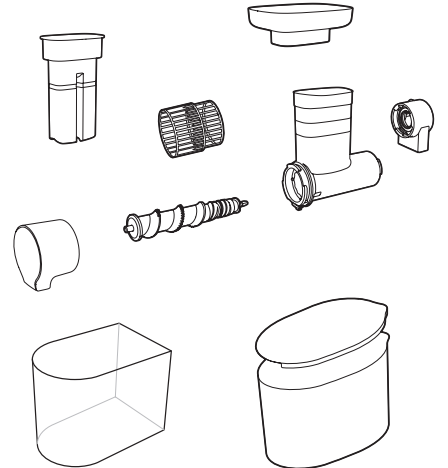
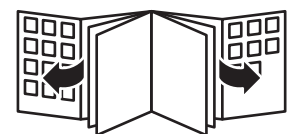
	✗	✗	✓
	✓	✓	✓



PHILIPS

HR1942, HR1943
HR1944, HR1945
HR1946, HR1947
HR1949



EN User manual

ET Kasutusjuhend

KK Қолданушының нұсқасы

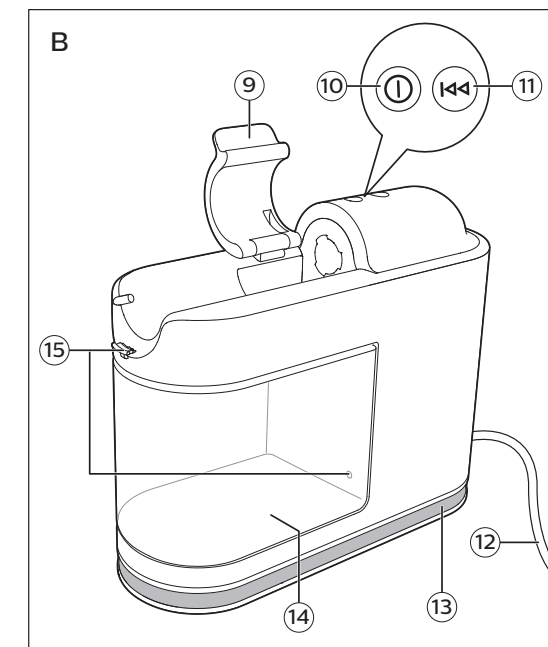
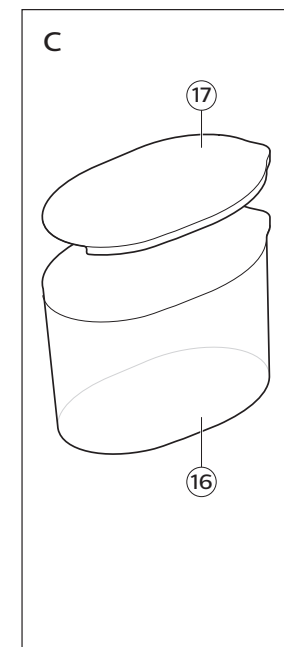
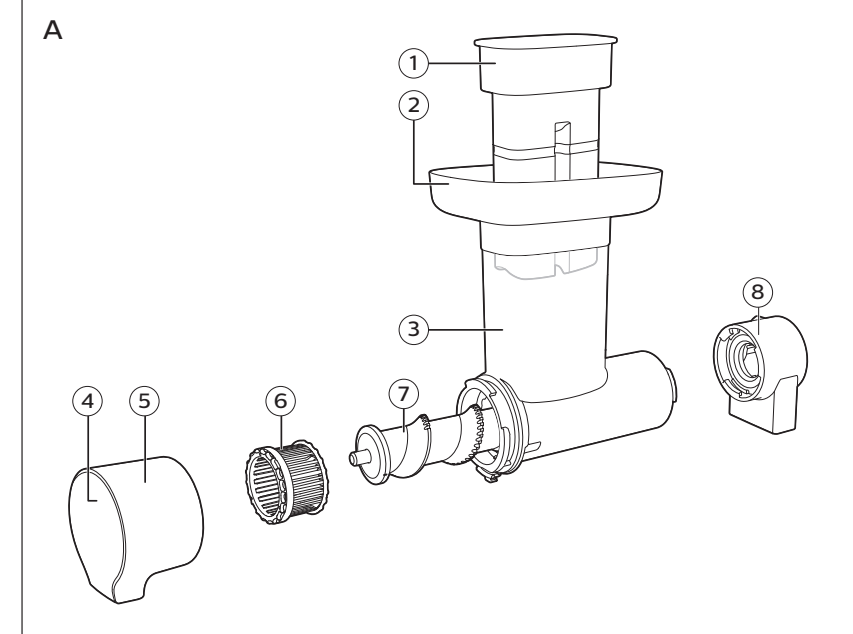
LT Vartotojo vadovas

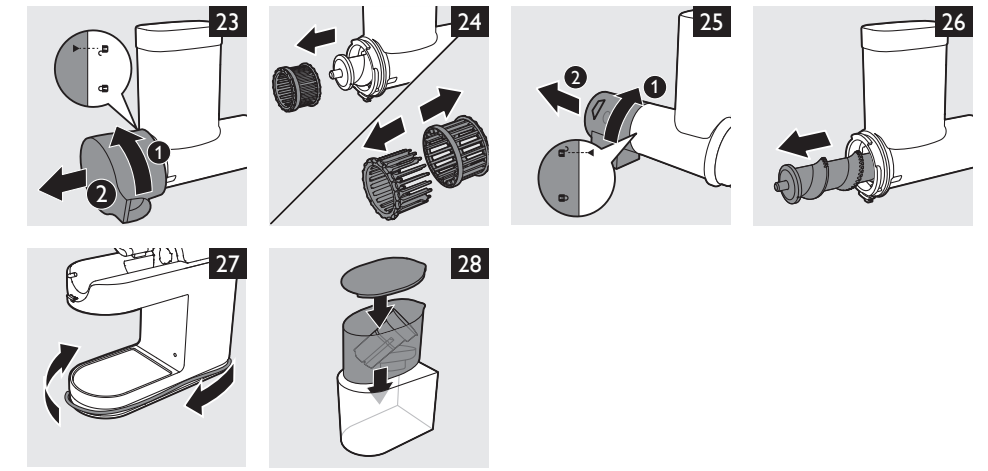
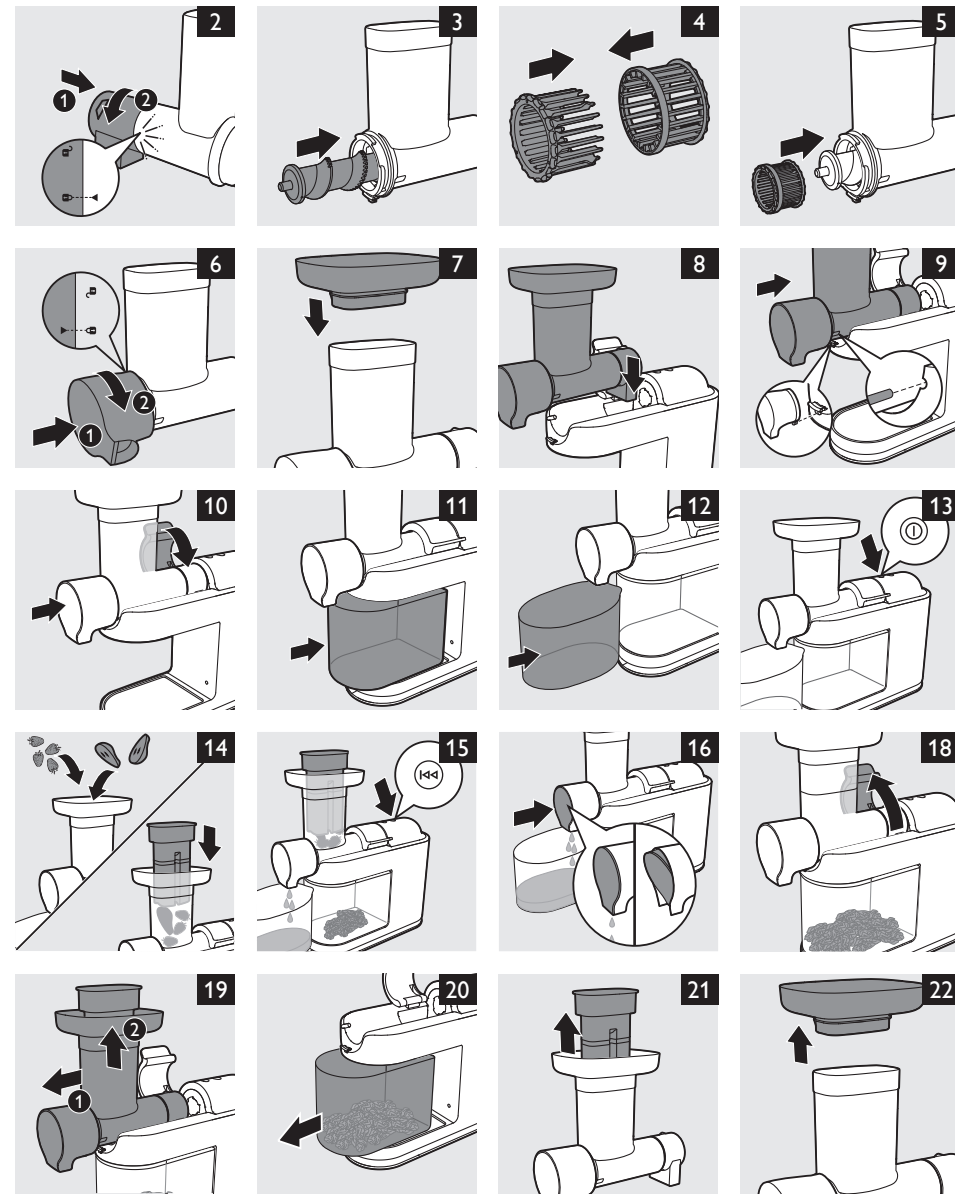
LV Lietotāja rokasgrāmata

PL Instrukcja obsługi

RU Руководство пользователя

UK Посібник користувача





HR1942, HR1943, HR1944, HR1945, HR1946, HR1947, HR1949

ENGLISH 6

EESTI 13

ҚАЗАҚША 19

LIETUVIŠKAI 26

LATVIEŠU 32

POLSKI 38

РУССКИЙ 45

УКРАЇНСЬКА 51

Introduction

Congratulations on your purchase and welcome to Philips! To fully benefit from the support that Philips offers, register your product at www.philips.com/welcome. This Philips Avance slow juicer helps you to get all the goodness of fruits and vegetables into your glass, so that you can enjoy tasty and healthy juices every day. Its innovative technology allows you to extract up to the maximum of fruits and vegetables and to quickly clean the appliance in less than 1 minute. The fully integrated design was developed to take up little space and to give you great results.

General description (Fig. 1)

A Juicing unit

- ① Pusher
- ② Berry tray
- ③ Feeding tube
- ④ Drip stop
- ⑤ Spout
- ⑥ Black two-part filter for clear juice*
- ⑦ Juicing screw
- ⑧ Pulp outlet

B Motor unit

- ⑨ Locking clamp
- ⑩ On/off button with power-on light
- ⑪ Reverse/Pre-clean button
- ⑫ Mains cord
- ⑬ Cord storage facility
- ⑭ Pulp container
- ⑮ Safety pins

C Jug (HR1942, HR1943, HR1944, HR1945, HR1947, HR1949 only)

- ⑯ Juice jug
- ⑰ Lid of juice jug

*Not shown: grey two-part filter for fibre juice (HR1942, HR1944, HR1946, HR1947, HR1949 only)

Important

Read this user manual carefully before you use the appliance and save it for future reference.

Danger

- Do not immerse the motor unit in water or any other liquid. Do not rinse it under the tap and do not clean it in the dishwasher.

Warning

- Check if the voltage indicated on the base of the appliance corresponds to the local mains voltage before you connect the appliance.
- Do not use the appliance if the plug, the mains cord or other parts are damaged. If the mains cord is damaged, you must have it replaced by Philips, a service centre authorised by Philips or similarly qualified persons in order to avoid a hazard.
- This appliance is intended for household use only. If the appliance is used improperly or for professional or semi-professional purposes or if it is not used according to the instructions in the user manual, the guarantee becomes invalid and Philips refuses any liability for damage caused.
- This appliance can be used by persons with reduced physical, sensory or mental capabilities or lack of experience and knowledge if they have been given supervision or instruction concerning use of the appliance in a safe way and if they understand the hazards involved.
- This appliance shall not be used by children. Keep the appliance and its cord out of the reach of children.
- Children shall not play with the appliance.
- Never reach into the feeding tube with your fingers or an object while the appliance is operating. Only use the pusher for this purpose.
- Always disconnect the appliance from the mains if you leave it unattended or before you assemble, disassemble or clean it.
- Always unwind the mains cord completely before you switch on the appliance.
- Never let the appliance operate unattended.

Caution

- Never use any accessories or parts from other manufacturers or that Philips does not specifically recommend. If you use such accessories or parts, your guarantee becomes invalid.
- Always place the appliance on a stable, level and horizontal surface.
- Do not use the appliance outdoors.
- Avoid contact with moving parts.
- Make sure all parts are assembled properly before you switch on the appliance.
- Only use the appliance when the locking clamp is in locked position.
- Only unlock the locking clamp after you have switched off the appliance and the juicing screw has stopped rotating.
- Do not remove the pulp container when the appliance is operating.
- Cut large ingredients into pieces that fit into the feeding tube. Remove stones, cores, seeds and thick peels from fruits or vegetables before juicing.
- Do not exert too much pressure on the pusher to avoid damage.
- Food colouring can discolour parts. This is normal and has no impact on the performance of the appliance.
- To optimise the lifetime of the appliance, do not use it continuously for more than 30 minutes.

Built-in safety lock

The appliance is equipped with a built-in safety lock. The safety pins on the motor unit ensure that you can only switch on the appliance if you have placed the juicing unit and the pulp container on the motor unit correctly.

Electromagnetic fields (EMF)

This Philips appliance complies with all applicable standards and regulations regarding exposure to electromagnetic fields.

Before first use

Thoroughly clean all parts before you use the appliance for the first time (see chapter 'Cleaning').

Note: Make sure all parts are completely dry before you start using the appliance.

Preparing for use

Assembling the juicing unit

- 1** Attach the pulp outlet to the juicing unit and turn it clockwise until the arrow (◀) points to the 'locked' indication. (Fig. 2)
- 2** Insert the juicing screw into the juicing unit (Fig. 3).
- 3** Assemble the two parts of the filter (Fig. 4).
- 4** Place the two-part filter over the juicing screw (Fig. 5).

Tip: Use the black two-part filter for clear juice. If you prefer cloudy juice with more fibres in it, use the grey two-part filter.

- 5** Attach the spout to the juicing unit and turn it clockwise until the arrow (◀) points to the 'locked' indication. (Fig. 6)

Important: Do not attach or detach the spout when the juicing unit is mounted on the motor unit. Always take off the juicing unit from the motor unit before assembling or disassembling.

- 6** Place the berry tray on the feeding tube (Fig. 7).

Placing the juicing unit onto the motor unit

- 1** Place the assembled juicing unit onto the motor unit, with the pulp outlet fitting into the opening on the motor unit (Fig. 8).
- 2** Align the projections on the juicing unit with the recesses in the motor unit. Slide the juicing unit onto the motor unit until it locks into place. (Fig. 9)
- 3** Press the juicing unit onto the motor unit (1) and then close the locking clamp (2). (Fig. 10)

Note: If the locking clamp cannot be closed, check if the juicing unit is positioned properly with the projections on the juicing unit into the recesses of the motor unit.

- 4** Slide the pulp container into the motor unit (Fig. 11).

Using the appliance

The appliance only functions if the juicing unit and the pulp outlet are assembled correctly and the locking clamp is locked properly.

- 1** Wash the fruit and/or vegetables. If necessary, cut them into pieces that fit into the feeding tube.

Note: Remove stones and thick peels of the fruits you would not eat, for example from oranges, pomegranates etc.

- 2** Place a jug or a glass under the spout (Fig. 12).
- 3** Press the on/off button to switch on the appliance (Fig. 13).

10 ENGLISH

- 4 Put the pieces of fruit or vegetables in the feeding tube and gently press them down towards the juicing screw with the pusher (Fig. 14).

Never insert your fingers or an object into the feeding tube or juicing unit.

- 5 When the juice flow has stopped, switch off the appliance and wait until the juicing screw has stopped rotating.
- 6 Press the pre-clean button to remove the last drops of juice from the juicing unit (Fig. 15).
- 7 To prevent juice from dripping onto the table, press the drip stop (Fig. 16).

Tips

- Use fresh fruit and vegetables, as they contain more juice. Pineapples, beetroots, celery stalks, apples, cucumbers, carrots, spinach, melons, tomatoes, pomegranates and grapes are particularly suitable for processing in the juicer.
- You do not have to remove thin peels or skins. Only remove peels which you would not eat, e.g. those of oranges, pineapples, kiwis, melons and uncooked beetroots.
- If you want to juice fruits with stones, such as peaches, plums or cherries, remove the stones before juicing.
- When you prepare apple juice, remember that the thickness of the apple juice depends on the kind of apple you use. The juicier the apple, the thinner the juice. Choose a kind of apple that produces the type of juice you prefer.
- Apple juice turns brown very quickly. To slow down this process, add a few drops of lemon juice.
- This juicer can handle starchy fruits such as bananas and mangoes. You can add milk or water directly through the feeding tube.
- Citrus fruits can also be processed with the juicer, remove the white pith of citrus fruits because it has a bitter taste.

Cleaning (Fig. 17)

- The appliance is easier to clean if you do so immediately after use. Look at the cleaning table to see how all parts can be cleaned.

Never use scouring pads, abrasive cleaning agents or aggressive liquids such as alcohol, petrol or acetone to clean the appliance.

Note: All detachable parts are dishwasher-safe and can be safely cleaned under the tap.

- 1 Switch off the appliance and remove the plug from the wall socket.
- 2 Open the locking clamp (Fig. 18).
- 3 Slide the juicing unit off the motor unit (Fig. 19).
- 4 Remove the pulp container from the motor unit (Fig. 20).
- 5 Empty the pulp container and rinse it under the tap.

Disassembling and cleaning the juicing unit

- 1 Remove the pusher from the feeding tube (Fig. 21).
- 2 Remove the berry tray from the feeding tube (Fig. 22).
- 3 Turn the juice collector anticlockwise until the arrow (◀) points to the 'open' indication and remove it from the juicing unit. (Fig. 23)

- 4 Remove the two-part filter and disassemble it (Fig. 24).
- 5 Turn the pulp outlet anticlockwise until the arrow (◀) points to the 'open' indication and remove it from the juicing unit. (Fig. 25)
- 6 Remove the juicing screw (Fig. 26).

Storage

- 1 Wind the mains cord around the cord storage facility in the base of the motor unit (Fig. 27).
- 2 You can store the juice jug and lid (HR1942, HR1943, HR1944, HR1945, HR1947, HR1949 only), and the berry tray in the pulp container (Fig. 28).

Recycling

- This symbol means that this product shall not be disposed of with normal household waste (2012/19/EU) (Fig. 29).
- Follow your country's rules for the separate collection of electrical and electronic products. Correct disposal helps prevent negative consequences for the environment and human health.

Ordering accessories

To buy accessories or spare parts, visit www.shop.philips.com/service or go to your Philips dealer. You can also contact the Philips Consumer Care Centre in your country.

Guarantee and support

If you need information or support, please visit www.philips.com/support or read the separate worldwide guarantee leaflet.

Troubleshooting

This chapter summarises the most common problems you could encounter with the appliance. If you are unable to solve the problem with the information below, visit www.philips.com/support for a list of frequently asked questions or contact the Consumer Care Centre in your country.

Problem	Solution
The appliance does not work.	The appliance is equipped with two safety pins. If either the juicing unit or the pulp container has not been placed on the motor unit properly, the appliance does not work. Check whether these parts have been assembled in the right way (see chapter 'Preparing for use').
The motor unit gives off an unpleasant smell the first few times the appliance is used.	This is not unusual. If the appliance continues to give off this smell after a few times, check the quantities you are processing and the processing time.

12 ENGLISH

Problem	Solution
The juicing unit cannot be placed onto the motor unit.	Check if the spout is properly attached to the juicing unit. Make sure that the projections on the juicing unit are aligned with the recesses in the motor unit (see fig. 9).
The juicing unit is blocked.	Press the pre-clean button for a few seconds. If the juicing unit is still blocked, then switch off the appliance, remove the juicing unit and disassemble all parts. Remove the fruit that is blocking the juicing unit. Then process a smaller quantity.
The power-on light flashes. (HR1942, HR1943, HR1944, HR1946, HR1947, HR1949 only)	The juicing unit is blocked. Press the pre-clean button for a few seconds. If the juicing unit is still blocked, then switch off the appliance, remove the juicing unit and disassemble all parts. Remove the fruit that is blocking the juicing unit. Then process a smaller quantity.

Sissejuhatus

Õnnitleme ostu puhul ja tere tulemast kasutama Philipsit! Philipsi tootete paremaks kasutamiseks registreerige oma toode saidil www.philips.com/welcome. See Philips Avance'i aeglane mahlapress aitab teil saada klaasi kõik puu- ja köögiviljade head omadused, et võiksite nautida maitsvaid ja tervislikke mahlu igapäevaselt. Selle uuenduslik tehnoloogia võimaldab teil pressida maksimumkoguses puu- ja köögivilju ning kiirpuhastada seadet vähem kui ühe minutiga. Täielikult integreeritav kujundus on välja töötatud selleks, et seade võtaks võimalikult vähe ruumi ja pakuks suurepäraseid tulemusi.

Üldine kirjeldus (Jn 1)

A Mahla pressimise moodul

- ① Tõukur
- ② Marjaalus
- ③ Sisestamistoru
- ④ Tilgalukk
- ⑤ Tila
- ⑥ Musta värvi kaheosaline filter selge mahla tegemiseks*
- ⑦ Mahlapressimiskruvi
- ⑧ Viljaliha väljalaskeava

B Mootor

- ⑨ Lukustusklamber
- ⑩ Sisse-väljalülitamise nupp koos sisselülitatud toite märgutulega
- ⑪ Tagasi liikumise/eelpuhastamise nupp
- ⑫ Toitejuhe
- ⑬ Juhtmehoidik
- ⑭ Viljaliha nõu
- ⑮ Ohutusklambrid

C Kann (HR1942, HR1943, HR1944, HR1945, HR1947, HR1949 ainult)

- ⑯ Mahlakann
- ⑰ Mahlakannu kaas

*Pole näidatud: halli värvi kaheosaline filter kiude sisaldava mahla tegemiseks (HR1942, HR1944, HR1946, HR1947, HR1949 ainult)

Tähtis

Enne seadme kasutamist lugege seda kasutusjuhendit hoolikalt ja hoidke see edaspidiseks alles.

Oht

- Ärge kastke mootorit vette või muudesse vedelikesse. Ärge loputage seda kraani all ega peske nõudepesumasinas.

Hoiaatus

- Enne seadme sisselülitamist kontrollige, kas seadme alusele märgitud pinge vastab vooluvõrgu omale.
- Ärge kasutage seadet, kui selle pistik, toitejuhe või muud osad on kahjustatud. Kui toitejuhe on kahjustatud, tuleb

lasta see ohu vältimiseks Philipsis, Philipsi volitatud hoolduskeskuses või samaväärset kvalifikatsiooni omavatel isikutel välja vahetada.

- Seda seadet saab kasutada ainult kodus majapidamises. Seadme väärkasutusel, kasutamisel professionaalsel või poolprofessionaalsel eesmärgil, aga ka siis kui seadet ei kasutata kasutusjuhendile vastavalt, kaotab garantii kehtivuse, kusjuures Philips ei võta endale vastutust põhjustatud kahjustuste eest.
- Seda seadet võivad kasutada füüsilise, meelega- või vaimse puudega isikud või isikud, kellel puuduvad kogemused ja teadmised, kui neid valvatakse või neile on antud juhendid seadme ohutu kasutamise kohta ja nad mõistavad sellega seotud ohte.
- Lapsed ei tohi seadet kasutada. Hoidke seade ja toitejuhe väljaspool laste käeulatus.
- Lapsed ei tohi seadmega mängida.
- Ärge toppige oma sõrmi või esemeid seadme töötamise ajal sisestamistorusse. Selleks kasutage üksnes tükurit.
- Enne seadme järelvalveta jätmist või enne selle kokkupanekut, lahtivõtmist või puhastamist võtke seade elektrivõrgust välja.
- Enne seadme sisselülitamist kerige toitejuhe alati täiesti lahti.
- Ärge kunagi jätke töötavat seadet järelvalveta.

Ettevaatust

- Ärge kunagi kasutage teiste tootjate poolt tehtud tarvikuid või osi, mida firma Philips ei ole eriliselt soovitanud. Kui kasutate selliseid tarvikuid või osi, siis muutub seadme garantii kehtetuks.
- Pange seade alati kindlale, tasasele ja horisontaalsele pinnale.
- Seade ei ole mõeldud õues kasutamiseks.
- Vältige kokkupuudet liikuvate osadega.
- Enne seadme sisselülitamist kontrollige, kas kõik osad on korralikult külge kinnitatud.
- Kasutage seadet ainult siis, kui lukustusklamber on lukustatud asendis.

- Lukustusklambri võite ainult pärast seda avada, kui olete seadme välja lülitanud ja pressimiskruvi on pöörlemise lõpetanud.
- Ärge eemaldage viljaliha nõu, kui seade töötab.
- Lõigake suured koostisained tükkideks, mis mahuksid sisestamistorusse. Enne mahla pressimist eemaldage puu- ja köögiviljadelt kivid, südamikud, seemned ja paks koor.
- Vigastuste vältimiseks ärge vajutage tõukurile liiga tugevasti.
- Toiduvärvid võivad osade värvi muuta. See on normaalne ega mõjuta seadme jõudlust.
- Seadme tööea optimeerimiseks ärge kasutage seda kauem kui 30 minutit järjest.
- Müratase: $L_c = 78 \text{ dB (A)}$

Sisseehitatud ohutuslukk

Seade on varustatud sisseehitatud turvalukuga. Mootoriosal olevad turvapoldid tagavad, et saate seadet sisse lülitada üksnes siis, kui olete mahlapressimistarviku ja viljalihanõu õigesti mootoriosale paigaldanud.

Elektromagnetväljad (EMF)

See Philipsi seade vastab kõikidele kokkupuudet elektromagnetiliste väljadega käsitlevatele kohaldatavatele standarditele ja õigusnormidele.

Enne esimest kasutamist

Puhastage põhjalikult kõik osad enne seadme esmakordset kasutamist (vt peatükk „Puhastamine“).

Märkus: Enne seadme kasutamist veenduge, et kõik osad on täiesti kuivad.

Kasutamiseks valmistumine

Mahla pressimise mooduli kokkupanek

- 1** Ühendage viljaliha väljalaskeava mahla pressimise mooduli külge ja keerake seda päripäeva, kuni nool (↖) on kohakuti märgisega „Locked (lukus)”. (Jn 2)
- 2** Pange pressimiskruvi mahla pressimise moodulisse (joonis 3).
- 3** Pange kokku filtri kaks osa (Jn 4).
- 4** Asetage kaheosaline filter pressimiskruvi kohale (Jn 5).

Nõuanne. Selge mahla tegemiseks kasutage musta värvi kaheosalist filtrit. Kui eelistate hägust mahla, milles on rohkem kiude, kasutage halli värvi kaheosalist filtrit.

- 5** Ühendage tila mahla pressimise mooduli külge ja keerake seda päripäeva, kuni nool (↖) on kohakuti märgisega „Locked (lukus)”. (Jn 6)

Tähtis: ärge kinnitage ega eemaldage tila, kui mahlapressimistarvik on paigaldatud mootori külge. Eemaldage mahlapressimistarvik alati mootori küljest enne seadme kokkupanemist või lahtivõtmist.

- 6** Asetage marjaalus sisestamistoru külge (Jn 7).

Mahla pressimise mooduli mootori mooduli külge paigaldamine

- 1** Paigaldage kokkupandud mahla pressimise moodul mootori mooduli külge, nii et viljaliha väljalaskeava mahub mootori mooduli avasse (Jn 8).
- 2** Sättige mahla pressimise mooduli eendid mootori moodulis olevatesse soontesse. Libistage mahla pressimise moodul mootori mooduli külge, kuni see oma kohale lukustub. (Jn 9)
- 3** Vajutage mahla pressimise moodul mootori mooduli (1) külge ja seejärel sulgege lukustusklamber (2). (Jn 10)

Märkus: Kui lukustusklambrit ei saa sulgeda, kontrollige, kas mahla pressimise moodul on korralikult paigaldatud, nii et mahla pressimise mooduli eendid on mootori mooduli soontes.

- 4** Lükake viljaliha nõu mootori mooduli külge (Jn 11).

Seadme kasutamine

Seade töötab üksnes siis, kui mahla pressimise moodul ja viljaliha väljalaskeava on korralikult külge kinnitatud ja lukustusklamber on korralikult lukustatud.

- 1** Peske puu- ja/või köögiviljad puhtaks. Vajadusel lõigake need tükkideks, mis mahuvad sisestamistorusse.

Märkus. Eemaldage puuviljadelt kivid ja paks koor, mis ei ole söödav, näiteks apelsinidelt, granaatõunalt jne.

- 2** Pange kann või klaas tila alla (Jn 12).
- 3** Seadme sisselülitamiseks vajutage sisse-välja lülitamise nuppu (Jn 13).
- 4** Pange puu- või köögiviljad sisestamistorusse ja lükake neid tõukuriga õrnalt pressimiskruvi poole (Jn 14).

Ärge kunagi toppige oma näppe või esemeid sisestamistorusse või mahla pressimise moodulisse.

- 5** Kui mahla vool on peatunud, lülitage seade välja ja oodake, kuni pressimiskruvi lõpetab pöörlemise.
- 6** Mahla pressimise moodulist viimaste mahlapiiskade eemaldamiseks vajutage eelpuhastamise nuppu (Jn 15).
- 7** Mahla lauale tilkumise vältimiseks vajutage tilgalukku (Jn 16).

Näpunäiteid

- Kasutage värskeid puu- ja köögivilju, sest need on mahlasemad. Ananassid, punapeedid, sellerivarred, õunad, kurgid, porgandid, spinat, melonid, tomatid, granaatõunad ja viinamarjad on mahlapressis töötlemiseks iseäranis sobivad.
- Ohukest nahka või koort ei pea eemaldama. Eemaldage ainult koor, mida te ei söö, nt apelsinide, ananasside, kiivide, melonite ja keetmata punapeetide koor.
- Kui soovite valmistada mahla puuviljadest, milles on kivid, näiteks virsikutest, ploomidest või kirssidest, eemaldage kivid enne mahla valmistamist.
- Õunamahla valmistamisel pidage silmas, et õunamahla paksus sõltub töödeldavate õunte sordist. Mida mahlasem õun, seda vedelam mahl. Valige mahla valmistamiseks õunasordid, mis vastavad teie mahlaeelustustele.
- Õunamahl muutub kiiresti pruuniks. Seda protsessi võite aeglustada, tilgutades mahla sisse mõni tilk sidrunimahla.
- Selle mahlapressiga saab töödelda tärglist sisaldavaid puuvilju nagu banaaniid ja mangod. Võite lisada piima või vett otse läbi sisestamistoru.
- Mahlapressiga saab töödelda ka tsitrusvilju. Eemaldage tsitrusviljade valge säsi, sest see annab mahlale mõru maitse.

Puhastamine (Jn 17)

- Seadet on kergem puhastada kohe pärast kasutamist. Vaadake puhastustabelist, kuidas kõiki osasid puhastatakse.

Ärge kunagi kasutage seadme puhastamiseks küürimiskäsna, abrasiivseid puhastusvahendeid ega ka agressiivseid vedelikke nagu bensiini või atsetooni.

Märkus: Kõiki eemaldatavaid osi võib pesta nõudepesumasinas ja neid võib ohutult puhastada voolava vee all.

- 1 Lülitage seade välja ja eemaldage pistik seinakontaktist.
- 2 Avage lukustusklamber (Jn 18).
- 3 Libistage mahla pressimise moodul mootori mooduli küljest ära (Jn 19).
- 4 Eemaldage viljaliha nõu mootori mooduli küljest (Jn 20).
- 5 Tühjendage viljaliha nõu ja loputage seda kraani all.
Mahla pressimise mooduli lahtivõtmine ja puhastamine

- 1 Eemaldage tõukur sisestamistorust (Jn 21).
- 2 Eemaldage marjaalus sisestamistoru küljest (Jn 22).
- 3 Keerake tila vastupäeva, kuni nool (◄) on kohakuti märgisega „Open (avatud)” ja eemaldage see mahla pressimise mooduli küljest. (Jn 23)
- 4 Eemaldage kaheosaline filter ja võtke see lahti (Jn 24).
- 5 Keerake viljaliha väljalaskeava vastupäeva, kuni nool (◄) on kohakuti märgisega „Open (avatud)” ja eemaldage see mahla pressimise mooduli küljest. (Jn 25)
- 6 Eemaldage pressimiskruvi. (joonis 26).

Hoiundamine

- 1 Kerige toitejuhe mootori alusel oleva juhtmehoidiku ümber (Jn 27).
- 2 Mahlakannu ja selle kaant (HR1942, HR1943, HR1944, HR1945, HR1947, HR1949 ainult) ning marjaalust saate hoiustada viljaliha nõus (joonis 28).

Ringlussevõtt

- See sümbol tähendab, et seda toodet ei tohi visata tavaliste olmejäätmete hulka (2012/19/EL) (Jn 29).
- Järgige elektriliste ja elektrooniliste toodete lahuskogumise kohalikke eeskirju. Õigel viisil kasutusest kõrvaldamine aitab ära hoida võimalikke kahjulikke tagajärgi keskkonnale ja inimese tervisele.

Tarvikute tellimine

Tarvikute või varuosade ostmiseks külastage veebilehte

www.shop.philips.com/service või pöörduge oma Philipsi edasimüüja poole. Samuti võite ühendust võtta oma riigi Philipsi klienditeeninduskeskusega.

Garantii ja tugi

Kui vajate teavet või abi, külastage Philipsi veebilehte **www.philips.com/support** või lugege läbi üleilmne garantileht.

Veaotsing

Selles peatükis võetakse kokku kõige levinumad probleemid, mis seadmega juhtuda võivad. Kui te ei suuda alljärgneva teabe abil ise probleemi lahendada, külastage veebilehte **www.philips.com/support**, kus on loetelu korduma kippuvatest küsimustest, või võtke ühendust oma riigi klienditeeninduskeskusega.

Probleem	Lahendus
Seade ei tööta.	Seade on varustatud kahe turvapoldiga. Kui mahlapressimistarvik või viljalihanõu ei ole mootoriosale õigesti paigaldatud, ei hakka seade tööle. Kontrollige, kas need osad on õigesti paigaldatud (vt peatükk "Kasutamiseks valmistumine").
Esimestel seadme kasutuskordadel tuleb mootorist ebameeldivat lõhna.	See pole ebatavaline. Kui mõne aja pärast tuleb seadmest ikka veel suitsu, siis kontrollige töödeldavate ainete hulka ja töötlemisaega.
Mahla pressimise moodulit ei saa korralikult mootori mooduli külge kinnitada.	Kontrollige, kas tila on korralikult mahla pressimise mooduli külge kinnitatud. Veenduge, et mahla pressimise mooduli eendid on kohakuti mootori mooduli soontega (vt joon. 9).
Mahla pressimise moodul on ummistunud.	Vajutage eelpuhastamise nuppu mõne sekundi vältel. Kui mahla pressimise moodul on ikka ummistunud, lülitage seade välja, eemaldage mahla pressimise moodul ja võtke kõik osad lahti. Eemaldage mahla pressimise moodulit ummistavad puuviljad. Seejärel töödelge väikeste portsude kaupa.
Toite märgutuli vilgub (üksnes mudelid HR1942, HR1943, HR1944, HR1946, HR1947, HR1949).	Mahla pressimise moodul on ummistunud. Vajutage eelpuhastamise nuppu mõne sekundi vältel. Kui mahla pressimise moodul on ikka ummistunud, lülitage seade välja, eemaldage mahla pressimise moodul ja võtke kõik osad lahti. Eemaldage mahla pressimise moodulit ummistavad puuviljad. Seejärel töödelge väikeste portsude kaupa.

Кіріспе

Өнімді сатып алуыңызбен құттықтаймыз және Philips компаниясына қош келдіңіз! Philips компаниясы ұсынатын қолдауды толығымен пайдалану үшін өніміңізді www.philips.com/welcome веб-бетінде тіркеңіз.

Бұл Philips Avance баяу шырын сыққышы сізге жемістер мен көкөністердің бүкіл пайдасын стаканға алуға көмектеседі, осылайша, сіз күнде дәмді және пайдалы шырындарды іше аласыз. Оның инновациялық технологиясы жемістер мен көкөністерден мүмкіндігінше көп шырынды сығуға және құрылғыны 1 минуттан азырақ уақытта жылдам тазалауға мүмкіндік береді. Толығымен біріктірілген дизайн аз орын алу және сізге тамаша нәтижелер беру үшін әзірленген.

Жалпы сипаттама (Сурет 1)**A Шырын сығу құрылғысы**

- ① Итергіш
- ② Жидек науасы
- ③ Азық салатын түтік
- ④ Тамуды тоқтатқыш
- ⑤ Шүмек
- ⑥ Таза шырынға арналған қара екі бөлікті сүзгі*
- ⑦ Шырын сығу бұрандасы
- ⑧ Балдыр шығысы

B Мотор бөлігі

- ⑨ Құлыптау қысқышы
- ⑩ Тоққа қосылғандығын білдіретін жарығы бар қосу/өшіру түймесі
- ⑪ Кері/Алдын ала тазалау түймесі
- ⑫ Желілік сым
- ⑬ Сымды сақтау құралы
- ⑭ Балдыр контейнері
- ⑮ Қауіпсіздік істіктері

C Құмыра (тек HR1942, HR1943, HR1944, HR1945, HR1947, HR1949)

- ⑯ Шырын құмырасы
- ⑰ Шырын құмырасының қақпағы

*Көрсетілмеген: талшық шырынына арналған сұр екі бөлікті сүзгі (тек HR1942, HR1944, HR1946, HR1947, HR1949)

Маңызды

Құралды қолданбас бұрын, осы пайдаланушы нұсқаулығын мұқият оқып шығып, болашақта анықтамалық құрал ретінде пайдалану үшін сақтап қойыңыз.

Қауіпті жағдайлар

- Қозғалтқыш блогын суға немесе кез келген басқа сұйықтыққа батырмаңыз. Оны шүмек астында шаймаңыз және ыдыс жуғыш машинада тазаламаңыз.

Абайлаңыз!

- Құрылғыны қосар алдында, оның негізінде көрсетілген кернеу жергілікті кернеу мөлшеріне сәйкес келетінін тексеріп алыңыз.
- Ашасы, желілік сымы немесе басқа бөліктер зақымдалған болса, құрылғыны пайдаланбаңыз. Желілік сымы зақымдалса, қауіпсіз болу үшін оны Philips компаниясында, Philips өкілеттік берген қызмет көрсету орталығында немесе тиісті кәсіби біліктілігі бар мамандар ғана ауыстыру керек.
- Бұл құрал тек үйде қолдануға арналған. Құрал дұрыс пайдаланылмаған немесе кәсіби не жартылай кәсіби мақсатта қолданылған болса, сондай-ақ, нұсқаулықта көрсетілгендей қолданбаса, кепілдік жарамсыз болады және Philips компаниясы ешбір зақымға жауапты болмайды.
- Құралды қауіпсіз пайдалану жөніндегі нұсқаулар беріліп, басқа біреу қадағалаған және құралды пайдалануға қатысты қауіп-қатерлер түсіндірілген жағдайда, осы құралды физикалық, сезу немесе ойлау қабілеті шектеулі, білімі мен тәжірибесі аз адамдар пайдалана алады.
- Бұл құралды балалардың пайдалануына болмайды. Құралды және сымды балалар жетпейтін жерде сақтаңыз.
- Балалар құралмен ойнамауы керек.
- Құрылғы жұмыс істеп тұрған кезде, еш уақытта азық салатын түтікке саусақтарыңызды немесе басқа затты салмаңыз. Ол үшін тек итергішті қолданыңыз.
- Қараусыз қалдырсаңыз немесе жинау, бөлшектеу немесе тазалау алдында әрқашан құрылғыны желіден ажыратыңыз.
- Құрылғыны қоспай тұрып әрқашан желілік сымды толығымен тарқатыңыз.

- Құралды қадағалаусыз қосып қоюға болмайды.

Абайлаңыз

- Philips арнайы ұсынбаған немесе Philips компаниясынан басқа өндірушілер шығарған қосалқы құралдарды немесе бөлшектерді қолдануға болмайды. Қолданған жағдайда, өнімнің кепілдігі өз күшін жояды.
- Құрылғыны әрдайым тұрақты, тегіс жерге орнату қажет.
- Құрылғыны сыртта пайдаланбаңыз.
- Қозғалатын бөліктерге тиюді болдырмаңыз.
- Құрылғыны қоспас бұрын барлық бөлшектердің дұрыс жиналғанын тексеріңіз.
- Құрылғыны бекіту тетігі бекітулі тұрғанда ғана пайдалану керек.
- Құрылғыны тек сіз оны сөндіргеннен соң және шырын сығу бұрандасы айналғанын тоқтатқанда ғана бекіту тетігін ашыңыз.
- Қабықтарды жинайтын контейнерді құрал жұмыс істеп тұрғанда алуға болмайды.
- Үлкен ингредиенттерді азық салатын түтікке сыятын бөліктерге кесіңіз. Шырын сығу алдында жемістерден немесе көкөністерден сүйектерді, өзектерді, дәнектерді және қалың қабықтарды алыңыз.
- Зақымдалуын болдырмау үшін итергішке тым көп қысым түсірмеңіз.
- Тамақ түсі бөліктерді өңсіздендіруі мүмкін. Бұл қалыпты және құрылғының жұмысына әсер етпейді.
- Құрылғының қызмет көрсету мерзімін оңтайландыру үшін 30 минуттан көбірек үздіксіз пайдаланбаңыз.
- Шу деңгейі: $L_c = 78$ дБ (А).

Ішіне орнатылған қауіпсіздік құлпы

Құралдың ішіне қауіпсіздік құлпы орнатылған. Мотор бөлігіндегі қауіпсіздік тетіктерінің арқасында, тек шырын сыққыш бөлік пен қалдық контейнері мотор бөлігіне дұрыс орнатылған кезде ғана құрылғыны қоса аласыз.

Электромагниттік өрістер (ЭМӨ)

Осы Philips құрылғысы электромагниттік өрістерге қатысты барлық қолданыстағы стандарттар мен ережелерге сәйкес келеді.

Бірінші рет пайдалану алдында

Құрылғыны алғаш қолданғанда алдымен барлық бөлшектерді мұқият тазалаңыз («Тазалау» тарауын қараңыз).

Ескертпе. Құрылғыны пайдалануды бастамастан бұрын барлық бөлшектердің толығымен кепкенін тексеріңіз.

Пайдалануға дайындау

Шырын сығу блогын жинау

- 1 Балдыр шығысын шырын сығу блогына бекітіңіз және көрсеткі (◀) «құлыпталған» көрсеткішін көрсеткенше сағат тілімен бұрыңыз (Сурет 2).
- 2 Шырын сығу бұрандасын шырын сығу блогына салыңыз (Сурет 3).
- 3 Сүзгінің екі бөлігін жинаңыз (Сурет 4).
- 4 Екі бөлікті сүзгіні шырын сығу бұрандасының үстіне қойыңыз (Сурет 5).

Кеңес: Қара екі бөлікті сүзгіні таза шырын үшін пайдаланыңыз. Егер ішінде талшықтар көбірек, тұнбалы шырынды жөн көрсеңіз, сұр екі бөлікті сүзгіні пайдаланыңыз.

- 5 Шүмекті шырын сығу блогына бекітіңіз және көрсеткі (◀) «құлыпталған» көрсеткішіне нұсқағанша сағат тілімен бұрыңыз. (Сурет 6)

Маңызды: шырын сығу бөлігі мотор бөлігіне орнатылғанда шүмекті тіркемеңіз немесе алып тастамаңыз. Құрастырудан немесе бұзудан бұрын шырын сығу бөлігін мотор бөлігінен әрқашан алып тастаңыз.

- 6 Жидек наусын азық салатын түтікке қойыңыз (Сурет 7).

Шырын сығу блогын қозғалтқыш блогына қою

- 1 Балдыр шығысын қозғалтқыш блогының саңылауына орнатып, жиналған шырын сығу блогын қозғалтқыш блогына қойыңыз (Сурет 8).
- 2 Шырын сығу блогындағы шығыңқы бөліктерді қозғалтқыш блогындағы ойықтармен туралаңыз. Шырын сығу блогын қозғалтқыш блогына орнында құлыпталғанша сырғытыңыз. (Сурет 9)
- 3 Шырын сығу блогын қозғалтқыш блогына басыңыз (1), содан кейін бекіту тетігін жабыңыз (2). (Сурет 10)

Ескертпе. Егер бекіту тетігін жабу мүмкін болмаса, шыры сығу блогының шығыңқы жерлері қозғалтқыш блогының ойықтарында болып, шырын сығу блогы дұрыс орналастырылғанын тексеріңіз.

- 4 Балдыр контейнерін қозғалтқыш блогына сырғытыңыз (Сурет 11).

Құрылғыны пайдалану

Құрылғы шырын сығу блогы және балдыр шығысы дұрыс жиналған және бекіту тетігі дұрыс бекітілген болса ғана жұмыс істейді.

- 1 Жеміс-жидек не көкөністерді жуып, қажет болса, азық салатын түтікке сыятындай етіп тураңыз да, түтікке салыңыз.

Ескертпе: Жемістерден өзіңіз жемейтін сүйектер мен қалың қабықты алып тастаңыз, мысалы, апельсин, анар, т. б. жемістерден.

- 2 Құмыраны немесе стаканды шүмектің астына қойыңыз (Сурет 12).
- 3 Құрылғыны қосу үшін, қосу/өшіру түймесін басыңыз (Сурет 13).
- 4 Жеміс-жидекті және/немесе көкөністі азық салатын түтікке салып, итергішпен ақырындап шырын сығатын бұрандаға қарай итеріңіз (Сурет 14).

Азық салатын түтікке немесе шырын сығатын бөлікке ешқашан саусағыңызды немесе басқа заттарды салмаңыз.

- 5** Шырын ағып болған кезде, құрылғыны өшіріп, шырын сығатын бұранда айналуын тоқтатқанға дейін күтіңіз.
- 6** Шырын сығатын бөліктен соңғы тамшыларды ағызу үшін алдын-ала тазалау түймесін басыңыз (Сурет 15).
- 7** Үстелдің үстіне шырын тамып кетпеу үшін, тамуды тоқтату түймесін басыңыз (Сурет 16).

Кеңестер

- Шырыны көбірек болатындықтан, жас жеміс-жидектер мен көкөністерді қолданған дұрыс. Әсіресе, ананас, қызылша, сельдерей жапырақтары, алма, қияр, сәбіз, саумалдық, қауын, қызанақ, анар және жүзім шырынын алған қолайлы.
- Жұқа қабықтарды аршудың қажеті жоқ. Тек жеуге жарамсыз қалың қабықтарды, мысалы, апельсин, ананас, киви, қауын және пісірілмеген қызылша қабықтарын аршыңыз.
- Сүйегі бар жемістерден, мысалы шабдалы, өрік не шиеден шырын алғыңыз келсе, алдымен сүйектерін алып тастаңыз.
- Алма шырынын дайындағанда, алма шырынының қоюлығы қолданып жатқан алманың түріне байланысты болатыны есте сақтаңыз. Алма шырынды болса, шырын қоюырақ болады. Өзіңізге ұнайтын шырын шығаратын алма түрін таңдаңыз.
- Алма шырыны тез арада қоңырланып кетеді. Тез қоңырланбауы үшін, лимон шырынының бірнеше тамшысын қосыңыз.
- Бұл шырын сыққыш банан не манго секілді крахмалды жемістерді сыға алады.
- Сүт немесе суды тікелей азық салатын түтікке құя аласыз.
- Цитрус жемістерін де шырын сыққышпен сыға аласыз. Цитрус жемістерінің ақ жұмсағын алып тастаңыз, себебі оның ащы дәмі болады.

Тазалау (Сурет 17)

- Бұл құрылғының пайдаланғаннан кейін бірден жусаңыз, оңайырақ болады. Барлық бөлшектері қалай тазаланатынын көру үшін, тазалау кестесін қараңыз.

Құралды тазалағанда, қыратын шүберектерді, қырғыш тазалау құралдарын, спирт, жанармай немесе ацетон тәріздес сұйықтықтарды қолданбаңыз.

Ескертпе. Барлық ажыратылатын бөліктерді ыдыс жуғыш машинада және ағын су астында қауіпсіз жууға болады.

- 1** Құрылғыны өшіріп, розеткадан ажыратыңыз.
- 2** Қыстырғышты ашыңыз (Сурет 18).
- 3** Шырын сығатын бөлікті мотор бөлігінен алыңыз (Сурет 19).
- 4** Балдыр контейнерін мотор бөлігінен алыңыз (Сурет 20).
- 5** Балдыр контейнерін босатып, оны ағын су астында шайыңыз.

Шырын сығатын бөлікті бөлшектеу және тазалау

- 1** Итергішті азық салатын түтіктен алыңыз (Сурет 21).
- 2** Жеміс табағын азық салатын түтіктен алыңыз (Сурет 22).
- 3** Шырын жинағышты сағат тіліне қарсы, көрсеткі (◀) «ашық» сөзіне көрсеткенше бұрып, оны шырын сығатын бөліктен алыңыз. (Сурет 23)
- 4** Екі бөлікті сүзгішті алып, оны бөлшектеңіз (Сурет 24).
- 5** Балдыр шығаратын шүмекті сағат тіліне қарсы, көрсеткі (◀) «ашық» сөзін көрсеткенше бұрып, оны шырын сығатын бөліктен алыңыз. (Сурет 25)
- 6** Шырын сығатын бұранданы алыңыз (Сурет. 26).

24 ҚАЗАҚША

Сақтау

- 1 Қуат сымын мотордың төменгі жағындағы сым сақтау бөлімінің айналасына ораныңыз (Сурет 27).
- 2 Шырын құмырасы мен қақпағын (тек HR1942, HR1943, HR1944, HR1945, HR1947, HR1949) және жидек науасын балдыр контейнерінде сақтауыңызға болады (Сурет 28).

Қайта өңдеу

- Бұл таңба осы өнімді қалыпты тұрмыстық қалдықпен тастауға болмайтынын білдіреді (2012/19/EU). (Сурет 29).
- Электр және электрондық өнімдердің қалдықтарын бөлек жинау жөніндегі еліңіздің ережелерін сақтаңыз. Қоқысқа дұрыс тастау қоршаған ортаға және адам денсаулығына тиетін зиянды әсерлердің алдын алуға көмектеседі.

Қосалқы құралдарға тапсырыс беру

Қосалқы құралдар немесе қосалқы бөлшектер сатып алу үшін, www.shop.philips.com/service сайтына кіріңіз немесе Philips дилеріне барыңыз. Сондай-ақ, еліңіздегі Philips тұтынушыларды қолдау орталығына хабарласуға болады.

Кепілдік және қолдау

Егер сізге ақпарат немесе қолдау қажет болса, www.philips.com/support сайтына кіріңіз немесе бөлек дүниежүзілік кепілдік парақшасын оқыңыз.

Ақаулықтарды жою

Бұл тарауда құрылғыда ең жиі кездесетін мәселелер жинақталған. Төмендегі ақпараттың көмегімен мәселені шеше алмасаңыз, жиі қойылатын сұрақтар тізімін көру үшін www.philips.com/support торабына кіріңіз немесе еліңіздегі Тұтынушыларды қолдау орталығына хабарласыңыз.

Мәселе

Шешім

Құрал жұмыс істемейді.

Құрылғы екі қауіпсіздік тетігімен жабдықталған. Егер шырын сыққыш бөлік не қалдық контейнері мотор бөлігіне дұрыс орнатылмаса, онда құрылғы жұмыс істемейді. Бұл бөліктердің дұрыс жиналғанын тексеріңіз («Пайдалануға дайындау» бөлімін қараңыз).

Мотордан алғашқы бірнеше рет қолданған кезінде жаман иіс шығады.

Бұл нормалы нәрсе. Егер бірнеше рет қолданғаннан кейін де иіс кетпесе, сығып жатқан тағамдар көлемін және сығу уақытын тексеріңіз.

Шырын сығатын бөлік мотор бөлігінің үстіне қойылмайды.

Шүмек шырын сығатын бөлікке дұрыс бекітілгенін тексеріңіз. Шырын сығатын бөліктегі шығыңқы жерлер мотор бөлігіндегі ойықтармен сәйкес келетініне көз жеткізіңіз (9-суретті қараңыз).

Шырын сығатын бөлік бітеліп қалды.

Алдын-ала тазалау түймесін бірнеше секунд бойы басыңыз. Егер шырын сығатын бөлік әлі бітеліп тұрса, онда құрылғыны өшіріп, шырын сығатын бөлікті алып, барлық бөліктерді бөлшектеніңіз. Шырын сығатын бөлікке бітелген жемісті алыңыз. Одан кейін аз мөлшермен жалғастырыңыз.

Мәселе

Шешім

Қуат қосұлы шамы жыпылықтайды (тек HR1942, HR1943, HR1944, HR1946, HR1947, HR1949).

Шырын сығатын бөлік бітеліп қалды. Алдын-ала тазалау түймесін бірнеше секунд бойы басыңыз. Егер шырын сығатын бөлік әлі бітеліп тұрса, онда құрылғыны өшіріп, шырын сығатын бөлікті алып, барлық бөліктерді бөлшектеңіз. Шырын сығатын бөлікке бітелген жемісті алыңыз. Одан кейін аз мөлшермен жалғастырыңыз.

Шырын сыққыш

Өндіруші: "Филипс Консьюмер Лайфстайл Б.В.", Туссендиен 4, 9206 АД, Драхтен, Нидерланды

Ресей және Кеңестік Одақ территориясына импорттаушы: "ФИЛИПС" ЖШҚ, Ресей Федерациясы, 123022 Мәскеу қаласы, Сергей Макеев көшесі, 13-үй, тел. +7 495 961-1111 220-240V, 50-60Hz, 200W

Тұрмыстық қажеттіліктерге арналған

Įvadas

Sveikiname įsigijus gaminį ir sveiki atvykę į „Philips“ svetainę! Jei norite pasinaudoti „Philips“ siūloma pagalba, savo gaminį užregistruokite adresu

www.philips.com/welcome.

Naudodami šią „Philips Avance“ lėtaeigę sulčiaspaudę lengvai perkelsite visas vertingiausias vaisių ir daržovių savybes į stiklinę ir galėsite mėgautis skaniomis ir sveikomis sultimis kiekvieną dieną. Panaudojus pažangią technologiją, vaisiai ir daržovės maksimaliai išspaudžiami, o prietaisas išplaunamas greičiau nei per 1 min. Dėl visiškai integruotos konstrukcijos, prietaisas užima labai nedaug vietos, o jūs galite mėgautis puikiais rezultatais.

Bendrasis aprašymas (Pav. 1)**A Sulčių spaudimo įtaisas**

- ① Stūmiklis
- ② Uogų padėkliukas
- ③ Tiekimo vamzdis
- ④ Lašėjimo sustabdymas
- ⑤ Snapelis
- ⑥ Juodas dviejų dalių filtras skaidrioms sultims*
- ⑦ Sulčių sraigtas
- ⑧ Tirščių rinkiklis

B Variklio įtaisas

- ⑨ Fiksuojamasis spaustukas
- ⑩ Įjungimo / išjungimo mygtukas su signaline lempute
- ⑪ Atbulinės eigos / pirminio valymo mygtukas
- ⑫ Maitinimo laidas
- ⑬ Laido laikymo įtaisas
- ⑭ Tirščių indas
- ⑮ Saugos kištukai

C Ašotis (tik HR1942, HR1943, HR1944, HR1945, HR1947, HR1949)

- ⑯ Ašotis sultims
- ⑰ Ašočio sultims dangtelis

*Neparodyta: pilkas dviejų dalių filtras sultims su minkštumu (tik HR1942, HR1944, HR1946, HR1947, HR1949)

Svarbu

Prieš pradėdami naudoti prietaisą atidžiai perskaitykite šį vartotojo vadovą ir saugokite jį, nes jo gali prireikti ateityje.

Pavojus

- Niekada nemerkite variklio į vandenį ar kitą skystį. Neplaukite jo tekančio vandens srove ar indaplovėje.

Įspėjimas

- Prieš įjungdami prietaisą, patikrinkite, ar ant prietaiso stovo nurodyta įtampa atitinka vietinio tinklo įtampą.
- Jei kištukas, maitinimo laidas ar kitos dalys yra pažeistos, prietaiso nenaudokite. Jei pažeistas maitinimo laidas, kad

išvengtumėte rizikos, jį turi pakeisti „Philips“ darbuotojai, „Philips“ įgaliotasis techninės priežiūros centras arba kiti panašios kvalifikacijos specialistai.

- Šis prietaisas skirtas naudoti tik buityje. Jei prietaisas naudojamas netinkamai arba profesionaliems ar pusiau profesionaliems tikslams arba nėra naudojamas pagal vartotojo vadovo instrukciją, garantija nebegalios ir „Philips“ neprisiims atsakomybės už padarytą žalą.
- Šį prietaisą gali naudoti asmenys, kurių fiziniai, jutimo ar protiniai gebėjimai yra silpnesni arba kurie neturi patirties ir žinių, taip pat tie, kurie buvo prižiūrimi arba išmokyti saugiai naudotis prietaisu bei supažindinti su susijusiais pavojais.
- Vaikams draudžiama naudoti šį prietaisą. Laikykite prietaisą ir jo laidą vaikams nepasiekiamoje vietoje.
- Vaikai negali žaisti su šiuo prietaisu.
- Kai prietaisas įjungtas, niekada neikiškite pirštų ar daiktų į tiekimo vamzdį. Tam naudojamas tik stūmiklis.
- Prieš palikdami prietaisą be priežiūros, surinkdami, ardydami ar valydami, visada ištraukite maitinimo laidą iš tinklo.
- Prieš įjungdami prietaisą išvyniokite visą maitinimo laidą.
- Niekada nepalikite veikiančio prietaiso be priežiūros.

Dėmesio

- Niekada nenaudokite jokių kitų gamintojų arba „Philips“ specialiai nerekomenduojamų priedų arba dalių. Jei naudosite tokius priedus arba dalis, nebegalios jūsų garantija.
- Prietaisą visada statykite ant stabilaus, lygaus ir horizontalaus paviršiaus.
- Nenaudokite prietaiso lauke.
- Venkite sąlyčio su judančiomis dalimis.
- Prieš įjungdami prietaisą, įsitikinkite, kad visos dalys yra teisingai surinktos.
- Prietaisą naudokite tik fiksuojamajam spaustukui esant fiksavimo padėtyje.
- Spaustuką atkabinkite tik tada, kai prietaisas išjungtas ir sulčių sraigtas nebesisuka.
- Nenuimkite tirščių indo prietaisui veikiančiam.

28 LIETUVIŠKAI

- Supjaustykite didelius produktus į gabalėlius, telpančius į padavimo vamzdį. Prieš spausdami sultis, išimkite kauliukus, šerdis, sėklas ir nulupkite storas vaisių ir daržovių žieveles.
- Stūmikliu per daug nespauskite, kad išvengtumėte pažeidimų.
- Maistiniai dažai gali pakeisti dalių spalvą. Tai įprasta ir prietaiso naudojimui neturi jokio poveikio.
- Jei norite, kad prietaisas tarnautų ilgiau, nenaudokite jo be pertraukos ilgiau nei 30 min.
- Triukšmingumo lygis: $L_c = 78 \text{ dB(A)}$

Integruota apsauginė spynelė

Prietaise yra įrengtas saugos užraktas. Ant variklio esantys saugos kaiščiai užtikrina, kad prietaisą įjungsite tik tada, kai tinkamai įstatysite sulčių indą ir tirščių talpyklą.

Elektromagnetiniai laukai (EML)

„Philips“ prietaisas atitinka visus taikomus standartus ir normas dėl elektromagnetinių laukų poveikio.

Prieš naudojant pirmą kartą

Prieš naudodami prietaisą pirmą kartą, nuvalykite visas nuimamas dalis (žr. skyrių „Valymas“).

Pastaba. Prieš surinkdami prietaisą, įsitikinkite, kad visos dalys yra visiškai sausos.

Paruošimas naudojimui

Sulčių spaudimo įtaiso surinkimas

- 1 Pritvirtinkite tirščių rinkiklį prie sulčių spaudimo įtaiso ir sukite pagal laikrodžio rodyklę, kol rodyklė (◀) rodys padėtį „Užrakinta“. (Pav. 2)
- 2 Įstatykite sulčių sraigą į sulčių spaudimo įtaisą (Pav. 3).
- 3 Surinkite dvi filtro dalis (Pav. 4).
- 4 Uždėkite dviejų dalių filtrą ant sulčių sraigto (Pav. 5).

Patarimas. Jei norite skaidrių sulčių, naudokite juodą dviejų dalių filtrą. Jei norite tirštesnių sulčių su daugiau minkštimo, naudokite pilką dviejų dalių filtrą.

- 5 Pritvirtinkite snapelį prie sulčių spaudimo įtaiso ir sukite pagal laikrodžio rodyklę, kol rodyklė (◀) rodys padėtį „Užrakinta“. (Pav. 6)

Svarbu. Nebandykite pritvirtinti arba nuimti snapelio, kai sulčių spaudimo įtaisas yra ant variklio bloko. Prieš surinkdami arba išrinkdami visada nuimkite sulčių spaudimo įtaisą nuo variklio.

- 6 Ant tiekimo vamzdžio uždėkite uogų padėkliuką (Pav. 7).

Sulčių spaudimo įtaiso uždėjimas ant variklio

- 1 Uždėkite surinktą sulčių spaudimo įtaisą ant variklio, kad tirščių rinkiklis sutaptų su anga variklio įtaise (Pav. 8).
- 2 Išlygiuokite sulčių spaudimo įtaiso iškyšas, kad jos atitiktų variklio įtaiso griovelius. Stumkite sulčių spaudimo įtaisą ant variklio, kol jis užsifiksuos. (Pav. 9)

- 3** Uždėkite sulčių spaudimo įtaisą ant variklio (1) ir užspauskite fiksuojamąjį spaustuką (2). (Pav. 10)

Pastaba. Jei negalite užspausti fiksuojamojo spaustuko, patikrinkite, ar tinkamai uždėjote sulčių spaudimo įtaisą ir ar jo iškyšos atitinka variklio įtaiso griovelius.

- 4** Įstumkite tirščių indą į variklio įtaisą (Pav. 11).

Prietaiso naudojimas

Prietaisas veikia tik tada, jei sulčių spaudimo įtaisas ir tirščių rinkiklis tinkamai surinkti, o fiksuojamasis spaustukas tinkamai užspaustas.

- 1** Nuplaukite vaisius ir (arba) daržoves. Jei reikia, supjaustykite jas dalimis, telpančiomis į padavimo vamzdį.

Pastaba. Nulupkite storas vaisių luobeles, kurių nevalgote, pavyzdžiui, apelsinų, granatų ir kt.

- 2** Po snapeliu pastatykite ašotį arba stiklinę (Pav. 12).

- 3** Prietaisui įjungti paspauskite įjungimo / išjungimo mygtuką (Pav. 13).

- 4** Vaisių ir (arba) daržovių gabaliukus dėkite į padavimo vamzdį ir švelniai spauskite juos stūmikliu link sulčių sraigto (Pav. 14).

Niekada nekiškite pirštų ar kitų daiktų į padavimo vamzdį arba sulčių spaudimo įtaisą.

- 5** Kai nustoja tekėti sultys, išjunkite prietaisą ir palaukite, kol nustos suktis sulčių sraigtas.

- 6** Paspauskite pirminio valymo mygtuką, kad iš sulčių spaudimo įtaiso būtų pašalinti paskutiniai sulčių lašai (Pav. 15).

- 7** Kad sultys nelašėtų ant stalo, paspauskite lašėjimo sustabdymą (Pav. 16).

Patarimai

- Naudokite šviežius vaisius ir daržoves, nes juose yra daugiau sulčių. Ananasus, burokėlius, salierų stiebus, obuolius, agurkus, morkas, špinatus, melionus, pomidorus, granatus ir vynuoges ypač tinka perdirbti sulčiaspaude.
- Plonų žievelių ar odelių nulupti nereikia. Nulupkite tik storas žieves, kurių nevalgote, pvz., apelsinų, ananasų, kivių, melionų ir nevirtų burokėlių.
- Jei norite spausti vaisių su kauliukais, pvz., persikų, slyvų ar vyšnių, sultis, prieš spaudžiant sultis pašalinkite kauliukus.
- Spausdami obuolių sultis atminkite, kad obuolių sulčių tirštumas priklauso nuo naudojamų obuolių rūšių. Kuo sultingesni obuoliai, tuo skystesnės yra sultys. Pasirinkite tokius obuolius, iš kurių išspaudžiamos jūsų mėgstamos sultys.
- Obuolių sultys greitai paruduoja. Procesą galite sulėtinti, įlašinę keletą citrinos sulčių lašų.
- Šia sulčiaspaude galima apdoroti krakmolingus vaisius, pvz., bananus ir mangus. Pieno arba vandens galite įpilti tiesiai per tiekimo vamzdį.
- Šia sulčiaspaude galima apdoroti ir citrusinius vaisius. Rekomenduojame pašalinti baltą citrusinių vaisių minkštimą, nes jis suteikia kartumo.

30 LIETUVIŠKAI

Valymas (Pav. 17)

- Prietaisą yra lengviau išvalyti iš karto po naudojimo. Valymo lentelėje parodyta, kaip valomos visos dalys.

niekada nenaudokite šiurkščių kempinių, šlifuojamųjų valiklių arba ėsdinančių skysčių, pvz., benzino arba acetono prietaisui valyti.

Pastaba. Visas nuimamas dalis galima plauti indaplovėje ir po tekančiu vandeniu.

- 1 Išjunkite prietaisą ir ištraukite kištuką iš sieninio el. lizdo.
- 2 Atlaisvinkite fiksuojamąjį spaustuką (Pav. 18).
- 3 Nuimkite sulčių spaudimo įtaisą nuo variklio (Pav. 19).
- 4 Ištraukite iš variklio įtaiso tirščių indą (Pav. 20).
- 5 Ištuštinkite tirščių indą ir išskalaukite jį tekančiu vandeniu.

Sulčių spaudimo įtaiso išardymas ir valymas

- 1 Išimkite stūmiklį iš tiekimo vamzdžio (Pav. 21).
- 2 Nuimkite nuo tiekimo vamzdžio uogų padėkliuką (Pav. 22).
- 3 Sukite snapelį prieš laikrodžio rodyklę, kol rodyklė (◀) rodys padėtį „Atrakinta“, ir jį išimkite. (Pav. 23)
- 4 Išimkite dviejų dalių filtrą ir jį išardykite (Pav. 24).
- 5 Sukite tirščių rinktuvą prieš laikrodžio rodyklę, kol rodyklė (◀) rodys padėtį „Atrakinta“, ir jį išimkite. (Pav. 25)
- 6 Išimkite sulčių sraigą (Pav. 26).

Laikymas

- 1 Maitinimo laidą suvyniokite ant laido saugojimo įtaiso variklio prietaiso apačioje (Pav. 27).
- 2 Ašotį sultims ir dangtelį (tik HR1942, HR1943, HR1944, HR1945, HR1947, HR1949) bei uogų padėkliuką galima laikyti tirščių inde (Pav. 28).

Perdirbimas

- Šis simbolis reiškia, kad gaminio negalima išmesti kartu su įprastomis buitinėmis atliekomis (2012/19/ES) (Pav. 29).
- Laikykitės jūsų šalyje galiojančių taisyklių, kuriomis reglamentuojamas atskiras elektros ir elektronikos gaminių surinkimas. Tinkamai išmetus galima nuo neigiamo poveikio apsaugoti aplinką ir žmonių sveikatą.

Priedų užsakymas

Norėdami įsigyti priedų ar atskirų dalių, apsilankykite www.shop.philips.com/service arba kreipkitės į „Philips“ prekybos atstovą. Taip pat galite kreiptis į „Philips“ klientų aptarnavimo centrą, esantį jūsų šalyje.

Garantija ir pagalba

Jei reikia informacijos ar pagalbos, apsilankykite www.philips.com/support arba perskaitykite atskirą visame pasaulyje galiojančios garantijos lankstinuką.

Trikčių diagnostika ir šalinimas

Šiame skyriuje apibendrinamos problemos, dažniausiai pasitaikančios naudojantis šiuo prietaisu. Jei toliau pateikta informacija nepadės išspręsti problemos, apsilankykite www.philips.com/support, ten rasite dažnai užduodamų klausimų sąrašą, arba kreipkitės į savo šalies klientų aptarnavimo centrą.

Problema	Sprendimas
Prietaisas neveikia.	Prietaise yra du apsauginiai kaiščiai. Jei sulčių indą arba tirščių talpyklą ant variklio įstatėte netinkamai, prietaisas neveiks. Patikrinkite, ar šios dalys tinkamai sumontuotos (žr. skyriuje „Paruošimas naudoti“).
Pirmuosius prietaiso naudojimo kartus variklio blokas skleidžia nemalonų kvapą.	Tai įprasta. Jei ir toliau jusite šį kvapą, patikrinkite, ar ne per daug vaisių arba daržovių dedate.
Sulčių spaudimo įtaiso nejmanoma uždėti ant variklio įtaiso.	Patikrinkite, ar snapelis tinkamai pritvirtintas prie sulčių spaudimo įtaiso. Patikrinkite, ar sulčių spaudimo įtaiso iškyšos tinkamai išlygiuotos su variklio įtaiso grioveliais (žr. 9 pav.).
Sulčių spaudimo įtaisas užblokuotas.	Kelias sekundes paspauskite pirminio valymo mygtuką. Jei sulčių spaudimo įtaisas vis dar užblokuotas, išjunkite prietaisą, išimkite sulčių spaudimo įtaisą ir išrinkite visas dalis. Pašalinkite sulčių spaudimo įtaisą užblokavusius vaisius. Paskui bandykite apdoroti mažesnę kiekį.
Mirksi įjungimo lemputė (tik HR1942, HR1943, HR1944, HR1946, HR1947, HR1949).	Sulčių spaudimo įtaisas yra užsikimšęs. Kelias sekundes paspauskite priminio valymo mygtuką. Jei sulčių spaudimo įtaisas vis dar užblokuotas, išjunkite prietaisą, išimkite sulčių spaudimo įtaisą ir išrinkite visas dalis. Pašalinkite sulčių spaudimo įtaisą užblokavusius vaisius. Paskui bandykite apdoroti mažesnę kiekį.

Ievads

Apsveicam ar pirkumu un laipni lūdzam Philips! Lai pilnībā izmantotu Philips piedāvātā atbalsta iespējas, reģistrējiet izstrādājumu vietnē

www.philips.com/welcome.

Šī Philips Avance lēnā sulu spiede sniedz jums iespēju iegūt visas augļu un dārzeņu vērtīgās barības vielas un vitamīnus savā glāzē, un jūs varat baudīt gardas un veselīgas sulas katru dienu. Sulu spiedes novatoriskā tehnoloģija sniedz iespēju izspiest maksimālo sulas daudzumu no augļiem un dārzeņiem, kā arī ātri notīrīt ierīci ātrāk nekā 1 minūtē. Pilnībā monolītā konstrukcija izstrādāta, lai aizņemtu mazāk vietas un sniegtu lieliskus rezultātus.

Vispārīgs apraksts (Zīm. 1)**A Sulu spiedes bloks**

- ① Bīdnis
- ② Ogu paplāte
- ③ Atvere
- ④ Pilienapture
- ⑤ Snīpis
- ⑥ Melns divdaļīgs filtrs tīrai sulai*
- ⑦ Sulas spiešanas skrūve
- ⑧ Mīkstuma izvade

B Motora bloks

- ⑨ Aizspiednis
- ⑩ Ieslēgšanas/izslēgšanas poga ar jauda-ieslēgta lampu
- ⑪ Reversa/Pre-Clean poga
- ⑫ Strāvas vads
- ⑬ Vada glabāšanas vieta
- ⑭ Mīkstuma tvertne
- ⑮ Drošības tapas

C Krūze (tikai HR1942, HR1943, HR1944, HR1945, HR1947, HR1949)

- ⑯ Sulas krūze
- ⑰ Sulas krūzes vāks

*Nav redzams: pelēks divdaļīgs filtrs sulai ar šķiedrām (tikai HR1942, HR1944, HR1946, HR1947, HR1949)

Svarīgi!

Pirms ierīces lietošanas uzmanīgi izlasiet šo lietošanas pamācību un saglabājiet to, lai vajadzības gadījumā varētu ieskatīties tajā arī turpmāk.

Briesmas

- Neiegremdējiet motora bloku ūdenī vai kādā citā šķīdumā. Tāpat arī neskalojiet to tekošā krāna ūdenī un nemazgājiet trauku mazgāšanas mašīnā.

Brīdinājums!

- Pirms ierīces pievienošanas elektrotīklam pārbaudiet, vai uz ierīces pamatnes norādītais spriegums atbilst elektrotīkla spriegumam jūsu mājās.

- Nelietojiet ierīci, ja bojāta kontaktdakša, strāvas vads vai citas daļas. Ja strāvas vads ir bojāts, tas jānomaina Philips darbiniekiem, Philips pilnvarota servisa centra darbiniekiem vai līdzīgi kvalificētām personām, lai izvairītos no briesmām.
- Ierīce ir paredzēta izmantošanai tikai mājas apstākļos. Ja ierīce tiek izmantota neatbilstoši vai profesionāliem, vai daļēji profesionāliem mērķiem vai netiek izmantota saskaņā ar lietotāja rokasgrāmatā atrodamajām norādēm, garantija vairs nav spēkā, un Philips neuzņemsies atbildību par bojājumiem, kas radīsies.
- Šo ierīci var izmantot personas ar ierobežotām fiziskajām, sensorajām vai garīgajām spējām vai bez pieredzes un zināšanām, ja tiek nodrošināta uzraudzība vai norādījumi par drošu ierīces lietošanu un panākta izpratne par iespējamo bīstamību.
- Ierīci nevar lietot bērni. Glabājiet ierīci un tās elektrības vadu bērniem nepieejamā vietā.
- Bērni nedrīkst rotaļāties ar ierīci.
- Ierīces darbības laikā nekad nebāziet pirkstus vai priekšmetus atverē. Šim mērķim lietojiet tikai bīdņi.
- Vienmēr atvienojiet ierīci no elektrotīkla, ja atstājat to bez uzraudzības vai pirms salikšanas, izjaukšanas vai tīrīšanas.
- Vienmēr pilnībā atritiniet strāvas vadu pirms ierīces ieslēgšanas.
- Nekad neatstājiet ieslēgtu ierīci bez uzraudzības.

Ievērošanai

- Nekad neizmantojiet citu ražotāju piederumus vai detaļas, kurus uzņēmus Philips nav īpaši ieteicis. Ja izmantojat šādus piederumus vai detaļas, ierīces garantija vairs nav spēkā.
- Vienmēr novietojiet ierīci uz stabilas, līdzenas un horizontālas virsmas.
- Neizmantojiet ierīci ārpus telpām.
- Izvairieties no saskares ar kustīgajām detaļām.
- Pirms ierīces ieslēgšanas pārliedzieties, ka visas detaļas ir pareizi uzstādītas.
- Lietojiet ierīci tikai tad, ja aizspiednis ir slēgtā pozīcijā.
- Aizspiedni atveriet tikai pēc tam, kad esat izslēdzis ierīci un sulas spiešanas skrūve vairs nerotē.

34 LATVIEŠU

- Ierīcei darbojoties, neizņemiet mīkstuma tvertni.
- Sagrieziet produktus gabalos, kas ietilpst atverē. Atbrīvojiet augļus un dārzeņus no kauliņiem, serdēm, sēklām un biezām mizām pirms sulas spiešanas.
- Nespiediet bīdņi pārāk spēcīgi, lai to nesabojātu.
- Pārtikas krāsvielas var mainīt detaļu krāsu. Tā ir normāla parādība un neietekmē ierīces darbību.
- Lai optimizētu ierīces kalpošanas laiku, nelietojiet to bez pārtraukuma ilgāk par 30 minūtēm.
- Trokšņa līmenis: $L_c = 78 \text{ dB(A)}$.

Iebūvēts drošības slēdzis

Šī ierīce ir aprīkota ar iebūvētu drošības slēdzi. Drošības tapas uz motora bloka nodrošina, ka varat ieslēgt ierīci, ja esat novietojis sulas spiešanas bloku un mīkstuma tvertni uz motora bloka pareizi.

Elektromagnētiskie lauki (EML)

Šī Philips ierīce atbilst visiem piemērojamiem standartiem un noteikumiem, kas attiecas uz elektromagnētisko lauku iedarbību.

Pirms pirmās lietošanas reizes

Pirms lietojat ierīci pirmo reizi, rūpīgi notīriet visas noņemamās daļas (skatiet nodaļu "Tīrīšana").

Piezīme: Pārliecinieties, vai visas daļas ir pilnībā sausas, pirms sākt izmantot ierīci.

Sagatavošana lietošanai

Sulas spiešanas bloka salikšana

- 1** Pievienojiet mīkstuma izvadu pie sulas spiešanas bloka un pagrieziet pulksteņrādītāju kustības virzienā, līdz bultiņa (◀) norāda, ka tas ir nofiksēts. (Zīm. 2)
- 2** Sulas spiešanas blokā ievietojiet sulas spiešanas skrūvi (Zīm. 3).
- 3** Salieciet divas filtra daļas (Zīm. 4).
- 4** Novietojiet divdaļīgo filtru virs sulas spiešanas skrūves (Zīm. 5).

Padoms. Izmantojiet melno divdaļīgo filtru, lai iegūtu dzidru sulu. Ja vēlaties duļķainu sulu ar lielāku šķiedru saturu, izmantojiet pelēko divdaļīgo filtru.

- 5** Pievienojiet snīpi pie sulas spiešanas bloka un pagrieziet pulksteņrādītāju kustības virzienā, līdz bultiņa (◀) norāda, ka tas ir nofiksēts. (Zīm. 6)

Svarīgi: nepievienojiet un nenovietojiet snīpi, kad sulu spiedes bloks ir uzstādīts uz motora bloka. Pirms montāžas vai izjaukšanas vienmēr novietojiet sulu spiedes bloku no motora bloka.

- 6** Novietojiet ogu paplāti uz atveres (Zīm. 7).

Sulas spiešanas bloka uzlikšana uz motora bloka

- 1** Novietojiet salikto sulas spiešanas bloku uz motora bloka, lai mīkstuma atveres stiprinājums būtu motora bloka atverē (Zīm. 8).
- 2** Sastatiet sulas spiešanas bloka izvirsījumus ar iedobēm motora blokā. Uzvirziet sulas spiešanas bloku uz motora bloka, līdz tas ar klikšķi tiek nofiksēts. (Zīm. 9)

- 3** Uzspiediet sulas spiešanas bloku uz motora bloka (1) un pēc tam aizveriet aizspiedi (2). (Zīm. 10)

Piezīme: Ja aizspiedi nevar aizvērt, pārbaudiet, vai sulas spiešanas bloks ir novietots pareizi ar izvirzījumiem motora bloka iedobēs.

- 4** Iebīdiet mīkstuma tvertni motora blokā (Zīm. 11).

leīces lietošana

Ierīce darbojas tikai tad, ja sulas spiešanas bloks un mīkstuma izvade ir pareizi salikti un aizspiednis ir noslēgts.

- 1** Nomazgājiet augļus un/vai dārzeņus. Ja nepieciešams, sagrieziet tos gabaliņos, kurus var ievietot padeves atverē.

Piezīme. Izņemiet kauliņus un nomizojiet biezas mizas no augļiem, piemēram, apelsīniem, granātāboliem u.c.

- 2** Novietojiet krūzi vai glāzi zem snipja (Zīm. 12).

- 3** Nospiediet ieslēgšanas/izslēgšanas pogu, lai ieslēgtu ierīci (Zīm. 13).

- 4** Ievietojiet augļus un/vai dārzeņus padeves atverē un maigi spiediet tos leļup uz sulas spiešanas skrūvi, izmantojot bīdņi (Zīm. 14).

Nekad neievietojiet pirkstus vai priekšmetus padeves atverē vai sulas spiešanas blokā.

- 5** Kad sula vairs netek, izslēdziet ierīci un pagaidiet, līdz sulas spiešanas skrūve pārtrauc griezties.

- 6** Nospiediet Pre-Clean pogu, lai notīrītu pēdējās sulas pilītes no sulas spiešanas bloka (Zīm. 15).

- 7** Lai novērstu sulas pilēšanu uz galda, nospiediet pilienapturi (Zīm. 16).

Padomi

- Izmantojiet svaigus augļus un dārzeņus, jo tajos ir vairāk sulas. Ananasi, bietes, seleriju kāti, āboli, gurķi, burkāni, spināti, melones, tomāti, apelsīni un vīnogas ir īpaši piemēroti pārstrādei sulu spiedē.
- Nav jānoņem plāna miza. Jāmizo tikai plānas neēdamās mizas, piemēram, apelsīnu, ananasu, kivi, meloņu un svaīgu biešu.
- Ja vēlaties izspiest sulu no augļiem ar kauliņiem, piemēram, no persikiem, plūmēm vai ķiršiem, pirms sulas spiešanas izņemiet kauliņus.
- Spiežot ābolu sulu, atcerieties, ka ābolu sulas blīvums ir atkarīgs no izmantojamo ābolu šķirnes. Jo sulīgāki āboli, jo šķidrāka sula. Izvēlieties ābolu šķirni, no kuras var iegūt jūsu iemīļotāko sulu.
- Ābolu sula ļoti ātri kļūst brūna. Lai palēninātu šo procesu, pievienojiet nedaudz citronu sulas.
- Šī sulu spiede var apstrādāt cieti saturošus augļus, piemēram, banānus un mango. Varat pievienot pienu vai ūdeni tieši padeves atverē.
- Ar sulu spiedi iespējams apstrādāt arī citrusaugļus, jums tikai jānoņem citrusaugļu baltā serde, jo tai ir rūgta garša.

Tīršana (Zīm. 17)

- Ierīci ir vieglāk tīrīt, ja to darīsiet uzreiz pēc izmantošanas. Skatiet tīršanas tabulu, lai uzzinātu, kā tīrīt ierīces daļas.

Ierīces tīršanai nekad nelietojiet nekādus beržamos viškus, abrazīvus tīršanas līdzekļus vai agresīvus šķīdumus, piemēram, spirtu, benzīnu vai acetonu.

Piezīme: Visas noņemamās detaļas var mazgāt trauku mazgāšanas mašīnā un tekošā krānā ūdenī.

- 1 Izslēdziet ierīci un izvelciet strāvas vada kontaktdakšu no sienas kontaktligzdas.
- 2 Atveriet aizspiedni (Zīm. 18).
- 3 Noņemiet sulas spiešanas bloku no motora bloka (Zīm. 19).
- 4 Noņemiet mīkstuma tvertni no motora bloka (Zīm. 20).
- 5 Iztukšojiet mīkstuma tvertni un noskalojiet tekošā ūdenī.
Sulas spiešanas bloka izjaukšana un tīrīšana

-
- 1 Izņemiet bīdņi no padeves atveres (Zīm. 21).
 - 2 Noņemiet ogu paplāti no padeves atveres (Zīm. 22).
 - 3 Pagrieziet snīpi pretēji pulksteņrādītāju kustības virzienam, līdz bultiņa (◀) norāda atvērtu pozīciju, un izņemiet to no sulas spiešanas bloka. (Zīm. 23)
 - 4 Izņemiet divdaļīgo filtru un izjauciet to (Zīm. 24).
 - 5 Pagrieziet sulas izvadu pretēji pulksteņrādītāju kustības virzienam, līdz bultiņa (◀) norāda atvērtu pozīciju, un izņemiet to no sulas spiešanas bloka. (Zīm. 25)
 - 6 Izņemiet sulas spiešanas skrūvi (Zīm. 26).

Uzglabāšana

- 1 Saritiniet strāvas vadu apkārt vada glabāšanas nodalījumam motora bloka apakšā (Zīm. 27).
- 2 Varat uzglabāt sulas krūzi un vāku (tikai HR1942, HR1943, HR1944, HR1945, HR1947, HR1949), un ogu paplāti mīkstuma tvertnē (28. att.).

Otrreizējā pārstrāde

- Šis simbols nozīmē, ka produktu nedrīkst izmest kopā ar parastiem sadzīves atkritumiem (2012/19/ES) (Zīm. 29).
- Ievērojiet savā valstī spēkā esošos likumus par atsevišķu elektrisko un elektronisko produktu utilizāciju. Pareiza utilizācija palīdz novērst negatīvu ietekmi uz vidi un cilvēku veselību.

Piederumu pasūtīšana

Lai iegādātos piederumus vai rezerves daļas, apmeklējiet vietni www.shop.philips.com/service vai vērsieties pie sava Philips izplatītāja. Varat arī sazināties ar Philips klientu apkalpošanas centru savā valstī.

Garantija un atbalsts

Ja nepieciešama informācija vai atbalsts, lūdzu, apmeklējiet vietni www.philips.com/support vai atsevišķo pasaules garantijas bukletu.

Traucējummeklēšana

Šajā nodaļā ir apkopotas izplatītākās problēmas, kādas var rasties, rīkojoties ar ierīci. Ja nevarat atrisināt problēmu, izmantojot turpmāko informāciju, apmeklējiet vietni www.philips.com/support un skatiet bieži uzdoto jautājumu sarakstu vai sazinieties ar klientu apkalpošanas centra darbiniekiem savā valstī.

Problēma	Risinājums
Ierīce nedarbojas.	Ierīce ir aprīkota ar divām drošības tapām. Ja sulas spiešanas bloks vai mīkstumta tvertne nav pareizi novietota uz motora bloka, ierīce nedarbojas. Pārbaudiet, vai šīs daļas ir pareizi saliktas (skatiet sadaļu "Sagatavošanās lietošanai").
Pirmajās ierīces lietošanas reizēs motora nodalījums izdala nepatīkamu smaku.	Tas nav nekas neparasts. Ja no ierīces arī turpmāk izdalās šī smaka, to jau izmantojot vairākas reizes, pārbaudiet, produktu apstrādājamo daudzumu un apstrādes laiku.
Sulas spiešanas bloku nevar novietot uz motora bloka.	Pārbaudiet, vai snīpis ir pareizi piestiprināts pie sulas spiešanas bloka. Pārliecinieties, ka sulas spiešanas bloka izvīzījumi atrodas motora bloka iedobēs (skatiet 9. att.).
Sulas spiešanas bloks ir nosprostots.	Dažas sekundes nospiediet Pre-Clean pogu. Ja sulas spiešanas bloks joprojām ir nosprostots, izslēdziet ierīci, izņemiet sulas spiešanas bloku un izjauciet visas detaļas. Izņemiet augli, kas nosprosto sulas spiešanas bloku. Pēc tam apstrādājiet mazāku daudzumu.
Mirgo barošanas lampiņa (tikai HR1942, HR1943, HR1944, HR1946, HR1947, HR1949).	Sulas spiešanas bloks ir nosprostots. Dažas sekundes nospiediet Pre-Clean pogu. Ja sulas spiešanas bloks joprojām ir nosprostots, izslēdziet ierīci, izņemiet sulas spiešanas bloku un izjauciet visas detaļas. Izņemiet augli, kas nosprosto sulas spiešanas bloku. Pēc tam apstrādājiet mazāku daudzumu.

Wprowadzenie

Gratulujemy zakupu i witamy wśród użytkowników produktów Philips! Aby w pełni skorzystać z pomocy oferowanej przez firmę Philips, zarejestruj swój produkt na stronie www.philips.com/welcome.

Wolnoobrotowa sokowirówka Avance firmy Philips pozwala wydobyć pełny smak i aromat z owoców i warzyw, dzięki czemu codziennie można delektować się smacznymi i zdrowymi sokami. Zastosowana w niej innowacyjna technologia umożliwia wyciśnięcie maksymalnej ilości soku z owoców i warzyw, a następnie umycie urządzenia w czasie krótszym niż 1 minuta. Dzięki swojej w pełni zintegrowanej konstrukcji sokowirówka zajmuje mało miejsca i zapewnia doskonałe rezultaty.

Opis ogólny (rys. 1)

A Część wyciskająca

- ① Popychacz
- ② Taca na owoce jagodowe
- ③ Rura z otworem na produkty
- ④ Blokada kapania
- ⑤ Dziobek
- ⑥ Czarny dwuczęściowy filtr zapewniający klarowny sok*
- ⑦ Śruba wyciskająca
- ⑧ Wylot miąższu

B Część silnikowa

- ⑨ Zacisk blokujący
- ⑩ Wyłącznik ze wskaźnikiem zasilania
- ⑪ Przycisk cofania/czyszczenia wstępnego
- ⑫ Przewód sieciowy
- ⑬ Uchwyt na przewód
- ⑭ Pojemnik na miąższ
- ⑮ Elementy zabezpieczające

C Dzbanek (tylko modele HR1942, HR1943, HR1944, HR1945, HR1947, HR1949)

- ⑯ Dzbanek na sok
- ⑰ Pokrywka dzbanka na sok

*Niepokazane na rysunku: szary dwuczęściowy filtr zapewniający mętny sok (tylko modele HR1942, HR1944, HR1946, HR1947, HR1949)

Ważne

Przed rozpoczęciem korzystania z urządzenia zapoznaj się dokładnie z jego instrukcją obsługi. Instrukcję warto też zachować na przyszłość.

Niebezpieczeństwo

- Nie zanurzaj części silnikowej w wodzie ani innym płynie. Nie opłukuj jej pod bieżącą wodą i nie myj jej w zmywarce.

Ostrzeżenie

- Przed podłączeniem urządzenia upewnij się, że napięcie podane na podstawie urządzenia jest zgodne z napięciem w sieci elektrycznej.
- Nie korzystaj z urządzenia, jeśli uszkodzona jest wtyczka, przewód sieciowy lub inne części. W przypadku uszkodzenia przewodu sieciowego w celu uniknięcia zagrożenia należy zlecić jego wymianę firmie Philips, autoryzowanemu centrum serwisowemu firmy Philips lub odpowiednio wykwalifikowanej osobie.
- Urządzenie to jest przeznaczone wyłącznie do użytku domowego. Używanie go w profesjonalnych lub półprofesjonalnych punktach gastronomicznych bądź w sposób niezgodny z niniejszą instrukcją spowoduje unieważnienie gwarancji. Firma Philips nie ponosi odpowiedzialności za uszkodzenia powstałe w takich przypadkach.
- Urządzenie może być używane przez osoby z ograniczonymi zdolnościami fizycznymi, sensorycznymi lub umysłowymi, a także nieposiadające wiedzy lub doświadczenia w użytkowaniu tego typu urządzeń, pod warunkiem, że będą one nadzorowane lub zostaną poinstruowane na temat korzystania z tego urządzenia w bezpieczny sposób oraz zostaną poinformowane o potencjalnych zagrożeniach.
- Urządzenie nie może być używane przez dzieci. Urządzenie i jego przewód sieciowy należy umieścić w miejscu niedostępnym dla dzieci.
- Dzieci nie mogą bawić się urządzeniem.
- Nie wkładaj palców ani żadnych przedmiotów do otworu na produkty podczas pracy urządzenia. Do otworu można wkładać jedynie popychacz.
- Przed rozpoczęciem montażu, demontażu lub czyszczenia urządzenia, a także wtedy, gdy chcesz je pozostawić bez nadzoru, odłącz je od sieci elektrycznej.
- Przed włączeniem urządzenia zawsze całkowicie rozwiń przewód sieciowy.
- Nigdy nie zostawiaj włączonego urządzenia bez nadzoru.

Uwaga

- Nigdy nie używaj akcesoriów ani części zamiennych innych producentów ani takich, które nie są zalecane przez firmę Philips. W przypadku użycia takich akcesoriów lub części gwarancja traci ważność.
- Zawsze stawiaj urządzenie na stabilnej, równej i poziomej powierzchni.
- Nie korzystaj z urządzenia na dworze.
- Unikaj kontaktu z ruchomymi częściami urządzenia.
- Przed włączeniem urządzenia sprawdź, czy wszystkie części zostały prawidłowo zmontowane.
- Z urządzenia korzystaj tylko wtedy, gdy zacisk blokujący znajduje się w pozycji zablokowania.
- Zacisk blokujący można odblokować dopiero wtedy, gdy urządzenie zostanie wyłączone, a śruba wyciskająca przestanie się obracać.
- Nie wyjmuj pojemnika na miąższ podczas pracy urządzenia.
- Większe składniki pokrój na kawałki, które zmieszczą się do otworu na produkty. Przed rozpoczęciem wyciskania soku usuń pestki, gniazda nasienne, nasiona i grube skórki z owoców lub warzyw.
- Nie naciskaj zbyt mocno na popychacz, aby go nie uszkodzić.
- Barwniki znajdujące się w owocach i warzywach mogą spowodować przebarwienie części urządzenia. Jest to zjawisko normalne i nie ma wpływu na działanie urządzenia.
- Aby zoptymalizować okres eksploatacji urządzenia, nie używaj go dłużej niż przez 30 minut bez przerwy.
- Poziom hałasu: $L_c = 78$ dB (A).

Wbudowana blokada bezpieczeństwa

Urządzenie jest wyposażone we wbudowaną blokadę bezpieczeństwa. Kolki zabezpieczające na części silnikowej zabezpieczają urządzenie przed włączeniem, zanim na części silnikowej nie zostanie w prawidłowy sposób umieszczony moduł wyciskania i pojemnik na miąższ.

Pola elektromagnetyczne (EMF)

To urządzenie firmy Philips spełnia wszystkie normy i jest zgodne z wszystkimi przepisami dotyczącymi narażenia na działanie pól elektromagnetycznych.

Przed pierwszym użyciem

Przed pierwszym użyciem urządzenia dokładnie umyj wszystkie części (patrz rozdział „Czyszczenie”).

Uwaga: *Przed rozpoczęciem korzystania z urządzenia należy sprawdzić, czy wszystkie jego części są suche.*

Przygotowanie do użycia

Montaż części wyciskającej

- 1** Przymocuj wylot miąższu do części wyciskającej i obróć go w prawo, aż strzałka (↖) będzie wskazywać pozycję zablokowania. (rys. 2)
- 2** Włóż śrubę wyciskającą do części wyciskającej (rys. 3).
- 3** Złóż dwie części filtra (rys. 4).
- 4** Umieść dwuczęściowy filtr na śrubie wyciskającej (rys. 5).

Wskazówka: Aby uzyskać klarowny sok, używaj czarnego dwuczęściowego filtra. Jeśli wolisz mętny sok z miąższem, używaj szarego dwuczęściowego filtra.

- 5** Przymocuj dziobek do części wyciskającej i obróć go w prawo, aż strzałka (↖) będzie wskazywać pozycję zablokowania. (rys. 6)

Ważne: *nie zakładaj ani nie zdejmuj dziobka, kiedy moduł wyciskania jest zamontowany na części silnikowej. Przed przystąpieniem do montażu lub demontażu zawsze zdejmuj moduł wyciskania z części silnikowej.*

- 6** Umieść tacę na owoce jagodowe w otworze na produkty (rys. 7).

Zakładanie części wyciskającej na część silnikową

- 1** Umieść zmontowaną część wyciskającą na części silnikowej, tak aby wylot miąższu był dopasowany do otworu w części silnikowej (rys. 8).
- 2** Dopasuj wystające elementy części wyciskającej do zagłębień w części silnikowej. Wsuwaj część wyciskającą na część silnikową do momentu, aż zablokuje się na swoim miejscu. (rys. 9)
- 3** Dociśnij część wyciskającą do części silnikowej (1), a następnie zamknij zacisk blokujący (2). (rys. 10)

Uwaga: Jeśli nie można zamknąć zacisku blokującego, sprawdź, czy część wyciskająca została prawidłowo założona. Jej wystające elementy powinny być dopasowane do zagłębień w części silnikowej.

- 4** Wsuń pojemnik na miąższ w część silnikową (rys. 11).

Zasady używania urządzenia

Urządzenie działa tylko wtedy, gdy część wyciskająca i wylot miąższu są prawidłowo zamontowane, a zacisk blokujący jest poprawnie zablokowany.

- 1** Umyj owoce i/lub warzywa. W razie potrzeby pokrój je na kawałki, które zmieszczą się w otworze na produkty.

Uwaga: usuń pestki i grubą, niejedalną skórę owoców, np. pomarańczy, granatów itp.

- 2** Umieść dzbanek lub szklanke pod dziobkiem (rys. 12).
- 3** Naciśnij wyłącznik, aby włączyć urządzenie (rys. 13).

- 4 Włóż kawałki owoców lub warzyw do otworu na produkty i za pomocą popychacza delikatnie popchnij je w kierunku śruby wyciskającej (rys. 14).

Nigdy nie wkładaj palców ani żadnych przedmiotów do otworu na produkty lub części wyciskającej.

- 5 Gdy sok przestanie wypływać, wyłącz urządzenie i poczekaj, aż śruba wyciskająca przestanie się obracać.
- 6 Naciśnij przycisk czyszczenia wstępnego, aby usunąć ostatnie krople soku z części wyciskającej (rys. 15).
- 7 Aby zapobiec kapaniu soku na stół, naciśnij blokadę kapania (rys. 16).

Wskazówki

- Używaj świeżych owoców i warzyw, gdyż zawierają one więcej soku. Szczególnie odpowiednie do wyciskania w sokowirówce są ananasy, buraki, seler naciowy, jabłka, ogórki, marchew, szpinak, melony, pomidory, granaty i winogrona.
- Nie musisz obierać owoców i warzyw o cienkich skórkach. Usuwać tylko niejadalne skórki, np. z pomarańczy, ananasów, kiwi, melonów i surowych buraków.
- Jeśli chcesz wycisnąć sok z owoców z pestkami, takich jak brzoskwinie, śliwki lub wiśnie, przed rozpoczęciem wyciskania usuń pestki.
- Podczas przygotowywania soku z jabłek pamiętaj, że gęstość soku zależy od odmiany jabłek. Im bardziej soczyste jabłko, tym mniej gęsty sok. Wybieraj jabłka, z których można wycisnąć taki rodzaj soku, jaki lubisz.
- Sok jabłkowy szybko zmienia kolor na brązowy. Możesz spowolnić ten proces, dodając do niego kilka kropel soku z cytryny.
- Ta sokowirówka umożliwia wyciskanie owoców zawierających skrobię, takich jak banany i mango. Można dodać mleko lub wodę bezpośrednio przez otwór na produkty.
- W sokowirówce można także wyciskać sok z cytrusów. W tym celu należy wyciąć białe włókno owoców cytrusowych z uwagi na jego gorzki smak.

Czyszczenie (rys. 17)

- Urządzenie łatwiej wyczyścić od razu po użyciu. Informacje na temat czyszczenia poszczególnych części można znaleźć w tabeli dotyczącej czyszczenia urządzenia.

Do czyszczenia urządzenia nigdy nie używaj czyszcików, środków ściernych ani żrących płynów, takich jak alkohol, benzyna lub aceton.

Uwaga: Wszystkie zdejmowane części można myć w zmywarce i pod bieżącą wodą.

- 1 Wyłącz urządzenie i wyjmij wtyczkę przewodu z gniazdka elektrycznego.
- 2 Otwórz zacisk blokujący (rys. 18).
- 3 Zdejmij część wyciskającą z części silnikowej (rys. 19).
- 4 Zdejmij pojemnik na miąższ z części silnikowej (rys. 20).
- 5 Opróżnij pojemnik na miąższ i wypłucz go pod bieżącą wodą.

Demontaż i czyszczenie części wyciskającej

- 1 Wyjmij popychacz z otworu na produkty (rys. 21).
- 2 Wyjmij tacę na owoce jagodowe z otworu na produkty (rys. 22).

- 3 Obróć dziobek w lewo, aż strzałka (◄) będzie wskazywać pozycję otwarcia, i wyjmij go z części wyciskającej. (rys. 23)
- 4 Wyjmij dwuczęściowy filtr i rozłóż go (rys. 24).
- 5 Obróć wylot miąższu w lewo, aż strzałka (◄) będzie wskazywać pozycję otwarcia, i wyjmij go z części wyciskającej. (rys. 25)
- 6 Wyjmij śrubę wyciskającą (rys. 26).

Przechowywanie

- 1 Owiń przewód sieciowy wokół uchwytu znajdującego się na podstawie części silnikowej (rys. 27).
- 2 Dzbaneł na sok z pokrywką (tylko modele HR1942, HR1943, HR1944, HR1945, HR1947, HR1949) oraz tackę do jagód można przechowywać w pojemniku na miąższ (rys. 28).

Recykling

- Ten symbol oznacza, że produktu nie można zutylizować z pozostałymi odpadami domowymi (2012/19/UE) (rys. 29).
- Należy postępować zgodnie z obowiązującymi w danym kraju przepisami dotyczącymi selektywnej zbiórki urządzeń elektrycznych i elektronicznych. Prawidłowa utylizacja pomaga chronić środowisko naturalne oraz ludzkie zdrowie.

Zamawianie akcesoriów

Aby kupić akcesoria lub części zamienne, odwiedź stronę www.shop.philips.com/service lub skontaktuj się ze sprzedawcą produktów firmy Philips. Możesz również skontaktować się z lokalnym Centrum Obsługi Klienta.

Gwarancja i pomoc techniczna

Jeśli potrzebujesz pomocy lub informacji, odwiedź stronę www.philips.com/support lub zapoznaj się z oddzielną ulotką gwarancyjną.

Rozwiązywanie problemów

W tym rozdziale opisano najczęstsze problemy, z którymi można się zetknąć, korzystając z urządzenia. Jeśli poniższe wskazówki okażą się niewystarczające do rozwiązania problemu, odwiedź stronę www.philips.com/support, na której znajduje się lista często zadawanych pytań, lub skontaktuj się z Centrum Obsługi Klienta w swoim kraju.

Problem

Rozwiązanie

Urządzenie nie działa.

Urządzenie jest wyposażone w dwa kołki zabezpieczające. Jeśli moduł wyciskania lub pojemnik na miąższ nie zostały umieszczone w prawidłowy sposób na części silnikowej, urządzenie nie będzie działać. Sprawdź, czy części te zostały złożone prawidłowo (patrz: rozdział „Przygotowanie do użycia”).

Problem	Rozwiązanie
Na początku używania część silnikowa wydziela nieprzyjemny zapach.	Jest to zjawisko normalne. Jeśli urządzenie po kilkukrotnym użyciu nadal wydziela nieprzyjemny zapach, sprawdź, czy ilość składników i czas wyciskania są prawidłowe.
Nie można założyć części wyciskającej na część silnikową.	Sprawdź, czy dziobek został prawidłowo przymocowany do części wyciskającej. Upewnij się, że wystające elementy części wyciskającej zostały dopasowane do zagłębień części silnikowej (patrz rys. 9).
Część wyciskająca jest zablokowana.	Przytrzymaj przycisk czyszczenia wstępnego przez kilka sekund. Jeśli część wyciskająca jest nadal zablokowana, wyłącz urządzenie, wyjmij część wyciskającą i rozmontuj wszystkie części. Wyjmij owoce blokujące część wyciskającą. Pamiętaj o użyciu mniejszej ilości składników.
Wskaźnik zasilania miga (tylko modele HR1942, HR1943, HR1944, HR1946, HR1947, HR1949).	Część wyciskająca jest zablokowana. Przytrzymaj przycisk czyszczenia wstępnego przez kilka sekund. Jeśli część wyciskająca jest nadal zablokowana, wyłącz urządzenie, wyjmij część wyciskającą i rozmontuj wszystkie części. Wyjmij owoce blokujące część wyciskającą. Pamiętaj o użyciu mniejszej ilości składników.

Введение

Поздравляем с покупкой продукции Philips! Чтобы воспользоваться всеми преимуществами поддержки Philips, зарегистрируйте прибор на веб-сайте www.philips.com/welcome. Шнековая соковыжималка медленной экстракции Philips Avance позволит вам ежедневно наслаждаться вкусными и полезными соками из фруктов и овощей. Инновационная технология позволяет получать максимальное количество сока из плодов, а также выполнять очистку соковыжималки меньше чем за 1 минуту. Благодаря универсальному дизайну прибор не занимает много места и обеспечивает оптимальный результат.

Общее описание (Рис. 1)

A Блок соковыжималки

- ① Толкатель
- ② Лоток для ягод
- ③ Камера подачи
- ④ Система "капля-стоп"
- ⑤ Носик
- ⑥ Черный двухкомпонентный фильтр для сока*
- ⑦ Шнек для сока
- ⑧ Насадка для мякоти

B Блок электродвигателя

- ⑨ Фиксатор
- ⑩ Кнопка включения/выключения с индикатором питания
- ⑪ Кнопка реверсивного хода/предварительной очистки
- ⑫ Сетевой шнур
- ⑬ Приспособление для хранения шнура
- ⑭ Контейнер для мякоти
- ⑮ Предохранительные стифты

C Кувшин (только для HR1942, HR1943, HR1944, HR1945, HR1947, HR1949)

- ⑯ Кувшин для сока
- ⑰ Крышка кувшина для сока

*Изображение отсутствует: серый двухкомпонентный фильтр для сока с мякотью (только для HR1942, HR1944, HR1946, HR1947, HR1949).

Важная информация

Перед использованием прибора внимательно ознакомьтесь с руководством пользователя и сохраните его для дальнейшего использования в качестве справочного материала.

Опасно!

- Не помещайте блок электродвигателя в воду или любую другую жидкость. Не мойте его под струей воды или в посудомоечной машине.

Предупреждение

- Перед подключением прибора убедитесь, что указанное на нём номинальное напряжение соответствует напряжению местной электросети.

- Запрещается использовать прибор, если вилка, сетевой шнур или другие компоненты повреждены. В случае повреждения сетевого шнура его необходимо заменить. Чтобы обеспечить безопасную эксплуатацию прибора, заменяйте шнур в организации Philips, авторизованном сервисном центре Philips или сервисном центре с персоналом аналогичной квалификации.
- Прибор предназначен только для домашнего использования. В случае неверного использования прибора, в профессиональных или полупрофессиональных условиях или при нарушении правил данного руководства гарантийные обязательства утрачивают силу, и компания Philips не несет ответственности за любой причиненный ущерб.
- Лица с ограниченными физическими или интеллектуальными возможностями, а также лица с недостаточным опытом и знаниями могут пользоваться этим прибором только под присмотром или после получения инструкций по безопасному использованию прибора и при условии понимания потенциальных опасностей.
- Запрещается использование прибора детьми. Храните прибор и шнур в недоступном для детей месте.
- Не позволяйте детям играть с прибором.
- Не проталкивайте продукты в камеру для подачи пальцами или посторонними предметами во время работы прибора. Для этих целей можно использовать только толкатель.
- Перед сборкой, разборкой, очисткой и хранением, а также если вы оставляете прибор без присмотра, обязательно отсоединяйте прибор от электросети.
- Всегда полностью разматывайте сетевой шнур перед включением прибора.
- Не оставляйте включенный прибор без присмотра.

Внимание!

- Запрещается пользоваться какими-либо аксессуарами или деталями других производителей без специальной рекомендации компании Philips. При использовании таких аксессуаров гарантийные обязательства утрачивают силу.
- Ставьте прибор только на ровную и устойчивую горизонтальную поверхность.
- Не используйте прибор вне помещения.
- Не прикасайтесь к движущимся частям.
- Перед включением прибора убедитесь, что все детали установлены правильно.

- Используйте прибор, только когда фиксатор находится в положении блокировки.
- Разблокировать фиксатор можно только после того, как прибор будет выключен, а шнековый вал прекратит вращаться.
- Не снимайте контейнер для мякоти во время работы прибора.
- Порежьте крупные плоды кусочками такого размера, чтобы они помещались в камеру подачи. Прежде чем загрузить фрукты и овощи в соковыжималку, удалите косточки, сердцевину, семена и очистите плоды от толстой кожуры.
- Во избежание поломки не нажимайте на толкатель слишком сильно.
- Под воздействием пищевых красителей цвет деталей может измениться. Это нормально и не влияет на работу прибора.
- Для продления срока службы прибора, не используйте его непрерывно в течение более 30 минут.
- Уровень шума: $L_c = 78$ дБ (А)

Встроенный блокиратор безопасности

Данный прибор оснащен встроенной системой защиты. Фиксаторы на блоке электродвигателя обеспечивают включение прибора, только если блок соковыжималки и контейнер для мякоти правильно установлены на блоке электродвигателя.

Электромагнитные поля (ЭМП)

Этот прибор Philips соответствует всем применимым стандартам и нормам по воздействию электромагнитных полей.

Перед первым использованием

Тщательно промойте все детали перед первым использованием прибора (см. главу "Очистка").
Примечание. Перед использованием прибора убедитесь, что все части являются абсолютно сухими.

Подготовка прибора к работе

Сборка блока соковыжималки

- 1** Установите насадку для мякоти на блок соковыжималки и поверните ее по часовой стрелке, пока стрелка (◀) не будет установлена в положение "заблокировано". (Рис. 2)
- 2** Вставьте шнековый вал в блок соковыжималки (рис. 3).
- 3** Соедините обе части фильтра (Рис. 4).
- 4** Установите двухкомпонентный фильтр на шнековый вал (Рис. 5).

Совет. Устанавливайте черный двухкомпонентный фильтр для сока без мякоти. Если вы предпочитаете сок с мякотью, воспользуйтесь серым двухкомпонентным фильтром.

- 5** Наденьте носик на блок соковыжималки и поверните его по часовой стрелке, пока стрелка (◀) не будет установлена в положение "блокировка". (Рис. 6)

Важная информация. Не присоединяйте и не отсоединяйте носик, если блок соковыжималки установлен на блок электродвигателя. Перед сборкой или разборкой прибора всегда снимайте блок соковыжималки с блока электродвигателя.

- 6** Установите лоток для ягод на камеру подачи (Рис. 7).

Установка блока соковыжималки на блок электродвигателя

- 1** Поместите собранный блок соковыжималки на блок электродвигателя, установив насадку для мякоти в отверстие на блоке электродвигателя (Рис. 8).
- 2** Совместите выступы блока соковыжималки с пазами на блоке электродвигателя. Установите блок соковыжималки на блок электродвигателя до щелчка. (Рис. 9)
- 3** Нажмите на блок соковыжималки, чтобы зафиксировать его на блоке электродвигателя (1), затем закройте фиксатор (2). (Рис. 10)

Примечание. Если не удастся закрыть фиксатор, убедитесь в том, что блок соковыжималки установлен надлежащим образом: выступы блока соковыжималки совмещены с пазами на блоке электродвигателя.

- 4** Установите контейнер для мякоти на блок электродвигателя (Рис. 11).

Использование прибора

Прибор работает только в том случае, если блок соковыжималки и насадка для мякоти собраны правильно, а фиксатор закрыт.

- 1** Перед тем как поместить овощи и/или фрукты в камеру подачи, вымойте их и при необходимости разрежьте на части.

Примечание. Удаляйте несъедобные косточки и толстую кожуру с фруктов, например апельсинов, гранатов и т. д.

- 2** Поставьте кувшин или стакан под носик подачи сока (Рис. 12).
- 3** Нажмите кнопку включения/выключения для включения прибора (Рис. 13).
- 4** Поместите кусочки фруктов или овощей в камеру подачи и с помощью толкателя аккуратно протолкните внутрь к шнековому валу (Рис. 14).

Следите, чтобы пальцы или посторонние предметы не попали в камеру подачи или блок соковыжималки.

- 5** После прекращения поступления сока выключите прибор и дождитесь остановки шнекового вала.
- 6** Нажмите кнопку предварительной очистки для удаления последних остатков сока из блока соковыжималки (Рис. 15).
- 7** Чтобы предотвратить попадание капель сока на стол, нажмите кнопку системы “капля-стоп” (Рис. 16).

Советы

- Используйте свежие фрукты и овощи, так как они содержат больше сока. Для соковыжималки подходят ананасы, свекла, сельдерей, яблоки, огурцы, морковь, шпинат, дыни, томаты, гранаты и виноград.
- Нет необходимости удалять тонкую пленку и кожуру. Удалите только несъедобные части, например, кожуру апельсина, банана, киви, дыни или недозрелые части свеклы.
- Перед приготовлением сока из фруктов с косточками, таких как персики, слива или вишня, удалите из них косточки.
- Во время приготовления сока, помните, что консистенция яблочного сока зависит от того, какой сорт яблок используется. Чем сочнее яблоко, тем более жидким получается сок. Выбирайте тот сорт яблок, из которого получается наиболее предпочитаемый вами сок.
- Яблочный сок очень быстро окисляется. Окисление можно замедлить, добавив в него несколько капель лимонного сока.
- Эта соковыжималка позволяет обрабатывать крахмалистые фрукты, такие как бананы и манго. Можно добавить воду или молоко непосредственно в камеру подачи.
- При помощи соковыжималки также можно выжать сок из цитрусовых. Предварительно удалите цедру, так как она может придать соку горьковатый вкус.

Очистка (Рис. 17)

- Очистку прибора легче выполнять сразу после использования. Инструкции по очистке деталей см. в таблице по очистке прибора.

Запрещается использовать для чистки прибора губки с абразивным покрытием, абразивные чистящие средства или растворители типа бензина или ацетона.

Примечание. Все съемные детали можно мыть в посудомоечной машине или под струей воды.

- 1 Выключите прибор и отсоедините вилку шнура от розетки электросети.
- 2 Откройте фиксатор (Рис. 18).
- 3 Снимите блок соковыжималки с блока электродвигателя (Рис. 19).
- 4 Снимите контейнер для мякоти с блока электродвигателя (Рис. 20).
- 5 Очистите контейнер для мякоти и промойте его под струей воды.

Разборка и очистка блока соковыжималки

- 1 Извлеките толкатель из камеры подачи (Рис. 21).
- 2 Снимите лоток для ягод с камеры подачи (Рис. 22).
- 3 Поверните носик подачи сока против часовой стрелки до тех пор, пока стрелка (◀) не будет установлена в положение “открыто”, и снимите его с блока соковыжималки. (Рис. 23)
- 4 Извлеките двухкомпонентный фильтр и разберите его (Рис. 24).
- 5 Поверните насадку для мякоти против часовой стрелки до тех пор, пока стрелка (◀) не будет установлена в положение “открыто”, и снимите насадку с блока соковыжималки. (Рис. 25)
- 6 Извлеките шнек для сока (рис. 26).

Хранение

- 1 Намотайте шнур питания на приспособление для хранения шнура на подставке блока электродвигателя (Рис. 27).
- 2 Вы можете хранить кувшин для сока и крышку (только для HR1942, HR1943, HR1944, HR1945, HR1947, HR1949), а также поддон для ягод, в контейнере для мякоти (Рис. 28).

Утилизация

- Этот символ означает, что продукт не может быть утилизирован вместе с бытовыми отходами (2012/19/ЕС) (Рис. 29).
- Выполняйте раздельную утилизацию электрических и электронных изделий в соответствии с правилами, принятыми в вашей стране. Правильная утилизация поможет предотвратить негативное воздействие на окружающую среду и здоровье человека.

Заказ аксессуаров

Чтобы приобрести аксессуары или запасные части, посетите веб-сайт www.shop.philips.com/service или обратитесь в местную торговую организацию Philips. Вы также можете обратиться в местный центр поддержки потребителей Philips.

Гарантия и поддержка

Для получения поддержки или информации посетите веб-сайт www.philips.com/support или ознакомьтесь с информацией на гарантийном талоне.

Поиск и устранение неисправностей

Данная глава посвящена наиболее распространенным проблемам, возникающим при использовании прибора. Если самостоятельно справиться с возникшими проблемами не удастся, см. список часто задаваемых вопросов на веб-странице www.philips.com/support или обратитесь в центр поддержки потребителей в вашей стране.

Проблема	Способы решения
Прибор не работает.	Прибор оснащен двумя фиксаторами. Если блок соковыжималки или контейнер для мякоти установлен на блок электродвигателя неправильно, прибор не начинает работу. Проверьте, правильно ли установлены эти части (см. раздел “Подготовка прибора к работе”).
Работающий новый прибор при первых включениях издает неприятный запах.	Это нормально. Если спустя некоторое время прибор все еще издает неприятный запах, обратите внимание на количество продуктов и время приготовления.
Не удается установить блок соковыжималки на блок электродвигателя.	Убедитесь, что носик надежно закреплен на блоке соковыжималки. Проверьте, чтобы выступы на блоке соковыжималки были совмещены с пазами на блоке электродвигателя (рис. 9).
Блок соковыжималки заблокирован.	Нажмите и удерживайте кнопку предварительной очистки в течение нескольких секунд. Если блок соковыжималки все еще заблокирован, выключите прибор, снимите блок соковыжималки и разберите его. Извлеките плод, который препятствует работе блока соковыжималки. Уменьшите количество обрабатываемых ингредиентов.
Мигает индикатор питания (только для HR1942, HR1943, HR1944, HR1946, HR1947, HR1949).	Блок соковыжималки заблокирован. Нажмите и удерживайте кнопку предварительной очистки в течение нескольких секунд. Если блок соковыжималки все еще заблокирован, выключите прибор, снимите блок соковыжималки и разберите его. Извлеките плод, который препятствует работе блока соковыжималки. Уменьшите количество обрабатываемых ингредиентов.



Шнековая соковыжималка

Изготовитель: “Филипс Консьюмер Лайфстайл Б.В.», Туссендиепен 4, 9206 АД, Драхтен, Нидерланды

Импортер на территорию России и Таможенного Союза: ООО «ФИЛИПС», Российская Федерация, 123022 г. Москва, ул. Сергея Макеева, д.13, тел. +7 495 961-1111

220-240V, 50-60Hz, 200W

Для бытовых нужд

Вступ

Вітаємо Вас із покупкою та ласкаво просимо до клубу Philips! Щоб у повній мірі скористатися підтримкою, яку пропонує компанія Philips, зареєструйте свій виріб на веб-сайті www.philips.com/welcome.

Ця повільна соковижималка Philips Avance допоможе перемістити усю харчову цінність овочів та фруктів у склянку, щоб Ви могли насолоджуватися смачними і корисними соками щодня. Інноваційна технологія дозволяє максимально вичавлювати фрукти та овочі і швидко чистити пристрій менш ніж за 1 хвилину. Повністю інтегрований дизайн не займає багато місця і забезпечує чудові результати.

Загальний опис (Мал. 1)**A Блок соковижималки**

- ① Штовхач
- ② Лоток для ягід
- ③ Отвір для подачі
- ④ Система проти протікання
- ⑤ Носик
- ⑥ Чорний двокомпонентний фільтр для чистого соку*
- ⑦ Гвинт витискання соку
- ⑧ Отвір для виведення м'якоті

B Блок двигуна

- ⑨ Затискач
- ⑩ Кнопка живлення з індикатором увімкнення
- ⑪ Кнопка зворотного руху/попереднього очищення
- ⑫ Шнур живлення
- ⑬ Пристосування для шнура
- ⑭ Збирач м'якоті
- ⑮ Запобіжні штифти

C Глек (лише HR1942, HR1943, HR1944, HR1945, HR1947, HR1949)

- ⑯ Глек для соку
- ⑰ Кришка глека для соку

*Не зображено: сірий двокомпонентний фільтр для соку з волокнами (лише HR1942, HR1944, HR1946, HR1947, HR1949)

Важлива інформація

Перед тим як використовувати пристрій, уважно прочитайте цей посібник користувача і зберігайте його для майбутньої довідки.

Небезпечно

- Не занурюйте блок двигуна у воду чи іншу рідину. Не споліскуйте його під краном і не мийте у посудомийній машині.

Попередження

- Перед тим, як приєднувати пристрій до мережі, перевірте, чи збігається напруга, вказана на корпусі пристрою, із напругою у мережі.
- Не використовуйте пристрій, якщо штекер, шнур живлення або інші частини пошкоджені. Якщо шнур живлення пошкоджено, для уникнення небезпеки його необхідно замінити, звернувшись

до компанії Philips, сервісного центру, уповноваженого Philips, або фахівців із належною кваліфікацією.

- Цей пристрій призначений виключно для побутового використання. Якщо пристрій використовується неналежно, для (напів-)професійних чи інших цілей всупереч цій інструкції, гарантія втрачає чинність, а компанія Philips не несе відповідальності за заподіяну шкоду.
- Цим пристроєм можуть користуватися особи із послабленими фізичними відчуттями або розумовими здібностями, чи без належного досвіду та знань, за умови, що користування відбувається під наглядом, їм було проведено інструктаж щодо безпечного користування пристроєм та їх було повідомлено про можливі ризики.
- Пристроєм не можна користуватися дітям. Тримайте пристрій і його шнур подалі від дітей.
- Не дозволяйте дітям бавитися пристроєм.
- Ніколи не встромляйте в подавальний отвір пальці чи інші предмети, коли пристрій працює. Для цього використовуйте штовхач.
- Завжди від'єднуйте пристрій від мережі, якщо залишаєте його без нагляду або перед тим як збирати, розбирати чи чистити.
- Завжди розмотуйте шнур живлення повністю, перш ніж увімкнути пристрій.
- Не залишайте пристрій працювати без нагляду.

Увага

- Не використовуйте насадки чи деталі інших виробників, за винятком тих, які рекомендує компанія Philips. Використання таких насадок чи деталей призведе до втрати гарантії.
- Завжди ставте пристрій на стійку рівну горизонтальну поверхню.
- Не використовуйте пристрій на вулиці.
- Уникайте контакту з рухомими деталями.
- Перед тим як вмикати пристрій, перевірте, чи усі деталі правильно зібрані.
- Використовуйте пристрій лише коли затискач знаходиться у положенні блокування.
- Розблокуйте затискач лише після вимкнення пристрою і зупинення гвинта витискання соку.
- Не виймайте збирач м'якоті, коли пристрій працює.
- Продукти великого розміру поріжте на шматки відповідно до розміру отвору для подачі. Перш ніж починати витискання соку,

видалить із фруктів або овочів кісточки, серцевину, зернята та почистьте товсту шкірку.

- Для запобігання пошкодженню не тисніть на штовхач надто сильно.
- Харчові барвники можуть спричинити зміну кольору частин. Це нормально і не впливає на роботу пристрою.
- Для оптимізації строку служби пристрою не використовуйте його безперервно протягом більш ніж 30 хвилин.
- Рівень шуму: $L_s = 78 \text{ dB (A)}$.

Вбудована система запобіжного блокування

Пристрій обладнано вбудованою системою запобіжного блокування. Запобіжні штифти на блоці двигуна забезпечують можливість вмикання пристрою лише в разі належного встановлення блока соковижималки та збирача м'якоті на блоці двигуна.

Електромагнітні поля (ЕМП)

Цей пристрій Philips відповідає усім чинним стандартам та правовим нормам, що стосуються впливу електромагнітних полів.

Перед першим використанням

Перед першим використанням пристрою ретельно помийте усі його частини (див. розділ "Чищення").

Примітка: Перед тим як використовувати пристрій, перевірте, чи всі частини сухі.

Підготовка до використання

Збирання блока соковижималки

- 1** Встановіть отвір для видалення м'якоті на блок соковижималки і поверніть його за годинниковою стрілкою, щоб стрілка (◀) вказувала на індикацію "заблоковано". (Мал. 2)
- 2** Вставте гвинт витискання соку у блок соковижималки (мал. 3).
- 3** Зберіть дві частини фільтра (Мал. 4).
- 4** Вставте двокомпонентний фільтр на гвинт витискання соку (Мал. 5).

Порада: Використовуйте чорний двокомпонентний фільтр для чистого соку. Якщо Ви надаєте перевагу мутному соку з більшою кількістю волокон, використовуйте сірий двокомпонентний фільтр.

- 5** Встановіть носик на блок соковижималки і поверніть його за годинниковою стрілкою, щоб стрілка (◀) вказувала на індикацію "заблоковано". (Мал. 6)

Важливо: не встановлюйте і не від'єднуйте носик, коли блок соковижималки встановлено на блок двигуна. Завжди знімайте блок соковижималки з блока двигуна перед збиранням або розбиранням.

- 6** Розмістіть лоток для ягід на отворі для подачі (Мал. 7).

Розміщення блока соковижималки на блоці двигуна

- 1** Встановіть зібраний блок соковижималки на блок двигуна, припасувавши отвір для виведення м'якоті до отвору на блоці двигуна (Мал. 8).
- 2** Вирівняйте виступи на блоці соковижималки з пазами на блоці двигуна. Вставте блок соковижималки на блок двигуна до фіксації. (Мал. 9)
- 3** Притисніть блок соковижималки до блока двигуна (1) і закрийте затискач (2). (Мал. 10)

Примітка: Якщо затискач неможливо закрити, перевірте, чи блок соковижималки розташовано належним чином і виступи на блоці соковижималки попадають у пази на блоці двигуна.

4 Встановіть збирач м'якоті на блок двигуна (Мал. 11).

Застосування пристрою

Пристрій працює лише тоді, коли блок соковижималки та отвір для виведення м'якоті встановлено належним чином, а затискач заблоковано належним чином.

1 Помийте фрукти та/або овочі. Якщо потрібно, поріжте їх на шматки відповідно до розміру отвору для подачі.

Примітка. Вийміть кісточки і зніміть товсту шкірку з фруктів, яку Ви не будете їсти (наприклад, з апельсинів, граната тощо).

2 Поставте глек або склянку під носик (Мал. 12).

3 Натисніть кнопку "увімк./вимк.", щоб увімкнути пристрій (Мал. 13).

4 Покладіть шматки фруктів або овочів в отвір для подачі і за допомогою штовхача легенько потисніть їх донизу до гвинта витискання соку (Мал. 14).

Ніколи не встромляйте пальці чи інші об'єкти в отвір подачі або блок соковижималки.

5 Коли потік соку зупиниться, вимкніть пристрій і почекайте, поки гвинт витискання соку перестане обертатися.

6 Натисніть кнопку попереднього очищення, щоб видалити останні краплі соку з блока соковижималки (Мал. 15).

7 Щоб сік не скрапував на стіл, натисніть кнопку системи проти протікання (Мал. 16).

Поради

- Використовуйте свіжі фрукти та овочі, адже в них міститься більше соку. Для переробки у соковижималці особливо підходять ананаси, буряки, гранати, пагінці селери, яблука, огірки, морква, шпинат, дині, помідори та виноград.
- Тонку шкірку з продуктів можна не знімати. Радимо знімати лише неїстівну шкірку (наприклад, з апельсинів, ананасів, ківі, дині чи сирого буряка).
- У разі витискання соку з фруктів із кісточками (наприклад, із персиків, слив або вишень) потрібно попередньо видалити з них кісточки.
- Готуючи яблучний сік, пам'ятайте, що консистенція соку залежить від сорту яблук. Чим соковитіше яблуко, тим рідший сік. Вибирайте такий сорт яблук, з якого можна отримати бажаний тип соку.
- Яблучний сік дуже швидко темніє. Щоб сповільнити цей процес, додайте кілька крапель лимонного соку.
- Ця соковижималка може обробляти такі фрукти з крохмалем, як банани та манго. Можна додати молока або води безпосередньо через отвір для подачі.
- За допомогою соковижималки також можна обробляти цитрусові, знімаючи білу шкірку, оскільки вона додає гіркоти.

Чищення (Мал. 17)

- Пристрій легше чистити одразу після використання. На таблиці з чищення показано, як можна почистити усі частини.

Ніколи не використовуйте для чищення пристрою жорстких губок, абразивних засобів чи рідин для чищення, таких як спирт, бензин чи ацетон.

Примітка: Усі знімні частини можна мити в посудомийній машині, а також безпечно мити під краном.

- 1 Вимкніть пристрій і витягніть штепсель із розетки.
- 2 Відкрийте затискач (Мал. 18).
- 3 Зніміть блок соковижималки з блока двигуна (Мал. 19).
- 4 Зніміть збирач м'якоті з блока двигуна (Мал. 20).
- 5 Спорожніть збирач м'якоті і сполосніть його під краном.

Розбирання та чищення блока соковижималки

- 1 Вийміть штовхач з отвору для подачі (Мал. 21).
- 2 Зніміть лоток для ягід з отвору для подачі (Мал. 22).
- 3 Поверніть носик проти годинникової стрілки, поки стрілка (◀) не буде вказувати на індикацію "відкр.", і зніміть його з блока соковижималки. (Мал. 23)
- 4 Зніміть двокомпонентний фільтр і розберіть його (Мал. 24).
- 5 Поверніть отвір для виведення м'якоті проти годинникової стрілки, поки стрілка (◀) не буде вказувати на індикацію "відкр.", і зніміть його з блока соковижималки. (Мал. 25)
- 6 Вийміть гвинт витискання соку. (мал. 26).

Зберігання

- 1 Намотайте шнур живлення навколо пристосування для шнура внизу блока двигуна (Мал. 27).
- 2 Глек для соку і кришку (лише HR1942, HR1943, HR1944, HR1945, HR1947, HR1949), а також лоток для ягід можна зберігати у збирачі м'якоті (мал. 28).

Утилізація

- Цей символ означає, що цей виріб не підлягає утилізації зі звичайними побутовими відходами (2012/19/EU) (Мал. 29).
- Дотримуйтесь правил розділеного збору електричних та електронних пристроїв у Вашій країні. Належна утилізація допоможе запобігти негативному впливу на навколишнє середовище та здоров'я людей.

Замовлення приладь

Щоб придбати приладдя чи запасні частини, відвідайте веб-сайт www.shop.philips.com/service або зверніться до дилера Philips. Можна також звернутися до Центру обслуговування клієнтів Philips у Вашій країні.

Гарантія та підтримка

Якщо Вам необхідна інформація чи підтримка, відвідайте веб-сайт www.philips.com/support чи прочитайте окремих гарантійний талон.

Усунення несправностей

У цьому розділі зведено основні проблеми, які можуть виникнути під час використання пристрою. Якщо Ви не в змозі вирішити проблему за допомогою інформації, поданої нижче, відвідайте веб-сайт www.philips.com/support для перегляду списку частих запитань або зверніться до Центру обслуговування клієнтів у своїй країні.

Проблема	Вирішення
Пристрій не працює.	Пристрій обладнано двома запобіжними штифтами. Якщо блок соковижималки або збирач м'якоті не буде встановлено на блок двигуна належним чином, пристрій не працюватиме. Перевірте, чи правильно зібрано ці частини (див. розділ «Підготовка до використання»).
Під час першого використання з двигуна виходить неприємний запах.	Це нормально. Якщо з пристрою продовжує виходити неприємний запах після кількох разів використання, перевірте, чи Ви переробляєте відповідну кількість продуктів і чи правильний час обробки.
Блок соковижималки не вдається встановити на блок двигуна.	Перевірте, чи носик встановлений на блоці соковижималки належним чином. Перевірте, чи виступи на блоці соковижималки вирівняно з пазами на блоці двигуна (див. мал. 9).
Блок соковижималки заблоковано.	Натисніть кнопку попереднього очищення та утримуйте кілька секунд. Якщо блок соковижималки все ще заблоковано, вимкніть пристрій, вийміть блок соковижималки і розберіть усі частини. Вийміть фрукт, який блокує блок соковижималки. Потім обробляйте меншу кількість продуктів.
Індикатор роботи блимає (лише HR1942, HR1943, HR1944, HR1946, HR1947, HR1949).	Блок соковижималки заблоковано. Натисніть кнопку попереднього очищення та утримуйте кілька секунд. Якщо блок соковижималки все ще заблоковано, вимкніть пристрій, вийміть блок соковижималки і розберіть усі частини. Вийміть фрукт, який блокує блок соковижималки. Потім обробляйте меншу кількість продуктів.