

MODEL: PINKO QUEEN BED



Read this instruction carefully. See hardware and furniture part list for guidance. Be sure all part is complete, before you assemble. Place all wooden furniture part on a clean and flat soft surface to prevent from being scratched. Follow the figure to start assembling.

CAUTION:

1. Do not FULLY-TIGHTEN the nut or bolt untill all nut or nut bolt is ready to assembled.
2. Do not OVER-TIGHTEN the nut or nut bolt to avoid causing damages to the thread.
3. Keep all hardware part out of reach of children.

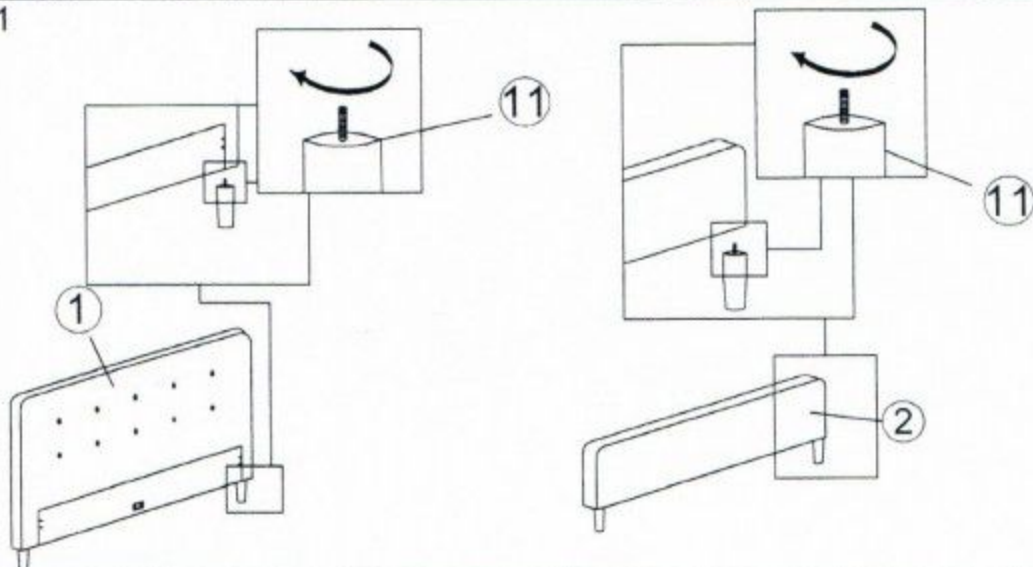
PART LIST

NO	DESCRIPTION	QTY
1	HEADBOARD	1 PC
2	FOOTBOARD	1 PC
3	SIDE RAIL	2 PCS
4	CENTER RAIL	1 PC
5	LVL SLATS	32 PCS
6	SUPPORT LEG-LONG	2 PCS
7	SUPPORT LEG-SHORT	1 PC
8	VERTICAL RAIL	1 PC
9	SIDE PLASTIC CAP	32 PCS
10	CENTER PLASTIC CAP	16 PCS
11	BED LEG	4 PCS

HARDWARE LIST

NO	DESCRIPTION	QTY
A	JCBB M8 X 40MM	8PCS
B	JCBC M6 X 50MM	4PCS
C	JCBC M6 X 70MM	1PC
D	SPRING WASHER 5/16"	13PCS
E	FLAT WASHER 5/16"	8PCS
F	FLAT WASHER 1/4"	5PCS
G	ALLEN KEY M4	1PC
H	ALLEN KEY M5	1PC

STEP 1



STEP 2

