

Libretto d' uso

User manual

Manuel d'utilisation

Gebrauchsanleitung

Gebruiksaanwijzing

Manual de uso

Livro para utilização

Brugsvejledning

Användningshandbok

Руководство по эксплуатации

Instrukcja użytkowania

Bruksveiledning

كتيب الاستعمال

KSET66E - KSET66VSE

KSET66VNE - KSET66VBE - KSET96E

INDICE

IT

CONSIGLI E SUGGERIMENTI.....	5
CARATTERISTICHE.....	6
INSTALLAZIONE.....	7
USO.....	9
MANUTENZIONE.....	10

INDEX

EN

RECOMMENDATIONS AND SUGGESTIONS.....	11
CHARACTERISTICS.....	12
INSTALLATION.....	13
USE.....	15
MAINTENANCE.....	16

SOMMAIRE

FR

CONSEILS ET SUGGESTIONS.....	17
CARACTERISTIQUES.....	18
INSTALLATION.....	19
UTILISATION.....	21
ENTRETIEN.....	22

INHALTSVERZEICHNIS

DE

EMPFEHLUNGEN UND HINWEISE.....	23
CHARAKTERISTIKEN.....	24
MONTAGE.....	25
BEDIENUNG.....	27
WARTUNG.....	28

INHOUDSOPGAVE

NL

ADVIEZEN EN SUGGESTIES.....	29
EIGENSCHAPPEN.....	30
INSTALLATIE.....	31
GEBRUIK.....	33
ONDERHOUD.....	34

ÍNDICE

ES

CONSEJOS Y SUGERENCIAS.....	35
CARACTERÍSTICAS.....	36
INSTALACIÓN.....	37
USO.....	39
MANTENIMIENTO.....	40

ÍNDICE

PT

CONSELHOS E SUGESTÕES.....	41
CARACTERÍSTICAS	42
INSTALAÇÃO.....	43
UTILIZAÇÃO	45
MANUTENÇÃO.....	46

УКАЗАТЕЛЬ

RU

СОВЕТЫ И РЕКОМЕНДАЦИИ	47
ХАРАКТЕРИСТИКИ	48
УСТАНОВКА.....	49
ЭКСПЛУАТАЦИЯ.....	51
УХОД.....	52

INNEHÅLL

SE

REKOMMENDATIONER OCH TIPS	53
EGENSKAPER	54
INSTALLATION.....	55
ANVÄNDING	57
UNDERHÅLL.....	58

INDHOLD

DK

RÅD OG ANVISNINGER	59
APPARATBESKRIVELSE	60
INSTALLATION.....	61
BRUG	63
VEDLIGEHOJDELSE	64

SPIS TREŚCI

PL

UWAGI I SUGESTIE	65
WŁAŚCIWOŚCI TECHNICZNE	66
INSTALACJA.....	67
UŻYTKOWANIE	69
KONSERWACJA	70

INNHOOLD

NO

ANBEFALINGER OG FORSLAG	71
EGENSKAPER	72
INSTALLASJON.....	73
BRUK	75
VEDLIKEHOLD	76

الفهرس

اقتراحات وارشادات.....	77
الخصائص.....	78
التركيب.....	79
الاستخدام.....	81
عملية الصيانة.....	82

RECOMMENDATIONS AND SUGGESTIONS

⚠ The Instructions for Use apply to several versions of this appliance. Accordingly, you may find descriptions of individual features that do not apply to your specific appliance.

INSTALLATION

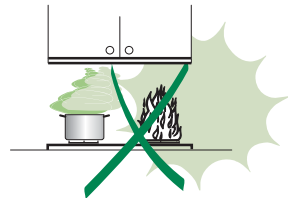
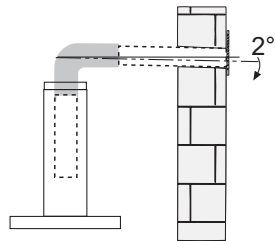
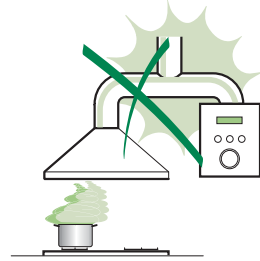
- The manufacturer will not be held liable for any damages resulting from incorrect or improper installation.
- The minimum safety distance between the cooker top and the extractor hood is 650 mm (some models can be installed at a lower height, please refer to the paragraphs on working dimensions and installation).
- Check that the mains voltage corresponds to that indicated on the rating plate fixed to the inside of the hood.
- For Class I appliances, check that the domestic power supply guarantees adequate earthing. Connect the extractor to the exhaust flue through a pipe of minimum diameter 120 mm. The route of the flue must be as short as possible.
- Do not connect the extractor hood to exhaust ducts carrying combustion fumes (boilers, fireplaces, etc.).
- If the extractor is used in conjunction with non-electrical appliances (e.g. gas burning appliances), a sufficient degree of aeration must be guaranteed in the room in order to prevent the backflow of exhaust gas. The kitchen must have an opening communicating directly with the open air in order to guarantee the entry of clean air. When the cooker hood is used in conjunction with appliances supplied with energy other than electric, the negative pressure in the room must not exceed 0,04 mbar to prevent fumes being drawn back into the room by the cooker hood.
- In the event of damage to the power cable, it must be replaced by the manufacturer or by the technical service department, in order to prevent any risks.
- If the instructions for installation for the gas hob specify a greater distance specified above, this has to be taken into account. Regulations concerning the discharge of air have to be fulfilled.


USE

- The extractor hood has been designed exclusively for domestic use to eliminate kitchen smells.
- Never use the hood for purposes other than for which it has been designed.
- Never leave high naked flames under the hood when it is in operation.
- Adjust the flame intensity to direct it onto the bottom of the pan only, making sure that it does not engulf the sides.
- Deep fat fryers must be continuously monitored during use: overheated oil can burst into flames.
- Do not flambé under the range hood; risk of fire
- This appliance is not intended for use by persons (including children) with reduced physical, sensory or mental capabilities, or lack of experience and knowledge, unless they have been given supervision or instruction concerning use of the appliance by a person responsible for their safety.
- Children should be supervised to ensure that they do not play with the appliance.
- "CAUTION: Accessible parts may become hot when used with cooking appliances."

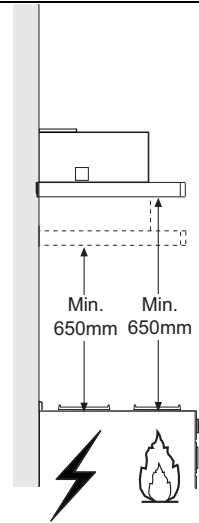
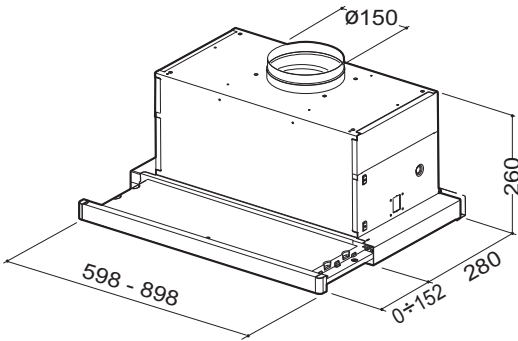
MAINTENANCE

- Switch off or unplug the appliance from the mains supply before carrying out any maintenance work.
- Clean and/or replace the Filters after the specified time period (Fire hazard).
- Clean the hood using a damp cloth and a neutral liquid detergent.



The symbol  on the product or on its packaging indicates that this product may not be treated as household waste. Instead it shall be handed over to the applicable collection point for the recycling of electrical and electronic equipment. By ensuring this product is disposed of correctly, you will help prevent potential negative consequences for the environment and human health, which could otherwise be caused by inappropriate waste handling of this product. For more detailed information about recycling of this product, please contact your local city office, your household waste disposal service or the shop where you purchased the product.

CHARACTERISTICS

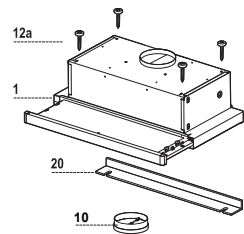


Components

Ref.	Q.ty	Product Components
1	1	Hood Body, complete with: Controls, Light, Blower, Filters
20	1	Closing element
10	1	Damper (optional)

Ref.	Q.ty	Installation Components
12a	4	Screws 4,2 x 44,4

Q.ty	Documentation
1	Instruction Manual

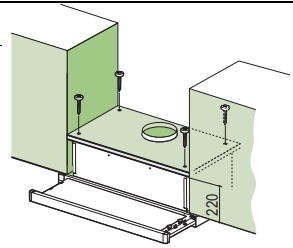


INSTALLATION

Drilling the Support surface and Fitting the Hood

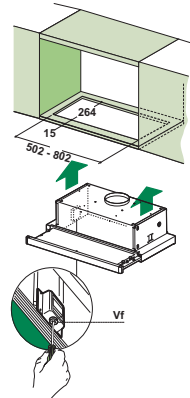
SCREW FITTING

- The hood support surface must be 220 mm above the bottom surface of the wall units.
- Drill the support with a $\varnothing 4,5$ mm drill bit, using the drilling template provided.
- Cut a hole $\varnothing 150$ mm in size on the support surface, using the drilling template provided.
- Fix using the 4 screws **12a** (4,2 x 44,4) provided.



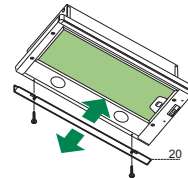
SNAP-ON FITTING

- The hood can be installed either directly on the bottom surface of the wall units using snap-on side supports.
- Cut a fitted opening in the bottom surface of the wall unit, as shown.
- Insert the hood until the side supports snap into place.
- Lock in position by tightening the screws **Vf** from underneath the hood.



CLOSING ELEMENT

- The space between the edge of the hood and the rear wall can be closed by applying the element **20** provided, using the screws supplied for this purpose.

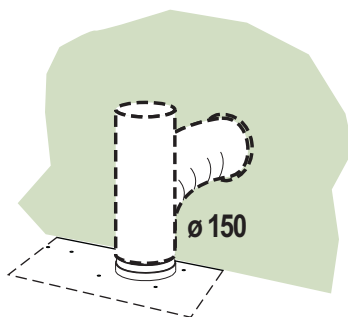


Connections

DUCTED VERSION AIR EXHAUST SYSTEM

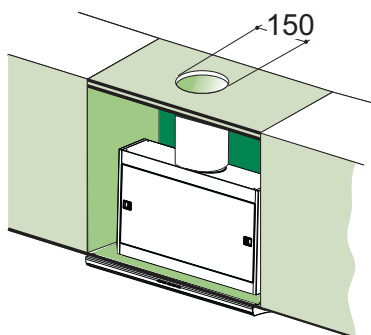
When installing the ducted version, connect the hood to the chimney using either a flexible or rigid pipe \varnothing 150 mm, the choice of which is left to the installer.

- Fix the pipe in position using sufficient pipe clamps (not supplied).
- Remove any activated charcoal filters.



RECIRCULATION VERSION AIR OUTLET

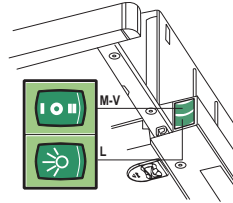
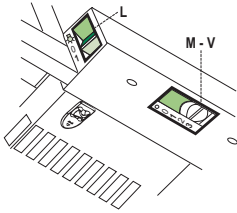
- Cut a hole \varnothing 150 mm in the wall unit over the hood.
- Connect the hood body outlet to the top part of the wall unit using a rigid or flexible pipe \varnothing 150 mm, to be selected by the installer.
- Fix the pipe in position using sufficient pipe clamps (not supplied).
- Ensure that the activated charcoal filters have been inserted.



ELECTRICAL CONNECTION

- Connect the hood to the mains through a two-pole switch having a contact gap of at least 3 mm.
- When opening the sliding carriage for the first time after installing the hood, pull it out briskly until it clicks.

Control panel



- | | | |
|----------|-------|--|
| L | Light | Switches the lighting system on and off. |
| M | Motor | Switches the extractor motor on and off. |
| V | Speed | Sets the operating speed of the extractor: |
| | | <ol style="list-style-type: none"> 1. Low speed, used for a continuous and silent air change in the presence of light cooking vapour. 2. Medium speed, suitable for most operating conditions given the optimum treated air flow/noise level ratio. 3. Maximum speed, used for eliminating the highest cooking vapour emission, including long periods. |

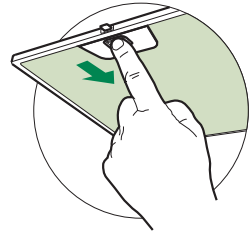
- | | | |
|----------|-------|---|
| L | Light | Switches the lighting system on and off. |
| M | Motor | Switches the extractor motor on and off. |
| V | Speed | Sets the operating speed of the extractor: |
| | | <ol style="list-style-type: none"> 1. Low speed, used for a continuous and silent air change in the presence of light cooking vapour. 2. Medium speed, suitable for most operating conditions given the optimum treated air flow/noise level ratio. |

MAINTENANCE

Grease filters

CLEANING METAL SELF-SUPPORTING GREASE FILTERS

- The filters must be cleaned every 2 months of operation, or more frequently for particularly heavy usage, and can be washed in a dishwasher.
- Remove the filters one at a time by pushing them towards the back of the group and pulling down at the same time.
- Wash the filters, taking care not to bend them. Allow them to dry before refitting.
- When refitting the filters, make sure that the handle is visible on the outside.

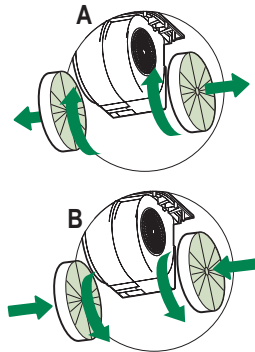


Activated charcoal filter (Recirculation version)

These filters are not washable and cannot be regenerated, and must be replaced approximately every 4 months of operation, or more frequently with heavy usage.

REPLACING THE ACTIVATED CHARCOAL FILTER

- Remove the metal grease filters
- Remove the saturated activated charcoal filter as shown (A).
- Fit the new filters (B).
- Replace the metal grease filters.



Lighting unit

Warning: This appliance is fitted with a white LED lamp classed as 1M according to EN 60825-1: 1994 + A1:2002 + A2:2001 standards; maximum optical power emitted @439nm: 7 μ W. Do not look directly at the light through optical devices (binoculars, magnifying glasses...).

- For replacement contact technical support. ("To purchase contact technical support")