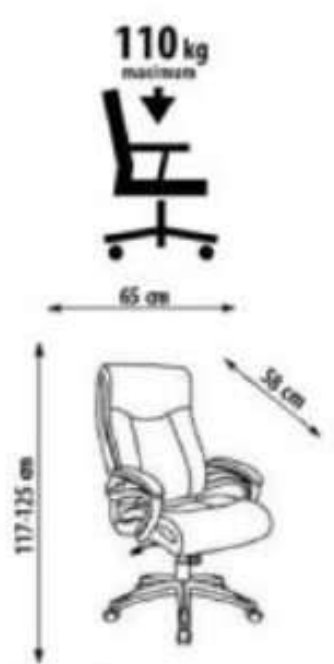
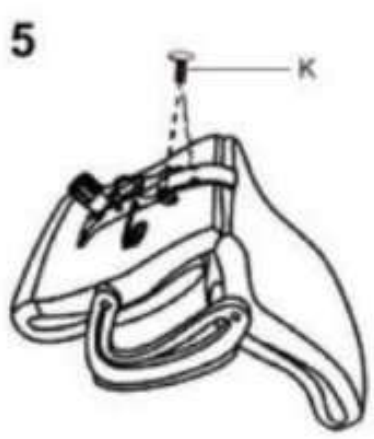


A		1	G		1
B		1	H		1
C		1	I		4
C ₁		1	J		4
D		1	K		4
E		1	L		4
F		5			

1/2



2/2