

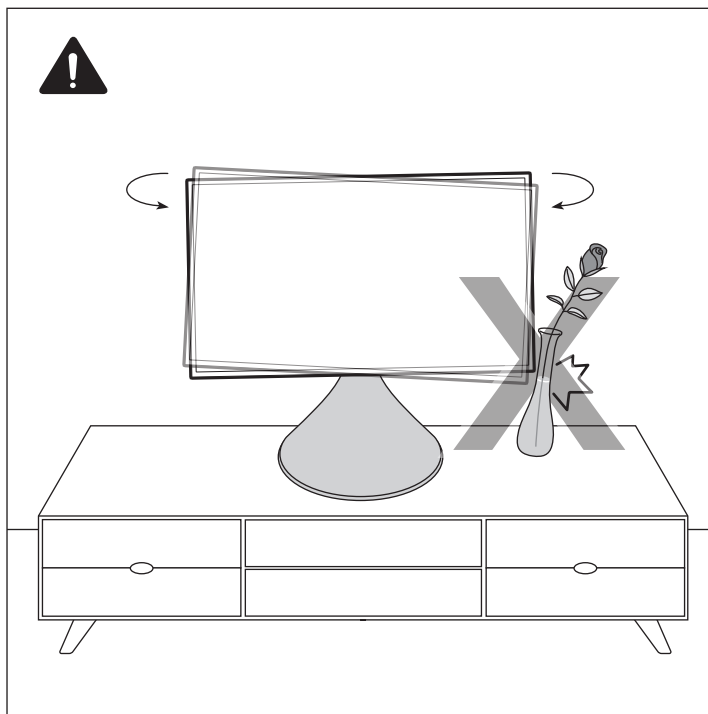
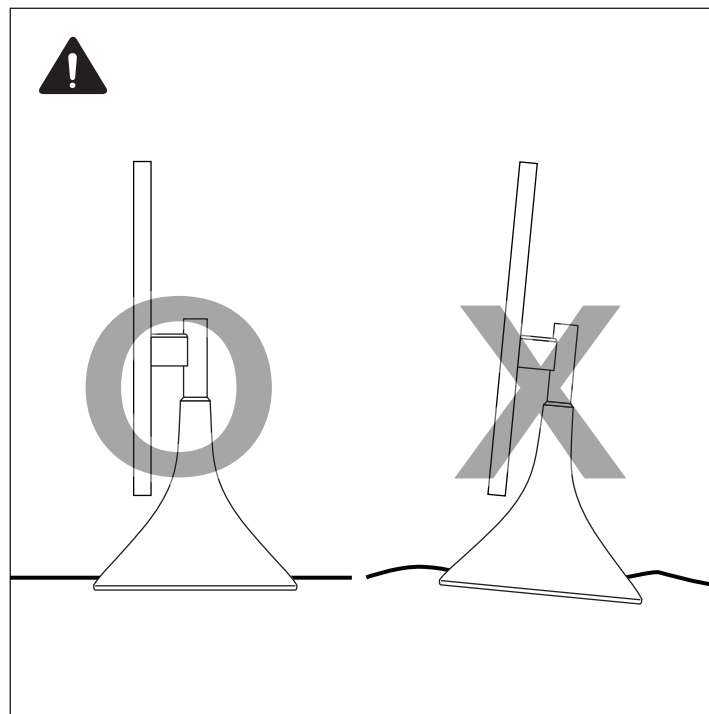
# SAMSUNG

## GRAVITY STAND | LS003 (The Frame) 55", 65"

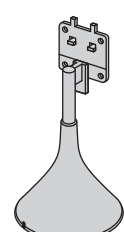
# QUICK SETUP GUIDE




BN68-08683A-X0




**Components**




Gravity-Stand



A Cover-Top




B Cover-Bottom



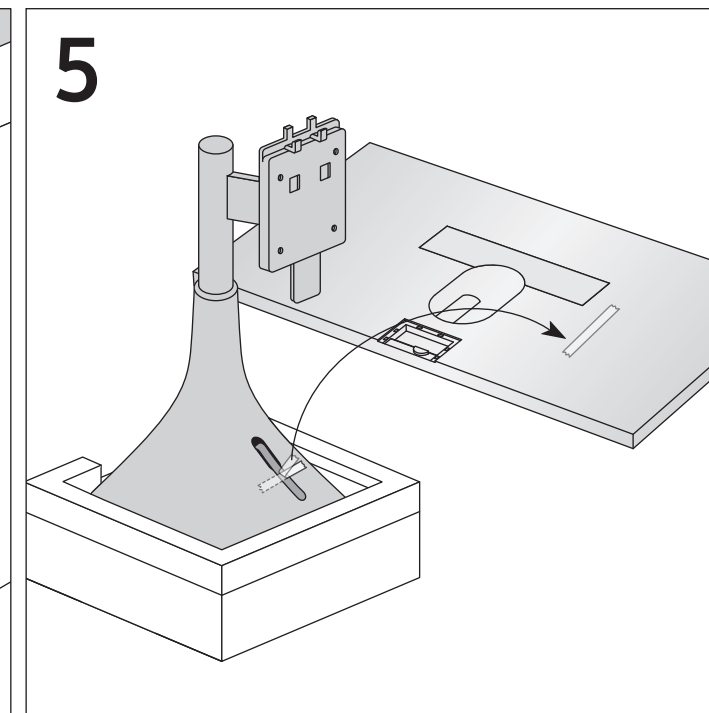
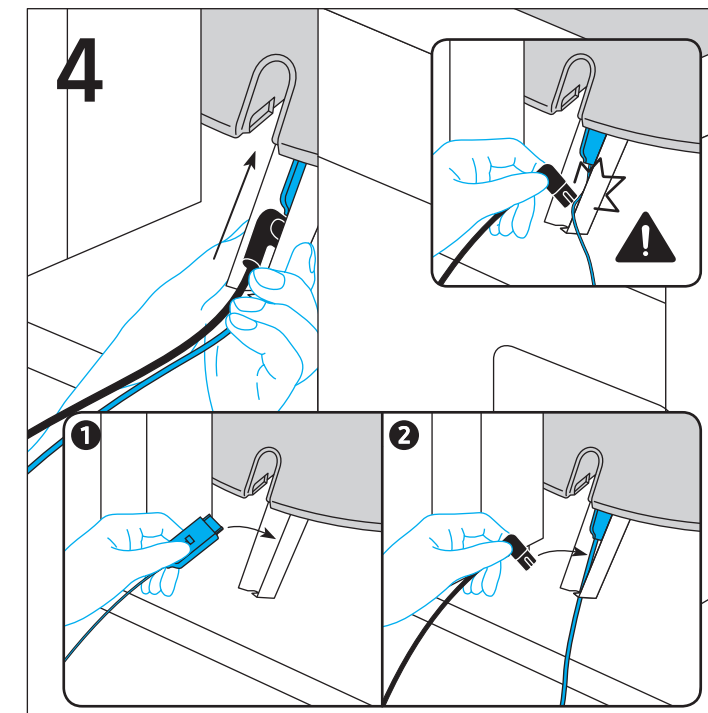
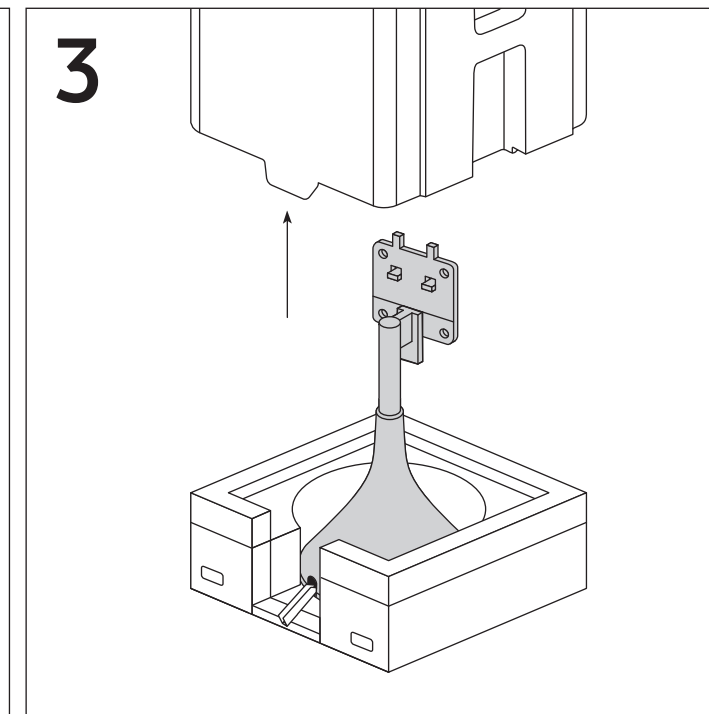
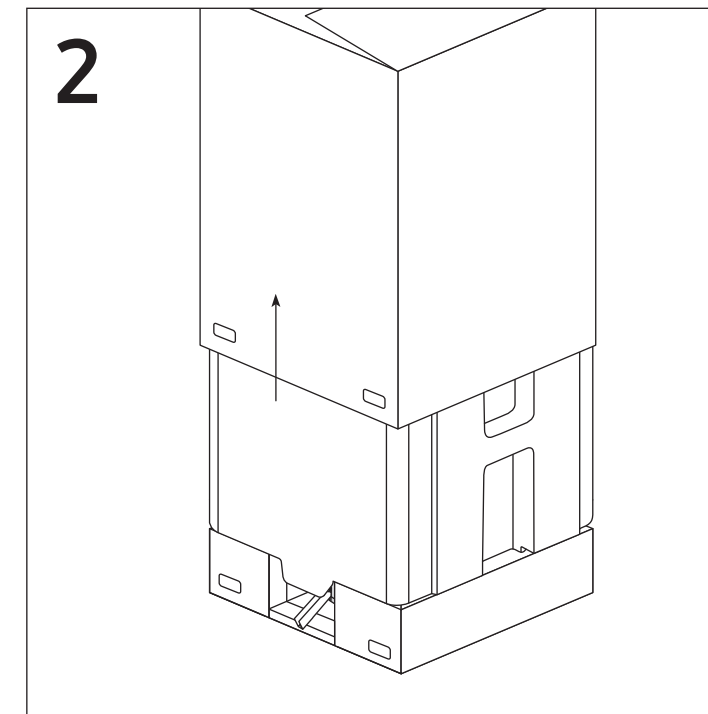
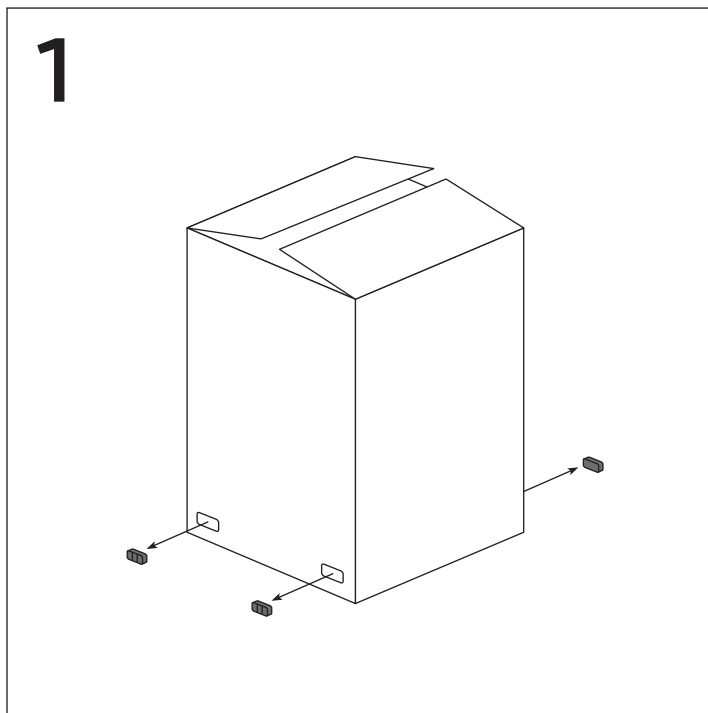
X4

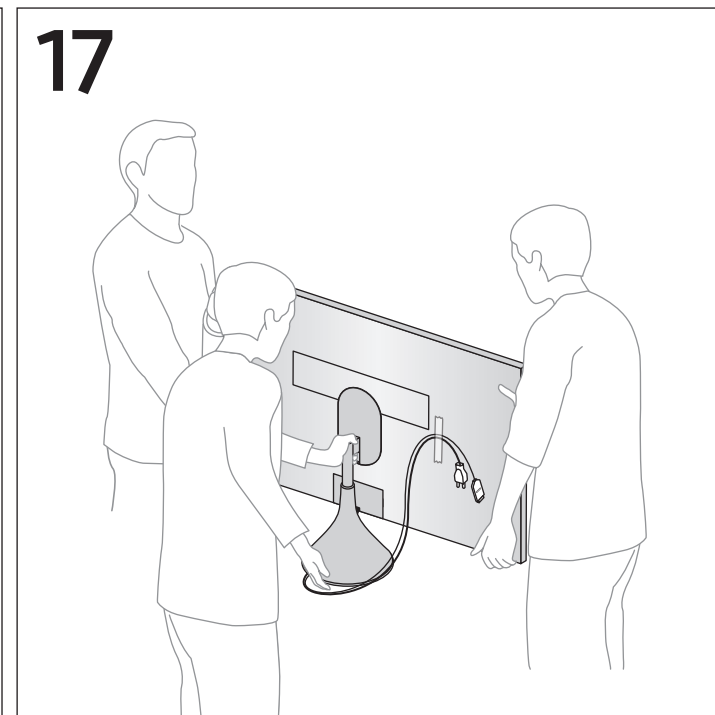
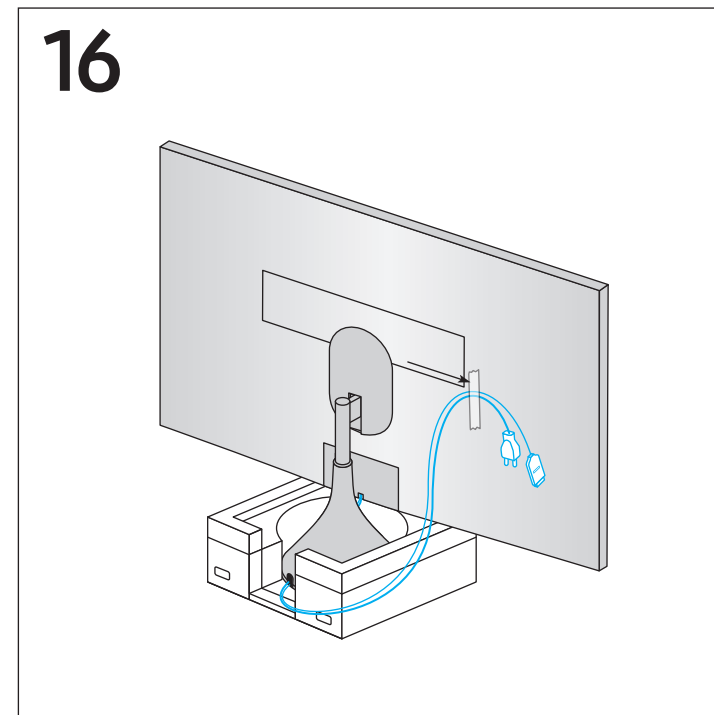
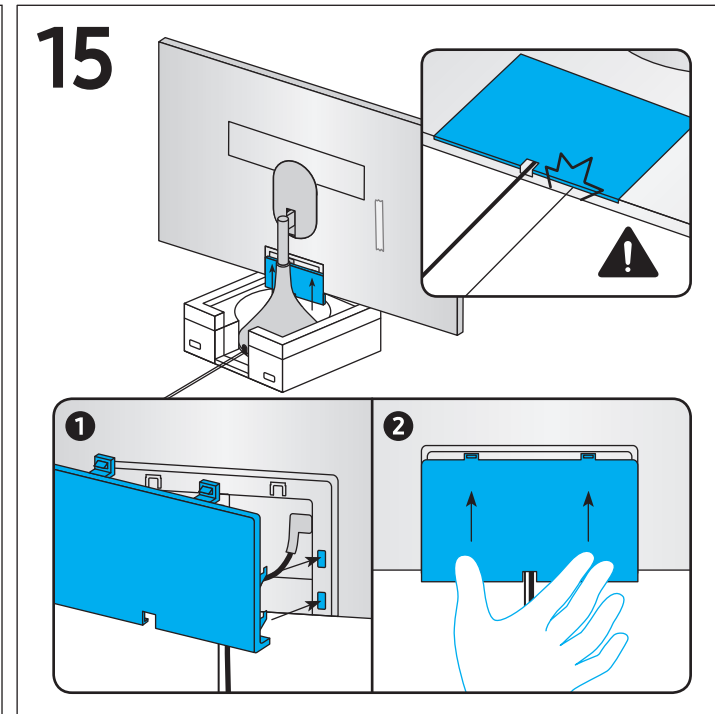
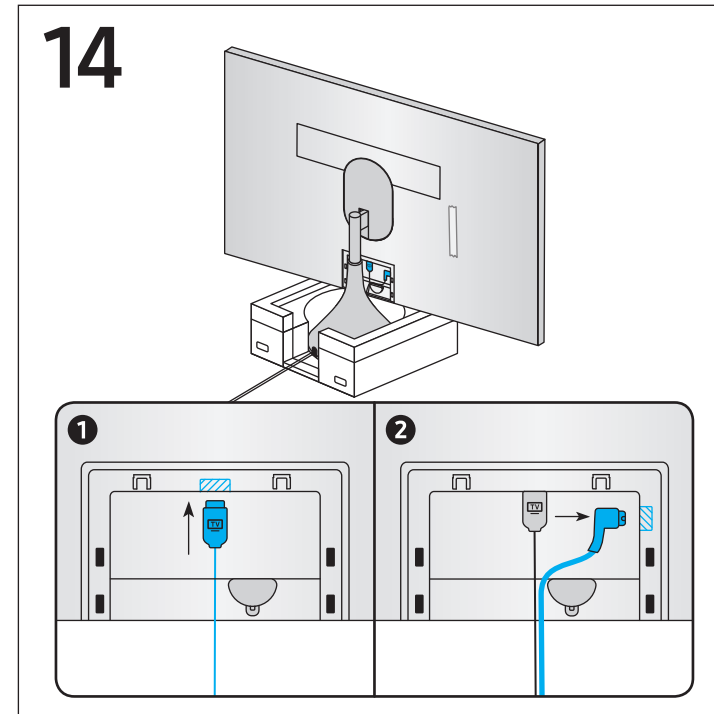
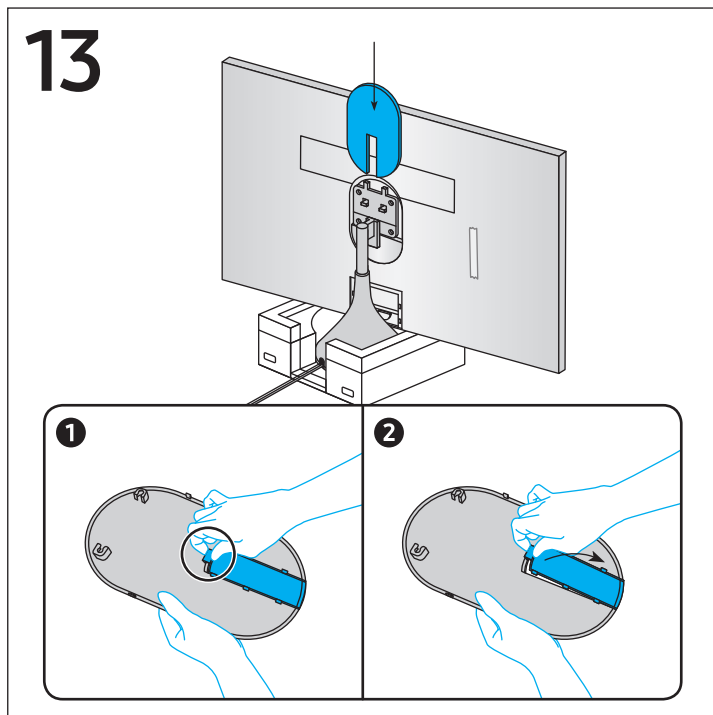
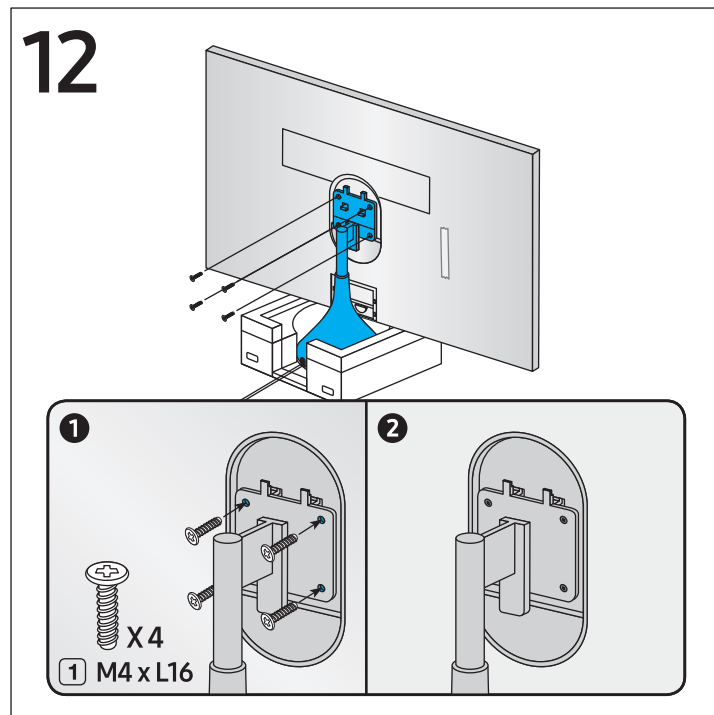
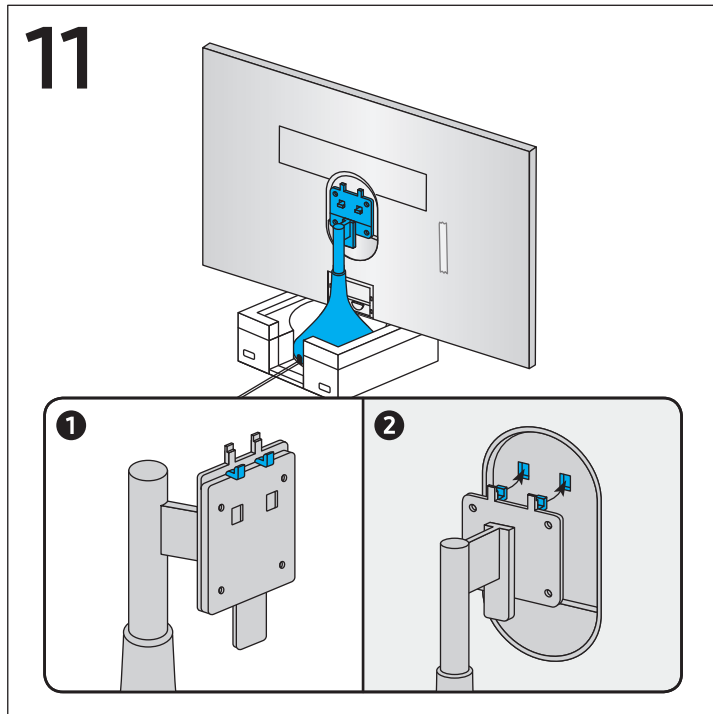
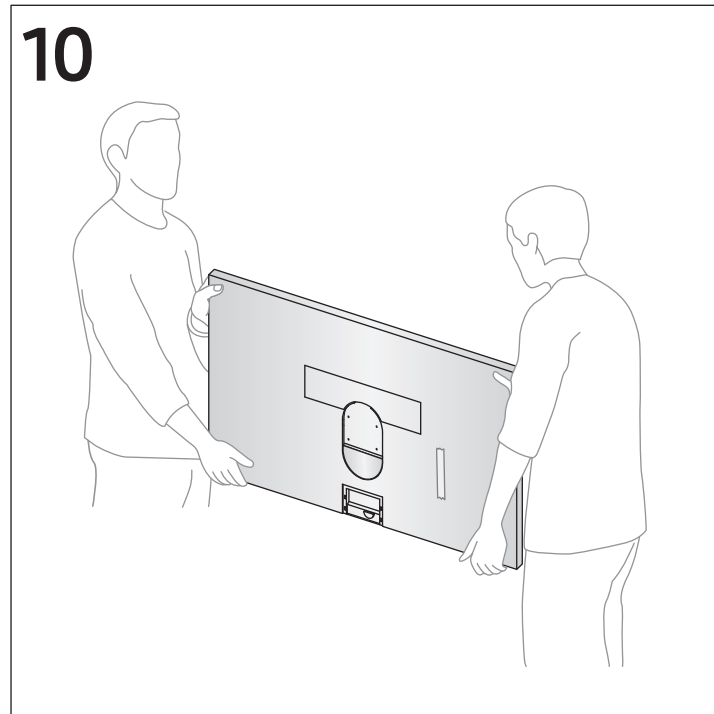
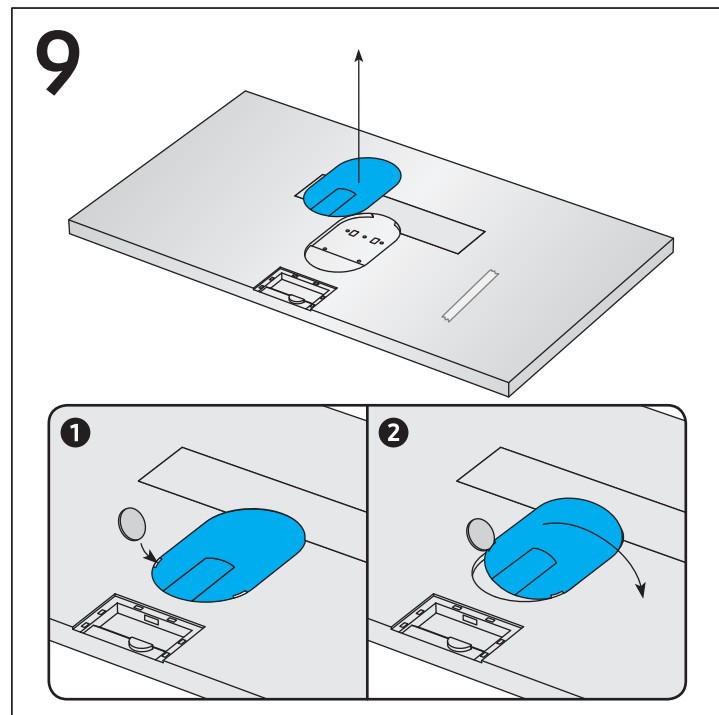
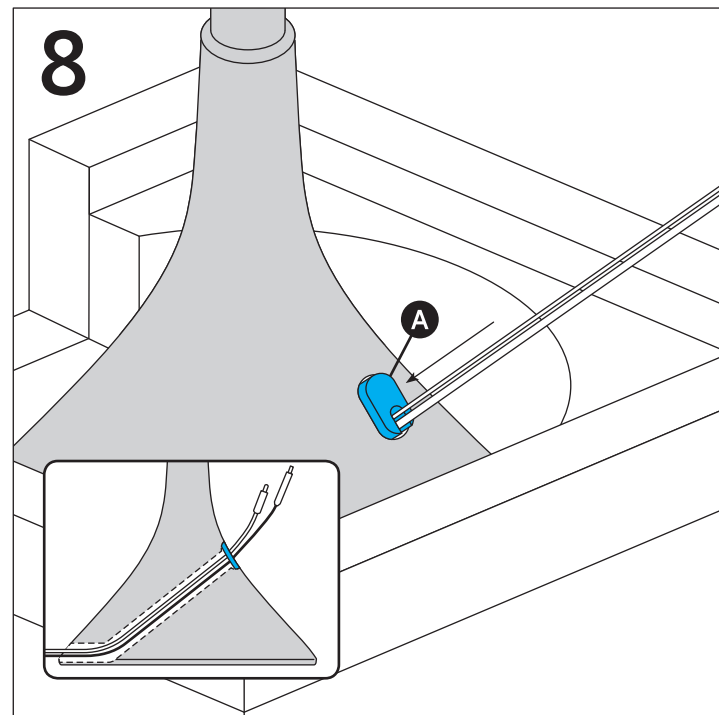
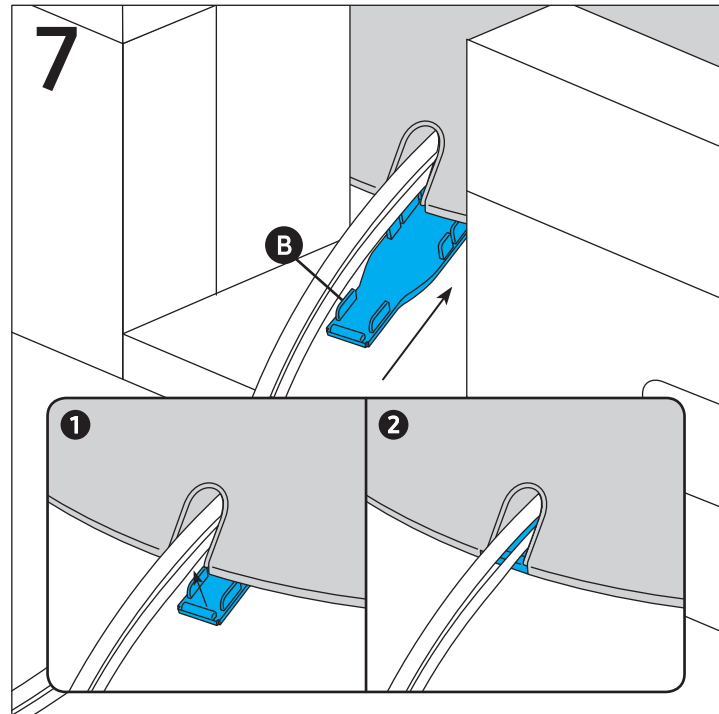
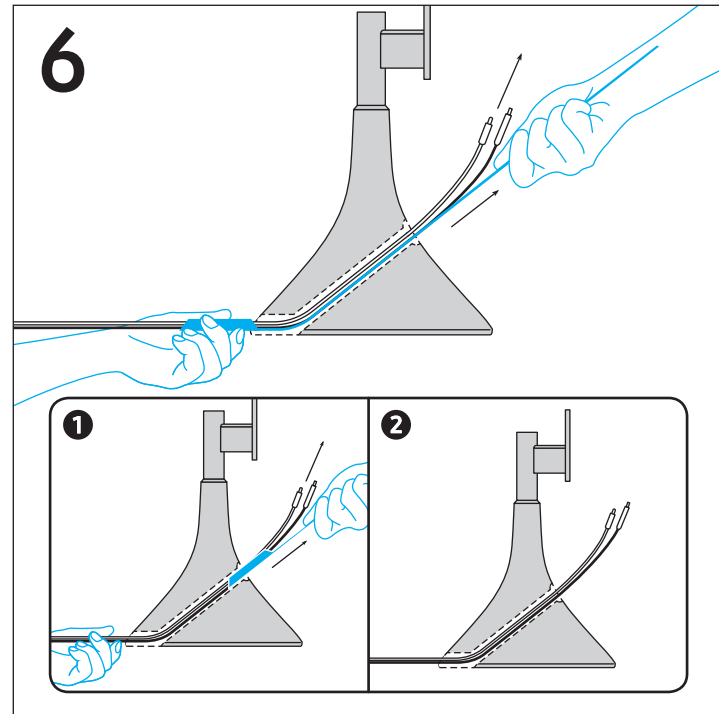
1 Screw M4 x L16 (Q7, Q8, LS003 (The Frame))



X4

2 Screw M4 x L8 (Q9)





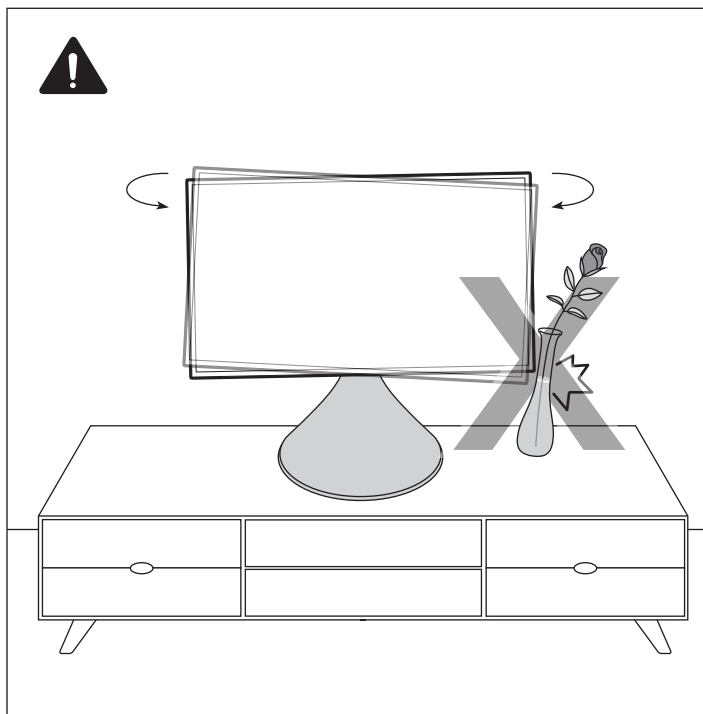
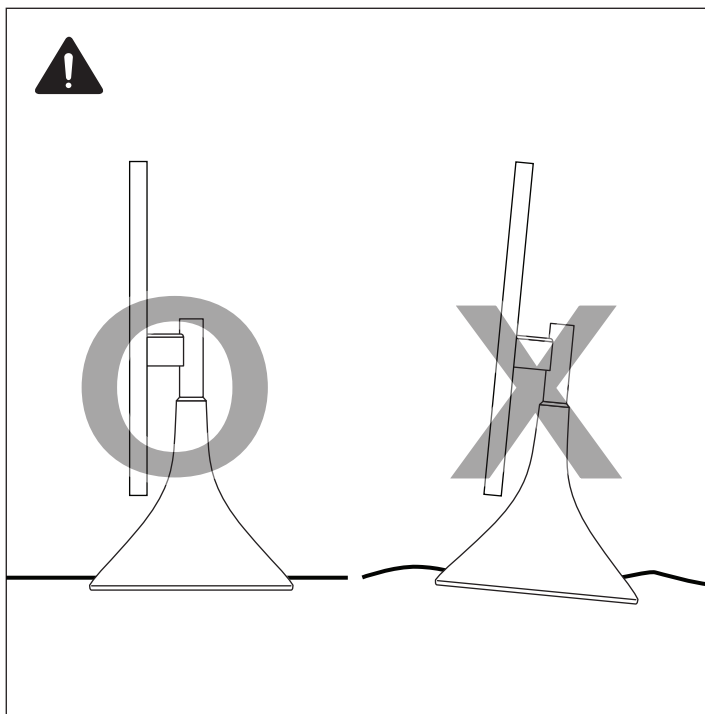
# SAMSUNG

## GRAVITY STAND | Q7C Q8C 55", 65"

# QUICK SETUP GUIDE

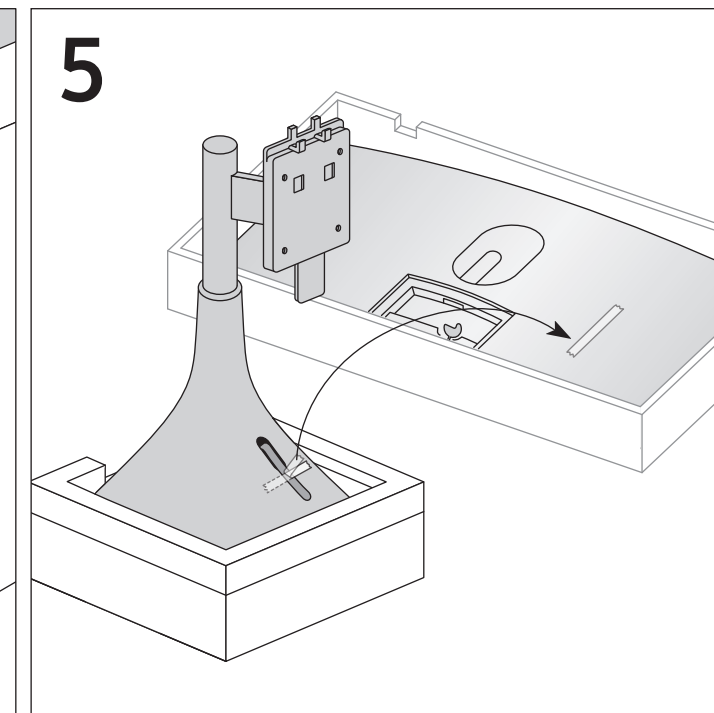
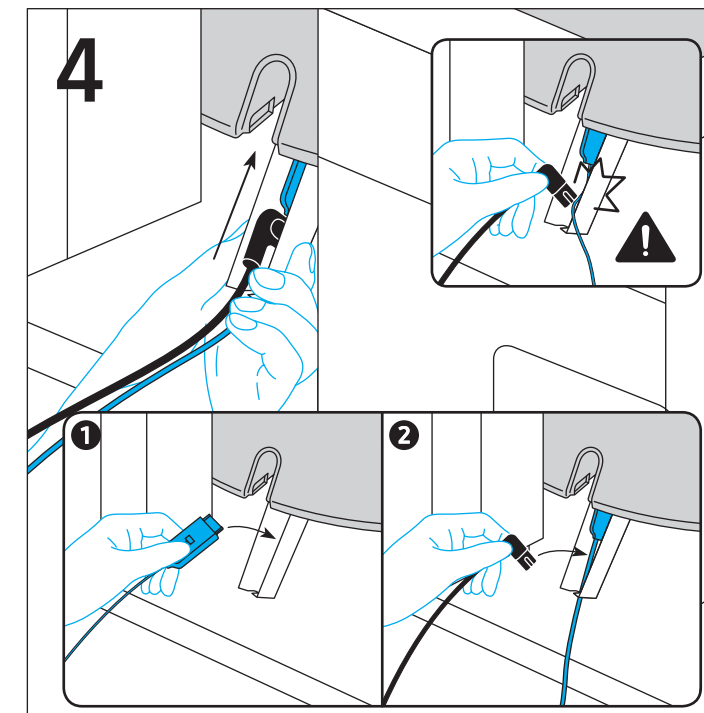
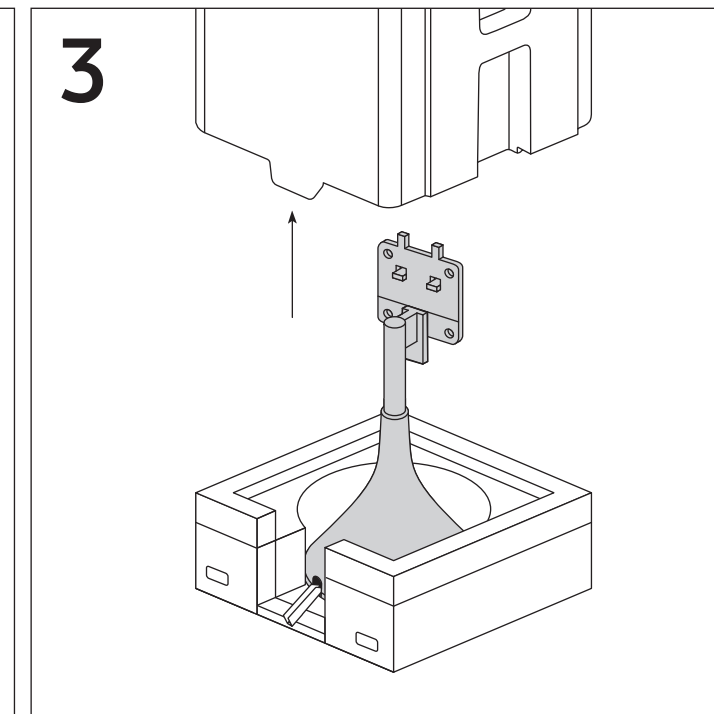
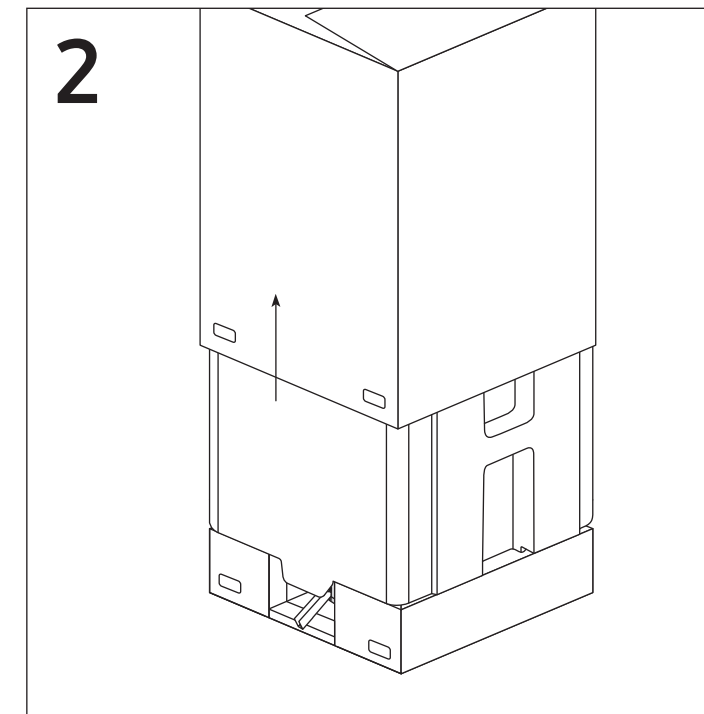
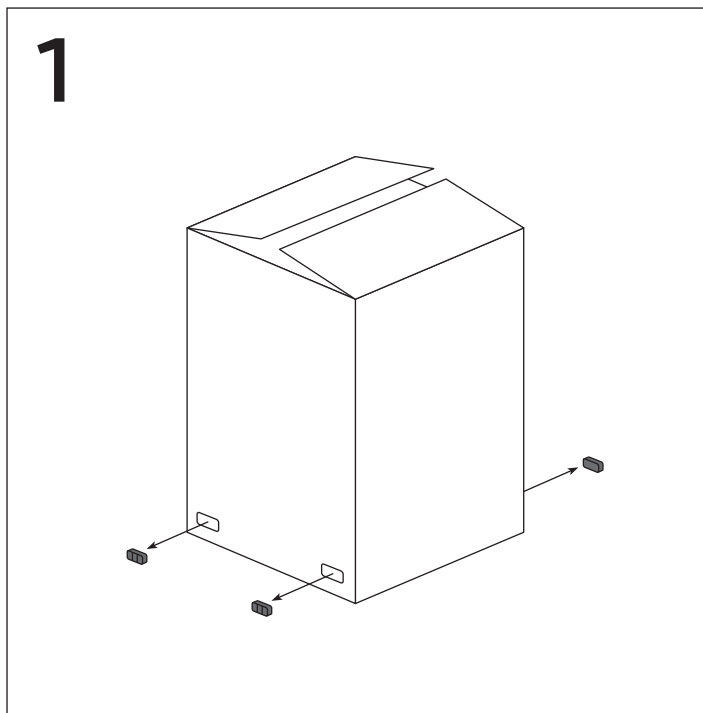


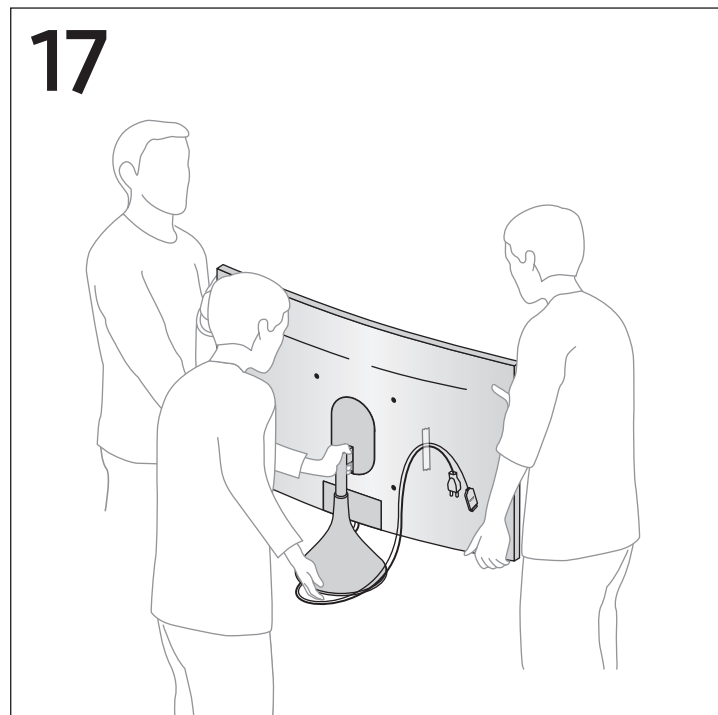
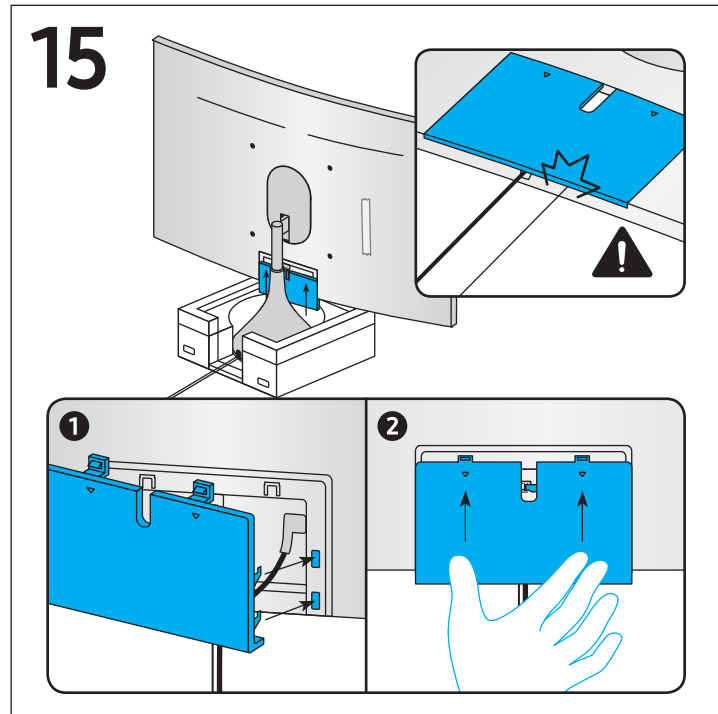
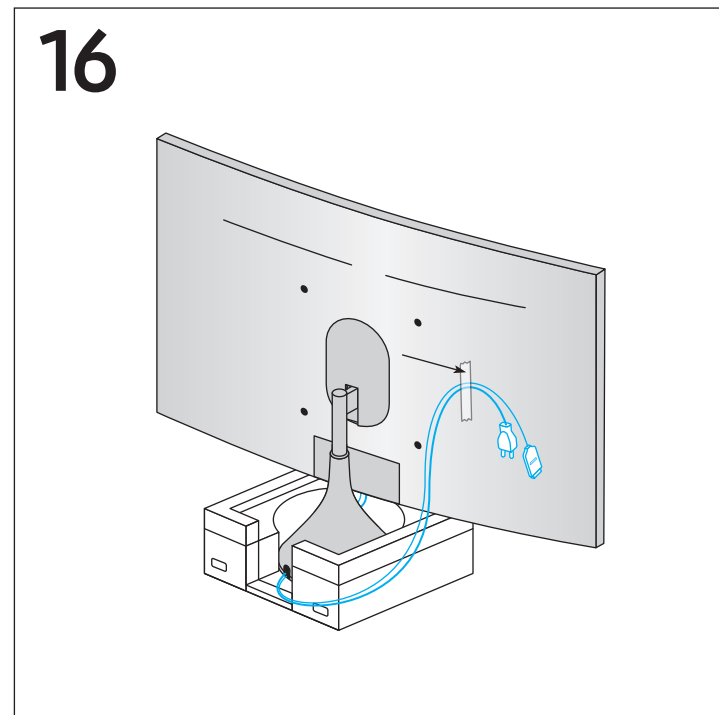
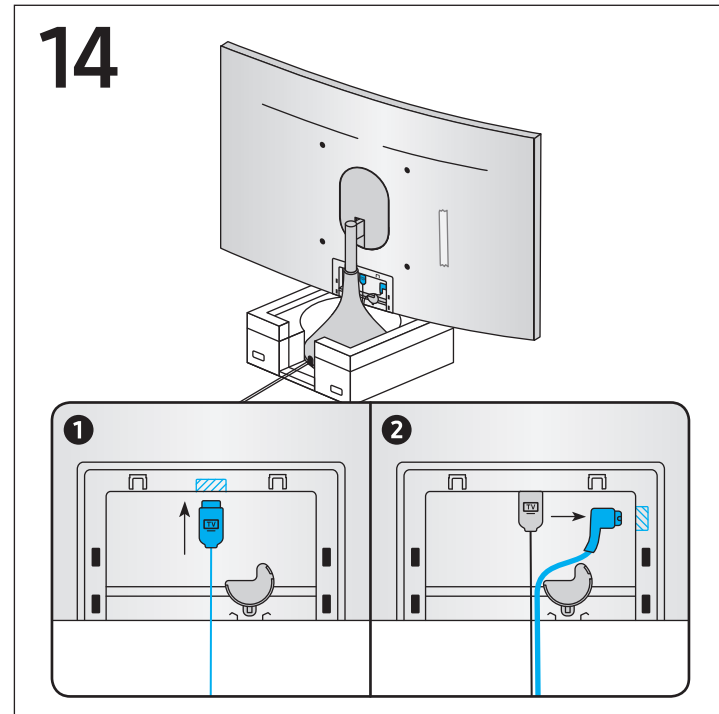
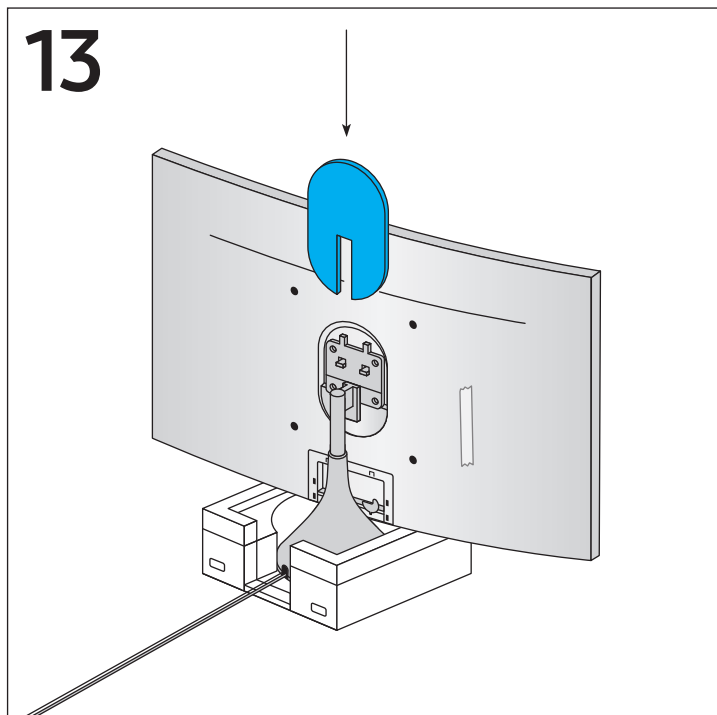
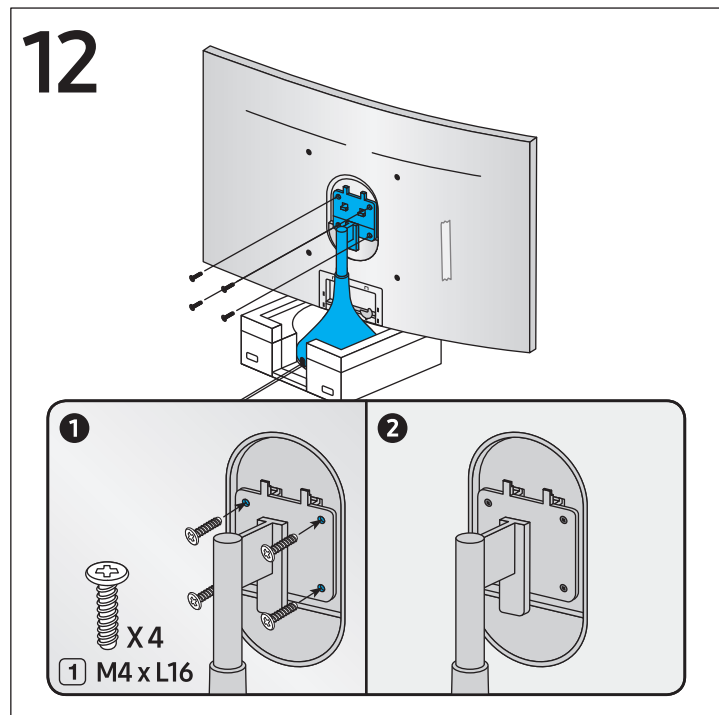
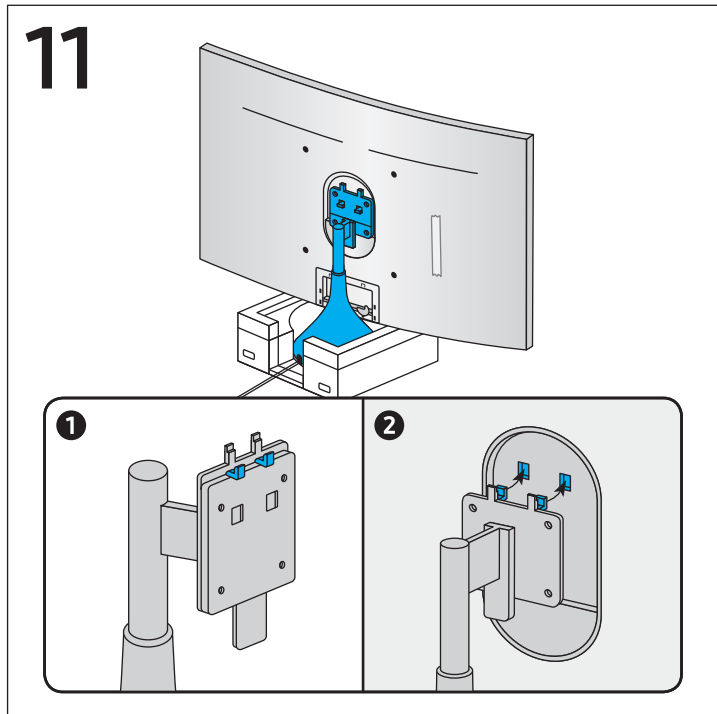
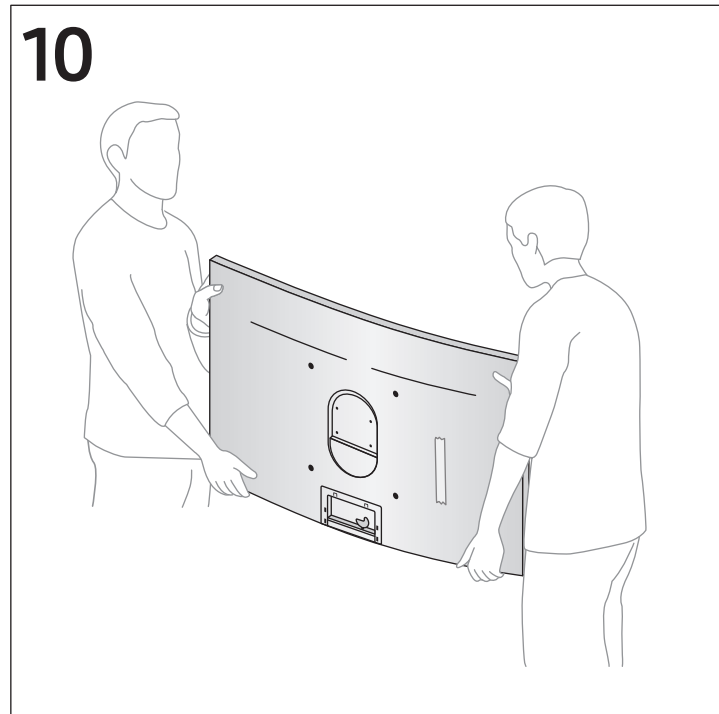
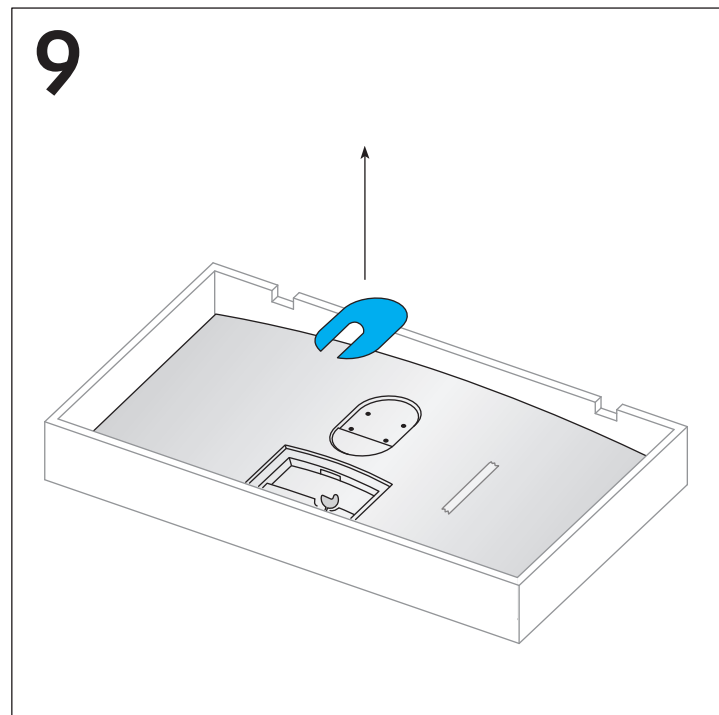
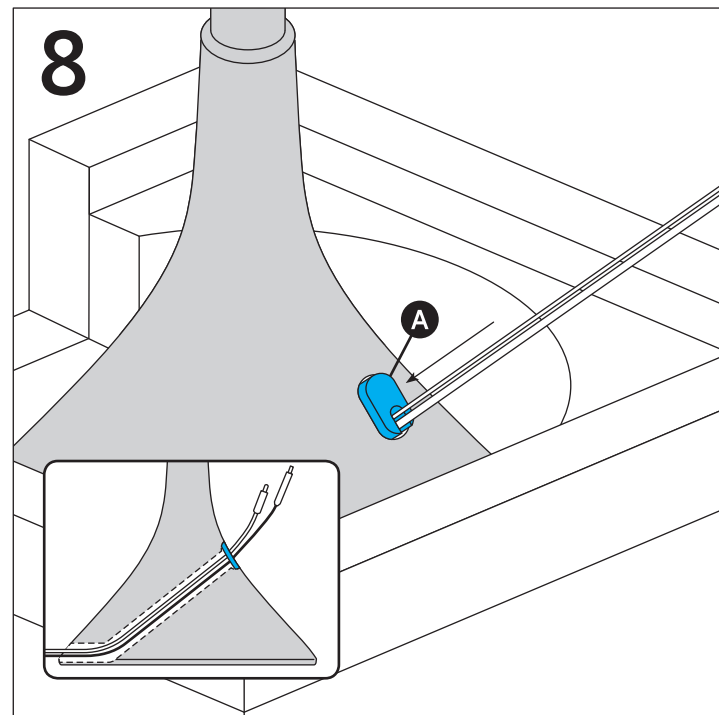
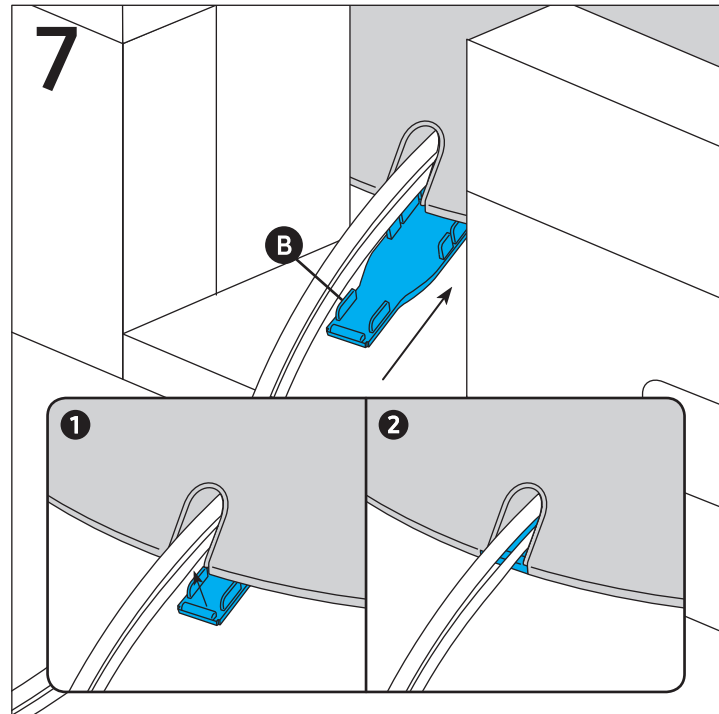
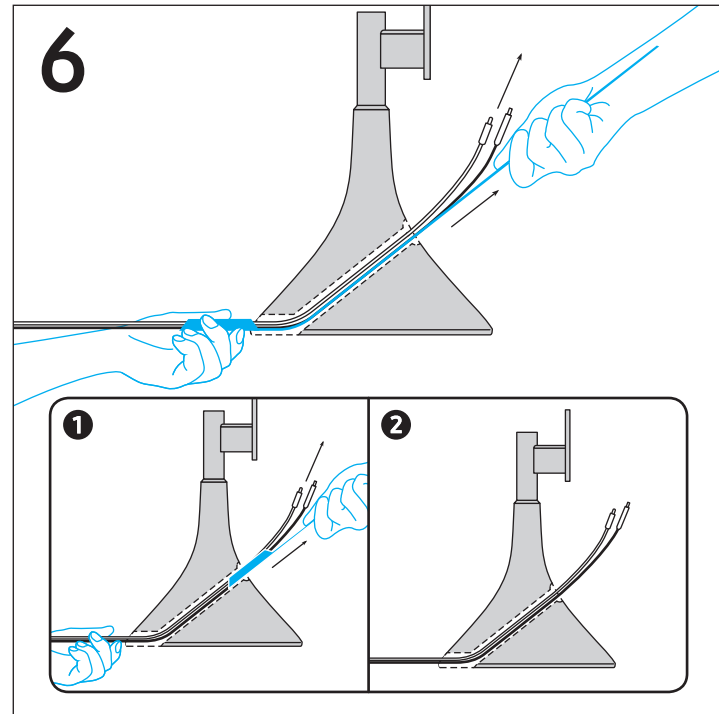
BN68-08681A-X0



**Components**

- Gravity-Stand
- A Cover-Top
- B Cover-Bottom
- X4 Screw M4 x L16 (Q7, Q8, LS003 (The Frame))
- X4 Screw M4 x L8 (Q9)





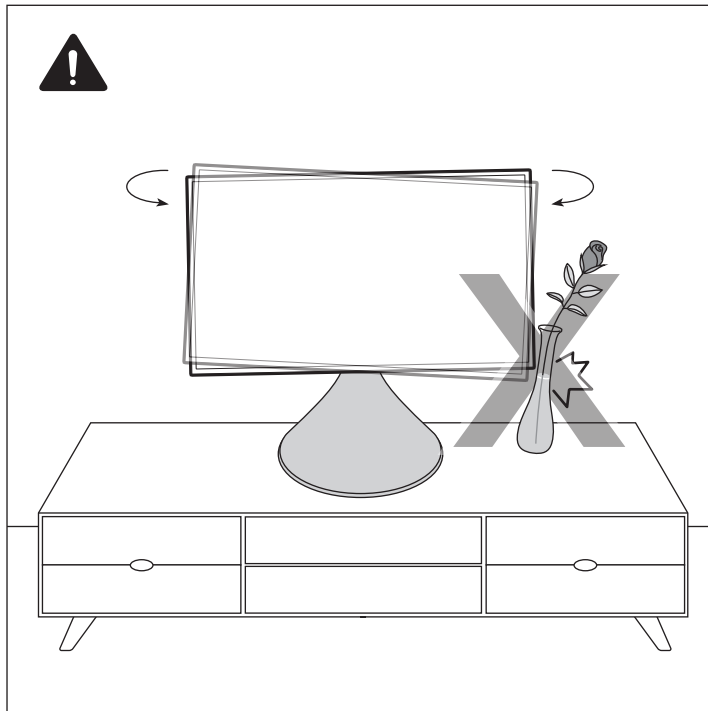
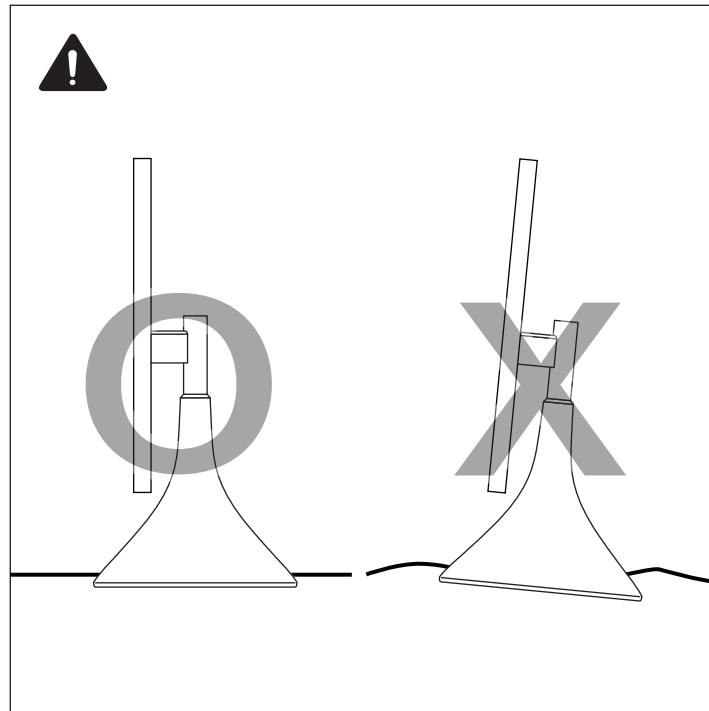
# SAMSUNG

## GRAVITY STAND | Q<sub>7F</sub> 55",65"

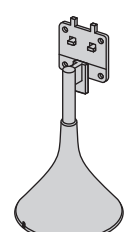
# QUICK SETUP GUIDE




BN68-08682A-X0




**Components**




Gravity-Stand




A Cover-Top



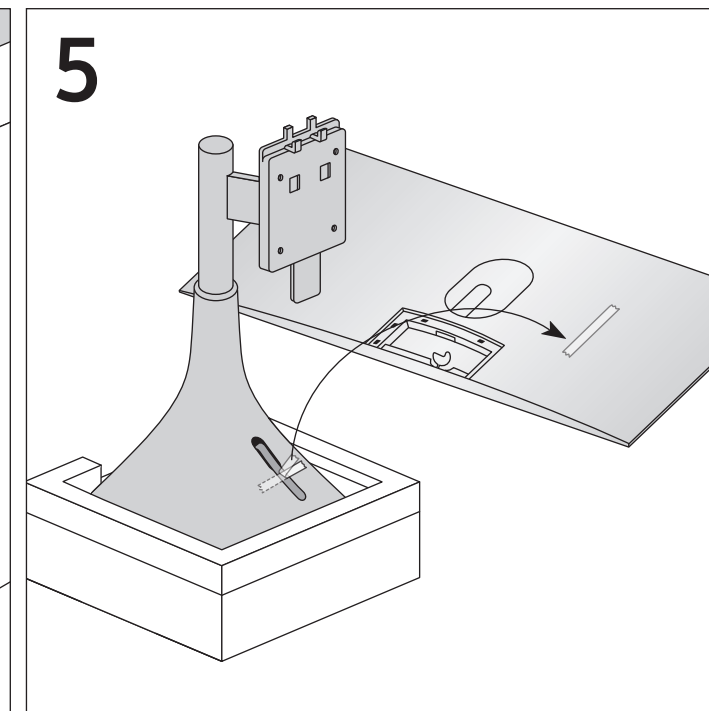
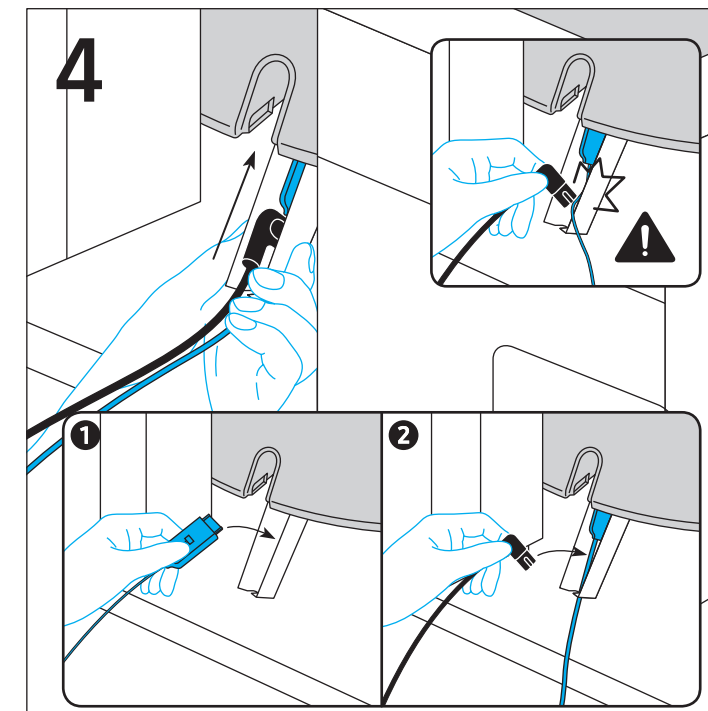
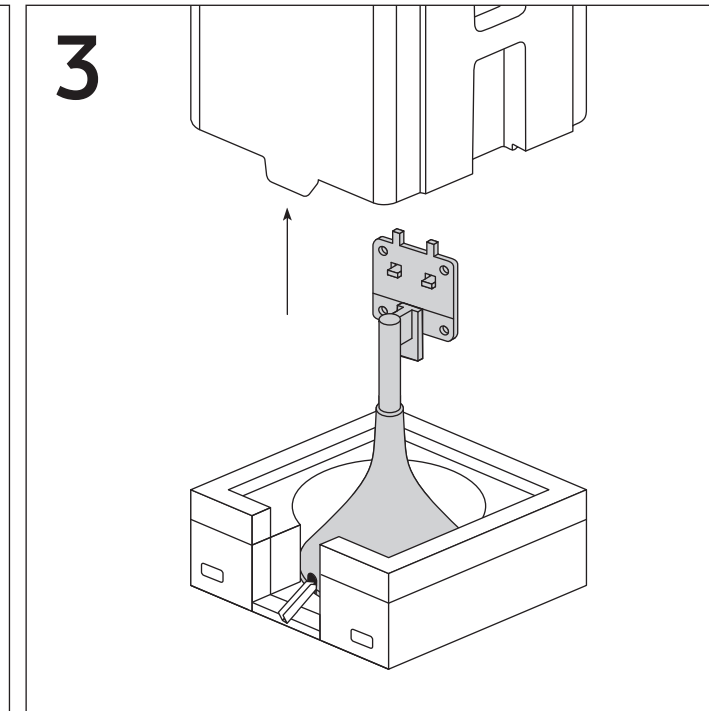
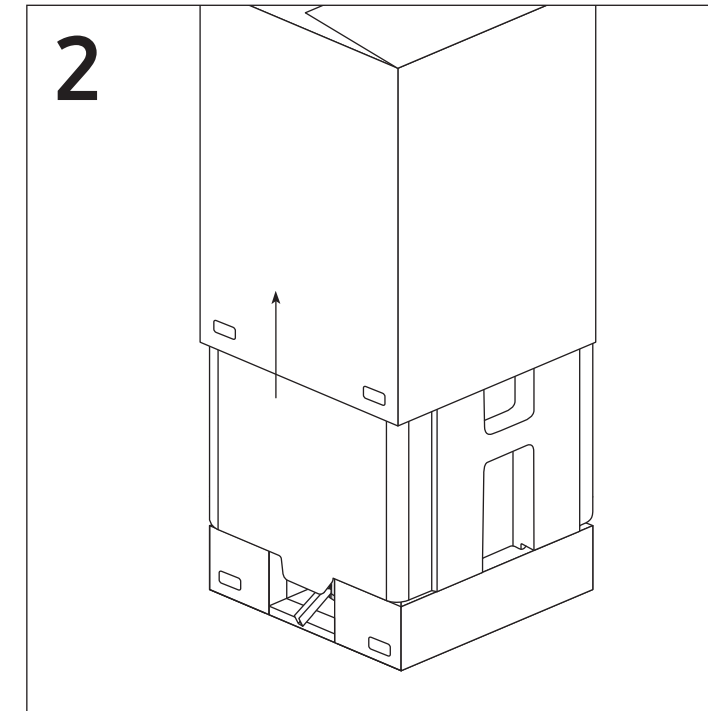
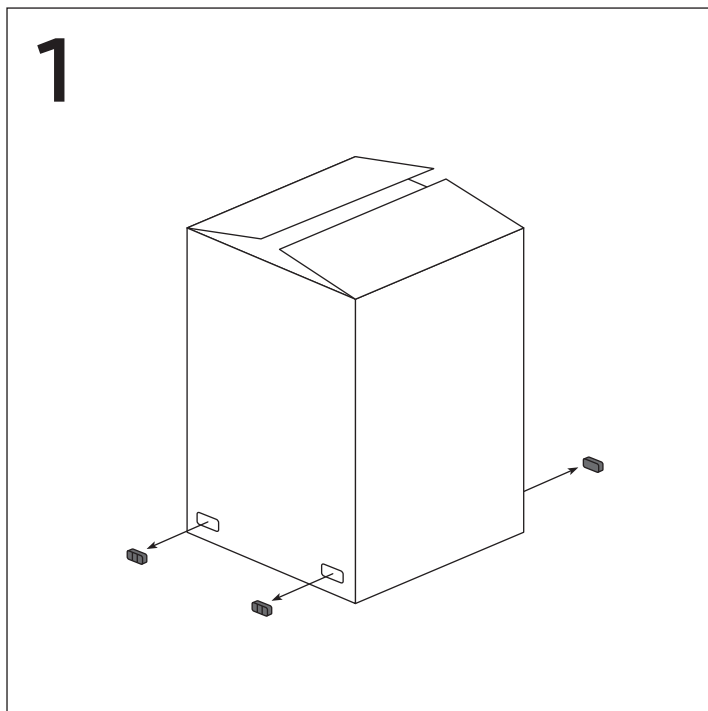
B Cover-Bottom

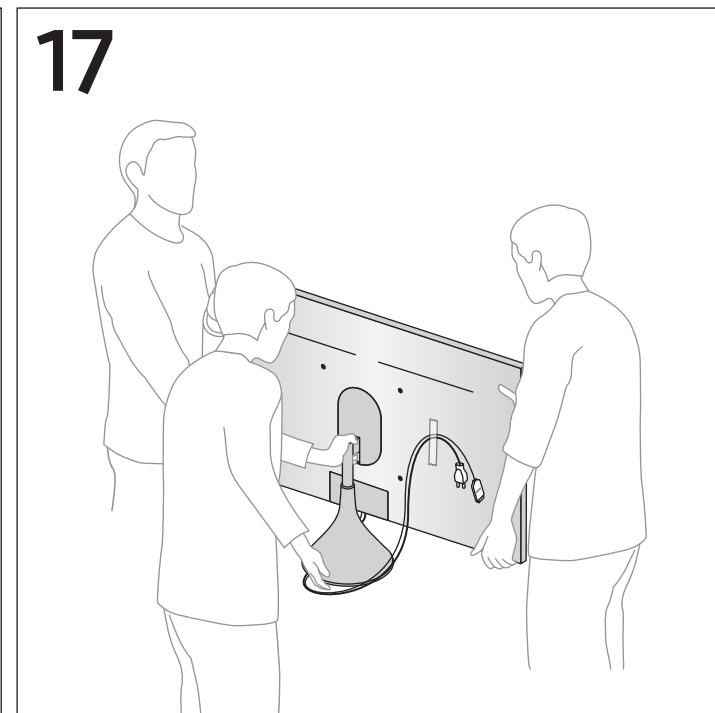
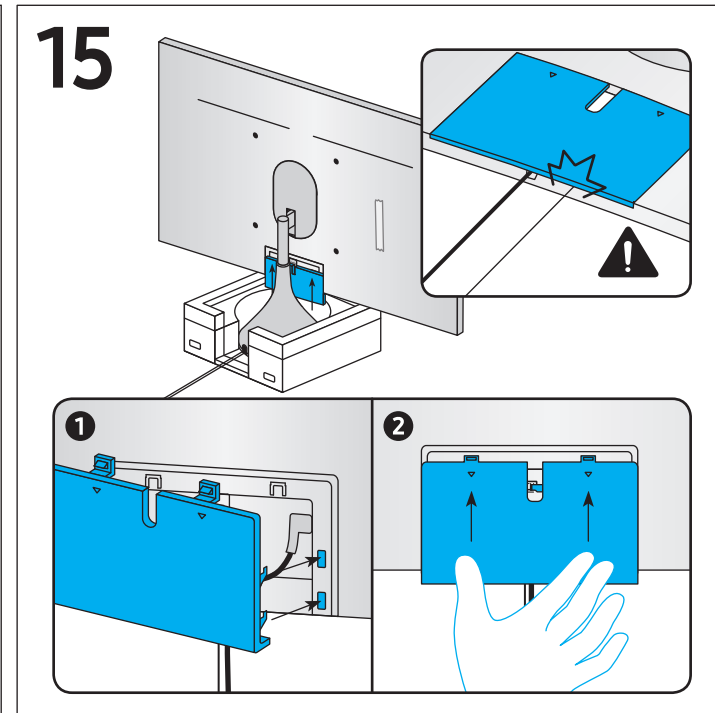
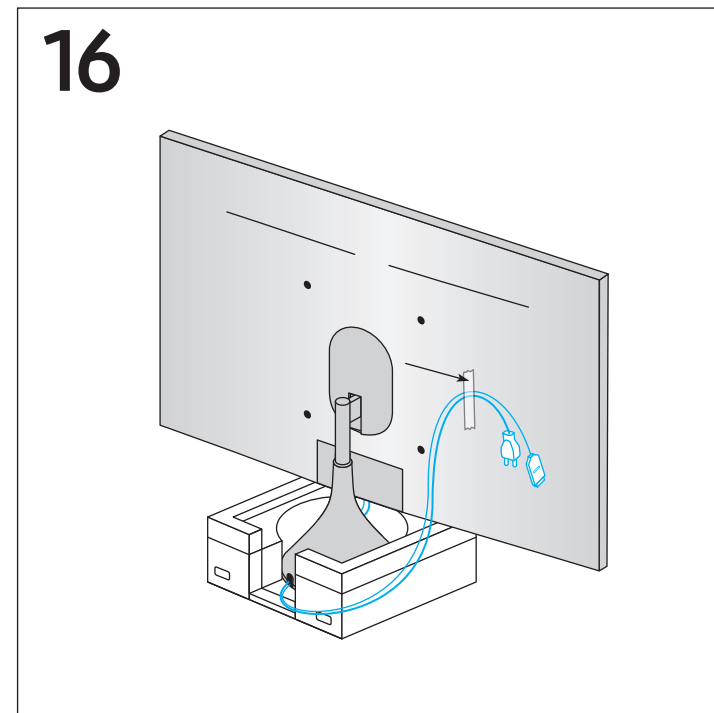
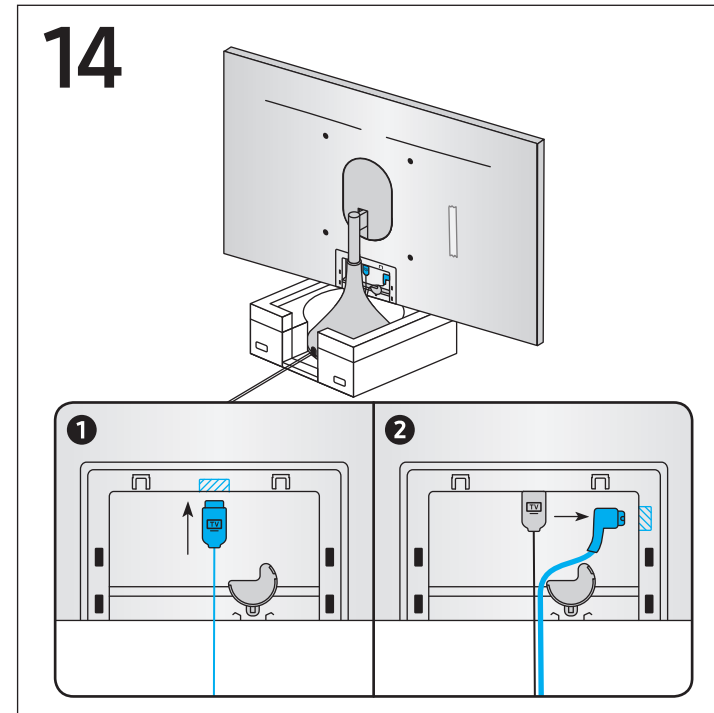
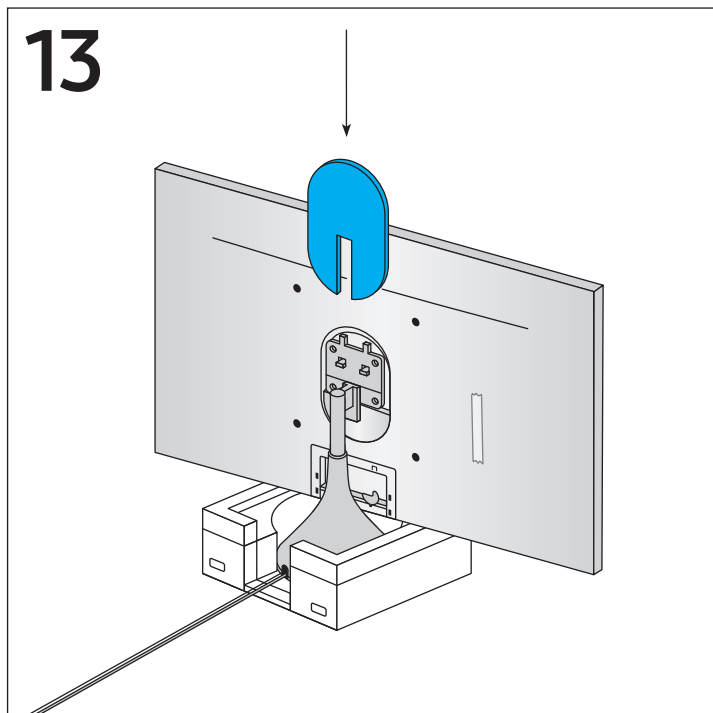
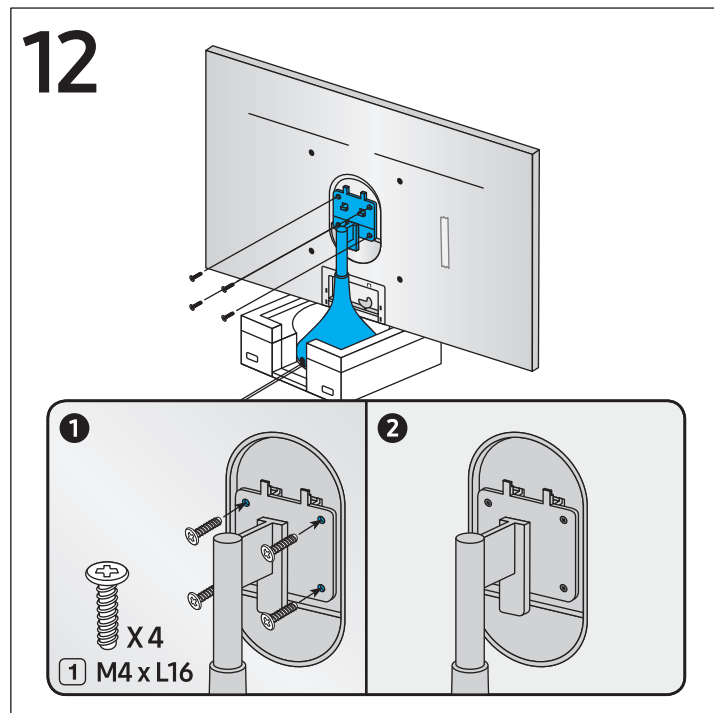
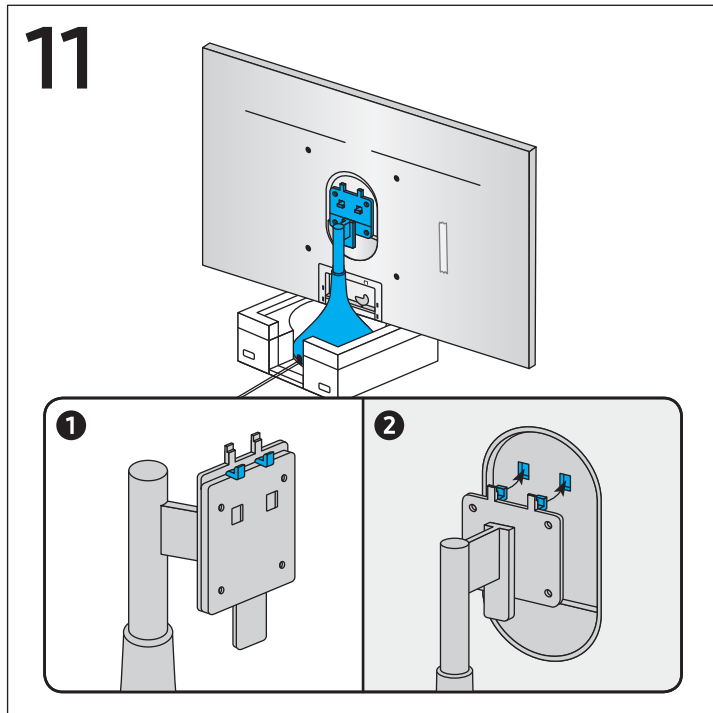
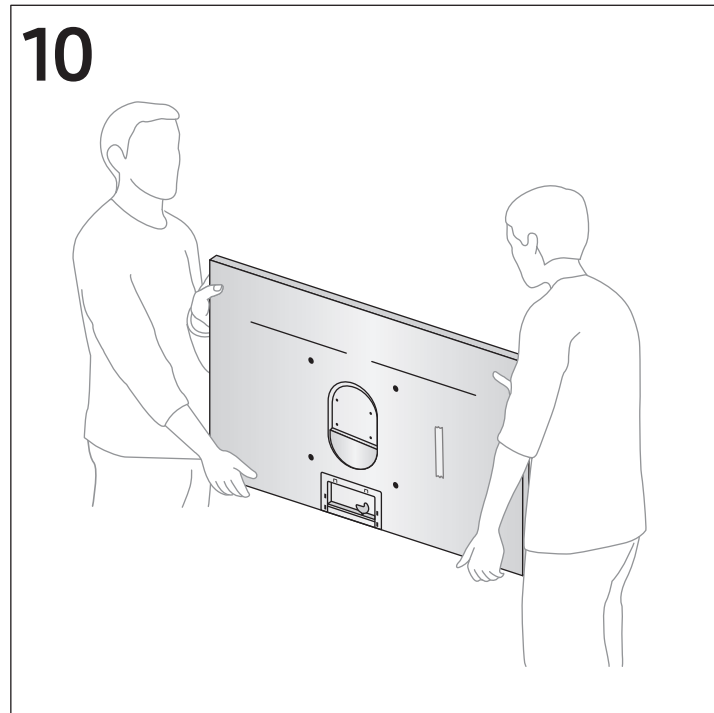
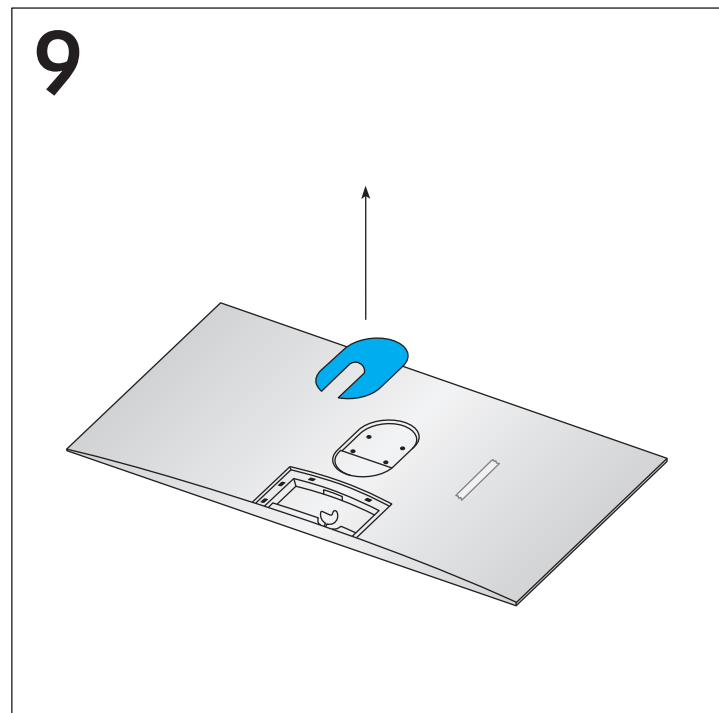
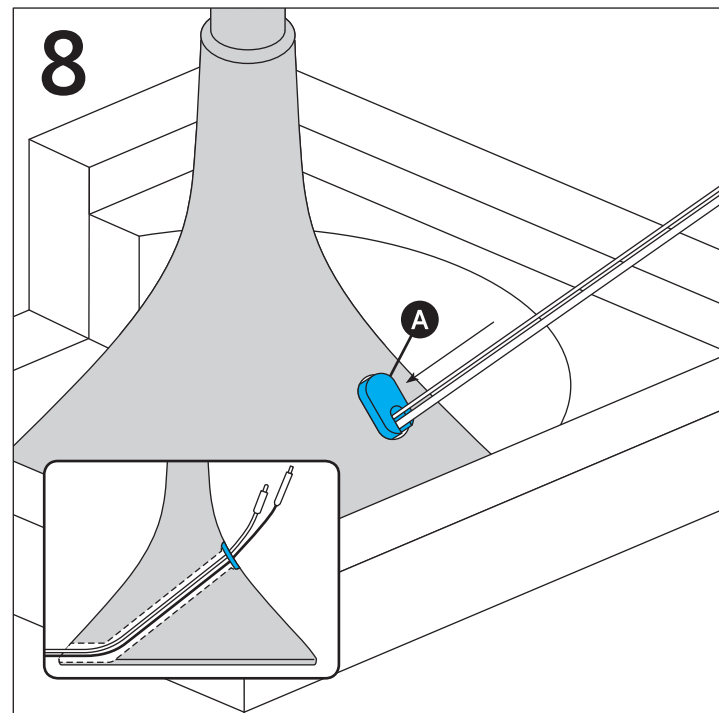
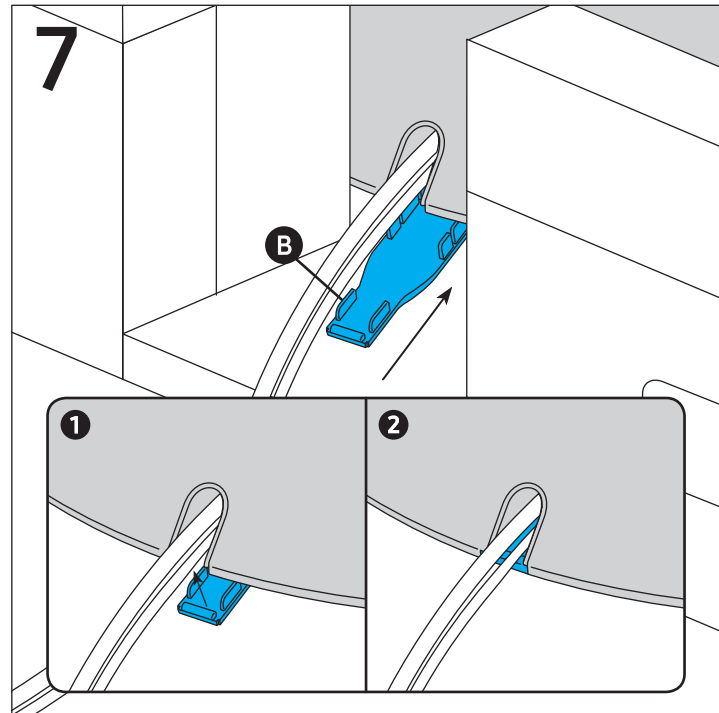
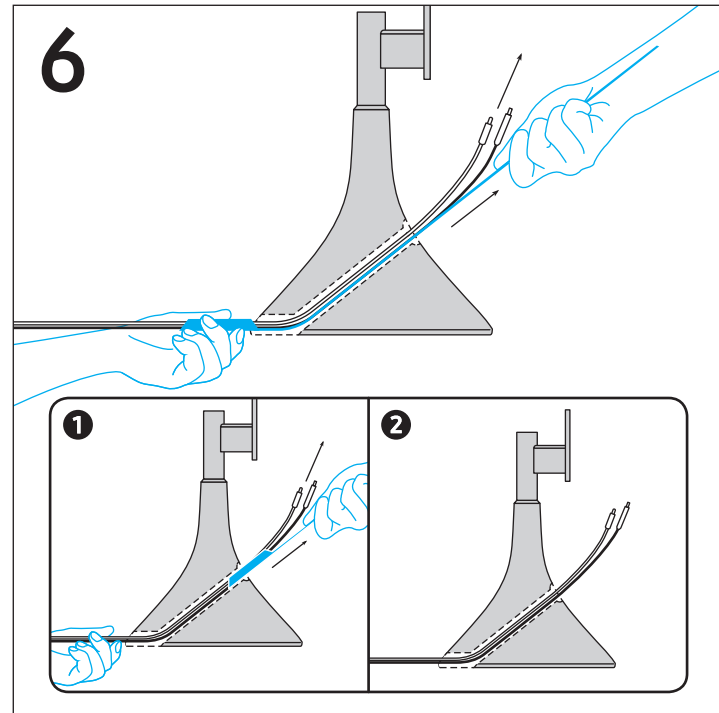


X4  
1 Screw M4 x L16  
(Q7, Q8, LS003 (The Frame))



X4  
2 Screw M4 x L8  
(Q9)





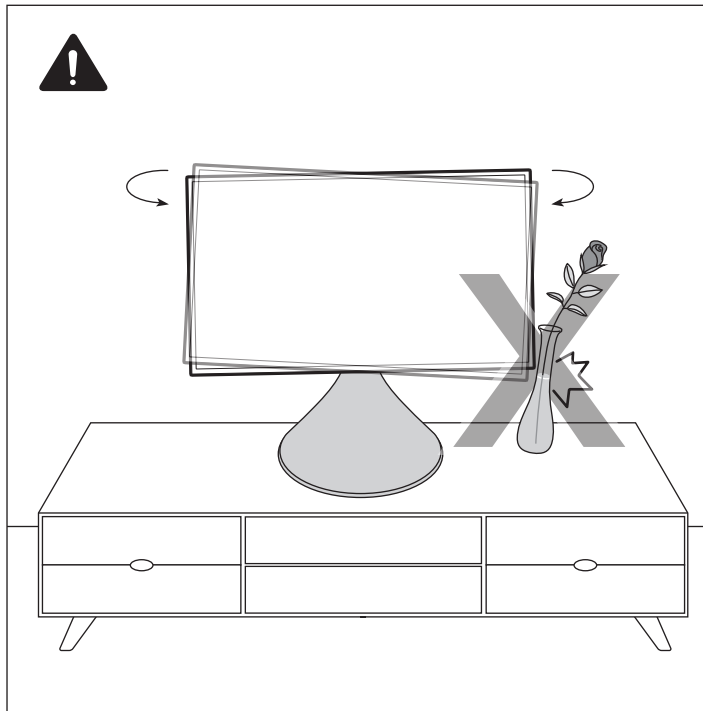
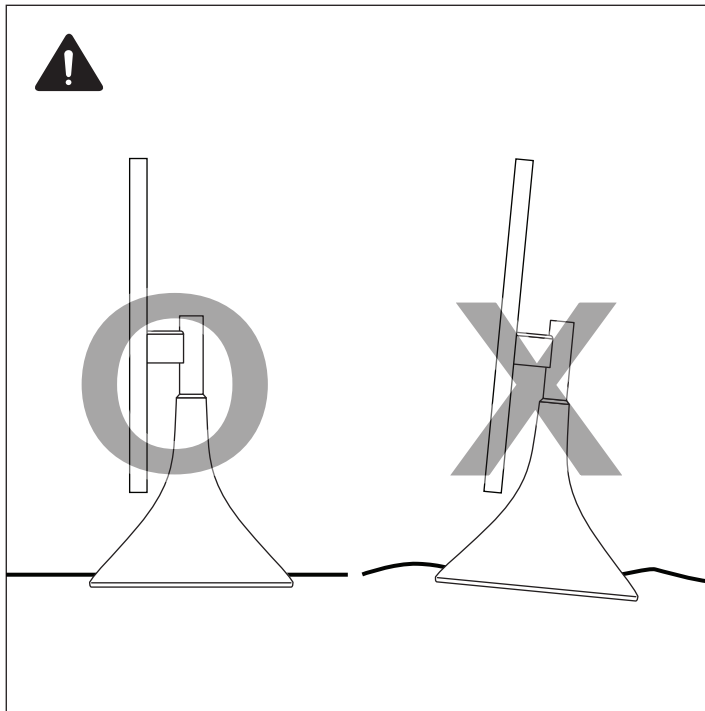
# SAMSUNG

## GRAVITY STAND | Q9F 65"

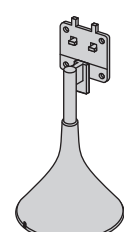
# QUICK SETUP GUIDE




BN68-08680A-X0




**Components**




Gravity-Stand



A Cover-Top




B Cover-Bottom



X4

1 Screw M4 x L16  
(Q7, Q8, LS003 (The Frame))



X4

2 Screw M4 x L8  
(Q9)

