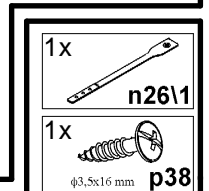
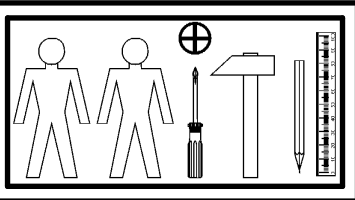
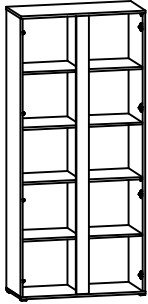
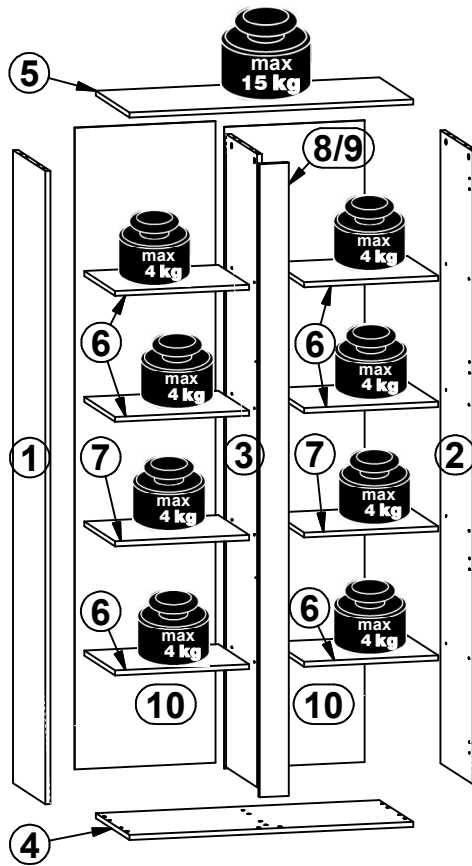


# A

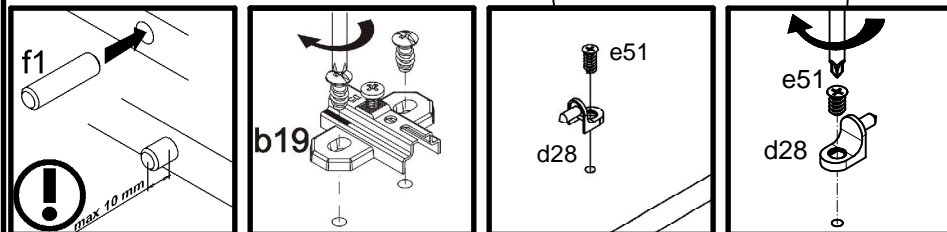
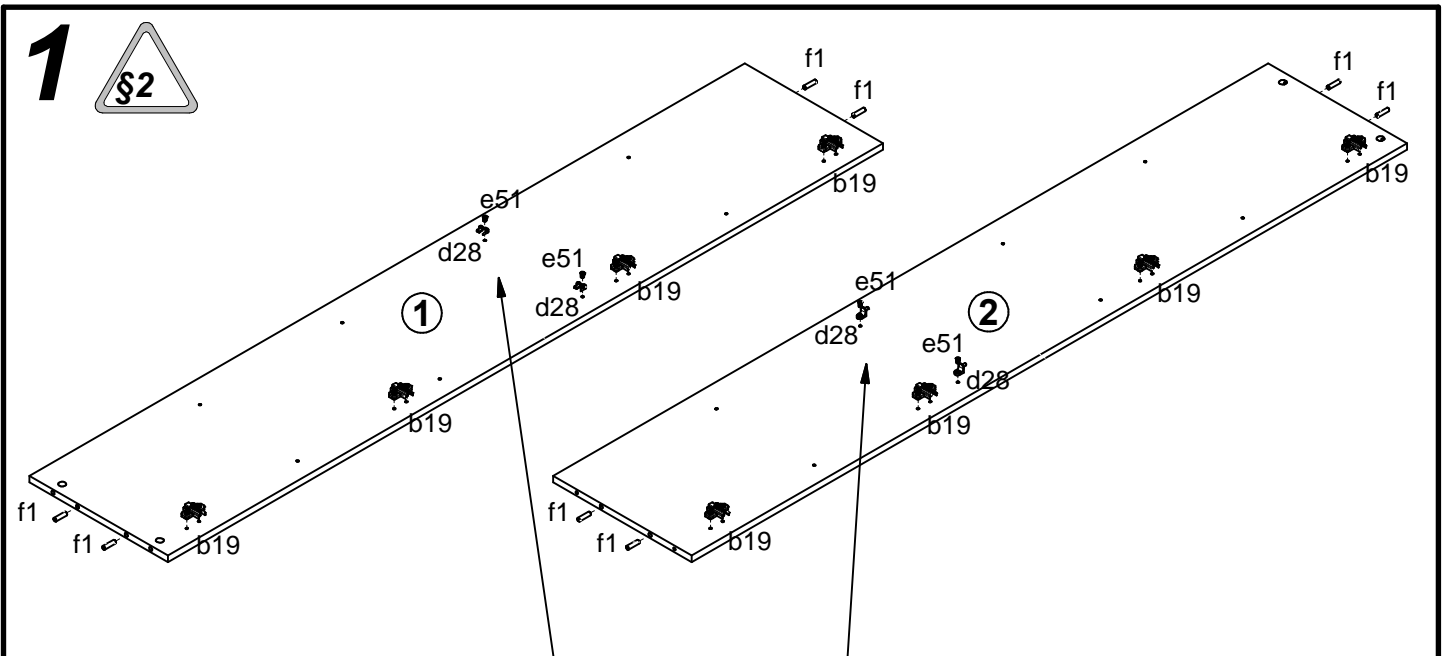
# GRAPHIC

# S343-REG2D/86

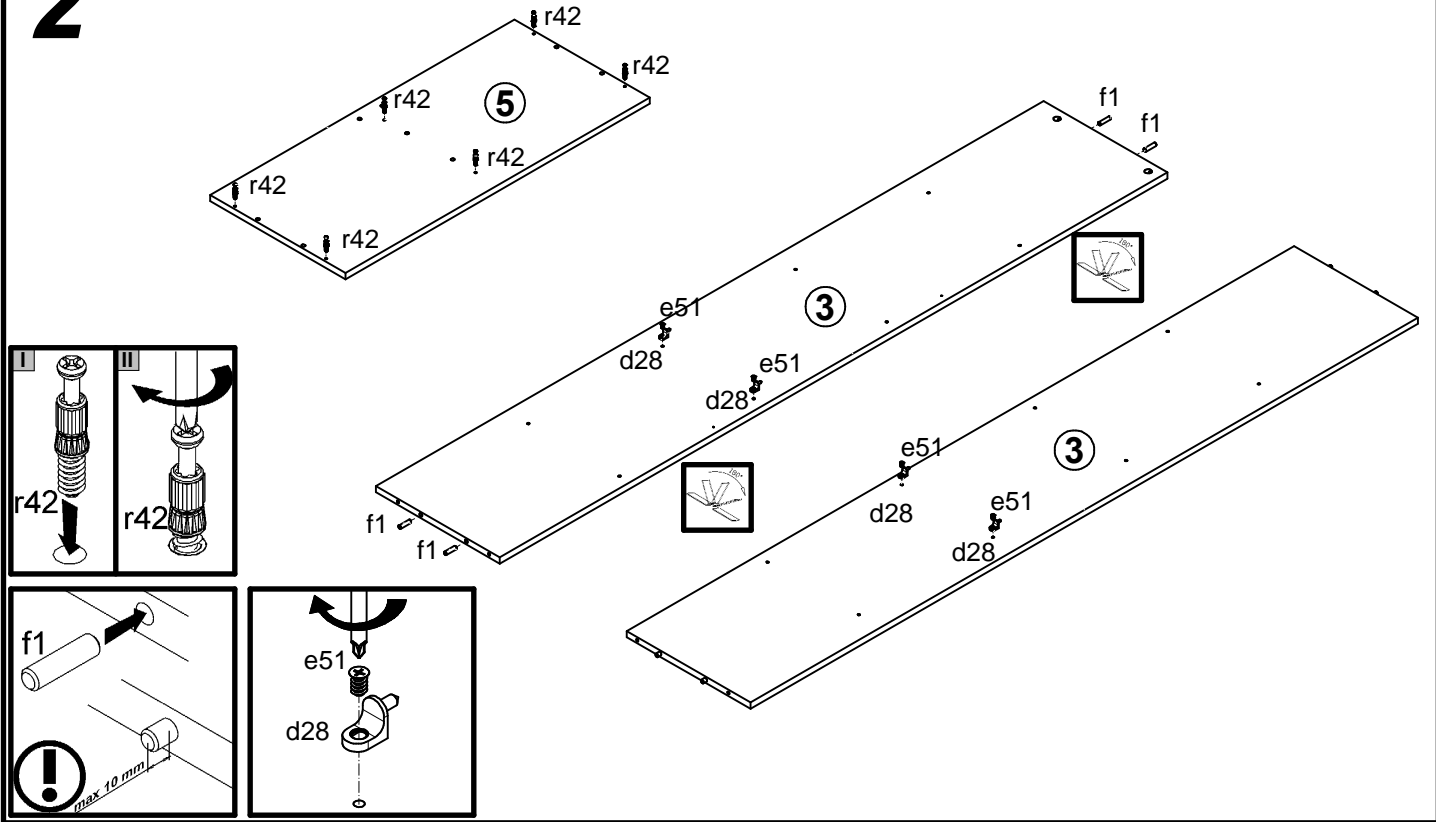
| A  | B         | C    | D   |     |
|----|-----------|------|-----|-----|
| 1  | S343-1017 | 1875 | 363 | 1/2 |
| 2  | S343-1018 | 1875 | 363 | 1/2 |
| 3  | S343-1019 | 1875 | 348 | 1/2 |
| 4  | S343-2017 | 855  | 380 | 1/2 |
| 5  | S343-2018 | 855  | 380 | 1/2 |
| 6  | S343-3006 | 404  | 347 | 1/2 |
| 7  | S343-3007 | 404  | 347 | 1/2 |
| 8  | S343-4013 | 1875 | 88  | 1/2 |
| 9  | S343-4014 | 1875 | 88  | 1/2 |
| 10 | S343-9005 | 1900 | 424 | 1/2 |



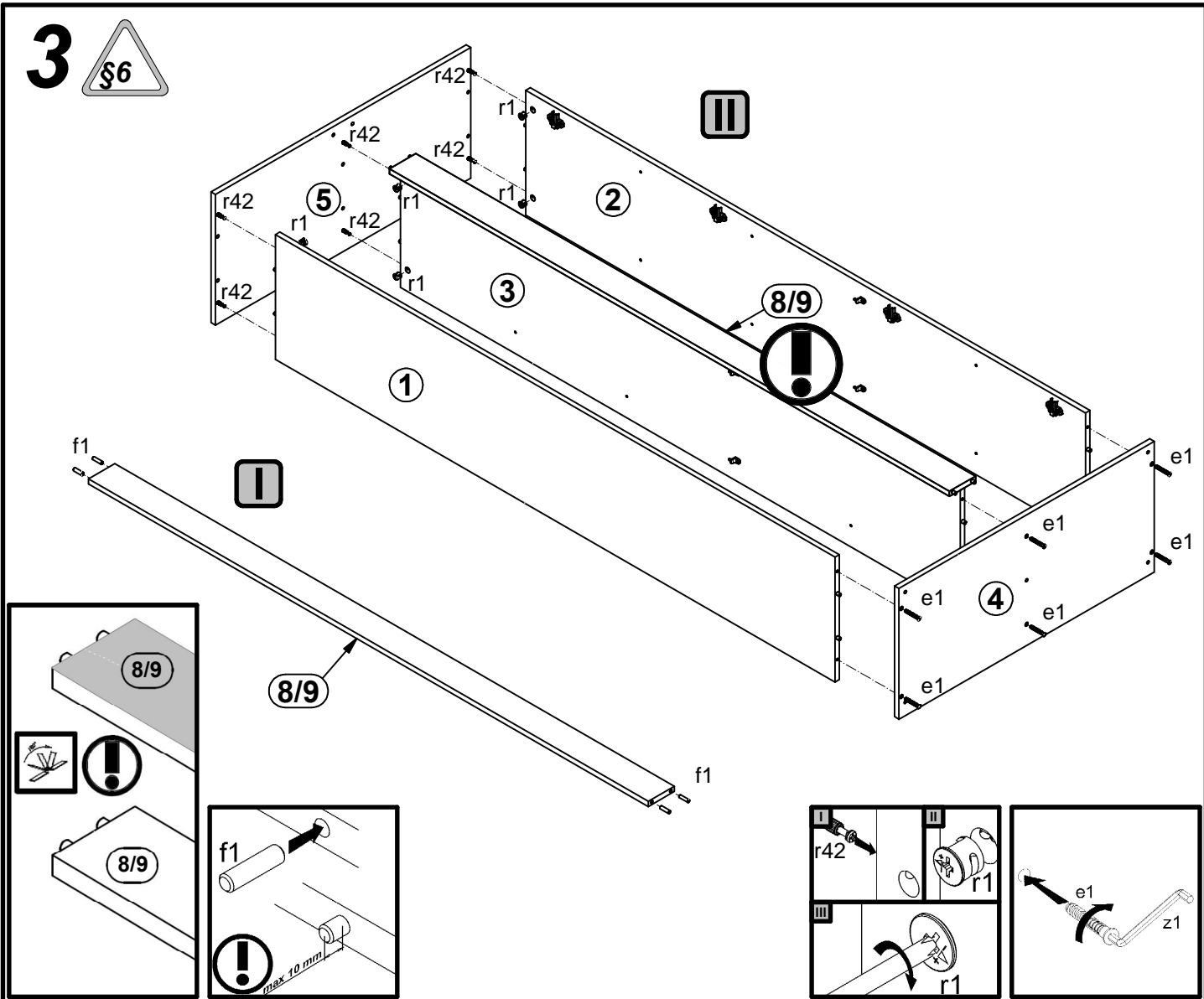
|          |                        |                     |                        |                       |                       |                         |         |               |
|----------|------------------------|---------------------|------------------------|-----------------------|-----------------------|-------------------------|---------|---------------|
| 8x  a44  | 8x  b19                | 24x  d1<br>∅5x17 mm | 8x  d28                | 6x  e1<br>φ7x50 mm    | 8x  e51<br>∅6.3x10 mm | 16x  f1<br>φ8x30 mm     | 5x  k73 | 6x  s2<br>∅16 |
| 100x  l1 | 2x  n110<br>25x25x16/2 | 4x  o21<br>silikon  | 16x  p51<br>∅3.5x15 mm | 5x  p79<br>∅3.5x20 mm | 4x  p93<br>∅4x13 mm   | 6x  r1<br>∅15x12 mm #16 | r42     | 1x  z1        |



# 2



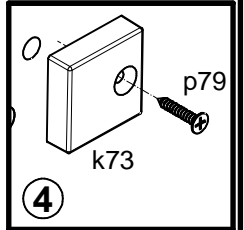
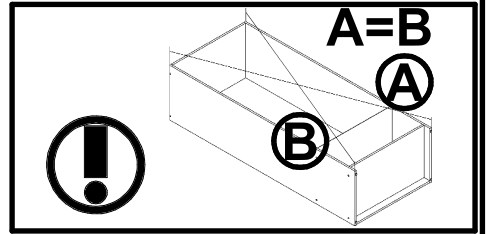
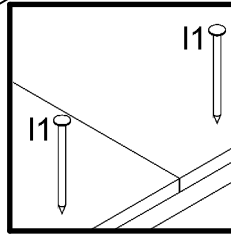
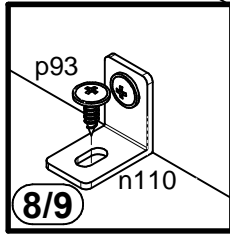
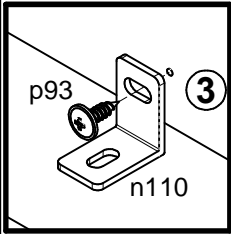
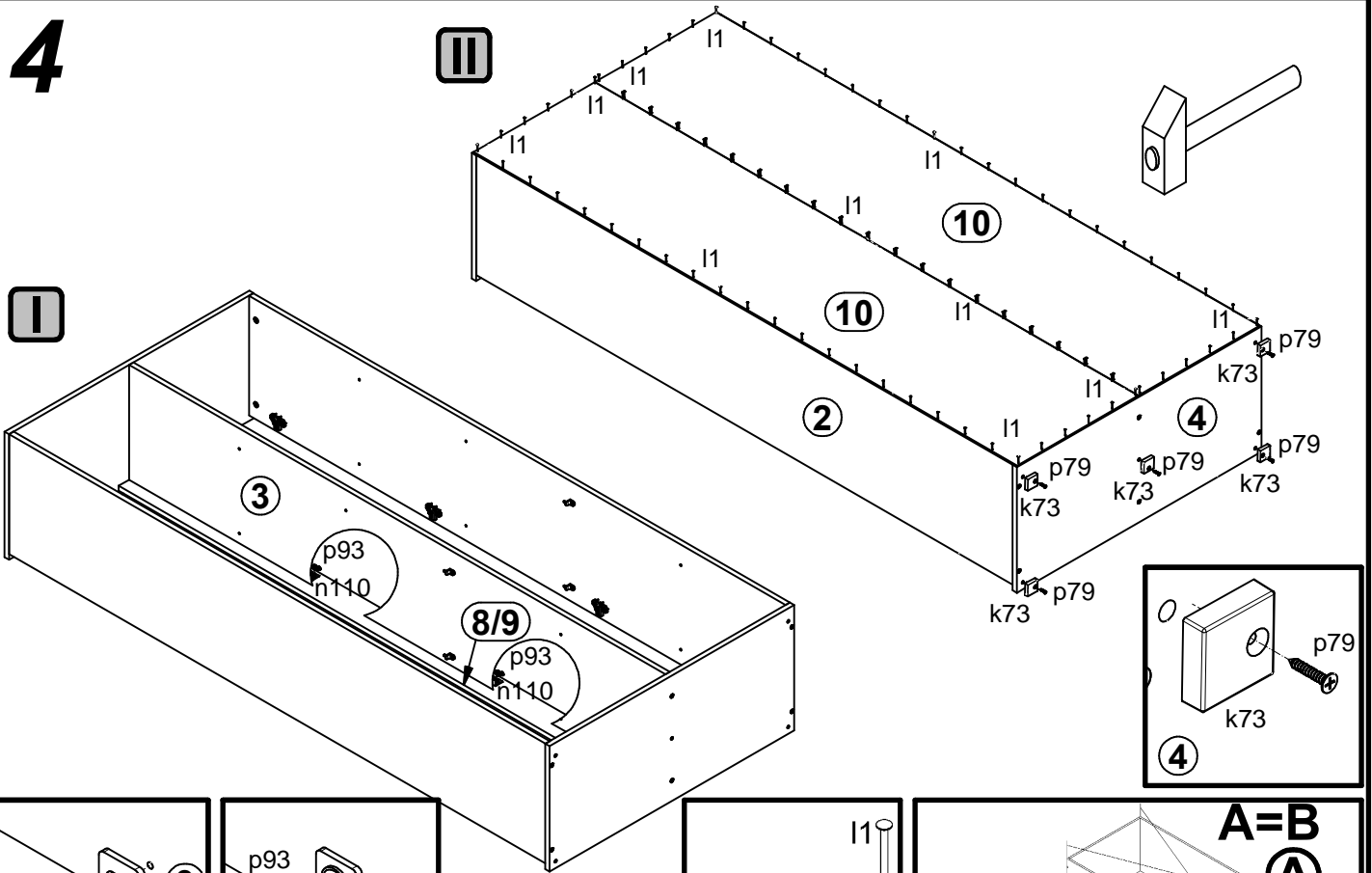
# 3



# 4

### II

### I



# 5

