

## 20 L

### INSTRUCTION MANUAL РУКОВОДСТВО ПО ЭКСПЛУАТАЦИИ ІНСТРУКЦІЯ З ЕКСПЛУАТАЦІЇ

GB	MICROWAVE OVEN .....	4
RUS	МИКРОВОЛНОВАЯ ПЕЧЬ .....	5
CZ	MIKROVLNNÁ TROUBA .....	7
BG	МИКРОВЪЛНОВА ПЕЧКА .....	9
UA	МІКРОХВИЛЬОВА ПІЧ .....	11
SCG	МИКРОТАЛАСНА ПЕЋ .....	13
EST	MIKROLAINEAHN .....	14
LV	MIKROVIĻŅU KRĀSNS .....	16
LT	MIKROBANGŲ KROSNELĖ .....	18
H	MIKRONULLÁMÚ SŪTŐ .....	19
KZ	МИКРОТОЛҚЫНДЫ ПЕШ .....	21



[www.scarlett.ru](http://www.scarlett.ru)



HO09



АЯ46



010

**GB DESCRIPTION**

1. Door lock system
2. Oven window
3. Waveguide mica shield (Do Not Remove!)
4. Shaft
5. Roller ring
6. Glass tray
7. Timer switch
8. Power switch

**BG ОПИСАНИЕ**

1. Ключалка на вратичката
2. Прозорче на вратичката
3. Клапа на вълновода (НЕ СВАЛЯЙТЕ!)
4. Ос
5. Въртящото се колелце
6. Стъклена чиния
7. Таймер
8. Превключвател на режими

**EST KIRJELDUS**

1. Ukse lukk
2. Ukse aken
3. Lainekanal klapp (MITTE EEMALDADA!)
4. Pöörlemisingi tugi
5. Pöörlemising
6. Klaasalus
7. Taimer
8. Režiimide ümberlüüti

**H LEÍRÁS**

1. Ajtózár
2. Ajtóüveg
3. Hullámvezető szabályozólemez (LEVENNI TILOS!)
4. Tengely
5. Forgógyűrű
6. Üvegtányér
7. Időmérő
8. Üzemkapcsoló

**RUS УСТРОЙСТВО ИЗДЕЛИЯ**

1. Фиксаторы дверцы
2. Окно дверцы
3. Заслонка волновода (НЕ СНИМАТЬ!)
4. Ось
5. Вращающееся кольцо
6. Стеклоблюдо
7. Таймер
8. Переключатель режимов

**UA ОПИС**

1. Засувки дверцят
2. Вікно дверцят
3. Заслінка хвилеводу (НЕ ЗНИМАТИ!)
4. Вісь
5. Обертове кільце
6. Скляне блюдо
7. Таймер
8. Перемикач режимів

**LV APRAKSTS**

1. Durvju slēgs
2. Durvju lodziņš
3. Mikrovļņu raidītāja aizslietnis (NENŅĒMŅT!)
4. Ass
5. Rotējošais gredzens
6. Stikla trauks
7. Taimers
8. Režīmu slēdzis

**KZ СИПАТТАМА**

1. Есік ілгешектері
2. Есік терезесі
3. Толқын ағызғысы жапқышы (ШЕШПЕНІЗ!)
4. Ось
5. Айналмалы сақина
6. Шыны табақ
7. Таймер
8. Тәртіптердің ауыстырып қосқышы

**CZ POPIS**

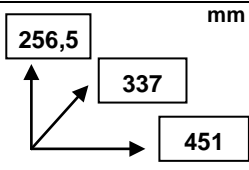
1. Západky na dvířkách
2. Průzor ve dvířkách
3. Uzávěra vlnovodu (NESNÍMEJTE!)
4. Osa
5. Otočné kolečko
6. Skleněná mísa
7. Časový spínač
8. Přepínač režimů

**SCG ОПИС**

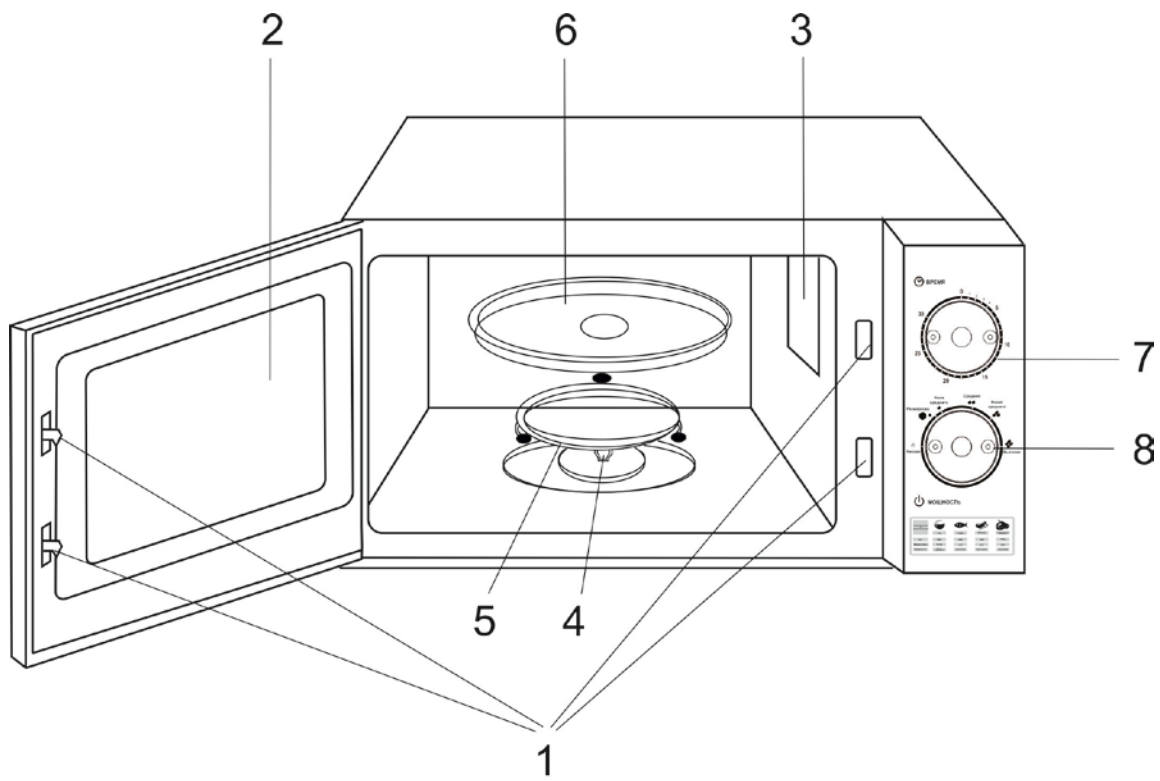
1. Квака на вратима
2. Прозор на вратима
3. Затварач таласовода (НЕ СКИДАЈТЕ!)
4. Осовина
5. Ротациони колупт
6. Стаклени тањир
7. Тајмер
8. Прекидач режима

**LT APRAŠYMAS**

1. Durelių užraktai
2. Stebėjimo langelis
3. Bangolaidžio sklendė (NENUIMTI!)
4. Ašis
5. Besisukantis žiedas
6. Stiklinis padėklas
7. Laikmatis
8. Režimų jungiklis

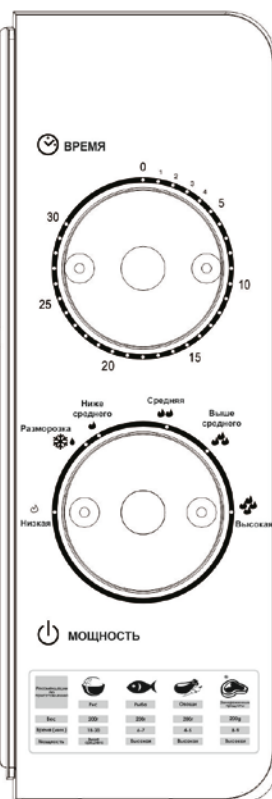
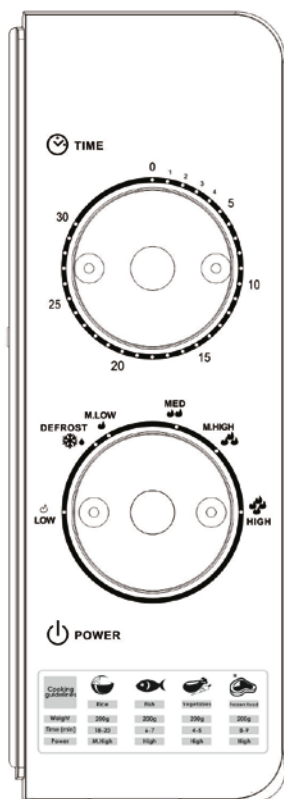
~ 220-240 V / 50 Hz	<b>Maximum power input / Максимальная потребляемая мощность: 1150 W</b> <b>Microwave power/ Мощность микроволн: 700 W</b> <b>Operation frequency/Рабочая частота: 2450 MHz</b>	10,1 kg	
---------------------	--	---------	---

Технические характеристики могут быть изменены заводом-изготовителем без предварительного уведомления. Указанные масса и геометрические размеры имеют приблизительные значения.



English panel

Русская панель



## **GB** INSTRUCTION MANUAL

### IMPORTANT SAFEGUARDS

- **IMPORTANT SAFEGUARDS. READ CAREFULLY AND KEEP FOR FUTURE REFERENCE.** Incorrect operation and improper handling can lead to malfunction of the appliance and injuries to the user.
- Before connecting the appliance for the first time check that voltage indicated on the rating label corresponds to the mains voltage in your home.

**WARNING!** The appliance cord plug has a grounding wire and a terminal. The wall outlet must be suitable and provided with proper grounding.

- For home use only. Do not use for industrial purposes. Do not use the appliance for any other purposes than described in this instruction manual.
- Do not use outdoors.
- If the power cord is damaged it should be replaced by the manufacturer or authorized servicing center or qualified professional for safety reasons.
- Always unplug the appliance from the power supply before cleaning and when not in use.
- This appliance is not intended for use by persons (including children) with reduced physical, sensory or mental capabilities, or lack of experience and knowledge, unless they have been given supervision or instruction concerning use of the appliances by a person responsible for their safety.
- Do not attempt to repair, adjust or replace any parts of the appliance. Check and repair the malfunctioning appliance in the nearest service center only.
- Children should be supervised to ensure that they do not play with the appliance.
- Do not leave the appliance switched on when not in use.
- Do not use other attachments than those supplied.
- Do not attempt to repair, adjust or replace parts in the appliance. Check and repair the malfunctioning appliance in the nearest service center only.

**ATTENTION!** Do not operate microwave oven with damaged door or door sealing until the breakage will be repaired by authorized specialists.

**ATTENTION!** To avoid microwaves leakage danger, any cover may be removed by authorized specialists only.

- Keep the cord away from sharp edges and hot surfaces.
  - Do not pull, twist, or wrap the power cord around the appliance.
  - Do not use the appliance for drying clothes or paper.
- ATTENTION!** To prevent explosion do not process with microwaves any liquids or other products in hermetically closed utensils.
- While heating liquids with microwaves, subsequent rough boiling may take place, therefore it is necessary to take care while handling the utensils.
  - To avoid an explosion, pierce a product, which has a dense peel, such as potatoes, apples, egg yolk, chestnuts, sausage etc.
  - To prevent fire while heating food in the microwave oven using utensils made of inflammable materials, such as plastic or paper, it is necessary to watch the oven.
  - To prevent ignition or any malfunctions it is necessary to remember, that:
    - Burning of products results from too long preparation;
    - Remove all packing and foil before cooking;
    - In case of fire accident do not open the oven door, switch off the microwave oven and unplug it.
  - Do not switch on the oven when it is empty. Do not use the chamber to store anything.
  - Microwave oven is not intended for conservation of products.
  - Do not put products directly on the bottom of the chamber, use glass dish.
  - Always check the food temperature, especially if you are cooking for a child. Let the food cool down within several minutes.
  - Always follow recipes of cooking, but remember, that some products (jams, puddings, stuffing for a pie from almonds, sugar or candied fruit) are heating up very quickly.
  - To prevent short circuit keep air holes of the unit free of water.

#### **IMPORTANT:**

- Do not cook food directly on the glass tray. Place food in/on proper cooking utensil before placing in the oven.
- Before cooking please ensure that the cookware you are going to use is suitable for microwave oven.
- Microwave utensils should be used only in accordance with manufacturer's instructions.
- Please remember that a microwave oven heats liquid in a container quicker than the container itself. Therefore, though the lid of the container is not hot to touch when removed from the oven, please remember that the food/liquid inside may be hot.
- Preliminary remove all packing, metal strips and foil from products.

- **Do not cook eggs in shell or warm up hard-boiled eggs in microwave ovens, since the eggs may explode even after the microwave heating is finished.**
- Improper oven cleaning may result in surface wear-out that may influence the appliance functioning and represent danger to users.
- If the product has been exposed to temperatures below 0°C for some time it should be kept at room temperature for at least 2 hours before turning it on.
- The manufacturer reserves the right to introduce minor changes into the product design without prior notice, unless such changes influence significantly the product safety, performance, and functions.

### HOW TO CHOOSE YOUR MICROWAVE COOKWARE

**WARNING!** Follow utensils' marking and Manufacturer's guides. APPLICABLE

- **Heat-proof glassware** – It is most suitable for microwave cooking.
- **Heat-resistant plastic container** – Do not use tightly closed containers. Cannot be used for packing or containing foods with high fat or sugar contents.
- **Earthenware or chinaware** – Conventional utensils of these materials are allowed unless fired with gold, silver or any decorative metallic elements.
- **Special packing** (paper, plastic, etc.) for microwave ovens. Follow manufacture's guides exactly when use.

#### INAPPLICABLE

- **Film for freshment preservation and heat-resistant combustible plastic wares** – Never apply for packing meat or frying foods.
  - **Metal wares (e.g. aluminum, stainless steel, etc.) and aluminum foil\*** – Won't let microwaves go through and will spark or ignite touching the cavity wall during cooking.
- \* Applicable for wrapping several parts of product to prevent overheating and resulting burnt. Avoid contact with interior walls, minimum distance must be more than 2 cm.
- **Plastics** – Unfit for microwave cooking.
  - **Non-heat-proof glassware** – May deform or flaw in a highly hot circumstance. Curved or strengthened glassware is not applicable.
  - **Lacquer ware** – May flaw or peel off.
  - **Paper, bamboo or wooden ware** – May be burnt while cooking.
  - **Melamine dishes** – contain a material, which absorbs microwave energy. This may cause cracking of the dishes or char and will slow down the cooking speed.
  - In those cases when plastic or paper containers are used to heat the food in the oven, watch the oven and make sure the containers do not catch fire.

#### HOW TO IDENTIFY COOKWARE APPROPRIATENESS FOR MICROWAVE COOKING?

- Put the intended cookware together with a glass of water (250 ml) inside the oven cavity, and then switch on the oven at the maximum power for one minute.
- Suitable for microwave cookware will be as cool as ever, while the water will absorb the energy and become warmer.

#### USEFUL TIPS

- For uniform heating turn over products during cooking.
- Do not cook in a container with a restricted opening, such as a soft drink bottle or salad oil bottle, as they may explode if heated in a microwave oven.
- Do not use conventional meat or candy thermometers. These are thermometers available specifically for microwave cooking. These may be used.

#### BEFORE YOU CALL FOR SERVICE

- Check to ensure that:
  - Power supply is valid;
  - Timer settings are proper;
  - Door is securely closed engaging the door safety lock system.

#### RADIO INTERFERENCE

- Operation of the microwave oven can cause interference to your radio, TV or similar equipment.
- When there is interference, it may be reduced or eliminated by taking the following measures:
  - Clean door and sealing surface of the oven;
  - Move the microwave oven away from the receiver;
  - Reorient the receiving antenna of radio or television.
  - Plug the microwave oven into a different outlet so that microwave oven and receiver are on different branch circuits.

#### INSTALLATION

- Make sure that all the packing materials are removed from the unit.
- Check the oven for any damage in transit:
  - Misaligned or bent door and sealing;
  - Housing and door window;

- Inside surfaces.
- If any damage occurs while using, switch off and unplug the oven and contact qualified service personnel.
- Place the microwave oven on a flat, stable surface, able to hold its weight with a food to be cooked in the oven.
- Do not place the oven where heat, moisture or high humidity are generated, or near flammable materials.
- Do not place anything on the oven. Do not block any openings on the appliance.
- For correct operation, the oven must have sufficient airflow. Allow 20 cm free space above the oven, 10 cm back and 5 cm from both sides.

**MICROWAVE COOKING METHODS**

- Do not stack food. Arrange it in a single layer only. Place thicker pieces closer to dish edges.
- Watch cooking time. Cook for the shortest amount of time indicated and add more if needed. Food severely overcooked food may smoke or ignite.

*NOTE:* Cooking time may also vary depending on products shape, cut and arrangement.

- Cover products with special microwave lids or plastic wrap with one corner folded back to let out excess steam. Lids and glass casseroles are very hot – handle it carefully!
- Rearrange food such as meatballs halfway through cooking both from the top to the bottom and the center of the dish to the outside.
- Round/oval dishes rather than square/oblong ones are recommended, as food in corners tends to overcook.
- For best results remove all products from package, place at a shallow container or on a microwave cooking rack. The Glass Turntable must be used every time.
- Arrange such products as potatoes, cupcakes etc in a circle with at least 2.5 cm space between for uniform treatment.
- Pierce product shell or skin before cooking to avoid burst.
- Reheat only precooked refrigerated food and stir if the amount is large.
- Popcorn – When popping popcorn in microwave oven, follow exact guides, given by each Manufacturer for its product and do not leave microwave oven unattended at this time. If corn fails to pop after the suggested time, interrupt cooking. Overcooking could result in fire.

*CAUTION:* Never use brown paper bags for popping corn or attempt to pop leftover kernels. Do not pop prepackaged popcorn directly on the glass turntable; place the bag on a plate.

**OPERATION**

- Plug the oven to the mains.
- Place food into the oven and close the door.

*NOTE:* Oven stops operating when the door is opened.

- Turn the power switch to needed cooking function guiding by the table.

Power	Cooking mode	Output
Low	WARMING UP	17%
Defrost	For best results remove all package, place products in a shallow container or on a microwave cooking rack. The Glass Turntable must be used at all times. Try to form products compactly before freezing.	37%
M-Low	MEAT AND POULTRY	40%
Med	You can use this function for cooking omelette, bakes, and creams.	66%
M.High	This function is suitable for cooking sandwiches, pizzas, hot dogs.	85%
High	Use this function for batch, cooking meat, fish, baked potatoes and vegetables.	100%

- Use the timer to select correct cooking time.

**TIMER**

- The timer is for setting **30 min.** cooking time maximum.
- To switch the oven on, turn the timer clockwise.
- Set the time by turning the knob further clockwise.
- The oven, inner lighting and cooling fan will turn on while the time is counting down.
- Whenever you wish to interrupt the operation, you can turn the timer counterclockwise back to “0” position or open the door.

*CAUTION:* Always return the timer back to zero position if the food was removed from the oven before the set cooking time is complete or when the oven is not in use.

*CAUTION:* If your need to set time less than 2 minutes, first turn the timer to 3 minutes position and turn back to your desired time.

- After treatment time is over, the oven will automatically go off and the beep will sound.

**COOKING INTERRUPTION**

- This feature is useful for checking food cooking degree.
- Cooking will be stopped while the door is opened. With the closed door treatment will continue.

- Обработку можно прервать, просто открыв дверцу. Если ее закрыть, процесс будет продолжен.
- Для открытия двери потяните за ручку .

**CLEANING AND CARE**

- The oven should be cleaned regularly, its surface should be free of any food remainders.
- Before cleaning switch off and unplug the appliance from power supply.
- Let the oven cool down completely.
- Wipe the control panel, an external, internal surfaces and glass turntable by a damp cloth with warm soapy water and wipe dry.
- Do not use aggressive or abrasive materials.
- To avoid unpleasant smells out of the chamber make the following operation: in deep utensils, suitable for cooking in the electric oven, add a glass of water with juice of one lemon. Set the timer to 5 minutes, switch the mode control to the maximum position. After the signal take the utensils out from the chamber and wipe inside walls with a dry cloth.

**STORAGE**

- Be sure the appliance is unplugged.
- Complete all requirements of chapter “CLEANING AND CARE”.
- Keep electric oven with slightly opened door in a dry cool place.

**RUS РУКОВОДСТВО ПО ЭКСПЛУАТАЦИИ МЕРЫ БЕЗОПАСНОСТИ**

**ВАЖНЫЕ ИНСТРУКЦИИ ПО БЕЗОПАСНОСТИ.**

**ПРОЧИТАЙТЕ ВНИМАТЕЛЬНО И СОХРАНИТЕ ДЛЯ БУДУЩИХ СПРАВОК.** Неправильное обращение с прибором может привести к его поломке и причинить вред пользователю.

- Перед первоначальным включением проверьте, соответствуют ли технические характеристики , указанные на изделии, параметрам электросети.

*ВНИМАНИЕ!* Вилка шнура питания имеет провод и контакт заземления. Подключайте прибор только к соответствующим заземлённым розеткам

- Использовать только в бытовых целях в соответствии с данным Руководством по эксплуатации. Прибор не предназначен для промышленного применения.
- Не использовать вне помещений.
- Всегда отключайте устройство от электросети перед очисткой, или если Вы его не используете.
- Прибор не предназначен для использования лицами (включая детей) с пониженными физическими, чувственными или умственными способностями или при отсутствии у них опыта или знаний, если они не находятся под контролем или не проинструктированы об использовании прибора лицом, ответственным за их безопасность.
- Не пытайтесь самостоятельно ремонтировать устройство. При возникновении неполадок обращайтесь в ближайший Сервисный центр.
- Дети должны находиться под контролем для недопущения игры с прибором.

*ВНИМАНИЕ!* Использование печи детьми без надзора разрешается только в том случае, если им объяснены правила безопасного использования печи и те опасности, которые могут возникнуть при ее неправильном пользовании.

- Не оставляйте включенный прибор без присмотра.
- Не используйте принадлежности, не входящие в комплект поставки.
- При повреждении шнура питания его замену, во избежание опасности, должен производить изготовитель или уполномоченный им сервисный центр, или аналогичный квалифицированный персонал.

*ВНИМАНИЕ!* При повреждении дверцы или дверных уплотнений с печью работать нельзя до тех пор, пока квалифицированный специалист не устранит неисправность.

*ВНИМАНИЕ!* Во избежание опасности повышенной утечки микроволнового излучения все ремонтные работы, связанные со снятием любых крышек, должны выполняться только специалистами.

- Следите, чтобы шнур питания не касался острых кромок и горячих поверхностей.
- Не тяните за шнур питания, не перекручивайте и не обматывайте его вокруг устройства.
- Используйте микроволновую печь только для приготовления продуктов. Ни в коем случае не сушите в ней одежду, бумагу или другие предметы.

**ВНИМАНИЕ!** Жидкости или другие продукты нельзя разогревать в закрытых емкостях во избежание взрыва этих емкостей.

- При нагреве напитков с помощью микроволн может иметь место последующее бурное кипение, поэтому необходимо проявлять внимание и осторожность при обращении с емкостями.
- Чтобы продукты не лопались во время приготовления, перед закладкой в печь протыкайте ножом или вилкой плотную кожуру или оболочку, например, картофеля, яблок, каштанов, колбасы и т.п.
- При нагреве в печи пищевых продуктов в посуде из пластика или бумаги необходимо наблюдать за печью, чтобы не допустить возгорания.
- Во избежание возгорания в печи необходимо:
  - избегать пригара продуктов в результате слишком продолжительного приготовления;
  - загружать продукты в микроволновую печь без упаковки, в т.ч. без фольги;
  - при появлении дыма необходимо отключить печь и держать дверцу закрытой, чтобы избежать выхода пламени.
- Не включайте печь с пустой камерой. Не используйте камеру для хранения чего-либо.
- Микроволновая печь не предназначена для консервирования продуктов.
- Не выкладывайте продукты непосредственно на дно камеры, используйте стеклянное блюдо.
- Во избежание ожогов необходимо перемешивать или взбалтывать содержимое бутылочек и баночек с детским питанием и проверять температуру пищи перед употреблением.
- Руководствуйтесь рецептами приготовления, но помните, что некоторые продукты (джемы, пудинги, начинки для пирога из миндаля, сахара или цукатов) нагреваются очень быстро.
- Во избежание короткого замыкания и поломки печи, не допускайте попадания воды в вентиляционные отверстия.

**ВНИМАНИЕ:**

- Продукты следует готовить в специальной посуде, а не выкладывать непосредственно на стеклянное блюдо, за исключением случаев, специально оговоренных в рецепте приготовления блюда.
- Следует использовать только посуду, предназначенную для использования в микроволновых печах.
- Пригодной для приготовления в микроволновых печах посудой следует пользоваться в строгом соответствии с инструкциями изготовителя посуды.
- Помните, что в микроволновой печи содержимое нагревается намного быстрее, чем посуда, поэтому будьте предельно внимательны при извлечении посуды из печи, осторожно открывайте крышку во избежание ожога паром.
- Предварительно удаляйте с продуктов или их упаковки металлические ленты и фольгу.
- **В микроволновых печах нельзя готовить яйца в скорлупе и разогревать сваренные вкрутую яйца, т.к. они могут взорваться даже после окончания микроволнового нагрева.**
- Ненадлежащее поддержание печи в чистом состоянии может привести к износу поверхности, что может неблагоприятно повлиять на работу прибора и создать возможную опасность для пользователя.
- Если изделие некоторое время находилось при температуре ниже 0°C, перед включением его следует выдержать в комнатных условиях не менее 2 часов.
- Производитель оставляет за собой право без дополнительного уведомления вносить незначительные изменения в конструкцию изделия, кардинально не влияющие на его безопасность, работоспособность и функциональность.

#### **ПОСУДА ДЛЯ МИКРОВОЛНОВОЙ ПЕЧИ**

**ВНИМАНИЕ!** Руководствуйтесь маркировкой на посуде и указаниями производителя.

**ПРИГОДНАЯ**

- **Жаропрочное стекло** – наилучший материал посуды для приготовления в микроволновой печи.
- **Термостойкий пластик** – в такой посуде не следует готовить пищу с высоким содержанием жира или сахара. Нельзя использовать плотно закрывающиеся контейнеры.
- **Фаянс и фарфор** – подходят для готовки в микроволновой печи, за исключением позолоченной, посеребренной или посуды с декоративными металлическими элементами.
- **Специальная упаковка** (бумажная, пластиковая и др.), предназначенная для микроволновых печей – строго придерживайтесь указаний изготовителя.

**НЕПРИГОДНАЯ**

- **Пленка для хранения продуктов, а также термостойкие полиэтиленовые пакеты** – непригодны для жарки мяса и любых других продуктов.

- **Металлическая посуда (алюминиевая, из нержавеющей стали и др.) и пищевая фольга\*** – экранируют микроволны; при контакте со стенками жарового шкафа могут вызвать искрение и короткое замыкание в процессе приготовления.
- \* Можно применять для оборачивания одним слоем отдельных частей продукта во избежание перегрева и пригорания. Не допускайте контакта со стенками, расстояние до них должно быть не меньше 2 см.
- **Плашки пластики** – не подходят для приготовления в микроволновой печи.
- **Лакированная посуда** – под воздействием микроволн лак может расплавиться.
- **Обычное стекло (в т.ч. фигурное и толстое)** – под воздействием высоких температур может деформироваться.
- **Бумага, соломка, дерево** – под воздействием высокой температуры могут воспламениться.
- **Меламиновая посуда** – может поглощать микроволновое излучение, что вызывает ее растрескивание или термодеструкцию и существенно увеличивает время приготовления.

**КАК ОПРЕДЕЛИТЬ, ПОДХОДИТ ЛИ ПОСУДА ДЛЯ МИКРОВОЛНОВОЙ ПЕЧИ?**

- Включите печь и установите переключатель режимов работы на максимальную мощность (максимальная температура), поместите в печь на 1 минуту тестируемую посуду и поставьте рядом стакан воды (~ 250 мл).
- Посуда, пригодная для приготовления пищи в микроволновой печи останется той же температуры, что и перед установкой в печь, в то время как вода нагреется.

#### **ПОЛЕЗНЫЕ СОВЕТЫ**

- Не используйте посуду с узким горлышком, бутылки, так как они могут взорваться.
- Не используйте термометры для измерения температуры продуктов. Используйте только специальные термометры, предназначенные для микроволновых печей.

#### **ПРЕЖДЕ ЧЕМ ОБРАТИТЬСЯ В СЕРВИС**

- Если печь не включается, проверьте:
  - исправность розетки и наличие напряжения в электросети;
  - правильность установки таймера;
  - плотно ли закрыта дверца.

#### **РАДИОПОМЕХИ**

- Микроволны могут вызвать помехи при приеме теле- или радиосигналов.
- Чтобы минимизировать помехи:
  - регулярно очищайте дверцы и уплотнители;
  - устанавливайте телевизор и радиоприемник как можно дальше от микроволновой печи;
  - ориентируйте приемную антенну для достижения наилучшего результата.
  - подключите микроволновую печь и приемник к различным линиям электросети.

#### **УСТАНОВКА**

- Убедитесь, что внутри печи нет упаковочных материалов и посторонних предметов.
- Проверьте, не повреждены ли при транспортировке:
  - дверца и уплотнители;
  - корпус и смотровое окно;
  - стенки камеры.
- При обнаружении любых дефектов не включайте печь; обратитесь к продавцу или в сервисный центр.
- Установите микроволновую печь на ровную горизонтальную поверхность, достаточно прочную, чтобы выдержать вес печи с продуктами и посудой.
- Не размещайте печь вблизи источников тепла.
- Ничего не кладите на печь. Не перекрывайте вентиляционные отверстия.
- Микроволновую печь не следует располагать в шкафу. Для нормальной работы печи необходимо обеспечить свободное пространство для вентиляции: не менее: 20 см сверху, 10 см со стороны задней панели и не менее 5 см с боковых сторон.

#### **ПРИЕМЫ ГОТОВКИ В МИКРОВОЛНОВОЙ ПЕЧИ**

- Размещайте продукты только в один слой, более толстые куски кладите ближе к краям.
- Следите за временем приготовления, задавайте его по минимуму, постепенно увеличивая по мере необходимости. При слишком продолжительной готовке продукты могут задымиться и загореться.

**ПРИМЕЧАНИЕ:** Время приготовления также может изменяться в зависимости от формы, размеров и размещения продуктов. Большие или толстые куски готовятся дольше, а мелкие – быстрее.

- Накрывайте продукты специальными крышками или пластиком, отгибая один из углов для выпуска избыточного пара. Крышки очень сильно нагреваются – обращайтесь с ними осторожно!
- Для более равномерного прогрева и ускорения приготовления переворачивайте и перемешивайте продукты.
- Круглые/овальные блюда, в отличие от квадратных/прямоугольных, также обеспечивают более равномерный прогрев.
- Размораживайте продукты без упаковки в неглубоком поддоне, обязательно используя вращающееся стеклянное блюдо. Замораживая продукты, придавайте им по возможности компактную форму.
- Расстояние между продуктами, например, овощами, кексами и т.п. должно быть не меньше 2,5 см, чтобы обеспечить равномерную обработку.
- Протыкайте плотную кожуру или оболочку, чтобы избежать разрыва продукта.
- Разогревайте только готовые и охлажденные продукты, перемешивая их.
- Попкорн – строго придерживайтесь инструкций производителя и не оставляйте микроволновую печь без присмотра. Если продукт не готов в положенное время, прервите готовку. Слишком продолжительная обработка может привести к возгоранию.

**ПРЕДОСТЕРЕЖЕНИЕ:** Не используйте пакеты из коричневой бумаги для приготовления попкорна и не пытайтесь использовать остатки зерен. Не помещайте упаковку с попкорном непосредственно на стеклянное блюдо, кладите его на тарелку.

#### РАБОТА

- Подключите печь к электросети.
  - Поместите продукты в печь и закройте дверцу.
- ПРИМЕЧАНИЕ:** При открытой дверце печь работать не будет.
- Руководствуясь таблицей, переключателем установите режим обработки.

Мощность	Режим работы	Уровень мощности
Низкая	Подогрев.	17%
Размораживание	Размораживайте продукты без упаковки в неглубоком поддоне, обязательно с вращающимся стеклянным блюдом. Замораживая продукты, придавайте им по возможности компактную форму.	37%
Ниже среднего	Мясо и птица	40%
Средняя	Омлеты, выпечка, кремы	66%
Выше средней	Бутерброды, пицца	85%
Высокая	Выпечка, мясо и рыба, печеный картофель и другие овощи, попкорн	100%

- Установите таймер на необходимое время.
- ТАЙМЕР**
- Служит для установки времени обработки в пределах **30 минут**.
  - Чтобы включить печь, поверните ручку таймера по часовой стрелке.
  - Задайте желаемое время, поворачивая ручку по часовой стрелке.
  - С момента установки таймера печь включается и начинает работать внутреннее освещение и вентиляция.
  - Если приготовление необходимо прервать, установите таймер в положение «0» или откройте дверцу.

**ВНИМАНИЕ:** Всегда возвращайте таймер в положение «0», если продукты были извлечены до окончания времени приготовления, и Вы не будете продолжать готовку.

**ВНИМАНИЕ:** Если для обработки требуется менее 2 минут, сначала поверните таймер за отметку, соответствующую 3 минутам, а затем верните его в необходимое положение.

- По истечении установленного времени печь автоматически отключится и раздастся звуковой сигнал.

#### ПРИОСТАНОВКА ПРИГОТОВЛЕНИЯ

- Данная функция полезна для проверки степени готовности продукта.
- Обработку можно прервать, просто открыв дверцу. Если ее закрыть, процесс будет продолжен.
- Для открытия двери потяните за ручку.

#### ОЧИСТКА И УХОД

- Печь следует регулярно чистить и удалять с ее поверхности любые остатки пищи.
- Перед очисткой выключите и отключите печь от электросети.
- Дайте печи полностью остыть.

- Протрите панель управления, внешние и внутренние поверхности, уплотнители, стеклянное блюдо влажной тканью с моющим средством.
- Не применяйте агрессивные вещества или абразивные материалы.
- Чтобы удалить неприятный запах, налейте в какую-либо глубокую посуду, пригодную для микроволновой печи, стакан воды с соком из одного лимона, и поставьте в печь. Установите таймер на 5 минут, переключатель режимов работы в максимальное положение. Когда раздастся звуковой сигнал и печь отключится, извлеките посуду и протрите стенки камеры сухой тканью.

#### ХРАНЕНИЕ

- Убедитесь, что печь отключена от электросети и полностью остыла.
- Выполните все требования раздела "ОЧИСТКА И УХОД".
- Храните печь с приоткрытой дверцей в сухом чистом месте.

## CZ NÁVOD K POUŽITÍ BEZPEČNOSTNÍ POKYNY

- **DŮLEŽITÉ BEZPEČNOSTNÍ INSTRUKCE. POZORNĚ SI PŘEČTĚTE A USCHOVEJTE PRO PŘÍPADNÉ DOTAZY.**
- Nesprávné manipulace se spotřebičem mohou vést k jeho poruchám anebo způsobit zranění uživatele.
- Před prvním použitím spotřebiče zkontrolujte, zda technické údaje uvedené na nálepce odpovídají parametrům elektrické sítě.
- **UPOZORNĚNÍ!** Zástrčka napájecího kabelu má šňůru a uzemňovací kontakt. Připojujte spotřebič pouze ke příslušným uzeměným zásuvkám.
- Používejte pouze v domácnosti a v souladu s tímto Návodem k použití. Spotřebič není určen pro průmyslové účely.
- Používejte přístroj pouze ve vnitřních prostorách.
- Spotřebič není určen k použití osobami (včetně dětí) se sníženými fyzickými, mentálními schopnostmi nebo smysly, nebo osobami, které nemají zkušenosti nebo znalosti, pokud se nenacházejí pod dohledem nebo nejsou instruováni o použití spotřebiče osobou, zodpovědnou za jejich bezpečnost.
- Nesmíte sami provádět jakékoliv opravy přístroje nebo výměnu součástí. Pokud je to nutno, obraťte se na nejbližší servisní středisko.
- Děti musí být pod dohledem pro zabránění her se spotřebičem.
- Při poškození přívodní šňůry její výměnu, pro zamezení nebezpečí, musí provádět výrobce nebo jim zmocněné servisní středisko, nebo obdobný kvalifikovaný personál.
- Vždy vytáhněte zástrčku ze zásuvky před čištěním a v případě, že spotřebič nepoužíváte.

**UPOZORNĚNÍ!** Použití trouby dětmi bez dohledu je povoleno pouze v případě, když jim jsou dány příslušné a srozumitelné bezpečnostní pokyny a vědí o nebezpečí, které může způsobit nesprávné použití trouby.

- Nenechávejte zapnutý spotřebič bez dozoru.
- Používejte spotřebič výhradně s příslušenstvím z dodávky.
- Nepoužívejte spotřebič s poškozeným napájecím kabelem.
- **UPOZORNĚNÍ!** Při poškození dvířek nebo těsnění je zakázáno použití trouby, dokud ji odborník neopraví.
- **UPOZORNĚNÍ!** Pro zamezení nebezpečí zvýšeného mikrovlnného záření, veškeré opravy spojené s demontáží jakýchkoli krytů s mikrovlnné trouby smí provádět pouze odborník.
- Dávejte pozor a chraňte síťový kabel před ostrými hranami a horkem.
- Netáhněte za napájecí kabel, nepřekrucujte jej a neotáčejte kolem tělesa spotřebiče.
- Používejte mikrovlnné trouby výhradně pro přípravu pokrmů. V žádném případě nesušte v ní oděv, papír nebo jiné předměty.
- **UPOZORNĚNÍ!** Tekutiny a jiné potraviny nelze ohřívat v zavřených nádobách, jinak by tyto nádoby mohly explodovat.
- Při ohřívání pomocí mikrovlnné trouby nápojů, nějakou dobu po ohřívání může tekutina vřele vařit. Dávejte si na to pozor.
- Aby potraviny nepraskly během přípravy, než je dáte do pečící trouby, propíchněte nožem nebo vidličkou tvrdou slupku nebo obal, např. u brambor, jablek, kaštanů, klobas apod.
- Při ohřívání pomocí mikrovlnné trouby potravin v nádobě z hořlavých hmot, jako třeba plast a papír, pozorujte mikrovlnnou troubu, aby nedošlo k jejímu vzplanutí.
- Pro zamezení požáru v pečící troubě je třeba:
  - dbát na to, aby se pokrmy nepřipekly kvůli příliš dlouhé době přípravy;
  - dávat do pečící trouby pokrmy bez balení, včetně alobalu;
  - v případě požáru v troubě, neotevírejte dvířka, vypněte pečící troubu a odpojte ji od elektrické sítě.
- Nezapínejte prázdnou mikrovlnnou troubu. Nepoužívejte ji na uschovávání čokolady.

- Mikrovlnná trouba není určena pro konzervování potravin.
- Nedávejte potraviny přímo na dno trouby, používejte odnímatelnou mřížku nebo pekač.
- Vždy kontrolujte teplotu připravených pokrmů, obzvlášť jsou-li určeny pro děti. Nedávejte pokrmy ne stůl hned, počkejte až trochu vychladnou.
- Můžete se řídit kuchařskými recepty, pamatujte si však, že se některé potraviny (džemy, pudink, nádivky z mandlí, cukru nebo kandovaného ovoce) zahřejí velice rychle.
- Pro zamezení zkratu a poškození pečící trouby dbějte na to, aby se do větracích otvorů nedostala voda.

#### UPOZORNĚNÍ:

- Pokrmy se připravují ve speciálním nádobí, nedávejte je přímo na skleněnou mísu, kromě případu, které jsou zvláštně popsány v receptech.
- Používejte jen nádobí, které je určeno pro mikrovlnnou troubu.
- Vhodného pro přípravu v mikrovlnné troubě nádobí používejte přesně v souladu s návodem výrobce nádobí.
- Pamatujte si, že se v mikrovlnné troubě pokrmy ohřívají mnohem rychleji než nádobí, a proto pro zamezení popálenin dávejte pozor, když vyndáváte nádobí s pokrmem z trouby a zvedáte poklici.
- Předem odstraňte z potravin nebo jejich obalů kovovou stužku nebo alobal.
- **В микроволновых печах нельзя готовить яйца в скорлупе и разогревать сваренные вкрутую яйца, т.к. они могут взорваться даже после окончания микроволнового нагрева.**
- Nedodržení pokynů na čištění trouby může způsobit poškození povrchu, což může nepříznivě ovlivnit provoz přístroje a způsobit nebezpečí pro uživatele.
- Pokud byl výrobek určitou dobu při teplotách pod 0° C, před zapnutím ho nechejte při pokojové teplotě po dobu nejméně 2 hodiny.
- Výrobce si vyhrazuje právo bez dodatečného oznámení provádět menší změny na konstrukci výrobku, které značně neovlivní bezpečnost jeho používání, provozuschopnost ani funkčnost.

#### NÁDOBÍ PRO MIKROVLNNOU TROUBU

**UPOZORNĚNÍ!** Sledujte informaci na nádobí a pokyny výrobce. VHDNÉ

- **Žáropevné sklo** – nejlepší látka nádobí pro mikrovlnnou troubu.
- **Teplvodorný plast** – v takovém nádobí nelze připravovat pokrmy s velkým obsahem tuku nebo cukru. Nepoužívejte nádobí, které se hermeticky zavírají.
- **Fajáns a porcelán** – vhodné pro přípravu v mikrovlnné troubě, kromě nádobí s pozlacením, postříbením nebo ozdobnými kovovými elementy.
- **Speciální obaly** (papírové, plastové aj.) určené pro mikrovlnnou troubu – přesně splňujte pokyny výrobce.

#### NEVHDNÉ

- **Folie a teplvodorné plastové sáčky** – nejsou vhodné pro smažení masa a jakýchkoliv jiných potravin.
- **Kovové nádobí (hliníkové, nerez aj.) a alobal\*** – stíní mikrovlny; při kontaktu se vnitřní plochou trouby mohou způsobit jiskření a zkrat během přípravy pokrmů.
- \* Můžete používat na jednovrstvé balení některých částí pokrmů pro zamezení přehřátí a připalování. Dbejte na to, aby se alobal nedotýkal vnitřní plochy trouby, minimální vzdálenost je 2 cm.
- **Tavitelné plasty** – jsou nevhodné pro přípravu pokrmů v mikrovlnné troubě.
- **Lakované nádobí** – působením vysoké teploty se může lak roztvítit.
- **Obyčejné sklo (včetně tvarového a silného)** – působením vysoké teploty se mohou deformovat.
- **Papír, sláma, dřevo** – působením vysoké teploty mohou začít hořet.
- **Melaminové nádobí** – může pohltnout mikrovlnné záření, mohlo by to způsobit pukání nebo termodestrukci nádobí a prodloužit dobu přípravy pokrmů.

JAK ZJISTÍTE, ŽE TOTO NÁDOBÍ JE VHDNÉ PRO MIKROVLNNOU TROUBU?

- Zapněte mikrovlnnou troubu a nastavte přepínač provozních režimů na maximální výkon (maximální teplotu), dejte do trouby na dobu 1 minuta nádobí a vedle něho postavte sklenici s vodou (~ 250 ml).
- Nádobí vhodné pro přípravu pokrmů v mikrovlnné troubě bude mít stejnou teplotu, jako před tím, co jste ho dali do trouby, a voda ve sklenici se ohřeje.

#### PRAKTICKÉ RADY

- Pro rovnoměrné ohřívání pokrmů obračte je během přípravy.
- Nepoužívejte nádobí s úzkým hrdlem, láhve, protože mohou explodovat.
- Nepoužívejte teploměry pro měření teploty pokrmů. Používejte pouze speciální teploměry určené pro mikrovlnnou troubu.

NEŽ SE OBRÁTÍTE NA SERVISNÍ SRŘEDISKO

- Nezapíná-li se trouba, překontrolujte, zda:
  - je zásuvka v provozu a v elektrické síti je proud;

- je časovač nastaven správně;
- dvířka dolehla.

#### RADIOVÉ PORUCHY

- Mikrovlnné trouby mohou způsobit poruchy při příjmu televizního a rozhlasového signálu.
- Aby poruchy byly minimální:
  - pravidelně čistěte dvířka a kovové těsnicí podložky;
  - stavte televizor co nejdále od mikrovlnné trouby;
  - nastavte přijímací anténu pro nejlepší výsledek.
- připojte mikrovlnnou troubu a přijímač do různých linek elektrické sítě.

#### NASTAVENÍ

- Překontrolujte, zda uvnitř pečící trouby nejsou balicí materiál a jiné předměty.
- Překontrolujte, zda nejsou poškozeny během převážení:
  - dvířka a kovové těsnicí podložky;
  - těleso spotřebiče nebo průzor;
  - vnitřní plochy trouby a dvířek.
- Má-li nová mikrovlnná trouba jakékoliv vady, obraťte se k prodejci.
- Postavte mikrovlnnou troubu na rovnou horizontální plochu. Musí být dost pevná, aby vydržela váhu trouby (i s potravinami a nádobím).
- Neumísťujte mikrovlnnou troubu v blízkosti zdrojů tepla.
- Nestavte nic na mikrovlnnou troubu ani nezavírejte větrací otvory.
- Pro normální provoz pečící trouby je potřeba volná prostora minimálně 20 cm shora, 10 cm zezadu a 5 cm z boků.

#### PŘÍPRAVA POKRMŮ V MIKROVLNNÉ TROUBĚ

- Potraviny dávejte do mikrovlnné trouby jednou vrstvou, silnější kusy dávejte blíže k okraji.
- Kontrolujte dobu přípravy, nastavujte minimální čas a postupně ho přidávejte, pokud je to třeba. Je-li doba přípravy příliš dlouhá, pokrmy začnou kouřit a hořet.

**UPOZORNĚNÍ:** Doba přípravy může být změněna vzhledem k tvaru, velikosti a poloze potravin. Velké a silné kusy se připravují déle, menší – rychleji.

- Přikryjte potraviny speciálními poklicemi nebo plastem, ohněte jeden z rohů pro vypouštění zbytků páry. Poklice se velmi ohřívají – buďte opatrní!
- Pro rovnoměrnější ohřívání a rychlejší přípravu obračte a míchejte pokrmy.
- Kulaté/zaoblené mísy na rozdíl od htanatých/obdélkových také zajišťují rovnoměrnější ohřívání.
- Rozmrazujte potraviny bez obalu ve mělké nádobě nebo na roštu pro mikrovlnnou troubu, nutně používejte otočnou skleněnou mísu. Při zamrazování potravin dbejte na to, aby měly kompaktnější tvar.
- Minimální vzdálenost mezi potravinami, např. zeleninou, pečivem apod. má být 2,5 cm, aby příprava byla rovnoměrná.
- Propíchněte silný obal, aby se potraviny neroztrhly.
- Ohřívajte pouze hotové nebo studené pokrmy, míchejte je.
- Popkorn – přesně sledujte návod výrobce a nenechávejte mikrovlnnou troubu bez dohledu. Není-li popkorn hotový za stanovenou dobu, přerušte přípravu. Příliš dlouhá doba přípravy může způsobit požár.

**VAROVÁNÍ:** Nepoužívejte obaly z hnědého papíru pro přípravu popkorna a nepoužívejte zbytky zrn. Nedávejte sáček s popkornem přímo na skleněnou mísu, dejte jej na talíř.

#### PROVOZ

- Zapojte troubu do elektrické sítě.
  - Dejte potraviny do trouby a zavřete dvířka.
- UPOZORNĚNÍ:** S otevřenými dvířky trouba nebude fungovat.
- Podle tabulky přepínačem nastavte režim zpracování.

Výkon	Režim provozu	Uroveň výkonu
Nízký	Zahřívání.	17%
Rozmrazování	Rozmrazujte potraviny bez obalu v mělké nádobě, nutně používejte otočnou skleněnou mísu. Při zamrazování potravin dbejte na to, aby měly kompaktnější tvar.	37%
Středně nízký	Maso a drůbež	40%
Střední	Omelety, pečivo, krémy	66%
Středně vysoký	Toasty, pizza	85%
Vysoký	Pečivo, maso a ryby, pečené brambory a jiná zelenina, pražená kukuřice	100%

- Nastavte pomocí časového spínače potřebný čas.

#### ČASOVÝ SPÍNAČ

- Slouží pro nastavení času zpracování v rozmezí 30 minut.



- Pro zapnutí trouby otočte časový spínač ve směru hodinových ručiček.
- Nastavte potřebný čas.
- Od okamžiku nastavení časového spínače se trouba zapíná a začíná fungovat vnitřní osvětlení a ventilace.
- Pro zastavení přípravy nastavte časový spínač do polohy «0» nebo otevřete dvířka.

**UPOZORNĚNÍ:** Vždy otáčejte časový spínač do polohy «0», když jste dočasně ukončili přípravu a již nebudete pokračovat.

**UPOZORNĚNÍ:** Když na zpracování potřebujete méně než 2 minuty, otočte časový spínač za polohu 3 minuty a potom ho vraťte do potřebné polohy.

- Po vypršení nastaveného času trouba se automaticky vypne a zazní zvukový signál.

#### POZASTAVENÍ PŘÍPRAVY

- Tato funkce je užitečná pro kontrolu stupně připravenosti potravin.
- Zpracování můžete zastavit otevřením dvířek. Když je zavřete, proces bude pokračovat.
- Pro otevření dvířek zatáhněte za rukojeť.

#### ČIŠTĚNÍ A ÚDRŽBA

- Pravidelně čistěte troubu a pokaždé odstraňujte z jejího povrchu všechny zbytky pokrmů.
- Před čištěním vypněte mikrovlnnou troubu a odpojte ji od elektrické sítě.
- Počkejte, až mikrovlnná trouba úplně vychladne.
- Očistěte ovládací panel, vnější a vnitřní plochy vlhkým hadrem s mycím prostředkem.
- Nepoužívejte útočné látky ani brusné materiály.
- Pro odstranění nepříjemných zápachů nalijte do nějaké hluboké nádoby vhodné do mikrovlnné trouby jednu sklenici vody se šťávou jednoho citrónu a dejte ji uvnitř trouby. Nastavte časovač na 5 minut, přepínač režimů do maximální polohy. Až uslyšíte zvukový signál a mikrovlnná trouba se vypne, vyndejte nádobu a vytřete mikrovlnnou troubu suchým hadrem.

#### SKLADOVÁNÍ

- Překontrolujte, zda je mikrovlnná trouba odpojena od elektrické sítě a úplně vychladla.
- Splňte všechny pokyny části ČIŠTĚNÍ A ÚDRŽBA.
- Skladujte mikrovlnnou troubu s pootevřenými dvířky v suchem a chladném místě.

## **BG** РЪКОВОДСТВО ЗА ЕКСПЛОАТАЦИЯ ПРАВИЛА ЗА БЕЗОПАСНОСТ

- ВАЖНИ УКАЗАНИЯ ЗА БЕЗОПАСНОСТ, МОЛЯ, ПРОЧЕТЕТЕ ВНИМАТЕЛНО И ЗАПАЗЕТЕ ЗА БЪДЕЩА СПРАВКА.
- Неправилна експлоатация може да доведе до неизправности в работата на уреда или да причини здравословни и материални щети.
- Преди първо включване проверете, дали посочените технически характеристики на уреда съответстват с захранването във Вашата мрежа.

**ВНИМАНИЕ!** Щепселът на кабела и кабелът са заземени. Затова включвайте уреда само в специални заземени контакти.

- Използва се само за битови нужди и съответно това ръководство за експлоатация. Уредът не е предназначен за промишлена употреба.
- Не експлоатирайте уреда навън.
- Винаги изключвайте уреда от контакта, ако не го ползвате, а също така преди да го почиствате.
- Фурната не трябва да се управлява от хора (включително деца) с понижени физически, сетивни или умствени способности, или от лица, които не притежават съответните знания и опит, ако тези лица не са под надзор или не са инструктирани относно използването на фурната от друго лице, отговарящо за тяхната безопасност.
- Не поправяйте уреда самостоятелно. За отстраняване на повреди се обърнете в най-близкия сервизен център.
- Децата не трябва да се оставят сами до фурната и не трябва да им се разрешава да играят с нея.
- В тези случаи, когато захранващият кабел е повреден, с цел избягване на рискови ситуации, захранващият кабел трябва да бъде заменен от производителя или оторизиран център за обслужване, или от квалифициран специалист.
- **ВНИМАНИЕ!** Използване на печката без надзор на възрастен се разрешава на децата само в случая, ако са им дадени съответни и точни инструкции за безопасното ползване на уреда и ако е казано за евентуалните опасности, които могат да възникнат при неправилна експлоатация на печката.
- Не оставяйте включения уред без надзор.
- Използвайте само съставните части от комплекта.
- Не експлоатирайте изделия с повреден кабел.

**ВНИМАНИЕ!** При повреда на вратичката или уплътнителите ѝ се забранява да експлоатирате печката, докато квалифициран специалист отстрани нередовността.

**ВНИМАНИЕ!** С цел предотвратяване на поява на излишно микровълново излъчване всички поправки, свързани с каквото и да било разглобяване на печката, трябва да се извършват само от специалисти.

- Следете, кабелът да не докосва горещи повърхности и остри предмети.
- Не дърпайте, не усуквайте кабела, а също така не обвивайте с кабела корпуса на уреда.
- Използвайте микровълновата печка само за приготвяне на продукти. В никакъв случай не подсушавайте в нея дрехи, хартия или други предмети.
- **ВНИМАНИЕ!** Течности или други продукти да не се затоплят в затворени съдове с цел предотвратяване тяхната експлозия.
- При затопляне на течностите с помощта на микровълни, може да има силно бълбукане, затова внимавайте със съдовете, когато ги използвате.
- За да продуктите не се пукат по време на приготвяне, преди да ги слагате в печката, наобдете с вилица или нож обелката или кожата на картофи, ябълки, кестени, салам и т.н.
- При затопляне в печката на продуктите, опаковани в леснозапалими материали, такива като пластмаса или хартия, необходимо е да наблюдавате процеса, за да избегнете изгаряния.
- С цел предотвратяване на изгаряния в камерата на печката е необходимо:
  - избягвайте загаряне на продукта в резултата не много дълго готвене;
  - слагайте продуктите в микровълновата печка без опаковка или фолио;
  - в случая на изгаряния в камерата, изключете печката, без да отваряте вратичката, и извадете щепсела от контакта.
- Не включвайте печката с празна камера. Не ползвайте камерата за съхраняване на нещата.
- Микровълновата печка не е предназначена за консервиране на храни.
- Не слагайте продуктите непосредствено на дъното на камерата, използвайте сваляща се решетка или табла.
- Винаги проверявайте температурата на приготвената храна, особено, ако тя е предназначена за деца. Не слагайте храната на масата веднага след приготвянето ѝ, нека тя първо да изстине.
- Като следвате готварски рецепти, внимавайте, защото някои продукти (сладка, пудинги, пълнежи за сладкиши от бадеми, захар или захаросани плодове) много бързо се затоплят.
- С цел предотвратяване на късо съединение или разваляне на печката, не допускайте попадане на вода във вентилационните отвори.
- **ВНИМАНИЕ:**
  - Продуктите трябва да се приготвят в специални съдове, а не да се слагат непосредствено върху стъклената чиния, с изключение на случаи, за които се пише в готварски рецепти.
  - Използвайте само тези съдове, които са подходящи за експлоатация в микровълнови печки.
  - Използвайте съдове, подходящи за микровълновите печки, само в съответствие с инструкции на производителя.
  - Помнете, че в микровълновата печка храната се затопля много по-бързо, отколкото самите съдове, затова много внимавайте при вадене на нещата от камерата, не бързайте при отваряне на капака на съда, за да не се опечете от парата.
  - Предварително премахвайте от продукта опаковка, метални обвивки и фолио.
  - **Да не се готвят яйца с черупки и да не се притоплят твърдо сварени яйца в микровълнова печка, тъй като яйцата могат да се взривят и след като притоплянето в микровълновата е приключило.**
  - Недостатъчно поддържане на печката в чисто състояние може да доведе до избягване на повърхността, което ще повлияе отрицателно на работа ѝ и може да има неблагоприятни последици за човека при експлоатацията на уреда.
  - Ако изделието известно време се е намирало при температура под 0°C, тогава преди да го включите, то трябва да престои на стайна температура не по-малко от 2 часа.
  - Производителят си запазва правото без допълнително уведомление да внася незначителни промени в конструкцията та на изделието, като същите да не влияят

кардинално върху неговата безопасност, работоспособност и функционалност.

## СЪДОВЕ ЗА МИКРОВОЛНОВАТА ПЕЧКА

**ВНИМАНИЕ!** Следвайте маркировка върху съдове и препоръки на производителя.

ПОДХОДЯЩИ СА:

- **Термоустойчиво стъкло** – най-добрия материал на съдове за готвене в микровълновата печка.
- **Термоустойчив пластик** – в такива съдове не се препоръчва да се приготвя храна с високо съдържание на мазнина или захар. Забранява се да се използват плътно затварящи се опаковки.
- **Фаянс и порцелан** – подходящи са за приготвяне в микровълновата печка, с изключение на позлатени, посребрени съдове или тези, които имат декоративни метални елементи.
- **Специална опаковка** (хартиена, пластмасова и др.), предназначена за микровълнови печки – стриктно спазвайте препоръки на производителя.

НЕ СА ПОДХОДЯЩИ

- **Найлоново фолио за съхраняване на продуктите, а също така термоустойчиви найлонови торбички** – не са подходящи за пържене на месо и различни други продукти.
- **Метални съдове (алуминиеви, от неръждаема стомана и др.) и фолио\*** – екранират микровълни; при контакта с вътрешните повърхности на камерата могат да предизвикат искрене или късо съединение по време на приготвяне.

\* Отделни части на продукта обръщайте един път за да избегнете чрезмерно претопляне или загаряне на храната. Не допускайте контакта с вътрешните повърхности на камерата, разстоянието до тях трябва да бъде не по-малко от 2 см.

- **Топими пластмаси** – не са подходящи за използване в микровълновите печки.
- **Лакирани съдове** – под въздействие на микровълни лакът може да се разтопи.
- **Обикновено стъкло (също фигурно или дебело)** – под въздействие на високи температури може да се деформира.
- **Хартия, сламка, дърво** – под въздействие на високи температури могат да се възпламенят.

- **Меламинови съдове** – могат да поглъщат микровълново излъчване, което предизвиква спукване или термодеструкция и съществено увеличава време на приготвяне.

КАК ДА ОПРЕДЕЛИМ СЪДОВЕ, ПОДХОДЯЩИ ЗА МИКРОВОЛНОВАТА ПЕЧКА?

- Включете печката и поставете превключвателя на режими за работа в максимално положение (максимална температура), поместете в печката за 1 минута тестван съд и поставете заедно с него чаша вода (~ 250 мл).
- Съдовете, подходящи за използване в микровълновите печки, съхраняват същата температура, която беше преди слагането им в печката, при това водата ще се затопли.

## ПРЕПОРЪКИ

- За равномерно затопляне на продуктите можете да ги обръщате.
- Не ползвайте такива съдове с тесни отвори, като бутилки и т.н., защото те могат да експлодират.
- Не ползвайте термометри за измерване на температура на продуктите. Използвайте само специални термометри, предназначени за микровълновите печки.

ПРЕДИ ДА СЕ ОБЪРНЕТЕ В СЕРВИЗА

- Ако печката не се включва, проверете:
  - контактите трябва да са в работно състояние, а в мрежата да има напрежение;
  - таймерът да е поставен правилно;
  - вратичката да е затворена добре.

РАДИОСМУЩЕНИЯ

- Микровълни могат да предизвикват смущения при приемане на теле- или радиосигнали.
- За да минимизирате смущенията:
  - редовно почиствайте вратичките и металните уплътнители;
  - слагайте телевизора или радиото колкото може по-далече от микровълновата печка;
  - нагласете антената за да постигнете най-добри резултати на излъчването;
  - включвайте радиото и микровълновата печка в различни контакти.

## УСТАНОВКА

- Проверете, вътре в печката да няма опаковъчни материали или странични предмети.
- Проверете, не са ли повредени при транспортиране:
  - вратичката и металните уплътнители;
  - корпусът и прозорчето;
  - вътрешна повърхност на камерата.
- При наличие на някакви дефекти не включвайте печката, обърнете се към продавача или в сервизен център.

- Поставете микровълновата печка върху равна хоризонтална повърхност, тя да бъде доста стабилна, за да издържи теглото на печката заедно с продукти и съдове.
- Не слагайте печката близо до източници на топлина.
- Нищо не слагайте върху печката. Не затваряйте вентилационните отвори.
- За нормална работа на печката трябва да осигурите свободно пространство за вентилация: не по-малко от 20 см отгоре, 10 см откъм задната панела и не по-малко от 5 см от двете страни.

## ГОТВЕНЕ В МИКРОВОЛНОВАТА ПЕЧКА

- Слагайте продуктите само на един слой, по-дебели парчета да бъдат поместени към края.
- Следете времето на приготвяне, първо сложете минимално време, а после го увеличавайте, ако е необходимо. При много дълго готвене продуктите могат да изгорят.

**ЗАБЕЛЕЖКА:** Времето за приготвяне може да се променя също в зависимост от форма, размери и положение на продуктите. Големи или дебели парчета се готвят по-дълго време, а дребни – по-бързо.

- Похлупвайте продуктите със специални капаци или пластик, като отгъвате единия им ъгъл за излизане на излишна пара. Капаците много силно се нагряват – внимавайте при ваденето им!
- За по-равномерно затопляне и по-бързо приготвяне обръщайте и разбърквайте продуктите.
- Кръгли/овални чинии, за разлика от квадратни/правоъгълни също осигуряват по-равномерно затопляне.
- Размразявайте продуктите без опаковка в плитка чиния или върху специална решетка за микровълнова печка, задължително с въртящата се стъклена чиния. Когато замразявате продуктите, придавайте им, по възможност, компактна форма.
- Разстоянието между продуктите, например, зеленчуци, кексове и т.п. трябва да бъде не по-малко от 2,5 см, за да има равномерно обработване.
- Прободете дебела кожа или обелка на продукта, той да не се напука.
- Затопляйте само готови или охладени продукти, като ги разбърквате.
- Пуканки – стриктно спазвайте инструкции на производителя и не оставяйте микровълновата печка без надзор. Ако продуктът още не е готов в нужното време, прекъснете приготвянето. Прекалено дълго обработване може да доведе до изгаряния.

**ВНИМАНИЕ:** Не ползвайте пликчетата от кафява хартия за приготвяне на пуканки и не обработвайте остатъци от царевича. Не слагайте опаковката с пуканки непосредствено върху стъклената чиния, а върху допълнителна.

## РАБОТА

- Включете печката към електрическата мрежа.
  - Сложете продуктите вътре в печката и затворете вратичката.
- ЗАБЕЛЕЖКА:** При отворена вратичка печката няма да работи.
- Като се ръководите от таблицата, с помощта на превключвателя установете режим за обработване.

Мощност	Работен режим	Ниво на мощността
Ниска	Затопляне.	17%
Размразяване	Размразявайте продуктите без опаковка в плитка табла, задължително с въртящата се стъклена чиния. Като размразявате продуктите, по възможност, им придайте компактна форма.	37%
По-ниска от средната	Месо и птица	40%
Средна	Омлети, тестени изделия, кремове	66%
По-висока от средната	Сандвичи, пица	85%
Висока	Тестени изделия, месо и риба, печени картофи и други зеленчуци, пуканки	100%

- Настройте таймера на нужното време.
- ТАЙМЕР**
- Служи за настройката на време за обработване в рамките на 30 минути.
  - За да изключите печката, завъртете дръжката на таймера по посока на часовниковата стрелка.
  - Установете нужното време, като обръщате дръжката по посока на часовниковата стрелка.

- От момента на настройване на таймера печката се включва и започва да работи вътрешното осветление и вентилацията.
- Ако трябва да прекъснете приготвянето, настройте таймера в положение «0» или отворете вратичката.

**ВНИМАНИЕ:** Винаги връщайте таймера в положение «0», ако извадите продукти преди изтичане на времето за приготвяне, и после ще продължавате да готвите.

**ВНИМАНИЕ:** Ако за обработването трябва по-малко от 2 минути, първо завъртете таймера след означението, равно на 3 минути, а после го върнете в необходимото положение.

- След приключване на установеното време печката ще се изключи автоматически и ще звучи звуковият сигнал.

#### ПРЕКЪСВАНЕ НА ПРИГОТВЯНЕТО

- Дадената функция е полезна за проверка на готовността на продукта.
- Обработването може да се прекъсне, като отворите вратичката. Когато ще я затворите, процесът ще продължи.
- За отваряне на вратичката, дръпнете дръжката.

#### ПОЧИСТВАНЕ И ПОДДРЪЖКА

- Печката трябва да бъде почиствана редовно, а също така да се отстраняват всякакви остатъци от храна по нея.
- Преди почистване изключете печката и извадете щепсела от контакта.
- Изчакайте печката да изстине напълно.
- Забършете панелата на управление, външните и вътрешните повърхности, стъклената чиния с влажен парцал и препарат.
- Не ползвайте агресивни вещества или драскащи материали.
- Ако искате да отстраните неприятна миризма, сипете в някакъв дълбок съд, подходящ за микровълновите пещи, чаша вода със сок на един лимон и го сложете вътре в печката. Поставете таймера на 5 минути, а превключвателя на режими за работа в максимално положение. Когато ще прозвучи звуковия сигнал и печката ще се изключи, извадете съда и забършете вътрешните повърхности на камерата със сух парцал.

#### СЪХРАНЯВАНЕ

- Проверете печката да е изключена от контакта и да е изстинала напълно.
- Изпълнявайте всички изисквания от раздела "ПОЧИСТВАНЕ И ПОДДРЪЖКА".
- Съхранявайте печката с леко отворена вратичка на сухо и чисто място.

## УА ИНСТРУКЦИЯ З ЕКСПЛУАТАЦИЈА

- Шановний покупец! Ми вдячни Вам за придобаня продукция торговельной марки SCARLETT та довіру до нашої компанії. SCARLETT гарантує високу якість та надійну роботу своєї продукції за умови дотримання технічних вимог, вказаних в посібнику з експлуатації.
- Термін служби виробу торгової марки SCARLETT у разі експлуатації продукції в межах побутових потреб та дотримання правил користування, наведених в посібнику з експлуатації, складає 2 (два) роки з дня передачі виробу користувачеві. Виробник звертає увагу користувачів, що у разі дотримання цих умов, термін служби виробу може значно перевищити вказаний виробником строк.

#### ЗАХОДИ БЕЗПЕКИ

- **ВАЖЛИВІ ІНСТРУКЦІЇ З БЕЗПЕКИ. ПРОЧИТАЙТЕ УВАЖНО ТА ЗБЕРЕЖІТЬ ЗАДЛЯ МАЙБУТНІХ ДОВІДОК.** Невірно використання приладу може привести до його поломки та завдати шкоду користувачеві.
- Перед першим вмиканням перевірте, чи відповідають технічні характеристики виробу, що зазначені на наклейці, параметрам електромережі.

**УВАГА!** Вилка шнура живлення має провід та контакт заземлення. Підключайте прилад тільки до відповідних заземлених розеток.

- Використовувати тільки у побуті відповідно до даної Інструкції з експлуатації. Прилад не призначений для виробничого використання.
- Використовувати тільки у приміщеннях.
- Завжди відключайте пристрій з електромережі перед очищенням, або якщо Ви його не використовуєте.
- Прилад не призначений для використання особами (включаючи дітей) зі зниженими фізичними, чуттєвими або розумовими здібностями або у разі відсутності у них опиту або знань, якщо вони не знаходяться під контролем або не проінструктовані про використання приладу особою, що відповідає за їх безпеку.
- Не намагайтеся самостійно ремонтувати прилад. При виникненні неполадок звертайтеся до найближчого Сервісного центру.
- Діти повинні знаходитись під контролем, задля недопущення ігор з приладом.

**УВАГА!** Використання печі без нагляду дозволяється дітям тільки тоді, якщо їм були надані відповідні й зрозумілі інструкції про

безпечне користування піччю та про ту небезпеку, яка може виникнути у разі невідповідного використання печі.

- Не залишайте увімкнений прилад без догляду.
- Не використовуйте приладдя, що не входить до комплексу поставки.
- У разі пошкодження кабелю живлення, його заміну, з метою запобігання небезпеці, повинен виконувати виробник або уповноважений їм сервісний центр, або аналогічний кваліфікований персонал.

**УВАГА!** У разі ушкодження дверцят або ущільнювача дверцят працювати з піччю заборонено доти, поки кваліфікований спеціаліст не усуне несправність.

**УВАГА!** В цілях запобігання небезпеці підвищеного витоку мікрохвильового випромінювання усі ремонтні роботи, пов'язані зі зняттям будь-яких кришок, повинні виконуватись тільки спеціалістами.

- Стежте, щоби шнур живлення не торкався гострих крайок та гарячих поверхонь.
- Не тягніть за шнур живлення, не перекручуйте та не обмотуйте його навколо пристрою.
- Використовуйте мікрохвильову піч тільки для готування їжі. Ні в якому разі не сушіть в ній одяг чи папір, або інші предмети.

**УВАГА!** Рідину або інші продукти не можна розігрівати у закритих ємностях, щоб запобігти вибуху цих ємностей.

- При нагріванні напоїв за допомогою мікрохвиль може мати місце наступне інтенсивне кипіння, тому необхідно приділяти увагу та обережність при роботі з ємностями.
- Щоби продукти не лопалися під час готування, перед закладкою до печі протикайте ножем, або вилкою їх шкірку, чи оболонку, наприклад, картоплі, яблук, каштанів, ковбаси та ін.
- У разі нагрівання у печі продуктів харчування у посуді з легкозаймистих матеріалів, таких як пластик або папір, необхідно слідкувати за піччю, щоб не допустити займання.
- Щоб уникнути займання у духовій шафі печі необхідно:
  - уникати пригоряння продуктів у результаті занадто тривалого готування;
  - закладати продукти у мікрохвильову піч без упаковки, у т.ч. без фольги;
  - у випадку займання в камері, не відкриваючи дверцят, вимкніть піч та відключіть її з електромережі.
- Не вмикайте печі з порожньою камерою. Не використовуйте камеру для збереження будь-чого.
- Мікрохвильова піч не призначена для консервування продуктів.
- Не викладайте продукти безпосередньо на дно камери, використовуйте скляний посуд.
- Завжди перевіряйте температуру готової їжі, особливо, якщо вона призначена для дітей. Не подавайте блюдо до столу відразу ж після приготування, дайте йому трохи охолонути.
- Керуйтеся рецептами приготування, але пам'ятайте, що деякі продукти (джеми, пудинги, начинки для пирога з мигдалю, цукру чи цукатів) нагріваються дуже швидко.
- Щоб уникнути короткого замикання та пошкодження печі, не допускайте потраплення води у вентиляційні отвори.

#### УВАГА:

- Продукти варто готувати у спеціальному посуді, а не викладати безпосередньо на скляне блюдо, за винятком випадків, особливо обговорених у рецепті приготування.
- Використовуйте тільки посуд, призначений для мікрохвильової печі.
- Придатним для готування у мікрохвильових пічах посудом слід користуватися у строгой відповідності з інструкціями виробника посуду.
- Пам'ятайте, що у мікрохвильовій печі вміст нагрівається набагато швидше, ніж посуд, тому будьте дуже уважні, коли виймаєте посуд з печі, обережно відкривайте кришку щоб не обваритися паром.
- Попередньо видаляйте з продуктів, або з їх упаковки металеві стрічки та фольгу.
- **У мікрохвильових печах не можна готувати яйця в шаркулі та розігрівати зварені вкруту яйця, так як вони можуть вибухнути навіть після закінчення мікрохвильового розігріву.**
- Неналежне утримання печі в чистоті може призвести до зносу поверхні, що може негативно позначитися на роботі приладу і створити потенційну небезпеку для користувача.
- Обладнання відповідає вимогам Технічного регламенту обмеження використання деяких небезпечних речовин в електричному та електронному обладнанні.

- Якщо виріб деякий час знаходився при температурі нижче 0°C, перед увімкненням його слід витримати у кімнаті не менше 2 годин.
- Виробник залишає за собою право без додаткового повідомлення вносити незначні зміни до конструкції виробу, що кардинально не впливають на його безпеку, працездатність та функціональність.

**ПОСУД ДЛЯ МІКРОХВИЛЬОВОЇ ПЕЧІ**

**УВАГА!** Керуйтеся маркуванням на посуді та вказівками виробника. **ПРИДАТНА**

- **Жаростійке скло** – найкращий матеріал посуду для готування у мікрохвильовій печі.
- **Термостійкий пластик** – у такому посуді не слід готувати їжу з високим вмістом жиру, або цукру. Не можна використовувати контейнери, що щільно закриваються.
- **Фаянс і порцеляна** – придатні для приготування у мікрохвильовій печі, за винятком посуду позолоченого, посрібленого, чи з декоративними металевими елементами.
- **Спеціальна упаковка** (паперова, пластикова, та ін.), призначена для мікрохвильових печей – строго дотримуйтеся вказівок виробника.

**НЕПРИДАТНА**

- **Плівка для збереження продуктів, а також термостійкі поліетиленові пакети** – непридатні для смаження м'яса та будь-яких інших продуктів.
- **Металевий посуд (алюмінієвий, з нержавіючої сталі та ін.) і продовольча фольга\*** – екранують мікрохвилі; при контакті зі стінками жарової шафи можуть викликати іскріння та коротке замикання у процесі готування.

\* Можна застосовувати для огортання одним шаром окремих частин продукту щоб уникнути перегріву та пригорання. Не допускайте контакту зі стінками, відстань до них повинна бути не меншою, ніж 2 см.

- **Плавкі пластики** – непридатні для готування у мікрохвильовій печі.
- **Лакований посуд** – під впливом мікрохвиль лак може розплавитися.
- **Звичайне скло (у т.ч. фігурне і товсте)** – під впливом високих температур може деформуватися.
- **Папір, соломка, дерево** – під впливом високої температури можуть зайнятися.
- **Меламіновий посуд** – може поглинати мікрохвильове випромінювання, що викликає його розтріскування, або термодеструкцію, а також істотно збільшує час приготування.
- При нагріванні в печі харчових продуктів у посуді з пластику або паперу необхідно стежити за пічкою, щоб не допустити загорання.

**ЯК ВИЗНАЧИТИ, ЧИ ПРИДАТНИЙ ПОСУД ДЛЯ МІКРОХВИЛЬОВОЇ ПЕЧІ?**

- Увімкніть піч, та установіть перемикач режимів роботи на максимальну потужність (максимальна температура), помістіть у піч на 1 хвилину посуд, що підлягає тестуванню, та поставте поруч склянку води (~ 250 мл).
- Посуд, придатний для готування їжі у мікрохвильовій печі залишиться приблизно тієї ж температури, що і перед установкою у піч, у той час, як вода у склянці нагріється.

**КОРИСНІ ПОРАДИ**

- Щоби продукти рівномірно прогрівалися перевертайте їх під час готування.
- Не використовуйте посуд з вузьким отвором, пляшки, тому що вони можуть вибухнути.
- Для виміру температури продуктів використовуйте тільки спеціальні термометри, призначені для мікрохвильових печей.

**ПЕРШ, НІЖ ЗВЕРНУТИСЯ ДО СЕРВІСУ**

- Якщо піч не вмикається, перевірте:
  - справність розетки та наявність напруги у електромережі;
  - правильність установки таймера;
  - чи щільно зачинені дверцята.

**РАДІОПЕРЕШКОДИ**

- Мікрохвилі можуть викликати перешкоди під час прийому теле-, чи радіосигналів.
- Щоб мінімізувати перешкоди:
  - регулярно очищайте дверцята та ущільнювачі;
  - розміщайте телевізор чи радіоприймач якнайдалі від мікрохвильової печі;
  - спрямуйте прийомну антену для досягнення найкращого результату;
  - підключіть мікрохвильову піч та приймач до різних ліній електромережі.

**УСТАНОВКА**

- Переконайтеся, що усередині печі немає матеріалів від упаковок та сторонніх предметів.
- Перевірте, чи не ушкодилися при транспортуванні:
  - дверцята та ущільнювачі;

- корпус та оглядове вікно;
- стінки камери.

- При виявленні будь-яких дефектів не вмикайте піч; зверніться до продавця, або у сервісний центр.
- Установіть мікрохвильову піч на рівну горизонтальну поверхню, досить міцну, щоб витримати вагу печі з продуктами і посудом.
- Не розміщуйте піч поблизу теплових джерел.
- Нічого не кладіть на піч. Не перекривайте вентиляційні отвори.
- Для нормальної роботи печі необхідно забезпечити простір для вільної вентиляції: не менш: 20 см зверху, 10 см від задньої панелі та й не менш ніж 5 см з бокових сторін.

**СПОСОБИ ГОТУВАННЯ У МІКРОХВИЛЬОВІЙ ПЕЧІ**

- Розміщуйте продукти тільки одним шаром, товстіші шматки кладіть ближче до країв.
- Стежте за часом готування, задавайте його по мінімуму, поступово збільшуючи при необхідності. При занадто тривалому готуванні продукти можуть задиміти та й зайнятися.

**ПРИМІТКА:** Час готування також може змінюватися в залежності від форми, розмірів та розміщення продуктів. Великі або товсті шматки готуються довше, а дрібні – швидше.

- Накривайте продукти спеціальними кришками або пластиком, відгинаючи один з кутів для випуску надлишкової пари. Кришки дуже сильно нагріваються – поведіться з ними обережно!
- Для більш рівномірного прогріву та прискорення готування перевертайте та перемішуйте продукти.
- Круглі/овальні блюда, на відміну від квадратних/прямокутних, також забезпечують більш рівномірний прогрів.
- Розморозуйте продукти без обгортки у неглибокому піддоні або на решітці для мікрохвильової обробки, обов'язково використовуючи скляне обертове блюдо. Заморожуючи продукти, додавайте їм по можливості компактну форму.
- Відстань між продуктами, наприклад, овочами, кексами і т.п. повинна бути не меншою за 2,5 см., щоб забезпечити рівномірну обробку.
- Протикайте щільну шкірку або оболонку, щоб уникнути розриву продукту.
- Розігривайте тільки готові та охолоджені продукти, перемішуючи їх.
- Попкорн – строго дотримуйтеся інструкції виробника та не залишайте мікрохвильову піч без нагляду. Якщо продукт у заданий час не готовий, перервіть готування. Занадто тривала обробка може привести до загорання.

**ЗАСТЕРЕЖЕННЯ:** Не використовуйте пакети з коричневого папера для готування попкорну та не намагайтеся використовувати залишки зерен. Не розміщуйте огортку з попкорном безпосередньо на скляному блюді, кладіть його на тарілку.

**РОБОТА**

- Підключіть піч до електромережі.
- Помістіть продукти у піч та закрийте дверцята.

**ПРИМІТКА:** При відкритих дверцятах піч працювати не буде

- Керуючись таблицею, перемикачем установіть режим обробки.

Power	Режим роботи	Рівень потужності
Low	ПІДІГРІВ	17%
Defrost	РОЗМОРОЖУВАННЯ. Розморозуйте продукти без обгортки в неглибокому піддоні чи на решітці для мікрохвильової обробки, обов'язково з обертючим скляним блюдом. Заморожуючи продукти, надавайте їм по можливості компактну форму.	37%
M-Low	М'ясо та птиця	40%
Med	Омлети, випічка, креми	66%
M.High	Бутерброди, піцца	85%
High	Випічка, м'ясо та риба, печена картопля та інші овочі, попкорн	100%

- Установіть таймер на необхідний час.
- ТАЙМЕР**
- Служить для установки часу обробки в межах 30 хвилин.
  - Щоб увімкнути піч, поверніть ручку таймера у напрямку годинникової стрілки.
  - Задайте потрібний час, повертаючи ручку далі.
  - З моменту установки таймеру піч вмикається і починає працювати внутрішнє освітлення та вентиляція.

- Якщо готування необхідно перервати, установіть таймер на "0" чи відкриті дверцята.

**УВАГА:** Завжди повертайте таймер до "0", якщо продукти були витягнуті до закінчення заданого часу, і Ви не будете продовжувати готування.

**УВАГА:** Якщо для обробки потрібно менш ніж 2 хвилини, спочатку поверніть таймер за відмітку, що відповідає 3 хвилинам, а потім верніть його до необхідної відмітки.

- Після закінчення встановленого часу, піч автоматично вимкнеться та пролунає звуковий сигнал.

#### ПРИЗУПИНЕННЯ ГОТУВАННЯ

- Дана функція корисна для перевірки ступеня готовності продукту.
- Обробку можна перервати, просто відкривши дверцята. Якщо її закрити, процес буде продовжений.

#### ОЧИЩЕННЯ ТА ДОГЛЯД

- Піч слід регулярно чистити й усувати з її поверхні будь-які залишки їжі.
- Перед очищенням вимкніть та відключіть піч з електромережі.
- Дайте печі цілком охолонути.
- Протріть панель керування, зовнішні та внутрішні поверхні, скляне блюдо вологою тканиною з м'яким засобом.
- Не застосовуйте агресивні речовини, або абразивні матеріали.
- Щоб видалити неприємний запах, налейте у який-небудь глибокий посуд, придатний для мікрохвильової печі, склянку води із соком одного лимона, та поставте у піч. Установіть таймер на 5 хвилин, а перемикач режимів роботи – на максимум. Коли пролунає звуковий сигнал і піч вимкнеться, витягніть посуд та протріть стінки камери сухою тканиною.

#### ЗБЕРЕЖЕННЯ

- Переконайтеся, що піч відключена з електромережі і цілком охолонула.
- Виконайте усі вимоги розділу "ОЧИЩЕННЯ ТА ДОГЛЯД".
- Зберігайте піч з напіввідчиненими дверцятами у сухому чистому місці.

### SCG УПУТСТВО ЗА РУКОВАЊЕ СИГУРНОСНЕ МЕРЕ

- ВАЖНА БЕЗБЕДНОСА УПУТСТВА; ПРОЧИТАЈТЕ ПАЖЉИВО И САЧУВАЈТЕ ЗА КАСНИЈУ УПОТРЕБУ.

- Неправилна употреба уређаја може да доведе до његовог кварења и да оштети здравље корисника.
- Пре прве употребе уверите се да техничка својства уређаја, назначена на налепници, одговарају параметрима електричне мере.

**ПАЖЉА!** Утикач прикључног кабла има земљоводни проводник и контакт за уземљење. Укључите уређај само у одговарајуће уземљено гнездо.

- Користите само у домаћинству у складу са овим упутством за руковање. Уређај није намењен за професионалну употребу.
- Не користите вани.
- Увек искључите уређај из електричне мере пре чишћења и ако га не користите.
- Пећницу не треба да користе особе (укључујући и децу) са умањеним физичким, чулним или менталним способностима или особе које немају одговарајуће знање и искуство ако нису под надзором лица задужених за њихову безбедност или ако им та лица нису дала упутства о употреби пећнице.
- Не покушавајте самостално поправити уређај. Ако се појаве проблеми, јавите се у најближи сервиски центар.
- Децу треба надзирати и не треба им дозволити да се играју с пећницом.
- Да би се избегле опасности у случају оштећења кабла, оштећени кабл треба да замени произвођач, овлашћени сервис или стручно лице.

**ПАЗИТЕ!** Деца могу да користе пећницу без надзора одраслих само ако су добили адекватна и разумљива упутства у вези са безбедним коришћењем пећнице и евентуалним опасностима које се могу појавити у току неправилног коришћења пећнице.

- Не остављајте укључени уређај без надзора.
- Не користите делове који не улазе у комплет уређаја.
- Не користите уређај са оштећеним прикључним каблом.

**ПАЗИТЕ!** У случају оштећења врата или заптивача врата пећница не може да се користи док квалификовано особље не уклони квар. **ПАЗИТЕ!** Како би се избегла опасност повећаног микроталасног зрачења, сви радови на поправљању, везани за скидање било којих поклопаца, морају да се обављају искључиво стручњацима.

- Пазите да прикључни кабл не додирује оштре ивице и вруће површине.
- Не вуците прикључни кабл, не савијајте и не намотавајте га на тело уређаја.

- Користите микроталасну пећ само за кување намирница. Ни у ком случају не сушите у пећи одећу, папир и друге предмете.

**ПАЗИТЕ!** Текућине и други производи не смеју да се загревају у затвореној посуди како не би дошло до експлозије те посуде.

- Загревање пића уз помоћ микроталаса може да доведе до снажног кључања, зато је неопходно користити посуду пажљиво и опрезно.
- Да намирнице не пуцају за време припремања, пре него што их ставите у пећ, прободите ножем или виљушком тврду љуску или кожицу кромпира, јабука, кестенова, кобасице и сл.
- Током загревања у пећници намирница у посуђу од лакозапалјивих материјала, као што су пластика и папир, неопходно је пазити да не дође до пожара.
- Да се избегне загореване у рерни Ваше пеће неопходно је: – избегавати прегореване намирница у резултату сувише дугог кувања; – ставити намирнице у микроталасну пећ без паковања и без фолије; – у случају загореване у пећници, искључите је не отварајући врата и искључите из мере напајања.
- Не укључите празну пећ. Не користите пећницу за чување било чега.
- Микроталасна пећ није намењена за конзервацију продуката.
- Не ставите намирнице непосредно на дно пећнице него користите решетку на скидање или лadicу.
- Увек проверавајте колико је топло готово јело, посебно ако сте га припремили за децу. Сачекајте да се готово јело мало охлади, не износити га на сто одмах после кувања.
- Пратите рецепте али имајте у виду да се поједине намирнице јако брзо загреју (наприклад, цем, пудинг, филове за колаче од бадема, шећера или ушећереног воћа).
- Да се избегну кратак спој и оштећење пеће, не допустите да се у отворима за вентилацију налази вода.

#### НАПОМЕНА:

- Намирнице морају да се кувају у специјалном посуђу, не ставите намирнице непосредно на стаклени тањир, за изузетком посебних случајева који су описани у рецепту за спремање јела.
- Користите само посуђе погодно за микроталасну пећ.
- Посуђе које је погодно за микроталасну пећ треба да се користи искључиво у складу са упутствима произвођача.
- Имајте у виду да се у микроталасној пећи намирнице загреју много брже него посуђе, зато будите посебно пажљиви док вадите посуђе из пеће, опрезно отварајте поклопац да се не опечете паром.
- Уклоните са намирница или њиховог паковања металне траке и фолију.
- **У микроталасној пећници немојте да кувате јаја у љусци нити да подгревате тврдо кувана јаја јер могу пући чак и када се заврши процес загревања у пећници.**
- Неодговарајуће чишћење пећи може да доведе до оштећења површине, шта може неповољно утицати на рад уређаја и створити евентуалну опасност за корисника.
- Ако је производ неко време био изложен температурама нижим од 0°C, треба га ставити да стоји на собној температури најмање 2 сата пре укључивања.
- Произвођач задржава право, без претходног обавештења да изврше мање измене у дизајн производа, које битно не утиче на његову безбедност, производност и функционалност.

#### ПОСУЂЕ ПОГОДНО ЗА МИКРОТАЛАСНУ ПЕЋ

**НАПОМЕНА!** Пратите маркирање на посуђу и упутства произвођача.

#### ПОГОДНА ЗА МИКРОТАЛАСНЕ ПЕЋЕ

- **Отпорна на топлоту стакло** – је најбољи материјал за посуђе за микроталасну пећ.
- **Отпоран на топлоту пластик** – у овом посуђу не треба да се кувају намирнице засићене машћу или шећером. Не допушта се искориштавање чврсто затворених контејнера.
- **Фајанс и порцелан** – погодне су за микроталасне пеће, за изузетком позлаћене, посребрене посуде и посуде са металним украсним елементима.
- **Специјално паковање** (папирно, пластично и сл.), намењено за микроталасне пеће – доследно пратите упутства произвођача.

#### ПОСУЂЕ НЕПОГОДНО ЗА МИКРОТАЛАСНУ ПЕЋ

- **Кожа за чување намирница и отпорне на топлоту кесе од полиетилена** – нису погодни за пржење меса и било којих других намирница.

- **Метално посуђе (од алуминијума, од нерђајућег челика и сл.) и фолија за продукте** \* – одбијају микроталасе, додир фолије и зидова пеће може да изазове варнице и кратак спој у процесу кувања.
- \* Може да се користи за увијање појединих делова продуката у један слој ради избегавања прегревања и прегоривања. Избегавајте контакт са зидовима, одстојање од зидова треба да буде најмање 2 см.

- **Топљиви пластик** – није погодан за кување у микроталасној пећи.
- **Лакирано посуђе** – лак се може растопити под утицајем микроталаса.
- **Обично стакло (укључујући уметничко и дебело)** – може да се деформише под утицајем високе температуре.
- **Папир, слама, дрво** – могу да се загоре под утицајем високе температуре.
- **Посуђе од меламина** – може да апсорбује микроталасно зрачење што изазива пукотине или деформисање и значајно повећава време кувања.

**КАКО СЕ ОПРЕДЕЉУЈЕ ДА ЛИ ПОСУЂЕ ПОГОДНО ЗА МИКРОТАЛАСНЕ ПЕЋЕ?**

- Укључите пећ и ставите прекидач радних режима на максимални ниво капацитета (максимална температура), ставите у пећ на 1 минут посуђе које желите да тестирате и ставите чашу воде поред ње (~ 250 мл).
- Посуђе које јегодно за искориштавање у микроталасној пећи неће да се загреје, док ће се вода загрејати.

**КОРИСНИ САВЕТИ**

- За равномерно загревање намирница преокрећете их за време припремања.
- Не користите посуђе са уским грлом, боце, јер могу да експлодирају.
- Не користите термометар за одређивање температуре намирница. Користите само специјалне термометре који су намењени за микроталасне пеће.

**ПРЕ НЕГО ШТО СЕ ОБРАТИТЕ СЕРВИСУ**

- Ако се пећ не укључује, уверите се:
  - да су гнезда исправна и да у електричној мрежи има напон;
  - да је тајмер правилно подешен;
  - да су врата добро затворена.

**РАДИО-ПОРЕМЕЋАЈИ**

- Микро-таласи могу да изазову поремећаје пријема радио- и теле-сигнала.
- Да се поремећаји смање:
  - редовно чистите врата и металне заптиваче;
  - ставите телевизор и радио што даље од микроталасне пеће;
  - усмерите антену ради постизања најбољег резултата.
  - прикључите микроталасну пећ и радио различитим електричним линијама.

**НАМЕСТАЊЕ**

- Уверите се да унутра пеће нема паковања и туђих предмета.
- Уверите се да током транспорта нису оштећени:
  - врата и метални заптивачи;
  - кутија и прозор на вратима;
  - зидове рерне.
- У случају било којег оштећења не укључите пећ него се обратите продавачу или сервису.
- Наместите микроталасну пећ на равну хоризонталну површину, доста чврсту да издржи тежину пеће са намирницама и посуђем.
- Не ставите пећ у близини извора топлоте.
- Ништа не ставите на пећ. Не покривајте ничим отворе за вентилацију.
- Ради нормалног рада пеће неопходно је обезбедити доста простора за вентилацију, најмање 20 см одозго, 10 см с задње стране и најмање 5 см са сваке бочне стране.

**НАЧИНИ КУВАЊА У МИКРОТАЛАСНОЈ ПЕЋИ**

- Ставите производе само у један слој, дебеле комаде ставите код бочних страна.
- Пратите време кувања, изаберајте најмање могуће време, полако га повећавајући ако је неопходно. Предуга обрада може да узрокује загревање намирница.

**НАПОМЕНА:** Време припремања такође може да се мења у зависности од облика, величине и распоређености производа. Велики или дебели комади кувају се спорије, а мали – брже.

- Покријте производе специјалним поклопцима или пластиком, заврните један од углова ради изласка сувишне паре. Поклопци се јако загревају – будите опрезни с њима!
- За равномерније загревање и убрзање кувања преокрећете и мешајте намирнице.
- Округли/овални тањире, за разлику од квадратних/правоугаоних, обезбеђују равномерније загревање.
- Отапајте производе без паковања на плитком подметачу или на решетки за микроталасну обраду, обавезно користите

ротациони стаклени тањир. Приликом замрзавања производа, обликујте их, ако је могуће, компактно.

- Размак између производа, на пример, поврћа, кексова исл., мора бити најмање 2,5 см због равномерне обраде.
  - Прободите тврду кожу или љуску како бисте избегли пуцање производа.
  - Загревајте само готове и охлађене производе, мешајући их.
  - Кокице – строго следите упутства произвођача и не остављајте микроталасну пећ без контроле. Ако јело није готово у задато време, прекините кување. Сувише дуготрајна обрада може да доведе до запаљења.
- НАПОМЕНА:** Не користите кесе од смеђег папира за припремање кокица и не пробајте да искористите остатке зрна. Не стављајте паковање са кокицама непосредно на стаклени тањир, поставите га на обични тањир.

**РАД**

- Прикључите пећницу на напајање.
  - Намирнице ставите у пећницу и затворите врата.
- НАПОМЕНА:** Пећница престаје да ради када се њена врата отворе.
- На основу табеле ставите прекидач за напајање на жељену функцију.

Снага	Начин припреме	Учинак
Ниска	ЗАГРЕВАЊЕ	17%
Одмрзавање	Ради постизања најбољих резултата скините сву амбалажу, ставите намирнице у плитку посуду или на решетку микроталасне пећнице. Све време морате користити ротациону стаклену плочу. Пре смрзавања покушајте компактно да поређате намирнице.	37%
Средња-ниска	МЕСО И ЖИВИНСКО МЕСО	40%
Средња	Ову функцију можете користити за припрему омлета, колача и кремova.	66%
Средња-висока	Ова функција је погодна за припрему сендвича, пица, хот-догова.	85%
Висока	Ову функцију користите за печење, припрему меса, рибе, прженог кромпира и поврћа.	100%

- Помоћу тајмера можете да подесите жељено време припреме.

**ТАЈМЕР**

- Тајмер служи за подешавање времена припреме од највише 30 мин.
- Да бисте укључили рерну, тајмер окрените у смеру казаљке на сату.
- Подесите време тако што ћете прекидач даље окретати у смеру казаљке на сату.
- Пећница, унутрашње осветљење и вентилатор за хлађење ће се укључити током одбројавања времена.
- Кад год пожелите да прекинете рад пећнице, тајмер можете да окренете супротно од кретања казаљке у положај „0“ или можете да отворите врата.

**ПАЖЊА:** Тајмер обавезно ставите у положај нула ако су намирнице извађене из пећнице пре завршетка подешавања времена припреме или када се пећница не користи.

**ПАЖЊА:** Ако је време које треба да подесите краће од 2 минута, тајмер прво ставите у положај 3 минута, а затим га вратите на жељено време.

- По завршетку припреме, пећница ће се аутоматски искључити и огласиће се звучни сигнал.

**ПРЕКИД ПРИПРЕМЕ**

- Ова функција је корисна када желите да проверите докле се стигло с припремом хране.
- Припрема ће бити прекинута када се врата отворе. Припрема ће се наставити када се врата затворе.
- Врата отворите повлачењем ручке.

**ЧИШЋЕЊЕ И ОДРЖАВАЊЕ**

- Пећ мора да се редовно чисти. Сви остаци хране морају да се склоне са површине пећнице.
- Пре чишћења укључите и искључите пећ из електричне мреже.
- Сачекајте да се пећ потпуно охлади.
- Обришите контролну таблу, спољне и унутрашње површине, стаклени тањир влажном крпом са детергентом.
- Не користите агресивне или абразивне материјале.

- Како бисте уклонили непријатан мирис, насипајте у било коју дубоку посуду, погодну за микроталасну пећ, чашу воде са соком једног лимуна и ставите у пећ. Подесите тајмер за 5 минута, прекидач радних режима ставите у максимални положај. Када се зачује звучни сигнал и пећ се искључи, извадите посуду и обришите зидове сувом тканином.

#### ЧУВАЊЕ

- Уверите се да је пећ искључена из електричне мреже и потпуно се охладила.
- Испуните све захтеве поглавља "ЧИШЋЕЊЕ И ОДРЖАВАЊЕ".
- Чувајте пећ са мало отвореним вратима на сувом чистом месту.

## EST KASUTUSJUHEND

### OHUTUSNÕUANDED

- ТÄHTSAD OHUTUSJUHENDID. LUGEGE NEED TÄHELEPANELIKULT LÄBI JA SÄILITAGE TULEVASEKS KASUTAMISEKS.
  - Väär kasutus võib põhjustada seadme riket ja seadme kasutaja tervist kahjustada.
  - Enne seadme esimest vooluvõrku lülitamist kontrollige, et seadme etiketil osutatud andmed vastaksid kohaliku vooluvõrgu andmetele.
- TÄHELEPANU!** Toitejuhtme pistikul on olemas maandusjuhe ja – kontakt. Ühendage seade ainult vastava maandusega pistikuga.
- Antud seade on mõeldud ainult koduseks, mitte tööstuslikuks kasutamiseks.
  - Ärge kasutage seadet väljas.
  - Eemaldage seade vooluvõrgust enne selle puhastamist ning ajaks, mil seda ei kasutata.
  - Seade ei ole ette nähtud kasutamiseks alanenud füüsiliste, tunnetuslike ja vaimsete võimetega isikutele (kaasa arvatud lastele) või neile, kellel puuduvad selleks kogemused või teadmised, kui nad ei ole järelevalve all või kui neid ei ole instrueerinud seadme kasutamise suhtes nende ohutuse eest vastutav isik.
  - Ärge üritage iseseisvalt parandada seadet. Pöörduge lähimasse hoolduskeskusesse.
  - Lapsed peavad olema järelevalve all, et nad ei pääseks seadmega mängima.
  - Toitejuhtme vigastamise korral tohib selle ohu vältimiseks vahetada tootja, selleks volitatud hoolduskeskus või muu kvalifitseeritud personal.
- TÄHELEPANU!** Laste poolt mikrolaineahju kasutamine täiskasvanute järelevalveta on lubatud ainult sel juhul, kui on antud vastavad ja lastele arusaadavad juhendid ohutust ahju kasutamisest ning nendest ohutust, mis võivad tekkida selle valel kasutamisel.
- Ärge jätke töötavat seadet järelevalveta.
  - Ärge kasutage tarvikuid, mis ei kuulu komplekti.
  - Ärge kasutage seadet vigastatud toitejuhtmega.
- TÄHELEPANU!** Ukse ja uksetihendite rikke korral ei tohi kasutada ahju seni, kuni kvalifitseeritud spetsialist eemaldab vea.
- TÄHELEPANU!** Mikrolaineahju suurema väljavoolu vältimiseks peavad kõik remonditööd, mis on seotud mistahes ukse eemaldamisega, olema teostatud ainult spetsialistide poolt.
- Jälgige seda, et juhe ei puutuks vastu teravaid servi ja kuumi pindu.
  - Ärge tõmmake toitejuhtmest, keerake seda krussi, ega ümber korpuse.
  - Kasutage mikrolaineahju ainult toidu valmistamiseks. Ärge kuivatage selles riideid, pabereid või muid esemeid.
- TÄHELEPANU!** Vedelikke ja teisi toiduaineid ei tohi soojendada kinnistes anumates nende anumate lõhkemise vältimiseks.
- Jookide soojendamine mikrolainete abil võib tekitada ägedat keemist, sellepärast on vaja olla tähelepanelik ja ettevaatlik anumate kasutamisel.
  - Et toiduained ei läheks valmistamise ajal lõhki, enne mikrolaineahjusse panemist, tehke kartulite, õunte, kastanite kõvas kooses jms auke noaga või kahvliga.
  - Toiduainete soojendamisel anumatest, mis on kergesti süttivatest materjalidest, nt. plastmass või paber, on vajalik jälgida ahju, et vältida süttimist.
  - Mikrolaineahju süttimise vältimiseks on vajalik:
    - vältida toidu kinnikõrbemist pikaajalise valmistamise tulemusena;
    - panna toiduained mikrolaineahju sisse ilma pakendita, sh ilma fooliumpakendita;
    - süttimise korral, ärge avage ust, lülitage ahi välja ja eemaldage see vooluvõrgust.
  - Ärge lülitage tühja kambriga ahju sisse. Ärge kasutage kambrit millegi hoidmiseks.
  - Mikrolaineahi ei ole ette nähtud toiduainete konserveerimiseks.
  - Ärge asetage toiduaineid otse kambriga põhjale, kasutage resti või alust.
  - Alati kontrollige valmistoidu temperatuuri, eriti, kui see on ette nähtud lastele. Ärge andke rooga lauale kohe pärast valmistaamist, laske sellel enne serveerimist natuke jahtuda.

- Pidage retseptidest kinni, kuid hoidke meeles, et mõned toiduained (moosid, pudingud, mandli-, suhkru, sukaaditüübid) lähevad kuumaks väga kiiresti.
- Lühiühenduse ja ahju riknemise vältimiseks ärge laske veel sattuda ventilatsioonivahendisse.

#### TÄHELEPANU:

- Toiduvalmistamiseks kasutage spetsiaalseid nõusid, ärge asetage toitu vahetult klaasalusele, v.a juhtumitel, kui see on retseptis soovitatud.
- Kasutage ainult nõusid, mis on ette nähtud mikrolaineahju kasutamiseks.
- Mikrolaineahju kasutamiseks sobivaid nõusid kasutage vastavalt tootja instruksioonidele.
- Pidage meeles, et toit kuumeneb mikrolaineahju kiiremini kui nõud, seepärast olge ettevaatlik ahjust nõude väljatõstmise ajal, olge ettevaatlik kaane avamisel, väljuv aur võib tuua kaasa põletusi.
- Eemaldage eelnevalt toiduainetelt või nende pakenditelt metallribad ja foolium.
- **Mikrolaineahjudes ei tohi küpsetada koorega mune ega soojendada keedetud mune, sest need võivad plahvatada isegi pärast mikrolainekeemutuse lõppemist.**
- Ahi tohib puhtada regulaarselt
- Kui toode on olnud mõnda aega õhutemperatuuril alla 0 °C, tuleb hoida seda enne sisselülitamist vähemalt 2 tundi toatemperatuuril.
- Tootja jätab endale õiguse teha ilma täiendava teatamiseta toote konstruktsiooni ebaolulisi muudatusi, mis ei mõjuta selle ohutust, tööviimet ega funktsioneerimist.

#### KÜPSETUSNÕUD

**TÄHELEPANU!** Vaadake märgistust toidunõude peal ja järgige tootja instruksioone.

#### KÕLBLIK

- **Kuumakindel klaas** – sobivaim nõude materjal.
- **Soojakindel plastmass** – ärge kasutage rasva- ja suhkrurikka toidu valmistamiseks. Ärge sulgege tihedalt kaant.
- **Fajans ja portselan** – sobivad mikrolaineahju kasutamiseks, v.a kullatud, hõbetatud või dekoratiivsete metallelementidega.
- **Spetsiaalne pakend** (paber, plastmass jt.), mis on mõeldud mikrolaineahju kasutamiseks – järgige rangelt tootja instruksioone.

#### KÕLBMATU

- **Kile toiduainete säilitamiseks, samuti ka soojakindlad kilekotid** – ei kõlba liha ja teiste toiduainete küpsetamiseks.
- **Metallnõud (alumiinium, mitteroostetav teras jt.) ning foolium\*** – ekraneerivad mikrolaineid; kambriseintega kokkupuutumisel võivad tekitada sädemeid ja lühiühendust toiduvalmistamise ajal.

\* Eri toidutükke, mis võivad üle küpseda või kõrbedada, võib ühe fooliumikihiga katta. Ärge laske seintega kokkupuutumist, minimaalne vahe 2 cm.

- **Sulav plastmass** – ei sobi mikrolaineahju kasutamiseks.
- **Lakitud nõud** – mikrolainete mõju all lakk võib lahti sulada.
- **Tavaline klaas (sh ka vigurlik ja paks)** – kõrge temperatuuri mõju all võib deformeerida.
- **Paberist ja puust nõud, vitspunutised** – kõrge temperatuuri mõju all võib süttida.
- **Melamiin nõud** – võib mikrolaineahjust neelata, mis viib nõu lõhenemisele või termodestruktsioonile ja pikendab valmistamisaega.

#### KUIDAS TEADA SAADA, KAS NÕUD SOBIB MIKROLAINEAHJUS KASUTAMISEKS?

- Lülitage mikrolaineahi sisse ja keerake töötamise režiimide ümberlüüti täisvõimsusele (maksimaalne temperatuur), asetage nõud koos veega täidetud klaasiga (~ 250 ml) ahju 1 minutiks.
- Mikrolaineahju kasutamiseks sobiv nõud säilitab oma temperatuuri samal ajal, kui vesi kuumeneb.

#### KASULIKUD NÕUANDED

- Toiduainete ühtlaseks küpsemiseks keerake need valmistamise ajal ümber.
- Ärge kasutage kitsa kaelaga nõusid, pudeleid, sest nad võivad lõhki minna.
- Ärge kasutage kraadiklaasi toiduainete temperatuuri mõõtmiseks. Kasutage ainult mikrolaineahju kasutamiseks mõeldud termomeetreid.

#### ENNE TEENINDUSKESKUSE POOLE PÖÖRDUMIST

- Kui ahi ei lülitu sisse, kontrollige:
  - pistiku korrasolekut ja pinget olemasolu võrgus;
  - taimeri paigalduse õigsust;
  - kas uks on tihedalt suletud.

#### RAADIOHÄIRED

- Mikrolained võivad tekitada raadio- ja telesignaali häireid.
- Häirete minimeerimiseks:

- puhastage regulaarselt ukсед ja metalltihendid;
- paigutage televiisor ja raadio mikrolaineahjust võimalikult kaugemale;
- orienteerige vastuvõtuantenn parima tulemuse saavutamiseks;
- ühendage mikrolaineahi ja raadio erinevasse vooluvõrku.

#### PAIGALDUS

- Veenduge, et pakendi osad ei jäänud ahju sisse.
- Kontrollige, et ahju osad ei ole teisaldamisel vigastatud:
  - uks ja tihendid;
  - korpus ja vaateaken;
  - kambri seinad.
- Kahtluste korral võtke ühendust müüjaga või pöörduge teeninduskeskuse poole.
- Asetage mikrolaineahi tasasele horisontaalsele pinnale, mis peaks toiduainete ja nõudega ahju kaalule vastu.
- Ärge paigutage ahju kuumaallikate lähedusse.
- Ärge midagi pange ahju peale, ärge katke ventilatsiooniavasid.
- Ahju tõhusaks töötamiseks tuleb ventileerimiseks tagada vaba ruumi vähemalt: 20 cm ülevalt, 10 cm tagant ja 5 cm külgedest.

#### TOIDUVALMISTAMINE MIKROLAINEAHJUS

- Asetage toiduained ühe kihiga, paksemad osad pange aluse serva poole.
- Jälgige valmistamisaega, paigaldage see minimaalseks, vajaduse korral järk-järgult pikendage aega. Väga pikka valmistamise korral võivad toiduained hakata suitsu ajama ning süttida.

**MÄRKUS:** Valmistamisaega võib muutuda ka sõltuvalt toiduainete vormist, suuruselt ja paigaldamisest. Suurte ja pakside tükide valmistamisaeg on pikem.

- Katke toiduained spetsiaalsete kaante või kilega, keerates selle äär üles liigse auru väljalaskmiseks. Olge ettevaatlik – kaaned lähevad väga kuumaks!
- Ühtlaseks küpsetamiseks ja valmistamise kiirendamiseks keerake toiduained ümber ning segage need.
- Ümar/ovaalne vaagen tagab ühtlasema küpsetamise kui ruudukujuline/ristkülikuline vaagen.
- Sulatage pakendita toiduained üles mitte sügavas anumasse või restil koos pöörleva klaasalusega. Külmutades toiduained andke neile kompaktselt vormi.
- Ühtlase töötlemise tagamiseks peab vahemaa toiduainete, nt köögiviljade, kekside vahel olema vähemalt 2.5 cm.
- Tehke kõvas kooses või kattes auke, et toiduained ei läheks lõhki.
- Soojendage ainult jahutatud valmisroa, segades läbi.
- Popkorn – järgige rangelt tootja instruksioone ning ärge jätke mikrolaineahju järelevalveta. Kui toit ei ole määratud ajaks valmis, katkestage valmistamist. Liigne pikaajaline töötlemine võib viia süttimiseni.

**ETTEVAATUS:** Ärge kasutage popkorni valmistamiseks pruune paberkoote ning ärge kasutage terade jääke. Ärge asetage pakendis popkorn vahetult klaasalusele, pange see taldrikule.

#### TÖÖ

- Lülitage ahi vooluvõrku.
  - Asetage toiduained ahju ning sulgege uks.
- MÄRKUS:** Avatud uksega ahi ei tööta.
- Juhindudes tabelist, seadistage lüliti abil töörežiim.

Võimsus	Töörežiim	Võimsuse tase
Madal	Soojendamise.	17%
Sulatamine	Sulatage tooteid ilma pakendita madalal alusel, kindlasti pöörleva klaasalusel. Toiduaineid külmutades andke neile võimalusel kompaktna kuju.	37%
Keskmisest madalam	Liha ja linnuliha	40%
Keskmine	Omletid, küpsetised, kreemid	66%
Keskmisest kõrgem	Võileivad, pizza	85%
Kõrge	Küpsetised, liha ja kala, küpsetatud kartul ja muud köögiviljad, popkorn	100%

- Seadistage taimer vajalikule ajale.

#### TAIMER

- On vajalik töötlemise aja seadistamiseks 30 minuti piires.
- Ahju sisselülitamiseks keerake taimeri nuppu kellaosuti suunas.
- Seadistage soovitatav aeg, keerates nuppu kellaosuti suunas.
- Taimeri seadistamise hetkel lülitub ahi sisse, tööle hakkab sisemine valgustus ja ventilatsioon.
- Juhul, kui toiduvalmistamine tuleb katkestada, seadistage taimer asendisse "0" ning avage uks.

**TÄHELEPANU:** Keerake taimer alati asendisse „0“, kui toiduained võeti ahjust välja enne valmistamisaja lõppu ning Te ei jätka toiduvalmistamist.

**TÄHELEPANU:** Juhul, kui töötlemiseks on vaja alla 2 minuti, keerake taimer alguses 3 minuti tähise taha, seejärel viige see tagasi vajalikku asendisse.

Seadistatud aja möödumisel lülitub ahi automaatselt välja ja kõlab helisignaali.

#### TOIDUVALMISTAMISE PEATAMINE

- Antud funktsioon on kasulik toiduaine valmidusastme kontrollimiseks.
- Töötlemise saab peatada lihtsalt ukse avamisega. Ukse sulgemisel jätkub protsess.
- Ukse avamiseks tõmmake käepidemest.

#### PUHASTAMINE JA HOOLDUS

- Ahi tohib puhtada regulaarselt ja eemaldada ahju pinnalt toidujätted.
- Enne puhastamist lülitage ahi välja ja eemaldage seade vooluvõrgust.
- Laske ahjul maha jahtuda.
- Pühkige juhtimispaneel, välised ja sisemised pinnad, klaasalus niiske riidega koos pesuvahendiga.
- Ärge kasutage abrasiivseid vahendeid ja materjale.
- Et saada lahti ebameeldivast lõhnast, valage anumasse, mis on kõlblik mikrolaineahjus kasutamiseks, klaas vett ühe sidruni mahlagaga, pange ahju. Keerake taimer 5 minutile, töötamise režiimide lüliti maksimaalsesse asendisse. Kui ahi lülitub helisignaali välja, siis tõstke anum välja ja pühkige kambriseinad kuiva riidega.

#### HOIDMINE

- Veenduge, et ahi on vooluvõrgust eemaldatud ja täielikult maha jahtunud.
- Täitke PUHASTAMISE JA HOOLDUSE nõudmised.
- Hoidke ahju praakil uksega kuivas puhtas kohas.

## LIETOŠANAS INSTRUKCIJA

### DROŠĪBAS NOTEIKUMI

- SVARĪGAS DROŠĪBAS INSTRUKCIJAS. IZLASIET UZMANĪGI UN SAGLABĀJIET TURPMĀKAI UZZIŅĀI.
- Nepareiza ierīces lietošana var radīt tās bojājumus un lietotāja veselības kaitējumus.
- Pirms pirmreizējās ieslēgšanas pārbaudiet, vai ierīces tehniskie raksturojumi, kas norādīti uz uzlīmes, atbilst elektroītīkla parametriem.
- **UZMANĪBU!** Barošanas vada kontaktakšai ir vads un zemējuma kontakts. Ierīci pieslēdziet tikai pie atbilstoši sazēmētām rozetēm.
- Izmantot tikai sadzīves vajadzībām, atbilstoši dotajai Lietošanas instrukcijai. Ierīce nav paredzēta rūpnieciskai izmantošanai.
- Neizmantojiet ārpus telpām.
- Vienmēr atvienojiet ierīci no elektroītīkla pirms tās tīrīšanas, vai arī tad, ja Jūs to neizmantojat.
- Ierīce nav paredzēta izmantošanai personām (ieskaitot bērnus) ar pazeminātām fiziskām, emocionālām vai intelektuālām spējām vai personām bez dzīves pieredzes vai zināšanām, ja viņas nekontrolē vai neinstruē ierīces lietošanā persona, kas atbild par viņu drošību.
- Necentieties patstāvīgi labot ierīci. Bojājumu rašanās gadījumā dodieties uz tuvāko Servisa centru.
- Bērni ir jākontrolē, lai nepieļautu spēlēšanos ar ierīci.
- Barošanas vada bojājuma gadījumā, drošības pēc, tā nomaīņa jāuztīra ražotājam vai tā pilnvarotam servisa centram, vai arī analogiskam kvalificētam personālam.
- **UZMANĪBU!** Bērni bez uzraudzības drīkst izmantot krāsni tikai gadījumā, ja viņiem ir dotas attiecīgas un saprotamas instrukcijas par drošu krāsni izmantošanu un par bīstamībām, kuras var rasties ar to nepareizi rīkojoties.
- Neatstājiet ieslēgtu ierīci bez uzraudzības.
- Neizmantojiet piederumus, kas neietilpst pamatnes komplektā.
- Neaizmantojiet ierīci ar bojātu barošanas vadu.
- **UZMANĪBU!** Gadījumā, ja tiek bojātas durtiņas vai durtiņu blīvējumi, ar krāsni strādāt nedrīkst, kamēr kvalificēts speciālists nenovērsīs bojājumu.
- **UZMANĪBU!** Lai novērstu mikroviļņu starojuma paaugstinātu noplūdi, visi remontdarbi, kas ir saistīti ar jebkuru vāku noņemšanu, ir jāveic tikai speciālistiem.
- Sekojiet līdzi, lai barošanas vads nepieskartos klāt asām malām un karstām virsmām.
- Nevelciet aiz barošanas vada, negrieziet un neaptiniet to ap ierīci.
- Mikroviļņu krāsni izmantojiet tikai produktu pagatavošanai. Nekādā gadījumā nežāvējiet tajā drēbes, papīru vai citus priekšmetus.
- **UZMANĪBU!** Šķidrums vai citus produktus nedrīkst uzsilīt slēgtos traukos, lai šie trauki neuzsprāgtu.



- Uzšildot dzērienus ar mikroviļņu palīdzību, var notikt turpmāka stipra vārīšanās, tāpēc jābūt uzmanīgam ar traukiem.
- Lai produkti gatavošanas laikā neplaisātu, pirms ievietošanas krāsnī iegrieziet ar nazi vai saduriet ar dakšu biezo mizu vai apvalku, piemēram, kartupeļiem, āboliem, kastaņiem, desai utml.
- Uzšildot krāsnī pārtikas produktus traukos no viegli uzliesmojošiem materiāliem, tādiem kā plastmasa vai papīrs, jāpieskata krāsns, lai nepieļautu aizdegšanos.
- Lai izvairītos no uzliesmošanas krāsns kamerā nepieciešams:
  - izvairīties no produktu piededzināšanas pārāk ilgā gatavošanas rezultātā;
  - ievietot produktus mikroviļņu krāsnī bez iepakojuma, t.sk. bez folijas;
  - uzliesmošanas gadījumā kamerā, neveriet vaļā durvis, izslēdziet krāsnī un atvienojiet to no elektrotīkla.
- Neieslēdziet krāsnī ar tukšu kameru. Neizmantojiet kameru kaut kā glabāšanai.
- Mikroviļņu krāsns nav paredzēt produktu konservēšanai.
- Nenovietojiet produktus tieši uz kameras pamatnes, izmantojiet noņemamo režģi vai paliktņi.
- Vienmēr pārbaudiet gatavā ēdiena temperatūru, īpaši, ja tas ir paredzēts bērniem. Nepasniežiet ēdienu uzreiz pēc tā pagatavošanas, ļaujiet tam nedaudz atdzist.
- Sekojiet līdzi gatavošanas receptēm, bet atcerieties, ka daži produkti (džemi, pudiņi, pīrāga pildījums no mandelēm, cukura vai sukādēm) uzkarst ļoti ātri.
- Lai izvairītos no īssavienojuma un krāsns bojājumiem, nepieļaujiet ūdens iekļūšanas ventilācijas atvēršanos.

#### UZMANĪBU:

- Produktus ieteicams gatavot speciālos traukos, nevis likt tieši uz stikla traukiem, izņemot gadījumus, kas speciāli atrunāti ēdiena pagatavošanas receptē.
- Izmantojiet tikai tos traukus, kas paredzēti mikroviļņu krāsnīm.
- Trauki, kas derīgi lietošanai mikroviļņu krāsnīs, jālieto atbilstoši trauku ražotāja instrukcijai.
- Atcerieties, ka mikroviļņu krāsnī saturs uzkarst daudz ātrāk par trauku, tāpēc esiet īpaši uzmanīgi izņemot trauku no krāsns, uzmanīgi atveriet vāciņu, lai izvairītos no tvaika radītiem apdegumiem.
- Iepriekš no produktiem vai to iepakojumiem noņemiet metāliskās lentas un foliju.
- **Mikroviļņu krāsnī nedrīkst gatavot veselās olas un uzšildīt cieti vārītas olas, jo tās var uzsprāgt arī pēc mikroviļņu sildīšanas beigām.**
- Krāsns tīrības nepienācīga uzturēšana var izraisīt virsmas nodilumu, kas var nelabvēlīgi ietekmēt ierīces darbību un radīt iespējamus draudus lietotāja veselībai.
- Ja izstrādājums kādu laiku ir atradies temperatūrā zem 0°C, pirms ieslēgšanas tas ir jāpatur istabas apstākļos ne mazāk kā 2 stundas.
- Ražotājs patur sev tiesības bez papildu brīdinājuma ieviest izstrādājuma konstrukcijā nelielas izmaiņas, kas būtiski neietekmē tā drošību, darbību un funkcionalitāti.

#### TRAUKU MIKROVIĻŅU KRĀSNĪM

**UZMANĪBU!** Vadieties pēc esošā marķējuma un ražotāja norādījumiem uz traukiem.

#### DERĪGI

- **Karstumizturīgs stikls** – vislabākais trauka materiāls gatavošanai mikroviļņu krāsnī.
- **Termoizturīga plastmasa** – šādā traukā nav ieteicams gatavot ēdienu ar augstu tauku vai cukura daudzumu. Nedrīkst izmantot blīvi aizveramus konteinerus.
- **Fajanss un porcelāns** – derīgs gatavošanai mikroviļņu krāsnī, izņemot traukus ar apzeltījumiem, apsūdrabojumiem un dekoratīviem metāliskiem elementiem.
- **Speciāls iepakojums** (papīra, plastmasas u.c.), paredzēts mikroviļņu krāsnīm – stingri sekojiet līdzi ražotāja norādījumiem.

#### NEDERĪGI

- **Plēve produktu glabāšanai, kā arī termoizturīgi polietilēna maisiņi** – nav derīgi gaļas un jebkuru citu produktu cepšanai.
- **Metāliski trauki (alumīnija, nerūsējošā tērauda u.c.) un pārtikas folija\*** – ekranē mikroviļņus; saskarsmē ar karstumskapja sienām var izraisīt dzirkstejošanu un īssavienojumu gatavošanas laikā.
- \* Var izmantot produkta atsevišķu daļu vienkāršīgai ietīšanai, lai izvairītos no pārkarsēšanas vai piedegšanas. Nepieļaujiet saskari ar sienām, attālums no tām nedrīkst būt mazāks par 2 cm.
- **Kūstoša plastmasa** – nav piemērota gatavošanai mikroviļņu krāsnī.
- **Lakoti trauki** – mikroviļņu iedarbības rezultātā laka var izkust.
- **Parastais stikls (t.sk. figūrstikls un bezkais)** – augstas temperatūras iedarbībā var deformēties.
- **Papīrs, salmi, koks** – augstas temperatūras iedarbībā var uzliesmot.

- **Melamīna trauki** – var absorbēt mikroviļņu starojumu, kas izsauc to plaisāšanu vai termodestrukciju un būtiski palielina gatavošanas laiku.

#### KĀ NOTEIKT VAI TRAUKS IR DERĪGS MIKROVIĻŅU KRĀSNĪM?

- Ieslēdziet krāsnī un uzstādiet darba režīmu slēdzi uz maksimālo jaudu (maksimālā temperatūra), ievietojiet krāsnī uz 1 minūti testējamo trauku un novietojiet blakus glāzi ar ūdeni (~ 250ml).
- Trauks, kas ir derīgs ēdiena pagatavošanai mikroviļņu krāsnī paliks tādā pašā temperatūrā, kā pirms ievietošanas krāsnī, tajā laikā, kad uzsilis ūdens.

#### DERĪGI PADOMI:

- Vienmērīgai produktu uzšildīšanai apmaisiet tos gatavošanas laikā.
- Neizmantojiet traukus ar šauru kakliņu, pudeles, tās var uzsprāgt.
- Neizmantojiet termometrus produktu temperatūras mērīšanai. Izmantojiet tikai speciālos termometrus, paredzētus mikroviļņu krāsnīm.

#### PIRMS DOTIES UZ SERVISU

- Ja krāsns neieslēdzas pārbaudiet:
  - vai rozete nav bojāta un strāvas esamību elektrotīklā;
  - taimera uzstādīšanas pareizību;
  - vai durvis ir cieši aiztaisītas.

#### RADIOTRAUCĒJUMI

- Mikroviļņi var izraisīt radio un televīzijas signāla traucējumus.
- Lai samazinātu traucējumus:
  - regulāri tīriet durvis un metāliskos blīvētājus;
  - televizoru un radio uzstādiet pēc iespējas tālāk no mikroviļņu krāsnis;
  - noregulējiet antenu, lai sasniegtu vislabāko rezultātu.
  - pieslēdziet mikroviļņi krāsnī un uztvērēju pie atsevišķām elektrotīkla līnijām.

#### UZSTĀDĪŠANA

- Pārlicinieties, ka mikroviļņu krāsnī nav iepakojamā materiāla un blakus priekšmetu.
- Pārbaudiet, vai transportēšanas laikā, nav bojāts:
  - durvis vai metāliskie blīvētāji;
  - korpuss un durvju lodziņš;
  - kameras sienas.
- Jebkuru defektu konstatēšanas gadījumā neieslēdziet krāsnī; dodieties pie pārdevēja uz servisa centru.
- Novietojiet mikroviļņu krāsnī uz līdzenas, horizontālas virsmas, pietiekami izturīgas, lai tā izturētu krāsns svaru ar traukiem un produktiem.
- Nenovietojiet krāsnī blakus siltuma avotiem.
- Neko nenovietojiet uz krāsns. Neaizsedziet ventilācijas atvēršanos.
- Normālai krāsns darbībai nepieciešams nodrošināt brīvu starpu ventilācijai: ne mazāku par 20 cm no augšas, 10 cm no aizmugurējā paneļa puses un ne mazāk par 5 cm no sāniem.

#### GATAVOŠANAS PAŅĒMIENI MIKROVIĻŅU KRĀSNĪ

- Produktus lieciet tikai vienā kārtā, īpaši biezus gabalus novietojiet tuvāk malām.
- Sekojiet līdzi gatavošanas laikam, uzstādiet minimālāko, nepieciešamības gadījumā pakāpeniski palielinot. Pārāk ilgā gatavošanas laikā produkti var sākt dūmot un aizdegties.
- **PIEZĪME:** Gatavošanas laiks var mainīties atkarībā no produktu formas, izmēriem un novietojamības. Lielī vai biezi gabali gatavošanas ilgāk, mazāki – ātrāk.
- Apsedziet produktus ar speciāliem vāciņiem vai plastiku, atliecot vienu no stūriem tvaika izvadei. Vāciņi stipri uzkarst – apejieties ar tiem ļoti uzmanīgi!
- Pēc iespējas vienmērīgākai uzšildīšanai un gatavošanas paātrināšanai apgrieziet un apmaisiet produktus.
- Apaļie/ovālie trauki, atšķirībā no kvadrātveida/taisnstūrveida, nodrošina vienmērīgāku uzšildīšanu.
- Produktus atkausējiet bez iepakojuma ne dziļā paliktņī vai uz režģa mikroviļņu apstrādei, obligāti izmantojiet rotējošu stikla bļodu. Produktus saldējot, piedodiet tiem pēc iespējas kompaktāku formu.
- Attālums starp produktiem, piemēram, dārzeni, ķeksiem utml. Jābūt ne mazāk par 2,5 cm, lai nodrošinātu vienmērīgu apstrādi.
- Caurduriet biezo mizu vai apvalku, lai izvairītos no produkta pārsprāgšanas.
- Sildiet tikai gatavus un atdzesētus produktus, apmaisiet tos.
- Popkorns – stingri ievērojiet ražotāja instrukciju un neatstājiet mikroviļņu krāsnī bez uzraudzības. Ja produkts nav gatavs pēc paredzētā laika, apturiet gatavošanu. Pārāk ilga apstrāde var izraisīt aizdegšanos.

**BRĪDINĀJUMS:** popkorna pagatavošanai neizmantojiet iepakojumu no brūna papīra un necentieties izmantot graudu

atlikumus. Nenovietojiet įpakojimą ar popkornų tiesiai už stiklo bloką, liečiant to už šilumą.

## EKSPLOATACIJA

- Pievienojiet krāsni pie elektrotīkla.
- Ievietojiet produktus krāsni un aizveriet durvis.

**PIEZĪME:** Krāsns nestrādās, ja tās durvis būs atvērtas.

- Vadoties pēc tabulas, ar slēdzi uzstādiat apstrādes režīmu.

Power	Darbības režīms	Jaudas līmenis
Low	UZSILDĪŠANA	17%
Defrost	ATKAUSĒŠANA. Produktus atkausējiet bez iepakojuma ne dziļā paliktņi vai uz režģa mikroviļņu apstrādei, obligāti ar rotējošu stikla bloku. Produktus saldējot, piedodiet tiem pēc iespējas kompaktāku formu.	37%
M-Low	Gaļa un putna gaļa	40%
Med	Omlete, sacepums, krēmi	66%
M.High	Sviestmaizes, pica	85%
High	Sacepums, gaļa un zivis, cepti kartupeļi un citi dārzeņi, popkorns	100%

- Uz taimera uzstādiat nepieciešamo laiku.

## TAIMERIS

- Iespējams uzstādīt apstrādes laiku **30** minūšu robežās.
- Lai krāsni ieslēgtu, pagrieziet taimera rokturi pulksteņrādītāja virzienā.
- Uzstādiat vēlamo laiku, griežot rokturi tālāk.
- No taimera uzstādīšanas brīža krāsns ieslēdzas un sāk strādāt iekšējais apgaismojums un ventilācija.
- Ja gatavošanu nepieciešams apturēt, uzstādiat taimeru pozīcijā «0» vai atļaušot durvis.

**UZMANĪBU:** Vienmēr atgrieziet taimeru pozīcijā «0», ja produkti tika izņemti līdz gatavošanas laika beigām, un Jūs vairs neturpināsiet to gatavošanu.

**UZMANĪBU:** Ja apstrādei nepieciešams mazāk kā 2 minūtes, sākumā pagrieziet taimeru aiz 3 minūšu atzīmes, pēc tam atgrieziet to nepieciešamajā pozīcijā.

- Pēc uzstādītā laika iztecēšanas krāsns automātiski atslēgsies un atskanēs skaņas signāls.

## GATAVOŠANAS APTURĒŠANA UZ LAIKU

- Dotā funkcija derīga produkta gatavības pakāpes pārbaudei.
- Apstrādi var pārtraukt, vienkārši atverot durvis. Ja to aizver, process turpināsies.

## TĪRĪŠANA UN APKOPE

- Krāsni regulāri jātīra un jāatbrīvo tās virsma no jebkurām ēdieniem atliekām.
- Pirms tīrīšanas izslēdziet un atvienojiet krāsni no elektrotīkla.
- Ļaujiet krāsni pilnībā atdzist.
- Noslaukiet vadības paneli, ārējās un iekšējās virsmas, stikla trauku ar mitru drānu un mazgājamo līdzekli.
- Nepielietojiet agresīvas vielas vai abrazīvus materiālus.
- Lai novērstu nepatīkamās smakas, ielejiet dziļā traukā, kas ir derīga mikroviļņu krāsni, viena citrona sulas glāzi, un ievietojiet krāsni. Uzstādiat taimeru uz 5 minūtēm, darba režīmu slēdzi maksimālajā stāvoklī. Kad atskanēs skaņas signāls un krāsns atslēgsies, izņemiet trauku un kameras sienas noslaukiet ar sausu drānu.

## GLABĀŠANA

- Pārliecinieties, ka krāsns ir atvienots no elektrotīkla un pilnībā atdzisis.
- Izpildiet visus sadaļas „TĪRĪŠANA UN APKOPE” norādījumus.
- Glabājiet krāsni ar nedaudz atvērtām durvīm, sausā, tīrā vietā.

## LI VARTOTOJO INSTRUKCIJA

### SAUGUMO PRIEMONĒS

- SVARBIOS SAUGUMO INSTRUKCIJOS. ATIDŽIAI PERSKAITYKITE IR IŠSAUGOKITE JAS ATEIČIAI.
- Neteisingai naudodamiesi gaminium, Jūs galite jį sugadinti bei patirti nuostolių.
- Prieš pirmąjį naudojimą patikrinkite, ar ant lipduko nurodytos techninės gaminio charakteristikos atitinka elektros tinklo parametrus.
- **DĒMESIO!** Laido šakutė turi žeminimo laidą ir kontaktą. Įjunkite prietaisą tik į atitinkančius žemintus lizdus.
- Prietaisą naudokite tik buitiniams tikslams vadovaudamiesi šios Vartotojo instrukcijos nurodymais. Prietaisas nėra skirtas pramoniniam naudojimui.
- Naudoti tik patalpose.
- Prieš valydami prietaisą bei jo nesinaudodami, visada išjunkite jį iš elektros tinklo.
- Prietaisas nėra skirtas naudoti žmonėms (įskaitant vaikus), turintiems sumažėjusias fizines, jausmines ar protines galias; arba jie neturi patirties ar žinių, kai asmuo, atsakingas už tokių žmonių

saugumą, nekontroliuoja ar neinstruktuoja jų, kaip naudotis šiuo prietaisu.

- Nenaudokite prietaiso, jei jo elektros laidas ir/arba šakutė buvo pažeisti. Remontuoti prietaisą galima tik autorizuotame Serviso centre.
- Vaikus būtina kontroliuoti, kad jie nezaistų šiuo prietaisu.
- Jei pažeistas maitinimo laidas, norėdami išvengti pavojaus, jį turi pakeisti gamintojas arba atestuotas techninės priežiūros centras, ar kvalifikuotas specialistas.
- **DĒMESIO!** Vaikams be suaugusiųjų priežiūros leidžiama naudotis krosnele tik tais atvejais, kai jiems buvo tiksliai ir suprantamai paaiškinta, kaip saugiai naudotis krosnele ir kokie gali būti neteisingo naudojimosi pavojai.
- Nepalikite įjungto prietaiso be priežiūros.
- Nenaudokite neįrengtųjų į pristatymo komplektą reikmenų.
- Nenaudokite prietaiso, jei jo elektros laidas buvo pažeistas.
- **DĒMESIO!** Jeigu krosnelės durelės arba durelių sandarinimo elementai buvo pažeisti, negalima naudotis krosnele kol kvalifikuotas specialistas nepašalins gedimo.
- **DĒMESIO!** Norėdami išvengti mikrobangų spinduliavimo pavojaus, visus remonto darbus, susijusius su bet kokio dangčio nuėmimu, turi atlikti tik specialistai.
- Pasirūpinkite, kad elektros laidas neliestų aštrių kampų ir karštų paviršių.
- Netempkite už elektros laido, nesukite jo ir nevyniokite aplink prietaisą.
- Naudokite mikrobangų krosnelę tik maisto ruošimui. Draudžiama džiovinoti juose drabužius, popierių, arba kitus daiktus.
- **DĒMESIO!** Norėdami išvengti maisto ruošimo talpų sprogdimo, nešildykite skysčius arba kitus produktus sandariai uždarytose induose.
- Šildydami mikrobangomis gėrimus, turėkite omenyje, kad jie gali stipriai užvirti, todėl maisto ruošimo talpomis naudokitės atsargiai.
- Produktai su vientisą odelę (pvz.: bulvės, obuoliai, kaštonai, dešra it t.t.) gali sprogti jų ruošimo metu, todėl prieš dėdami juos į krosnelę subadykite kietą žievelę arba odelę peiliu arba šakute.
- Šildydami krosnelėje maisto produktus induose iš degių medžiagų (pvz., plastiko arba popieriaus), stebėkite krosnelę, kad neleisti indams užsidegti.
- Norėdami išvengti gaisro, laikykitės šių saugumo priemonių:
  - stebėkite, kad produktai neprisiviltų – tai gali atsitikti per ilgai juos ruošiant;
  - produktus į mikrobangų krosnelę dėkite tik be pakuotės, ypač be folijos;
  - pasirodžius dūmams, neatidarydami durelių išjunkite krosnelę ir ištraukite jos kištuką iš elektros lizdo.
- Neįjunkite krosnelės su tuščia kamera. Nenaudokite kameros pašalinamiems daiktams laikyti.
- Mikrobangų krosnelė nėra skirta maisto produktams konservuoti.
- Nedėkite produktų tiesiog ant kameros dugno, naudokite nuimamas groteles arba padėklą.
- Visada tikrinkite paruošto maisto temperatūrą, ypač jeigu jis skirtas vaikams. Nepateikite patiekalo iš karto, leiskite jam truputi atvėsti.
- Ruošdami maistą, vadovaukitės receptais, bet atsiminkite, kad kai kurie produktai (džemai, pudingai, pyragų prieskoniai iš migdolų, cukraus ar cukatų) įkaista labai greitai.
- Norėdami išvengti trumpojo jungimo ir krosnelės gedimo, neleiskite vandeniui pateikti į ventilacijos angas.

### DĒMESIO:

- Produktus reikia ruošti specialiuose induose, nedėkite maisto produktų tiesiai ant stiklinio padėklo, išskyrus specialiai nurodytus patiekalo ruošimo receptuose atvejus.
- Naudokite specialiai mikrobangų krosnelėms skirtus indus.
- Skirtais mikrobangų krosnelėms indais reikia naudotis tiksliai pagal jų gamintojo instrukcijas.
- Atsiminkite, kad mikrobangų krosnelėje indo turinys įkaista žymiai greičiau, negu pats indas, todėl būkite ypač atsargūs ištraukdami indą iš krosnelės ir atsargiai atidarykite dangtį, nes galite nusideginti garais.
- Iš anksto nuimkite nuo produktų arba jų pakuočių visas metalines juosteles ir foliją.
- **Mikrobangų krosnelėse negalima ruošti kiaušinio su lukštu ir šildyti kietai išvirto kiaušinio, nes jis gali sprogti, baigus jį šildyti mikrobangų krosnelėje.**
- Netinkamai valydami krosnelę galite sulaukti greito jos paviršiaus nusidėvėjimo, o tai gali nepalankiai įtakoti prietaiso veikimą ir sukelti galimą pavojų naudotojui.
- Jeigu gaminys kai kurį laiką buvo laikomas žemesnėje nei 0 °C temperatūroje, prieš įjungdami prietaisą palaikykite jį kambario temperatūroje ne mažiau kaip 2 valandas.

- Gamintojas pasilieka teisę be atskiro perspėjimo nežymiai keisti įrenginio konstrukciją išsaugant jo saugumą, funkcionalumą bei esmines savybes.

#### INDAI MIKROBANGŲ KROSNELEI

**DĖMESIO!** Vadovaukitės indų markiruotėmis bei gamintojo nurodymais.

##### TINKAMI

- **Karščiui atsparus stiklas** – geriausi indai mikrobangų krosnelei.
- **Temperatūrai atsparus plastikas** – tokiuose induose neverta ruošti maistą su didelių riebalų arba cukraus kiekių. Negalima naudoti sandariai užsidarančių konteinerių.
- **Fajansas ir porcelianas** – tinka mikrobangų krosnelei, išskyrus paaüksintus ir pasidabruotus indus bei indus su dekoratyviniais metaliniais elementais.
- **Speciali pakuotė** (popierinė, plastikinė ir kita), skirta mikrobangų krosnelėms – griežtai laikykitės gamintojo nurodymų.

##### NETINKAMI

- **Plėvelė maisto produktams saugoti bei temperatūrai atsparūs paketai** – netinka mėsos ir kitiems produktams ruošti.
- **Metaliniai indai (iš aliuminio, nerūdijančio plieno ir kt.) ir maisto folija\*** – ekranuoja mikrobangas, kurios kontaktuodamos su krosnelės kameros sienelėmis gali sukelti kibirkščiavimą ir trumpąjį jungimą.

\* Aliuminio foliją galite naudoti atskiroms produkto dalims apvynioti – tai neleis produktui perkaisti ar prisvilti. Naudodami foliją, neleiskite jai kontaktuoti su krosnelės sienelėmis, palikite tarp jų ne mažiau kaip 2 cm tarpo.

- **Lydūs plastikai** – netinka mikrobangų krosnelei.
- **Lakuoti indai** – nuo mikrobangų lakas gali deformuotis.
- **Paprastas stiklas (taip pat figūrinis ir storas)** – nuo aukštos temperatūros gali deformuotis.
- **Popierius, šiaudai, medis** – nuo aukštos temperatūros gali užsidegti.
- **Indai iš melamino** – sugeria mikrobangų spinduliuavimą, dėl ko gali sutrūkinėti arba deformuotis. Be to, šie indai žymiai padidina ruošimo laiką.

##### KAIP SUPRASTI AR INDAS TINKA MIKROBANGŲ KROSNELEI?

- Įjunkite krosnelę ir nustatykite veikimo režimų jungiklį į maksimalią padėtį (maksimali temperatūra), įdėkite testuojamąjį indą į krosnelę 1 minutei ir šalia pastatykite vandens stiklinę (~ 250 ml).
- Indas, tinkantis maistui ruošti mikrobangų krosnelėje liks tos pačios temperatūros kaip ir prieš padėdamas į krosnelę, o vanduo sušils.

##### NAUDINGI PATARIMAI

- Norėdami tolygiai pašildyti maistą, apverskite jį ruošimo metu.
- Nenaudokite indų siauru kakleliu, butelių, nes jie gali sprogti.
- Nenaudokite termometrų produktų temperatūrai matuoti. Naudokite tik specialius termometrus, skirtus mikrobangų krosnelėms.

##### PRIEŠ KREIPDAMIESI Į SERVISO CENTRĄ

- Jeigu krosnelė neįsijungia, patikrinkite:
  - elektros lizdo būklę ir ar yra įtampa elektros tinkle;
  - ar laikmatis buvo nustatytas teisingai;
  - ar durelės uždarytos sandariai.

##### RADIJO TRUKDŽIAI

- Mikrobangų krosnelei stovint šalia televizijos ir radijo imtuvų mikrobangos gali skeisti trukdžius.
- Norėdami sumažinti trukdžius:
  - reguliariai valykite dureles ir metalinius sandarinimo elementus;
  - televizorių ir radijo imtuvą pastatykite kuo toliau nuo mikrobangų krosnelės;
  - perorientuokite priėmimo anteną geriausiam rezultatui pasiekti;
  - įjunkite mikrobangų krosnelę ir radijo imtuvą į skirtingas elektros tinklo linijas.

##### MONTAVIMAS

- Įsitikinkite, kad krosnelės kameroje nėra pakavimo medžiagų ir pašalinių daiktų.
- Patikrinkite, ar transportavimo metu nebuvo pažeisti:
  - durelės ir metaliniai sandarinimo elementai;
  - korpusas ir stebėjimo langelis;
  - kameros sienelės.
- Aptikę bet kokius defektus, neįjungdami krosnelės kreipkitės į pardavėją arba į Serviso centrą.
- Pastatykite mikrobangų krosnelę ant lygaus horizontalaus paviršiaus, galinčio išlaikyti krosnelės svorį su indais ir produktais.
- Nestatykite krosnelės šalia šilumos šaltinių.
- Nieko nestatykite ant krosnelės. Neuždenkite ventilacijos angų.
- Krosnelė gali normaliai veikti tik turėdama vietos ventilacijai: ne mažiau kaip 20 cm iš viršaus, 10 cm iš užpakalinės sienelės pusės ir ne mažiau kaip 5 cm iš šonų.

##### MAISTO RUOŠIMO BŪDAI MIKROBANGŲ KROSNELEJE

- Produktus į indą sudėkite tik vienu sluoksniu, storesnius gabalus dėkite arčiau kraštų.

- Stebėkite ruošimo laiką, nustatykite minimalų laiką ir palaipsniui didinkite jį būtinybei esant. Per ilgai ruošiami, produktai gali apsmilti ir užsidegti.

**PASTABA:** Ruošimo laikas taip pat gali būti keičiamas priklausomai nuo produktų formos, dydžių ir išdėstymo. Dideli ir stori gabalai ruošiami ilgiau, o maži – greičiau.

- Uždenkite produktus specialiais arba plastikiniais dangčiais, ir atlenkite vieną iš dangčio kampų, leiddami išeiti garams. Būkite atsargūs – dangčiai stipriai įkaista!
- Norėdami tolygiai pašildyti ir pagreitinti maisto ruošimą kartais apverskite ir išmaišykite produktus.
- Naudokite apvalius indus, jie, skirtingai nuo stačiakampių indų, užtikrina tolygesnį pašildymą.
- Nuimkite produkto pakuotę ir atšildykite jį negilame padėkle arba ant mikrobangų krosnelei skirtų grotelių, pastatytų ant besisukančios stiklinės lėkštės. Šaldydami produktus, suteikite jiems kiek įmanoma kompaktiškesnę formą.
- Atstumas tarp atskirų produktų, pavyzdžiui, daržovių, keksų ir t.t. turi būti ne mažesnis už 2,5 cm – tai užtikrins tolygų maisto ruošimą.
- Subadykite vientisą odelę arba žievelę, kad verdami produktai nesprogtų.
- Šildykite tik paruoštus ir atšaldytus produktus, juos išmaišydami.
- Kukurūzų spragėsiai – griežtai laikykitės gamintojo instrukcijoms ir nepalikite mikrobangų krosnelės be priežiūros. Jeigu produktas nespėjo pasigaminti per nustatytą laiką, nutraukite jo ruošimą. Labai ilgas ruošimas gali sukelti gaisrą.

**ĮSPĖJIMAS:** Nenaudokite kukurūzų spragėsių ruošimui paketu iš rudo popieriaus ir nbandykite naudoti grūdų likučių. Nedėkite pakuotės su kukurūzų spragėsiais tiesiai ant stiklinio indo, dėkite jį į lėkštę.

##### VEIKIMAS

- Įjunkite krosnelę į elektros tinklą.
- Padėkite produktus į krosnelę ir uždarykite dureles.

**PASTABA:** Atidarius dureles krosnelė nustos veikti.

- Vadovaudamiesi lentele, perjungiklio pagalba nustatykite paruošimo režimą.

GALINGUMAS	Veikimo režimas	Galingumo lygis
Žemas	Pašildymas.	17%
Atšaldymas	Produktus galima atšaldyti tik nuėmus pakuotę ir padėjus produktą į negilą lėkštę, kurią būtina reikia pastatyti ant krosnelėje esančios besisukančios stiklinės lėkštės. Šaldydami produktus pasistenkite sudėti juos kuo kompaktiškiau.	37%
Žemiau nei vidutinis	Mėsa bei paukštiena	40%
Vidutinis	Omletai, kepiniai, kremai	66%
Aukščiau nei vidutinis	Sumuštiniai, pica	85%
Aukštas	Kėpiniai, mėsa ir žuvis, keptos bulvės ir kitos daržovės, kukurūzų spragėsiai	100%

- Nustatykite norimą laiką laikmačio pagalba.

##### LAIKMATIS

- Laikmačio pagalba galima nustatyti paruošimo laiką iki 30 minučių.
- Krosnelei įjungti pasukite laikmačio perjungiklį pagal laikrodžio rodyklę.
- Sukdami laikmačio perjungiklį pagal laikrodžio rodyklę, nustatykite norimą laiką.
- Jums nustačius laikmatį krosnelė įsijungs, pradės veikti vidinis apšvietimas bei ventilacija.
- Jeigu jums reikia sustabdyti paruošimą, nustatykite laikmatį į padėtį „0“ arba atidarykite dureles.

**DĖMESIO:** Sustabdžius paruošimą jo laikui nepasibaigus, visada atsukite laikmatį į padėtį „0“, jeigu jūs nenorite toliau tęsti gaminti maistą.

**DĖMESIO:** Jeigu paruošimui reikia mažiau kaip 2 minutes, iš pradžių pasukite laikmačio perjungiklį virš 3 minučių, o po to gražinkite jį į reikiamą padėtį.

- Nustatytam laikui pasibaigus krosnelė automatiškai išsijungs ir suskambės garso signalas.

##### VEIKIMO SUSTABDIMAS

- Šią funkciją galima naudoti produkto paruošimo lygiui patikrinti.
- Krosnelės veikimą galima sustabdyti, tiesiog atidarius dureles. Uždarius dureles paruošimo procesas bus atnaujintas.
- Norėdami atidaryti dureles, patraukite jų rankeną.

## VALYMAS IR PRIEŽIŪRA

- Reguliariai valykite krosnelę ir šalinkite nuo jos paviršiaus bet kokius maisto likučius.
- Prieš valydami krosnelę išjunkite ją ir ištraukite jos kištuką iš elektros lizdo.
- Leiskite krosnelei visiškai atvėsti.
- Nuvalykite valdymo skydelį, išorinius ir vidinius paviršius, stiklinį padėklą drėgnu audiniu su valymo priemone.
- Nenaudokite agresyvių bei šveitimo valymo priemonių.
- Norėdami atsikratyti nemalonus kvapo, išspauskite į stiklinę vandens sultį iš vienos citrinos, įpilkite šį paruoštą vandenį į kokį nors mikrobangų krosnelei tinkantį gilų indą, ir pastatykite jį į krosnelę. Nustatykite laikmatį 5 minutėms, o veikimo režimū jungiklį – į maksimalią padėtį. Kai išgirsite garso signalą ir krosnelė išsijungs, ištraukite indą ir išvalykite kameros sienelės sausu audiniu.

## SAUGOJIMAS

- Įsitikinkite, kad krosnelė yra išjungta iš elektros tinklo ir visiškai atvėso.
- Atlikite visus "VALYMAS IR PRIEŽIŪRA" skyriaus reikalavimus.
- Krosnelei neveikiant atidarykite jos dureles ir laikykite ją sausoje švarioje vietoje.

## KEZELĖSI ŪTMUTATŲ

### FONTOS BIZTONSĄGI INTĖZKEDĖSEK

- FONTOS BIZTONSĄGI ELŲIRÁSOK. OLVAŠSA EL FIGYELMEŠEN ĖŠ ŲRIZZE MEG JŲVŲBELI FELVILĄGOSĪTÁS ĖRDEKĖBEN.
  - A kėszulėk helytelen kezelėse meghibásodáshoz, és a használó egėszsėgkárosodásához vezethet.
  - A kėszulėk elsŲ használata elŲtt, ellenŲrizzze egyeznek-e a címknė megjelŲlt mőszaki adatok az elektromos hálózat adataival.
- FIGYELEM!** A csatlakozódugŲ vezetėkkel és földelėssel van ellátva. Csatlakoztassa a kėszulėket csakis megfelełő leföldelt konnektorhoz.
- A kėszulėk nem való nagyüzemi, csak házi használatra.
  - Szabadban használni tilos.
  - Használaton kívül, vagy tisztítás elŲtt mindig áramtalanítsa a kėszulėket.
  - Ne használják a kėszulėket fizikai-, érzelmi-, illetve szellemi fogyatékos személyek, vagy tapasztalattal, elegendŲ tudással nem rendelkező személyek (beleértve a gyerekeket) felügyelet nélkül, vagy ha nem kaptak a kėszulėk használatával kapcsolatos instrukciót a biztonságukért felelŲs személytől.
  - Ne próbálja egyedül javítani a kėszulėket, cserélni az alkatrészeket. Forduljon a közeli szervizbe.
  - A kėszulėkkel való játszás elkerülėse érdekében tartsa a gyermekeket felügyelet alatt.
  - A vezetėk meghibásodása esetén - veszély elkerülėse érdekében – annak cseréjét végeztesse a gyártóval vagy a gyártó által meghatalmazott szervizzel ill. szakemberrel.

**FIGYELEM!** Gyerekek felügyelet nélkül csak akkor használhatják a mikrohullámú sőtöt, amennyiben részükre érhető utasításokat kaptak a sőtöt biztonságos használatáról és elmagyarázták nekik, milyen veszély érhetik Ųket, amennyiben nem használják megfelełőképpen a mikrohullámú sőtöt.

- Soha ne hagyja felügyelet nélkül a bekapcsolt kėszulėket.
- Ne használjon kėszlethez nem tartozó tartozėket.
- Ne használja a kėszulėket sérült vezetėkkel.

**FIGYELEM!** A mikrohullámú sőtöt ajtájának, vagy ajtŲtŲmŲtŲjének károsodása esetén a sőtöt használni tilos, amíg szakképzett specialista meg nem javítja azt.

**FIGYELEM!** A mikrohullámú kisugárzás túlzott veszteségének elkerülėse érdekében minden, bármilyen fedél levételével kapcsolatos javítási munkát szakembernek szükséges végezni.

- Figyeljen, hogy a vezetėk ne érintkezzen éles, forró felülettel.
- Ne húzza, tekerje, csavarja a vezetėket a kėszulėk körė.
- Csak élelmiszerek elkészítéséhez használja a mikrohullámú sőtöt. Semmi esetre sem szárítson benne ruhát, papírt, vagy egyéb tárgyat.

**FIGYELEM!** Folyadékot, vagy egyéb ételt zárt edényben melegíteni tilos, az edény robbanásának elkerülėse érdekében.

- Italog melegítése mikrohullámok segítségével további erŲs forráshoz vezethet, ezért az edények kezelésekor különösen figyelni szükséges.
- Az élelmiszerek, pl. alma, burgonya, gesztenye, kolbász stb. elkészítése alatt képzŲdŲ meghasadás elkerülėse érdekében, berakás elŲtt szúrja meg azok héját villa, vagy kés segítségével.
- Amennyiben az élelmiszert gyúlékony anyagból (plasztik, vagy papír) készült edényben melegíti felügyelni szükséges a folyamatot annak érdekében, hogy megelŲzzük a sőtöt kigyúlását.
- A sőtöt belsejében keletkezett tőz elkerülėse érdekében, a következŲekre kell figyelni:

- kerülje el az élelmiszer leragadását, ami túl hosszán tartó elkészítés következtében merülhet fel;
- csomagolás, fólia nélkül rakja az élelmiszert a mikrohullámú sőtöbe;
- a sőtöt belsejében keletkezett tőz esetén, bezárva tartva a sőtöt ajtáját kapcsolja ki és áramtalanítsa a sőtöt.
- Ne kapcsolja be a sőtöt Ųresen. Ne használja a sőtöt tárolásra.
- A mikrohullámú sőtöt nem alkalmas élelmiszerek konzerválására.
- Ne rakja az élelmiszert közvetlenül a sőtöt aljára, használja a levehetŲ rácsot, vagy alátétet.
- Mindig ellenŲrizzze a kėszulėk hŲmėrsékletét különösen, ha gyerekek részére készült. Ne tálalja az ételt rŲgtŲn az elkészítése után, hagyja kissé kihűlni.
- KŲvesse a receptekben található utasításokat, de emlékezzen arra, hogy némely élelmiszerek (dzsem, puding, mandulás, cukros tŲtelėkek) nagyon gyorsan melegeznek.
- RŲvidzárlat és a sőtöt meghibásodása elkerülėse érdekében ne engedje, hogy víz kerűljŲn a szellŲzŲ nyílásokba.

### FIGYELEM:

- Az élelmiszereket speciális edényben szükséges készíteni, nem rakni azokat közvetlenül Ųveg edényre, kivėve, ha más van elŲírva az utasításban.
- Csakis mikrohullámú sőtöt használatára tervezett edényt használjon.
- **A mikrohullámú sőtöbe tojást készíteni hėjában és keményre fŲzŲtt tojást melegíteni tilos, mivel felrobbanhatnak még a mikrohullámú melegítés befejezése után is.**
- Emlékezzen arra, hogy a mikrohullámú sőtöben az élelmiszer sokkal gyorsabban melegszik, mint az edény, ezért legyen óvatos, amikor kivesszi az edényt, gŲz okozta égések elkerülėse érdekében, óvatosan nyissa fel a fedŲt.
- Az élelmiszerrŲl, vagy csomagolásáról elŲzŲleg távolítsa el a fėmpántokat és fŲliát.
- Amennyiben a sőtöt nem megfelełően van tisztítva, úgy felülete elhasználdik, ami negatívan hat a kėszulėk mŲködésére, és veszélyt jelenthet a felhasználó számára.
- Amennyiben a kėszulėket valamennyi ideig 0 °C–nál tárolták, bekapcsolása elŲtt legalább 2 órán belül tartsa szobahŲmėrsékleten.
- A gyártónak jogában áll értesítés nélkül másodrendű módosításokat végezni a kėszulėk szerkezetében, melyek alapvetŲen nem befolyásolják a kėszulėk biztonságát, mŲködŲképességet, funkcionalitását.

### MIKROHULLÁMÚ SŲTŲ RĖSZĖRE TERVEZETT EDĖNY

**FIGYELEM!** KŲvesse az edény címkején található utasításokat, és a gyártó utasításait.

#### ALKALMAS

- **HŲállŲ Ųveg** – legmegfelełőbb anyag a mikrohullámú sőtöt részére készült edény részére.
- **HŲállŲ plasztik** – ilyen edényben nem célszerŲ magas zsír-, és cukortartalmú ételt készíteni. Szorosan zárt kontėnerek használata tilos.
- **Porcelán és fajansz** – alkalmasak mikrohullámú sőtöben való készítésre, kivėve az aranyozott, ezüstözŲtt, vagy fėmdíszítéssel ellátott edényeket.
- **Speciális csomagolás** (papír, mŲanyag, stb.), mikrohullámú sőtŲk részére tervezett – szigorúan betartani a gyártó Ųtmutásait.

#### NEM ALKALMAS

- **Élelmiszer tartósításhoz használt fólia, valamint hŲállŲ zacskók** – nem alkalmasak hŲs, és egyéb élelmiszer sőtéséhez.
- **Fėmedény (alumínium, rozsdamentes acél, stb.) és élelmiszer fólia\*** – visszaverik a mikrohullámokat; a sőtŲ falával való kontaktus esetén szikrázást hívhat elŲ, és rŲvidzárlatához vezethet elkészítés közben.
- \* Túlmelegedés és leragadás elkerülėse érdekében fel lehet használni az élelmiszer egyes részei csomagolására. Ne engedje a fallal való kontaktust, hagyjon legalább 2 cm távolságot.
- **OlvadŲ plasztik** – nem alkalmas mikrohullámú sőtöben való használatra.
- **Lakkozott edény** – a mikrohullámok hatása alatt a lakk elolvadhat.
- **Szokásos Ųveg (beleértve a figurális és vastag Ųveget)** – magas hŲmėrséklet hatása alatt deformálódhat.
- **Papír, faforgács, fa** – magas hŲmėrséklet hatása alatt felgyűlhat.
- **Melamedény** – magába tudja szívni a mikrohullámú kisugárzást, ami hasadáshoz, vagy termodestrukcióhoz vezet, és jelentŲsen növeli az elkészítés idejét.

## HOGYAN LEHET KIDERÍTENI, MEGFELEL-E AZ EDÉNY MIKROHULLÁMÚ SÜTŐBEN VALÓ HASZNÁLATRA?

- Kapcsolja be a sütőt és állítsa a működési üzemmód kapcsolót maximális teljesítményre (maximális hőmérséklet), rakja be a sütőbe a tesztelt edényt 1 percre és tegyen mellé egy pohár vizet (~ 250 ml).
- Az alkalmas edény hőmérséklete ugyan olyan marad, mint amikor be lett rakva, miközben a víz megmelegszik.

### HASZNOS TANÁCSOK

- Az élelmiszerek egyenletes melegítése érdekében elkészítés közben forgassa azokat.
- Ne használjon keskeny szájú edényt, üveget, mivel felrobbanhat.
- Az élelmiszerek hőmérsékletének kiderítése érdekében ne használjon hőmérőt. Csak speciális, mikrohullámú sütő részére tervezett hőmérőt.

### MIELŐTT SZERVIZHEZ FORDULNA

- Amennyiben a sütő nem kapcsol be, ellenőrizze:
  - a konnektor működőképességét, és van-e áram a hálózathoz;
  - az időmérő beállításának helyességét;
  - szorosan van-e bezárva az ajtó.

### RÁDIÓZAVAROK

- A mikrohullámok zavarokat hívhatnak elő tele-, vagy rádiójelek fogása közben.
- A zavarok minimálisra való csökkentése érdekében:
  - rendszeresen tisztítsa az ajtót, és a fémtömítőket;
  - a televíziót és rádiót minél messzebbre helyezze el a mikrohullámú sütőtől;
  - a legjobb eredmény érdekében állítsa be a rádióantennát.
  - a mikrohullámú sütőt és rádiót különböző konnektorokhoz csatlákoztassa.

### BEÁLLÍTÁS

- Győződjön meg arról, hogy a sütő belsejében nincs csomagoló anyag és idegen tárgy.
- Ellenőrizze, szállítás közben, nem-e sérült meg:
  - az ajtó és a fémtömítő;
  - készülékház és az ablak;
  - a falak belső felülete.
- Bármilyen meghibásodás felmerülése esetében ne kapcsolja be a sütőt; forduljon az eladóhoz, vagy szakszervizhez.
- Állítsa a mikrohullámú sütőt egyenes, vízszintes, annyira stabil felületre, hogy kibírja a sütőt az élelmiszerekkel és edénnyel együtt.
- Ne állítsa a sütőt hóforrás közelében.
- Ne rakjon semmit a sütő tetejére. Ne takarja le a szellőző nyílásokat.
- A sütő normál működésének biztosítása érdekében, szellőzéshez elegendő teret kell biztosítani: nem kevesebbet: 20 cm-nél felülről, 10 cm-nél a hátsó panel felől, és 5 cm-nél mindkét oldal felől.

### MIKROHULLÁMÚ SÜTŐBEN VALÓ KÉSZÍTÉSI MÓD

- Csakis egy rétegben helyezze el az élelmiszert, a vastagabb kockákat rakja közelebb a szélékhez.
  - Figyeljen az elkészítési időre, állítsa minimálisra az időmérőt, és úgy fokozza szükség esetén. Túl hosszan tartó készítés következtében az élelmiszer füstölhet és felgyúlhat.
- MEGJEGYZÉS:** Az elkészítés ideje változhat a termék formája, mérete, és elhelyezése függvényében. Nagy, illetve vastag darabok tovább készülnek, az apróbbak ú hamarabb.
- Fedje le a terméket speciális fedővel, vagy plasztikkal, feltúrva egy sarkot a felesleges pára kieresztésére. A fedők erősen melegeknek – legyen óvatos!
  - Az egyenletesebb melegedés és gyorsabb elkészítés érdekében forgassa és kavargassa az élelmiszert.
  - A kocka/négyszögletes edényektől eltérően, a kör/ovális edények is biztosítják az egyenletesebb melegedést.
  - Az élelmiszert csomagolás nélkül fagyassza ki alacsony szélű alátétben, vagy mikrohullámú megművelésre szánt rácson, feltétlenül forgó üvegtálon. Lefagyasztáskor lehetőleg kompakt formát adjon az élelmiszereknek.
  - A termékek közötti távolságnak, például, a zöldségek, kekszek, stb. között legalább 2,5 cm kell lennie, annak érdekében, hogy biztosítva legyen az egyenletes megművelés.
  - A termék szétszakadásának elkerülése érdekében szűrje meg azok kemény héját.
  - Csakis a kész és lehűtött termékeket melegítse, kavargassa azokat.
  - Popcorn – tartsa be a gyártó utasításait, és ne hagyja a mikrohullámú sütőt felügyelet nélkül. Amennyiben a termék nem készült el a betáplált időn belül, szakítsa meg a készítést. Túl hosszan tartó készítés tűzhoz vezet.

**FIYELMEZTETÉS:** a popcorn elkészítéséhez ne használjon barna papíros csomagolást, és ne próbálja felhasználni a megmaradt szemeket. Ne helyezze a popcornot tartalmazó zacskót közvetlenül a forgó üvegtátra, rakja azt a tányérra.

### MŰKÖDÉS

- Csatlakoztassa a sütőt a villamos hálózathoz.
- Helyezze a termékeket a mikrohullámú sütőbe és zárja be az ajtót.

**MEGJEGYZÉS:** Nyitott ajtóval a sütő nem fog működni.

- Kapcsoló segítségével állítsa be az üzemmódot az alábbi Táblázatnak megfelelően.

Teljesítmény	Működési üzemmód	Teljesítményszint
Alacsony	Felmelegítés	17%
Kioldasztás	A termékeket csomagolás nélkül olvassza, nem mély alátétben, feltétlenül forgó üvegtálon. Lehetőség szerint, a lefagyasztott termék legyen kompakt alakú.	37%
Közepesen alacsony	Hús és baromfi	40%
Közepes	Omlett, sütemény, krém	66%
Közepesen magasabb	Szendvics, pizza	85%
Magas	Sütemény, hús és hal, sült burgonya és egyéb zöldség, popcorn	100%

- Állítsa be a timert megfelelő időre.

### TIMER

- A megművelési idő beállítására szolgál **30** perces határon belül.
- A sütő bekapcsolása érdekében, fordítsa el a timer fogantyúját az óramutató járásával egyező irányba.
- Adja meg a kívánt időt, elfordítva a fogantyút az óramutató járásával egyező irányba.
- A timer beállításától kezdve a sütő bekapcsol, és működni kezd a belső világítás és szellőztetés.
- Amennyiben meg kell szüntetni az elkészítési folyamatot, állítsa a timert "0" helyzetbe, vagy nyissa ki az ajtót.

**FIGYELEM:** Minden esetben állítsa vissza a timert "0" helyzetbe, ha a termékek az elkészítési időnél hamarabb lettek kivéve, és nem fogja folytatni az elkészítést.

**FIGYELEM:** Amennyiben az elkészítés 2 percnél kevesebb időt igényel, előbb fordítsa el a timert a 3-perces jelzésen túl, továbbá, állítsa vissza a szükséges helyzetbe.

- A megadott idő leteltével a sütő automatikusan kikapcsol és elhangzik egy hangjel.

### ELKÉSZÍTÉS MEGSZAKÍTÁSA

- Ez a funkció a termék elkészültség fokozatának ellenőrzésére hasznos.
- Az elkészítést meg lehet szakítani az ajtó kinyitásával. Ha bezárja az ajtót, a folyamat folytatódik.
- Húzza meg az ajtó fogantyúját, és az ajtó kinyílik.

### TISZTÍTÁS ÉS KARBANTARTÁS

- Rendszeresen tisztítsa a sütőt és távolítsa el felületéről az összes ételmaradékot.
- Tisztítás előtt kapcsolja ki és áramtalanítsa a sütőt.
- Hagyja teljesen kihűlni a sütőt.
- Törölje meg nedves, mosogatószerves törölkendővel a vezérlőpadot, a külső és belső felületeket.
- Ne használjon agresszív kémiai szert, illetve súrolószert.
- A kellemetlen szag eltávolítása érdekében, töltsön egy, a mikrohullámú sütőhöz alkalmas mély edénybe egy pohár citromos vizet, és tegye a sütőbe. Állítsa az időmérőt 5 percre, a működési üzemmód kapcsolót maximális helyzetbe. Amikor elhangzik a hangjel és a sütő kikapcsol, vegye ki az edényt és törölje meg a falakat száraz törölkendővel.

### TÁROLÁS

- Győződjön meg, hogy a sütő áramtalanítva van és teljesen kihűlt.
- Kövesse a „TISZTÍTÁS ÉS KARBANTARTÁS” rész lépéseit.
- Tárolja a sütőt kissé nyitott ajtóval száraz, tiszta helyen.

### ПАЙДАЛАНУ БАСШЫЛЫҒЫ

- Құрметті сатып алушы! SCARLETT сауда таңбасының өнімін сатып алғаныңыз үшін және біздің компанияға сенім артқаныңыз үшін Сізге алғыс айтамыз. Іске пайдалану нұсқаулығында суреттелген техникалық талаптар орындалған жағдайда, SCARLETT компаниясы өзінің өнімдерінің жоғары сапасы мен сенімді жұмысына кепілдік береді.
- SCARLETT сауда таңбасының бұйымын тұрмыстық мұқтаждар шеңберінде пайдаланған және іске пайдалану нұсқаулығында келтірілген пайдалану ережелерін ұстанған кезде, бұйымның қызмет мерзімі бұйым тұтынушыға табыс етілген күннен бастап 2 (екі) жылды құрайды. Аталған шарттар орындалған жағдайда, бұйымның қызмет мерзімі

өндiрушi көрсеткен мерзiмнен айтарлықтай асуы мүмкiн екенiне өндiрушi тұтынушылардың назарын аударады.

**ҚАУІПСІЗДІК ӨЛШЕМДЕРІ**

- **ҚАУІПСІЗДІК БОЙЫНША МАҢЫЗДЫ МӘЛІМЕТТЕР. МҰҚИЯТ ОҚЫП ШЫҒЫҢЫЗ ДА, БОЛАШАҚТА ҚАРАУ ҮШІН САҚТАП ҚОЙЫҢЫЗ.** Бұйымды дұрыс қолданбау оның бұзылуына әкелуі және сізге зиян келтіруі мүмкін.
- Алғашқы қосудың алдында бұйымның техникалық сипаттамасының жапсырмадағы, электр жүйесінде көрсетілген параметрлеріне сәйкестігін тексеріңіз.

**HAZAP!** Қоректену бауының шаңшқысының сымы және жерлендіру контактісі бар. Құралды тек қана лайықты – жерлендірілген розеткаларға іске қосыңыз.

- Осы Пайдалану нұсқауына сәйкес тек қана тұрмыстық мақсаттарда қолданылады. Құрал өнеркәсіптік қолдануға арналмаған.
- Жайдан тыс қолданылмайды.
- Жабдықты тазалаудың алдында немесе Сіз оны қолданбасаңыз электр жүйесінен әрқашан сөндіріп тастаңыз.
- Дене, жүйке не болмаса ақыл-ой кемістігі бар, немесе осы құрылғыны қауіпсіз пайдалану үшін тәжірибесі мен білімі жеткіліксіз адамдардың (соның ішінде балалардың) қауіпсіздігі үшін жауап беретін адам қадағаламаса немесе құрылғыны пайдалану бойынша нұсқау бермесе, олардың бұл құрылғыны қолдануына болмайды.
- Құрылғыны өз бетіңізше жөндеуге талпынбаңыз. Олқылықтар пайда болса жақын арадағы сервис орталығына апарыңыз.
- Балалар құрылғымен ойнамауы үшін оларды үнемі қадағалап отыру керек.

**ESKEPTY!** Дұрыс қолданбаған кезде пайда болуы мүмкін қауіптер және пешті қауіпсіз қолдану туралы тисті түрде нұсқаулық түсіндірілген жағдайда ғана балаларға пешті қадағалаусыз қолдануға рұқсат етіледі.

- Қараусыз қосылған құралды қалдырмаңыз.
- Бересі жинаққа енгізілмеген керек-жарақтарды қолданбаңыз.
- Қуат сымы бүлінген жағдайда, қатерден аулақ болу үшін оны ауыстыруды өндіруші немесе ол уәкілеттік берген сервис орталығы немесе соған ұқсас білікті қызметкерлер іске асыруға тиіс.

**ESKEPTY!** Есікшеде немесе есікше нығыздауышында ақау болған жағдайда, білікті маман ақауды жоюға дейін пешпен жұмыс жасауға болмайды.

**ESKEPTY!** Қысқа толқынды сәулелену өтімінің жоғарылау қауіпінен қашу үшін, кезкелген қақпағын түсірумен байланысты барлық жөндеу жұмыстары тек қана маманмен атқарылуға тиісті.

- Қоректену бауының өткір жиектер және ыстық үстілерге тимеуін қадағалаңыз.
- Қоректену бауынан тартпаңыз, оны ширатпаңыз және құрылғының тұлғасын айнала орамаңыз.
- Микротолқынды пешті тек қана азықтарды даярлауға қолданыңыз. Еш жағдайда оған киімді, қағазды немесе басқа заттарды кептірмеңіз.

**ESKEPTY!** Ыдыстардың жарылуын болдырмау үшін сұйық немесе басқада тамақтарды жабық ыдыстарда қыздыруға болмайды.

- Сусындарды қысқа толқындар көмегімен қыздырған жағдайда бүлкілдеп қайнауға ұласуы мүмкін, сондықтан, ыдыстарды қолданған кезде байқап және сақ болу керек.
- Өнімдерді даярлау кезінде жарылмауы үшін, пешке салар алдында тығыз қабығын не терісін пышақпен немесе шаңшқымен тесіңіз, мысалы, картоптың, алманың, каштанның, шұжықтың және т.б.
- Пластик немесе қағаз сияқты тез жанатын материалдардан жасалған ыдыста азықтық тамақтарды пеште қыздырған кезде, жануын болдыртпау үшін пешті бақылап отыру керек.
- Пештің үрленетін шкафы жанбауы үшін қажет:
  - өнімдердің өте ұзаққа созылған даярлық нәтижесінде күйуінен қашқақтау;
  - өнімдерді микротолқынды пешке орамасыз салып, сондай-ақ фольгасыз пісіру;
  - камера тұтанған кезде, есігін ашпай пешті өшіріңіз және оны электр жүйесінен сөндіріп тастаңыз.
- Пешті бос камерамен қоспаңыз. Камераны бірдеңе сақтауға қолданбаңыз.
- Микротолқынды пеш азықтарды консервілеуге арналмаған.
- Азықтарды тікелей камера түбіне қоймаңыз, шыны табақты пайдаланыңыз.
- Дайын азықтың температурасын әрқашан тексеріңіз, әсіресе, егер ол балалар үшін арналса. Даярлықтан кейін табақты лезде үстелге әкелмеңіз, оған аздап суынуға мұрша беріңіз.
- Даярлық рецептерін басшылыққа алыңыз, бірақ есте сақтаңыз, кейбір өнімдер (джемдер, пудингілер, ішіне бадам қант немесе цукаттар салынған пирог) өте жылдам қыздырылады.

- Қысқа тұйықталу және пештің бұзылмауы үшін, желдету тесіктеріне су тигізбеңіз.

**HAZAP:**

- Азықтарды тікелей шыны табаққа емес, арнайы ыдыста даярлау керек, тек арнайы рецеппен даярлайтын кезден ғана.
- Тек қана микротолқынды пештерге микротолқынды ыдысты қолданыңыз.
- Микротолқынды пеште даярлауға жарамды ыдысты оны әзірлеушінің нұсқауларымен қатал сәйкестікте пайдалану керек.
- Есте сақтаңыздар, микротолқынды пештегі ыдыстан бұрын ішіндегісі едәуір жылдам қыздырылады, сондықтан пештен ыдысты шығарар алдында бумен күйіп қалмау үшін ықыласты болыңыз, қақпақты сақ ашыңыз.
- Өнімдерден алдын ала олардың орама бауын немесе металл және фольганы алып тастыңыз.
- **Микротолқынды пештерде жұмыртқаны қабығымен дайындауға және қатты піскен жұмыртқаны жылытуға болмайды, себебі олар микротолқынды қыздыру аяқталғаннан кейін де жарылып кетуі мүмкін.**
- Пешті таза күйінде ұстамау бетінің тозуына алып келеді, бұл аспаптың жұмысына кері әсерін тигізуі және пайдаланушы үшін ықтимал қауіп тудыруы мүмкін.
- Егер бұйым біршама уақыт 0°C-тан төмен температурада тұрса, іске қосар алдында оны кем дегенде 2 сағат бөлме температурасында ұстау керек.
- Өндіруші бұйымның қауіпсіздігіне, жұмыс өнімділігі мен жұмыс мүмкіндіктеріне түбегейлі әсер етпейтін болмашы өзгерістерді оның құрылмасына қосымша ескертпестен енгізу құқығын өзінде қалдырады.

**МИКРОТОЛҚЫНДЫ ПЕШКЕ АРНАЛҒАН ЫДЫС**

**HAZAP!** Ыдыстағы таңбалармен және өндірушінің нұсқауларын басшылыққа алыңыз.

**ЖАРАМДЫ**

- **Қызғуға төзімді шыны** – микротолқынды пеште даярлауға арналған ыдыстың ең жақсы материалы.
- **Термоқұшті пластик** – сондай ыдыста майы немесе қанты көп азықты даярлауға болмайды. Тығыз жабылатын контейнерлерді қолдануға болмайды.
- **Фаянс және фарфор** – микротолқынды пеште дайырау үшін жарамды, тек алтынданған, күмістелінген немесе сәндік металл элементтері бар ыдыс болмайды.
- **Арнайы орама** (қағаз, пластикалық және т.б.), микротолқынды пешке арналған – әзірлеушінің нұсқауларын бұлжытпай ұстаныңыз.

**ЖАРАМСЫЗ**

- **Өнімдердің сақтауына арналған қабыршақ, сонымен қатар термоқұшті полиэтилендік пакеттер** – етті және басқа азықтарды қуыруға жарамсыз.
- **Металл ыдыс (алюминийлік, тоттанбайтын болаттан т.б.) және тамақтық фольга\*** – микротолқындарды экрандайды; даярлау барысында қабырғаларға тисе – қуыру шкафта шоқтау және қысқа тұйықталу жасайды.

**Қызып және күйіп кетпеу үшін\*** азықтың бөлек бөлімдерінің бір қабат қана орауға болады. Қабырғаларға тиуге жол бермеңіз, оларға дейінгі ара қашықтық 2 см. кем емес болуы тиісті.

- **Балқығыш пластиктар** – микротолқынды пеште даярау үшін жаарамайды.
- **Лактанған ыдыс** – микротолқындардың әсерінен лак балқуы мүмкін.
- **Әдеттегі шыны (сонымен бірге фигуралық және жуан)** – жоғары қызулардың әсерінен формасы өзгеруі мүмкін.
- **Қағаз, сабан, ағаш** – жоғары қызу әсерінен тұтануы мүмкін.
- **Меламинды ыдыс** – микротолқынды сәулелерді жұта алады, бұл оның шытынауына немесе термодеструкция соқтырады және даярлау уақытын едәуір ұлғайтады.
- Пеште тағам өнімдерін пластмассадан немесе қағаздан жасалған ыдыста қыздырған кезде, жанып кетпеуі үшін пешті қадағалау керек.

**МИКРОТОЛҚЫНДЫ ПЕШКЕ АРНАЛҒАН ЫДЫСТЫ ҚАЛАЙ АНЫҚТАУҒА БОЛАДЫ?**

- Барынша көп қуаттылыққа жұмыс тәртіптерінің ауыстырып қосқышын пісіру және орнатуға қосыңыздар (барынша көп температура), сыйғызыңыздар тестіленетін ыдысты 1 минутқа пісіру және су стаканы қасында қойыңыздар (~ 250 мл).
- Ыдыс, жарамды ана микротолқынды ошақтар азық даярлығына арналған қалады ғой температураның, не және құрудың алдында пісіру, сол уақытта су жылынады.

**ПАЙДАЛЫ КЕҢЕСТЕР**

- Даярлық уақытына олардың өнімдердің біркелкі жылытуына арналған төңкеріңіздер.
- Тар кеңірдекпен ыдысты қолдану, шөлмектің, дәл осылай қалай олар жарыла алады.
- Өнімдердің температура өлшеуіне арналған термометрлерді қолдану. Арнайы термометрлер тек қана қолданыңыздар, арналғандар микротолқынды ошақтардың артынан.

**СЕРВИСКЕ БҰРЫЛМАС БҰРЫН**

- Егер пісіруге қосылмаса, тексеріңіздер:
  - Розетка тұзулік және электр жүйесінде күштену барысы;
  - Таймер құру дұрыстығы;
  - Тығыз есік жабық.

**РАДИОТОСҚАУЫЛДАР**

- Қабылдау жанында микротолқындар бөгеттерді шақыра алады денеде – немесе радиосигналдардың.
- Бөгеттер минимизация жасау үшін:
  - Есіктер және есіктер мен тығыздағыштар;
  - Микротолқынды ошақтан алысырақ болады қалай теледидар және радиоқабылдағышты қондырыңыздар;
  - Ең жақсы нәтиже жетуіне арналған қабылдау антеннаны ыңғайын табыңыздар.
  - Пісіру микротолқынды қосыңыздар және электр жүйесі әртүрлі сызықтарына қабылдағыш.

**ҚҰРУ**

- Көзі жетесіздер, не ошақ ішінде буып-түйетін материалдардың және бөтен заттарды жоқ.
- Тексеріңіздер, зақымдалған емес тасу жанында:
  - Есіктер мен тығыздағыштар;
  - Дене және байқау терезе;
  - Камера қабырғалары.
- Табылуда – ақауларды пісіруге қоспаңыздар; сатушыға немесе сервисті орталыққа бұрыласыздар.
- Тегіс горизонтальдық бетке пісіру микротолқынды орнатыңыздар, жеткілікті берікті, өнімдермен және ыдыспен ошақ салмағы шыдау үшін.
- Қайнарлар жақын маңда пісіруге орналастырмаңыздар тепла.
- Ештеңе қойып қоймаңыздар пісіру. Желдету тесіктерді қайта жаппаңыздар.
- Үшін ошақ нормалы жұмыстары желдетуге арналған азат кеңістік қажетті қамсыздандыру: кемірек емес: 20 см сверху, 10 см артқы панель жағынан және кемірек емес 5 см жақ жақтардан.

**МИКРОТОЛҚЫНДЫ ОШАҚТАР ДАЙЫНДЫҚ ҚАБЫЛДАУЛАРЫ**

- Азықтарды тек қана бір қабат орналастырыңыз, жуан кесектер шетіне жақынырақ қойыңыз.
- Даярлық уақытының ар жағында қадағалаңыздар, минимуммен оның сұрау қойыңыздар, қажеттілік өлшемімен бірте-бірте үлкейті. Өте ұзаққа созылғанның дайындыққа өнімдер түтей алады және тұтану.

**ЕСКЕРТУ:** Даярлау уақыты сонымен қатар азықтардың түрі, мөлшері және орналастырылуына тәуелді өзгере алады. Үлкен немесе жуан кесектер ұзағырақ әзірленеді, ал майдалары – тезірек.

- Азықтарды арнайы қақпақшалармен немесе пластикпен бір ұшын артық будың шығуы үшін қайырып жабыңыз, шығаруға арналған бұрыштардың екі. Қақпақшалар өте қатты қызады – олармен сақ болыңыз!
- Үшін біркелкі жылыту көбірек және даярлық тездетулері өнімдерді төңкеріңіздер және араластырыңыздар.
- Дөңгелектер | сопақ табақтың, айырмашылыққа квадраттардың тік бұрыштылардың, біркелкі жылыту көбірек сонымен қатар қамсыздандырады.
- Азықтарды орамасыз терең емес тұғырықта немесе микротолқынды өңдеуге арналған торда айналмалы шыны табақты міндетті қолданып жібітіңіз. Өнімдерді тоңазытқанда, оларға мүмкіндігінше ықшам түрді беріңіз.
- Азықтардың ара қашықтығы біркелкі өңдеуді қамсыздандыру үшін, мысалы, көкөністермен, кекстермен және т.б., 2,5 см аз емес болуға тиіс.
- Азықтың жарылмауы үшін тығыз қабығын немесе тысын тесіңіз.
- Тек қана дайын және мұздалған азықтарды оларды араластыра қыздырыңыз.
- Попкорн – өндірушінің нұсқауларын қатал ұстаныңыз және микротолқынды пешті қарусыз қалдырмаңыз. Егер азық тиісті уақытта дайын болмаса, пісіруді тоқтатыңыз. Өте ұзаққа созылған өңдеу өртенуге әкелуі мүмкін.

**САҚТЫҚ:** Попкорнды даярлау үшін қызыл қоңыр қағаздан жасалған пакеттерді қолданбаңыз және дөңдердің қалдықтарын қолдануға тырыспаңыз. Попкорнның орамасын тікелей шыны табаққа орналастырмаңыз, оны төрелкеге қойыңыз.

**ЖҰМЫС**

- Пешті электр жүйесіне қосыңыз.
- Өнімдерді пешке салыңыз және есікті жабыңыз.

**ЕСКЕРТУ:** Есік ашық кезінде пеш жұмыс істемейді.

- Кестені басшылыққа ала ауыстырып қосқышпен өңдеу тәртібін орнатыңыз.

Power	Жұмыс тәртібі	Қуаттылық деңгейі
Low	ЖЫЛЫТУ	17%
Defrost	ЖІБІТУ. Азықтарды орамасыз терең емес тұғырықта немесе микротолқынды өңдеуге арналған торда жібітіңіз, әлбетте айналмалы шыны табақпен. Өнімдер тоңазытқанда, оларға мүмкіндігінше ықшам түр беріңіз.	37%
M-Low	Ет және құс	40%
Med	Омлеттер, пісіру, кремдер	66%
M.High	Бутербродтар, пицца	85%
High	Пісіру, ет және балық, пісірілген картоп және басқа көкөністер, попкорн.	100%

- Таймерді қажетті уақытқа орнатыңыз.
- ТАЙМЕР**
- **30** минут аралығында өңдеу уақытын қою үшін қызмет етеді.
  - Пешті қосу үшін таймерді тұтқасын сағат тілімен айналдырыңыз.
  - Тұтқаны әрі қарай бұрап, тілеген уақытты қойыңыз.
  - Таймерді қою кезінен бастап пеш қосылады да ішкі жарық және желдету жұмыс істей бастайды.
  - Егер даярлауды доғару қажет болса, таймерді «0» күйге орнатыңыз немесе есікті ашыңыз.
- HAZAP:** Егер өнімдер даярлау уақытынан бұрын алынған болса және сіз дайындауды жалғастырмасаңыз таймерді әрқашан «0» күйге қайтарып қойыңыз.
- HAZAP:** егер өңдеуге арналған уақыт 2 минуттан кем болса, алдымен таймерді 3 минутты белгінің артына айналдырыңыз да қажетті күйге содан соң қайтарыңыз.
- Қойылған уақыт өткен соң пеш автоматты сөніп қалады және дыбысты сигнал естіледі.

**ДАЯРЛЫҚ ТОҚТАТА ТҰРУ**

- Бұл қызмет өнімнің даярлық дәрежесін тексеру үшін пайдалы.
- Өңдеуді есікті жай ашумен ғана тоқтатуға болады. Егер оны жапса, процес жалғасады.

**ТАЗАЛАУ ЖӘНЕ КҮТІМ**

- Пешті тұрақты түрде тазарту және оның бетінен кез келген тағам қалдығын жою керек.
- Тазалаудың алдында электр жүйесінен пісіруге өшіріңіздер және сөндіріп тастаңыздар.
- Ошақтар толық суынуға беріңіз.
- Жуатын құралмен дымқыл матамен басқару панель, сыртқы және ішкі беттер, шыны табақты сүртіңіздер.
- Агрессиялық заттар немесе қайрақ материалдарды қолданбаңыздар.
- Жағымсыз иіс қашықтату үшін, қандай болмасын терең ыдысқа құйыңыздар, жарамдыны микротолқынды ошақтардың артынан, су стаканы бір лимоннан шырынмен, және қойыңыздар пісіру 5 минутқа таймер, барынша көп жайға жұмыс тәртіптерінің ауыстырып қосқышын орнатыңыздар. Қашан дыбысты сигнал естіледі және сөніп қалуға пісіру, извлеките ыдысты және матамен құрғақ камера қабырғалары сүртіңіздер.

**САҚТАУ**

- Көзі жетесіздер, не электр жүйесінен сөндірілгенге пісіру және толық суыңды.
- Бөлім талаптары барлық орындаңыздар “ТАЗАЛАУ ЖӘНЕ КҮТІМ”.
- Құрғақ таза орында есікпен аздап ашықпен пісіруге сақтаңыздар.