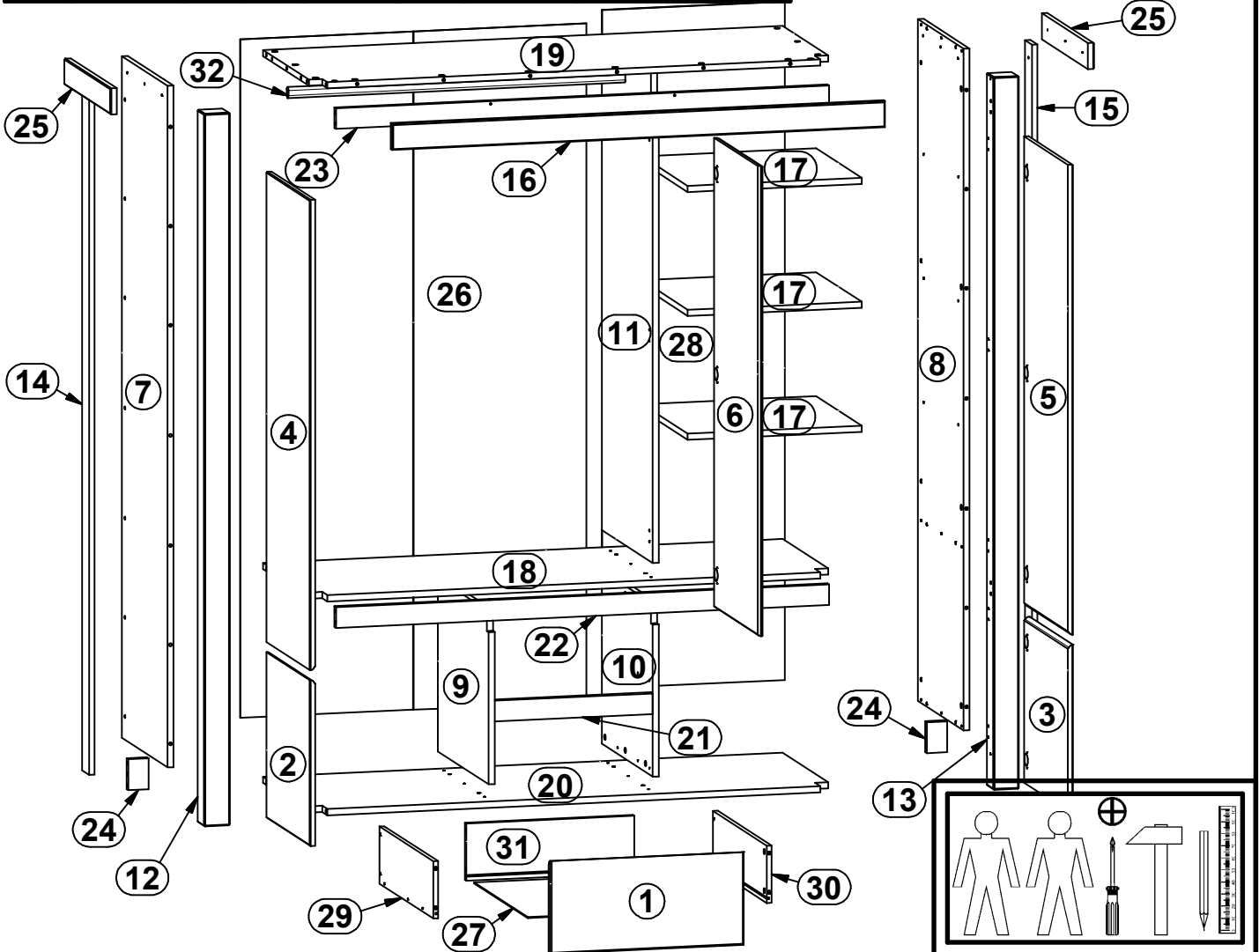
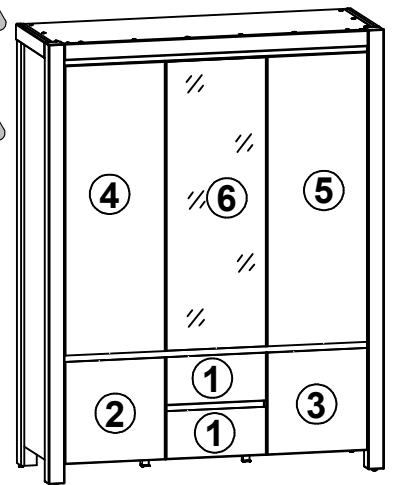


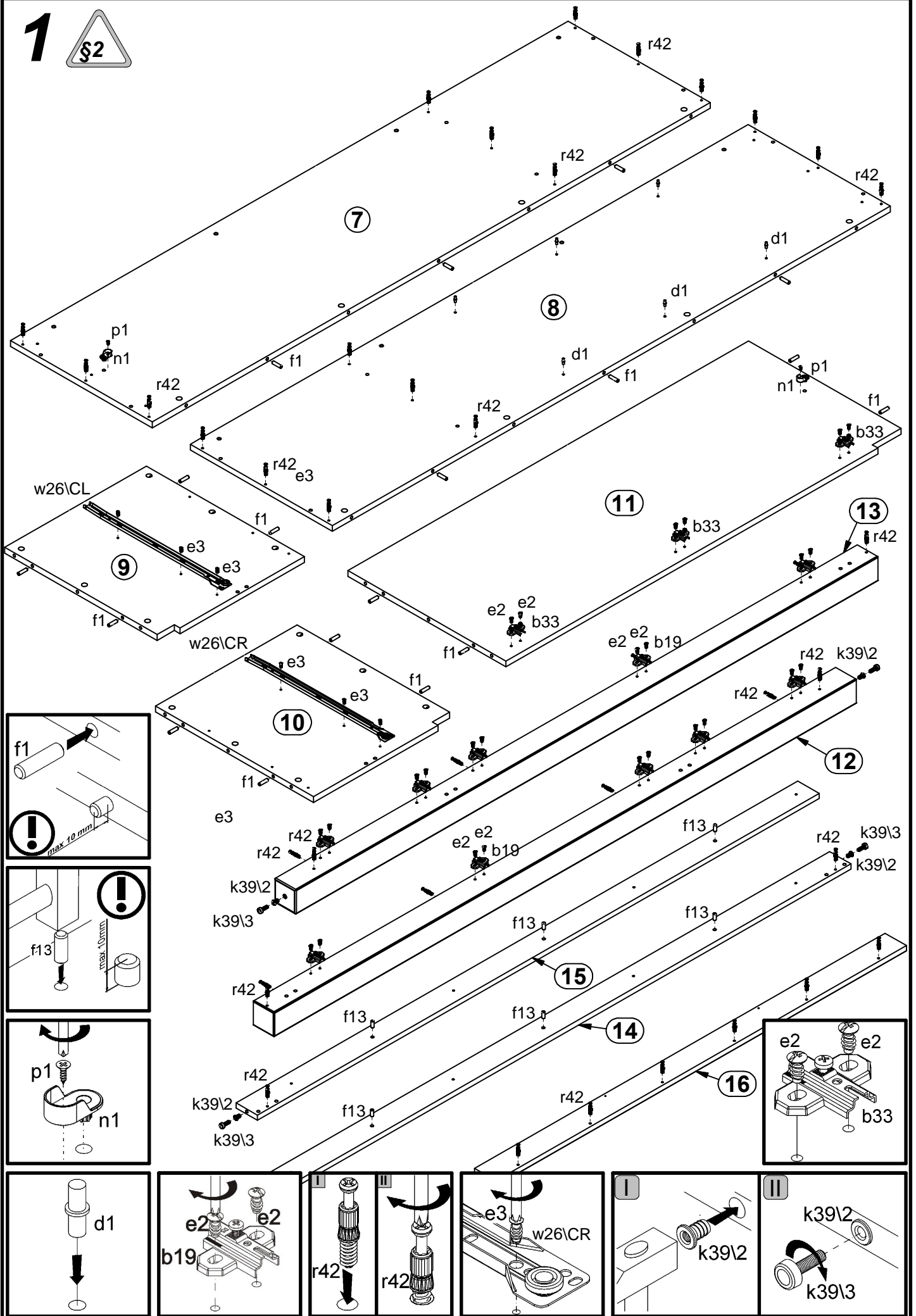
S83-SZF5D2S
S177-SZF5D2S
S180-SZF5D2S

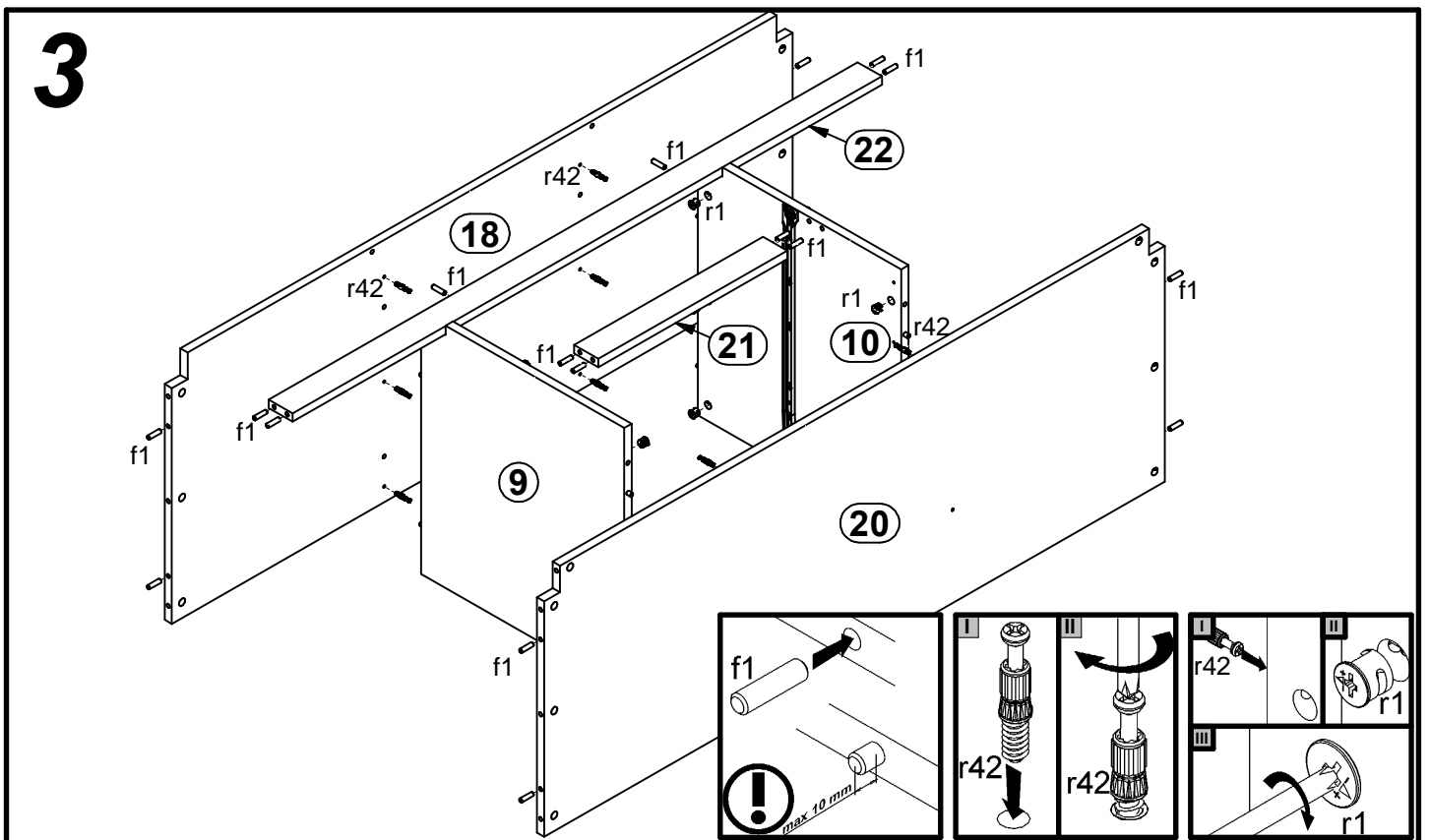
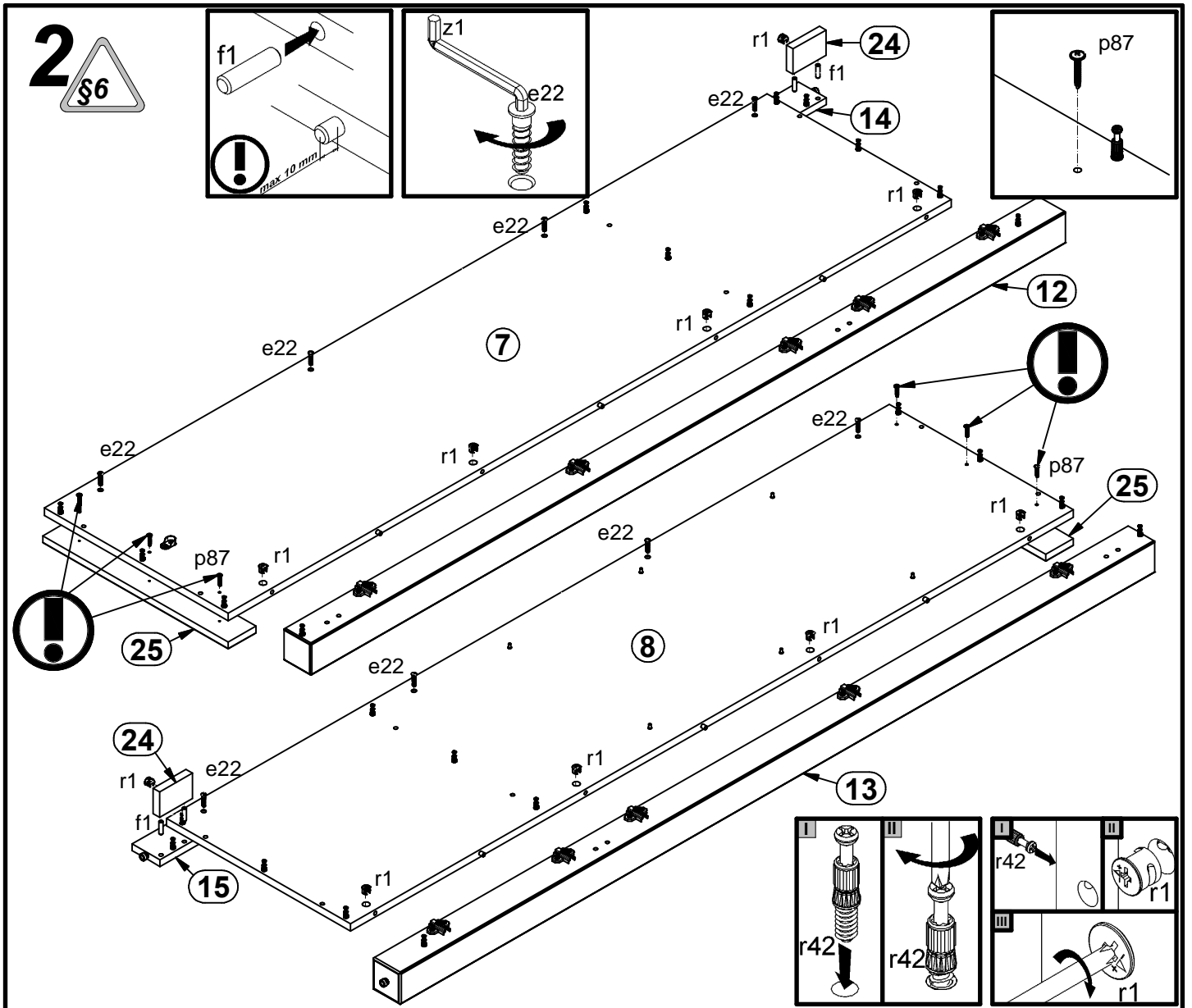
A	B	C	D	A	B	C	D		
1	S83-008	482	227	5/7	17	S83-305	514	503	3/7
2	S83-011	482	482	5/7	18	S83-324	1535	561	2/7
3	S83-012	482	482	5/7	19	S83-325	1535	561	2/7
4	S83-021	1366	482	6/7	20	S83-326	1535	561	2/7
5	S83-022	1366	482	6/7	21	S83-403	467	60	3/7
6	S83-023	1366	482	7/7	22	S83-408	1457	60	2/7
7	S83-144	1980	504	1/7	23	S83-414	1457	60	2/7
8	S83-145	1980	504	1/7	24	S83-575	90	60	4/7
9	S83-146	503	561	3/7	25	S83-585	508	76	4/7
10	S83-147	503	561	3/7	26	S83-905	1970	1023	1/7
11	S83-148	1422	561	2/7	27	S83-921	429	498	2/7
12	S83-1583	2070	76	4/7	28	S83-922	1970	540	1/7
13	S83-1584	2070	76	4/7	29	ZS1-505	500	140	3/7
14	S83-1585	1994	76	4/7	30	ZS1-506	500	140	3/7
15	S83-1586	1994	76	4/7	31	ZS1-5559	418	140	3/7
16	S83-1587	1457	76	4/7	32	dr-996	996	30	1/7



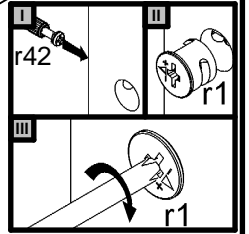
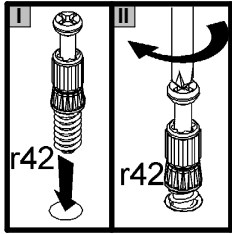
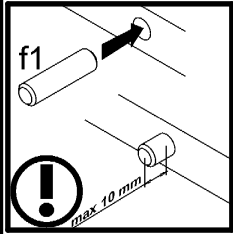
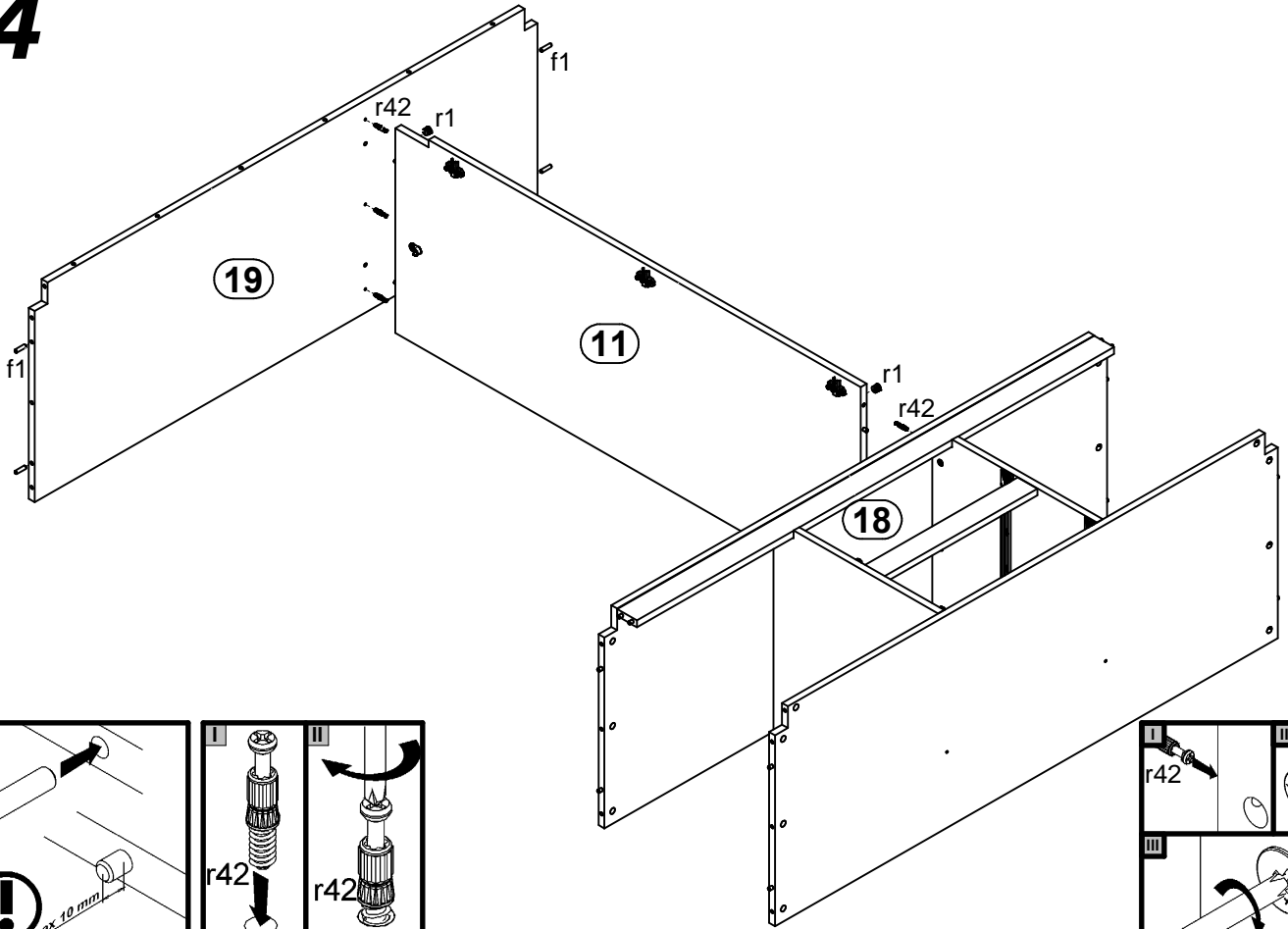
10x a43	3x a68	10x b19	3x b33	12x d1 φ8x17 mm	28x e2 φ6,3x13 mm	12x e3 φ6x13 mm	12x e19 φ5x9 mm	8x e22 φ7x28 mm
48x f1 φ8x30 mm	6x f13 φ8x20 mm	8x f25 φ6,5x40 mm	2x k38/3	2x k38/4	4x k39/2 M6/φ9x14 mm	4x k39/3 M6/22mm	130x l1	2x n1
2x p1 φ3,5x13 mm	2x p9 φ4x30 mm	8x p38 φ3,5x16 mm	26x p51 φ3,5x15 mm	6x p87 φ4x25 mm	56x r1 φ1,5x12mm #16	8x r15 φ12x10,5mm #12	64x r42	8x s1
14x s2 ø16	2x w26/CL 500 mm	2x w26/CR 500 mm	2x w26/DL 500 mm	2x w26/DR 500 mm	1x z1			

1 

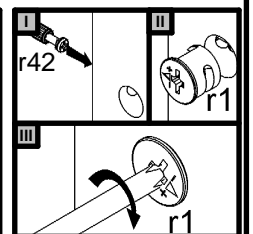
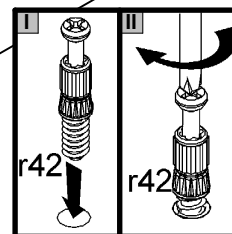
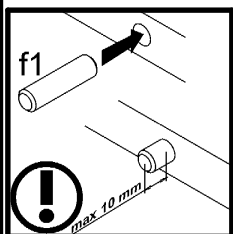
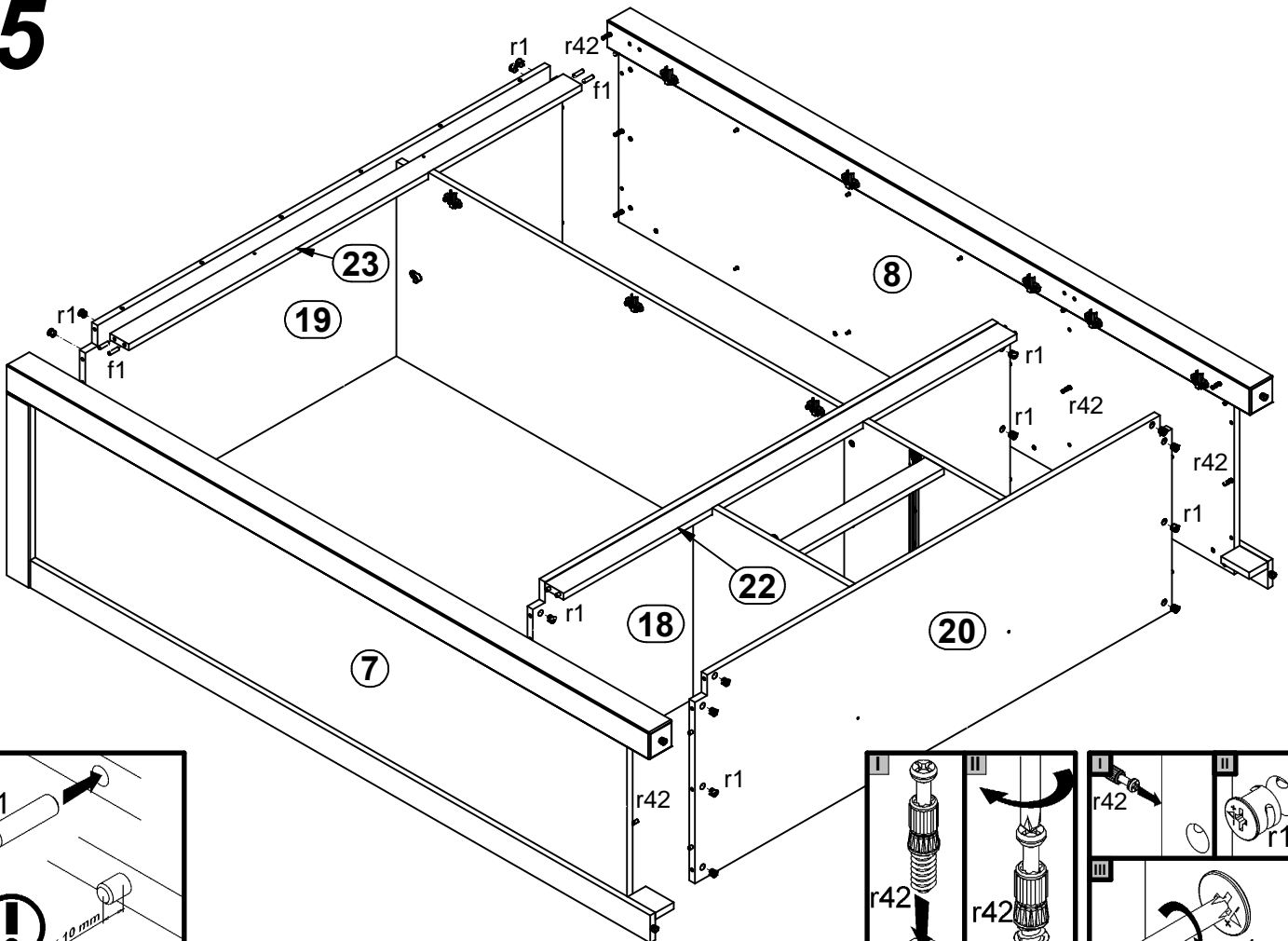




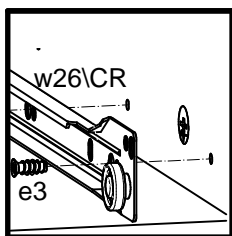
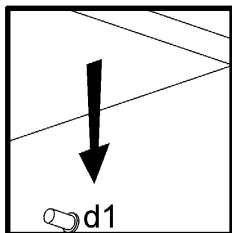
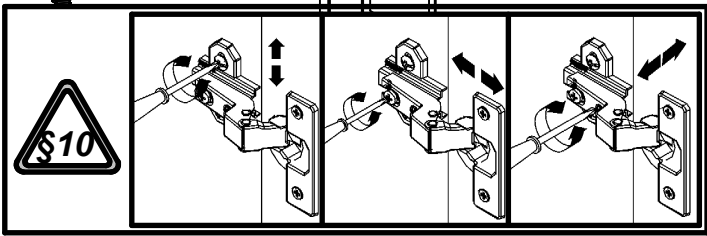
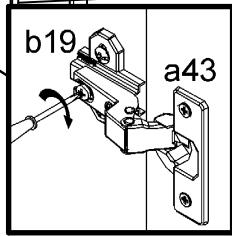
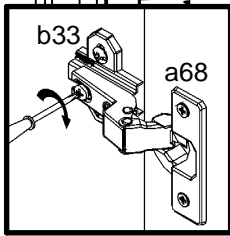
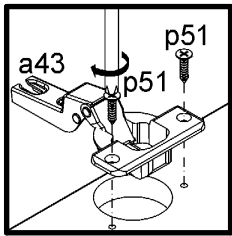
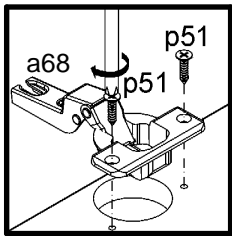
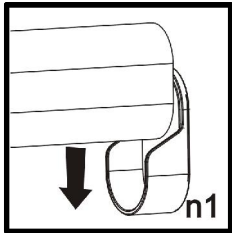
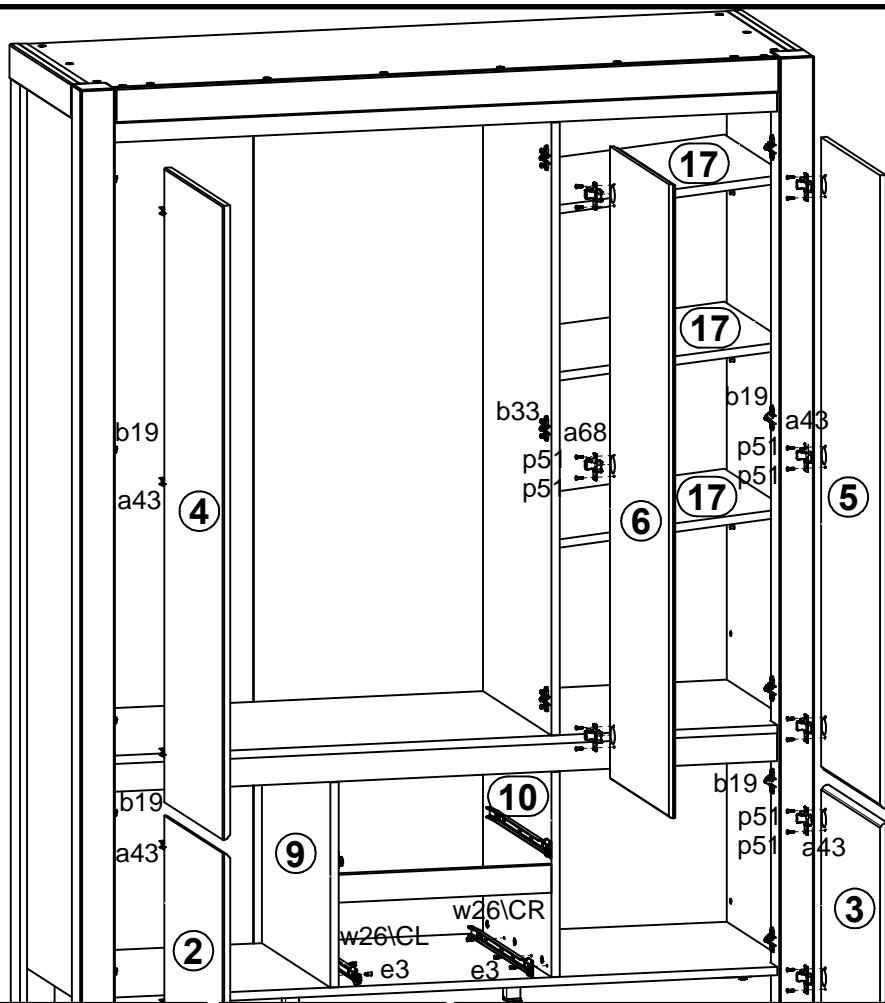
4



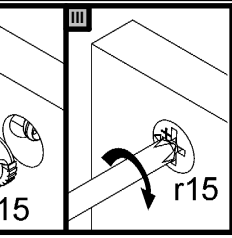
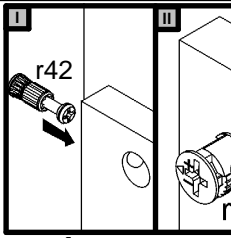
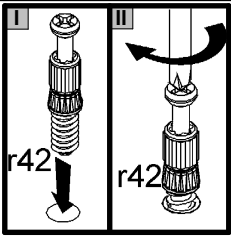
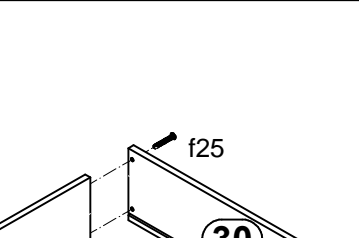
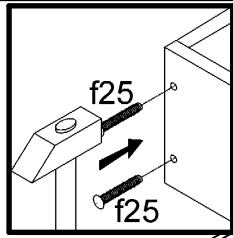
5



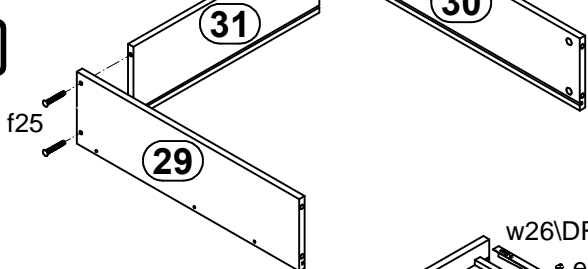
8



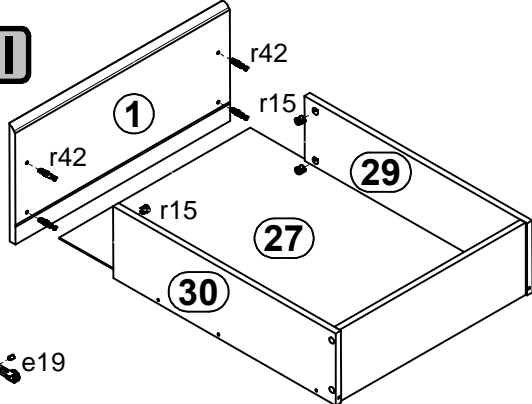
9



I



II



III

