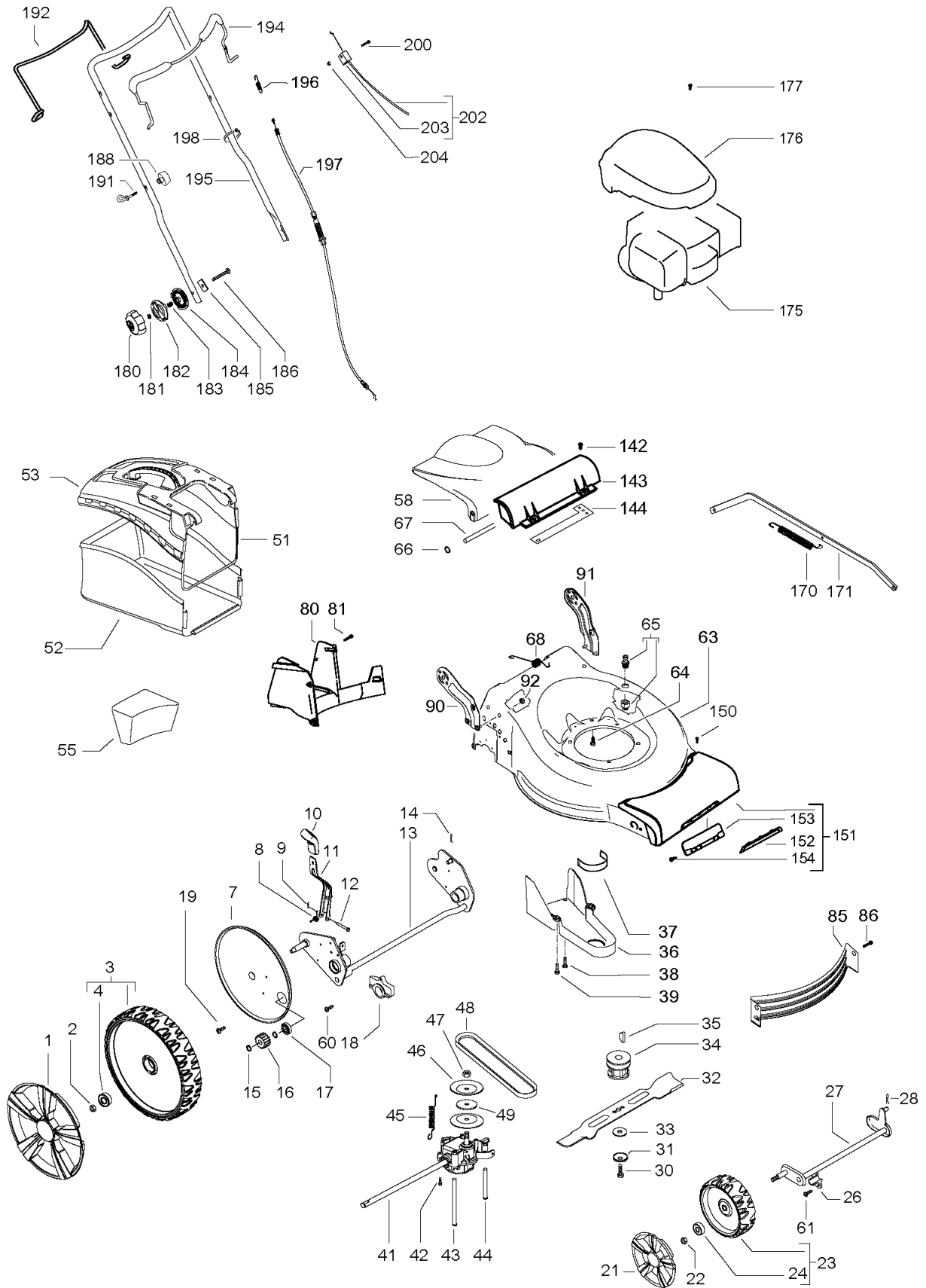




# SPARE PARTS LIST

LAWN MOWERS: CONSUMER  
WALK-BEHINDS

M53-150WRP, 96708770100, 2017-02



PRODUCT COMPLETE

M53-150WRP, 96708770100, 2017-02

Ref	Part No	Description	Remark	QTY	KIT
1	574 39 66-01	HUB CAP	d.280	2	
2	504 85 78-01	NUT	M8, self locking, flanged	2	
3	574 45 12-02	WHEEL ASSY	d.280	2	
4	531 20 87-78	BEARING		4	3
7	504 53 99-01	HUB CAP	d.280	2	
8	583 95 13-02	SPRING		1	
9	531 20 74-08	PIN RETAINING SCREW		1	
10	580 46 24-01	KNOB		1	
11	582 75 93-01	LEVER ASSY		1	
12	587 19 82-01	PEN		1	
13	581 73 35-01	REAR AXLE		1	
14	531 20 66-53	PIN		1	
15	531 20 87-72	WASHER		4	
16	544 34 23-01	PINION		2	
17	531 20 87-78	BEARING		2	
18	531 20 59-44	SUPPORT		2	
19	531 20 78-56	SCREW	M5x10	4	
21	574 39 64-01	HUB CAP	d.190	2	
22	504 85 78-01	NUT	M8, self locking, flanged	2	
23	574 45 09-02	WHEEL ASSY	d.190	2	
24	531 20 87-78	BEARING		4	23
26	577 38 42-01	SUPPORT		2	
27	573 97 60-01	FRONT AXLE		1	
28	531 20 66-53	PIN		1	
30	531 20 80-08	SCREW	3/8"	1	
31	531 20 72-37	WASHER		1	
32	581 18 86-10	MOWER BLADE		1	
33	531 20 72-43	WASHER		1	
34	581 84 30-01	BLADE SUPPORT		1	
35	505 29 09-01	KEY		1	
36	502 09 37-01	BELT GUARD		1	
37	501 18 90-02	BELT GUIDE		1	
38	817 41 13-12	SCREW		1	
39	531 20 78-56	SCREW	5x10	2	
41	577 11 74-01	GEARBOX		1	
42	510 03 75-01	SCREW	4x16, self threading	2	
43	577 92 85-01	BELT GUIDE		1	
44	544 93 43-01	BELT GUIDE		1	
45	544 93 47-01	SPRING		1	
46	504 54 79-01	PULLEY		2	
47	504 54 80-01	NUT		1	
48	531 21 31-31	BELT	Z31 10X775	1	
49	538 23 52-87	WASHER		1	
51	531 21 35-88	BAG		1	
52	577 58 66-06	GRASSBAG		1	
53	577 87 67-99	BAG		1	
55	579 67 94-01	PLUG		1	
58	544 25 55-01	HATCH		1	
60	531 20 66-77	SCREW	4.8x19, self threading	2	
61	525 43 31-01	SCREW	4x16, self threading	4	
63	589462202	TBD		1	
64	532 15 04-06	BOLT	3/8"	3	
65	531 20 58-48	CONNECTOR	1/2"	1	
66	584 81 69-03	LOCKWASHER		2	
67	584 22 56-01	AXLE		1	
68	531 21 18-40	SPRING		1	
80	502 09 42-01	INSERT		1	
81	532 19 41-89	SCREW		6	
85	502 09 33-01	BAFFLE		1	
86	817 00 05-10	BOLT		2	
90	582751402	TBD	right	1	
91	582751202	TBD	left	1	
92	582 75 89-01	HEXAGON NUT FLANGE	M8	4	
142	576 04 74-01	SCREW CRPANT	M5x16	4	

PRODUCT COMPLETE

M53-150WRP, 96708770100, 2017-02

Ref	Part No	Description	Remark	QTY	KIT
143	579 30 09-01	SEAL		1	
144	590083202	TBD		1	
150	576 04 74-01	SCREW CRPANT	M5x16	2	
151	575 56 23-04	FRONT COVER ASSY		1	
152	574 37 52-01	COVER		1	151
153	574 72 17-01	ATTACHMENT PLATE		1	151
154	575 95 57-01	SCREW ITPANT		2	151
170	583 96 87-01	SPRING		1	
171	581 59 07-01	ROD		1	
175	N/A	TBD	engine, Briggs & Stratton, model number 093J020026H1	1	
176	580 44 56-01	SHROUD		1	
177	532 18 16-98	SCREW		3	
180	580 42 43-01	KNOB		2	
181	531 20 49-22	WASHER		2	
182	531 21 14-74	SEGMENT	outer	2	
183	531 21 14-76	SPRING		2	
184	531 21 14-73	SEGMENT	inner	2	
185	531 21 15-81	PLATE		2	
186	581 25 95-01	SCREW RSQM	M8x55	2	
188	581 91 26-01	KNOB		1	
191	581 90 21-01	GUIDE		1	
192	580 65 43-01	BAIL		1	
194	587 68 93-03	BAIL ARM ASSY		1	
195	580 41 23-02	HANDLE		1	
196	580 76 19-01	SPRING		1	
197	544 90 80-05	CABLE		1	
198	531 20 55-81	CLIP		2	
200	580 83 36-01	SCREW EHHM		1	
202	582 19 21-01	CABLE ASSY		1	
203	531 20 80-43	BRACKET		1	202
204	581 55 12-01	HEXAGON LOCKING NUT		1	