

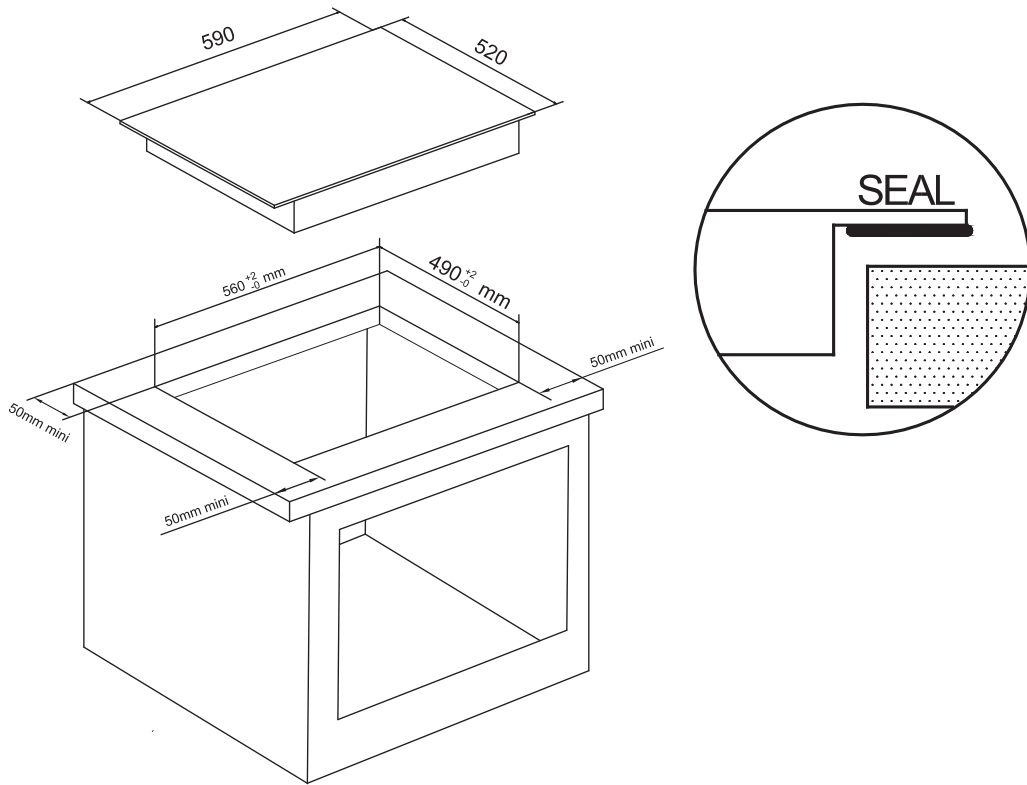
Model :

IF7021B2

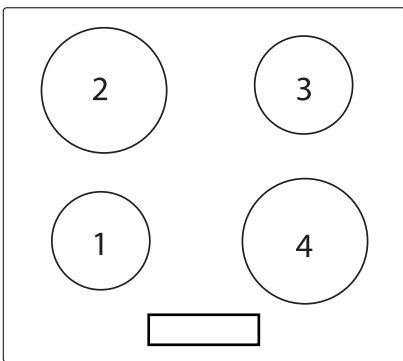
Service Manual

Induction hob

Technical data



Model : IF7021B2



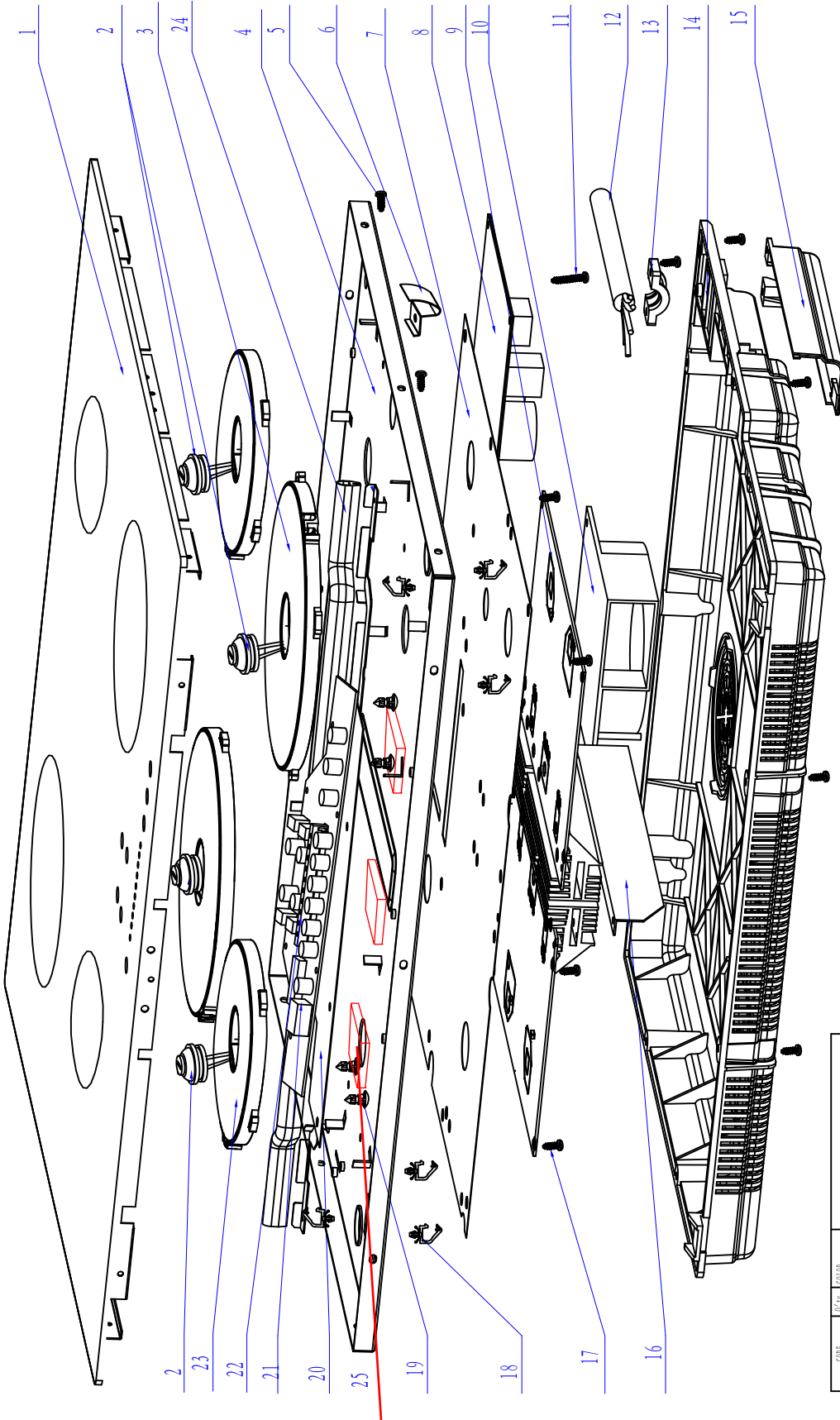
Heating zone	Size (mm)	Normal
1	∅ 160	1200/1500 W
2	∅ 210	2300/2600 W
3	∅ 160	1200/1500 W
4	∅ 210	2300/2600 W

Voltage : 220-240V~

Frequency : 50/60Hz

Exploded view

Model : IF7021B2



CODE	QTY	COLOR	Image
30320680036	2	RED/45mm	
30320680041	2	RED/15mm	
30320680059	2	RED	
30320680057	2	BLUE	
30320680058	1	BLACK/10mm	

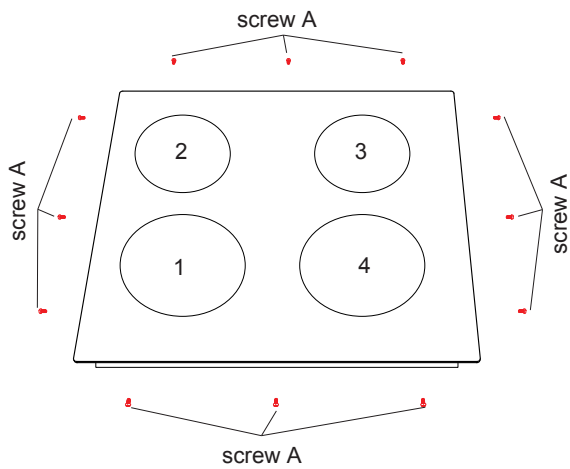
Spare part list

Model : IF7021B2

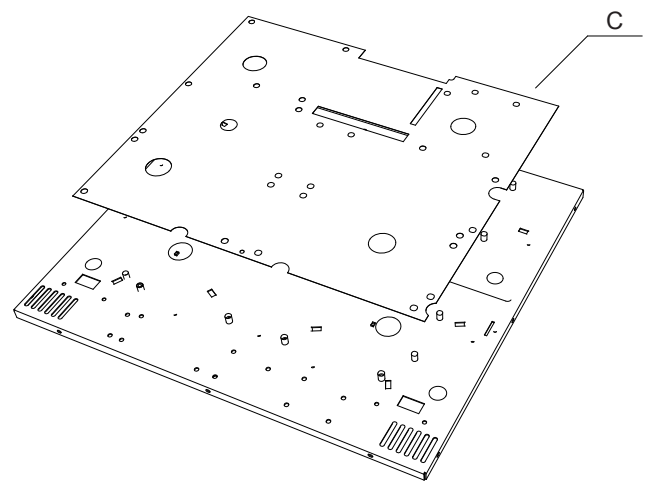
MC-IF7021B2				
No.	Parts code	Parts names	QTY	model
1	12566000001031+ 12966000000037	glass assembly	1	MC-IF7021B2
1	12566000A01799+ 12966000000037	glass assembly	1	MC-IF7021B2-AN
1	12566000A00778+ 12966000000037	glass assembly	1	MC-IF7021B2-IV
1	12566000A00779+ 12966000000037	glass assembly	1	MC-IF7021B2-RW
1	12566000A00780+ 12966000000037	glass assembly	1	MC-IF7021B2-WH
2	17466000000191	the ceramic plate temperature sensor	3	
3	17466000000111	210 Coil groupware	2	
4	12266000000063	radiator board	1	
5	11303125000010	Screw	10	
6	12966000000014	Bracket	1	
7	12766000000011	isinglass flake B	1	
8	17166000000922	accessorial power	1	
9	17166000000239	Power board	2	
10	17466000000046	Fan	1	
11	17466000000050	junction port holder	1	
12	11300912000012	Screw+gasket	1	
13	17466000000223	Power cord	1	
14	12166000000046	Base	1	
15	12166000000036	power cord case cover	1	
16	12166000000020	windshield insulating flake	1	
17	11303125000047	Screw	6	
18	12166000000027	line clamp	6	
19	12166000000029	knighthhead	6	
20	12766000000025	isinglass flake A	3	
21	17166000000089	Display board	1	
22	17466000000081	140 Coil groupware	2	
23	17466000000187	the ceramic plate temperature sensor	1	
24	12666100000009	silica gel strip	1	
25	12266000000012	heat insulate bracket	1	
26	12466000000002	Supporting Foam	3	

Technical data

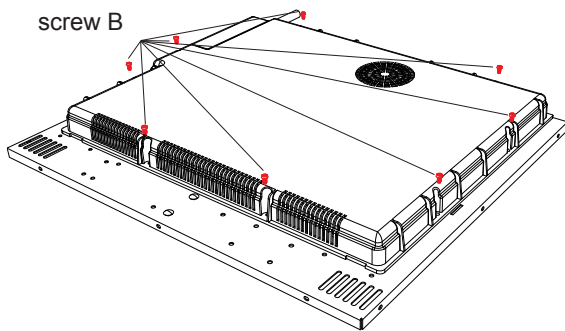
Model : IF7021B2



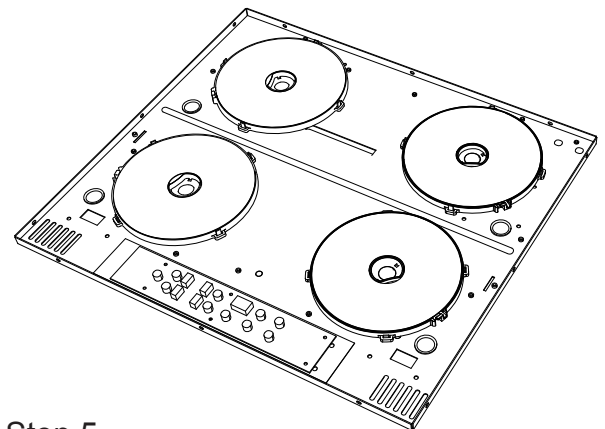
Step1:
remove the screw A around the base cover



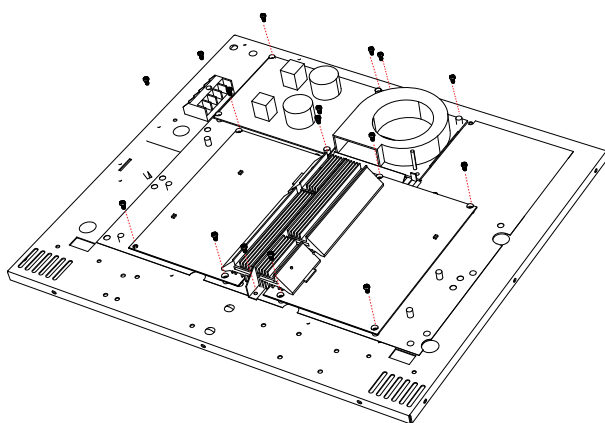
Step 4:
Remove C



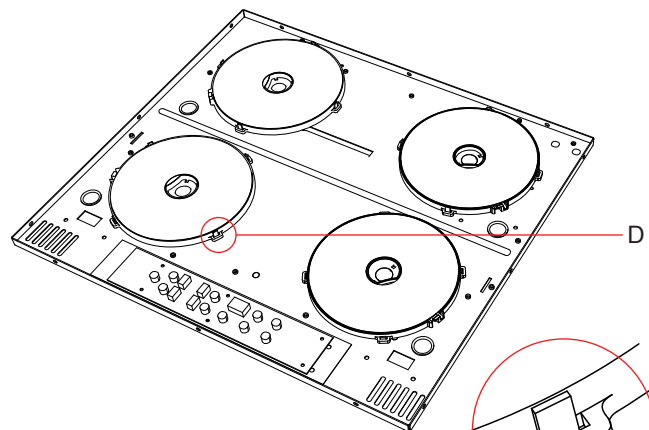
Step2:
remove the screw B



Step 5:
reserve the product



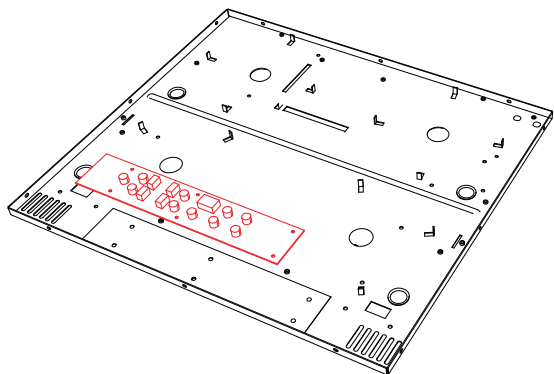
Step 3:
remove all the screws and wires



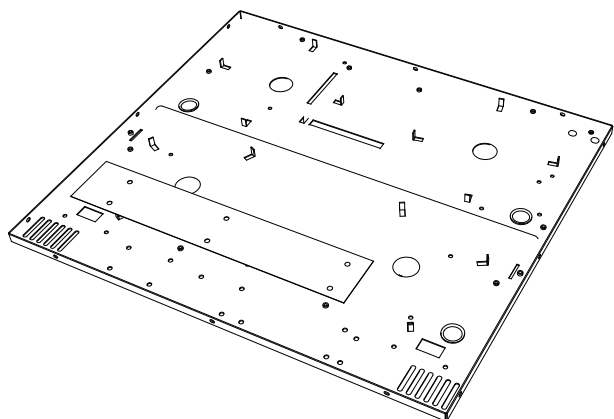
Step.6
to remove the induction coil, straighten
the buckle of D

Technical data

Model : IF7021B2



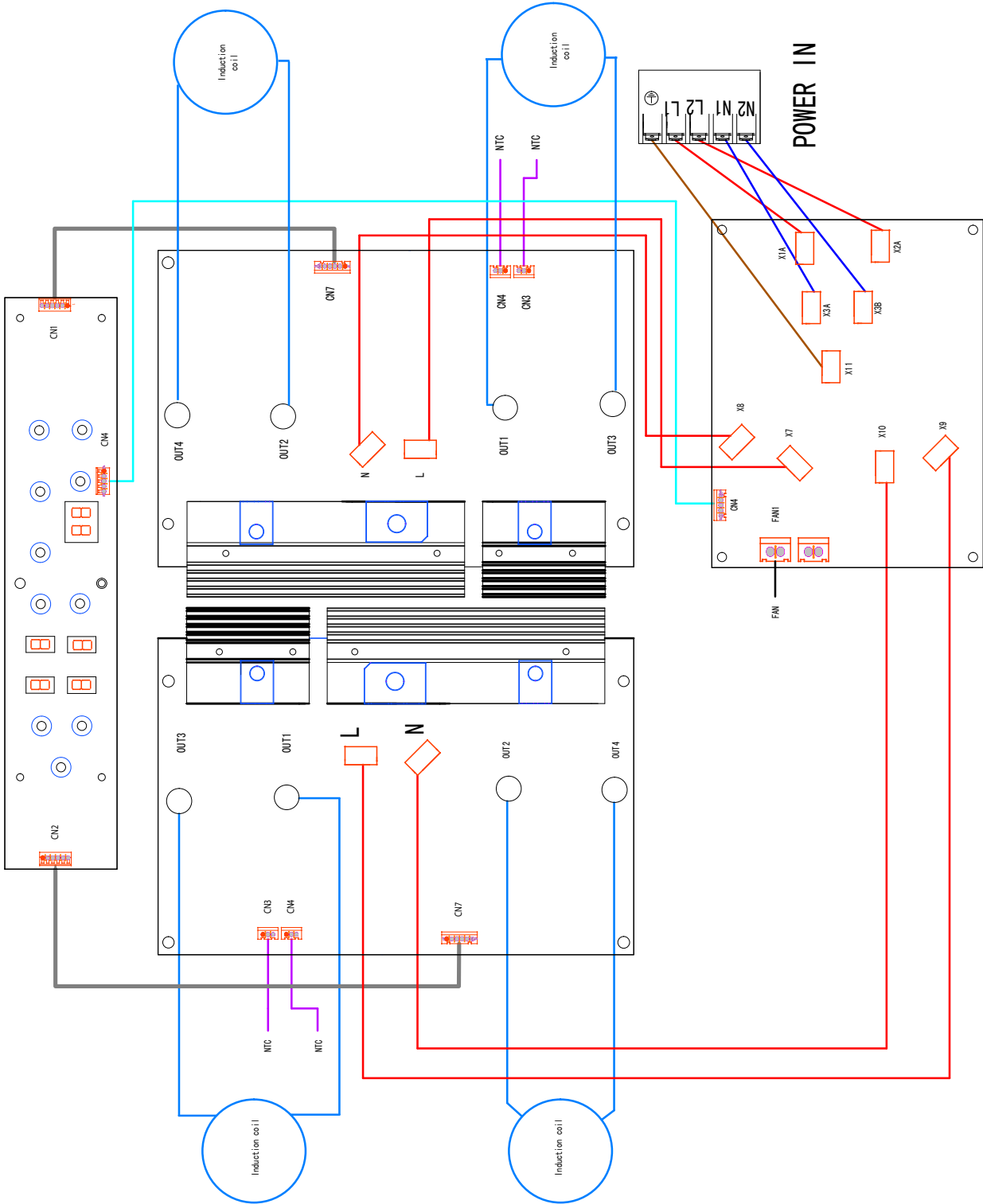
Step 7:
remove the display board



Step 8:
done

Technical data

Model : IF7021B2



The induction hob is equipped with a self diagnostic function. With this test the technician is able to check the function of several components without disassembling or dismantling the hob from the working surface.

Troubleshooting

- 1) failure code occur during customer using.
- 2) Solution a is as following.
- 3) If the problem can't be settled by solution a, solution b can be used.

Failure code	Problem	Solution
E1/E2	Voltage irregularity.	Unit should operate normally after a few minutes and code will disappear from display.
E3/E4	High temperature of ceramic plate	Wait for temperature to return to normal. Push "ON/OFF" button to restart unit.
E5/E6	High temperature of hob	Wait for temperature to return to normal. Push "ON/OFF" button to restart unit.
		Check if the fan runs smoothly.Fan should be replaced by a new one if not work anymore.
F3/F4/F5/F6/F7/F8	Ceramic plate temperature sensor failure.	Check the connection or replace the ceramic plate temperature sensor.
F9/FA/FB/FC/FD/FE	IGBT temperature sensor failure.	Replace the power board.

Failure	Problem	Solution A	Solution B
The LED does not come on when unit is plugged in.	No power supplied.	Check to see if plug is secured tightly in outlet and that outlet is working.	
	The accessorial power board and the display board connected failure	Check the connection.	
	The accessorial power board is damaged.	Replace the accessorial power board	
	The display board is damaged.	Replace the display board.	
Some buttons can't work, or the LED display is not normal.	The display board is damaged.	Replace the display board.	
The Cooking Mode Indicator comes on, but heating does not start.	High temperature of the hob.	Ambient temperature may be too high.Air Intake or Air Vent may be blocked.	
	There is something wrong of the fan.	Check if the fan runs smoothly.Fan should be replaced by a new one if not work anymore.	
	The power board is damaged.	Replace the power board.	

Failure	Problem	Solution A	Solution B
Heating stops suddenly during operation and display “ <u>u</u> ”.	Pan Type is wrong.	Use the proper pot (refer to the instruction manual.)	Pan detection circuit is damaged, replace the power board.
	Pot diameter is too small		
	Cooker has overheated;	Unit is overheated.Wait	
		for temperature to return to normal. Push “ON/OFF” button to restart unit.	
Heating zones of the same side (Such as the first and the second zone) would display “ <u>u</u> ” .	The power board and the display board connected failure;	Check the connection.	
	The display board of communicate part is damaged.	Replace the display board.	
	The power board is damaged.	Replace the power board.	
Fan motor sounds abnormal.	The fan motor is damaged.	Replace the fan.	