

Model :

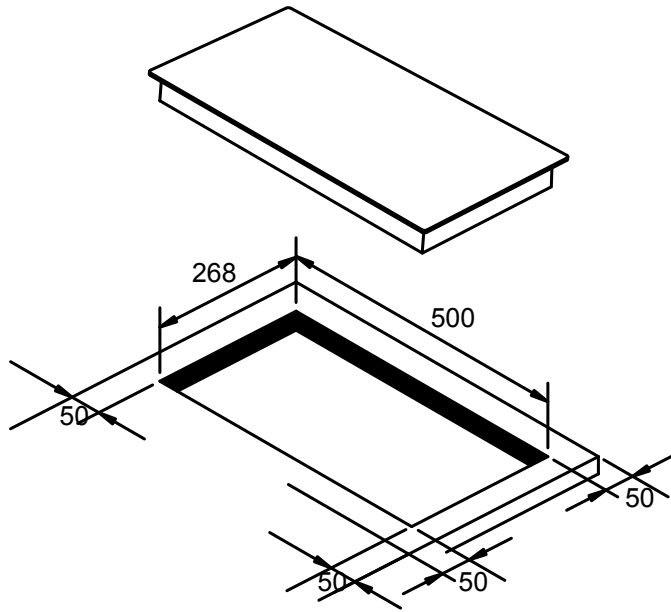
MC-ID351

---

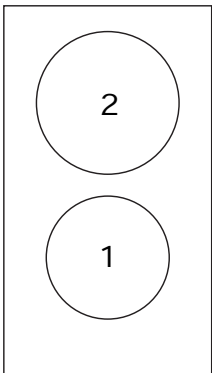
# Service Manual

## Induction hob

Technical data



Model : MC-ID351



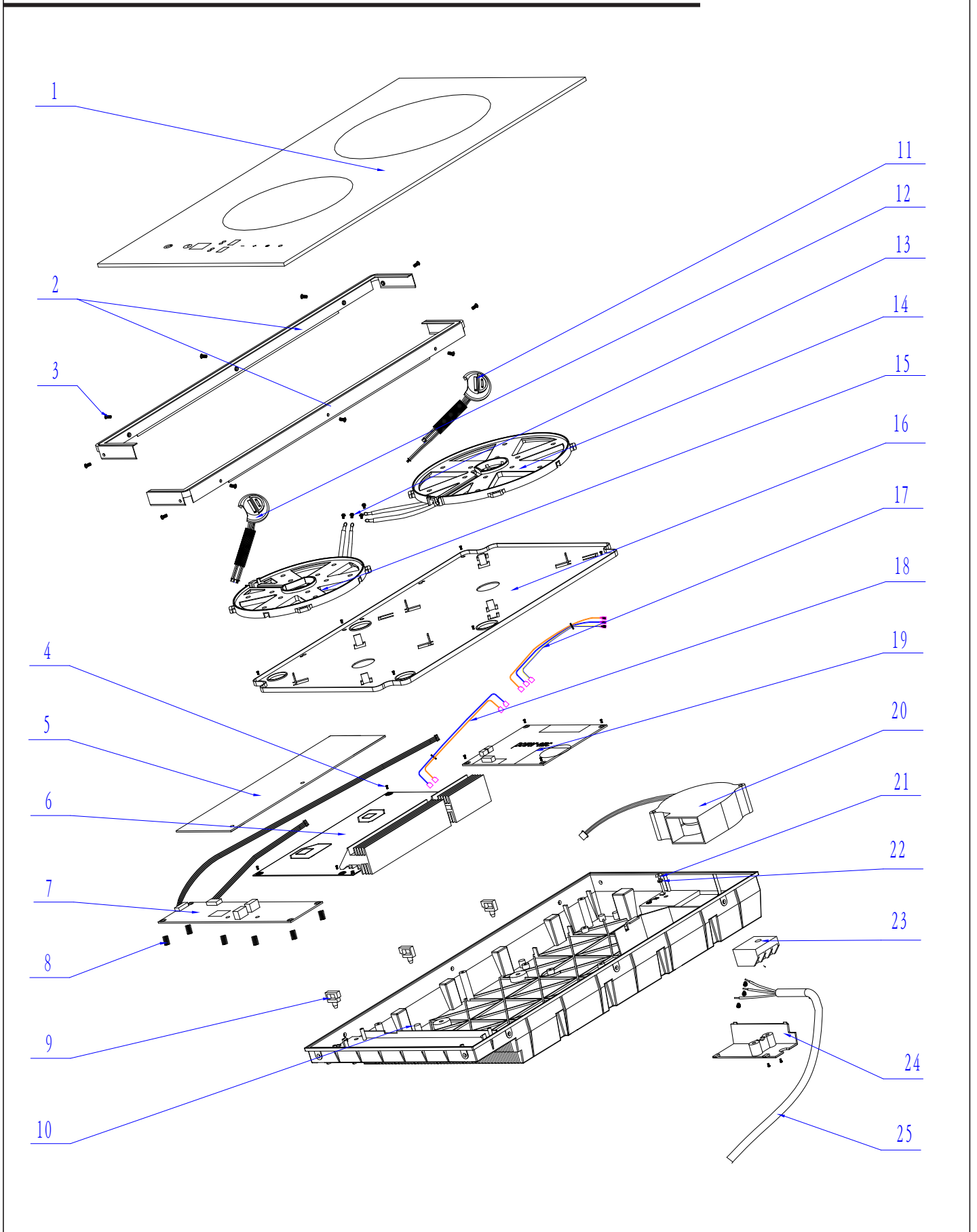
Heating zone	1	2
Size (mm)	ø 140	ø 180
Power	1500W	2000 W

Voltage : 220-240V~

Frequency: 50/60Hz

Exploded view

Model : MC-ID351

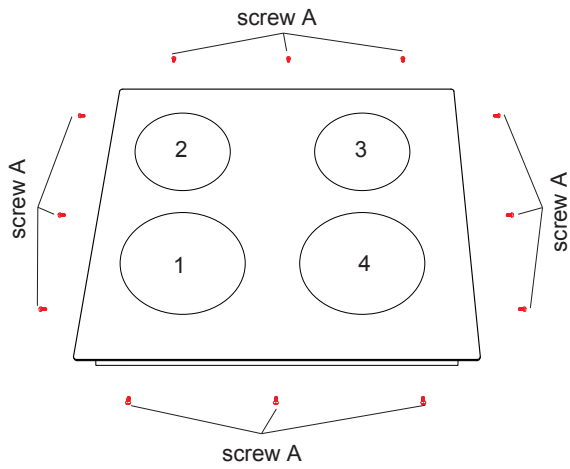


Spare part list

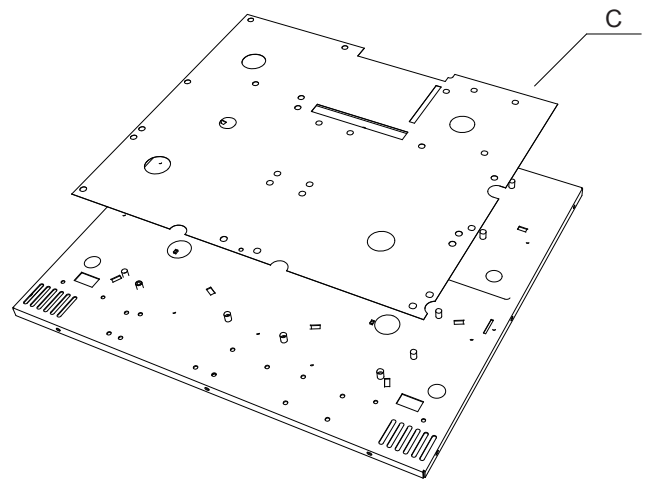
Model : MC-ID351

<b>MC-ID351</b>				
<b>No.</b>	<b>Parts code</b>	<b>Parts names</b>	<b>QTY</b>	<b>model</b>
1、 2	12566000001298+ 12966000000038	glass assembly	1	MC-ID351
1、 2	12566000A00781+ 12966000000038	glass assembly	1	MC-ID351-WH
3	11303125000047	screw	8	
4	11303125000045	screw	14	
5	12166000000017	insulation piece	1	
6	17166000000263	Main control board	1	
7	17166000000122	Display board	1	
8	12966000000048	spring	6	
9	12166000000027	line clamp	3	
10	12166000000050	Base	1	
11	17466000000191	Thermistor Component	1	
12	17466000000191	Thermistor Component	1	
13	11300912000008	Screw	4	
14 (15) (16)	17466000000124	180 Coil groupware	1	
		140 Coil groupware		
		radiator board		
17	17466000000001	Connet line 1	1	
18	17466000000035	Connet line 2	1	
19	17166000000581	Power board	1	
20	17466000000047	Fan	1	
21	11301132000019	screw	1	
22	11300309000001	gasket	2	
23	17466000000049	junction port holder	1	
24	12166000000030	Fixing box	1	
25	17466000000208	power cord	1	

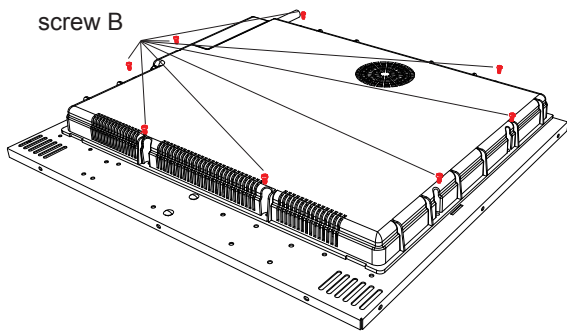
# Technical data



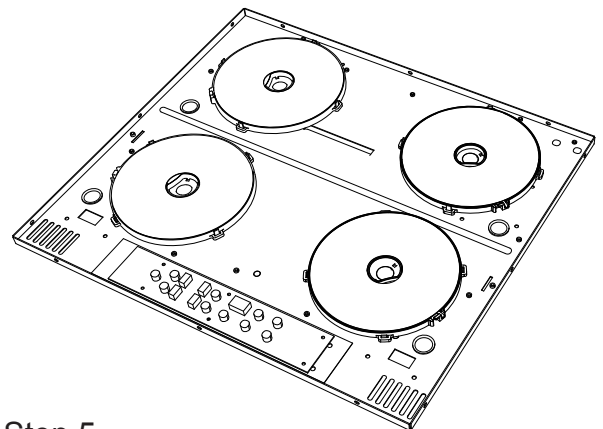
Step1:  
remove the screw A around the base cover



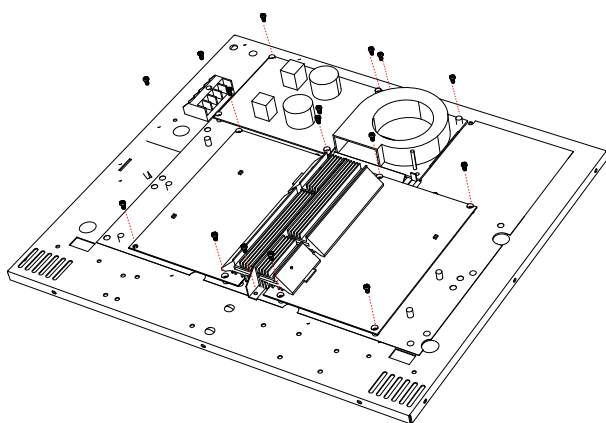
Step 4:  
Remove C



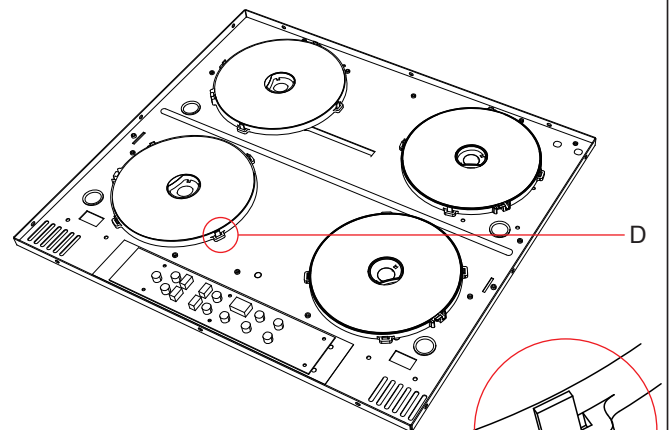
Step2:  
remove the screw B



Step 5:  
reserve the product

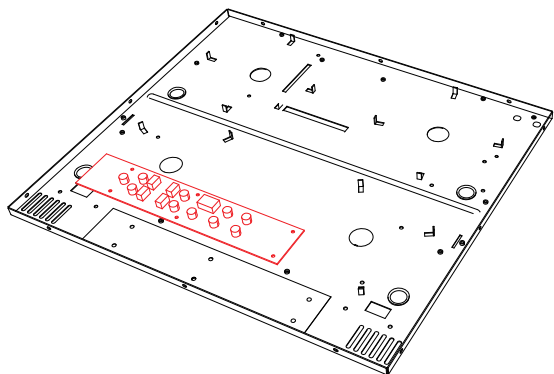


Step 3:  
remove all the screws and wires

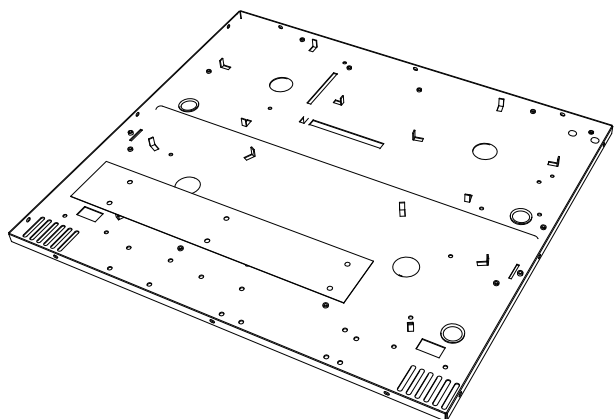


Step.6  
to remove the induction coil, straighten  
the buckle of D

## Technical data



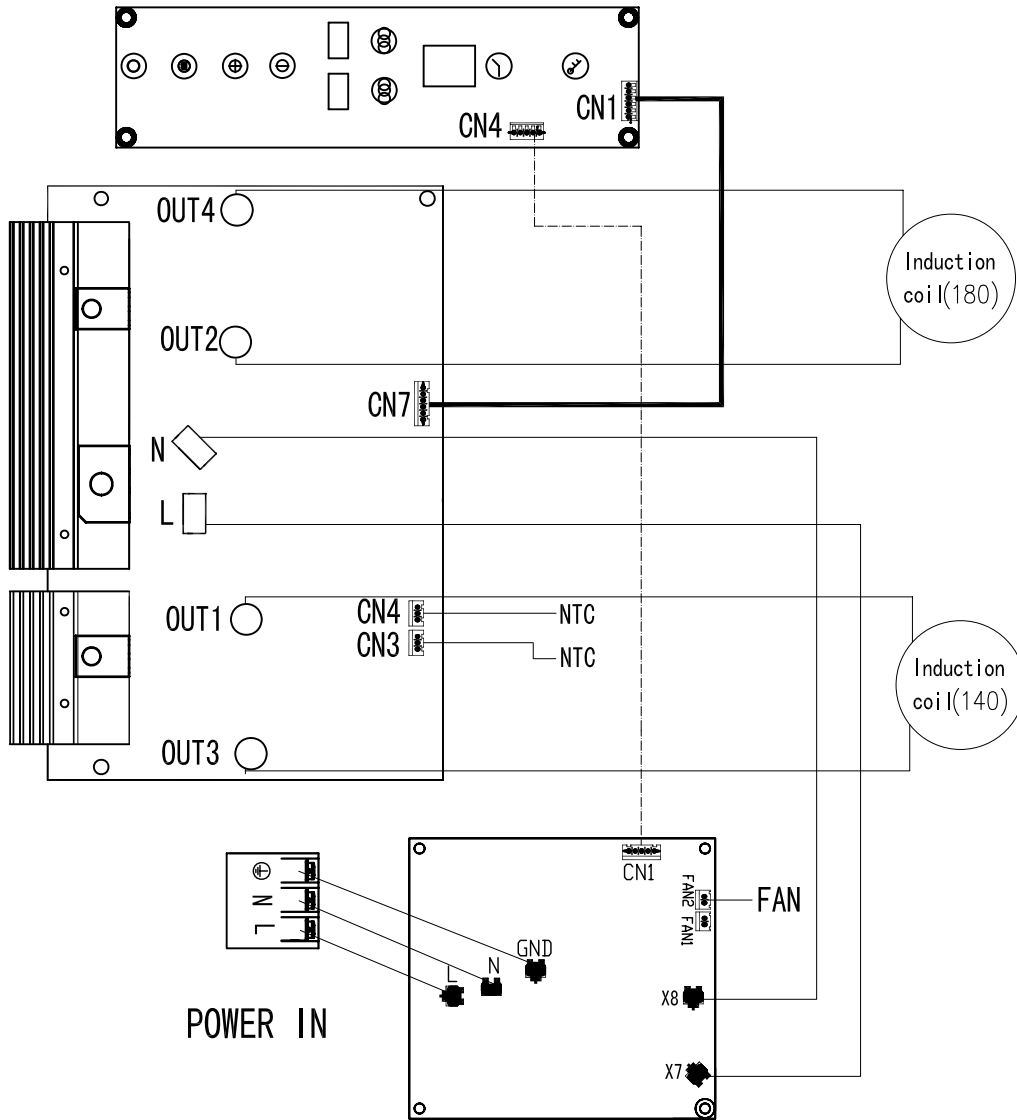
Step 7:  
remove the display board



Step 8:  
done

Technical data

Model : MC-ID351



The induction hob is equipped with a self diagnostic function. With this test the technician is able to check the function of several components without disassembling or dismantling the hob from the working surface.

#### Troubleshooting

- 1) failure code occur during customer using.
- 2) Solution a is as following.
- 3) If the problem can't be settled by solution a, solution b can be used.

Failure code	Problem	Solution
E1/E2	Voltage irregularity.	Unit should operate normally after a few minutes and code will disappear from display.
E3/E4	High temperature of ceramic plate	Wait for temperature to return to normal. Push "ON/OFF" button to restart unit.
E5/E6	High temperature of hob	Wait for temperature to return to normal. Push "ON/OFF" button to restart unit.
		Check if the fan runs smoothly.Fan should be replaced by a new one if not work anymore.
F3/F4/F5/F6/F7/F8	Ceramic plate temperature sensor failure.	Check the connection or replace the ceramic plate temperature sensor.
F9/FA/FB/FC/FD/FE	IGBT temperature sensor failure.	Replace the power board.

Failure	Problem	Solution A	Solution B
The LED does not come on when unit is plugged in.	No power supplied.	Check to see if plug is secured tightly in outlet and that outlet is working.	
	The accessorial power board and the display board connected failure	Check the connection.	
	The accessorial power board is damaged.	Replace the accessorial power board	
	The display board is damaged.	Replace the display board.	
Some buttons can't work, or the LED display is not normal.	The display board is damaged.	Replace the display board.	
The Cooking Mode Indicator comes on, but heating does not start.	High temperature of the hob.	Ambient temperature may be too high.Air Intake or Air Vent may be blocked.	
	There is something wrong of the fan.	Check if the fan runs smoothly.Fan should be replaced by a new one if not work anymore.	
	The power board is damaged.	Replace the power board.	



Failure	Problem	Solution A	Solution B
Heating stops suddenly during operation and display “ <u>u</u> ”.	Pan Type is wrong.	Use the proper pot (refer to the instruction manual.)	Pan detection circuit is damaged, replace the power board.
	Pot diameter is too small		
	Cooker has overheated;	Unit is overheated.Wait	
		for temperature to return to normal. Push “ON/OFF” button to restart unit.	
Heating zones of the same side ( Such as the first and the second zone ) would display “ <u>u</u> ” .	The power board and the display board connected failure;	Check the connection.	
	The display board of communicate part is damaged.	Replace the display board.	
	The power board is damaged.	Replace the power board.	
Fan motor sounds abnormal.	The fan motor is damaged.	Replace the fan.	