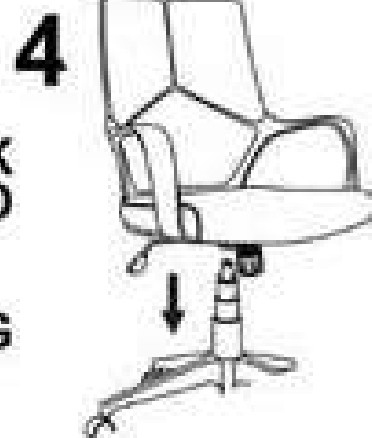
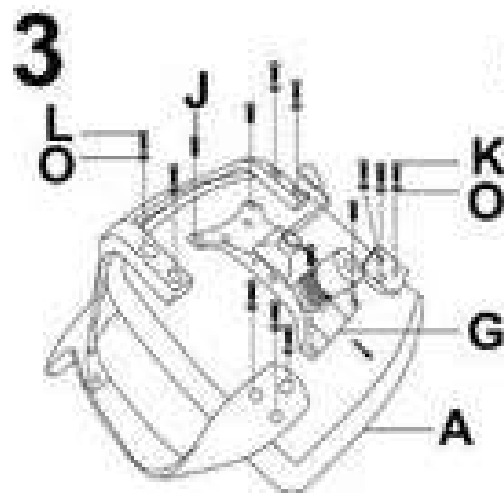
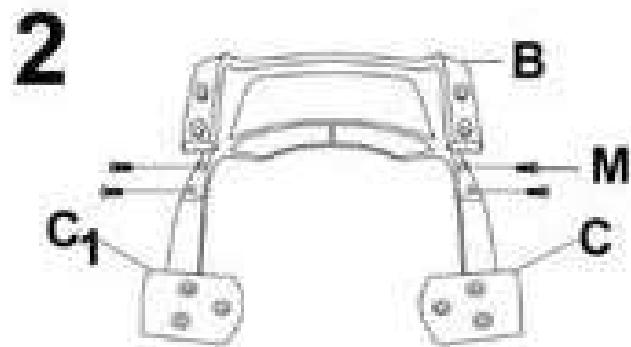
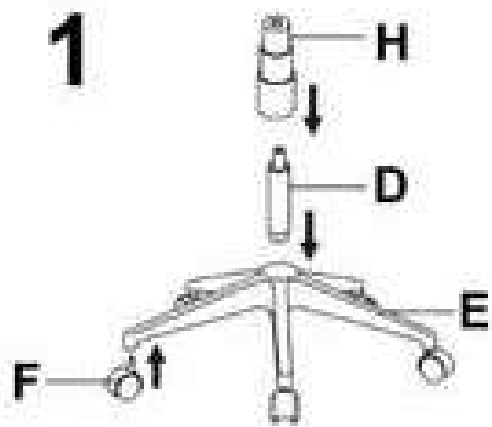


VOYAGER



P	—	1
---	---	---

A		1
B		1
C		1
C ₁		1
D		1
E		1
F		5
G		1
H		1
I		1
J		4
K		6
L		4
M		4
N		4
O		10