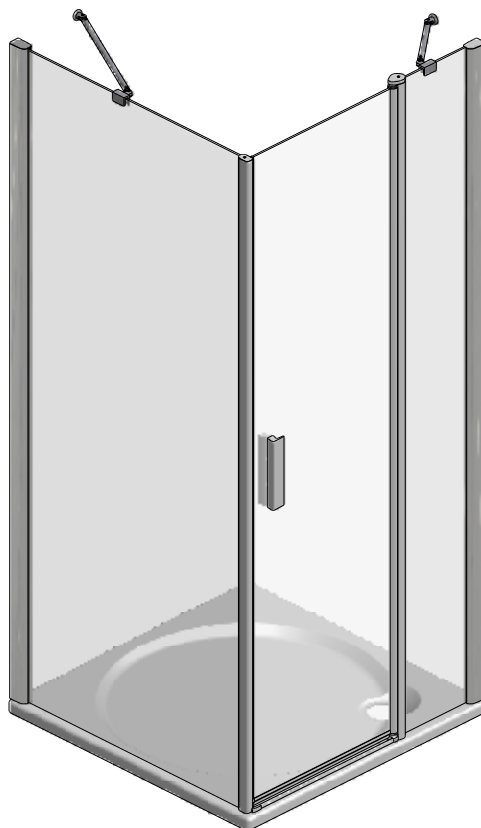


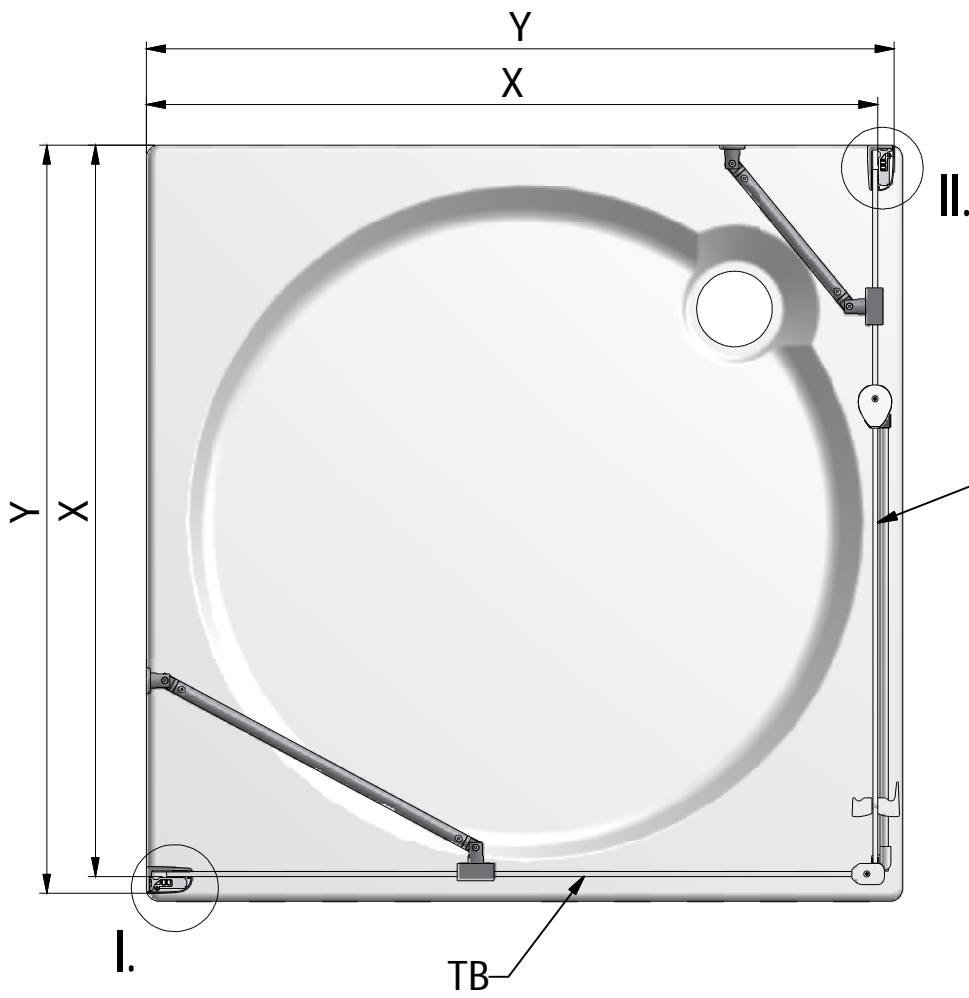
TB+TDO1



TB+TCO1

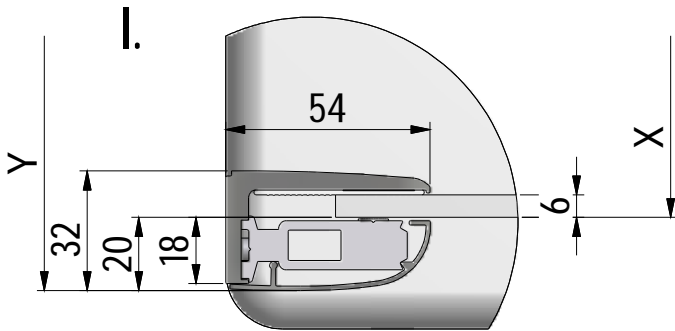
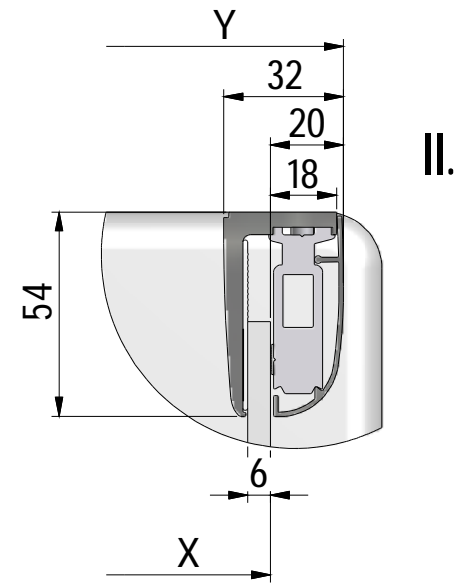


TB+TDO1



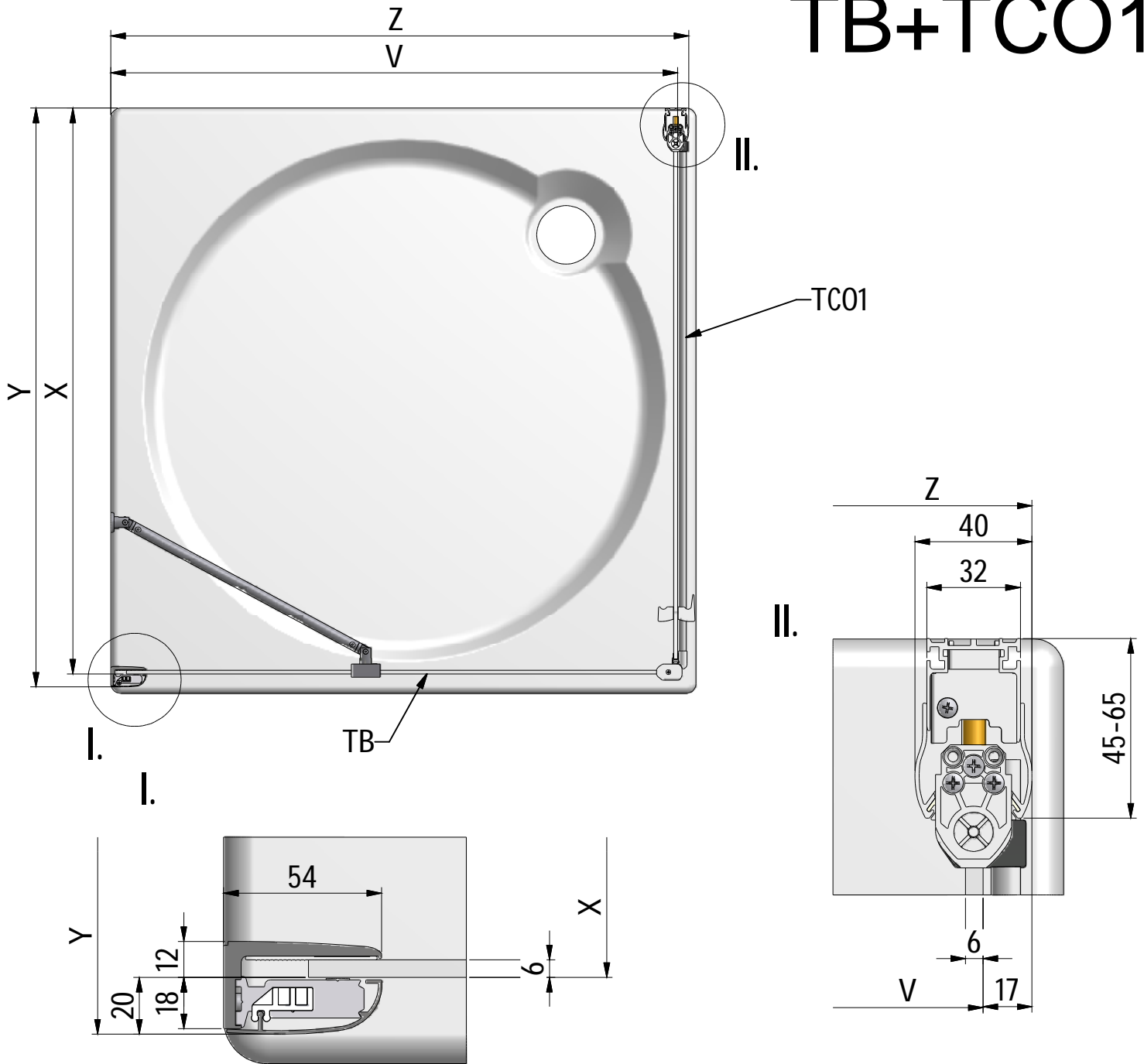
TD01

TB

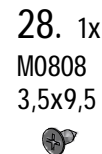
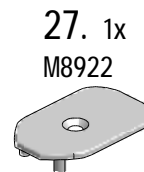
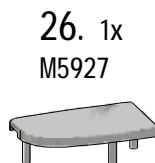
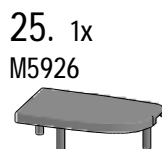
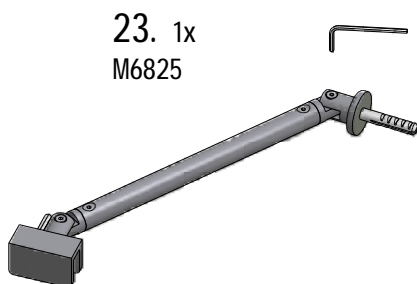
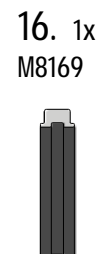
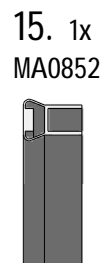
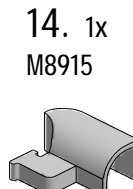
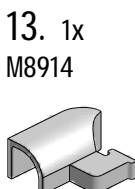
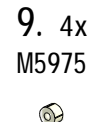
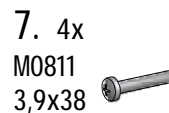
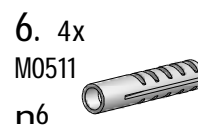
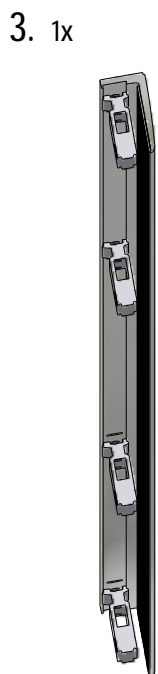
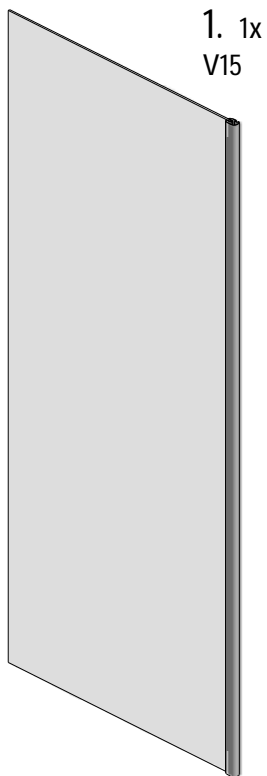


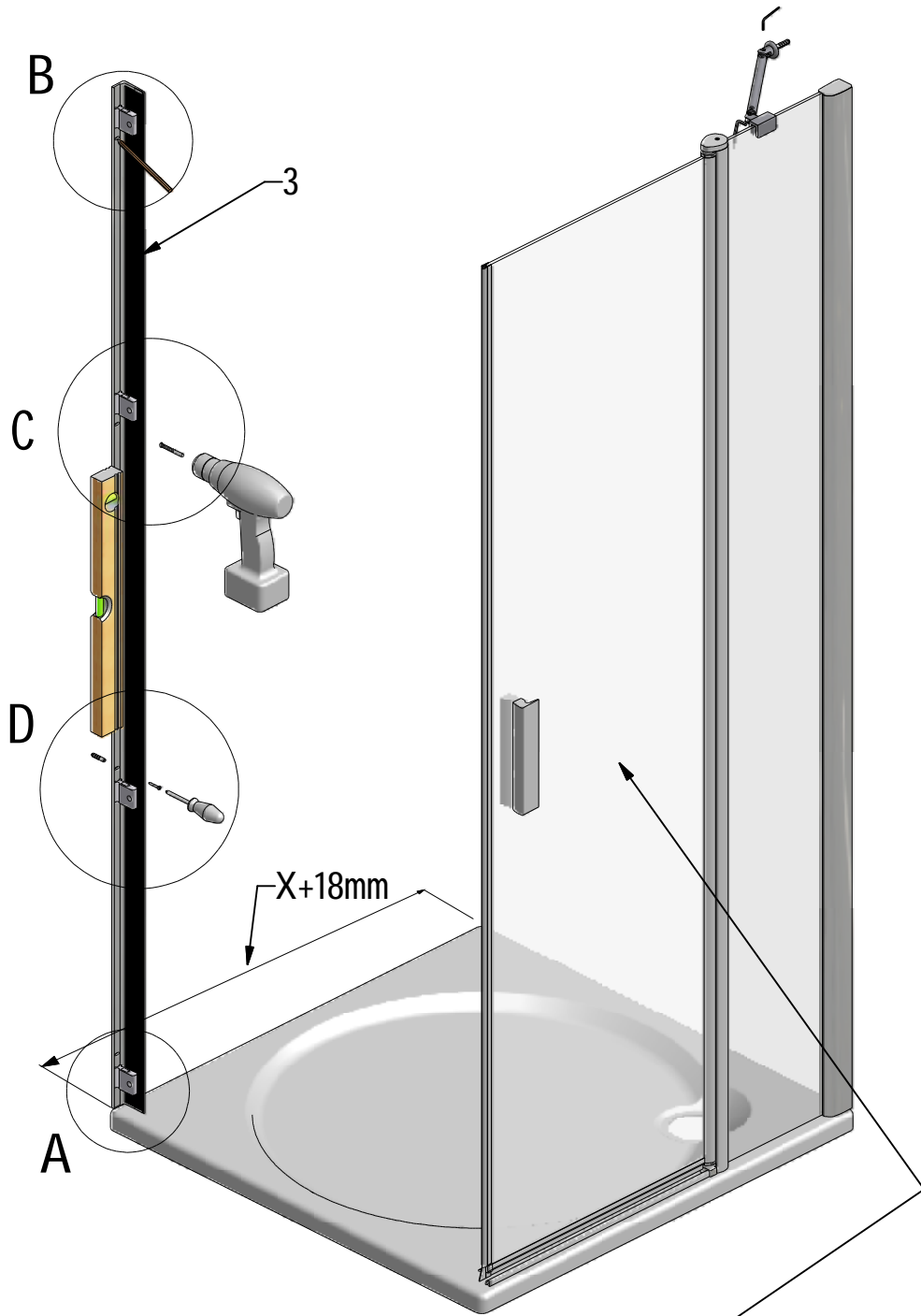
	X (mm)		Y (mm)	
	MIN	MAX	MIN	MAX
700	655	670	675	690
750	705	720	725	740
800	755	770	775	790
900	855	870	875	890
1000	955	970	975	990

TB+TC01

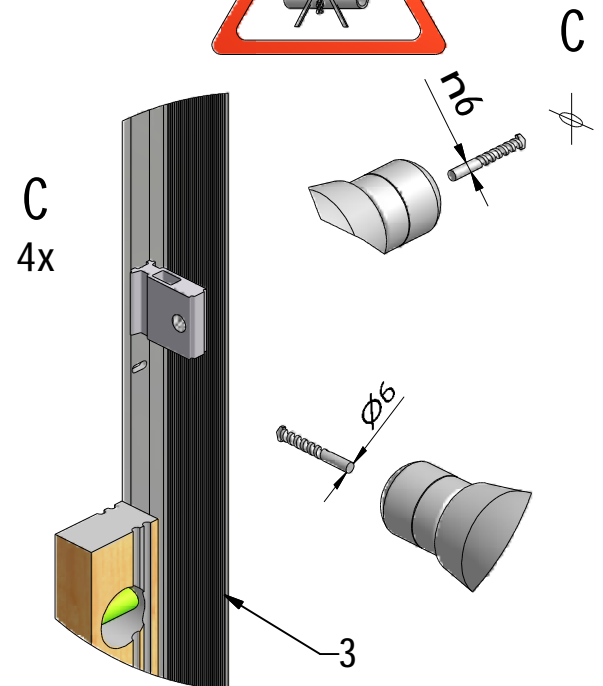
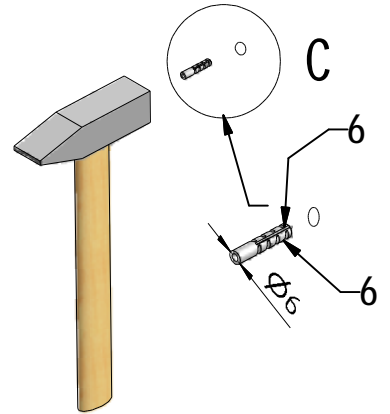
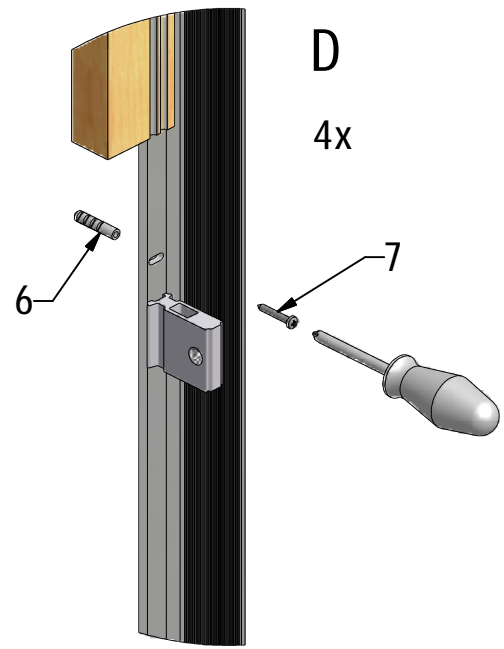
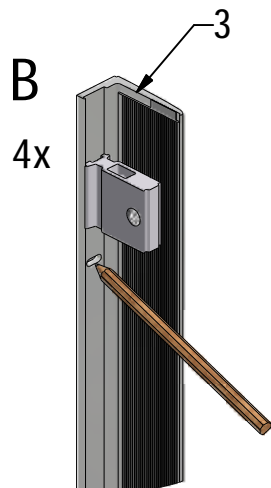
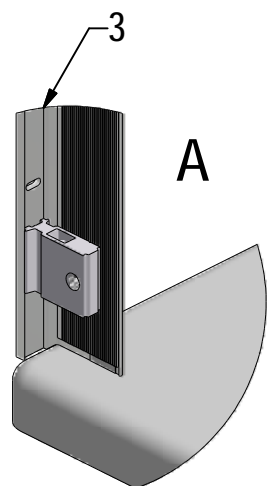


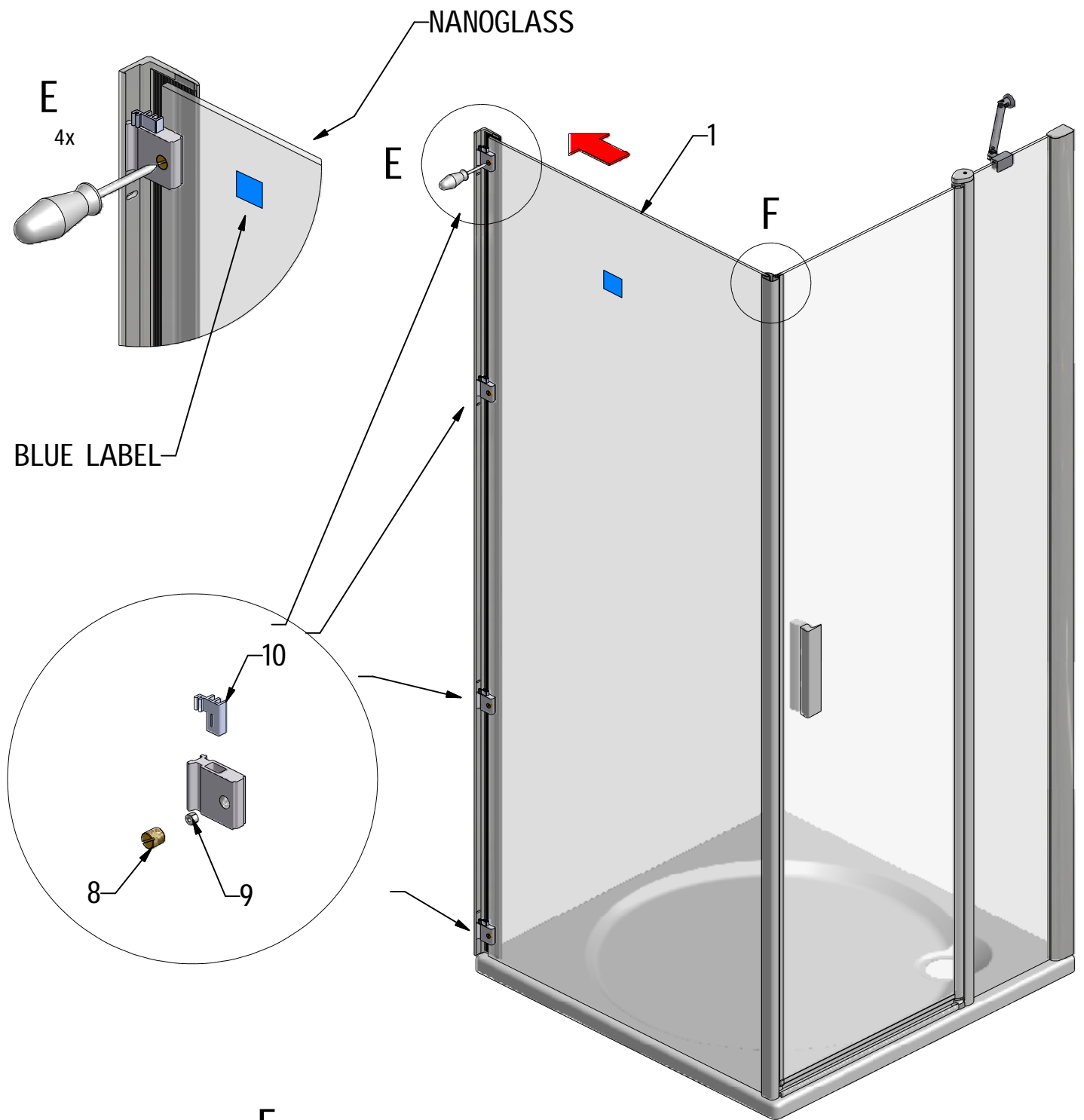
	TC01				TB			
	X(mm)		Y(mm)		V(mm)		Z(mm)	
	MIN	MAX	MIN	MAX	MIN	MAX	MIN	MAX
700	-	-	-	-	650	670	667	687
750	-	-	-	-	700	720	717	737
800	765	780	785	800	750	770	767	787
900	865	880	885	900	850	870	867	887
1000	965	980	985	1000	950	970	967	987



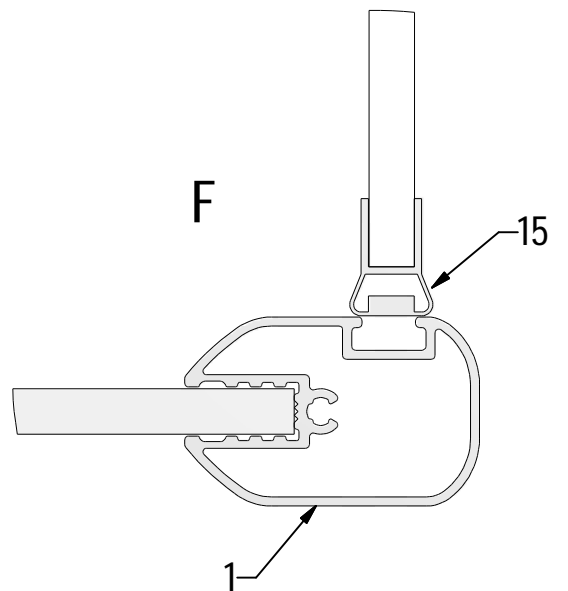
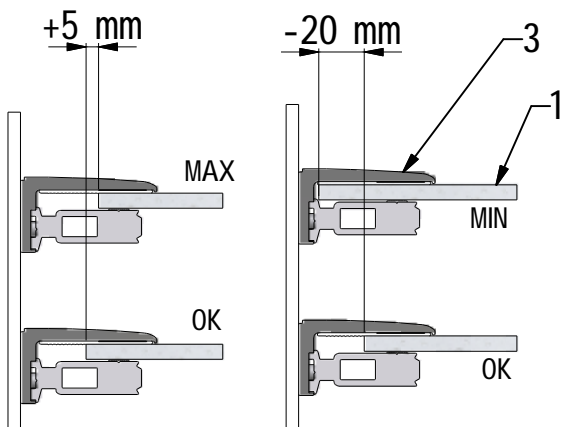


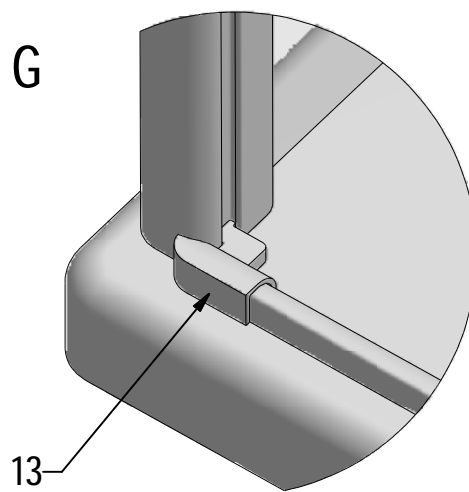
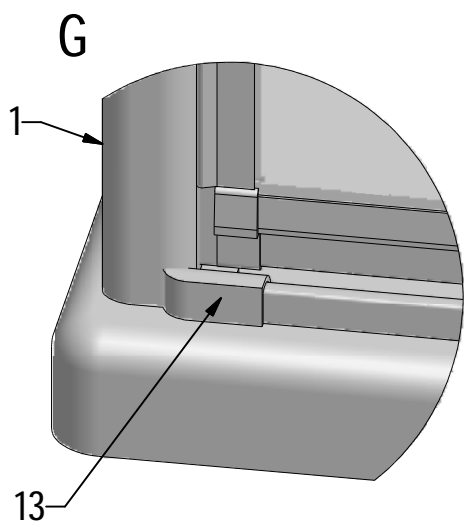
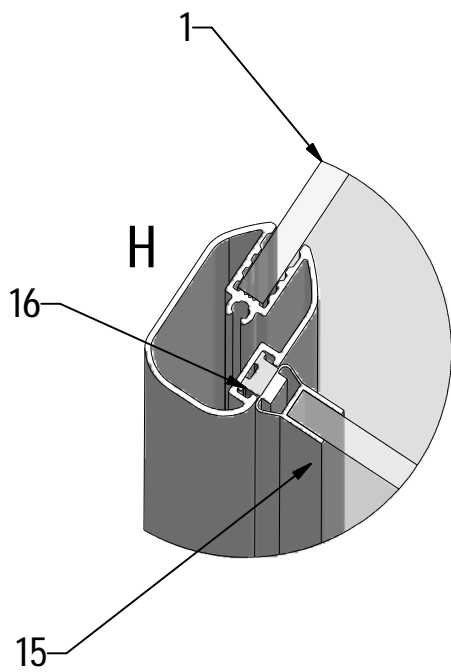
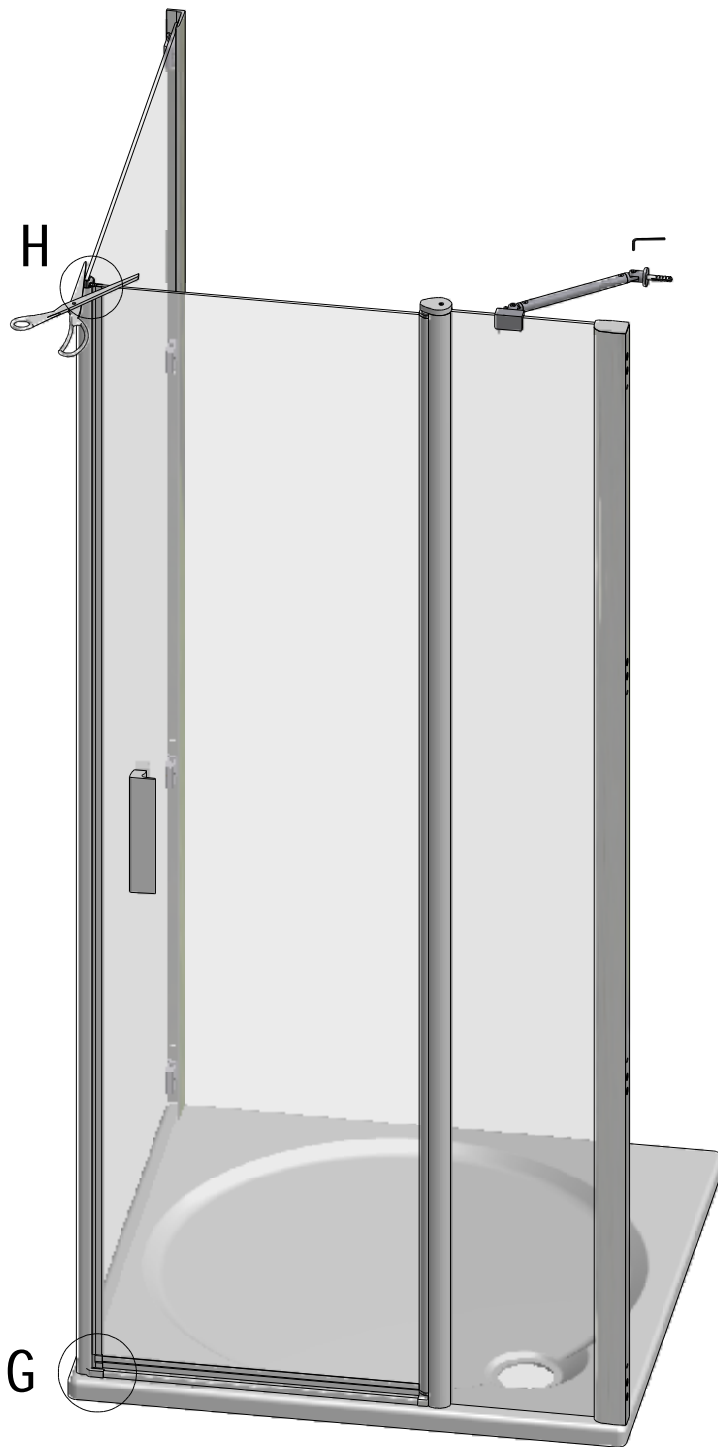
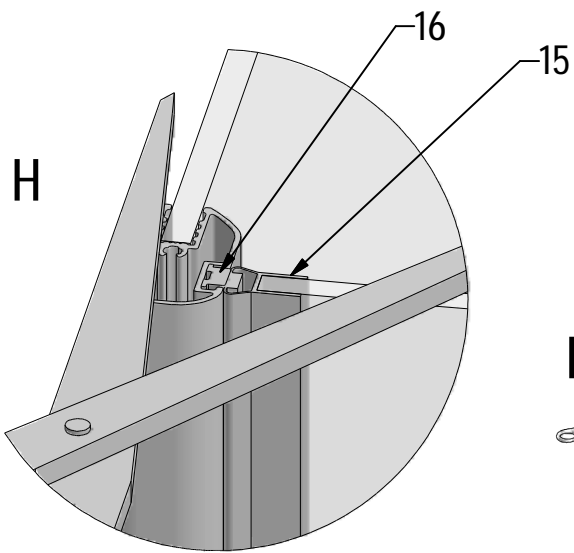
manual TD01 (TC01)

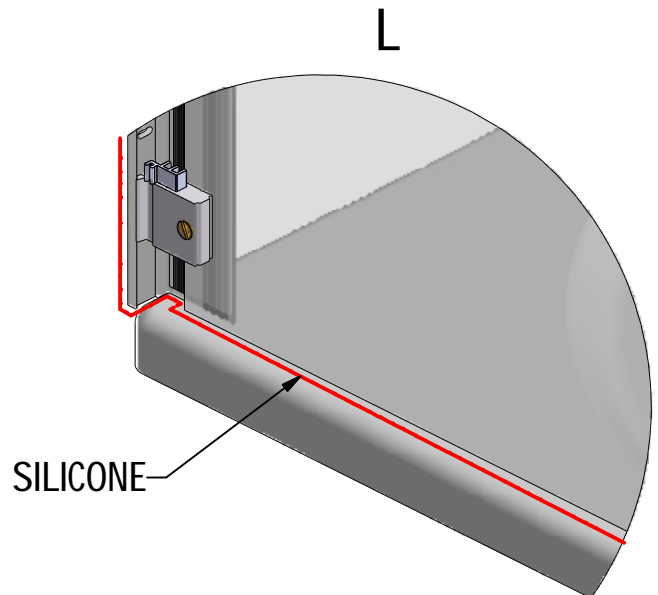
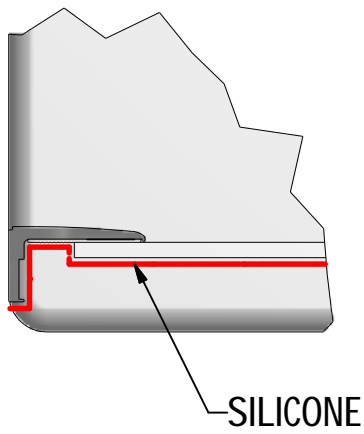
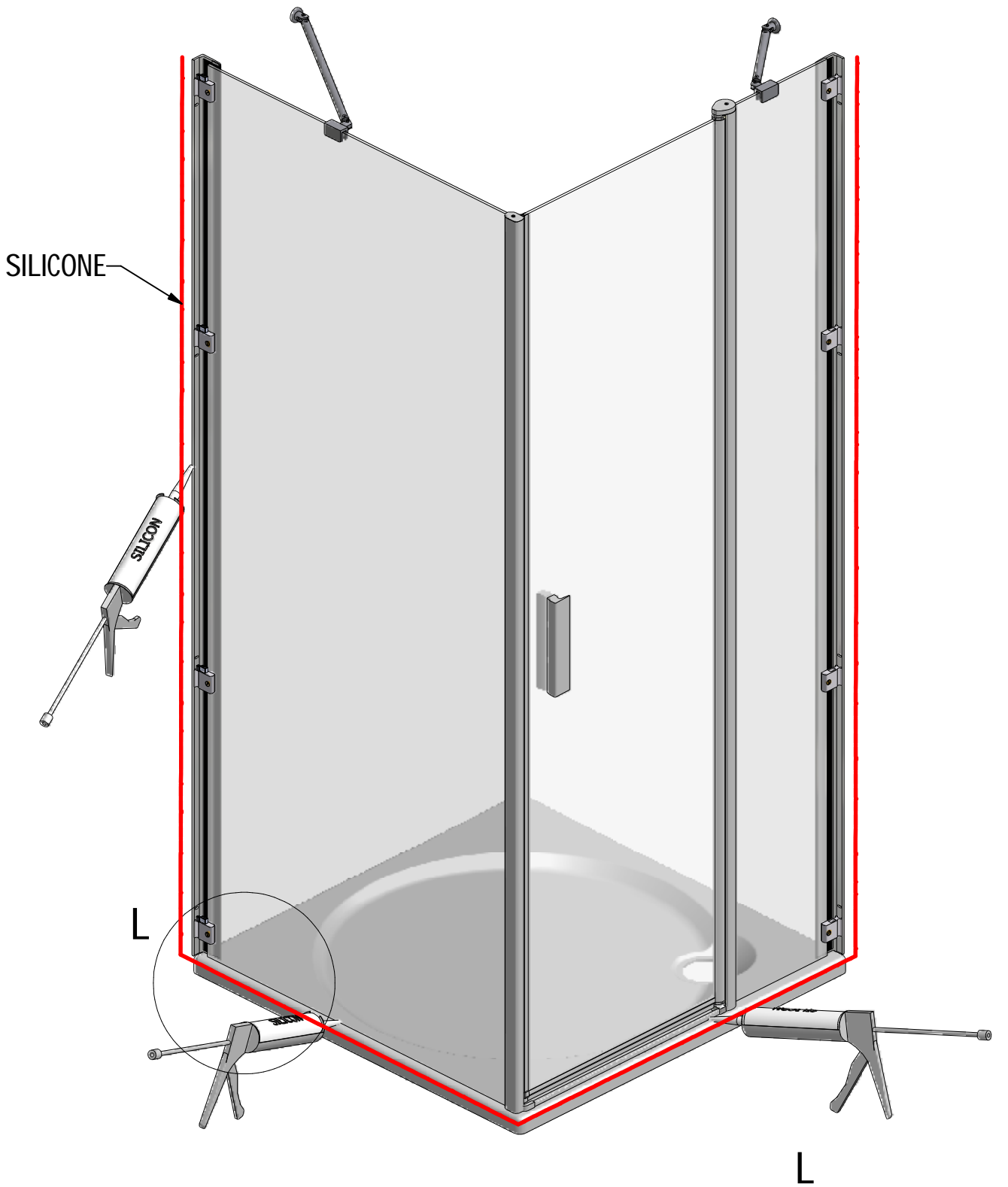


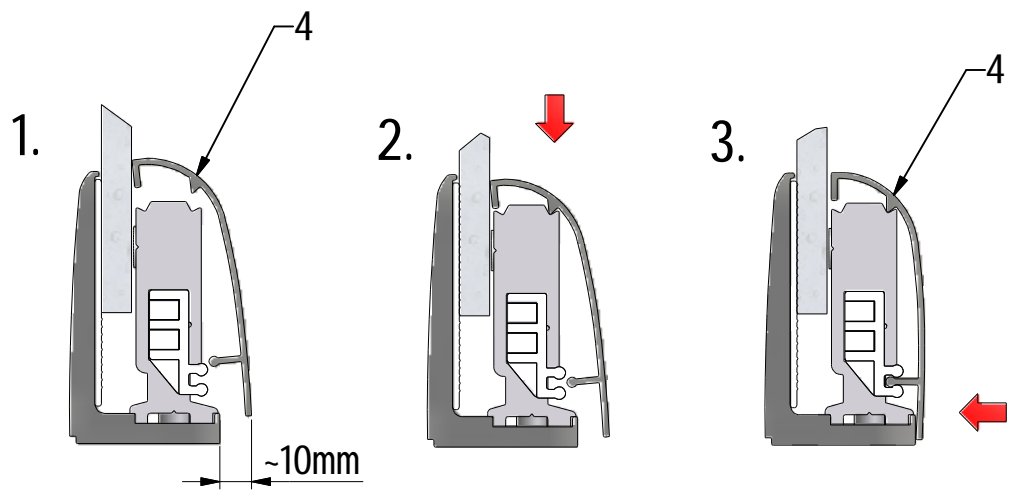
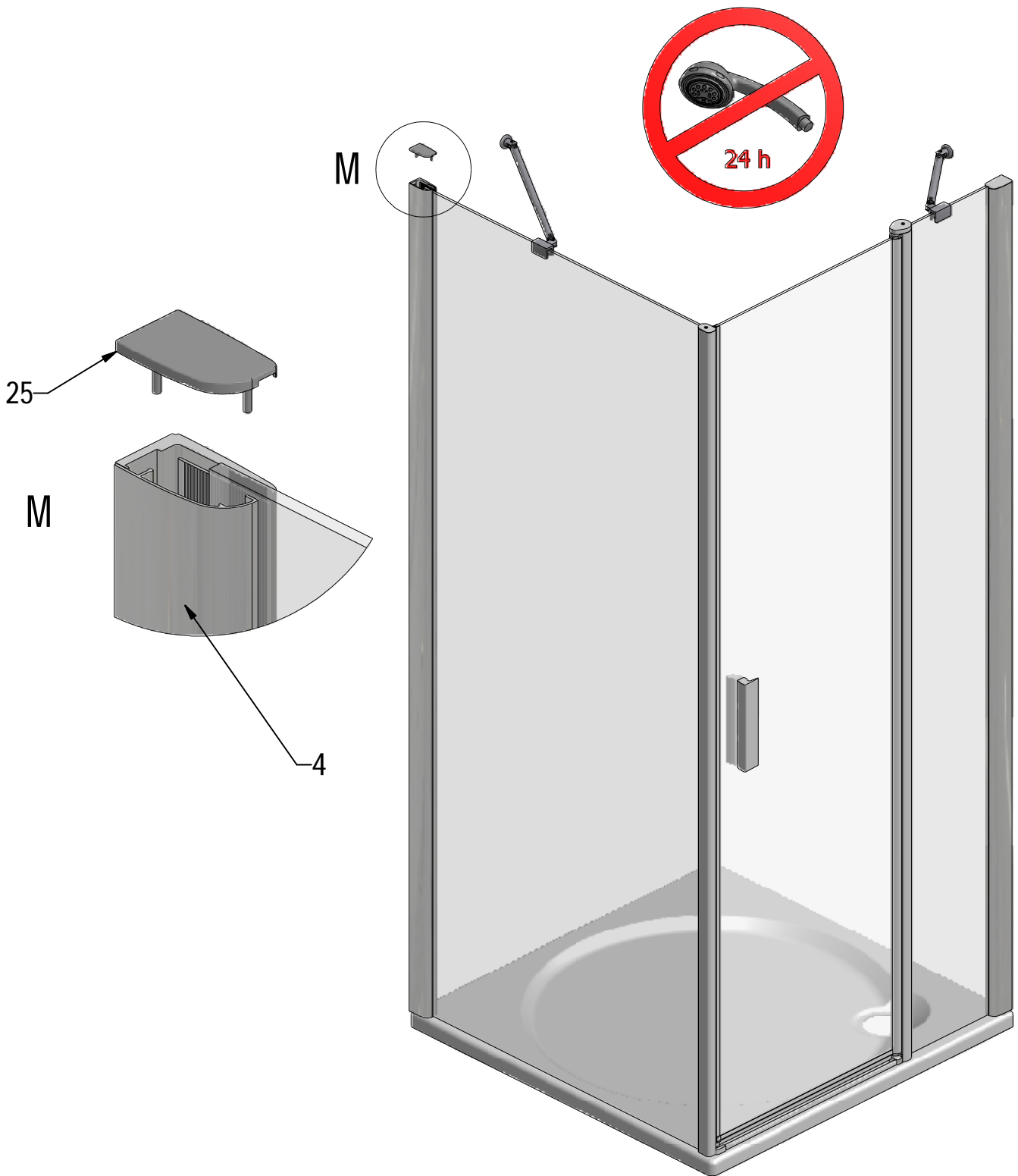


E

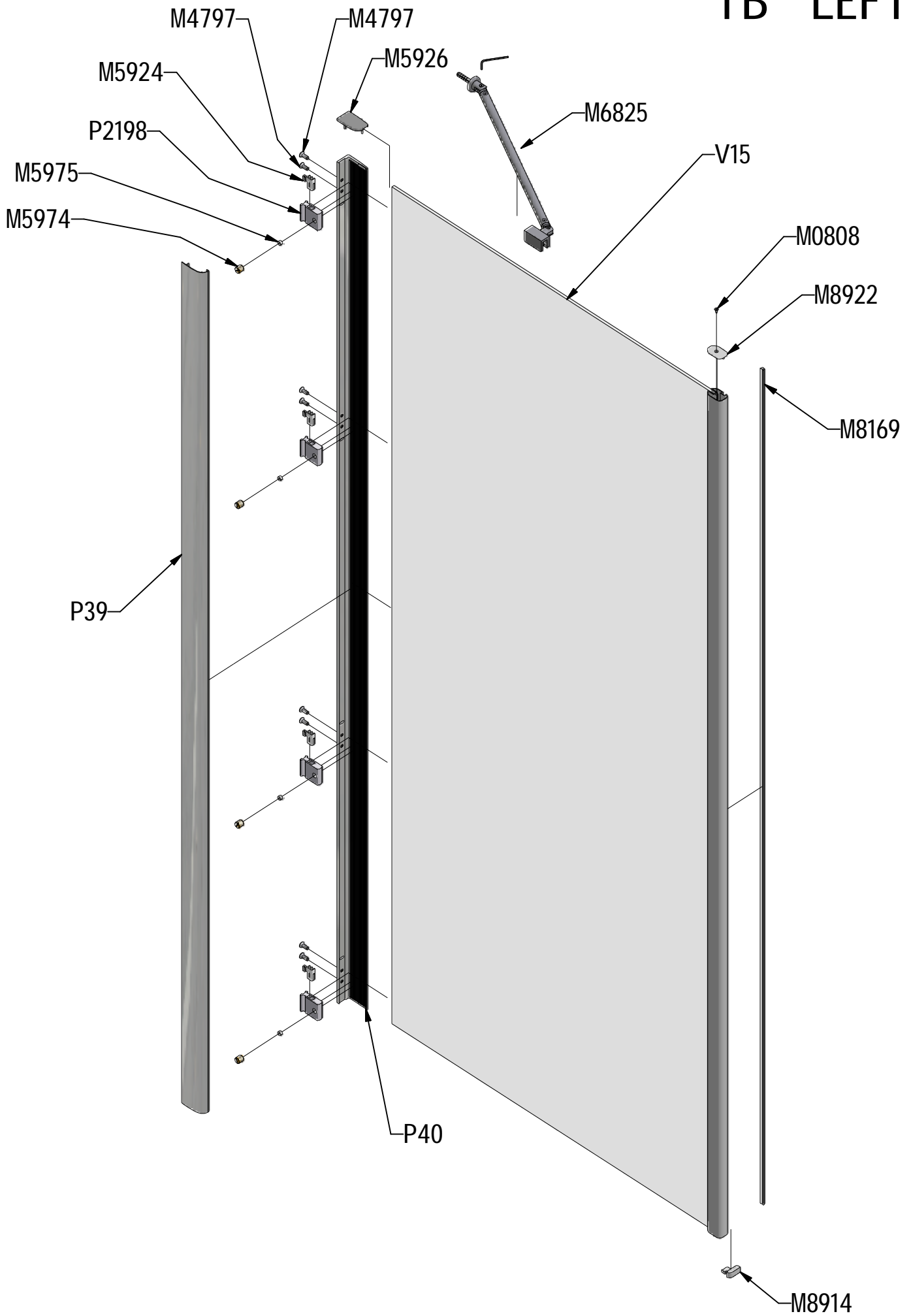




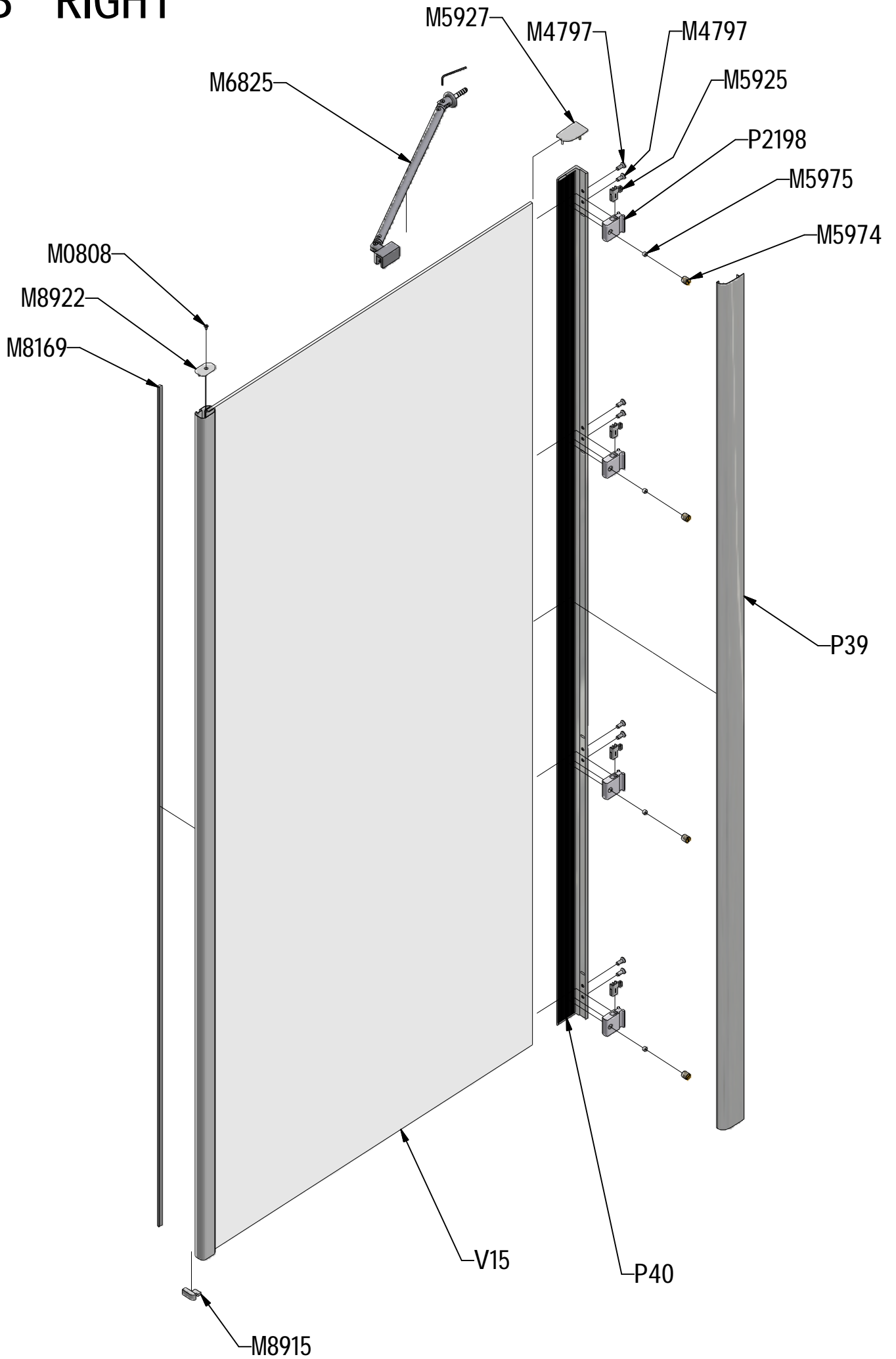




TB LEFT



TB RIGHT



P39		brillant	P2206
		elox	P2208
P40		brillant	ND01-0996-00
		elox	ND01-0996-01

V15	700	brillant+clear glass	brillant+čiré sklo	ND03-0347-00-02
		elox+clear glass	elox+čiré sklo	ND03-0347-01-02
	750	brillant+clear glass	brillant+čiré sklo	ND03-0348-00-02
		elox+clear glass	elox+čiré sklo	ND03-0348-01-02
	800	brillant+clear glass	brillant+čiré sklo	ND03-0349-00-02
		brillant+intima glass left	brillant+intima levé	ND03-0349-00-20-L
		brillant+intima glass right	brillant+intima pravé	ND03-0349-00-20-P
		elox+clear glass	elox+čiré sklo	ND03-0349-01-02
		elox+intima glass left	elox+intima levé	ND03-0349-01-20-L
		elox+intima glass right	elox+intima pravé	ND03-0349-01-20-P
	900	brillant+clear glass	brillant+čiré sklo	ND03-0350-00-02
		brillant+intima glass left	brillant+intima levé	ND03-0350-00-20-L
		brillant+intima glass right	brillant+intima pravé	ND03-0350-00-20-P
		elox+clear glass	elox+čiré sklo	ND03-0350-01-02
		elox+intima glass left	elox+intima levé	ND03-0350-01-20-L
		elox+intima glass right	elox+intima pravé	ND03-0350-01-20-P
	1000	brillant+clear glass	brillant+čiré sklo	ND03-0351-00-02
		brillant+intima glass left	brillant+intima levé	ND03-0351-00-20-L
		brillant+intima glass right	brillant+intima pravé	ND03-0351-00-20-P
		elox+clear glass	elox+čiré sklo	ND03-0351-01-02
		elox+intima glass left	elox+intima levé	ND03-0351-01-20-L
		elox+intima glass right	elox+intima pravé	ND03-0351-01-20-P



**ROLTECHNIK a.s. / Třebov 160 / 569 33,
CZECH REPUBLIC**

10

EN 14428:2008+A1