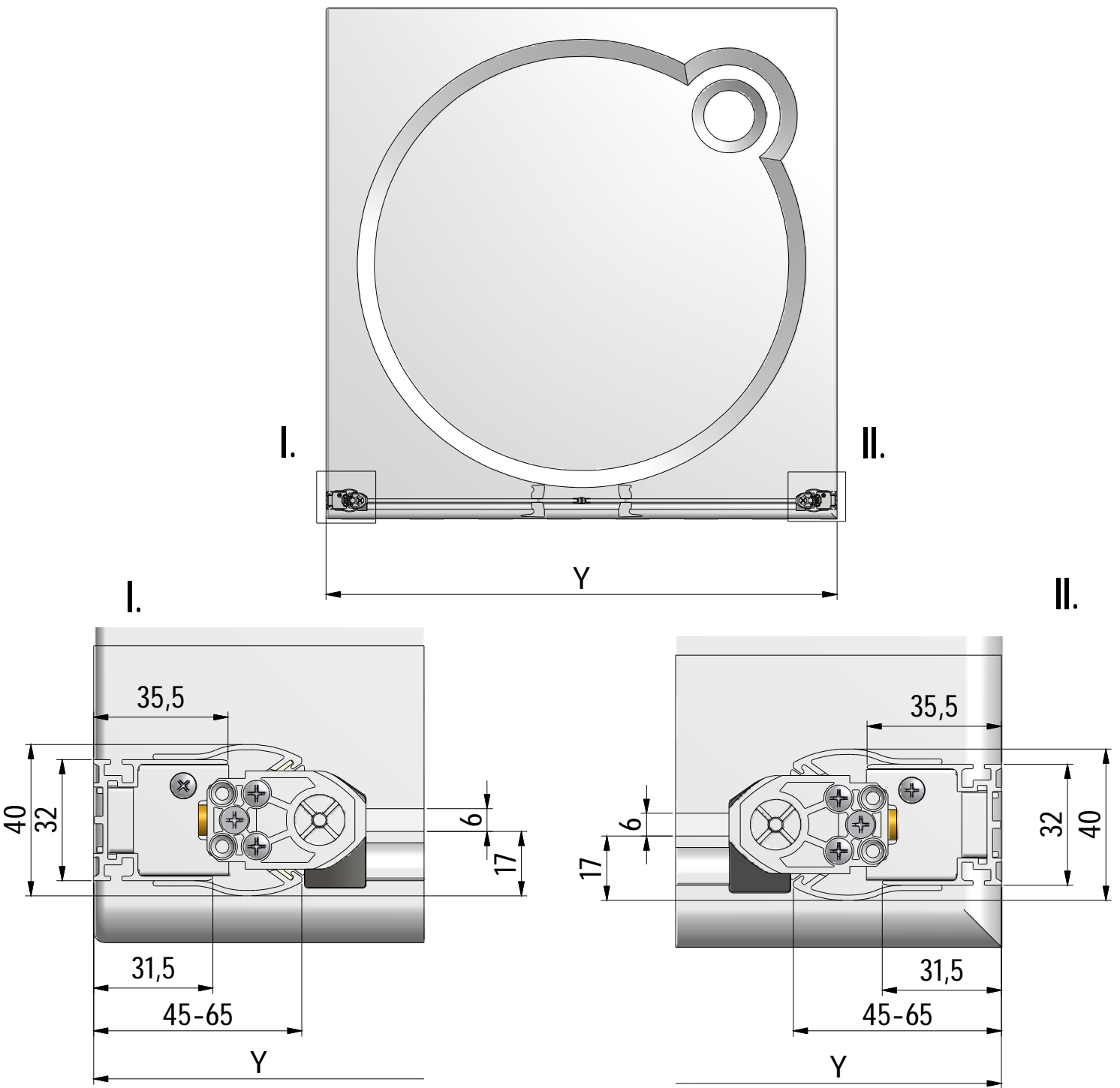


TCN2



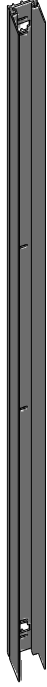


TCN2	Y (mm)	
	MIN	MAX
800	780	820
900	880	920
1000	980	1020
1100	1080	1120
1200	1180	1220

2.2x
V67



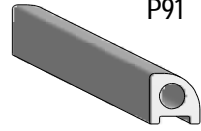
3. 2x
P41



4. 2x
P42



5. 1x
P91



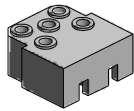
6. 12x
M0511
n6



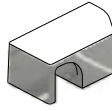
7. 12x
M0811
3,9x38



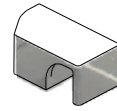
12. 2x
M8833



13. 1x
M8835



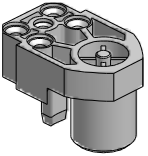
14. 1x
M8834



15. 4x
M0797
3,5x45



16. 2x
M0547



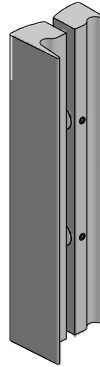
17. 4x
M0793
3,5x25



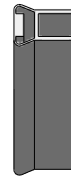
18. 2x
M1916



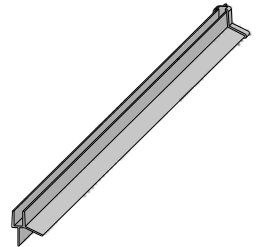
19. 2x
P3010



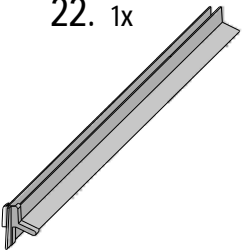
20. 2x
MA0852



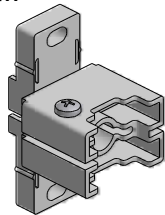
21. 1x



22. 1x



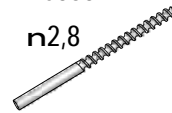
23. 4x
M0522



24. 12x
M0768



25. 1x
M0838
n2,8



26. 8x
M0806
n3,5x9,5



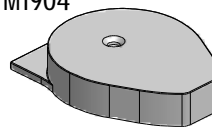
27. 8x
M1907



28. 2x
M1893



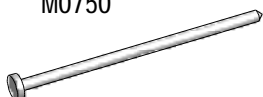
29. 2x
M1904

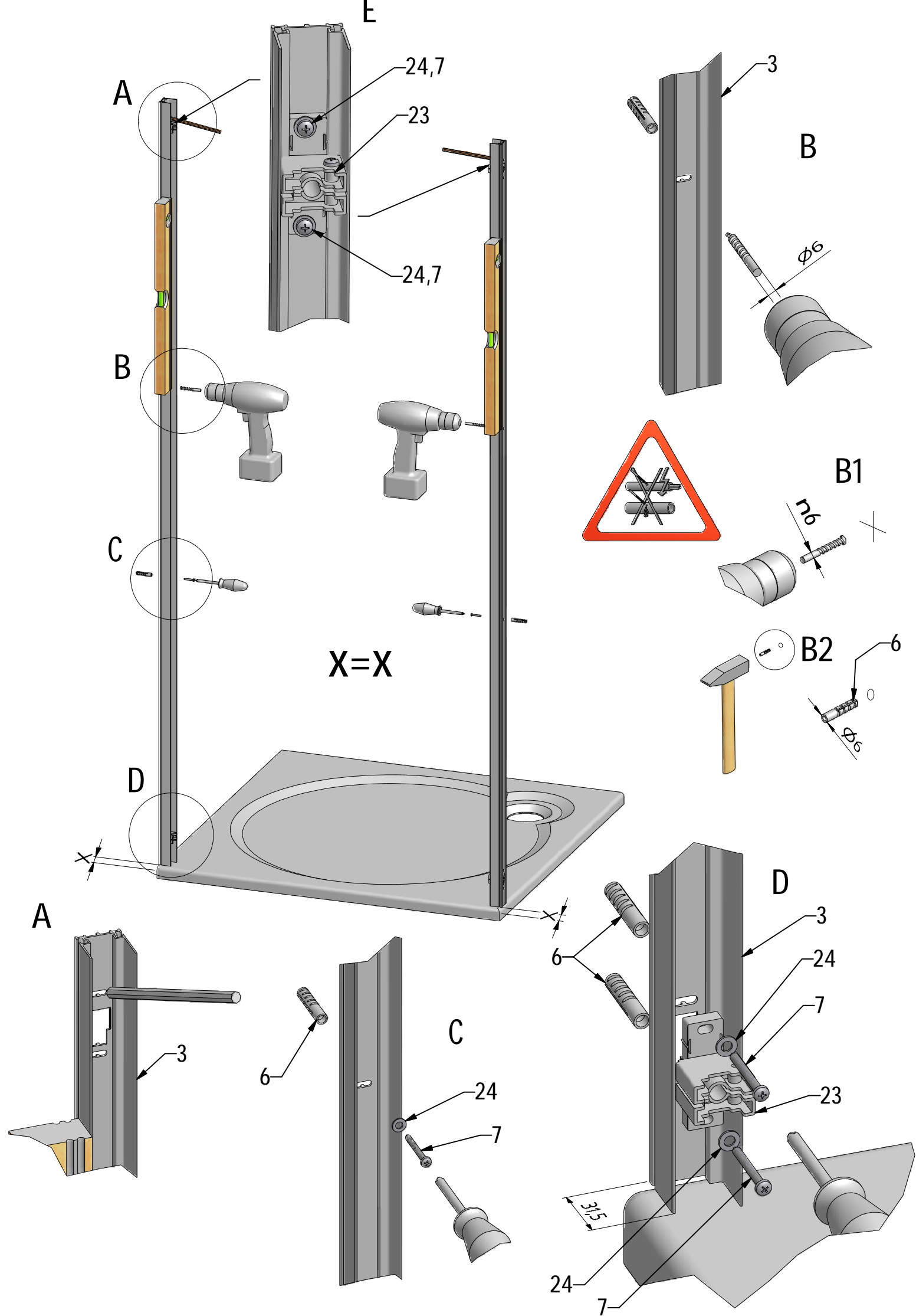


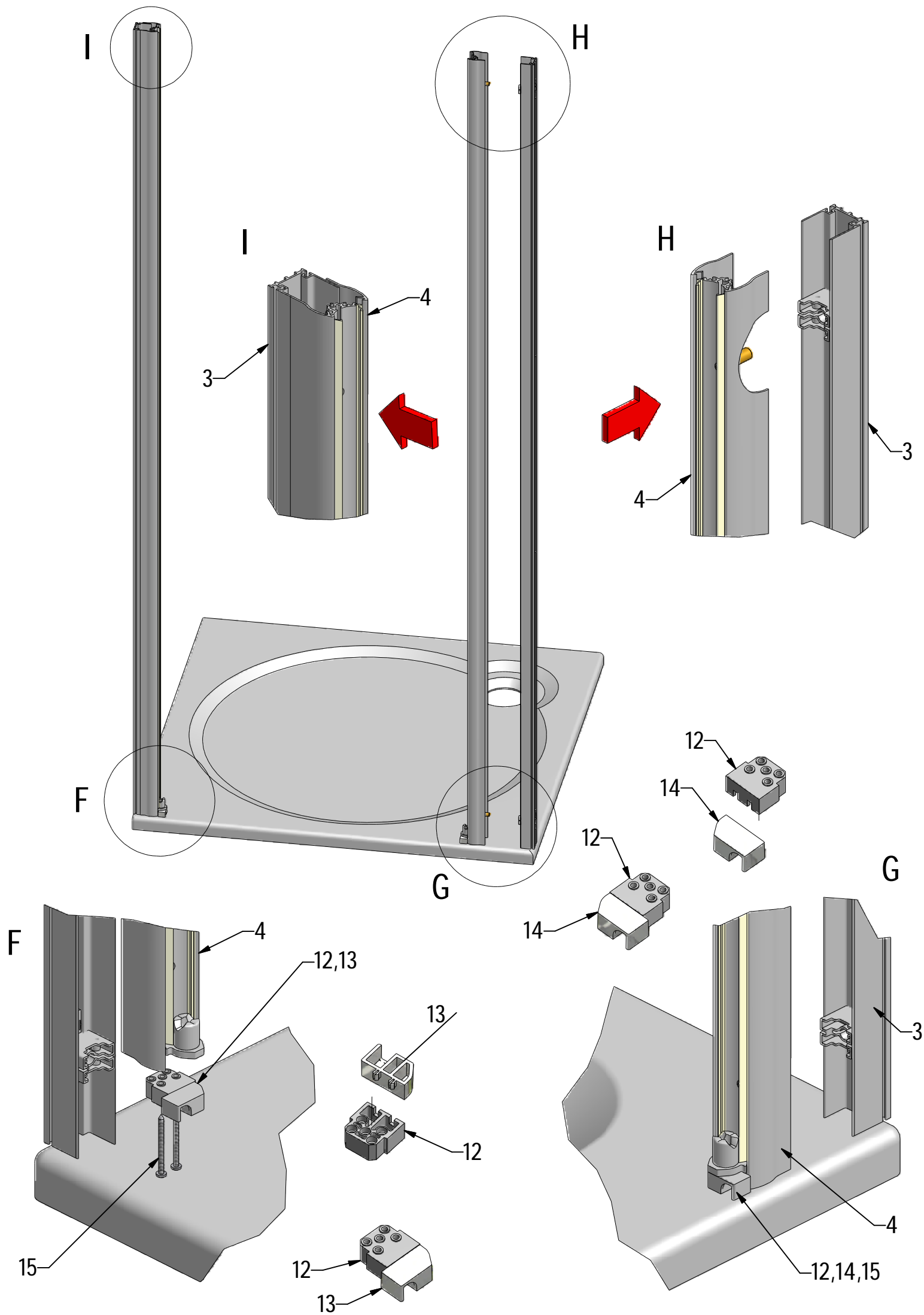
30. 2x
M0800
3,5x45



1x
M0750



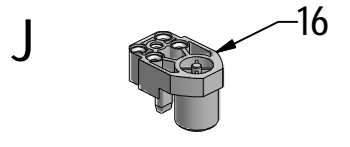
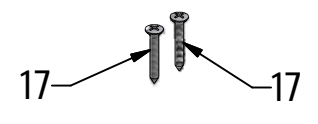




N

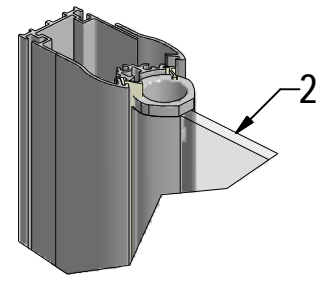
NANOGLASS

BLUE LABEL



NANOGLASS

NANOGLASS

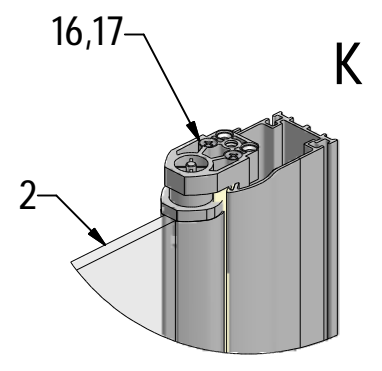
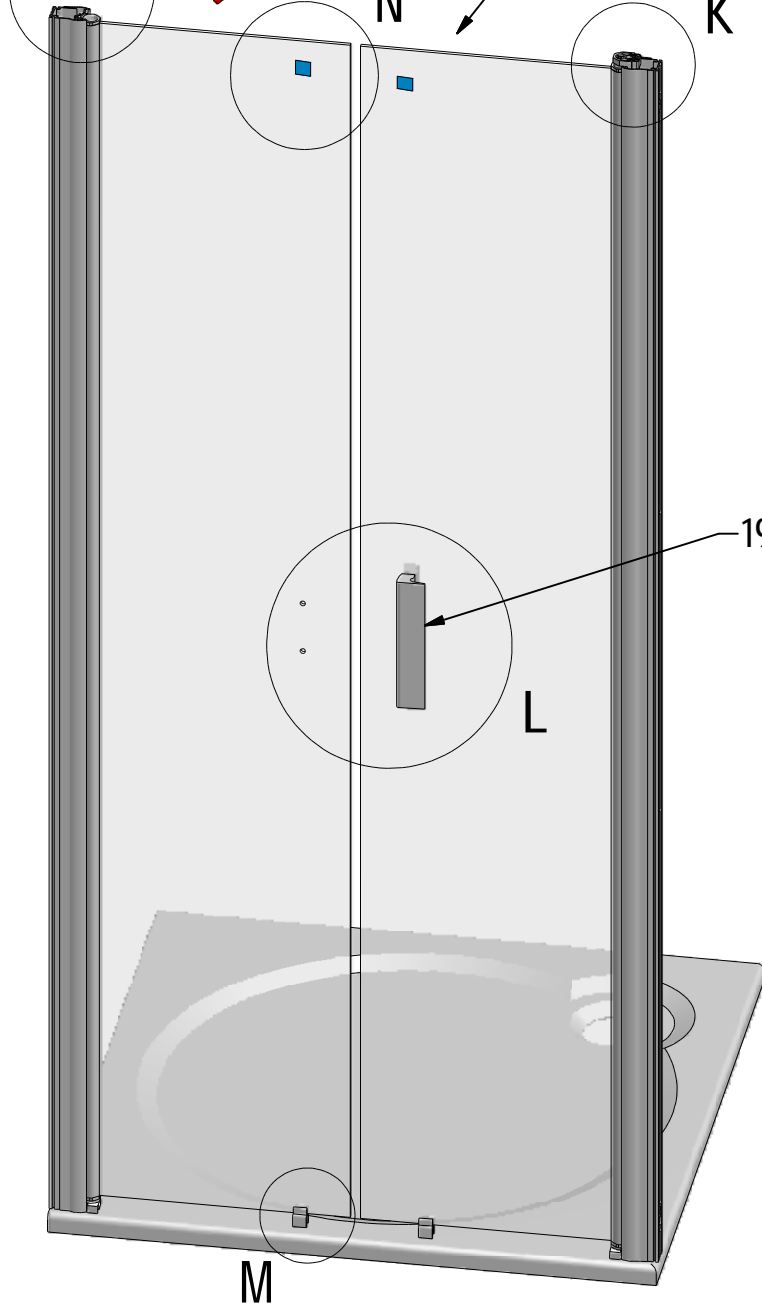


J



N

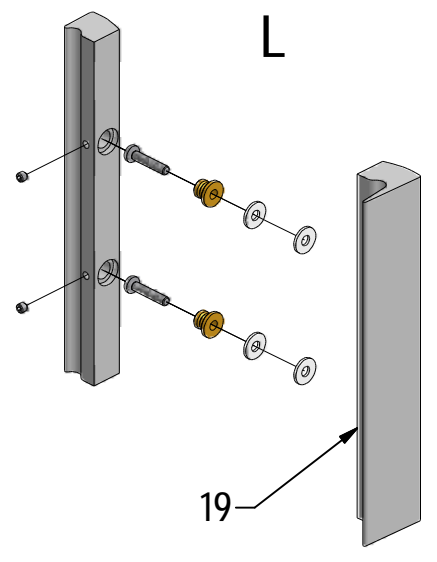
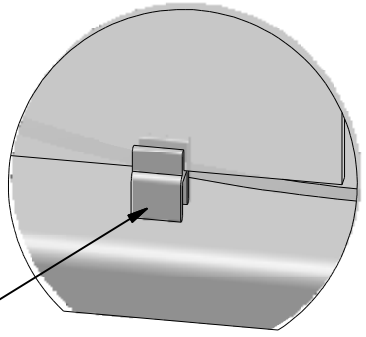
K

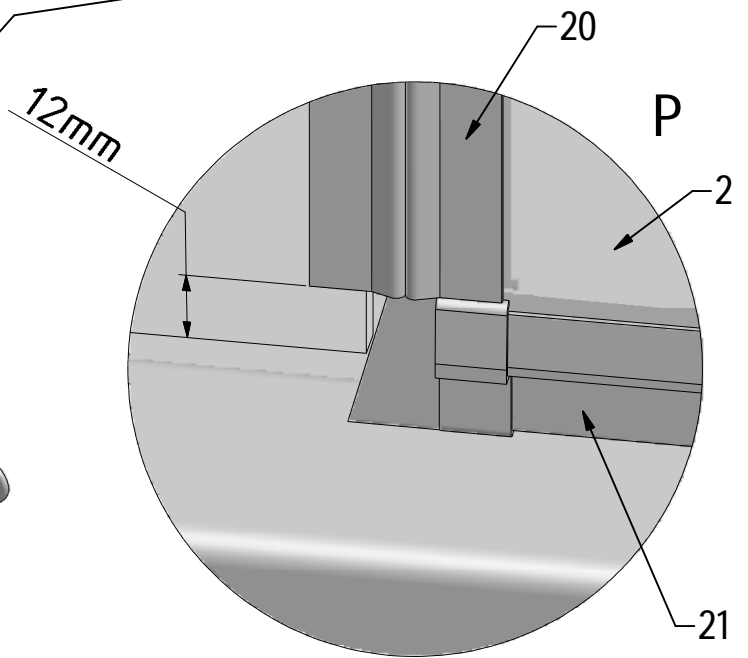
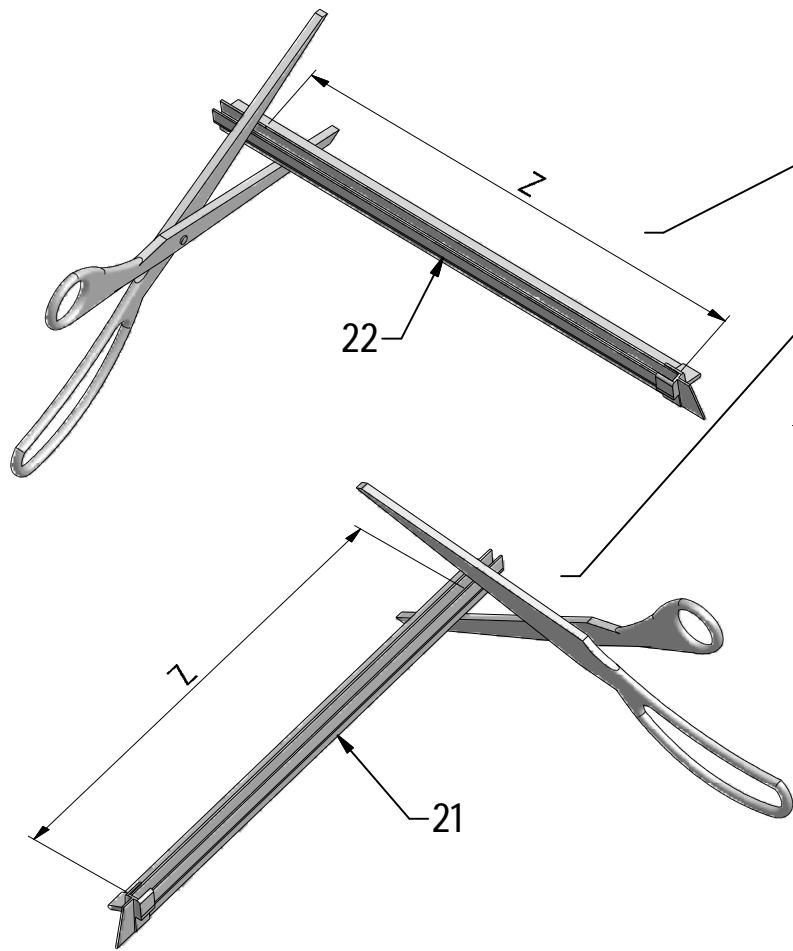
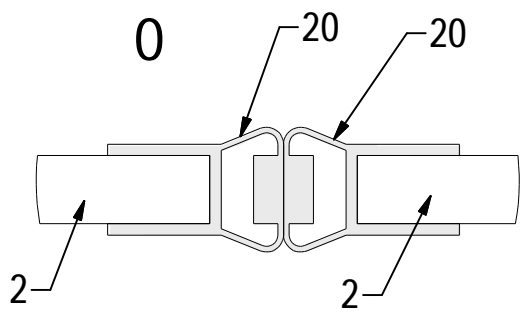
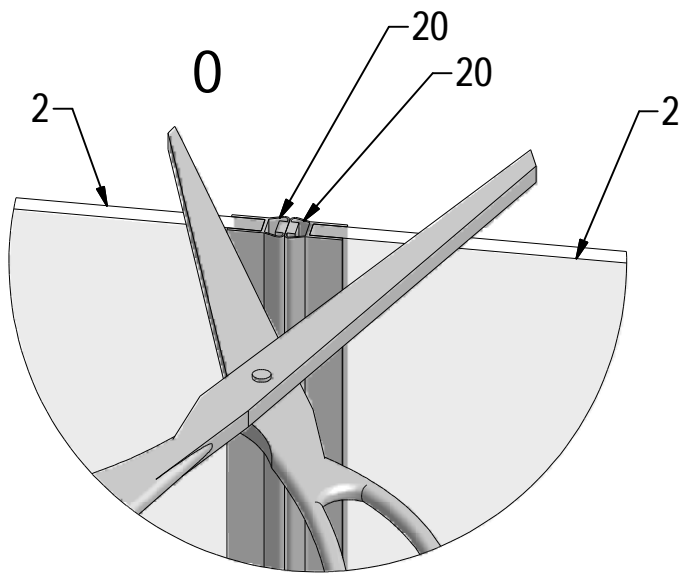


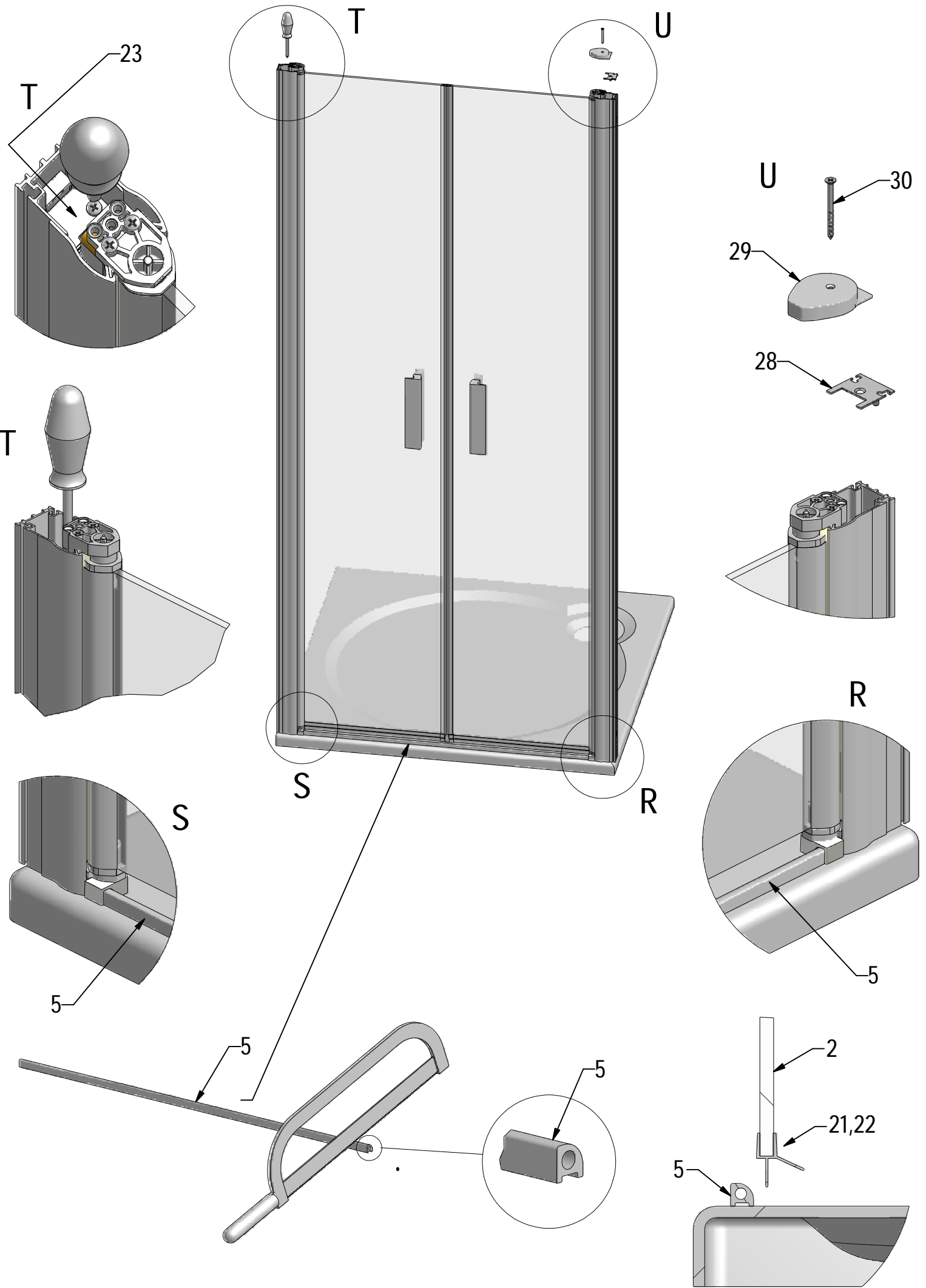
M

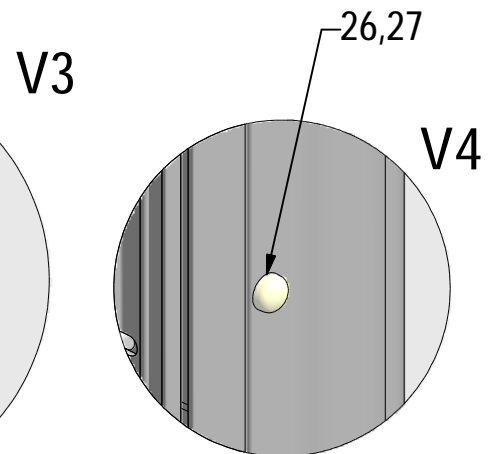
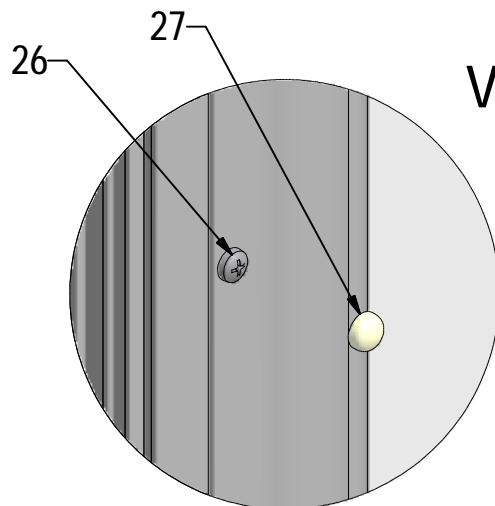
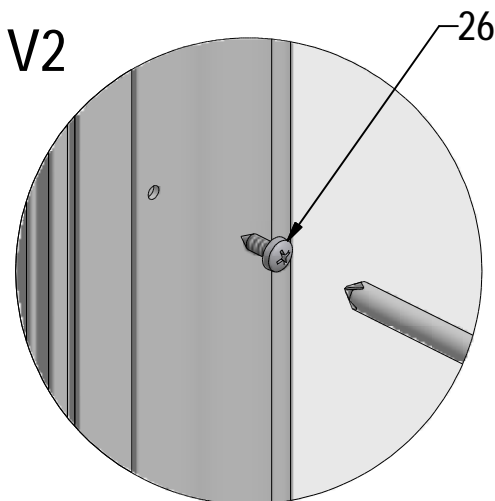
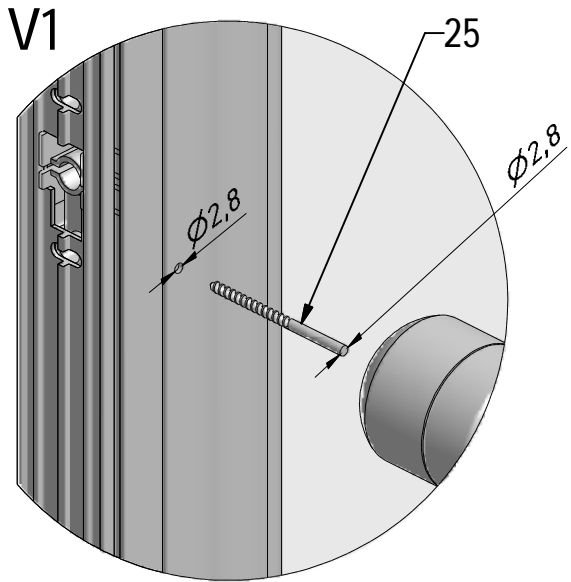
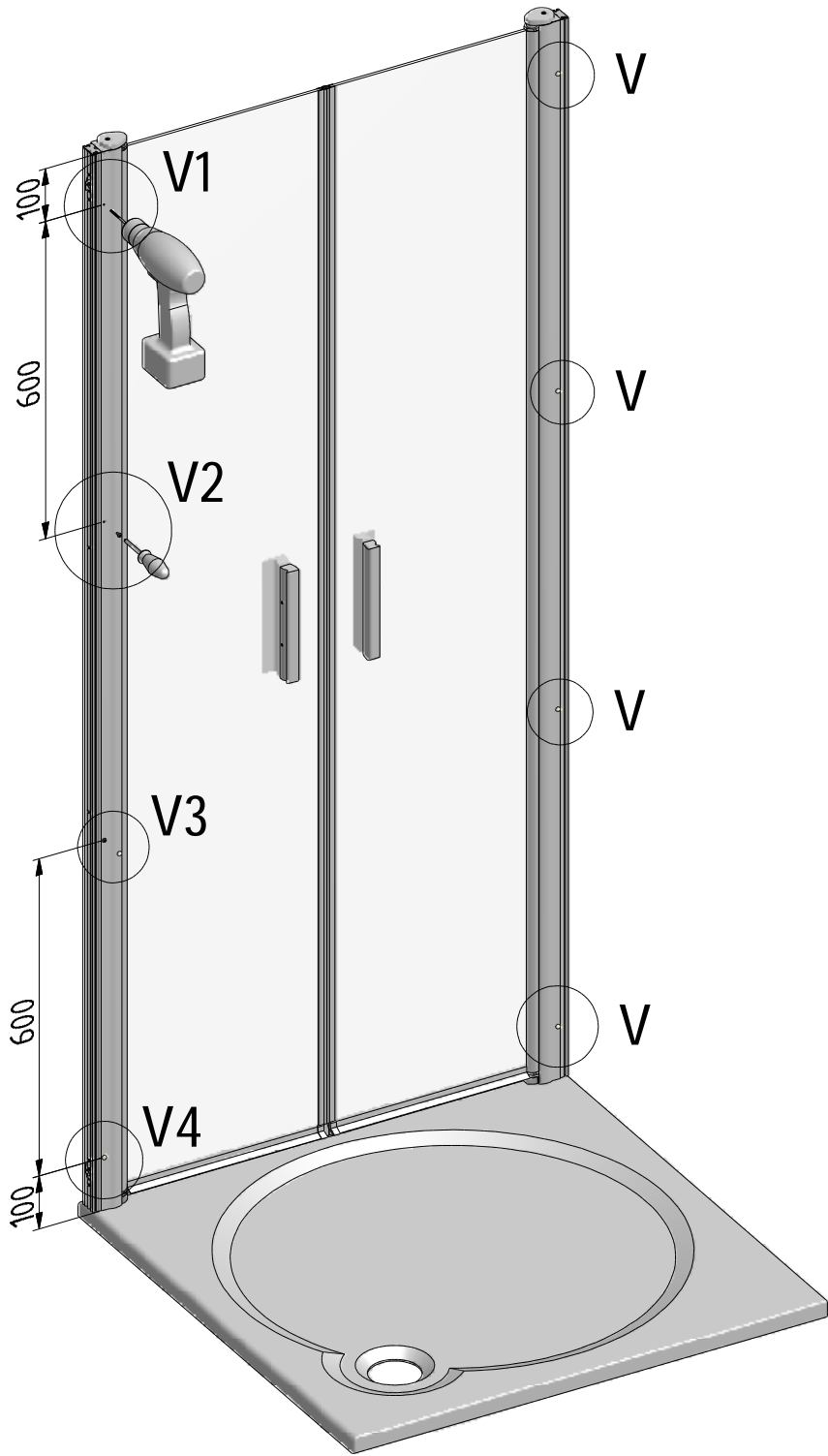
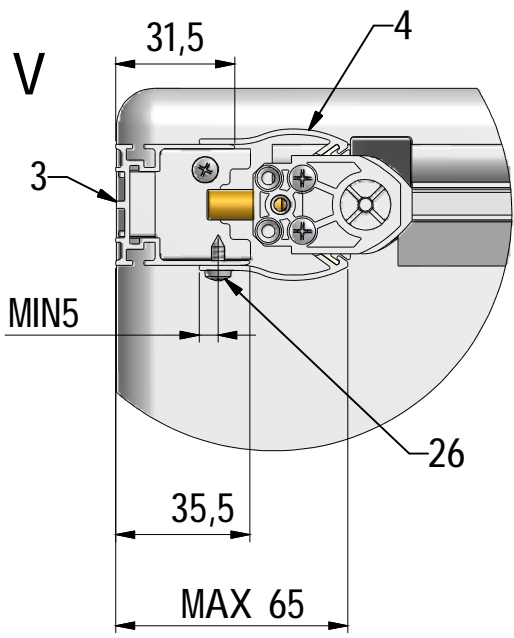
M

18



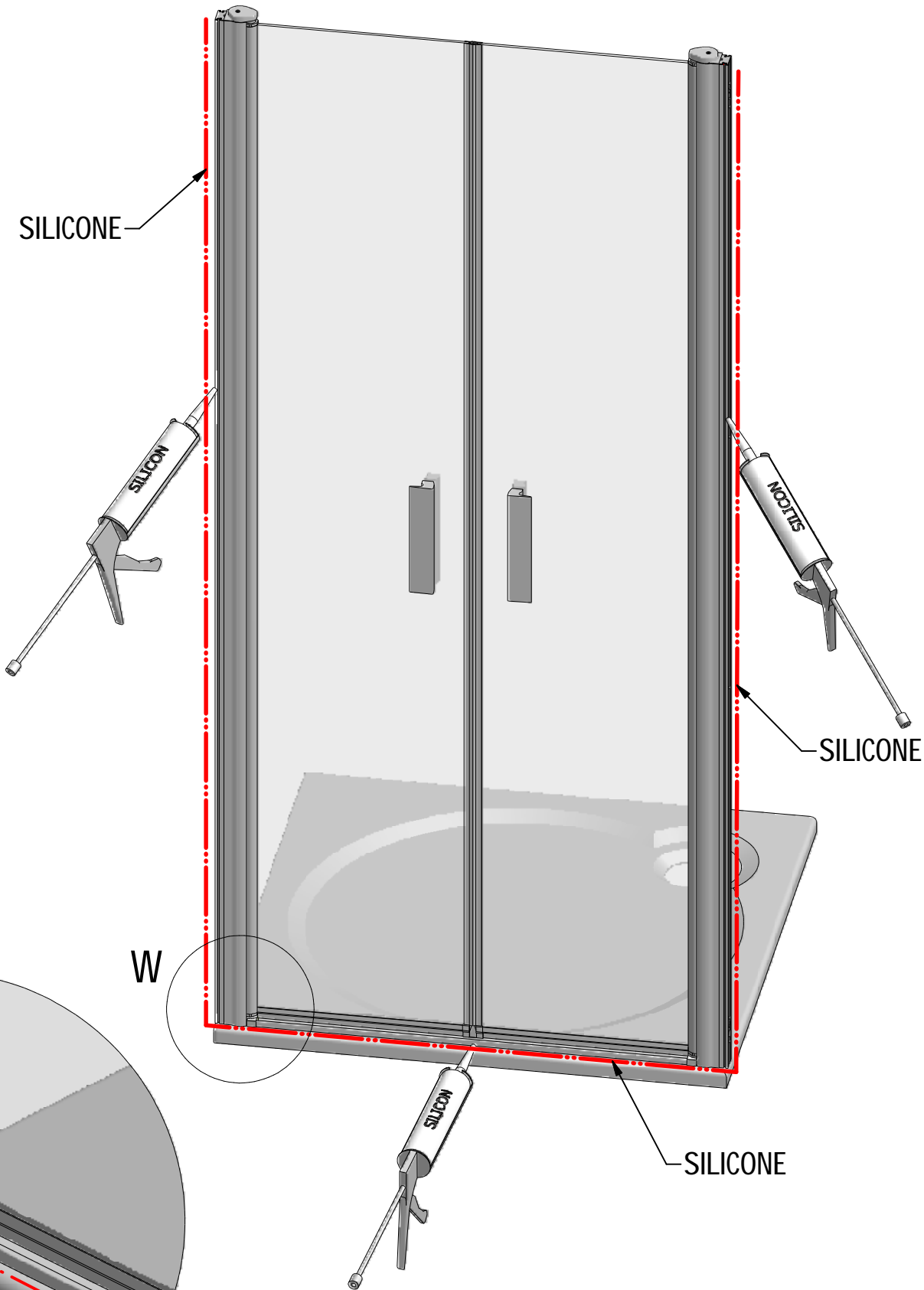








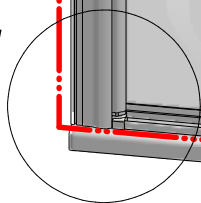
SILICONE



SILICONE

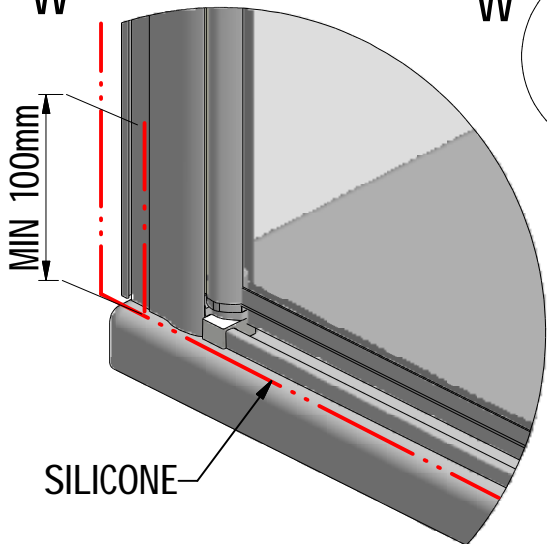
SILICONE

W

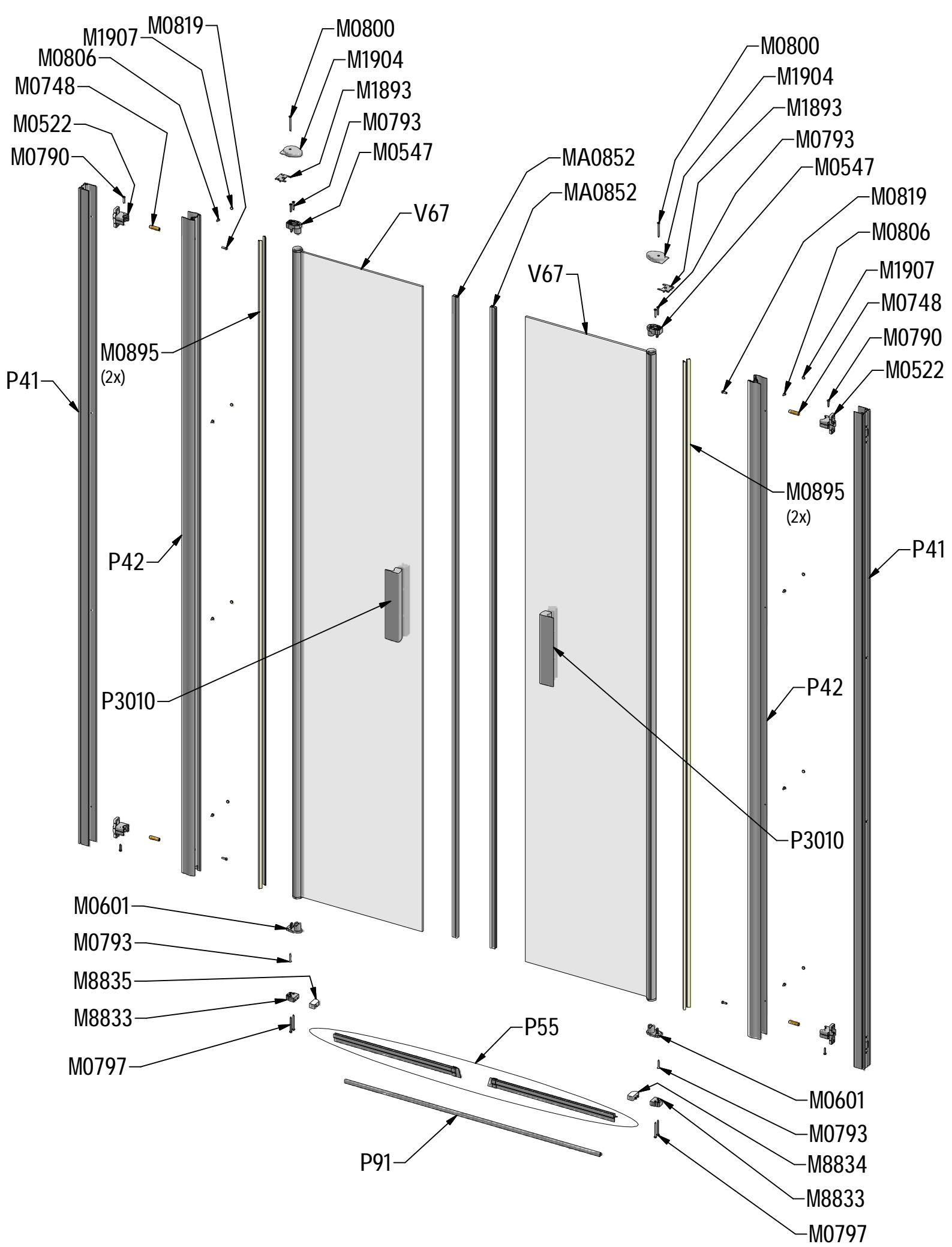


W

MIN 100mm



SILICONE



P41		brillant		P1957
		elox		P1956
P42		brillant		P1963
		elox		P1962
P55				ND01-2422
P91	800			ND01-2524-8
	900			ND01-2524-9
	1000			ND01-2524-10
	1100			ND01-2524-11
	1200			ND01-2524-12

V67	800	brillant+clear glass	brillant+transparent	ND02-0574-00-02
		brillant+intima glass	brillant+intima	ND02-0574-00-20
		elox+clear glass	elox+transparent	ND02-0574-01-02
		elox+intima glass	elox+intima	ND02-0574-01-20
	900	brillant+clear glass	brillant+transparent	ND02-0575-00-02
		brillant+intima glass	brillant+intima	ND02-0575-00-20
		elox+clear glass	elox+transparent	ND02-0575-01-02
		elox+intima glass	elox+intima	ND02-0575-01-20
	1000	brillant+clear glass	brillant+transparent	ND02-0505-00-02
		brillant+intima glass	brillant+intima	ND02-0505-00-20
		elox+clear glass	elox+transparent	ND02-0505-01-02
		elox+intima glass	elox+intima	ND02-0505-01-20
	1100	brillant+clear glass	brillant+transparent	ND02-0576-00-02
		brillant+intima glass	brillant+intima	ND02-0576-00-20
		elox+clear glass	elox+transparent	ND02-0576-01-02
		elox+intima glass	elox+intima	ND02-0576-01-20
	1200	brillant+clear glass	brillant+transparent	ND02-0506-00-02
		brillant+intima glass	brillant+intima	ND02-0506-00-20
		elox+clear glass	elox+transparent	ND02-0506-01-02
		elox+intima glass	elox+intima	ND02-0506-01-20



ROLTECHNIK a.s. / Třeboňov 160 / 569 33,
CZECH REPUBLIC

11

EN 14428:2008+A1