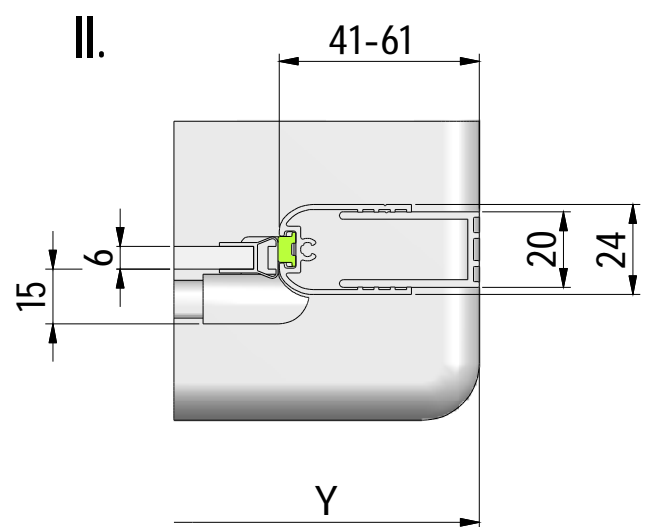
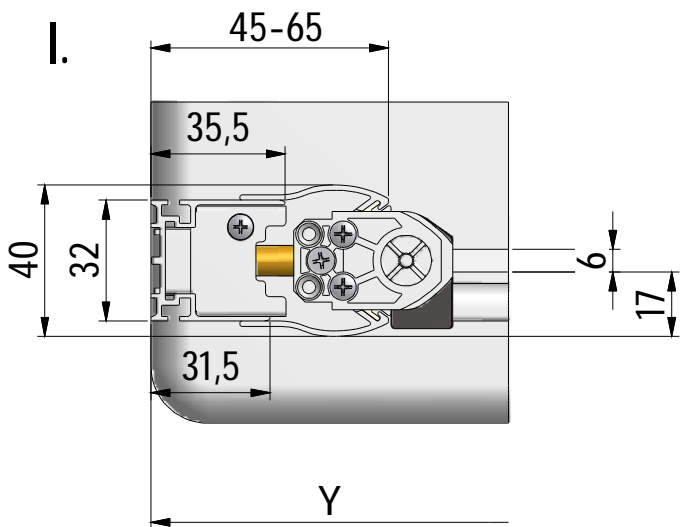
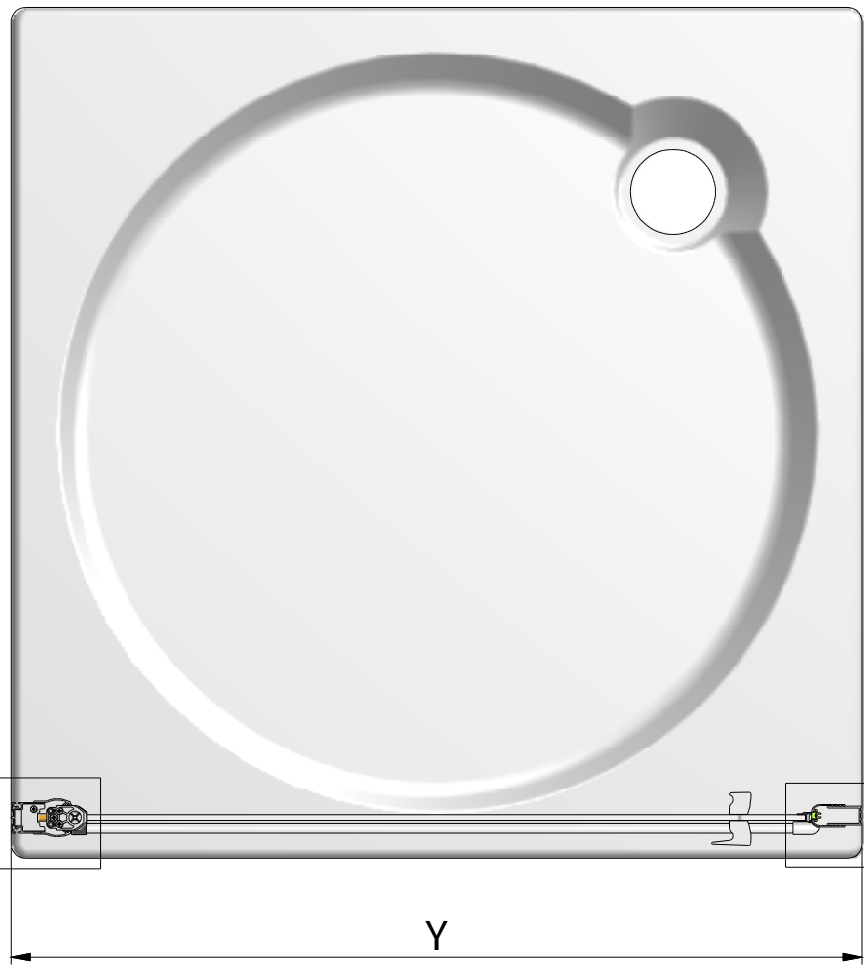
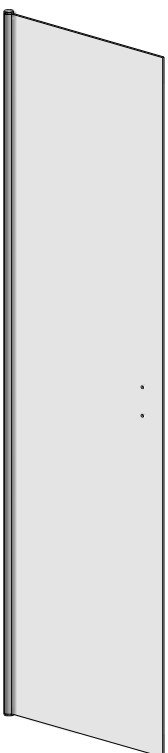
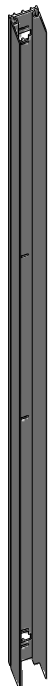


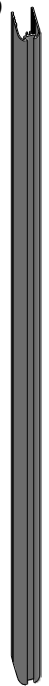
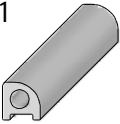


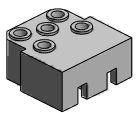

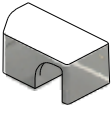

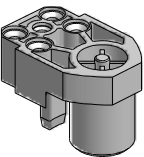



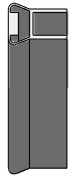
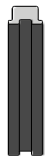
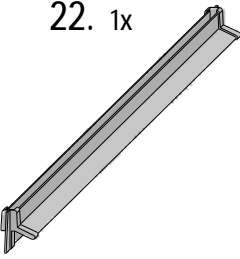
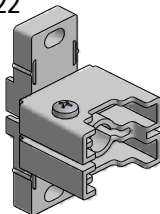





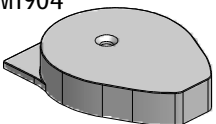

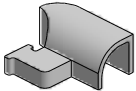
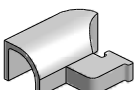



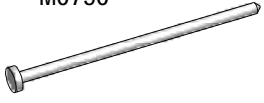


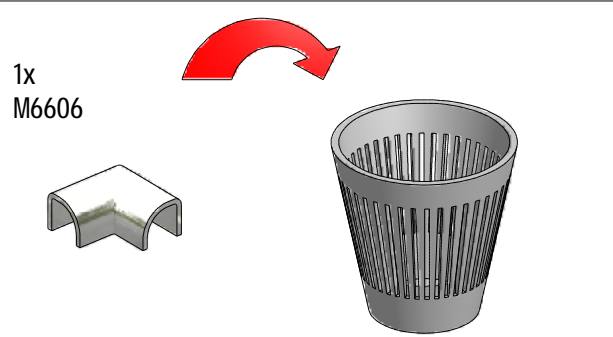
TCN1

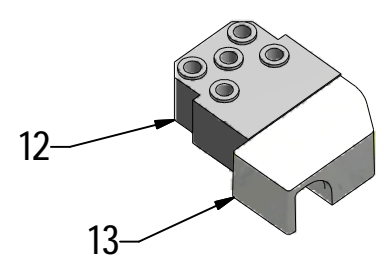
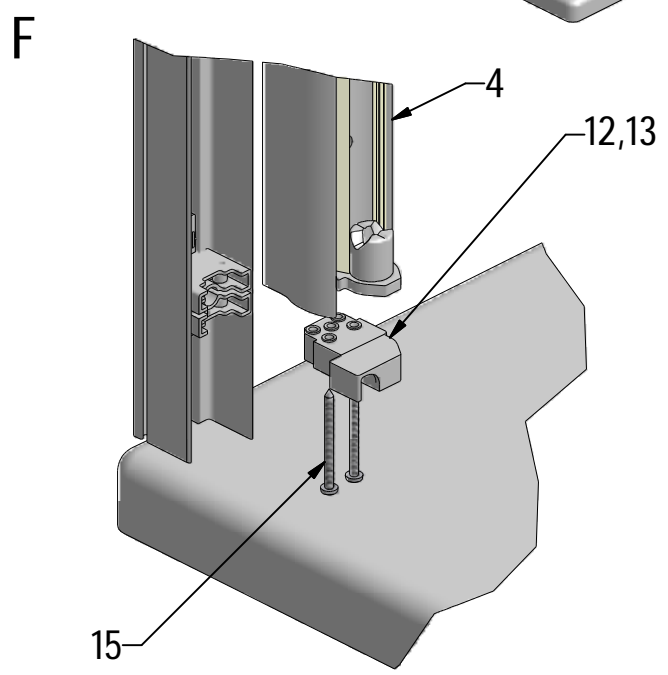
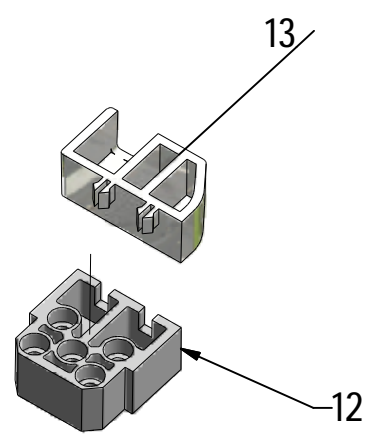
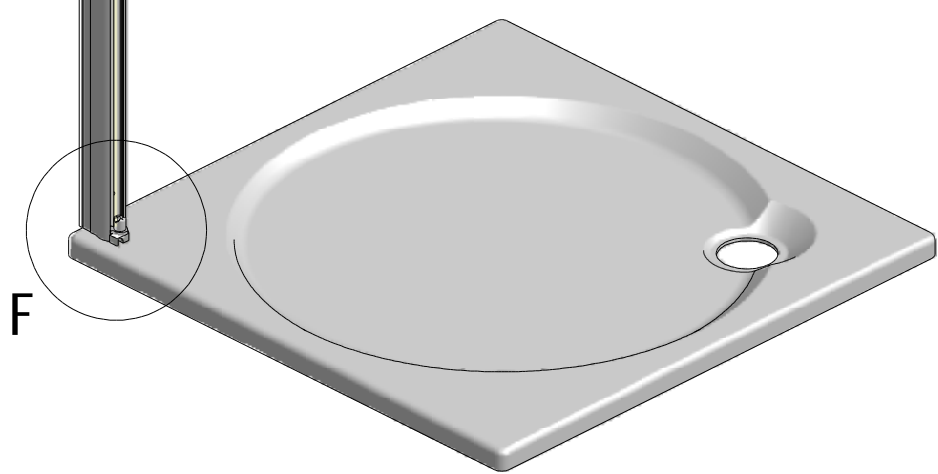
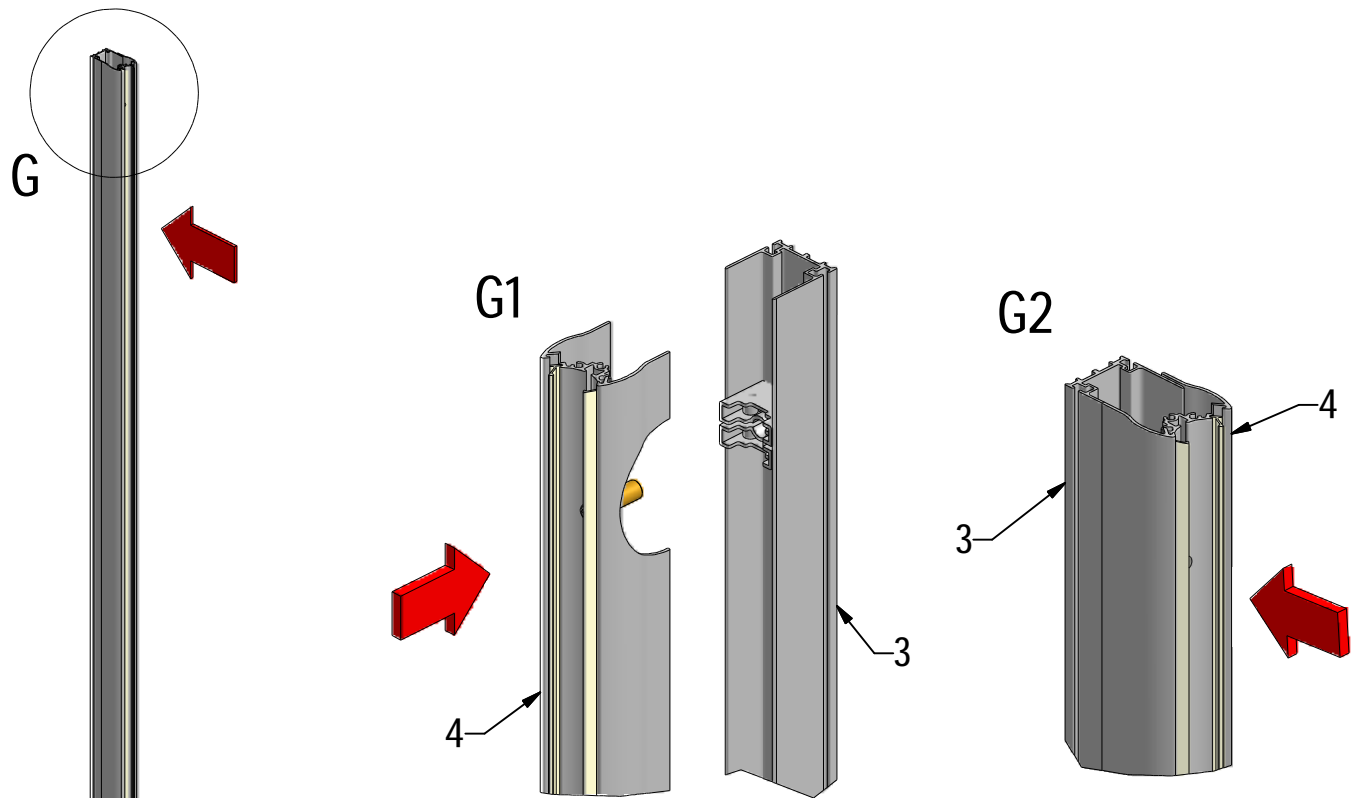


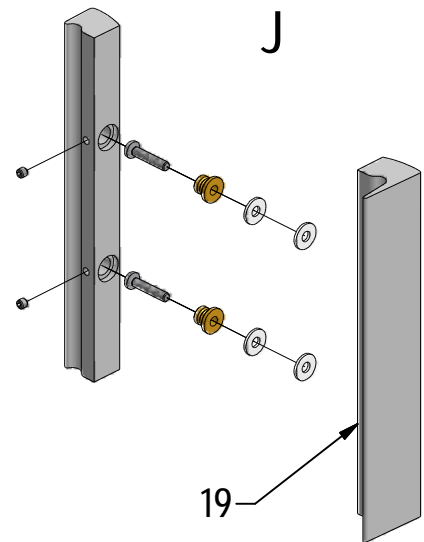
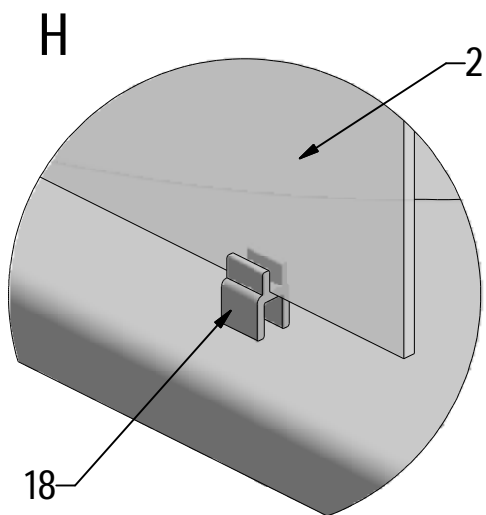
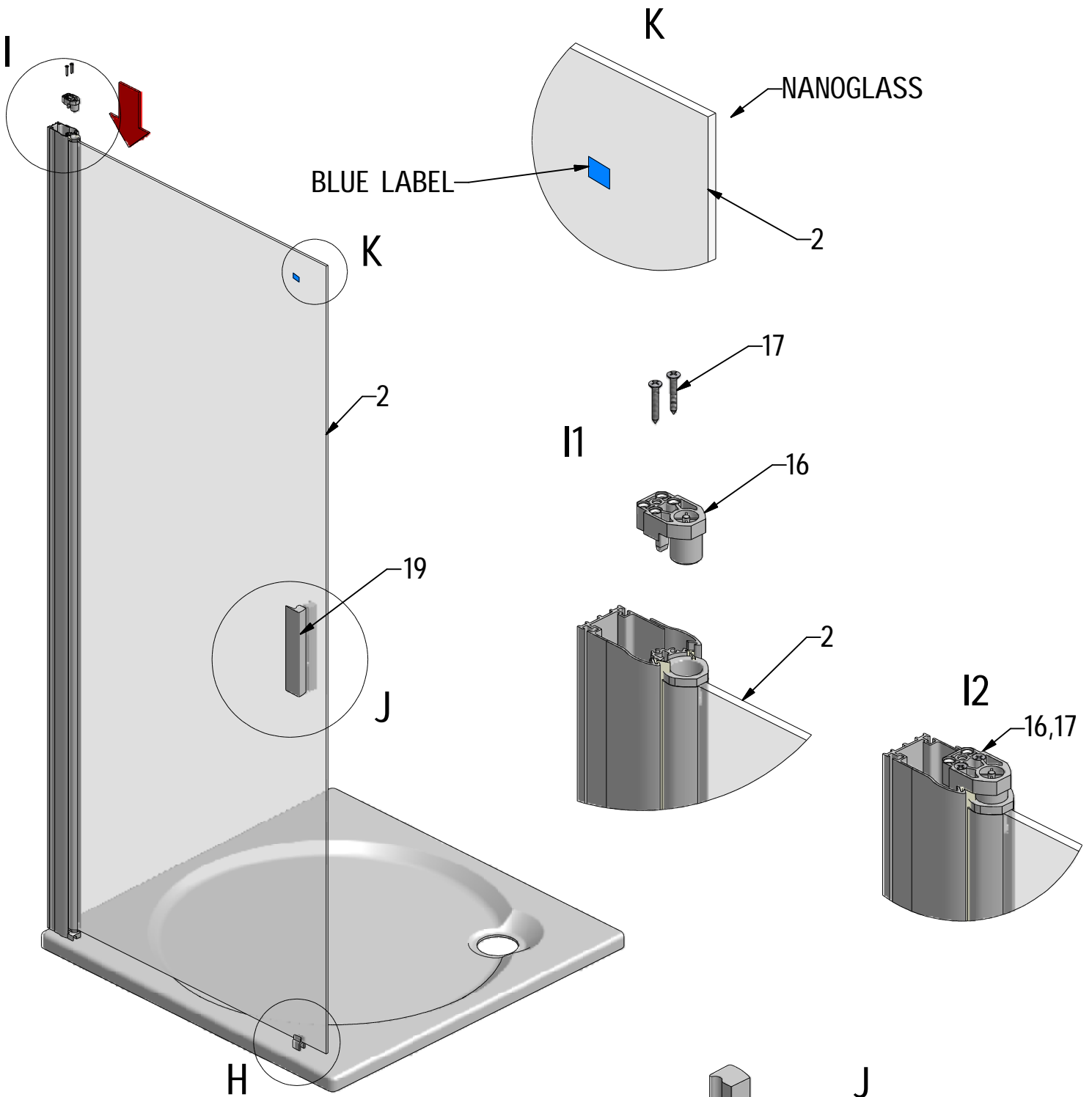


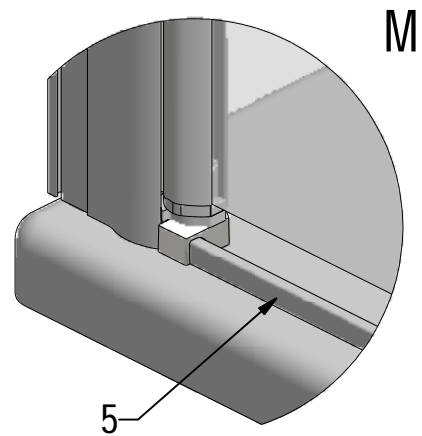
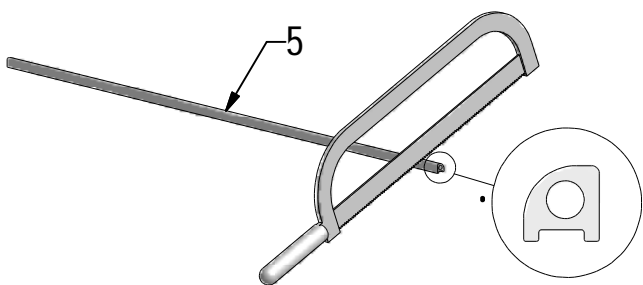
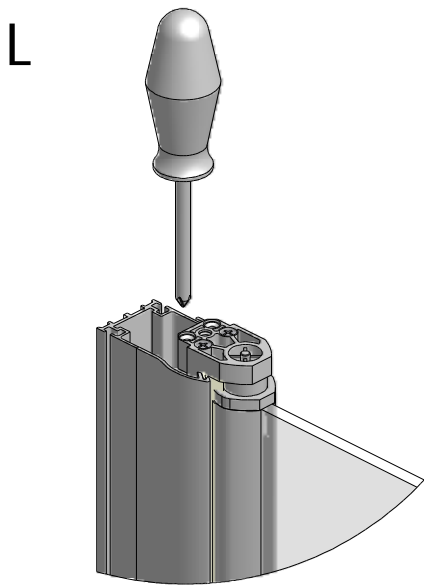
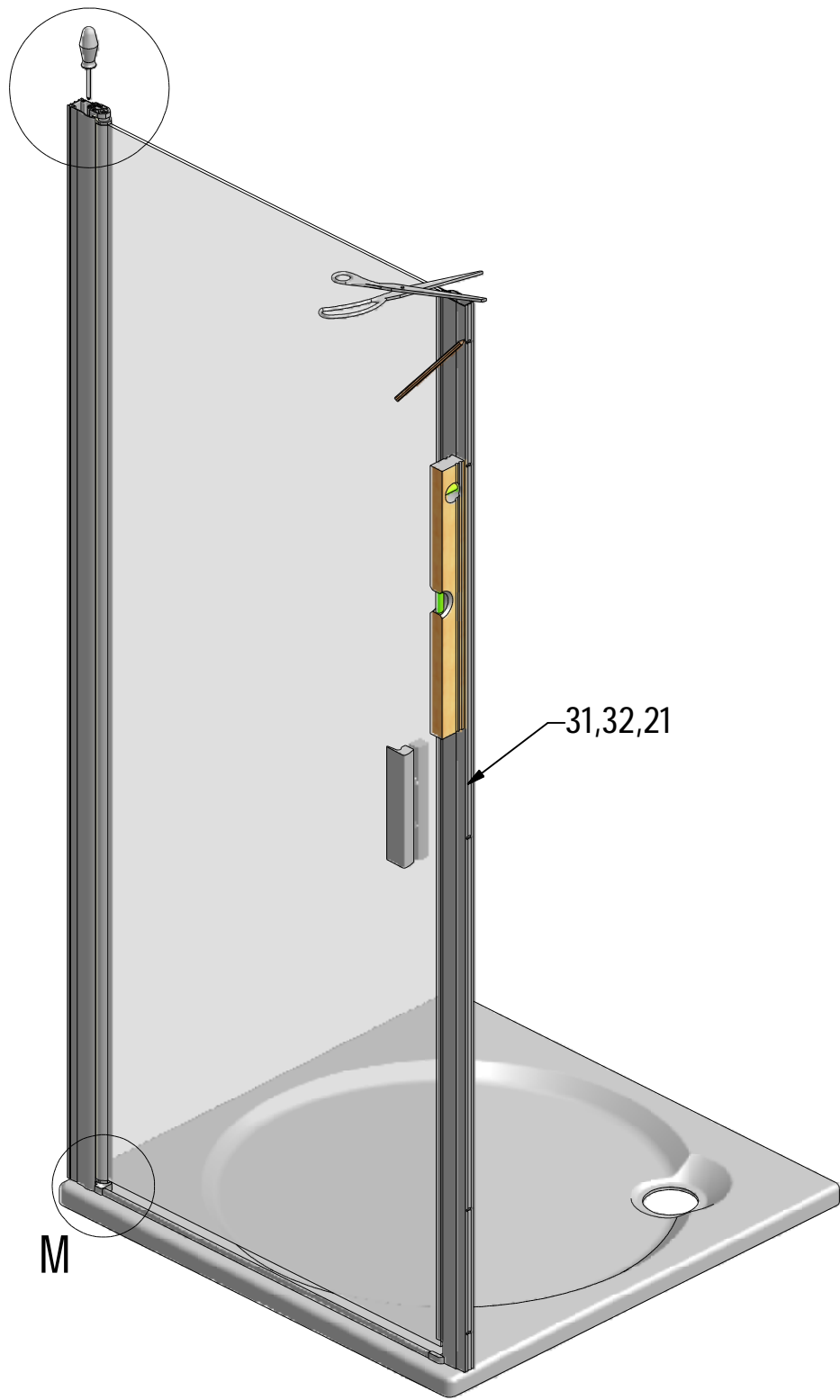
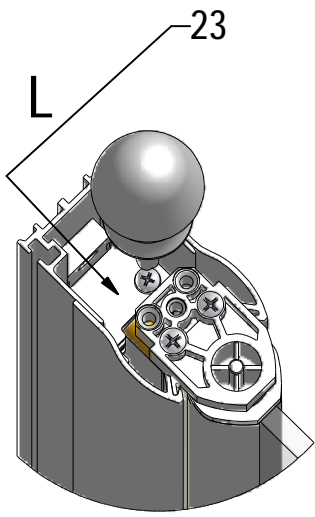
TCN1	Y (mm)	
	MIN	MAX
800	775	810
900	875	910
1000	975	1010

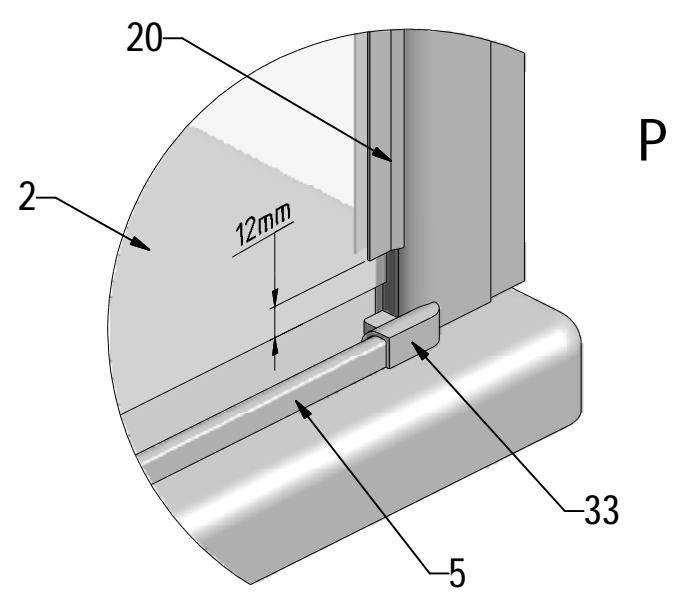
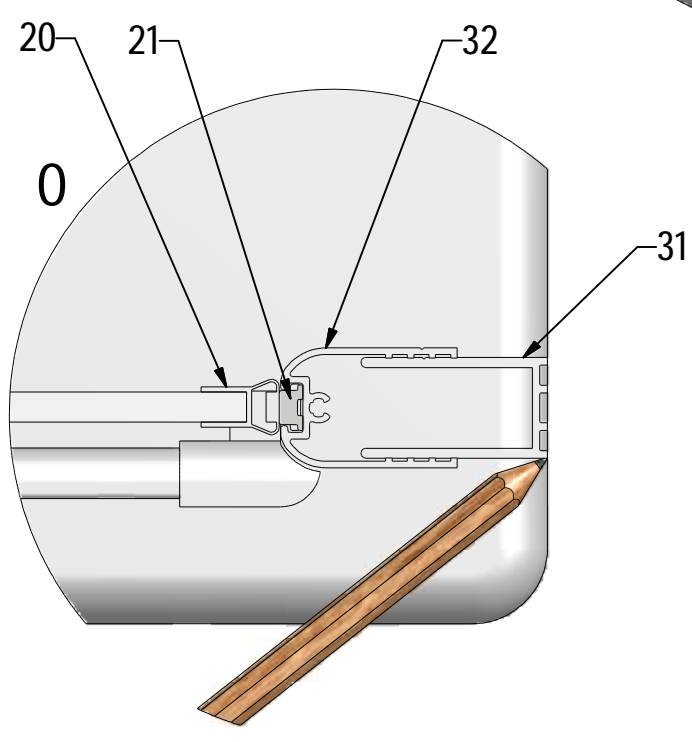
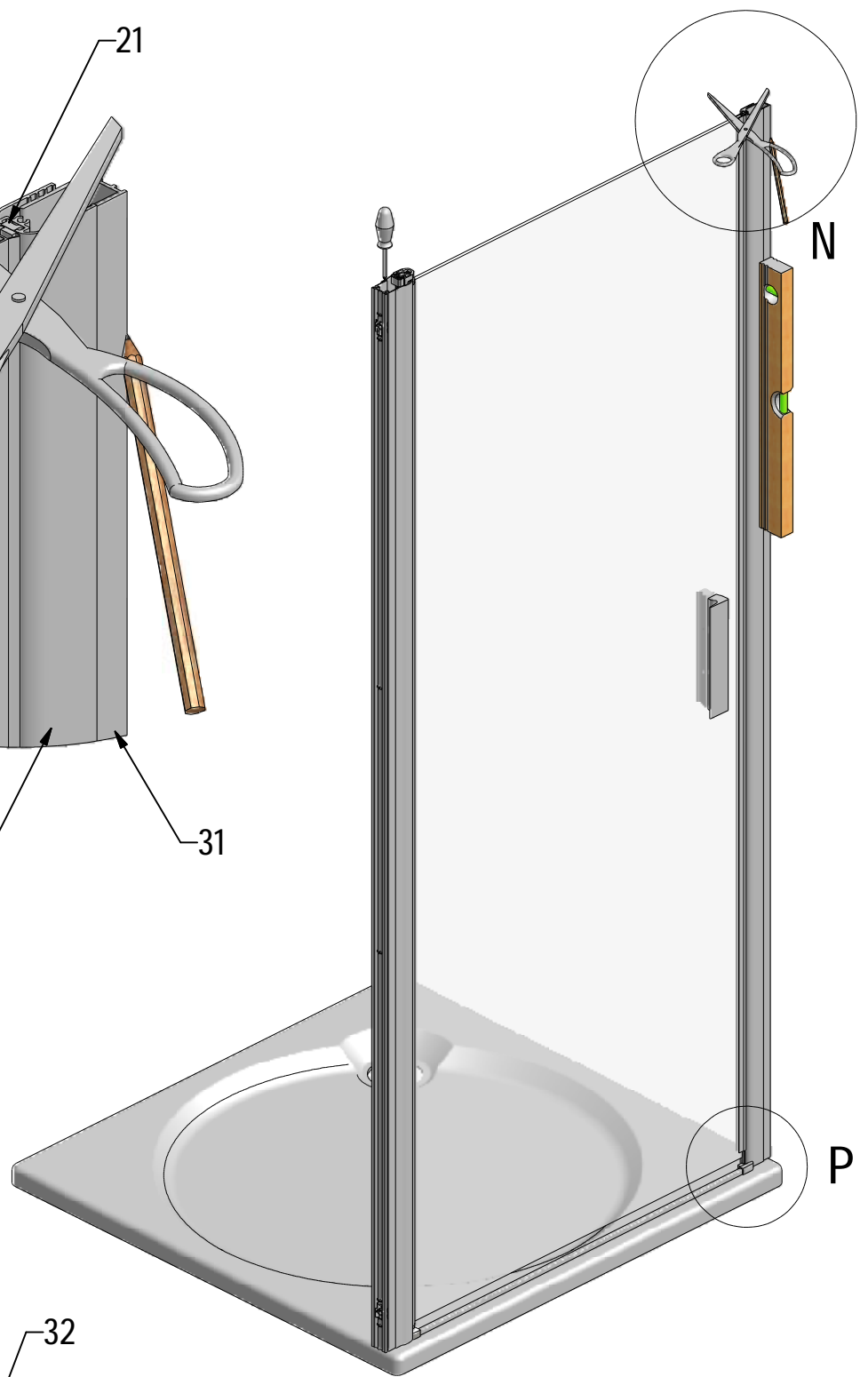
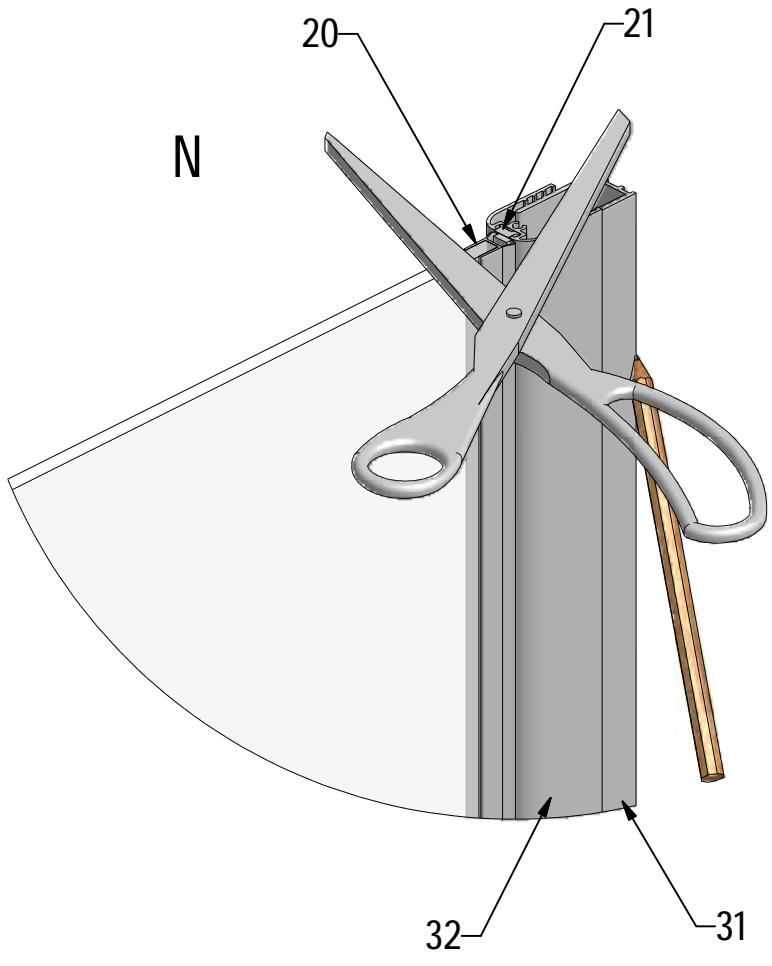
- 2. 1x V18 
- 3. 1x P41 
- 4. 1x P42 
- 31. 1x P50 
- 32. 1x P49 
- 5. 1x P51 
- 6. 11x M0511 n6 
- 7. 11x M0811 3,9x38 
- 12. 1x M8833 
- 13. 1x M8835 
- 14. 1x M8834 
- 15. 2x M0797 3,5x45 
- 16. 1x M0547 
- 17. 2x M0793 3,5x25 
- 18. 1x M1916 
- 19. 1x P3010 
- 20. 1x MA0852 
- 21. 1x M8169 
- 22. 1x 
- 23. 2x M0522 
- 24. 11x M0768 
- 25. 1x M0838 n2,8 
- 26. 8x M0806 n3,5x9,5 
- 27. 8x M1907 
- 28. 1x M1893 
- 29. 1x M1904 
- 30. 1x M0800 3,5x45 
- 33. 1x M8915 
- 34. 1x M8914 
- 35. 1x M8921 
- 36. 1x M8312 
- 37. 1x M0808 3,5x9,5 
- 1x M0750 

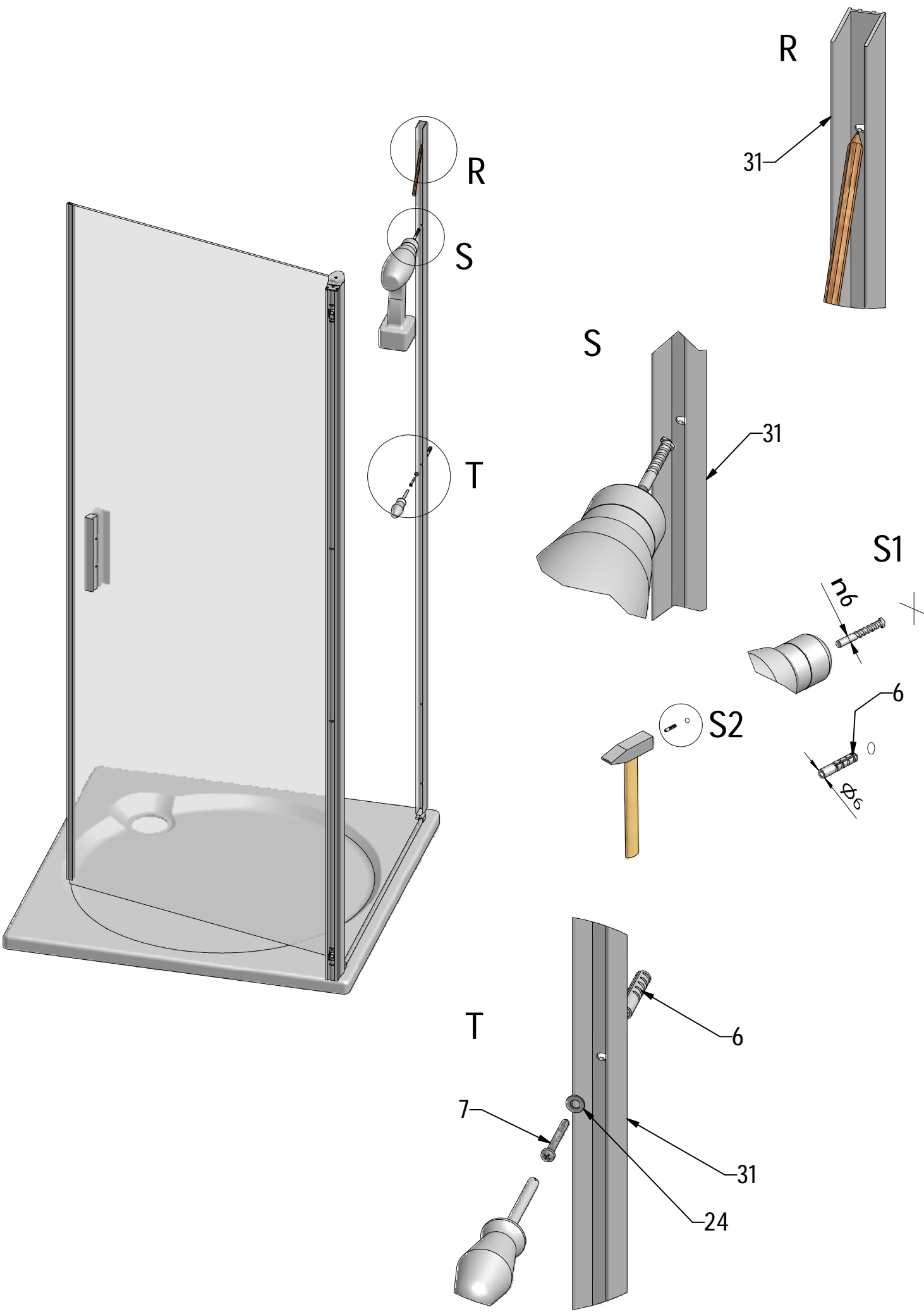


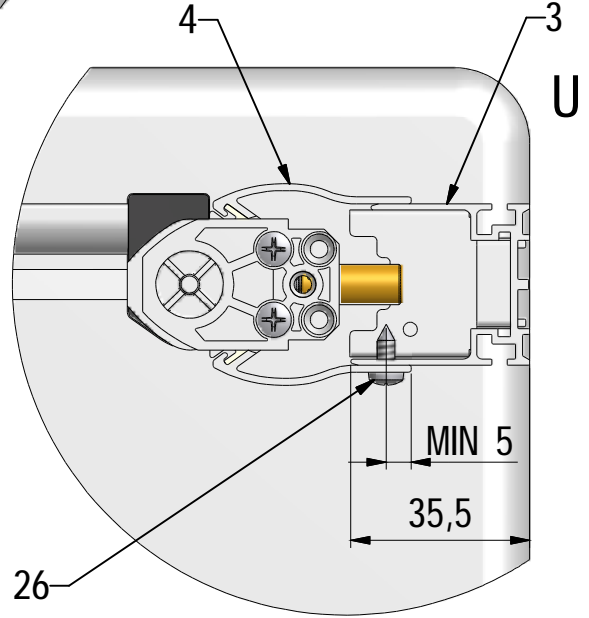
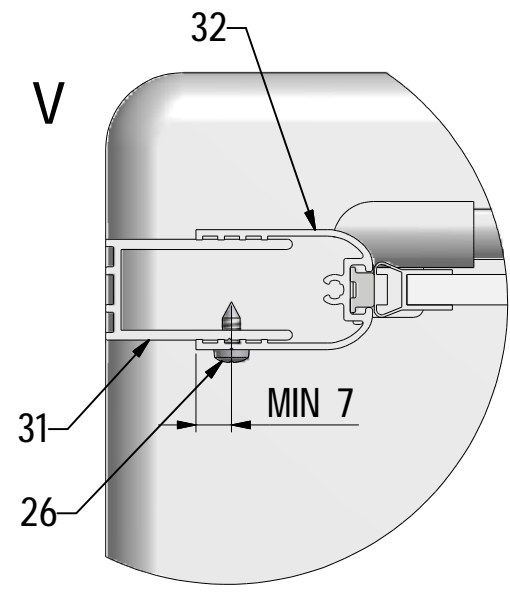
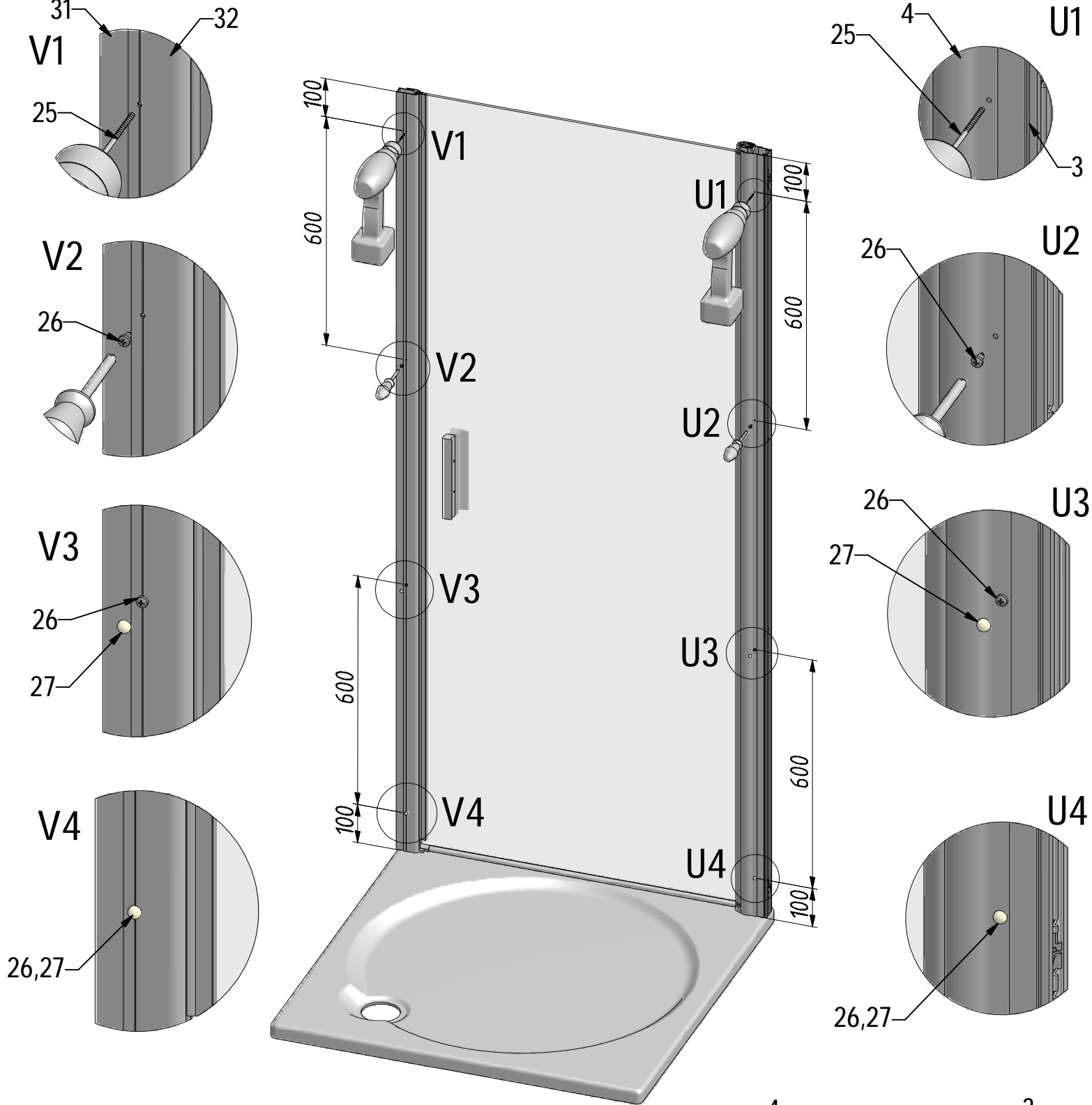


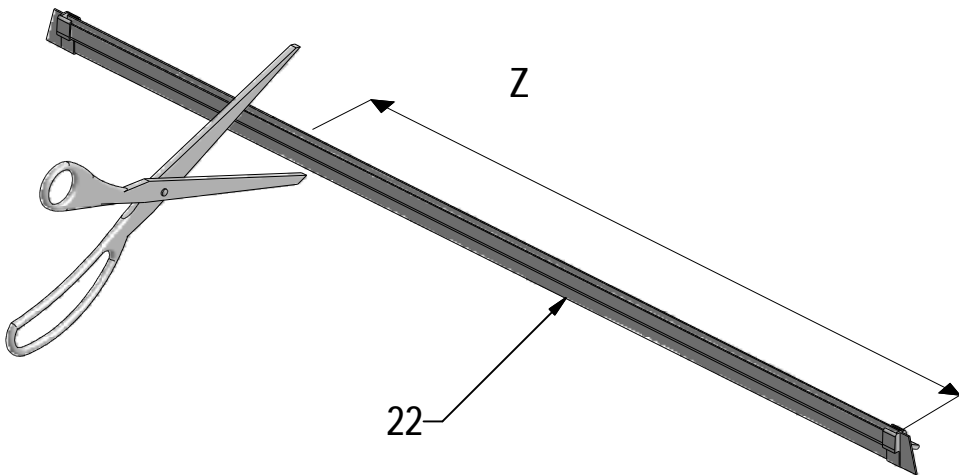
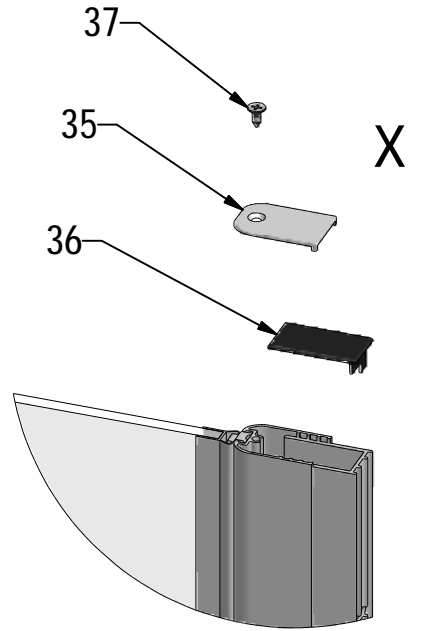
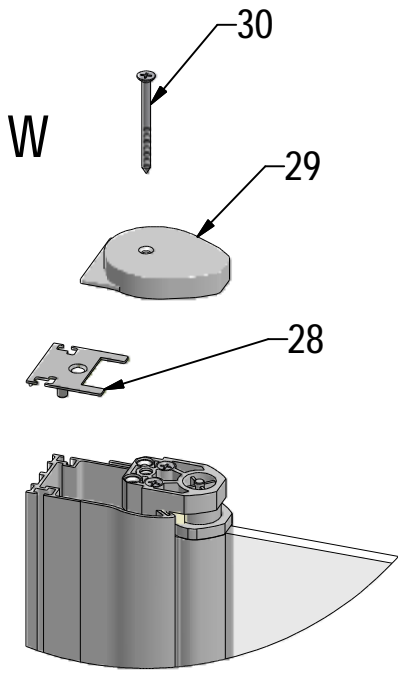


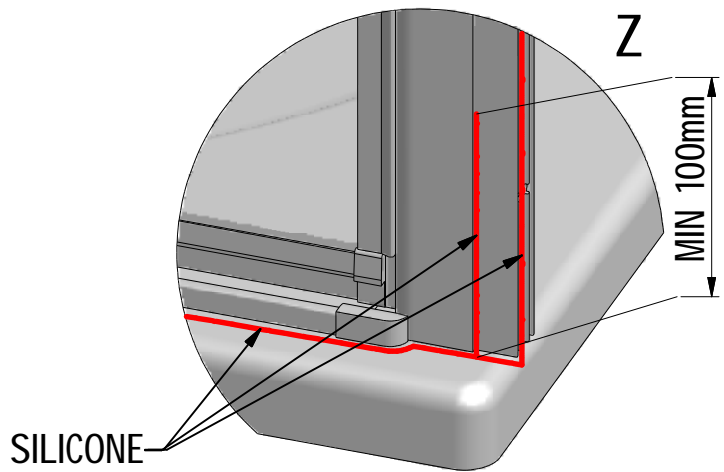
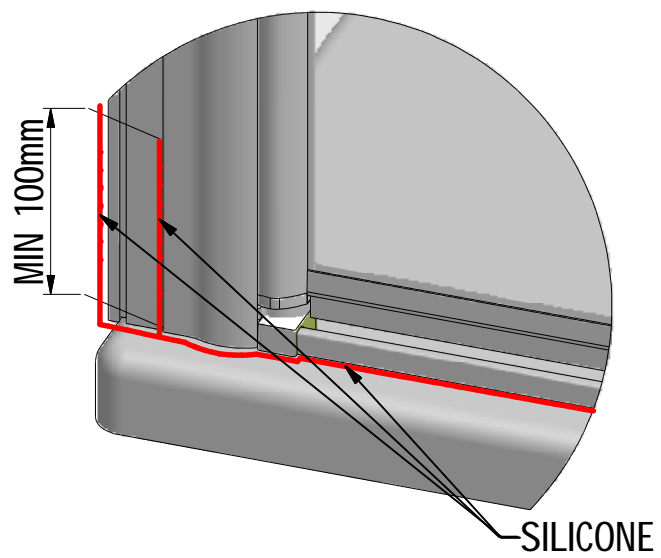
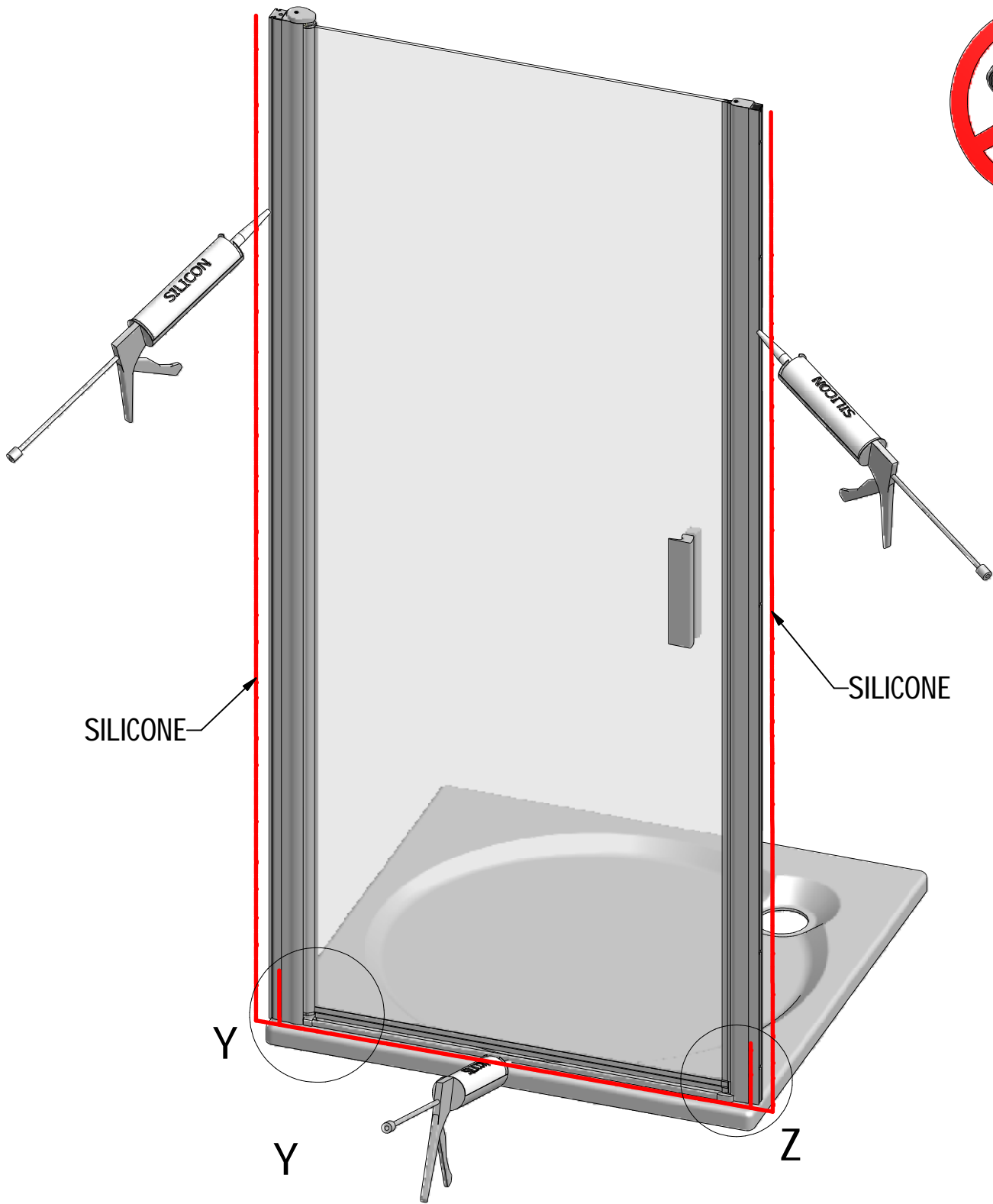




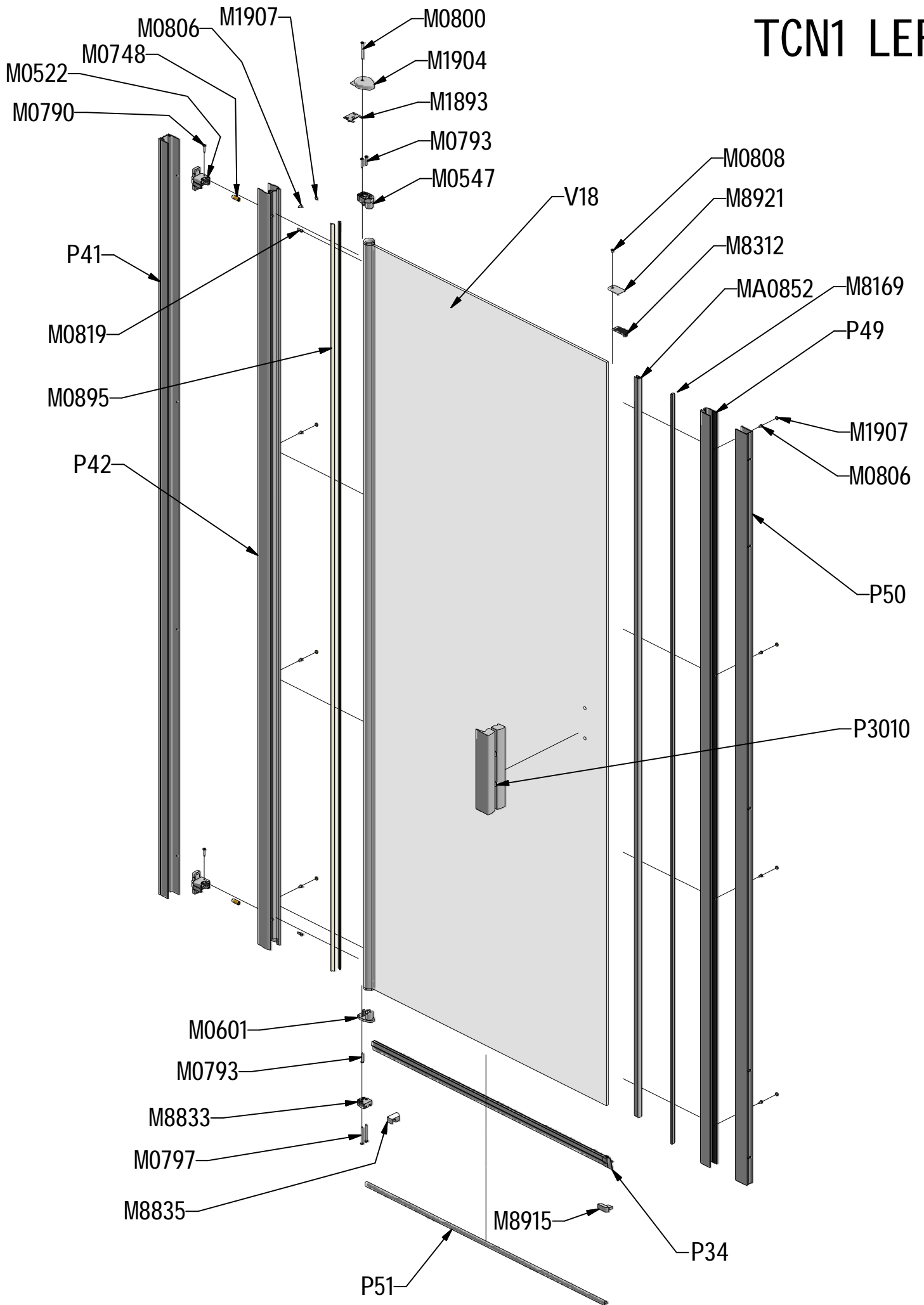




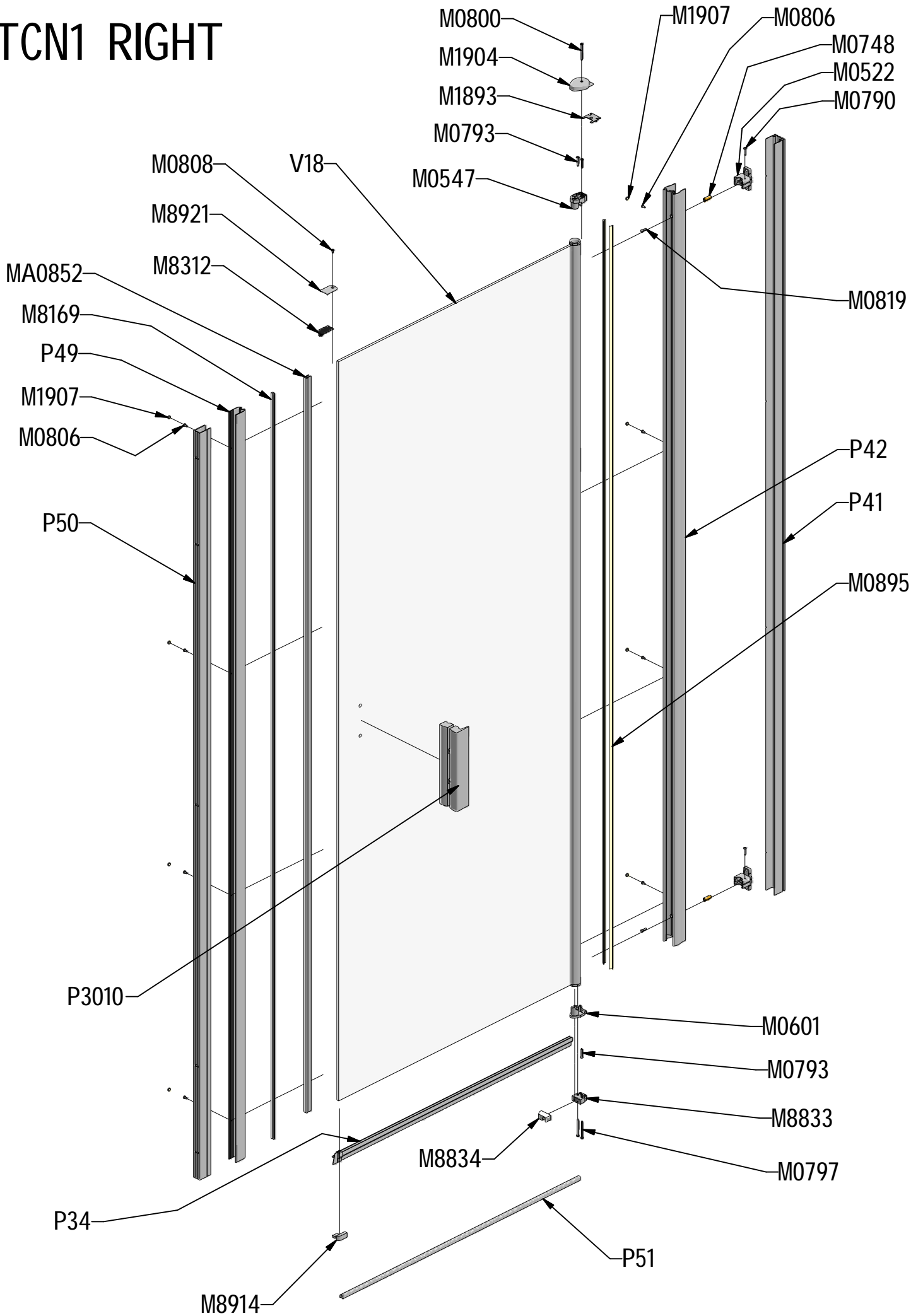




TCN1 LEFT



TCN1 RIGHT



P34				ND01-2420
P41		brillant		P1957
		elox		P1956
P42		brillant		P1963
		elox		P1962
P49		brillant		P2698
		elox		P2699
P50		brillant		P2700
		elox		P2701
P51	800			ND01-2238-8
	900			ND01-2238-9
	1000			ND01-2238-1

V18	800	brillant+clear glass	brillant+čiré sklo	ND02-0514-00-02
		brillant+intima glass	brillant+intima	ND02-0514-00-20
		elox+clear glass	elox+čiré sklo	ND02-0514-01-02
		elox+intima glass	elox+intima	ND02-0514-01-20
	900	brillant+clear glass	brillant+čiré sklo	ND02-0515-00-02
		brillant+intima glass	brillant+intima	ND02-0515-00-20
		elox+clear glass	elox+čiré sklo	ND02-0515-01-02
		elox+intima glass	elox+intima	ND02-0515-01-20
	1000	brillant+clear glass	brillant+čiré sklo	ND02-0516-00-02
		brillant+intima glass	brillant+intima	ND02-0516-00-20
		elox+clear glass	elox+čiré sklo	ND02-0516-01-02
		elox+intima glass	elox+intima	ND02-0516-01-20



**ROLTECHNIK a.s. / Třeboňov 160 / 569 33,
CZECH REPUBLIC**

10

EN 14428:2008+A1