

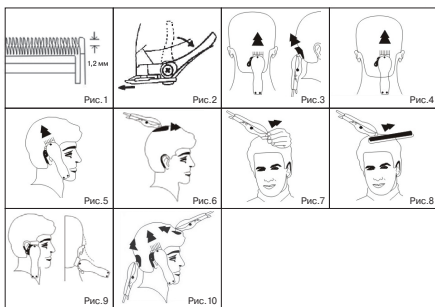
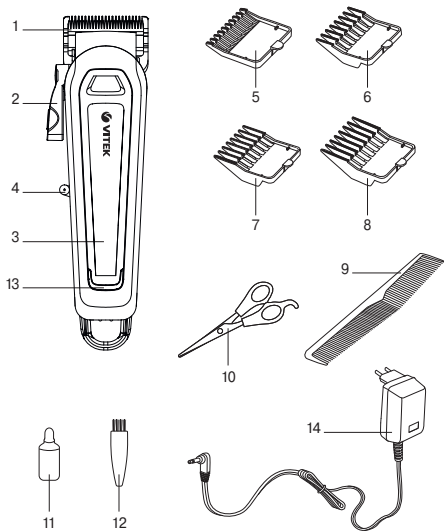
VT-1369

Hair clipper

Набор
для стрижки

Инструкция по эксплуатации

GB Manual instruction	3
RUS Инструкция по эксплуатации	12
KZ Пайдалану нұсқасы	22
UA Інструкція з експлуатації	32
KG Пайдалануу боюнча нускама	42
RO Instrucțiune de exploatare	51



ENGLISH

HAIR CLIPPER VT-1369

This set is intended for cutting hair and styling.

DESCRIPTION

1. Blades
2. Blade shifter
3. Body
4. Power switch «0/I»
5. 3 mm attachment comb
6. 6 mm attachment comb
7. 9 mm attachment comb
8. 12 mm attachment comb
9. Comb
10. Scissors
11. Lubricating oil
12. Cleaning brush
13. LED illumination
14. Power adapter

ATTENTION!

Do not use the unit near water in bathrooms, showers, swimming pools etc.

- *When using the unit in a bathroom, unplug it right after usage by taking the power plug out of the mains socket, as closeness of water is dangerous even if the unit is switched off.*
- *For additional protection you can install a residual current device (RCD) with nominal operation current not exceeding 30 mA into the bathroom mains; contact a specialist for installation.*

SAFETY MEASURES

Read this instruction manual carefully before using the unit and keep it for future reference for the whole unit operation period. Use the unit for intended purposes only, as specified in this manual. Mishandling of the unit may lead to its breakage and cause harm to the user or damage to his/her property.

- Before using the unit for the first time, make sure that the voltage in your mains corresponds to unit operating voltage.
- The power cord may not:
 - touch hot objects and surfaces,
 - be immersed into water,

ENGLISH

- run over sharp edges of furniture,
- be used as a handle for carrying the unit.
- The hair clipper is not intended for professional use.
- Use the unit to cut only natural human hair, hair should be dry.
- Do not use the unit to cut artificial hair and animal hair.
- Use only the attachments supplied.

ATTENTION! *Do not immerse the hair clipper, the power cord and the plug into water or any other liquids. Do not wash the clipper blades under water jet.*

- Do not touch the hair clipper body and the power cord with wet hands.
- Do not use the unit outdoors.
- Do not use the unit in places with high temperature and relative humidity over 80%.
- Do not switch the unit on in places where aerosols are sprayed or highly flammable liquids are used.
- Do not keep the unit near a bath or a sink filled with water.
- If the unit is dropped into water, unplug it immediately, and only then take it out of the water.
- Never use the unit if the attachment combs are broken or damaged or if the blades are damaged.
- After each use clean the attachments and the blades with the brush to remove the cut-off hair.
- Make sure that the blades are clean and that there is lubricating oil on them.
- Never leave the operating unit unattended.
- Switch the hair clipper off during intervals in operation or when you are not using it.
- Do not leave children unattended to avoid them using the unit as a toy.
- Do not allow children to touch the hair clipper body and the power cord during the unit operation.
- During the unit operation and breaks between operation cycles, place the unit out of reach of children and disabled persons.
- This unit is not intended for usage by children.
- The unit is not intended to be used by people with physical, sensory or mental disabilities (including children) or by persons lacking experience or knowledge if they are not under supervision of a person who is responsible for their safety or if they are not instructed by this person on the usage of the unit.

ENGLISH

- Close supervision is necessary when children or disabled persons are near the operating unit.
- For children safety reasons do not leave polyethylene bags used as a packaging unattended.

Attention! Do not allow children to play with polyethylene bags or packaging film. **Danger of suffocation!**

- If the power cord is damaged, it should be replaced by the manufacturer, a maintenance service or similar qualified personnel to avoid danger.
- Do not attempt to repair the unit. Do not disassemble the unit by yourself, if any malfunction is detected or after it was dropped, unplug the unit and apply to any authorized service center at the contact addresses given in the warranty certificate and on the website www.vitek.ru.
- Transport the unit in the original package only.
- Keep the unit out of reach of children and disabled persons.

THIS UNIT IS INTENDED FOR HOUSEHOLD USE ONLY. ITS COMMERCIAL USAGE AND USAGE IN PRODUCTION AREAS AND WORK SPACES IS PROHIBITED.

BEFORE THE FIRST USE

In case of the unit transportation or storage at low temperature keep it for at least three hours at room temperature.

- Remove all advertising stickers and packaging elements that can prevent the unit operation.
- Check the unit for damages; in case of damages do not use the unit.
- Before plugging the unit in make sure that the operating voltage of the unit corresponds to the voltage of your mains.

Blades (1)

- The blades (1) are consumables and they are not covered by the warranty.
- The consumer should check the condition of the cutting edges of the blades by themselves, as the sharpening (polishing) of cutting edges is not covered by warranty.

ENGLISH

- If the blades (1) have been removed for cleaning or replacement, install them back, adjust and tighten the fastening screws (pic. 1).

Blade shifter (2) (pic. 2)

- When you cut hair without using attachments (5, 6, 7, 8), you can shift the blade to adjust the cutting length.
- In the upper shifter (2) position haircut will be the shortest.
- In the lower shifter (2) position, the cutting length is approximately the same as when using 3 mm attachment comb (5).
- By changing the position of the shifter (2) while cutting hair, you can select the necessary cutting length.
- If hair is jammed in the blades (1) while cutting, move the shifter (2) from the upper position to the lower position or vice versa several times, this will help to release the jammed hair without removing the blades (1).
- When the hair clipper is switched on, move the shifter (2) several times from the upper position to the lower position or vice versa, this way you can remove the cut-off hair from the blades (1).
- If the hair clipper pulls hair while cutting, it means that the blades (1) became blunt, replace them with new ones.

Lubricating oil

- Before the first use check whether the blades (1) are lubricated, and, if necessary, lubricate them with the oil (11) supplied with the unit. Keep the blades (1) clean and lubricated.
- Do not use vegetable oil or oil with solvents. Solvents are subjected to evaporation, and the remaining thick oil can slow down the upper blade (1) moving speed.

HAIR STYLING INSTRUCTIONS

Before every use of the hair clipper always clean the blades (1) off hair, dust or any foreign inclusion, lubricate the blades (1) and check their adjustment.

ENGLISH

- Hair should be clean and dry during hair cutting.
- Unwind the power adapter (14) cord to its full length.
- Insert the power plug into the mains socket.
- Before starting a haircut, turn the hair clipper on by setting the power switch (4) to the «I» position, the LED illumination on the body will light up in blue. Make sure that the hair clipper operates normally and the blades (1) move smoothly. If there is excess oil on the blades (1), switch the hair clipper off by setting the power switch (4) to the «0» position and remove the excessive oil with a dry cloth.
- Constantly check the power cord, prevent it from multiple twisting, regularly switch the unit off and straighten the power cord.
- Seat a person so that his/her head is approximately at your eye level, cover the person's shoulders with a towel and set hair with the comb.

Reminder

- *Cut off a small amount of hair at a time – if necessary you can always return to the cut area of hair again for additional cutting.*
- *The best haircutting results are reached on dry hair, not wet.*
- *Comb the hair with a comb (9) to reveal uneven locks.*
- *It is better to leave longer hair after cutting for the first time.*
- *After learning your clipper better, you will be able to arrange your hair in any style you need.*

Attachment combs

The cut-off hair length depends on the attachment comb:

- attachment comb (5): length of hair left 3 mm;
- attachment comb (6): length of hair left 6 mm;
- attachment comb (7): length of hair left 9 mm;
- attachment comb (8): length of hair left 12 mm.

Install the selected attachment comb on the blades, teeth up, and press on the ledge in the bottom part of the attachment until locking. Before cutting hair make sure that the attachment is locked on its installation place. To remove the attachment comb press the clamp and remove the attachment.

ENGLISH

Step one

Set the 3 mm attachment comb (5) or 6 mm attachment comb (6).

Switch the unit on using the power switch (4), setting it to position «I». Hold the hair clipper with the blades (1) pointed upwards. Start cutting from the beginning of the hair growth. Slowly move the trimmer upwards. This way cut the head back area at neck bottom and near the ears (pic. 3, 4, 5).

Step two

Switch the hair clipper off with the power switch (4) by setting it to the position «O», unplug the unit, then set the 9 mm attachment comb (7) for longer hair or 12 mm attachment comb (8) and continue cutting hair near top of the head (pic. 6).

Step 3 – cutting in the temples area

Switch the hair clipper off and unplug it, then set the 3 mm attachment comb (5) or 6 mm attachment comb (6) and cut hair in the area of temples. Then set the 9 mm attachment comb (7) or 12 mm attachment comb (8) and continue cutting towards the top of the head (pic. 5).

Step 4 – cutting the crown of the head

Using the 9 mm attachment comb (7) or 12 mm attachment comb (8), cut the hair on the top of the head towards the crown against the hair growth direction (pic. 6).

- You can cut hair against and along the direction of hair growth, but keep in mind that the hair cut against the growth will be shorter than the hair cut along the growth.
- Use the 3 mm attachment comb (5) and 6 mm attachment comb (6) for very short haircut. To leave a little longer hair, use the 9 mm attachment comb (7) or 12 mm attachment comb (8).
- To leave longer hair, grip hair locks between your fingers and cut the hair off using the clipper (pic. 7).
- You may use a comb: lift the hair locks and cut them with the hair clipper above the comb (9) (pic. 8).
- Always start cutting from the head back.
- Comb the hair with a comb (9) to reveal uneven locks.
- Use the scissors (10) to make haircut even.

ENGLISH

Step 5 – the final part

- In the final stage of hair cutting remove the attachment comb from the unit, turn the blades (1) of the clipper towards the hair and trim hair on the temples and neck carefully. Do not press the clipper strongly, there is danger of injuries or cuts when open blades (1) come in contact with skin (pic. 9).

Cone-shaped haircut

Set the necessary attachment comb and start cutting from the head back towards the crown. Cut the hair against the direction of the growth, towards the crown, and from the sides (pic. 10). To get a flat top haircut, use the comb: lift the locks and cut them along the comb. Comb the hair to reveal uneven locks.

After cutting your hair, switch the hair clipper off by setting the switch (4) to the position “O” and unplug it.

CLEANING AND MAINTENANCE

Lubricating the blades

Lubricate the blades (1) before and after every use of the hair clipper with the oil (11) supplied with the unit.

- Switch the unit off using the power switch (4) and unplug it.
- Apply one-two drops of oil (11) on the blades (1) teeth and on the back side of upper blade, switch the hair clipper on and make sure that the blades are moving smoothly.
- Switch the unit off, clean the excess oil with a dry cloth.

Attention! Use only the oil (11) supplied with the set. DO NOT USE vegetable oil, fat, oil mixed with any solvents for lubricating. Solvents will evaporate, leaving thick grease that may slow down the blades' motion.

Cleaning the hair clipper

- Switch the hair clipper off and unplug it.
- Clean the blades (1) from the cut hair using the cleaning brush (12).
- Wipe the accessories and the hair clipper body (3) with a slightly wet cloth, and then dry them with a soft cloth.
- Do not immerse the hair clipper into water or other liquids.

ENGLISH

- Do not use solvents or abrasives for cleaning the hair clipper body.

STORAGE

- Clean the hair clipper and lubricate the blades (1) with oil (11) before taking it away for storage.
- Keep the hair clipper in a dry cool place out of reach of children and disabled persons.

DELIVERY SET

Hair clipper (with blades) – 1 pc.

Attachment comb – 4 pc.

Lubricating oil – 1 pc.

Cleaning brush – 1 pc.

Comb – 1 pc.

Scissors – 1 pc.

Power adapter – 1 pc.

Instruction manual – 1 pc.

Warranty certificate – 1 pc.

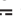
TECHNICAL SPECIFICATIONS

Hair clipper

Built-in rechargeable battery: Li-ion 2000 mAh 3,7 V


Continuous operation time: more than 3.5 hours

Battery charging time: 2.5-3 hours

Input voltage: 5 V  1000 mA

Power adapter

Power supply: 100-240 V ~50 Hz 0.2 A

Output voltage: 5 V  1000 mA



ATTENTION! Do not use the unit near water in the bathrooms, showers, swimming pools etc.

The manufacturer preserves the right to change design, structure and specifications not affecting general principles of the unit operation without a preliminary notification due to which insignificant differences between the manual and product may be observed. If the user reveals such dif-

ENGLISH

ferences, please report them via e-mail info@vitek.ru for receipt of an updated manual.

RECYCLING



For environment protection do not throw out the unit and the batteries (if included), do not discard the unit and the batteries with usual household waste after the service life expiration; apply to specialized centers for further recycling.

The waste generated during the disposal of the unit is subject to mandatory collection and consequent disposal in the prescribed manner.

For further information about recycling of this product apply to a local municipal administration, a disposal service or to the shop where you purchased this product.

Unit operating life is 3 years

Guarantee

Details regarding guarantee conditions can be obtained from the dealer from whom the appliance was purchased. The bill of sale or receipt must be produced when making any claim under the terms of this guarantee.



This product conforms to the EMC Directive 2014/30/EU and to the Low Voltage Directive 2014/35/EU.

РУССКИЙ

НАБОР ДЛЯ СТРИЖКИ VT-1369

Данный набор предназначен для стрижки волос и моделирования причёсок.

ОПИСАНИЕ

1. Лезвия
2. Регулятор перемещения лезвия
3. Корпус
4. Выключатель питания «0/1»
5. Насадка-расчёска 3 мм
6. Насадка-расчёска 6 мм
7. Насадка-расчёска 9 мм
8. Насадка-расчёска 12 мм
9. Расчёска
10. Ножницы
11. Смазочное масло
12. Кисточка для чистки
13. LED-подсветка
14. Сетевой адаптер

ВНИМАНИЕ!

Не использовать прибор вблизи воды в ваннных комнатах, душевых, бассейнах и т.д.

- *При использовании устройства в ванной комнате его следует отключать от электросети сразу после эксплуатации, то есть вынуть вилку сетевого шнура из электрической розетки, так как близость воды представляет опасность даже в тех случаях, когда устройство выключено выключателем.*
- *Для дополнительной защиты в цепи питания ванной комнаты целесообразно установить устройство защитного отключения (УЗО) с номинальным током срабатывания, не превышающим 30 мА, при установке следует обратиться к специалисту.*

МЕРЫ БЕЗОПАСНОСТИ

Перед началом использования устройства внимательно прочитайте данную инструкцию и сохраняйте её в качестве справочного материала в течение всего срока эксплуатации. Используйте устройство только по его прямому назначению, как изложено в данной инструкции. Неправильное обращение с устройством может привести к его поломке, причинению вреда пользователю или его имуществу.

РУССКИЙ

- Перед первым включением убедитесь, что напряжение электрической сети соответствует рабочему напряжению устройства.
- Сетевой шнур не должен:
 - соприкасаться с горячими предметами и поверхностями,
 - погружаться в воду,
 - протягиваться через острые кромки мебели,
 - использоваться в качестве ручки для переноски устройства.
- Машинка для стрижки не предназначена для профессионального использования.
- Используйте машинку только для стрижки естественных человеческих волос, волосы должны быть сухими.
- Запрещается использовать устройство для стрижки искусственных волос и шерсти животных.
- Используйте только насадки из комплекта поставки.

ВНИМАНИЕ! *Запрещается погружать машинку для стрижки, сетевой шнур и вилку сетевого шнура в воду или любые другие жидкости. Запрещается промывать лезвия машинки под струёй воды.*

- Во время работы не касайтесь корпуса машинки и сетевого шнура мокрыми руками.
- Запрещается использовать прибор вне помещений.
- Не используйте устройство в местах с повышенной температурой и относительной влажностью более 80%.
- Не включайте устройство в местах, где распыляются аэрозоли или используются легковоспламеняющиеся жидкости.
- Не храните прибор рядом с наполненной водой ванной или раковиной.
- Если устройство упало в воду, немедленно извлеките сетевую вилку из электрической розетки, и только после этого можно достать прибор из воды.
- Запрещается использовать машинку с повреждёнными насадками или лезвиями.
- После каждого использования очищайте насадки и лезвия от срезанных волос при помощи щётки.
- Следите за чистотой лезвий и наличием на них смазочного масла.
- Никогда не оставляйте работающее устройство без присмотра.

РУССКИЙ

- Выключайте машинку в перерывах в работе или когда Вы ею не пользуетесь.
- Дети должны находиться под присмотром для недопущения игр с прибором.
- Не разрешайте детям касаться корпуса машинки и сетевого шнура во время работы устройства.
- Во время работы и в перерывах между рабочими циклами размещайте устройство в местах, недоступных для детей и людей с ограниченными способностями.
- Данное устройство не предназначено для использования детьми.
- Прибор не предназначен для использования лицами (включая детей) с пониженными физическими, сенсорными или умственными способностями или при отсутствии у них жизненного опыта или знаний, если они не находятся под присмотром или не проинструктированы об использовании прибора лицом, ответственным за их безопасность.
- Будьте особенно внимательны, если поблизости от работающего устройства находятся дети или лица с ограниченными способностями.
- Из соображений безопасности детей не оставляйте полиэтиленовые пакеты, используемые в качестве упаковки, без надзора.

Внимание! Не разрешайте детям играть с полиэтиленовыми пакетами или пленкой. **Опасность удушья!**

- При повреждении шнура питания его замену во избежание опасности должны производить изготовитель, сервисная служба или подобный квалифицированный персонал.
- Запрещается самостоятельно ремонтировать прибор. Не разбирайте прибор самостоятельно, при возникновении любых неисправностей, а также после падения устройства выключите прибор из розетки и обратитесь в любой авторизованный (уполномоченный) сервисный центр по контактным адресам, указаным в гарантийном талоне и на сайте www.vitek.ru.
- Перевозите устройство только в заводской упаковке.
- Храните устройство в местах, недоступных для детей и людей с ограниченными возможностями.

ДАННЫЙ ПРИБОР ПРЕДНАЗНАЧЕН ДЛЯ ИСПОЛЬЗОВАНИЯ ТОЛЬКО В БЫТОВЫХ УСЛОВИЯХ. ЗАПРЕЩАЕТСЯ КОММЕРЧЕСКОЕ ИСПОЛЬЗОВАНИЕ И ИСПОЛЬ-

ИСПОЛЬЗОВАНИЕ ПРИБОРА В ПРОИЗВОДСТВЕННЫХ ЗОНАХ И РАБОЧИХ ПОМЕЩЕНИЯХ.

ПЕРЕД ПЕРВЫМ ВКЛЮЧЕНИЕМ

В случае транспортировки или хранения устройства при пониженной температуре необходимо выдерживать его при комнатной температуре не менее трех часов.

- Удалите любые элементы упаковки и рекламные наклейки, мешающие работе устройства.
- Проверьте целостность устройства, при наличии повреждений не пользуйтесь устройством.
- Перед включением убедитесь, что рабочее напряжение прибора соответствует напряжению электросети.

Лезвия (1)

- Лезвия (1) являются расходными материалами, и гарантия на них не распространяется.
- За состоянием режущих кромок лезвий потребитель обязан следить самостоятельно, поскольку заточка (шлифовка) режущих кромок лезвий не входит в гарантийные обязательства.
- Если лезвия (1) снимались для чистки или замены, установите их обратно, выровняйте и затяните крепёжные винты (рис. 1).

Регулятор перемещения лезвия (2) (рис. 2)

- Во время стрижки без насадок (5, 6, 7, 8) вы можете перемещать лезвие, регулируя тем самым длину срезаемых волос.
- В верхнем положении регулятора (2) стрижка получится самой короткой.
- В нижнем положении регулятора (2) длина срезаемых волос будет примерно такой же, как при использовании насадки (5) 3 мм.
- Изменяя положение регулятора (2) во время стрижки, вы можете выбрать необходимую длину срезаемых волос.
- Если при стрижке произошло зажатие волос между лезвиями (1), для освобождения волос необходимо несколько раз перевести регулятор (2) из верхнего положения в нижнее, или наоборот, это поможет освободить зажатые волосы, не снимая лезвия (1).

РУССКИЙ

- При включённой машинке для стрижки несколько раз переведите регулятор (2) из верхнего положения в нижнее, или наоборот, таким образом можно убрать с лезвий (1) срезанные волосы.
- Если во время стрижки машинка дёргается волосы, это означает, что лезвия (1) затупились, и их следует заменить новыми.

Смазочное масло

- Перед первым использованием проверьте наличие смазочного масла на лезвиях (1), и в случае необходимости смажьте их маслом (11), входящим в комплект поставки. Следите за чистотой лезвий (1) и наличием на них смазочного масла.
- Не используйте растительное масло или масло, в состав которого входят растворители. Растворители подвержены испарению, а оставшееся густое масло может замедлить скорость перемещения верхнего лезвия (1).

ИНСТРУКЦИЯ ПО МОДЕЛИРОВАНИЮ ПРИЧЁСКИ

Перед каждым использованием машинки для стрижки, обязательно очистите лезвия (1) от волос, пыли или любых посторонних включений, а также смажьте лезвия (1) и проверьте их регулировку.

- Во время стрижки волосы должны быть чистыми и сухими.
- Размотайте сетевой шнур адаптера (14) на всю его длину.
- Вставьте вилку сетевого шнура в электрическую розетку.
- Перед началом стрижки включите машинку, переведя выключатель (4) в положение «I», на корпусе синим цветом загорится LED-подсветка. Убедитесь, что машинка работает без сбоев, а ход лезвий (1) – плавный. При избытке на лезвиях (1) смазочного масла выключите машинку, установив выключатель (4) в положение «O», и удалите лишнее масло при помощи сухой ткани.
- Следите за состоянием сетевого шнура, не допускайте его многократного перекручивания, периодически отключайте машинку и расправляйте сетевой шнур.
- Посадите человека таким образом, чтобы его голова была примерно на уровне ваших глаз, плечи чело-

века прикройте полотенцем, расчешите волосы при помощи расчёски.

Напоминание

- Срезайте небольшое количество волос за один проход — в случае необходимости всегда можно вернуться к уже подстриженному участку волос для их дополнительной стрижки.
- Наилучшие результаты стрижки достигаются при работе с сухими, а не влажными волосами.
- Расчёсывайте волосы расчёской (9) для выявления неровных прядей.
- Для первого раза после стрижки лучше оставить более длинные волосы.
- По мере освоения машинки вы сможете самостоятельно моделировать необходимые причёски.

Насадки-расчёски

Высота срезаемых волос зависит от используемой насадки:

- насадка-расчёска (5): высота волос 3 мм;
- насадка-расчёска (6): высота волос 6 мм;
- насадка-расчёска (7): высота волос 9 мм;
- насадка-расчёска (8): высота волос 12 мм.

Установите выбранную насадку-расчёску на лезвия зубьями вверх и нажмите на выступ в нижней части насадки до её фиксации. Убедитесь, что насадка защёлкнулась на своём посадочном месте перед началом стрижки. Для снятия насадки-расчёски нажмите на фиксатор и снимите насадку.

Шаг первый

Установите насадку-расчёску (5) 3 мм или (6) 6 мм.

Включите машинку выключателем (4), установив его положение «I». Держите машинку таким образом, чтобы лезвия (1) были направлены вверх. Начинайте стрижку с начала роста волос. Медленно перемещайте машинку по направлению вверх. Подстригите все волосы снизу задней части головы и около ушей (рис. 3, 4, 5).

Шаг второй

Отключите машинку выключателем (4), переведя его в положение «O», и извлеките вилку сетевого шнура из электрической розетки, установите насадку-расчёску для более длинных волос (7) 9 мм или (8) 12 мм,

РУССКИЙ

включите машинку и продолжайте стричь волосы ближе к макушке головы (рис. 6).

Шаг третий — стрижка в области висков

Отключите машинку и извлеките вилку сетевого шнура из электрической розетки, установите насадку-расчёску (5) 3 мм или (6) 6 мм и подстригите волосы на висках. Затем установите насадку-расчёску (7) 9 мм или (8) 12 мм и продолжайте стрижку по направлению к макушке (рис. 5).

Шаг четвертый — стрижка в области темени

Используя насадку-расчёску (7) 9 мм или (8) 12 мм, стригите волосы по направлению от макушки к темени против направления роста волос (рис. 6).

- Волосы можно стричь против направления роста и по направлению роста, но имейте в виду, что волосы, подстриженные против направления их роста, будут короче волос, подстриженных по направлению роста.
- Используйте насадки (5) 3 мм и (6) 6 мм для очень короткой стрижки. Чтобы оставить волосы немного длиннее, используйте насадки (7) 9 мм или (8) 12 мм.
- Чтобы оставить более длинные волосы, зажимайте пряди волос между пальцами и состригайте их машинкой (рис. 7).
- Можно использовать расчёску: приподнимайте пряди волос и состригайте их машинкой поверх расчёски (9) (рис. 8).
- Всегда начинайте стрижку с задней части головы.
- Расчёсывайте волосы расчёской (9) для выявления неровных прядей.
- Используйте ножницы (10) для подравнивания волос.

Шаг 5 — заключительная часть

- В заключительной стадии моделирования причёски снимите с машинки насадку-расчёску, разверните машинку лезвиями (1) в сторону волос и аккуратно подравняйте волосы на висках и на шее. Не давите на машинку с силой, при контакте открытых лезвий (1) с кожей можно получить порезы или травму (рис. 9).

Конусообразная стрижка

Установите необходимую насадку-расчёску и начните стрижку с задней части головы по направлению к макушке. Подстригите волосы против направления их роста с передней части головы по направлению к макушке

РУССКИЙ

и с боков (рис. 10). Для получения стрижки с плоской макушкой используйте расчёску: приподнимайте и состригайте пряди волос по расчёске. Расчёсывайте волосы расчёской для выявления неровных прядей. Завершив стрижку волос, выключите машинку, установив выключатель питания (4) в положение «О», и извлеките вилку сетевого шнура из розетки.

ЧИСТКА И УХОД

Смазка лезвий

Лезвия (1) необходимо смазывать после использования и перед каждым использованием машинки для стрижки, маслом (11), входящим в комплект поставки.

- Выключите машинку выключателем (4) и извлеките вилку сетевого шнура из электрической розетки.
- Нанесите одну-две капли масла (11) на зубья лезвий (1) и на заднюю часть верхнего лезвия, включите машинку и убедитесь в плавности хода лезвий.
- Выключите прибор, вытрите лишнее масло сухой тканью.

Внимание! Используйте только то масло (11), которое входит в комплект поставки. НЕ ИСПОЛЬЗУЙТЕ для смазки растительное масло, жир, смесь масла с растворителями. Растворители подвержены испарению, после чего оставшееся густое масло может замедлить скорость перемещения лезвий.

Чистка машинки для стрижки

- Выключите машинку и отключите её от электросети.
- Удалите остатки состриженных волос с лезвий (1), используя для этого кисточку (12).
- Протрите корпус машинки (3) и аксессуары слегка влажной тканью, после этого вытрите их насухо мягкой тканью.
- Запрещается погружать машинку в воду или любую другую жидкость.
- Запрещается для чистки машинки использовать растворители или абразивные чистящие средства.

ХРАНЕНИЕ

- Прежде чем убрать машинку на хранение, произведите чистку и смажьте лезвия (1) маслом (11).
- Храните машинку для стрижки в сухом прохладном месте, недоступном для детей и людей с ограниченными возможностями.

РУССКИЙ

КОМПЛЕКТ ПОСТАВКИ

Машинка для стрижки (с лезвиями) – 1 шт.
Насадка-расчёска – 4 шт.
Масло для смазки – 1 шт.
Кисточка для чистки – 1 шт.
Расческа – 1 шт.
Ножницы – 1 шт.
Сетевой адаптер – 1 шт.
Инструкция – 1 шт.
Гарантийный талон – 1 шт.

ТЕХНИЧЕСКИЕ ХАРАКТЕРИСТИКИ

Машинка для стрижки

Встроенная аккумуляторная батарея:
Li-ion 2000 мАч 3,7 В
Время непрерывной работы: более 3,5 часа
Время зарядки батареи: 2,5-3 ч
Входное напряжение: 5 В \equiv 1000 мА

Адаптер питания

Электропитание: 100-240 В ~ 50 Гц 0,2 А
Выходное напряжение: 5 В \equiv 1000 мА



ВНИМАНИЕ! Не использовать прибор вблизи воды в ванных комнатах, душевых, бассейнах и т.д.

УТИЛИЗАЦИЯ



В целях защиты окружающей среды, после окончания срока службы прибора и элементов питания (если входят в комплект), не выбрасывайте их вместе с обычными бытовыми отходами, передайте прибор и элементы питания в специализированные пункты для дальнейшей утилизации. Отходы, образующиеся при утилизации изделий, подлежат обязательному сбору с последующей утилизацией в установленном порядке.

Для получения дополнительной информации об утилизации данного продукта обратитесь в местный муниципалитет.

РУССКИЙ

ципалитет, службу утилизации бытовых отходов или в магазин, где Вы приобрели данный продукт.

Производитель сохраняет за собой право изменять дизайн, конструкцию и технические характеристики, не влияющие на общие принципы работы устройства, без предварительного уведомления, из-за чего между инструкцией и изделием могут наблюдаться незначительные различия. Если пользователь обнаружил такие несоответствия, просим сообщить об этом по электронной почте info@vitek.ru для получения обновленной версии инструкции.

Срок службы прибора – 3 года



Данное изделие соответствует всем требуемым европейским и российским стандартам безопасности и гигиены.

ИЗГОТОВИТЕЛЬ: СТАР ПЛЮС ЛИМИТЕД
(STAR PLUS LIMITED)

**МЕСТОНАХОЖДЕНИЕ И ПОЧТОВЫЙ АДРЕС
ДЛЯ СВЯЗИ:** ЮНИТ БИ ЭНД СИ, 15Й ЭТАЖ,
КЭЙСИ АБЕРДИН ХАУС, №38, ХЭНГ ИП РОУД,
ВОНГ ЧУК ХАНГ, ГОНКОНГ, КНР

**ИМПОРТЕР И УПОЛНОМОЧЕННОЕ
ИЗГОТОВИТЕЛЕМ ЛИЦО:** ООО «ВИТЕК.РУС»

**МЕСТОНАХОЖДЕНИЕ И ПОЧТОВЫЙ АДРЕС
ДЛЯ СВЯЗИ:** РФ, 117452, Г. МОСКВА,
ЧЕРНОМОРСКИЙ БУЛЬВАР, ДОМ 17, КОРП. 1, ЭТАЖ 4,
ОФИС 401, КАБ. 1.
Тел.: +7 (499) 685-48-18, e-mail: info@vitek.ru

Ответственность за несоответствие продукции требованиям технических регламентов Таможенного союза возложена на уполномоченное изготовителем лицо.

www.vitek.ru

ТЕЛЕФОН ДЛЯ СПРАВОК: 8-800-100-18-30

СДЕЛАНО В КНР



ҚАЗАҚША

ШАШ ҚЫРҚАТЫН МАШИНА ВТ-1369

Берілген жинақ шашты қырқу мен шаш үлгілерін одельдеуге арналған

СИПАТТАМАСЫ

1. Жүзі
2. Ұстараларды жылжыту реттегіші
3. Корпусы
4. «0/1» қоректендіру сәндіргіші
5. 3 мм қондырма-тарағы
6. 6 мм қондырма-тарағы
7. 9 мм қондырма-тарағы
8. 12 мм қондырма-тарағы
9. Тарақ
10. Қайшылар
11. Майлайтын май
12. Тазалауға арналған қылшақша
13. LED-жарығы
14. Желілік адаптер

НАЗАР АУДАРЫҢЫЗ!

Аспапты жуынатын бөлмеде, душта, бассейнде ж.т.б. жерлерде судың қасында пайдалануға болмайды.

- Құралды жуыну бөлмесінде пайдаланған кезде оны пайдаланып болғаннан кейін оны электр желісінен өшіру, яғни желілік баудың айырын электрлік розеткадан шығару керек, себебі судың жақындығы құрал өшірішпен өшкен кезде де қауіп төндіреді.
- Қосымша қорғаныс үшін жуынатын бөлмедегі қуаттандыру тізбегіне 30 мА аспайтын, іске қосылудың номиналдық тогы бар қорғаныс өшіру құрылғысын (ҚӨҚ) орнату мақсатқа сай келеді, орнату кезінде маманға хабарласқан жөн.

ҚАУІПСІЗДІК ШАРАЛАРЫ

Электрлік аспапты пайдалану алдында берілген пайдалану бойынша нұсқаулықты зейін қойып оқып шығыңыз және оны анықтамалық материал ретінде сақтап қойыңыз. Құрылғыны тікелей міндеті бойынша ғана, берілген нұсқаулықта көзделгендей пайдаланыңыз. Аспапты дұрыс пайдаланбау оның сынуына, пайдаланушыға немесе оның мүлкіне зиян келтіруіне әкелуі мүмкін.



ҚАЗАҚША

- Алғашқы іске қосу алдында электрлік желінің кернеуі құрылғының жұмыс істеу кернеуіне сәйкес келетініне көз жтексіңіз.
- Желілік бейімдеуіштің бауы:
 - ыстық заттармен және беттермен жанспауы;
 - суға матырылмауы;
 - жиһаздың үшкір шеттерімен тартылмауы;
 - құрылғыны тасымалдауға арналған қолсап ретінде пайдаланылмауы керек.
- Шаш қырқатын машина кәсіби пайдалануға арналмаған.
- Машинканы табиғи адам шашын қырку үшін ғана пайдаланыңыз, шаш құрғақ болуы керек.
- Құрылғыны жасанды шаш пен жануар жүнін ққырку үшін пайдалануға тыйым салынады.
- Жеткізілім жинағына кіретін қондырмаларды ғана пайдаланыңыз.

НАЗАР АУДАРЫҢЫЗ! Шаш қырқатын машинканы, желілік бауды және желілік баудың айыртетігін суға немесе кезкелген басқа сұйықтықтарға матыруға тыйым салынады. Машинканың ұстараларын су ағынымен жууға тыйым салынады.

- Жұмыс істеген уақытта машинка корпусы мен желілік бауды сулы қолмен ұстамаңыз.
- Аспапты үй-жайдан тыс пайдалануға тыйым салынады.
- Құралды температурасы жоғары және қатысты ылғалдылығы 80% асатын орындарда қолдануға болмайды.
- Құралды аэрозоль себілетін немесе тез тұтанатын сұйықтықтар қолданылатын жерлерде қосуға болмайды.
- Аспапты суға толы ванна немесе қолжуғыштың қасында сақтамаңыз.
- Егер құрылғы суға түсіп кетсе, дереу желілік айыртетікті электрлік ашалықтан шығарыңыз, және содан кейін ғана аспапты судан шығаруға болады.
- Машинканы бүлінген қондырмалармен немесе ұстаралармен пайдалануға тыйым салынады.
- Әр пайдаланған сайын қондырмалар мен ұстараларды қырқылған шаштан қылшақ көмегімен тазартыңыз.
- Ұстаралардың тазалағын және оларда майлайтын майдың болуын қадағалаңыз.
- Ешқашан жұмыс істеп тұрған құрылғыны қараусыз қалдырмаңыз.



ҚАЗАҚША

- Жұмыс уақытындағы үзілістерде немесе сіз машинканы пайдаланбаған кезде оны сөндіріңіз.
- Аспаппен ойнауларына жол бермеу үшін балаларды қадағалау керек.
- Құрылғы жұмыс істеп тұрған кезде балаларға машинка корпусына және желілік бауға қолдарын тигізуге рұқсат етпеңіз.
- Жұмыс уақытында және жұмыс циклдері арасындағы үзілістерде құрылғыны балалардың және мүмкіндіктері шектеулі адамдардың қолы жетпейтін жерлерде орналастырыңыз.
- Берілген құрылғы балалардың пайдалануына арналмаған.
- Дене, сенсорлық немесе ақыл-сана мүмкіндіктері төмендетілген тұлғалардың (балаларды қоса алғанда) немесе оларда өмірлік тәжірибесі немесе білімі болмаса, егер олар бақыланбаса немесе олардың қауіпсіздігі үшін жауап беретін тұлғамен аспапты пайдалану туралы нұсқаулықтар берілген болмаса, аспап олардың пайдалануына арналмаған.
- Жұмыс істеп тұрған құрылғының қасында балалар немесе мүмкіндіктері шектеулі тұлғалар болса, аса назар болыңыз.
- Балалардың қауіпсіздігі мақсатында орау ретінде пайдаланылатын полиэтилен қаптарды қараусыз қалдырмаңыз.

Назар аударыңыз! Балаларға полиэтилен қаптармен немесе пленкамен ойнауға рұқсат етпеңіз. Баланың тұншығу қаупі бар!

- Қуаттандыру бауы зақымданған жағдайда қауіп тууға жол бермеу үшін оны дайындаушы, сервистік қызмет немесе баламалы білікті маман ауыстыруы керек.
- Аспапты өз бетімен жөндеуге тыйым салынады. Аспапты өз бетіңізбен бөлшектемеңіз, кез-келген ақаулықтар пайда болғанда, сонымен қатар құрылғы құлағаннан кейін аспапты электрлік ашалықтан суырыңыз және кепілдіме талоны мен www.vitek.ru сайтында көрсетілген хабарласу мекен-жайлары бойынша кез-келген туындыгерлес (өкілетті) қызмет көрсету орталығына хабарласыңыз.
- Құрылғыны зауыттық орауда тасымалдаңыз.
- Құрылғыны құрғақ салқын, балалардың және мүмкіндіктері шектеулі адамдардың қолы жетпейтін жерде сақтаңыз.



ҚАЗАҚША

ОСЫ ҚҰРАЛ ТЕК ТҰРМЫСТЫҚ ЖАҒДАЙЛАРДА ПАЙДАЛАНУҒА АРНАЛҒАН. ӨНДІРІСТІК АЙМАҚТАР МЕН ЖҰМЫС ҮЙ-ЖАЙЛАРЫНДА АСПАПТЫ ПАЙДАЛАНУҒА ЖӘНЕ КОММЕРЦИЯЛЫҚ ПАЙДАЛАНУҒА ТЫЙЫМ САЛЫНАДЫ.

БІРІНШІ РЕТ ҚОСУ АЛДЫНДА

Құрылғыны төмен температура жағдайында тасымалдаған немесе сақтаған кезде, оны бөлме температурасында үш сағаттан кем емес уақыт бойы ұстау қажет.

- Құрылғының жұмысына кедергі келтіретін қаптама материалдары мен кез-келген жарнамалық жапсырмаларды алып тастаңыз.
- Құрылғының бүтіндігін тексеріңіз, бүлінген жерлері болған кезде құрылғыны пайдаланбаңыз.
- Қосу алдында аспаптың жұмыс кернеуі электр желісінің кернеуіне сәйкес келетіндігіне көз жеткізіңіз.

Жүздері (1)

- Жүздері (1) шығыс материалдары болып табылады, және оларға кепілдік қолданылмайды.
- Жүздердің кесетін жиектерінің жай-күйін тұтынушы өздігінен бақылауға міндетті, өйткені жүздердің кесетін жиектерін қайрау (ажарлау) кепілдік міндеттемелерге кірмейді.
- Егер жүздері (1) тазалау немесе алмастыру үшін шешілген болса, оларды орнына қайтадан орнатыңыз, теңдестіріңіз және бекітетін бұрандаларды тартыңыз (сур. 1).

Жүздің қозғалысын реттеуші (2) (сур. 2)

- Қондырмаларсыз (5, 6, 7, 8) қырку кезінде сіз жүзін қозғалту арқылы, қиылатын шаштың ұзындығын реттей аласыз.
- Реттегіштің (2) жоғарғы күйінде қырқылған шаш ең қысқа болып шығады.
- Реттегіш (2) төменгі күйде орналасқанда қиылатын шаштың ұзындығы, қондырманы (5) 3 мм пайдаланған кездегімен бірдей болады.
- Шаш қырку кезінде реттегіш (2) күйін өзгерте отырып, қиылатын шаштың қажетті ұзындығын таңдауға болады.
- Егер шашты қию кезінде жүздердің (1) арасында шаш қысылып қалса, шашты босату үшін



ҚАЗАҚША

реттегішті (2) бірнеше рет жоғарғы күйден төменгі күйге ауыстыру керек, немесе керісінше, бұл қысылып қалған шашты жүздерді (1) шешпей босатуға көмектеседі.

- Шаш қырқатын машина қосулы болғанда реттегішті (2) жоғарғы күйден төменгі күйге, немесе керісінше бірнеше рет жылжытыңыз, осылайша жүздерден (1) қиылған шаштарды алып тастауға болады.
- Егер қырқу кезінде машина шашты жұлатын болса, онда бұл жүздердің (1) өтпей қалғанын білдіреді, және оларды жаңасына ауыстыру керек.

Майлауға арналған май

- Бірінші қолданар алдында жүздерде (1) майлауға арналған майдың болуын тексеріңіз, және қажет болған жағдайда оларды жеткізу жиынтығына кіретін (11) маймен майлаңыз. Жүздердің (1) тазалығы мен оларда майлағыш майдың болуын қадағалаңыз.
- Өсімдік майын немесе құрамына еріткіштер кіретін майларды пайдаланбаңыз. Еріткіштер булануға душар, ал қалған қою май жоғарғы жүзінің (1) қозғалу жылдамдығын баяулатуы мүмкін.

ШАШ ҮЛГІСІН МОДЕЛЬДЕУ ЖӨНІНДЕГІ НҰСҚАУЛЫҚ

Шаш қырқатын машинаны әрбір қолданар алдында, жүздерін (1) шаштан, шаңнан немесе кез келген бөгде қоспалардан тміндетті түрде азалаңыз, сондай-ақ жүздерді (1) майлаңыз және олардың реттелуін тексеріңіз.

- Шаш алу кезінде шаш таза және құрғақ болуы керек.
- Адаптердің (14) желілік бауын барлық ұзындығына тарқатыңыз.
- Желі бауының ашасын электр розеткасына салыңыз.
- Қырқуды бастамас бұрын машинаны қосыңыз, ол үшін сөндіргішті (4) күйіне «I» ауыстырыңыз, корпуста көк түспен LED-жарығы жанады. Машина іркіліссіз жұмыс істейтініне, ал жүздерінің (1) жүрісі жұмсақ екеніне көз жеткізіңіз. Жүздерінде (1) майлайтын май артық болғанда, сөндіргішті (4) «O» күйіне белгілеп, машинаны сөндіріңіз, және артық майды құрғақ матаның көмегімен жойыңыз.



ҚАЗАҚША

- Желі бауының күйін қадағалаңыз, оның көп рет бұратылуына жол бермеңіз, мезгілімен машинканы сөндіріп отырыңыз және желі бауын түзетіңіз.
- Адамды оның басы сіздің көзіңіздің деңгейінде болатындай етіп отырғыңыз, адамның иықтарын сүлгімен жабыңыз, тарақпен шашты тараңыз.

Еске салу

- *Бір өткенде шамалы шашты ғана қырқыңыз — қажет болған кезде оларды қосымша қырку үшін қырқылған бөлікке әрқашан қайта оралуға болады.*
- *Шашты қырқудың ең жақсы нәтижесіне дымқыл емес, құрғақ шашпен жұмыс істегенде қол жеткізуге болады.*
- *Тегіс емес бұрымдарды анықтау үшін шашты тарақпен (9) тараңыз.*
- *Шаш қырқудың алғашқысында ұзынырақ шаш қалдырған дұрыс.*
- *Машинканы игерген сайын, сіз өз бетіңізбен қажетті шаш үлгілерін модельдей аласыз.*

Қондырма-тарақтар

Қырқатын шаштың биіктігі пайдаланылатын қондырмаға байланысты болады:

- қондырма-тарақ (5): шаштың биіктігі 3 мм;
- қондырма-тарақ (6): шаштың биіктігі 6 мм;
- қондырма-тарақ (7): шаштың биіктігі 9 мм;
- қондырма-тарақ (8): шаштың биіктігі 12 мм.

Таңдалған қондырма-тарақты жүзге тістерін жоғары қаратып орнатыңыз және қондырманың төменгі жағындағы шығыңқыға ол бекітілгенге дейін басыңыз. Шашты қырқуды бастау алдында қондырма өз отырғызатын орнына бекітілгеніне көз жеткізіңіз. Қондырма-тарақты шешіп алу үшін бекіткішке басыңыз және қондырманы шешіп алыңыз.

Бірінші қадам

Қондырма-тарақты 3 мм (5) немесе 6 мм (6) орнатыңыз. Машинаны сөндіргішпен (4) қосыңыз, ол үшін оны күйіне «I» орнатыңыз. Машинаны жүздері (1) жоғары бағытталатындай етіп ұстаңыз. Қиюды шаштың өсіп келе жатқан жағынан бастаңыз. Машинаны баяу жоғары бағытқа қарай жылжытыңыз. Бастың артқы бөлігіндегі төменгі жақтағы және құлақтың қасындағы барлық шаштарды қиыңыз (сур. 3, 4, 5).



ҚАЗАҚША

Екінші қадам

Сөндіргішті (4) «О» күйіне қойып машинаны өшіріңіз, және желі бауының ашасын электр розеткасынан суырыңыз, ұзындау шашқа арналған (7) 9 мм немесе (8) 12 мм қондырма-тарақты орнатыңыз, машинаны қосыңыз және бастың төбесіне жақын орналасқан шашты қыркуды жалғастырыңыз (сур. 6).

Үшінші қадам – самай маңындағы шашты қырку

Машинканы сөндіріңіз және желі бауының ашасын электр розеткасынан шығарыңыз, қондырма-тарақты 3 мм (5) немесе 6 мм (6) орнатыңыз және самайдағы шашты қырқыңыз. Содан кейін (7) 9 мм немесе (8) 12 мм қондырма-тарақты орнатыңыз және төбе бағытында шашты қыркуды жалғастырыңыз (сур. 5).

Төртінші қадам – еңбек төбесі маңындағы шашты қию

Қондырма-тарақты (7) 9 мм немесе (8) 12 мм пайдаланып, төбесінен еңбек төбесіне қарай шаштың өсуіне қарсы қиыңыз (сур. 6).

- Шашты шаштың өсу бағытына қарсы және шаштың өсу бағыты бойынша қиюға болады, осы жерде шаштың өсуіне қарсы бағытта қиылған шаш, шаштың өсу бағыты бойынша қиылған шашқа қарағанда қысқарақ болатындығын ескеріңіз.
- (5) 3 мм немесе (6) 6 мм қондырмаларды өте қысқа қию үшін пайдаланыңыз. Шашты ұзынырақ қалдыру үшін (7) 9 мм немесе (8) 12 мм қондырмаларды пайдаланыңыз.
- Көбірек ұзын шаш қалдыру үшін шашты саусақ арасына қысыңыз және оларды машинамен қиыңыз (сур. 7).
- Тарақты пайдалануға болады: шаш бұрымдарын көтеріңіз және тарақ (9) үстінен машинамен қырқыңыз (сур. 8).
- Шаш алуды үнемі бастың артқы жағынан бастаңыз.
- Шаштың тегіс емес бұрымдарын анықтау үшін тарақпен (9) тараңыз.
- Шашты тегістеу үшін қайшыны (10) пайдаланыңыз.

5 қадам – қорытынды бөлім

– Шаш үлгісін модельдеуді аяқтайтын кезеңде машинадан қондырма-тарақты шешіп алыңыз, машинаны жүздерін (1) шашқа қаратып аударыңыз



ҚАЗАҚША

және самай мен мойын тұстағы шашты абайлап тегістеп шығыңыз. Машинаға күштеп баспаңыз, ашық жүздердің (1) терімен жанасуы кезінде жарақаттанып қалуға немесе кесіліп кетуге болады (сур. 9).

Конус тәрізді шаш қырку

Қажетті қондырма-тарақты орнатыңыз және шашты қыркуды бастың артқы жағынан төбесіне қарай бастаңыз. Бастың алдыңғы бөлігіндегі шашты төбе бағытына қарай және самай шаштарды олардың өсуіне қарсы бағытта қырқыңыз (сур. 10). Төбесі жалпақ шаш үлгісін қию үшін тарақты пайдаланыңыз: шаш тарамдарын көтеріңкіреп отырып тарақ бойымен қырқыңыз. Тегіс емес тарамдарын табу үшін шашты тарақпен тараңыз.

Шаш қиюды аяқтап, машинаны өшіріңіз, ол үшін құрылғының қуаттандыру сөндіргішін (4) «O» күйіне орнатып, желі бауының ашасын розеткадан суырыңыз.

ТАЗАЛАУ ЖӘНЕ КҮТІМ

Жүздерді майлау

Жүздерді (1) қолданғаннан кейін және шаш қырқатын машинаны әр қолданар алдында қыркуға арналған машинаны, жеткізу жиынтығына кіретін маймен (11) майлау қажет.

- Сөндіргіштің (4) көмегімен машинаны өшіріңіз және электр розеткасынан желі бауының ашасын суырыңыз.
- Майдың (11) бір-екі тамшысын жүздердің (1) тістеріне және жоғарғы жүздердің артқы бөлігіне жағыңыз, машинаны іске қосыңыз және ұстаралар жүрісінің жатықтығына көз жеткізіңіз.
- Аспапты сөндіріңіз, артық майды құрғақ матамен сүртіңіз.

Назар аударыңыз! Жеткізілім жиынтығына кіретін майды (11) ғана пайдаланыңыз. Майлау үшін өсімдік майын, тоң майды, еріткіштер қосылған майлар қоспасын ҚОЛДАНБАҢЫЗ. Еріткіштер булануға душар, одан кейін қалған қою май жүздердің қозғалу жылдамдығын баяулатуы мүмкін.

Шаш қырқатын машинаны тазалау

- Машинаны сөндіріңіз және оны электр желісінен ажыратыңыз.
- Жүздерден (1) қиылған шаштардың қалдықтарын, қылшақты (12) пайдаланып жойыңыз.



ҚАЗАҚША

- Машина корпусын (3) және аксессуарларды сәл дымқыл матамен, содан кейін оларды жұмсақ матамен құрғатып сүртіңіз.
- Машинаны суға немесе басқа сұйықтықтарға батыруға тыйым салнады.
- Машинаны тазалау үшін еріткіштерді немесе абразивті тазалағыш заттарды пайдалануға тыйым салынады.

САҚТАУ

- Машинаны сақтауға алып қоюдың алдында оны тазартыңыз және жүздерді (1) маймен (11) майлаңыз.
- Шаш қырқатын машинаны құрғақ салқын және балалар мен мүмкіндігі шектеулі адамдардың қолы жетпейтін жерде сақтаңыз.

ЖЕТКІЗІЛІМ ЖИЫНТЫҒЫ

Шаш қырқатын машина (жүздері бар) – 1 дн.

Қондырма-тарақ – 4 дн.

Майлауға арналған май – 1 дн.

Тазалауға арналған қылшақ – 1 дн.

Тарақ – 1 дн.

Қайшы – 1 дана.

Желілік адаптер – 1 дн.

Пайдалану бойынша нұсқаулық – 1 дн.

Кепілдік талоны – 1 дн.

ТЕХНИКАЛЫҚ СИПАТТАМАЛАРЫ

Шаш қырқатын машина

Кірістірілген аккумуляторлық

батарея: Li-ion 2000 mAh 3,7 В

Үздіксіз жұмыс істеу уақыты: 3,5 сағаттан артық

Батареяны қуаттау уақыты: 2,5-3 сағ

Кіріс кернеуі: 5 В === 1000 мА

Қуаттау адаптері

Электр қуаттандыру: 100-240 В ~ 50 Гц 0,2 А

Шығыс кернеуі: 5 В === 1000 мА



НАЗАР АУДАРЫҢЫЗ! Аспапты ванна бөлмесіндегі, душ, бассейн ж.т.б. су маңында пайдалануға болмайды.



ҚАЗАҚША

ҚАЙТА ӨНДЕУ



Қоршаған ортаны қорғау мақсатында, аспаптың және қуаттандыру элементтерінің (егер жинақтың құрамына кірсе) қызмет ету мерзімі аяқталғаннан кейін, оларды күнделікті тұрмыстық қалдықтармен бірге тастауға болмайды, аспап пен қуаттандыру элементтерін ары қарай кәдеге асыру үшін мамандандырылған орындарға өткізу керек.

Бұйымдарды қайта өңдеу кезінде пайда болатын қалдықтар белгіленген тәртіп бойынша келесі қайта өңделетін міндетті жинауға жатады.

Берілген өнімді қайта өңдеу туралы қосымша ақпаратты алу үшін жергілікті муниципалитетке, тұрмыстық қалдықтарды қайта өңдеу қызметіне немесе берілген өнімді Сіз сатып алған дүкенге хабарласыңыз.

Дайындаушы аспапты жақсарту мақсатында, алдын-ала хабарламай, аспаптың дизайнын, конструкциясы және оның жұмыс қағидатына әсер етпейтін техникалық сипаттарын өзгерту құқығын өзіне қалдырады, соған байланысты нұсқаулық пен бұйымның арасында кейбір айырмашылықтар болуы мүмкін. Егер пайдаланушы осындай сәйкессіздіктерді анықтаса, нұсқаулықтың жаңартылған нұсқасын алу үшін сәйкессіздік туралы info@vitek.ru электрондық поштасына хабарлауыңызды сұраймыз.

Аспаптың қызмет ету мерзімі – 3 жыл

Гарантиялық міндеттілігі

Гарантиялық жағдайдағы қаралып жатқан бөлшектер дилерден тек сатып алынған адамға ғана беріледі. Осы гарантиялық міндеттілігіндегі шағымдалған жағдайда төлеген чек немесе квитанциясын көрсетуі қажет.

ЕАС

УКРАЇНЬСКА

НАБІР ДЛЯ ПІДСТРИГАННЯ VT-1369

Даний набір призначений для підстригання волосся та моделювання зачісок

ОПИС

1. Леза
2. Регулятор переміщення леза
3. Корпус
4. Вимикач живлення «0/1»
5. Насадка-гребінець 3 мм
6. Насадка-гребінець 6 мм
7. Насадка-гребінець 9 мм
8. Насадка-гребінець 12 мм
9. Гребінець
10. Ножиці
11. Мاستило
12. Пензлик для чищення
13. LED-підсвічування
14. Мережний адаптер

УВАГА!

Не використовувати пристрій поблизу води у ванних кімнатах, душових, басейнах і т. ін.

- При використанні пристрою у ванній кімнаті його слід вимикати з електромережі відразу після експлуатації, тобто вийнявши вилку мережного шнура з електричної розетки, оскільки близькість води становить небезпеку навіть у тих випадках, коли пристрій вимкнений вимикачем.
- Для додаткового захисту у колі живлення ванної кімнати доцільно встановити пристрій захисного вимкнення (ПЗВ) з номінальним струмом спрацювання, що не перевищує 30 мА; при установленні слід звернутися до фахівця.

ЗАХОДИ БЕЗПЕКИ

Перед початком використання пристрою уважно прочитайте цю інструкцію і зберігайте її як довідковий матеріал протягом всього терміну експлуатації. Використовуйте пристрій лише за його прямим призначенням, як викладено у цій інструкції. Неправильне поводження з пристроєм може призвести до його поломки, завдання шкоди користувачеві або його майну.

УКРАЇНЬСКА

- Перед першим вмиканням переконайтеся, що напруга електричної мережі відповідає робочій напрузі пристрою.
- Мережний шнур не має:
 - стикатися з гарячими предметами та поверхнями,
 - занурюватися у воду,
 - протягуватися через гострі кромки меблів,
 - використовуватися як ручка для перенесення пристрою.
- Машинка для підстригання не призначена для професійного використання.
- Використовуйте машинку тільки для підстригання натурального людського волосся, волосся має бути сухим.
- Забороняється використовувати пристрій для підстригання штучного волосся та шерсті тварин.
- Використовуйте лише насадки з комплекту поставання.

УВАГА! *Забороняється занурювати машинку для підстригання, мережний шнур та вилку мережного шнура у воду або будь-які інші рідини. Забороняється промивати леза машинки під струменем води.*

- Під час роботи не торкайтеся корпусу машинки та мережного шнура мокрими руками.
- Забороняється використовувати пристрій поза призначенням.
- Не використовуйте пристрій у місцях з підвищеною температурою та відносною вологістю більше 80%.
- Не вмикайте пристрій у місцях, де розпоршуються аерозолі або використовуються легкозаймисті рідини.
- Не зберігайте пристрій поруч з наповненою водою ванною або раковиною.
- Якщо пристрій упав у воду, негайно вийміть мережну вилку з електричної розетки, і тільки після цього можна дістати пристрій з води.
- Забороняється використовувати машинку з пошкодженими насадками або лезами.
- Після кожного використання очищайте насадки та леза від зрізаного волосся за допомогою щітки.
- Наглядайте за чистотою лез та наявністю на них мастила.



УКРАЇНЬСКА

- Ніколи не залишайте працюючий пристрій без нагляду.
- Вимикайте машинку у перервах в роботі, а також в тих випадках, коли не користуєтеся нею.
- Діти мають перебувати під наглядом для недопущення ігор з пристроєм.
- Не дозволяйте дітям торкатися корпусу машинки та мережного шнура під час роботи пристрою.
- Під час роботи і у перервах між робочими циклами розміщайте пристрій у місцях, недоступних для дітей і людей з обмеженими здібностями.
- Цей пристрій не призначений для використання дітьми.
- Пристрій не призначений для використання особами (включаючи дітей) зі зниженими фізичними, сенсорними або розумовими здібностями або при відсутності у них життєвого досвіду або знань, якщо вони не знаходяться під контролем або не проінструктовані щодо використання пристрою особою, відповідальною за їх безпеку.
- Будьте особливо уважні, якщо поблизу від працюючого пристрою знаходяться діти або особи з обмеженими здібностями.
- З міркувань безпеки дітей не залишайте поліетиленові пакети, що використовуються як упаковка, без нагляду.

Увага! Не дозволяйте дітям грати з поліетиленовими пакетами або плівкою. **Небезпека задущення!**

- При пошкодженні шнура живлення його заміну, щоб уникнути небезпеки, мають робити виробник, сервісна служба або подібний кваліфікований персонал.
- Забороняється самостійно ремонтувати пристрій. Не розбирайте пристрій самостійно, при виникненні будь-яких несправностей, а також після падіння пристрою вимкніть пристрій з електричної розетки та зверніться до будь-якого авторизованого (уповноваженого) сервісного центру за контактними адресами, вказаними у гарантійному талоні та на сайті www.vitek.ru.
- Перевозьте пристрій лише у заводській упаковці.
- Зберігайте пристрій у місцях, недоступних для дітей та людей з обмеженими можливостями.



УКРАЇНЬСКА

ЦЕЙ ПРИСТРІЙ ПРИЗНАЧЕНИЙ ДЛЯ ВИКОРИСТАННЯ ЛИШЕ У ПОБУТОВИХ УМОВАХ. ЗАБОРОНЯЄТЬСЯ КОМЕРЦІЙНЕ ВИКОРИСТАННЯ ТА ВИКОРИСТАННЯ ПРИСТРОЮ У ВИРОБНИЧИХ ЗОНАХ ТА РОБОЧИХ ПРИМІЩЕННЯХ.

ПЕРЕД ПЕРШИМ ВМИКАННЯМ

У разі транспортування або зберігання пристрою при зниженій температурі необхідно витримати його при кімнатній температурі не менше трьох годин.

- Видаліть будь-які елементи упаковки та рекламні наклейки, що заважають роботі пристрою.
- Перевірте цілісність пристрою, якщо є пошкодження, не користуйтеся пристроєм.
- Перед увімкненням переконайтеся, що напруга пристрою відповідає напрузі електромережі.

Леза (1)

- Леза (1) є витратними матеріалами, і гарантія на них не поширюється.
- За станом різальних крайок лез споживач зобов'язаний стежити самостійно, оскільки заго-стрення (шліфування) різальних крайок лез не вхо-дить у гарантійні зобов'язання.
- Якщо леза (1) знімалися для чищення або заміни, установіть їх назад, вирівняйте та затягніть кріпильні гвинти (мал. 1).

Регулятор переміщення леза (2) (мал. 2)

- Під час підстригання без насадок (5, 6, 7, 8) ви може-те переміщати лезо, регулюючи тим самим довжину зрізаємого волосся.
- У верхньому положенні регулятора (2) стрижка вийде найкоротшою.
- У нижньому положенні регулятора (2) довжина зріза-ємого волосся буде приблизно такою ж, як при вико-ристанні насадки (5) 3 мм.
- Змінюючи положення регулятора (2) під час підстри-гання, ви можете вибрати необхідну довжину зріза-ємого волосся.
- Якщо при підстриганні відбулося затиснення волос-ся між лезами (1), для звільнення волосся необхідно декілька разів перевести регулятор (2) з верхнього

УКРАЇНЬСКА

- положення у нижнє або навпаки, це допоможе звільнити затиснуте волосся, не знімаючи леза (1).
- При увімкнутій машинці для підстригання декілька разів переведіть регулятор (2) з верхнього положення у нижнє або навпаки, таким чином можна усунути з лез зрізане (1) волосся.
 - Якщо під час підстригання машинка смикає волосся, це означає, що леза (1) затупились і їх слід замінити новими.

Мастило

- Перед першим використанням перевірте наявність мастила на лезах (1) та в разі необхідності змастіть їх мастилом (11), що входить до комплекту постачання. Наглядайте за чистотою лез (1) та наявністю на них мастила.
- Не використовуйте рослинну олію або мастило, до складу якого входять розчинники. Розчинники можуть випаруватися, а залишки густого мастила можуть сповільнити швидкість переміщення верхнього леза (1).

ІНСТРУКЦІЯ З МОДЕЛЮВАННЯ ЗАЧІСКИ

Перед кожним використанням машинки для підстригання обов'язково очистіть леза (1) від волосся, пилу або будь-яких сторонніх включень, а також змастіть леза (1) та перевірте їх регулювання.

- Під час підстригання волосся має бути чистим та сухим.
- Розмотайте мережний шнур адаптера (14) на всю його довжину.
- Вставте вилку мережного шнура в електричну розетку.
- Перед початком підстригання ввімкніть машинку, перевівши вимикач (4) в положення «I», на корпусі синім кольором загориться LED-підсвічування. Переконайтеся, що машинка працює без збоїв, а хід лез (1) – плавний. При надлишку на лезах (1) мастила вимкніть машинку, установивши вимикач (4) у положення «O», та видаліть зайве мастило за допомогою сухої тканини.
- Наглядайте за станом мережного шнура, не допускайте його багатократного перекручення, періодич-

УКРАЇНЬСКА

но вимикайте машинку та розпрямляйте мережний шнур.

- Посадіть людину таким чином, щоб його голова була приблизно на рівні ваших очей, плечі людини прикрийте рушником, розчешіть волосся за допомогою гребінця.

Нагадування:

- *Зрізуйте невелику кількість волосся за один прохід – у разі необхідності завжди можна повернутися до вже підстриженої ділянки волосся для його додаткового підстригання.*
- *Найкращі результати підстригання досягаються при роботі з сухим, а не вологим волоссям.*
- *Розчісуйте волосся гребінцем (9) для виявлення нерівних пасом.*
- *Для першого разу після підстригання краще залишити довгіше волосся.*
- *У міру освоєння машинки ви зможете самостійно моделювати необхідні зачіски.*

Насадки-гребінці

Висота залишаемого волосся залежить від використовуваної насадки:

- насадка-гребінець (5): висота волосся 3 мм;
- насадка-гребінець (6): висота волосся 6 мм;
- насадка-гребінець (7): висота волосся 9 мм;
- насадка-гребінець (8): висота волосся 12 мм.

Встановіть вибрану насадку-гребінець на леза зубами вгору та натисніть на виступ у нижній частині насадки до її фіксації. Переконайтеся, що насадка зацепилася на своєму посадковому місці перед початком підстригання. Для зняття насадки-гребінця натисніть на фіксатор та зніміть насадку.

Крок перший

Установіть насадку-гребінець (5) 3 мм або (6) 6 мм.

Увімкніть машинку вимикачем (4), установивши його в положення «I». Тримайте машинку таким чином, щоб леза (1) були направлені вгору. Починайте підстригання з початку зростання волосся. Повільно переміщайте машинку у напрямку вгору. Підстрижіть все волосся знизу задньої частини голови та біля вух (мал. 3, 4, 5).



УКРАЇНЬСКА

Крок другий

Вимкніть машинку вимикачем (4), перевівши його у положення «О», та витягніть вилку мережного шнура з електричної розетки, установіть насадку-гребінець для довгішого волосся (7) 9 мм або (8) 12 мм, увімкніть машинку та продовжуйте стригти волосся ближче до маківки голови (мал. 6).

Крок третій — підстригання у ділянці висків

Вимкніть машинку та витягніть вилку мережного шнура з електричної розетки, установіть насадку-гребінець (5) 3 мм або (6) 6 мм та підстрижіть волосся на висках. Потім установіть насадку-гребінець (7) 9 мм або (8) 12 мм та продовжуйте підстригання у напрямку до маківки (мал. 5).

Крок четвертий – підстригання у ділянці тімені

Використовуючи насадку-гребінець (7) 9 мм або (8) 12 мм, стрижіть волосся у напрямку від маківки до тімені проти напрямку росту волосся (мал. 6).

- Волосся можна стригти проти напрямку зростання та у напрямку зростання, але майте на увазі, що волосся, підстрижене проти напрямку зростання, буде коротше волосся, підстриженого у напрямку зростання.
- Використовуйте насадки (5) 3 мм і (6) 6 мм для дуже короткої стрижки. Щоб залишити волосся трохи довше, використовуйте насадки (7) 9 мм або (8) 12 мм.
- Щоб залишити довгіше волосся, затискайте пасма волосся між пальцями та зістригайте їх машинкою (мал. 7).
- Можна використовувати гребінець: трохи піднімайте пасма волосся та зістригайте їх машинкою поверх гребінця (9) (мал. 8).
- Завжди починайте підстригання з задньої частини голови.
- Розчісуйте волосся гребінцем (9) для виявлення нерівних пасом.
- Використовуйте ножиці (10) для підрівнювання волосся.



УКРАЇНЬСКА

Крок 5 – заключна частина

У заключній стадії моделювання зачіски зніміть з машинки насадку-гребінець, розверніть машинку лезами (1) у бік волосся та акуратно підрівняйте волосся на висках і на шиї. Не тисніть на машинку з силою, при контакті відкритих лез (1) з шкірою можна отримати порізи або травму (мал. 9).

Конусоподібна стрижка

Установіть необхідну насадку-гребінець та почніть підстригання з задньої частини голови у напрямку до верхівки. Підстрижіть волосся проти напрямку їх росту з передньої частини голови у напрямку до маківки та з боків (мал. 10). Для отримання стрижки з плоскою маківкою використовуйте гребінець: трохи піднімайте та зістригайте пасма волосся по гребінцю. Розчісуйте волосся гребінцем для виявлення нерівних пасом.

Завершивши підстригання волосся, вимкніть машинку, установивши вимикач живлення (4) у положення «0», та витягніть вилку мережного шнура з розетки.

ЧИЩЕННЯ ТА ДОГЛЯД

Змащування лез

Леза (1) необхідно змащувати після використання та перед кожним використанням машинки для підстригання мастилом (11), що входить до комплекту постачання.

- Вимкніть машинку вимикачем (4) та витягніть вилку мережного шнура з електричної розетки.
- Нанесіть одну-дві краплі мастила (11) на зуби лез (1) та на задню частину верхнього леза, увімкніть машинку та переконайтеся у плавності ходу лез.
- Вимкніть пристрій, витріть зайве мастило сухою тканиною.

Увага! – Використовуйте лише те мастило (11), яке входить до комплекту постачання. НЕ ВИКОРИСТОВУЙТЕ для змащування рослинну олію, жир, суміш олії з розчинниками. Розчинники можуть випаруватися, після чого залишки густого мастила можуть сповільнити швидкість переміщення лез.

Чищення машинки для підстригання

- Вимкніть машинку та від'єднайте її від електромережі.
- Видаліть залишки зістриженого волосся з лез (1), використовуючи для цього пензлик (12).

УКРАЇНЬСКА

- Протріть корпус машинки (3) та аксесуари злегка вологою тканиною, після цього витріть їх насухо м'якою тканиною.
- Забороняється занурювати машинку у воду або у будь-яку іншу рідину.
- Забороняється для чищення машинки використовувати розчинники або абразивні очищувальні засоби.

ЗБЕРІГАННЯ

- Перш ніж забрати машинку на зберігання, зробіть чищення та змастіть леза (1) мастилом (11).
- Зберігайте машинку для підстригання у сухому прохолодному місці, недоступному для дітей та людей з обмеженими можливостями.

КОМПЛЕКТ ПОСТАЧАННЯ

Машинка для підстригання (з лезами) – 1 шт.

Насадка-гребінець – 4 шт.

Мастило – 1 шт.

Пензлик для чищення – 1 шт.

Гребінець – 1 шт.

Ножиці – 1 шт.

Мережний адаптер – 1 шт.

Інструкція з експлуатації – 1 шт.

Гарантійний талон – 1 шт.

ТЕХНІЧНІ ХАРАКТЕРИСТИКИ

Машинка для підстригання

Вбудована акумуляторна батарея: Li-ion 2000 мАг 3,7 В

Час безперервної роботи: більше 3,5 години

Час зарядження батареї: 2,5-3 години

Вхідна напруга: 5 В \equiv 1000 мА

Адаптер живлення

Електроживлення: 100-240 В ~ 50 Гц 0,2 А

Вихідна напруга: 5 В \equiv 1000 мА



УВАГА! Не використовувати пристрій поблизу води у ванних кімнатах, душових, басейнах і т. ін.

УКРАЇНЬСКА

УТИЛІЗАЦІЯ



Для захисту навколишнього середовища після закінчення терміну служби пристрою та елементів живлення (якщо входять до комплекту) не викидайте їх разом зі звичайними побутовими відходами, передайте пристрій та елементи живлення у спеціалізовані пункти для подальшої утилізації.

Відходи, що утворюються при утилізації виробів, підлягають обов'язковому збору з подальшою утилізацією установленим порядком.

Для отримання додаткової інформації про утилізацію даного продукту зверніться до місцевого муніципалітету, служби утилізації побутових відходів або до крамниці, де Ви придбали цей продукт.

Виробник зберігає за собою право змінювати дизайн, конструкцію та технічні характеристики, які не впливають на загальні принципи роботи пристрою, без попереднього повідомлення, через що між інструкцією та виробом можуть спостерігатися незначні відмінності. Якщо користувач виявив такі невідповідності, просимо повідомити про це по електронній пошті info@vitek.ru для отримання оновленої версії інструкції.

Термін служби пристрою – 3 роки

Гарантія

Докладні умови гарантії можна отримати в дилера, що продав дану апаратуру. При пред'явленні будь-якої претензії протягом терміну дії даної гарантії варто пред'явити чек або квитанцію про покупку.



Даний продукт відповідає вимогам Директиви 2014/30/ЄС щодо електромагнітної сумісності та Директиви 2014/35/ЄС щодо низьковольтного обладнання.



КЫРГЫЗ

ЧАЧ КЫРКУУЧУ АСПАП VT-1369

Бул аспап чач кыркуу жана чачтарамды жасалоо үчүн арналган

СЫПАТТАМА

1. Миздер
2. Мизин жылдыруучу жөндөгүчү
3. Корпус
4. Азыктандуруунун өчүргүчү «0/1»
5. Тарак насадкасы 3 мм
6. Тарак насадкасы 6 мм
7. Тарак насадкасы 9 мм
8. Тарак насадкасы 12 мм
9. Тарак
10. Кайчы
11. Майлоочу майы
12. Тазалоо үчүн кыл калем
13. LED жарыгы
14. Тармактык адаптер

КӨҢҮЛ БУРУҢУЗ!

Түзмөктү ванна бөлмөсүндө, душ, бассейн ж.у.с. жерлерде суунун жанында колдонбоңуз.

- *Түзмөктү ванна бөлмөсүндө пайдаланууда, колдонгондон кийин аны электр тармагынан дароо ажыратып башкача айтканда тармактык шнурдун айрысын электр тармагынан сууруп, түзмөктү өчүрүү зарыл, себеби суунун жакындыгы түзмөк өчүргүч менен өчүрүлгөндө деле коркунучту жаратат.*
- *Кошумча коргонуу үчүн ванна бөлмөсүндөгү электр тармагында потенциалдуу иштеткен тогу 30 мА ашырбаган коргоп өчүрүүчү аспабын (КӨА) орнотулушу максатка ылайыктуу. Аспапты орнотулуш үчүн адиске кайрылыңыз.*

КООПСУЗДУК ЧАРАЛАРЫ

Электр шайманды пайдалануудан мурун ушул колдонмону көңүл коюп окуп-үйрөнүп, аны маалымат катары бүткүл кызмат мөөнөтүнө сактап алыңыз. Шайманды тике дайындоо боюнча гана, ушул колдонмодо жазылганга ылайыктуу колдонуңуз. Шайманды туура эмес пайдалануу анын бузулуусуна, колдонуучуга же колдонуучунун мүлкүнө зыян келтирүүгө алып келиши мүмкүн.

- Шайманды иштеткенден мурун анын иштөөчү чыңалуусу электр тармагынын чыңалуусуна ылайык болгонун текшерип алыңыз.



- Электр шнурун:
 - ысык буюмдарга же беттерге тийгизбей,
 - сууга салбай,
 - учтуу кырлардын үстүтнөн тартпай,
 - шайманды көтөрүү үчүн тутка катары пайдаланбаңыз.
- Чач кыркуу үчүн аспап кесиптик колдонуу үчүн арналган эмес.
- Шайманды табигый адам чачын кыркуу үчүн гана колдонуңуз, чач кургак болу зарыл.
- Шайманды жасалма чачты жана жаныбар жүнүн кыркуу үчүн колдонууга тыюу салынат.
- Жыйынтыгына кирген насадкаларын гана пайдаланыңыз.

КӨҢҮЛ БУРУҢУЗДАР! Чач кыркуу үчүн аспапты, электр шнурун, кубаттануучу сайгычын сууга же башка суюктуктарга салууга тыюу салынат. Аспаптын миздерин суу агымынын астында жууганга тыюу салынат.

- Иштеп турган шаймандын корпусун жана электр шнурун суу колуңуз менен тийбеңиз.
- Шайманды турак жайлардын сыртында колдонууга тыюу салынат.
- Шайманды температурасы жогору же салыштырмалуу нымдуулугу 80% ашык болгон жерлерде колдонбоңуз.
- Шайманды аэрозолдорду чачкан же жеңил жалындап кетүүчү суюктуктар колдонулган жерлерде колдонбоңуз.
- Суу толтурулган ванна же раковинанын жанында аспапты сактабаңыз.
- Шайман сууга түшкөн болсо, токтоосуз кубаттуучу сайгычты розеткадан суруп, андан кийин гана шайманды суудан чыгарсаңыз болот.
- Насадкалары же миздери бузулган аспапты колдонууга тыюу салынат.
- Ар колдонуудан кийин насадкалары менен миздерин кыл калеминин жардамы менен кыркылган чачтан тазалаңыз.
- Миздер таза болгонун жана малоочу майы бар болгонун байкап туруңуз.
- Иштеп турган шайманды эч качан кароосуз калтырбаңыз.
- Колдонуу арасындагы тыныгууларда же колдонбой турганда аспапты өчүрүп туруңуз.
- Балдар түзмөк менен ойногонго жол бербегени үчүн аларга көз салуу зарыл.
- Иштеп турган шаймандын корпусун жана электр шнурун тийүүгө балдарга уруксат бербей.
- Шайманды иштетип турганда жана иштетүү циклдардын арасында шайманды балдар жана жөндөмдүүлүгү төмөн адамдар жетпеген жерлерде сактаңыз.



КЫРГЫЗ

- Бул шайман балдар колдонуу үчүн ылайыкташтырылбаган.
- Бул шайман дене күчү, сезими же акыл-эси жагынан жөндөмдүүлүгү чектелген (ошонун ичинде балдар да) адамдар же колдонуу боюнча тажрыйбасы же билими жок болгон адамдар, эгерде алардын коопсуздугуна жооптуу адам аларды көзөмөлдөп же нускамалоо болбосо колдонуу үчүн ылайыкташтырылган эмес.
- Шайман иштеп турган учурда жанында балдар же жөндөмдүүлүгү төмөн адамдар бар болгондо өзгөчө абайлап туруңуз.
- Балдардын коопсуздугу үчүн таңгак катары колдонулган полиэтилен баштыктарды кароосуз таштабаңыз.

Көңүл буруңуздар! *Полиэтилен баштыктар же таңгак пленкасы менен ойногонго балдарга уруксат бербейсиз! Тумчуктуруунун коркунучу бар!*

- Электр шнуру бузук болгондо коопчулуктарга жол бербегени үчүн аны өнүктүрүүчү, тейлөө кызмат же аларга окшогон дасыккан кызматкерлер алмаштырууга тийиш.
- Шайманды өз алдынча оңдогонго тыюу салынат. Шайманды өз алдынча ажыратпай, ар кыл бузулуулар пайда болгон же шайман кулап түшкөн учурларда аны розеткадан суруп, кепилдик талонундагы же www.vitek.ru сайтындагы тизмесине кирген автордоштурулган (ыйгарым укуктуу) тейлөө борборуна кайрылыңыз.
- Шайманды заводдук таңгагында гана транспорттоо зарыл.
- Шайманды балдар жана жөндөмдүүлүгү төмөн болгон адамдар жетпеген жеринде сактаңыз.

БУЛ ТҮЗМӨК ТУРМУШ-ТУРУКТУУ ШАРТТАРДА КОЛДОНГОНУ ҮЧҮН ГАНА АРНАЛГАН. ШАЙМАНДЫ КОММЕРЦИЯЛЫК ПАЙДАЛАНУУГА ЖАНА ӨНДҮРҮШ ЗОНАЛАРДА ЖАНА ЖУМУШЧУ ИМАРАТТАРДА ТҮЗМӨКТҮ ИШТЕТҮҮГӨ ТЫЮУ САЛЫНАТ.

БИРИНЧИ ИШТЕТҮҮНҮН АЛДЫНДА

Төмөндөгөн температурада түзмөктү транспорттоодон же сактоодон кийин аны үч сааттан кем эмес мөөнөткө үй температурасында кармап иштетүү зарыл.

- Түзмөктүн иштөөсүнө тоскоолдук кылган ар кыл таңгак элементтерин жана чаптамаларын алып салыңыз.
- Түзмөктүн бүтүндүгүн текшерип алыңыз бузулуулары бар болсо, шайманды иштетпеңиз.



- Шайманды иштеткенден мурун анын иштөө чыңалуусу электр тармагындагы чыңалуусуна ылайык болгонун текшерипиз.

Миздер (1)

- Миздер (1) сарпбөлүктөр болуп, кепилдик аларга таралбайт.
- Миздердин кесүү чектеринин абалын колдонуучу өзү байкап туруу зарыл, себеби миздердин кесүү чектерин курчутуу (жылмайтуу) кепилдик милдеттердин санына кирбейт.
- Миздери (1) тазалоо үчүн же алмаштыруу үчүн чечилген болсо, аларды орнотуу жайларына кайрадан коюп, текшилетип, бекитүүчү буралгы менен бекитип салыңыз (сүр.1).

Миз жылып тургандын жөндөгүчү (2) (сүр. 2)

- Саптамалары (5, 6, 7, 8) чечилип турганда чачты кыркууда мизди жылдырып, ал аркылуу кыркылган чачтын узундугун жөнгө салсаңыз болот.
- Жөндөгүчтүн (2) эң үстүнкү абалында чач эң кыска болот.
- Жөндөгүчтүн (2) астынкы абалында кыркылган чачтын узундугу 3 мм саптаманы (5) колдонуп кыркылган чач менен чамалуу бирдей болот.
- Чач кыркуунун убагында жөндөгүчтү (2) жылдырып, сиз кыркылган чачтын керектүү узундугун таңдасаңыз болот.
- Чач кыркуу убагыда чачыңыз миздердин (1) арасында кыпчылып калса, жөндөгүчтү (2) үстүнкү абалынан астынкы абалына бир нече жолу которуу зарыл, бул кысылган чачты миздерин (1) чечпей чыгарууга жардам берет.
- Чач кыркуучу аспап иштеп турганда жөндөгүчтү (2) үстүнкү абалынан астынкысына өткөзүңүз, ошентип миздерден (1) кыркылган чачты алып салсаңыз болот.
- Чач кыркуу убагында аспап чачты тартып турса, бул миздери (1) мокок болуп калганын белгилейт, аларды жаңы миздерге алмаштыруу зарыл.

Майлагыч майы

- Биринчи колдонуунун алдында миздеринде (1) малагыч майы бар болгонун текшерип, зарыл болсо аларды топтомуна кирген май (11) менен майлап салыңыз. Миздер (1) таза болгонун жана майлоочу майы бар болгонун байкап туруңуз.



КЫРГЫЗ

- Өсүмдүк майын же ичинде эриткичтери бар майды колдонбоңуз. Эриткичтер бууланып жок болууга дуушар, ал эми коюу май үстүнкү миздин (1) кыймылдоосунун ылдамдыгын азайтуу мүмкүн.

ЧАЧТАРАМДЫ ЖАСОО ЖӨНҮНДӨГҮ КОЛДОНМО

Чач кыркуу аспапты ар колдонуунун алдында миздерди (1) милдеттүү түрдө чач, чаң же ар кыл башкача нерселерден тазалап, миздерин (1) майлап, алардын туура орнотулганын текшерип алыңыз.

- Кыркып жаткан убакта чач таза жана кургак болуусу зарыл.
- Адаптердин (14) тармактык шнурун толук узундугуна жандырып алыңыз.
- Тармактык шнурдун сайгычын электр розеткасына сайыңыз.
- Кыркып баштагандын алдында өчүргүчтү (4) «I» абалына которуп аспапты иштетиңиз, корпусунда LED жарыгы көк болуп күйөт. Аспап жаңылуусуз иштеп, ал эми миздердин (1) жүрүүсү – салмактуу экенин текшериңиз. Миздеринде (1) майлагыч майы көп болсо, өчүргүчтү (4) «O» абалына которуп аспапты токтотуңуз да кургак чүпүрөк менен ашкан майды алып салыңыз.
- Тармактык шнурунун абалын байкап туруңуз, ал көп жолу буралышына жол бербей, мезгил-мезгили менен аспапты өчүрүп, тармактык шнурун түздөтүп туруңуз.
- Адамды башы сиздин көзүгүздүн деңгээлинде болгондой отургузуп, ийиндерин сүлгү менен жабып, чачын тарак менен тарап алыңыз.

Эскертүү

- *Алгач, азыраак көлөмдөгү чачты кыркып алыңыз, – зарыл болсо, кыркылган жерине кайрадан кыркуу үчүн кайтсаңыз болот.*
- *Суу чачка караганда кургак чачты кыркасаңыз эң жакшы натыйжа аласыз.*
- *Тегиз эмес кыркылган чачты табуу үчүн аны тарак (9) менен тарап туруңуз.*
- *Биринчи жолу кыркканда, чачты узунураак кыркуу ыңгайлуу болот.*
- *Аспапты иштетип үйрөнүүдөн улам сиз керектүү чачтарамдарды өз алдынча жасасаңыз болот.*

Тарак саптамалары

Чачтын узундугу колдонулган саптамасына байланыштуу:

- тарак саптамасы (5): чачтын узундугу 3 мм;



КЫРГЫЗ

- тарак саптамасы (6): чачтын узундугу 6 мм;
- тарак саптамасы (7): чачтын узундугу 9 мм;
- тарак саптамасы (8): чачтын узундугу 12 мм.

Тандалган тарак саптамасын миздерине тиштерин өйдө каратып орнотуңуз да саптамасынын асты жагындагы чыгып турган урчугун анын бекитүүсүнө чейин басыңыз. Чачты кыркып баштагандан мурун саптама өз жеринде тырс этип бекитилгенин текшерип алыңыз. Тарак саптаманы чечүү үчүн бекитмени басып саптаманы алып салыңыз.

Биринчи кадам

3 мм (5) же 6 мм (6) тарак саптамасын орнотуңуз. Өчүргүчтү (4) «I» абалына коюп, аспапты иштетиңиз. Аспапты миздерин (1) өйдө каратып кармаңыз. Чачты өсүп баштаган жеринен кыркып баштаңыз. Аспапты өйдө тарапка жай жылдырып туруңуз. Баштын арты жагындагы жана кулактардын жанындагы болгон чачты кыркып алыңыз (сүр. 3, 4, 5).

Экинчи кадам

Өчүргүчтү (4) «O» абалына коюп аспапты өчүрүңүз, тармактык шнурдун айрысын электр розеткадан чыгарыңыз, 9 мм (7) же 12 мм (8) узунураак чач үчүн саптамаларын орнотуңуз, аспапты иштетип, баштын төбөсүнө жакын чачты кыркууга өтүңүз (сүр. 6).

Үчүнчү кадам — чыккый жактагы чачты кыркуу

Аспапты өчүрүп, тармактык шнурдун айрысын электр розеткасынан чыгарып, 3 мм (5) же 6 мм (6) саптамасын орнотуп чыккый жактагы чачты кыркыңыз. Андан кийин 9 мм (7) же 12 мм (8) тарак саптамасын орнотуп, чачты төбө тарабына кыркууну улантсаңыз болот (сүрөт 5).

Төртүнчү кадам — чоку жагындагы чачты кыркуу

9 мм (7) же 12 мм (8) тарак саптамасы менен баштын төбөсүнөн чоку жагына чач өсүүнүн тарабына каршы чачты кыркыңыз (сүрөт 6).

- Чачты өскөн багытына каршы да, өскөн багыты боюнча да кыксаңыз болот, бирок өскөн багытына каршы кыркылган чач өскөн багыты боюнча кыркылган чачтан кыска болоорун эске тутуңуз.
- Өтө кыска чачты кыркуу үчүн (5) 3 мм жана (6) 6 мм саптамаларын колдонуңуз. Чачту узунураак кылып кыркуу үчүн (7) 9 мм же (8) 12 мм саптамаларын колдонуңуз.



КЫРГЫЗ

- Чачты узунураак кылып кыркуу үчүн чач тутамдарын бармагыңыздын арасында кармап аспап менен кыркыңыз (сүр. 7).
- Таракты колдонсоңуз болот: чачты өйдө көтөрүп, тарактын (9) үстүнөн аспап менен чачты кыркыңыз (сүр. 8).
- Кыркууну ар дайым баштын арты тарабынан баштап туруңуз.
- Тегиз эмес кыркылган чачты табуу үчүн аны тарак (9) менен тарап туруңуз.
- Чачты тегиздетүү үчүн кайчыны (10) колдонуңуз.

Кадам 5 — кыркууну бүтүрүү

- Чач кыркууну бүтүргөндө тарак саптамасын алып салыңыз, аспаптын миздерин (1) чач жагына каратып, моюндагы жана чыкыйдагы чачты акырын тегиздетип алыңыз. Аспапты күч менен баспаңыз, ачык миздери (1) териге тийгенде кесилүү же жаракат пайда болуу мүмкүн (сүр. 9).

Конус түрүндөгү чачтарам

Керектүү тарак саптамасын орнотуп, чачты баштын арты жагынан төбөсү тарабына кыркып баштаңыз. Чачты баштын бет жагынан төбө тарабына жана чет жагынан чачты өсүү багытына каршы кыркып алыңыз (сүр. 10). Төбөсү жалпак кылып кыркуу үчүн таракты колдонуңуз: чачты өйдө көтөрүп, тарактын үстүнөн кыркыңыз. Чачтын текши эмес кыркылган тутамдарын табуу үчүн чачты улам-улам тарак менен тарап туруңуз.

Чачты кыркып бүткөндө, өчүргүчтү (4) «О» абалына келтирип аспапты өчүрүп, тармактык шнурунун сайгычын электр розеткасынан чыгарыңыз.

ТАЗАЛОО ЖАНА ТЕЙЛӨӨ

Миздерди майлоо

Миздерди (1) колдонуудан кийин жана аспапты чач кыркуу үчүн ар колдонуунун алдында топтомуна кирген май (11) менен майлоо зарыл.

- Өчүргүчү (4) менен аспапты өчүрүп, тармактык шнурунун айрысын электр розеткасынан чыгарыңыз.
- Бир-эки тамчы майды (11) миздердин тиштерине (1) жана үстүнкү миздин арты жагына тамчылап, аспапты иштетип, миздери жай-салмагы менен кыймылдаганын текшерип алыңыз.
- Аспапты өчүрүп, ашкан майын кургак чүпүрөк менен сүртүп алыңыз.



КЫРГЫЗ

Көңүл буруңуз! Аспаптын топтомуна кирген майды (11) гана колдонуңуз. Өсүмдүк майын, малдын майын, май менен эриткичтердин аралашмасын КОЛДОНБОҢУЗ. Эриткичтери бууланып жок болуп, калган коюу май миздердин кыймылдоо ылдамдыгын азайтуу мүмкүн.

Чач кыркуучу аспапты тазалоо

- Аспапты өчүрүп, электр тармагынан ажыратыңыз.
- Кыркылган чачтын калгандарын кыл калеминин (12) жардамы менен миздерден (1) кетирип алыңыз.
- Аспаптын корпусун (3) жана аксессуарларын бир аз нымдуу чүпүрөк менен сүртүп, кургатып сүртүңүз.
- Аспапты сууга же башка суюктуктарга салууга тыюу салынат.
- Аспапты тазалоо үчүн эриткичтерди жана абразивдүү тазалоо каражаттарды колдонууга тыюу салынат.

САКТОО

- Аспапты сактоого алып салгандан мурун аны тазалап, миздерин (1) майы (11) менен майлаңыз.
- Аспапты балдар жана жөндөмдүүлүгү төмөн болгон адамдардын колу жетпеген кургак салкын жерлерде сактаңыз.

ЖЕТКИРҮҮ ТОПТОМУ

Чач кыркуучу аспап (миздери менен) – 1 даана.

Тарак саптамасы – 4 даана.

Майлоочу майы – 1 даана.

Тазалоочу кыл калеми – 1 даана.

Тарак – 1 даана.

Кайчы – 1 даана.

Тармактык ыңгайлаштыргыч – 1 даана.

Колдонмо – 1 даана.

Кепилдик талону – 1 даана.

ТЕХНИКАЛЫК МҮНӨЗДӨМӨСҮ

Чач кыркуучу аспап

Ички аккумулятор батареясы: Li-ion 2000 мАч 3,7 В

Токтоосуз иштетүү мөөнөтү: 3,5 сааттан ашык

Батареясынын кубаттандыруу мөөнөтү: 2,5-3 саат

Кириш чыңалуусу: 5 В \equiv 1000 мА

Азыктандыруу адаптери

Электр азыктандыруу: 100-240 В ~ 50 Гц 0,2 А

Чыгуучу чыңалуусу: 5 В \equiv 1000 мА

КЫРГЫЗ



КӨҢҮЛ БУРУҢУЗ! Түзмөктү ванна бөлмөсүндө, душ, бассейн ж.у.с. жерлерде суунун жанында колдонбоңуз.

УТИЛИЗАЦИЯЛОО



Айлана чөйрөөнү коргоо максатында шайман менен азыктандыруучу элементтердин (эгерде топтомго кирсе) кызмат мөөнөтү бүткөндөн кийин турмуш-тиричилик калдыктары менен бирге таштабаңыз, шайман менен азыктандыруучу элементти андан ары утилизациялоо үчүн адистештирилген пункттарга бериңиз.

Шаймандарды утилизациялоодон пайда болгон калдыктарды милдеттүү түрдө чогултуп, андан соң белгиленген жолунда утилизациялоо зарыл.

Бул шайманды утилизациялоо жөнүндө кошумча маалымат алуу үчүн жергиликтүү өкмөткө, турмуш-тиричилик калдыктарды утилизациялоо кызматына же бул шайманды алган дүкөнгө кайрылыңыз.

Өңдүрүүчү шаймандардын жалпы иштөө принциптерине таасир этпеген дизайн, конструкциясын жана техникалык мүнөздөмөлөрүн алдын ала эскертпей өзгөртүү укугун сактайт, ошол себептен колдонмо менен шаймандын маанилүү эмес айырмачылыктар болуу мүмкүн. Колдонуучу ушундай келишпегендиктерди тапса, ал жөнүндө info@vitek.ru электрондук почтасына жазып, шаймандын жаңырланган версиясын алса болот.

Шаймандын кызмат мөөнөтү – 3 жыл

Кепилдик

Кепилдик берүү шарттары тууралуу толук маалыматтар буюмду саткан сатуучудан алууга болот. Кепилдик шарттарына ылайык талап кылып сатылган товарга чек же дүмүрчөктү көрсөтүү керек.

EAC

APARAT DE TUNS VT-1369

Acest set este destinat pentru tunderea părului și modelarea coafurilor.

DESCRIERE

1. Lame
2. Regulatorul mișcării lamelor
3. Corp
4. Întrerupător de alimentare «0/1»
5. Accesoriu-pieptene 3 mm
6. Accesoriu-pieptene 6 mm
7. Accesoriu-pieptene 9 mm
8. Accesoriu-pieptene 12 mm
9. Pieptene
10. Foarfece
11. Ulei lubrifiant
12. Periuța pentru curățare
13. Iluminarea LED
14. Adaptor de rețea

ATENȚIE!

Nu utilizați dispozitivul în apropierea apei în camerele de baie, dușuri, piscine, etc.

- *La utilizarea dispozitivului în camera de baie, deconectați-l de la rețeaua electrică imediat după utilizare, adică, extrageți fișa cablului de alimentare din priza electrică, deoarece apropierea apei prezintă pericol, chiar și atunci, când dispozitivul este oprit prin întrerupător.*
- *Pentru protecție suplimentară în circuitul de alimentare al camerei de baie, este recomandabilă instalarea unui disjunctor de protecție (ECB) cu curent nominal nu mai mare de 30 mA în circuitul de alimentare electrică; pentru instalarea ECB adresați-vă unui specialist.*

MĂSURI DE SIGURANȚĂ

Înainte de a începe utilizarea dispozitivului citiți cu atenție prezentul manual de utilizare și păstrați-l pentru referință pe toată perioada de utilizare. Utilizați dispozitivul numai în scopul prevăzut, așa cum este prezentat în acest manual. Manipularea necorespunzătoare poate duce la defectarea dispozitivului sau poate cauza daune utilizatorului sau bunurilor acestuia.

- Înainte de prima conectare, asigurați-vă că tensiunea din rețeaua electrică corespunde tensiunii de lucru a dispozitivului.



ROMÂNĂ

- Cablul de alimentare nu trebuie:
 - să atingă obiecte și suprafețe fierbinți,
 - să fie scufundat în apă,
 - să treacă peste marginile ascuțite ale mobilierului,
 - să fie utilizat în calitate de mâner pentru transportarea dispozitivului.
- Aparatul de tuns nu este destinat utilizării profesionale.
- Utilizați aparatul doar pentru tunderea părului uman natural, părul trebuie să fie uscat.
- Este interzisă utilizarea dispozitivului pentru tăierea părului artificial și a părului animal.
- Utilizați doar accesoriile care fac parte din setul de livrare.

ATENȚIE! Nu scufundați aparatul de tuns, cablul de alimentare și fișa cablului de alimentare în apă sau în alte lichide. Nu spălați lamele aparatului de tuns sub jet de apă.

- Nu atingeți corpul aparatului și cablul de alimentare cu mâinile ude în timpul funcționării.
- Nu utilizați dispozitivul în afara încăperilor.
- Nu utilizați dispozitivul în locuri cu temperatură înaltă și umiditatea relativă mai mare de 80%.
- Nu conectați dispozitivul în locuri unde sunt pulverizați aerosoli sau se folosesc lichide ușor inflamabile.
- Nu depozitați aparatul în apropierea unei căzi sau chiuvețe umplute cu apă.
- Dacă dispozitivul a căzut în apă, extrageți imediat fișa cablului de alimentare din priza electrică și doar apoi puteți scoate dispozitivul din apă.
- Se interzice utilizarea aparatului de tuns cu accesoriile sau lamele deteriorate.
- După fiecare utilizare, curățați accesoriile și lamele de părul tăiat folosind o perie.
- Aveți grijă de curățenia lamelor și de prezența uleiului lubrifiant pe ele.
- Nu lăsați niciodată dispozitivul în lucru fără supraveghere.
- Deconectați aparatul de tuns în timpul pauzelor de lucru sau atunci când nu îl utilizați.
- Copiii trebuie supravegheați pentru a preveni jocul cu dispozitivul.
- Nu permiteți copiilor să atingă corpul dispozitivului și cablul de alimentare în timpul funcționării dispozitivului.
- În timpul funcționării și în timpul pauzelor între ciclurile de lucru plasați dispozitivul în locuri inaccesibile pentru copii și persoanele cu dizabilități.



- Acest dispozitiv nu este destinat utilizării de către copii.
- Dispozitivul nu este destinat utilizării de către persoane (inclusiv copii) cu abilități fizice, psihice sau mentale reduse sau dacă nu au experiență sau cunoștințe, dacă acestea nu sunt sub control sau instruiți cu privire la utilizarea dispozitivului de către persoana responsabilă de siguranța acestora.
- Fiți deosebit de precauți dacă în apropierea dispozitivului conectat se află copii sau persoane cu dizabilități.
- Din motive de siguranță a copiilor, nu lăsați pungile de polietilenă folosite ca ambalaj fără supraveghere.

Atenție! Nu permiteți copiilor să se joace cu pungile de polietilenă sau pelicula de ambalare. **Pericol de sufocare!**

- În cazul deteriorării cablului de alimentare, pentru evitarea pericolului, acesta trebuie înlocuit de către producător, agentul de deservire sau personal cu calificare corespunzătoare.
- Nu reparați dispozitivul de sine stătător. Nu dezasamblați dispozitivul de sine stătător, în caz de apariție a oricărui defecțiuni, precum și după căderea dispozitivului deconectați dispozitivul de la priza electrică și adresați-vă la orice centrul autorizat (împuternicit) de service la adresele de contact specificate în certificatul de garanție și pe site-ul www.vitek.ru.
- Transportați dispozitivul doar în ambalajul original.
- Păstrați dispozitivul în locuri inaccesibile pentru copii și persoanele cu dizabilități.

PREZENTUL DISPOZITIVUL ESTE DESTINAT DOAR PENTRU UZ ÎN CONDIȚII CASNICE. ESTE INTERZISĂ UTILIZAREA COMERCIALĂ ȘI UTILIZAREA DISPOZITIVULUI ÎN ZONELE DE PRODUCȚIE ȘI ÎNCĂPERILE DE LUCRU.

ÎNAINTE DE PRIMA UTILIZARE

După transportarea sau depozitarea dispozitivului la o temperatură scăzută, acesta trebuie menținut la temperatura camerei timp de cel puțin trei ore.

- Îndepărtați toate elementele de ambalare și autocolantele publicitare care împiedică funcționarea dispozitivului.
- Verificați integritatea dispozitivului, dacă există deteriorări, nu utilizați dispozitivul.
- Înainte de conectare, asigurați-vă că tensiunea de lucru a dispozitivului corespunde tensiunii din rețeaua electrică.

ROMÂNĂ

Lame (1)

- Lamele (1) sunt materiale consumabile și nu sunt acoperite de garanție.
- Utilizatorul este obligat să monitorizeze în mod independent starea muchiilor tăietoare ale lamelor, deoarece ascuțirea (șlefuirea) muchiilor tăietoare nu este inclusă în obligațiile de garanție.
- Dacă lamele (1) au fost scoase pentru curățare sau înlocuire, montați-le înapoi, aliniați și strângeți șuruburile de fixare (fig. 1).

Regulatorul mișcării lamei (2) (fig. 2)

- În timpul tunderii fără accesorii (5, 6, 7, 8), puteți mișca lama, reglând astfel lungimea părului tăiat.
- În poziția superioară a regulatorului (2), tunsoarea va fi cea mai scurtă.
- În poziția inferioară a regulatorului (2), lungimea părului tăiat este aproximativ la fel ca în cazul utilizării accesoriului (5) de 3 mm.
- Prin schimbarea poziției regulatorului (2) în timpul tunderii, puteți alege lungimea necesară a părului tăiat.
- Dacă în timpul tunderii părul a fost prins între lame (1), pentru a elibera părul, regulatorul (2) trebuie mutat de câteva ori din poziția superioară în poziția inferioară sau viceversa, aceasta va ajuta la eliberarea părului prins fără a scoate lama (1).
- Când aparatul de tuns este pornit, mutați regulatorul (2) de mai multe ori din poziția superioară în cea inferioară sau viceversa, astfel veți putea îndepărta părul tăiat de pe lame (1).
- Dacă în timpul tunderii aparatul trage parul, înseamnă ca lamele (1) s-au tocit și ar trebui să fie înlocuite cu altele noi.

Ulei lubrifiant

- Înainte de prima utilizare, verificați prezența uleiului lubrifiant pe lame (1) și, dacă este necesar, ungeți-le cu uleiul (11) furnizat în setul de livrare. Aveți grijă de curățenia lamelor (1) și de prezența uleiului lubrifiant pe ele.
- Nu folosiți ulei vegetal sau ulei care are în componența sa solvenți. Solvenții sunt supuși evaporării, iar uleiul dens rămas poate micșora viteza de mișcare a lamei superioare (1).

INSTRUCȚIUNE PENTRU MODELAREA TUNSORII

Înainte de fiecare utilizare a aparatului de tuns, curățați obligatoriu lamele (1) de păr, praf sau orice materie străină, ungeți lamele (1) și verificați reglarea acestora.

- În timpul tunsului părul trebuie să fie curat și uscat.
- Desfaceți cablul de alimentare al adaptorului (14) pe toată lungimea acestuia.
- Introduceți fișa cablului de alimentare în priza electrică.
- Înainte de a începe tunsoarea, porniți aparatul de tuns, mutând întrerupătorul (4) în poziția «I», pe carcasă LED-ul se va aprinde în albastru. Asigurați-vă că dispozitivul funcționează fără întreruperi, iar lamele (1) se mișcă lin. La prezența excesului de ulei lubrifianț pe (1) lame, opriți aparatul, setând întrerupătorul (4) în poziția «O» și îndepărtați excesul de ulei cu o lavetă uscată.
- Urmăriți starea cablului de alimentare, nu permiteți răsucirea repetată a acestuia, deconectați periodic aparatul de tuns și îndreptați cablul de alimentare.
- Așezați persoana în așa fel, încât capul să fie aproximativ la nivelul ochilor dvs., acoperiți umerii persoanei cu un prosop, pieptănați părul cu un pieptene.

Avertisment

- *Tundeți mai puțin păr într-un singur pas, în caz de necesitate puteți reveni oricând la zona de păr deja tunsă pentru tundere suplimentară.*
- *Cele mai bune rezultate sunt obținute atunci când lucrați cu părul uscat și nu umed.*
- *Pieptănați părul cu peria (9) pentru identificarea șuvițelor neuniforme.*
- *Pentru prima dată, e mai bine să lăsați părul mai lung după tundere.*
- *Pe măsura obținerii deprinderilor de mânăuire a aparatului de tuns, veți putea modela de sine stătător tunsoarele necesare.*

Accesoriile-pieptene

Lungimea părului depinde de accesoriul folosit:

- accesoriu-pieptene (5): lungimea părului 3 mm;
- accesoriu-pieptene (6): lungimea părului 6 mm;
- accesoriu-pieptene (7): lungimea părului 9 mm;
- accesoriu-pieptene (8): lungimea părului 12 mm.

Montați accesoriul-pieptene selectat pe lamă cu dinții în sus și apăsați pe proeminența din partea inferioară a accesoriului până la fixarea acesteia. Asigurați-vă că accesoriul s-a fixat pe



ROMÂNĂ

locul său înainte de a începe tunderea. Pentru a scoate accesoriul-pieptene, apăsați pe fixator și demontați accesoriul.

Pasul întâi

Instalați accesoriul-pieptene (5) 3 mm sau (6) 6 mm.

Porniți aparatul cu întrerupătorul (4), setându-l în poziția «I».

Țineți aparatul astfel încât lamele (1) să fie îndreptate în sus.

Începeți tunderea de la începutul creșterii părului. Mișcați

încet aparatul în sus. Tăiați tot părul din partea de jos din spate

a capului și lângă urechi (fig. 3, 4, 5).

Pasul doi

Opriti aparatul prin intermediul întrerupătorului (4), setându-l

în poziția «O» și extrageți fișa cablului de alimentare din priza

electrică, montați accesoriul-pieptene pentru păr mai lung (7)

9 mm sau (8) 12 mm, porniți aparatul și continuați să tundeți

mai aproape de creștetul capului (fig. 6).

Pasul trei — tunderea în zona tâmpelor

Opriti aparatul și extrageți fișa cablului de alimentare din priza

electrică, montați accesoriul-pieptene (5) 3 mm sau (6) 6 mm

și tundeți părul pe tâmpel. Apoi atașați accesoriul-pieptene

(7) 9 mm sau (8) 12 mm și continuați tunderea în direcția

creștetului capului (fig. 5).

Pasul patru — tunderea în zona creștetului

Folosind accesoriul-pieptene (7) 9 mm sau (8) 12 mm, tăiați

părul în direcția de la creștetul capului spre zona parietală

împotriva direcției de creștere a părului (fig. 6).

- Părul poate fi tuns atât împotriva direcției de creștere, cât și în direcția de creștere, însă țineți cont de faptul, că părul tuns împotriva direcției lui de creștere va fi mai scurt decât părul tuns în direcția de creștere.
- Folosiți accesoriile (5) 3 mm și (6) 6 mm pentru tunsori foarte scurte. Pentru a lăsa părul puțin mai lung, utilizați accesoriile (7) 9 mm sau (8) 12 mm.
- Pentru a lăsa părul mai lung, strângeți șuvițele de păr între degete și tăiați-le cu aparatul (fig. 7).
- Puteți folosi pieptenele: ridicați șuvițele de păr și tăiați-le cu aparatul deasupra pieptenului (9) (fig. 8).
- Întotdeauna începeți tunderea din partea posterioară a capului.
- Pieptănați părul cu peria (9) pentru identificarea șuvițelor neuniforme.
- Utilizați foarfecile (10) pentru a îndrepta părul.



Pasul 5 – partea finală

- În etapa finală de modelare a tunsorii, demontați accesoriul-pieptene de pe aparat, întoarceți aparatul cu lamele (1) spre păr și îndreptați ușor părul pe tâmple și pe gât. Nu apăsați pe aparat cu forță, în cazul contactului lamelor (1) deschise cu pielea, puteți provoca tăieturi sau traume (fig. 9).

Tunsoare conică

Instalați accesoriul-pieptene necesar și începeți tăierea din partea din spate a capului spre creștetul capului. Tăiați părul contrar direcției creșterii din partea din față a capului spre creștet și spre părțile laterale (fig. 10). Pentru a obține o tunsoare cu un creștet plat, utilizați un pieptene: ridicați și tundeți șuvițele de păr de pe pieptene. Pieptănați părul cu un pieptene pentru identificarea șuvițelor neuniforme.

După terminarea tunderii părului, opriți aparatul prin setarea întrerupătorului de alimentare (4) în poziția «O» și extrageți fișa cablului de alimentare din priză.

CURĂȚARE ȘI ÎNTREȚINERE

Lubrifierea lamelor

Lamele (1) trebuie lubrificate după utilizare și înainte de fiecare utilizare a aparatului de tuns cu uleiul (11) care face parte din setul de livrare.

- Opriți aparatul cu întrerupătorul (4) și extrageți fișa cablului de alimentare din priza electrică.
- Aplicați una sau două picături de ulei (11) pe dinții lamei (1) și pe partea din spate a lamei superioare, porniți aparatul și asigurați-vă că lamele se mișcă ușor.
- Opriți aparatul, ștergeți surplusul de ulei cu o lavetă uscată.

Atenție! Folosiți doar uleiul (11) care face parte din setul de livrare. **NU UTILIZAȚI** ulei vegetal, grăsimi, amestec de ulei și solvenți pentru lubrifiere. Solvenții sunt supuși evaporării, după care uleiul dens rămas poate micșora viteza de deplasare a lamelor.

Curățarea aparatului de tuns

- Opriți aparatul de tuns și deconectați-l de la rețeaua electrică.
- Îndepărtați resturile părului tuns de pe lame (1), utilizând în acest scop periuța (12).
- Ștergeți corpul aparatului (3) și accesoriile cu o cârpă ușor umedă, apoi ștergeți-le cu o cârpă moale până la uscare.



ROMÂNĂ

- Se interzice scufundarea dispozitivului în apă sau în alte lichide.
- Se interzice utilizarea solvenților sau detergenților abrazivi pentru curățarea aparatului de tuns.

DEPOZITARE

- Înainte de depozitarea aparatului de tuns, curățați-l și lubrifiați lamele (1) cu ulei (11).
- Depozitați aparatul de tuns într-un loc uscat și răcoros, inaccesibil pentru copii și persoanele cu dizabilități.

SET DE LIVRARE

Aparat de tuns (cu lame) – 1 buc.

Accesoriu-pieptene – 4 buc.

Ulei pentru lubrifiere – 1 buc.

Periuță pentru curățare – 1 buc.

Pieptene – 1 buc.

Foarfece – 1 buc.

Adaptor de rețea – 1 buc.

Manual de utilizare – 1 buc.

Certificat de garanție – 1 buc.

SPECIFICAȚII TEHNICE

Aparat de tuns

Accumulator reîncărcabil încorporat: Li-ion 2000 mAore 3,7 V

Timpu de funcționare continuă: mai mult de 3,5 ore

Timpu de încărcare a bateriei: 2,5-3 ore

Tensiune de intrare: 5 V \equiv 1000 mA

Adaptor de alimentare

Alimentare electrică: 100-240 V ~ 50 Hz 0,2 A

Tensiune de ieșire: 5 V \equiv 1000 mA



ATENȚIE! Nu utilizați acest dispozitiv lângă apă în camere de baie, duș, piscine și alte bazine de apă.

Producătorul își rezervă dreptul de a modifica designul, construcția și caracteristicile tehnice care nu afectează principiile generale de funcționare ale dispozitivului fără notificare prealabilă, din cauza cărora între instrucțiune și



ROMÂNĂ

produs pot exista diferențe neînsemnate. Dacă utilizatorul a depistat astfel de neconformități, vă rugăm să ne informați prin e-mail info@vitek.ru pentru a obține o versiune actualizată a instrucțiunii.

RECICLAREA



În scopul protejării mediului înconjurător, după finalizarea termenului de exploatare a dispozitivului și a elementelor de alimentare (dacă sunt incluse în set), nu le aruncați împreună cu deșeurile menajere obișnuite, livrați dispozitivul și elementele de alimentare în punctele specializate pentru reciclare ulterioară.

Deșeurile formate în timpul reciclării produselor sunt supuse colectării obligatorii cu reciclarea ulterioară în modul stabilit. Pentru mai multe informații privind reciclarea acestui produs, contactați primăria locală, serviciul de reciclare a deșeurilor menajere sau magazinul de unde ați achiziționat acest produs.

Durata de funcționare a dispozitivului este de 3 ani

Garanție

În legătură cu oferirea garanției pentru produsul dat, rugăm să Vă adresați la distribuitorul regional sau la compania, unde a fost procurat produsul dat. Serviciul de garanție se realizează cu condiția prezentării bonului de plată sau a oricărui alt document financiar, care confirmă cumpărarea produsului dat.



Acest produs respectă cerințele Directivei UE 2014/30/UE privind compatibilitatea electromagnetică și Directiva UE 2014/35/UE privind produsele de joasă tensiune.



GB

A production date of the item is indicated in the serial number on the technical data plate. A serial number is an eleven-unit number, with the first four figures indicating the production date. For example, serial number 0606xxxxxxx means that the item was manufactured in June (the sixth month) 2006.

RUS

Дата производства изделия указана в серийном номере на табличке с техническими данными. Серийный номер представляет собой одиннадцатизначное число, первые четыре цифры которого обозначают дату производства. Например, серийный номер 0606xxxxxxx означает, что изделие было произведено в июне (шестой месяц) 2006 года.

KZ

Бұйымның шығарылған мерзімі техникалық деректері бар кестедегі сериялық нөмірде көрсетілген. Сериялық нөмір он бір саннан тұрады, оның бірінші төрт саны шығару мерзімін білдіреді. Мысалы, сериялық нөмір 0606xxxxxxx болса, бұл бұйым 2006 жылдың маусым айында (алтыншы ай) жасалғанын білдіреді.

UA

Дата виробництва виробу вказана в серійному номері на табличці з технічними даними. Серійний номер представляє собою одинадцятизначне число, перші чотири цифри якого означають дату виробництва. Наприклад, серійний номер 0606xxxxxxx означає, що виріб був виготовлений в червні (шостий місяць) 2006 року.

KG

Буюм иштеп чыгарылган датасы сериялык номурунда техникалык маалыматтар жадыбалында көрсөтүлгөн. Сериялык номуру он бир орундуу сан болот, анын биринчи төрт саны өндүрүш датасын көрсөтөт. Мисалы, сериялык номуру 0606xxxxxxx болгон буюм 2006 жылдын июнинде (алтынчы айында) өндүрүлгөн.

RO

Data fabricării este indicată în numărul de serie pe tabelul cu datele tehnice. Numărul de serie reprezintă un număr din unsprezece cifre, primele patru cifre indicând data fabricării. De exemplu, dacă numărul de serie este 0606xxxxxxx, înseamnă că produsul dat a fost fabricat în iunie (luna a asea) 2006.



ЗАПРЕЩЕНО УТИЛИЗИРОВАТЬ
С БЫТОВЫМ МУСОРОМ.
ОБРАТИТЕСЬ НА СООТВЕТСТВУЮЩИЙ ПУНКТ
ПЕРЕРАБОТКИ ЭЛЕКТРИЧЕСКОГО
И ЭЛЕКТРОННОГО ОБОРУДОВАНИЯ.

