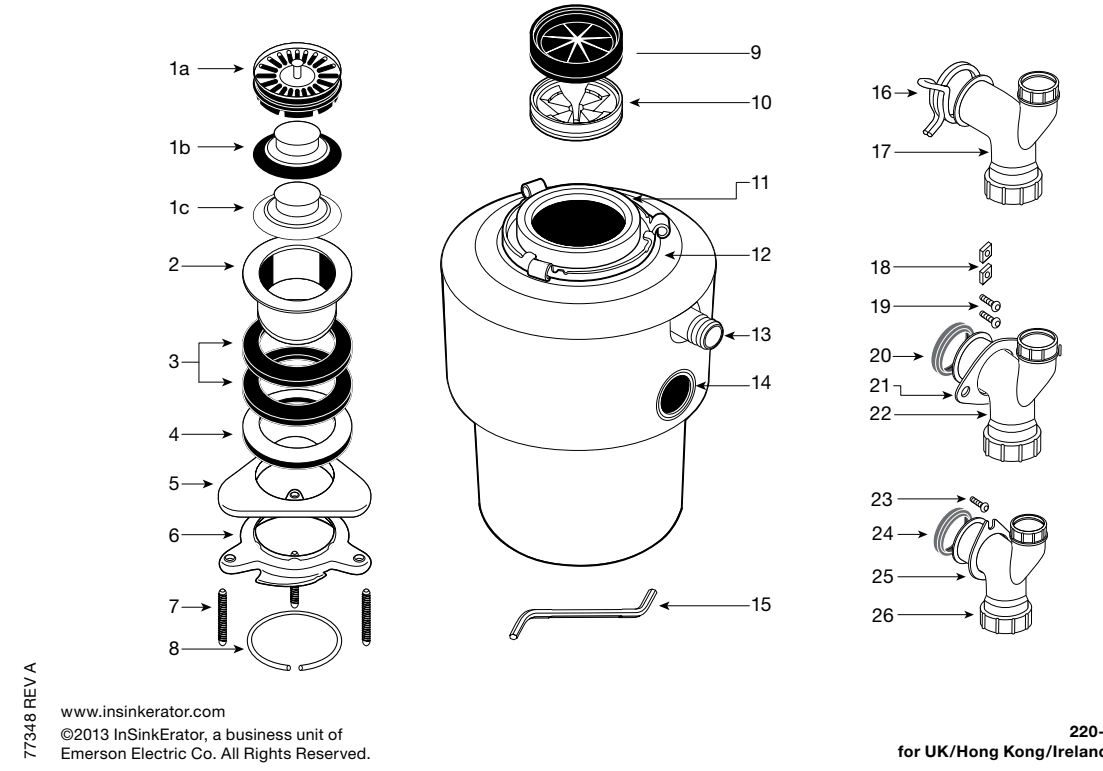


FOOD WASTE DISPOSER INSTALLATION AND USE MANUAL
English only (UK, Hong Kong, Ireland, and Saudi Arabia)



www.insinkerator.com
©2013 InSinkErat, a business unit of Emerson Electric Co. All Rights Reserved.

220-240V, 50/60Hz
for UK/Hong Kong/Ireland/Saudi Arabia

1

	1	2	3	4	5
(Evolution) 200-1 (Evolution) 100-1	34.4 cm	18.5 cm	6.4 cm	23.4 cm	16.8 cm
Model 65+1E	31.2 cm	17.1 cm	6.4 cm	20.5 cm	16.8 cm
Model 60+1E	31.8 cm	16.6 cm	6.5 cm	20.0 cm	13.1 cm
Model 55+1E, +1E A/S	31.8 cm	16.6 cm	6.5 cm	20.0 cm	13.1 cm
Model 50+1E, +1E A/S	30.8 cm	16.6 cm	6.5 cm	19.4 cm	13.1 cm
Model 45+1E, +1E A/S	30.8 cm	16.6 cm	6.5 cm	18.9 cm	13.1 cm
LC50-13	28.9 cm	19.3 cm	6.4 cm	20.6 cm	14.9 cm

2.1

