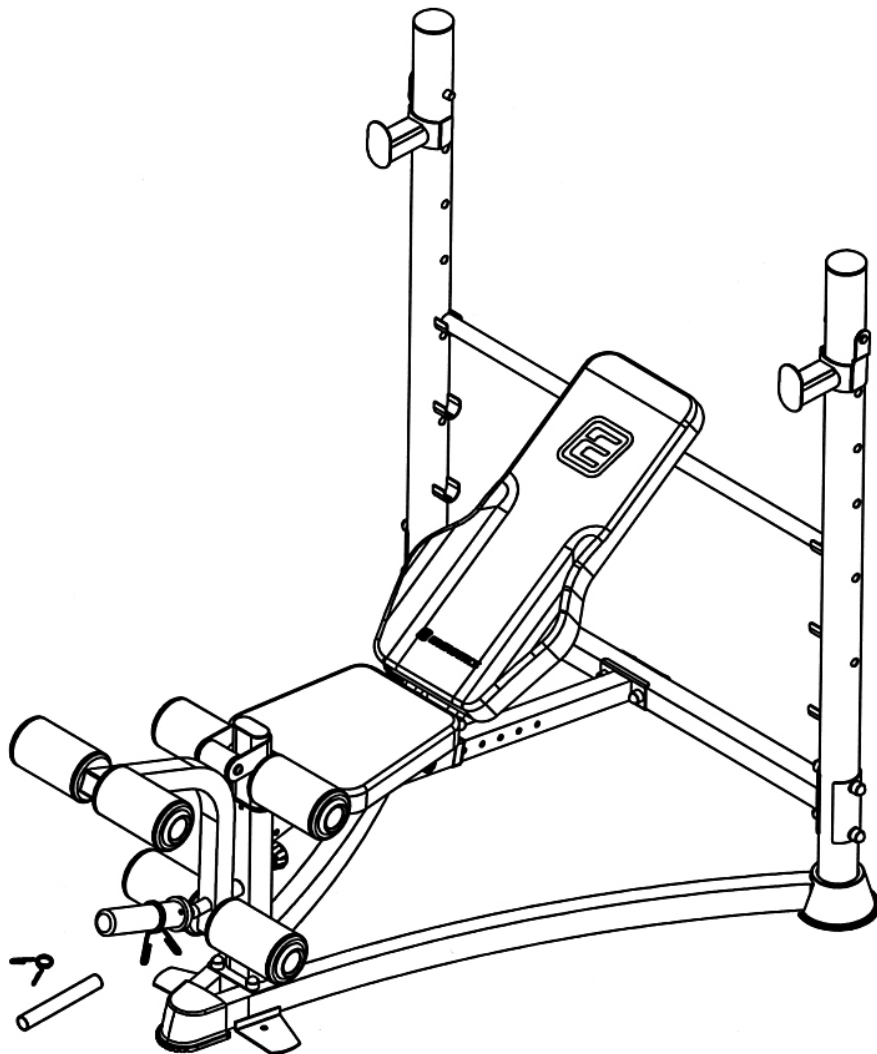
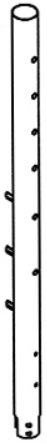




# Deluxe Power Bench 4.1

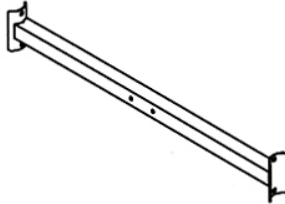




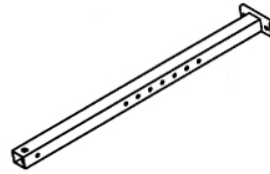
①



②



③



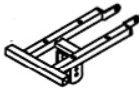
④



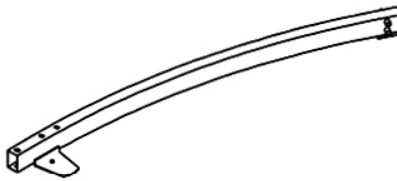
⑤



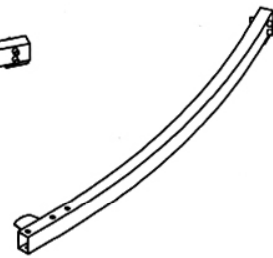
⑥



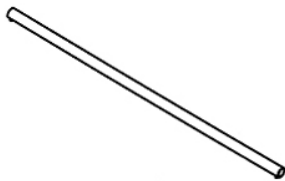
⑦



⑧



⑨



⑩



⑪



⑫



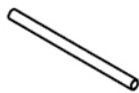
⑬



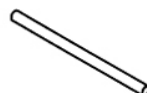
⑭



⑮



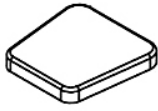
⑯



⑰



⑱



19



20



22



23



24



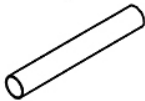
25



31



35



36



37



38



39



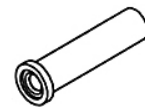
40



43



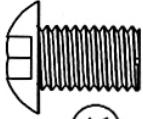
44



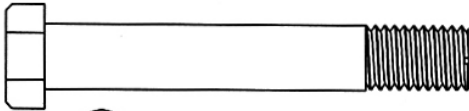
59



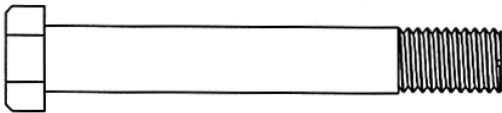
45



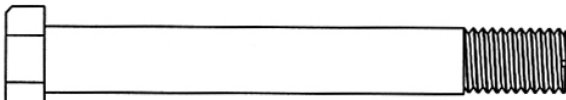
46



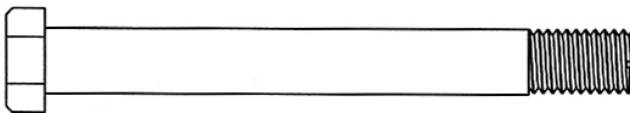
48



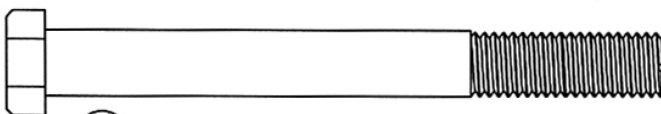
49



50

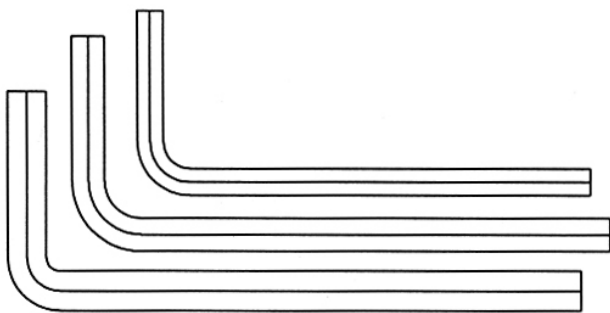


51



52

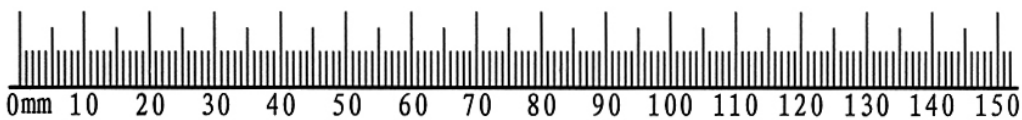
53

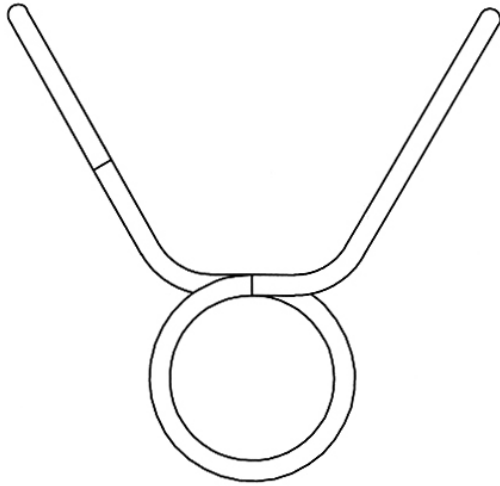


4#

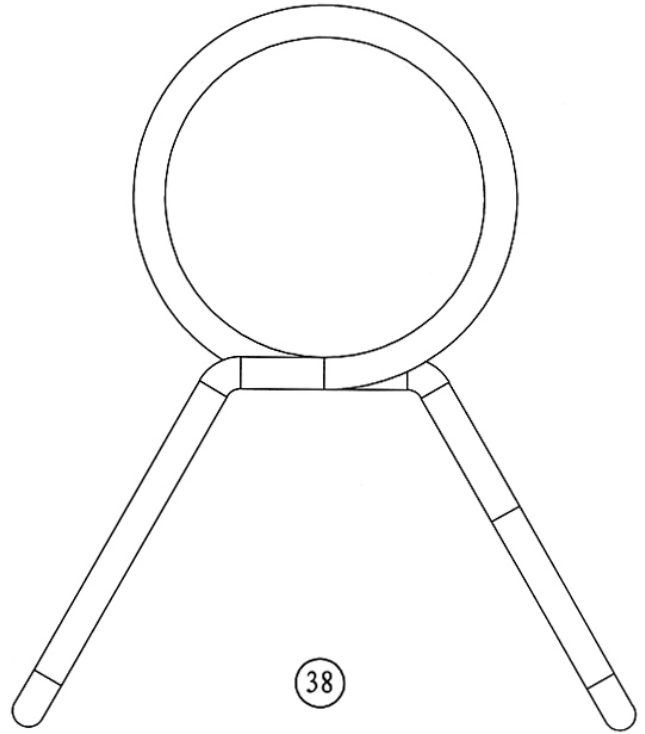
5#

6#





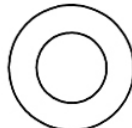
37



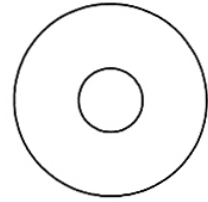
38



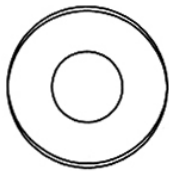
54



55



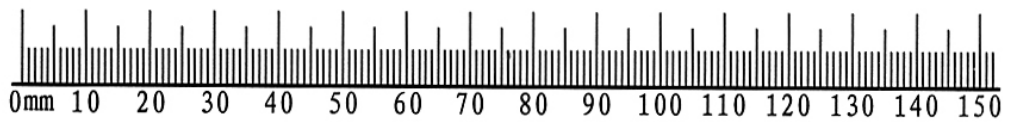
57







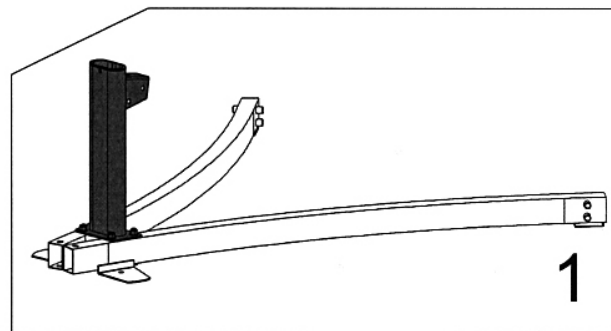
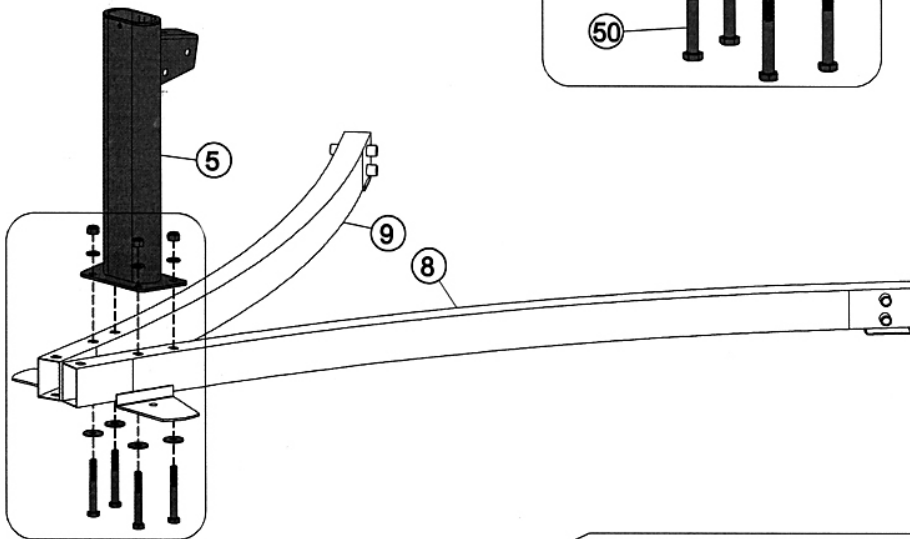
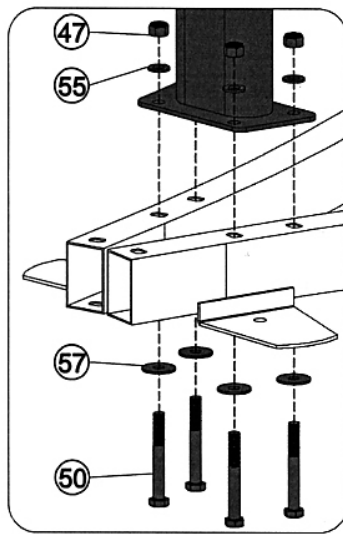
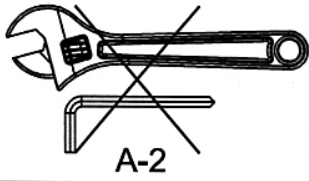
58



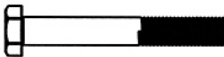



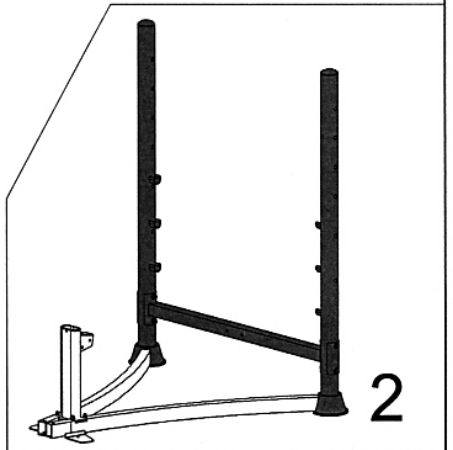
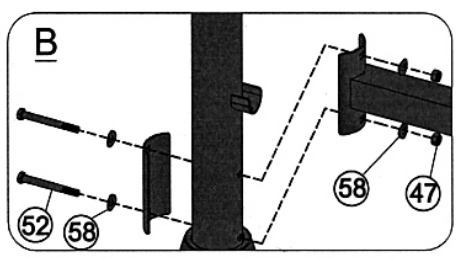
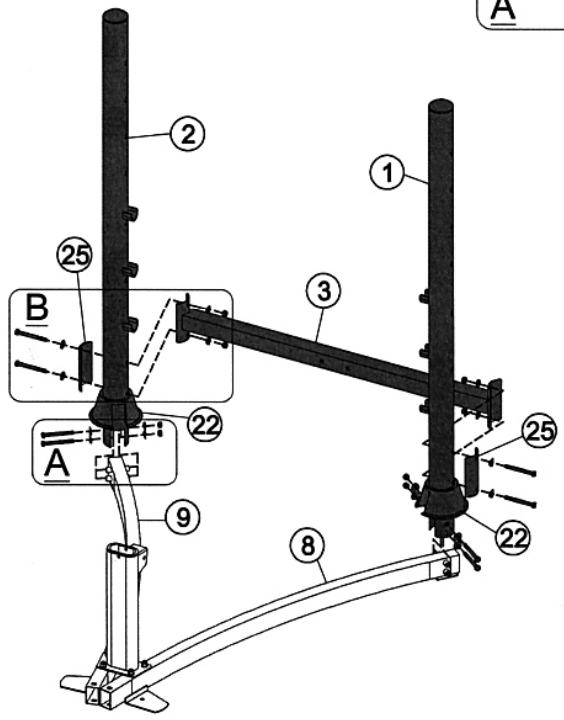
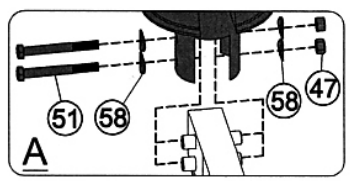
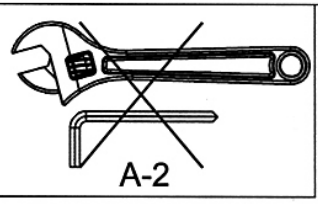
47



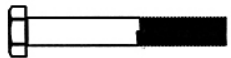
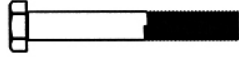



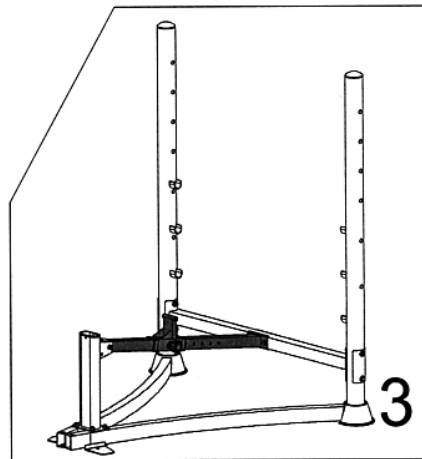
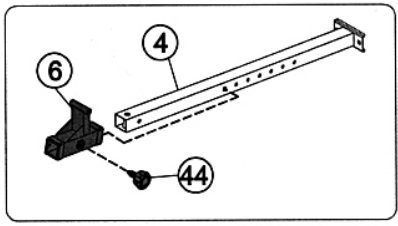
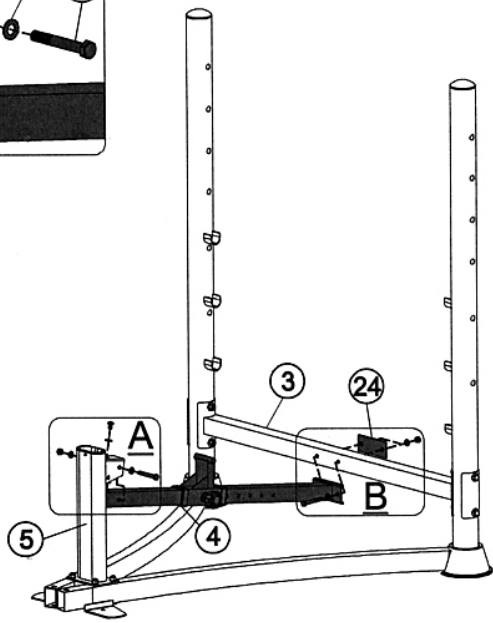
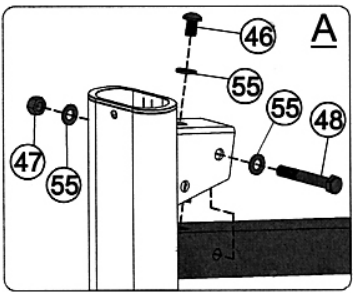
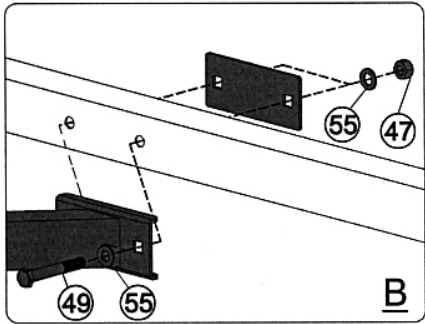
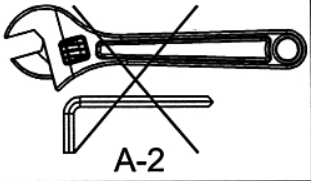
47		4	M10
50		4	M10x80mm
55		4	$\phi 20 \times \phi 10.5$
57		4	$\phi 30 \times \phi 10$




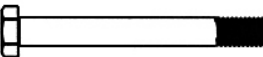

(47)		8	M10
(51)		4	M10x9 0mm
(52)		4	M10x9 5mm
(58)		16	$\phi 20 \times \phi 10.5 \times R25$

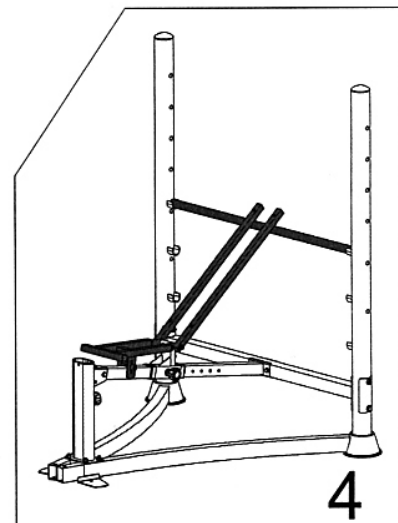
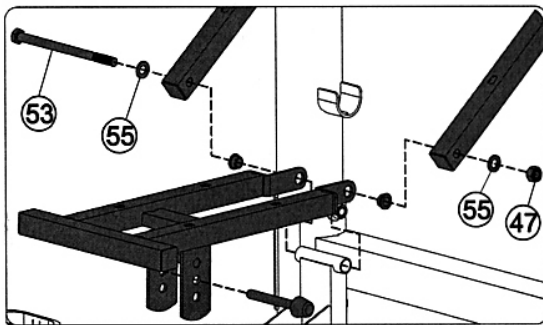
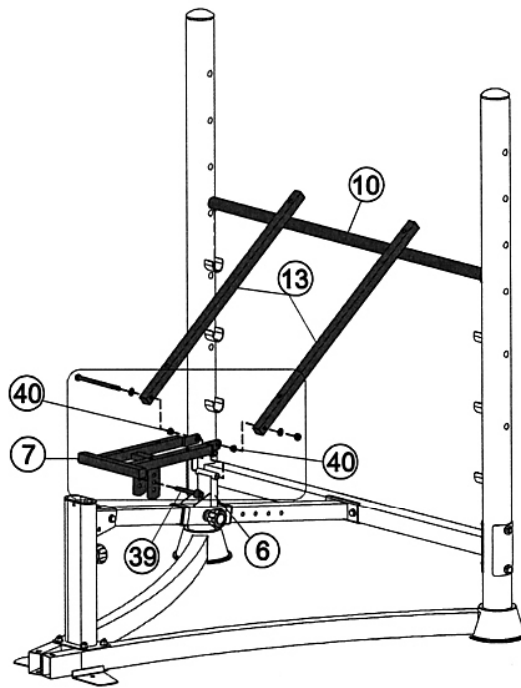
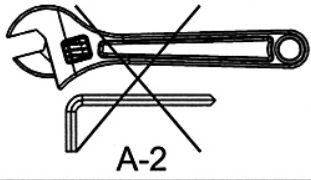


(46)		1	M10×16mm
(47)		3	M10
(48)		1	M10×65mm
(49)		2	M10×70mm
(55)		7	φ20×φ10.5



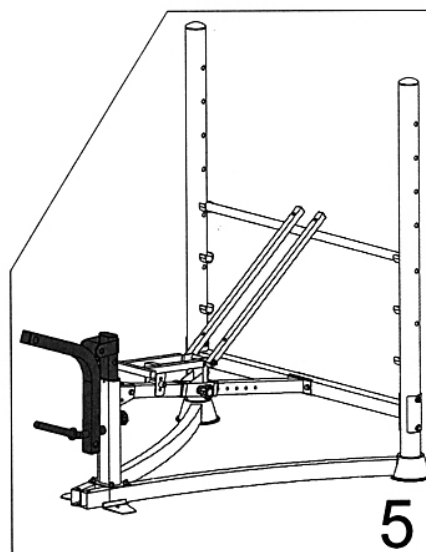
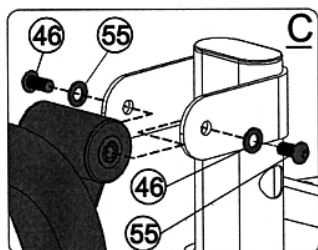
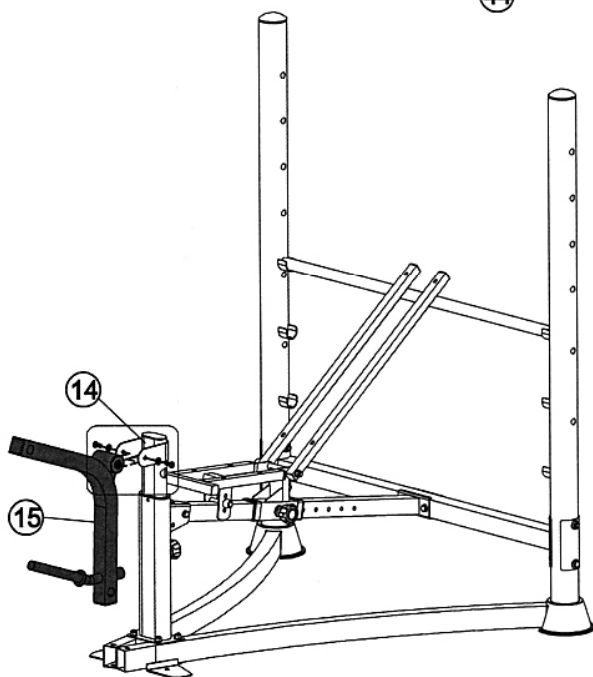
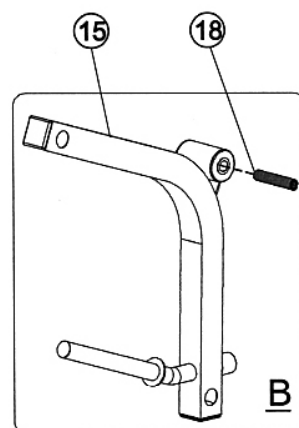
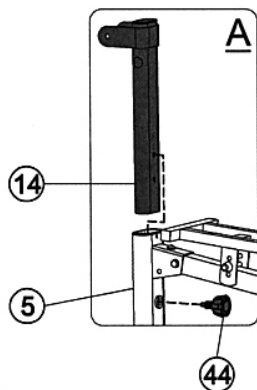
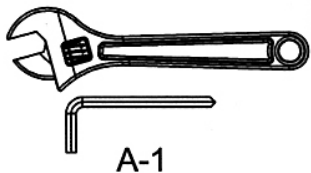




④7		1	M10
⑤3		1	M10x155mm
⑤5		2	φ20×φ10.5

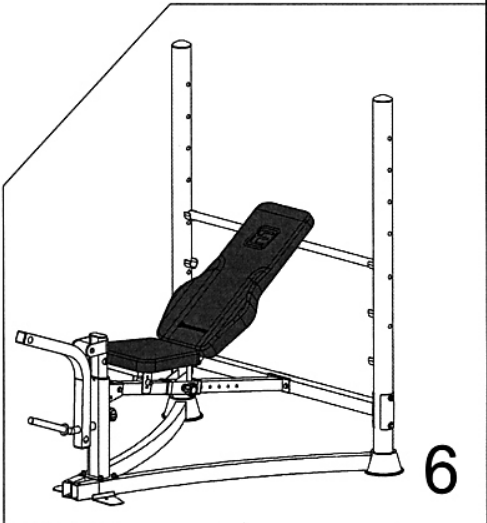
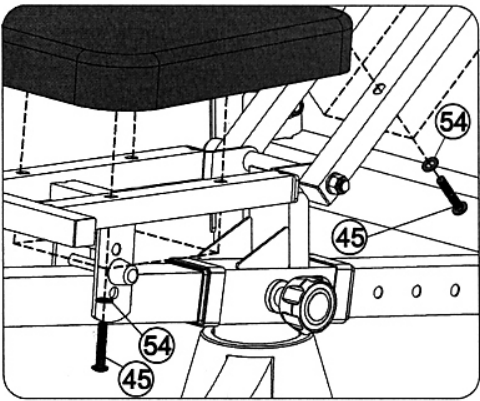
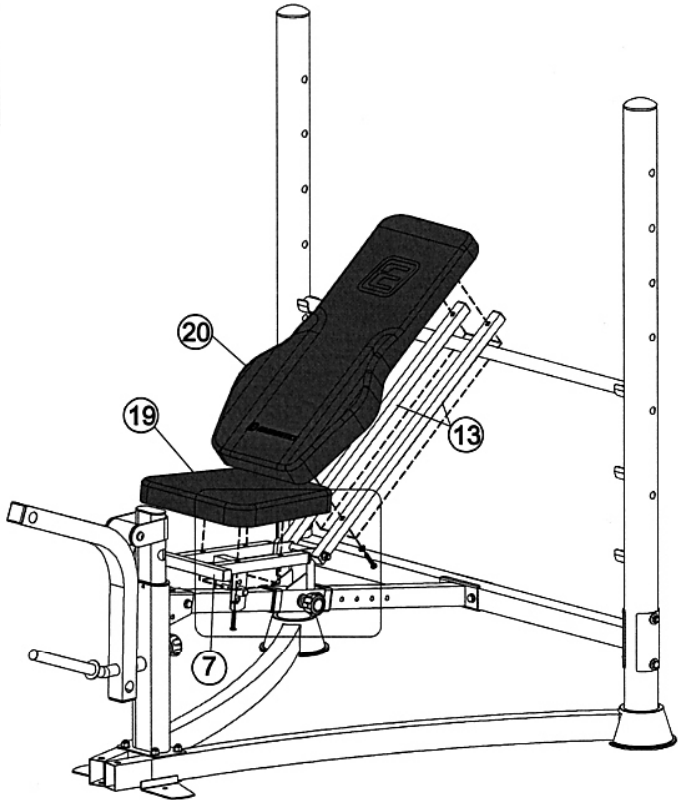
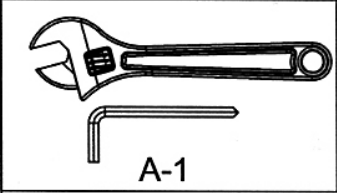


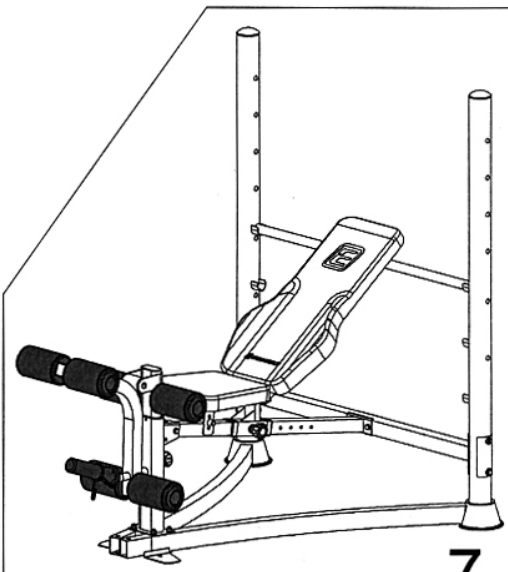
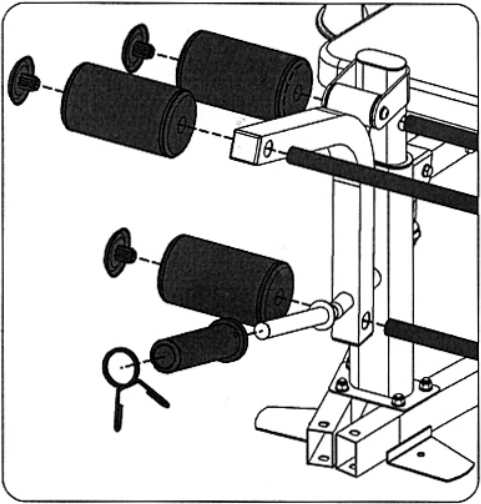
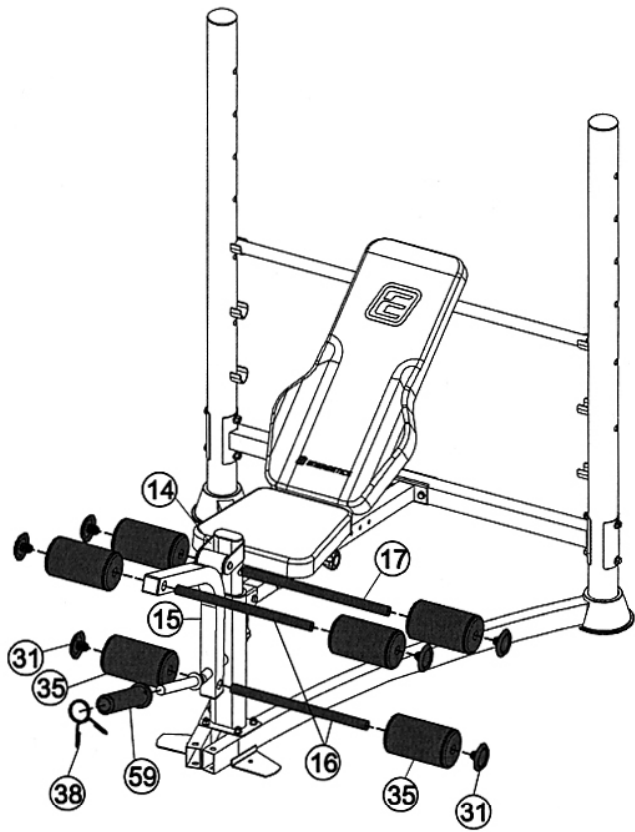
46  2 M10×16mm

55  2 φ20×φ10.5

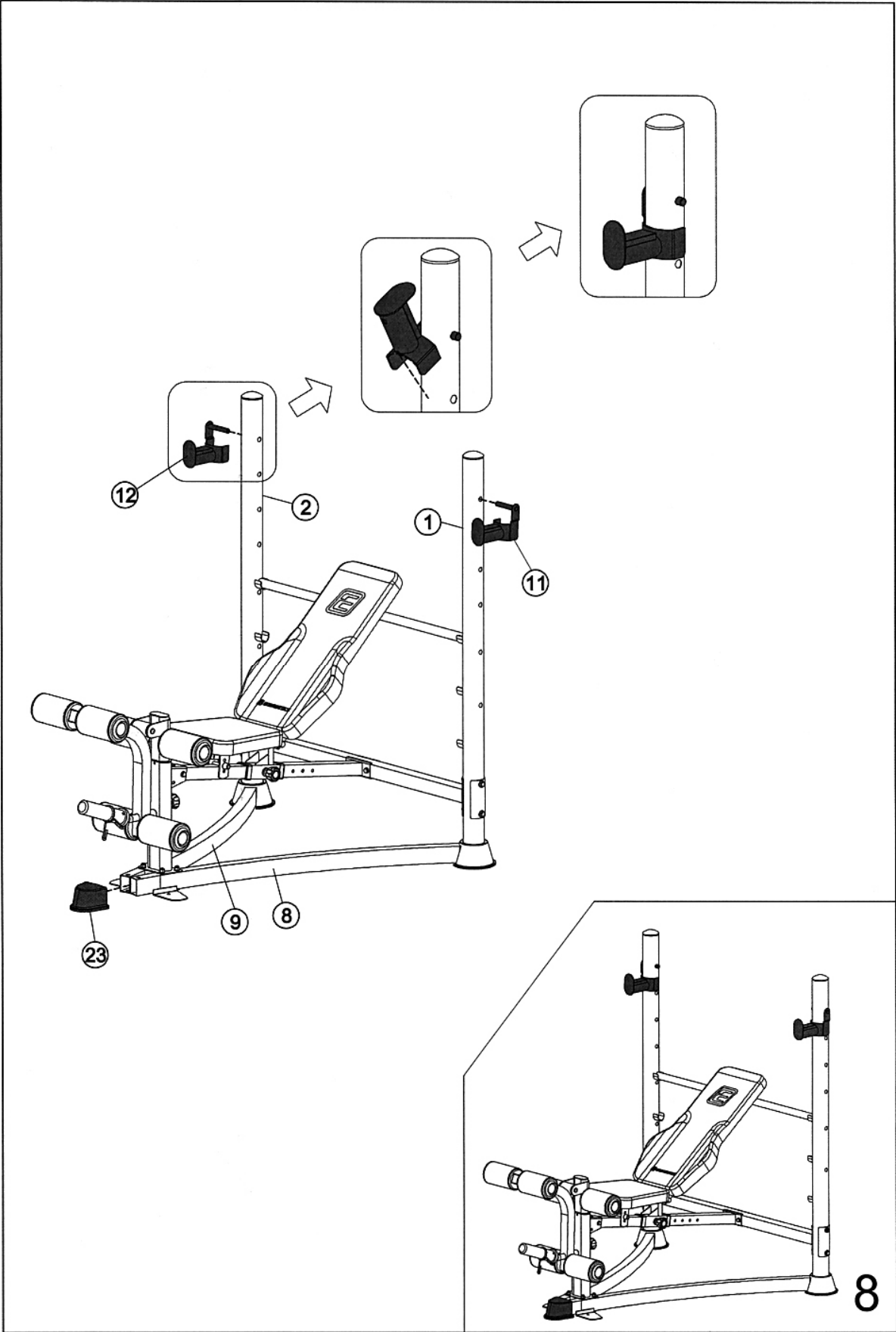


45		8	M8×40mm
54		8	φ16×φ8.4





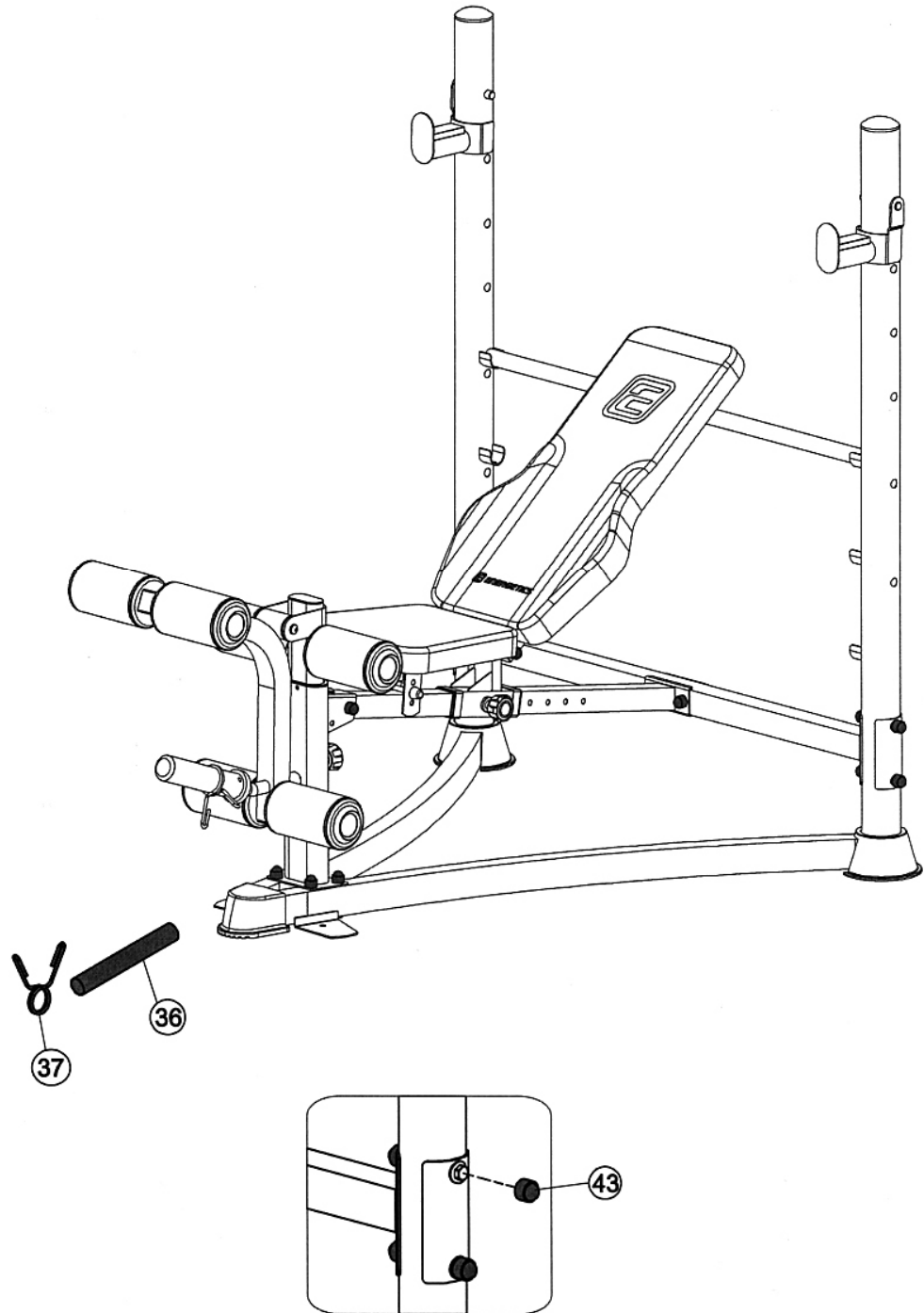
7

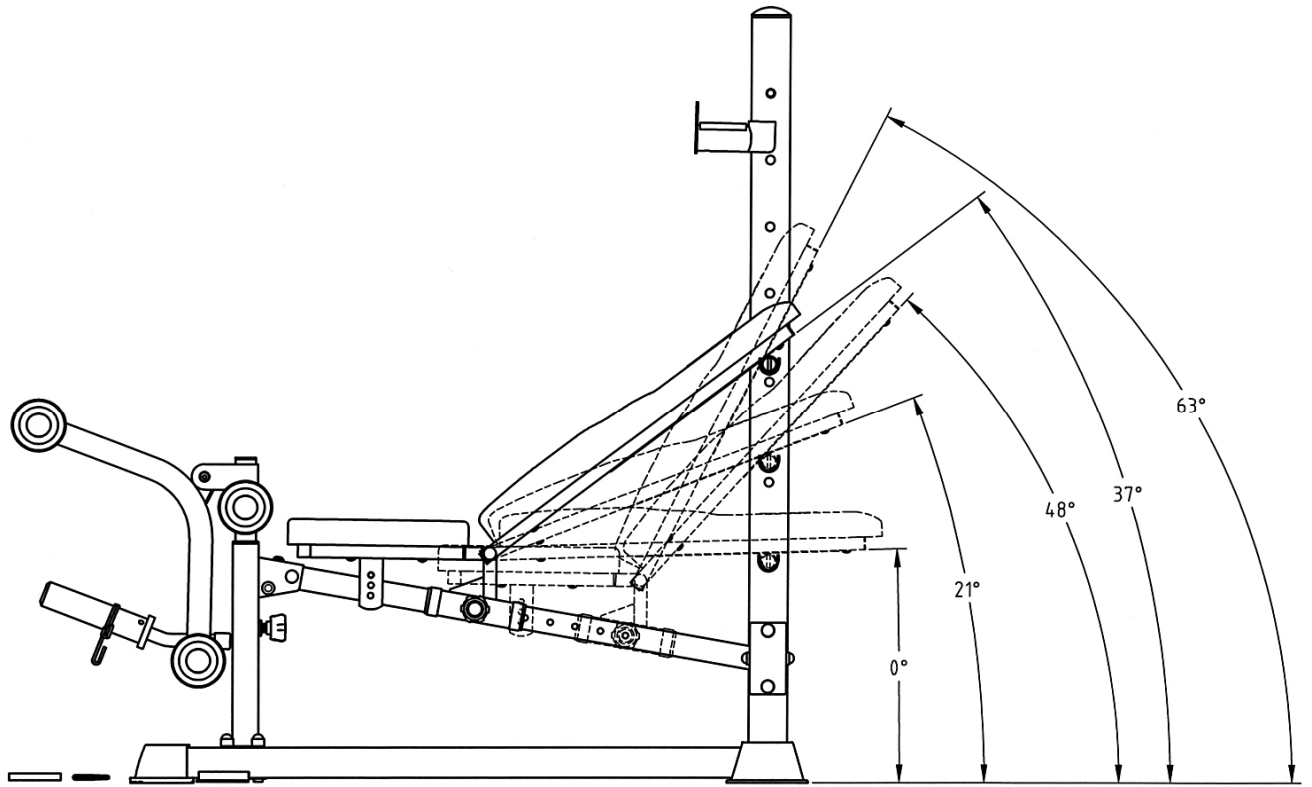


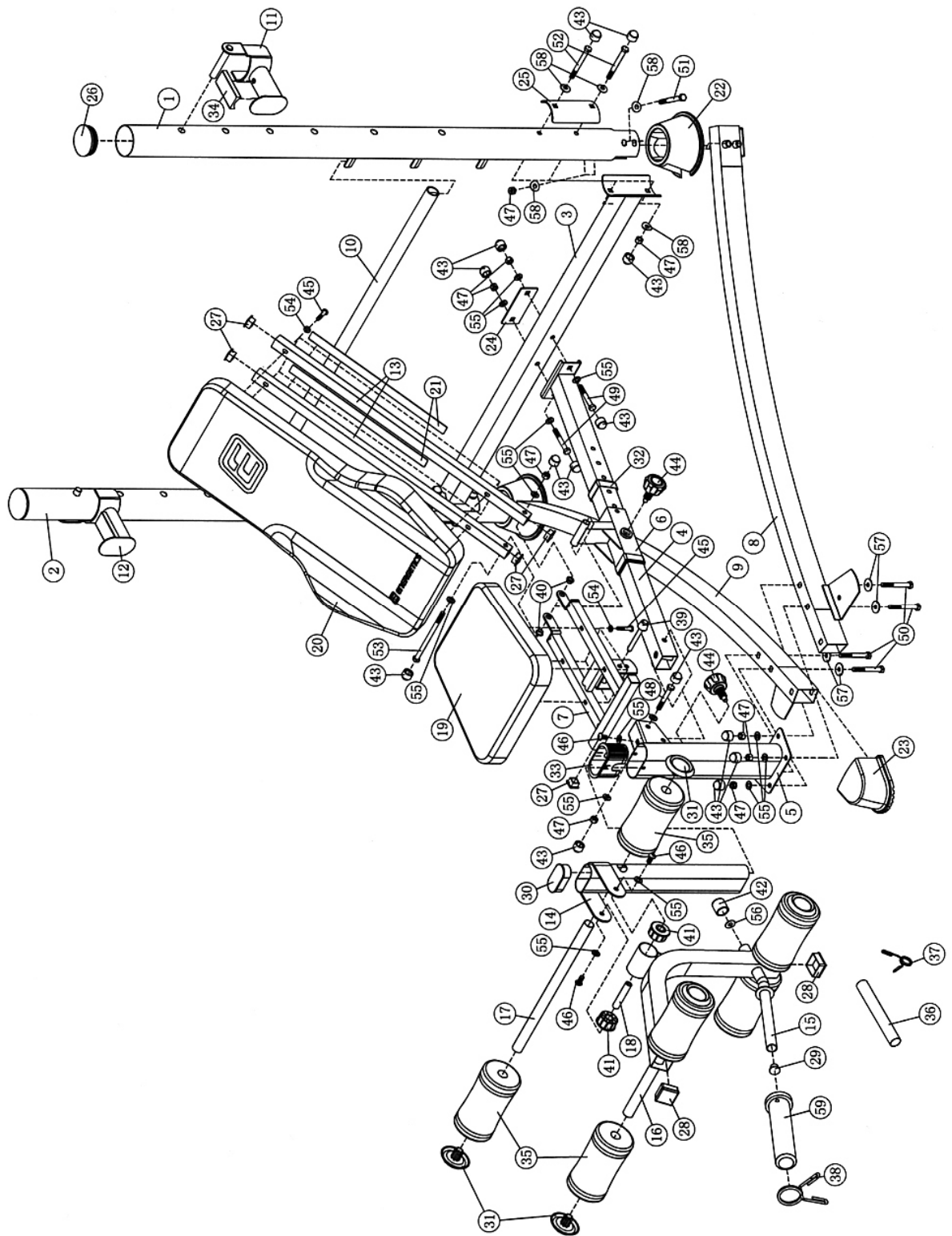
43



20 M10











**Woelflistrasse 2  
CH-3006 Bern  
Switzerland**

© Copyright ENERGETICS 2010