





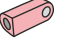

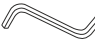

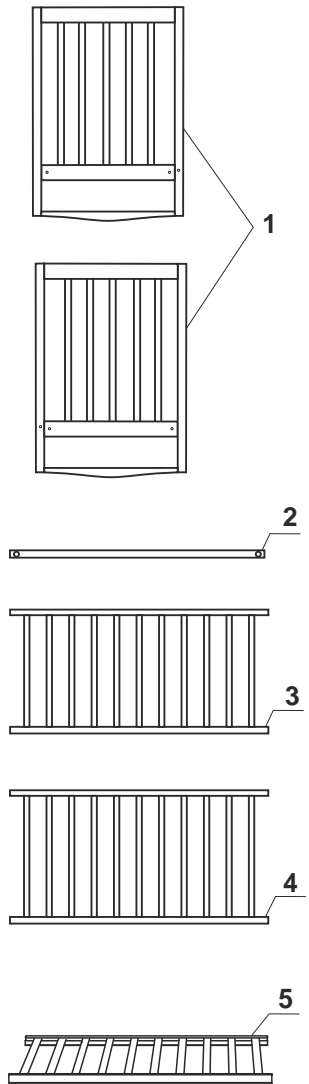


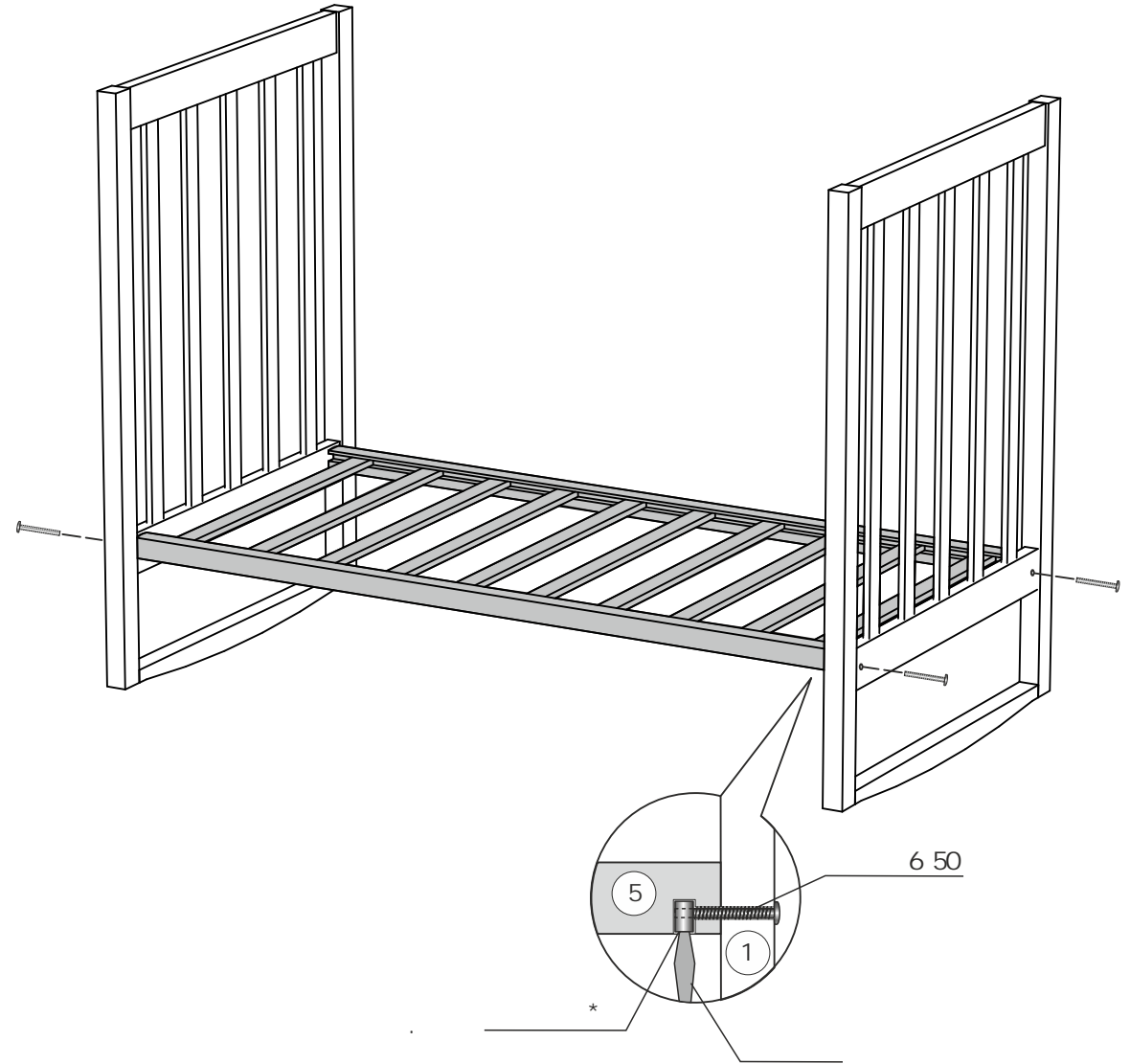
| | | |
|---|------|---|
|  | 6 50 | 6 |
|  | | 4 |
|  | | 4 |
|  | 6 50 | 8 |
|  | 6 70 | 8 |
|  | | 2 |
|  | | 2 |
|  | | 2 |
|  | | 1 |
|  | * | 4 |
| 1- | | 2 |
| 2- | | 1 |
| 3- | | 1 |
| 4- | | 1 |
| 5- (| | 1 |
| 1200 600) | | 1 |

* (2)



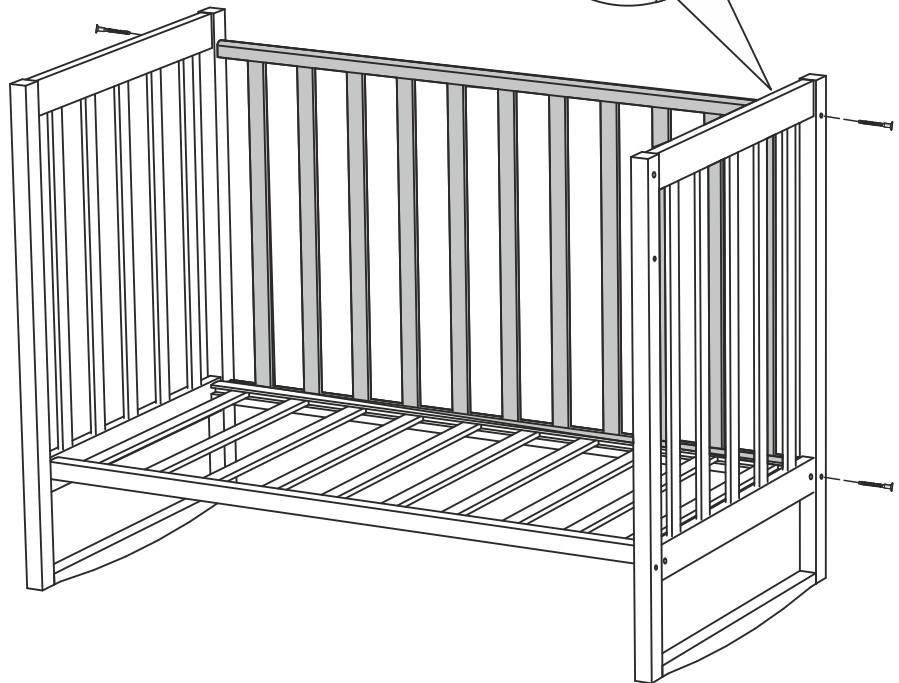
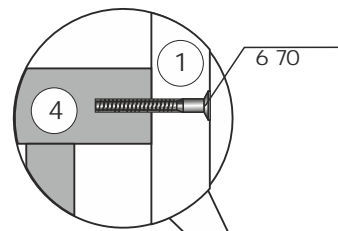
1

6 50



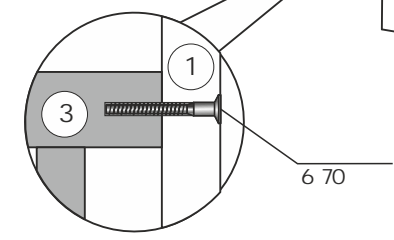
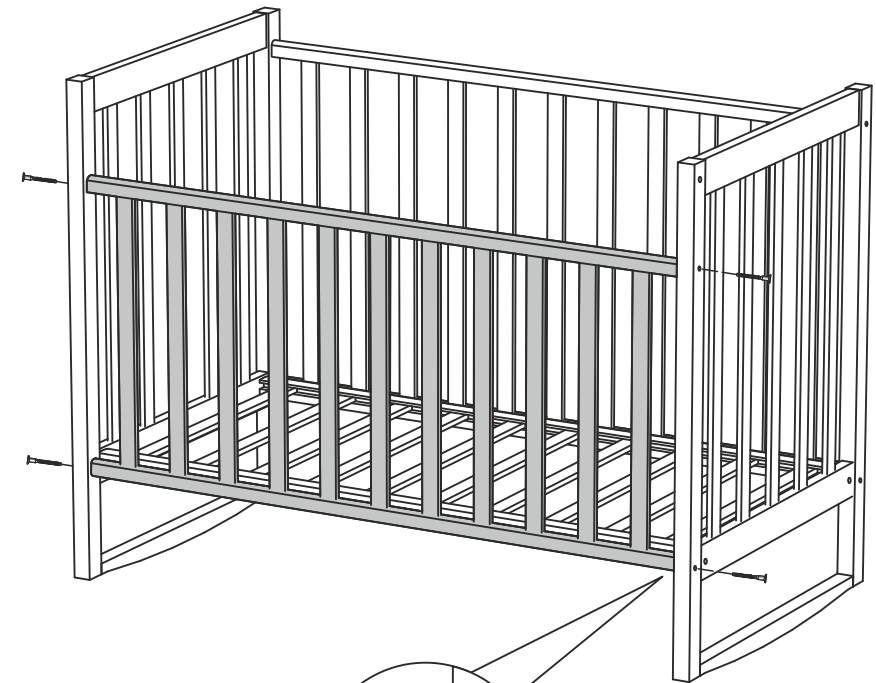
2

2- 6 70



3

6 70 ! 2- .1

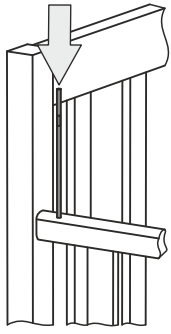


3

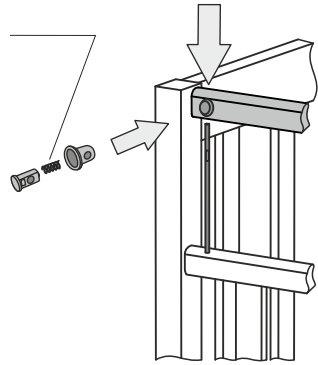
!

(2)

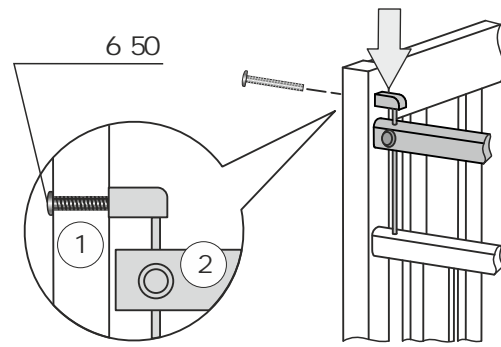
2-



1)

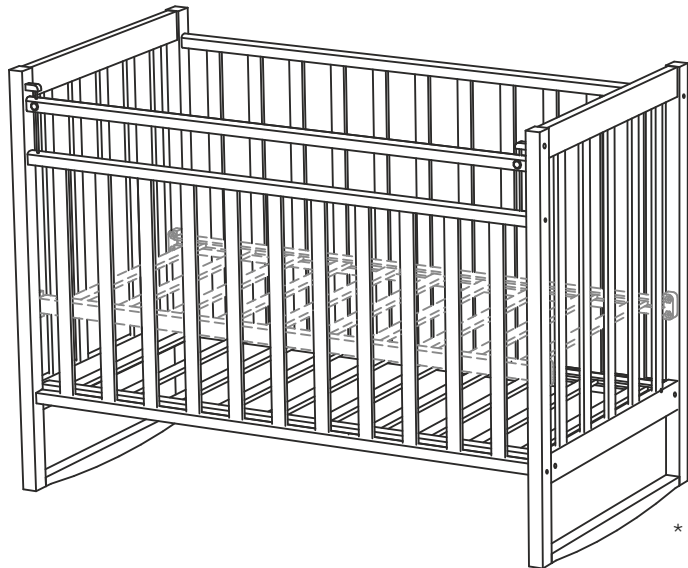


2)



3)

6 50



6x50

6 50

6 50

1

5

*



4



!