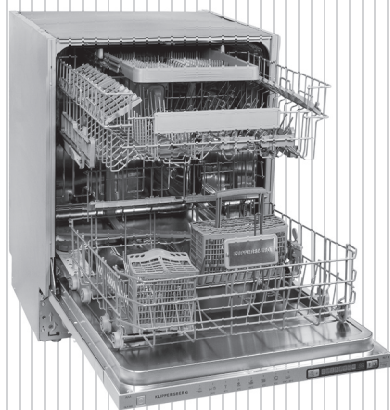


TECHNICAL PASSPORT

ПАСПОРТ ТЕХНИЧЕСКОГО ИЗДЕЛИЯ



GLA 689, GLF 689

DISHWASHERS

ПОСУДОМОЕЧНЫЕ МАШИНЫ

KUPPERSBERG

Dishwasher

**CONTENTS**

| | |
|--|----|
| 1. DISHWASHER..... | 3 |
| 2 IMPORTANT SAFETY INSTRUCTIONS | 4 |
| 3. INSTALLATION..... | 5 |
| 4. PREWASHING..... | 9 |
| 5. PROGRAM SELECTION AND OPERATING YOUR MACHINE..... | 25 |
| 6. MAINTENANCE AND CLEANING..... | 31 |
| 7. TROUBLESHOOTING | 33 |



PLEASE READ THIS USER MANUAL FIRST!

Dear Customer,

We hope that you get the best results from the product which has been manufactured in state-of-the-art plants and passed through a strict quality control procedure.

Therefore, please read the entire user manual carefully before using the product and keep it as a reference for future use. In case of transferring the product to someone else, give the manual as well.

The user manual will help you use your product in a fast and safe way.

➞ Read the user manual before installing and starting your product.


➞ Always follow the safety instructions.


➞ Keep this user manual within easy reach for future reference.

➞ Read also the other documents supplied with the product.

Explanation of symbols

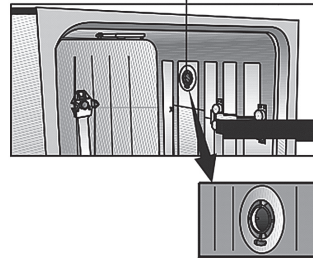
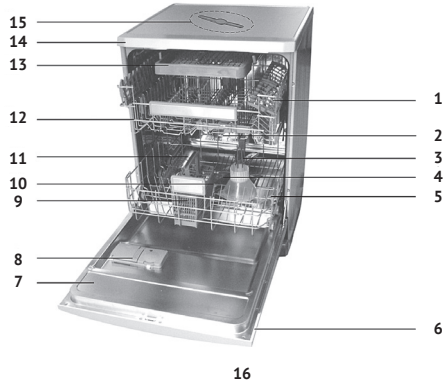
Throughout this User Manual the following symbols are used:

 Important information or useful hints about usage

 Warning for hazardous situations with regard to life and property

 Warning for electric shock

1. DISHWASHER



1. Upper basket with rack
2. Upper impeller
3. Lower impeller
4. Filters
5. Lower basket
6. Control panel
7. Door
8. Detergent dispenser
9. Silverware basket
10. Lower impeller slot
11. Salt reservoir lid
12. Upper basket rail
13. Ceiling silverware basket
14. Tabletop (depends on the model)
15. Ceiling impeller
16. Fan drying system (depends on the model)

Dishwasher

Technical specifications



This product complies with the following EU directives:

Development, production and sales stages of this product comply with the safety rules included in all pertaining European Community regulations.

2006/95/EC, 2004/108/EC, 93/68/EEC, IEC 60436, EN 50242

| | |
|--------------------------------------|---|
| Power input | 220-240 V, 50 Hz |
| Total power consumption | 1900-2200 W |
| Heater power consumption | 1800 W |
| Total current (depends on the model) | 10 A (see type plate) |
| Drain pump power consumption | 30 W |
| Water pressure | 0.3 – 10 bar (= 3 – 100 N/cm ² = 0.01-1.0 Mpa) |

Technical specifications may be changed without prior notice to improve the quality of the product.

Figures in this manual are schematic and may not match the product exactly.

Values stated on the product labels or in the documentation accompanying it are obtained in laboratory conditions in accordance with the relevant standards. Depending on operational and environmental conditions of the product, these values may vary.

Note for test institutions:

Data required for performance tests shall be provided upon request. Requests can be e-mailed to the following address:

dishwasher@standardloading.com

Do not forget to provide the code, stock and serial numbers of the product to be tested in your request e-mail along with your contact information. Code, stock and serial numbers of the product is located on the type label attached to the side of the door.

**2 IMPORTANT SAFETY INSTRUCTIONS**

This section contains safety instructions that will help to get protected from risk of personal injury or property damage. Failure to follow these instructions shall void all warranties.

General safety

➤ Never place the product on a carpet-covered floor; otherwise, lack of airflow beneath the product will cause electrical parts to overheat. This will cause problems with your product.

➤ Do not operate the product if the power cable / plug is damaged! Call the Authorised Service Agent.

➤ Connect the product to a grounded outlet protected by a fuse complying with the values in the "Technical specifications" table. Do not neglect to have the grounding installation made by a qualified electrician. Manufacturer shall not be liable for any damages that will arise when the product is used without grounding in accordance with the local regulations.

➤ The water supply and draining hoses must be securely fastened and remain undamaged.

➤ Unplug the product when not in use.

➤ Never wash the product by spreading or pouring water onto it! There is the risk of electric shock!

↻ Never touch the plug with wet hands! Never unplug by pulling on the cable, always pull out by grabbing the plug.

↻ The product must be unplugged during installation, maintenance, cleaning and repairing procedures.

↻ Always have the installation and repairing procedures carried out by the Authorised Service Agent. Manufacturer shall not be held liable for damages that may arise from procedures carried out by unauthorised persons.

↻ Never use chemical solvents in the product. They bring forth risk of explosion.

↻ When you pull the upper and lower baskets out completely, the door of the product will bear all the weight of the baskets. Do not put other loads on the door; otherwise, the product may tilt.

↻ Never leave the door of the product open apart from loading and unloading procedures.

↻ Do not to open the door of the product when it is running unless necessary. Be careful for the rush of hot steam when you need to open the door.

Intended use

↻ This product has been designed for domestic use.

↻ It must be used to do the domestic type dishes only.

↻ Only dishwasher safe detergents, rinse aids and additives must be used.

↻ The manufacturer waives any responsibility arisen from incorrect usage or transportation.

↻ The service life of your product is 10 years. During this period, original

spare parts will be available to operate the appliance properly.

↻ This product should not be used by persons with physical, sensory or mental disorders or unlearned or inexperienced people (including children) unless they are attended by a person who will be responsible for their safety or who will instruct them accordingly for use of the product.



CHILDREN'S SAFETY

Electrical products are dangerous for the children. Keep children away from the product when it is in use. Do not let them to tamper with the product.

↻ Do not forget to close the door of the product when leaving the room where it is located.

↻ Store all detergents and additives in a safe place away from the reach of the children.



3. INSTALLATION

Refer to the nearest Authorised Service Agent for installation of your product. To make the product ready for use, make sure that the electricity, tap water supply and water drainage systems are appropriate before calling the Authorised Service Agent. If they are not, call a qualified technician and plumber to have any necessary arrangements carried out.

Preparation of the location and electrical, tap water and waste water installations at the place of installation is under customer's responsibility.

Installation and electrical connections must be carried out by the

Dishwasher

Authorised Service Agent. Manufacturer shall not be held liable for damages that may arise from procedures carried out by unauthorised persons.

Prior to installation, visually check if the product has any defects on it. If so, do not have it installed.

Damaged products cause risks for your safety.

Make sure that the water inlet and discharge hoses are not folded, pinched or crushed while pushing the product into its place after installation or cleaning procedures.

When placing the product, pay attention not to damage the floor, walls, piping, etc. Do not hold the product from its door or panel to move it.

Appropriate installation location

➔ Place the product on a solid and flat floor that has sufficient load carrying capacity! The product must be installed on a flat surface in order for the door to be closed comfortably and securely.

➔ Do not install the product at places where temperature may fall below 0°C.

➔ Place the product at least 1 cm

➔ away from the edges of other furniture.

➔ Place the product on a rigid floor. Do not place it on a long pile rug or similar surfaces.

Do not place the product on the power cable.

➔ Make sure that you select a location that will allow you to load

and unload the dishes in a fast and comfortable manner.

➔ Install the product in a place close to the tap and the drain hole. Select the installation location by considering that it will not be changed after the connections are made.

Connecting water supply

We recommend attaching a filter on the house/apartment supply water inlet to protect the machine from damages that may arise from impurities (sand, dirt, rust, etc.) coming from the urban water supply system or from your own water system as well as to prevent complaints such as yellowing or sludge accumulation at the end of washing.

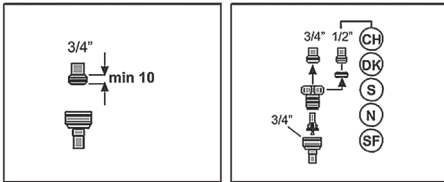
Permitted water temperature: up to 25°C

The dishwasher may not be connected to open warm water devices or flow-through water heaters.

➔ Do not use old or used water inlet hose on the new product. Use the new water inlet hose supplied with the product.

➔ Connect the water inlet hose directly to the water tap. Pressure coming from the tap should be minimum 0.3 and maximum 10 bars. If the water pressure exceeds 10 bars, a pressure relief valve should be installed in between.

Use a screw-on hose connector to connect the water inlet hose to a water tap with a $\frac{3}{4}$ inch external thread. If required, use a filter insert to filter deposits from the pipes.

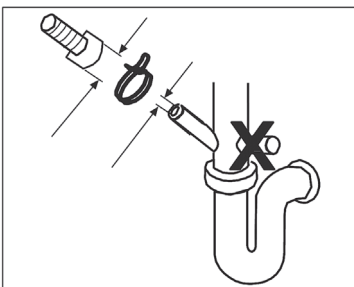
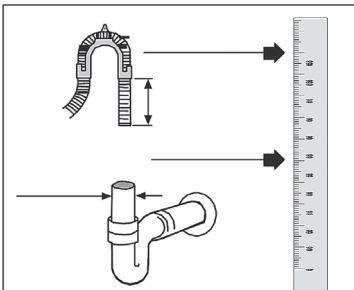


➤ Open the taps completely after making the connections to check for water leaks.

For your safety, close the water inlet tap completely after the washing programme is over.

Connection to the drain

Water discharge hose can directly be connected to the drain hole or sink's drainage. The length of this connection must be min. 50 cm and max. 100 cm from the floor.



A discharge hose longer than 4 meters causes dirty washing.

Attach the water discharge hose to the drainpipe without bending it. Tightly fix the water discharge hose to the drainpipe in order to prevent any dislocation of the water discharge hose during operation of the product.

Drainpipe must be connected to the sewage system and it should not be connected to any surface water.

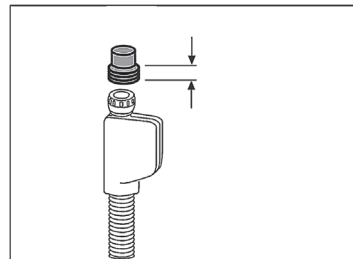
Adjusting the feet

If the door of the product cannot be closed properly or if the product swings when you push it slightly, then you need to adjust the feet of the product. Adjust the feet of the product as illustrated in the installation manual supplied with the product.

**Aquasafe+
(depends on the model)**

Protect the Aquasafe+ system against water leaks that may occur at hose inlet. Water contact with the valve box of the system must be prevented. Otherwise, electrical assembly will get damaged. If the Aquasafe system is damaged, unplug the product and call the Authorised Service Agent.

As the hose set contains electrical connections and assemblies, never shorten or lengthen the hose with extension hoses.



Dishwasher

Electrical connection

Connect the product to a grounded outlet protected by a fuse complying with the values in the “Technical specifications” table. Manufacturer shall not be liable for any damages that will arise when the product is used without grounding in accordance with the local regulations.

➔ Connection must comply with national regulations.

➔ Power cable plug must be within easy reach after installation.

Unplug the product after the washing programme is over.

➔ The voltage and allowed fuse or breaker protection are specified in the “Technical specifications” section. If the current value of the fuse or breaker in the house is less than 16 Amps, have a qualified electrician install a 16 Amp fuse.

➔ The specified voltage must be equal to your mains voltage.

➔ Do not make connections via extension cables or multi-plugs.

Damaged power cables must be replaced by the Authorised Service Agent.

If the product has a failure, it should not be operated unless it is repaired by the Authorised Service Agent! There is the risk of electric shock!

Initial use

Before starting to use the product, make sure that all preparations are made in accordance with the instructions in sections “Important safety instructions” and “Installation”.

➔ To prepare the product to do the dishes, perform first operation in the shortest programme with detergent while the machine is empty. During the

initial use, fill the salt reservoir with 1 litre of water prior to filling it with salt.

Some water might have remained in the product due to the quality control processes in the production. It is not harmful for the product.

Disposing of packaging material

Packaging materials are dangerous to children. Keep packaging materials in a safe place away from reach of the children.

Packaging materials of the product are manufactured from recyclable materials. Dispose of them properly and sort in accordance with recycled waste instructions. Do not dispose of them with normal domestic waste.

Transportation of the product

If you need to move the product, do it in upright position and hold from the rear side. Slanting the product onto its front side may cause the electronic parts in it get wet and damaged.

1. Unplug the product before transporting it.
2. Remove water drainage and water supply connections.
3. Drain the remaining water in the product completely.

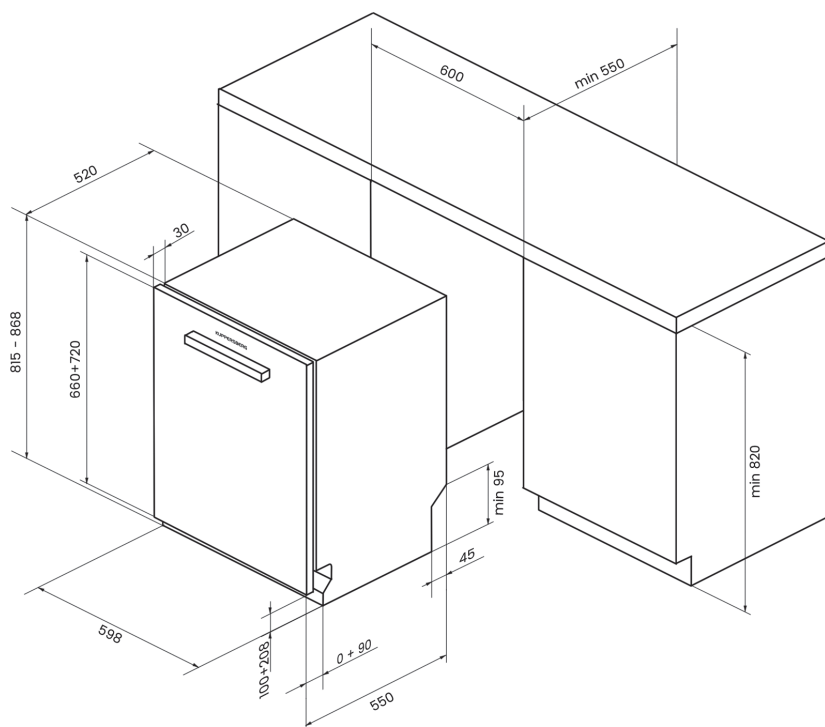
Disposing of the old product

Dispose of the old product in an environmentally friendly manner. Some parts of the product are manufactured from recyclable materials. Along with a recycling symbol, information about its nature (PE, PS, POM, etc) is also provided on the material. These materials should not be disposed as normal domestic wastes.

Refer to your local dealer or solid waste collection centre in your area to learn how to dispose of your product.

For children's safety, cut the power cable and break the locking mechanism of the door so that it will be non-functional before disposing of the product.

Technical drawings



4. PREWASHING

Tips for energy saving Following information will help you use the product in an ecological and energy-efficient manner.

- Wipe away any coarse food remnants on the dishes before putting them in the product.
- Operate the product after filling it completely.
- When selecting a programme, refer to the «Programme Table».
- Do not put more detergent than suggested on the detergent package.

Dishwasher

Water softening system

The dishwasher requires soft water. If the hardness of the water is above 6°dH, the water must be softened and descaled. Otherwise, ions that create the hardness will accumulate on the surfaces of the dishes and may adversely affect the washing, shining and drying performances of the product.

The product is equipped with a water softening system which reduces the hardness of incoming water. This system softens the supply water that enters into the product to a level that will allow washing the dishes with the required quality.

Adjusting the water softening system

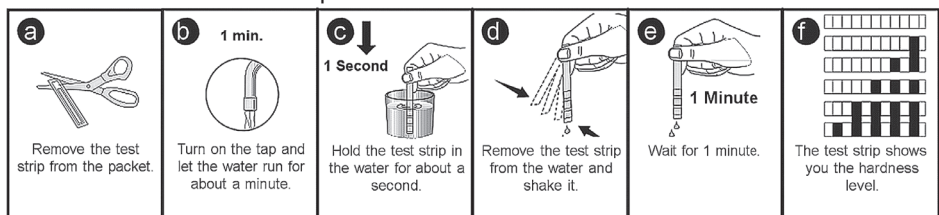
Washing performance will increase when water softening system is adjusted properly.

Use the test stripe supplied with the product to determine the supply water hardness in order to adjust the system.

Water Hardness & Regeneration Settings**Softening the water**







Dishwashers require fairly soft water. If the hardness exceeds 6°dH lime scale will form on crockery. To avoid this an automatic system adds a special salt to soften the water so that you obtain the best possible cleaning and drying performance.

To find out the hardness level of your water contact your local water company, or use the enclosed test strip to measure the water hardness:



- Press and hold the Program Selection Key when the machine is off and press On/Off button simultaneously to turn on your machine. Release the Program Selection Key when the water hardness level stored on your machine is displayed in "r...." format.
- Start / Stop icon will start flashing as soon as the water hardness level stored on your machine is displayed in "r...." format.
- Select the water hardness level suitable to your machine from the Water Hardness Level Adjustment Table by pressing the Delayed Start Key.
- Press «Start/Pause/Cancel» key for once to store the level you have selected.
- Start / Stop icon will light continuously when the new water hardness level is stored.
- Press the On/Off button to turn off your machine.

Water Hardness Level Adjustment Table

| Hardness Level | English Water Hardness °dE | German Water Hardness °dH | French Water Hardness °dF* | Water Hardness Level Indicator |
|---|----------------------------|---------------------------|----------------------------|---|
| 1st Level  | 0-5 | 0-4 | 0-8 | Press the Delayed Start key to switch the water hardness level to position 1. <i>r1</i> |
| 2nd Level  | 6-9 | 5-7 | 9-13 | |
| 3rd Level  | 10-15 | 8-12 | 14-22 | Press the Delayed Start key to switch the water hardness level to position 2. <i>r2</i> |
| 4th Level  | 16-19 | 13-15 | 23-27 | Press the Delayed Start key to switch the water hardness level to position 3. <i>r3</i> |
| 5th Level  | 20-24 | 16-19 | 28-34 | Press the Delayed Start key to switch the water hardness level to position 4. <i>r4</i> |
| 6th Level  | 25-62 | 20-50 | 35-90 | Press the Delayed Start key to switch the water hardness level to position 5. <i>r5</i> |

If the hardness level of the water that you use is above 90 °dF (French standard for water hardness) or if you are using well water, than it is recommended to use filter and water purification devices.

If the hardness level of the water that you use is below 8°dF (French standard for water hardness), there is no need to use salt in your dishwasher. If this is the case, “No Salt Warning Indicator” (if any) illuminates continuously on the panel of your machine.

If the water hardness adjustment is set to level 1, the “No salt warning indicator” will illuminate continuously although it is not necessary to use salt.

If you use salt under this condition, salt will not be consumed and the lamp will not illuminate.

Warning:

If you move your house, it is very important to make the water hardness level adjustment of your machine according to the new location you move in order to preserve the washing efficiency.

If the water hardness level of your machine is adjusted previously, your machine will display the last water hardness level adjustment. Adjust the new water hardness level of your machine on basis of the water hardness level of your tap water.

Dishwasher

Adding salt

Water softening system needs to be regenerated in order for the product operates with the same performance continuously. Dishwasher salt is used for this purpose.

Use in your product only the special softening salts produced particularly for use in dishwashers.

We recommend using granular or powder softening salts. Do not use salts containing insoluble substances such as table salt or common salt in the machine. Performance of water softening system may deteriorate in time.

Salt reservoir will fill with water when you start the product. Therefore, add the softening salt before starting the machine.

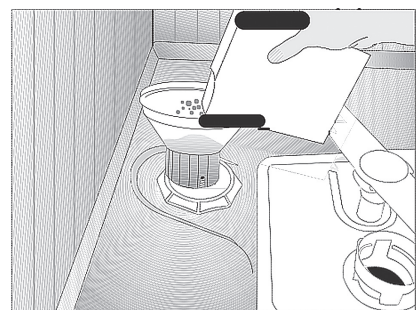
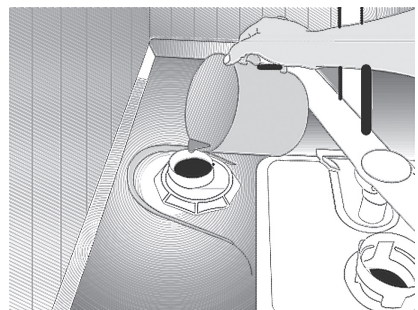
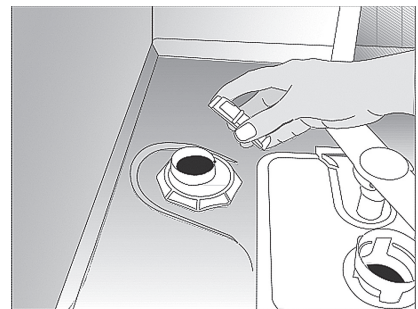
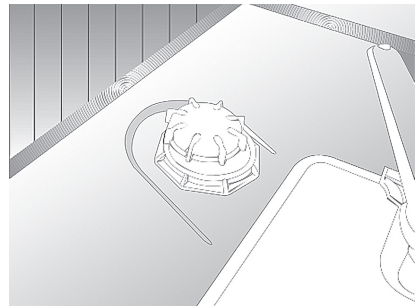
1. First take the lower basket out to add softening salt.
2. Turn the salt reservoir lid in counter clockwise to open it.

Before initial use, fill the water softening system with 1 litre of water.

3. Fill the salt reservoir with salt by using salt funnel. To speed up dissolution rate of salt in water, stir it with a spoon.

You can put about 2 kg of softening salt into the salt reservoir.

4. Replace the lid and tighten it securely when the reservoir is full.



- If you will not start a washing programme immediately after adding the salt, run the machine empty in the shortest programme to dissolve and wash away the scattered salt in the machine.

Since different salt brands in the market have different particle sizes and since the water hardness may vary, dissolution of the salt in water may take a couple of hours. Therefore, Salt Indicator remains on for a while after adding salt into the machine.

Detergent

You can use powder or tablet detergent in the machine.

Only use in the machine the detergents produced particularly for use with dishwashers. We recommend you not to use detergents that contain chlorine and phosphate as they are harmful for the environment.

Contact the detergent producer if the dishes are wet and/or if you notice limescale spots particularly on glasses after the washing programme is over.

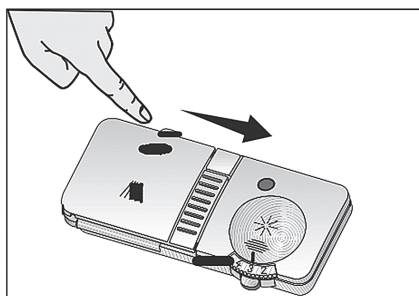
Adding detergent

Refer to the "Programme Table" to determine the correct amount of detergent for the selected programme.

Do not put solvents into the detergent dispenser. There is the risk of explosion!

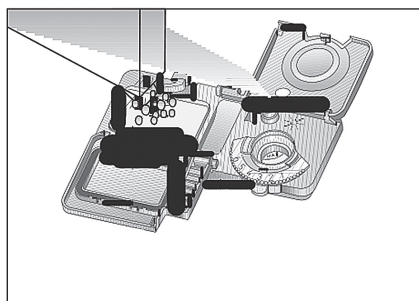
Put the detergent into the detergent dispenser just before operating the machine as illustrated below.

- Push the latch to right to open the detergent dispenser lid.



- Put suggested amount of powder or tablet detergent in the dispenser.

Inside the detergent dispenser, there are level markings that help you use appropriate amount of detergent. When brimful, detergent dispenser will contain 40 cm³ of detergent. Fill detergent up to 15 cm³ or 25 cm³ level marks in the detergent dispenser according to fullness of the machine and/or soiling degree of the dishes.



If dishes have been waiting for a long time and have dried residues, fill the 5 cm³ compartment too.

Dishwasher

3. Close the detergent dispenser lid by pressing on it lightly. A «click» will be heard when the lid is closed.

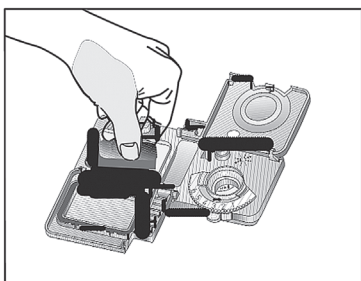
In programmes with prewash and at high temperature, in which you use tablet detergents, make sure that the detergent dispenser lid is closed firmly.

Use powder detergent in short programmes without prewash since the solubility of the tablet detergent changes depending on the temperature and time.

Excessive usage of powder detergents will cause the detergent not dissolve completely and will also cause scratches on the glassware.

Tablet detergents

Tablet detergents exhibit water softening and / or rinse aid effect in addition to detergent effect. Some types of these detergents also contain special-purpose washing chemicals such as glass and stainless steel protectors.



Tablet detergents give satisfying results only under certain usage conditions. The best washing performance in dishwashers is obtained

by using detergent, rinse aid and water softening salt individually.

Information about suitable places (detergent dispenser, basket etc.) in the dishwasher to place the tablet can be found amongst the usage instructions on the packages of the tablet detergents.

Tablet detergent types commonly found in the market:

2 in 1: Contains detergent, rinse aid or water softening salt

3 in 1: Contains detergent, rinse aid and water softening salt

4 in 1: Contains glass protectors in addition to detergent, rinse aid and water softening salt

5 in 1: Contains glass and stainless steel protectors in addition to detergent, rinse aid and water softening salt

Observe the instructions of the detergent manufacturer on the package when using tablet detergents.

When you switch to powder detergent from tablet detergent:

1. Make sure that salt and rinse aid reservoirs are full.
2. Set the water hardness to the highest level and perform an empty run.
3. After the empty washing cycle, review the user manual and readjust the water hardness level so as to suit the water supply.
4. Make the appropriate rinse aid settings.

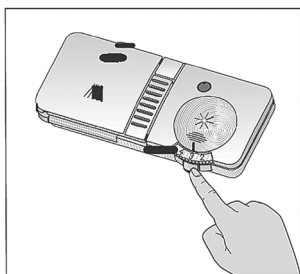
Depending on the model, salt indicator and/or rinse aid indicator must be enabled again if they were disabled before.

Rinse aid

The rinse aid used in dishwashers is a special combination used to increase drying efficiency and prevent water or limescale stains on the washed items. For this reason, care must be paid to have rinse aid in the rinse aid reservoir and to use rinse aids produced specially for dishwashers only.

Check Rinse Aid Indicator to determine whether it is necessary to add rinse aid or not (depends on the model). Having a dark light on the indicator shows that there is sufficient amount of rinse aid in the dispenser. If the colour of the indicator is light, add rinse aid.

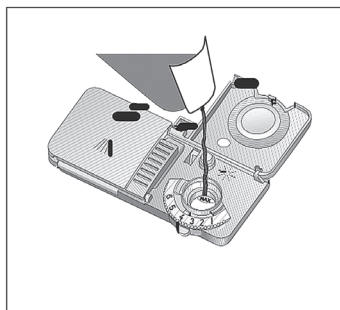
1. Open the lid of the rinse aid reservoir by pressing its latch.
2. Fill the reservoir until "MAX" level.



3. Close the lid of the reservoir by pressing on it lightly.

Wipe clean any spilled rinse aid outside the reservoir. Rinse aid that spilled accidentally will cause foaming

and it will eventually decrease washing performance.



4. Turn the rinse aid amount adjuster manually to a position between 1 and 6. If there are stains on tableware items after washing, level must be increased and if there is a blue trace after wiping them by hand, it must be decreased. This is set to position 4 as factory default.

Items not suitable for washing in the dishwasher

⤿ Never wash dishes soiled by cigarette ash, candle remnants, polish, dyestuff, chemicals, etc. in your dishwasher.

⤿ Do not wash iron alloy items in the dishwasher. It can get corroded or leave stains on other items.

⤿ Do not wash silverware and cutlery with wooden or bone stems, glued pieces, or pieces that are not resistant to heat, as well as copper and tin-plated containers in the dishwasher.

Decorative prints of chinaware as well as aluminum and silver items

Dishwasher

may get discoloured or tarnished after washing in the dishwasher just as it happens in handwashing as well. Some delicate glass types and crystals may become dull in time. We strongly recommend you to check if the tableware you are going to purchase is suitable for washing especially in the dishwasher.

Placing the dishes into the dishwasher

You can use your dishwasher in the optimum way with respect to energy consumption and washing and drying performance only if you place the dishes in an orderly way.

☞ Wipe away any coarse food remnants (bones, seeds, etc.) on the dishes before placing them in the dishwasher.

☞ Place thin, narrow pieces in the middle sections of baskets if possible.

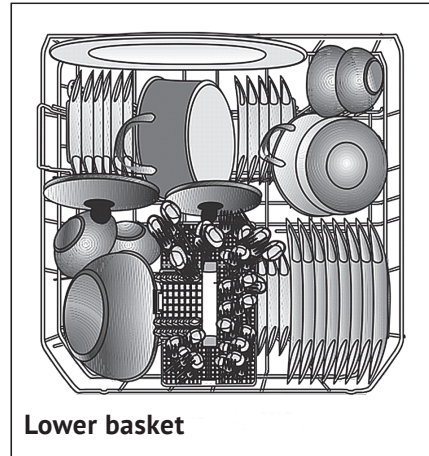
☞ There are two separate baskets in which you can place your dishes in the dishwasher. Place the heavily soiled and bigger items in the lower basket and smaller, delicate and light items in the upper basket.

☞ Place the hollowed dishes such as bowls, glasses and pans upside down in the dishwasher. Thus, accumulation of water in deep hollows is prevented.

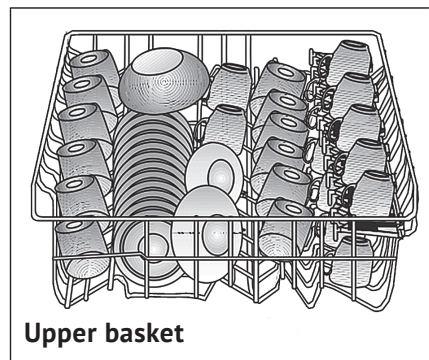
To prevent possible injuries, always place the sharp and pointed dishes such as service fork, bread knife, etc. upside down so as their pointed ends will face down or they will lie horizontally on the dish baskets.

☞ Unload dishes in the lower basket first and then the dishes in the upper basket.

Suggestions for loading the dishwasher

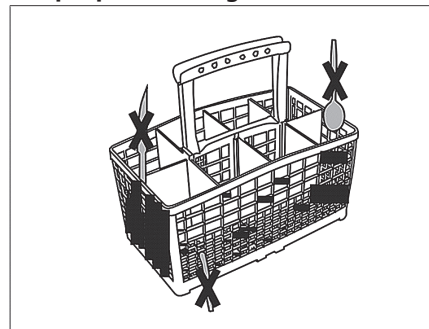


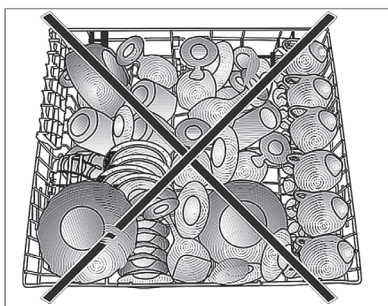
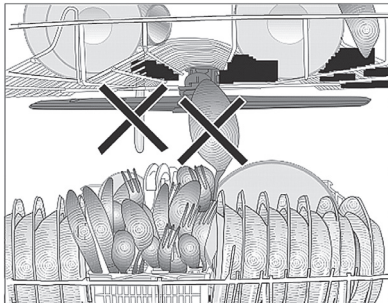
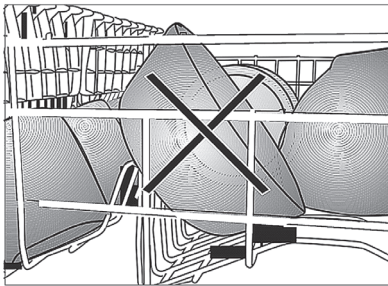
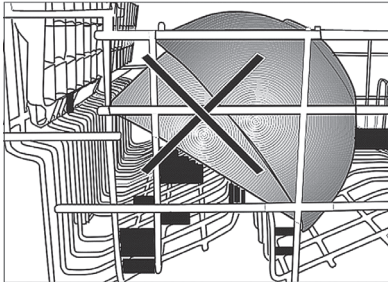
Lower basket



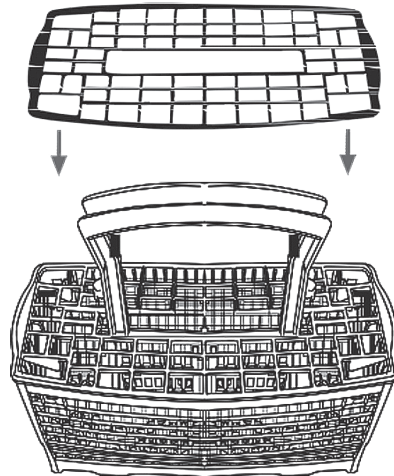
Upper basket

Improper Loading Of Dishware

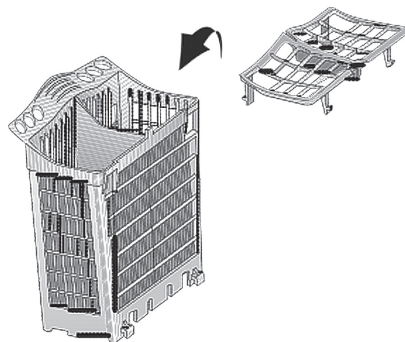


Improper Loading Of Dishware**Silverware basket
(depends on the model)**

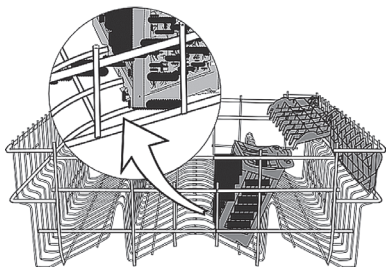
Silverware basket is designed to wash your dishes such as fork, spoon and etc. in a cleaner manner.

**Silverware basket piece
(depends on the model)**

You can place your forks, spoons and etc. to upper basket with the additional piece in the figure.

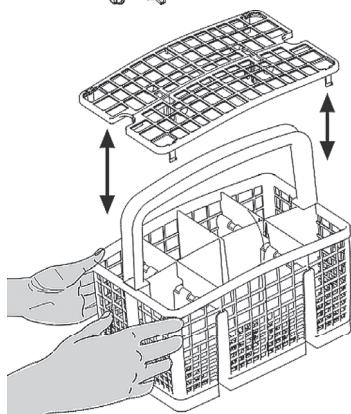
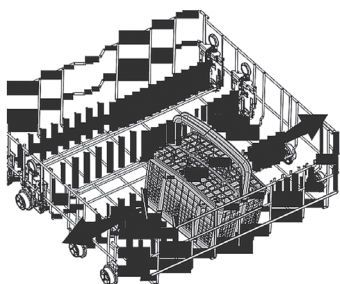


Dishwasher



**Movable silverware basket
(depends on the model)**

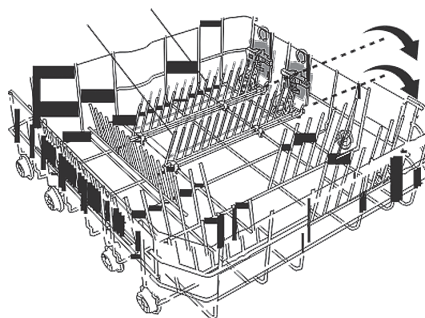
Since the cutlery basket can be moved, you can create a wider space while placing your dishes to the lower basket and free up space for your dishes in different sizes.



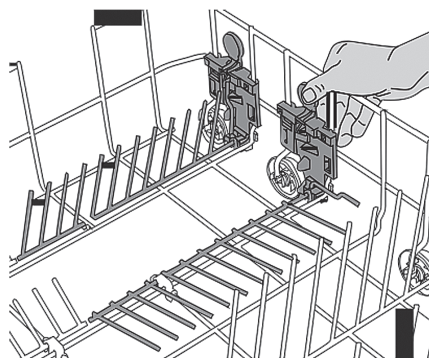
**Collapsible lower basket wires
(2 pieces)**

(depends on the model)

The two piece foldable wires located at the lower basket of the machine are designed for an easier placement of large pieces such as pans, bowls, etc. .



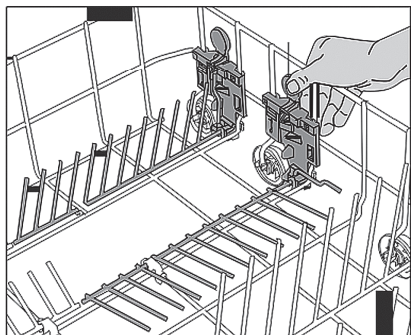
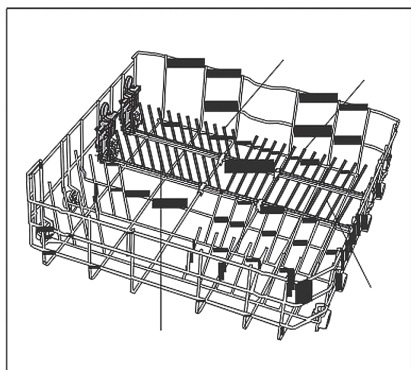
You can create larger spaces by folding each wire individually or all of them at once. Lay the foldable wires down by pressing on the latch.



Collapsible lower basket wires (4 pieces)

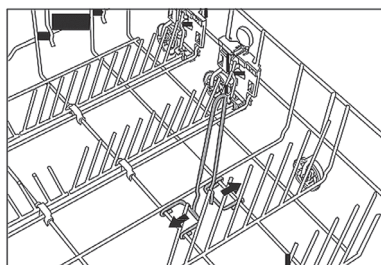
(depends on the model)

The four piece foldable wires located at the lower basket of the machine are designed for an easier placement of large pieces such as pans, bowls, etc. You can create larger spaces by folding each wire individually or all of them at once. Lay the foldable wires down by pressing on the latch.



Lower basket bottle wire (depends on the model)

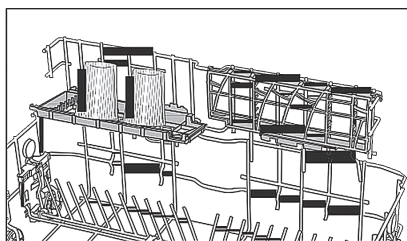
The bottle wire is designed for easier washing of long pieces with wide mouths. You may take out the bottle wire from the basket when not in use by pulling it out from both sides.



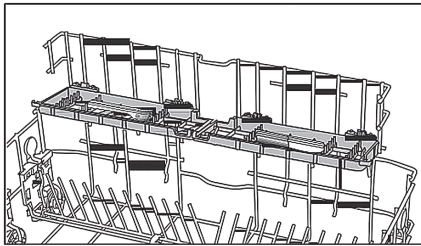
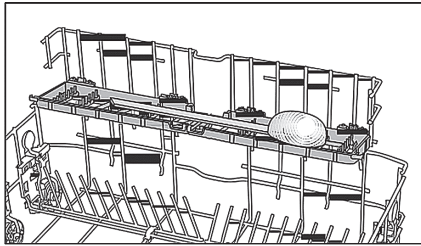
Lower basket multipurpose / height adjustable service rack

(depends on the model)

This accessory located at the lower basket of the machine allows you to easily wash pieces such as extra glasses, long ladles and bread knives.

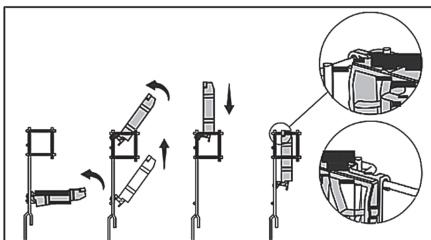


Dishwasher

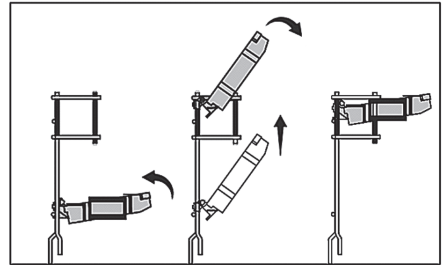


- To close the racks:
1. Fold the rack.
 2. Slide the rack up.
 3. Put the rack in vertical position.
 4. Slide the rack down and lock it with the tabs.

i Perform the same process in reverse order to open the racks.



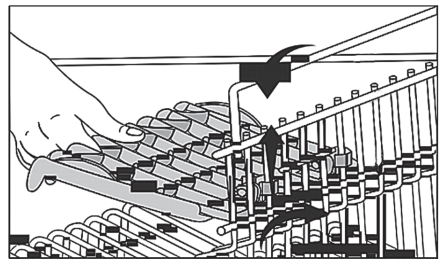
- To adjust the height of the racks:
1. Fold the rack.
 2. Slide the rack up.
 3. Open the rack at the desired level.



x Make sure that the impeller does not touch the dishes you placed on the racks.

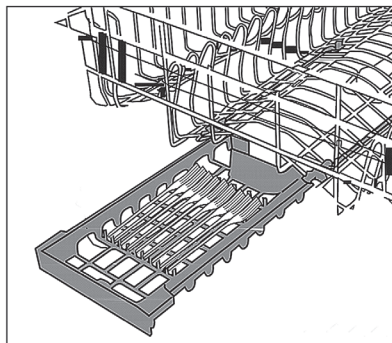
Upper basket height adjustable rack (depends on the model)

Use the lower and upper parts of the height adjustable racks in the upper basket of the machine by sliding them down or up according to the heights of the glasses, cups or etc.



Upper basket drawer (depends on the model)

You can easily place additional desert spoons, small forks and knives into the basket drawer installed to the upper basket of your machine

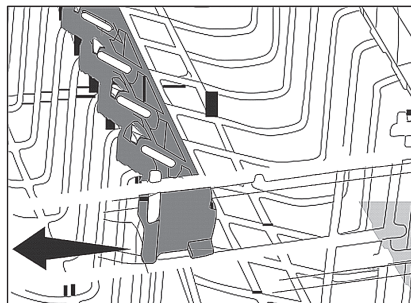
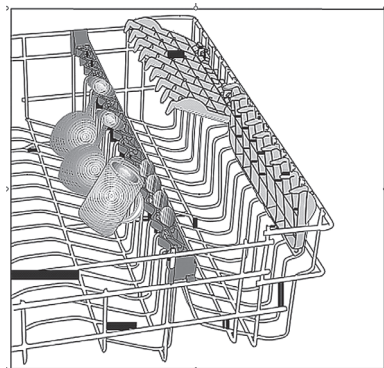


Upper basket glass support piece

(depends on the model)

When placing long stemmed glasses or wine glasses, do not lean them against other pieces but to the edge of the basket or to the rack. Do not lean long glasses against each other. They can move and get damaged during washing.

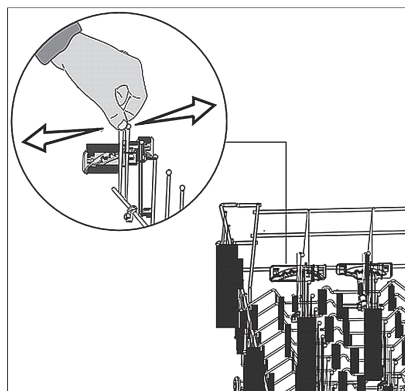
If you wish to place large-volume pieces on the upper basket, release the tab of the glass support piece from the upper basket wire it is hooked to. Thus, you can obtain a wider space.



Collapsible upper basket wires

(depends on the model)

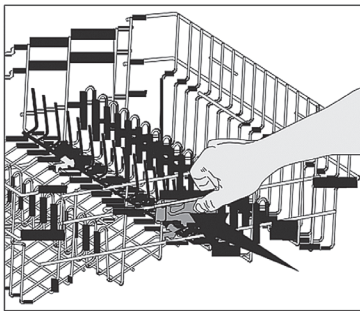
There are foldable wires on the upper basket of the machine that you can lay down when you need larger space for big dishes. To bring the collapsible wires into horizontal position, grab the first collapsible wire and push it in direction. Place your larger dishes into the area created. To bring the wires back to vertical position, just lift them up. Collapsible wires will click into the latch again.



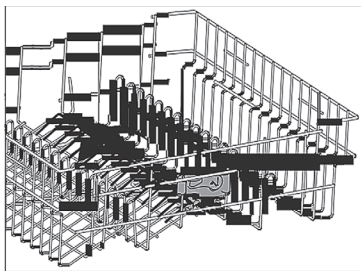
Dishwasher

**Collapsible upper basket wires
(depends on the model)**

To bring the collapsible wires on the upper basket of the machine into horizontal position, press on the latch



Place your larger dishes into the area created. To bring the wires back to vertical position, just lift them up.

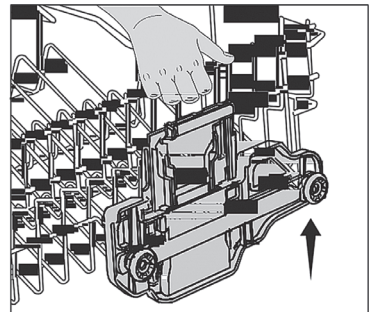
**Adjusting the height of loaded
upper basket
(depends on the model)**

Basket adjustment mechanism on the upper basket of the machine is designed to allow you create wider areas in the upper or lower section of the machine based on your requirements by adjusting the height of the loaded

basket in up or down directions without removing it from the machine.

To raise the basket:

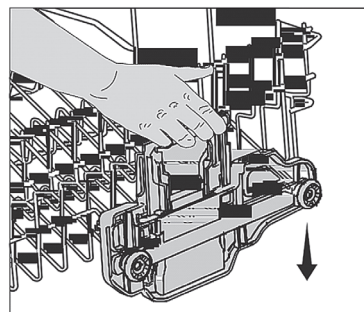
1. Grab one of the upper basket wires (right or left) and lift it up.



2. Repeat the same process to raise the other side of the basket.
3. Make sure that both sides of the basket height adjustment mechanism are at the same level (down or up).

To lower the basket:

1. Press the latch on the basket adjustment mechanism (right or left) to lower the basket.



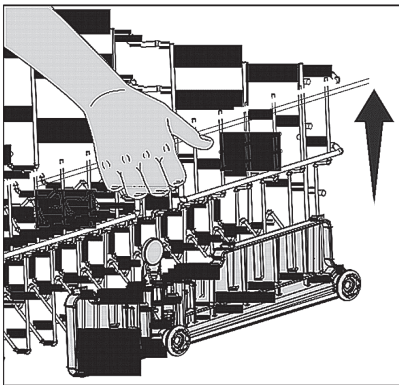
2. Repeat the same process to lower the other side of the basket.
3. Make sure that both sides of the basket height adjustment mechanism are at the same level (down or up).

Adjusting the height of loaded upper basket (depends on the model)

Basket adjustment mechanism on the upper basket of the machine is designed to allow you create wider areas in the upper or lower section of the machine based on your requirements by adjusting the height of the loaded basket in up or down directions without removing it from the machine.

To raise the basket:

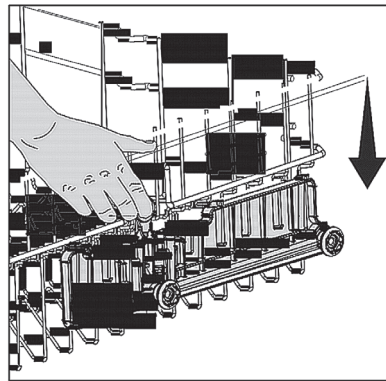
1. Grab one of the upper basket wires (right or left) and lift it up.
2. Repeat the same process to raise the other side of the basket.



3. Make sure that both sides of the basket height adjustment mechanism are at the same level (down or up).

To lower the basket:

1. Press the latch on the basket adjustment mechanism (right or left) to lower the basket.



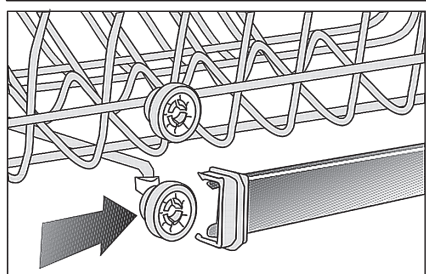
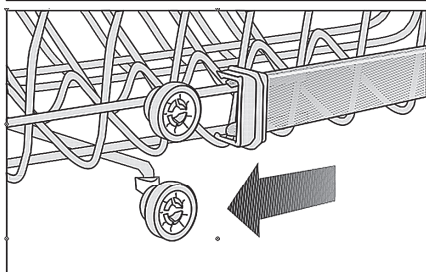
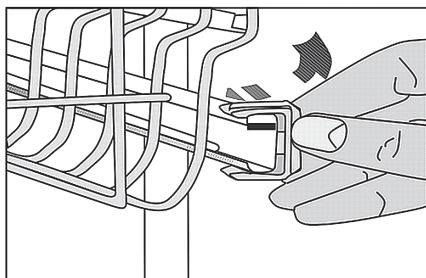
2. Repeat the same process to lower the other side of the basket.
3. Make sure that both sides of the basket height adjustment mechanism are at the same level (down or up).

Adjusting the height of empty upper basket (depends on the model)

You can adjust the height of the upper basket according to the size of the dish to be washed. Use basket rollers to change the basket height.

Dishwasher

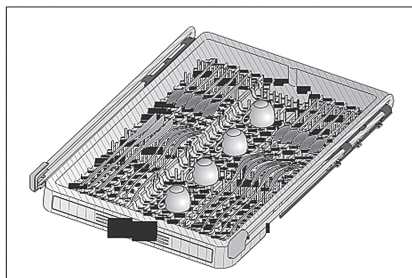
1. Turn the stoppers on the ends of the upper basket rails by turning them aside.
2. Take the basket out.
3. Change the position of the rollers, place the basket into the rail and close the stoppers.



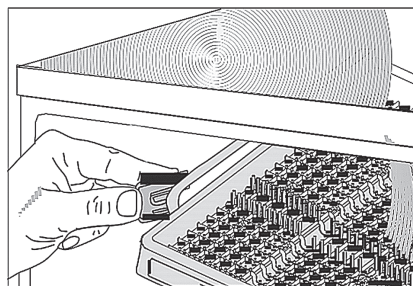
Ceiling silverware basket

Ceiling silverware basket is designed to wash small items or items

that are too long to fit into the lower silverware basket.



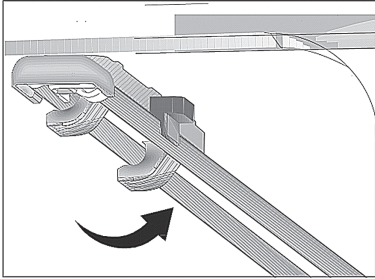
Since it can be removed from the machine easily, it allows taking out the dishes from the machine together with the basket after they are washed. It is compatible with all standard drawer sizes and can be placed into kitchen drawers and racks. Thus, there is no need to take the dishes out of the basket and lay them anymore.



Removing and installing the ceiling silverware basket:

1. Pull the basket towards yourself.
2. Turn the rail caps outwards and pull them towards yourself to remove them.

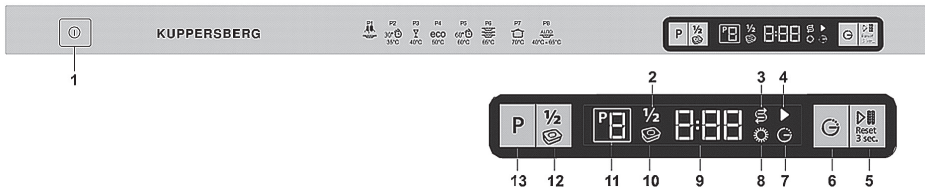
3. Raise the basket upwards and take it out the machine.
4. Pull the carrier piece towards yourself to remove it from the rails.
5. Replace the rail caps and push the rails back into their places.
6. Turn the rails inside the machine outwards and seat them properly in their places.



In order to install the ceiling silverware basket into its place, repeat the removal process in reverse order.



5. PROGRAM SELECTION AND OPERATING YOUR MACHINE

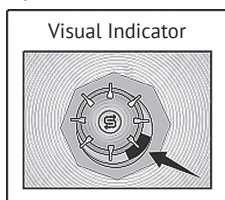


1. On / Off Key
2. Half Load Indicator
3. Salt Indicator
4. Start / Pause / Cancel Indicator
5. Start / Pause / Cancel Key
6. Time Delay Key
7. Time Delay Indicator
8. Rinse Aid indicator
9. Remaining Time / Time delay Indicator
10. Detergent Indicator
11. Indicator
12. Half Load / Tablet Detergent Key
13. Programme Selection Key

Dishwasher

Button and Button Descriptions**On / Off Key (1)**

When you press On / Off key, indicator lights illuminate on the display for ON position. The lights turn off in OFF position.

**Salt level indicator light (3)**

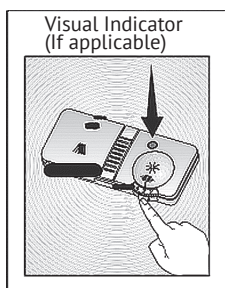
When this indicator light comes on, you must refill special salt (if applicable).

In machines which do not possess an electrical salt indicator, the salt content can be read on the container for the salt. When the visual fill indicator is dark, there is enough salt in the container.

When the colour is light, open the container and add dishwasher salt.

Rinse aid level indicator light (8)

If this indicator light comes on, you have to refill rinse aid (if applicable).



You can also tell whether rinse aid must be refilled by looking at the rinse aid dispenser. When the visual fill indicator is dark, there is enough rinse aid in the dispenser.

When the colour is light, open the dispenser and refill rinse aid.

Programme Selection Key (13)

Refer to «Table of Programme Data and Average Consumption Values» to select a programme suitable for your dishes.

Select the desired programme with programme selection key.

Half Load / Tablet Detergent Key (12)

Half Load / Tablet Detergent Key allows you to turn on and off the Half Load and Tablet Detergent functions of your machine.

Half Load Function (2)

If you want to run your machine without loading it completely, place your dishes into the machine as you desire. Press On / Off key to turn on your machine. Press the Half Load / Tablet Detergent key after selecting the desired programme until Half Load Indicator lights up, then press Start/Pause/Cancel key and close the door of your machine. With the Half Load option you can use

every part of your lower and upper baskets and you can save from both water and power.

Tablet Detergent Function


Depending on the hardness level of the tap water, the Tablet Detergent function allows obtaining a better drying performance from the multi-purpose detergents such as 2in1, 3in1, 4in1, 5in1, etc., called as all-in-one detergents. Tablet Detergent Indicator lights when the Tablet Detergent function is selected.

Salt and Rinse Aid indicators turn off when this function is activated.

Turn on your machine by pressing the On / Off key to use the Tablet Detergent function. Press the Half Load / Tablet Detergent key after selecting the desired programme until Half Load Indicator lights up, then press Start / Pause / Cancel key and close the door of your machine.

To use the Half Load and Tablet

Detergent functions concurrently, turn on your machine by pressing the On / Off key and then press the Half Load / Tablet Detergent key until Half Load and Tablet Detergent Indicators illuminate together.

 If you have used Half Load or Tablet Detergent features during the last programme you used, Half Load or Tablet Detergent function will remain active in the next washing programme you will select. If you do not want to use these functions in the new programme

you have selected, press the Half Load / Tablet Detergent key until the indicator of the relevant function turns off.

Changing Warning Sound Volume


Press and hold Half Load / Tablet Detergent key for 5 seconds until S:03 appears on the display. Every time you press the Half Load / Tablet Detergent key, the warning sound level will change as -- Off, S:01 Low, S:02 Medium, and S:03 High. Turn off your machine using the On / Off key to save it. Factory setting of your machine is S:03.

Time Delay (6)

Using the Time Delay key, you may delay the starting time of your programme up to 9 hours with increments of 30 minutes. Press Start / Pause / Cancel key after setting the Time Delay and close the door of your machine. Once the time delay is over, the selected programme will start automatically.

Start / Pause / Cancel Key (5)

When you press the Start / Pause / Cancel key, the washing programme you have selected will start. (Start / Pause / Cancel indicator lights in Start mode, and turns off in Pause mode)

 To press the Start / Pause / Cancel key, wait for two seconds

Dishwasher


after you turn on the machine by pressing the On / Off key.

Canceling a programme

To cancel the program selection while the machine is operating open the door.

! Care must be taken when opening the door, as steam will escape.

Press and hold Start / Pause / Cancel key for 3 seconds. Release the key as the Start / Pause / Cancel indicator starts flashing. Once you close the door of your machine, draining is completed in 2 minutes and the machine gives an audible warning when it is completed.

 There might be residues of detergent or rinse aid left in the machine and / or on the pieces being washed depending on the step the programme you have cancelled was in.

Changing a Programme


To change the program selection while the machine is operating open the door.


! Care must be taken when opening the door, as steam will escape.

To change your selection after the programme has started:


1. Press Start / Pause / Cancel key to switch your machine in pause mode.
2. Select the desired programme by pressing the Programme Selection key.

3. Start the new programme by pressing Start / Pause / Cancel key again.

 The new programme will start from the step where the previous one has stopped. For example, if the previous programme has remained in drying step, new one will start from the drying step as well.

 If you want to run the new programme from the very beginning, first you must cancel the current programme and then select a new programme.

Starting your machine

- Open the tap.
 - Plug in to the socket.
 - Open the door of the dishwasher.
 - Place the dishes in accordance with the instructions in the user manual.
 - Make sure that the upper and lower impellers rotate freely.
 - Put sufficient amount of detergent in the detergent dispenser and close its lid.
 - Make sure that indicators on programme display are illuminated by pressing On / Off key.
 - Check if the Salt and Rinse Aid indicators light and add salt and / or rinse aid if needed.
-  Since different salt brands in the market have different particle sizes and since the water hardness


may vary, dissolution of the salt in water may take a couple of hours. Therefore, Salt Indicator remains on for a while after adding salt into the machine.

➔ You may use Half Load / Tablet Detergent Key and Time Delay key features as necessary.

➔ Refer to «Table of Programme Data and Average Consumption Values» to select a suitable programme.

➔ Select the desired programme with Programme Selection key.

➔ Press Start / Pause / Cancel key to start the programme.

 Pay attention not to open the door of the machine when it is running.

If you need to open the door, safety system will stop your machine. There may be a rush of vapour when you open the door of your machine; be careful. The programme will resume running when you close the door.

➔ When the programme you have selected comes to an end, an audible warning signal with intervals of 8 seconds will warn you to turn off your machine. This audible signal will warn you 10 times before it turns off.


➔ Open the door of the dishwasher.

➔ Press On / Off key to turn off your machine.


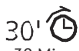






➔ Indicator lights on the programme display will turn off.

➔ Close the tap.

➔ Unplug the machine from the socket.

 Leave your dishes in the machine for about 15 minutes after they are washed in order to have them cooled down. Your dishes will dry in a shorter time if you leave the door of your machine ajar during this period. This will increase the drying effectiveness of your machine.

Dishwasher

| Programme Table | | | | | | | | |
|---|---|--|---|---|---|--|---|---|
| Programme number | 1 | 2 | 3 | 4 Reference* | 5 | 6 | 7 | 8 |
| Programme name |  Pre-wash |  30 Min. |  Delicate |  eco |  60min. |  Daily |  Intensive |  Auto |
| Cleaning temperature | - | 35°C | 40°C | 50°C | 60°C | 65°C | 70°C | 40°C-65°C |
| Degree of Soiling | Suitable for removing the remnants on the soiled dishes that will be kept waiting in the machine for a few days, and thus, for preventing the bad odor buildup. | Suitable for lightly soiled daily dishes that are scraped or pre-cleaned. | Suitable for dishes that are not pre-cleaned but washed immediately. | Most economical washing program for the medium soiled daily dishes that are kept waiting. | Daily washing program at which the medium soiled dishes that are kept waiting are cleaned in the fastest way. | Suitable for heavily soiled dishes, pots and pans. | Suitable for the dishes which require extra hygiene such as articles for babies. Also suitable for heavily soiled dishes. | Determines the soiling degree of the dishes and sets the temperature and amount of the washing water as well as the washing time automatically. Suitable for all types of dishes. |
| | - | Few | Few | Medium | Medium | High | High | Medium to high |
| Detergents A=25 cm ³ /15 cm ³ B=5 cm ³ | - | A | A | A+B | A+B | A+B | A+B | A |
| Programme sequence (without options) | Pre-wash ▼ End | Wash ▼ Cold rinse ▼ Hot Rinse ▼ End | Pre-wash ▼ Wash ▼ Cold rinse ▼ Hot Rinse ▼ Dry ▼ End | Pre-wash ▼ Wash ▼ Cold rinse ▼ Hot Rinse ▼ Dry ▼ End | Wash ▼ Cold rinse ▼ Hot Rinse ▼ Dry ▼ End | Pre-wash ▼ Wash ▼ Cold rinse ▼ Hot Rinse ▼ Dry ▼ End | Pre-wash ▼ Wash ▼ Cold rinse ▼ Hot Rinse ▼ Hot Rinse ▼ Dry ▼ End | The programme sequence is adjusted to the amount of soiling |
| Duration (min) | 15 | 30 | 71 | 163 | 60 | 136 | 124 | 78-156 |
| Water (l) | 4 | 10,2 | 13,2 | 13 | 10,2 | 14,8 | 17,8 | 10,4-14,0 |
| Energy (kWh) | - | 0,75 | 0,9 | 1,05 | 1,24 | 1,45 | 1,97 | 0,90-1,45 |

The consumption values shown in the table were determined under standard conditions. Differences may therefore occur under practical conditions.

* Reference programme for testing institutes The tests in accordance with EN 50242 must be carried out with a full water softener salt dispenser and a full rinse aid reservoir, and using the test programme.



6. MAINTENANCE AND CLEANING

Service life of the product extends and frequently faced problems decrease if it is cleaned at regular intervals.

Unplug the product and turn off the tap before attempting any cleaning procedures.

Do not use abrasive substances for cleaning.

Clean the filters and impellers at least once a week.

Cleaning the outer surface of the product

Clean the outer surface and door gaskets of the product gently with a mild cleaning material and damp cloth. Wipe the control panel only with a damp cloth.

Cleaning the interior of the machine

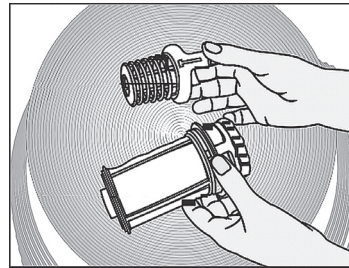
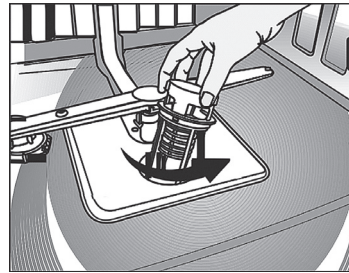
⇒ Clean the interior of the machine and the tank by running a prewash programme without detergent or a long washing programme with detergent based on the degree of soiling.

⇒ If water has remained in the machine, drain the water by performing the procedures under the topic «Canceling a programme». If the water cannot be discharged, clean any leftover deposits that have piled up in the bottom of the machine, blocking the water path.

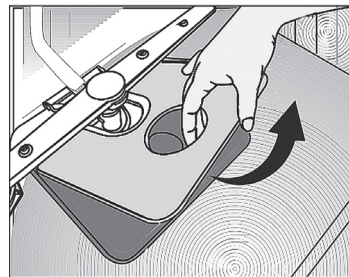
Cleaning the filters

Clean the filters at least once a week in order for the machine operates efficiently. Check if food residues are left on the filters. If there are food residues on filters, take them out and clean well under running water.

1. Turn the micro filter and coarse filter assembly counter clockwise and pull it out from its seating.

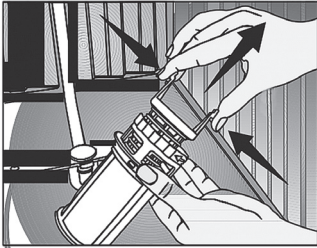


2. Pull out the metal / plastic filter.



Dishwasher

- Press the two pawls on the coarse filter inwards and separate the coarse filter from the assembly.



- Clean all three filters under tap water by means of a brush.
- Replace the metal/plastic filter.
- Place the coarse filter into the microfilter. Make sure that it is properly seated. Turn the coarse filter clockwise until a "click" sound is heard.

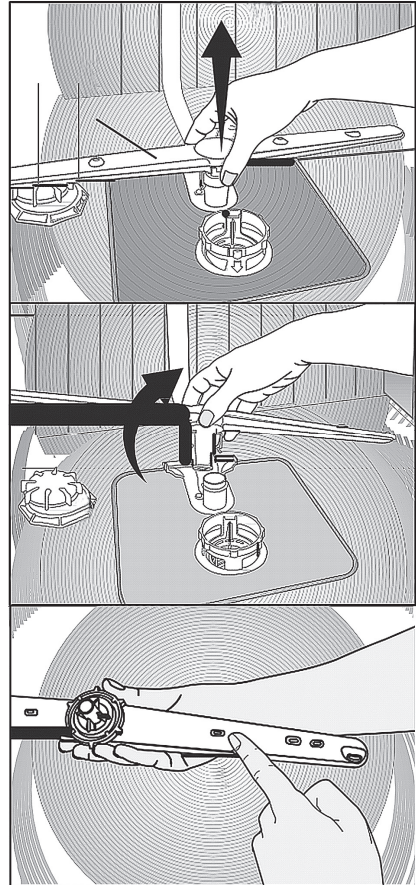
Do not use the dishwasher without filter.

Incorrect placement of the filters will reduce washing efficiency.

Cleaning the hose filter

Damages on the machine that may be caused by impurities coming from the urban supply water or your own water installation (such as sand, dirt, rust, etc.) can be prevented by means of the filter attached to the water inlet hose. Check the filter and the hose regularly and clean them if necessary.

- Turn off the tap and remove the hose.
- After taking out the filter, clean it under running tap water.
- Place the cleaned filter back to its seat in the hose.
- Install the hose to tap.



Cleaning the impellers

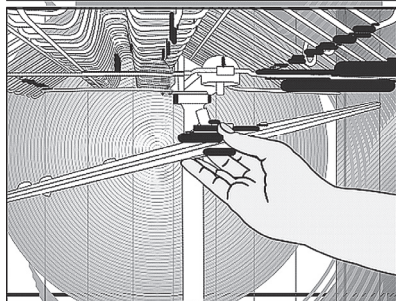
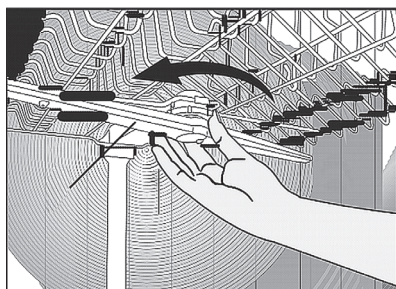
Clean the impellers at least once a week in order for the machine operates efficiently.

Lower impeller

Check if the holes on the lower impeller are clogged. If they are clogged, remove and clean the impeller. Pull the lower impeller up to remove it.

Upper impeller

Check if the holes on the upper impeller are clogged. If they are clogged, remove and clean the impeller. Turn its nut to left to remove the upper impeller. Make sure that the nut is tightened well when installing the upper impeller.

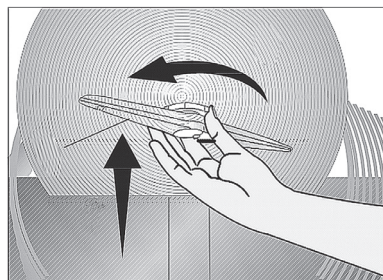


Ceiling impeller

Check if the holes on the top ceiling impeller of your machine are clogged. If they are clogged, remove and clean.

To remove the impeller, slightly push it upwards and then turn clockwise.

To install the impeller, seat it into its slot, push slightly upwards and turn it anticlockwise until it is securely fitted. When the impeller is released, check if it rotates without any obstruction.



7. TROUBLESHOOTING

Machine does not start.

- Power cable is unplugged. >>> Check if the power cable is plugged in.
- Fuse is blown. >>> Check the fuses in your house.
- Water is cut. >>> Make sure that the water inlet tap is open.
- Door of the machine is open. >>> Make sure that you have closed the door of the machine.
- On / Off button is not pressed. >>> Make sure that you have turned on the machine by pressing the On / Off button.

Dishes are not washed clean

- Dishes are not placed orderly in the machine. >>> Load the dishes as described in the user manual.

Dishwasher

☞ Selected programme is unsuitable. >>> Select a programme with a higher temperature and cycle time.

☞ Impellers are stuck. >>> Prior to starting the programme, turn the lower and upper impellers by hand to make sure that they rotate freely.

☞ Impeller holes are clogged. >>> Lower and upper impeller holes might be clogged with food remnants such as lemon pips. Clean the impellers regularly as illustrated in section «Cleaning and Care».

☞ Filters are clogged. >>> Check if the filter system is clean. Clean the filter system regularly as illustrated in section «Cleaning and Care».

☞ Filters are installed incorrectly. >>> Check the filter system and make sure that it is installed correctly.

☞ Baskets are overloaded. >>> Do not overload the baskets in excess of their capacity.

☞ Detergent is stored under unsuitable conditions. >>> If you are using powder detergent, do not store the detergent package in humid places. Keep it in a closed container if possible. For ease-of-storing, we recommend you to use tablet detergents.

☞ Detergent is not sufficient. >>> If you are using powder detergent, adjust the amount of detergent according to the soiling degree of your dishes and/or programme definitions. We recommend you to use tablet detergents for optimum results.

☞ Rinse aid is not sufficient. >>> Check the rinse aid indicator and add rinse aid if necessary. Increase the rinse aid setting if there is enough amount of rinse aid in the machine.

☞ Detergent dispenser lid is left open. >>> Make sure that the detergent dispenser lid is closed tightly after adding detergent.

Dishes are not dry at the end of cycle

☞ Dishes are not placed orderly in the machine. >>> Place your dishes in a way that no water will accumulate in them.

☞ Rinse aid is not sufficient. >>> Check the rinse aid indicator and add rinse aid if necessary. Increase the rinse aid setting if there is enough amount of rinse aid in the machine.

☞ Machine is unloaded right after the programme is over. >>> Do not unload your machine right after washing process is completed. Slightly open the door and wait for evacuation of the steam inside for a while. Unload the dishes after the pieces cool down to a touchable level. Start unloading process from the lower basket. Thus, dropping of water remained on a piece at upper basket onto the pieces at lower basket is prevented.

☞ Selected programme is unsuitable. >>> Since rinsing temperature is low at programmes with short duration, drying

performance will also be low. Select programmes with longer duration for a higher drying performance.

☞ Surface quality of the kitchen utensils is deteriorated. >>> Desired washing performance can not be obtained at kitchen utensils with deteriorated surfaces and it is not suitable to use such utensils in terms of hygiene as well. Also, water can not flow easily on deteriorated surfaces. It is not recommended to wash such kitchen utensils in dishwasher.

It is normal that drying complaints can be experienced with Teflon kitchen utensils. It is associated with the structure of Teflon. Since the surface tensions of Teflon and water are different, water droplets will remain as beads on the Teflon surface.

Tea, cafe or lipstick stains remain on dishes.

☞ Selected programme is unsuitable. >>> Select a programme with a higher temperature and cycle time.

☞ Surface quality of the kitchen utensils is deteriorated. >>> Tea and cafe stains or other dye spots may not be cleaned in dishwasher when they have penetrated in deteriorated surfaces. Desired washing performance can not be obtained at kitchen utensils with deteriorated surfaces and it is not suitable to use such utensils in terms of hygiene as well. It is not recommended

to wash such kitchen utensils in dishwasher.

☞ Detergent is stored under unsuitable conditions. >>> If you are using powder detergent, do not store the detergent package in humid places. Keep it in a closed container if possible. For ease-of-storing, we recommend you to use tablet detergents.

Lime traces remain on dishes and glassware gains a misty appearance

☞ Rinse aid is not sufficient. >>> Check the rinse aid indicator and add rinse aid if necessary. Increase the rinse aid setting if there is enough amount of rinse aid in the machine.

☞ Water hardness setting is low or salt level is insufficient >>> Measure the hardness of the supply water appropriately and check the water hardness setting.

☞ Salt leakage exists. >>> Pay attention not to spill salt around the salt filling hole while adding salt. Make sure that the salt reservoir lid is tightly closed after finishing the filling process. Run the prewash programme to remove the salt that spilled inside the machine. Since the salt granules that will remain under the lid will dissolve during prewash, causing the lid loosen, check the lid once again at the end of the programme.

Dishwasher

There is a different odour in the machine

A new machine has a peculiar odour. It will fade out after a couple of washings.

➤ Filters are clogged. >>> Check if the filter system is clean. Clean the filter system regularly as illustrated in section «Cleaning and Care».

➤ Dirty dishes are kept in dishwasher for 2-3 days. >>> If you are not going to start the machine right after you have put the dishes into it, remove the remnants on the dishes and run the Prewash programme without detergent every 2 days. In such cases, do not close the door of the machine completely in order to avoid odour build up in machine. You can also use commercially available odour removers or machine cleaners.

Rust, discoloration or surface deterioration occurs on dishes

➤ Salt leakage exists. >>> Salt may cause deterioration and oxidation on metal surfaces. Pay attention not to spill salt around the salt filling hole while adding salt. Make sure that the salt reservoir lid is tightly closed after finishing the filling process. Run the prewash programme to remove the salt that spilled inside the machine. Since the salt granules that will remain under the lid will dissolve during prewash, causing the lid to loosen, check the lid once again at the end of the programme.

➤ Salty food remnants have remained on dishes for a long time. >>> If silverware soiled with such foods will be kept waiting in machine, dirt must be removed by prewash or dishes must be washed without being kept waiting.

➤ Electric installation is not grounded. >>> Check if your machine is connected to the actual grounding line. Otherwise, the static electric created in the product causes arcs on the surfaces of metal items creating pores, removing the protective cover on the surface and causing discoloration.

➤ Intensive cleansers such as bleaches are used. >>> Protective cover on metal surfaces gets damaged and loses its efficiency in time when it gets in contact with cleansers such as bleach. Do not wash your dishes with bleach.

➤ Metal items particularly such as knives are used for purposes other than their intended uses. >>> Protective cover on the edges of knives may get damaged when they are used for purposes such as opening cans. Do not use metal kitchen utensils out of their intended uses.

➤ Silverware are made of low quality stainless steel. >>> Corrosion on such items is inevitable; they should not be washed in dishwashers.

➤ Kitchen utensils that are already corroded are washed in dishwasher. >>> Rust on a corroded item can

migrate to other stainless steel surfaces and cause corrosion on those surfaces as well. Such items should not be washed in dishwashers.

Detergent remains in detergent dispenser.

➔ Detergent dispenser was damp when adding detergent. >>> Make sure that the detergent dispenser is dried well prior to filling it with detergent.

➔ Detergent is added long before the washing process. >>> Pay attention to add detergent shortly before start-up of the washing.

➔ Opening of the detergent dispenser lid is prevented during washing. >>> Place the dishes in a way that will not prevent the detergent dispenser lid from opening and the water going into the machine from impellers.

➔ Detergent is stored under unsuitable conditions. >>> If you are using powder detergent, do not store the detergent package in humid places. Keep it in a closed container if possible. For ease-of-storing, we recommend you to use tablet detergents.

➔ Impeller holes are clogged. >>> Lower and upper impeller holes might be clogged with food remnants such as lemon pips. Clean the impellers regularly as illustrated in section «Cleaning and Care».

Decorations and ornaments on kitchen utensils are being erased.

Decorated glasses and decorated luster porcelains are not suitable for washing in the dishwasher. Manufacturers of glassware and porcelain tableware items do not recommend washing such kitchen utensils in the dishwashers either.

Dishes are scratched.

Kitchen utensils that contains or are made of aluminum should not be washed in dishwasher.

➔ Salt leakage exists. >>> Pay attention not to spill salt around the salt filling hole while adding salt. Spilled salt can cause scratches. Make sure that the salt reservoir lid is tightly closed after finishing the filling process. Run the prewash programme to remove the salt that spilled inside the machine. Since the salt granules that will remain under the lid will dissolve during prewash, causing the lid loosen, check the lid once again at the end of the programme.

➔ Water hardness setting is low or salt level is insufficient >>> Measure the hardness of the supply water appropriately and check the water hardness setting.

➔ Dishes are not placed orderly in the machine. >>> When placing the glasses and other glassware into the basket lean them not against other dishes but the edges or racks of the basket or the glass support wire.

Dishwasher

↻ Striking of the glasses to each other or to other dishes due to the impact of water during washing can cause breaks, or scratches on their surfaces.

A smear remains on glasses that resembles milk stain which can not be removed when wiped by hand. A bluish / rainbow appearance occurs when the glass is pointed to light.

↻ Excessive rinse aid is used. >>> Lower rinse aid setting. Clean the spilled rinse aid when adding rinse aid.

↻ Corrosion has occurred on glass due to soft water. >>> Measure the hardness of the supply water appropriately and check the water hardness setting. If your supply water is soft (<5 dH), do not use salt. Choose programmes that wash in higher temperatures (e.g. 60-65°C). You can also use glass protective detergents that are commercially available.

Foam forms in the machine.

↻ Dishes are washed with hand-wash detergent by hand but not rinsed before placing them into the machine. >>> Hand-wash detergents do not contain antifoam. There is no need to hand-wash the dishes before placing them into the machine. Removing the coarse soil on the dishes under tap water, with a tissue paper or fork will be sufficient.

↻ Rinse aid has spilled into the machine when adding rinse aid. >>> Take care that rinse aid is not spilled in the machine when you are filling it. Clean any spilled rinse aid with the help of a tissue paper/towel.

↻ Lid of the rinse aid reservoir is left open. >>> Make sure that the lid of the rinse aid reservoir is closed after adding rinse aid.

Kitchen utensils are broken.

↻ Dishes are not placed orderly in the machine. >>> Load the dishes as described in the user manual.

↻ Baskets are overloaded. >>> Do not overload the baskets in excess of their capacity.

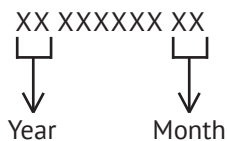
Water remains in the dishwasher at the end of the programme.

↻ Filters are clogged. >>> Check if the filter system is clean. Clean the filter system regularly as illustrated in section «Cleaning and Care».

↻ Discharge hose is clogged/ blocked. >>> Check the discharge hose. If necessary, remove the discharge hose, clear the blockage and insert it as illustrated in the user manual.

If you cannot eliminate the problem although you follow the instructions in this section, consult your dealer or the Authorised Service Agent. Never try to repair a nonfunctional product yourself.

DETERMINATION OF THE PRODUCTION DATE BY SERIAL NUMBER:



Manufacturers:

Arçelik A.S.
Altınordu Cad. No: 3 Organize Sanayi Bölgesi 06935, Ankara, Türkiye

Importers:

LLC «MG Rusland», 141400
Moscow region, Khimki, Butakovo, 4

LLC «Kuppersberg-Import», 125438
Moscow, Avtomotornaya, 7

Made in Turkey



**СОДЕРЖАНИЕ**

| | |
|---|----|
| 1. ПОСУДОМОЕЧНАЯ МАШИНА | 41 |
| 2. ОСНОВНЫЕ ТРЕБОВАНИЯ БЕЗОПАСНОСТИ..... | 42 |
| 3. УСТАНОВКА | 44 |
| 4. ПРЕДВАРИТЕЛЬНАЯ МОЙКА | 50 |
| 5. ВЫБОР ПРОГРАММЫ И УПРАВЛЕНИЕ ПРИБОРОМ..... | 67 |
| 6. ОБСЛУЖИВАНИЕ И ЧИСТКА..... | 73 |
| 7. ПОИСК И УСТРАНЕНИЕ НЕИСПРАВНОСТЕЙ..... | 75 |

Ознакомьтесь с этой инструкцией до начала использования прибора! Уважаемый покупатель!

Мы надеемся, что вы получите максимальную пользу при использовании приобретенного вами прибора, который изготовлен на оснащемном по последнему слову технике заводе и прошел самый строгий контроль качества.

Внимательно изучите настоящую инструкцию до начала использования прибора, сохраните ее и обращайтесь к ней по мере возникновения вопросов. В случае передачи данного прибора в пользование другим лицам также вместе с ним обязательно передавайте и эту инструкцию.

Соблюдая указания инструкции по эксплуатации, вы сможете просто и безопасно использовать прибор.

➔ Перед началом эксплуатации внимательно ознакомьтесь с инструкцией.

➔ Обязательно соблюдайте требования техники безопасности.

➔ Храните данную инструкцию по эксплуатации в доступном месте и обращайтесь к ней по мере возникновения вопросов.


➔ Кроме того, вам следует ознакомиться и с другими документами, входящими в комплект поставки прибора.


Обращаем также ваше внимание на то, что данная инструкция по эксплуатации относится к нескольким моделям.


Различия между моделями будут указаны в тексте инструкции.

Используемые знаки

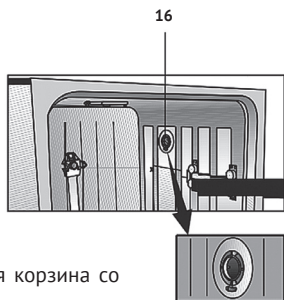
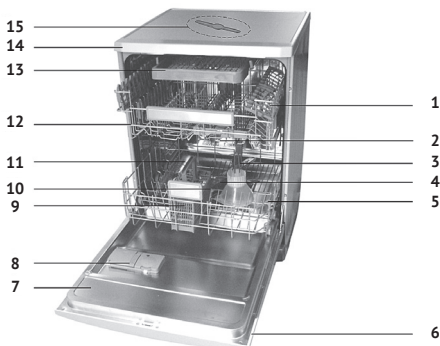
В данной инструкции по эксплуатации используются следующие знаки:

 Важная информация или полезные советы по эксплуатации

 Предупреждение о наличии опасной для людей и имущества ситуации

 Предупреждение об опасности получения электротравмы

1. ПОСУДОМОЕЧНАЯ МАШИНА



- 1. Верхняя корзина со стойкой
- 2. Верхняя крыльчатка
- 3. Нижняя крыльчатка
- 4. Фильтры
- 5. Нижняя корзина
- 6. Панель управления
- 7. Дверца
- 8. Дозатор моющего средства
- 9. Корзина для столового серебра
- 10. Гнездо нижней крыльчатки
- 11. Крышка емкости для соли
- 12. Направляющая верхней корзины
- 13. Верхняя корзина для столового серебра
- 14. Верхняя панель (в зависимости от модели)
- 15. Крыльчатка верхней панели
- 16. Система вентиляционной сушки – турбосушка (в зависимости от модели)

Посудомоечные машины

Технические характеристики



Изделие соответствует следующим директивам ЕС:

Этапы разработки, производства и продажи этого изделия отвечают требованиям техники безопасности, содержащимся в соответствующих нормативах Европейского Союза.

2006/95/ЕС, 2004/108/ЕС, 93/68/ЕЕС, МЭК 60436, EN 50242

| | |
|---|---|
| Параметры сети питания | 220–240 В, 50 Гц |
| Полная потребляемая мощность | 1900–2200 Вт |
| Потребляемая мощность нагревателя | 1800 Вт |
| Полный потребляемый ток (в зависимости от модели) | 10 А (см. заводскую табличку) |
| Потребляемая мощность сливного насоса | 30 Вт |
| Давление воды | 0,3–10 бар (= 3–100 Н/см ² = 0,01–1,0 МПа) |

В целях повышения качества изделия технические характеристики могут быть изменены без предварительного уведомления об этом.

Изображения, приведенные в данной инструкции, являются схематичными и могут не полностью соответствовать приобретенному вами прибору.

Значения параметров, указанные на этикетках изделия или в сопроводительной документации, получены в лабораторных условиях в соответствии с существующими стандартами. В зависимости от условий эксплуата-

ции и окружающей среды значения этих параметров могут изменяться.

Примечание для организаций, выполняющих испытания:

Информация для проведения испытаний рабочих характеристик предоставляется по запросу.

Запросы следует направлять по адресу электронной почты:

dishwasher@standardloading.com

Кроме своей контактной информации в сообщении электронной почты следует также указать кодовое обозначение, номер партии и серийный номер изделия. Кодовое обозначение, номер партии и серийный номер приводятся на заводской табличке, расположенной сбоку от дверцы.



2 ОСНОВНЫЕ ТРЕБОВАНИЯ БЕЗОПАСНОСТИ

В этом разделе приведены требования безопасности, соблюдение которых позволит предотвратить нанесение травм или материального ущерба. В случае несоблюдения этих требований все гарантийные обязательства аннулируются.

Общие требования безопасности

➔ Не устанавливайте прибор на ковровое покрытие, поскольку недостаточное воздушное охлаждение нижней части может привести к перегреву электрических частей, что приведет к нарушениям в работе.

⇒ Не используйте прибор в случае повреждения кабеля питания или вилки. Обратитесь в официальный сервисный центр.

⇒ Данный прибор следует подключать к заземленной и защищенной предохранителем розетке, параметры которой соответствуют данным, приведенным в таблице «Технические характеристики». Прибор обязательно должен быть заземлен. Подключение к системе заземления должно быть выполнено квалифицированным электриком. Компания-изготовитель не несет никакой ответственности за любой ущерб, который может возникнуть вследствие отсутствия заземления или его несоответствия действующим правилам устройства электроустановок.

⇒ С целью предотвращения утечек шланги подачи и слива воды должны быть надежно закреплены и не иметь повреждений.

⇒ Отключайте прибор от электрической сети после использования.

⇒ Запрещается мыть прибор, направляя на него струи воды. Это может привести к электротравмам!

⇒ Не прикасайтесь к вилке кабеля питания влажными руками. Извлекая вилку из розетки, не тяните за кабель; удерживайте рукой только вилку.

⇒ Перед выполнением работ, связанных с установкой, техническим обслуживанием, ремонтом или мойкой прибора, обязательно отключите его от электрической сети.

⇒ Работы по установке и ремонту прибора должны выполнять только специалисты официального сервисного центра. Компания-изготовитель не несет ответственности за ущерб, который может возникнуть в результате выполнения работ лицами, не имеющими соответствующих полномочий.

⇒ Не применяйте для чистки прибора химические растворители. Это может привести к взрыву.

⇒ Если полностью выдвинуть верхнюю и нижнюю корзины, нагрузка от их веса будет полностью приложена к дверце прибора. Не кладите на дверцу дополнительный груз, иначе прибор может опрокинуться.

⇒ Дверцу прибора следует открывать только при загрузке и выгрузке посуды.

⇒ Открывать дверцу работающего прибора допускается только в случае крайней необходимости. Будьте осторожны! При открытии дверцы может произойти выброс пара.

Назначение прибора

⇒ Данный прибор предназначен для бытового использования.

⇒ Прибор следует применять только для мойки посуды, используемой в быту.

⇒ Допускается применение только моющих средств, средств для ополаскивания и добавок, предназначенных для посудомоечных машин.

Посудомоечные машины

⇒ Компания-изготовитель не несет никакой ответственности за любой ущерб, который может возникнуть вследствие неправильного применения или транспортировки прибора.

⇒ Проектный срок службы прибора составляет 10 лет. В течение этого срока для обеспечения надежной работы прибора компания-изготовитель предоставляет оригинальные запасные части.

⇒ Этот прибор не предназначен для использования лицами с ограниченными физическими, сенсорными или психическими возможностями, а также необученными или неопытными людьми (включая детей), если они не находятся под присмотром лица, ответственного за их безопасность, или не действуют по его указаниям относительно использования данного прибора.



ОБЕСПЕЧЕНИЕ БЕЗОПАСНОСТИ ДЕТЕЙ

⇒ Электроприборы представляют опасность для детей. Не позволяйте детям подходить к работающему прибору. Следите за тем, чтобы они не повредили машину.

⇒ Выходя из помещения, в котором установлена машина, обязательно закрывайте дверцу.

⇒ Храните моющие средства и добавки в безопасном, недоступном для детей месте.



3. УСТАНОВКА

Для выполнения установки прибора обратитесь в ближайший к вам официальный сервисный центр. При подготовке изделия к эксплуатации, прежде чем обращаться в официальный сервисный центр, убедитесь в том, что электроустановка, система подачи и слива воды нормально функционируют. При необходимости обратитесь к квалифицированному электрику или сантехнику для устранения неисправностей.

Подготовка места для установки изделия, а также подготовка к подключению прибора к электрической сети, водопроводу и канализации, являются обязанностью покупателя.

Установка и подключение к электрической сети должны выполняться специалистами официального сервисного центра. Компания-изготовитель не несет ответственности за ущерб, который может возникнуть в результате выполнения работ лицами, не имеющими соответствующих полномочий.

Перед установкой необходимо выполнить осмотр прибора на наличие дефектов. Если таковые имеются, установка изделия не допускается.

Эксплуатация поврежденных изделий может представлять опасность для людей.

При перемещении прибора на место, например, во время установки или после чистки, не допускайте возникновения перегибов, защем-

ления или разрывов во впускном и сливном шлангах.

При размещении прибора следите за тем, чтобы случайно не были повреждены пол, стены, трубопроводы и другие предметы. При перемещении прибора не удерживайте его за дверь или панель.

Выбор места для установки

➔ Прибор должен быть установлен на ровном твердом полу, рассчитанном на соответствующую нагрузку. Для обеспечения удобного и безопасного закрытия дверцы прибор следует установить на ровной поверхности.

➔ Не допускается установка прибора в помещениях, в которых температура может опускаться ниже 0 °С.

➔ Между прибором и другой мебелью должен оставаться промежуток не менее 1 см.

➔ Прибор должен быть установлен на твердом основании. Не допускается установка прибора на ковровом покрытии с длинным ворсом или подобных поверхностях.

Не устанавливайте прибор на кабель питания.

➔ Место установки должно обеспечивать возможность быстрой и удобной загрузки и выгрузки посуды.

➔ Прибор следует устанавливать рядом с краном и сливным отверстием. Выбирайте место установки с учетом того, что оно не будет изменено после выполнения всех подключений.

Подключение к водопроводной сети

Рекомендуется устанавливать фильтр на шланге подачи воды из домашнего/квартирного трубопровода с целью защиты прибора от повреждений, которые могут быть вызваны загрязнениями (песок, грязь, ржавчина и т.д.), попавшими из городского водопровода или автономной системы водоснабжения, а также для предупреждения таких проблем, как пожелтение или накопление отложений после мойки посуды.

Допустимая температура воды: до 25 °С

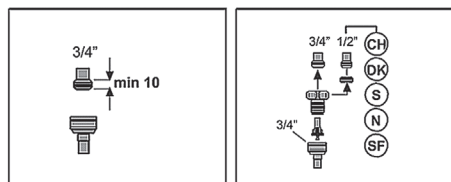
Посудомоечную машину не допускается подключать к водонагревателям открытого типа, а также проточным водонагревателям.

➔ Не подсоединяйте к новой посудомоечной машине шланги подачи воды, которые уже были в использовании. Используйте новый шланг подачи воды, входящий в комплект поставки.

➔ Подсоедините шланг подачи воды непосредственно к водопроводному крану. Давление в кране должно находиться в пределах от 0,3 до 10 бар. Если давление воды превышает 10 бар, между шлангом и краном следует установить перепускной клапан.

Для подсоединения шланга подачи воды к водопроводному крану с наружной резьбой $\frac{3}{4}$ дюйма используйте резьбовой соединитель. При необходимости установите фильтр для очистки от находящихся в трубах отложений.

Посудомоечные машины

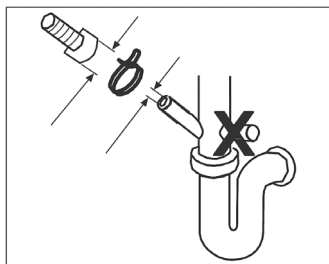
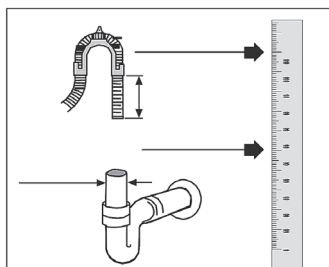


➔ После подсоединения полностью откройте краны для проверки на наличие утечек воды.

В целях безопасности полностью закрывайте кран подачи воды после завершения программы мойки.

Подключение к сливу воды

Сливной шланг может быть подсоединен непосредственно к сливному отверстию или сливной трубе раковины. Место соединения должно находиться на расстоянии не менее 50 см и не более 110 см от уровня пола.



Не рекомендуется использовать сливные шланги длиной более 4 метров, поскольку это снижает качество мойки посуды.

Подсоедините сливной шланг к сливной трубе, не сгибая его. Сливной шланг должен быть надежно прикреплен к сливной трубе, так чтобы исключалась возможность его срыва во время работы прибора.

Сливная труба должна быть подсоединена к канализационной системе, слив непосредственно в водоем не допускается.

Регулировка ножек

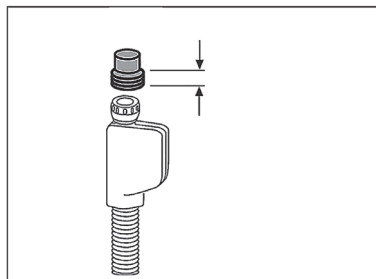
Если дверца прибора не закрывается надлежащим образом, либо он покачивается даже от небольшого толчка, следует отрегулировать его ножки, как показано в инструкции по установке, которая входит в комплект поставки.

Aquasafe+

(в зависимости от модели)

Система Aquasafe+ должна быть защищена от утечек воды в месте присоединения впускного шланга. Кроме того, необходимо предотвратить попадание воды в клапанную коробку системы. В противном случае электрические компоненты могут быть повреждены. При обнаружении повреждения системы Aquasafe отсоедините прибор от электросети и обратитесь в официальный сервисный центр.

Поскольку в комплект входят шланги с электрическими соединениями и цепями, не допускается укорачивать шланги или удлинять их с помощью дополнительных шлангов.



Подключение к электросети

Данный прибор следует подключить к заземленной и защищенной предохранителем розетке, параметры которой соответствуют данным, приведенным в таблице «Технические характеристики».

Компания-изготовитель не несет никакой ответственности за любой ущерб, который может возникнуть вследствие отсутствия заземления или его несоответствия действующим правилам устройства электроустановок.

⇒ Подключение должно соответствовать требованиям правил устройства электроустановок.

⇒ Прибор следует установить таким образом, чтобы подсоединенная к розетке вилка кабеля питания располагалась в доступном месте.

По завершении программы мойки отсоедините прибор от сети питания.

⇒ Напряжение питания и допустимые характеристики предохранителя или автоматического выключателя указаны в разделе «Технические

характеристики». Если в вашем доме установлен предохранитель или автоматический выключатель, рассчитанный на ток меньше 16 А, обратитесь к квалифицированному электрику для установки предохранителя на 16 А.

⇒ Напряжение в сети должно соответствовать напряжению, указанному в технических характеристиках прибора.

⇒ Запрещается подключение прибора к сети электропитания с помощью удлинителя или блока розеток.

Замена поврежденного кабеля питания должна производиться только специалистом официального сервисного центра.

В случае возникновения неисправности следует прекратить дальнейшее использование прибора и обратиться в официальный сервисный центр для проведения ремонта.

Первоначальное использование прибора

Перед началом эксплуатации посудомоечной машины выполните подготовительные действия, описанные в разделе «Установка», соблюдая при этом требования, приведенные в разделе «Основные требования безопасности».

⇒ Чтобы подготовить прибор к мойке посуды, сначала запустите самую короткую программу с моющим средством, но без посуды. При первом использовании залейте в емкость для соли один литр воды, затем засыпьте в нее соль.

В посудомоечной машине может оставаться немного воды, использо-

Посудомоечные машины

вавшейся в процессе контроля качества на предприятии-изготовителе. Это не влияет на нормальную работу прибора.

Утилизация упаковочных материалов

Упаковочные материалы представляют опасность для детей. Храните упаковочные материалы в безопасном, недоступном для детей месте.

Упаковка посудомоечной машины изготовлена из материалов, подлежащих вторичной переработке. Поэтому их необходимо отсортировать и утилизировать в соответствии с правилами утилизации отходов. Не допускается выбрасывать упаковочные материалы вместе с обычными бытовыми отходами.

Транспортировка прибора

Перемещение прибора должно осуществляться строго в вертикальном положении, поддерживать его допускается с задней стороны. Наклон прибора вперед может привести к попаданию воды на электронные компоненты и выходу их из строя.

1. Перед транспортировкой отключите прибор от электрической сети.
2. Отсоедините шланги от водопровода и системы слива.
3. Полностью слейте из прибора всю оставшуюся воду.

Утилизация отработавшего срок службы изделия

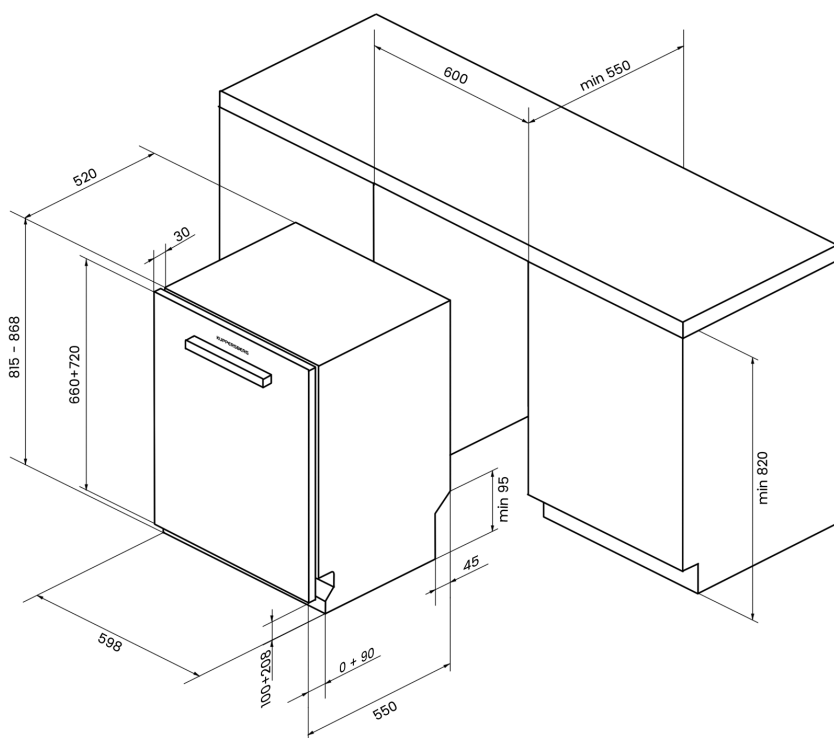


Утилизация отработавшего срок службы изделия должна проводиться экологически безопасным способом. Некоторые части посудомоечной машины изготовлены из материалов, подлежащих вторичной переработке. Наряду со знаком повторной переработки на материале указывается информация о его составе (PE, PS, POM и т.д.). Не допускается утилизировать эти материалы, как обычные бытовые отходы.

Сведения о правилах утилизации могут быть получены у местного дилера или в службе утилизации твердых отходов.

Перед утилизацией изделия необходимо обрезать кабель питания и сломать замок дверцы, чтобы исключить возможную опасность для детей

Технические чертежи



4. ПРЕДВАРИТЕЛЬНАЯ МОЙКА

Рекомендации по экономии электроэнергии

Выполнение приведенных ниже рекомендаций при использовании посудомоечной машины позволит вам предотвратить загрязнение окружающей среде и обеспечить экономию энергии.

- Прежде чем помещать тарелки в прибор, очищайте их от крупных остатков пищи.
- Включайте программу мойки только после полной загрузки прибора.
- При выборе программы руководствуйтесь «Таблицей программ».
- Не превышайте количество моющего средства, указанное на его упаковке.

Водоумягчительная система

Для нормальной работы посудомоечной машины требуется умягченная вода. Если жесткость воды превышает 6°dH, ее необходимо умягчить и очистить от солей. При несоблюдении этого условия ионы, отвечающие за жесткость воды, могут скапливаться на поверхности посуды и ухудшать качество мойки и сушки, а также блеск посуды.

Прибор оснащен водоумягчительной системой, которая позволяет снизить жесткость поступающей в него воды. Эта система умягчает воду до уровня, обеспечивающего необходимое качество мойки посуды.

Настройка водоумягчительной системы

Правильная настройка водоумягчительной системы обеспечивает повышение качества мойки посуды.

При настройке системы воспользуйтесь входящей в комплект поставки машины индикаторной полоской для определения жесткости воды.

Настройки жесткости воды

Умягчение воды

Для посудомоечной машины требуется достаточно мягкая вода. Если ее жесткость превышает 6°dH, то на посуде будет образовываться накипь, поэтому, чтобы предотвратить это, для умягчения в воду автоматически добавляется специальная соль, благодаря чему достигается наилучшее качество мойки и сушки посуды.

Жесткость воды можно узнать, обратившись в местную компанию водоснабжения, или измерить ее с помощью прилагаемого бумажного индикатора



☞ Чтобы измерить жесткость воды, выполните указанные ниже действия: При отключенной машине нажмите и удерживайте кнопку выбора программы, затем, не отпуская ее, нажмите кнопку ВКЛ/ОТКЛ для включения машины. Отпустите кнопку выбора программы после того, как сохраненный в приборе уровень жесткости воды отобразится в формате «г.....».

☞ Пиктограмма Пуск/Стоп начнет мигать, как только сохраненный в приборе уровень жесткости воды отобразится в формате «г.....».

☞ Нажав кнопку отложенного пуска, выберите из таблицы уровней жесткости воды подходящий для прибора уровень жесткости.

☞ Один раз нажмите кнопку «Пуск/Пауза/Отмена», чтобы сохранить выбранный уровень.

☞ После сохранения нового уровня жесткости пиктограмма Пуск/Стоп будет гореть ровным светом.

☞ Нажмите кнопку ВКЛ/ОТКЛ, чтобы отключить прибор.

Таблица настройки уровня жесткости воды

| Уровень жесткости | Английские градусы жесткости °dE | Немецкие градусы жесткости °dH | Французские градусы жесткости °dF* | Индикатор уровня жесткости воды |
|---|----------------------------------|--------------------------------|------------------------------------|---|
| 1-й уровень  | 0–5 | 0–4 | 0–8 | Для переключения уровня жесткости воды в положение 1, нажмите кнопку отложенного пуска. r1 |
| 2-й уровень  | 6–9 | 5–7 | 9–13 | |
| 3-й уровень  | 10–15 | 8–12 | 14–22 | Для переключения уровня жесткости воды в положение 2, нажмите кнопку отложенного пуска. r2 |
| 4-й уровень  | 16–19 | 13–15 | 23–27 | Для переключения уровня жесткости воды в положение 3, нажмите кнопку отложенного пуска. r3 |
| 5-й уровень  | 20–24 | 16–19 | 28–34 | Для переключения уровня жесткости воды в положение 4, нажмите кнопку отложенного пуска. r5 |
| 6-й уровень  | 25–62 | 20–50 | 35–90 | Для переключения уровня жесткости воды в положение 5, нажмите кнопку отложенного пуска. r5 |

Если уровень жесткости используемой воды превышает 90 °dF (французские градусы жесткости воды), а также при использовании воды из

скважины рекомендуется применение фильтра и устройства очистки воды.

Если уровень жесткости используемой воды менее 8°dF (французские

Посудомоечные машины

градусы жесткости воды), то использовать соль в посудомоечной машине не требуется. В таком случае на панели прибора будет постоянно светиться индикатор отсутствия соли (при его наличии).

Если уровень жесткости воды установлен на 1-й уровень, то индикатор отсутствия соли будет светиться постоянно, несмотря на то что использование соли при этом не требуется. Если при этих условиях в емкости будет находиться соль, то она не будет расходоваться, и лампочка не будет светиться.

Предупреждение

Если вы переезжаете на новое место жительства, очень важно откорректировать заданный в приборе уровень жесткости воды в соответствии с условиями на новом месте жительства, что позволит сохранить эффективность мойки посуды.

Если уровень жесткости воды в приборе ранее уже был задан, то отобразится последняя настройка уровня жесткости воды. Задайте новый уровень жесткости воды для прибора в соответствии с уровнем жесткости водопроводной воды.

Добавление соли

Для поддержания неизменно эффективной работы машины следует выполнять восстановление водоумягчительной системы. С этой целью используется соль для посудомоечной машины.

Для данного прибора необходимо применять только специальные смягчающие соли, предназначенные для использования в посудомоечных машинах.

Рекомендуется применять гранулированные или порошковые смягчающие соли. Не используйте в приборе соли, содержащие нерастворимые примеси, например, обычную поваренную соль. Эффективность водоумягчительной системы может со временем ухудшаться.

При запуске программы емкость для соли заполняется водой. Поэтому смягчающую соль следует добавлять перед пуском прибора.

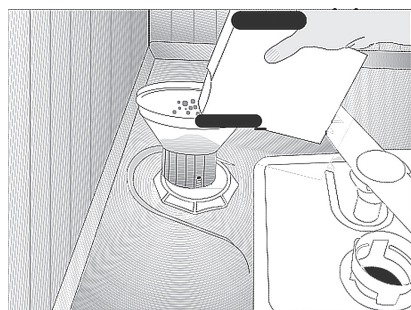
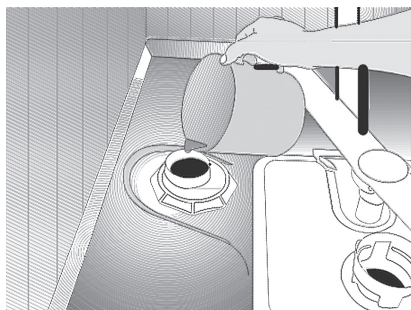
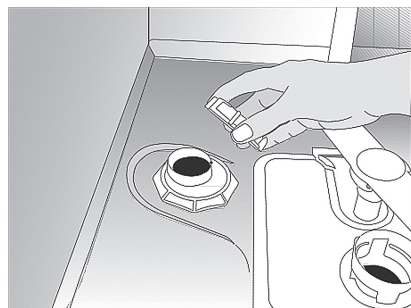
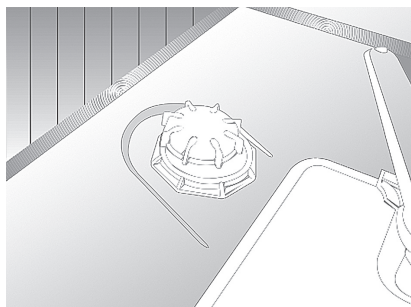
1. Чтобы добавить смягчающую соль, сначала извлеките нижнюю корзину.
2. Поверните крышку емкости для соли против часовой стрелки, чтобы открыть ее.

Перед первым пуском прибора залейте в водоумягчительную систему 1 литр воды.

3. Засыпьте в емкость соль, используя для этого специальную воронку. Чтобы ускорить растворение соли в воде, помешайте ее ложкой.

В емкость помещается примерно 2 кг смягчающей соли.

4. После заполнения емкости поместите крышку на место и плотно закрутите.



5. Если программу мойки посуды не планируется запускать сразу же после добавления соли, то следует запустить самую короткую программу без посуды – это позволит растворить и вымыть просыпавшуюся в приборе соль.

Поскольку представленные на рынке торговые марки соли имеют различные размеры частиц, а также в связи с различиями в жесткости воды, растворение соли в воде может занимать до двух часов. По этой причине индикатор отсутствия соли может гореть еще некоторое время после добавления соли в прибор.

Моющее средство

В прибор может добавляться порошковое или таблетированное моющее средство.

В данном приборе необходимо применять только моющие средства, предназначенные для посудомоечных машин. Не рекомендуется использовать моющие средства, содержащие хлор и фосфат, поскольку они наносят вред окружающей среде.

Обратитесь к изготовителю моющего средства, если после окончания программы мойки посуда остается влажной и/или если остаются пятна накипи, в частности, на стеклянной посуде.

Добавление моющего средства

Чтобы определить необходимое количество моющего средства для

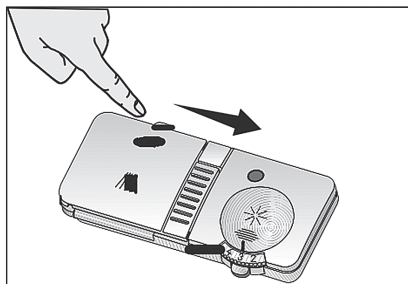
Посудомоечные машины

выбранной программы, воспользуйтесь «Таблицей программ».

Не допускается заливать растворители в дозатор моющего средства. Это может привести к взрыву!

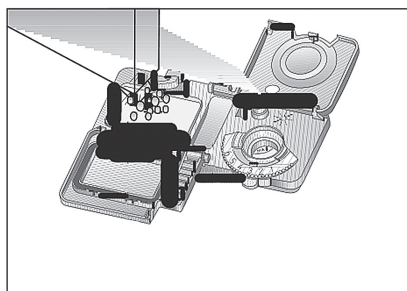
Моющее средство следует добавлять в дозатор непосредственно перед включением прибора, руководствуясь приведенным ниже рисунком.

1. Нажмите на защелку, сместите ее вправо и откройте крышку дозатора моющего средства.



2. Поместите в дозатор требуемое количество порошкового или таблетированного моющего средства.

В дозаторе моющего средства имеются отметки уровней, которые помогают определить необходимое количество моющего средства. Заполненный до краев дозатор вмещает в себя 40 см³ моющего средства. Добавьте в дозатор моющее средство до отметок 15 или 25 см³, в зависимости от заполненности прибора и/или степени загрязненности посуды.



Если прошло длительное время после использования посуды и на ней имеются засохшие загрязнения, наполните также отделение объемом 5 см³.

3. Легким нажатием закройте крышку дозатора моющего средства. При закрытии крышки раздастся характерный щелчок.

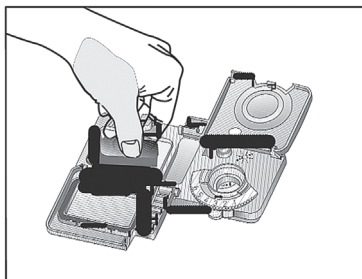
Перед запуском программы с предварительной мойкой и высокой температурой, в которых используются таблетированные моющие средства, следует проверять, что крышка дозатора моющего средства плотно закрыта.

В коротких программах без предварительной мойки следует использовать порошковое моющее средство, поскольку растворимость таблетированного моющего средства зависит от температуры и требует определенного времени.

Использование чрезмерного количества порошкового моющего средства приводит к его неполному растворению, а также появлению царапин на стеклянной посуде.

Таблетированные моющие средства

Таблетированные моющие средства, помимо мойки, обеспечивают также умягчение воды и/или действуют как ополаскиватель. Некоторые типы моющих средств также содержат моющие химические вещества специального назначения, например, служащие для защиты стекла и нержавеющей стали.



Таблетированные моющие средства обеспечивают удовлетворительное качество мойки только при соблюдении определенных условий их применения. Наилучшее качество мойки в посудомоечных машинах достигается при раздельном применении моющего средства, ополаскивателя и соли для смягчения воды.

Информация о том, в какие контейнеры посудомоечной машины (дозатор моющего средства, корзина и т.д.) следует помещать таблетки, содержится в инструкциях по применению, приводимых на упаковках таблетированных моющих средств.

Типы представленных на рынке таблетированных моющих средств:

2 в 1: содержат моющее средство, ополаскиватель или соль для умягчения воды

3 в 1: содержат моющее средство, ополаскиватель и соль для умягчения воды

4 в 1: в дополнение к моющему средству, ополаскивателю и соли для умягчения воды содержат добавки для защиты стекла

5 в 1: в дополнение к моющему средству, ополаскивателю и соли для смягчения воды содержат добавки для защиты стекла и нержавеющей стали

При использовании таблетированных моющих средств выполняйте требования инструкции изготовителя, приводимой на упаковке.

При переходе с таблетированного моющего средства на порошковое необходимо учитывать следующие указания:

1. Убедитесь в том, что емкости для соли и ополаскивателя наполнены.
2. Задайте максимальный уровень жесткости воды и выполните полный цикл мойки без посуды.
3. По окончании цикла мойки без посуды задайте уровень жесткости воды согласно указаниям инструкции по эксплуатации и с учетом свойств используемой воды.
4. Задайте соответствующие настройки для ополаскивателя.

Посудомоечные машины

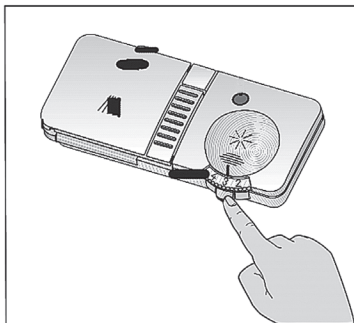
В некоторых моделях индикатор соли и/или индикатор ополаскивателя должны быть снова включены, если они не использовались ранее.

Ополаскиватель

Ополаскиватель, используемый в посудомоечных машинах, имеет специальный состав, обеспечивающий повышение эффективности сушки и предотвращение образования пятен от воды или накипи на посуде. По этой причине необходимо тщательно следить за наличием ополаскивателя в емкости для ополаскивателя и использовать только средства для ополаскивания, предназначенные для посудомоечных машин.

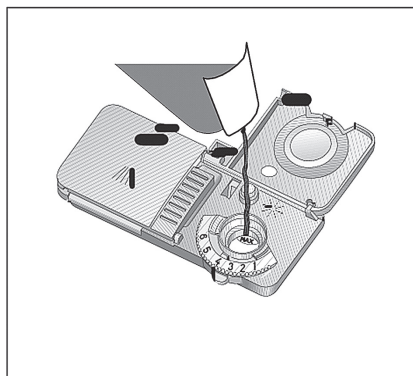
Проверьте состояние индикатора ополаскивателя, чтобы определить, требуется ли добавлять ополаскиватель 3 (в некоторых моделях). Темный индикатор указывает на то, что в дозаторе имеется достаточное количество ополаскивателя. Если индикатор светлый, следует добавить ополаскиватель.

1. Откройте крышку емкости для ополаскивателя,



2. Заполните емкость до уровня MAX.
3. Легким нажатием закройте крышку.

Насухо вытрите весь пролившийся ополаскиватель. Случайно пролившийся из емкости ополаскиватель может привести к образованию пены и тем самым ухудшить качество мойки посуды.



4. Вручную поверните регулятор количества ополаскивателя, установив его в положение от 1 до 6. Если после мойки на посуде имеются пятна, следует увеличить уровень, а если после вытирания вручную остаются синие следы, уровень необходимо уменьшить. На заводе регулятор устанавливается в положение 4.

Предметы, непригодные для мойки в посудомоечной машине

↪ В посудомоечной машине запрещается мыть посуду, загрязненную сигаретным пеплом, воском или парафином, полировочными средствами, красящими веществами, химикатами и т.д.

↪ Не допускается мыть в приборе предметы из сплавов железа, поскольку они могут заржаветь или оставить следы на других предметах.

↪ Не допускается мыть в посудомоечной машине столовое серебро и другие столовые приборы с деревянными либо костяными ручками, склеенные предметы или вещи, неустойчивые к воздействию высокой температуры, например, медные и луженые емкости.

После мойки в посудомоечной машине, так же как и в случае ручной мойки, декоративная роспись на фарфоре, а также алюминиевые и серебряные предметы могут изменить цвет либо потускнеть.

Некоторые виды тонкого стекла и хрусталь со временем могут помутнеть. В связи с этим настоятельно рекомендуем вам убедиться в том, что приобретаемая столовая посуда пригодна для мойки в посудомоечной машине.

Размещение посуды в посудомоечной машине

Оптимальное использование посудомоечной машины с точки зрения энергопотребления и качества мойки и сушки возможно только при правильном размещении в ней посуды.

↪ Прежде чем помещать тарелки в прибор, очищайте их от крупных остатков пищи (костей, семян и т.д.).

↪ По возможности тонкие и узкие предметы размещайте в средних отделениях корзин.

↪ В посудомоечной машине имеются две отдельные корзины для размещения посуды. Более загрязненные и крупные предметы следует класть в нижнюю корзину, а мелкие, хрупкие и легкие – в верхнюю.

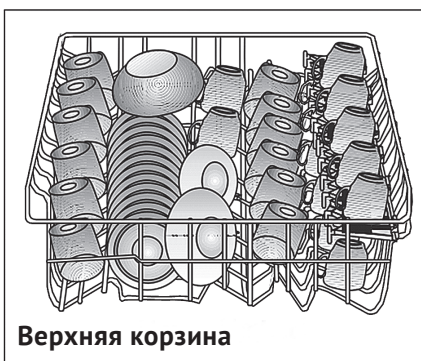
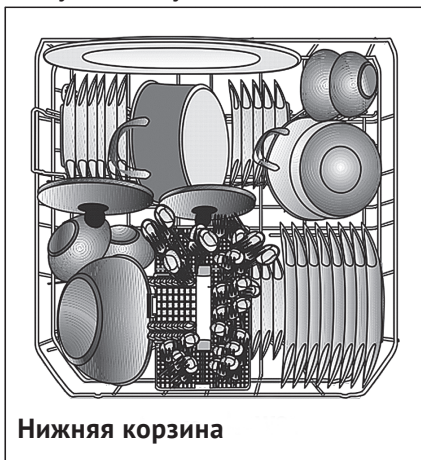
↪ Полые предметы, например, чаши, стаканы и кастрюли, кладите вверх дном. Это позволит предотвратить накопление воды в глубокой посуде.

Чтобы предотвратить возможные травмы, обязательно располагайте острые и колющие предметы, например, столовые вилки, ножи для хлеба и т.д., в перевернутом виде – заостренными краями вниз, либо кладите их горизонтально в корзины для посуды.

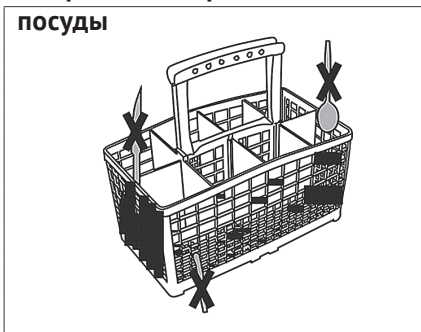
↪ Начинайте разгрузку посуды с нижней корзины, затем переходите к верхней корзине.

Посудомоечные машины

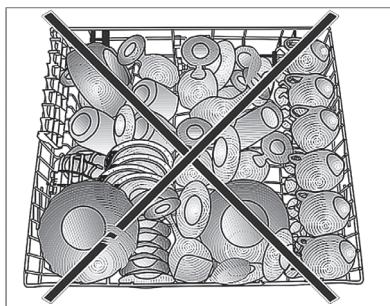
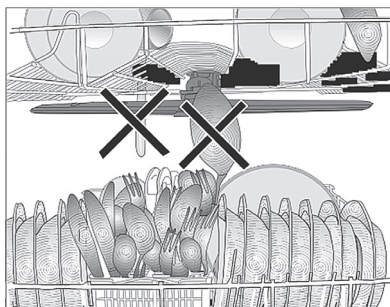
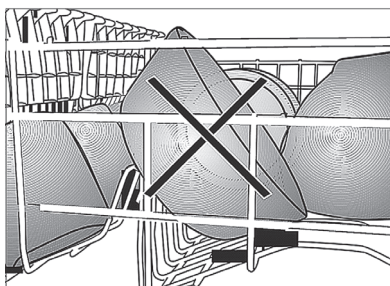
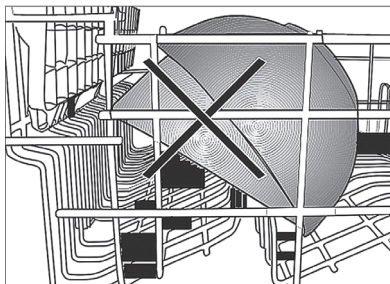
Рекомендации по размещению посуды в посудомоечной машине



Неправильное размещение посуды

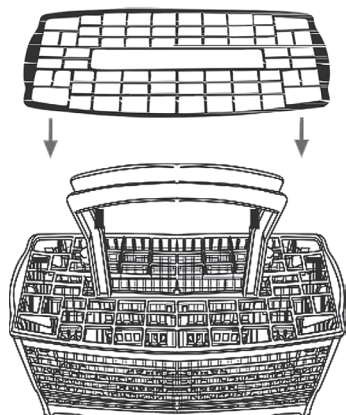


Неправильное размещение посуды



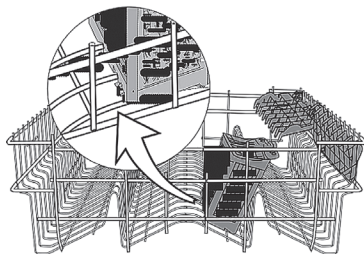
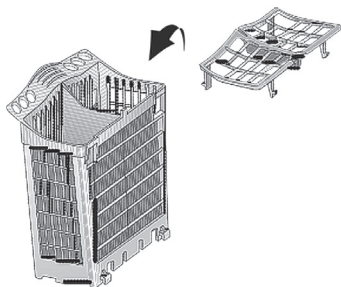
Корзина для столового серебра (в некоторых моделях)

Корзина для столового серебра обеспечивает улучшение качества мойки столовых приборов, например, вилок, ложек и т.д.



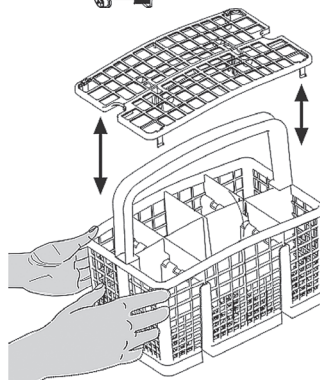
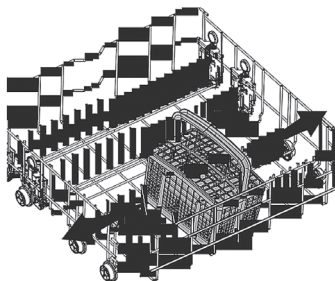
Подставка для столового серебра (в некоторых моделях)

При использовании дополнительной подставки (см. рисунок) вилки, ложки и другие столовые приборы могут быть помещены в верхнюю корзину.



Перемещаемая корзина для столового серебра (в некоторых моделях)

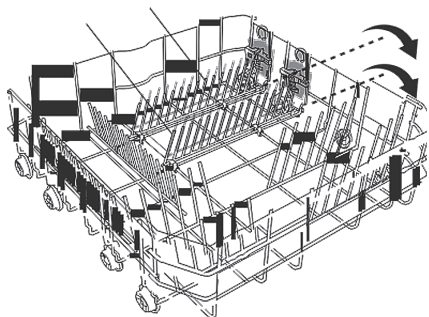
Благодаря тому, что корзина для столовых приборов может быть смещена, вы можете создать более широкое пространство для размещения посуды в нижней корзине и тем самым отрегулировать пространство в зависимости от размеров посуды.



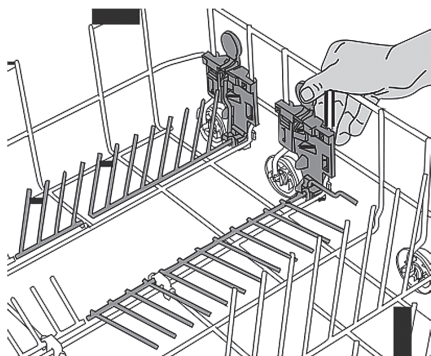
Посудомоечные машины

Две складные решетки нижней корзины (в некоторых моделях)

Две складные решетки, расположенные в нижней корзине прибора, позволяют упростить размещение больших предметов посуды, например, сковород, чаш и т.д.

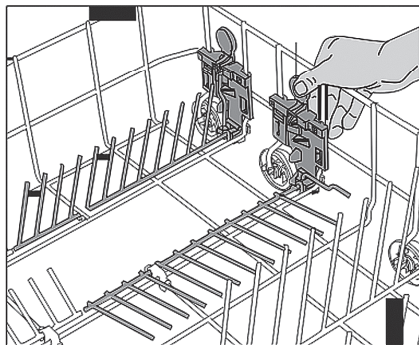
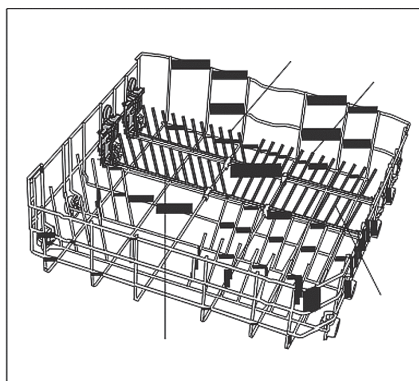


Вы можете освободить место, сложив каждую решетку по отдельности или обе сразу. Для складывания решеток необходимо нажать на защелку.



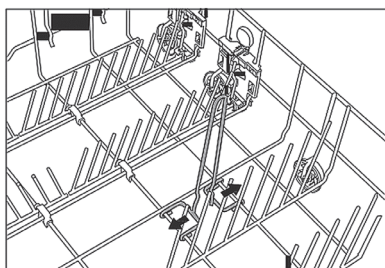
Четыре складные решетки нижней корзины (в некоторых моделях)

Четыре складные решетки, расположенные в нижней корзине прибора, позволяют упростить размещение больших предметов посуды, например, сковород, чаш и т.д.. Вы можете освободить место, сложив каждую решетку по отдельности или все сразу. Для складывания решеток необходимо нажать на защелку.



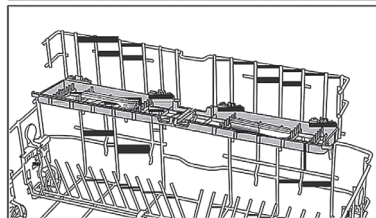
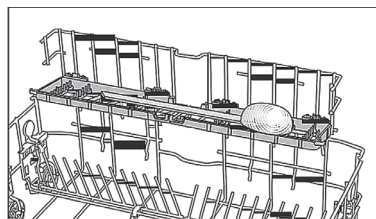
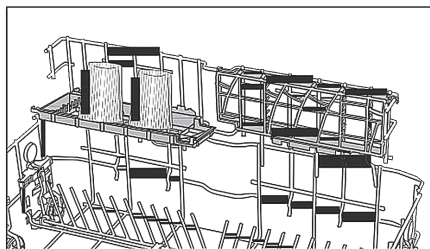
Держатель для бутылок в нижней корзине (в некоторых моделях)

Держатель для бутылок упрощает мойку длинных предметов посуды, имеющих широкое горлышко. Если держатель для бутылок не требуется, он может быть извлечен из корзины, для этого необходимо раздвинуть в стороны нижние его части.



Многоцелевая, регулируемая по высоте, вспомогательная стойка для нижней корзины (в некоторых моделях)

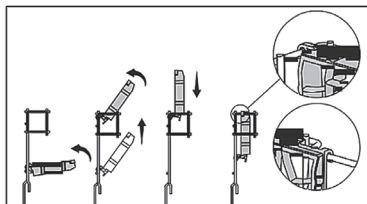
Эта дополнительная принадлежность, устанавливаемая в нижней корзине прибора, позволяет упростить мойку таких предметов посуды, как например, высокие стаканы, длинные ковши и ножи для хлеба.



Чтобы убрать стойку:

1. Поверните ее свободный край вверх.
2. Переместите ее вверх.
3. Переведите ее в вертикальное положение.
4. Сдвиньте ее вниз и зафиксируйте зажимами.

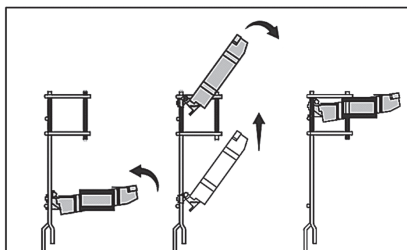
i Чтобы установить стойку в рабочее положение, выполните описанную последовательность действий в обратном порядке.



Регулировка высоты стойки:

1. Поверните свободный край стойки вверх.
2. Переместите ее вверх.
3. После установки на необходимом уровне поверните стойку в горизонтальное положение.

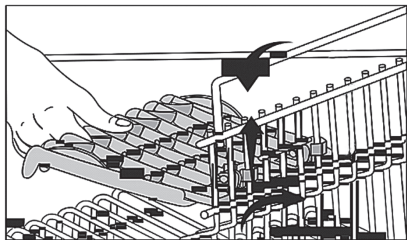
Посудомоечные машины



⚠ Следите за тем, чтобы крыльчатка не соприкасалась с размещаемой на стойке посудой.

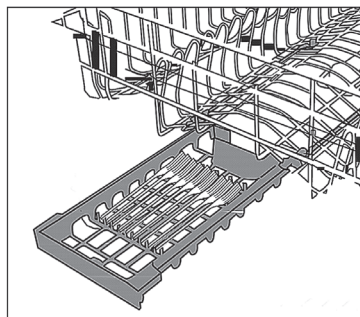
Регулируемая по высоте стойка верхней корзины (в некоторых моделях)

Перемещайте нижнюю и верхнюю части регулируемой по высоте стойки в верхней корзине прибора вверх или вниз в зависимости от высоты стаканов, чашек и другой посуды.



Выдвижное отделение верхней корзины (в некоторых моделях)

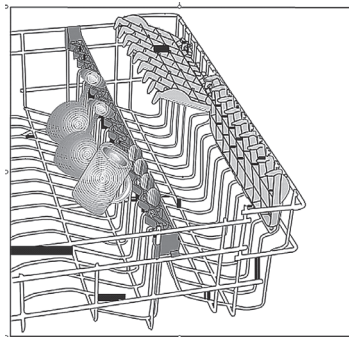
Выдвижное отделение в верхней корзине прибора позволяет размещать дополнительные десертные ложки, небольшие вилки и ножи.

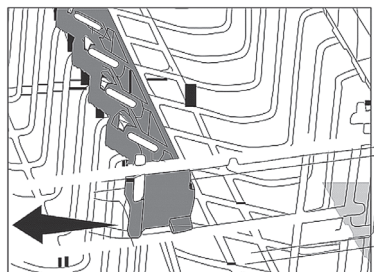


Держатель для бокалов в верхней корзине (в некоторых моделях)

Бокалы и фужеры должны размещаться в посудомоечной машине таким образом, чтобы они не опирались на другую посуду, а только на край корзины или стойку. Высокие стаканы и другая подобная посуда не должны соприкасаться друг с другом, поскольку при случайном перемещении в процессе мойки они могут повредиться.

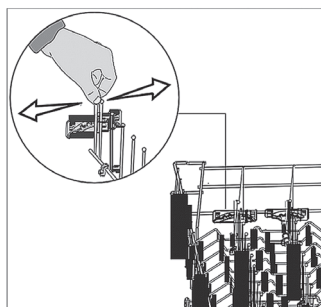
Если в верхней корзине необходимо разместить объемную посуду, отожмите фиксаторы, удерживающие держатель для бокалов в верхней корзине и снимите держатель. Таким образом вы сможете освободить большее пространство для размещения посуды.





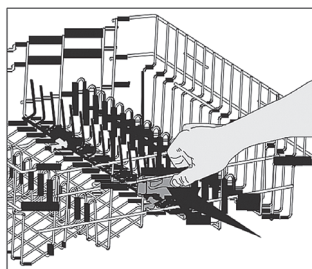
Складные решетки верхней корзины (в некоторых моделях)

В верхней корзине прибора предусмотрены решетки, которые могут быть сложены в случае необходимости освобождения дополнительного пространства для размещения блюд большого размера. Чтобы перевести складную решетку в горизонтальное положение, возьмитесь рукой за звено решетки и наклоните его в направлении или. Теперь в освобожденном пространстве вы можете разместить посуду большего размера. Чтобы установить решетку в вертикальное положение, просто поднимите ее вверх. При этом будет выдан щелчок и складная решетка будет зафиксирована защелкой.

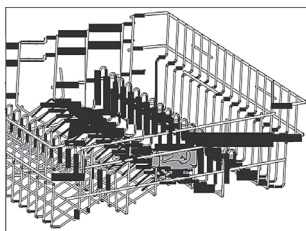


Складные решетки верхней корзины (в некоторых моделях)

Чтобы перевести складную решетку верхней корзины прибора в горизонтальное положение, нажмите на защелку.



Теперь в освобожденном пространстве вы можете разместить посуду большего размера. Чтобы установить решетку в вертикальное положение, просто поднимите ее вверх.

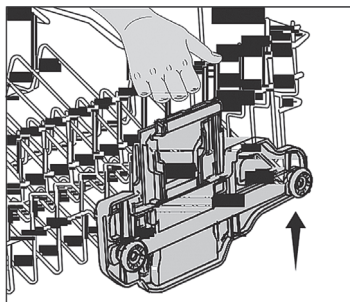


Регулировка высоты загруженной верхней корзины (в некоторых моделях)

Механизм регулировки верхней корзины прибора позволяет освободить необходимое место в верхней или нижней частях прибора путем регулирования высоты загруженной корзины в направлении вверх или вниз, не вынимая при этом корзину из прибора.

Посудомоечные машины

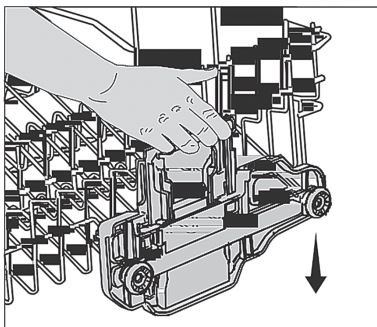
1. Чтобы поднять корзину:
2. Возьмитесь за одну из решеток верхней корзины (правую или левую) и поднимите ее.



2. Повторите эти же действия, чтобы поднять другую сторону корзины.
3. Установите обе стороны механизма регулировки высоты корзины на одном уровне (поднимите или опустите).

Чтобы опустить корзину:

1. Нажмите на защелку на механизме регулировки корзины (справа или слева) и опустите корзину.



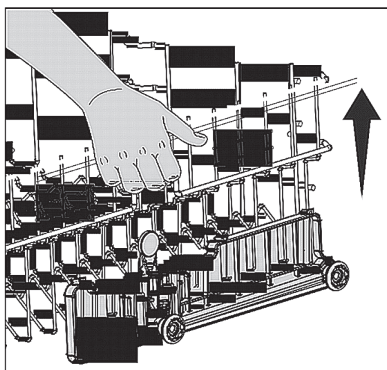
2. Повторите это же действие, чтобы опустить другую сторону корзины.
3. Установите обе стороны механизма регулировки высоты корзины на одном уровне (поднимите или опустите).

Регулировка высоты загруженной верхней корзины (в некоторых моделях)

Механизм регулировки верхней корзины прибора позволяет освободить необходимое место в верхней или нижней частях прибора путем регулирования высоты загруженной корзины в направлении вверх или вниз, не вынимая при этом корзину из прибора.

Чтобы поднять корзину:

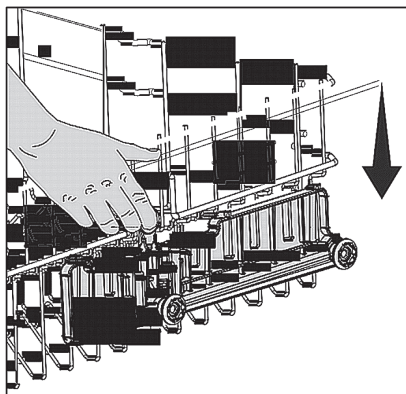
1. Возьмитесь за одну из решеток верхней корзины (правую или левую) и поднимите ее.
2. Повторите эти же действия, чтобы поднять другую сторону корзины.



3. Установите обе стороны механизма регулировки высоты корзины на одном уровне (поднимите или опустите).

Чтобы опустить корзину:

1. Нажмите на защелку на механизме регулировки корзины (справа или слева) и опустите корзину.



2. Повторите это же действие, чтобы опустить другую сторону корзины.

3. Установите обе стороны механизма регулировки высоты корзины на одном уровне (поднимите или опустите).

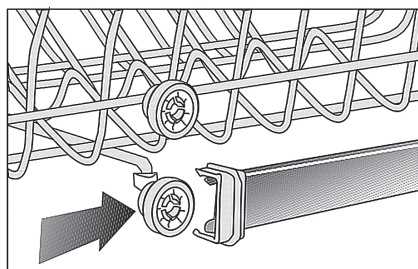
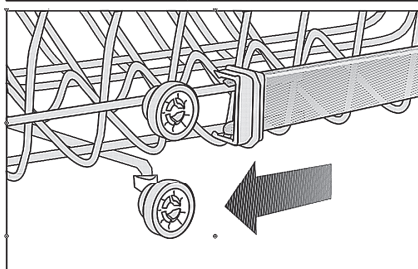
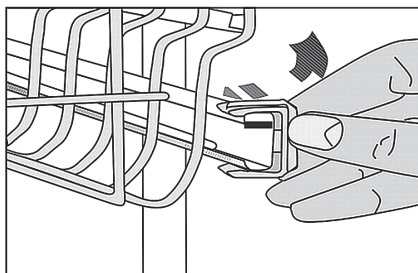
Регулировка высоты пустой верхней корзины (в некоторых моделях)

Вы можете отрегулировать высоту верхней корзины в соответствии с размером посуды, которую необходимо вымыть. Для установки корзины на другую высоту воспользуйтесь роликами.

1. Разожмите фиксаторы на концах направляющих верхней корзины, повернув их в стороны.

2. Извлеките корзину.

3. Измените положение роликов, установите корзину на направляющие и закройте фиксаторы.

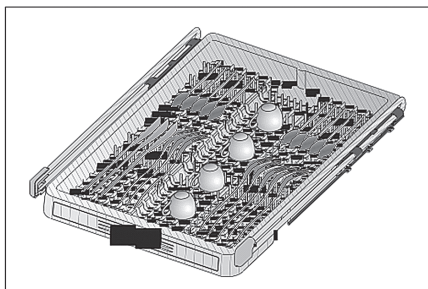


Верхняя корзина для столового серебра

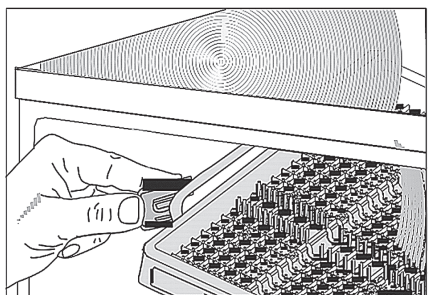
Верхняя корзина для столового серебра предназначена для разме-

Посудомоечные машины

щения небольших предметов посуды, а также предметов, которые из-за слишком большой длины не помещаются в нижнюю корзину для столового серебра.



Эта корзина может быть легко извлечена из прибора вместе с посудой после окончания процесса мойки. Размеры этой корзины соответствуют стандартным размерам выдвижных ящиков, поэтому она может быть помещена в кухонный гарнитур вместо ящика. Поэтому нет необходимости в перекладывании посуды из корзины в ящик.



Извлечение и установка корзины для столового серебра:

1. Потяните корзину на себя.
2. Отодвиньте каждый колпачок направляющей в сторону, потяните его на себя и снимите.

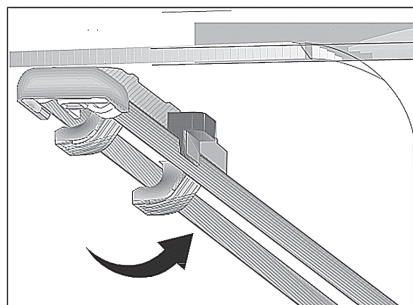
3. Поднимите корзину и извлеките ее из прибора.

4. Потяните несущую часть на себя и снимите с направляющих.

5. Установите колпачки на место и вставьте направляющие обратно.

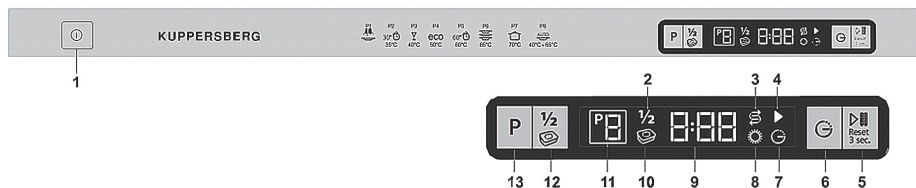
6. Отодвиньте каждую направляющую внутри прибора в сторону и плотно зафиксируйте.

Чтобы установить корзину для столового серебра на место, выполните процесс извлечения в обратном порядке.





5. ВЫБОР ПРОГРАММЫ И УПРАВЛЕНИЕ ПРИБОРОМ



1. Кнопка ВКЛ/ОТКЛ
2. Индикатор половинной загрузки
3. Индикатор отсутствия соли
4. Индикатор Пуск/Пауза/Отмена
5. Кнопка Пуск/Пауза/Отмена
6. Кнопка отложенного запуска
7. Индикатор отложенного запуска
8. Индикатор уровня ополаскивателя
9. Индикатор времени отложенного запуска / времени, оставшегося до окончания программы
10. Индикатор мощющего средства
11. Индикатор
12. Кнопка половинной загрузки / таблетированного мощющего средства
13. Кнопка выбора программы

Описание кнопок

Кнопка ВКЛ/ОТКЛ (1)

При нажатии кнопки ВКЛ/ОТКЛ на дисплее загорается индикатор, соответствующий положению ВКЛ (ON). При переключении прибора в положение ОТКЛ индикаторы гаснут.



Индикатор уровня соли (3)

При загорании этого индикатора следует добавить в соответствующую емкость специальную соль (если используется).

В приборах без электрического индикатора соли ее количество может быть определено визуально по состоянию индикатора на емкости. Если визуальный индикатор заполнения темный, это означает, что в емкости достаточное количество соли.

Посудомоечные машины

Если индикатор светлый, следует открыть емкость и добавить в нее специальную соль.

Индикатор уровня ополаскивателя (8)

При загорании этого индикатора следует добавить в соответствующую емкость ополаскиватель (если используется).

Кроме того, количество ополаскивателя может быть определено визуально по состоянию индикатора на дозаторе. Если визуальный индикатор заполнения темный, это означает, что в дозаторе достаточное количество ополаскивателя.

Если индикатор светлый, следует открыть дозатор и добавить в него ополаскиватель.

Кнопка выбора программы (13)

Описание программ мойки приведено в «Таблице параметров программы и среднего расхода препаратов».

Подберите по этой таблице подходящую программу мойки посуды, а затем выберите ее с помощью кнопки выбора программы.

Кнопка половинной загрузки / таблетированного моющего средства (12)

Кнопка половинной загрузки / таблетированного моющего средства позволяет включать и отключать режим половинной загрузки машины и режим использования таблетированного моющего средства.

Режим половинной загрузки (2)

Если необходимо выполнить пуск прибора при неполной загрузке, поместите в него посуду. Нажмите кнопку ВКЛ/ОТКЛ, чтобы включить прибор. Выберите необходимую программу и нажимайте кнопку половинной загрузки / таблетированного моющего средства, пока не загорится индикатор половинной загрузки, затем нажмите кнопку Пуск/Пауза/Отмена и закройте дверцу прибора. Использование режима половинной загрузки позволяет сократить расход воды и электроэнергии. В этом режиме возможна загрузка посуды в любое место нижней и верхней корзины.

Режим таблетированного моющего средства


Использование режима таблетированного моющего средства позволяет повысить качество сушки при применении многоцелевых (универсальных) моющих средств, таких как «2 в 1», «3 в 1», «4 в 1», «5 в 1» и т.п. (с учетом уровня жесткости водопроводной воды). При включении режима таблетированного моющего средства загорается индикатор таблетированного моющего средства.

При использовании этого режима индикаторы отсутствия соли и отсутствия ополаскивателя отключаются.

Чтобы использовать режим таблетированного моющего средства, включите прибор кнопкой ВКЛ/ ОТКЛ.

Выберите необходимую программу и нажимайте кнопку половинной загрузки / таблетированного моющего средства, пока не загорится индикатор половинной загрузки, затем нажмите кнопку Пуск/Пауза/Отмена и закройте дверцу прибора.

Чтобы одновременно использовать режим половинной загрузки и режим таблетированного моющего средства включите машину нажатием кнопки ВКЛ/ОТКЛ и удерживайте в нажатом состоянии кнопку половинной загрузки / таблетированного моющего средства, пока не загорятся оба индикатора: половинной загрузки и таблетированного моющего средства.

 Если в программе, которая выполнялась последней, использовался режим половинной загрузки или таблетированного моющего средства, при выборе следующей программы эта настройка сохраняется. Чтобы отключить эти режимы в новой программе, нажимайте кнопку половинной загрузки / таблетированного моющего средства до тех пор, пока не погаснет соответствующий индикатор.

Изменение громкости предупредительного звукового сигнала

Нажмите кнопку половинной загрузки / таблетированного моющего средства и не отпускайте ее примерно 5 секунд, пока на дисплее не появится надпись S:03. При каждом на-


жатию кнопки половинной загрузки / таблетированного моющего средства громкость предупредительного звукового сигнала изменяется в следующей последовательности: звук отключен, S:01 – тихий, S:02 – средний и S:03 – громкий. Чтобы сохранить настройку громкости, отключите прибор кнопкой ВКЛ/ОТКЛ. Заводская настройка уровня громкости сигнала – S:03.

Отложенный запуск (6)

С помощью кнопки отложенного запуска запуск программы может быть отсрочен на заданное время – до 9 часов с интервалом в 30 минут. Задайте время отсрочки запуска, нажмите кнопку Пуск/Пауза/Отмена и закройте дверцу прибора. После завершения отсчета времени отсрочки автоматически запускается выполнение выбранной программы.

Кнопка Пуск/Пауза/Отмена (5)

При нажатии кнопки Пуск/Пауза/Отмена начинается выполнение выбранной программы мойки (в режиме пуска индикатор Пуск/ Пауза/Отмена светится, а в режиме паузы – гаснет).

 После включения прибора кнопкой ВКЛ/ОТКЛ подождите две секунды, прежде чем нажимать кнопку Пуск/Пауза/Отмена.

Посудомоечные машины

Отмена программы

Чтобы отменить выбранную программу, откройте дверцу работающего прибора.

! При открывании дверцы проявляйте осторожность, чтобы не обжечься паром.

Нажмите кнопку Пуск/Пауза/Отмена и не отпускайте ее примерно 3 секунды. После того как индикатор Пуск/Пауза/Отмена начнет мигать, отпустите кнопку. После закрывания дверцы в течение 2 минут выполняется откачка воды из прибора, по окончании которой выдается предупредительный звуковой сигнал.

⚠ Внутри прибора и на посуде могут быть остатки моющего средства или ополаскивателя в зависимости от этапа, на котором находилась программа в момент ее отмены.

Изменение программы

Чтобы изменить выбранную программу, откройте дверцу работающего прибора.

! При открывании дверцы проявляйте осторожность, чтобы не обжечься паром.

Чтобы изменить программу после ее запуска, выполните следующие действия:

1. Нажмите кнопку Пуск/Пауза/Отмена, чтобы переключить прибор в режим Паузы.

2. Выберите необходимую программу с помощью кнопки выбора программы.

3. Запустите новую программу, еще раз нажав кнопку Пуск/Пауза/Отмена.

i Выполнение новой программы начнется с того этапа, на котором была прервана предыдущая программа. Например, если в предыдущей программе выполнялась сушка, новая программа тоже начнется с цикла сушки.

i Если необходимо выполнить запуск новой программы с самого начала, следует сначала отменить выполняемую программу, а затем выбрать новую.

Пуск прибора

➤ Откройте водопроводный кран.
➤ Вставьте вилку кабеля питания в розетку электросети.

➤ Откройте дверцу посудомоечной машины.

➤ Разместите посуду, следуя указаниям инструкции по эксплуатации.

➤ Проверьте, свободно ли вращаются верхняя и нижняя крыльчатки.

➤ Загрузите в дозатор необходимое количество моющего средства и закройте крышку.

➤ Включите машину кнопкой ВКЛ/ОТКЛ и убедитесь в том, что индикаторы на дисплее программы светятся.

➤ Проверьте состояние индикаторов отсутствия соли и ополаскивателя. Если необходимо, добавьте соль и (или) ополаскиватель.

⚠ Поскольку представленные на рынке торговые марки соли имеют различные размеры частиц, а также в связи с различиями в жесткости воды растворение соли в воде может занимать до двух часов.

По этой причине индикатор отсутствия соли может гореть еще некоторое время после добавления соли в прибор.

⇒ Если необходимо, может быть включен режим половинной загрузки /таблетированного моющего средства и задана отсрочка запуска.

⇒ Описание программ приведено в «Таблице параметров программ и среднего расхода препаратов».

⇒ Подберите по этой таблице подходящую программу мойки посуды, а затем выберите ее с помощью кнопки выбора программы.

⇒ Запустите программу, нажав кнопку Пуск/Пауза/Отмена.

⚠ Не открывайте дверцу во время работы прибора.

Если открыть дверцу, система безопасности остановит прибор. Проявляйте осторожность! При открытии дверцы может произойти выброс пара. После закрытия дверцы выполнение программы возобновится.

⇒ По окончании выполнения выбранной программы выдаются предупредительные звуковые сигналы с интервалом 8 секунд, напоминающие о том, что прибор необходимо отключить. Звуковые сигналы повторяются 10 раз.

⇒ Откройте дверцу посудомоечной машины.

⇒ Нажмите кнопку ВКЛ/ОТКЛ, чтобы отключить прибор.


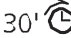






⇒ Индикаторы на дисплее программы погаснут.

⇒ Закройте водопроводный кран.

⇒ Отсоедините кабель питания прибора от розетки электросети.

⚠ После окончания мойки оставьте посуду в приборе примерно на 15 минут, чтобы она остыла. Если приоткрыть дверцу, посуда высохнет за более короткое время. Также при этом возрастет эффективность сушки.

Посудомоечные машины

| Таблица с описанием параметров программ | | | | | | | | |
|--|---|--|--|--|--|--|--|--|
| Название режима | 1 | 2 | 3 | 4 стандартная* | 5 | 6 | 7 | 8 |
| Programme name |  Предварительная мойка |  30 мин |  Деликатный режим |  eco |  60 мин |  Ежедневная мойка |  Интенсивный режим |  Автоматический режим |
| Рабочая температура | - | 35°C | 40°C | 50°C | 60°C | 65°C | 70°C | 40°C-65°C |
| Степень загрязнения | Предназначается для удаления остатков пищи с загрязненной посуды, которая будет храниться в приборе в течение нескольких дней, благодаря чему предотвращает возникновение неприятного запаха. | Предназначается для несильно загрязненной посуды ежедневного использования, с которой предварительно удалены остатки пищи или которая была предварительно очищена. | Предназначается для мойки посуды, которая не была предварительно очищена и которая моется сразу же после использования. | Наиболее экономичная программа для мойки среднезагрязненной посуды ежедневного использования, которая хранится в приборе в течение некоторого времени. | Программа ежедневной мойки, при которой среднезагрязненная посуда, которая хранится в приборе в течение некоторого времени, очищается наиболее быстрым способом. | Предназначается для мойки кастрюль, сковород и другой сильнозагрязненной посуды. | Подходит для мойки посуды, которая требует дополнительной гигиенической обработки, например, посуда для детей. Также может использоваться для мойки сильнозагрязненной посуды. | Автоматически определяет степень загрязнения посуды и задает температуру, количество воды, а также длительность процесса мойки. Может использоваться для мойки посуды любого типа. |
| | - | Слабая | Слабая | Средняя | Средняя | Высокая | Высокая | От средней до высокой |
| Моющие средства A=25 см ³ /15 см ³ B=5 см ³ | - | A | A | A+B | A+B | A+B | A+B | A |
| Структура программы (без опций) | Предварительная мойка ▼ Конец | Мойка ▼ Ополаскивание холодной водой ▼ Ополаскивание горячей водой ▼ Конец | Предварительная мойка ▼ Мойка ▼ Ополаскивание холодной водой ▼ Ополаскивание горячей водой ▼ Сушка ▼ Конец | Предварительная мойка ▼ Мойка ▼ Ополаскивание холодной водой ▼ Ополаскивание горячей водой ▼ Сушка ▼ Конец | Мойка ▼ Ополаскивание холодной водой ▼ Ополаскивание горячей водой ▼ Сушка ▼ Конец | Предварительная мойка ▼ Мойка ▼ Ополаскивание холодной водой ▼ Ополаскивание горячей водой ▼ Сушка ▼ Конец | Предварительная мойка ▼ Мойка ▼ Ополаскивание холодной водой ▼ Ополаскивание горячей водой ▼ Сушка ▼ Конец | Структура программы зависит от объема загрязнения |
| Длительность (мин) | 15 | 30 | 71 | 163 | 60 | 136 | 124 | 78-156 |
| Расход воды (л) | 4 | 10,2 | 13,2 | 13 | 10,2 | 14,8 | 17,8 | 10,4-14,0 |
| Расход энергии (кВтч) | - | 0,75 | 0,9 | 1,05 | 1,24 | 1,45 | 1,97 | 0,90-1,45 |

Приведенные в таблице данные по расходу воды и энергии определены при стандартных условиях. Возможны отличия в зависимости от конкретных условий эксплуатации.

* Стандартная программа для организаций, выполняющих испытания. Испытания в соответствии со стандартом EN 50242 должны проводиться при полностью заполненном дозаторе соли для умягчения воды и полностью заполненной емкости для ополаскивателя и с использованием специальной испытательной программы.



6. ОБСЛУЖИВАНИЕ И ЧИСТКА

Регулярное выполнение чистки обеспечивает увеличение срока службы изделия и уменьшение количества его отказов.

Перед проведением чистки отсоедините прибор от электросети и перекройте кран подачи воды.

Не используйте для чистки абразивные средства.

Чистку фильтров и крыльчаток проводите не реже одного раза в неделю.

Чистка внешней поверхности прибора

Аккуратно выполняйте чистку внешней поверхности и прокладок дверцы прибора с использованием мягкого чистящего средства и влажной ткани. Протирайте панель управления только влажной тканью.

Чистка внутренних частей машины

⇒ Для очистки внутренней части прибора и бака запустите программу предварительной мойки без моющего средства или длительную программу мойки с моющим средством, исходя из степени загрязнения прибора.

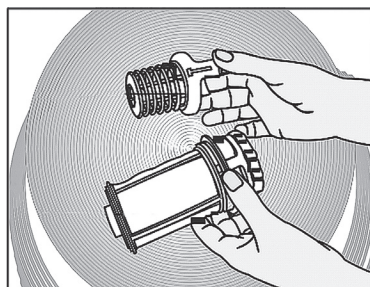
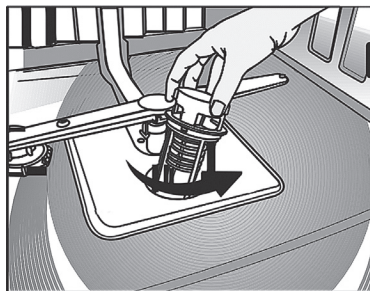
⇒ Если в приборе осталась вода, слейте ее, выполнив действия, описанные в разделе «Отмена программы». Если слить воду не удается, следует удалить отложения, которые скопились на дне прибора и препятствуют свободному прохождению воды.

Чистка фильтров

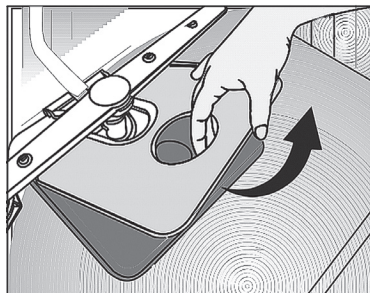
Для обеспечения эффективной работы прибора чистку фильтров следует проводить не реже одного раза в

неделю. Регулярно контролируйте состояние фильтров. При обнаружении на фильтрах остатков пищи извлеките фильтры и тщательно промойте под струей воды.

1. Поверните блок микрофильтра и фильтра грубой очистки против часовой стрелки и извлеките его из гнезда .

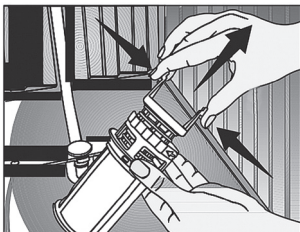


2. Извлеките металлический/пластиковый фильтр (1) (B).



Посудомоечные машины

3. Нажмите на две защепки на фильтре грубой очистки и отсоедините его от блока.



4. Очистите все три фильтра щеткой под струей воды.

5. Установите на место металлический/пластиковый фильтр.

6. Вставьте фильтр грубой очистки в микрофильтр. Убедитесь в том, что он плотно установлен. Поверните фильтр грубой очистки по часовой стрелке до щелчка.

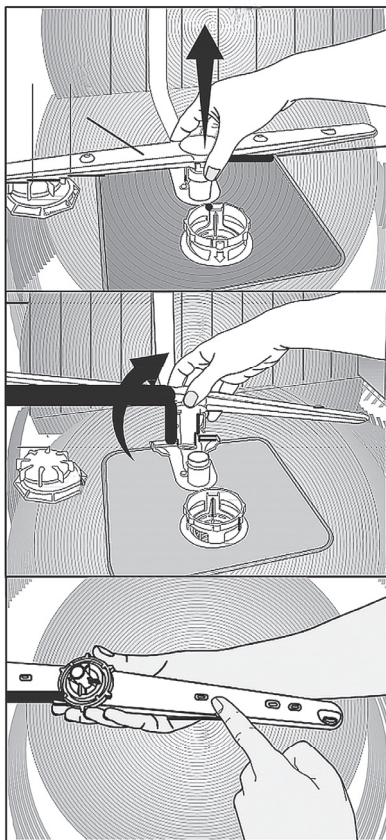
Не допускается использовать посудомоечную машину без фильтра.

Неправильная установка фильтров снижает эффективность работы прибора.

Чистка фильтра шланга

Повреждения машины, обусловленные наличием загрязнений (песок, грязь, ржавчина и т.д.), поступающих из городского водопровода или автономной системы водоснабжения, могут быть предотвращены путем установки фильтра в линию подачи воды. Регулярно проверяйте состояние фильтра и шланга и, если необходимо, проводите их чистку.

1. Закройте кран и снимите шланг.
2. Извлеките фильтр и промойте его под струей воды.
3. Установите очищенный фильтр в линию подачи воды.
4. Подсоедините шланг к крану.



Чистка крыльчаток

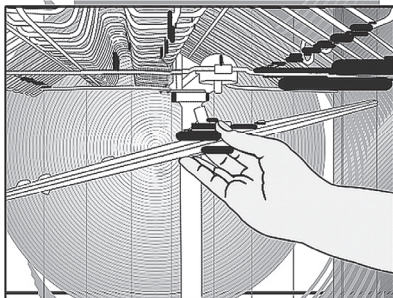
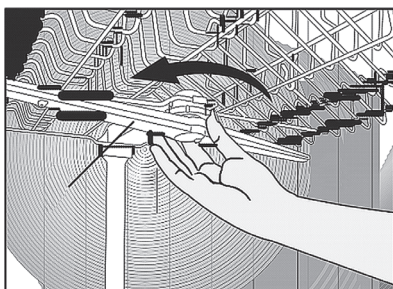
Для обеспечения эффективной работы прибора чистку крыльчаток следует проводить не реже одного раза в неделю.

Нижняя крыльчатка

Проверьте состояние отверстий нижней крыльчатки на предмет засорения. В случае закупорки извлеките и очистите крыльчатку. Чтобы извлечь нижнюю крыльчатку, потяните ее вверх.

Верхняя крыльчатка

Проверьте состояние отверстий верхней крыльчатки на предмет засорения. В случае закупорки извлеките и очистите крыльчатку. Чтобы снять верхнюю крыльчатку, поверните ее гайку против часовой стрелки. Устанавливая верхнюю крыльчатку на место, убедитесь в том, что гайка плотно затянута.

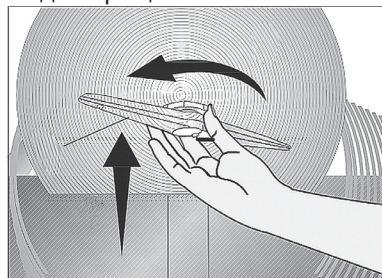


Крыльчатка верхней панели

Проверьте состояние отверстий крыльчатки верхней панели (3) на предмет засорения. В случае закупорки извлеките и очистите крыльчатку.

Чтобы снять крыльчатку, аккуратно надавите на нее снизу (E) и затем поверните ее по часовой стрелке (F).

Чтобы установить крыльчатку, вставьте ее в отверстие, аккуратно надавите на нее снизу и поверните против часовой стрелки, надежно зафиксировав ее. После установки крыльчатки убедитесь в том, что она свободно вращается.



7. ПОИСК И УСТРАНЕНИЕ НЕИСПРАВНОСТЕЙ

Не производится пуск прибора.

↻ Кабель питания отсоединен от сети. >>> Проверьте, подсоединен ли кабель питания прибора к электросети.

↻ Перегорел предохранитель. >>> Проверьте состояние предохранителей в электросети.

↻ Перекрыта подача воды. >>> Убедитесь в том, что кран подачи воды открыт.

↻ Дверца прибора открыта. >>> Убедитесь в том, что дверца прибора закрыта.

↻ Кнопка ВКЛ/ОТКЛ не нажата. >>> Убедитесь в том, что кнопка ВКЛ/ОТКЛ нажата и прибор включен.

Неудовлетворительное качество мытья посуды

↻ Посуда расположена на в машине неправильно. >>> Разместите посуду, сле-

Посудомоечные машины

дуга указаниям инструкции по эксплуатации.

☞ Выбрана неправильная программа. >>> Выберите программу с более высокой температурой и большей длительностью.

☞ Зabloкировано вращение крыльчаток. >>> Перед тем как запустить программу, проверьте, свободно ли вращаются нижняя и верхняя крыльчатки. Для этого поверните их вручную.

☞ Засорены отверстия крыльчатки. >>> Отверстия нижней и верхней крыльчатки могут быть забиты остатками пищи, например, лимонными косточками. Регулярно выполняйте чистку крыльчаток, как показано в разделе «Чистка и уход».

☞ Засорены фильтры. >>> Проверьте уровень загрязнения фильтрующей системы. Регулярно выполняйте чистку фильтрующей системы, как показано в разделе «Чистка и уход».

☞ Фильтры установлены неправильно. >>> Проверьте, правильно ли установлены компоненты фильтрующей системы.

☞ Корзины перегружены. >>> Не превышайте допустимую загрузку корзины.

☞ Моющее средство хранилось в недопустимых условиях. >>> Не храните используемые для мойки порошкообразные средства во влажном месте. По возможности, храните их в закрытой таре. Рекомендуется использовать таблетированные средства для мойки, которые менее чувствительны к воздействию влаги.

☞ Недостаточное количество моющего средства. >>> В случае использования порошкообразного средства для мойки, измените его дозировку в соответствии со степенью загрязнения

посуды и/или параметрами программы. Для обеспечения оптимального качества мойки рекомендуется использовать таблетированные средства.

☞ Недостаточное количество ополаскивателя. >>> Проверьте показания индикатора уровня ополаскивателя и, если необходимо, добавьте ополаскиватель. Если в приборе достаточно ополаскивателя, увеличьте значение параметра настройки расхода.

☞ Не закрыта крышка дозатора моющего средства. >>> После засыпки моющего средства крышка дозатора должна быть обязательно закрыта.

По окончании цикла посуда остается мокрой

☞ Посуда расположена в машине неправильно. >>> Расположите посуду таким образом, чтобы на ней не накапливалась вода.

☞ Недостаточное количество ополаскивателя. >>> Проверьте показания индикатора уровня ополаскивателя и, если необходимо, добавьте ополаскиватель. Если в приборе достаточно ополаскивателя, увеличьте значение параметра настройки расхода.

☞ Выгрузка посуды из прибора производится сразу же после завершения программы. >>> Не выполняйте выгрузку посуды из посудомоечной машины сразу же после окончания мойки. Сначала приоткройте дверцу и немного подождите, чтобы из прибора вышел пар. Начинать доставать посуду после того, как она остынет до такого состояния, чтобы до нее можно было дотронуться. Начинать выгрузку с нижней корзины. Это позволит предотвратить попадание капель воды, оставшейся в посуде в верхней корзине, на посуду в нижней корзине.

☞ Выбрана неправильная программа. >>> Поскольку в коротких программах температура при ополаскивании низкая, то и эффективность сушки невысокая. Для обеспечения более качественной сушки выбирайте более длительные программы.

☞ Низкое качество (наличие повреждений) поверхности кухонной посуды. >>> Необходимый результат мойки кухонной посуды, имеющей повреждения на поверхности, не может быть обеспечен; кроме того, ее не рекомендуется использовать с точки зрения гигиены. Низкое качество поверхности также затрудняет обтекание водой. По этим причинам не рекомендуется мыть такую кухонную посуду в посудомоечной машине.

☞ Некоторые недостатки сушки могут проявляться в отношении кухонной посуды с тефлоновым покрытием; это нормально и связано с особенностями структуры тефлона. Поскольку поверхность натяжения у тефлона и воды различаются, на тефлоновой поверхности будут оставаться небольшие пятна от капель воды.

На посуде остаются пятна от чая, кофе или следы помады.

☞ Выбрана неправильная программа. >>> Выберите программу с более высокой температурой и большей длительностью.

☞ Низкое качество (наличие повреждений) поверхности кухонной посуды. >>> Пятна от чая, кофе и других красящих веществ могут не вымыться в посудомоечной машине в том случае, если вьелись в поврежденную поверхность. Необходимый результат мойки кухонной посуды, имеющей повреждения на поверхности, не может быть

обеспечен; кроме того, ее не рекомендуется использовать с точки зрения гигиены. По этим причинам не рекомендуется мыть такую кухонную посуду в посудомоечной машине.

☞ Моющее средство хранилось в недопустимых условиях. >>> Не храните используемые для мойки порошкообразные средства во влажном месте. По возможности, храните их в закрытой таре. Рекомендуется использовать таблетированные средства для мойки, которые менее чувствительны к воздействию влаги.

На посуде остается известковый налет, а изделия из стекла мутнеют

☞ Недостаточное количество ополаскивателя. >>> Проверьте показания индикатора уровня ополаскивателя и, если необходимо, добавьте ополаскиватель. Если в приборе достаточно ополаскивателя, увеличьте значение параметра настройки расхода.

☞ Низкое значение настройки уровня жесткости воды, или недостаточный уровень соли. >>> Повторно измерьте жесткость водопроводной воды и установите соответствующее значение настройки уровня жесткости воды.

☞ Просыпалась соль. >>> При добавлении соли не допускайте, чтобы она просыпалась мимо загрузочного отверстия. По завершении засыпки соли убедитесь в том, что крышка емкости плотно закрыта. Запустите программу предварительной мойки для удаления соли, просыпавшейся внутрь прибора. Поскольку частицы соли, оставшиеся под крышкой, растворятся в процессе предварительной мойки, то крышка может

Посудомоечные машины

быть ослаблена, поэтому по завершении программы проверьте крышку еще раз.

Наличие постороннего запаха внутри прибора

Новая посудомоечная машина издает специфический запах. После нескольких моек он исчезает.

☞ Засорены фильтры. >>> Проверьте уровень загрязнения фильтрующей системы. Регулярно выполняйте чистку фильтрующей системы, как показано в разделе «Чистка и уход».

☞ Грязная посуда находилась в посудомоечной машине 2–3 дня. >>> Если вы не планируете производить пуск прибора сразу же после загрузки в него посуды, удалите с нее остатки пищи и каждые 2 дня запускайте программу предварительной мойки без моющего средства. Во избежание появления в машине запаха в таких случаях не следует закрывать дверцу машины полностью. Кроме того, вы можете воспользоваться доступными в продаже средствами для удаления запаха или специальными средствами для чистки посудомоечной машины.

Налет ржавчины, обесцвечивание или повреждение поверхности посуды

☞ Просыпалась соль. >>> Соль может вызывать разрушение и окисление металлических поверхностей. При добавлении соли не просыпайте ее мимо загрузочного отверстия. По завершении засыпки соли убедитесь в том, что крышка емкости плотно закрыта. Запустите программу предварительной мойки для удаления соли, просыпавшейся внутрь прибора. Поскольку частицы соли, оставшиеся под крышкой, растворяются в процессе предварительной мойки, то крыш-

ка может быть ослаблена, поэтому по завершении программы проверьте крышку еще раз.

☞ Длительное время на посуде оставались остатки соленой пищи. >>> Если в прибор помещается столовое серебро с остатками такой пищи, то загрязнения следует удалить программой предварительной мойки, или вымыть посуду сразу же, не откладывая.

☞ Электроустановка не заземлена. >>> Проверьте, подключена ли посудомоечная машина к системе заземления. В противном случае, накапливающиеся в посудомоечной машине статические электрические заряды могут приводить к искрению на металлических поверхностях, удалению защитного покрытия и образованию пор, а также обесцвечиванию.

☞ Используются интенсивные чистящие средства, например, отбеливатели. >>> При соприкосновении с такими чистящими средствами, как отбеливатели, защитное покрытие металлических поверхностей повреждается и со временем теряет свои функциональные качества. Не допускается мойка посуды с использованием отбеливателей.

☞ Металлические предметы, например, ножи, используются не по назначению. >>> Защитное покрытие по краям ножей может быть повреждено, если они используются, например, для открывания жестяных банок. Металлические кухонные принадлежности следует применять исключительно по назначению.

☞ Столовые приборы изготовлены из низкокачественной нержавеющей стали. >>> Такая посуда подвержена коррозии, следовательно, ее не допускается мыть в посудомоечной машине.

☞ В посудомоечной машине выполнялась мойка уже корродированных кухонных принадлежностей. >>> Ржавчина с корродированной посуды может попасть на другие поверхности из нержавеющей стали и вызвать их коррозию. Такую посуду не следует мыть в посудомоечной машине.

Моющее средство остается в дозаторе.

☞ При добавлении моющего средства дозатор был влажным. >>> Прежде чем засыпать моющее средство, убедитесь в том, что дозатор полностью сухой.

☞ Моющее средство засыпано за долго до выполнения мойки. >>> Моющее средство следует добавлять незадолго до начала мойки.

☞ В процессе мойки открытие крышки дозатора было затруднено. >>> Располагайте посуду таким образом, чтобы она не мешала открытию крышки дозатора моющего средства и попаданию воды от крыльчаток в прибор.

☞ Моющее средство хранилось в недопустимых условиях. >>> Не храните используемые для мойки порошкообразные средства во влажном месте. По возможности, храните их в закрытой таре. Рекомендуется использовать таблетированные средства для мойки, поскольку они менее чувствительны к воздействию влаги.

☞ Засорены отверстия крыльчатки. >>> Отверстия нижней и верхней крыльчатки могут быть забиты остатками пищи, например, лимонными косточками. Регулярно выполняйте чистку крыльчаток, как показано в разделе «Чистка и уход».

Повреждены (стерты) декоративные элементы и орнаменты на кухонной посуде.

Стеклоянную посуду и фарфоровые изделия, содержащие декоративные элементы, не следует мыть в посудомоечной машине. Изготовители такой стеклянной и фарфоровой посуды не рекомендуют этого делать.

На посуде появились царапины.

Кухонную посуду, содержащую алюминиевые вставки или полностью выполненную из этого материала, не допускается мыть в посудомоечной машине.

☞ Просыпалась соль. >>> При добавлении соли не допускайте, чтобы она просыпалась мимо загрузочного отверстия. Просыпавшаяся соль может приводить к появлению царапин. По завершении засыпки соли убедитесь в том, что крышка емкости плотно закрыта. Запустите программу предварительной мойки для удаления соли, просыпавшейся внутрь прибора. Поскольку частицы соли, оставшиеся под крышкой, растворятся в процессе предварительной мойки, то крышка может быть ослаблена, поэтому по завершении программы проверьте крышку еще раз.

☞ Низкое значение настройки уровня жесткости воды, или недостаточный уровень соли. >>> Повторно измерьте жесткость водопроводной воды и установите соответствующее значение настройки уровня жесткости воды.

☞ Посуда расположена в машине неправильно. >>> Устанавливая стаканы или другую стеклянную посуду в корзину, размещайте их таким образом, чтобы они соприкасались только с краями корзины, стойками или держателями, но не с другой посудой. Удары предметов сте-

Посудомоечные машины

клянной посуды друг о друга либо о другую посуду под действием струй воды в процессе мойки могут привести к разбиванию или появлению царапин на их поверхностях.

На стеклянной посуде остаются загрязнения, напоминающие пятна от молока, при этом они не могут быть удалены протиркой вручную. Если стекло посмотреть на свет, будет заметен синевато-радужный оттенок.

☞ Применяется чрезмерное количество ополаскивателя. >>> Уменьшите настройку ополаскивателя. Удалите ополаскиватель, пролитый при добавлении.

☞ Коррозия стекла из-за мягкой воды. >>> Повторно измерьте жесткость водопроводной воды и установите соответствующее значение настройки уровня жесткости воды. Если вода мягкая (<5 dH), не используйте соль. Выберите программу мытья посуды, имеющую более высокую температуру (например, 60–65 °С). Кроме того, возможно использование доступных в продаже моющих средств, в состав которых входят компоненты для защиты стекла.

В машине образуется пена.

☞ Перед загрузкой в прибор посуда была вымыта вручную моющим средством для ручной мойки, но ее не ополоснули. >>> Моющие средства для ручной мойки не содержат противопеняющих присадок. Перед загрузкой в посудомоечную машину посуду не требуется мыть вручную. Достаточно соскрести под водой из-под крана налипшую на посуду грязь бумажной салфеткой или вилкой.

☞ При добавлении ополаскиватель был пролит внутрь прибора. >>> При добавлении ополаскивателя следите за тем, чтобы он не проливался внутрь прибора. Вытрите пролитый ополаскиватель бумажной салфеткой или полотенцем.

☞ Крышка емкости для ополаскивателя оставлена открытой. >>> По завершении добавления ополаскивателя убедитесь в том, что крышка емкости плотно закрыта.

Кухонная посуда повреждена.

☞ Посуда расположена в машине неправильно. >>> Разместите посуду, следуя указаниям инструкции по эксплуатации.

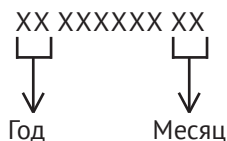
☞ Корзины перегружены. >>> Не превышайте допустимую загрузку корзины.

После завершения программы внутри посудомоечной машины остается вода.

☞ Засорены фильтры. >>> Проверьте уровень загрязнения фильтрующей системы. Регулярно выполняйте чистку фильтрующей системы, как показано в разделе «Чистка и уход».

☞ Сливной шланг забит/засорен. >>> Осмотрите сливной шланг. Если необходимо, отсоедините шланг, устраните засорение и присоедините снова в соответствии с указаниями инструкции по эксплуатации.

Если, следуя указаниям этого раздела, вы не смогли устранить возникшее нарушение, то обратитесь к продавцу или в официальный сервисный центр. Запрещается самостоятельно ремонтировать вышедшее из строя изделие.

**ОПРЕДЕЛЕНИЕ ДАТЫ ПРОИЗВОДСТВА ТОВАРА ПО СЕРИЙНОМУ
НОМЕРУ:****Производители:**

г. Москва, ул. Бутякова, д. 3 у. ö 06935, ,

Уполномоченное изготовителем лицо:


ООО «Эм-Джи Русланд», 141400
г. Химки, ул. Бутаково, д. 4

ООО «Купперсберг-Импорт», 125438,
г. Москва, ул. Автомоторная, д. 7


Сделано в Турции

ООО «КУППЕРСБЕРГ-СЕРВИС»

УСТАНОВКА, ГАРАНТИЙНОЕ И ПОСТГАРАНТИЙНОЕ ОБСЛУЖИВАНИЕ
ПО МОСКВЕ И МОСКОВСКОЙ ОБЛАСТИ

 +7 (495) 236-90-67

Телефон горячей линии Kuppertsberg:

 8 (800) 250-17-18

(Звонки для всех регионов бесплатные).

 Часы работы линии: с 9:00 до 18:00 Пн-Пт

⇒ Полный список авторизованных сервисных центров Kuppertsberg можно найти на официальном сайте компании:

 <http://kuppertsberg.ru>

- ⇒ Данный паспорт технического изделия заменяет гарантийный талон.
 - ⇒ Гарантийный срок исчисляется со дня заключения договора купли-продажи.
 - ⇒ При отсутствии документов, подтверждающих покупку, эти сроки исчисляются со дня изготовления товара (Ст. 19 ЗоЗПП, пункт 2).
-

УСЛОВИЯ ГАРАНТИИ

Настоящие условия гарантии действительны на территории России, если иные условия не установлены действующим законодательством:

1. Изготовитель устанавливает гарантийный срок 2 (два) года со дня передачи Потребителю на следующие виды техники: воздухоочистители, встраиваемую технику. Срок службы бытовой техники «Kuppertsberg» при соблюдении правил эксплуатации и применения ее в бытовых целях составляет 10 (десять) лет.

2. Гарантия распространяется на изделия, использующиеся только для личных, семейных, домашних нужд, а также нужд, не связанных с осуществлением предпринимательской деятельности.

3. Проследите, чтобы гарантийный талон был правильно заполнен, не имел исправлений и в нем были указаны: дата продажи, штамп торговой организации и подпись продавца, модель и серийный номер изделия, дата установки, название и штамп фирмы-установщика.

4. Сохраняйте гарантийный документ, чек на проданное изделие и квитанцию на услуги по его установке (доставке), доработке водяных и электрических внутриквартирных коммуникаций, а также любые другие документы, относящиеся к гарантийному или техническому обслуживанию изделия.

5. Прежде чем вызвать специалиста сервисного центра, внимательно прочитайте инструкцию по эксплуатации изделия. Если изделие исправно, то за сервисным центром остается право требовать от Потребителя оплаты ложного вызова.

6. Любые претензии по качеству изделия рассматриваются только после предварительной проверки качества изделия представителем сервисного центра.

7. Изготовитель не несет какой-либо ответственности за любой возможный ущерб, нанесенный потребителю, в случае несоблюдения последним требований Изготовителя, указанных в данном гарантийном документе и инструкции по эксплуатации.

8. Гарантийный срок на элементы освещения (галогеновые, светодиодные и лампы накаливания) составляет 15 дней со дня продажи прибора.

Гарантия не распространяется на изделия, недостатки в которых возникли вследствие:

1. Несоблюдения требований Изготовителя, указанных в гарантийном документе;
2. Несоблюдения Потребителем правил установки, подключения, эксплуатации, хранения или транспортировки изделия, указанных в инструкции по эксплуатации;
3. Ремонта не уполномоченными на то лицами, если таковой ремонт повлек за собой отказ изделия;
4. Разборки изделия, изменения конструкции и других вмешательств, не предусмотренных инструкцией по эксплуатации;
5. Неисправностей и повреждений, вызванных экстренными условиями и действием непреодолимой силы (пожар, стихийные бедствия, и т.д.);
6. Повреждений техники или нарушений ее нормальной работы, вызванных животными или насекомыми;
7. Повреждений техники или нарушений ее нормальной работы, вызванных сверхнормативными отклонениями параметров сети электро-, газо- или водоснабжения от номинальных значений;
8. Использования изделия для предпринимательской деятельности или в непредусмотренных целях;
9. Образования на нагревательных элементах избыточного слоя накипи (при повышенной жесткости воды необходима обработка соответствующими составами);
10. Попадания во внутренние рабочие объемы изделия посторонних предметов, мелких деталей одежды или остатков пищи;
11. Механических повреждений изделия Потребителем (царапины, трещины, сколы и т.п.);
12. Потери товарного вида изделия вследствие воздействия на изделие химических веществ;
13. Термических и других подобных повреждений, которые возникли в процессе эксплуатации.

Изготовитель не принимает претензии в следующих случаях:

1. Несоблюдение правил установки;
2. Отсутствие оригинального гарантийного талона;
3. Отсутствие в гарантийном талоне следующих сведений: даты продажи, штампа торгующей организации, подписи продавца, модели и серийного номера изделия;
4. Внесение любых исправлений (изменений) в текст гарантийного документа.

Установка и подключение крупной бытовой техники:

1. Производитель рекомендует Вам доверить установку и подключение изделия «Kuppersberg» специалистам сервисного центра. Вы можете также обращаться в любую другую организацию, имеющую сертификат на оказание подобных услуг.

2. Оплата работ по установке и подключению изделия происходит по прейскуранту сервисного центра. Условия оплаты работ по установке и подключению регулируются действующим законодательством. Изготовитель не несет какой-либо ответственности за любой ущерб, нанесенный имуществу граждан вследствие установки и подключения, не соответствующих требованиям, указанным в инструкции по эксплуатации, и произведенных не уполномоченными на то лицами.

3. В случае нарушения требований Изготовителя по установке и подключению, ответственность за причиненный ущерб несет лицо, проводившее эту работу.

4. Газовая бытовая техника может быть установлена только специалистом, имеющим допуск на установку газового оборудования. Гарантийное обслуживание осуществляется только при наличии отметки об установке или документа уполномоченной организации.

Изделие, имеющее трехконтактную сетевую вилку, обязательно должно быть заземлено!





⇒ **ВНИМАНИЕ!**

**ДАННЫЙ ПАСПОРТ ИЗДЕЛИЯ
ТАК ЖЕ ЯВЛЯЕТСЯ
ГАРАНТИЙНЫМ ТАЛОНОМ,
ПРОСЬБА НЕ УНИЧТОЖАТЬ
ДО КОНЦА ЭКСПЛУАТАЦИИ
ТЕХНИКИ.**

⇒ Kuppersberg

⇒ www.kuppersberg.ru

⇒ info@kuppersberg.ru