

**Oven**

User Manual

**Плита**

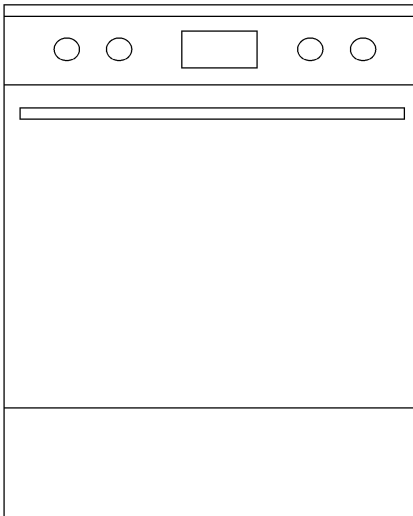
Руководство

пользователя

**Духова шафа**

Посібник користувача

CSE 52120 G



## Please read this user manual first!

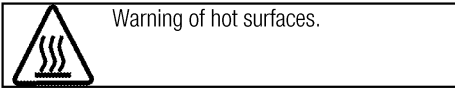
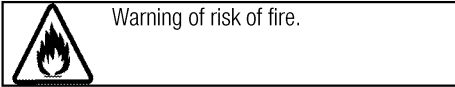
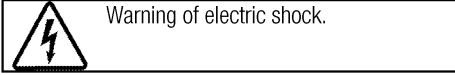
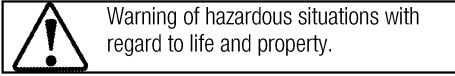
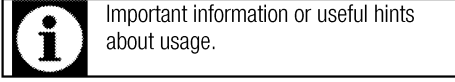
Dear Customer,

Thank you for purchasing this Beko product. We hope that you get the best results from your product which has been manufactured with high quality and state-of-the-art technology. Therefore, please read this entire user manual and all other accompanying documents carefully before using the product and keep it as a reference for future use. If you handover the product to someone else, give the user manual as well. Follow all warnings and information in the user manual.

Remember that this user manual is also applicable for several other models. Differences between models will be identified in the manual.

### Explanation of symbols

Throughout this user manual the following symbols are used:



**Arçelik A.Ş.**  
Karaağaç caddesi No:2-6  
34445 Sütlüce/Istanbul/TURKEY  
Made in TURKEY

## TABLE OF CONTENTS

### **1 Important instructions and warnings for safety and environment 4**

General safety.....	4
Safety when working with gas.....	4
Electrical safety.....	5
Product safety.....	6
Intended use.....	8
Safety for children.....	8
Disposing of the old product.....	8
Package information.....	9

### **2 General information 10**

Overview.....	10
Package contents.....	11
Technical specifications.....	11
Injector table.....	12

### **3 Installation 13**

Before installation.....	13
Installation and connection.....	14
Gas conversion.....	15
Future Transportation.....	16

### **4 Preparation 17**

Tips for saving energy.....	17
Initial use.....	17
First cleaning of the appliance.....	17
Initial heating.....	17

### **5 How to use the hob 18**

General information about cooking.....	18
Using the hobs.....	18

### **6 How to operate the oven 20**

General information on baking, roasting and grilling.....	20
How to operate the electric oven.....	20
Operating modes.....	21
Using the oven clock.....	22
Cooking times table.....	22
How to operate the grill.....	23
Cooking times table for grilling.....	23

### **7 Maintenance and care 24**

General information.....	24
Cleaning the hob.....	24
Cleaning the control panel.....	24
Cleaning the oven.....	24
Removing the oven door.....	25
Removing the door inner glass.....	25
Replacing the oven lamp.....	25

### **8 Troubleshooting 27**

## **I Important instructions and warnings for safety and environment**

This section contains safety instructions that will help protect from risk of personal injury or property damage. Failure to follow these instructions shall void any warranty.

### **General safety**

- This appliance can be used by children aged from 8 years and above and persons with reduced physical, sensory or mental capabilities or lack of experience and knowledge if they have been given supervision or instruction concerning use of the appliance in a safe way and understand the hazards involved.

Children shall not play with the appliance. Cleaning and user maintenance shall not be made by children without supervision.

- Never place the product on a carpet-covered floor. Otherwise, lack of airflow beneath the product will cause electrical parts to overheat. This will cause problems with your product.
- Installation and repair procedures must always be performed by Authorized Service Agents. The manufacturer shall not be held responsible for damages arising from procedures carried out by unauthorized persons which may

also void the warranty. Before installation, read the instructions carefully.

- Do not operate the product if it is defective or has any visible damage.
- Ensure that the product function knobs are switched off after every use.

### **Safety when working with gas**

- Any works on gas equipment and systems may only be carried out by authorised qualified persons who are Gas Safe registered.
- Prior to the installation, ensure that the local distribution conditions (nature of the gas and gas pressure) and the adjustment of the appliance are compatible.
- This appliance is not connected to a combustion products or evacuation device. It shall be installed and connected in accordance with current installation regulations. Particular attention shall be given to the relevant requirements regarding ventilation; See *Before installation*, page 13
- The use of gas cooking appliance results in the production of heat and moisture in the room in which it is installed. Ensure that the

kitchen is well ventilated: keep natural ventilation holes open or install a mechanical ventilation device (mechanical extractor hood). Prolonged intensive use of the appliance may call for additional ventilation, for example increasing the level of the mechanical ventilation where present.

- Gas appliances and systems must be regularly checked for proper functioning. Regulator, hose and its clamp must be checked regularly and replaced within the periods recommended by its manufacturer or when necessary.
- Clean the gas burners regularly. The flames should be blue and burn evenly.
- Good combustion is required in gas appliances. In case of incomplete combustion, carbon monoxide (CO) might develop. Carbon monoxide is a colourless, odourless and very toxic gas, which has a lethal effect even in very small doses.
- Request information about gas emergency telephone numbers and safety measures in case of gas smell from you local gas provider.

### **What to do when you smell gas**

- Do not use open flame or do not smoke. Do not operate any

electrical buttons (e.g. lamp button, door bell and etc.) Do not use fixed or mobile phones. Risk of explosion and toxication!

- Open doors and windows.
- Turn off all valves on gas appliances and gas meter at the main control valve, unless it's in a confined space or cellar.
- Check all tubes and connections for tightness. If you still smell gas leave the property.
- Warn the neighbours.
- Call the fire-brigade. Use a telephone outside the house.
- Do not re-enter the property until you are told it is safe to do so.

### **Electrical safety**

- If the product has a failure, it should not be operated unless it is repaired by an Authorized Service Agent. There is the risk of electric shock!
- Only connect the product to a grounded outlet/line with the voltage and protection as specified in the "Technical specifications". Have the grounding installation made by a qualified electrician while using the product with or without a transformer. Our company shall not be liable for any problems arising due to the product not being earthed in accordance with the local regulations.

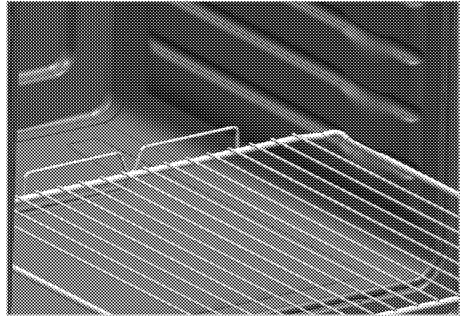
- Never wash the product by spreading or pouring water onto it! There is the risk of electric shock!
- Never touch the plug with wet hands! Never unplug by pulling on the cable, always pull out by grabbing the plug.
- The product must be disconnected during installation, maintenance, cleaning and repairing procedures.
- If the power connection cable for the product is damaged, it must be replaced by the manufacturer, its service agent or similarly qualified persons in order to avoid a hazard.
- The appliance must be installed so that it can be completely disconnected from the mains supply. The separation must be provided by a switch built into the fixed electrical installation, according to construction regulations.
- Rear surface of the oven gets hot when it is in use. Make sure that the gas/electrical connection does not contact the rear surface; otherwise, connections can get damaged.
- Do not trap the mains cable between the oven door and frame and do not route it over hot surfaces. Otherwise, cable insulation may melt and cause fire as a result of short circuit.
- Any work on electrical equipment and systems should only be carried out by authorized and qualified persons.
- In case of any damage, switch off the product and disconnect it from the mains. To do this, turn off the fuse at home.
- Make sure that fuse rating is compatible with the product.

### **Product safety**

- The appliance and its accessible parts become hot during use. Care should be taken to avoid touching heating elements. Children less than 8 years of age shall be kept away unless continuously supervised.
- Never use the product when your judgment or coordination is impaired by the use of alcohol and/or drugs.
- Be careful when using alcoholic drinks in your dishes. Alcohol evaporates at high temperatures and may cause fire since it can ignite when it comes into contact with hot surfaces.
- Do not place any flammable materials close to the product as the sides may become hot during use.
- During use the appliance becomes hot. Care should be

taken to avoid touching heating elements inside the oven.

- Keep all ventilation slots clear of obstructions.
- Do not heat closed tins and glass jars in the oven. The pressure that would build-up in the tin/jar may cause it to burst.
- Do not place baking trays, dishes or aluminium foil directly onto the bottom of the oven. The heat accumulation might damage the bottom of the oven.
- Do not use harsh abrasive cleaners or sharp metal scrapers to clean the oven door glass since they can scratch the surface, which may result in shattering of the glass.
- Do not use steam cleaners to clean the appliance as this may cause an electric shock.
- **Placing the wire shelf and tray onto the wire racks properly**  
It is important to place the wire shelf and/or tray onto the rack properly. Slide the wire shelf or tray between 2 rails and make sure that it is balanced before placing food on it (Please see the following figure).



- Do not use the product if the front door glass removed or cracked.
- Do not use the oven handle to hang towels for drying. Do not hang up towel, gloves, or similar textile products when the grill function is at open door.
- Always use heat resistant oven gloves when putting in or removing dishes into/from the hot oven.
- Ensure that the appliance is switched off before replacing the lamp to avoid the possibility of electric shock.
- Do not close the top cover before the hotplates or burners cool down.  
Wipe the top cover dry before opening it in order to avoid water leakage to the rear and inner sections of the oven.
- Unattended cooking on a hob with fat or oil can be dangerous and may result in fire. NEVER try to extinguish a fire with water, but switch off the appliance and then

cover flame e.g. with a lid or a fire blanket.

- Danger of fire: Do not store items on the cooking surfaces.

Prevention against possible fire risk!

- Ensure all electrical connections are secure and tight to prevent risk of arcing.
- Do not use damaged cables or extension cables.
- Ensure liquid or moisture is not accessible to the electrical connection point.
- To prevent gas leakage ensure that the gas connection is sound.

### **Intended use**

- This product is designed for domestic use. Commercial use will void the guarantee.
- This appliance is for cooking purposes only. It must not be used for other purposes, for example room heating.
- This product should not be used for warming the plates under the grill, drying towels, dish cloths etc. by hanging them on the oven door handles. This product should also not be used for room heating purposes.
- The manufacturer shall not be liable for any damage caused by improper use or handling errors.
- The oven can be used for defrosting, baking, roasting and grilling food.

### **Safety for children**

- Accessible parts may become hot during use. Young children should be kept away.
- The packaging materials will be dangerous for children. Keep the packaging materials away from children. Please dispose of all parts of the packaging according to environmental standards.
- Electrical and/or gas products are dangerous to children. Keep children away from the product when it is operating and do not allow them to play with the product.
- Do not place any items above the appliance that children may reach for.
- When the door is open, do **not** load any heavy object on it and do **not** allow children to sit on it. It may overturn or door hinges may get damaged.

### **Disposing of the old product**

#### **Compliance with the WEEE Directive and Disposing of the Waste Product:**



This product complies with EU WEEE Directive (2012/19/EU). This product bears a classification symbol for waste electrical and electronic equipment (WEEE).



This product has been manufactured with high quality parts and materials which can be reused and are suitable for recycling. Do not dispose of the waste product with normal domestic and other wastes at the end of its service life. Take it to the collection center for the recycling of electrical and electronic equipment. Please consult your local authorities to learn about these collection centers.

**Compliance with RoHS Directive:**

The product you have purchased complies with EU RoHS Directive (2011/65/EU). It does not contain

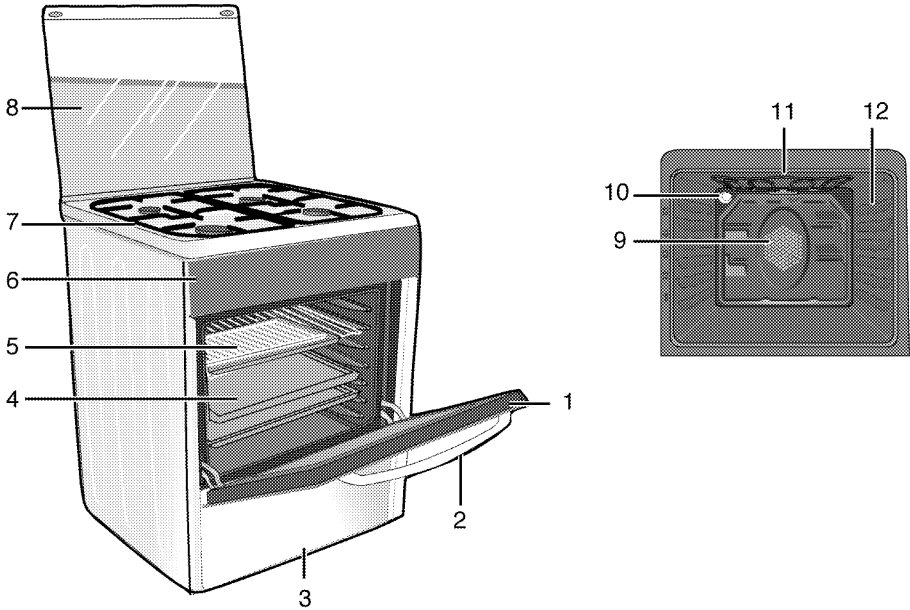
harmful and prohibited materials specified in the Directive.

**Package information**

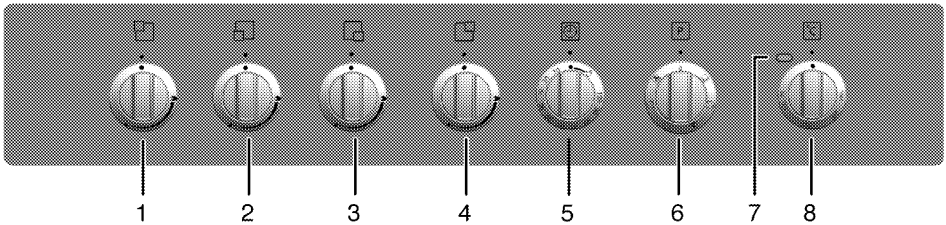
- Packaging materials of the product are manufactured from recyclable materials in accordance with our National Environment Regulations. Do not dispose of the packaging materials together with the domestic or other wastes. Take them to the packaging material collection points designated by the local authorities.

## 2 General information

### Overview



- |   |               |    |                                |
|---|---------------|----|--------------------------------|
| 1 | Front door    | 7  | Burner plate                   |
| 2 | Handle        | 8  | Top lid                        |
| 3 | Lower part    | 9  | Fan motor (behind steel plate) |
| 4 | Tray          | 10 | Lamp                           |
| 5 | Wire shelf    | 11 | Grill heating element          |
| 6 | Control panel | 12 | Shelf positions                |



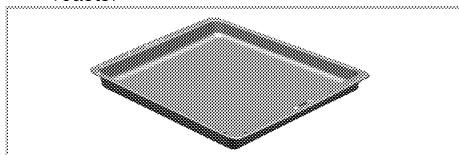
- |   |                              |
|---|------------------------------|
| 1 | Normal burner Rear left      |
| 2 | Rapid burner Front left      |
| 3 | Auxiliary burner Front right |
| 4 | Normal burner Rear right     |
| 5 | Mechanical timer             |
| 6 | Function knob                |
| 7 | Thermostat lamp              |
| 8 | Thermostat knob              |

## Package contents

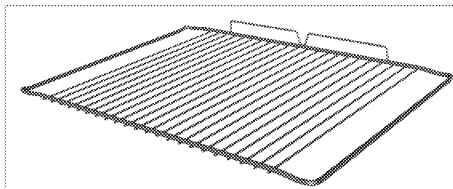


Accessories supplied can vary depending on the product model. Not every accessory described in the user manual may exist on your product.

1. User manual
2. Oven tray  
Used for pastries, frozen foods and big roasts.



3. Wire Shelf  
Used for roasting and for placing the food to be baked, roasted or cooked in casserole dishes to the desired rack.



## Technical specifications

GENERAL	
External dimensions (height / width / depth)	850 mm/500 mm/600 mm
Voltage / frequency	220-240 V ~ 50 Hz
Total power consumption	2.0 kW
Fuse	min. 16 A
Cable type / section	H05VV-FG 3 x 1 mm <sup>2</sup>
Cable length	max. 2 m
Category of gas product	cat II 2H3B/P
Gas type / pressure	NG G 20/20 mbar
Total gas consumption	7.9 kW
Converting the gas type / pressure <sup>s</sup>	NG G 20/13 mbar
– optional	NG G 20/10mbar - LPG G 30/30mbar
HOB	
Burners	
Rear left	<b>Normal burner</b>
Power	2 kW
Front left	<b>Rapid burner</b>
Power	2.9 kW
Front right	<b>Auxiliary burner</b>
Power	1 kW
Rear right	<b>Normal burner</b>
Power	2 kW
OVEN/GRILL	
Main oven	<b>Fan assisted</b>
Inner lamp	15–25 W
Grill power consumption	1.6 kW

<sup>#</sup> Basics: Information on the energy label of electrical ovens is given in accordance with the EN 60350-1 / IEC 60350-1 standard. Those values are determined under standard load with bottom-top heater or fan assisted heating (if any) functions.

Energy efficiency class is determined in accordance with the following prioritization depending on whether the relevant functions exist on the product or not. 1-Cooking with eco-fan, 2- Turbo slow cooking, 3- Turbo cooking, 4- Fan assisted bottom/top heating, 5-Top and bottom heating.



Technical specifications may be changed without prior notice to improve the quality of the product.



Figures in this manual are schematic and may not exactly match your product.



Values stated on the product labels or in the documentation accompanying it are obtained in laboratory conditions in accordance with relevant standards. Depending on operational and environmental conditions of the product, these values may vary.

## Injector table

Position hob zone	2 kW Rear left	2.9 kW Front left	1 kW Front right	2 kW Rear right
Gas type / Gas pressure				
G 20/10 mbar	125	155	90	125
G 20/13 mbar	116	145	84	116
G 20/20 mbar	103	115	72	103
G 30/28-30 mbar	72	87	50	72

### 3 Installation

Product must be installed by a qualified person in accordance with the regulations in force. The manufacturer shall not be held responsible for damages arising from procedures carried out by unauthorized persons which may also void the warranty.



Preparation of location and electrical and gas installation for the product is under customer's responsibility.



#### DANGER:

The product must be installed in accordance with all local gas and/or electrical regulations.



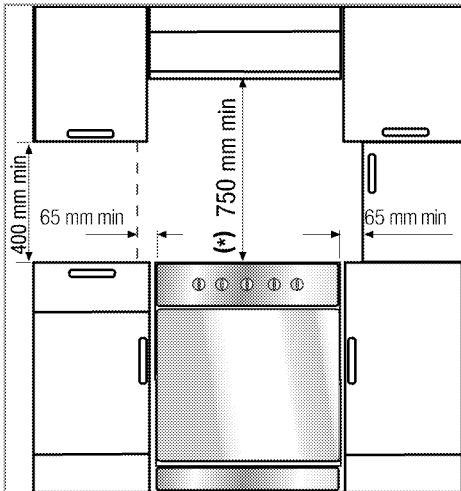
#### DANGER:

Prior to installation, visually check if the product has any defects on it. If so, do not have it installed.  
Damaged products cause risks for your safety.

### Before installation

To ensure that critical air gaps are maintained under the appliance, we recommend that this appliance is mounted on a solid base and that the feet do not sink into any carpet or soft flooring.

The kitchen floor must be able to carry the weight of the appliance plus the additional weight of cookware and bakeware and food.

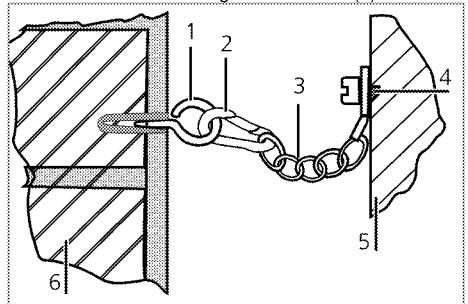


- It can be used with cabinets on either side but in order to have a minimum distance of 400mm above hotplate level allow a side clearance of 65mm between the appliance and any wall, partition or tall cupboard.
- It can also be used in a free standing position. Allow a minimum distance of 750 mm above the hob surface.
- (\*) If a cooker hood is to be installed above the cooker, refer to cooker hood manufacturer's instructions regarding installation height (min 650 mm).
- The appliance corresponds to device class 1, i.e. it may be placed with the rear and **one** side to kitchen walls, kitchen furniture or equipment of any size. The kitchen furniture or equipment on the **other** side may only be of the same size or smaller.
- Any kitchen furniture next to the appliance must be heat-resistant (100 °C min.).

### Safety chain

The appliance must be secured against overbalancing by using the supplied two safety chains on your oven.

Fasten hook (1) by using a proper peg to the kitchen wall (6) and connect safety chain (3) to the hook via the locking mechanism (2).



- 1 Stability hook
- 2 Locking mechanism
- 3 Safety chain (supplied and mounted to oven)
- 4 Firmly fix chain to cooker rear
- 5 Rear of cooker
- 6 Kitchen wall



Stability chain to be as short as practicable to avoid oven tilting forward and diagonal to avoid oven side tilting.

Cooker stability chain for cookers not designed with bracket engagement slot.

### Room ventilation

All rooms require an openable window, or equivalent, and some rooms will require a permanent vent as well.

The air for combustion is taken from the room air and the exhaust gases are emitted directly into the room.

Good room ventilation is essential for safe operation of your appliance. If there is no window or door available for room ventilation, an extra ventilation must be installed.

The appliance may be located in a kitchen, kitchen/diner or a bed-sitting room, but not in a room containing a bath or shower. The appliance must not be installed in a bed-sitting room of less than 20m<sup>3</sup>.

Do not install this appliance in a room below ground level unless it is open to ground level on at least one side.

Room size	Ventilation opening
smaller than 5 m <sup>3</sup>	min. 100 cm <sup>2</sup>
5 m <sup>3</sup> to 10 m <sup>3</sup>	min. 50 cm <sup>2</sup>
greater than 10 m <sup>3</sup>	not required
In the cellar or basement	min. 65 cm <sup>2</sup>

### Installation and connection

Product can only be installed and connected in accordance with the statutory installation rules.



Do not install the product next to refrigerators or freezers. The heat emitted by the product will increase the energy consumption of cooling appliances.

- Carry the product with at least two persons.
- Product must be placed directly on the floor. It must not be placed onto a base or a pedestal.



Do not use the door and/or handle to carry or move the product. The door, handle or hinges get damaged.

### Electrical connection

Connect the product to a grounded outlet/line protected by a fuse of suitable capacity as stated in the "Technical specifications" table. Have the grounding installation made by a qualified electrician while using the product with or without a transformer. Our company shall not be liable for any damages that will arise due to using the product without a grounding installation in accordance with the local regulations.



#### DANGER:

The product must be connected to the mains supply only by an authorised and qualified person. The product's warranty period starts only after correct installation. Manufacturer shall not be held responsible for damages arising from procedures carried out by unauthorised persons.



#### DANGER:

The power cable must not be clamped, bent or trapped or come into contact with hot parts of the product. A damaged power cable must be replaced by a qualified electrician. Otherwise, there is risk of electric shock, short circuit or fire!

The mains supply data must correspond to the data specified on the type label of the product. The rating plate is either seen when the door or the lower cover is opened or it is located at the rear wall of the unit depending on the unit type. Power cable of your product must comply with the values in "Technical specifications" table.



Power cable plug must be within easy reach after installation (do not route it above the hob).



#### DANGER:

Before starting any work on the electrical installation, disconnect the product from the mains supply. There is the risk of electric shock!

Plug the power cable into the socket.

## Gas connection



### DANGER:

Product can be connected to gas supply system only by an authorised and qualified person or technician with licence. Risk of explosion or toxication due to unprofessional repairs!  
Manufacturer shall not be held responsible for damages arising from procedures carried out by unauthorised or unlicensed persons.



### DANGER:

Before starting any work on the gas installation, disconnect the gas supply. There is the risk of explosion!

- Gas adjustment conditions and values are stated on labels (or ion type label).



Your product is equipped for natural gas (NG).

- Natural gas installation must be prepared before installing the product.
- There must be a flex pipe at the outlet of the installation for the natural gas connection of your product and the tip of this pipe must be closed with a blind plug. Service Representative will remove the blind plug during connection and connect your product by means of a straight connection device (coupling).
- Make sure that the natural gas valve is readily accessible.
- If you need to use your product later with a different type of gas, you must consult the Authorised Service Agent for the related conversion procedure.



### DANGER:

The gas hose must not be clamped, bent or trapped or come into contact with hot parts of the product. There is the risk of explosion due to damaged gas hose.

- Push the product towards the kitchen wall.
- **Adjusting the feet of oven**  
Vibrations during use may cause cooking vessels to move. This dangerous situation

can be avoided if the product is level and balanced.

For your own safety please ensure the product is level by adjusting the four feet at the bottom by turning left or right and align level with the work top.

## Final check

1. Check electrical functions.
2. Open gas supply.
3. Check gas installations for secure fitting and tightness.
4. Ignite burners and check appearance of the flame.



Flame must be blue and have a regular shape. If the flame is yellowish, check if the burner cap is seated securely or clean the burner.

## Gas conversion



### DANGER:

Before starting any work on the gas installation, disconnect the gas supply. There is the risk of explosion!

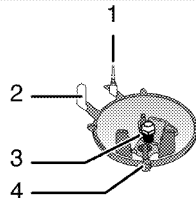
In order to change your appliance's gas type, change all injectors and make flame adjustment for all valves at reduced flow rate position.

## Exchange of injector for the burners

1. Take off burner cap and burner body.
2. Unscrew injectors by turning the counter-clockwise.
3. Fit new injectors.
4. Check all connections for secure fitting and tightness.



New injectors have their position marked on their packing or injector table on *Injector table, page 12* can be referred to.



- 1 Flame failure device (model dependant)

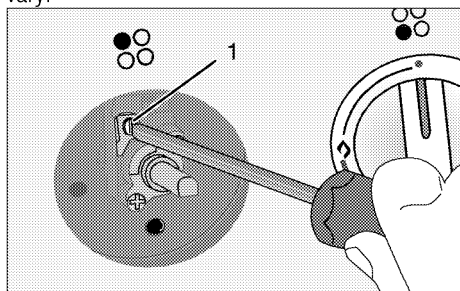
- 2 Spark plug
- 3 Injector
- 4 Burner

**i** Unless there is an abnormal condition, do not attempt to remove the gas burner taps. You must call an Authorised service agent if it is necessary to change the taps.

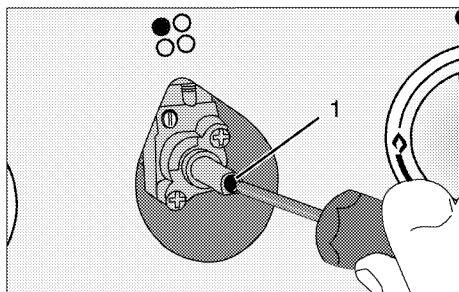
### Reduced gas flow rate setting for hob taps

1. Ignite the burner that is to be adjusted and turn the knob to the reduced position.
  2. Remove the knob from the gas tap.
  3. Use an appropriately sized screwdriver to adjust the flow rate adjustment screw.
- For LPG (Butane - Propane) turn the screw clockwise. For the natural gas, you should turn the screw **counter-clockwise** once.
- » The normal length of a straight flame in the reduced position should be 6-7 mm.
4. If the flame is higher than the desired position, turn the screw clockwise. If it is smaller turn anticlockwise.
  5. For the last control, bring the burner both to high-flame and reduced positions and check whether the flame is on or off.

Depending on the type of gas tap used in your appliance the adjustment screw position may vary.



1 Flow rate adjustment screw



1 Flow rate adjustment screw

**i** If the gas type of the unit is changed, then the rating plate that shows the gas type of the unit must also be changed.

### Future Transportation

- Keep the product's original carton and transport the product in it. Follow the instructions on the carton. If you do not have the original carton, pack the product in bubble wrap or thick cardboard and tape it securely.
- To prevent the wire grill and tray inside the oven from damaging the oven door, place a strip of cardboard onto the inside of the oven door that lines up with the position of the trays. Tape the oven door to the side walls.
- Secure the caps and pan supports with adhesive tape.
- Do not use the door or handle to lift or move the product.

**i** Do not place any objects onto the product and move it in upright position.

**i** Check the general appearance of your product for any damages that might have occurred during transportation.



## 4 Preparation

### Tips for saving energy

The following information will help you to use your appliance in an ecological way, and to save energy:

- Use dark coloured or enamel coated cookware in the oven since the heat transmission will be better.
- While cooking your dishes, perform a preheating operation if it is advised in the user manual or cooking instructions.
- Do not open the door of the oven frequently during cooking.
- Try to cook more than one dish in the oven at the same time whenever possible. You can cook by placing two cooking vessels onto the wire shelf.
- Cook more than one dish one after another. The oven will already be hot.
- You can save energy by switching off your oven a few minutes before the end of the cooking time. Do not open the oven door.
- Defrost frozen dishes before cooking them.
- Use pots/pans with cover for cooking. If there is no cover, energy consumption may increase 4 times.
- Select the burner which is suitable for the bottom size of the pot to be used. Always select the correct pot size for your dishes. Larger pots require more energy.

### Initial use

#### First cleaning of the appliance



The surface might get damaged by some detergents or cleaning materials.

Do not use aggressive detergents, cleaning powders/creams or any sharp objects during cleaning.

Do not use harsh abrasive cleaners or sharp metal scrapers to clean the oven door glass since they can scratch the surface, which may result in shattering of the glass.

1. Remove all packaging materials.

2. Wipe the surfaces of the appliance with a damp cloth or sponge and dry with a cloth.

### Initial heating

Heat up the product for about 30 minutes and then switch it off. Thus, any production residues or layers will be burnt off and removed.



#### WARNING

Hot surfaces cause burns!

Product may be hot when it is in use. Never touch the hot burners, inner sections of the oven, heaters and etc. Keep children away. Always use heat resistant oven gloves when putting in or removing dishes into/from the hot oven.

### Electric oven

1. Take all baking trays and the wire grill out of the oven.
2. Close the oven door.
3. Select Static position.
4. Select the highest grill power; See *How to operate the electric oven, page 20*.
5. Operate the oven for about 30 minutes.
6. Turn off your oven; See *How to operate the electric oven, page 20*

### Grill oven

1. Take all baking trays and the wire grill out of the oven.
2. Close the oven door.
3. Select the highest grill power; see *How to operate the grill, page 23*.
4. Operate the grill about 30 minutes.
5. Turn off your grill; see *How to operate the grill, page 23*



Smoke and smell may emit for a couple of hours during the initial operation. This is quite normal. Ensure that the room is well ventilated to remove the smoke and smell. Avoid directly inhaling the smoke and the smell that emits.

## 5 How to use the hob

### General information about cooking



Never fill the pan with oil more than one third of it. Do not leave the hob unattended when heating oil. Overheated oils bring risk of fire. **Never attempt to extinguish a possible fire with water!** When oil catches fire, cover it with a fire blanket or damp cloth. Turn off the hob if it is safe to do so and call the fire department.

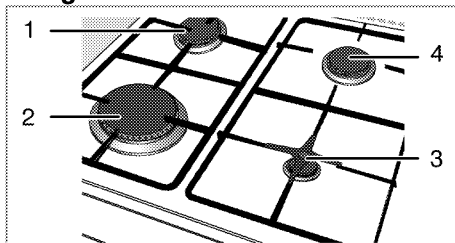
- Before frying foods, always dry them well and gently place into the hot oil. Ensure complete thawing of frozen foods before frying.
- Do not cover the vessel you use when heating oil.
- Place the pans and saucepans in a manner so that their handles are not over the hob to prevent heating of the handles. Do not place unbalanced and easily tilting vessels on the hob.
- Do not place empty vessels and saucepans on cooking zones that are switched on. They might get damaged.
- Operating a cooking zone without a vessel or saucepan on it will cause damage to the product. Turn off the cooking zones after the cooking is complete.
- As the surface of the product can be hot, do not put plastic and aluminum vessels on it. Such vessels should not be used to keep foods either.
- Use flat bottomed saucepans or vessels only.
- Put appropriate amount of food in saucepans and pans. Thus, you will not have to make any unnecessary cleaning by preventing the dishes from overflowing. Do not put covers of saucepans or pans on cooking zones. Place the saucepans in a manner so that they are centered on the cooking zone. When you want to move the saucepan onto another cooking zone, lift and place it onto

the cooking zone you want instead of sliding it.

### Gas cooking

- Size of the vessel and the flame must match each other. Adjust the gas flames so that they will not extend the bottom of the vessel and center the vessel on saucepan carrier.

### Using the hobs



- 1 Normal burner 18-20 cm
- 2 Rapid burner 22-24 cm
- 3 Auxiliary burner 12-18 cm
- 4 Normal burner 18-20 cm is list of advised diameter of pots to be used on related burners.

Large flame symbol indicates the highest cooking power and small flame symbol indicates the lowest cooking power. In turned off position (top), gas is not supplied to the burners.

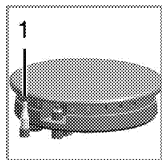
### Igniting the gas burners

1. Keep burner knob pressed.
2. Turn it counter clockwise to large flame symbol.
  - » Gas is ignited with the spark created.
3. Adjust it to the desired cooking power.

### Turning off the gas burners

Turn the knob to off (upper) position.

## Gas shut off safety system (in models with thermic component)



1. Gas shut off safety

As a counter measure against blow out due to fluid overflows at burners, safety mechanism trips and shuts off the gas.

- Push the knob inwards and turn it counter clockwise to ignite.

- After the gas ignites, keep the knob pressed for 3-5 seconds more to engage the safety system.
- If the gas does not ignite after you press and release the knob, repeat the same procedure by keeping the knob pressed for 15 seconds.



### **DANGER:**

Release the button if the burner is not ignited within 15 seconds.  
Wait at least 1 minute before trying again.  
There is the risk of gas accumulation and explosion!

## 6 How to operate the oven

### General information on baking, roasting and grilling



#### WARNING

Hot surfaces cause burns!

Product may be hot when it is in use. Never touch the hot burners, inner sections of the oven, heaters and etc. Keep children away. Always use heat resistant oven gloves when putting in or removing dishes into/from the hot oven.



#### DANGER:

Be careful when opening the oven door as steam may escape.

Exiting steam can scald your hands, face and/or eyes.

#### Tips for baking

- Use non-sticky coated appropriate metal plates or aluminum vessels or heat-resistant silicone moulds.
- Make best use of the space on the rack.
- Place the baking mould in the middle of the shelf.
- Select the correct rack position before turning the oven or grill on. Do not change the rack position when the oven is hot.
- Keep the oven door closed.

#### Tips for roasting

- Treating whole chicken, turkey and large piece of meat with dressings such as lemon juice and black pepper before cooking will increase the cooking performance.
- It takes about 15 to 30 minutes longer to roast meat with bones when compared to roasting the same size of meat without bones.
- Each centimeter of meat thickness requires approximately 4 to 5 minutes of cooking time.
- Let meat rest in the oven for about 10 minutes after the cooking time is over. The juice is better distributed all over the roast and does not run out when the meat is cut.
- Fish should be placed on the middle or lower rack in a heat-resistant plate.

#### Tips for grilling

When meat, fish and poultry are grilled, they quickly get brown, have a nice crust and do not get dry. Flat pieces, meat skewers and sausages are particularly suited for grilling as are vegetables with high water content such as tomatoes and onions.

- Distribute the pieces to be grilled on the wire shelf or in the baking tray with wire shelf in such a way that the space covered does not exceed the size of the heater.
- Slide the wire shelf or baking tray with grill into the desired level in the oven. If you are grilling on the wire shelf, slide the baking tray to the lower rack to collect fats. Add some water in the tray for easy cleaning.

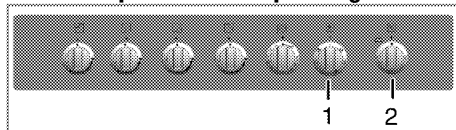


Foods that are not suitable for grilling carry the risk of fire. Only grill food which is suitable for intensive grilling heat.

Do not place the food too far in the back of the grill. This is the hottest area and fatty food may catch fire.

### How to operate the electric oven

#### Select temperature and operating mode



- 1 Function knob
- 2 Thermostat knob

1. Set the oven timer to the desired cooking time; see *Using the oven clock, page 22*.
  2. Set the Temperature knob to the desired temperature.
  3. Set the Function knob to the desired operating mode.
- » Oven heats up to the adjusted temperature and maintains it. During heating, temperature lamp stays on.

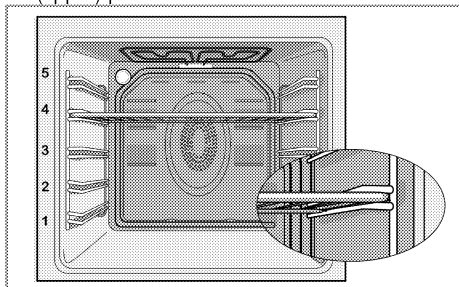
#### Switching off the electric oven

Switch the oven timer to off position.



When the timer is set to a certain time, it will turn off automatically; see *Using the oven clock, page 22*

Turn the function knob and temperature knob to off (upper) position.



### Rack positions (For models with wire shelf)

It is important to place the wire shelf onto the side rack correctly. Wire shelf must be inserted between the side racks as illustrated in the figure. Do not let the wire shelf stand against the rear wall of the oven. Slide your wire shelf to the front section of the rack and settle it with the help of the door in order to obtain a good grill performance.

### Operating modes

The order of operating modes shown here may be different from the arrangement on your product.

#### Top and bottom heating



Top and bottom heating are in operation. Food is heated simultaneously from the top and bottom. For example, it is suitable for cakes, pastries, or cakes and casseroles in baking moulds. Cook with one tray only.

#### Bottom heating



Only bottom heating is in operation. It is suitable for pizza and for subsequent browning of food from the bottom.

This function must be used for easy steam cleaning as well.

#### Fan supported bottom/top heating



Top heating, bottom heating plus fan (in the rear wall) are in operation. Hot air is evenly distributed throughout the oven rapidly by means of the fan. Cook with one tray only.

#### Full grill



Large grill at the ceiling of the oven is in operation. It is suitable for grilling large amount of meat.

- Put big or medium-sized portions in correct rack position under the grill heater for grilling.
- Set the temperature to maximum level.
- Turn the food after half of the grilling time.

#### Grill+Fan



Grilling effect is not as strong as in Full Grill

- Put small or medium-sized portions in correct shelf position under the grill heater for grilling.
- Set the desired temperature.
- Turn the food after half of the grilling time.

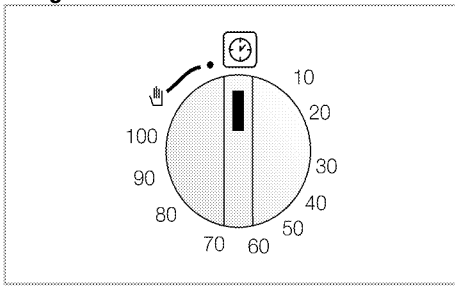
#### Booster



This function is used to heat the oven rapidly; it is not suitable for cooking food.

- Select the desired temperature after selecting this function. Temperature light turns on and oven is heated.
- Light turns off after the heating process is completed. Now select the desired function to cook your food.

## Using the oven clock



## Starting the cooking

**i** In order to operate the oven, you must select cooking mode and the desired temperature and set the time. Otherwise, the oven will not operate.

1. Turn the Time Adjustment knob clockwise to set the cooking time.
2. Put your dish into the oven.
3. Select operation mode and temperature; see.

*How to operate the electric oven, page 20.*

- » The oven will be heated up to the preset temperature and will maintain this temperature until the end of the cooking time you selected.
4. Once the cooking time is over, Time Setting knob will automatically rotate

counterclockwise. A warning sound indicating that the set time is over is heard and the power is cut.

**i** If you do not want to use the timer function, turn the knob counterclockwise towards the hand symbol.

5. Turn off the oven with the Time Setting knob, function knob and temperature knob.

## Turning off the oven before the set time

1. Turn the Time Adjustment knob counterclockwise until it stops.
2. Turn off the oven with the Function knob and Temperature knob.

## Cooking times table

**i** The timings in this chart are meant as a guide. Timings may vary due to temperature of food, thickness, type and your own preference of cooking.

## Baking and roasting

**i** 1st rack of the oven is the **bottom** rack.

Dish	Cooking level number		Rack position	Temperature (°C)	Cooking time (approx. in min.)
**Cakes in tray	One level		3	175	30 ... 45
**Cakes in mould	One level		3	175	30 ... 50
**Cakes in cooking paper	One level		3	160 ... 170	20 ... 30
**Sponge cake	One level		3	180 ... 200	10 ... 20
**Cookies	One level		3	160 ... 170	20 ... 30
**Dough pastry	One level		3	200	20 ... 30
**Rich pastry	One level		3	190	25 ... 35
**Leaven	One level		3	190	20 ... 40
**Lasagna	One level		2	180	25 ... 45
**Pizza	One level		2	200	15 ... 25
Beef steak (whole) / Roast	One level		2	25 min. 220, then 180 ... 190	80 ... 100
Leg of Lamb (casserole)	One level		2	25 min. 220, then 180 ... 190	60 ... 90
Roasted chicken	One level		2	15 min. 250/max, then 190	55 ... 65
Turkey (Sliced)	One level		2	25 min. 250/max, then 190	60 ... 100
Fish	One level		3	200	20 ... 30

(\*\*) In a cooking that requires preheating, preheat at the beginning of cooking until the thermostat lamp turns off.

## Tips for baking cake

- If the cake is too dry, increase the temperature by 10°C and decrease the cooking time.

- If the cake is wet, use less liquid or lower the temperature by 10°C.
- If the cake is too dark on top, place it on a lower rack, lower the temperature and increase the cooking time.
- If cooked well on the inside but sticky on the outside use less liquid, lower the temperature and increase the cooking time.

### Tips for baking pastry

- If the pastry is too dry, increase the temperature by 10°C and decrease the cooking time. Dampen the layers of dough with a sauce composed of milk, oil, egg and yoghurt.
- If the pastry takes too long to bake, pay care that the thickness of the pastry you have prepared does not exceed the depth of the tray.
- If the upper side of the pastry gets browned, but the lower part is not cooked, make sure that the amount of sauce you have used for the pastry is not too much at the bottom of the pastry. Try to scatter the sauce equally between the dough layers and on the top of pastry for an even browning.



Cook the pastry in accordance with the mode and temperature given in the cooking table. If the bottom part is still not browned enough, place it on one lower rack next time.

### Tips for cooking vegetables

- If the vegetable dish runs out of juice and gets too dry, cook it in a pan with a lid instead of a tray. Closed vessels will preserve the juice of the dish.
- If a vegetable dish does not get cooked, boil the vegetables beforehand or prepare them like canned food and put in the oven.

### How to operate the grill



#### WARNING

Close oven door during grilling.  
Hot surfaces may cause burns!

- Turn the Time Adjustment knob counter clockwise to Hand symbol when grilling.

### Switching on the grill

1. Turn the Function knob to the desired grill symbol.
2. Then, select the desired grilling temperature.
3. If required, perform a preheating of about 5 minutes.

» Temperature light turns on.

### Switching off the grill

1. Turn the Function knob to Off (top) position.



Foods that are not suitable for grilling carry the risk of fire. Only grill food which is suitable for intensive grilling heat.

Do not place the food too far in the back of the grill. This is the hottest area and fatty food may catch fire.

### Cooking times table for grilling

Food	Insertion level	Grilling time (approx.)
Fish	4..5	20..25 min. #
Sliced chicken	4..5	25...35 min.
Lamb chops	4..5	20..25 min.
Roast beef	4..5	25..30 min. #
Veal chops	4..5	25..30 min. #
Toast bread	4	1...2 min.

# depending on thickness

## 7 Maintenance and care

### General information

Service life of the product will extend and the possibility of problems will decrease if the product is cleaned at regular intervals.

**DANGER:**

Disconnect the product from mains supply before starting maintenance and cleaning works.

There is the risk of electric shock!

**DANGER:**

Allow the product to cool down before you clean it.

Hot surfaces may cause burns!

- Clean the product thoroughly after each use. In this way it will be possible to remove cooking residues more easily, thus avoiding these from burning the next time the appliance is used.
- No special cleaning agents are required for cleaning the product. Use warm water with washing liquid, a soft cloth or sponge to clean the product and wipe it with a dry cloth.
- Always ensure any excess liquid is thoroughly wiped off after cleaning and any spillage is immediately wiped dry.
- Do not use cleaning agents that contain acid or chloride to clean the stainless or inox surfaces and the handle. Use a soft cloth with a liquid detergent (not abrasive) to wipe those parts clean, paying attention to sweep in one direction.



The surface might get damaged by some detergents or cleaning materials.

Do not use aggressive detergents, cleaning powders/creams or any sharp objects during cleaning.

Do not use harsh abrasive cleaners or sharp metal scrapers to clean the oven door glass since they can scratch the surface, which may result in shattering of the glass.



Do not use steam cleaners to clean the appliance as this may cause an electric shock.

### Cleaning the hob

#### Gas hobs

1. Remove and clean the saucepan carriers and burner caps.
2. Clean the hob.
3. Install the burner caps and make sure that they are seated correctly.
4. When installing the upper grills, pay attention to place the saucepan carriers so that the burners are centered.

### Cleaning the control panel

Clean the control panel and knobs with a damp cloth and wipe them dry.



Do not remove the control buttons/knobs to clean the control panel.

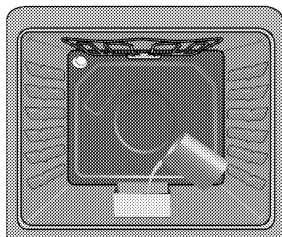
Control panel may get damaged!

### Cleaning the oven

#### Easy Steam Cleaning

It ensures easy cleaning because the dirt (having waited not for too long) is softened with the steam that forms inside the oven and the water drops condensing on the inner surfaces of the oven.

1. Remove all accessories inside the oven.
2. Place a metal container to the bottom of the oven. Add 400 ml water into the container.



3. Set the oven to bottom heating mode and run at 200°C for 25 minutes.
4. Open the door and wipe the inner surfaces of the oven with a damp sponge or cloth.
5. Use warm water with washing liquid, a soft cloth or sponge to clean the persistent dirt and wipe it with a dry cloth.



## Clean oven door

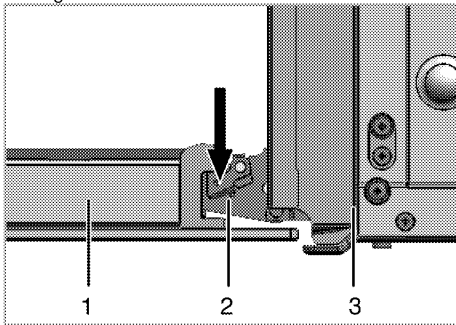
To clean the oven door, use warm water with washing liquid, a soft cloth or sponge to clean the product and wipe it with a dry cloth.



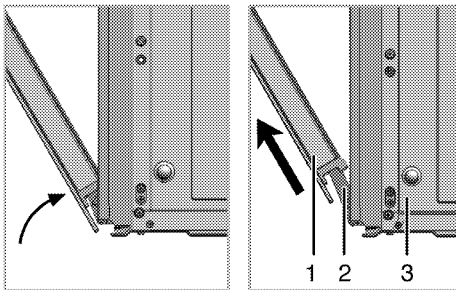
Don't use any harsh abrasive cleaners or sharp metal scrapers for cleaning the oven door. They could scratch the surface and destroy the glass.

## Removing the oven door

1. Open the front door (1).
2. Open the clips at the hinge housing (2) on the right and left hand sides of the front door by pressing them down as illustrated in the figure.



- 1 Front door
- 2 Hinge
- 3 Oven



3. Move the front door to half-way.
4. Remove the front door by pulling it upwards to release it from the right and left hinges.

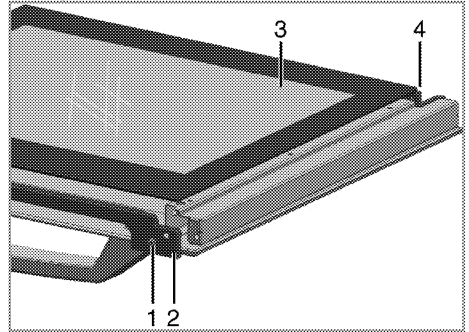


Steps carried out during removing process should be performed in reverse order to install the door. Do not forget to close the clips at the hinge housing when reinstalling the door.

## Removing the door inner glass

The inner glass panel of the oven door can be removed for cleaning.

1. Open the oven door.



- 1 Screw
  - 2 Plastic profile
  - 3 Inner glass pane
  - 4 Plastic slot
2. Take out the screw(1) with a screwdriver
  3. Take out the profile (2) then hold up to inner glass (3).
  4. Then group the door again, put the glass pane (3) to the plastic slots (4) and group the profile.

## Replacing the oven lamp



### DANGER:

Before replacing the oven lamp, make sure that the product is disconnected from mains and cooled down in order to avoid the risk of an electrical shock.  
Hot surfaces may cause burns!



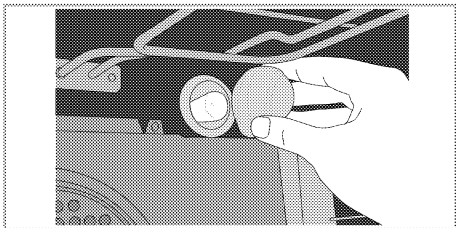
The oven lamp is a special electric light bulb that can resist up to 300 °C. See *Technical specifications, page 11* for details. Oven lamps can be obtained from Authorised Service Agents or technician with licence.



Position of lamp might vary from the figure.

## If your oven is equipped with a round lamp:

1. Disconnect the product from mains.
2. Turn the glass cover counter clockwise to remove it.



3. Remove the oven lamp by turning it counter clockwise and replace it with the new one.
4. Install the glass cover.

## 8 Troubleshooting

### **Oven emits steam when it is in use.**

- It is normal that steam escapes during operation. >>> *This is not a fault.*

### **Product emits metal noises while heating and cooling.**

- When the metal parts are heated, they may expand and cause noise. >>> *This is not a fault.*

### **Product does not operate.**

- The mains fuse is defective or has tripped. >>> *Check fuses in the fuse box. If necessary, replace or reset them.*
- Product is not plugged into the (grounded) socket. >>> *Check the plug connection.*

### **Oven light does not work.**

- Oven lamp is defective. >>> *Replace oven lamp.*
- Power is cut. >>> *Check if there is power. Check the fuses in the fuse box. If necessary, replace or reset the fuses.*

### **Oven does not heat.**

- Function and/or Temperature are not set. >>> *Set the function and the temperature with the Function and/or Temperature knob/key.*
- In models equipped with a timer, the timer is not adjusted. >>> *Adjust the time.*  
(In products with microwave oven, timer controls only microwave oven.)
- Power is cut. >>> *Check if there is power. Check the fuses in the fuse box. If necessary, replace or reset the fuses.*

### **There is no ignition spark.**

- No current. >>> *Check fuses in the fuse box.*
- Time is not set. >>> *Set the time.*

### **There is no gas.**

- Main gas valve is closed. >>> *Open gas valve.*
- Gas pipe is bent. >>> *Install gas pipe properly.*

### **Burners are not burning properly or at all.**

- Burners are dirty. >>> *Clean burner components.*
- Burners are wet. >>> *Dry the burner components.*
- Burner cap is not mounted safely. >>> *Mount the burner cap properly.*
- Gas valve is closed. >>> *Open gas valve.*
- Gas cylinder is empty (when using LPG). >>> *Replace gas cylinder.*

### **(In models with timer) Clock display is blinking or clock symbol is on.**

- A previous power outage has occurred. >>> *Adjust the time / Switch of the product and switch it on again.*



Consult the Authorised Service Agent or technician with licence or the dealer where you have purchased the product if you can not remedy the trouble although you have implemented the instructions in this section. Never attempt to repair a defective product yourself.

Arcelik A.S.  
Karaağaç Caddesi No:2-6 Sütlüce, 34445, Turkey  
Made in TURKEY  
Importer in Russia: «BEKO LLC»  
Address: Selskaya street, 49, Fedorovskoe village, Pershinskoe rural settlement, Kirzhach district, Vladimir region, Russian Federation 601021

The manufacture date is included in the serial number of a product specified on rating label, which is located on a product, namely: first two figures of serial number indicate the year of manufacture, and last two – the month.

For example, "10- 100001-05» indicates that the product was produced in May, 2010.

You can ask for certification number from our Call Center 8-800-200-23-56 The manufacturer reserves the right for making changes in modification, design and specification of an electric device.



## Будь ласка, спочатку прочитайте посібник користувача!

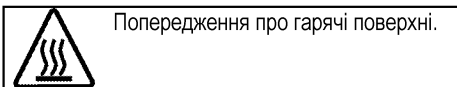
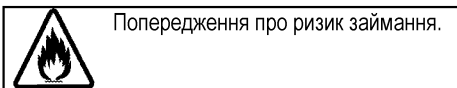
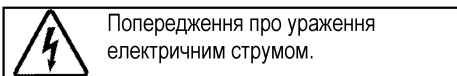
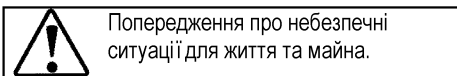
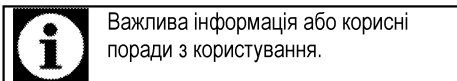
Шановний покупець!

Дякуємо за те, що надали перевагу продукції компанії «Веко». Сподіваємося, що цей високоякісний виріб, виготовлений із застосуванням найсучасніших технологій, продемонструватиме найкращі результати експлуатації. Для цього рекомендуємо вам прочитати весь посібник користувача та всю супровідну документацію, перш ніж користуватися виробом, і зберегти їх для майбутнього використання в довідкових цілях. Якщо ви передаєте комусь прилад, передайте й посібник користувача. Дотримуйтеся всіх попереджень й інформації, які містяться в посібнику користувача.

Зверніть увагу, що цей посібник також може бути дійсним для інших моделей. У ньому буде чітко вказано розбіжності між моделями.

### Пояснення до символів

У цьому посібнику користувача використано такі символи:



**Arçelik A.Ş.**  
Karaağaç caddesi No:2-6  
34445 Sülüce/Istanbul/TURKEY  
Made in TURKEY

**1 Важливі інструкції та попередження з техніки безпеки й охорони навколишнього середовища 4**

Загальні правила техніки безпеки .....	4
Правила техніки безпеки для газових пристроїв .....	4
Електрична безпека .....	6
Безпека виробу .....	7
Призначення .....	9
Захист дітей .....	9
Утилізація старого приладу .....	10
Утилізація пакувальних матеріалів .....	10

**2 Загальна Інформація 11**

Огляд .....	11
Вміст упаковки .....	12
Технічні характеристики .....	12
Таблиця інжекторів .....	13

**3 Установка 14**

До початку установки .....	14
Установка та підключення .....	15
Перехід на інший тип газу .....	17
Утилізація старого приладу .....	18

**4 Підготовка 19**

Поради щодо збереження електроенергії .....	19
Початок використання .....	19
Початкове очищення виробу .....	19
Перше розігрівання .....	19

**5 Правила експлуатації варильної панелі 21**

Загальна інформація щодо приготування .....	21
Використання варильних панелей .....	21

**6 Використання духовки 23**

Загальна інформація щодо запікання, смаження та приготування на грилі .....	23
Використання електричної духової шафи .....	24
Робочі режими .....	24
Користування годинником духової шафи .....	25
Таблиця часу приготування .....	26
Використання гриля .....	27
Таблиця часу приготування на грилі .....	27

**7 Догляд і технічне обслуговування 28**

Загальна інформація .....	28
Чистка варильної панелі .....	28
Очищення панелі управління .....	28
Очищення духовки .....	28
Демонтаж дверцят духової шафи .....	29
Виймання внутрішнього скла дверцят .....	29
Заміна лампи освітлення духової шафи .....	30

**8 Пошук та усунення несправностей 31**

## **1 Важливі інструкції та попередження з техніки безпеки й охорони навколишнього середовища**

У цьому розділі наведені правила техніки безпеки, які допоможуть уникнути ризику травмування та пошкодження. При недотриманні цих правил усі гарантійні зобов'язання буде анульовано.

### **Загальні правила техніки безпеки**

- Цей виріб можуть експлуатувати діти, старші за 8 років, і люди з обмеженими фізичними, сенсорними та розумовими здібностями, а також особи, що не мають достатнього досвіду та знань, лише за умов перебування під наглядом осіб, відповідальних за їхню безпеку, чи під їхнім керівництвом стосовно безпечного користування виробом і розуміння можливих ризиків. Слідкуйте за тим, щоб діти не грали з виробом. Діти можуть чистити й обслуговувати виріб лише під наглядом.
- Не встановлюйте виріб на килимовому покритті. Недостатня вентиляція під днищем може спричинити перегрів електричних деталей. і проблеми в роботі виробу.

- Роботи зі встановлення й ремонту мають виконувати лише представники авторизованої сервісної служби. Виробник не несе відповідальності за шкоду, заподіяну внаслідок виконання робіт особами, які на це не уповноважені. Це також може призвести до анулювання гарантії. Перед встановленням уважно прочитайте інструкції.
- Не користуйтеся виробом, якщо він несправний чи має видимі ознаки пошкодження.
- Перевіряйте, щоб щоразу після використання перемикачі функцій були вимкнені.

### **Правила техніки безпеки для газових пристроїв**

- Усі роботи з газовим обладнанням та системами має проводити тільки авторизований кваліфікований персонал.
- Перед встановленням переконайтеся в дотриманні умов місцевої розподільної системи (тиск газу й тип газу) та умов регулювання пристрою.
- Цей пристрій не під'єднується до обладнання для видалення продуктів горіння. Його слід



- встановлювати та під'єднувати відповідно до поточних нормативів зі встановлення. Особливу увагу слід приділити відповідним вимогам щодо вентиляції; див. *До початку установки, стор. 14*
  - Робота газової плити веде до утворення тепла, вологи та продуктів згоряння у приміщенні, де вона встановлена. Забезпечте достатню вентиляцію кухні, особливо під час використання приладу: залиште відкритими отвори природної вентиляції або встановіть механічний вентиляційний пристрій (ковпак механічної витяжки). У разі тривалої експлуатації пристрою може знадобитися додаткова вентиляція, наприклад, збільшення рівня потужності механічної вентиляції, якщо така є».
  - Слід проводити регулярну перевірку роботи газових пристроїв і систем. Регулятор, шланг і його затискач слід перевіряти регулярно й замінювати в терміни, рекомендовані виробником, чи в разі виникнення потреби.
  - Регулярно чистіть газові конфорки. Полум'я має бути блакитним і рівномірним.
  - Для газових пристроїв необхідне хороше згоряння газу. У випадку неповного згоряння може утворюватися окис вуглецю (CO). Окис вуглецю – це дуже токсичний газ без запаху та кольору, який навіть у малих дозах може призвести до смерті.
  - Зверніться до постачальника газу для отримання відомостей про телефонні номери аварійної служби газу та заходи безпеки у разі появи запаху газу.
- Заходи у разі появи запаху газу**
- Не використовуйте відкрите полум'я і не паліть. Не використовуйте електричні вимикачі (наприклад, вимикач світла, дверний дзвінок тощо) Не користуйтеся стаціонарним чи мобільним телефоном. Ризик вибуху й отруєння газом!
  - Закрийте всі крани на газових пристроях і лічильниках газу.
  - Відчиніть двері та вікна.
  - Перевірте всі труби та надійність всіх з'єднань. Якщо запах газу не зникає, вийдіть з помешкання.
  - Попередьте сусідів.
  - Зателефонуйте до пожежної служби. Скористайтеся телефоном за межами будинку.

- Не заходьте до помешкання, доки вам не повідомлять, що це безпечно.

### **Електрична безпека**

- У разі несправності виробу слід припинити його експлуатацію, поки виріб не буде відремонтовано в авторизованому сервісному центрі. Існує ризик ураження електричним струмом!
- Підключайте виріб лише до розетки/лінії із заземленням, напруга та рівень захисту якої відповідають значенням, вказаним в таблиці технічних характеристик. У разі використання з трансформатором чи без нього переконайтеся у наявності заземлення, виконаного кваліфікованим електриком. Наша компанія не несе відповідальності за будь-які проблеми, що виникли внаслідок використання виробу без заземлення, виконаного відповідно до місцевих норм і правил.
- Суворо заборонено лити воду на виріб під час миття! Існує ризик ураження електричним струмом!
- Суворо заборонено торкатися штепсельної вилки виробу мокрими руками! Не тягніть за кабель; щоб відключити виріб від розетки, беріться за штепсельну вилку.
- Під час робіт зі встановлення, обслуговування, чистки й ремонту виріб слід обов'язково від'єднати від електромережі.
- Для запобігання нещасним випадкам, якщо шнур живлення пошкоджений, його має замінити виробник, його спеціаліст з сервісу чи інші особи, котрі мають аналогічну кваліфікацію.
- Пристрій слід встановити таким чином, щоб його можна було повністю від'єднати від мережі. Від'єднання має виконуватися за допомогою штепсельної вилки чи вимикача, вбудованого у стаціонарну електричну мережу із дотриманням відповідних будівельних норм і правил.
- Під час використання задня поверхня духової шафи нагрівається. Стежте за тим, щоб газові шланги й електричні дроти не торкалися задньої стінки, оскільки це може спричинити їхнє пошкодження.
- Стежте за тим, щоб шнур живлення не було затиснуто між рамою та дверцятами

- духової шафи, й не прокладайте його гарячими поверхнями. У разі недотримання цієї вимоги ізоляція кабелів може розплавитися і спричинити пожежу в результаті короткого замикання.
- Усі роботи з електричним обладнанням та системами має проводити лише уповноважений і кваліфікований персонал.
  - У разі пошкодження вимкніть пристрій і від'єднайте його від мережі електропостачання. Для цього вимкніть домашній запобіжник.
  - Переконайтеся, що номінальні параметри запобіжника відповідають характеристикам виробу.

### **Безпека виробу**

- Цей прилад і його зовнішні деталі під час роботи нагріваються. Будьте обережні й не торкайтеся нагрітих частин. За дітьми до 8 років треба постійно наглядати й не допускати їх до приладу.
- Не користуйтеся виробом під впливом алкоголю й/або лікарських засобів, які погіршують кмітливість і координацію рухів.

- Будьте обережні, коли додаєте до страв алкогольні напої. Спирт випаровується за високої температури і може призвести до пожежі, зайнявшись після контакту з гарячими поверхнями.
- Перевірте, щоб поруч із пристроєм не було легкозаймистих матеріалів, оскільки бічні поверхні можуть сильно нагріватися під час роботи.
- Під час використання пристрій нагрівається. Будьте обережні й не торкайтеся нагрітих частин всередині духової шафи.
- Усі вентиляційні отвори мають бути відкриті.
- Не нагрівайте в духовій шафі закриті контейнери та скляні банки. Тиск всередині контейнера чи банки може призвести до їх вибухання.
- Не можна ставити дека для випічки, тарілки або розміщувати алюмінієву фольгу безпосередньо на нижній поверхні духової шафи. Тепло, що акумулюється, може пошкодити нижню частину духової шафи.
- Для чищення скляних дверцят духової шафи не користуйтеся грубими абразивними

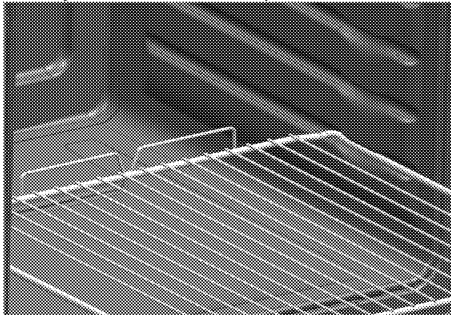
засобами для чищення чи гострими металевими шкребками, щоб не подряпати поверхню, що може призвести до руйнування скла.

- Не використовуйте для чищення парові пристрої, бо це може призвести до ураження електричним струмом.

- **Правильне розташування решітчастої полиці й дека на решітчастих напрямних**

Важливо правильно встановити решітчасту полицю й/або деку на напрямній.

Посуньте решітчасту полицю чи деку між 2 напрямними й, перш ніж ставити продукти, переконайтеся у їхньому стійкому положенні (див. наступний малюнок).



- Не користуйтеся духовою шафою, якщо скло передніх дверцят зняте чи тріснуло.
- Ручка духової шафи не призначена для сушіння рушників. Якщо функцію грилю ввімкнено, а дверцята

відчинено, не вішайте рушників, рукавичок й інших текстильних виробів.

- Для встановлення й виймання страв з нагрітої духової шафи користуйтеся спеціальними термостійкими рукавицями.
- Перш ніж міняти лампочку, переконайтеся, що пристрій вимкнено, щоб уникнути ураження електричним струмом.
- Не закривайте верхню кришку, поки електроконфорки чи конфорки не охолонуть. Перш ніж відкрити верхню кришку, витріть її насухо, щоб вода не потрапила на задні та внутрішні частини духової шафи.
- Під час приготування їжі з жиром чи олією не залишайте варильну панель без нагляду, оскільки це може призвести до пожежі. Категорично **ЗАБОРОНЕНО** використовувати воду для гасіння полум'я; натомість слід вимкнути пристрій і накрити вогонь кришкою чи протипожежним покриттям.
- Пожежна небезпека: не зберігайте речі на варильних поверхнях.

Для забезпечення пожежної безпеки виробу слід

дотримуватися нижчезазначених вимог.

- Переконайтеся, що штепсельна вилка щільно вставлена в розетку та не іскрить.
- Не користуйтеся пошкодженим чи обрізаним кабелем або подовжувачем; слід використовувати лише оригінальний кабель.
- Переконайтеся, що в розетці, до якої підключено виріб, немає рідини чи вологи.
- Переконайтеся, що газ підключено належним чином, щоб уникнути витoku газу.

### Призначення

- Прилад призначений для домашнього використання. Використання з комерційною метою є неприпустимим.
- Цей прилад призначений тільки для приготування їжі. Його не можна використовувати для інших цілей, наприклад, для обігріву приміщення."
- Прилад не слід використовувати з метою нагрівання тарілок під грилем, розвішування серветок і посудних рушників на ручках, сушіння й нагрівання.

- Виробник не несе відповідальності за будь-які збитки, спричинені неправильним використанням або помилками експлуатації.
- Духову шафу можна використовувати для розморожування, випічки та смаження на грилі.

### Захист дітей

- Доступні частини можуть нагріватися під час використання. Не допускайте дітей до приладу.
- Пакувальні матеріали можуть становити небезпеку для дітей. Зберігайте пакувальні матеріали у місцях, недоступних для дітей. Всі компоненти упаковки слід утилізувати відповідно до екологічних стандартів.
- Електричне й газове обладнання становить загрозу для дітей. Під час роботи приладу не допускайте до нього дітей та не дозволяйте дітям гратися з ним.
- Не зберігайте над приладом речі, які можуть дістати діти.
- **Не** ставте на відчинені дверцята важкі речі та **не** дозволяйте дітям сідати на дверцята. Це може спричинити

перекидання приладу або пошкодження петель дверцят.

## Утилізація старого приладу

**Відповідність Директиві щодо відпрацьованого електричного й електронного обладнання (Директива WEEE) й утилізація відходів**



Цей виріб відповідає вимогам Директиви WEEE (2012/19/EU).

Цей виріб позначений символом приналежності до категорії відходів електричного й електронного обладнання (WEEE).

Цей виріб виготовлений з високоякісних деталей та матеріалів, які підлягають повторному використанню й переробці. Після закінчення терміну експлуатації цей виріб не можна викидати разом зі звичайними побутовими відходами. Його слід здати у відповідний пункт збору відходів електричного й електронного обладнання як вторинної сировини. Інформацію про місцезнаходження найближчого пункту збору відходів

можна отримати в місцевих органах влади.

## Відповідність Директиві щодо обмеження використанням шкідливих речовин (RoHS)

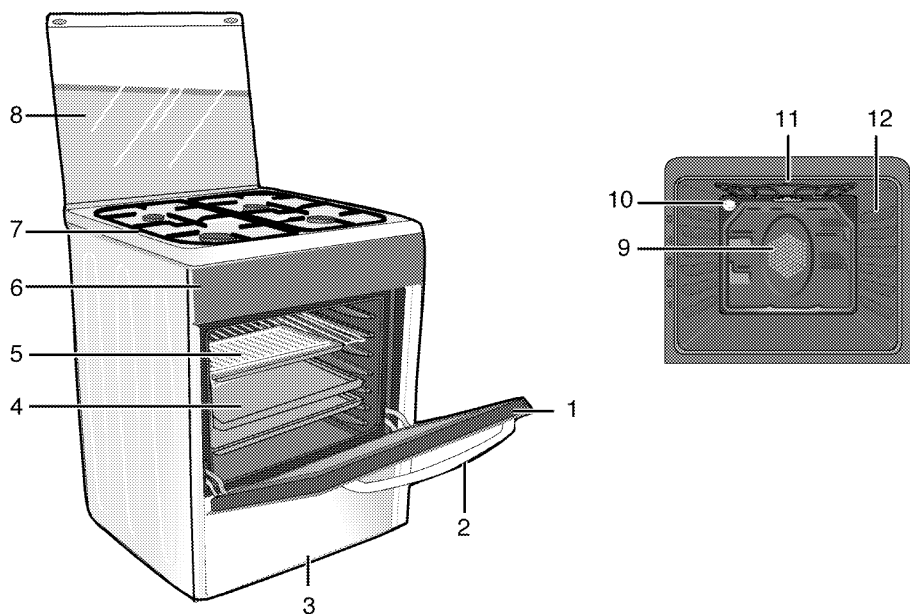
Цей виріб відповідає вимогам Директиви RoHS (2011/65/EU). Він не містить шкідливих та інших речовин, використання яких заборонено цією Директивою.

## Утилізація пакувальних матеріалів

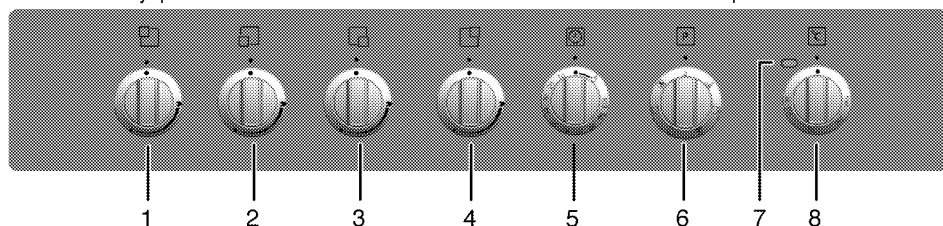
- Пакувальні матеріали становлять загрозу для дітей. Зберігайте пакувальні матеріали в безпечному й недоступному для дітей місці. Пакувальні матеріали для приладу виготовлені з матеріалів, які підлягають вторинній переробці. Правильно утилізуйте їх і сортуйте відповідно до вказівок стосовно відходів, які підлягають переробці. Не викидайте їх разом зі звичайними побутовими відходами.

## 2 Загальна Інформація

### Огляд



- |   |                   |    |   |
|---|-------------------|----|---|
| 1 | Передні дверцята  | 7  | Панель пальника                         |
| 2 | Ручка             | 8  | Верхня кришка                           |
| 3 | Нижня частина     | 9  | Двигун вентилятора (за сталевим листом) |
| 4 | Деко              | 10 | Лампочка                                |
| 5 | Полиця-решітка    | 11 | Нагрівальний елемент гриля              |
| 6 | Панель управління | 12 | Положення полиць                        |



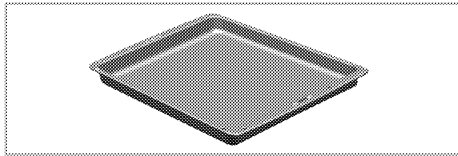
- |   |   |
|---|---|
| 1 | Нормальний пальник Задній лівий               |
| 2 | Пальник додаткового нагрівання Передній лівий |
| 3 | Додатковий пальник Передній правий            |
| 4 | Нормальний пальник Задній правий              |
| 5 | Механічний таймер                             |
| 6 | Ручка вибору функції                          |
| 7 | Лампочка термостата                           |
| 8 | Ручка термостата                              |

## Вміст упаковки



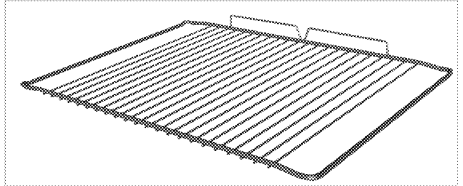
Акcesуари, що входять до комплекту постачання, залежать від моделі виробу. Комплект постачання вашого виробу може містити не всі акcesуари, описані в цьому посібнику користувача.

1. **Посібник користувача**
2. **Деко духової шафи**  
Для випічки, замороженої їжі та великих шматків м'яса.



### 3. Решітчаста полиця

Для смаження, а також розміщення продуктів при випіканні, смаженні чи приготуванні запіканок на потрібній полиці.



## Технічні характеристики

### ЗАГАЛЬНІ ВІДОМОСТІ

Зовнішні габарити (висота/ширина/глибина)	850 мм/500 мм/600 мм
Напруга/частота	220-240 В ~ 50 Гц
Загальне споживання електроенергії	2.0 кВт
Запобіжник	мін. 16 А
Тип кабелю/переріз	H05VV-FG 3 x 1 мм <sup>2</sup>
Довжина кабелю	макс. 2 м
Категорія газового приладу	cat II 2H3B/P
Тип/тиск газу	NG G 20/20 мбар
Загальне споживання газу	7.9 кВт
Перехід на тип/тиск газу <sup>s</sup>	NG G 20/13 мбар
– додатково	NG G 20/10мбар - LPG G 30/30мбар

### Варильна поверхня

#### Конфорки

Задній лівий	<b>Нормальний пальник</b>
Живлення	2 кВт
Передній лівий	<b>Пальник додаткового нагрівання</b>
Живлення	2.9 кВт
Передній правий	<b>Додатковий пальник</b>
Живлення	1 кВт
Задній правий	<b>Нормальний пальник</b>
Живлення	2 кВт


### ДУХОВА ШАФА/ГРИЛЬ


Головна духова шафа	<b>Використання вентилятора</b>
Лампа внутрішнього освітлення	15-25 Вт
Енергоспоживання гриля	1.6 кВт




#Базове: інформацію на таблиці з енергетичними даними електричних духових шаф наведено відповідно до стандарту EN 60350-1 / IEC 60350-1. Ці дані визначено за умови стандартного навантаження з функціями нижнього-верхнього нагрівального елемента чи нагрівання за допомогою вентилятора (за наявності).

Клас енергопостачання визначено відповідно до такої пріоритетності залежно від наявності чи відсутності відповідних функцій у виробі. 1 – Приготування з вентилятором – економічний режим, 2 – Повільне приготування в турборежимі, 3 – Приготування в турборежимі, 4 – Нагрівання зверху та знизу з вентилятором, 5 – Нагрівання зверху та знизу.

 З метою удосконалення якості продукції технічні характеристики приладу можуть бути змінені без попереднього повідомлення.

 Малюнки в цьому посібнику є схематичними і можуть не відповідати вашому виробі.

 Значення, наведені на таблицях машини та в супровідній документації, отримані в лабораторних умовах згідно з відповідними стандартами. Залежно від умов експлуатації та навколишнього середовища ці значення можуть змінюватися.

## Таблиця інжекторів

Розташування зони варильної панелі	2 кВт Задній лівий	2.9 кВт Передній лівий	1 кВт Передній правий	2 кВт Задній правий
Тип/тиск газу				
G 20/10 мбар	125	155	90	125
G 20/13 мбар	116	145	84	116
G 20/20 мбар	103	115	72	103
G 30/28-30 мбар	72	87	50	72

### 3 Установка

Пристрій має встановити кваліфікований спеціаліст відповідно до чинних нормативів. В іншому разі, гарантію буде анульовано. Виробник не несе відповідальності за шкоду, заподіяну внаслідок виконання робіт особами, які на це не уповноважені. Це може призвести до анулювання гарантії.



Покупець відповідальний за підготовку місця для установки й виконання електричних і газових з'єднань.



#### НЕБЕЗПЕЧНО:

Прилад слід встановити відповідно до всіх місцевих норм з питань газового й/або електричного обладнання.



#### НЕБЕЗПЕЧНО:

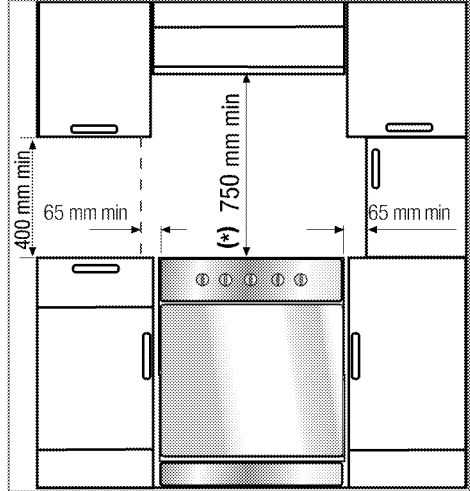
Перед установкою огляньте прилад на наявність дефектів. Якщо такі є, не встановлюйте його.

Пошкоджені прилади можуть становити загрозу для вашої безпеки.

### До початку установки

Аби забезпечити наявність необхідних проміжків для циркуляції повітря під пристроєм, рекомендуємо встановлювати його на твердій поверхні так, щоб ніжки не занурювалися в килим або м'яке підлогове покриття.

Кухонна підлога має витримати вагу пристрою з урахуванням додаткової ваги посуду для приготування та страв.

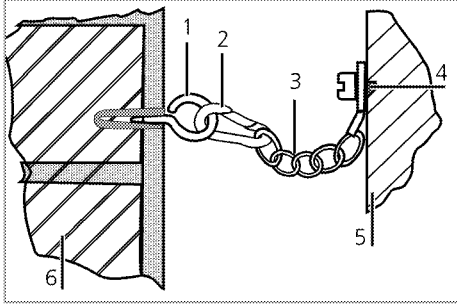


- Її можна використовувати разом із кухонними шафами по обидва боки, проте необхідно залишити щонайменше 400 мм вільного простору над рівнем конфорок, а також щонайменше 65 мм вільного простору між духовкою і стінкою, перегородкою або високою кухонною шафою.
- Крім того, духовка може стояти окремо. Забезпечте вільний простір щонайменше 750 мм від поверхні духовки до поверхонь над нею.
- За необхідності установка надплитного очисника повітря дотримуйтеся інструкцій його виробника щодо висоти монтажу пристрою (мін. 650 мм).
- Пристрій належить до класу 1, отже, його можна встановлювати так, щоб задня поверхня й **одна** з бічних сторін сусідили з кухонними стінами, меблями чи обладнанням будь-якого розміру. Кухонні меблі чи обладнання з **іншого** боку мають дорівнювати духовій шафі за розміром чи бути меншими.
- Кухонні меблі, розташовані поряд із пристроєм, мають бути термостійкими (витримувати температуру щонайменше 100 °C).

## Запобіжний ланцюжок

Щоб запобігти падінню приладу в разі порушення рівноваги, прикріпіть його двома запобіжними ланцюжками, які входять до комплекту постачання.

Прикріпіть гачок (1) до стіни кухні (6), використовуючи відповідний дюбель, і приєднайте запобіжний ланцюжок (3) до гачка за допомогою фіксатора (2).



- 1 Гачок для приєднання ланцюжка
- 2 Фіксатор
- 3 Запобіжний ланцюжок
- 4 Надійно прикріпіть ланцюжок до задньої стінки приладу
- 5 Задня стінка приладу
- 6 Стіна кухні



Щоб запобігти нахилу плити вперед, вбік чи навкіс, запобіжний ланцюжок має бути якомога коротшим.

Запобіжний ланцюжок для кухонних плит, не оснащених гніздом для встановлення скоби.

## Вентиляція приміщення

У приміщенні має бути вікно, яке можна відчинити, а в деяких приміщеннях також необхідна наявність постійної вентиляції. Забір повітря для процесу горіння відбувається в приміщенні, й газу, що виходить, виділяються безпосередньо в приміщення.

Гарна вентиляція приміщення – необхідна умова безпечної роботи пристрою. Якщо в приміщенні немає вікна чи дверей, слід встановити додаткову систему вентиляції. Пристрій можна встановлювати в кухні, в кухні-ідалній та житловій кімнаті, але не в

приміщенні з ванною та душем. Пристрій заборонено встановлювати в житловій кімнаті площею менше за 20 м<sup>2</sup>.<sup>3</sup>

Не встановлюйте пристрій в приміщенні, нижчому за рівень поверхні, якщо воно не виходить на рівень поверхні щонайменше однією стороною.

Розмір приміщення	Вентиляційний отвір
менший за 5 м <sup>3</sup>	мін. 100 см <sup>2</sup>
5 м <sup>3</sup> до 10 м <sup>3</sup>	мін. 50 см <sup>2</sup>
більший за 10 м <sup>3</sup> /ден	не потрібно
У підвалі чи в сокелі	мін. 65 см <sup>2</sup>

## Установка та підключення

Виріб слід встановлювати й під'єднувати відповідно до затверджених правил установки.



Не встановлюйте пристрій поряд з холодильниками чи морозильниками. Тепло, випромінюване пристроєм, може призвести до зростання енергоспоживання охолоджувального обладнання.

- Виріб мають переносити щонайменше двоє людей.
- Виріб слід встановлювати безпосередньо на підлозі, а не на підставці чи стійці.



Не підіймайте й не пересувайте пристрій за дверцята чи ручку. Дверцята, ручка чи завіси можуть пошкодитися.

## Електричне з'єднання

Підключіть прилад до розетки/лінії із заземленням, захищеної плавким запобіжником відповідної ємності, як вказано в таблиці технічних характеристик. У разі використання з трансформатором чи без нього переконайтеся у наявності заземлення, виконаного кваліфікованим електриком. Наша компанія не несе відповідальності за збитки внаслідок використання приладу без заземлення відповідно до місцевих норм і правил.

**НЕБЕЗПЕЧНО:**

Підключення пристрою до джерела електроживлення має виконувати тільки авторизований кваліфікований персонал. Гарантійний період починається тільки після правильного установки.

Виробник не несе відповідальності за шкоду, заподіяну внаслідок виконання робіт особами, які на це не уповноважені.

**НЕБЕЗПЕЧНО:**

Шнур живлення не можна затискати або згинати; він не повинен контактувати з гарячими частинами пристрою. Заміну пошкодженого шнура живлення має виконувати кваліфікований електрик. В іншому разі існує ризик ураження електричним струмом, короткого замикання чи пожежі!

Показники щодо мережі живлення мають відповідати даним у паспортній табличці виробу. Залежно від типу пристрою паспортна табличка впадає в око після відчинення дверцят або відкривання нижньої кришки чи знаходиться на його задній стінці. Кабель електроживлення вашого пристрою має відповідати значенням у таблиці технічних характеристик.



Після установки пристрою кабель електроживлення має бути легко досяжним (проте його не слід розташовувати над варильною панеллю).

**НЕБЕЗПЕЧНО:**

Перш ніж розпочинати будь-які роботи зі установки електричного обладнання, відключіть виріб від мережі електроживлення. Існує ризик ураження електричним струмом!

Вставте штепсельну вилку кабеля електроживлення в розетку.

**Підключення газу****НЕБЕЗПЕЧНО:**

Відключення пристрою до електричної мережі має виконувати тільки уповноважений кваліфікований працівник.

Ризик вибуху чи отруєння газом через некваліфікований ремонт!

Виробник не несе відповідальності за шкоду, заподіяну внаслідок виконання робіт особами, які на це не уповноважені.

**НЕБЕЗПЕЧНО:**

Перш ніж розпочинати будь-які роботи зі установки газового обладнання, перекрийте постачання газу. Існує ризик вибуху!

- Умови та значення налаштування газопостачання наведені в інформаційних табличках (або в таблиці з позначенням типу іону).



На ваш виріб може подаватися природний газ (NG).

- Під'єднання природного газу слід виконати перед установкою пристрою.
- На виході системи подачі природного газу має знаходитися гнучка трубка, кінчик якої має бути закритий заглушкою. Під час процедури підключення представник сервісної служби зніме заглушку і під'єднає пристрій за допомогою відповідного з'єднувача (муфти).
- Упевніться, що вентиль подачі природного газу досяжний.
- У разі необхідності використання пристрою з іншим типом газу проконсультуйтеся зі співробітниками авторизованої сервісної служби щодо відповідної процедури переходу на інший тип газу.



### НЕБЕЗПЕЧНО:

Газовий шланг не можна затискати або згинати; він не повинен контактувати з гарячими частинами пристрою. Існує ризик вибуху через пошкоджений газовий шланг.

- Посуньте пристрій до кухонної стіни.
- **Регулювання ніжок духової шафи**  
Через вібрації під час використання посуд може рухатися. Цієї небезпечної ситуації можна уникнути, якщо пристрій вирівняно та збалансовано. Для гарантування безпеки вирівняйте пристрій, відрегулювавши чотири нижні ніжки, повертаючи їх праворуч або ліворуч, і сумістивши рівень з робочою поверхнею.

### Остання перевірка

1. Перевірте роботу електричних функцій.
2. Відкрийте вентиль подачі газу.
3. Перевірте надійність усіх з'єднань.
4. Запаліть конфорки й перевірте на появу полум'я.



Полум'я має бути блакитним і мати звичайну форму. Якщо полум'я жовтішає, перевірте правильність положення кришки конфорки або очистіть конфорку.

### Перехід на інший тип газу



### НЕБЕЗПЕЧНО:

Перш ніж розпочинати будь-які роботи зі установки газового обладнання, перекрийте постачання газу. Існує ризик вибуху!

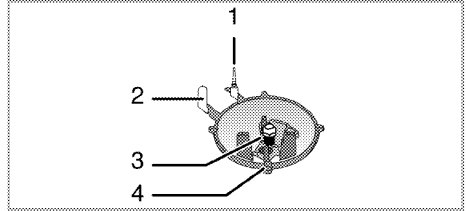
Щоб перевести пристрій на інший тип газу, замініть усі інжектори і виконайте регулювання полум'я на всіх клапанах у положенні мінімальної подачі газу.

### Заміна інжекторів для конфорок

1. Зніміть кришку та корпус конфорки.
2. Вигвинтіть інжектори, повертаючи проти годинникової стрілки.
3. Встановіть нові інжектори.
4. Перевірте надійність всіх з'єднань.



Розташування нових інжекторів показано на упаковці чи в таблиці *Таблиця інжекторів, стор. 13.*



- 1 Запобіжник гасіння (залежно від моделі)
- 2 Запальна свічка
- 3 Інжектор
- 4 Конфорка



Не намагайтеся витягти вентилі газових конфорок, за винятком аномальних умов. Для заміни вентилів слід звернутися до авторизованої сервісної служби.

### Встановлення мінімального потоку газу для вентилів варильної панелі

1. Запаліть конфорку, яку слід відрегулювати, і, повернувши ручку, зменшіть горіння до мінімуму.
2. Зніміть ручку регулятора з крана подачі газу.
3. До гвинта регулювання подачі газу застосовуйте викрутку відповідного розміру.

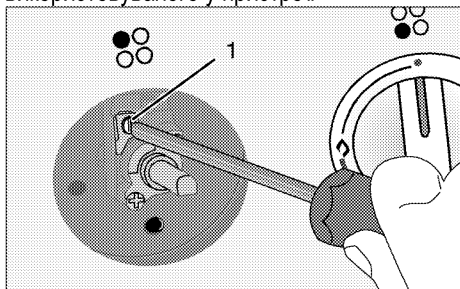
Для скрапленого нафтового газу (бутан-пропан) слід повернути гвинт за годинниковою стрілкою. Для природного газу слід один раз повернути гвинт **проти годинникової стрілки**.

» Нормальна висота прямого полум'я у положенні мінімального потоку має становити 6-7 мм.

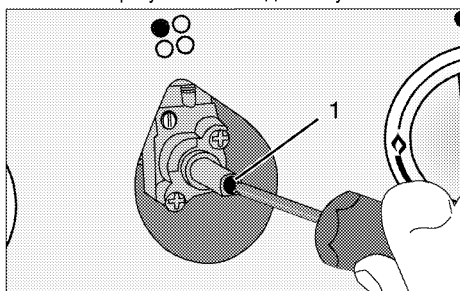
4. Якщо полум'я вище, поверніть гвинт за годинниковою стрілкою в потрібне положення, якщо нижче – поверніть у зворотному напрямку.
5. Насамкінець для контролю переведіть конфорку на високе полум'я, далі – на

мінімальний потік і перевірте, чи горить полум'я.

Положення гвинта регулювання подачі залежить від типу крана подачі газу, використовуваного у пристрої.



1 Гвинт регулювання подачі газу



1 Гвинт регулювання подачі газу

**i** Якщо тип газу для пристрою змінено, також слід замінити паспортну табличку, на якій зазначено тип газу, використовуваний пристроєм.

## Утилізація старого приладу

- Збережіть оригінальну упаковку приладу й перевозьте прилад у ній. Дотримуйтеся вказівок, зазначених на упаковці. Якщо оригінальна упаковка не збереглася, обгорніть пристрій пухирчастим поліетиленом або товстим картоном і надійно заклейте стрічкою.
- Щоб запобігти пошкодженню дверцят решітчастим грилем і деками, розмістіть шматок картону з внутрішнього боку дверцят духовки нарівні з деками. Прикріпіть дверцята духовки до бічних стінок клейкою стрічкою.
- Закріпіть кришки та підставки для каструль ізоляційною стрічкою.
- Не підіймайте й не пересувайте прилад за дверцята чи ручку.

**i** Не ставте на пристрій жодних предметів і не розташовуйте його вертикально.

**i** Перевірте загальний вигляд пристрою на можливі пошкодження під час транспортування.

## 4 Підготовка

### Поради щодо збереження електроенергії

Наведені нижче поради допоможуть використовувати пристрій, не завдаючи шкоди навколишньому середовищу та зберігаючи електроенергію:

- Користуйтеся темним чи емальованим посудом: це покращить передачу тепла.
- Під час приготування виконуйте процедуру розігрівання, якщо вона рекомендована у посібнику користувача чи рецепті.
- Під час приготування їжі не відчиняйте дверцята духової шафи занадто часто.
- Якщо це можливо, намагайтеся готувати в духовій шафі кілька страв одночасно. Ви можете готувати, розмістивши два контейнери з продуктами на решітчастому грилі.
- Готуйте одну страву за іншою, адже духові шафи вже розігріта.
- Для економії електроенергії можна вимкати духову шафу за кілька хвилин до завершення приготування страви. Не відчиняйте дверцята духової шафи.
- Розморозуйте заморожені продукти перед приготуванням.
- Використовуйте каструлі/сковорідки з кришками для приготування. Якщо кришки немає, енергоспоживання може зрости в 4 рази.
- Оберіть конфорку, що відповідає розміру використовуваної каструлі. Обирайте для страв каструлі правильного розміру. Більші каструлі потребують більше електроенергії.

### Початок використання Початкове очищення виробу



Деякі засоби для миття або матеріали для чищення можуть пошкодити поверхню.

Під час чищення не використовуйте агресивні засоби для миття, порошки/рідини для чищення або гострі предмети.

1. Видаліть всі пакувальні матеріали.
2. Протріть поверхні виробу вологою тканиною чи губкою, а потім витріть насухо.

### Перше розігрівання

Нагрівайте прилад протягом приблизно 30 хвилин, а потім вимкніть його. Таким чином буде випалено будь-які залишки речовин після виробництва або шари консервуючих речовин.



### ПОПЕРЕДЖЕННЯ!

Гарячі поверхні можуть стати причиною опіків!

Під час використання пристрій може нагріватися. Не торкайтеся гарячих конфорок, внутрішніх частин духової шафи, нагрівальних елементів тощо. Не допускайте дітей до пристрою. Для установки й виймання страв з нагрітої духової шафи користуйтеся спеціальними термостійкими рукавицями.

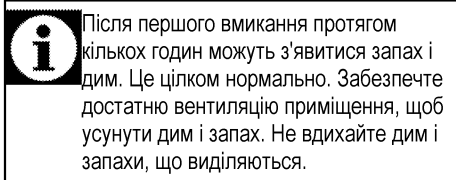
### Електрична духові шафа

1. Витягніть з духової шафи всі дека й решітчастий гриль.
2. Закрийте дверцята духової шафи.
3. Оберіть положення Static (Статичне).
4. Виберіть максимальне нагрівання для гриля; див. *Використання електричної духової шафи, стор. 24*.
5. Дайте духовій шафі попрацювати протягом 30 хвилин.
6. Вимкніть духову шафу; див. *Використання електричної духової шафи, стор. 24*.

### Духова шафа з грилем

1. Витягніть з духової шафи всі дека й решітчастий гриль.
2. Закрийте дверцята духової шафи.
3. Виберіть максимальне нагрівання для гриля; див. *Використання гриля, стор. 27*.
4. Дайте духовій шафі попрацювати протягом 30 хвилин.

5. Вимкніть гриль; див. *Використання гриля, стор. 27*





## 5 Правила експлуатації варильної панелі

### Загальна інформація щодо приготування



Не заповнюйте каструлю рослинною олією понад третину. Під час нагрівання олії не залишайте варильну панель без нагляду. Перегріта олія може спричинити пожежу. **Не намагайтеся загасити пожежу водою!** При займанні олії накрийте посуд ковдрою чи вологою тканиною. Якщо це безпечно, вимкніть варильну панель і зателефонуйте до пожежної служби.

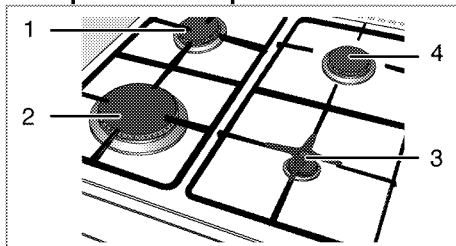
- Завжди ретельно висушуйте продукти перед смаженням й обережно опускайте їх у гарячу олію. Перед смаженням переконайтеся, що заморожені продукти цілком розморожені.
- Під час нагрівання олії не накривайте посуд кришкою.
- Розміщуйте сковорідки й каструлі так, аби їхні ручки не були розташовані над варильною панеллю для запобігання нагріванню. Не ставте на варильну панель нестійкий або здатний до перекидання посуд.
- Не ставте на увімкнені зони нагрівання порожній посуд і каструлі. Це може їх пошкодити.
- Використання зони нагрівання без посуду чи каструлі спричинить пошкодження приладу. Після завершення приготування вимкніть зони нагрівання.
- Оскільки поверхня приладу може бути гарячою, не ставте на неї пластиковий чи алюмінієвий посуд. У посуді з вищезгаданих матеріалів не варто зберігати й продукти.
- Використовуйте лише каструлі й посуд із плоским дном.

- Наповнюйте каструлі та сковорідки достатньою кількістю їжі. Таким чином ви запобігатимете проливанню страв і зайвому чищенню.  
Не кладіть на зони нагрівання кришки каструль або сковорідок.  
Розташовуйте каструлі по центру зони нагрівання. При бажанні перемістити каструлю на іншу зону нагрівання, замість посувати, підніміть і поставте її на потрібну зону.

### Приготування на газу

- Розмір посуду має відповідати обсягу газового полум'я. Налаштуйте полум'я так, аби воно не виходило за межі дна посуду, й розташуйте посуд по центру тримача.

### Використання варильних панелей



- 1 Нормальний пальник 18-20 см
- 2 Пальник додаткового нагрівання 22-24 см
- 3 Додатковий пальник 12-18 см
- 4 Нормальний пальник 18-20 см перелік рекомендованих діаметрів посуду для використання на відповідних конфорках.

Зображення великого полум'я відповідає максимальній потужності нагріву, маленького полум'я – мінімальній потужності. У положенні "вимкнено" (верхньому) подачу газу до пальників заблоковано.

### Запалювання газових пальників

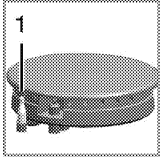
1. Утримуйте ручку управління пальником натиснутою.
2. Поверніть її проти годинникової стрілки й установіть на зображення великого полум'я.

» Газ запалюється іскрою, що видобувається.  
3. Відрегулюйте потужність полум'я.

### **Вимкання газових пальників**

Поверніть ручку зони нагрівання у вимкнене (верхнє) положення.

### **Запобіжна система вимкання газу (у моделях із термічним компонентом)**



1. Запобіжна система вимкання газу

Задля запобігання гасінню пальників через виливання рідини спрацьовує спеціальний механізм і перекриває подачу газу.

- Натисніть ручку всередину та поверніть проти годинникової стрілки, щоб запалити газ.
- Коли газ буде запалено, натисніть й утримуйте ручку протягом 3-5 секунд, аби увімкнути запобіжну систему.
- Якщо газ не буде запалено після того, як ви натиснете й відпустите ручку, повторіть процедуру, натиснувши й утримуючи ручку протягом 15 секунд.



#### **НЕБЕЗПЕЧНО:**

Якщо протягом 15 секунд запалення конфорки не відбулося, відпустіть кнопку. Повторіть спробу щонайменше через 1 хвилину. Існує ризик накопичення газу та вибуху!

## 6 Використання духовки

### Загальна інформація щодо запікання, смаження та приготування на грилі



#### ПОПЕРЕДЖЕННЯ!

Гарячі поверхні можуть стати причиною опіків!

Під час використання пристрій може нагріватися. Не торкайтеся гарячих конфорок, внутрішніх частин духової шафи, нагрівальних елементів тощо. Не допускайте дітей до пристрою.

Для установки й виймання страв з нагрітої духової шафи користуйтеся спеціальними термостійкими рукавицями.



#### НЕБЕЗПЕЧНО:

Будьте обережні, відчиняючи дверцята, оскільки назовні виходить пара.

Пара може обпалити вам руки, обличчя та/або очі.

#### Поради щодо запікання

- Використовуйте металевий посуд з покриттям, яке не пригорає, алюмінієві ємності чи термостійкі силіконові форми для випічки.
- Використовуйте місце на решітці найпродуктивнішим чином.
- Встановіть форму для випікання посередині решітки.
- Вибирайте правильне положення решітки перед увімкненням духової шафи чи гриля. Не змінюйте положення решітки, якщо духовка гаряча.
- Дверцята духовки мають бути зачинені.

#### Поради щодо смаження

- Такі приправи, як лимонний сік і чорний перець, покращать результат приготування цілого курчати, індички чи великого шматка м'яса.
- Приготування м'яса з кістками триватиме на 15-30 хвилин довше, ніж смаження м'яса аналогічного розміру без кісток.

- Дотримуйтеся розрахунку: 4-5 хвилин на сантиметр висоти м'яса.
- Після завершення часу приготування залиште м'ясо в духовці на 10 хвилин. Сік краще розподілиться по всій поверхні смаженини та не виділятиметься під час різання готової страви.
- Рибу у вогнетривкому посуді слід встановити на решітку на середньому чи низькому рівні.

#### Поради щодо приготування на грилі

Під час приготування на грилі м'ясо, риба та птиця швидко набувають коричневого відтінку та запашної скоринки й водночас не пересушуються. Плоскі шматки, м'ясо на рожні й сосиски, а також овочі зі значним вмістом води (наприклад, помідори й цибуля) призначені саме для приготування на грилі.

- Рівномірно розподіліть шматки для приготування на грилі на решітчастому грилі чи на піддоні для випікання з решітчастим грилем, аби вони не перевищували розмірів нагрівального елемента.
- Встановіть решітчастий гриль чи піддон для випікання в духовій шафі на потрібному рівні. Під час приготування на решітчастому грилі встановіть піддон для випікання на нижній решітці з метою збирання крапель жиру. Налийте у піддон для випікання трохи води для спрощення очищення.

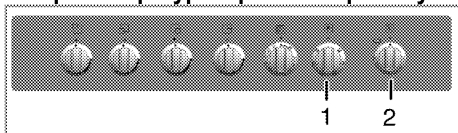


Продукти, непридатні для приготування на грилі, можуть спричинити займання. Для смаження на грилі використовуйте тільки їжу, призначену для смаження на грилі за умови високої температури.

Не розміщуйте продукти занадто близько до задньої частини гриля. Це найгарячіше місце, і жирна їжа може загорітися.

## Використання електричної духової шафи

### Вибір температури й робочого режиму



- 1 Ручка вибору функції
  - 2 Ручка термостата
1. На таймері духовки встановіть потрібний час приготування; див. *Користування годинником духової шафи, стор. 25.*
  2. Встановіть ручку регулювання температури на потрібне значення температури.
  3. Встановіть ручку вибору функції на потрібний робочий режим.  
» Духова шафа розігріється до встановленої температури й утримуватиме її. Під час нагрівання світиться температурний індикатор.

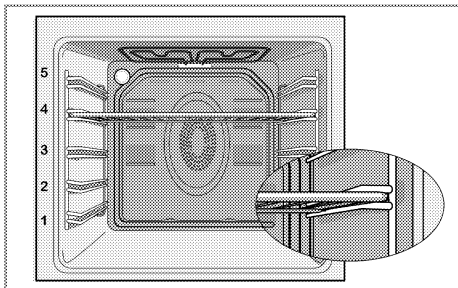
### Вимкнення електричної духової шафи

Встановіть таймер духовки в положення «вимкнуто».



Якщо таймер налаштовано на певний час, він вимкнеться автоматично; див. *Користування годинником духової шафи, стор. 25*

Поверніть ручку вибору функції і ручку температури у (верхнє) положення «вимкнено».



### Положення решітки (для моделей із грилем)

Важливо правильно встановити решітчастий гриль на дротяні напрямні. Решітчастий

гриль необхідно вставити між дротяними напрямними, як показано на малюнку. Не допускайте контакту решітчастого гриля із задньою стінкою духової шафи. Щоб отримати гарні результати приготування їжі на грилі, зсуньте його до передньої частини шафи та встановіть у таке положення, щоб гриль не заважав закривати дверцята.

### Робочі режими

Порядок представлених робочих режимів може відрізнятися від характеристик вашого виробу.

#### Нагрівання згори та знизу



Страва нагрівається згори та знизу. Їжа нагрівається одночасно згори та знизу. Наприклад, це підходить для кексів, випічки або печива та запіканок у формах для випікання. Готуйте тільки з одним деком.

#### Нагрівання знизу



Страва нагрівається лише знизу. Це підходить для піци та для піджарювання страви знизу в кінці приготування. Ця функція також спрощує чищення парою.

#### Нагрівання згори та знизу з обдуванням



Страва нагрівається згори та знизу й обдувається вентилятором на задній стінці. Вентиляція сприяє швидкому рівномірному розподілу гарячого повітря всередині духової шафи. Готуйте тільки з одним деком.

### Турбогриль



Працює великий гриль угорі духової шафи. Рекомендовано застосовувати для приготування на грилі великої кількості м'яса.

- Розміщуйте великі чи середні порції на решітці у правильному положенні під нагрівачем гриля для смаження на грилі.
- Встановіть максимальне значення температури.
- Переверніть продукти, коли мине половина часу приготування.

### Гриль + обдування



Продуктивність гриля у звичайному режимі не така висока, як у турборежимі

- Розміщуйте невеликі чи середні порції на полиці в правильному положенні під нагрівачем гриля для приготування на грилі.
- Встановіть потрібну температуру.
- Переверніть продукти, коли мине половина часу приготування.

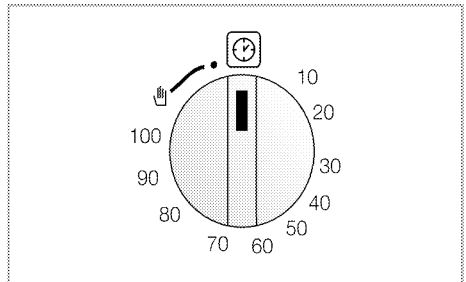
### Швидке нагрівання



Ця функція дає змогу швидко розігріти духову шафу, але не підходить для приготування страв.

- Вибравши цю функцію, задайте потрібну температуру. Ввімкнеться лампа температури, і духову шафу почне розігріватися.
- Лампа вимкнеться після того, як розігрівання завершиться. Тепер виберіть потрібну функцію приготування.

### Користування годинником духової шафи



### Початок приготування



Щоб використовувати духову шафу, оберіть режим приготування, потрібну температуру й налаштуйте час. У разі недотримання цієї вимоги духовка не працюватиме.

1. Поверніть ручку налаштування часу в напрямку годинникової стрілки, щоб налаштувати час приготування.
2. Поставте страву в духовку.
3. Виберіть режим і температуру; див. *Використання електричної духової шафи, стор. 24.*  
» Духова шафа нагріватиметься до заданої температури і підтримуватиме її до завершення вибраного часу приготування.
4. Коли час приготування завершиться, ручка налаштування часу автоматично повернеться проти годинникової стрілки. Пролунає попереджувальний сигнал, що

вказує на завершення заданого часу та вимикання живлення.



Щоб вимкнути функцію таймера, поверніть ручку проти годинникової стрілки до символу руки.

5. Вимкніть духову шафу за допомогою ручки налаштування часу, ручки вибору функцій або ручки регулювання температури.

### Вимкнення духової шафи до завершення встановленого часу

1. Поверніть ручку налаштування часу проти годинникової стрілки до зупинки.

2. Вимкніть духову шафу за допомогою ручки вибору функцій і ручки регулювання температури.

### Таблиця часу приготування



Значення часу в цій таблиці слід вважати довідковими. Вони можуть змінюватися залежно від температури продуктів, товщини, виду та ваших кулінарних уподобань.

### Запикання та смаження



Першою полицею духовки є нижня полиця.

Страва	Номер рівня приготування		Положення решітки	Температура (°C)	Час приготування (хв.)
**Пироги на деці	Один рівень		3	175	30 ... 45
**Кекси в формі	Один рівень		3	175	30 ... 50
**Кекс у паперовій обгортці	Один рівень		3	160 ... 170	20 ... 30
**Бісквітний торт	Один рівень		3	180 ... 200	10 ... 20
**Печиво	Один рівень		3	160 ... 170	20 ... 30
**Тісто для випічки	Один рівень		3	200	20 ... 30
**Здобна випічка	Один рівень		3	190	25 ... 35
**Дріжджі	Один рівень		3	190	20 ... 40
**Лазанья	Один рівень		2	180	25 ... 45
**Піца	Один рівень		2	200	15 ... 25
Біфштекс (цільний)/печеня	Один рівень		2	25 мін. 220, потім 180 ... 190	80 ... 100
Бараняче стегно (запикання)	Один рівень		2	25 мін. 220, потім 180 ... 190	60 ... 90
Смажене курча	Один рівень		2	15 мін. 250/max, потім 190	55 ... 65
Індичка (нарізана)	Один рівень		2	25 мін. 250/max, потім 190	60 ... 100
Риба	Один рівень		3	200	20 ... 30

(\*\*) Для приготування продуктів, яке вимагає попереднього розігріву, розігрівайте їх на початку приготування, доки лампочка термостата не згасне.

### Поради щодо випікання кексів і тортів

- Якщо тісто засухе, збільшіть температуру на 10 °C і скоротіть час приготування.
- Якщо тісто вологе, використовуйте менше рідини та зменшіть температуру на 10°C.
- Якщо тісто затемне зверху, встановіть його на нижчу полицю, зменшіть температуру та збільшіть час приготування.

- Якщо тісто всередині готове, а зовні липке, використовуйте менше рідини, зменшіть температуру та збільшіть час приготування.

### Поради щодо випікання тіста

- Якщо тісто засухе, збільшіть температуру на 10 °C і скоротіть час приготування. Просочіть шари тіста соусом з молока, олії, яйця та йогурту.
- Якщо тісто запікається занадто повільно, забезпечте, щоб його товщина не перевищувала глибини дека.
- Якщо верхня частина тіста набуває золотаво-коричневого відтінку, а нижня не готова, упевніться, що кількості соусу

в нижній частині тіста не забагато.  
Розподіляйте соус порівну між шарами тіста й угорі для рівномірного випікання.



Готуйте випічку відповідно до режиму й температури, зазначених у таблиці рецептів. Якщо нижня частина все-таки підсмажилася недостатньо, наступного разу встановіть випічку на один рівень нижче.

### Поради щодо приготування овочів

- Якщо з посуду з овочами випаровується сік, готуйте овочі в посуді з кришкою замість дека. Закритий посуд не дозволить соку випаруватися.
- Якщо овочева страва не доходить до готовності, зваріть овочі, приготуйте за зразком консервованих продуктів і поставте в духовку.

### Використання гриля



#### ПОПЕРЕДЖЕННЯ!

Зачиняйте дверцята духовки під час смаження на грилі.

Гарячі поверхні можуть стати причиною опіків!

- Під час використання гриля поверніть ручку регулювання часу

### проти годинникової стрілки до символу руки.

#### Увімкнення гриля

1. Поверніть ручку вибору функції до потрібного символу гриля.
  2. Потім виберіть потрібну температуру гриля.
  3. За потреби виконайте попередній розігрів протягом приблизно 5 хвилин.
- » Увімкнеться індикатор температури.

#### Вимкнення гриля

1. Поверніть ручку вибору функції у вимкнене (верхнє) положення.



Продукти, непридатні для приготування на грилі, можуть спричинити займання. Для смаження на грилі використовуйте тільки їжу, призначену для смаження на грилі за умови високої температури.

Не розміщуйте продукти занадто близько до задньої частини гриля. Це найгарячіше місце, і жирна їжа може загорітися.

### Таблиця часу приготування на грилі

#### Приготування за допомогою електричного гриля

Страва	Рівень встановлення дека	Час приготування на грилі (прибл.)
Риба	4...5	20...25 хв. *
Нарізане курча	4...5	25...35 хв.
Відбивні з м'яса молодого баранчика	4...5	20...25 хв.
Ростбіф	4...5	25...30 хв. #
Телячі відбивні	4...5	25...30 хв. #
Грінки	4	1...2 хв.

\* залежно від товщини

## 7 Догляд і технічне обслуговування

### Загальна інформація

За умови регулярного очищення приладу його термін використання буде подовжено, а частоту виникнення несправностей зменшено.



#### НЕБЕЗПЕЧНО:

Перш ніж розпочинати роботи з обслуговування та чищення, відключіть виріб від мережі електроживлення. Існує ризик ураження електричним струмом!



#### НЕБЕЗПЕЧНО:

Перед очищенням пристрою зачекайте, поки він охолоне. Гарячі поверхні можуть стати причиною опіків!

- Ретельно очищуйте прилад після кожного використання. Це спрощує видалення залишків їжі та запобігає їхньому згоранню під час наступного використання приладу.
- Для чистки приладу спеціальні засоби для миття не потрібні. Використовуйте теплу воду з розчиною для миття та шматок м'якої тканини чи губку, а також шматок сухої тканини для витирання насухо.
- Слідкуйте за тим, аби після очищення ретельно витирати надлишок води чи усувати проліті рештки.
- Не користуйтеся засобами, що містять кислоту чи хлор, для чистки поверхонь із нержавіючої сталі та ручки. Витирайте ці частини м'якою тканиною, змоченою в рідкому засобі для миття (не абразивному), не змінюючи напрямку.



Деякі засоби для миття або матеріали для чищення можуть пошкодити поверхню.

Під час чищення не використовуйте агресивні засоби для миття, порошки/рідини для чищення або гострі предмети.



Не використовуйте для чищення парові пристрої, бо це може призвести до ураження електричним струмом.

### Чистка варильної панелі

#### Газові варильні панелі

1. Зніміть й очистіть підставки для посуду та кришки газових конфорок.
2. Очистіть варильну панель.
3. Встановіть кришки газових конфорок і переконайтеся, що вони розташовані надійно.
4. Встановлюючи верхні елементи гриля, розташуйте підставки для посуду так, аби конфорки знаходилися по центру.

#### Очищення панелі управління

Протріть панель управління й ручки вологою тканиною й витріть їх насухо.



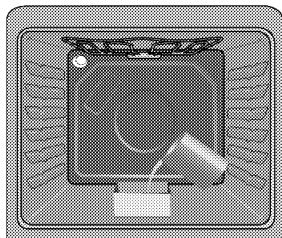
Не знімайте кнопки/ручки управління з панелі управління для чищення. Це може пошкодити панель управління!

### Очищення духовки

#### Просте чищення парою

Це спрощує чищення, оскільки бруд (після нетривалого очікування) пом'якшує пара, яка утворюється всередині духовки, та краплі води, які конденсуються на внутрішніх поверхнях духовки.

1. Витягніть з духовки все приладдя.
2. Поставте на дно духовки металеву ємність. Наглийте в неї 400 мл води.



3. Встановіть духовку на режим нагрівання знизу, який працюватиме 25 хвилин при температурі 200°C.



4. Відчиніть дверцята та протріть внутрішні поверхні духовки вологою губкою чи тканиною.
5. Стійкий бруд слід видаляти розчином рідкого засобу для миття в теплій воді, використовуючи м'яку тканину чи губку, а потім витирати насухо сухою тканиною.

### Очищення дверцят духовки

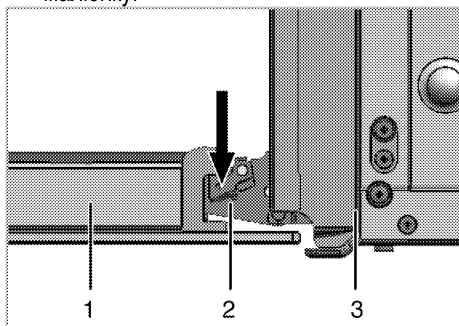
Для очищення дверцят духової шафи використовуйте теплу воду з розчиною в ній рідиною для миття та шматок м'якої тканини чи губку, а також шматок сухої тканини для витирання насухо.



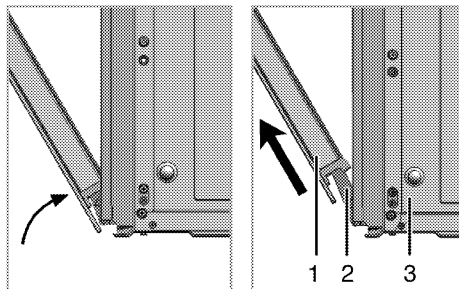
Для чищення дверцят духової шафи не користуйтеся жорсткими абразивними засобами або гострими металевими скребокми. Вони можуть подрпати поверхню та пошкодити скло.

### Демонтаж дверцят духової шафи

1. Відчиніть передні дверцята (1).
2. Відкрийте скоби гнізда для петлі (2) з правого та лівого боків передніх дверцят, натиснувши на скоби, як показано на малюнку.



- 1 Передні дверцята
- 2 Петля
- 3 Духова шафа



3. Трохи посуňte передні дверцята.
4. Вийміть передні дверцята, потягнувши вгору, доки вони не звільняться з правої та лівої петель.

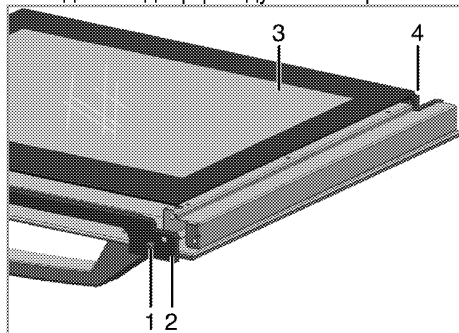


Для встановлення дверцят на місце слід повторити процес виймання у зворотному порядку. Не забудьте закрити скоби гнізда для петлі.

### Виймання внутрішнього скла дверцят

Внутрішню скляну панель дверцят духової шафи можна вийняти для чистки.

1. Відчиніть дверцята духової шафи.



- 1 Гвинт
  - 2 Пластмасовий профіль
  - 3 Найглибша скляна панель
  - 4 Пластмасовий тримач
2. Викрутіть гвинт (1) викруткою
  3. Вийміть профіль (2), а потім внутрішнє скло (3).
  4. Потім знову зберіть дверцята, установіть скляну панель (3) у пластмасові тримачі (4) та згрупуйте профіль.

## Заміна лампи освітлення духової шафи



### НЕБЕЗПЕЧНО:

Щоб уникнути ризику ураження електричним струмом, перш ніж замінювати лампочку, упевніться, що пристрій вимкнено і він охолов. Гарячі поверхні можуть стати причиною опіків!



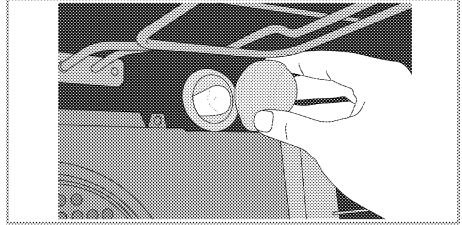
Для освітлення духової шафи використовується спеціальна електролампа, яка може витримувати температуру до 300 С. Детальніше див. у розділі "Технічні характеристики, стор. 12". Лампи підсвічування духової шафи можна отримати у представників авторизованої сервісної служби.



Розташування лампи може відрізнятися від зображення на малюнку.

### Якщо у вашій духовій шафі встановлена кругла лампа підсвічування:

1. Від'єднайте прилад від електромережі.
2. Потім зніміть захисне скло, повернувши його проти годинникової стрілки.



3. Вийміть лампу духової шафи, повертаючи її проти годинникової стрілки, та замініть новою.
4. Встановіть захисне скло лампи на місце.

## 8 Пошук та усунення несправностей

**Під час використання духової шафи виділяє пару.**

- Зазвичай під час роботи з'являється пара. >>> *Це не несправність.*

**Під час нагрівання й охолодження чути «металічні» звуки.**

- Коли металічні частини нагріваються, вони можуть розширюватися і створювати шум. >>> *Це не несправність.*

**Пристрій не працює.**

- Запобіжник несправний або перегорів. >>> *Перевірте запобіжники. За необхідності замініть або вимкніть їх.*
- Пристрій не під'єднано до (заземленої) розетки. >>> *Перевірте підключення штепсельної вилки.*

**Підсвічування духової шафи не працює.**

- Несправна лампа духовки. >>> *Замініть лампу духовки.*
- Електроживлення вимкнене. >>> *Перевірте наявність електроживлення. Перевірте запобіжники у блоці запобіжників. За необхідності замініть або вимкніть їх.*

**Духовка не нагрівається.**

- Функцію та/або температуру не встановлено. >>> *Налаштуйте функцію та температуру за допомогою ручки/клавіші вибору функції та/або температури.*
- У моделях з таймером таймер не налаштовано. >>> *Налаштуйте час. (У пристроях з мікрохвильовою піччю таймер управляє лише нею.)*
- Електроживлення вимкнене. >>> *Перевірте наявність електроживлення. Перевірте запобіжники у блоці запобіжників. За необхідності замініть або вимкніть їх.*

**Немає запалювальної іскри.**

- Немає струму. >>> *Перевірте запобіжники.*
- Час не налаштовано. >>> *Встановіть час.*

**Газ не подається.**

- Закрито основний кран подачі газу. >>> *Відкрийте кран подачі газу.*
- Труба подачі газу зігнута. >>> *Встановіть трубу подачі газу відповідним чином.*

**Конфорки не працюють правильно чи взагалі не працюють.**

- Конфорки брудні. >>> *Очистіть компоненти конфорок.*
- Конфорки вологі. >>> *Висушіть компоненти конфорок.*
- Кришка конфорки не встановлена щільно. >>> *Встановіть кришку конфорки щільно.*
- Закрито кран подачі газу. >>> *Відкрийте кран подачі газу.*
- Газовий балон порожній (при використанні нафтового зрідженого газу). >>> >>> *Замініть газовий балон.*

**(У моделях з таймером) Дисплей годинника блимає, або світиться символ годинника.**

- Сталося порушення енергопостачання. >>> *Налаштуйте час/увімкніть пристрій і ввімкніть його знову.*



Якщо, незважаючи на застосування інструкцій цього розділу, несправність усунути не вдалося, зверніться до представника авторизованої сервісної служби чи дилера, в якого ви придбали пристрій. Не намагайтеся відремонтувати несправний пристрій самотужки.

Виробник: "Arçelik A.S."  
"Arçelik A.S.", м. Стамбул, Сютлюдже, вул. Караагач №2-6, 34445, Туреччина  
(Karaağaç Caddesi No:2-6 Sütlüce, 34445, Turkey)

Імпортер на території України: ТОВ «Беко Україна»,  
адреса: 01021, м. Київ, вул. Кловський узвіз, буд. 5 тел/факс.: 0-800-500-4-3-2  
Термін служби десять років

Інформацію про сертифікацію продукту Ви можете уточнити, зателефонувавши на гарячу лінію 0-800-500-4-3-2.

Дата виробництва міститься в серійному номері продукту, що вказаний на етикетці, розташованій на продукті, а саме, перші дві цифри серійного номера позначають рік виробництва, а останні дві - місяць.  
Наприклад, «10-100001-05» означає, що продукт виготовлений в травні 2010 року.



## Перед началом эксплуатации прочитайте это руководство пользователя!

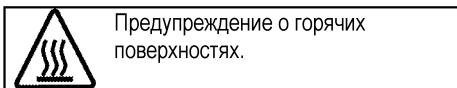
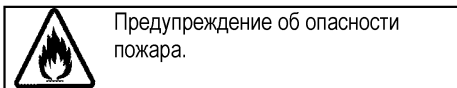
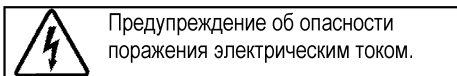
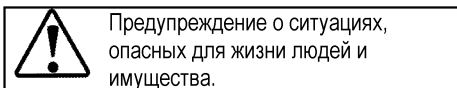
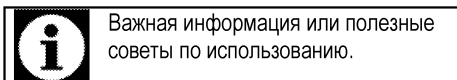
Уважаемый покупатель!

Спасибо за то, что отдали предпочтение продукции компании «Веко». Надеемся, что это высококачественное изделие, изготовленное с применением самых современных технологий, будет демонстрировать наилучшие результаты эксплуатации. Для этого перед началом эксплуатации внимательно прочитайте это руководство и всю сопутствующую документацию и используйте его в дальнейшем в качестве справочника. Если вы передаете изделие новому владельцу, передайте ему и руководство пользователя. Придерживайтесь всех предупреждений и информации, содержащихся в руководстве.

Помните, что данное руководство пользователя также может быть применимо к некоторым другим моделям. Различия между моделями будут указаны в руководстве.

### Пояснения к символам

В данном руководстве пользователя используются следующие символы:



Производитель: компания Арчелик (Arcelik A.S.)  
Юридический адрес: Караач Джаддеси № 2-6 34445  
Сютлюдже/Стамбул/Турция

**EAC**

Произведено в Турции

## **1 Важные инструкции и предупреждения по технике безопасности и охране окружающей среды** **4**

Общие правила техники безопасности .....	4
Правила техники безопасности при работе с газовым оборудованием .....	4
Электробезопасность .....	6
Безопасность изделия .....	7
Использование по назначению .....	10
Безопасность детей .....	10
Утилизация старого изделия .....	11
Утилизация упаковочных материалов .....	11

## **2 Общие сведения** **12**

Обзор .....	12
Содержание упаковки .....	13
Технические характеристики .....	13
Характеристики горелок .....	14

## **3 Установка** **15**

До начала установки .....	15
Установка и подключение .....	16
Переход на другой вид газа .....	18
Для будущей транспортировки .....	19

## **4 Подготовка к эксплуатации** **20**

Рекомендации по экономии электроэнергии .....	20
Подготовка к эксплуатации .....	20
Очистка прибора перед началом эксплуатации .....	20
Первоначальный прогрев .....	20

## **5 Правила эксплуатации варочной панели** **22**

Общие сведения о приготовлении пищи ..	22
Эксплуатация варочных панелей .....	22

## **6 Правила эксплуатации духовки** **24**

Общие сведения о выпекании, жарении и приготовлении с грилем .....	24
Правила эксплуатации электрической духовки .....	25
Режимы работы .....	25
Использование часов духовки .....	26
Время приготовления блюд .....	27
Как пользоваться грилем .....	28
Время приготовления блюд на гриле .....	28

## **7 Уход и техническое обслуживание** **29**

Общие сведения .....	29
Чистка варочной панели .....	29
Чистка панели управления .....	29
Чистка духовки .....	29
Снятие дверцы духового шкафа .....	30
Снятие внутреннего стекла дверцы .....	30
Замена лампочки освещения духового шкафа .....	31

## **8 Поиск и устранение неисправностей** **32**

## **1 Важные инструкции и предупреждения по технике безопасности и охране окружающей среды**

В данном разделе содержатся инструкции по технике безопасности, которые помогут вам избежать травм и повреждений. При несоблюдении этих правил все гарантийные обязательства аннулируются.

### **Общие правила техники безопасности**

- Это изделие может эксплуатироваться детьми старше 8 лет и людьми с ограниченными физическими, сенсорными или умственными способностями, а также лицами, не имеющими достаточного опыта и знаний, только в том случае, если они находятся под наблюдением лиц, ответственных за их безопасность, или проинструктированы на предмет безопасного использования изделия и осознают связанные с этим риски.

Следите за тем, чтобы дети не играли с устройством. Дети могут чистить и обслуживать устройство только под наблюдением.

- Не устанавливайте устройство на ковровом покрытии.

Недостаточная вентиляция под днищем устройства может привести к перегреву электрических деталей и проблемам в работе изделия.

- Работы по установке и ремонту должны выполняться только представителями авторизованной сервисной службы. Производитель не несет ответственности за повреждения в результате выполнения работ лицами, не имеющими соответствующей квалификации. Это также может привести к аннулированию гарантии. Перед установкой внимательно прочтите инструкции.
- Не пользуйтесь неисправным изделием, а также при наличии на нем заметных повреждений.
- Проверяйте, чтобы после каждого использования переключатели функций изделия были выключены.

### **Правила техники безопасности при работе с газовым оборудованием**

- Все работы с газовыми приборами и системами должны выполняться только



квалифицированные специалисты, имеющие право на выполнение таких работ.

- Перед установкой проверьте, соответствуют ли параметры местной распределительной сети (давление и тип газа) настройкам прибора.
- Это устройство не подсоединяется к устройству для удаления продуктов горения. Это устройство не подсоединяется к устройству для удаления продуктов горения. Установка и подключение прибора должны выполняться в соответствии с действующими нормами и правилами. Особое внимание следует уделить требованиям к вентиляции (см. раздел *До начала установки, стр. 15*).
- Во время эксплуатации газовой плиты она выделяет тепло, влагу и продукты сгорания в помещении, в котором установлена. Убедитесь, что кухня хорошо проветривается, в особенности во время использования прибора: держите открытыми отверстия, через которые осуществляется естественная вентиляция, или установите прибор для искусственной вентиляции (механическую надплитную вытяжку). Длительное интенсивное использование прибора может требовать дополнительной вентиляции, например, увеличения уровня мощности механической вытяжки, если она имеется.
- Необходимо регулярно проверять исправность газовых приборов и систем. Регулятор, шланг и его хомут следует проверять регулярно и заменять в сроки, рекомендованные производителем, или по мере необходимости.
- Регулярно очищайте газовые горелки. Горелка должна гореть ровным голубым пламенем.
- В газовых приборах необходимо обеспечить полное сжигание газа, так как при неполном сгорании газа выделяется угарный газ (СО). Угарный газ (монооксид углерода) - это очень ядовитый бесцветный газ без запаха, который даже в очень малых дозах вызывает отравление и смерть.
- Узнайте у своего поставщика газа телефон местной аварийной службы газа, а также ознакомьтесь с мерами

предосторожности, которые необходимо предпринимать при обнаружении запаха газа.

### **Меры предосторожности при обнаружении запаха газа**

- Не пользуйтесь открытым пламенем и не курите. Не пользуйтесь электрическими выключателями (например, выключателем освещения, дверным звонком и т.д.). Не пользуйтесь стационарными и мобильными телефонами. Остерегайтесь взрыва и отравления газом!
- Перекройте все краны газовых приборов и газовых счетчиков
- Откройте окна и двери.
- Проверьте все трубы и соединения на герметичность. Если запах газа не исчезает, покиньте помещение.
- Предупредите соседей.
- Вызовите пожарную команду. Звоните по телефонному аппарату, который находится за пределами дома.
- Не входите в помещение, пока вам не сообщат, что это безопасно.

### **Электробезопасность**

- В случае неисправности следует прекратить эксплуатацию изделия, пока оно не будет отремонтировано

в авторизованном сервисном центре. Существует риск поражения электрическим током!

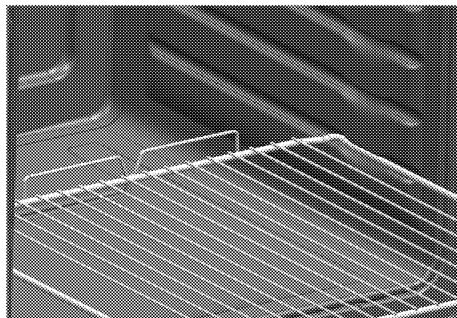
- Изделие можно подключать только к заземленной розетке/линии, напряжение и уровень защиты которой соответствуют параметрам, указанным в разделе «Технические характеристики». Установку заземления должен выполнять квалифицированный специалист (при использовании прибора с трансформатором или без него). Наша компания не несет ответственности за какие-либо проблемы, возникшие вследствие использования изделия без заземления, выполненного в соответствии с местными нормами и правилами.
- Никогда не лейте воду на изделие во время мытья! Существует риск поражения электрическим током!
- Категорически запрещается дотрагиваться к штепсельной вилке влажными руками! Не тяните за кабель питания. Вынимая вилку из розетки, беритесь непосредственно за вилку.

- Прежде чем приступать к установке, техническому обслуживанию, чистке и ремонту, изделие необходимо отключить от электросети.
- Во избежание несчастных случаев при повреждении кабеля питания его замену должен выполнять производитель, его специалист по сервису или лицо, имеющее аналогичную квалификацию.
- Электроприбор следует устанавливать таким образом, чтобы его можно было полностью отсоединить от сети электропитания. Отсоединение должно осуществляться с помощью штепсельной вилки или выключателя, встроенного в фиксированную сеть электропитания, в соответствии со строительными нормативами и правилами.
- Задняя стенка духового шкафа во время работы сильно нагревается. Следите за тем, чтобы газовые шланги и электрические провода не соприкасались с задней стенкой, так как это может привести к их повреждению.
- Следите за тем, чтобы шнур питания не был зажат между рамой и дверцей духового шкафа, и не прокладывайте его по горячим поверхностям. В противном случае изоляция кабеля может расплавиться, что приведет к короткому замыканию и пожару.
- Все работы с электрическим оборудованием и системами должны выполняться только квалифицированными специалистами, допущенными к выполнению таких работ.
- В случае какого-либо повреждения выключите прибор и отсоедините его от электросети. Для этого выключите общий предохранитель в доме.
- Проверьте, соответствуют ли изделию номинальные характеристики предохранителя.

### **Безопасность изделия**

- Данное изделие и его внешние части нагреваются в процессе использования. Будьте осторожны, не касайтесь нагревательных элементов. Детей младше 8 лет следует допускать к духовому шкафу только под постоянным присмотром взрослых.
- Не пользуйтесь прибором, находясь под воздействием

- алкоголя или лекарственных препаратов, снижающих скорость реакции или нарушающих координацию движений.
- Будьте осторожны при использовании спиртных напитков в приготовляемых блюдах. При высокой температуре спирт испаряется и при соприкосновении с горячими поверхностями может загореться и вызвать пожар.
  - Не располагайте рядом с прибором легковоспламеняющиеся материалы, так как во время работы его боковые поверхности могут сильно нагреваться.
  - Во время работы устройство может нагреваться. Будьте осторожны, не касайтесь нагревательных элементов внутри духового шкафа.
  - Следите за тем, чтобы вентиляционные отверстия были полностью открыты.
  - Не разогревайте в духовом шкафу продукты в закрытых жестяных или стеклянных банках. Внутри банок может повыситься давление, что приведет к взрыву.
  - Не ставьте противни или посуду непосредственно на дно духового шкафа, а также не кладите на него алюминиевую фольгу. Избыточное тепло может привести к повреждению дна духового шкафа.
  - Не используйте для чистки стеклянной дверцы духового шкафа грубые абразивные чистящие средства или острые металлические скребки, чтобы не поцарапать поверхность, поскольку это может привести к разрушению стекла.
  - Не используйте для чистки устройства пароочистители, поскольку это может привести к поражению электрическим током.
  - **Правильное расположение проволочной решетки и противня на направляющих**  
Проволочную решетку и/или противень следует правильно устанавливать на направляющие. Вставьте проволочную решетку или противень между 2 направляющими и проверьте, устойчиво ли держится решетка или противень (см. рисунок). Только после этого можно класть на них продукты.



- Не пользуйтесь духовым шкафом, если стекло в передней дверце потрескалось или вынуто.
- Ручка духовки не предназначена для сушки полотенца. Если функция гриля включена, а дверца открыта, не вешайте полотенца, перчатки и другие тряпичные изделия.
- Помещая продукты в горячий духовой шкаф или вынимая их оттуда, обязательно пользуйтесь термостойкими рукавицами.
- Перед заменой лампочки убедитесь, что устройство выключено, чтобы избежать поражения электрическим током.
- Не закрывайте верхнюю крышку, пока электрические или газовые конфорки не остынут. Перед открыванием вытирайте верхнюю крышку насухо, чтобы влага не попала на

заднюю стенку и внутрь духового шкафа.

- При приготовлении пищи с жиром или маслом не оставляйте варочную панель без присмотра, поскольку это может привести к возгоранию. Категорически ЗАПРЕЩАЕТСЯ гасить такое пламя водой; следует выключить устройство и накрыть огонь, например, крышкой или противопожарным покрытием.
- Опасность пожара: не храните предметы на конфорках.

Для обеспечения пожарной безопасности изделия соблюдайте нижеуказанные правила.

- Убедитесь, что вилка плотно вставлена в розетку и не искрит.
- Запрещается использовать поврежденный либо обрезанный кабель, а также удлинитель; можно пользоваться только оригинальным кабелем.
- Убедитесь, что в розетке, к которой подключается изделие, отсутствуют жидкость или влага.
- Убедитесь, что подключение газа выполнено таким образом, чтобы исключить утечку газа.

## Использование по назначению

- Данное изделие предназначено исключительно для бытового использования. Запрещается использовать прибор в коммерческих целях.
  - Данное изделие предназначено исключительно для приготовления пищи. Его запрещено использовать для других целей, например, для обогрева помещения."
  - Изделие не следует использовать с целью нагревания тарелок под грилем, сушки полотенца и посудных полотенца, путем развешивания их на ручках, а также для обогрева помещения.
  - Производитель не несет ответственности за повреждения в результате использования изделия не по назначению или неправильного обращения с ним.
  - Духовой шкаф можно использовать для размораживания, выпекания, жарения и приготовления продуктов на гриле.
- использовании. Не допускайте к ним детей.
  - Упаковочные материалы опасны для детей. Храните упаковочные материалы в недоступном для детей месте. Утилизируйте все упаковочные материалы в соответствии с нормами по охране окружающей среды.
  - Электрическое и/или газовое оборудование представляют опасность для детей. Во время работы духового шкафа не допускайте к нему детей, а также не разрешайте им играть с ним.
  - Не размещайте над прибором предметы, которые дети могут попытаться достать.
  - **Не** ставьте на открытую дверцу тяжелые предметы и **не** позволяйте детям садиться на нее, Духовой шкаф может перевернуться, а также могут быть повреждены петли дверцы.

## Безопасность детей

- Доступные части прибора могут сильно нагреваться при

**Утилизация старого изделия  
Соответствие Директиве ЕС об  
утилизации электрического и  
электронного оборудования  
(WEEE) и утилизация  
вышедшего из употребления  
оборудования:**



Данное изделие соответствует Директиве ЕС об утилизации электрического и электронного оборудования (2012/19/EU).

Данное изделие имеет маркировку, указывающую на утилизацию его как электрического и электронного оборудования (WEEE).

Это изделие произведено из высококачественных деталей и материалов, которые подлежат повторному использованию и переработке. Поэтому не выбрасывайте изделие с обычными бытовыми отходами после завершения его эксплуатации. Его следует сдать в соответствующий центр по утилизации электрического и электронного оборудования. О местонахождении таких центров вы можете узнать в местных органах власти.

**Соответствие Директиве ЕС об  
ограничении содержания  
вредных веществ (RoHS):**

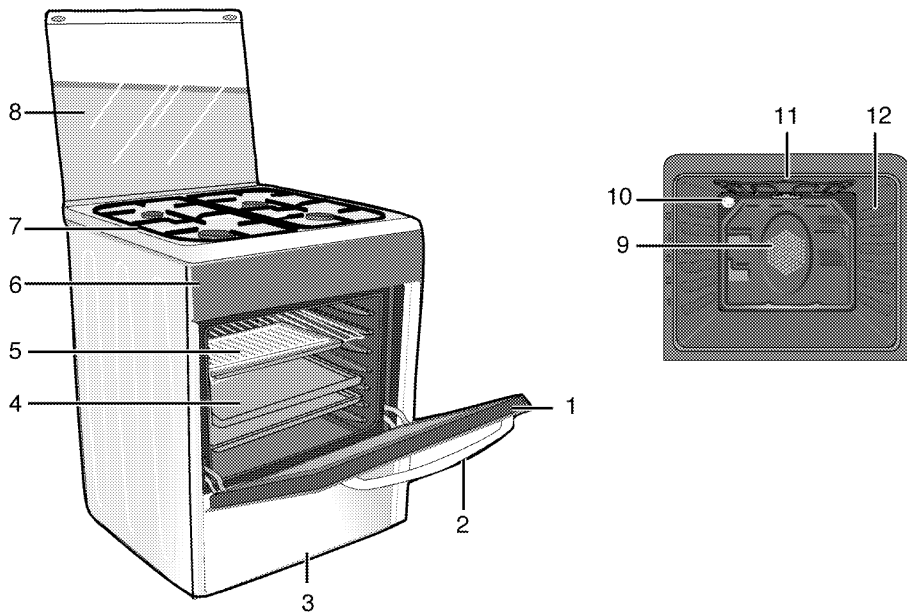
Приобретенное вами изделие соответствует Директиве ЕС о правилах ограничения содержания вредных веществ (2011/65/EU). Оно не содержит вредных и запрещенных материалов, указанных в Директиве.

**Утилизация упаковочных  
материалов**

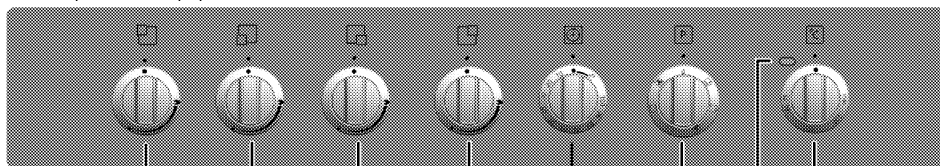
- Упаковочные материалы опасны для детей. Храните упаковочные материалы в безопасном и недоступном для детей месте. Упаковочные материалы изделия изготовлены из материалов, подлежащих вторичной переработке. Утилизируйте их соответствующим образом и сортируйте согласно инструкций по обращению с отходами, подлежащими вторичной переработке. Не утилизируйте их вместе с обычными бытовыми отходами.

## 2 Общие сведения

### Обзор



- |   |                     |    |   |
|---|---------------------|----|---|
| 1 | Передняя дверца     | 8  | Верхняя крышка                                |
| 2 | Ручка дверцы        | 9  | Двигатель вентилятора (за стальной пластиной) |
| 3 | Нижняя часть        | 10 | Лампочка                                      |
| 4 | Противень           | 11 | Нагревательный элемент гриля                  |
| 5 | Проволочная решетка | 12 | Положения полок                               |
| 6 | Панель управления   |    |   |
| 7 | Крышка конфорки     |    |   |



- |   |  |   |                     |
|---|--|---|---------------------|
| 1 | Нормальная конфорка Задняя левая         | 7 | Лампочка термостата |
| 2 | Конфорка быстрого нагрева Передняя левая | 8 | Ручка термостата    |
| 3 | Дополнительная конфорка Передняя правая  |   |                     |
| 4 | Нормальная конфорка Задняя правая        |   |                     |
| 5 | Механический таймер                      |   |                     |
| 6 | Ручка выбора функции                     |   |                     |



## Содержание упаковки

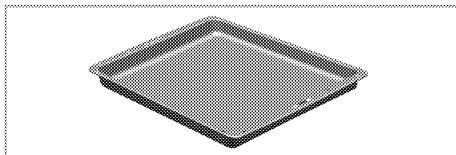


Изделие комплектуется различным набором дополнительных принадлежностей в зависимости от модели. Некоторые дополнительные принадлежности, описанные в руководстве пользователя, в комплекте этого изделия могут отсутствовать.

### 1. Руководство пользователя

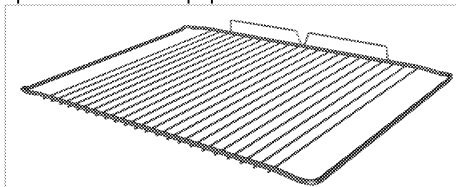
### 2. Противень

Предназначен для выпечки изделий из теста, размораживания замороженных продуктов и жарения продуктов большими кусками.



### 3. Проволочная решетка

Предназначена для жарения, а также для размещения продуктов на нужной полке при выпечке, жарении или приготовлении в формах.





## Технические характеристики


<b>ОБЩИЕ СВЕДЕНИЯ</b>	
Габариты (высота / ширина / глубина)	850 мм/500 мм/600 мм
Напряжение/частота	220-240 В ~ 50 Гц
Общая потребляемая мощность	2.0 кВт
Предохранитель	мин. 16 А
Тип кабеля/сечение	H05VV-FG 3 x 1 мм <sup>2</sup>
Длина кабеля	макс. 2 м
Категория газового прибора	cat II 2H3B/P
Тип газа/давление	NG G 20/20 мбар
Общий расход газа	7.9 кВт
Переход на тип газа/давление <sup>§</sup>	NG G 20/13 мбар
– дополнительно	NG G 20/10мбар - LPG G 30/30мбар
<b>ВАРОЧНАЯ ПАНЕЛЬ</b>	
<b>Конфорки</b>	
Задняя левая	<b>Нормальная конфорка</b>
Мощность	2 кВт
Передняя левая	<b>Конфорка быстрого нагрева</b>
Мощность	2.9 кВт
Передняя правая	<b>Дополнительная конфорка</b>
Мощность	1 кВт
Задняя правая	<b>Нормальная конфорка</b>
Мощность	2 кВт
<b>ДУХОВКА/ГРИЛЬ</b>	
Главный духовой шкаф	<b>Использование вентилятора</b>
Лампочка внутреннего освещения	15–25 Вт
Гриль: потребляемая мощность	1.6 кВт
<b>Класс защиты -1</b>	

- # Основные сведения Данные на паспортной табличке энергопотребления электрических духовых шкафов приведены в соответствии со стандартом EN 60350-1 / IEC 60350-1. Эти данные определены при стандартной нагрузке с функциями нижнего-верхнего нагревательного элемента или нагрева с помощью вентилятора (при наличии).

Класс энергетической эффективности определен в соответствии с приведенными ниже приоритетами в зависимости от наличия или отсутствия соответствующих функций в изделии. 1 - Приготовление с вентилятором - экономичный режим, 2 - Медленное приготовление в турборежиме, 3 - Приготовление в турборежиме, 4 - Нагрев сверху и снизу с вентилятором, 5 - Нагрев сверху и снизу. **«Этикетка энергоэффективности представлена на продукте»**

**Степень защиты IP 44**

	При усовершенствовании качества продукции технические характеристики могут быть изменены без предварительного уведомления.
	Иллюстрации в данном руководстве являются схематичными и могут несколько отличаться от конкретного изделия.


	Значения, указанные на этикетках изделия или в сопроводительной документации, получены в лабораторных условиях согласно соответствующим стандартам. Эти данные могут быть иными в зависимости от условий эксплуатации изделия.
---	--


## Характеристики горелок


Расположение конфорки	2 кВт Задняя левая	2.9 кВт Передняя левая	1 кВт Передняя правая	2 кВт Задняя правая
Тип газа / Давление				
G 20/10 мбар	125	155	90	125
G 20/13 мбар	116	145	84	116
G 20/20 мбар	103	115	72	103
G 30/28-30 мбар	72	87	50	72

### 3 Установка

Прибор должен устанавливаться квалифицированным специалистом в соответствии с действующими нормами и правилами. В противном случае гарантия аннулируется. Производитель не несет ответственности за повреждения в результате выполнения работ лицами, не имеющими соответствующей квалификации. Это может привести к аннулированию гарантии.

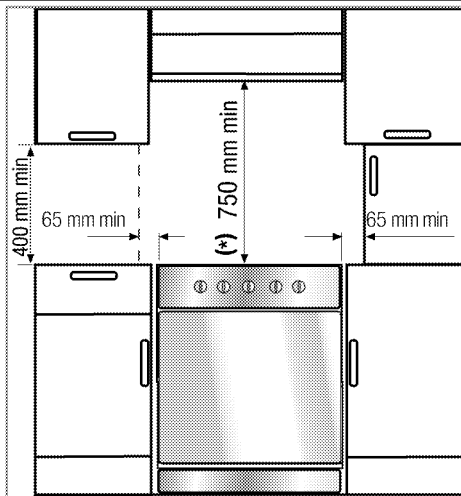
 Подготовка места установки, электрического и газового оборудования обеспечивается покупателем.

 **ОПАСНО:**  
Бытовой прибор следует устанавливать в соответствии со всеми местными нормами по подключению газового и/или электрического оборудования.

 **ОПАСНО:**  
Прежде чем приступить к установке, визуально проверьте отсутствие внешних дефектов духового шкафа. При наличии дефектов не устанавливайте его. Поврежденные электроприборы представляют собой угрозу вашей безопасности.

#### До начала установки

Для того чтобы обеспечить наличие необходимых зазоров для циркуляции воздуха под плитой, рекомендуем устанавливать ее на твердом основании так, чтобы ножки не погружались в ковер или мягкое напольное покрытие. Кухонный пол должен выдерживать вес прибора с учетом веса посуды и продуктов.



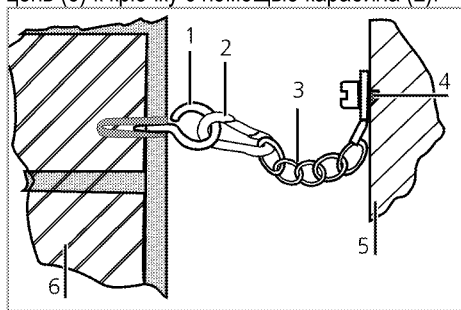
- Ее можно использовать с кухонными шкафами с обеих сторон, однако следует оставить свободное пространство минимум 400 мм над уровнем конфорок, а также боковое свободное пространство не менее 65 мм между плитой и стеной, перегородкой или высоким кухонным шкафом.
- Плита может также стоять отдельно. Обеспечьте свободное расстояние не менее 750 мм от поверхности плиты до поверхностей над ней.
- В случае установки надплитного воздухоочистителя соблюдайте инструкции его производителя в отношении высоты монтажа устройства (мин. 650 мм).
- Это устройство соответствует требованиям к приборам класса 1, и его можно устанавливать так, чтобы задняя и **одна** из боковых стенок примыкали к стенам помещения, стенкам кухонных шкафчиков или бытовых приборов любой высоты. Кухонная мебель или бытовые приборы, примыкающие с **другой** стороны, должны быть не выше прибора.

- Вся кухонная мебель, рядом с которой устанавливается устройство, должна быть термостойкой (не менее 100 °С).

### Предохранительная цепь

Для обеспечения устойчивости изделия его необходимо закрепить с помощью двух предохранительных цепей, входящих в комплект поставки.

С помощью соответствующего дюбеля установите крючок (1) в стене кухни (6), а затем подсоедините предохранительную цепь (3) к крючку с помощью карабина (2).



- 1 Крючок
- 2 Карабин
- 3 Предохранительная цепь
- 4 Прочно закрепите цепь с задней стороны плиты
- 5 Задняя сторона плиты
- 6 Стена кухни

**i** Предохранительная цепь должна быть как можно короче, чтобы исключить опрокидывание изделия как вперед, так и в сторону.

В конструкции предохранительной цепи для плиты нет гнезда для крепления скобы.

### Вентиляция помещения

В помещении должно быть открывающееся окно, а в некоторых помещениях необходимо также наличие постоянной вентиляции.

Забор воздуха для процесса горения производится в помещении, и уходящие газы выделяются непосредственно в помещение.

Поэтому для безопасной эксплуатации устройства необходимо обеспечить хорошую вентиляцию помещения. Если в помещении нет окна или двери, пригодных для вентиляции, необходимо установить дополнительные средства вентиляции.

Устройство может устанавливаться в кухне, в кухне-столовой или в жилой комнате, но не в помещении с ванной или душем. Плиту запрещается устанавливать в жилой комнате площадью менее 20 м<sup>2,3</sup>.

Не устанавливайте плиту в помещении, находящемся ниже уровня поверхности, если оно не выходит на уровень поверхности хотя бы одной стороной.

Размер помещения	Вентиляционный проем
менее 5 м <sup>3</sup>	не менее 100 см <sup>2</sup>
5 м <sup>3</sup> до 10 м <sup>3</sup>	не менее 50 см <sup>2</sup>
более 10 м <sup>3</sup> /den	не требуется
В подвальном помещении	не менее 65 см <sup>2</sup>

### Установка и подключение

Прибор следует устанавливать и подключать в соответствии с действующими нормами и правилами.



Не устанавливайте изделие рядом с холодильником или морозильной камерой. Поскольку духовой шкаф излучает тепло, холодильники будут потреблять больше электроэнергии.

- Переносить прибор должны не менее двух человек.
- Прибор следует устанавливать прямо на пол. Не устанавливайте прибор на подставку.





Не перемещайте устройство, держась за дверцу и/или за ручку дверцы. Дверца, ручка или петли могут повредиться.

### Подключение к электросети

Подключайте прибор к розетке или линии с заземлением, защищенную предохранителем, мощность которого


соответствуют данным, приведенным в таблице "Технические характеристики". Установку заземление должен выполнять квалифицированный специалист (при использовании прибора с трансформатором или без него). Наша компания не несет ответственности за ущерб, понесенный вследствие использования прибора без заземления, выполненного в соответствии с местными нормами и правилами.


 **ОПАСНО:**  
Подключение прибора к электросети должен выполнять квалифицированный специалист, имеющий право на выполнение таких работ. Гарантийный период начинается только после правильной установки. Производитель не несет ответственности за повреждения в результате выполнения работ лицами, не имеющими соответствующей квалификации.

 **ОПАСНО:**  
Шнур питания не должен быть сдавлен, изогнут или зажат, а также не должен соприкасаться с нагревающимися компонентами изделия. Замену поврежденного шнура питания должен выполнять квалифицированный электрик. В противном случае это может привести к поражению электрическим током, короткому замыканию или возгоранию!

Параметры электрической сети должны соответствовать данным, указанным на паспортной табличке прибора. Паспортную табличку можно увидеть либо при открытой дверце или нижней крышке, либо на задней стенке прибора, в зависимости от типа прибора.


Шнур питания прибора должен соответствовать параметрам, указанным в таблице "Технические характеристики".


 К штепсельной вилке шнура питания после установки должен быть обеспечен легкий доступ (не прокладываете шнур над варочной поверхностью).

 **ОПАСНО:**  
Перед выполнением каких-либо электромонтажных работ отключите прибор от электрической сети. Существует риск поражения электрическим током!


Включите шнур питания в розетку.

### Подключение газа

 **ОПАСНО:**  
Подключение прибора к электрической сети должен выполнять квалифицированный специалист, имеющий право на выполнение таких работ. Непрофессиональный ремонт может привести к взрыву или отравлению газом! Производитель не несет ответственности за повреждения в результате выполнения работ лицами, не имеющими соответствующей квалификации.

 **ОПАСНО:**  
Перед выполнением каких-либо работ по монтажу газовых приборов перекройте подачу газа. Это может привести к взрыву!

- Тип и давление газа, на которые отрегулирован прибор, указаны на паспортной табличке или маркировке.

 На ваше изделие может подаваться природный газ (NG).

- Перед установкой прибора необходимо подготовить подвод природного газа.
- К выпускному отверстию источника газа должна быть присоединена гибкая подводка для подвода газа к прибору, закрытая заглушкой. При установке прибора представитель службы газа

вынет заглушку и присоединит прибор к газовой сети с помощью муфты.

- Газовый вентиль должен находиться в легкодоступном месте.
- Если впоследствии возникнет необходимость перевести прибор на другой вид газа, обратитесь в фирменный сервисный центр для получения консультации о том, как выполнить такой переход.



**ОПАСНО:**

Газовый шланг не должен быть сдавлен, изогнут или зажат, а также не должен соприкасаться с нагревающимися компонентами изделия.

Поврежденный газовый шланг может привести к взрыву.

- Придвиньте прибор к стене кухни.
- **Регулирование ножек духовки**  
При наличии вибрации посуда во время приготовления может сдвигаться. Для предотвращения опасных ситуаций необходимо, чтобы прибор стоял ровно и устойчиво.

В целях безопасности, выровняйте прибор с помощью 4 регулируемых ножек ножки. Для этого поворачивайте их влево и вправо до тех пор, пока прибор не будет ровно стоять на столешнице.

**Окончательная проверка**

1. Проверьте, работают ли электрические компоненты.
2. Откройте подачу газа.
3. Проверьте места подключения газа на надежность закрепления и герметичность.
4. Зажгите горелки и проверьте внешний вид пламени.



Пламя должно быть голубым и иметь обычную форму. Если пламя имеет желтоватый оттенок, проверьте положение накладки горелки или прочистите горелку.

**Переход на другой вид газа**



**ОПАСНО:**

Перед выполнением каких-либо работ по монтажу газовых приборов перекройте подачу газа. Это может привести к взрыву!

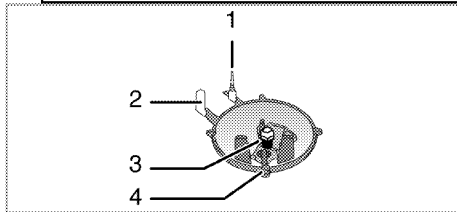
Для перехода на другой вид газа необходимо заменить все форсунки прибора и отрегулировать все краны для уменьшения подачи газа.

**Замена форсунок в горелках**

1. Снимите накладку горелки и выньте корпус горелки.
2. Вывинтите форсунки, поворачивая против часовой стрелки.
3. Вставьте новые форсунки.
4. Проверьте соединения на надежность закрепления и герметичность.



Расположение новых форсунок указано на упаковке или в таблице на *Характеристики горелок*, стр. 14.



- 1 Устройство газ-контроля (в зависимости от модели)
- 2 Свеча зажигания
- 3 Форсунка
- 4 Горелка



Не снимайте газовые краны горелок без особой необходимости. В случае необходимости замены кранов обращайтесь только в фирменный сервисный центр.

**Регулировка газовых кранов для уменьшения подачи газа**

1. Зажгите горелку, которую нужно отрегулировать, и установите ручку

регулятора в положение минимального пламени.

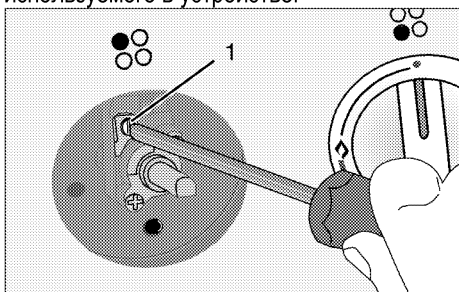
2. Снимите ручку регулятора с газового крана.
3. К винту регулировки подачи газа применяйте отвертку соответствующего размера.

Для сжиженного нефтяного газа (бутан-пропан) следует повернуть винт по часовой стрелке. Для природного газа следует повернуть винт на один оборот **против часовой стрелки**.

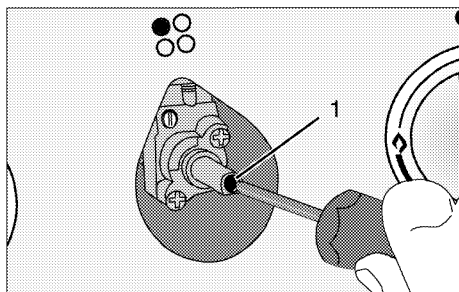
» Нормальная высота прямого пламени при установке регулятора в положение минимального пламени должна составлять 6-7 мм.

4. Если пламя выше, чем нужно, поверните винт по часовой стрелке, если ниже – поверните в противоположную сторону.
5. В качестве заключительной проверки установите регулятор конфорки в положение максимального и минимального пламени и проверьте воспламенение и выключение огня.

Положение винта регулировки подачи зависит от типа газового вентиля, используемого в устройстве.



1 Винт регулировки подачи газа



1 Винт регулировки подачи газа

**i** При замене типа газа необходимо также заменить и паспортную табличку прибора, содержащую информацию о потребляемом газе.

### Для будущей транспортировки

- Сохраните оригинальную упаковочную коробку и перевозите прибор в ней. Следуйте указаниям, нанесенным на упаковке. Если оригинальная упаковочная коробка не сохранилась, заверните изделие в пузырчатую упаковку или поместите в плотный картон. Надежно заклейте клейкой лентой.
- Чтобы проволочная решетка и противень, которые хранятся внутри духовки, не повредили дверцу, поместите с внутренней стороны дверцы картонную полоску вровень с противнями. Прикрепите дверцу духового шкафа к боковым стенкам клейкой лентой.
- Закрепите накладки горелок и подставки для посуды клейкой лентой.
- Не поднимайте и не передвигайте духовой шкаф, держась за дверцу или за ручку дверцы.

**i** Не размещайте на приборе никаких предметов и не ставьте его вертикально.

**i** Осмотрите прибор снаружи на предмет возможных повреждений при транспортировке.

## 4 Подготовка к эксплуатации

### Рекомендации по экономии электроэнергии

Эти рекомендации помогут вам использовать изделие экологически чистым способом и экономить электроэнергию.

- Используйте в духовом шкафу темную или эмалированную посуду: это позволит улучшить теплопередачу.
- Прогревайте духовой шкаф перед приготовлением пищи, если это рекомендуется в руководстве пользователя или в инструкциях по приготовлению продуктов.
- Во время приготовления пищи не открывайте дверцу духового шкафа слишком часто.
- По возможности старайтесь готовить в духовом шкафу несколько блюд одновременно. При приготовлении пищи на решетку можно устанавливать по две емкости с продуктами.
- Готовьте блюда одно за другим. Духовой шкаф уже будет прогрет.
- Для экономии электроэнергии можно выключать духовой шкаф за несколько минут до окончания приготовления блюда. Не открывайте дверцу духового шкафа.
- Размораживайте замороженные продукты перед приготовлением.
- Готовьте пищу в закрытой посуде. При приготовлении в открытой посуде энергопотребление может возрасти в 4 раза.
- Выбирайте конфорку соответственно размеру дна посуды. Обязательно выбирайте посуду соответственно объему приготовляемого блюда. Чем больше объем посуды, тем выше энергопотребление.

### Подготовка к эксплуатации Очистка прибора перед началом эксплуатации



Некоторые моющие средства и чистящие материалы могут повредить поверхность.

Не используйте для чистки агрессивные моющие средства, чистящие порошки/кремы, а также острые предметы.

1. Снимите все упаковочные материалы.
2. Протрите поверхность прибора влажной тканью или губкой и вытрите насухо.

### Первоначальный прогрев

Прогрейте прибор в течение 30 минут, а затем выключите. Это обеспечит выгорание и удаление производственных загрязнений и покрытий.



### ПРЕДУПРЕЖДЕНИЕ!

Горячие поверхности могут причинить ожоги!

Во время работы прибор может сильно нагреваться. Не прикасайтесь к горячим конфоркам, внутренним частям духового шкафа, нагревательным элементам и т.п. Не разрешайте детям приближаться к нему.

Помещая продукты в горячий духовой шкаф или вынимая их оттуда, обязательно пользуйтесь термостойкими перчатками.

### Электрический духовой шкаф

1. Выньте из духового шкафа все противни и решетку.
2. Закрыйте дверцу духового шкафа.
3. Выберите положение Static (Статический)
4. Включите гриль на максимальную мощность (см. раздел *Правила эксплуатации электрической духовки*, стр. 25).
5. Дайте духовому шкафу поработать около 30 минут.



6. Затем выключите духовой шкаф (см. раздел *Правила эксплуатации электрической духовки, стр. 25*).

### **Духовой шкаф с грилем**

1. Выньте из духового шкафа все противни и решетку.
2. Закройте дверцу духового шкафа.
3. Включите гриль на максимальную мощность (см. раздел *Как пользоваться грилем, стр. 28*).

4. Дайте духовому шкафу поработать около 30 минут.

5. Затем выключите духовой шкаф (см. раздел *Как пользоваться грилем, стр. 28*).



При первом включении в течение нескольких часов возможно выделение дыма и запаха. Это вполне нормально. Убедитесь, что кухня хорошо проветривается, чтобы удалить дым и запах. Не вдыхайте выделяющиеся дым и запахи.

## 5 Правила эксплуатации варочной панели

### Общие сведения о приготовлении пищи



Не заполняйте кастрюлю растительным маслом более чем на одну треть. При нагревании масла не оставляйте варочную панель без присмотра. Остерегайтесь возгорания раскаленных масел. **Не тушите огонь водой!** При возгорании масла накройте посуду одеялом или влажной тканью. По возможности выключите варочную панель и позвоните в пожарную службу.

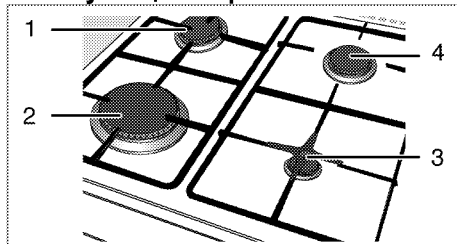
- Перед жареньем продукты нужно обязательно обсушивать. Опускайте продукты в горячий жир с осторожностью. Замороженные продукты перед жареньем следует полностью разморозить.
- Посуду, в которой разогревается жир, накрывать нельзя.
- Посуду следует ставить на плиту таким образом, чтобы ручки не нагревались над горячей поверхностью плиты. Не ставьте на плиту неустойчивую посуду, которая легко опрокидывается.
- Не ставьте на включенные конфорки пустую посуду – это может привести к ее повреждению.
- Не оставляйте включенными конфорки, на которых нет посуды – это может привести к повреждению плиты. Обязательно выключайте конфорки после окончания приготовления пищи.
- Не ставьте на плиту пластмассовую или алюминиевую посуду, так как на горячей поверхности они могут расплавиться. Такую посуду также не следует использовать для хранения пищевых продуктов.
- Можно использовать только посуду с плоским дном.

- Размер посуды должен соответствовать количеству продуктов. Тогда продукты не будут выплескиваться из посуды, и не придется лишний раз мыть плиту. Не кладите на конфорки крышки кастрюль. Размещайте посуду по центру конфорки. Если нужно переместить посуду на другую конфорку, поднимите ее и переставьте. Ни в коем случае не передвигайте посуду по поверхности плиты.

### Приготовление пищи на газовой конфорке

- Диаметр пламени должен соответствовать размеру посуды. Пламя газовой конфорки следует регулировать таким образом, чтобы оно не выходило за пределы дна посуды. Посуду следует ставить по центру конфорки.

### Эксплуатация варочных панелей



- 1 Нормальная конфорка 18-20 см
- 2 Конфорка быстрого нагрева 22-24 см
- 3 Дополнительная конфорка 12-18 см
- 4 Нормальная конфорка 18-20 см список рекомендованных диаметров посуды для использования на соответствующих конфорках.

Большой символ пламени соответствует максимальному уровню мощности, а маленький символ пламени – минимальному. В положении «выключено» (верхняя точка) подача газа к горелкам прекращается.

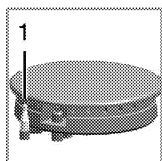
### Розжиг газовых горелок

1. Прижмите регулятор горелки и поверните его против часовой стрелки в сторону большого символа пламени.
- » При этом вспыхнет искра, и газ загорится.
3. Установите нужный уровень мощности.

### Выключение газовых горелок

Поверните регулятор зоны подогрева в положение «Выключено» (вверх).

### Система предотвращения утечки газа (в моделях с термопарой)



1. Система предотвращения утечки газа

Горелки снабжены предохранительным механизмом, прекращающим подачу газа, если пламя внезапно погаснет, например, его зальет жидкость.

- Для розжига прижмите регулятор и поверните его против часовой стрелки.
- Чтобы включить систему защиты, после воспламенения газа удерживайте регулятор в нажатом положении еще 3-5 секунд.
- Если после нажатия и отпускания регулятора пламя погаснет, повторите те же действия, удерживая регулятор в нажатом положении в течение 15 секунд.



#### ОПАСНО:

Если в течение 15 секунд розжиг горелки не произошел, отпустите кнопку.

Повторите попытку не ранее, чем через 1 минуту. Существует риск накопления газа и взрыва!

## 6 Правила эксплуатации духовки

### Общие сведения о выпекании, жарении и приготовлении с грилем



#### ПРЕДУПРЕЖДЕНИЕ!

Горячие поверхности могут причинить ожоги!

Во время работы прибор может сильно нагреваться. Не прикасайтесь к горячим конфоркам, внутренним частям духового шкафа, нагревательным элементам и т.п. Не разрешайте детям приближаться к нему.

Помещая продукты в горячий духовой шкаф или вынимая их оттуда, обязательно пользуйтесь термостойкими перчатками.



#### ОПАСНО:

Будьте осторожны, открывая дверцу духового шкафа, так как наружу может выходить пар.

Выпускаемый пар может обжечь вам руки, лицо и/или глаза.

### Советы по выпеканию

- Используйте антипригарные металлические тарелки или алюминиевые контейнеры с соответствующим покрытием, либо термостойкие силиконовые формы.
- Рационально используйте площадь решетки.
- Устанавливайте форму для выпекания в середине решетки.
- Выбирайте правильное положение решетки перед включением духового шкафа или гриля. Не изменяйте положение решетки, когда духовой шкаф горячий.
- Держите закрытой дверцу шкафа.

### Советы по приготовлению жареных блюд

- Тушку курицы или индейки и большие куски мяса перед приготовлением рекомендуется сбрызнуть лимонным соком и посыпать черным перцем. Тогда готовое блюдо будет вкуснее.

- Мясо с костями следует жарить на 15-30 минут дальше, чем такое же количества мяса без костей.
- На каждый сантиметр толщины мяса требуется приблизительно 4-5 минут времени приготовления.
- По истечении времени приготовления мяса оставьте его в духовом шкафу примерно на 10 минут. Сок лучше распределится внутри куска жареного мяса и не будет вытекать, когда вы будете разрезать мясо.
- Рыбу в термостойкой посуде следует готовить на решетке, установленной на средний или нижний уровень.

### Советы по приготовлению продуктов на гриле

При приготовлении на гриле мясо, рыба или птица быстро подрумянивается, сверху образуется хрустящая корочка, и продукт не пересыхает. На гриле можно отлично приготовить не только тонкие куски мяса, шашлыки и сосиски, но и овощи с большим содержанием жидкости (например, помидоры и лук).

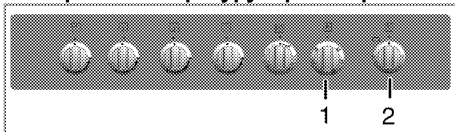
- Для приготовления на гриле разложите куски продуктов на решетке или на противне с решеткой так, чтобы площадь, занимаемая продуктами, соответствовала размерам нагревательного элемента.
- Вставьте решетку или противень с решеткой в духовку на нужный уровень. Если продукты готовятся на решетке, установите на нижний уровень поддон для сбора жира. Для облегчения чистки поддона налейте в него немного воды.



Продукты, которые не подходят для приготовления на гриле, могут привести к возгоранию. На гриле можно готовить только такие продукты, которые выдерживают интенсивный нагрев. Не размещайте продукты слишком близко к задней части гриля. Эта зона нагревается сильнее всего, и жирные продукты могут загореться.

## Правила эксплуатации электрической духовки

### Выберите температуру и режим работы



- 1 Ручка выбора функции
  - 2 Ручка термостата
1. Настройте таймер духовки на нужную продолжительность приготовления (см. раздел ).
  2. Установите нужную температуру с помощью регулятора температуры.
  3. Установите нужный режим работы с помощью ручки выбора функций.  
» После нагрева духовки в ней будет поддерживаться заданная температура. Во время нагрева будет светиться индикатор температуры.

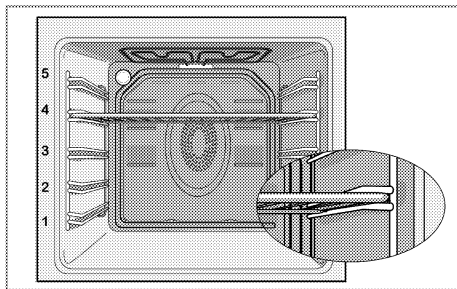
### Выключение электрической духовки

Переведите таймер духовки в положение отключения.



Когда таймер установлен на определенное время, он выключается автоматически (см. ).

Поверните ручку выбора функций и регулятор температуры в положение отключения (вверх).



### Уровни духовки (для моделей с грилем)

Правильно устанавливайте решетку в направляющие. Решетку следует вставить между направляющими, как показано на рисунке.

Следите за тем, чтобы решетка не упиралась в заднюю стенку духовки. Чтобы гриль нормально работал, выдвиньте решетку к передней части направляющих и отрегулируйте ее положение с помощью дверцы.

### Режимы работы

Приведенная здесь последовательность режимов работы может отличаться от вашей модели.

### Нагрев сверху и снизу



Работают оба нагревательных элемента — и верхний, и нижний. Продукты подгреваются одновременно сверху и снизу. Этот режим подходит, например, для тортов, разной выпечки, а также кексов и запеканок в формах. Готовьте только с одним противнем.

### Нагрев снизу



Работает только нижний нагревательный элемент. Подходит для выпечки пиццы и дополнительного обжаривания продуктов с нижней стороны. Эта функция также упрощает очистку паром.

## Нагрев сверху и снизу с использованием вентилятора



Работают верхний и нижний нагревательные элементы, а также вентилятор, расположенный на задней стенке. Горячий воздух равномерно распределяется внутри духовки с помощью вентилятора. Готовьте только с одним противнем.

## Full grill (Усил. гриль)



Работает большой гриль на потолке духовки. Подходит для приготовления на гриле больших порций мяса.

- Для приготовления на гриле положите большие или средние порции под нагревательный элемент гриля на соответствующий уровень полки духового шкафа.
- Установите температуру на максимальный уровень.
- Когда пройдет половина времени, отведенного на приготовление, переверните продукт.

## Grill+Fan (Гриль+вентилятор)



Действие гриля не такое сильное, как в режиме усиленного гриля

- Для приготовления блюд в этом режиме расположите под нагревателем гриля на соответствующем уровне духовки небольшое или среднее количество продукта.
- Установите нужную температуру.
- Когда пройдет половина времени, отведенного на приготовление, переверните продукт.

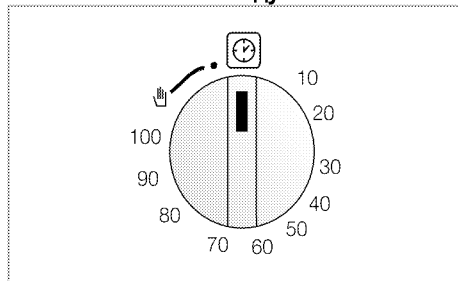
## Ускоренный нагрев



Этот режим используется для быстрого разогрева духовки и не подходит для приготовления пищи.

- Выберите этого режим, а затем выберите нужную температуру. При этом включится индикатор температуры, и духовка начнет нагреваться.
- После окончания процесса нагрева индикатор погаснет. Теперь можно выбрать нужную функцию для приготовления пищи.

## Использование часов духовки



## Подготовка к работе и приготовление блюд



Для подготовки духовки к работе необходимо выбрать нужный режим и температуру приготовления, а также установить время. В противном случае духовка работать не будет.

1. Задайте продолжительность приготовления, повернув ручку Time Adjustment (Установка времени) по часовой стрелке.
2. Поставьте блюдо в духовой шкаф.
3. Выберите режим работы и температуру (см. *Правила эксплуатации электрической духовки, стр. 25.*)  
» Духовка разогреется до заданной температуры, которая будет поддерживаться

до установленного времени окончания приготовления.

- По истечении заданного времени приготовления ручка Time Adjustment (Установка времени) автоматически повернется против часовой стрелки. Прозвучит звуковой сигнал, означающий, что заданное время истекло, и прибор выключится.



Если таймер не используется, выключите его, повернув ручку против часовой стрелки к символу руки.

- Духовку можно выключить с помощью регулятора времени, ручки выбора функций и регулятора температуры.

## Досрочное выключение духовки

- Поверните регулятор Time Adjustment (Установка времени) против часовой стрелки до упора.
- Выключите духовку с помощью ручки выбора функций и регулятора температуры.

## Время приготовления блюд



Значения времени в этой таблице следует считать справочными. Они могут изменяться в зависимости от температуры продуктов, толщины, вида и ваших кулинарных предпочтений.

## Выпечка и жарение



1-й полкой духового шкафа является нижняя полка.

Блюдо	Количество уровней размещения		Уровень размещения	Температура (°C)	Примерное время приготовления (мин.)
**Выпечка на противне	Один уровень		3	175	30 ... 45
**Выпечка в форме	Один уровень		3	175	30 ... 50
**Выпечка в кулинарной бумаге	Один уровень		3	160 ... 170	20 ... 30
**Бисквит	Один уровень		3	180 ... 200	10 ... 20
**Печенье	Один уровень		3	160 ... 170	20 ... 30
**Изделия из теста	Один уровень		3	200	20 ... 30
**Сдобная выпечка	Один уровень		3	190	25 ... 35
**Закваска	Один уровень		3	190	20 ... 40
**Лазанья	Один уровень		2	180	25 ... 45
**Пицца	Один уровень		2	200	15 ... 25
Бифштекс (куском)/жаркое	Один уровень		2	25 мин. 220, затем 180 ... 190	80 ... 100
Баранья нога (запеканка)	Один уровень		2	25 мин. 220, затем 180 ... 190	60 ... 90
Жареная курица	Один уровень		2	15 мин. 250/max, затем 190	55 ... 65
Индейка (кусками)	Один уровень		2	25 мин. 250/max, затем 190	60 ... 100
Рыба	Один уровень		3	200	20 ... 30

(\*\*) При приготовлении продуктов, требующих предварительного разогрева духового шкафа, разогревайте его в начале приготовления, пока не погаснет лампочка термостата.

## Советы по выпечке

- Если изделие получается слишком сухим, следует повысить температуру примерно на 10°C и сократить время приготовления.

- Если изделие получается сырым, следует уменьшить количество жидкости или понизить температуру на 10°C.
- Если верхняя корочка слишком зарумянивается, следует поставить изделие ниже, понизить температуру и увеличить время приготовления.
- Если изделие хорошо пропекается, но снаружи пригорает, следует уменьшить количество жидкости, понизить

температуру и увеличить время приготовления.

### Советы по выпечке

- Если изделие получается слишком сухим, следует повысить температуру примерно на 10°C и сократить время приготовления. Смажьте слои теста смесью из молока, растительного масла, яиц и йогурта.
- Следите за тем, чтобы толщина изделия не превышала глубины противня, иначе оно будет долго выпекаться.
- Если верхний слой изделия подгорает, а нижний остается сырым, возможно, в нижнем слое изделия слишком много начинки. Чтобы изделие ровно подрумянивалась, старайтесь равномерно распределять начинку между слоями теста и по поверхности изделия.



При выпечке изделий из теста соблюдайте режим и температуру, указанные в таблице рецептов. Если нижний слой изделия плохо пропекается, в следующий раз поставьте противень на один уровень ниже.

### Советы по приготовлению овощных блюд

- Если овощи выпускают сок и становятся слишком сухими, готовьте их не на противне, а в сковороде под крышкой. В закрытой посуде сок сохранится.
- Если овощное блюдо остается сыроватым, прежде чем готовить овощи в духовом шкафу, можно их проварить или пробланшировать.

### Приготовление блюд на электрическом гриле

Продукты	Уровень размещения	Время приготовления на гриле (прибл.)
Рыба	4..5	20..25 мин. *
Курица (куски)	4..5	25..35 мин.
Отбивные из молодой баранины	4..5	20..25 мин.
Ростбиф	4..5	25..30 мин. #
Отбивные из телятины	4..5	25..30 мин. *
Гренки	4	1..2 мин.

\* в зависимости от толщины

### Как пользоваться грилем



#### ПРЕДУПРЕЖДЕНИЕ!

Закрывайте дверцу во время приготовления пищи на гриле. Горячие поверхности могут причинить ожоги!

- При приготовлении в режиме гриля поверните регулятор времени по часовой стрелке и установите на значок **Hand (Рука)**.

#### Включение гриля

1. Поверните ручку выбора функций и установите на нужный значок режима «Гриль».
2. Затем установите нужную температуру жаренья.
3. При необходимости прогрейте гриль около 5 минут.  
» При этом включится индикаторная лампочка температуры.

#### Выключение гриля

1. Поверните ручку выбора функций в положение отключения (вверх).



Продукты, которые не подходят для приготовления на гриле, могут привести к возгоранию. На гриле можно готовить только такие продукты, которые выдерживают интенсивный нагрев. Не размещайте продукты слишком близко к задней части гриля. Эта зона нагревается сильнее всего, и жирные продукты могут загореться.

### Время приготовления блюд на гриле



## 7 Уход и техническое обслуживание

### Общие сведения

Регулярно выполняйте чистку прибора. Это позволит продлить срок его службы, а также избежать многих проблем.



#### ОПАСНО:

Перед выполнением работ по обслуживанию и чистке отключите прибор от электрической сети. Существует риск поражения электрическим током!



#### ОПАСНО:

Дайте изделию остыть, прежде чем приступать к чистке. Горячие поверхности могут причинить ожоги!

- Прибор следует тщательно чистить после каждого использования. Так легче удалять остатки пищи, которые могут пригореть при следующем использовании прибора.
- Для чистки прибора не требуются специальные чистящие средства. Прибор можно вымыть теплой водой с добавлением жидким моющего средства, используя мягкую ткань или губку. А затем протереть сухой тканью.
- Обязательно протирайте прибор насухо после чистки и сразу же удаляйте попавшую на него жидкость.
- Не используйте для чистки ручки и поверхностей из нержавеющей стали чистящие средства, содержащими кислоту или хлор. Эти детали можно протирать мягкой тканью, смоченной в жидком моющем средстве (без абразивных добавок), стараясь тереть в одном направлении.



Некоторые моющие средства и чистящие материалы могут повредить поверхность.

Не используйте для чистки агрессивные моющие средства, чистящие порошки/кремы, а также острые предметы.



Не используйте для чистки устройства пароочистители, поскольку это может привести к поражению электрическим током.

### Чистка варочной панели

#### Газовые варочные панели

1. Снимите и вымойте конфорки и накладки горелок.
2. Вымойте варочную панель.
3. Аккуратно установите накладки горелок на свои места.
4. При установке верхних решеток следите за тем, чтобы горелки находились точно по центру конфорок.

#### Чистка панели управления

Очистьте панель управления и ручки-регуляторы влажной тканью и вытрите насухо.



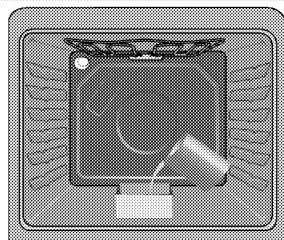
Для чистки панели управления не снимайте кнопки/ручки-регуляторы. Так можно повредить панель управления!

### Чистка духовки

#### Простая очистка паром

Это упрощает чистку, поскольку грязь (после кратковременного ожидания) смягчается паром, образующимся в духовом шкафу, и каплями воды, конденсирующимися на внутренних поверхностях духового шкафа.

1. Выньте из духового шкафа все принадлежности.
2. Поставьте на дно духового шкафа металлическую емкость. Налейте в нее 400 мл воды.



- Установите духовой шкаф на режим нагревания снизу, который будет работать 25 минут при температуре 200°C.
- Откройте дверцу и протрите внутренние поверхности духового шкафа влажной губкой или тканью.
- Стойкую грязь следует удалять теплой водой с жидким моющим средством, используя мягкую ткань или губку, а после чистки следует вытирать прибор сухой тканью.

### Чистка дверцы духовки

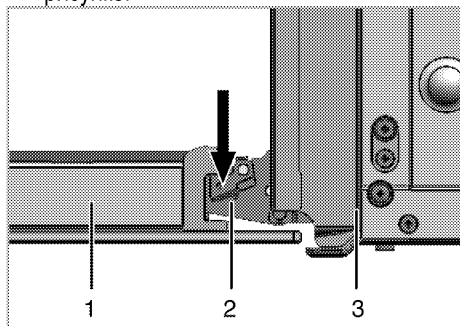
Мойте дверцу духовки мягкой тканью или губкой, смоченной в теплой воде с добавлением жидкого моющего средства, и вытирайте сухой тканью.



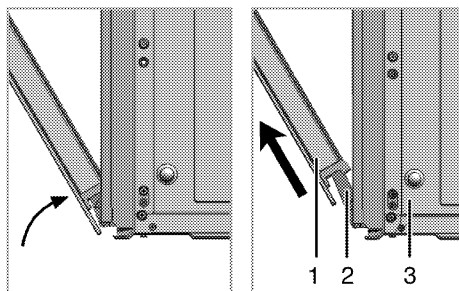
Не используйте для чистки дверцы моющие средства с абразивными веществами или металлические скребки. Они могут поцарапать поверхность и повредить стекло.

### Снятие дверцы духового шкафа

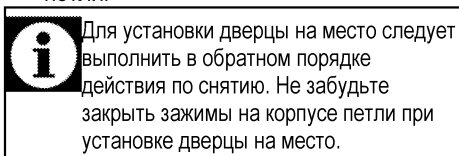
- Откройте переднюю дверцу (1).
- Откройте зажимы на корпусе петли (2) с правой и левой стороны передней дверцы, нажав на них, как показано на рисунке.



- Передняя дверца
- Петля
- Духовой шкаф



- Откройте переднюю дверцу наполовину.
- Снимите переднюю дверцу, потянув ее вверх и освободив от правой и левой петли.

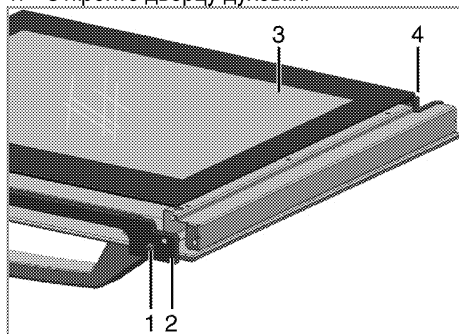


Для установки дверцы на место следует выполнить в обратном порядке действия по снятию. Не забудьте закрыть зажимы на корпусе петли при установке дверцы на место.

### Снятие внутреннего стекла дверцы

Внутреннее стекло панели дверцы духового шкафа можно снять для чистки.

- Откройте дверцу духовки.



- Винт
  - Пластмассовый профиль
  - Внутреннее стекло
  - Пластмассовый держатель
- Открутите отверткой винт (1)
  - Выньте профиль (2), а затем внутреннее стекло (3).
  - После чего соберите дверь, установив стекло (3) в пластмассовые держатели (4) и сгруппировав профиль.

## Замена лампочки освещения духового шкафа



### ОПАСНО:

Во избежание поражения электрическим током, прежде чем заменять лампочку, убедитесь в том, что электроприбор отсоединен от сети и остыл. Горячие поверхности могут причинить ожоги!



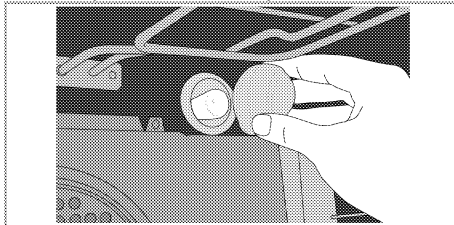
Для освещения духового шкафа используется специальная электрическая лампочка, которая может выдерживать температуру до 300 С. Дополнительные сведения см. в разделе "*Технические характеристики*, стр. 13". Лампочки освещения духового шкафа можно приобрести в фирменных сервисных центрах.



Расположение лампочки может отличаться от изображения на рисунке.

## Замена круглой лампочки освещения духового шкафа

1. Отсоедините духовой шкаф от электросети.
2. Снимите стеклянный плафон, повернув его против часовой стрелки.



3. Выверните лампочку освещения духовки, поворачивая ее против часовой стрелки, и установите на ее место новую.
4. Установите на место стеклянный плафон.

## 8 Поиск и устранение неисправностей

### Во время работы из духового шкафа выделяется пар.

- Вполне нормально, если пар выделяется во время работы. >>> *Это не является неисправностью.*

### При нагревании и охлаждении прибор издает металлические шумы.

- При нагревании металлические детали могут расширяться и издавать звуки. >>> *Это не является неисправностью.*

### Прибор шкаф не работает.

- Плавкий предохранитель неисправен или сработал. >>> *Проверьте плавкие предохранители в блоке предохранителей. При необходимости замените их или включите.*
- Духовой шкаф не включен в (заземленную) розетку электросети. >>> *Проверьте соединение штепсельной вилки.*

### Освещение духовки не работает.

- Лампочка освещения духового шкафа неисправна. >>> *Замените лампочку освещения шкафа.*
- Нет электропитания. >>> *Проверьте наличие электропитания. Проверьте предохранители в блоке предохранителей. При необходимости замените или включите предохранители.*

### Духовка не нагревается.

- Не задана функция или температура. >>> *Выберите функцию и установите температуру с помощью переключателя функций и (или) регулятора температуры.*
- В моделях, оснащенных таймером, таймер не установлен. >>> *Установите время. (В моделях с микроволновой печью управление по таймеру действует только для микроволновой печи).*
- Нет электропитания. >>> *Проверьте наличие электропитания. Проверьте предохранители в блоке предохранителей. При необходимости замените или включите предохранители.*

### При розжиге не вспыхивает искра.

- Нет тока. >>> *Проверьте предохранители в блоке предохранителей.*
- Не установлено время. >>> *Установите время.*

### Газ не поступает.

- Перекрыт общий газовый кран. >>> *Откройте газовый кран.*
- Перегиб газового шланга. >>> *Правильно расположите газовый шланг.*

### Горелки плохо горят или вообще не горят.

- Горелки засорены. >>> *Очистите компоненты горелки.*
- Горелки влажные. >>> *Просушите компоненты горелки.*
- Накладка горелки плохо установлена. >>> *Правильно установите накладку горелки.*
- Перекрыт газовый кран. >>> *Откройте газовый кран.*
- Газовый баллон пуст (при использовании сжиженного газа). >>> *Замените газовый баллон.*

### (В моделях с таймером) Цифровой индикатор времени мигает, или светится символ часов.

- Ранее произошло отключение электроэнергии. >>> *Установите время / Выключите духовой шкаф и включите снова.*



Если вы не можете устранить неполадки, несмотря на выполнение инструкций, приведенных в данном разделе, обратитесь к представителю авторизованной сервисной службы. Не пытайтесь самостоятельно отремонтировать неисправный электроприбор.

Виробник: "Arçelik A.S."  
"Arçelik A.S.", м. Стамбул, Сютлюдже, вул. Караагач №2-6, 34445, Туреччина  
(Karaağaç Caddesi No:2-6 Sütlüce, 34445, Turkey)

Офіційний представник на території України: ТОВ «Беко Україна»,  
адреса: 01021, м. Київ, вул. Кловський узвіз, буд. 5 тел/факс.: 0-800-500-4-3-2  
Термін служби десять років

Інформацію про сертифікацію продукту Ви можете уточнити, зателефонувавши на гарячу лінію  
0-800-500-4-3-2.

Дата виробництва міститься в серійному номері продукту, що вказаний на етикетці, розташованій на  
продукті, а саме, перші дві цифри серійного номера позначають рік виробництва, а останні дві - місяць.

Наприклад, «10-100001-05» означає, що продукт виготовлений в травні 2010 року.





