

**GB** **COOKER HOOD** - User instructions

**CZ** **ODSAVAČ PAR** - Návod k použití

**DK** **EMHÆTTE** - Brugervejledning

**FIN** **LIESITUULETIN** – Käyttöohje

**GR** **ΑΠΟΡΡΟΦΗΤΗΡΑΣ ΣΕ ΕΚΔΟΣΗ ΑΠΟΡΡΟΦΗΣΗΣ** – Εγχειρίδιο χρήσης

**H** **ELSZÍVÓ KÜRTŐ** – Használati utasítás

**N** **AVTREKKSAPPE** – Bruksanvisning

**PL** **OKAP ZASYSAJĄCY** - Instrukcja obsługi

**R** **HOTĂ ASPIRANTĂ** – Manual de utilizare

**RUS** **ВЫТЯЖНОЙ КОЛПАК** - Руководство пользователя

**S** **SPISKÅPA** – Bruksanvisning



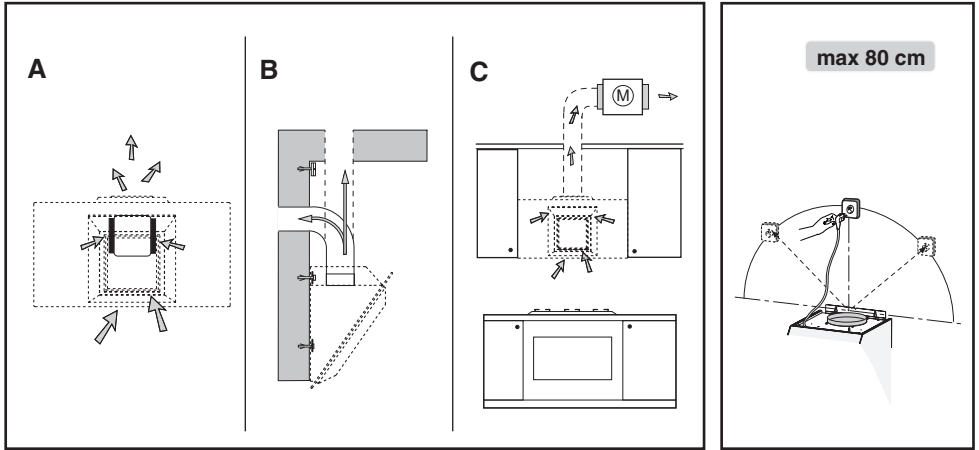


Fig.1

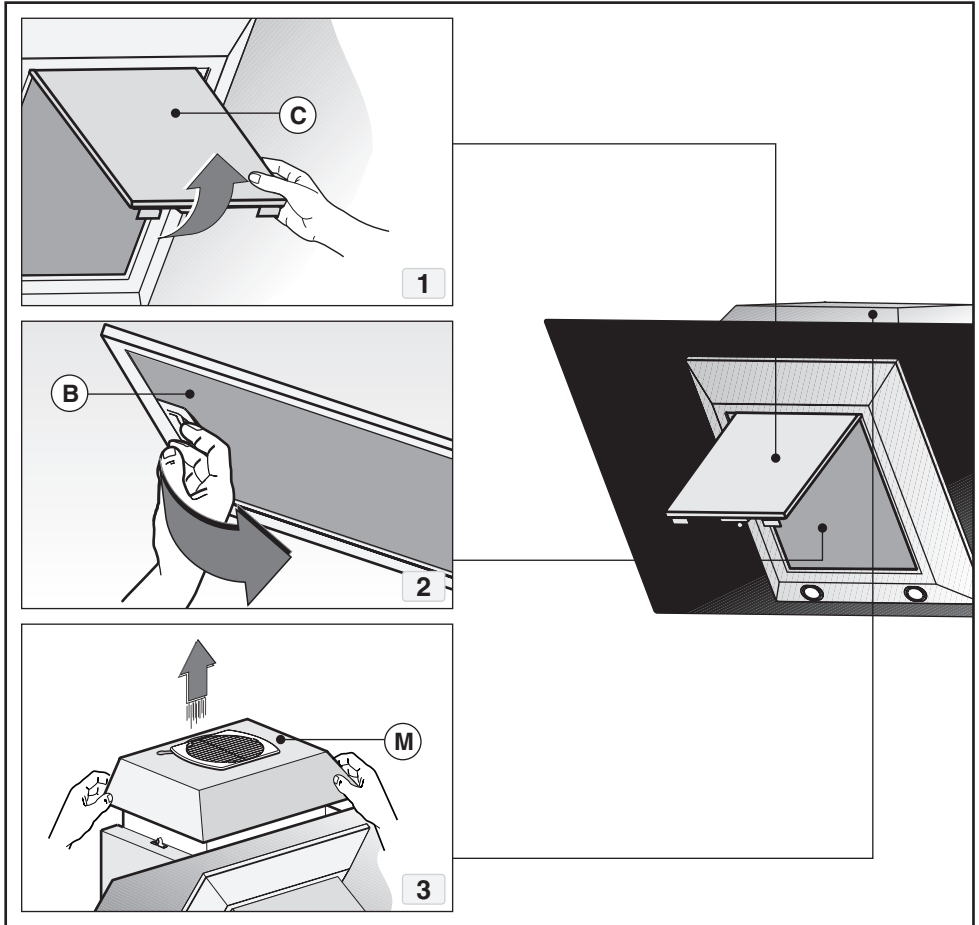


Fig.2

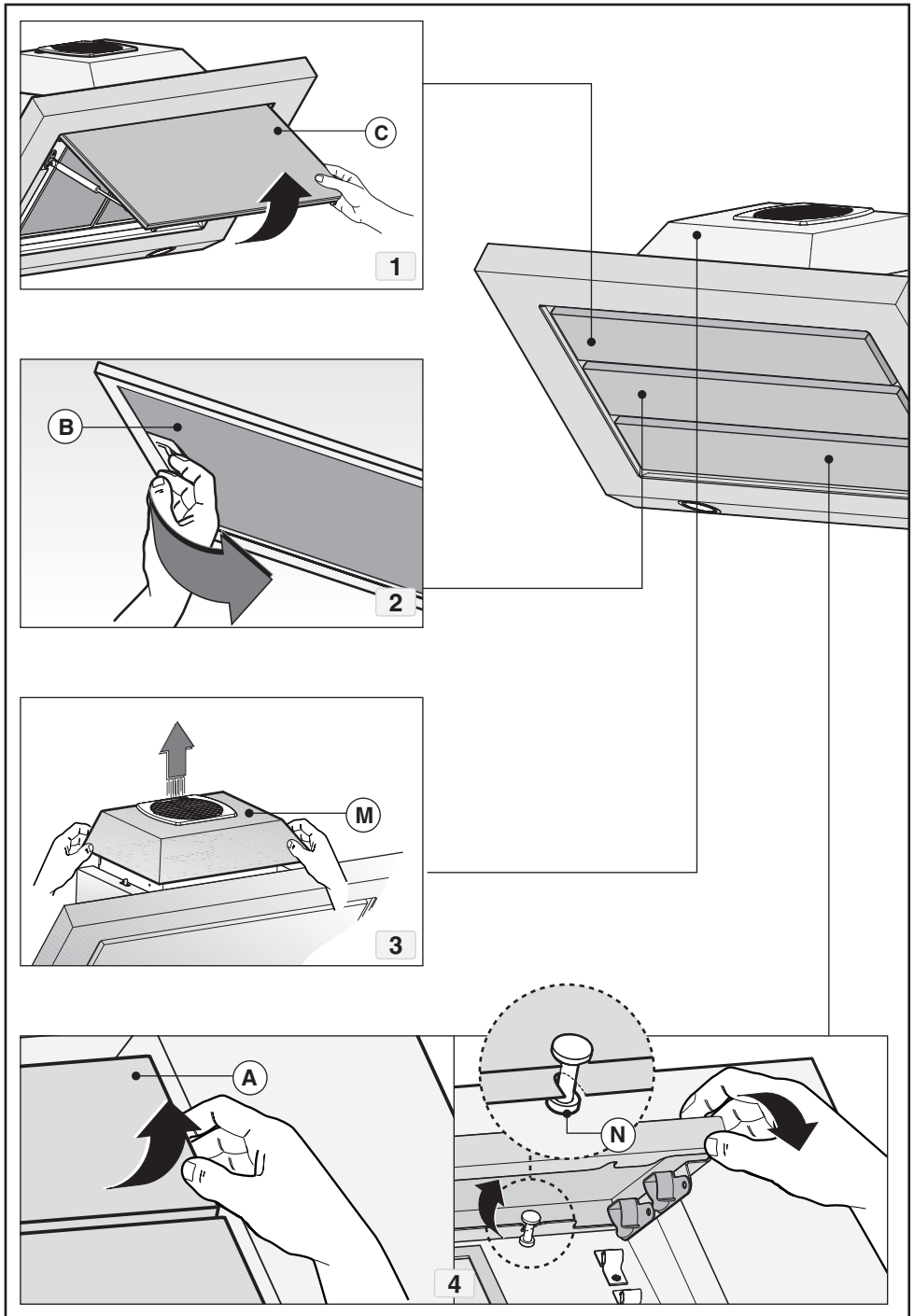


Fig.3

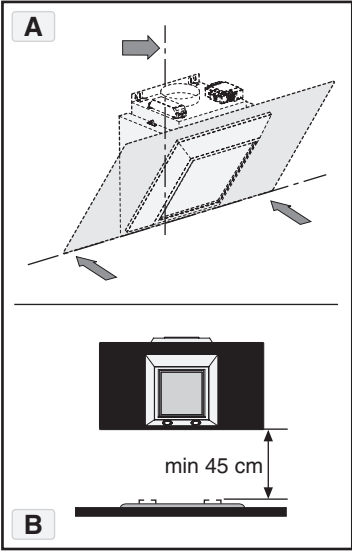


Fig.4

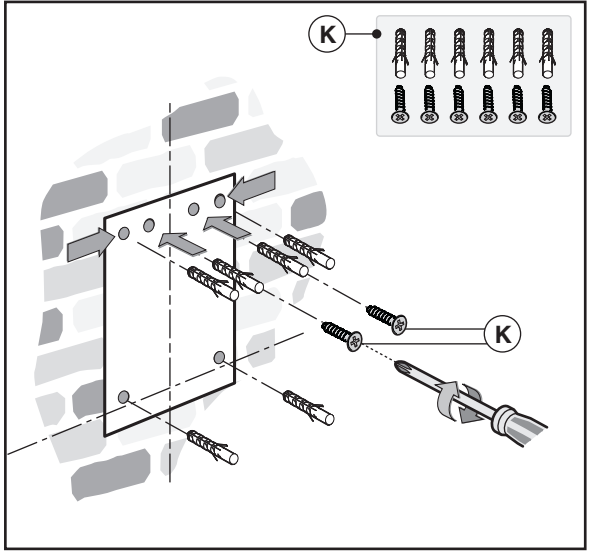


Fig.5

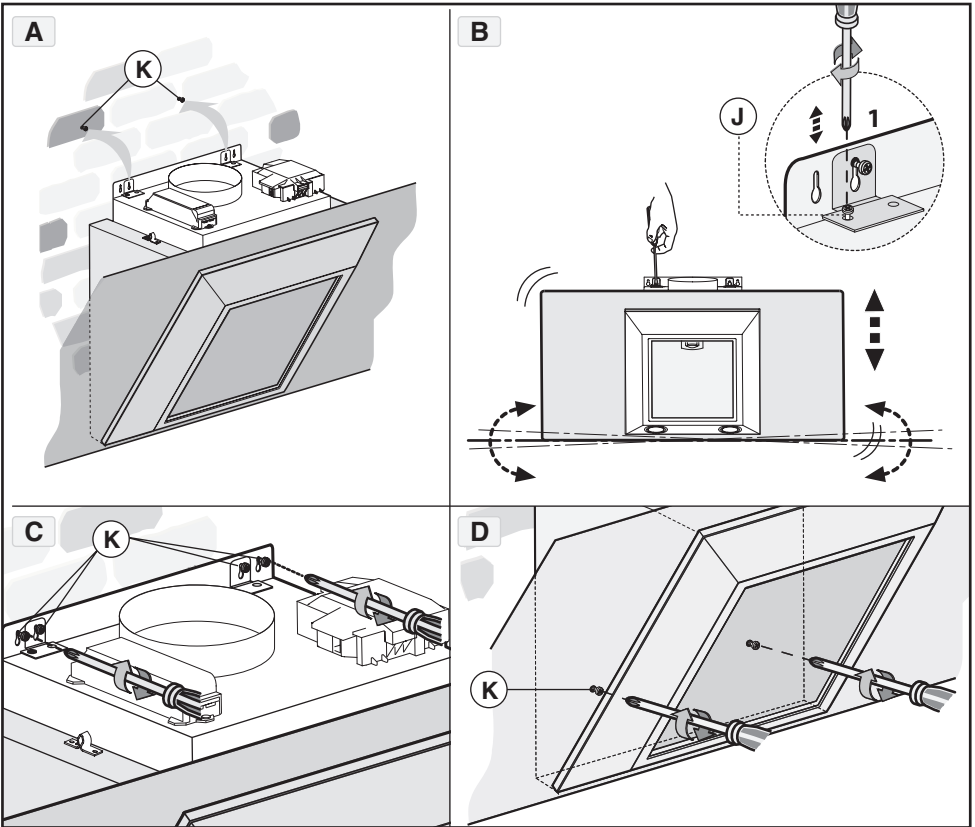


Fig.6

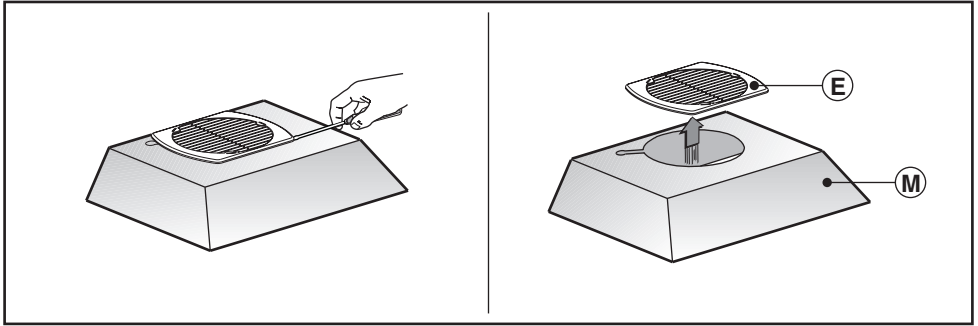


Fig.7

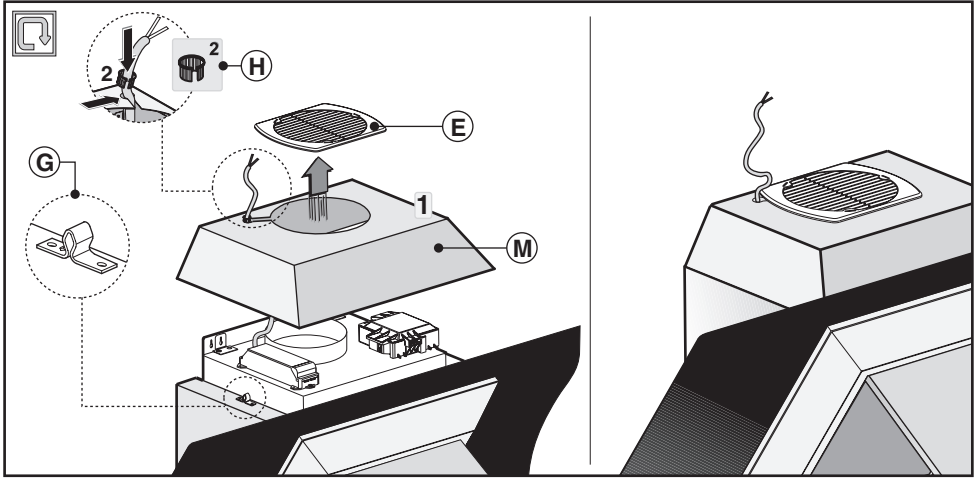


Fig.8

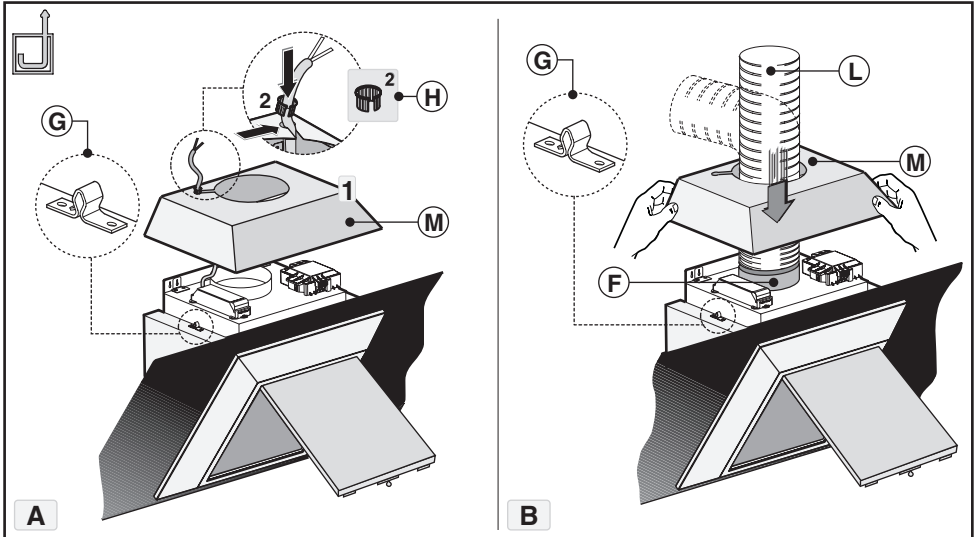
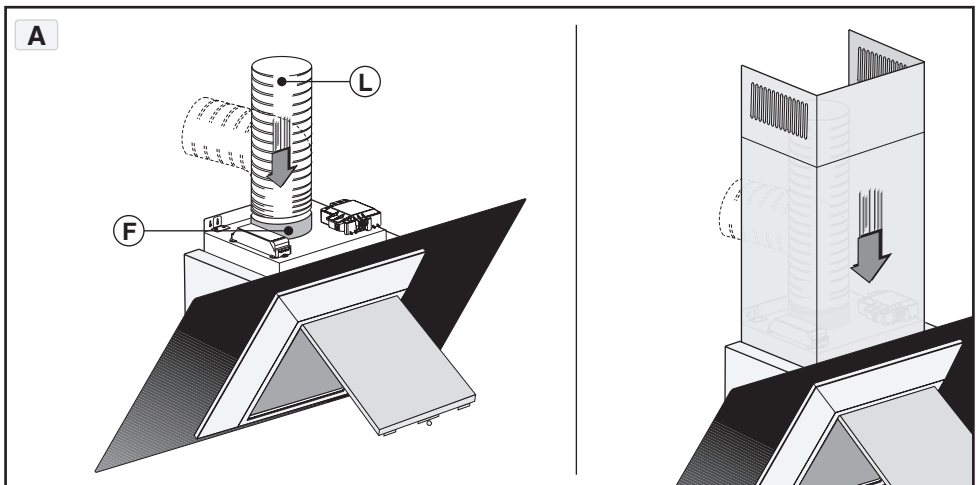
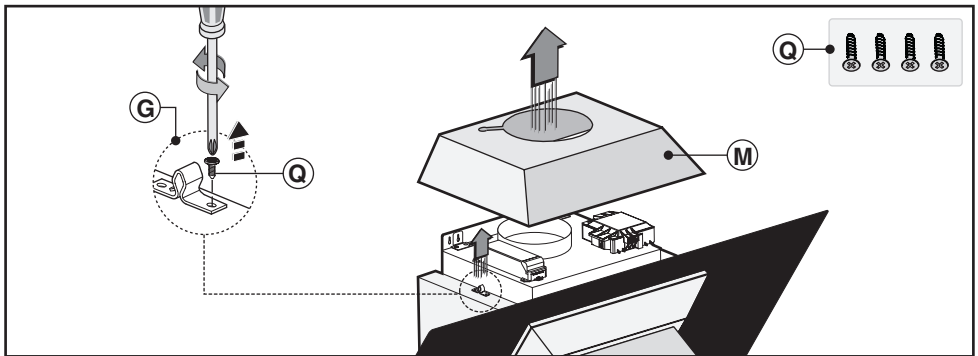
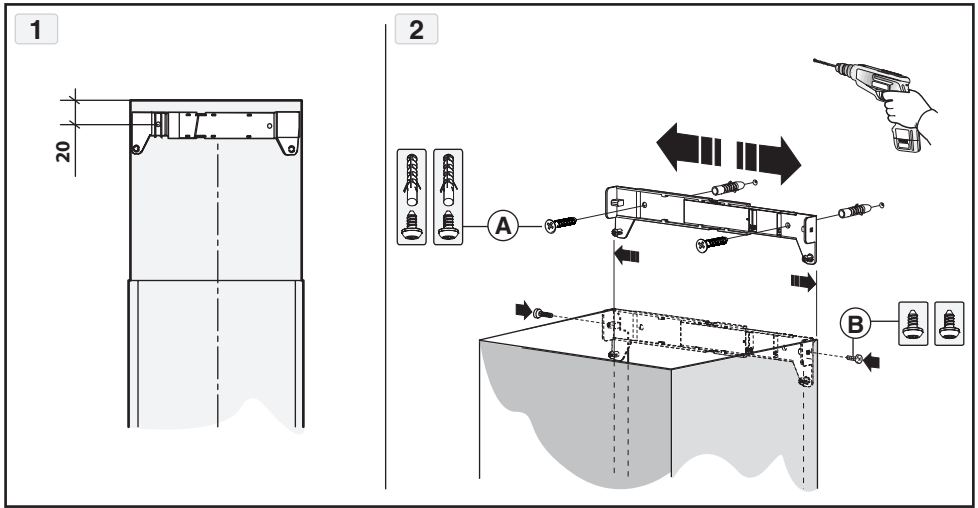


Fig.9



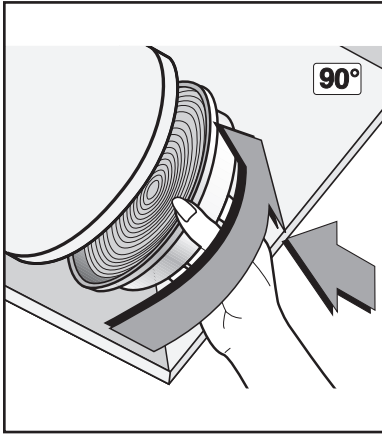


Fig.13

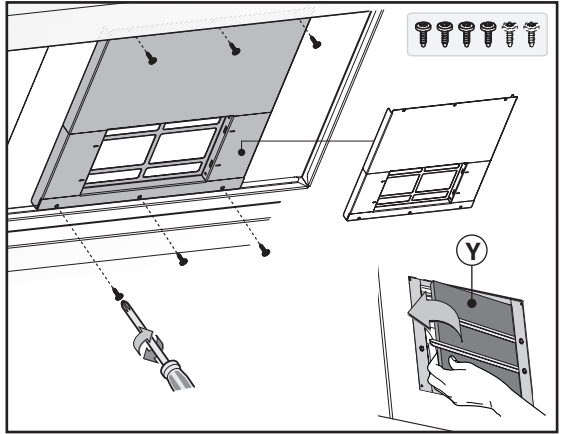


Fig.14

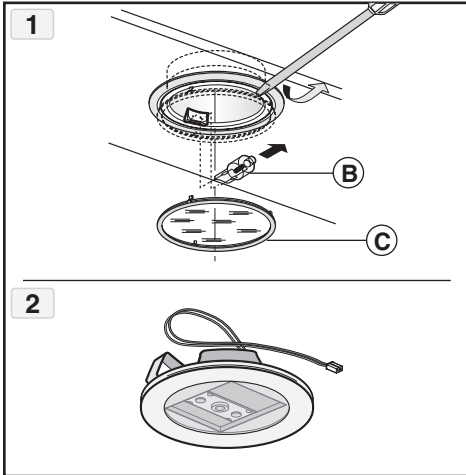


Fig.15

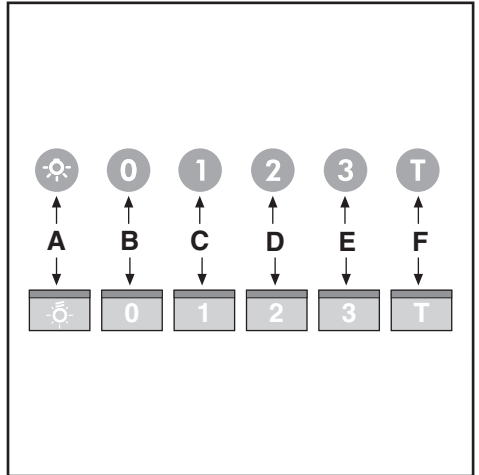


Fig.16

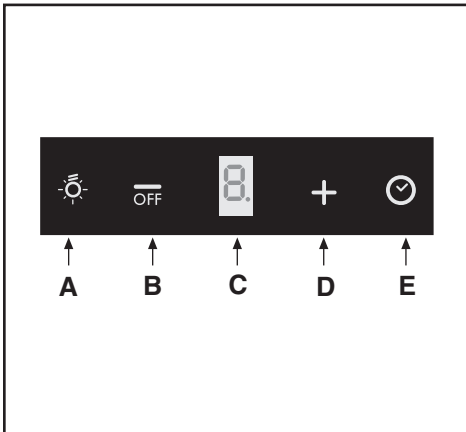


Fig.17

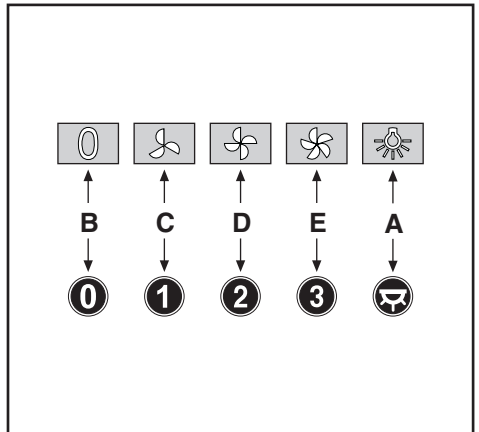


Fig.18



**GENERAL**

Carefully read the following important information regarding installation safety and maintenance. Keep this information booklet accessible for further consultations. The appliance has been designed for use in the ducting version (air exhaust to the outside – Fig.1B), filtering version (air circulation on the inside – Fig.1A) or with external motor (Fig.1C).

**SAFETY PRECAUTION**

1. Take care when the cooker hood is operating simultaneously with an open fireplace or burner that depend on the air in the environment and are supplied by other than electrical energy, as the cooker hood removes the air from the environment which a burner or fireplace need for combustion. The negative pressure in the environment must not exceed 4Pa (4x10<sup>-5</sup> bar). Provide adequate ventilation in the environment for a safe operation of the cooker hood. Follow the local laws applicable for external air evacuation.

**Before connecting the model to the electricity network:**

-Control the data plate (positioned inside the appliance) to ascertain that the voltage and power correspond to the network and the socket is suitable. If in doubt ask a qualified electrician.

-If the power supply cable is damaged, it must be replaced with another cable or a special assembly, which may be obtained direct from the manufacturer or from the Technical Assistance Centre.

-This device must be connected to the supply network through either a plug fused 3A or hardwired to a 2 fase spur protected by 3A fuse.

**2. Warning!**

**In certain circumstances electrical appliances may be a danger hazard.**

**A) Do not check the status of the filters while the cooker hood is operating.**

**B) Do not touch bulbs or adjacent areas, during or straight after prolonged use of the lighting installation.**

**C) Flambè cooking is prohibited underneath the cooker hood.**

**D) Avoid free flame, as it is damaging for the filters and a fire hazard.**

**E) Constantly check food frying to avoid that the overheated oil may become a fire hazard.**

**F) Disconnect the electrical plug prior to any maintenance.**

**G) This appliance is not intended for use by young children or infirm persons without supervision.**


**H) Young children should be supervised to ensure they do not play with the appliance**

**I) There shall be adequate ventilation of the room when the rangehood is used at the same time as appliances burning gas or other fuels.**

**L) There is a risk of fire if cleaning is not carried out in accordance with the instructions.**

This appliance conforms to the European Directive EC/2002/96, Waste Electrical and Electronic Equipment (WEEE). By making sure that this appliance is disposed of in a suitable manner, the user is helping to prevent potential damage to the environ-

ment or to public health.

The  symbol on the product or on the accompanying paperwork indicates that the appliance should not be treated as domestic waste, but should be delivered to a suitable electric and electronic appliance recycling collection point. Follow local guidelines when disposing of waste. For more information on the treatment, re-use and recycling of this product, please contact your local authority, domestic waste collection service or the shop where the appliance was purchased.


**INSTALLATION INSTRUCTIONS**


• **Assembly and electrical connections must be carried out by specialised personnel.**

• **Wear protective gloves before proceeding with the installation.**

**• Electric Connection:**

Note! Verify the data label placed inside the appliance:

-If the symbol  appears on the plate, it means that no earth connection must be made on the appliance, therefore follow the instructions concerning insulation class II.

-If the symbol  DOES NOT appear on the plate, follow the instructions concerning insulation class I.

**Insulation class II**

-The appliance has been manufactured as a class II, therefore no earth cable is necessary. The plug must be easily accessible after the installation of the appliance. If the appliance is equipped with power cord without plug, a suitably dimensioned omnipolar switch with 3 mm minimum opening between contacts must be fitted between the appliance and the electricity supply in compliance with the load and current regulations.

-The connection to the mains is carried out as follows:

BROWN = **L** line

BLUE = **N** neutral.

**Insulation class I**


This is a **class I**, appliance and must therefore be connected to an efficient earthing system.

-The appliance must be connected to the electricity supply as follows:

BROWN = **L** line

BLUE = **N** neutral

YELLOW/GREEN =  earth.

The neutral wire must be connected to the terminal with the **N** symbol while the **YELLOW/GREEN**, wire must be connected to the terminal by the earth symbol .

When connecting the appliance to the electricity supply, make sure that the mains socket has an earth connection. After fitting the ducted cooker hood, make sure that the electrical plug is in a position where it can be accessed easily. If the appliance is connected directly to the electricity supply, an omnipolar switch with a minimum contact opening of 3 mm must be placed in between the two; its size must be suitable for the load required and it must comply with current legislation.

• The minimum distance between the support surfaces of the cooking pots on the cooker top and the lowest part of the cooker hood must be at least **45 cm**. If a connection tube composed of two parts is used, the upper part must be placed

outside the lower part. Do not connect the cooker hood exhaust to the same conductor used to circulate hot air or for evacuating fumes from other appliances generated by other than an electrical source. Before proceeding with the assembly operations, remove the anti-grease filter(s) (Fig.2.2 - Fig.3.2) so that the unit is easier to handle.

- In the case of assembly of the appliance in the suction version prepare the hole for evacuation of the air.

• We recommend the use of an air exhaust tube which has the same diameter as the air exhaust outlet hole. If a pipe with a smaller diameter is used, the efficiency of the product may be reduced and its operation may become noisier.

• If the appliance is supplied with the small cupola **M** remove it by releasing it as indicated in Fig.2.3 - Fig.3.3.

Before proceeding with the assembly operations, for easier manoeuvrability of the appliance disengage the anti-grease filter by pulling handle **B** as indicated in Fig.2.2 - Fig.3.2.

If one owns a model with perimeter suction panel, before carrying out this operation, perform the following phases:

- Open panel **C** as indicated in Fig.2.1 - Fig.3.1.

- If one owns the version with three **A** panels release them from the fixing pins by pulling outwards (Fig.3.4) and then remove them from safety pins **N** (Fig.3.4) placed inside the hood. To put them back perform the operation in reverse order. **ATTENTION! During this disassembly and assembly operation ensure to hold the panel securely to prevent accidental falls.**

#### • Wall mounting:

Trace the bottom side of the hood on the wall. Consider the measurements shown in Fig.4A and minimum distance from the cooking surface (Fig.4B).

- Position the fixing template on the wall, making sure that the line coincides with the line previously made on the wall.  
- Mark the fixing holes and cut them into the material (Fig.5).  
- Fix the 2 top screws **K** and screw anchors (Fig.5), without tightening them completely.

- Position the appliance at the wall (Fig.6A).

- Make sure the 2 levelling screws **J** are tightened (Fig.6B.1).

- Align the appliance horizontally using the two levelling screws **J** (Fig.6B.1).

- Once the adjustment has been made, fasten the hood permanently using the screws **K** (Fig.6C - Fig.6D).

- For easy accessibility to the motor unit in the case of assistance, after having levelled and fixed the appliance definitively, we recommend that the brackets are removed (Fig.6B.1).

- When carrying out the fixing operations, use only screws and screw anchors suited to the type of wall (e.g. reinforced concrete, plasterboard etc.).

- If the screws and screw anchors are supplied with the appliance, make sure that they are suited to the type of wall to which the hood must be fixed.

#### • Installation of models without decorative ducts:

##### Extractor hood

- Unclip the canopy **M** and remove the grille **E** (Fig.7).

- Pass the power supply cable through the slot in the canopy **M**, as indicated in Fig.9A.1.

- Taking the grommet **H**, position it between the power cable and the slot (Fig.9A.2).

- Connect the flexible hose **L** (not supplied) to the hood (Fig.9B).

- Re-position the small cupola **M** paying attention that it is hitched perfectly to the fixing pins **G** (Fig.9B).

#### • Filtering version:

- Unclip the canopy **M** and remove the grille **E** (Fig.7).

- Pass the power supply cable through the slot in the canopy **M**, as indicated in Fig.8.1.

- Taking the grommet **H**, position it between the power cable and the slot (Fig.8.2).

- Fix the small cupola **M** and the grille **E** making sure that it is perfectly hooked on to the fastening pins **G** (Fig.8).

#### • Optional accessories:

This model may have decorative ducts as optional accessories - ask your retailer for information.

Before installing decorative flues it is necessary to remove the small cupola **M** and loosen the 4 screws **Q** that lock the fastening pins **G** as shown in Fig.11.

#### • Installation of models with decorative ducts:

##### Extractor hood

Make sure the electrical power supply is within the measurements of the decorative connector. Adjust the width of the support bracket of the top connector (Fig.10.2). Then fix it to the ceiling so that it is on the same axis as the hood using screws **A** and observing the distance from the ceiling shown in Fig.10.1. Connect flange **F** to the air exhaust hole using flexible hose **L** (Fig.12A). Slide the top connector inside the lower duct and place this on the body (Fig.12B). Pull out the top duct as far as the bracket and secure it using screws **B** (Fig.10.2). To transform the hood from a ducting version into a filtering version, ask your dealer for the charcoal filters and follow the installation instructions.

#### • Filter hood:

##### Please note:

The filters must be ordered from your dealer as an accessory.

- To transform the hood from the **SUCTION** version to the **FILTERING** version, charcoal filters must be ordered from your dealer as an accessory. Two types of kit are available, one with non-renewable filters (Fig.13) and the other with renewable filters (washable) (Fig.14). Unlike traditional carbon filters, this carbon filter can be washed and reactivated for approximately 12-15 times. With normal hood use, this filter should be cleaned once every 2-3 months. The filter can be washed into a dishwasher at the highest temperature using a standard dishwasher detergent. After washing, dry the filter in the oven at 100°C for 10-15 minutes to reactivate it. The filter will retain its odour-absorbing capacity for three years, after which it will have to be replaced.

- If a bracket is found in the packaging like that indicated in Fig.14 loosen the screws already installed inside the hood and install the bracket using the previously-removed screws.

- To replace re-usable carbon filters **Y**, remove the brackets from their seat, pulling them outwards (Fig.14).

- If your product is not supplied with the bracket, it means that the active charcoal filter cannot be renewed (Fig.13). These must be applied to the suction unit inside the hood, centring them in it and turning them 90° until they snap into place (Fig.13).

## USE AND MAINTENANCE

• We recommend that the cooker hood is switched on before any food is cooked. We also recommend that the appliance is left running for 15 minutes after the food is cooked, in order

to thoroughly eliminate all contaminated air.

The effective performance of the cooker hood depends on constant maintenance; the anti-grease filter and the active carbon filter both require special attention.

- **The anti-grease filter** is responsible retaining the grease particles suspended in the air, therefore it is subject to clogging with variable frequency according to the use of the appliance.

- To prevent the danger of possible fires, at least every 2 months one must wash the anti-grease filters by hand using non-abrasive neutral liquid detergents or in the dishwasher at low temperatures and on short cycles.

- After a few washes, colour alterations may occur. This does not give the right to claim their replacement.

- **The active carbon filters** are used to purify the air that is sent back into the room and its function is to mitigate the unpleasant odours produced by cooking.

- The non-regenerable active carbon filters must be replaced at least every 4 months. The saturation of the active charcoal depends on the more or less prolonged use of the appliance, on the type of kitchen and on the frequency with which anti-grease filter is cleaned.

- Regenerable active charcoal filters must be washed by hand, with non abrasive neutral detergents, or in the dishwasher at a maximum temperature of 65°C (the washing cycle must be complete without dishware). Remove excess water without damaging the filter, remove the plastic parts, and let the mat dry in the oven for at least 15 minutes approximately at a maximum temperature of 100°C. To keep the regenerable charcoal filter functioning efficient this operation must be repeated every 2 months. These must be replaced at least every 3 years or when the mat is damaged.

- **Before remounting the anti-grease filters and the regenerable active charcoal filters it is important that they are completely dry.**

- Clean the hood frequently, both internally and externally, using a cloth dampened with denatured alcohol or neutral liquid detergents that are **non** abrasive.

- The lighting system is designed for use during cooking and not for the prolonged general lighting of the room. The prolonged use of the lighting system significantly decreases the average duration of the bulbs.

- If the appliance is equipped with **courtesy lights** it is possible to use them for general room lighting for a prolonged amount of time.

- **Attention:** the non compliance with the hood cleaning warnings and with the replacement and cleaning of the filters entails risk of fires. One therefore recommends keeping to the suggested instructions.

#### • Replacing halogen light bulbs (Fig.15.1):

To replace the halogen light bulbs **B**, remove the glass pane **C** using a lever action on the relevant cracks.

Replace the bulbs with new ones of the same type.

**Caution:** do not touch the light bulb with bare hands.

#### • Replacing LED lamps (Fig.15.2):

If the appliance version is with **LED** lamps, the intervention of a specialised technician is necessary to replace them.

- **Commands Luminous (Fig.16)** the key symbols are explained below:

**A** = LIGHT

**B** = OFF

**C** = SPEED I

**D** = SPEED II

**E** = SPEED III

#### **F** = AUTOMATIC STOP TIMER - 15 minutes (\*)

If your appliance is equipped with the **INTENSIVE** speed function, start from level **THREE** speed and keeping the button **E** pressed for about 2 seconds, this function activates for about 10 minutes after which it goes back to the previously set speed.

When the function is active the LED flashes. To interrupt it before the 10 minutes have expired press key **E** again.

By pressing key **F** for two seconds (with the hood switched off) the "**clean air**" function is activated. This function switches the appliance on for ten minutes every hour at the first speed. As soon as this function is activated the motor starts up at the first speed for ten minutes. During this time key **F** and key **C** must flash at the same time. After ten minutes the motor switches off and the LED of key **F** remains switched on with a fixed light until the motor starts up again at the first speed after fifty minutes and keys **F** and **C** start to flash again for ten minutes and so on. By pressing any key for the exclusion of the hood light the hood will return immediately to its normal functioning (e.g. if key **D** is pressed the "**clean air**" function is deactivated and the motor moves to the 2nd speed straight away. By pressing key **B** the function is deactivated).

(\*) The "**AUTOMATIC STOP TIMER**" delays stopping of the hood, which will continue functioning for 15 minutes at the operating speed set at the time this function is activated.

#### • Anti-grease/active charcoal filters saturation:

- When the **A** key flashes with a **2 second** frequency the anti-grease filters must be washed.

- When the **A** key flashes with a **0.5 second** frequency the active carbon filters must be replaced or washed depending on the type of filter.

Once the clean filter has been put back one must reset the electronic memory by pressing the **A** key for approximately **5 seconds** until it stops flashing.

#### • Commands (Fig.17):

**Push-button A** = On/off lights switch.

**Push-button B** = Switches the motor on/off. The appliance switches on at speed level 1. If the cooker hood is on depress the push-button for 2 sec. to switch off the cooker hood.

If the cooker hood is at speed level 1 it will not be necessary to depress the push-button to switch the cooker hood off. Decreases the motor speed.

**Display C** = Indicates the motor speed level selected and activates the timer.

**Push-button D** = Switches the motor on. Increases the motor speed. Touching the key at 3rd speed, the intensive function runs for 10', then the appliance go back to work at the original speed. During this function the display blinks.

**Key E** = The Timer times the functions on activation for 15 minutes, after which they are switched off. The Timer is deactivated by re-pressing Key **E**. When the Timer is activated the decimal point must flash on the display. The Timer cannot be activated if the intensive speed is functioning.

The "**clean air**" function is activated by pressing key **E** for 2 seconds when the appliance is switched off. This switches the motor on for 10 minutes every hour at the first speed. During functioning a rotary movement of the peripheral segments must be visualised on the display. When this time has passed the motor switches off and the fixed letter "**C**" must be visualised on the display until the motor re-starts after 50 minutes for another 10 minutes and so on. Press any key apart from

the light keys to return to normal functioning. Press key **E** to deactivate the function.

• **Active carbon/grease filter saturation:**

-When display item **C** flashes, at a speed where it alternates with the letter **F** (e.g. 1 and **F**), the grease filters must be washed.

-When display item **C** flashes, at a speed where it alternates with the letter **A** (e.g. 1 and **A**), the active carbon filters must be replaced or washed depending on the type of filter.

After the clean filter has been positioned correctly, the electronic memory must be reset by pressing button **A** for approximately 5 seconds, until the indication **F** or **A** shown on the display **C** stops flashing.

• **Commands (Fig.18) Mechanical the key symbols are explained below:**

**A** = LIGHT

**B** = OFF

**C** = SPEED I

**D** = SPEED II

**E** = SPEED III.

**THE MANUFACTURER DECLINES ALL RESPONSIBILITY FOR EVENTUAL DAMAGES CAUSED BY BREACHING THE ABOVE WARNINGS.**

## ÚVOD

Přečtěte si pozorně obsah návodu, protože poskytuje důležité informace týkající se bezpečné instalace, používání i údržby zařízení. Uchovejte si návod pro jakoukoliv budoucí potřebu. Přístroj je určen k odsávání (odvádění vzduchu ven – Obr.1B), filtrování (recyklace vzduchu v místnosti – Obr.1A) nebo k použití s externě umístěným motorem (Obr.1C).

## BEZPEČNOSTNÍ OPATŘENÍ

1. Vyžaduje se opatrnost, jestliže jsou současně v činnosti odsávač par a jiný hořák nebo tepelné zařízení závisející na vzduchu místnosti a napájené jinou energií než elektrickou, protože odsávač par spotřebuje vzduch z okolí, který hořák nebo jiné tepelné zařízení potřebují ke spalování. Negativní tlak nesmí překročit 4Pa ( $4 \times 10^{-5}$  bar). K bezpečnému provozu je tedy nutná odpovídající ventilace místnosti. Při odvádění vzduchu do vnějšího prostředí je nutné se řídit platnými předpisy Vaší země.

### Před napojením modelu na elektrickou síť:

- Zkontrolujte tabulku s údaji umístěnou uvnitř přístroje a ověřte si, že napětí a výkon odpovídají místní síti a rovněž zásuvka je vhodná.

V případě jakékoliv pochyby se poraďte s kvalifikovaným elektrikářem.

- Je-li napájecí kabel poškozen, musí být nahrazen speciálním kabelem nebo sadou, které jsou k dispozici u výrobce nebo v jeho servisním středisku.

- Připojte zařízení k napájení prostřednictvím zástrčky s pojistkou 3A nebo ke dvěma vodičům dvou fází, chráněným pojistkou 3A.

## 2. UPOZORNĚNÍ!

**V některých situacích mohou být elektrická zařízení zdrojem nebezpečí.**

**A) Nekontrolujte stav filtrů, zatímco je odsavač v činnosti.**

**B) Nedotýkejte se žárovek a přilehlých prostor během dlouhodobého použití osvětlení nebo bezprostředně po něm.**

**C) Je zakázáno připravovat jídla na plameni pod odsavačem.**

**D) Vyhněte se použití volných plamenů, protože poškozují filtry a mohou způsobit požár.**

**E) Udržujte neustále pod kontrolou smažení jídel, aby se zabránilo vznícení rozpáleného oleje.**

**F) Před zahájením údržby odpojte zástrčku ze zásuvky elektrického rozvodu.**

**G) Zařízení není určeno pro použití dětmi nebo nespěprávnými osobami bez dozoru.**


**H) Dohlížejte na děti, abyste si byli jisti, že si nehrají se zařízením.**

**I) Když je odsavač používán současně se zařízeními spalujícími plyn nebo jiná paliva, místnost se musí vhodně větrat.**

**L) Když nebudou řádně provedeny úkony údržby, existuje riziko vzniku požáru.**

Toto zařízení je označeno v souladu s Evropskou směrnicí 2002/96/ES, Waste Electrical and Electronic Equipment (WEEE). Tím, že se uživatel ujistí o správné likvidaci tohoto výrobku,

přispívá k předcházení případným negativním následkům na životní prostředí a na zdraví.


Symbol  na výrobku nebo na přiložené dokumentaci poukazuje na to, že se s tímto výrobkem nesmí zacházet jako s běžným domovním odpadem, ale musí se odeslat do vhodné sběrné určené pro recyklaci elektrických a elektronických zařízení. Zařízení se musíte zbavit v souladu s místními předpisy pro likvidaci odpadu. Podrobnější informace o zacházení s tímto výrobkem, jeho opětovném použití a recyklaci můžete získat, když se obrátíte na příslušný místní úřad, sběrnou službu domovního odpadu nebo obchod, ve kterém jste výrobek zakoupili.


## NÁVOD K INSTALACI

- **Operace spojené s montáží a elektrická napojení musí být provedeny pouze odborným personálem.**
- **Používat ochranné rukavice pro provádění operací montáže.**

### Elektrické zapojení:

Poznamka! Zkontrolujte štítek umístěný uvnitř zařízení:

- Když se na štítku nachází symbol , znamená to, že zařízení nesmí být uzemněno, postupujte tudíž podle pokynů týkajících se třídy izolace II.

- Když na štítku **NENI** uveden symbol , postupujte dle pokynů týkajících se třídy izolace I.

### Třída izolace II

Zařízení je vyrobeno v II. třídě, a proto žádný vodič nesmí být uzemněn.

Po instalaci zařízení musí být zástrčka snadno přístupná.

V případě, že je zařízení vybaveno kabelem bez zástrčky, je pro jeho připojení do elektrického rozvodu třeba mezi zařízení a elektrický rozvod zapojit omnipolární stykač s minimální vzdáleností kontaktů 3mm, navržený pro příslušnou zátěž a odpovídající platným normám.

Napojení k elektrické síti musí být provedeno následovně:

HNĚDÁ = L vodič

MODRÁ = N neutrální vodič


### Třída izolace I


Toto zařízení je vyrobeno ve třídě I, a proto musí být připojeno k uzemnění.

Připojení k elektrické síti musí být provedeno následovně:

HNĚDÝ = L fázový vodič

MODRÝ = N nulový vodič

ŽLUTO/ZELENÝ =  zemnicí vodič.

Nulový vodič musí být připojen ke svorce označené symbolem **N**, zatímco **ŽLUTO/ZELENÝ** vodič musí být připojen ke svorce nacházející se v blízkosti symbolu uzemnění .

Během operace elektrického zapojení se ujistěte, zda je elektrická zásuvka vybavena uzemněním.

Po uskutečnění montáže odsavače dávejte pozor, aby byla poloha zástrčky elektrického přívodu snadno dostupná.

V případě přímého zapojení k elektrické síti je třeba mezi zařízení a elektrickou síť zapojit omnipolární stykač s minimální vzdáleností kontaktů 3mm, navržený pro příslušnou zátěž a odpovídající platným normám.

- Minimální vzdálenost mezi opernou plochou varných nádob na varném zařízení a nejnižším bodem kuchyňského krytu

musí být alespoň **45 cm**. Vývod odsavače nesmí být napojen na vývod, ve kterém cirkuluje teplý vzduch, nebo který je používán k odvádění kouře ze zařízení napájených jinou energií než elektrickou. Před zahájením montáže vyjměte z odsavače tukový filtr (Obr.2.2 - Obr.3.2). Usnadněte si tak manipulaci s přístrojem.

- V případě montáže přístroje ve verzi odsavače je třeba připravit otvor k evakuaci vzduchu.

• Doporučuje se použít trubku pro odvádění vzduchu se stejným průměrem jako hrdlo výstupu vzduchu. Použití redukce by mohlo negativně ovlivnit vlastnosti výrobku a zvýšit hloučnost.

• Je-li přístroj vybaven horním krytem **M** odstraňte jej jak je znázorněno na Obr.2.3 - Obr.3.3.

Před pokračováním v operacích montáže, pro usnadnění manévrování s přístrojem, vyberte filtr proti mastnotě potáhnutím rukojeti **B** jak je znázorněno na Obr.2.2 - Obr.3.2.

Pokud vlastníte model s obvodovým odsávacím panelem, před provedením této operace je zapotřebí dodržet následující fáze:

- Otevřete panel **C** jak je znázorněno na Obr.2.1 - Obr.3.1.

- Pokud vlastníte verzi se třemi panely **A** uvolněte je z upevňujících čepů jejich potáhnutím směrem ven (Obr.3.4) a následně je stáhněte z bezpečnostních čepů **N** (Obr.3.4) nacházejících se uvnitř odsavače. Pro jejich opětovné umístění postupujte opačně. **POZOR! Během této operace montáže a demontáže je zapotřebí se ujistit, že je panel pevně připojen, aby nedošlo k náhodným pádům.**

#### • Upevnění na stěnu:

Vyznačte na stěně spodní část odsavače, berouc v úvahu rozměry uvedené na Obr.4A a minimální vzdálenost od varní plochy (Obr.4B).

- Umístěte upevňovací šablonu na stěnu a dbejte přitom, aby se příslušná čára shodovala s čarou naznačenou v předcházejícím odstavci.

- Vyznačte a připravte montážní otvory (Obr.5).

- Upevněte 2 horní šrouby **K**, aniž byste je zcela zašroubovali; upevněte i rozpěrné kotvy (Obr.5).

- Umístěte přístroj na stěnu (Obr.6A).

- Dávejte pozor, aby 2 vyrovnávací šrouby **J** byli utaženi (Obr.6B.1).

- Vyrovnajte přístroj do horizontální polohy pomocí dvou vyrovnávacích šroubů **J** (Obr.6B.1).

- Po provedení regulace definitivně upevněte odsavač pomocí šroubů **K** (Obr.6C - Obr.6D).

- Pro snadnější přístup k jednotce motoru v případě zásahu po vyrovnávací a definitivním upevnění doporučujeme odstranit podpěrné svorky (Obr.6B.1).

- Při různých montážích používejte šrouby a rozpěrné kotvy vhodné pro daný druh stěny (např. z betonu, sádkkartonu atd.).

- V případě, že se šrouby a kotvy dodávají v příslušenství výrobku, se ujistěte, zda jsou vhodné pro daný druh stěny, ke které má být připevněn odsavač.

#### • Instalace pro modely bez estetických komínů:

##### Odsávací verze

- Odmontujte horní kryt **M** a odstraňte mřížku **E** (Obr.7).

- Nechte projít napájecí kabel otvorem horního krytu **M** znázorněným na Obr.9A.1.

- Vezměte trubku na přechod kabelů **H** a umístěte ji mezi napájecí kabel a otvor (Obr.9A.2).

- Zapojte flexibilní hadici **L** (není v dotaci) k odsavači

(Obr.9B).

- Opětovně umístěte horní kryt **M** a dávejte přitom pozor, aby se perfektně nasadil na čepy **G** (Obr.9B).

##### Filtrační verze:

- Odmontujte horní kryt **M** a odstraňte mřížku **E** (Obr.7).

- Nechte projít napájecí kabel otvorem horního krytu **M** znázorněným na Obr.8.1.

- Vezměte trubku na přechod kabelů **H** a umístěte ji mezi napájecí kabel a otvor (Obr.8.2).

- Opětovně umístěte horní kryt **M** a mřížku **E** dávejte přitom pozor, aby se perfektně nasadili na fixující čepy **G** (Obr.8).

##### • Volitelné příslušenství:

Tento model odsavače může být v rámci volitelného příslušenství vybaven estetickými komíny, o které je třeba požádat vašeho prodejce. Před instalací estetických komínů je zapotřebí odstranit horní kryt **M** a odšroubovat 4 šrouby **Q**, které blokuji fixující čepy **G** jak je znázorněno na Obr.11.

##### • Instalace pro modely s estetickými komíny:

###### Odsávací verze

Umístěte elektrické napájení uvnitř rozměrů estetického komínu.

Regulujte šířku podpěrné lišty vrchního estetického komínu (Obr.10.2).

Následně ji upevněte na stěnu pomocí šroubů tak, aby byla vyrovnána s osou vašeho odsavače **A** a respektovala vzdálenost uvedenou na Obr.10.1.

Připojte pomocí flexibilní hadice **L**, přírubu **F** k otvoru na odvádění vzduchu (Obr.12A).

Vložte vrchní estetický komín dovnitř spodního estetického komínu a umístěte jej na tělo odsavače (Obr.12B).

Vyjměte vrchní estetický komín až po svorku a upevněte jej pomocí šroubů **B** (Obr.10.2).

Budete-li chtít změnit funkci zařízení z odsavače na filtrační verzi, vyžádejte si u vašeho prodejce filtry s aktivním uhlíkem a sledujte montážní pokyny.

##### • Filtrační verze:

###### Pozor!

Filtry je zapotřebí objednávat jako příslušenství u vašeho prodejce.

- Pro transformaci odsavače z verze **ODSÁVACÍ** na verzi **FILTRAČNÍ** musejí být uhlíkové filtry objednány jako příslušenství u vašeho prodejce.

Máme k dispozici dva různé typy, jeden s neobnovitelnými filtry (Obr.13) a druhý s obnovitelnými filtry (omyvatelnými) (Obr.14).

Na rozdíl od ostatních uhlíkových filtrů se tento obnovitelný filtr může omyvat a použít dalších zhruba 12-15 krát.

Při normálním používání odsavače je zapotřebí čistit filtr každé 2-3 měsíce.

Filtr se může mýt v myčce při maximální teplotě a s použitím běžných čistících prostředků, určených pro myčky.

Po omytí obnovitelného filtru je zapotřebí vysušit jej v rouře při teplotě 100° pro jeho opětovnou aktivaci.

Filtr si zachovává svoji schopnost absorbovat zápachy po dobu tří let, pak je nutné jej vyměnit.

- Pokud v balení najdete podpěrnou svorku jako ta, co je znázorněna na Obr.14 je zapotřebí odšroubovat 4 šrouby již namontované uvnitř odsavače a nainstalovat ji pomocí 4 šroubů, které jste předtím odšroubovali.

- Pro výměnu obnovitelných uhlíkových filtrů **Y**, vyjměte podpěrné svorky z jejich míst potáhnutím směrem ven (Obr.14).



- Pokud váš výrobek není vybaven podpěrnou svorkou, znamená to, že aktivní uhlíkový filtr není obnovitelný (Obr.13). Tyto se musejí aplikovat na odsávací skupinu nacházející se uvnitř odsavače tak, že se umístí do středu odsavače a otáčí o 90 stupňů až dokud nenastane jejich úplné zacvaknutí na doraz (Obr.13).

## POUŽITÍ A ÚDRŽBA

• Doporučujeme uvést zařízení do činnosti ještě před zahájením přípravy jakéhokoliv jídla. Doporučujeme ponechat zařízení v činnosti i po dobu 15 minut po ukončení přípravy jídla, aby byl kompletně odveden zápachající vzduch. Správná činnost odsavače je podmíněna správnou a nepřetržitou údržbou; zvláštní pozornost je třeba věnovat protitukovému filtru a filtru s aktivním uhlím.

• **Protitukový filtr** má za úkol zachycovat mastné částice nacházející se ve vzduchu, proto je v průběhu proměnné doby vystaven upcávání; tato doba závisí na používání zařízení.

- Abyste předešli případnému nebezpečí požáru, je nutné nejméně jednou za dva měsíce nutné propláchnout filtry proti mastnotě v ruce pomocí neutrálních neabrazivních čisticích prostředků nebo v myčce na nádobí při nízkých teplotách v krátkém mycím programu.

- Po několika mytích může dojít ke změně barvy. Tento jev neopravňuje k reklamaci pro eventuální výměnu.

• **Filtry s aktivním uhlíkem** slouží pro pročištění vzduchu, který se vypouští do prostředí a pohlcují nepříjemné zápachy, které vznikají během vaření.

- Aktivní uhlíkové filtry, které nelze regenerovat, je zapotřebí měnit každé 4 měsíce. Saturace aktivního uhlíku závisí více-méně od délky používání přístroje, typu kuchyně a pravidelnosti, se kterou se provádí čištění filtru proti mastnotě.

- Aktivní uhlíkové filtry, které lze regenerovat, je možné mýt v ruce pomocí čisticích neutrálních a neabrazivních prostředků, anebo je možné je mýt v myčce na nádobí s maximální teplotou 65°C (cyklus mytí se musí provádět bez nádobí). Odstraňte přebytek vody bez toho, že byste poškodili filtry, odstraňte části z plastů a nechte vysušit podložku v ruce po dobu přibližně 15 minut o teplotě maximálně 100°C. Pro udržování funkčnosti uhlíkového filtru s možností regenerace je zapotřebí zopakovat tuto operaci každé 2 měsíce. Tyto filtry se musí vyměnit jednou za 3 roky anebo když je podložka poškozena.

• **Před opětovným namontováním filtru proti mastnotě a aktivních uhlíkových filtrů, které lze regenerovat, je důležité, aby byli pořádně suché.**

• Opakovaně čistěte odsavač, zevnitř i zvenčí, s použitím hadru navlhčeného v denaturovaném lihu nebo **neabrazivních** tekutých čisticích prostředcích.

• Osvětlení je navrženo pro použití během vaření a ne pro dlouhodobější použití za účelem osvětlení okolního prostředí. Dlouhodobější použití osvětlení výrazně snižuje průměrnou životnost žárovek.

• Pokud je přístroj vybaven osvětlením prostředí, toto může být používáno pro všeobecné dlouhodobé osvětlování daného prostředí.

• **Pozor:** nedodržování pokynů k čištění odsavače a výměny a čisticího filtru zapříčiní rizika požáru. Doporučuje se proto dodržovat tyto pokyny.

• **Výměna halogenových žárovek (Obr.15.1):**

Při výměně halogenových žárovek **B** sejměte skříčku **C** po jeho nadzvednutí v místě příslušných otvorů.

Žárovky nahradte novými žárovkami stejného druhu.

**Upozornění:** nedotýkejte se žárovky holými rukama.

• **Výměna žárovek LED (Obr.15.2):**

Je-li verze výrobku vybavena žárovkami **LED** pro jejich výměnu je potřebný zásah specializovaného technika.

• **Ovládání (Obr.16) Světelné následuje přehled symbolů:**

**Tlačítko A** = OSVĚTLENÍ

**Tlačítko B** = VYPNUTÍ

**Tlačítko C** = PRVNÍ RYCHLOST

**Tlačítko D** = DRUHÁ RYCHLOST

**Tlačítko E** = TŘETÍ RYCHLOST

**Tlačítko F** = ČASOVÝ SPÍNAČ AUTOMATICKÉ VYPNUTÍ 15 minut (\*)

Pokud je váš přístroj vybaven funkcí rychlosti **INTENZIVNÍ**, počínaje od **TŘETÍ** rychlosti podržením stisknutého tlačítka **E** po dobu zhruba 2 vteřin dojde k aktivaci na 10 minut, pak se automaticky vrátí na předem nastavenou rychlost.

Když je funkce aktivní, **LED** bliká. Pro přerušení před uplynutím 10 minut stisknout opětovně tlačítko **E**.

Po stisknutí tlačítka **F** po dobu **2 s** (kryt je vypnut) bude aktivována funkce "**clean air**". Tato funkce zapne motor na deset minut každou hodinu na první rychlost. Jakmile bude tato funkce aktivována, motor bude uveden do chodu na první rychlost po dobu 10 s, během které budou blikat současně tlačítka **F** a **C**. Po uplynutí této doby se motor vypne a led tlačítka **F** zustane osvětlen až do doby, kdy po 50 minutách bude znovu motor uveden do chodu na první rychlost a led **F** a **C** znovu začnou blikat po 10 minut a tak dále. Stisknutím kteréhokoliv tlačítka, kromě tlačítek osvětlení, se odsavač vrátí ke svému normálnímu fungování (např. stisknutím tlačítka **D** se deaktivuje funkce "**clean air**" a motor se nastaví na 2<sup>o</sup> rychlost; stisknutím tlačítka **B** se funkce deaktivuje).

(\*) Funkce "**ČASOVÝ SPÍNAČ AUTOMATICKÉ VYPNUTÍ**" opožďuje vypnutí odsavače, který bude pokračovat ve funkci pracovní rychlosti, která byla nastavena v okamžiku zapnutí této funkce, 15 minut.

• **Nasycení protitukových filtrů/filtrů s aktivním uhlím:**

- Blikání tlačítka **A** frekvencí **2 sek.** poukazuje na potřebu umytí protitukových filtrů.

- Když tlačítko **A** bliká s frekvencí **0,5 sek.**, filtry s aktivním uhlíkem je třeba umýt anebo vyměnit v závislosti od typu filtru.

Po vložení čistého filtru je třeba vynulovat elektronickou paměť stisknutím tlačítka **A** na dobu přibližně **5 sek.**, dokud tlačítko nepřestane blikat.

• **Ovládání (Obr.17):**

**Tlačítko A** = Rozsvítí/zhasne světla.

**Tlačítko B** = Zapne/vypne odsavač. Přístroj je uveden do chodu při první rychlosti. Je-li odsavač zapnutý, vypnete jej stisknutím tlačítka na 2 sek. Pokud se odsavač nachází ve fázi první rychlosti, není nezbytné dlouze stisknout tlačítko za účelem vypnutí. Snižuje se rychlost motoru.

**Displej C** = Ukazuje zvolenou rychlost motoru a uvedení do chodu časového spínače.

**Tlačítko D** = Zapne odsavač. Zvyšuje rychlost motoru. Stiskne-li se tlačítko od třetí rychlosti, je nastavena intenzivní funkce na 10 vteřin, pak se přístroj vrátí do fáze pracovní rychlosti v okamžiku uvedení do chodu. Během této funkce displej bliká.

**Tlačítko E** = Časovač slouží k časovému ovládání funkci v průběhu 15 minut po jeho aktivaci; po uplynutí uveden

doby se tyto funkce vypnou. Vypnutí časovače se provádí stisknutím tlačítka **E**. Aktivace funkce časovače musí být signalizována blikáním desetinné tečky na displeji. Je-li aktivována intenzivní rychlost, aktivace časovače není možná.

Stisknutím tlačítka **E** na 2 sekundy při vypnutém zařízení se aktivuje funkce "**clean air**". V rámci této funkce se motor zapne každou hodinu na 10 minut a během této doby se bude otáčet první rychlostí. Během jeho činnosti bude na displeji zobrazen rotační pohyb obvodových segmentů. Po uplynutí uvedené doby dojde k vypnutí motoru a na displeji musí být zobrazeno písmeno "**C**", aniž by blikalo, dokud nebude po uplynutí dalších 50 minut motor znovu spuštěn na 10 minut, a tak dále. Pro návrat k normálnímu provozu stiskněte jakékoli tlačítko kromě tlačítek světel. Pro deaktivaci funkce stiskněte tlačítko **E**.

• **Nasycení protitukových filtrů/filtrů s aktivním uhlím:**

- Když displej **C** bliká a střídavě zobrazuje provozní rychlost a písmeno **F** (např.1 a **F**), je třeba vyčistit protitukové filtry.

- Když displej **C** bliká, měnič rychlost provozu s písmenem **A** (např.1 a **A**) znamená to, že uhlíkové filtry je třeba vyměnit anebo vyčistit v závislosti od typu filtru.

Po vložení čistého filtru je třeba vynulovat elektronickou paměť stisknutím tlačítka **A** na dobu přibližně **5 sek.**, dokud signalizace **F** nebo **A** na displeji **C** nepřestane blikat.

• **Povely Mechanické (Obr.18):**

**A** = tlačítko osvětlení

**B** = tlačítko vypnuto (OFF)

**C** = tlačítko rychlost I

**D** = rychlost II

**E** = rychlost III.

**VÝROBCE ODMÍTÁ JAKOUKOLIV ZODPOVĚDNOST ZA ŠKODY ZPŮSOBENÉ NEDODRŽENÍM UVEDENÝCH UPOZORNĚNÍ.**



## GENERELLE OPLYSNINGER

Læs omhyggeligt indholdet af denne brugsanvisning, da den giver vigtige oplysninger vedrørende sikkerheden ved installation, brug og vedligeholdelse. Opbevar brugsanvisningen til senere brug. Apparatet er udarbejdet til at kunne fungere; udsugning (udledning af luft til eksterne omgivelser Fig.1B), filtrerende (intern cirkulation af luft Fig.1A) og med udvendig motor (Fig.1C).

## OPLYSNINGER VEDRØRENDE SIKKERHED

1. Udvis forsigtighed hvis der samtidigt med emhætten er en varmekilde eller flamme i funktion, som er afhængig af luften i omgivelserne og forsynet med energi, der ikke er elektrisk, eftersom emhætten fjerner den luft fra omgivelserne, som flammen eller varmekilden har brug for til forbrænding. Det negative tryk i lokalet må ikke overstige 4 Pa (4x10<sup>-5</sup> bar). For størst mulig sikkerhed, sørg for en passende ventilation af rummet. Hvad angår udsugningen til eksterne omgivelser følg de gældende normer.

### Før modellen tilsluttes el-nettet:

- Kontrollér informationsetiketten (placeret indeni apparatet), for at sikre, at spændingen og styrken er i overensstemmelse med el-nettet og at stikkontakterne er egnede. Hvis De er i tvivl, konsultér en kvalificeret elektriker.  
 - Hvis forsyningsledningen er beskadiget, skal den udskiftes med en ledning eller en særlig samling fra fabrikanten eller et autoriseret servicecenter.  
 - Tilslut forsyningsenheden ved hjælp af et stik med en 3A sikring eller til de to tofaseledninger, som er beskyttet af en 3A sikring.


### 2. Pas på!

I nogle situationer kan elektriske apparater udgøre en fare.

- A) Undgå at kontrollere filtrens tilstand mens emhætten er i funktion.
- B) Rør ikke ved pærer eller tilstødende områder under eller lige efter længerevarende brug af belysningsanlægget.
- C) Det er ikke tilladt at tilberede madvarer for åben ild under emhætten.
- D) Undgå åben ild, da det kan beskadige filtrene og medføre fare for brand.
- E) Hold altid øje med maden under friturestegning for at undgå, at olien antændes.
- F) Træk stikket ud af stikkontakten, inden der foretages vedligeholdelse.
- G) Apparatet må ikke bruges af børn eller af personer, der ikke har de mentale eller fysiske egenskaber til korrekt brug, uden overvågning.
- H) Hold øje med børnene for at sikre, at de ikke leger med apparatet.
- I) Når emhætten anvendes samtidigt med apparater, der bruger gas eller andre brændstoffer, skal rummet have tilstrækkelig udluftning.
- L) Hvis rengøring ikke udføres i overensstemmelse med anvisningerne, kan det medføre brandfare.

Dette apparat er udviklet i overensstemmelse med det europæiske direktiv 2002/96/EF om affald af elektrisk og elektronisk udstyr (WEEE). Ved at sikre sig, at dette produkt



bortskaffes på korrekt vis, bidrager brugeren til at forhindre eventuelle negative miljømæssige og sundhedsmæssige påvirkninger.

Symbolet  på produktet eller på dokumentationen, der følger med produktet, angiver, at produktet ikke skal behandles som husholdningsaffald, men at det skal bortskaffes på passende vis på genbrugsstationer til elektriske og elektroniske apparater. Apparatet skal bortskaffes i overensstemmelse med de gældende regler for bortskaffelse af affald. For yderligere oplysninger om håndtering, gevinding og genbrug af dette produkt, bedes man kontakte de lokale myndigheder, teknisk forvaltning eller forretningen, hvor produktet er købt.

## INSTRUKTION VED INSTALLERING

- **Monteringen og udførelsen af de elektriske forbindelser, skal udføres af specialiseret personale.**
- **Inden man går frem med monteringen, skal man iføre sig beskyttelseshandsker.**

### • Den elektriske forbindelse:

Bemærk! Kontrollér typeskiltet inden i apparatet.  
 - Hvis der på skiltet findes symbolet , betyder det, at apparatet ikke skal jordes. Følg anvisningerne for isoleringsklasse II.  
 - Hvis der på skiltet **IKKE** vises symbolet , skal man følge anvisningerne for isoleringsklasse I.

### Isoleringsklasse II

Apparatet er udarbejdet i klasse II, derfor skal det ikke tilsluttes et kabel til jordforbindelsen.

Man skal nemt kunne nå ind til stikket efter installation af apparatet.

Hvis apparatet er udstyret med ledning uden stik, skal man ved tilkobling til strømforsyningen sørge for, at der mellem apparatet og strømforsyningen er installeret en flerpolet afbryder med en åbning på minimum 3mm mellem kontakterne, som passer til belastningen og overholder de gældende regler.


Tilslutning til el-nettet skal udføres som følgende:

BRUN = L linje  
 BLÅ = N neutral.

### Isoleringsklasse I

Dette apparat er konstrueret i klasse I og skal derfor tilsluttes til et stik med jordforbindelse.

Tilslutningen til strømforsyningen skal udføres på følgende måde:

BRUN = L linje  
 BLÅ = N neutral  
 GUL/GRØNNE =  jord.

Den neutrale ledning skal tilsluttes til klemrækken med symbolet **N** mens den **GUL/GRØNNE** skal tilsluttes til klemrækken ud for jordsymbolet .

Når den elektriske tilslutning udføres, skal man sikre sig, at strømstikket har jordforbindelse. Efter montering af emhætten skal man sikre sig, at stikkontakten nemt kan nås. Ved direkte tilslutning til strømforsyningen skal der mellem apparatet og strømforsyningsnettet monteres en flerpolet afbryder med en minimumsafstand mellem kontakterne på 3mm, der kan klare belastningen og overholder de gældende regler.

- Minimums distancen mellem kogeoverfladen, målt fra selve kogepladerne, og den nederste del af emhætten, skal være mindst **45 cm**. Hvis der anvendes et forbindelsesrør bestående af to eller flere dele, skal den øverste del placeres uden på den nederste. Tilslut ikke udledningen fra emhætten med et rør, hvori der cirkulerer varm luft eller som anvendes til at udlede røg fra apparater, der ikke bruger elektrisk energi. Inden man begynder monteringen fjernes filtret (Fig.2.2 - Fig. 3.2) for at gøre håndteringen af apparatet lettere.

- I de tilfælde, hvor apparatet skal installeres i en udsugende version, forberedes åbningen til udledning af luft.

- Det anbefales at anvende en luftudsugningslange med samme diameter som luftudgangshullet. Hvis der anvendes en mindre slange, kan det forringe produktets ydelse og medføre øget støj.

- Hvis apparatet er udstyret med lille kuppel **M**, skal den fjernes ved at løse den, som det angives på Fig.2.3 - Fig. 3.3. Inden monteringen påbegyndes, fjernes fedtfilteret ved at trække i håndtaget **B**, som vist i Fig.2.2 - Fig.3.2, for at gøre håndteringen af apparatet lettere.

Hvis man ejer en model med perimetre udsugningspanel, skal følgende foretages, inden denne operation udføres:

- Åbne panel **C**, som det angives på Fig.2.1 - Fig.3.1.
- Hvis man ejer en model med tre **A** paneler, afhænges de fastspændingsboltene ved at trække udad (Fig.3.4) og efterfølgende trække dem ud af sikkerhedsboltene **N** (Fig.3.4), som findes inden i emhætten. For at sætte dem fast igen udføres operationen i omvendt rækkefølge. **PAS PÅ! Under afmonteringen og monteringen skal det sikres, at panelets ophæng er fast for at undgå utilsigtede fald.**

#### • Fastøring til væggen:

Tracér emhættens underkant på væggen ved at tage hensyn til de angivne mål i Fig.4A, og af den minimale krævede afstand fra kogeplanelen (Fig.4B).

- Placér skabelonen på væggen, og sørg for, at linjen passer med den, der blev afmærket i forrige trin.
- Markér og bor huller til montering (Fig.5).
- Fastgør de 2 øverste skruer **K**, uden at skrue dem helt i, og rawlplugs (Fig.5).

- Positionér apparatet på væggen (Fig.5A).
- Kontroller at de 2 nivelleringskruer **J** er godt strammet (Fig.6B.1).

- Linjestil apparatet i vandret position, ved at virke på de to nivelleringskruer **J** (Fig.6B.1).

- Når reguleringen er fuldført, fastgør emhætten fuldstændigt med skruerne **K** (Fig.6C - Fig.6D).

- For at have en nemmere adgang når der kræves assistance, tilrådes det, efter at have fuldstændigt nivelleret og fastgjort apparatet, at fjerne bøjlerne (Fig.6B.1).

- Der skal anvendes skruer og rawlplugs, der passer til vægtypen (f.eks. armeret beton, gipsvæg osv.).

- Hvis der følger skruer og rawlplugs med, skal man først sikre sig, at de passer til den type væg, som emhætten skal monteres på.

#### • Installation på modeller uden dekorativ pejs:

##### Udsugende version

- Løsn den lille kuppel **M** og fjern rillen **E** (Fig.7).
- For elforsyningskablet gennem det splejsede øje på den lille kuppel **M**, som det angives på Fig.9A.1.
- Tag fat i kabelholder **H** og positioner den mellem forsyningskablet og det splejsede øje (Fig.9A.2).
- Forbind slangen **L** (der ikke medleveres) til emhætten (Fig.9B).

- Sæt den lille kuppel **M** på plads igen, ved at sørge for at den hæftes ordentligt til fastgøringstapperne **G** (Fig.9B).

##### • Filtrende version:

- Løsn den lille kuppel **M** og fjern rillen **E** (Fig.7).
- Før forsyningskablet gennem det splejsede øje på den lille kuppel **M**, som angivet i Fig.8.1.
- Tag fat i kabelholder **H** og positioner den mellem forsyningskablet og det splejsede øje (Fig.8.2).
- Fastgør den lille kuppel **M** og rillen **E** ved at sørge for at den hæftes ordentligt til fastgøringstapperne **G** (Fig.8).

##### • Optional:

Til denne emhættemodel fås afskærmning som ekstraudstyr på efterspørgsel hos forhandleren.

Inden man installerer den dekorative pejs, skal man fjerne den lille kuppel **M**, og løse de 4 skruer **Q**, som blokerer fastgøringstapper **G**, som angivet på Fig.11.

##### • Installation på modeller med dekorativ pejs:

###### Udsugende version

Den elektriske forsyning skal indrettes indenfor ydre målene på den dekorative pejs.

Reguler støttebøjlsens bredde til overdelen på den dekorative pejs (Fig.10.2).

Fastgør derefter bøjlen til væggen, ved hjælp af skruerne **A**, sådan at den er i akse med emhætten, og at den respekterer afstanden angivet på Fig.10.1.

Med slangen **L**, forbind flangen **F** til udstødningshullet (Fig.12A).

Placer overdelen til den dekorative pejs ind i pejsens underdel, og placer begge dele over emhætten (Fig.12B).

Træk overdelen til den dekorative pejs ud, helt hen til bøjlen, og fastgør den med skruerne **B** (Fig.10.2).

Skal emhætten laves om fra aftræk til filtrering, anskaffes kulfiltre hos forhandleren, hvorefter monteringsvejledningen følges.

##### • Filtrende version:

###### Pas på!

Filtrene skal bestilles hos forhandleren, som ekstradel.

- For at transformere emhætten version **UDSUGENDE** til version **FILTRENENDE**, skal kulfiltrene bestilles hos forhandleren som ekstradel.

Der er to forskellige typer Kit til rådighed, den ene med ikke genanvendelige filtre (Fig.13) og den anden med genanvendelige filtre (kan vasken) (Fig.14).

Som forskel med de andre kulfiltre, kan dette filter vaskes og anvendes igen for andre cirka 12-15 gange.

Ved normal anvendelse af emhætten, skal dette filter rengøres hver 2-3 måneder.

Filtret kan vaskes i opvaskemaskinen på maksimum temperatur, ved at bruge et almindeligt rengøringsmiddel til opvaskemaskine.

Efter vask, er det nødvendigt at genaktivere filtret, ved at tørre i ovnen på 100° temperatur for 15-20 minutter.

Filtret vil beholde dets sugeevne til lugt, i tre år, efter denne tid, bør den udskiftes.

- Hvis der, i emballagen, findes en bøjle, som den der angives på Fig.14, skal man løse de 4 skruer, allerede installeret i emhætten, og installere bøjlen, med de samme 4 fjernede skruer.

- For at udskifte de genanvendelige kulfiltre **Y**, skal man fjerne bøjlerne fra deres sæde, ved at trække dem udad (Fig.14).

- Hvis produktet ikke er udstyret med bøjle, betyder det at de

aktive kulfiltre ikke er genanvendelige (Fig.13).

Disse skal anvendes på trækneheden, der findes inde i emhætten, de skal stilles midt på og drejes 90° grader, indtil man hører et stoppeklik (Fig.13).

## BRUG OG VEDLIGEHOLDELSE

• Det anbefales, at apparatet sættes i funktion, inden man begynder tilberedningen af madvarer. Det anbefales, at lade emhætten køre i 15 minutter efter endt tilberedning, så al mados suges ud. Korrekt funktion af emhætten afhænger af en korrekt og jævnlig vedligeholdelse. Man skal især være opmærksom med at udskifte fedtfilteret og det aktive kulfilter.

• **Fedtfilteret** har til opgave at tilbageholde de fedtpartikler, der findes i luften. Filteret vil derfor blive tilstoppet med tiden, alt efter hvor ofte emhætten anvendes.

- For at forebygge faren for eventuelle brande skal fedtfilteret mindst hver 2. måned vaskes i hånden med flydende neutrale ikke slibende rengøringsmidler eller i opvaskemaskine ved lav temperatur og kort program.

- Efter nogle vaske kan der forekomme farveændringer. Dette giver ikke ret til at kræve udskiftning af filterene.

• **De aktive kulfiltre** rensrer luften, der gendledes i omgivelserne, og tjener til at dæmpe ubehagelige lugte, som dannes ved madtilberedning.

- De ikke-regenererende aktive kulfiltre skal udskiftes mindst hver 4. måned. Mætningen af det aktive kul afhænger af den mere eller mindre længerevarende brug af emhætten, af hvilken slags mad der tilberedes og af regelmæssigheden af rengøringen af fedtfilteret.

- De regenererende aktive kulfiltre skal vaskes i hånden med flydende neutrale ikke slibende rengøringsmidler eller i opvaskemaskine ved højst 65°C (vaskecyklussen skal være komplet uden anden opvask i maskinen). Fjern overskydende vand uden at ødelægge filteret, fjern plastikdelene og tør filtermatten i ovnen i mindst 15 minutter ved en temperatur på højst 100°C. For at opretholde det regenererende aktive kulfilterets effektive funktion skal denne operation foretages hver 2. måned. Filterene skal udskiftes mindst hvert 3. år, eller når filtermatten er beskadiget.

• **Det er vigtigt, at fedtfilterene og de regenererende aktive kulfiltre er helt tørre, inden de genmonteres.**

• Emhætten skal rengøres jævnligt, både indvendigt og udvendigt, med en klud opvædet i denatureret alkohol eller et neutralt, **ikke** slibende rengøringsmiddel.

• Lyset er beregnet til brug under tilberedning af mad og ikke til generel oplysning af lokalet. Længerevarende brug af lyset vil reducere lyspærens gennemsnitlige levetid betydeligt.

• Hvis apparatet er forsynet med **rumoplysning**, kan dette anvendes til længerevarende generel oplysning af lokalet.

• **Pas på:** manglende udførsel af udskiftning og rengøring af filterene medfører brandfare. Det anbefales derfor at overholde de foreslåede instruktioner.

• **Udskiftning af halogenpærer (Fig.15.1):**

For at udskifte halogenpærerne **B** skal man fjerne glasset **C** ved at trykke på rillerne.

Udskift pærerne med pærer af samme type.

**Vér opmærksom:** rår ikke ved pæren med bare hænder.

• **Udskiftning af LED lamperne (Fig.15.2):**

Hvis apparatets version er udstyret med **LED** lamper, skal disse udskiftes af en specialiseret tekniker.

• **Betjening-senhed: (Fig.16) LYSENDE** - er følgende tegnforklaring gældende:

**A** = tast for BELYSNING

**B** = tast for OFF

**C** = tast for FØRSTE HASTIGHED

**D** = tast for ANDEN HASTIGHED

**E** = tast for TREDJE HASTIGHED

**F** = tast for TIMER AUTOMATISK STOP 15 minutter (\*)

Hvis Deres apparat er udstyret med funktionen **INTENSIV** hastighed vil denne, ved at starte fra TREDJE hastighed og ved at holde taste **E** trykket i cirka 2 sekunder, aktiveres i 10 minutter hvorefter den vil gå tilbage til den forinden indstillede hastighed. Når funktionen er aktiv og blinker LED'et. For at afbryde den inden de 10 minutter skal man trykke taste **E** igen.

Ved at trykke på knappen **F** i 2 sekunder (ved slukket emhætte) aktiveres funktionen "**clean air**". Denne funktion tænder motoren i 10 minutter pr. time ved laveste hastighed. Så snart funktionen er igangsat starter motoren ved første hastighed i 10 minutter, og under dette forløb skal lamperne ved knap **F** og knap **C** blinke samtidigt. Når tiden er gået standser motoren og kontrollampen ved knap **F** forbliver tændt uden at blinke indtil der er gået endnu 50 minutter, hvor motoren igen starter ved første hastighed, og lamperne ved **F** og **C** igen begynder at blinke samtidigt i 10 minutter, og så fremdeles. Ved at trykke hvilken som helst tast, undtagen lysene, vil emhætten gå tilbage til standard funktion (f. eks. ved at trykke på tast **D** deaktiveres funktion "**clean air**" og motoren indstilles på 2<sup>o</sup> hastighed; ved at trykke på tast **B** deaktiveres denne funktion).

(\*) Funktionen "**TIMER AUTOMATISK STOP**" forsinker standsning af hætten, som vil fortsætte med at være tændt (i 15 minutter) med den driftshastighed, der var i kraft i det øjeblik funktionen blev tilsluttet.

• **Måtning af fedtfiltere/aktive kulfiltre:**

-Når tasten **A** blinker med **2 sek.** mellemrum, skal fedtfilterne rengøres.

-Når tasten **A** blinker med **0,5 sek.** mellemrum, skal de aktive kulfiltre vaskes eller udskiftes afhængigt af filtertypen.

Når filteret er sat på plads igen, skal den elektroniske hukommelse nulstilles ved at holde tasten **A** nede i ca. **5 sek.** indtil den stopper med at blinke.

• **Betjening-senhed (Fig.17):**

**Tast A** = Tænder/slukker lysene.

**Tast B** = Tænder/slukker emhætten. Apparatet tændes på 1. hastighed. Hvis emhætten er tændt skal man trykke på tasten i 2 sek. for at slukke. Hvis emhætten er indstillet på 1. hastighed er det ikke nødvendigt at holde tasten trykket for at slukke. Sænker motorhastigheden.

**Display C** = Viser den valgte motorhastighed og aktivering af timer'en.

**Tast D** = Tænder emhætten. Øger motorhastigheden. Ved tryk på tasten fra 3. hastighed tændes den intensive funktion i 10 minutter, hvorefter apparatet vender tilbage til at fungere med den almindelige hastighed, der var indstillet det øjeblik, hvor den intensive funktion blev tændt. Under denne funktion blinker displayet.

**Tast E** = Når timeren aktiveres, indstiller den funktionerne til at fortsætte i 15 minutter, hvorefter de slukkes. Timeren slås fra ved at trykke på tasten **E**. Når funktionen Timer er tændt, blinker decimaltallet på displayet. Hvis funktionen til indstilling af hastighed er aktiveret, fungerer funktionen Timer ikke.

Hvis tasten **E** trykkes ned i 2 sekunder, når emhætten er sluk-

ket, aktiveres funktionen "**clean air**". Denne funktion tænder motoren i 10 minutter for hver time på første hastighedstrin. Når funktionen er aktiveret, viser displayet en drejende bevægelse af de omgivende segmenter. Når tiden er gået, slukker motoren igen, og på displayet vises bogstavet "**C**", indtil motoren igen efter 50 minutter aktiveres i 10 minutter og så videre. For at vende tilbage til normal funktion trykkes på en hvilken som helst knap bortset fra lysknappen. Funktionen deaktiveres ved at trykke på tasten **E**.

• **Mætning af fedtfiltere/aktive kulfiltere:**

-Når displayet **C** blinker, og ændrer blæserhastigheden, med bogstavet **F** (f.eks.1 og **F**), skal fedtfilterene rengøres.

-Når displayet **C** blinker og veksler mellem blæserhastigheden og bogstavet **A** (f.eks.1 og **A**), skal de aktive kulfiltere vaskes eller udskiftes afhængigt af filtertypen.

Når filteret er sat på plads igen, skal den elektroniske hukommelse nulstilles ved at holde tasten **A** nede i ca. **5 sek.** indtil bogstaverne **F** eller **A** stopper med at blinke på displayet **C**.

• **Betjening-senhed (Fig.18) mekaniske er følgende tegnforklaring gældende:**

**A** = tast for BELYSNING

**B** = tast for OFF

**C** = tast for FØRSTE HASTIGHED

**D** = tast for ANDEN HASTIGHED

**E** = tast for TREDJE HASTIGHED.

**FABRIKANTEN FRALÆGGER SIG ETHVERT ANSVAR FOR SKADER FORÅRSAGET AF MANGLENDE OVERHOLDELSE AF OVENSTÅENDE ADVARSLER.**

## YLEISTÄ

Lue ohjekirja huolellisesti, sillä se sisältää tärkeitä tietoja laitteen turvallisesta asennuksesta, käytöstä ja huollosta. Säilytä ohjekirja tulevaa tarvetta varten. Laite on suunniteltu toimimaan joko imevänä versiona (ilman poisto ulos - Kuva 1B), suodattavana versiona (ilman kierrätys sisällä - Kuva 1A) tai ulkoisella moottorilla toimivana versiona (Kuva 1C).

## TURVAOHJEITA

1. Erityistä huomiota tulee kiinnittää siihen, ettei liesituuletin ole käytössä samanaikaisesti kuin tulipesä tai liesi, jotka ovat riippuvaisia huoneilmasta ja jotka käyttävät jotain muuta energialähdettä kuin sähköä. Liesituuletin poistaa huonetilasta ilmaa, jota tulipesä tai liesi tarvitsevat polttamiseen. Huonetilan negatiivinen ilmanpaine ei saa ylittää 4Pa (4x10-5 bar). Huonetilat on siis tuuletettava asianmukaisesti tuuletin toiminnan varmistamiseksi. Ulkoista poistoa koskien tulee noudattaa asianomaisessa maassa voimassaolevia määräyksiä.

## Ennen kuin yhdistät mallin sähköverkkoon:

- Huomioi sen tunnuskilvessä (löytyy laitteen sisäpuolelta) olevat tiedot tarkistaen että virran jännite ja voima vastaavat verkostoa, ja että pistorasia on sopiva. Jos olet epävarma ota yhteys pätevästi sähkömieheen.

- Jos liitäntäjohto on vahingoittunut, se on vaihdettava laitteen valmistajan tai tämän teknisen huoltohenkilöstön toimesta uuteen liitosjohtoon tai sitä vastaavaan.

- Liitä laite sähkönsyöttöön pistokkeella, jossa on sulake (3 A), tai kaksivaiheisen järjestelmän kahteen johtoon, jotka on suojattu sulakkeella (3 A).

## 2. Varoitus!

**Tietyissä tilanteissa sähkölaitteet voivat aikaansaada vaaratilanteen.**

**A) Älä tarkista suodattimien tilaa, kun liesituuletin on toiminnassa.**

**B) Älä kosketa lampuihin tai niiden lähialueille valaistuslaitteiston käytön aikana tai välittömästi sen käytön jälkeen.**

**C) On kielletty liekittävästä ruokia liesituuletin alla**  
**D) Vältä avotulta, koska ne vahingoittavat suodattimia ja voivat aiheuttaa tulipaloja.**

**E) Tarkkaile jatkuvasti öljystä paistettavia ruokia, jotta kiehuvaa öljyä ei syty tuleen.**

**F) Irrota pistoke pistorasiasta ennen huollon suorittamista.**

**G) Laitetta ei ole suunniteltu lasten tai vajaakykyisten käytettäväksi ilman valvontaa.**

**H) Valvo lapsia, jotta he eivät leiki laitteen kanssa.**


**I) Kun liesituuletinta käytetään samanaikaisesti laitteiden kanssa, jotka polttavat kaasua tai muita polttoaineita, huolehdi tilojen riittävästä ilmanvaihdosta.**

**L) Jos puhdistustoimenpiteitä ei suoriteta ohjeiden mukaisesti, on olemassa tulipalovaara.**

Tämä laite on merkitty EU:n Waste Electrical and Electronic Equipment (WEEE) -direktiivin 2002/96/EC mukaisesti.

Käyttäjät osallistuu mahdollisten terveydelle ja ympäristölle haitallisten seurausten ehkäisemiseen hävittäessään laitteen asianmukaisella tavalla.

Laitteen pakkauksessa mukana oleviin asiakirjoihin merkitty


-merkki osoittaa ettei työkalu kuulu talousjätteisiin, vaan se on varta vasten toimitettava sähkö- ja elektroniikkalaiteromun keräyspisteeseen kierrätystä varten. Hävitä laite noudattamalla paikkakuntasi jätehuoltoa koskevia säädöksiä. Lisätietoja tämän laitteen keräyksestä, käsittelystä ja kierrätyksestä ota yhteys paikkakuntasi jätehuoltoon, talousjätteiden keräyspisteeseen tai liikkeeseen josta laite on hankittu.

## ASENNUSOHJEET

• **Asennus ja sähköliitäntä on suoritettava siihen pätevän erikoishenkilöstön toimesta.**

• **Käytä suojakäsineitä ennen kuin aloitat asennustoimenpiteiden suorittamisen.**

## • Sähköinen liitäntä:

- Jos kilvessä on tunnus  , tämä tarkoittaa sitä, että laitetta ei tarvitse maadoittaa. Noudata siten eristysluokkaa II koskevia ohjeita.

- Jos kilvessä  ole tunnusta  , noudata eristysluokkaa I koskevia ohjeita.

## Eristysluokka II

Laite on rakennettu II-luokassa, eivätkä kaapelit sen vuoksi saa olla liitettjä maajohtoon.

Pistoke tulee olla helposti saavutettavissa laitteen asennuksen jälkeen.

Mikäli laite on varustettu johdolla ilman pistoketta, sen liittämiseksi sähköverkkoon tulee laitteen ja verkon väliin asentaa moninapainen virrankatkaisija, jossa kontaktien minimiväli on 3mm ja joka on mitoitettu kuormituksen mukaan ja joka on voimassa olevien määräysten mukainen.

Liitännät sähköverkkoon on tehtävä seuraavalla tavalla:

RUSKEA = L linja

SININEN = N neutraali.

## Eristysluokka I


Tämä laite on on valmistettu **luokassa I**, ja se on siksi kytkettävä maadoitettuun pistokkeeseen.

Sähköverkkoon kytkeminen on suoritettava seuraavien ohjeiden mukaisesti:

RUSKEA = L linja

SININEN = N neutraali

KELTAINEN/VERDE =  maadoitus.

Neutraali johto on kytkettävä **N**-symbolilla merkittyyn napaan ja **KELTAINEN/VIHREÄ** johto on liitettävä maadoitussymbolia lähellä olevaan napaan .

Sähköliitännän yhteydessä on varmistettava että pistorasiassa maadoitettu pistoke. Liesituuletin asennuksen jälkeen on varmistettava että sähköliitäntäpistoke on helposti saatavilla. Suorassa liitännässä sähköverkkoon, on laitteen ja verkon väliin laitettava moninapainen virrankatkaisija, jossa kontaktien minimiväli on 3mm ja joka on mitoitettu kuormituksen mukaan ja joka on voimassaolevien määräysten mukainen.

• Keittopinnan kattilankannattimien ja hellakuvun minimietäisyyden on oltava vähintään **45 cm**. Mikäli joudutaan käyttämään kaksi- tai useampiosaista liitosputkea, on ylempään osaan oltava alemman ulkopuolella. Poistoilmaa ei saa johtaa kuumailmahormiin tai hormiin, jota käytetään savun poistamiseen laitteista, jotka toimivat jollakin muulla energi-

anlähteellä kuin sähköllä. Ennen kuin alat koota laitetta, irrota rasvasuodatin/-suodattimet (Kuvassa 2.2 - Kuvassa 3.2): näin laitetta on helpompi käsitellä.

- Jos asennetaan imevä hellakupu on ensin tehtävä ilmanpoistoaukko.

• Suosittellaan käyttämään ilmanpoistoputkea, jonka halkaisija vastaa ilman ulostuloaukon mittoja. Pienentävien sovituskappaleiden käyttö voi alentaa tuotteen toimintatulosta ja lisätä meluisuutta.

• Jos laitteeseen kuuluu kupu **M**, irrota se kytkemällä se irti Kuvassa 2.3 - Kuvassa 3.3 osoitetulla tavalla.

Ennen asennustoimenpiteiden suorittamista, laitteen liikkuttamista helpottamiseksi ota rasvasuodatin pois vetämällä kahvaa **B** Kuvassa 2.2 - 3.2 osoitetulla tavalla.

Jos sinulla on ympäröivällä imupaneelilla varustettu malli, ennen tämän toimenpiteen suorittamista, suorita seuraavat vaiheet:

-Avaa paneeli **C** Kuvassa 2.1 - Kuvassa 3.1 osoitetulla tavalla.

-Jos sinulla on kolmella paneelilla varustettu malli **A**, kytke ne irti kiinnitystapeistaan vetämällä ulkosuuntaan (Kuva 3.4) ja irrota ne sitten turvatapeista **N** (Kuva 3.4), jotka on asetettu liesituulettimen sisäpuolelle. Aseta ne takaisin noudattamalla päinvastaista järjestystä. **VAROITUS!**

**Irrotus- ja asennustoimenpiteiden aikana varmistaa, että pidät tukevasti kiinni paneelista, jotta tahattomilta putoamisilta vältyttäisiin.**

#### • Seinäkiinnitys:

Merkitse liesituulettimen alalaita seinään ottamalla huomioon Kuvassa 4A annetut mitat ja minimietäisyys keittotasosta (Kuva 4B).

-Aseta kiinnityssapluuna seinälle ollen tarkkana, että se on suorassa linjassa aiemmin seinään piirretyn viivan kanssa.

-Merkitse ja poraa kiinnitysreiat (Kuva 5).

-Kiinnitä 2 ylemmää ruuvia **K**, ruuvaamalla niitä kokonaan kiinni, sekä proput (Kuva 5).

-Aseta laite seinälle (Kuva 6A).

-Huomioi, että 2 vaaitusruuvia **J** kiristetään (Kuva 6B.1).

-Aseta laite vaaka-asentoon kahta vaaitusruuvia käyttämällä **J** (Kuva 6B.1).

-Kun säätö on suoritettu, kiinnitä liesituuletin lopullisesti ruuvien **K** (Kuva 6C - Kuva 6D) avulla.

-Jotta moottoriyksikköön pääsy olisi helpompi kuin huoltoa vaaditaan, kun kerran laite on vaaitettu ja lopullisesti kiinnitetty, irrota kannattimet (Kuva 6B.1).

-Eri asennuksissa käytä ruuveja ja proppuja, jotka sopivat asennettavaan seinätyyppiin (esim. betoniseinä, harkkoseinä jne.).

-Jos ruuvit ja proput ovat tulleet laitteen mukana, varmista että ne sopivat siihen seinätyyppiin, johon liesikupu on asennettava.

#### • Mallien asennus ilman koristehormeja:

##### Imevä malli

-Kytke kupu **M** irti ja ota ritilä **E** (Kuva 7) pois.

-Pujota virtajohto kuvassa **M** olevan aukon läpi, joka on osoitettu Kuvassa 9A.1.

-Ota kaapeliöhjain **H** ja aseta se virtajohdon ja reiän väliin (Kuva 9A.2).

-Liitä letku **L** (ei kuulu varustuksiin) liesituulettimeen (Kuva 9B).

-Aseta kupu **M** takaisin paikoilleen ja ole varovainen, että se kytkettyä täydellisesti kiinnitystappeihin **G** (Kuva 9B).

#### • Suodattava malli:

-Kytke kupu **M** irti ja ota ritilä **E** (Kuva 7) pois.

-Pujota virtajohto kuvassa **M** olevan aukon läpi, joka on osoitettu Kuvassa 8.1.

-Ota kaapeliöhjain **H** ja aseta se virtajohdon ja reiän väliin (Kuva 8.2).

-Kiinnitä kupu **M** ja ritilä **E** takaisin paikoilleen ja ole varovainen, että se kytkettyä täydellisesti kiinnitystappeihin **G** (Kuva 8).

#### • Lisävaruste:

Tähän liesituuletinmalliin voidaan liittää lisävarusteena koristehormi, joita voit tiedustella jälleenmyyjältä. Ennen koristehormien asentamista, irrota kupu **M** ja ruuvaa auki 4 ruuvia **Q**, jotka lukitsevat kiinnitystapit **G** Kuvassa 11 osoitettuun tapaan.

#### • Mallien asennus koristehormeilla:

##### Imevä malli

Valmistele virransyöttö koristehormin sisäpuolelle. Säädä ylemmän koristehormia tukevan kannattimen leveys (Kuva 10.2). Kiinnitä se sen jälkeen seinään siten, että se on samassa suunnassa hormisi kanssa ruuvien **A** avulla ja noudattamalla Kuvassa 10.1 osoitettua etäisyyttä. Liitä letkua **L** käyttämällä laippa **F** ilman ulostuloaukkoon (Kuva 12A). Aseta ylempi koristehormi alemman koristehormin sisään ja aseta ne hormin rungon päälle (Kuva 12B). Vedä ylempi koristehormi kannattimeen asti ja kiinnitä se ruuveilla **B** (Kuva 10.2).

Muuntaaksesi kuvun imevästä mallista suodattavaksi malliksi pyydä jälleenmyyjältämme aktiivihiiisuodattimia ja seuraa asennusohjeita.

#### • Suodattava malli:

##### Huomio!

Suodattimet on tilattava jälleenmyyjältä lisävarusteina.

-Muuttaaksesi liesituulettimen **IMUMALLISTASUODATTUSMALLIIN** hiilisuodattimet on tilattava jälleenmyyjältä lisävarusteina. Käytettävissä on kaksi eri pakkausta: yksi suodattimilla joita ei voi uudistaa (Kuva 13) ja toinen uusittavilla suodattimilla (pestävät) (Kuva 14).

Muista hiilisuodattimista poiketen, tätä uudistettavaa suodatinta voidaan pestä ja käyttää uudelleen noin 12-15 kertaa. Liesituulettimen normaalkäytössä tämä suodatin on puhdistettava 2-3 kuukauden välein.

Suodatin voidaan pestä astianpesukoneessa maksimaalisessa lämpötilassa käyttämällä tavallista astianpesukoneille tarkoitettua pesuainetta. Pesun jälkeen uudistettavan suodattimen aktivoimiseksi sitä on kuivattava 100° uunissa 15-20 minuutin ajan.

Suodatin säilyttää hajujen imukykykapasiteetin kolmen vuoden ajan, jonka jälkeen se on vaihdettava uuteen.

#### • Suodattava malli:

##### Huomio!

Suodattimet on tilattava jälleenmyyjältä lisävarusteina.

-Muuttaaksesi liesituulettimen **IMUMALLISTASUODATTUSMALLIIN** hiilisuodattimet on tilattava jälleenmyyjältä lisävarusteina. Käytettävissä on kaksi eri pakkausta: yksi suodattimilla joita ei voi uudistaa (Kuva 13) ja toinen uusittavilla suodattimilla (pestävät) (Kuva 14).

Muista hiilisuodattimista poiketen, tätä uudistettavaa suodatinta voidaan pestä ja käyttää uudelleen noin 12-15 kertaa. Liesituulettimen normaalkäytössä tämä suodatin on puhdistettava 2-3 kuukauden välein.

Suodatin voidaan pestä astianpesukoneessa maksimaalisessa lämpötilassa käyttämällä tavallista astianpesukoneille tarkoitettua pesuainetta. Pesun jälkeen uudistettavan suodattimen aktivoimiseksi sitä on kuivattava 100° uunissa 15-20 minuutin ajan.

Suodatin säilyttää hajujen imukykykapasiteetin kolmen vuoden ajan, jonka jälkeen se on vaihdettava uuteen.

#### • Suodattava malli:

##### Huomio!

Suodattimet on tilattava jälleenmyyjältä lisävarusteina.

-Muuttaaksesi liesituulettimen **IMUMALLISTASUODATTUSMALLIIN** hiilisuodattimet on tilattava jälleenmyyjältä lisävarusteina. Käytettävissä on kaksi eri pakkausta: yksi suodattimilla joita ei voi uudistaa (Kuva 13) ja toinen uusittavilla suodattimilla (pestävät) (Kuva 14).

Muista hiilisuodattimista poiketen, tätä uudistettavaa suodatinta voidaan pestä ja käyttää uudelleen noin 12-15 kertaa. Liesituulettimen normaalkäytössä tämä suodatin on puhdistettava 2-3 kuukauden välein.

Suodatin voidaan pestä astianpesukoneessa maksimaalisessa lämpötilassa käyttämällä tavallista astianpesukoneille tarkoitettua pesuainetta. Pesun jälkeen uudistettavan suodattimen aktivoimiseksi sitä on kuivattava 100° uunissa 15-20 minuutin ajan.

Suodatin säilyttää hajujen imukykykapasiteetin kolmen vuoden ajan, jonka jälkeen se on vaihdettava uuteen.



## KÄYTTÖ JA HUOLTO

• Suositellaan käynnistämään laite ennen minkä tahansa ruuan kypsennyksen aloittamista. On suositeltavaa antaa laitteen toimia vielä 15 minuuttia käytön jälkeen, jotta ruoanvalmistuksesta aiheutuneet käryt saadaan kokonaan pois huonetilasta. Liesituulettimeen hyvä toiminta riippuu oikeasta ja säännöllisestä huollosta; erityistä huomiota tulee kiinnittää rasvasuodattimeen ja aktiivihiihsuodattimeen.

• **Rasvasuodattimen** tehtävänä on pidättää ilmaa leijuvat rasvahukkaset ja siksi se on altis tukkeutumaan ajanjaksoissa, jonka pituus vaihtelee laitteen käytön mukaan.

- Tulipalovaaran ennaltaehkäisemiseksi, pese rasvasuodattimet käsin vähintään 2 kuukauden välein neutraaleja ja hankaamattomia pesuaineita käyttämällä tai astianpesukoneessa alhaisessa lämpötilassa ja lyhyellä pesuohjelmalla.

- Muutamien pesukertojen jälkeen voisi syntyä värinmuutoksia. Tämä ei oikeuta valituksen kautta osien mahdolliseen vaihtoon.

• **Aktiivihiihsuodattimia** käytetään ilman puhdistamiseen, joka palautetaan huoneeseen ja jonka tehtävänä on vähentää ruoanvalmistuksen aikana syntyviä epämiellyttäviä hajuja.

- Ei regeneroituvat aktiivihiihsuodattimet tulee vaihtaa korkeintaan 4 kuukauden välein. Aktiivihiihen kyllästyminen riippuu laitteen käyttöajasta, ruoanvalmistustavasta ja rasvasuodattimen puhdistusriheydestä.

- Aktiivihiihsuodattimet tulee pestä käsin, neutraaleja ja hankaamattomia pesuaineita käyttämällä tai astianpesukoneessa korkeintaan 65°C lämpötilassa (pesujakso tulee suorittaa kokonaan ilman astioita). Poista ylimääräinen vesi vahingoittamatta suodatinta, irrota muoviosat, anna pehmuste kuivua uunissa vähintään 15 minuutin ajan korkeintaan 100°C lämpötilassa. Säilyttääksesi regeneroitavan hiihsuodattimen toiminnan tehokkaana, suorita tämä toimenpite 2 kuukauden välein. Ne tulee vaihtaa korkeintaan 3 vuoden välein tai kun pehmuste vahingoittuu.

• **Ennen rasvasuodattimien ja regeneroitavien aktiivihiihsuodattimien asentamista on tärkeää, että ne ovat kuivuneet kunnolla.**

• Puhdistusta liesituuletin säännöllisesti sekä sisältä että ulkoa käyttäen riepua, joka on kostutettu denaturoidulla alkoholilla tai nestemäisillä neutraaleilla ei-hankaavilla pesuaineilla.

• Valaistuslaitteisto on suunniteltu käytettäväksi ruokien kypsennyksen aikana eikä pitkäaikaiseen ympäristön yleiseen valaisuun. Valaistuksen pitkäaikainen käyttö vähentää huomattavasti lampujen keskimääräistä käyttöikää.

• Jos laite on varustettu hajavalolla, sitä voidaan käyttää pitkäaikaiseen ympäristön yleiseen valaisuun.

• **Varoit:** liesituulettimeen puhdistukseen ja vaihtoon sekä suodattimien puhdistukseen kuuluvien ohjeiden noudattamatta jättäminen aiheuttaa tulipalovaaran. Näin ollen suositellaan annettujen ohjeiden noudattamista.

• **Halogeenilampujen vaihtaminen (Kuva 15.1):**

Halogeenilampujen **B** vaihtamiseksi ota pois lasi **C** käyttäen viputukien asianmukaisia aukkoja. Vaihda tilalle vastaavan tyyppiset lamput.

**Varoit:** älä koske lampuun paljain käsin.

• **LED-valojen vaihtaminen (Kuva 15.2):**

Jos malli on varustettu **LED**-valoilla, toimenpiteen saa suorittaa ammattitaitoinen tekniikko.

• **Ohjaimet (Kuva 16) Valolla varustetut:**

**A** = Valaistuksen painike

**B** = OFF

**C** = ensimmäisen nopeuden painike

**D** = toisen nopeuden painike

**E** = kolmannen nopeuden painike

**F** = Automaattiajastin (15 min.) (\*)

Jos laitteeseen kuuluu **INTENSIVIVEN** nopeus, **KOLMANNES-****TÄ** nopeudesta lähtien pitämällä näppäintä **E** painettuna noin 2 sekunnin ajan se aktivoituu 10 minuutiksi, jonka jälkeen se palaa edellä asetettuun nopeuteen. Kun toiminto on päällä, LED-valo vilkkuu. Jos se halutaan keskeyttää ennen kuin 10 minuuttia on kulunut umpeen, paina näppäintä **E** uudelleen.

Jos painallat näppäintä **F** n.2 sek. (tuulettimeen ollessa pois päältä), käynnistät toiminnon "**clean air**". "**Clean air**" käynnistää tuulettimeen kymmeneksi minuutiksi tunnin väliajoin alimman kierrosnopeudella. Jos valitset tämän toimintamuodon laite käynnistyy kymmeneksi minuutiksi joiden aikana välkehtivät näppäinten **F** ja **C**. n valomerkit. Kymmenen minuutin jakson päätyttyä moottori pysähtyy ja vain näppäimen **F** valomerkki jää päälle kunnes 50.nen minuutin kuluttua moottori käynnistyy uudelleen ja näppäimien **F** ja **C** valomerkit välkehtivät jne. Minkä tahansa näppäimen painaminen valonäppäintä lukuun ottamatta palauttaa liesituulettimeen normaali toimintaan (esim. jos painat näppäintä **D** "**clean air**"-toiminto kytkeytyy pois ja moottori asetuu 2-nopeudelle; painamalla näppäintä **B** toiminto kytkeytyy pois).

(\*) "**AUTOMAATTIAJASTIN**" pysäyttää liesituulettimeen 15 min. viiveellä. Tuuletin jatkaa toimintaansa lähtönopeudellaan 15 min ajan painikkeen painamisen jälkeen.

• **Rasva-/aktiivihiihsuodattimien täyttyminen:**

-Kun näppäin **A** vilkkuu **2 sekunnin** välein, rasvasuodattimet tulee pestä.

-Kun näppäin **A** vilkkuu **0,5 sekunnin** välein, aktiivihiihsuodattimet tulee pestä tai vaihtaa suodatintyyppiin perusteella. Kun puhdas suodatin on liitetty, tulee elektroninen muisti nollata painaen painiketta **A** noin **5 sekunnin** ajan, kunnes se lakkaa vilkkumasta.

• **Ohjaimet (Kuva 17):**

**Näppäin A** = Syyttää/sammuttaa valot.

**Näppäin B** = Käynnistää/sammuttaa kuvun. Laite käynnistyy ensimmäiselle nopeudelle. Jos liesikupu on päällä paina näppäintä 2 sek. ajan ja sen toiminta lakkaa. Jos laite toimii yksinnopeudella, näppäintä ei tarvitse pitää alas painettuna laitetta sammuttaessa. Laskee moottorin nopeutta.

**Näyttö B** = Ilmoittaa valitun moottorin nopeuden ja ajastimen aktivoinnin.

**Näppäin D** = Käynnistää kuvun. Nostaa moottorin nopeutta. Painamalla näppäintä kolmannelle nopeudella laite toimii täydellä teholla 10 sekunnin ajan, sen jälkeen laite alkaa toimia aktivoidulla nopeudella. Tämän toiminnon ajan näytön valo vilkkuu.

**Näppäin E** = Ajastin ajastaa toiminnot käynnistämishetkellä 15 minuutin ajaksi. Sen jälkeen toiminnot sammuvat. Ajastin lakkaa toimimasta kun painat uudelleen näppäintä **E**. Kun ajastintoiminto on päällä desimaalipisteen on välkyttävä näytöllä. Jos tehonopeustoiminto on päällä ajastinta ei voida käynnistää.

Painamalla näppäintä **E** 2 sekunnin ajan, laitteen ollessa sammuksissa, "**clean air**"-toiminto käynnistyy. Tämä toiminto käynnistää moottorin joka tunti, 10 minuutin ajaksi yksinnopeudella. Toiminnan aikana näytön reunoilla tulee näkyä pyörivä liike. Tämän ajan kuluttua moottori sammuu ja näytöllä tulee näkyä "**C**"-kirjain seuraavien 50 minuutin ajan

kunnes moottori taas käynnistyy seuraaviksi 10 minuutiksi ja niin edelleen. Normaali toimintaan palaamiseksi paina mitä tahansa näppäintä valonäppäintä lukuun ottamatta. Kytke toiminto pois päältä painamalla **E**-näppäintä.

• **Rasva-/aktiivihiihtisuodattimien täyttyminen:**

-Kun näyttö **C** vilkkuu ja siihen tulevat näkyviin vuorotellen toimintanopeus ja kirjain **F** (esim. 1 ja **F**), rasvasuodattimet tulee pestä.

-Kun näytöllä **C** vilkkuu vuorotellen käyttönopeus ja kirjain **A** (esim. 1 ja **A**) aktiivihiihtisuodattimet on vaihdettava tai pestävä suodatintyyppiin mukaan.

Kun puhdas suodatin on liitetty, tulee elektroninen muisti nollata painaen painiketta **A** noin **5 sekunnin** ajan, kunnes näytön **C** ilmoitus **F** tai **A** lakkaa vilkkumasta.

• **Ohjaimet (Kuva 18) mekaaniset:**

**A** = Valaistuksen painike

**B** = OFF

**C** = ensimmäisen nopeuden painike

**D** = toisen nopeuden painike

**E** = kolmannen nopeuden painike.

**LAITTEEN VALMISTAJA EI OLE VASTUUSSA VAHINGOISTA, JOTKA OVAT AIHEUTUNEET YLLÄMAINITTUJEN OHJEIDEN LAIMINLYÖNNISTÄ.**



## ΓΕΝΙΚΑ

Διαβάστε προσεκτικά το περιεχόμενο των οδηγιών, διότι παρέχει σημαντικές υποδείξεις που αφορούν την ασφάλεια της εγκατάστασης της χρήσης και της συντήρησης. Φυλάξτε το φυλλάδιο για ενδεχόμενες συμβουλές. Η συσκευή σχεδιάστηκε για χρήση σε έκδοση απορρόφησης (εκκένωση αέρα προς το εξωτερικό - Εικ. 1B), διήθησης (ανακύκλωση αέρα στο εσωτερικό - Εικ. 1A) ή με εξωτερικό κινητήρα (Εικ. 1C).

## ΥΠΟΔΕΙΞΕΙΣ ΑΣΦΑΛΕΙΑΣ

1. Προσοχή σε περίπτωση που λειτουργούν ταυτόχρονα απορροφητήρας απορρόφησης και καυστήρας ή μια εστία που εξαρτώνται από τον αέρα του περιβάλλοντος και τροφοδοτούνται από ενέργεια όχι ηλεκτρική διότι ο απορροφητήρας απορροφώντας αφαιρεί από τον περιβάλλον τον αέρα που έχουν ανάγκη για την καύση ο καυστήρας ή η εστία. Η αρνητική πίεση στο χώρο δεν πρέπει να ξεπερνά τα 4PA (4x10-5bar). Για σίγουρη ασφαλές λειτουργία του απορροφητήρα, οφείλεται να υπάρχει κατάλληλος αερισμός στο χώρο. Για την εξωτερική εκκένωση ακολούθησε τις ισχύοντες προδιαγραφές της χώρας.

## Πριν συνδέσετε το μοντέλο στο ηλεκτρικό δίκτυο:

- Ελέγξτε την πινακίδα στοιχείων (που βρίσκεται στο εσωτερικό της συσκευής) για να βεβαιωθείτε ότι η τάση και η ισχύς της συσκευής αντιστοιχούν στο ηλεκτρικό σας δίκτυο καθώς και για την καταλληλότητα του ηλεκτρικού βύσματος. Σε περίπτωση δυσκολιών επικοινωνήστε με έναν ειδικευμένο ηλεκτρολόγο.

- Αν το καλώδιο τροφοδοσίας είναι χαλασμένο, πρέπει να αντικατασταθεί από ένα καλώδιο ή ένα ειδικό σύστημα, διαθέσιμο από τον κατασκευαστή ή την υπηρεσία του τεχνικής υποστήριξης.

- Συνδέστε τη διάταξη στην τροφοδοσία μέσω ενός βύσματος με ασφάλεια 3A ή στα δύο καλώδια του διαφασικού προστατευόμενα από μια ασφάλεια 3A.

## 2. ΠΡΟΣΟΧΗ!

Σε ορισμένες περιπτώσεις οι ηλεκτρικές συσκευές μπορεί να αποτελούν κίνδυνο.

A) Μην ελέγχετε την κατάσταση των φίλτρων όσο ο απορροφητήρας είναι σε λειτουργία.

B) Μην αγγίζετε τις λυχνίες ή τις γειτονικές περιοχές κατά ή αμέσως μετά την παρατεταμένη χρήση της εγκατάστασης φωτισμού

C) Απαγορεύεται να μαγειρεύετε τρόφιμα σε φλόγα κάτω από τον απορροφητήρα.

D) Αποφεύγετε ελεύθερες φλόγες διότι προκαλούν ζημιά στα φίλτρα και μπορούν να προκαλέσουν πυρκαγιές.

E) Να διατηρείτε συνεχώς υπό έλεγχο το ηγάνισμα των τροφίμων για να μη πάρε φωτιά το καυτό λάδι.

F) Αποσυνδέστε το βύσμα από την ηλεκτρική πρίζα πριν προχωρήσετε στη συντήρηση.


G) Η συσκευή δεν προορίζεται για να χρησιμοποιείται από παιδιά ή άτομα ανίκανα χωρίς επιτήρηση.

H) Να επιτηρείτε τα παιδιά για να είστε βέβαιοι ότι δεν παίζουν με τη συσκευή.

I) Όταν ο απορροφητήρας χρησιμοποιείται ταυτόχρονα με συσκευές που καίνε αέριο ή άλλα καύσιμα, ο χώρος πρέπει να αερίζεται δεόντως.

L) Αν οι εργασίες καθαρισμού δεν εκτελούνται σύμφωνα με τις οδηγίες, υπάρχει κίνδυνος να προκληθεί πυρκαγιά.

Η συσκευή αυτή είναι χαρακτηρισμένη σύμφωνα με την Ευρωπαϊκή Οδηγία 2002/96/EC, Waste Electrical and Electronic Equipment (WEEE). Ο χρήστης με το να διαθέτει το προϊόν αυτό ως απόρριμμα με τον ενδεδειγμένο τρόπο συμβάλει στην αποφυγή αρνητικών συνεπειών για το περιβάλλον και την υγεία.


Το σύμβολο  στο προϊόν ή στην τεκμηρίωση που το συνοδεύει δείχνει ότι το προϊόν αυτό δεν πρέπει να αντιμετωπίζεται ως απόρριμμα οικιακό αλλά πρέπει να παραδίνεται σε κατάλληλα σημεία συλλογής για την ανακύκλωση ηλεκτρικών και ηλεκτρονικών συσκευών. Διαθέστε το ως απόρριμμα τηρώντας τους κατά τόπους κανονισμούς για τη διάθεση των απορριμμάτων. Για περαιτέρω πληροφορίες για τη μεταχείριση, την ανάκτηση και την ανακύκλωση του προϊόντος αυτού, επικοινωνήστε με το αρμόδιο τοπικό γραφείο, την υπηρεσία συλλογής οικιακών απορριμμάτων ή το κατάστημα από το οποίο αγοράσατε το προϊόν αυτό.


## ΟΔΗΓΙΕΣ ΕΓΚΑΤΑΣΤΑΣΗΣ

- Οι διαδικασίες τοποθέτησης και ηλεκτρικής σύνδεσης πρέπει να γίνονται από ειδικευμένο προσωπικό.
- Χρησιμοποιήστε προστατευτικά γάντια πριν προχωρήσετε στις εργασίες συναρμολόγησης

## • Ηλεκτρική σύνδεση

Σημείωση! Ελέγξτε την πινακίδα δεδομένων που βρίσκεται στο εσωτερικό της συσκευής:

- Αν στην πινακίδα εμφανίζεται το σύμβολο  σημαίνει ότι η συσκευή δεν πρέπει να συνδέεται σε γείωση, συνεπώς εκτελέστε τις οδηγίες που αφορούν την κατηγορία μόνωσης II.

- Αν στην πινακίδα ΔΕΝ εμφανίζεται το σύμβολο  εκτελέστε τις οδηγίες που αφορούν την κατηγορία μόνωσης I.

## Κατηγορία μόνωσης II

Η συσκευή ανήκει στο τύπο II, που σημαίνει πως κανένα καλώδιο δεν πρέπει να συνδεθεί με την γείωση.

Το βύσμα πρέπει να είναι εύκολα προσβάσιμο μετά την εγκατάσταση της συσκευής.

Στην περίπτωση που η συσκευή διαθέτει καλώδιο χωρίς βύσμα, για να το συνδέσετε στο ηλεκτρικό δίκτυο είναι αναγκαίο να μεσολαβεί μεταξύ της συσκευής και του ηλεκτρικού δικτύου ένας παντολικός διακόπτης με ελάχιστο άνοιγμα μεταξύ των επαφών 3mm, επαρκής για το φορτίο και σύμφωνος με τους ισχύοντες κανονισμούς.

Η σύνδεση στο δίκτυο θα πρέπει να γίνει ως εξής:

ΚΑΦΕ = γραμμή L

ΜΠΛΕ = N ουδέτερη γραμμή.

## Κατηγορία μόνωσης I


Η συσκευή αυτή κατασκευάστηκε ως κατηγορία I, γι αυτό πρέπει να συνδέεται στη γείωση.

Η σύνδεση στο ηλεκτρικό δίκτυο πρέπει να διενεργείται ως ακολούθως:

ΚΑΦΕ = L γραμμή

ΜΠΛΕ = N ουδέτερο

ΚΙΤΡΙΝΟ/ΠΡΑΣΙΝΟ =  γείωση.

Το ουδέτερο καλώδιο πρέπει να συνδέεται στον ακροδέκτη με το σύμβολο N ενώ το ΚΙΤΡΙΝΟ/ΠΡΑΣΙΝΟ καλώδιο, πρέπει να συνδέεται στον ακροδέκτη πλησίον του συμβόλου της γείωσης .

Στη διαδικασία ηλεκτρικής σύνδεσης βεβαιωθείτε ότι

η ηλεκτρική πρίζα διαθέτει σύνδεση γείωσης. Μετά τη συναρμολόγηση του απορροφητήρα, προσέξτε ώστε η θέση της ηλεκτρικής πρίζας να είναι εύκολα προσβάσιμη. Στην περίπτωση άμεσης σύνδεσης στο ηλεκτρικό δίκτυο είναι αναγκαίο να μεσολαβεί μεταξύ της συσκευής και του ηλεκτρικού δικτύου ένας πανπολικός διακόπτης με ελάχιστο άνοιγμα μεταξύ των επαφών 3mm, ικανό για το φορτίο και σύμφωνο με τους ισχύοντες κανονισμούς.

- Η ελάχιστη απόσταση από την επιφάνεια στήριξης των συσκευών μαγειρέματος στις εστίες και το χαμηλότερο τμήμα του απορροφητήρα της κουζίνας πρέπει να είναι ίση με τουλάχιστον **45 cm**. Σε περίπτωση που χρησιμοποιηθεί σωλήνας σύνδεσης το οποίο αποτελείται από δύο ή περισσότερα κομμάτια, θα πρέπει το πάνω μέρος να περαστεί πάνω από το κάτω μέρος. Σε καμία περίπτωση δεν πέπει ο σωλήνας απορρόφησης να συνδεθεί με σωλήνα, ο οποίος χρησιμοποιείτε για εκκένωση καπνού συσκευών που τροφοδοτούνται από ενέργεια όχι ηλεκτρική. Πριν προχωρήσετε στις διεργασίες συναρμολόγησης, για ευκολότερο χειρισμό της συσκευής αποσυνδέστε το φίλτρο/-α συγκράτησης λιπαρών (Εικ.2.2 - Εικ.3.2).

- Στην περίπτωση συναρμολόγησης της συσκευής στην έκδοση για απορρόφηση τοποθετήστε την οπή εξαγωγής αέρα.

- Συνιστάται η χρήση ενός σωλήνα εκκένωσης αέρα ίδιας διαμέτρου με το στόμιο εξόδου αέρα. Η χρήση προαρμοστικού θα μπορούσε να μειώσει τις επιδόσεις του προϊόντος και να αυξήσει τη θορυβότητα.

- Αν η συσκευή διαθέτει κάλυμμα **M** αφαιρέστε το απαγκιστρώνοντας το όπως δείχνει η Εικ.2.3 - Εικ.3.3. Πριν προχωρήσετε με τη συναρμολόγηση, για έναν εύκολο χειρισμό της συσκευής αφαιρέστε το φίλτρο αντιγράσου τραβώντας το χερούλι **B** όπως φαίνεται στην Εικ.2.2 - Εικ.3.2.

Αν έχετε ένα μοντέλο με περιμετρικό πάνελ αναρρόφησης, πριν πραγματοποιήσετε αυτή τη λειτουργία, ακολουθήστε τις ακόλουθες φάσεις:

- Ανοίξτε το πλαίσιο **C** όπως δείχνει η Εικ.2.1 - Εικ.3.1.
- Αν έχετε την έκδοση με τα τρία πάνελ **A** απελευθερώστε τα από τους πείρους στερώματος τραβώντας προς τα έξω (Εικ.3.4) και διαδοχικά αφαιρέστε τα από τους πείρους ασφαλείας **N** (Εικ.3.4) που είναι τοποθετημένοι στο εσωτερικό του απορροφητήρα. Για να τα επανατοποθετήσετε ακολουθήστε την αντίστροφη λειτουργία. **ΠΡΟΣΟΧΗ!** Κατά τη διάρκεια αυτής της αποσυναρμολόγησης και συναρμολόγησης βεβαιωθείτε ότι το βύσμα είναι σταθερά συνδεδεμένο στο πάνελ έτσι ώστε να αποφυγεί τις κατά λάθος πτώσεις.

#### • Στήριγμα στον τοίχο:

Σημειώστε το κάτω μέρος του απορροφητήρα στον τοίχο λαμβάνοντας υπόψη τα μέτρα που υποδεικνύονται στην Εικ.4A και την ελάχιστη απόσταση από την επιφάνεια μαγειρέματος (Εικ.4B).

- Τοποθετήστε το πλέγμα στερέωσης στον τοίχο, προσέχοντας να συμπέσει η γραμμή με εκείνη που χαράζεται στην προηγούμενη παράγραφο.

- Σημάδεψτε και δημιουργήστε τις οπές στερέωσης (Εικ.5).

- Στερεώστε τις 2 επάνω βίδες **K** χωρίς να τις βιδώσετε τελείως και τα ούπα (Εικ.5).

- Τοποθετήστε τη συσκευή στον τοίχο (Εικ.6A).

- Δώστε προσοχή ώστε οι 2 βίδες ευθυγράμμισης **J** να έχουν ασφαλισί (Εικ.6B.1).

- Ευθυγραμμίστε τη συσκευή σε οριζόντια θέση από τις δύο βίδες ευθυγράμμισης **J** (Εικ.6B.1).

- Μόλις γίνει η ρύθμιση, στερεώστε τον απορροφητήρα καλά από τις βίδες **K** (Εικ.6C - Εικ.6D).

- Για μεγαλύτερη πρόσβαση στο σύστημα του μοτέρ, σε περίπτωση οπισθήριξης αφού έχετε ευθυγραμμίσει και στερεώσει οριστικά τη συσκευή, σάς συστήνουμε να αφαιρέσετε τα στηρίγματα (Εικ.6B.1).

- Για τις διάφορες συναρμολογήσεις χρησιμοποιήστε βίδες και ούπα κατάλληλα για τον τύπο τοίχου (π.χ. οπλισμένο σκυρόδεμα, χαρτόγυψος, κλπ).

- Στην περίπτωση που οι βίδες και τα ούπα παρέχονται με το προϊόν βεβαιωθείτε ότι αυτά είναι κατάλληλα για τον τύπο τοίχου στον οποίο θα στερεωθεί ο απορροφητήρας.

#### • Εγκατάσταση για μοντέλα χωρίς διακοσμητική καπνοδόχο:

##### Έκδοση αναρρόφησης

- Απαγκιστρώστε το κάλυμμα **M** και αφαιρέστε τη σχάρα **E** (Εικ.7).

- Περάστε το καλώδιο τροφοδοσίας στην οπή του καλύμματος **M** όπως δείχνει η Εικ.9A.1.

- Πάρτε τον τονοδηγό **H** και τοποθετήστε τον μεταξύ του καλωδίου τροφοδοσίας και της οπής (Εικ.9A.2).

- Συνδέστε τον εύκαμπο σωλήνα **L** (που δεν παρέχεται) στον απορροφητήρα (Εικ.9B).

- Τοποθετήστε ξανά το κάλυμμα **M** με προσοχή ώστε να συνδεθεί απόλυτα με τους πείρους στερέωσης **G** (Εικ.9B).

##### • Έκδοση αναρρόφησης:

- Απαγκιστρώστε το κάλυμμα **M** και αφαιρέστε τη σχάρα **E** (Εικ.7).

- Περάστε το καλώδιο τροφοδοσίας στην οπή του καλύμματος **M** όπως δείχνει η Εικ.8.1.

- Πάρτε τον τονοδηγό **H** και τοποθετήστε τον μεταξύ του καλωδίου τροφοδοσίας και της οπής (Εικ.8.2).

- Στερεώστε το κάλυμμα **M** και τη σχάρα **E** με προσοχή ώστε να συνδεθεί απόλυτα με τους πείρους στερέωσης **G** (Εικ.8).

##### • Προαιρετικό:

Αυτό το μοντέλο απορροφητήρα μπορεί προαιρετικά να έχει διακοσμητικές καμινάδες που θα ζητήσετε από τον μεταπωλητή σας. Πριν τοποθετήσετε τις διακοσμητικές καπνοδόχους, αφαιρέστε το κάλυμμα **M** και ξεβιδώστε τις 4 βίδες **Q** που αποκάρουν τους πείρους στερέωσης **G** όπως δείχνει η Εικ.11.

#### • Εγκατάσταση για μοντέλα με διακοσμητική καπνοδόχο:

##### Έκδοση αναρρόφησης

ορίστε την ηλεκτρική τροφοδοσία εντός των διαστάσεων της διακοσμητικής καπνοδόχου.

Ρυθμίστε το πλάτος της δοκού στηρίγματος της άνω διακοσμητικής καπνοδόχου (Εικ.10.2).

Στη συνέχεια στερεώστε την στον τοίχο με τρόπο που να βρίσκεται σε άξονα με τον απορροφητήρα από τις βίδες **A** και τρώντας την απόσταση που υποδεικνύεται στην Εικ.10.1.

Συνδέστε με έναν εύκαμπο σωλήνα **L**, τη φλάντζα **F** στην οπή εκκένωσης αέρα (Εικ.12A).

Εισάγετε την άνω διακοσμητική καπνοδόχο μέσα στην κάτω διακοσμητική καπνοδόχο και ακουμπήστε πάνω από το σώμα του απορροφητήρα (Εικ.12B).

Αφαιρέστε το άνω διακοσμητική καπνοδόχο μέχρι το στηρίγμα και στερεώστε από τις βίδες **B** (Εικ.10.2).

Για να μετατρέψετε τον απορροφητήρα από έκδοση απορρόφησης σε έκδοση διήθησης, ζητήστε από τον μεταπωλητή σας τα φίλτρα ενεργού άνθρακα και ακολουθήστε τις οδηγίες συναρμολόγησης.

##### • Έκδοση αναρρόφησης:

##### Προσοχή!

Για τα φίλτρα θα πρέπει να γίνεται παραγγελία από το

κατάστημα αγοράς ως ανταλλακτικό.

- Για να μετατρέψετε τον απορροφητήρα από την έκδοση **ΑΝΑΡΡΟΦΗΣΗΣ** στην έκδοση **ΦΙΛΤΡΑΡΙΣΜΑΤΟΣ** τα φίλτρα άνθρακα θα πρέπει να τοποθετηθούν από το κατάστημα πώλησης ως εξοπλισμός.

Διατίθενται δύο διαφορετικά είδη, ένα με μη ανανεώσιμα φίλτρα (Εικ.13) και το άλλο με ανανεώσιμα φίλτρα (πλενόμενα) (Εικ.14).

Διαφορετικά από άλλα φίλτρα άνθρακα, αυτό το ανανεώσιμο φίλτρο μπορεί να πλυθεί και να χρησιμοποιηθεί ξανά για άλλες 12-15 φορές περίπου. Με την κανονική χρήση του απορροφητήρα, αυτό το φίλτρο θα πρέπει να καθαρίζεται κάθε 2-3 μήνες.

Το φίλτρο μπορεί να πλυθεί στο πλυντήριο πιάτων στη μέγιστη θερμοκρασία χρησιμοποιώντας ένα κοινό απορρυπαντικό για πλυντήριο πιάτων.

Μετά την πλύση για να ενεργοποιηθεί το ξανά το πλενόμενο φίλτρο θα πρέπει να το στεγνώσετε στους 100° για 15-20 λεπτά.

Το φίλτρο θα διατηρήσει την απορροφητική ικανότητά του όσο αφορά τις οσμές για τρία χρόνια, κατόπιν θα πρέπει να αντικατασταθεί.

- Αν στη συσκευασία βρείτε ένα στήριγμα όπως εκείνα που υποδεικνύονται στην Εικ.14 θα πρέπει να ξεβιδώσετε τις 4 βίδες που έχουν εγκατασταθεί στον απορροφητήρα και να τοποθετήσετε το στήριγμα με τις 4 βίδες που βγάλατε προηγουμένως.

- Για την αντικατάσταση των ανανεώσιμων φίλτρων άνθρακα **Y**, αφαιρέστε τα στήριγματα από τη βάση, τραβώντας προς τα έξω (Εικ.14).

- Αν η συσκευή σας δεν διαθέτει στήριγμα, σημαίνει ότι το φίλτρο ενεργού άνθρακα δεν μπορεί να ανανεωθεί (Εικ.13). Αυτό θα πρέπει να τοποθετούνται στο σύστημα αναρρόφησης που βρίσκεται μέσα στον απορροφητήρα, κεντραρισμένα και περιστρέφοντας τα κατά 90 μοίρες μέχρι να ακουστεί ο χαρακτηριστικός θόρυβος (Εικ.13).

## ΧΡΗΣΗ ΚΑΙ ΣΥΝΤΗΡΗΣΗ

• Συνιστάται να θέσετε σε λειτουργία τη συσκευή πριν προχωρήσετε στο μαγείρεμα κάποιου τροφίμου. Συστήνεται να αφήνετε τη συσκευή να λειτουργεί για 15 λεπτά αφού τελειώσετε το μαγείρεμα των τροφίμων, για πλήρη εκκένωση του μολυσμένου αέρα. Η καλή λειτουργία του απορροφητήρα εξαρτάται από τη σωστή και συνεχή συντήρηση. Ιδιαίτερη προσοχή πρέπει να δοθεί στο φίλτρο συγκράτησης λίπους και στο φίλτρο ενεργού άνθρακα.

• Το φίλτρο συγκράτησης λίπους έχει ως σκοπό τη συγκράτηση των λιπαρών σωματιδίων που αιωρούνται στον αέρα, συνεπώς υπόκειται σε έμφραξη σε χρονικά διαστήματα που ποικίλουν ανάλογα με τη χρήση της συσκευής.

- Προκειμένου να αποφευχθεί κάθε κίνδυνος πυρκαγιάς, το ανώτερο κάθε 2 μήνες, είναι απαραίτητο να πλένετε τα φίλτρα αντιγράσου στο χέρι, χρησιμοποιώντας ρευστά ουδέτερα απορρυπαντικά, ή σε πλυντήρια πιάτων σε χαμηλές θερμοκρασίες και σε σύντομες πλύσεις.

- Μετά από μερικές πλύσεις, μπορεί να διαπιστωθούν αλλοιώσεις του χρώματος. Το γεγονός αυτό δεν αποτελεί λόγο διαμαρτυρίας για τυχόν αντικατάστασή τους.

• Τα ενεργά φίλτρα άνθρακα χρησιμοποιούνται για τον καθαρισμό του αέρα που ανακυκλώνεται στο περιβάλλον και έχει τη λειτουργία να μειώνει τις δυσάρεστες οσμές που προκαλούνται από το μαγείρεμα.

- Τα μη ανανεώσιμα ενεργά φίλτρα άνθρακα πρέπει να αντικαθίστανται κάθε 4 μήνες το ανώτερο. Ο κορεσμός του ενεργού άνθρακα εξαρτάται περίπου από τη διάρκεια χρήσης της συσκευής, από τον τύπο της κουζίνας και

από τη συχνότητα με την οποία γίνεται ο καθαρισμός του φίλτρου αντιγράσου.

- Τα ανανεώσιμα ενεργά φίλτρα άνθρακα πρέπει να πλένονται στο χέρι, με λειαντικά ουδέτερα καθαριστικά, ή στο πλυντήριο πιάτων σε μέγιστη θερμοκρασία των 65°C (ο κύκλος πλύσης πρέπει να ολοκληρωθεί χωρίς οικιακά σκεύη). Αφαιρέστε το υπερβολικό νερό χωρίς να καταστρέψετε το φίλτρο, βγάλτε τα μέρη από πλαστικό, και στεγνώστε το στρωματάκι στο φούρνο για περίπου 15 λεπτά και στη μέγιστη θερμοκρασία των 100°C. Για να διατηρείτε τη αποτελεσματική λειτουργία του ανανεώσιμου φίλτρου άνθρακα πρέπει να επαναλαμβάνετε αυτή τη λειτουργία κάθε 2 μήνες. Αυτά πρέπει να αντικαθιστούνται το ανώτερο κάθε 3 χρόνια ή όταν το στρωματάκι έχει καταστραφεί.

• Πριν επανοποθετήσετε τα φίλτρα αντιγράσου και τα ενεργά ανανεώσιμα φίλτρα άνθρακα προσέξτε αυτά να έχουν στεγνώσει καλά.

• Να καθαρίζετε συχνά τον απορροφητήρα, εσωτερικά και εξωτερικά, χρησιμοποιώντας ένα βρεγμένο πανί με μετουσιωμένο οινόπνευμα ή υγρά ουδέτερα απορρυπαντικά **μη** αποξυστικά.

• Η εγκατάσταση φωτισμού σχεδιάστηκε για να χρησιμοποιείται κατά το μαγείρεμα και όχι για γενικό παρατεταμένο φωτισμό του χώρου. Η παρατεταμένη χρήση του φωτισμού μειώνει σημαντικά τη μέση διάρκεια των λυχνιών.

• Αν η συσκευή είναι εξοπλισμένη με **φωτισμό περιβάλλοντος** αυτός μπορεί να χρησιμοποιηθεί για παρατεταμένη χρήση γενικού φωτισμού του περιβάλλοντος.

• Προσοχή: Η μη τήρηση των προειδοποιήσεων για την καθαριότητα του απορροφητήρα και την αντικατάσταση και καθαρισμό των φίλτρων μπορεί να προκαλέσει πυρκαγιά. Σας συνιστούμε κατά συνέπεια να ακολουθείτε προσεκτικά τις οδηγίες που προτείνονται.

• Αντικατάσταση των λυχνιών αλογόνου (Εικ.15.1):

Για την αντικατάσταση των λυχνιών αλογόνου **β** βγάλτε το γυαλάκι **C** κάνοντας αντίσταση στις σχετικές εσοχές. Αντικαταστήστε με λυχνίες ίδιου τύπου.

Προσοχή: μην αγγίζετε τη λυχνία με γυμνά χέρια.

• Αντικατάσταση των λαμπτήρων LED (Εικ.15.2):

Αν η έκδοση της συσκευής είναι με λαμπτήρες **LED** για την αντικατάσταση χρειάζεται η επέμβαση ενός ειδικευμένου τεχνικού.

• Εντολες (Εικ.16) φωτεινοί:

**A**=πλήκτρο ΦΩΤΙΣΜΟΣ

**B**=πλήκτρο ΟΦΦ ΤΑΧΥΤΗΤΑ

**C**=πλήκτρο ΠΡΩΤΗ ΤΑΧΥΤΗΤΑ

**D**=πλήκτρο ΔΕΥΤΕΡΗ ΤΑΧΥΤΗΤΑ

**E**=πλήκτρο ΤΡΙΤΗ ΤΑΧΥΤΗΤΑ

**F**=πλήκτρο TIMEP ΑΥΤΟΜΑΤΟ ΣΤΑΜΑΤΗΜΑ 15 λεπτών (\*)

Αν η συσκευή σας διαθέτει τη λειτουργία **ΥΨΗΛΗΣ** ταχύτητας, ξεκινώντας από την ΤΡΙΤΗ ταχύτητα και κρατώντας πατημένο για 2 δευτερόλεπτα περίπου το πλήκτρο **E**, θα ενεργοποιηθεί για 10 λεπτά ενώ μετά θα επιστρέψει στην ταχύτητα που είχε ρυθμιστεί προηγουμένως. Όταν η λειτουργία είναι ενεργή η λυχνία LED θα αναβοβλίνει. Για να τη διακόψετε πριν από τα 10 λεπτά πατήστε ξανά το πλήκτρο **E**.

Πιέζοντας το πλήκτρο **F** για 2 δευτερόλεπτα (με τον απορροφητήρα σβηστό) ενεργοποιείται η λειτουργία "clean air". Αυτή η λειτουργία ανάβει τον κινητήρα για 10 λεπτά κάθε ώρα στην πρώτη ταχύτητα. Μόλις ενεργοποιηθεί η λειτουργία, ο κινητήρας ξεκινά με την 1η ταχύτητα για 10 λεπτά κατά τη διάρκεια των οποίων

θα πρέπει να αναβοσβήνει το πλήκτρο F και το πλήκτρο C. Αφού περάσει αυτός ο χρόνος ο κινητήρας σβήνει και το φωτάκι του πλήκτρου F παραμένει αναμμένο σταθερό έως ότου μετά από άλλα 50 λεπτά ξαναξεκινά ο κινητήρας με την πρώτη ταχύτητα και τα φωτάκια F και C ξαναρχίζουν να αναβοσβήνουν για 10 λεπτά και έτσι συνεχίζει. Πατώντας οποιοδήποτε πλήκτρο εκτός από τα φώτα του απορροφητήρα, επιστρέφει στην κανονική λειτουργία (πχ. αν πατήσετε το πλήκτρο D απενεργοποιείται η λειτουργία “clean air” και το μοτέρ μπαίνει στη 2η ταχύτητα. Πατώντας το πλήκτρο B η λειτουργία απενεργοποιείται.

(\*) Η λειτουργία “TIMER ΑΥΤΟΜΑΤΟ ΣΒΗΣΙΜΟ” καθυστερεί το σταμάτημα του απορροφητήρα, που θα συνεχίσει να λειτουργεί στην τρέχουσα ταχύτητα κατά την ενεργοποίηση αυτής της λειτουργίας και για 15 λεπτά.

• **Κορεσμός φίλτρων συγκράτησης λίπους/ενεργού άνθρακα:**

-Όταν το κουμπί A αναβοσβήνει με συχνότητα 2 sec. τα φίλτρα συγκράτησης λίπους πρέπει να πλένονται.

-Όταν το πλήκτρο A αναβοσβήνει κάθε 0,5 δευτ. τα ενεργά φίλτρα άνθρακα πρέπει να πλυθούν ή να αντικατασταθούν σύμφωνα με τον τύπο του φίλτρου.

Αφού επαναποθετηθεί το καθαρό φίλτρο θα πρέπει να κάνετε reset στην ηλεκτρονική μνήμη πιέζοντας το κουμπί A για περίπου 5 sec. μέχρι να σταματήσει να αναβοσβήνει.

• **Εντολες (Εικ.17):**

**Πλήκτρο A** = αναβει/σβηνει τα φωτα.

**Πλήκτρο B** = αναβει/σβηνει τον απορροφητηρα. Η συσκευή αναβει στην 1° ταχυτητα. Εάν ο απορροφητηρας είναι αναμμενος πατησε το πληκτρο για 2 δευτ. για να σβησει. Εάν ο απορροφητηρας βρισκεται στην 1° ταχυτητα δεν είναι αναγκαιο να κρατας πατημενο το πληκτρο για να σβησει. Ελαττωνει την ταχυτητα του κινητηρα.

**Display C** = δειχνει την ταχυτητα επιλογης του κινητηρα και την ενεργοποιηση του timer.

**Πλήκτρο D** = αναβει τον απορροφητηρα. Αυξανει την ταχυτητα του κινητηρα. Πατοντας το πληκτρο απο την 3° ταχυτητα εισαγεται η εντατικη λειτουργια για 10', μετα η συσκευη ξαναγυριζει να λειτουργει στην ταχυτητα που λειτουργουσε την στιγμη της ενεργοποιησης. Κατα την διαρκεια αυτης της λειτουργιας το display αναβοσβηνει.

**Πλήκτρο E** = Το Timer ρυθμίζει χρονικά τις λειτουργίες, τη στιγμή της ενεργοποίησης, για 15 λεπτά μετά την απενεργοποίησή τους. Το Timer απενεργοποιείται ξαναπιέζοντας το κουμπί E. Όταν η λειτουργία Timer είναι ενεργή στην οθόνη πρέπει να αναβοσβήνει το δεκαδικό σημείο. Αν είναι σε λειτουργία η έντονη ταχύτητα, το Timer δεν μπορεί να ενεργοποιηθεί.

Πιέζοντας το κουμπί E για 2 δευτερόλεπτα, όταν η συσκευή είναι σβηστή, ενεργοποιείται η λειτουργία “clean air”. Αυτή ενεργοποιεί τον κινητήρα για 10 λεπτά κάθε ώρα στην πρώτη ταχύτητα. Κατά τη λειτουργία, η οθόνη πρέπει να απεικονίζει μια περιστροφική κίνηση των περιφερειακών τμημάτων. Με το πέρας του χρόνου αυτού ο κινητήρας σβήνει και η οθόνη πρέπει να απεικονίζει το γράμμα “C” σταθερά μέχρις ότου, μετά από άλλα 50 λεπτά, θα επανεκκινήσει ο κινητήρας για άλλα 10 λεπτά κ.ο.κ.. Για να επιστρέψετε στην κανονική λειτουργία πατήστε οποιοδήποτε πλήκτρο εκτός από το φως. Για απενεργοποιήσετε τη λειτουργία πατήστε το πλήκτρο E.

• **Κορεσμός φίλτρων συγκράτησης λίπους/ενεργού άνθρακα:**

-Όταν η οθόνη C αναβοσβήνει εναλλάσσοντας την

ταχύτητα εργασίας με το γράμμα F (π.χ. 1 και F) τα φίλτρα συγκράτησης λίπους πρέπει να πλυθούν.

-Όταν το display C αναβοσβήνει εναλλάσσοντας την ταχύτητα άσκησης με το γράμμα A (π.χ. 1 και A) τα ενεργά φίλτρα άνθρακα πρέπει να πλυθούν ή να αντικατασταθούν ανάλογα με τον τύπο του φίλτρου.

Αφού επαναποθετηθεί το καθαρό φίλτρο, θα πρέπει να κάνετε reset στην ηλεκτρονική μνήμη πιέζοντας το κουμπί A για περίπου 5 sec μέχρι να σταματήσει να αναβοσβήνει η επιόμμανση F ή A της οθόνης C.

• **Εντολες (Εικ.18) Μηχανικο:**

**A**=πλήκτρο ΦΩΤΙΣΜΟΥ

**B**=πλήκτρο ΟΦΦ ΤΑΧΥΤΗΤΑ

**C**=πλήκτρο ΠΡΩΤΗ ΤΑΧΥΤΗΤΑ

**D**=πλήκτρο ΔΕΥΤΕΡΗ ΤΑΧΥΤΗΤΑ

**E**=πλήκτρο ΤΡΙΤΗ ΤΑΧΥΤΗΤΑ

**ΔΕΝ ΑΝΑΛΑΜΒΑΝΟΥΜΕ ΕΥΘΥΝΕΣ ΓΙΑ ΤΥΧΩΝ ΖΗΜΙΕΣ ΠΟΥ ΠΡΟΚΑΛΟΥΝΤΑΙ ΑΠΟ ΤΗΝ ΜΗ ΤΗΡΗΣΗ ΤΩΝ ΣΥΜΒΟΥΛΩΝ ΠΟΥ ΠΡΟΑΝΑΦΕΡΘΗΚΑΝ.**

## ÁLTALÁNOS TUDNIVALÓK

Kérjük, figyelmesen olvassa el útmutatónkat, mert fontos tudnivalókat tartalmaz a készülék felszerelésére, használatára és karbantartására vonatkozóan. Őrizze meg, mert a későbbiekben is szüksége lehet rá. A berendezést úgy tervezték, hogy elszívással (a levegőnek a szabadba történő kivezetésével – 1B.ábra), szűrővel (a levegő visszavezetésével – 1A.ábra), vagy külső motorral (1C.ábra) is használható.

## BIZTONSÁGI FIGYELMEZTETÉSEK

1. Figyeljünk arra, hogyha nem villannyal működő és ugyanannak a helyiségnek a légtérét használó elszívó, kályha vagy tűzhely működik egyszerre, akkor az elszívó esetleg kivonja a kályha vagy a tűzhely égéséhez szükséges levegőt. A helyiség negatív nyomása 4 PA-nál nem lehet nagyobb ( $4 \times 10^{-5}$  bar). A biztonságos működés érdekében gondoskodjunk a helyiség megfelelő levegőellátásáról. A szennyezett levegő külső térbe való elvezetésekor tartsuk be az ide vonatkozó előírásokat.

## Mielőtt bekötne a modellt az elektromos hálózatra:

-Ellenőrizze a (a készülék belsejében található) műszaki adatokat tartalmazó táblát, és győződjön meg arról, hogy az elektromos hálózat feszültsége és teljesítménye megfelel-e a feltüntetett adatoknak, valamint, hogy a csatlakozó megfelelő-e. Amennyiben kételyei merülnek fel, forduljon szakképzett villanyszerelőhöz.

-Ha a tápkábel megsérült, ki kell cserélni egy másik kábelre, vagy a gyártónál vagy annak szervizközpontjában beszerezhető speciális egységre.

-3A-s biztosítókkal ellátott csatlakozódugóval kösse be a hálózatra az egységet, vagy csatlakoztassa 3A-s biztosítókkal védett kétfázisú kábel két éréhez.

## 2. Figyelem!

**Bizonyos esetekben az elektromos készülékek veszélyt jelenthetnek.**

**A) Az elszívó működése közben ne ellenőrizze a szűrők állapotát.**

**B) A készülék világításának hosszan tartó használata közben vagy közvetlenül azt követően ne érjen az izzókhoz vagy a mellettük lévő felületekhez.**

**C) Az elszívó alatt tilos nyílt lángon sütni.**

**D) Ne használjon nyílt lángot, mert az tönkretelheti a szűrőket és tüzet okozhat.**

**E) Tartsa folyamatosan szem előtt a sütet, nehogy a forró olaj meggyulladjon.**

**F) A karbantartási műveletek előtt húzza ki a konnektort a dugóból.**

**G) A készülék nem gyerekek vagy felügyelet nélküli hagyott, működtetésre alkalmatlan személyek általi használatra lett tervezve.**

**H) Vigyázzon a gyerekekre, hogy ne hogy játszanak a készülékkel.**

**I) Amennyiben az elszívót gázzal vagy más éghető anyaggal működő készülékkel együtt használja, a helyiségnek megfelelő szellőzéssel kell rendelkeznie.**

**L) Amennyiben a tisztítási műveleteket nem az utasításoknak megfelelően végzi el, fennáll a veszély annak, hogy a készülék kigyullad.**

A készülék megfelel az elektromos és elektronikus berendezések hulladékairól (WEEE) szóló 2002/96/EK európai uniós irányelvnek. Gondoskodjon a termék megfelelő kezeléséről, annak működésből történő kivonása után, a felhasználó hozzájárul a környezetet és az egészségre való káros hatások megelőzéséhez.

A terméken vagy a mellékelt dokumentáción feltüntetett



jelölés azt jelzi, hogy a termék nem kezelhető háztartási hulladékként, hanem a megfelelő begyűjtő állomásra kell vinni az elektromos és elektronikus berendezések újrahasznosítása érdekében. Készülékétől a hulladékkezelésre vonatkozó helyi előírásoknak megfelelően válnjon meg. A termékkel kezelésével, összegyűjtésével és újrahasznosításával kapcsolatos további információkért forduljon a megfelelő helyi irányító, a háztartási hulladékokat begyűjtő szolgáltathoz, vagy ahhoz az üzlethez, ahol a készüléket megvásárolta.

## FELSZERELÉSI UTASÍTÁSOK

**• A beszerelést és az elektromos bekötést csak szakemberek végezhetik el.**  
**• Vegyék fel a védőkesztyűket az összeszerelési műveletek elkezdése előtt.**

## • Elektromos bekötés

Megjegyzés! Ellenőrizze a készülék belsejében elhelyezett adattáblát:

-Amennyiben az adattáblán fel van tüntetve a □ szimbólum, akkor a készülék nem csatlakoztatható a földeléshez, ezért a II. szigetelési osztály előírásait kell betartani.

-Amennyiben az adattáblán NINCS feltüntetve a □ szimbólum, az I. szigetelési osztály előírásait kell betartani.

## II. szigetelési osztály

A termék kéteres kábelrel készül, vigyázzunk, hogy az egyik huzalt se kössük a földvezetékbe.

A dugónak a készülék felszerelését követően is könnyen megközelíthetőnek kell maradnia.

Abban az esetben, ha a készülék dugó nélküli tápkábelrel van ellátva, az elektromos hálózatra való bekötéshez a készülék és a hálózat közé be kell iktatni egy, a terhelésre szabott és az érvényes szabványnak megfelelő univerzális megszakítót, melynek érintkezői között legalább 3mm távolságnak kell lennie.

A hálózatra való bekötésnél vegyük figyelembe a huzalok színét:

BARNA = L fázis

KÉK = N nullafázis.

## I. szigetelési osztály

**A készülék I.** osztályú, ezért földelt konnektorba kell csatlakoztatni.

Az elektromos hálózathoz történő csatlakoztatást az alábbiak szerint kell elvégezni:

BARNA = L fázis

KÉK = N nulla

SÁRGA/ZÖLD = Ⓛ föld.

A nulla vezetékkel kell összekötni a N jelzésű kapoccsal, míg a SÁRGA/ZÖLD vezetékkel a föld jelhez közeli kapocshoz kell kötni Ⓛ.

Az elektromos összeköttetés kivételésekor győződjön meg

róla, hogy a dugós csatlakozó a földhöz van csatlakoztatva. Az elszívó kürtőjének felszerelése után, ügyeljen rá, hogy az elektromos kapcsoló könnyen hozzáférhető legyen. Abban az esetben, ha közvetlenül csatlakoztatja az elektromos hálózatra, a készülék és a hálózat közé be kell iktatni egy a terhelésre szabott és az érvényes szabványnak megfelelő univerzális megszakítót, melynek érintkezői között legalább 3mm legyen a távolság.

- A főzőlap főzéshez használt edényeket tartó felülete és a konyhai elszívó alsó része között minimum **45 cm** távolságnak kell lennie. Ha két vagy több elvezető csövet kell összeszerelnünk, akkor az alsó csövet illesszük a felső belsejébe. Az elszívó csövet ne vezessük olyan kéménybe, amelyben meleg levegő áramlik, vagy amely nem villanypalánnyal működő berendezés égéstermékét vezeti el. A szerelés megkönnyítéséhez az összeszerelés megkezdése előtt távolítsuk el a zsírszűrőt/zsírszűrőket (2.2.ábra - 3.2.ábra).

- Amennyiben a készüléket konyhai szagelszívóként szereli fel, gondoskodjon kéménynyílásról.

- Tanácsos a levegőkimeneti cső átmérőjével megegyező átmérőjű levegőelvezető csövet használni. Az átmérőcsökkentés csökkenti a termék teljesítményét, és növeli a zajosságát.

- Ha a készülék el van látva **M** boltozattal, távolítsák el kiasztagva a helyéről a 2.3.ábra - 3.3.ábra látható módon. A fel- és leszerelés előtt a készülék könnyebb kezelhetősége érdekében a **B** fogantyú segítségével távolítsa el a zsírszűrőt a (2.2 - 3.2.ábrán látható módon).

Amennyiben a készülék körbefutó elszívó panellel van felszerelve, a fenti művelet elvégzése előtt végezze el az alábbiakat:

- Nyissák ki a **C** panót a 2.1.ábra - 3.1.ábra látható módon.
- Három paneles verzió esetén **A** a rögzítő pecek kifelé húzásával távolítsa el a paneleket (3.4.ábra), majd vegye ki az elszívó belsejében elhelyezett paneleket a biztonsági pecekkel **N** (3.4.ábra). A panelek visszaszereléséhez végezze el a műveleteket fordított sorrendben. **FIGYELEM! A fel- és leszerelési műveletek során győződjön meg arról, hogy biztosan fogja a paneleket, hogy azok ne eshessenek le.**

#### • Fali rögzítés:

Jelöljék meg a páraelszívó alsó részét a falon figyelembe véve a 4A.ábra látható méreteket és a páraelszívó és a főzőlap közötti minimális távolságot (4B.ábra).

- Helyezze a rögzítőlemezt a falra, figyelve arra, hogy a vonal egybeessen az előző szakaszban meghatározott vonallal!

- Jelölje be és fúrja ki a rögzítési pontokat (5.ábra)!

- Enyhén becsavarva rögzítse a tiplikbe a **2 K** csavart (5.ábra)!

- Helyezzék el a készüléket a falra (6A.ábra).

- Ügyeljenek arra, hogy a 2 db., **J** kiszintező csavar meg legyen állítva (6B.1.ábra).

- Állítsák be a készüléket vízszintesen a két, **J** kiszintező csavarral (6B.1.ábra).

- A beállítás befejezésével rögzítsék a páraelszívót véglegesen a **K** csavarokkal (6C.ábra - 6D.ábra).

- Ahhoz, hogy könnyen hozzá lehessen férni a motorgyűjteményhez az szisztencia esetén, amiután a készülékét véglegesen kiszintezték és rögzítették, javasoljuk, hogy távolítsák el a kengyeleket (6B.1.ábra).

- A szerelésekhez használjon a fal típusának megfelelő csavarokat és tipliket (pl. vasbetonhoz, gipszkartonhoz)!

- Amennyiben a termék tartalmazza a csavarokat és tipliket, győződjön meg róla, hogy azok a kürtő rögzítésére szolgáló

fal típusának megfelelnek!

#### • Beszerelés díszítő kémények nélküli modelleken:

##### **Szívóverzió:**

- Akasszák le az **M** boltozatot és távolítsák el az **E** rácsot (7.ábra).

- Vezessék a tápkábelt az **M** boltozat résén keresztül a (9A.1.ábra).

- Fogják meg a **H** kábelvezetőt és helyezték a tápkábel és a rés közé (9A.2.ábra).

- Csatlakoztassák az **L** rugalmas csövet (nem tartozik a készlethez) a páraelszívóhoz (9B.ábra).

- Helyezzék vissza az **M** boltozatot a helyére ügyelve arra, hogy tökéletesen illeszkedjen a **G** rögzítő csapokra (9B.ábra).

##### • Szűrőverzió:

- Akasszák le az **M** boltozatot és távolítsák el az **E** rácsot (7.ábra).

- Vezessék a tápkábelt az **M** boltozat résén keresztül a (8.1.ábra.):

- Fogják meg a **H** kábelvezetőt és helyezték a tápkábel és a rés közé (8.2.ábra).

- Helyezzék vissza az **M** el az **E** rácsot boltozatot a helyére ügyelve arra, hogy tökéletesen illeszkedjen a **G** rögzítő csapokra (8.ábra).

##### • Opcionális:

A kürtőmodellhez díszburkolatot is lehet rendelni a vizszinteladónál. Mielőtt a díszítő kéményeket beszerelik, el kell távolítani az **M** boltozatot és ki kell csavarni a 4 db., **Q** csavart, amelyek rögzítik a **G** rögzítő csapokat a 11.ábra látható módon.

#### • Beszerelés díszítő kéményekkel ellátott modelleken:

##### **Szívóverzió:**

Az áramhálózat ellátást a díszítő kémény helyszükségelete alapján helyezték el.

Szabályozzák be a felső díszítő kéménytartó kengyel szélességét (10.2.ábra).

Majd rögzítsék a falhoz úgy, hogy egyezzen a páraelszívó helyzetével az **A** csavarok révén és a 10.1.ábrán jelzett távolság betartásával.

Csatlakoztassák az **L** rugalmas cső révén az **F** karimát az égéslevegő elvezető részéhez (12A.ábra).

Helyezzék be a felső díszítő kéményt az alsó díszítő kéménybe és támasszák a páraelszívó törzsére (12B.ábra).

Húzzák a felső díszítő kéményt a kengyel eléréséig és rögzítsék a **B** csavarokkal (10.2.ábra).

Az elszívóval szerelt kürtő szűrőre való átalakításához a vizszinteladótól meg kell rendelni az aktív szentes szűrőket, és a szerelési útmutató szerint be kell azokat szerelni.

##### • Szűrőverzió:

##### **Figyelem!**

A szűrőket tartozékként meg kell rendelni az vizszinteladónál.

- Ahhoz, hogy a **SZÍVÓ** páraelszívót **SZÜRŐ** páraelszívóvá lehessen változtatni, meg kell rendelni a vizszinteladónál a szén-szűrőket.

Kétféle készlettel állunk az Önök rendelkezésére, ez egyik fel nem újítható szűrővel rendelkezik (13.ábra), a másik, felújítható szűrővel (moshatók) (14.ábra).

Az egyéb típusú szén-szűrőktől eltérően, ez a felújítható szűrő mosható és körülbelül 12-15 alkalommal újrafelhasználható. A páraelszívó szabályos használati körülményei között ezt a szűrőt minden 2-3 hónapban meg kell mosni.

A szűrő mosható mosogatógépben a legmagasabb



megengedett hőmérsékleten akármilyen, a mosogatógépben használható tisztítószerrel.

Mosás után újra kell aktiválni a felújítható szűrőt úgy, hogy a sütőben szárítják 100° fokon 15-20 percig.

A szűrő megőrzi a szagelvonó képességét három évig, ezután ki kell cserélni.

-Amennyiben a csomag tartalmaz egy, a 14.ábra látható kengyelhez hasonló kengyelt, ki kell csavarni a páraelszívó becsavart 4 db. csavart és fel kell szerelni a kengyelt az előzetesen kivett 4 db. csavarral.

-Az felújítható, **Y** szénzsűrők kicseréléséhez vegyék ki a kengyelt a helyéről kifele húzva (14.ábra).

-Amennyiben az Önök tulajdonában levő termék nincs ellátva kengyellel, azt jelenti, hogy a készüléhez tartozó, aktív szénzsűrő nem felújítható (13.ábra). Ezeket a páraelszívóban jelenlevő szivóegységre kell feltenni középre téve és elfordítva 90 fokban útközéig (13.ábra).

## HASZNÁLAT ÉS KARBANTARTÁS

• Mielőtt bármilyen étel főzésébe belekezdene, tanácsos bekapcsolni a készüléket. A szennyezett levegő teljes kiszellőztetése érdekében a főzés végét követően ajánlatos még 15 percig bekapcsolva hagyni az elszívót. Az elszívó tökéletes működtetése megfelelő és folyamatos karbantartást igényel. Különös figyelmet kell fordítani a zsír- és az aktív szénzsűrőre.

• **A zsírszűrő** megköti a levegőben lévő zsírszemcséket, melyek a használattól függően idővel eltömítik a készüléket.

- Egy esetleges tűzveszély megelőzése érdekében legfeljebb kéthavonta mossa el kézzel a zsírszűrőket. Használjon semleges folyékony mosószereket, vagy mossa el a zsírszűrőt alacsony hőmérsékleten mosogatógépben rövid programon. Ne használjon súrolószert.

- Néhány mosás után a zsírszűrő színe megváltozhat. Ez nem szolgáltat alapot reklamációra, és a szűrő esetleges cseréjére.

• **Aktív szénzsűrők** feladata, hogy megtisztítsák a környezetbe visszaáramoltatott levegőt, és csökkentse a főzés során keletkező kellemetlen szagokat.

- A nem regenerálható aktív szénzsűrőket legfeljebb 4 havonta cserélni kell. Az aktív szén telítődését befolyásoló tényezők: a készülék használatának időtartama, főzési szokások és a zsírszűrő tisztításának gyakorisága.

- A regenerálható aktív szénzsűrőket mossa kézzel, semleges mosószerezrel, vagy mosogatógépben max. 65 °C-on (hagyja lemeenni a teljes programot, és a mosogatógépbe ne rakjon más edényt). Ne használjon súrolószert. Távolítsa el a felesleges vizet anélkül, hogy a szűrőt megsértené, távolítsa el a műanyag részeket, és zsírítsa ki a szűrőt a sütőben (min. 15 perc legfeljebb 100 °C-on). A regenerálható aktív szénzsűrők megfelelő működése érdekében a szűrő tisztítását 2 havonta végezze el. A regenerálható szénzsűrőt legalább 3 évente, de a matrac sérülése esetén minden esetben cserélje ki.

• **A zsírszűrők és a regenerálható aktív szénzsűrők visszahelyezése előtt várja meg, hogy a szénzsűrők teljesen megszáradjanak.**

• Denaturált szesszel vagy **nem** súroló hatású folyékony mosószerezrel átitatott vizes ruhával tisztítsa meg gyakran az elszívó külsejét és belsejét.

• A világítóberendezést főzés közbeni használatra tervezték, és nem a konyha általános, huzamos idejű megvilágítására.

• A huzamos idejű használat lényegesen lecsökkenti az égők átlag élettartamát.

• Ha a készülék rendelkezik **szobai világítással** a ké-

szüléket használhatja a konyha huzamosabb ideig tartó megvilágítására.

• **Figyelem!** az elszívó és a szűrők tisztítására ill. a szűrők cseréjére vonatkozó utasítások be nem tartása megnöveli a tüzeset kockázatát. Ezért azt tanácsoljuk, kövesse az utasításokat.

• **A halogénizzók cseréje (15.1.ábra):**

**A B** halogénizzók cseréjéhez a megfelelő résekben keresztül megemelve vegye le a **C** üvegburát.

Cserélje ki az izzókat azonos típusúakra!

**Figyelem!** Ne fogja meg a lámpát csupasz kézzel!

• **A FÉNYJELZŐ lámpák kicserélése (15.2.ábra):**

Amennyiben a készülék **FÉNYJELZŐ** lámpával ellátott típusú, a lámpa kicseréléséhez villanyszerelőt kell hívni.

• **Vezérlés (16.ábra) Fényvezérlés:**

**A** = VILÁGÍTÁS

**B** = OFF

**C** = ELSŐ SEBESSÉG

**D** = MÁSODIK SEBESSÉG

**E** = HARMADIK SEBESSÉG

**F** = LEÁLLÍTÁS AUTOMATIKUS KÉSELETTETÉSE 15 perccel (\*)

Amennyiben az Önök által megvásárolt készülék el van látva **INTENZÍV** sebesség funkcióval, a **HARMADIK** sebességtől kiindulva és az **E** gombot 2 másodpercig lenyomva, ez a funkció aktiválva lesz 10 percig, majd visszaálltódik a beállított sebességre. Amikor a funkció aktiválva van a **FÉNYJELZŐ** villog. A beállított 10 perccel előtti megszakításához, ismét le kell nyomni a **E** gombot.

Ha 2 másodpercig nyomva tartja (kikapcsolt szagelszívó mellett) az **F** gombot, működésbe lép a **“clean air”** funkció. Ez a funkció óránként 10 percre bekapcsolja a motort egyes sebességen. Amint működésbe hozta a funkciót, 10 percre beindul a motor egyes sebességen. Ez alatt az idő alatt az **F** és a **C** gomb együtt villog. 10 perccel elteltével a motor kikapcsolódik, és az **F** gomb ledje folyamatosan fényel eg. 50 perccel később a motor ismételen be fog indulni az egyes sebességen és az **F** és **C** ledék ismételen villogni fognak 10 percig, stb. Lenyomva bármelyik gombot a fényekre vonatkozó gombokon kívül, a páraelszívó visszatér a rendes üzemmódba (pl. ha lenyomják a **D** gombot, érvénytelenítve lesz **“clean air”** (tisztá levegő) funkció és a motor 2-es sebességre lesz beállítva; a **B** gomb lenyomásával a funkció ki lesz kapcsolva).

(\*) A **“LEÁLLÍTÁS AUTOMATIKUS KÉSELETTETÉSE”** megakadályozza az elszívó kikapcsolását és a búra a funkció bekapcsolásakor folyamatban levő üzemi sebességen fog működni még 15 perccel.

• **A zsírszűrők/aktív szénzsűrők telítődése:**

-Amikor az **A 2 másodperces** időközönként villog, mossa el a zsírszűrőket.

-Amikor az **A** gomb **0,5 másodperces** időközönként villog a mossa el vagy cserélje ki az aktív szénzsűrőt (a szűrő típusától függően).

Miután visszahelyezte a tiszta szűrőt, az elektromos memória nullázásához nagyjából **öt másodpercre** tartsa lenyomva az **A** gombot, míg az villogni nem kezd!

• **Vezérlés (17.ábra):**

**A billentyű** = Be- illetve kikapcsolja a világítást.

**B billentyű** = Be- illetve kikapcsolja a páraelszívót. A készülék az 1. sebességnél kapcsol be. Ha az elszívó be van kapcsolva,

a kikapcsoláshoz 2 másodpercig tartsa lenyomva a billentyűt. Ha az elszívó az első sebességre van állítva, nem szükséges a kikapcsoláshoz lenyomva tartani a billentyűt. Csökkenti a motor sebességét.

**C kijelző** = A motor kiválasztott sebességét valamint az időrelé bekapcsolását jelzi.

**D billentyű** = Bekapcsolja az elszívót. Növeli a motor sebességét. Ha a billentyűt a 3. sebességben nyomja meg, 10 percre bekapcsol az intenzív funkció, ezután a készülék visszatér a funkció kiválasztását megelőző üzemi sebességbe. A funkció működése alatt a display villog.

**E billentyű** = A Timer, az aktiválás pillanatában, időzíti a funkciókat 15 percre, miután a funkciók kikapcsoltak. A Timer kikapcsolható az **E** billentyű megnyomásával. Amikor a Timer funkció aktív, a kijelzőn a tizedesponznak villognia kell. Ha az intenzív sebesség működésben van, a Timert nem lehet aktiválni.

Az **E** billentyű 2 másodpercig tartó megnyomásával, ha a készülék ki van kapcsolva, aktiválódik a **“clean air”** funkció. Ezzel bekapcsolódik a motor minden órában 10 percre első sebességre. Működés közben a kijelzőnek a perifériás részek forgó mozgását kell mutatnia. Ennek az időnek az elteltével a motor kikapcsol és a kijelzőn meg kell jelennie a nem villogó **“C”** betűnek egészen addig, amíg újabb 50 perc múlva a motor további 10 percre újraindul stb. A normál üzemmódba való visszaálláshoz nyomjon meg egy tetszés szerinti gombot, kivéve a világítás gombot. A funkció kikapcsolásához nyomja meg az **E** gombot.

**• A zsírszűrők/aktív szénzsűrők telítődése:**

-Amennyiben a **C** kijelzőn az aktuális sebességfokozat és az **F** betű villog felváltva (pl. 1 és **F**), a zsírszűrőket meg kell mosni.

-Amikor a **C** kijelzőn az aktuális sebesség fokozat és az **A** betű (pl.1 és **A**) felváltva villog, mossa el vagy cserélje ki az aktív szénzsűrőket (a szűrő típusától függően).

Miután visszahelyezte a tiszta szűrőt, az elektromos memória nullázásához nagyjából **öt másodpercre** tartsa lenyomva az **A** gombot, míg a **C** kijelzőn az **F**, vagy **A** jelzés villogása abba nem marad!

**• Vezérlés (18.ábra) Mechanikus:**

**A** = VILJGÍTJ

**B** = OFF

**C** = ELSŐ SEBESSÉG

**D** = MJSODIK SEBESSÉG

**E** = HARMADIK SEBESSÉG.

**A HASZNÁLATI UTASÍTÁS BE NEM TARTÁSÁBÓL EREDŐ KÁROKÉRT SEMMINEMŰ FELELŐSSÉGET NEM VÁLLALUNK.**



## GENERELT

Les denne bruksanvisningen nøye. Her gis viktig informasjon angående sikker installering, bruk og vedlikehold av apparatet. Ta vare på bruksanvisningen for fremtidige behov. Apparatet er laget for å kunne brukes i avtrekksversjon (suge ut luft utenifra - Fig.1B), filterversjon (resirkulere luft innvendig - Fig.1A) eller versjon med ekstern motor (Fig.1C).

## SIKKERHETS INFORMASJON

1. Vær forsiktig dersom en vifte med utvendig avløp benyttes i samme rom som en brenner eller en ovn som ikke går på elektrisk strøm, da viften trekker ut luften brennere eller ovnen trenger til forbrenningen. Det negative trykket i rommet må ikke overstige 4 Pa (4x10<sup>-5</sup> bar). For sikker bruk må man derfor sørge for tilstrekkelig ventilasjon av lokalet. Avtrekket skal utføres i henhold til gjeldende forskrifter.

### Før modellen kobles til det elektriske systemet:

- Kontroller typeskiltet (befinner seg inni apparatet) for å kontrollere at spenning og styrke er i samsvar med strømmettet og at forbindelseskontakten er egnet. Er du i tvil ta kontakt med en kvalifisert elektriker.

- Dersom strømledningen er ødelagt, må denne byttes ut med en kabel eller en spesialenhet som kan skaffes hos produsenten eller serviceavdelingen til produsenten.

- Koble anordningen til strømtilførselen ved hjelp av et støpsele med sikring 3A eller til de to ledningene til bifasen beskyttet av en sikring 3A.

### 2. Advarsel!

I noen situasjoner kan elektriske apparater utgjøre en fare.

A) Ikke kontrollere filtrens tilstand mens avtrekket er i bruk.

B) Ikke berøre lyspærene eller de nærliggende områdene under eller rett etter lengre bruk av belysningsanlegget.

C) Det er forbudt å steke mat med flammer under avtrekket.

D) Unngå åpen ild, siden den skader filtrene og kan medføre brann.

E) Hold frityrsteking av mat konstant under kontroll, for å unngå at oljen tar fyr.

F) Trekk ut støpselet fra stikkkontakten før du foretar vedlikeholdsarbeid.


G) Apparatet er ikke ment til brukes av barn eller ikke selvstendige personer uten overvåking.

H) Overvåk barna for å være sikre på at de ikke leker med ovnen.

I) Når avtrekket benyttes samtidig med apparater som brenner gass eller andre brennstoffer, må rommet være passende utluftet.

L) Hvis rengjøringsinngrepene ikke utføres i samsvar med anvisningene, er det fare for at det kan oppstå en brann.

Dette apparatet er merket i samsvar med det europeiske direktivet EC/96/2002, "Waste Electrical and Electronic Equipment" (WEEE). Ved å forsikre seg om at dette produktet blir avsatt på korrekt måte vil brukeren bidra til å hindre potensielt negative effekter for miljø og helse.

Symbolet  på produktet, eller i den medfølgende


dokumentasjonen viser til at dette produktet ikke må behandles som husholdningsavfall, men må leveres inn til spesialinnsamling for elektriske og elektroniske produkter for resirkulering. Man må kvitte seg med apparatet slik lokale regler for avsetning og resirkulering tilsier. For nærmere informasjon om behandling, gjenvinning og resirkulering av dette produktet må man kontakte det lokale avfallsselskap, offentlig kontor med ansvar for søppelinnsamling eller butikken der produktet ble kjøpt.


## INSTALLASJONSVEILEDNING

- **Montering og elektriske koblinger må utføres av kvalifisert personale.**
- **Bruk vernehansker under monteringsarbeidet.**

### • Elektrisk tilkobling

Merk: Verifiser datamerket som finnes på innsiden av apparatet:

- Hvis symbolet  vises på platen, betyr det at ingen jordforbindelse må gjøres på apparatet, følg derfor instruksjonene for isolasjonsklasse II.

- Hvis symbolet  IKKE vises på platen, følg instruksjonene for isolasjonsklasse I.

### Isolasjonsklasse II

Apparatet er fremstilt i klasse II, ingen leder skal derfor kobles til jord.

Støpselet må være lett tilgjengelig etter installasjon av apparatet.

Hvis apparatet er utstyrt med en strømledning uten støpsele, må en omnipolar bryter i passende størrelse med 3mm minimum åpning mellom kontaktene festes mellom apparatet og strømforsyningen i overensstemmelse med lasten og strømforskriftene.

Tilkobling til strømmettet utføres på følgende måte:

BRUN = L strømførende

BLÅ = N nulleleder.


### Isolasjonsklasse I


Dette apparatet tilhører klasse I, av elektriske apparater og må derfor koples til jordet kontakt.

Tilkoplingen til strømforsyningen må utføres på følgende måte:

BRUN = L linje

BLÅ = N nøytral

GUL/GRØNN =  jording.

Den nøytrale tråden må koples til pluggen med symbolet N mens den GRØNN/GULE, tråden må koples til pluggen nær jordings symbolet .

Ved elektrisk tilkopling må man forsikre seg om at kontakten er jordet. Etter montering av oppsugingsviften må man kontrollere at el-kontakten lett kan nås i den endelige posisjonen.

Ved direkte påkopling til strømmettet er det nødvendig å sette inn en flerpol-bryter mellom apparatet og strømmettet med en minimumsavstand på 3mm mellom kontaktene, og som er egnet til strømbehovet og i overensstemmelse med gjeldende regler.

- Avstanden fra støtteoverflaten hvor kokekarene står på kokeoverflaten og laveste punkt på kjøkkenheten må være minst **45 cm**. Dersom det benyttes en avtrekkskanal

bestående av to eller flere deler, skal den øvre delen tres utenpå den nedre. Koble ikke ventilatoravtrekkt til et rør der det passerer varmluft eller røyk fra apparater som ikke går på strøm. Ta ut det/de fetthemmende filteret/filterne (Fig.2.2 - Fig.3.2) før du begynner med monteringen. Dette gjør det lettere å manøvrere apparatet.

- I anledning montering av apparatet i avtrekksversjon, forbered på forhånd hullet for luftevakuering.

• Det anbefales å bruke et lufttømmerør med samme diameter som veggventilens munning. Bruk av et reduksjonsrør kan forringe produktets ytelse og øke støyen.

• Hvis apparatet er utstyrt med kuppel **M**, må denne fjernes. Hekt den av som vist i Fig.2.3 - Fig.3.3.

Før man starter montering av apparatet, ta ut antifettfilteret for en lettere håndtering av apparatet. Dette gjøres ved å trekke i håndtaket **B** slik som indikert i Fig.2.2 - Fig.3.2.

Dersom man har en modell med kantsugg, gjør følgende før denne operasjonen utføres:

- Åpne opp panel **C** som vist i Fig.2.1 - Fig.3.1.

- Dersom man har versjonen med tre paneler **A** ta de av festestiftene ved å trekke de utover (Fig.3.4) og deretter trekk de av sikkerhetsstiftene **N** (Fig.3.4) som er inni hetten. For å sette de på igjen utfør samme operasjon i motsatt rekkefølge.

**ADVARSEL! Ved demontering og montering må man forsikre seg om at man holder panelet godt fast slik at det ikke faller ned.**

#### • Veggmontering:

Merk av avtrekkskappens interne mål på veggen. Ta hensyn til målene som indikeres i Fig.4A og minimums avstand fra kokeplaten (Fig.4B).

- Plassere festeskinnen på veggen, se til at linjen tilsvarer den som er merket av på veggen, som beskrevet i forrige punkt.

- Merke av og bore festehullene (Fig.5).

- Fest de 2 toppskruene **K** og skruene (Fig.5), uten å trekke dem helt til.

- Fest apparatet til veggen (Fig.6A).

- Pass på at de 2 horisonteringsskruene **J** er godt festet (Fig.6B.1).

- Still apparatet horisontalt ved å gripe inn på de to horisonteringsskruene **J** (Fig.6B.1).

- Etter å ha utført reguleringen festes avtrekkskappen definitivt med skruene **K** (Fig.6C - Fig.6D).

- For å gjøre tilgangen til motorgruppen enklere under en eventuell assistanse, råder man til å fjerne støttene etter at apparatet er nivellert og festet for godt (Fig.6B.1).

- Under installasjon må man bruke skruer og ekspansjonshylser som er egnet til den typen vegg man har (armert betong, gipsplate, osv.).

- Dersom skruer og hylser følger med produktet, må man kontrollere at de er egnet til den typen vegg avtrekksviften skal festes på.

#### • Installasjon av modeller uten pyntehetter:

##### **Avtrekksversjon**

- Hekt av kuppel **M** og ta vekk gitter **E** (Fig.7).

- For strømledningen gjennom hullet på kuppel **M**, som indikert i Fig.9A.1.

- Ta kabelgjennomføring **H** og plasser den mellom strømledningen og hullet (Fig.9A.2).

- Kobl det fleksible røret **L** (ikke medlevert) til avtrekkskappen (Fig.9B).

- Plasser kuppel **M** tilbake på plass. Vær nøye med at den hekter seg på en perfekt måte til festestiftene **G** (Fig.9B).

##### • Filterversjon:

- Hekt av kuppel **M** og ta vekk gitter **E** (Fig.7).

- Før strømledningen gjennom hullet på kuppel **M**, som indikert i Fig.8.1.

- Ta kabelgjennomføring **H** og plasser den mellom strømledningen og hullet (Fig.8.2).

- Fest kuppel **M** og gitter **E**. Vær nøye med at kuppelen hektes på en perfekt måte til festestiftene **G** (Fig.8).

##### • Ekstraustyr:

Denne viftemodellen kan ha pyntehetter som ekstraustyr - disse får du ved forespørsel hos din forhandler.

Før man installerer pyntehettene må man ta vekk kuppel **M** og skru løs de 4 skruene **Q** som blokkerer festestiftene **G**, som vist i Fig.11.

##### • Installasjon av modeller med pyntehetter:

##### **Avtrekksversjon**

Pass på at strømledningen befinner seg innenfor pyntehettens utvendige mål.

Reguler bredden til den øvre pyntehettens støtte (Fig.10.2). Fest den deretter til veggen med skruene **A**. Sørg for at den er sentrert i forhold til den eksisterende avtrekkskappen og at avstanden som indikeres i Fig.10.1 overholdes.

Bruk et fleksibelt rør **L** og kobl flens **F** til luftavtrekkskrets hull (Fig.12A).

Før den øvre pyntehetten inn i den nedre pyntehetten og plasser dem oppå avtrekkskappen (Fig.12B).

Trekk den øvre pyntehetten ut så langt som støtten rekker og fest den med skruene **B** (Fig.10.2).

For å skifte fra avtrekksversjon til filterversjon, spør forhandleren din etter filtre i aktivt karbon og følge monteringsanvisningene.

##### • Filterversjon:

##### **Vær oppmerksom!**

Nye filter må bestilles gjennom egen forhandler som tilleggsutstyr.

- For å endre kappen fra **AVTREKKSVERSJON** til **FILTERVERSJON**, må man bestille kullfilter som ekstraustyr gjennom egen forhandler.

Det finnes to ulike typer utstyrssett, et med filter som ikke kan fornyes (Fig.13) og et med filter som kan fornyes (vaskbare) (Fig.14).

I motsetning til andre kullfilter, kan dette fornybare filteret vaskes og brukes på nytt opp til 12-15 ganger.

Under en normal anvendelse av viften, må dette filteret vaskes hver 2-3 måned.

Filteret kan vaskes i oppvaskemaskin ved høy temperatur og med et vanlig vaskemiddel for oppvaskemaskiner.

Etter at filteret er vasket, må det tørkes i ovnen ved 100° i 15-20 minutter, slik at det gjenaktiveres.

Filteret bevarer sin absorberende kapasitet i tre år. Etter dette må det byttes ut.

- Hvis støtten som indikeres i Fig.14 leveres sammen med filteret, må man skru av de 4 skruene som alt er installert inne i kappen og installere støtten. Bruk de samme skruene man fjernet for å feste støtten.

- For å bytte ut de fornybare kullfilterne **Y**, fjerner man støtten ved å trekke dem utover (Fig.14).

- Hvis produktet ikke leveres med støtte, betyr dette at det aktive kullfilteret ikke kan fornyes (Fig.13). Følgende filter må festes til sugeenheten inne i avtrekkskappen. Plasser dem midt i og vri rundt 90 grader til de klikkes på plass (Fig.13).

## BRUK OG VEDLIKEHOLD

• Vi anbefaler at kjøkkenviften slås på før du tilbereder mat. Vi anbefaler også at apparatet får stå på i 15 minutter etter at maten er ferdig, slik at all forurenset luft elimineres. Den effektive ytelsen til kjøkkenviften avhenger av stadig vedlikehold; antifettfilteret og det aktive karbonfilteret krever begge ekstra vedlikehold.

• **Antifettfilteret** brukes til å samle opp alle fettpartikler som finnes i lufta, og dermed er det utsatt for metning (tiden det tar for at filteret blir fullt avhenger av måten apparatet brukes på).

- For å unngå fare for brann, må man vaske fettfiltrene minst hver 2. måned for hånd med et mildt, ikke-slipende til kullfilteret vaskemiddel eller i oppvaskmaskin ved lave temperaturer og korte sykluser.

- Etter noen vask, kan fargeendringer forekomme. Dette gir ikke rett til erstatning.

• **Aktive kullfilter** brukes for å rense luften som sendes ut i rommet igjen og har som funksjon å dempe lukten som oppstår ved matlaging.

- Aktive kullfilter som ikke kan regenereres må byttes må byttes ut minst hver 4.måned. Metningsnivået til kullfilteret avhenger av brukshyppigheten til apparatet, typen matlaging som utføres og hvor regelmessig antifettfiltrene rengjøres.

- Aktive kullfilter som kan regenereres må vaskes for hånd med et mildt, ikke-slipende flytende vaskemiddel eller i oppvaskmaskin på maks 65°C (hele vaskesyklusen må utføres uten servise). Fjern overflødig vann uten å skade filteret, fjern delene i plast, og la matten tørke i ovnen i minst 15 minutter med en temperatur på maks 100 °C. For å beholde funksjonen til kullfilteret som kan regenereres må denne operasjonen gjentas hver 2. måned. Disse må byttes minst hvert 3. år eller når matten er skadet.

• **Før man setter på plass fettfiltrene og de aktive kullfilterne er det viktig at disse er helt tørre.**

• Rengjør kjøkkenviften ofte, både på innsiden og utsiden, ved bruk av en klut som er fuktet i denaturisert alkohol eller nøytralt flytende vaskemiddel **uten skureeffekt**.

• Belysningsanlegget er prosjektert for bruk under matlaging og ikke for lengre opplysning av rommet. Forlenget bruk av belysningen minsker varigheten av lyspærene betraktelig.

• Dersom apparatet er utstyrt med innvendig lys kan dette brukes over lenger tid for en generell belysning i rommet.

• **Advarsel:** Hvis man ignorerer advarslene som gjelder rengjøring av hetten og bytte og rengjøring av filter kan forårsake brann. Det anbefales derfor å følge disse instruksjonene.

• **Utskifting av halogene lyspærer (Fig.15.1):**

For å skifte ut de halogene lyspærene **B** ta av glasset **C** ved å trykke på hakkene.

Skifte ut med lyspærer av samme type.

**Advarsel:** ikke ta på lyspærene med bare hender.

• **Bytting av LED lamper (Fig.15.2):**

Hvis apparatversjonen er utstyrt med LED lamper, må disse byttes ut av en faglært tekniker.

• **Kontroller (Fig.16) Med lys** benyttes følgende symboler:

**A** = tast for BELYSNING

**B** = tast for OFF (AV)

**C** = tast for FØRSTE HASTIGHET

**D** = tast for ANNEN HASTIGHET

**E** = tast for TREDJE HASTIGHET

**F** = tast TIDSURE AUTOMATISK STOPP 15 minutter (\*)

Hvis deres apparat er utstyrt med funksjonen **INTENSIV** hastighet, aktiveres denne i 10 minutter fra TREDJE hastighet ved å holde nede tasten **E** i cirka 2 sekunder. Deretter går den tilbake til den forhåndsinnstilte hastigheten. LED blinker når funksjonen er aktivert. For å avbryte funksjonen før det har gått 10 minutter, trykker man en til gang på tast **E**.

Ved å trykke på tasten **F** i 2 sekunder (når viften er avslått), aktiveres funksjonen "**clean air**". Denne funksjonen gjør at motoren startes i 10 minutter hver time på laveste hastighet. Med en gang funksjonen aktiveres, starter motoren på laveste hastighet og varer i 10 minutter. I disse 10 minuttene blinker både tasten **F** og tasten **C**. Etter disse 10 minuttene stopper motoren og lyset til tasten **F** forblir påslått inntil motoren starter igjen etter 50 minutter. Da begynner lysene til **F** og **C** å blinke igjen i 10 minutter osv.

Ved å trykke på en hvilken som helst tast, bortsett fra den for lyset, går avtrekkskappen tilbake til normal funksjon (f. eks. hvis man trykker på tast **D** deaktiveres funksjonen "**clean air**" og motoren stilles inn på 2° hastighet; ved å trykke på tast **B** deaktiveres funksjonen).

(\*) Med funksjonen "**TIDSUR AUTOMATISK STOPP**" utsettes stans av ventilatoren, som vil fortsette å gå i 15 minutter på samme hastighet som da funksjonen ble aktivert.

• **Overmetning av aktivt-karbonfilteret/avfettingsfilteret:**

-Når tasten **A** blinker med en frekvens på **2 sek.**, er det nødvendig å gjøre rent avfettingsfiltrene.

-Når tasten **A** blinker med en frekvens på **0,5 sek.** må de aktive kullfiltrene rengjøres eller byttes ut avhengig av type filter.

Deretter settes det rene filteret tilbake på plass, og man stiller så tilbake minnet ved å trykke på tast **A** i ca **5 sekunder**, helt til det slutter å blinke.

• **Kontroller (Fig.17):**

**Tast A** = lys på/av.

**Tast B** = Ventilator på/av. Apparatet starter på 1. hastighet. Dersom ventilatoren er på, trykker man 2 sekund på knappen for å slå den av. Dersom ventilatoren befinner seg på 1. hastighet er det ikke nødvendig å holde knappen inne for å slå den av. Motorhastighet reduseres.

**Display C** = Indikerer den valgte motorhastigheten og aktivering av tidsur.

**Tast D** = Starter ventilatoren. Øker motorens hastighet. Ved å trykke på tasten fra 3. hastighet vil intensiv-funksjonen aktiveres i 10 minutter. Deretter vil apparatet gjenoppta den normale hastigheten det gikk på da funksjonen ble aktivert. Displayet vil blinke så lenge funksjonen er aktivert.

**Tast E** = Tidsbryteren bryter av funksjonene etter en bestemt tid, etter at denne er blitt aktivert vil funksjonene slå seg av etter 15 minutter. Tidsbryteren vil bli deaktivert ved å trykke en gang til på tast **E**. Når tidsbryterfunksjonen er aktiv vil man på skjermen se desimalpunktet som blinker. Dersom intensiv hastighet er på kan ikke tidsavbrudd aktiveres.

Ved å trykke på tast **E** i 2 sekunder med avslått apparat vil funksjonen "**clean air**" aktiveres. Denne funksjonen slår på motoren i 10 minutter hver time, ved laveste hastighet. Under bruk må skjermen vise rotasjonsbevegelsen til de ytre segmentene. Når denne tiden er gått, vil motoren slå seg av og man vil på skjermen kunne se bokstaven "**C**" lyse, helt til motoren starter opp igjen etter 50 minutter for å være i virksomhet 10 minutter til. For å gå tilbake til normal funksjon trykk på en hvilken som helst tast med unntak av lystastene. For å deaktivere funksjonen trykk på tasten **E**.

• **Overmetning av aktivt-karbonfilteret/avfettingsfilteret:**

-Når man skjermen **C** ser at bokstaven **F** blinker, med vekslende hastighet, (f.eks.1 og **F**) må fettfiltrene rengjøres.  
-Når display **C** blinker og viser vekselvis nivået for utsugningseffekt og bokstaven **A** (eks.1 og **A**) må de aktive kullfiltrene rengjøres eller byttes ut avhengig av type filter.  
Etter at det rene filteret er plassert riktig, skal det elektroniske minnet tilbakestilles ved å trykke på knappen **A** i ca. **5 sekunder**, inntil indikasjonen **F** eller **A** som vises på displayet **C** slutter å blinke.

• **Kontroller (Fig.18) mekaniske benyttes følgende symboler:**

**A** = tast for BELYSNING

**B** = tast for OFF (AV)

**C** = tast for FJØRSTE HASTIGHET

**D** = tast for ANNEN HASTIGHET

**E** = tast for TREDJE HASTIGHET.

**PRODUSENTEN FRASKRIVER SEG ETHVERT ANSVAR FOR SKADER SOM SKYLDES AT OVENNEVNTRE RETNINGSLINJER IKKE ER BLITT FULGT.**

## INFORMACJE OGÓLNE

Należy zapoznać się dokładnie z niniejszym tekstem, zawierającym wskazówki, dotyczące bezpieczeństwa przy instalacji, eksploatacji i konserwacji okapu kuchennego. Należy zachować niniejsze instrukcje także dla późniejszych konsultacji. Urządzenie zostało zaprojektowane w wersji zasysającej (odprowadzanie powietrza na zewnątrz – Rys.1B), filtrującej (recykulacja powietrza wewnątrz – Rys.1A) lub z silnikiem zewnętrznym (Rys.1C).

## UWAGI O BEZPIECZEŃSTWIE

1. Nie należy używać jednocześnie okapu kuchennego i paleniska lub kominka zależnych od powietrza w pomieszczeniu i niezasilanych energią elektryczną, ponieważ okap zużywa powietrze potrzebne do ich spalania. Ciśnienie ujemne w pomieszczeniu nie powinno przekraczać 4 Pa ( $4 \times 10^{-2}$  bar). Należy więc zadbać o prawidłową wentylację w pomieszczeniu, konieczną dla bezpiecznego funkcjonowania urządzenia. Przy odprowadzaniu dymu na zewnątrz, należy przestrzegać norm obowiązujących w waszym kraju.

### Przed podłączeniem modelu do sieci elektrycznej:

- Skontrolować tabliczkę znamionową (znajdującą się wewnątrz urządzenia) aby upewnić się, że napięcie i moc są odpowiednie dla danej sieci i, że gniazdo wtykowe połączenia jest odpowiednie. W przypadku wątpliwości zwrócić się do wykwalifikowanego elektryka.

- Jeśli przewód zasilania jest uszkodzony powinien zostać wymieniony na przewód lub specjalny zespół dostępny u producenta lub u jego obsługi technicznej.

- Podłączyć urządzenie do gniazda zasilającego poprzez wtyczkę z bezpiecznikiem topikowym 3A lub dwupolowym przewodem z bezpiecznikiem topikowym 3A.

### 2. Uwaga!

**W niektórych sytuacjach urządzenia elektryczne mogą stanowić zagrożenie.**

**A) Nie kontrolować stanu filtrów, gdy okap jest włączony.**

**B) Nie dotykać lamp lub stref przyległych podczas lub zaraz po przedłużonym używaniu oświetlenia.**

**C) Zabronione jest gotowanie potraw na ogniu pod okapem.**

**D) Należy unikać wolnego ognia, ponieważ uszkadza filtry i może spowodować pożar.**

**E) Należy stale kontrolować gotowane potrawy, aby uniknąć zapalenia wrzącego oleju.**

**F) Wyjąć wtyczkę z gniazdka przed przystąpieniem do konserwacji.**

**G) Urządzenie nie jest przeznaczone do używania przez dzieci lub niezdolne osoby bez nadzoru.**

**H) Należy pilnować dzieci, aby upewnić się, że nie bawią się urządzeniem.**


**I) Jeśli okap zostanie użyty jednocześnie z urządzeniami spalającymi gaz lub inne paliwa należy pamiętać o zagwarantowaniu dobrej wentylacji pomieszczenia.**

**L) Jeśli czynności związane z czyszczeniem nie zostaną wykonane zgodnie z instrukcjami, istnieje zagrożenie wywołania pożaru.**

Niniejsze urządzenie oznaczone jest zgodnie z dyrektywa

europejska 2002/96/EC, Waste Electrical and Electronic Equipment (WEEE).

Upewniwszy się, że niniejszy produkt zostanie utylizowany we właściwy sposób, użytkownik przyczynia się do ochrony przed potencjalnymi konsekwencjami negatywnymi dla środowiska i zdrowia.


Symbol  podany na produkcie lub na dokumentacji towarzyszącej mu wskazuje, że produktu ten nie powinien być traktowany jako odpad domowy, lecz powinien być przekazany w stosownym punkcie zbiórki w celu odzyskania urządzeń elektrycznych i elektronicznych. Pozbywać się go zgodnie z miejscowymi normami w zakresie utylizacji odpadów. Dla uzyskania dodatkowych informacji na temat traktowania, odzyskiwania i recyklingu tego produktu, należy skontaktować się z odpowiednim lokalnym biurem, służbą odpadów domowych lub ze sklepem, w którym produkt został zakupiony.


## INSTRUKCJE DO INSTALACJI

**• Czynności montażu i podłączenia elektrycznego powinny być dokonane przez wyspecjalizowany personel.**  
**• Przed przystąpieniem do czynności montażowych założyć rękawice ochronne.**

### • Podłączenie elektryczne

Uwaga! Skontrolować tabliczkę znamionową znajdującą się wewnątrz urządzenia:

- Jeśli na tabliczce znajduje się symbol , oznacza to, że urządzenie nie musi być uziemione, należy wykonać instrukcje dotyczące klasy izolacji II.

- Jeśli na tabliczce **NIE** znajduje się symbol , oznacza to, że należy wykonać instrukcje związane z klasą izolacji I.

### Klasa izolacji II

Urządzenie skonstruowane jest według klasy II, dlatego przewody nie muszą być uziemione.

Wtyczka musi być łatwo dostępna po instalacji urządzenia. W przypadku, gdy urządzenie wyposażone jest w kabel bez wtyczki, w celu jego podłączenia należy umieścić pomiędzy urządzeniem a siecią wyłącznik wielobiegowy z minimalnym otwarciem między stykami wynoszącym 3mm, przystosowany do obciążenia i zgodny z obowiązującymi normami.

Podłączenie do sieci elektrycznej powinno być przeprowadzone następująco:

BRAZOWY = L linia

BŁĘKITNY = N zerowy.


### Klasa izolacji I


Urządzenie to wykonane zostało w **klasie I**, dlatego powinno być podłączone do uziemienia.

Podłączenie do sieci elektrycznej powinno zostać wykonane w następujący sposób:

BRAZOWY = L linia

NIEBIESKI = N neutralny

ŻÓŁTO/ZIELONY =  uziemienie.

Przewód neutralny powinien zostać podłączony do zacisku oznaczonego symbolem **N**, natomiast przewód **ŻÓŁTO/ZIELONY** powinien zostać podłączony do zacisku w sąsiedztwie symbolu uziemienia .

Podczas czynności podłączania elektrycznego należy upewnić się, czy gniazdko wyposażone jest w bolec uziemienia.

Po zamontowaniu okapu odciągu należy upewnić się, czy gniazdko elektryczne jest łatwo dostępne. W przypadku bezpośredniego podłączenia do sieci elektrycznej koniecznym jest umieszczenie pomiędzy urządzeniem a siecią wyłącznika wielopolowego z minimalnym otwarciem między stykami wynoszącym 3mm, przystosowanego do obciążenia zgodnego z obowiązującymi normami.

- Minimalna odległość między płaszczyną nośną naczyń urządzenia kuchennego i najniższą częścią okapu kuchennego powinna wynosić przynajmniej **45 cm**. Przy zastosowaniu rury łączącej składającej się z dwóch lub kilku części, część górna rury musi znajdować się wewnątrz części dolnej. Nie należy łączyć przewodu wyciągowego okapu z przewodem, w którym krąży gorące powietrze lub z przewodem przeznaczonym do odprowadzania dymu z urządzeń zasilanych energią inną niż energia elektryczna. Przed przystąpieniem do montażu, należy wyłączyć filtr (Rys.2.2 - Rys.3.2) w celu łatwiejszego manipulowania urządzeniem.

- W przypadku montażu urządzenia w wersji ssącej przycięć otwór odprowadzenia powietrza.

- Sugeruje się, aby używać przewodu do odprowadzania powietrza o takiej samej średnicy jak otwór wylotowy. Używanie przewężenia może zmniejszyć sprawność produktu i zwiększyć hałas.

- Jeżeli urządzenie jest dostarczone z kopułą **M** należy ją odczepić jak wskazano na Rys.2.3 - Rys.3.3.

Przed przystąpieniem do czynności montażu w celu łatwiejszej obsługi urządzenia, wyjąć filtr przeciwtłuszczowy pociągając za uchwyt **B** jak wskazano na Rys. 2.2 - Rys. 3.2.

Jeżeli posiada się model z obwodowym panelem zasilania, przed wykonaniem takiej czynności należy:

- Otworzyć panel **C** jak wskazano na Rys.2.1 - Rys.3.1.

- Jeżeli posiada się model z trzema panelami **A** należy je odczepić od kołków mocujących pociągając na zewnątrz (Rys. 3.4) a następnie zsunąć z kołków zabezpieczających **N** (Rys. 3.4) znajdujących się wewnątrz okapu. W celu ponownego zamontowania postąpić w odwrotny sposób. **UWAGA!**

**Podczas takich czynności demontażu i montażu upewnić się, że panel jest dobrze zamocowany w celu uniknięcia przypadkowego upadku.**

#### **• Zamocowanie na ścianie:**

Zaznaczyć boczny brzeg okapu na murze biorąc pod uwagę wymiary wskazane na Rys.4A i minimalną odległość od płyty grzewczej (Rys.4B).

- Umieścić wzornik do ustalenia położenia na ścianie, tak aby jego linia pasowała do linii wyznaczonej przed chwilą.

- Zaznaczyć i wykonać otwory do mocowania (Rys.5).

- Zamocuj kołki rozporowe i wkręć 2 górne wkręty **K**, nie dokręcając ich (Rys.5).

- Umieścić urządzenie na murze (Rys.6A).

- Zwrócić uwagę, aby 2 śruby wyrównywania **J** były dokręcone (Rys.6B.1).

- Wyrównać urządzenie w pozycji poziomej za pomocą dwóch śrub wyrównywania **J** (Rys.6B.1).

- Po wykonaniu regulacji, zamocować ostatecznie okap za pomocą śrub **K** (Rys.6C - Rys.6D).

- W celu łatwiejszego dostępu do zespołu silnika w przypadku konieczności konserwacji, po wyrównaniu i ostatecznym zamocowaniu urządzenia, zalecamy usunięcie listwy (Rys.6B.1).

- Podczas montażu należy stosować wkręty i kołki rozporowe odpowiednie do rodzaju ściany (np. beton zbrojony, płyta gipsowo-kartonowa itd.).

- W przypadku wkrętów i kołków znajdujących się w zestawie, należy upewnić się, czy są one odpowiednie dla rodzaju ściany, na której ma być zamocowany okap.

#### **• Montaż modelu bez kominów ozdobnych:**

##### **Wersja z zasysaniem**

- Odczepić kopułę **M** i usunąć kratkę **E** (Rys.7).

- Przeciągnąć kabel zasilający przez otwór kopuły **M** wskazany na Rys.9A.1.

- Umieścić prowadnicę kabla **H** pomiędzy kablem zasilającym a otworem (Rys.9A.2).

- Podłączyć giętki przewód rurowy **L** (nie znajduje się w wyposażeniu) do okapu (Rys.9B).

- Ponownie umieścić kopułę **M** uważając, aby została idealnie zaczepiona do elementów mocujących **G** (Rys.9B).

##### **• Wersja filtrująca:**

- Odczepić kopułę **M** i usunąć kratkę **E** (Rys.7).

- Przeciągnąć kabel zasilający przez otwór kopuły **M** wskazany na Rys.8.1.

- Umieścić prowadnicę kabla **H** pomiędzy kablem zasilającym a otworem (Rys.8.2).

- Zamocować kopułę **M** i kratkę **E** uważając, aby została idealnie zaczepiona do elementów mocujących **G** (Rys.8).

##### **• Wersja optional:**

Ten model okapu może zawierać dodatkowo ozdobne komin, które można zamówić u sprzedawcy.

Przed zamontowaniem kominów ozdobnych usunąć kopułę **M** i odkręcić 4 śruby **Q**, które blokują elementy mocujące **G** jak wskazano na Rys.11.

##### **• Montaż modeli z kominami ozdobnymi:**

###### **Wersja zasysająca**

Przygotować zasilanie elektryczne w zakresie wymiarów kominia ozdobnego.

Wyregulować szerokość listwy wspierającej górny komin ozdobny (Rys.10.2).

Następnie zamocować ją na ścianie za pomocą śrub **A** oraz przestrzegając odległości wskazanej na Rys.10.1 tak, aby była wyrównana z waszym okapem.

Podłączyć, za pomocą giętkiego przewodu rurowego **L** kołnierz **F** do otworu usuwania powietrza (Rys.12A).

Wsunąć górny komin ozdobny do dolnego i oprzeć je na korpusie okapu (Rys.12B).

Zsunąć górny komin ozdobny do poziomu listwy i zamocować go za pomocą śrub **B** (Rys.10.2).

Aby przekształcić okap z wersji zasysającej w wersję filtrującą, należy zakupić filtry z węgla aktywnego i postępować według instrukcji montażu.

###### **• Wersja filtrująca:**

###### **Uwaga!**

Filtry należy zamówić u waszego sprzedawcy jako dodatkowe akcesoria.

- Aby zamienić okap z wersji **ZASYSAJĄCEJ** na wersję **FILTRUJĄCĄ**, filtry węglowe muszą być zamówione u waszego sprzedawcy jako dodatkowe akcesoria.

Posiadamy dwa różne rodzaje Zestawów, jeden z filtrami jednorazowymi (Rys.13) i drugi z filtrami wielokrotnego użytku (do mycia) (Rys.14).

W odróżnieniu od innych filtrów węglowych, filtr wielokrotnego użytku może być myty i używany 12-15 razy.

Przy normalnym użyciu okapu, taki filtr musi być czyszczony co 2-3 miesiące.

Filtr może być myty w zmywarce z maksymalną temperaturą, przy użyciu zwyczajnego środka myjącego przeznaczonego



do zmywarek.

Po umyciu, przed założeniem go, konieczne jest jego osuszenie w piekarniku w temperaturze 100°C przez 15-20 minut.

Filtr zachowa swoją skuteczność pochłaniania zapachów przez trzy lata; po upływie tego czasu konieczna jest jego wymiana.

-Jeżeli w opakowaniu znajdziecie listwę jak na Rys.14 należy odkręcić 4 śruby dokręcone wewnątrz okapu i zamontować listwę za pomocą 4 wcześniej zdjętych śrub.

-W celu wymiany filtrów węglowych wielokrotnego użytku **Y**, usunąć listwę pociągając ją w kierunku zewnętrznym (Rys.14).

-Jeżeli wasz produkt nie jest wyposażony w listwę oznacza to, że filtr węglowy jest jednorazowy (Rys.13). Muszą być one umieszczone w zespole zasysającym znajdującym się wewnątrz okapu, wyśrodkowane względem niego i należy je przekręcić na 90 stopni, aż do ich zablokowania (Rys.13).

## EKSPLOATACJA I KONSERWACJA

• Zaleca się uruchomienie urządzenia przed przystąpieniem do gotowania jakiegokolwiek potrawy. Zaleca się, aby nie wyłączać urządzenia przez około 15 minut po zakończeniu gotowania potraw w celu całkowitego usunięcia nieświeżego powietrza. Prawidłowe działanie okapu uwarunkowane jest prawidłową i regularną konserwacją; szczególną uwagę należy zwrócić na filtr przeciwtluszczowy oraz na filtr z węglem aktywnym.

• **Filtr przeciwtluszczowy** ma za zadanie zatrzymywanie cząsteczek tłuszczu zawieszonych w powietrzu, dlatego narażony jest na zatkanie, które może nastąpić w różnym czasie, zależnie od eksploatacji urządzenia.

- Aby zapobiec ewentualnemu ryzyku pożaru, maksymalnie co 2 miesiące należy ręcznie myć filtry przeciwtluszczowe, używając płynnych neutralnych nie ściernych środków czyszczących lub też myć je w zmywarce przy niskiej temperaturze i krótkich cyklach mycia.

- Po kilku umyciach, ich kolor może się zmienić. Nie stanowi to powodu do reklamacji w celu ewentualnej wymiany.

• **Filtry z węglem** aktywnym służą do oczyszczania powietrza, które jest wypuszczone do otoczenia oraz zatrzymują nieprzyjemne zapachy powstające podczas gotowania.

- Filtry z węglem aktywnym nieregenerowane muszą być wymieniane maksymalnie co 4 miesiące. Nasycenie węgla aktywnego zależy od przedłużonego lub nie użycia urządzenia, rodzaju kuchenki oraz częstotliwości czyszczenia filtra przeciwtluszczowego.

- Filtry z węglem aktywnym regenerowane muszą być myte ręcznie, neutralnymi nie ściernymi środkami myjącymi lub w zmywarce w maksymalnej temperaturze 65°C (cykl mycia musi być całkowity bez naczyni). Usunąć nadmiar wody uważając aby nie uszkodzić filtra, zdjęć plastikowe części i wysuszyć poduszkę w piekarniku przez około 15 minut w maksymalnej temperaturze 100°C. Aby utrzymać skuteczność filtra węglowego regenerowanego, taka czynność musi być powtarzana co 2 miesiące. Muszą być one wymieniane maksymalnie co 3 lata lub, gdy poduszka zostanie uszkodzona.

• **Przed ponownym zamontowaniem filtrów przeciwtluszczowych i filtrów z węglem aktywnym regenerowanych muszą być one dokładnie wysuszone.**

• Często myć okap, zarówno wewnątrz, jak i na zewnątrz, przy pomocy szmatki zwilżonej denaturatem lub neutralnym środkiem myjącym w płynie, **nie** ściernym.

• Instalacja oświetlenia zaprojektowana jest do użytkowania podczas gotowania, a nie do długotrwałego użycia jako

oświetlenie główne pomieszczenia. Przedłużone użytkowanie oświetlenia zmniejsza znacząco średnią trwałość żarówek.

• Jeżeli urządzenie jest wyposażone w **oświetlenie otoczenia**, może być ono używane przez dłuższe okresy jako ogólne oświetlenie.

• **Uwaga:** nieprzestrzeganie wskázówek dotyczących czyszczenia okapu i wymiany oraz czyszczenia filtrów powoduje ryzyko pożaru. Dlatego też, zaleca się przestrzeganie podanych instrukcji.

• **Wymiana lamp halogenowych (Rys.15.1):**

Aby wymienić lampy halogenowe **B** ściągnać szkiełko **C** wykorzystując do tego odpowiednie otwory.

Wymienić lampy na takie same.

**Uwaga:** nie dotykać lampy gołą ręką.

• **Wymiana lampek LED (Rys.15.2):**

Jeżeli wersja urządzenia posiada lampki **LED**, w celu ich wymiany konieczna jest interwencja wyspecjalizowanego technika.

• **Układ sterowania: (Rys.16)** Stery świetlne znaczenie symboli jest następujące.

**A** = przycisk **OŚWIETLENIE**

**B** = przycisk **WŁĄCZENIE**

**C** = przycisk **PIERWSZA PRĘDKOŚĆ**

**D** = przycisk **DRUGA PRĘDKOŚĆ**

**E** = przycisk **TRZECIA PRĘDKOŚĆ**

**F** = przycisk **REGULATOR CZASOWY AUTOMATYCZNEGO WYŁĄCZENIA** po 15 minutach (\*)

Jeżeli wasze urządzenie jest wyposażone w funkcję prędkości **INTENSYWNA**, poczynając od **TRZECIEJ** prędkości i przytrzymując wciśnięty przez 2 sekundy klawisz **E** zostanie ona uaktywniona na 10 minut, a następnie powróci do wcześniejszej prędkości. Gdy funkcja jest aktywna **LED** miga. Aby przerwać ją przed upływem 10 minut, ponownie nacisnąć na przycisk **E**.

Przyciskając przycisk **F** przez 2 sekundy (przy wyłączonym okapie) włącza się funkcja **"clean air"**. Ta funkcja powoduje włączenie silnika przez 10 minut co godzinę na pierwszej prędkości. Jak tylko ta funkcja jest włączona silnik włącza się na 1° prędkość na okres 10 minut podczas tych minut powinny migać jednocześnie przycisk **F** i przycisk **C**. Po upływie tego czasu silnik się wyłącza i **LED** przycisku **F** świeci się stałym światłem aż do momentu gdy po upływie następnych 50 minut ponownie włącza się silnik na pierwszą prędkość i **LED F** i **C** ponownie migają przez 10 minut i dalej w ten sam sposób. Naciskając na jakikolwiek klawisz z wyjątkiem świetelek, okap powróci do normalnego funkcjonowania (np. jeżeli zostanie wciśnięty klawisz **D** zostanie dezaktywowana funkcja **"clean air"** i silnik będzie ustawiony na 2ej prędkości; naciskając na klawisz **B** funkcja zostanie dezaktywowana).

(\*) Funkcja **"REGULATOR CZASOWY WYŁĄCZENIA AUTOMATYCZNEGO"** opóźni wyłączenie okapu, który będzie funkcjonował przez 15 minut wg regulacji prędkości, jaką posiadał w momencie włączenia takiej funkcji.

• **Nasycenie filtrów przeciwtluszczowych/z węgla aktywnego:**

-Kiedy przycisk **A** pulsuje z częstotliwością **2 sec**. Filtry **przeciwtluszczowe** wymagają przemycia.

-Gdy przycisk **A** miga z częstotliwością **0,5 s** oznacza to, że filtry z węglem aktywnym muszą być wymyte lub wymienione, w zależności od ich rodzaju.

Po ponownym założeniu czystego filtra należy zresetować pamięć elektroniczną wduśzając przycisk **A** przez około **5 sec.** aż ustanie pulsowanie.

• **Wyświetlacz (Rys.17):**

**Przycisk A** = Przycisk włączający/wyłączający oświetlenie.

**Przycisk B** = Przycisk włączający/wyłączający urządzenie. Okap włączy się przy 1 prędkości. Przy uruchomieniu urządzeniem, naciskając przycisk przez 2 sekundy, nastąpi wyłączenie okapu. Jeżeli urządzenie pracuje przy pierwszej prędkości, aby wyłączyć okap, nie jest konieczne naciśnięcie przycisku. Silnik będzie pracował przy zmniejszonych obrotach.

**Wyświetlacz C** = Wskazuje wybraną prędkość i informuje, czy został włączony licznik czasu.

**Przycisk D** = Uruchamia okap. Naciskając taki przycisk nastąpi wzrost prędkości. Naciskając przycisk urządzenie z trzeciej prędkości przejdzie w intensywny tryb pracy, który będzie trwał ok. 10 sekund, po czym wróci do funkcjonowania przy wybranej poprzednio prędkości. W czasie uruchomienia takiej funkcji, wyświetlacz zapali się światłem migającym.

**Przycisk E** = II Timer reguluje czasowo funkcje, w chwili włączenia, przez 15 minut po ich wyłączeniu. II Timer wyłącza się ponownym wciśnięciem przycisku **E**. Kiedy funkcja Timer jest włączona to na wyświetlaczu dziesiętna pozycja ma migać. Jeżeli włączona jest prędkość intensywna wówczas Timer nie można włączyć.

Wciśnięciem przycisku **E** na 2 sekundy, gdy urządzenie jest wyłączone, włącza się funkcję "clean air". Włączy się wówczas silnik co godzinę na 10 minut przy pierwszej prędkości. Podczas funkcjonowania obrotowy ruch peryferyjnych segmentów. Po tym czasie silnik wyłączy się i na wyświetlaczu ukaże się litera "C" świecąca się w sposób ciągły przez następne 50 minut, po czasie którym silnik włączy się i tak dalej. Aby powrócić do normalnego funkcjonowania nacisnąć jakikolwiek przycisk z wyjątkiem przycisku oświetlenia. Aby dezaktywować funkcję, nacisnąć na przycisk **E**.

• **Nasylenie filtrów przeciwłuszczowych/z węgla aktywnego:**

- Kiedy wyświetlacz **C** miga zmieniając prędkość pracy na literę **F** (es.1 e **F**) filtry przeciwłuszczowe mają być umyte.

- Gdy wyświetlacz **C** miga zmieniając prędkość pracy z literą **A** (np.: 1 i **A**) filtry z węglem aktywnym muszą być wymienione lub umyte lub wymienione w zależności od ich rodzaju.

Po umieszczeniu czystego filtra należy wyzerować elektroniczną pamięć naciśnięciem przycisku **A** na około **5 sekund** aż do momentu, kiedy sygnalizator świetlny **F** lub **A** na wyświetlaczu **C** przestanie migać.

• **Układ sterowania Stery mechaniczne (Rys.18) znaczenie symboli jest następujące:**

**A** = przycisk OŚWIETLENIE

**B** = przycisk WŁĄCZENIE

**C** = przycisk PIERWSZA PRĘDKOŚĆ

**D** = przycisk DRUGA PRĘDKOŚĆ

**E** = przycisk TRZECIA PRĘDKOŚĆ.

**DOSTAWCA UCHYLA SIĘ OD WSZELKIEJ ODPOWIEDZIALNOŚCI ZA EWENTUALNE USTERKI, SPOWODOWANE NIEPRZESTRZEGANIEM WYŻEJ WYMIENIONYCH WSKAZÓWEK.**



## DESCRIERE GENERALĂ

Itiți cu atenție instrucțiunile de siguranță, utilizare și întreținere cuprinse în acest manual. Păstrați cu grijă manualul de utilizare; pe viitor vă poate folosi. Acest aparat a fost proiectat în trei variante: aspirantă (cu evacuarea aerului la exterior, vezi Fig.1B), filtrantă (recirculația aerului în interior, vezi Fig.1A) sau cu un motor extern (vezi Fig.1C).

## INSTRUCȚIUNI DE SIGURANȚĂ

1. Dacă dispuneți de o centrală termică sau de o altă sursă de încălzire care folosește, pentru combustie, aerul din încăpere, aveți grijă să nu funcționeze împreună cu hota, deoarece aceasta absoarbe aerul. Presiunea negativă din încăpere nu trebuie să depășească 4 pascali (4 x 10-5 bari). Pentru a garanta o funcționare corectă, asigurați-vă că ventilația din încăpere este adecvată. În ceea ce privește evacuarea aerului în mediul înconjurător, respectați normele naționale în vigoare.

### Înainte de conectarea modelului la rețeaua electrică:

- Controlați plăcuța cu instrucțiunile (pusă în interiorul aparatului) pentru a vă asigura că tensiunea și energia să fie corespunzătoare acelei de la rețea și priza să fie potrivită. Dacă aveți nelămuriri întrebați pe un electricist calificat.

- În cazul în care cablul este deteriorat, acesta trebuie să fie înlocuit cu un cablu (sau cu un ansamblu) special; pentru aceasta, apălați la fabricant sau la serviciul de asistență tehnică.

- Recordați hota la rețeaua de alimentare, printr-un ștecăr cu siguranță fuzibilă de 3A sau la cele două fire ale rețelei bifazice protejate de o siguranță fuzibilă de 3A.

### 2. Atenție!

**În anumite situații, aparatele electrice pot reprezenta un pericol.**

**A) Nu controlați starea filtrelor în timp ce hota este în funcțiune.**

**B) Nu atingeți becurile sau zonele apropiate în timpul sau imediat după folosirea îndelungată a instalației de iluminat.**

**C) Nu frigeți alimentele direct pe flacără, dacă hota este în funcțiune.**

**D) Evitați flăcările deschise, deoarece deteriorează filtrele și pot provoca incendii.**

**E) Dacă prăjiți în ulei, nu vă îndepărtați de aragaz, deoarece uleiul fierbinte poate lua foc.**

**F) Deconectați ștecherul de la priza de curent înainte de a efectua întreținerea.**

**G) Aparatul nu este destinat folosirii de către copii sau de către persoane incapabile fără supraveghere.**


**H) Supravegheați copiii, pentru a fi siguri că nu se joacă cu aparatul.**

**I) Când hota este folosită în același timp cu alte aparate care ard gaze sau alte combustibile, încăperea trebuie să fie ventilată corespunzător.**

**L) Dacă operațiunile de curățare nu sunt efectuate cu respectarea instrucțiunilor, există riscul producerii unui incendiu.**

Acest aparat este contrasemnat în conformitate cu Directiva Europeană 2002/96/EC, referitoare la "Waste Electrical and Electronic Equipment (WEEE)".

Asigurându-vă că acest produs este scos din uz în mod corect, dv ca utilizator contribuiți la prevenirea puternicelor consecințe negative asupra mediului înconjurător și asupra sănătății.


Simbolul  aplicat pe produs sau pe documentația de însoțire a acestuia vă arată că aparatul trebuie să fie tratat separat de deșeurile casnice; în acest scop el va trebui să fie încredințat unui centru de colectare adecvat, destinat reciclării aparatelor electrice și electronice. Scoaterea din uz a acestor produse este deci supusă normelor locale în materie de tratare a deșeurilor. Pentru informații ulterioare cu privire la tratarea, recuperarea sau reciclarea acestui produs, apălați la biroul local competent, la serviciul de colectare a deșeurilor casnice sau la magazinul de unde ați achiziționat aparatul.


## INSTRUCȚIUNI DE MONTAJ

**• Toate operațiunile de montaj și conectare electrică trebuie să fie efectuate de personal specializat.**  
**• Utilizați mănuși de protecție înainte de a începe operațiunile de montare.**

### • Conexiunea electrică:

Notă: Controlați plăcuța de date pusă în interiorul aparatului:

- Dacă pe plăcuță apare simbolul  înseamnă că aparatul nu trebuie legat la pământ, executați deci instrucțiunile privind clasa de izolație II.

- Dacă pe plăcuță nu apare simbolul  executați instrucțiunile privind clasa de izolație I.

### Clasa de izolație II

Hota intră în clasa de construcție II; de aceea, nu este necesar să o conectați la împământare.

Ștecărul trebuie să fie ușor accesibil după instalarea aparatului.

În cazul în care aparatul este prevăzut cu cablu fără ștecăr, pentru a-l conecta la rețeaua electrică este necesară interpunerea între aparat și rețea a unui întrerupător omnipolar cu deschiderea minimă între contacte de 3mm, dimensionat la sarcină și conform normelor în vigoare.

Conectarea la rețeaua electrică trebuie să respecte următoarele indicații:

MARO = L fază

BLEUMARIN = N neutru.


### Clasa de izolație I


Acest aparat intră în clasa de construcție I; de aceea, nu este necesar să îl conectați la împământare.

Conectarea la rețeaua electrică trebuie să respecte următoarele indicații:

MARO = L fază

BLEUMARIN = N neutru

GALBEN/VERZUI =  împământare

Cablul de nul trebuie să fie conectat la borna cu simbolul N în timp ce cel GALBEN/VERZUI, trebuie să fie conectat la borna de lângă simbolul de împământare (masa) .

La efectuarea legăturilor electrice, asigurați-vă ca priza de curent este dotată cu firul de împământare.

Dupa montarea hotei de aspirare, asigurați-vă ca priza este ușor accesibilă. Dacă veți efectua conectarea direct la rețeaua electrică, este necesar să echipați cablul cu un întrerupător omnipolar cu deschiderea contactelor de 3mm, capabil

sa suporte sarcina electrica indicata, conform normelor in vigoare.

- Distanța minimă între suprafața, suportului vaselor de gătit de pe aragaz și partea cea mai joasă a hotei de la bucătărie, trebuie să fie de cel puțin **45 cm**. Dacă veți folosi un tub de evacuare compus din două segmente, segmentul superior trebuie să fie în exteriorul segmentului inferior. Nu conectați tubul de evacuare a aburilor la o conductă de aer cald sau care servește și la evacuarea aburilor care provin de la alte instalații de încălzire, mai ales dacă alimentarea acestora nu este electrică. Înainte de a începe montajul, îndepărtați filtrul/filtrele (vezi Fig.2.2 - Fig.3.2), pentru a mânuși mai ușor hota.
- În caz că aparatul este montat în versiune aspirantă predispușe gaura de evacuare al aerului.

- Se recomandă folosirea unui tub de evacuare a aerului care să aibă același diametru ca și gura de evacuare a aerului. Utilizarea unei reducții poate diminua performanțele aparatului și mări nivelul de zgomot”.

- Dacă aparatul este furnizat cu calota **M** îndepărtați-o așa cum este indicat în Fig.2.3 - Fig.3.3.

Înainte de a începe operațiile de montare, pentru a manevra cu ușurință aparatul, scoateți filtrul antigrăsime trăgând de mânerul **B** așa cum este indicat în Fig.2.2 - Fig.3.2.

Dacă sunteți în posesia unui model cu panou de aspirație perimetrală, înainte de a efectua această operațiune, realizați acțiunile prezentate mai jos:

- Deschideți panoul **C** cum se indică în Fig.2.1 - Fig.3.1.
- Dacă sunteți în posesia versiunii cu trei panouri **A** desfaceți-le de pe știfturile de fixare trăgând spre exterior (Fig.3.4) iar apoi scoateți-le de pe suporturile de siguranță **N** (Fig.3.4) aflate în interiorul hotei. Pentru a le așeza la loc efectuați aceleași operații în ordine inversă. **ATENȚIE! În timpul operațiilor de montare și demontare asigurați-vă ca fixarea panoului să fie bine realizată pentru a evita căderea accidentală.**

#### • **Fixare pe perete:**

Trasați latura inferioară a hotei și perete ținând cont de măsurile indicate în Fig.4A și de distanța minimă de la planul de lucru (Fig.4B).

- Poziționați mai întâi șablonul de fixare pe perete, fiind atenți ca linia acestuia să coincidă cu linia trasată pe perete (a se citi paragraful anterior).

- Semnați poziția găurilor și executați-le (Fig.5).

- Fixați cele 2 șuruburi superioare **K** fără a le strânge definitiv și introduceți diblurile cu expandare (Fig.5).

- Poziționați aparatul la perete (Fig.6A).

- Atenți ca cele 2 șuruburi de nivelare **J** să fie strânse (Fig.6B.1).

- Aliniați aparatul în poziție orizontală acționând asupra celor două șuruburi de nivelare **J** (Fig.6B.1).

- După ce ați terminat reglarea fixați hota definitiv cu șuruburile **K** (Fig.6C - Fig.6D).

- Pentru un acces ușor la grupul motor în caz de asistență, după nivelarea și fixarea definitivă a aparatului, recomandăm îndepărtarea bridelor (Fig.6B.1).

- În funcție de tipul peretelui (de ex. beton armat, ghips carton) folosiți șuruburile sau diblurile adecvate.

- Dacă hota a fost livrată cu șuruburile sau diblurile respective, controlați dacă acestea se potrivesc, într-adevăr, cu tipul de perete pe care o veți monta.

#### • **Instalare pentru modele fără cămine decorative:**

##### **Versiune cu aspirare**

- Desprindeți calota **M** și scoateți grilajul **E** (Fig.7).

- Treceți cablul de alimentare prin orificiul calotei **M** indicat în Fig.9A.1.

- Luați garnitura de etanșare cablu **H** și poziționați-o între cablul de alimentare și orificiul (Fig.9A.2).

- Conectați tubul flexibil **L** (nefurnizat din dotare) la hotă (Fig.9B).

- Repoziționați calota **M** fiind atenți să se prindă perfect de tije de fixare **G** (Fig.9B).

##### • **Versiune cu filtrare:**

- Desprindeți calota **M** și scoateți grilajul **E** (Fig.7).

- Treceți cablul de alimentare prin orificiul calotei **M** indicat în Fig.8.1.

- Luați garnitura de etanșare cablu **H** și poziționați-o între cablul de alimentare și orificiul (Fig.8.2).

- Fixați calota **M** și grilajul **E** fiind atenți să se prindă perfect de tije de fixare **G** (Fig.8).

##### • **Opțiuni:**

Acest model de hotă poate avea ca piese opționale și coșuri de fum decorative; pentru acestea, adresați-vă vânzătorului.

Înainte de a instala căminele decorative trebuie să îndepărtați calota **M** și să deșurubați cele 4 șuruburi **Q** ce blochează tije de fixare **G** cum se indică în Fig.11.

##### • **Instalare pentru modele cu cămine decorative:**

###### **Versiune cu aspirare**

Prevedeți alimentarea electrică în cadrul dimensiunilor căminului decorativ.

Reglați lățimea bridei de suport a căminului decorativ superior (Fig.10.2).

Apoi fixați-o la perete pentru a fi pe aceeași axă cu hota dvs. cu șuruburile **A** și respectând distanța indicată în Fig.10.1.

Conectați, printr-un tub flexibil **L**, flanșa **F** la orificiul de evacuare aer (Fig.12A).

Introduceți căminul decorativ superior în interiorul căminului decorativ inferior și așezați-le deasupra corpului hotei (Fig.12B).

Desprindeți căminul decorativ superior până la bridă și fixați-l cu șuruburile **B** (Fig.10.2).

Pentru a schimba hota de la varianta aspirantă la varianta filtrantă, apelați la vânzător pentru furnizarea filtrelor de carbon activ; pentru montajul acestora, urmăriți instrucțiunile.

##### • **Versiune cu filtrare:**

###### **Atenție!**

Filtrele trebuie comandate la dealerul dvs. drept accesoriu.

- Pentru a transforma hota din versiune **CU ASPIRARE** în versiune **CU FILTRARE** filtrele cu carbon trebuie comandate la dealerul dvs. drept accesoriu.

Avem disponibile două tipuri diferite de Kituri, unul cu filtre ne regenerabile (Fig.13) și celălalt cu filtre regenerabile (lavabile) (Fig.14).

Spre deosebire de celelalte filtre cu carbon, acest filtru este regenerabil putând fi spălat și reutilizat încă de 12-15 ori.

Cu o utilizare normală a hotei, acest filtru trebuie curățat la interval de 2-3 luni.

Filtrul poate fi spălat în mașina de spălat vase la temperatura maximă folosind un detergent obișnuit pentru mașina de spălat.

După spălare, pentru a reactiva filtrul regenerabil este necesar să-l uscați în cuptor la 100° timp de 15-20 minute.

Filtrul își va menține capacitatea de absorbire a mirosului timp de trei ani, după care va trebui înlocuit.

- Dacă în ambalaj găsiți o bridă precum cea indicată în Fig.14 trebuie să deșurubați cele 4 șuruburi deja instalate în interiorul

hotei și să instalați brida cu cele 4 șuruburi mai înainte scoase.

- Pentru a înlocui filtrele cu carbon regenerabile **Y**, îndepărtați bridăle din locaș, trăgându-le spre exterior (Fig.14).

- Dacă produsul vostru nu este prevăzut cu bridă, înseamnă că filtrul cu carbon activ nu este regenerabil (Fig.13). Acestea trebuie aplicate la grupul de aspirare așezat în interiorul hotei centrându-le în jurul acestuia și rotindu-le cu 90 grade până la auzul unui click de oprire (Fig.13).

## UTILIZARE ȘI ÎNTREȚINERE

• Se recomandă să porniți hota înainte de a începe coacerea alimentelor. Lăsați hota în funcțiune 15 minute după stingerea aragazului, pentru a elimina complet mirosul de mâncare. Funcționarea corectă a hotei depinde de întreținerea ei în mod periodic, conform indicațiilor; o atenție mărită trebuie acordată filtrului degresant și filtrului de carbon activ.

• **Filtrul degresant** capturează suspensiile de grăsime din aer și de aceea se poate deseori obtura, în funcție de folosirea aparatului.

- Pentru a preveni pericolul de incendii, la fiecare 2 luni este necesară spălarea filtrelor antigrăsime; acestea vor fi spălate cu mâna, folosind un detergent neutru neabraziv sau în mașina de spălat vase la temperaturi reduse, efectuând cicluri rapide.

- După câteva spălări, pot fi verificate alterațiile de culoare. Acest lucru nu dă dreptul la reclamații în vederea înlocuirii lor.

• **Filtrele cu cărbune activ** au scopul de a depura aerul care este eliberat în atmosferă și au funcția de a diminua mirosurile neplăcute datorate gătitului.

- Filtrele cu cărbune activ neregenerabile trebuie înlocuite la maxim fiecare 4 luni. Saturația cărbunelui activ depinde de utilizarea mai mult sau mai puțin îndelungată a aparatului, de tipul de mâncăruri gătite și de intervalele la care este realizată curățarea filtrului antigrăsime.

- Filtrele cu cărbune activ regenerabil trebuie spălate cu mâna, cu detergenți neutri neabrazivi, sau în mașina de spălat vase la o temperatură de maxim 65°C (ciclul de spălare trebuie să fie complet și fără vase). Înlăturați apa în exces având grijă să nu deteriorați filtrul, îndepărtați elementele din plastic și uscați materialul în cuptor timp de cel puțin 15 minute la o temperatură de maxim 100°C. Pentru a păstra eficiența filtrului cu cărbune regenerabil, această operație trebuie efectuată la fiecare 2 luni. Acestea trebuie înlocuite la maxim fiecare 3 ani sau în momentul în care materialul de filtrare este deteriorat.

• **Înainte de a monta la loc filtrele antigrăsime și filtrele cu cărbune activ regenerabile este important ca acestea să fie bine uscate.**

• Curățați hota des, atât pe interior cât și pe exterior, cu ajutorul unei lavete îmbibate în spirt sau cu un detergent neutru, **neabraziv**.

• Instalatia de lumină este proiectată numai pentru folosirea ei în timpul gătitului și nu pentru a asigura iluminarea generală a bucătăriilor. Folosirea îndelungată a luminii hotei reduce mult durata de viață a becurilor.

• Dacă aparatul este dotat cu **lumină ambient** aceasta poate fi folosită timp îndelungat pentru iluminarea generală a ambientului.

• **Atenție:** nerespectarea avertizărilor privind curățarea hotei, înlocuirea și curățarea filtrelor duce la crearea riscurilor de incendii. Este recomandată respectarea cu strictețe a instrucțiunilor prezentate.

### • Înlocuirea becurilor cu halogen (Fig.15.1):

Pentru a înlocui becurile cu halogen **B** îndepărtați geamul din sticlă **C** apăsând clemele din fisurile corespunzătoare.

Înlocuiți becurile arse cu altele noi, de același tip.

**Atenție:** nu atingeți becul cu mâna.

### • Înlocuire becuri LED (Fig.15.2):

Dacă versiunea aparatului este cu becuri **LED** pentru înlocuire este necesară intervenția unui tehnician specializat.

### • Comenzi (Fig.16) luminoase simbolurile sunt explicate mai jos:

**A** = buton LUMINĂ

**B** = buton de oprire OFF

**C** = buton VITEZA ÎNTAI

**D** = buton VITEZA A DOUA

**E** = buton VITEZA A TREIA

**F** = buton TEMPORIZATOR OPRIRE AUTOMATĂ 15 minute (\*)

Dacă aparatul vostru este prevăzut cu funcția viteză **INTENSIVĂ** plecând de la a TREIA viteză și ținând apăsat timp de aproximativ 2 secunde tasta **E** aceasta va fi activată timp de 10 minute după care va reveni la viteza anterior setată.

Când funcția este activată **LEDUL** pâlpâie. Pentru a-l întrerupe înainte de 10 minute apăsați din nou tasta **E**.

Apăsând butonul **F** timp de 2 secunde (cu hota închisă) se va pune în funcțiune "**clean air**". Acest procediment va pune în funcțiune motorul timp de 10 minute la fiecare ora în prima viteză. Cum s-a pus în funcțiune, motorul va începe cu 1<sup>o</sup> viteză timp de 10 minute în timpul careia trebuie să semnaleze simultan butoanele **F** și **C**. După ce a trecut acest timp motorul se oprește și ledul butonului **F** rămâne fix aprins, iar după 50 de minute motorul pornește din nou la prima viteză și ledul **F** și **C** încep să semnalizeze pe timp de 10 minute, și așa mai departe. Apăsând orice tastă în afara de lumină, hota revine la funcționarea normală (ex. dacă se apasă tasta **D** se dezactivează funcția "**clean air**" iar motorul se configurează la a 2<sup>o</sup> viteză; apăsând tasta **B** funcția se dezactivează).

(\*) Funcția "**TEMPORIZATOR OPRIRE AUTOMATĂ**" întârzie oprirea hotei, care va continua să funcționeze timp de 15', la viteza pe care o avea în momentul activării acestei funcții.

### • Saturarea filtrului de degresare/carbon activ:

- Când tasta **A** emite un semnal intermitent, la un interval de **2 secunde**, filtrele de degresare trebuie spălate.

- Când tasta **A** pâlpâie cu o frecvență de **0,5 sec.** filtrele cu cărbune activ trebuie spălate sau înlocuite în funcție de tipul de filtru.

După ce ați montat filtrul curat este necesar să ștergeți memoria electronică apăsând tasta **A** timp de **5 secunde**, până când tasta se stinge.

### • Comenzi (Fig.17):

**Butonul A** = Aprinde/stinge lumina.

**Butonul B** = Pornește/oprește hota. Micșorează viteza motorului. Punerea în funcțiune a hotei se realizează la viteza 1. Dacă hota este în funcțiune, apăsați butonul timp de 2 secunde pentru a o opri. Dacă hota este în viteza 1, nu este necesar să o opriți.

**Display C** = Indică viteza selectată și activează temporizatorul.

**Butonul D** = Pornește hota. Mărește viteza motorului. Prin apăsarea butonului corespunzător vitezei a 3a, se intensifică funcționarea timp de 10', după care hota se întoarce la viteza inițială. În acest interval de timp display-ul emite o lumină

intermitentă.

**Butonul E** = Timer-ul cronometrează durata funcțiilor, din momentul activării lor, timp de 15 minute; apoi, acestea sunt dezactivate. Timer-ul se dezactivează apăsând din nou butonul **E**. Când funcția Timer este activă, zecimalele de pe display emit un semnal intermitent. Dacă funcția Viteza intensiva este activată, Timer-ul nu poate fi pus în funcțiune.

Apăsând butonul **E** timp de 2 secunde, când aparatul este oprit, se activează funcția "**clean air**". Aceasta pune în funcțiune motorul 10 minute pe ora, la viteza întâi. În timpul funcționării, pe ecran apare o mișcare rotativă, a segmentelor periferice. La expirarea timpului, motorul se oprește iar pe ecran apare litera **C**, cu un semnal luminos stabil, care rămâne în acest fel 50 de minute; apoi, motorul se repune în funcțiune alte 10 minute, s.a.m.d. Pentru a vă întoarce la modul normal de funcționare apăsați o tastă oarecare cu excepția celor aprinse. Pentru a dezactiva funcția apăsați tasta **E**.

• **Saturarea filtrului de degresare/carbon activ:**

- Când ecranul **C** este intermitent și viteza de funcționare se alternează cu litera **F** (de ex.1 și **F**) este necesar să spălați filtrele degresante.

- Când display-ul **C** pâlpâie afișând în mod alternativ viteza de exercițiu și litera **A** (ex.1 și **A**) filtrele cu cărbune activ trebuie înlocuite sau spălate în funcție de tipul de filtru folosit.

După montarea unui filtru curat, este necesar să resetați memoria electronică apăsând tasta **A** timp de **5 sec.**, până când ledurile **F** sau **A** de pe ecranul **C** încetează să fie intermitente.

• **Comenzi (Fig.18) mecanice; simbolurile sunt explicate mai jos:**

**A** = buton LUMINĂ

**B** = buton de oprire OFF

**C** = buton VITEZA ÎNTĂI

**D** = buton VITEZA A DOUA

**E** = buton VITEZA A TREIA.

**PRODUCĂTORUL ÎȘI DECLINĂ ORICE RESPONSABILITATE PENTRU DAUNELE PROVOCATE PRIN NERESPECTAREA INSTRUCȚIUNILOR DE MAI SUS.**

## ОБЩИЕ СВИДЕНИЯ

Внимательно прочитайте содержание данной инструкции, поскольку содержит важные указания, относящиеся к безопасности установки, эксплуатации и техобслуживания. Сохраните инструкцию для любой дальнейшей консультации. Устройство разработано в следующих вариантах исполнения: вытяжное устройство (удаление воздуха из помещения - Рис.1B), фильтрующее устройство (рециркуляция воздуха внутри помещения - Рис.1A) или вариант с применением наружного электродвигателя (Рис.1C).

## МЕРЫ ПРЕДОСТОРОЖОСТИ

1. Быть внимательным, если одновременно работает вытяжка и горелка или очаг, нуждающиеся в окружающем воздухе и запитываемые иной энергией, кроме электрической. В таком случае вытяжка удаляет из помещения воздух, нужный для процесса сгорания в горелке или очаге.

Отрицательное давление в помещении не должно превышать 4Pa ( $4 \times 10^{-5}$  bar). Для надежной и безопасной работы следует обеспечить вентиляцию помещения. Для наружных выбросов соблюдать правила, действующие в Вашей стране.

### Прежде чем подключить прибор к электрической сети:

-Убедиться в соответствии напряжения и мощности прибора, данные о которых помещены на заводской паспортной табличке, сетевым показателям, а также соответствие электросоединителя(розетки).В случае несоответствия розетки обратиться кквалифицированному электрику.

-Если провод электропитания поврежден, замените его или весь специальный узел у производителя или в уполномоченном центре технического обслуживания.

-Подсоединить устройство к сети электропитания посредством штепсельной вилки с предохранителем 3 А или двух двухполюсных проводов с предохранителем 3 А.

### 2. Внимание!

**В некоторых случаях электрические приборы могут быть опасными.**

**A) Не проверяйте состояние фильтров при работающей вытяжке.**

**B) Не прикасайтесь к лампочкам или к прилегающим зонам в процессе работы системы освещения или сразу же после ее выключения.**

**C) Запрещается готовить блюда на открытом пламени под кухонной вытяжкой.**

**D) Избегайте открытого пламени, так как оно повреждает фильтры и может привести к возгоранию.**

**E) В процессе жарки во фритюре непрерывно следите за процессом во избежание возгорание кипящего масла.**

**F) Отсоединяйте штепсельную вилку от сетевой розетки перед началом технического обслуживания.**

**G) Изделие не рассчитано на эксплуатацию детьми или недееспособными лицами без контроля.**


**H) Не разрешайте детям играть с изделием.**

**I) Если вытяжка используется одновременно с другими приборами, в которых используется топливный газ или другие виды топлива, в помещении должна быть обеспечена надлежащая вентиляция.**

**L) В случае выполнения операций по чистке без соблюдения инструкций существует опасность возгорания.**

Данное изделие имеет маркировку соответствия Европейскому Нормативу 2002/96/EC, Утилизация электрических и электронных изделий (WEEE).

Реверьте, чтобы по окончании его срока службы данное изделие было сдано в утиль. Этим Вы поможете сохранить окружающую среду.

Символ  на изделии или в прилагающейся к нему документации означает, что данное изделие не должно рассматриваться как бытовые отходы, а должно быть сдано в специальный центр утилизации, занимающийся уничтожением электрических и электронных приборов. Изделие должно быть сдано в утиль в соответствии с местными нормативами по утилизации отходов. За дополнительными сведениями касательно обработки, утилизации и уничтожения данного изделия обращайтесь в местное отделение сбора домашних бытовых приборов или в магазин, в котором было куплено изделие.


## ИНСТРУКЦИЯ ПО УСТАНОВКЕ


• **Монтаж и электрическое подключение должны выполняться квалифицированным техником.**

• **Перед тем, как приступить к монтажным операциям, надеть защитные перчатки.**

### • Электрическая связь:

Примечание! Проверьте табличку данных, расположенную внутри аппарата:

-Если на табличке имеется символ , это значит, что аппарат не должен заземляться, в связи с чем необходимо следовать инструкциям в отношении типа изоляции II.

-Если на табличке **НЕТ** символа , следуйте инструкциям в отношении типа изоляции I.

### Тип изоляции II

Необходимо обеспечить легкий доступ к штепселю после установки аппарата.


В случае поставки аппарата с кабелем без штепселя, для того чтобы подключить его к электрической сети, необходимо установить между аппаратом и сетью мультиполярный выключатель с минимальным расстоянием между контактами 3 мм, рассчитанный на данную нагрузку и соответствующий действующим нормативам:


коричневый-L-линия  
синий-N-нейтральный.

### Тип изоляции I

Данное изделие относится к **классу I**, поэтому должно подсоединяться к заземлению.

Подсоединение к сети электропитания производится в следующем порядке:  
КОРИЧНЕВЫЙ = L сеть

СИНИЙ = **N** нейтраль  
ЖЕЛТО-ЗЕЛЕНый =  заземление.

Провод нейтральный должен подсоединяться к зажиму с символом **N**, а **ЖЕЛТО-ЗЕЛЕНый** провод – к зажиму с символом заземления .

В процессе электрического подключения проверьте, чтобы электрическая розетка была оснащена контактом заземления. После монтажа кухонной вытяжки проверьте, чтобы штепсельная вилка изделия была легкодоступной. В случае прямого подключения к сети электропитания необходимо установить между изделием и сетью мультиполярный выключатель с минимальным расстоянием между контактами 3 мм, рассчитанный на данную нагрузку и соответствующий действующим нормативам.

- Минимальная дистанция между опорной нагревающейся плоскостью и нижней частью кухонного дымохода должна быть не менее **45 см**. Если применяется соединительная труба из двух и более частей, то верхняя часть должна располагаться снаружи нижней части. Не соединять выброс из вытяжки с каналом циркуляции горячего воздуха или с каналом, используемым для отвода дыма от устройств, запитаемых иной энергией кроме электрической. Перед тем как приступить к сборке устройства, для облегчения его монтажа отсоедините фильтр/жироулавливающий фильтр (Рис.2.2 - Рис.3.2).

- В том случае, если прибор монтируется с вытяжным устройством, рекомендуется обеспечить помещение выводящим отверстием.

- Рекомендуется использовать трубу дымохода с таким же диаметром, что и отверстие подачи воздуха. Использование суженной трубы может сократить КПД вытяжки и увеличить ее шумовой уровень.

- Если прибор оснащён колпаком **M**, снять его, для этого отсоединить, как показано на Рис.2.3 - Рис.3.3.

Перед тем, как приступить к монтажным операциям, чтобы увеличить манёвренность прибора, следует отсоединить жироулавливающий фильтр, для этого потянуть рукоятку **V**, как показано на Рис.2.2 - Рис.3.2.

На моделях с периметральной вытяжной панелью, перед выполнением этой операции, выполнить следующие действия:

- Открыть панель **C**, как указано на Рис.2.1 - Рис.3.1.

- На версии с тремя панелями **A** отсоединить их от крепёжных штырей, для чего следует потянуть их наружу (Рис.3.4) и затем, снять их с предохранительных штырей **N** (Рис.3.4) которые находятся внутри колпака. Для установки, выполнить операции в обратном порядке. **ВНИМАНИЕ! При выполнении этой монтажной и демонтажной операции, проверить, что панель надёжно установлена, во избежание случайного падения.**

#### • Настенное крепление:

Провести разметку нижней стороны вытяжки на стене, учитывая размеры, указанные на Рис.4А и минимальное расстояние от варочной панели (Рис.4В).

- Приложить крепежное лекало к стене, обращая внимание, чтобы линия совпала с линией, отмеченной ранее.

- Отметьте и просверлите крепежные отверстия (Рис.5).

- Вставьте 2 верхних шурупа **K**, не завинчивая их до упора, и расширительные вкладыши (Рис.5).

- Установить прибор на стену (Рис.6А).

- Обратите внимание, что затянуты 2 выравнивающих

шурупа **J** (Рис.6В.1).

- Выровнять прибор в горизонтальном положении с помощью выравнивающих болтов **J** (Рис.6В.1).

- После выполнения настройки, окончательно закрепить колпак с помощью болтов **K** (Рис.6С - Рис.6Д).

- Для того чтобы упростить доступ к отсеку двигателя, при проведении техобслуживания, после выравнивания и окончательного закрепления аппаратуры, рекомендуется снять скобы (Рис.6В.1).

- Для различных видов установки использовать расширительные шурупы и вставки, подходящие для типа стены (например, железобетон, гипсокартон, напр.).

- В том случае, если шурупы и вставки представляются в серийном оснащении вместе с продуктом, убедиться, что они подходят к типу стены, на которую устанавливаются вытяжка.

#### • Установка для моделей без декоративных дымоотводов:

##### Версия с вытяжкой

- Отсоединить колпак **M** и снять решётку **E** (Рис.7).

- Провести силовую кабель в отверстие в колпаке **M**, указанное в Рис.9А.1.

- Установить кабельный прижим **H** между силовым кабелем и отверстием (Рис.9А.2).

- Подсоединить к вытяжке гибкую трубу **L** (не входящую в оснащение) (Рис.9В).

- Установить на место колпак **M** обратите внимание, что он полностью закреплён на крепёжных штырях **G** (Рис.9В).

##### • Фильтрирующая версия:

- Отсоединить колпак **M** и снять решётку **E** (Рис.7).

- Провести силовую кабель в отверстие в колпаке **M**, указанное в Рис.8.1.

- Установить кабельный прижим **H** между силовым кабелем и отверстием (Рис.8.2).

- Закрепить колпак **M** и решётку **E**, обратите внимание, что он полностью закреплён на крепёжных штырях **G** (Рис.8).

##### • Дополнительные детали:

Данная модель кухонной вытяжки в качестве дополнительной детали может быть оснащена декоративным камином, который Вы можете заказать в магазине.

Перед установкой декоративного дымоотвода, необходимо снять колпак **M** и отвинтить 4 болта **Q**, блокирующие крепёжные штыри **G**, как показано на Рис.11.

#### • Установка для моделей с декоративными дымоотводами:

##### Вытяжная версия

Подготовить электропитание в пределах декоративного дымоотвода.

Отрегулировать ширину опорной скобы верхнего декоративного дымоотвода (Рис.10.2).

Затем закрепить к стене таким образом, чтобы он был на одном уровне с вытяжкой, использовать шурупы **A** и соблюдать расстояние, указанное на Рис.10.1.

С помощью гибкой трубы **L**, подсоединить фланец **F** к выводному отверстию воздуха (Рис.12А).

Ввести верхний декоративный дымоотвод в нижний и установить конструкцию над корпусом вытяжки (Рис.12В).

Снять верхний декоративный дымоотвод до скобы и закрепить с помощью шурупов **B** (Рис.10.2).

Для превращения колпака из вытяжного в фильтрующий обратитесь к своему дилеру для получения фильтров



с активированным углем и следуйте инструкциям по установке.

#### • **Фильтрующая версия:**

##### **Внимание!**

Фильтры необходимо заказать у вашего дилера как дополнительную деталь.

- Для превращения колпака из **ВЫТЯЖНОГО** в **ФИЛЬТРУЮЩИЙ** обратитесь к своему дилеру для получения фильтров с активированным углём.

В наличии имеются два вида комплекта, один с нерегенерируемыми фильтрами (Рис.13) и другой с регенерируемыми (моющимися) (Рис.14).

В отличие от других фильтров с активированным углём, настоящий регенерируемый фильтр может быть использован ещё 12-15 раз.

При нормальном использовании вытяжки, настоящий фильтр необходимо очищать каждый 2-3 месяца.

Фильтр можно мыть в посудомоечной машине при максимальной температуре, используя нормальное моющее средство для посудомоечных машин.

После мойки, чтобы сделать вновь активным регенерируемый фильтр, необходимо высушить его в духовом шкафу, при температуре 100° в течение 15-20 минут.

Фильтр сохраняет поглощающую способность запахов в течение трёх лет, после чего, его необходимо заменить.

- Если в упаковке вы найдёте скобу, указанную на Рис.14 необходимо отвинтить 4 уже установленных шурупа внутри вытяжки и установить скобу с помощью снятых 4 шурупов.

- Чтобы заменить регенерируемые фильтры с активированным углём **У**, необходимо снять скобы с пазов, для этого, потянуть их наружу (Рис.14).

- Если в комплект вашего продукта не входит скоба, значит что фильтр с активированным углём не регенерируемый (Рис.13).

- Они должны быть установлены на блок всасывания в вытяжки, для этого следует выровнять с вытяжкой и повернуть на 90 градусов до стопорного щелчка (Рис.13).

## **ЭКСПЛУАТАЦИЯ И ТЕХХОД**

• Рекомендуем ввести аппарат в эксплуатацию, прежде чем приступать к варке какого-либо элемента. Рекомендуем оставить работать аппарат на 15 минут, после завершения приготовления пищи, чтобы полностью выпустить тяжелый воздух. Хорошее функционирование колпака обусловлено правильным и постоянным техническим обслуживанием; особое внимание следует уделить фильтру жира и активированного угля.

• **Жирудаляющий фильтр** должен удерживать жирные взвешенные частицы в воздухе, следовательно, его загрязнение зависит от времени работы прибора.

- Во избежание риска пожара, не реже двух раз в месяц необходимо промывать жирудаляющие фильтры вручную с использованием жидких нейтральных моющих средств без абразивных добавок, или мыть в посудомоечной машинке при низкой температуре и в коротких циклах.

- Цвет может измениться, после нескольких промывок. Этот факт не даёт права на жалобу и замену детали.

• **Фильтры с активированным углём** необходимы для очистки воздуха в помещении и удаляют неприятные запахи при приготовлении пищи.

- Не регенерируемые фильтры с активированным углём необходимо заменять не реже 1 раза в 4 месяца. Насыщение активированного угля зависит от того, часто использовался прибор, от вида кухни и от регулярности очистки жирудаляющего фильтра.

- Регенерируемые фильтры с активированным углём необходимо мыть вручную, с использованием нейтральных моющих средств без абразивных добавок, или в посудомоечной машине при температуре не выше 65°C (при этом в машине не должно находиться посуды). Удалить лишнюю воду, не повреждая фильтр, снять пластмассовые детали и высушить коврик в печи, не менее чем 15 минут при температуре не выше 100°C. Чтобы поддерживать фильтр с активированным углём в эффективном состоянии, это операцию необходимо проводить каждые 2 месяца. Не менее чем раз в 3 года фильтр необходимо заменять, или когда на коврике обнаружены повреждения.

• **Перед тем, как установить жирудаляющие фильтры и фильтры с активированным углём, необходимо их тщательно высушить.**

• Необходимо часто очищать колпак как внутри, так и снаружи, используя увлажненную денатурированным спиртом ткань или нейтральные **не** царапающие жидкие моющие средства.

• Лампы вытяжки служат для освещения варочной панели во время приготовления и не рассчитаны на длительное включение для обычного освещения помещения. Продолжительное использование ламп вытяжек значительно сокращает их средний срок службы.

• Если прибор **оснащён освещением помещения**, оно может быть использовано для длительного применения всего освещения помещения.

• **Внимание:** несоблюдение рекомендаций по очистке вытяжке и замене и очистки фильтров, приводит к опасности пожара. Рекомендуется следовать приведённым инструкциям.

#### • **Замена галогенных ламп (Рис.15.1):**

Для замены галогенных ламп **В** снимите стеклянную крышку **С**, поддев ее отверткой в специальных пазах. Замените лампы на лампы такого же типа.

**Внимание:** не прикасайтесь к лампам голыми руками.

#### • **Замена светодиодных ламп (Рис.15.2):**

На исполнении со **СВЕТОДИОДНЫМИ** лампами, замену ламп должен производить специализированный технический персонал.

#### • **Органы управления (Рис.16) Светящиеся:**

**A** = кнопка освещения

**B** = кнопка нулевой

**C** = кнопка первой скорости

**D** = кнопка второй скорости

**E** = кнопка третьей скорости

**F** = кнопка таймера автоматической остановки через 15 мин (\*)

Если на вашем приборе предусмотрена **ИНТЕНСИВНАЯ** скорость, для её запуска необходимо, начав с ТРЕТЕЙ скорости, нажать в течение около 2 секунд на кнопку **E**, функция запустится на 10 минут, после чего, включится предварительно заданная скорость.

При активированной функции, мигает светодиодный сигнал. Для прекращения функции до истечения 10 минут, нажать снова на кнопку **E**.



Нажатом положении в течение 2–х секунд клавишу **F**. Для включения функции “**clean air**” нажать и держать в таком положении клавишу **F**. Эта функция ежесекундно включает двигатель на первой скорости на 10 минут, в течение которых должны мигать одновременно указатели клавиш **F** и **C**. После чего двигатель выключается, а указатель на клавише **F** остается зажженным. Приблизительно через 50 минут опять включается двигатель на первой скорости, и указатели **F** и **C** начинают мигать в течение 10 минут и т.д. Нажимая на любую кнопку, за исключением света, вытяжка возвращается к нормальному режиму работы (например, при нажатии на кнопку **D**, отключается функция “**clean air**” и двигатель устанавливается на вторую скорость; нажимая на кнопку **B**, функция отключается).

(\*) Функция “**ТАЙМЕР АВТОМАТИЧЕСКОЙ ОСТАНОВКИ**” задерживает отключение вытяжки, которая продолжает работу на скорости, выбранной при включении этой функции через 15 минут.

#### • Засорение фильтров-жироуловителей/фильтра с активированным углем:

- Когда мигает кнопка **A** с частотой **2 сек.**, необходимо вымыть фильтры-жироуловители.

- Когда мигает кнопка **A** с частотой **0,5 сек.** необходимо промыть или заменить фильтр с активированным углем, в зависимости от его типа.

После установки на место чистого фильтра необходимо обнулить электронную память, нажав кнопку **A** примерно на 5 сек. вплоть до прекращения мигания.

#### • Органы управления (Рис.17):

**Клавиша A** = Включает/выключает подсветку.

**Клавиша B** = Включение/выключение вытяжки. Вытяжка включается на 1-ой скорости. Если вытяжка включена, нажмите кнопку на 2 секунды, чтобы выключить ее. Если вытяжка работает на 1-ой скорости, не нужно держать кнопку нажатой для ее выключения. Скорость двигателя сокращается.

**Дисплей C** = показывает скорость мотора, которая была набрана, и включение таймера.

**Клавиша D** = включает вытяжку. Увеличивает скорость мотора. Нажатие клавиши 3-й скорости вызывает активацию функции интенсивного режима на 10 мин, по истечении которых восстанавливается скорость работы, активной в момент включения данной функции. На период действия интенсивного режима имеет место мигание индикатора.

**Клавиша E** = Таймер на 15 минут запоминает функции в момент включения после отключения этих функций. Таймер отключается повторным нажатием кнопки **E**. Когда функция Таймер включена, на дисплее должно мигать десятичное значение. Если работает интенсивная скорость, включить функцию Таймер нельзя.

Нажав кнопку **E** на 2 секунды при выключенной вытяжке, включается функция “**clean air**”, Эта функция включает двигатель на 1-ой скорости на 10 минут каждый час. В процессе функционирования на дисплее показываются вращающиеся боковые сегменты. По истечении этого времени двигатель выключается, и на дисплее появляется буква “**C**” до следующего запуска двигателя на 10 минут по прошествии 50 минут. Чтобы вернуться к нормальной работе, нажать на любую кнопку кроме освещения. Чтобы отключить функцию нажать на кнопку **E**.

#### • Засорение фильтров-жироуловителей/фильтра с активированным углем:

- Когда на дисплее **C** попеременно мигают значение рабочей скорости и буква **F** (например, **1** и **F**) необходимо вымыть фильтры-жироуловители.

- Когда на дисплее **C** попеременно мигают рабочая скорость и буква **A** (например, **1** и **A**) необходимо заменить или промыть фильтры с активированным углем, в зависимости от вида фильтра.

После установки фильтра на место после чистки необходимо обнулить электронную память, нажав кнопку **A** примерно на **5 сек.** вплоть до прекращения мигания буквы **F** или **A** на дисплее **C**.

#### • Органы управления (Рис.18) Механические:

**A** = кнопка освещения

**B** = кнопка нулевой

**C** = кнопка первой скорости

**D** = кнопка второй скорости

**E** = кнопка третьей скорости.

**ФИРМА НЕ НЕСЕТ НИКАКОЙ ОТВЕТСТВЕННОСТИ ЗА УЩЕРБ, ВЫЗВАННЫЙ НЕСОБЛЮДЕНИЕМ ВЫШЕПРИВЕДЕННЫХ ПРЕДУПРЕЖДЕНИЙ.**

**OBSERVERA**

Läs innehållet i detta instruktionshäfte noga då det tillhandahåller viktig information vad beträffar säkerheten vid installation, användning och underhåll. Spar häftet för eventuella framtida konsultationer. Apparaten har utformats antingen som utsugningskåpa (extern luftevakuering) eller filterkåpa (intern luftrecirkulation). Apparaten är konstruerad för att användas som antingen insugande version (utsugning av luft utomhus - Fig.1B), filtrerande version (återcirkulering av luft inomhus - Fig.1A) eller version med yttre motor (Fig.1C).

**SÄKERHETSFORESKRIFTER**

1. Var uppmärksam om utsugningskåpan fungerar samtidigt som en brännare eller eldhärd som är beroende av omgivningsluften i rummet och som drivs med annan typ av energi än elektrisk energi, eftersom utsugningskåpan suger upp luft från rummet som brännaren eller eldherden är i behov av för sin förbränningsprocess. Undertrycket i lokalen får inte överskrida 4 Pa (4x10<sup>-5</sup> bar). För att garantera säkerheten rekommenderas därför en god ventilation av lokalen. Vad beträffar det utvändiga utsläppet skall de i det aktuella landet gällande normerna och föreskrifterna respekteras.

**Innan apparaten kopplas till elnätet:**

- Kontrollera typskylten (på insidan av apparaten) och försäkra dig om att spänning och effekt motsvarar elnätets och att stickkontakten passar. Rådfråga kunnig eltekniker, om du är tveksam.

- Om nätkabeln är skadad ska den bytas ut mot en ny kabel eller en specialsats som tillhandahålls av tillverkaren eller dess tekniska servicetjänst.

- Anslut strömförsörjningsaggregatet via en stickkontakt med en säkring på 3A eller till tvåfasanslutningens två trådar som ska skyddas av en säkring på 3A.

**2. OBSERVERA!**

**I vissa situationer kan elektrisk utrustning utgöra en fara.**

**A) Kåpan ska inte vara i drift när filtrens skick kontrolleras.**

**B) Vidrör inte glödlampor eller områden runt dessa direkt efter längre tids användning av belysningen.**

**C) Det är förbjudet att tillaga flamberade rätter under kåpan.**

**D) Undvik fria lågor. Dessa kan skada filtren och förorsaka brand.**

**E) Vid fritering ska tillagningen hållas under konstant uppsikt för att förhindra att oljan tar eld.**

**F) Koppla från kontakten från stickkontakten innan underhållsmoment utförs.**

**G) Utrustningen är inte avsedd att användas av barn eller oförmögna personer, utan uppsikt av en vuxen.**

**H) Kontrollera att barn inte leker med utrustningen.**


**I) När kåpan används samtidigt med utrustning som bränner gas eller andra bränslen, ska lokalen ha en god ventilation.**

**L) Om rengöringsmomenten inte utförs med respekt för anvisningarna finns det risk för att brand uppstår.**

Den här apparaten överensstämmer med europadirektivet 2002/96/EG, Waste Electrical and Electronic Equipment

(WEEE).

Genom att försäkra sig om att den här produkten elimineras på rätt sätt, bidrar användaren till att förebygga eventuella negativa följrisker för miljö och hälsa.

Symbolen  på produkten eller på bifogad dokumentation indikerar att den här produkten inte ska behandlas som hushållsavfall utan ska överlämnas till lämplig avfallsstation för återvinning av elektriska och elektroniska apparater. Kasserat enligt gällande lokala normer för avfallshantering. För ytterligare information om hantering och återvinning av produkten, kontakta det lokala kontoret, uppsamlingsstation för hushållsavfall eller affären där produkten inhandlats.


**INSTALLATIONS INSTRUKTIONER**


• **Ltgärder för montering och elanslutning måste utföras av kunnig personal.**

• **Sätt på dig skyddshandskar innan du påbörjar monteringsförfarandet.**

**• Elanslutning**

Obs! Kontrollera märkskylten som sitter inuti utrustningen:

- Om symbolen  anges på märkskylten innebär detta att utrustningen inte ska jordanslutas. Följ därför anvisningarna i isolationsklass II.

- Om symbolen  **INTE** anges på märkskylten ska anvisningarna i isolationsklass I följas.

**Isoleringsklass II**

Apparaten är av typklass II, och inga kablar skall därför jordanslutas.

Stickkontakten ska vara lättåtkomlig efter att utrustningen har installerats.

Om utrustningens nätkabel saknar stickkontakt, är det nödvändigt att installera en flerpolig brytare mellan utrustningen och elnätet. Brytaren ska ha en min. öppning mellan kontaktarna på 3mm, vara dimensionerad för belastningen och uppfylla gällande lagstiftning.

Nätanslutningen skall utföras på följande sätt:

BRUN = L fas

BLÅ = N nolla.


**Isoleringsklass I**


Denna utrustning är konstruerad i enlighet med **klass I**, och ska därför anslutas till en jordad kontakt.

Anslutningen till elnätet ska göras på följande sätt:

BRUN = L-linje

BLÅ = N-nolla

GULGRÖN =  jord.

Nollkabeln ska anslutas till klämman med **N**-symbolen, medan den **GULGRÖNA** kabeln ska anslutas till klämman intill jordsymbolen .

Vid elektrisk anslutning, se till att strömuttaget har jordanslutning. När utsugningskåpan har monterats, se till att kontakten för nätanslutningen sitter i ett lättåtkomligt läge. Vid direkt anslutning till elnätet är det nödvändigt att installera en flerpolig brytare mellan utrustningen och elnätet. Brytaren ska ha en min. öppning mellan kontaktarna på 3mm, vara dimensionerad för belastningen och uppfylla gällande lagstiftning.

• Det minimala avståndet mellan kokkårlens underlag på

kokhällen och spisfläktens nedre del måste vara minst **45 cm**. I det fall ett anslutningsrör används som består av två eller flera delar, måste den övre av delarna träs utanpå den undre delen. Anslut inte kåpan utloppsrör till luftkanaler i vilka varmluft cirkulerar, eller kanaler som används för att evakuera rök från apparater som drivs med annan typ av energi än elektrisk energi. För att förenkla handhavandet av apparaten ska antifettfilter/-en tas ur innan monteringsmomenten påbörjas (Fig.2.2 - Fig.3.2).

- Om apparaten ska monteras med utsugningversion ska håll för luftuttömning anordnas.

• Det rekommenderas att använda ett ventilationsrör med samma diameter som öppningen för luftutgången. Om ett reducerestycke används försämras utrustningens kapacitet och bullernivån ökas.

• Om apparaten är försedd med kupolen **M** ska den tas bort genom att haka loss den på det sätt som visas i Fig.2.3 - Fig.3.3.

Innan du fortsätter med monteringen ska du, för att göra apparaten mer lätthanterlig, ta bort avfettningsfiltret genom att dra i handtaget **B** såsom beskrivs i Fig.2.2 - Fig.3.2.

Om du har en modell med omgärdande uppsugningspanel ska du göra följande saker innan du utför denna åtgärd:

- Öppna panelen **C** på det sätt som visas i Fig.2.1 - Fig.3.1.

- Om du har versionen med tre paneler **A** ska du haka loss dem från fästspindarna genom att dra dem utåt (Fig.3.4) och sedan dra ut dem från säkerhetspindarna **N** (Fig.3.4) som sitter inuti kåpan. För att sätta tillbaka dem igen utför du åtgärden i omvänd ordning. **VIKTIGT! Se till att du har ett fast grepp i panelen får att på så sätt undvika fallolyckor under denna process av nedmontering och montering.**

#### • Vägghmontering:

Markera fläktens underkant på väggen genom att beakta måtten som anges i Fig.4A samt minsta tillåtna avstånd från spis (Fig.4B).

- Placera fästsättningsmallen på väggen. Se till att linjen överensstämmer med linjen som du har markerat i föregående punkt.

- Markera och borra fästhålen (Fig.5).

- Fäst expansionspluggarna och de 2 övre skruvarna **K** utan att skruva fast dem fullständigt (Fig.5).

- Ställ apparaten mot väggen (Fig.6A).

- Försäkra dig om att de två nivåskruvarna **J** är ordentligt åtdragna (Fig.6B.1).

- Ställ in apparaten i vågrätt läge genom att skruva på de två nivåskruvarna **J** (Fig.6B.1).

- När justeringen är slutförd ska fläkten fixeras genom att dra åt skruvarna **K** (Fig.6C - Fig.6D).

- För att underlätta åtkomsten till motorenheten vid behov av service, rekommenderar vi att du avlägsnar byglarna (Fig.6B.1) efter att apparaten har fixerats.

- Använd expansionskruvar och pluggar av lämplig typ för väggen vid de olika monteringsmomenten (t.ex. betong, gips o.s.v.).

- Om skruvarna och pluggarna bifogas produkten, se till att de är av lämplig typ för väggen där kåpan ska sättas upp.

#### • Installation för modeller utan dekorationsrör:

##### Version med utsugsdrift:

- Haka loss kupolen **M** och ta bort gallret **E** (Fig.7).

- För in matarkabeln i hålet i kupolen **M** som visas i Fig.9A.1.

- Ta kabelgenomföringen **H** och placera den mellan matarkabeln och hålet (Fig.9A.2).

- Anslut slangen **L** (medföljer inte) till fläkten (Fig.9B).

- Sätt tillbaka kupolen **M** på plats. Se till så att den hakas fast ordentligt i spärarna **G** (Fig.9B).

##### • Version med kolfilterdrift:

- Haka loss kupolen **M** och ta bort gallret **E** (Fig.7).

- För in matarkabeln i hålet i kupolen **M** som visas i Fig.8.1.

- Ta kabelgenomföringen **H** och placera den mellan matarkabeln och hålet (Fig.8.2).

- Sätt tillbaka kupolen **M** och gallret **E** på plats. Se till så att den hakas fast ordentligt i spärarna **G** (Fig.8).

##### • Tillval:

Denna kåpmodell kan ha skorstenkåpor som tillval. Dessa kan beställas från återförsäljaren.

Innan dekorationsrören installeras är det nödvändigt att ta bort kupolen **M** och skruva loss de 4 skruvarna **Q** som håller fast spärarna **G** så som visas i Fig.11.

##### • Installation för modeller med dekorationsrör:

###### Version med utsugsdrift

Förbered strömtillförseln inom utrymmet som upptas av dekorationsröret.

Justera bredden på det övre dekorationsrörets stödbygel (Fig.10.2).

Fäst det därefter på väggen, på så sätt att det ställs axialt till fläkten, med skruvarna **A** och genom att respektera avståndet som anges i Fig.10.1.

Anslut flänsen **F** till luftutsläppet med hjälp av en slang **L** (Fig.12A).

Trä det övre dekorationsröret inuti det undre dekorationsröret och ställ dem ovanpå själva fläkthuset (Fig.12B).

Drag upp det övre dekorationsröret tills det når bygeln och fäst det med skruvarna **B** (Fig.10.2).

För att modifiera spiskåpan från insugande version till filterande version ska du beställa kolfilter från din återförsäljare och följ sedan monteringsanvisningarna.

##### • Version med kolfilterdrift:

###### Viktigt!

Kolfiltren ska beställas som tillbehör av din återförsäljare.

- Beställ filtren med aktivt kol som tillbehör hos din återförsäljare för att omvandla kåpan från **INSUGANDE** version till **FILTERANDE**.

Vi tillhandahåller två olika satser, en med lädkolfilter (Fig.13) och en med kolfilter som kan återställas (rengöras) (Fig.14). Till skillnad från andra kolfilter kan detta tvättbara kolfilter tvättas och återanvändas ungefär 12-15 gånger.

Vid normal användning av fläkten ska detta filter tvättas ungefär var 2-3 månader. Filtret kan tvättas i diskmaskin vid den högsta temperaturen och med vanligt maskindiskmedel. För att aktivera det tvättbara filtret efter tvätten är det nödvändigt att torka det i ugnen i 100° i 15-20 minuter.

Filtret bibehåller förmågan att absorbera lukt i tre år. Därefter ska filtret bytas ut.

- Om emballaget innehåller en bygel som den i Fig.14 är det nödvändigt att skruva bort de 4 skruvarna som redan sitter inuti fläkten och montera bygeln med hjälp av de borttagna skruvarna.

- För att byta ut det tvättbara kolfiltret **Y**, ska du ta bort byglarna från deras säte genom att dra dem utåt (Fig.14).

- Om din produkt inte är försedd med bygel betyder det att kolfiltret inte är tvättbart (Fig.13). Filtret ska monteras på uppsugningsenheten som sitter inuti fläkten genom att placera det i mitten av fläkten och vrida det 90 grader till stoppläge (Fig.13).

## ANVÄNDNING OCH UNDERHÅLL

• Det rekommenderas att starta utrustningen innan någon typ av livsmedel tillagas. Vi rekommenderar att du låter apparaten gå i 15 minuter efter att matlagningen avslutats, så att matoset helt sugts ut. Kåpan ska underhållas regelbundet och på ett korrekt sätt för att fungera på bästa sätt. Detta gäller i synnerhet avfettningsfiltret och filtret med aktivt kol.

• **Avfettningsfiltret** har till uppgift att stoppa fettpartiklarna som finns i luften. Detta filter sätts igen efter en viss tid, beroende på hur mycket utrustningen används.

- För att undvika risk för brand är det nödvändigt att tvätta avfettningsfiltret för hand med flytande neutralt icke-polerande diskmedel eller i diskmaskin på låg temperatur och med kort program minst en gång varannan månad.

- Efter några tvättar kan filtren ändra färg lite. Detta ger inte rätt till reklamation för eventuell ersättning av dem.

• **De aktiva kolfiltren** används för att rena luften som återcirkuleras till rummet och har som funktion att mildra de otrevliga lukter som genereras av matlagning.

- Engångskolfiltren bör bytas ut minst var 4:e månad. Det aktiva kolets måttnad beror på hur mycket apparaten har använts, på typen av kök samt på hur ofta avfettningsfiltret rengörs.

- De återanvändbara aktivt kolfiltrena bör diskas för hand med neutralt icke-polerande diskmedel, eller i diskmaskin med en högsta temperatur på 65° C (tvättprogrammet måste göras utan annan disk). Ta bort överflödigt vatten utan att skada filtret, ta bort plastdelarna och torka den lilla dynan i ugnen i minst 15 minuter vid en temperatur på max 100° C. För att behålla det återanvändbara aktiva kolfiltrets effektiva funktion ska denna handling upprepas varannan månad. Dessa måste bytas ut minst vart tredje år eller när den lilla dynan är skadad.

• **Innan du sätter tillbaka avfettningsfiltren och de återanvändbara aktiva kolfiltren är det viktigt att dessa har torkat ordentligt.**

• Rengöra kåpan regelbundet både på insidan och utsidan med en trasa fuktad med denaturerad sprit eller mildt flytande rengöringsmedel som **Inte** slipar.

• Belysningen är avsedd att endast vara tänd under tillagningen och inte för att lysa upp rummet i allmänhet under en längre tid. Om belysningen är tänd under en längre tid förkortas lampornas livslängd betydligt.

• Om apparaten är försedd med **innerbelysning** kan denna användas som allmän rumsbelysning under längre tid.

• **Viktigt!** Att ignorera anvisningarna om rengöring av kåpan samt om byte och rengöring av filtren medför brandrisk. Det rekommenderas därför att man följer dessa instruktioner.

### • Byta halogenlampor (Fig.15.1):

För att byta halogenlamporna **B**, bänd upp glaset **C** i springorna.

Byt ut mot lampor av samma typ.

**OBS!** Ta inte i lampan med bara händer.

### • Byte av LED-lamporna (Fig.15.2):

Om din apparat är försedd med **LED-lampor** är det nödvändigt att kontakta en specialiserad tekniker när de behöver bytas ut.

### • Manöverfunktioner (Fig.16) Lysande - beskrivs symbolerna här nedan:

**A** = knapp för BELYSNING

**B** = knapp OFF

**C** = knapp FÖRSTA HASTIGHET

**D** = knapp ANDRA HASTIGHET

**E** = knapp TREDJE HASTIGHET

**F** = TIMER FÖR AUTOMATISK AVSTÄNGNING EFTER 15 minuter (\*)

Om din apparat är försedd med funktionen **INTENSIVLÄGE** aktiverar du funktionen från den TREDJE hastigheten genom att hålla knappen **E** intryckt i ungefär 2 sekunder. Funktionen förblir aktiv i ungefär 10 minuter och därefter återgår fläkten till tidigare vald hastighet. Med aktiv funktion blinkar lysdioden. För att avbryta funktionen innan 10 minuter har gått ska du trycka in knappen **E** igen.

Tryck på knapp **F** i 2 sekunder (när fläkten är avstängd) för att sätta igång funktionen "**clean air**". Genom denna funktion sätts fläktmotorn igång i 10 minuter varje timme på hastighet ett. Omedelbart efter att ha aktiverat denna funktion, sätts motorn igång på hastighet ett under 10 minuter, medan knapp **F** och knapp **C** samtidigt blinkar.

Därefter släcks motorn och lysdiod **F** förblir tänd med fast ljus ända tills motorn efter ytterligare 50 minuter startar igen på hastighet ett och lysdioderna **F** och **C** börjar blinka igen i 10 minuter osv. Genom att trycka på vilken knapp som helst förutom ljusknapparna återgår fläkten till normal drift (t.ex. om du trycker på knappen **D** avaktiveras funktionen "**clean air**" och motorn ställs in på hastighet 2. Om du trycker på knappen **B** avaktiveras funktionen).

(\*) Funktionen "**TIMER FÖR AUTOMATISK AVSTÄNGNING**" fördröjer avstängningen av kåpan, som fortsätter att fungera i 15 minuter med samma arbetshastighet som vid påslagningen av denna funktion.

### • Orena fettfilter/aktivt kolfilter:

- När knappen **A** blinkar med ett intervall på **2 sek** ska fettfiltren rengöras.

- När knappen **A** blinkar med en frekvens av **0,5 sek.** bör de aktiva kolfiltren rengöras eller bytas beroende på typen av filter.

När det rena filtret har satts tillbaka, ska det elektroniska minnet nollställas genom att trycka på knapp **A** i cirka **5 sek** tills varningslampan slutar att blinka.

### • Manöverfunktioner (Fig.17):

**Tangent A** = Slår på/Av belysningen.

**Tangent B** = Slår på/Av kåpan. Apparaten startar med den lägsta hastigheten. Om kåpan fungerar skall tangenten tryckas in halv sekund för att slå av den. Om kåpan fungerar med den lägsta hastigheten behöver man inte hålla tangenten intryckt för att stänga av den. Minskar motorns hastighet.

**Display C** = Anger den valda motorhastigheten och aktiveringen av timern.

**Tangent D** = Slår på kåpan. Ökar motorns hastighet. Om tangenten för den tredje hastigheten trycks in startar den intensiva hastigheten under 10 sekunder för att sedan återgå till den arbets hastighet som var aktiv före ingreppet. Displayen blinkar under denna funktion.

**Tangent E** = II Timer ställer in funktionstiderna vid aktiveringen på 15 minuter, varefter de stängs av. Avaktivera timern genom att trycka på knapp **E**. När funktionen Timer är aktiv på displayen ska decimalpunkten blinka. Om hastighetens intensivläge är i funktion kan timern inte aktiveras.

Genom att trycka på knapp **E** i 2 sekunder, när apparaten är avstängd, så aktiveras funktionen "**clean air**". Denna tänds motorn i 10 minuter varje timme på första hastigheten. Under funktion ska displayen visa de perifera segmentens rotation. När denna tid gått ut släcks motorn och displayen visar den

lysande bokstaven "C" tills motorn efter ytterligare 50 minuter startar igen och går i 10 minuter igen och så vidare. Tryck på vilken knapp som helst utom ljusknappen för att återgå till normalt funktionssätt. Tryck på knappen E för att avaktivera funktionen.

• **Orena fettfilter/aktivt kolfilter:**

- När displayen C blinkar och visar omväxlande drifhastigheten och bokstaven F (t.ex. 1 och F) ska fettfiltren rengöras.

- När displayen C blinkar och visar omväxlande driftshastigheten och bokstaven A (t.ex. 1 och A) ska de aktiva kolfiltren rengöras eller bytas beroende på typen av filter.

När det rena filtret har satts tillbaka, ska det elektroniska minnet nollställas genom att trycka ned knappen A i cirka 5 sek tills signalerna F eller A slutar att blinka på displayen C.

• **Manöverfunktioner (Fig.18) mekaniska beskrivs symbolerna här nedan:**

A = knapp för BELYSNING

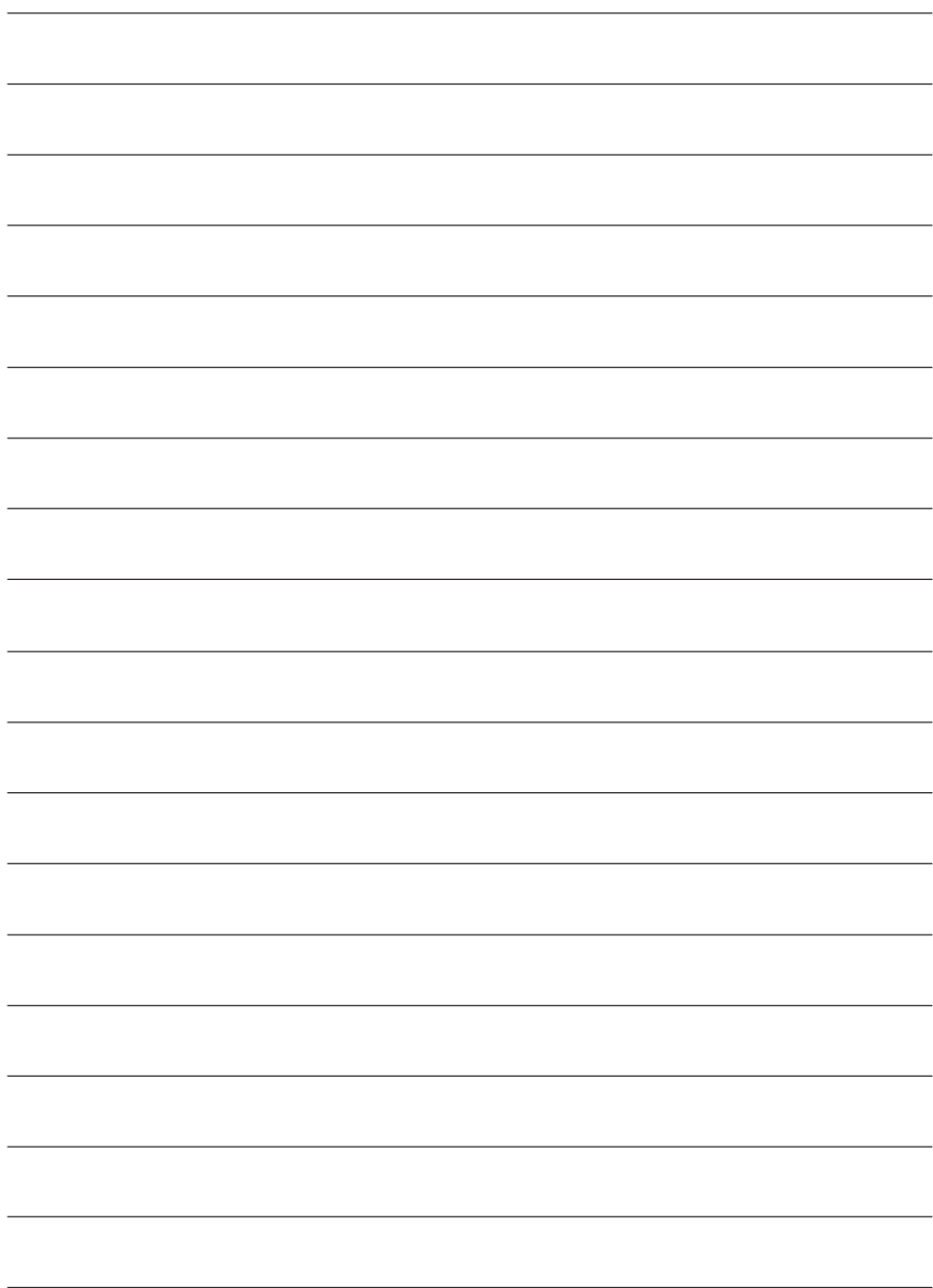
B = knapp OFF

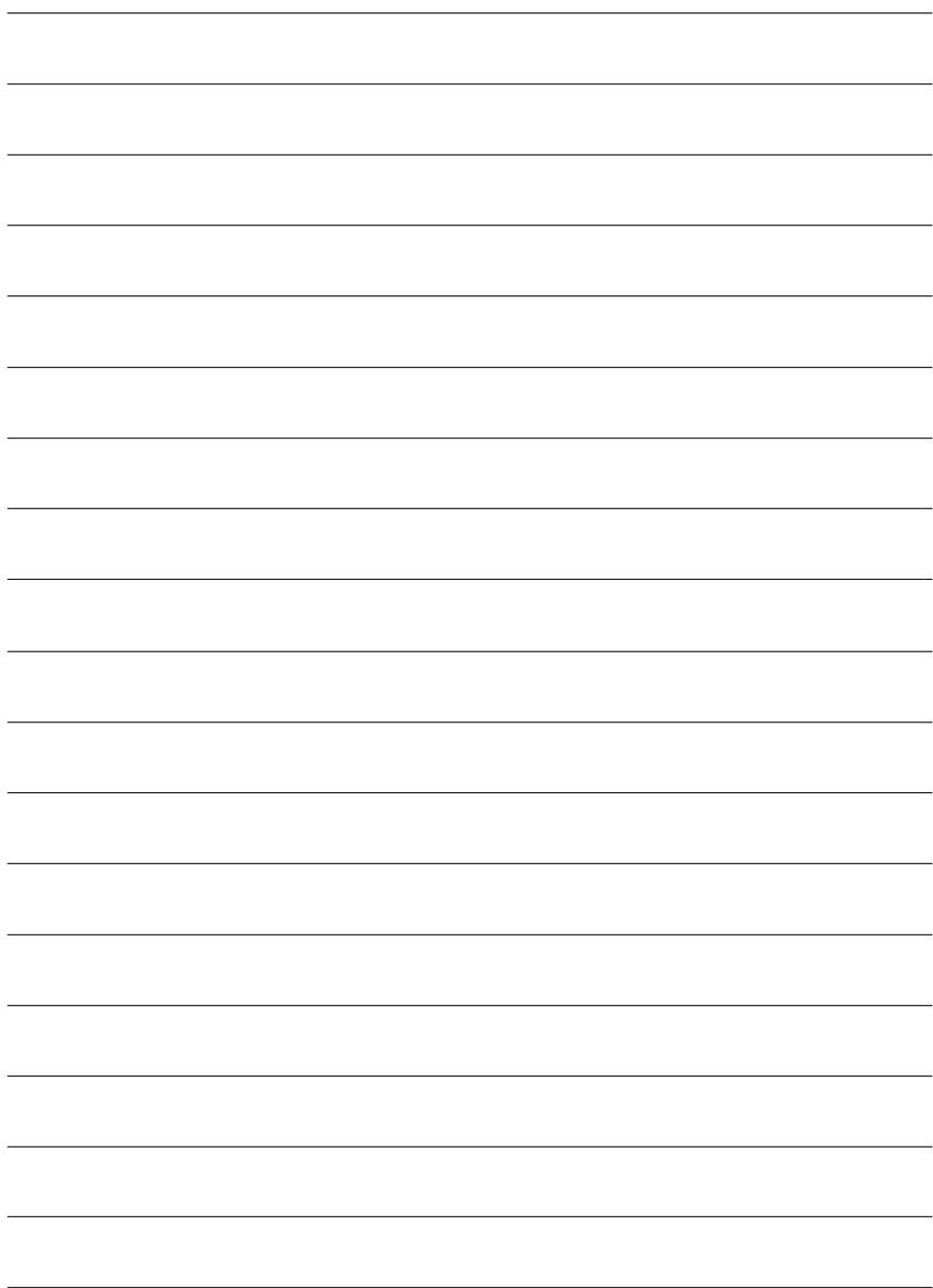
C = knapp FÖRSTA HASTIGHET

D = knapp ANDRA HASTIGHET

E = knapp TREDJE HASTIGHET.

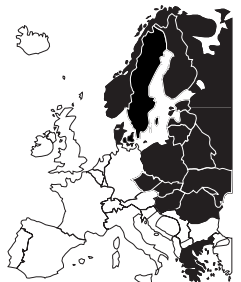
**TILLVERKAREN FRÅNSÄGER SIG ALLT ANSVAR FÖR EVENTUELLA SKADOR SOM ORSAKTS P.G.A. ATT OVANSTÄLENDE INSTRUKTIONER INTE RESPEKTERATS.**











**3LIK0862**