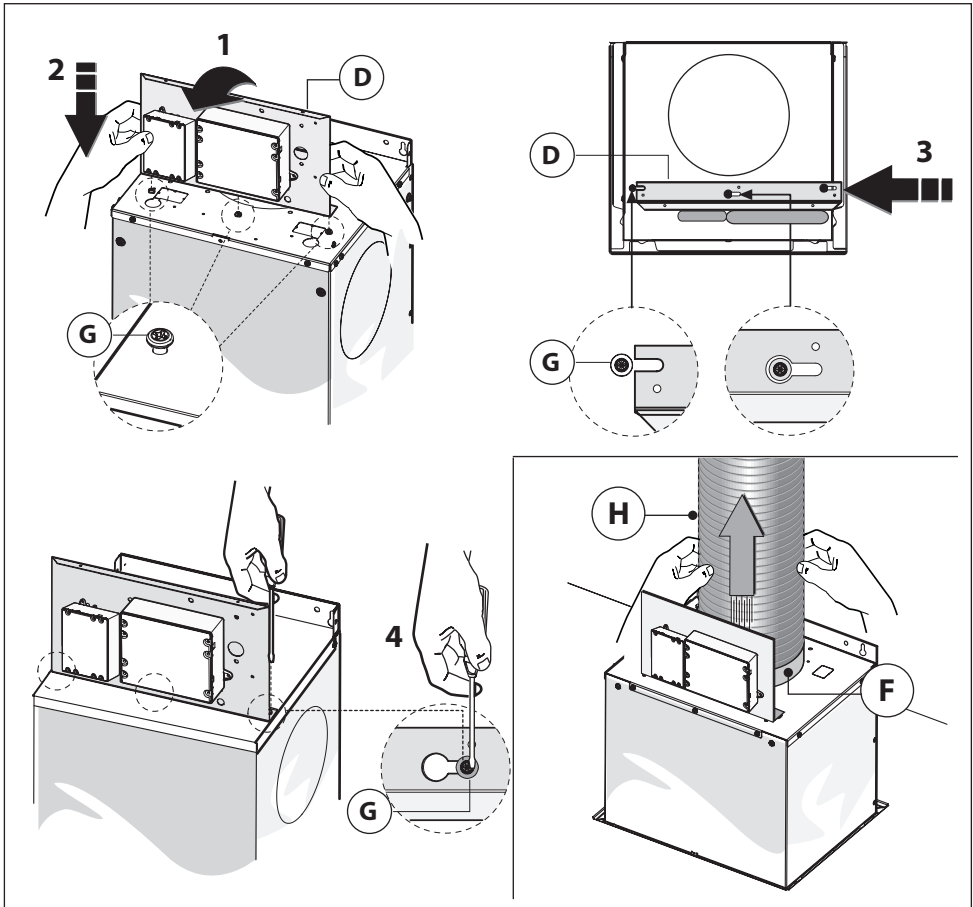
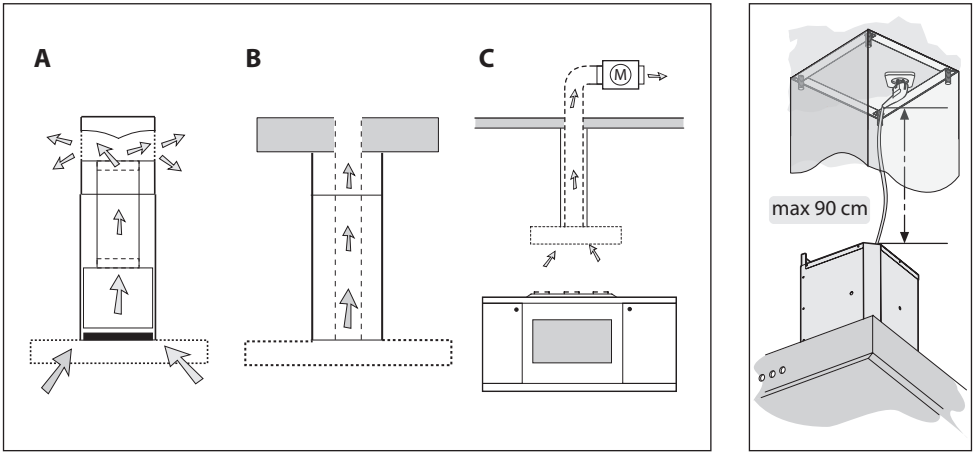


-
- GB** **COOKER HOOD** - User instructions
- CZ** **ODSAVAČ PAR** - Návod k použití
- DK** **EMHÆTTE** - Brugervejledning
- FIN** **LIESITUULETIN** – Käyttöohje
- GR** **ΑΠΟΡΡΟΦΗΤΗΡΑΣ ΣΕ ΕΚΔΟΣΗ ΑΠΟΡΡΟΦΗΣΗΣ** - Εγχειρίδιο χρήσης
- H** **ELSZÍVÓ KÜRTŐ** – Használati utasítás
- N** **AVTREKKSAPPE** – Bruksanvisning
- PL** **OKAP ZASYSAJĄCY** - Instrukcja obsługi
- R** **HOTĂ ASPIRANTĂ** – Manual de utilizare
- RUS** **ВЫТЯЖНОЙ КОЛПАК** - Руководство пользователя
- S** **SPISKÅPA** – Bruksanvisning



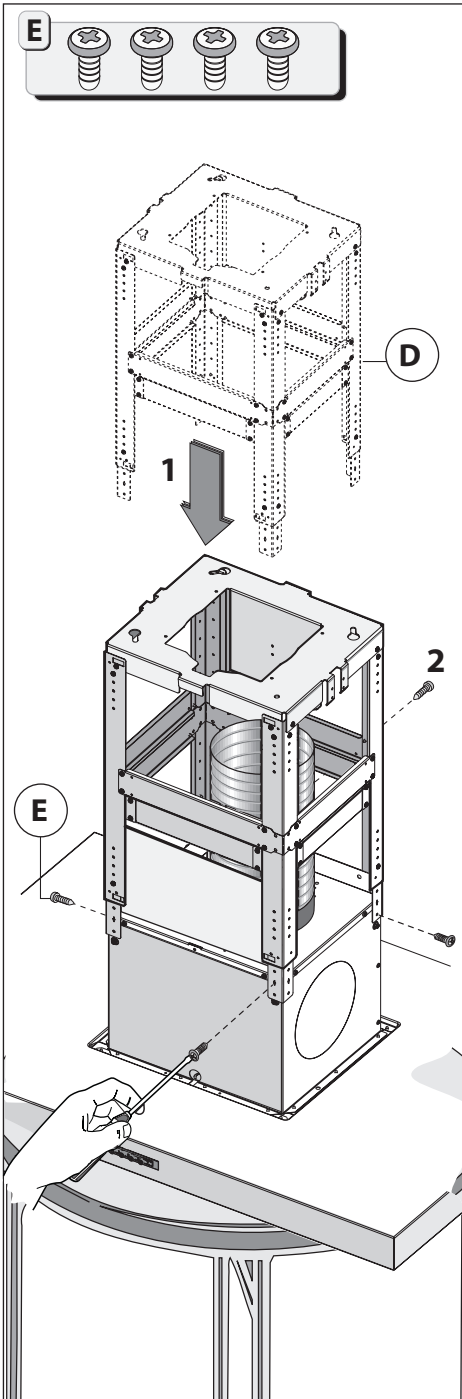


Fig.3

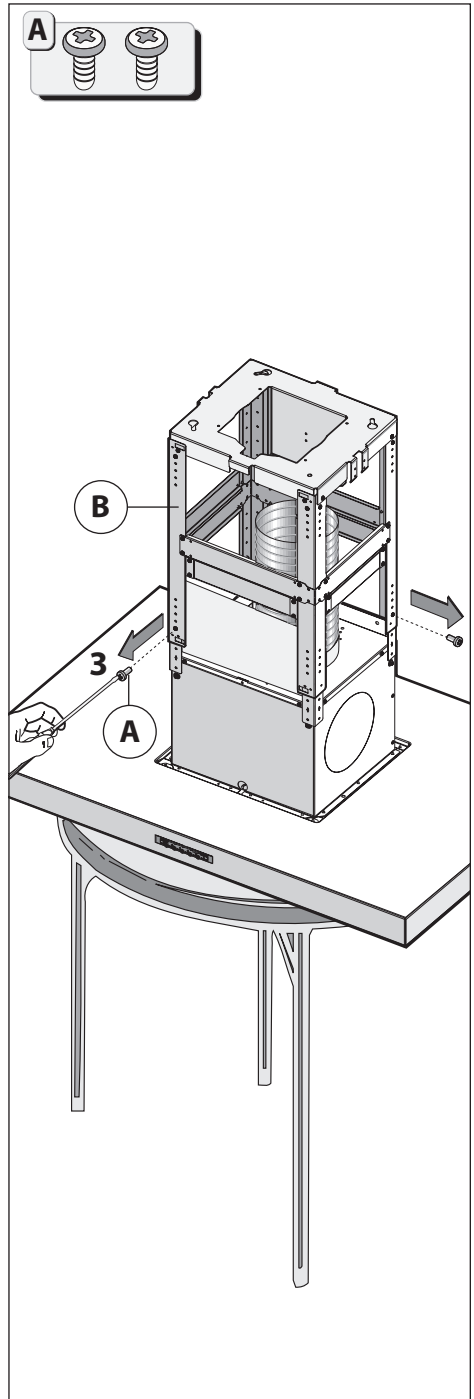


Fig.4

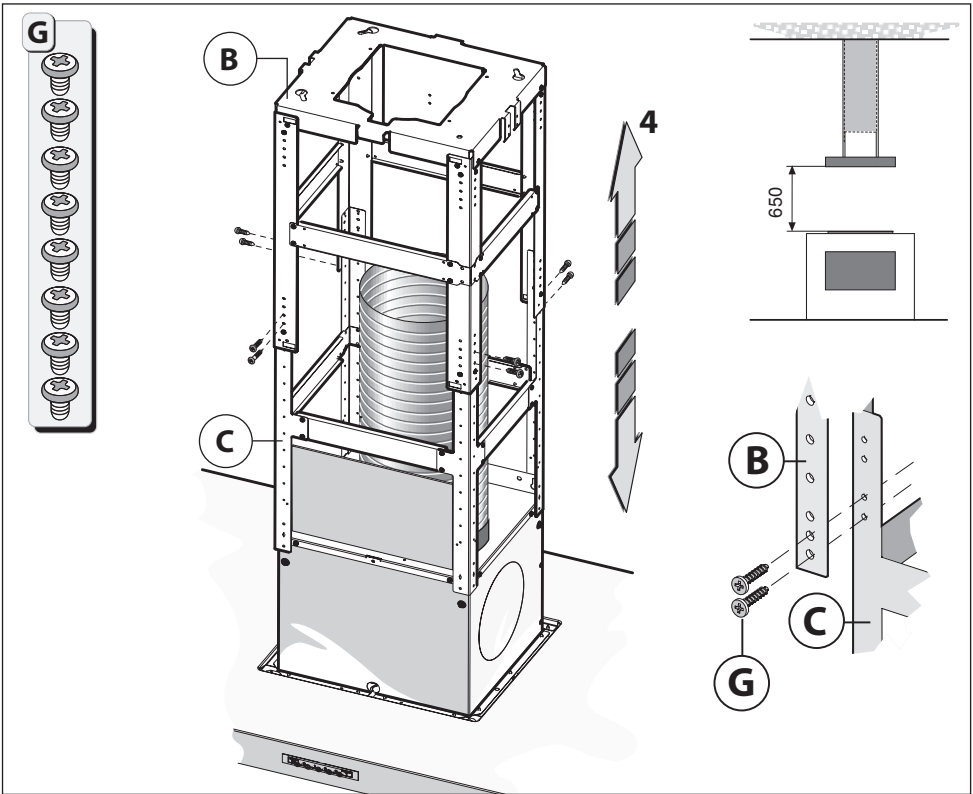


Fig.5

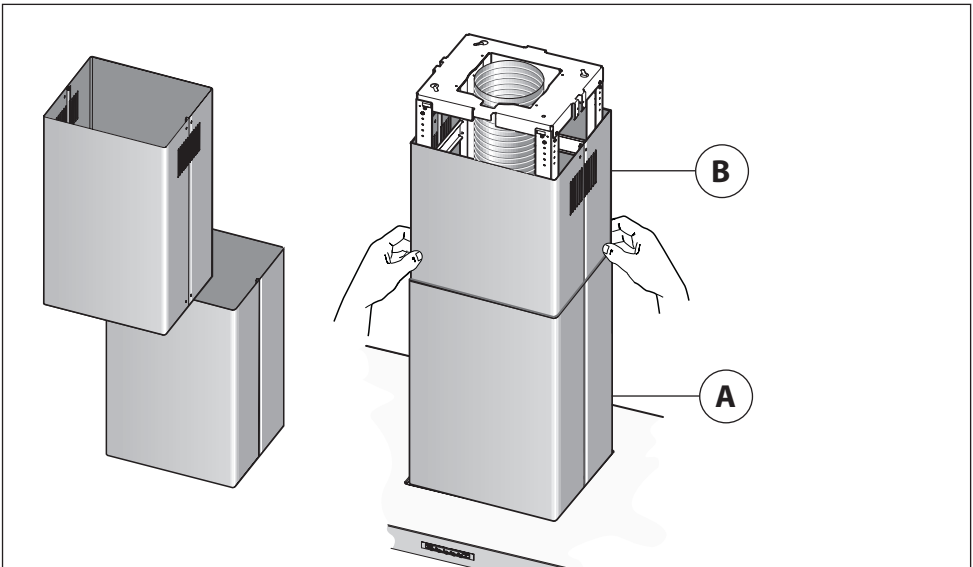


Fig.6

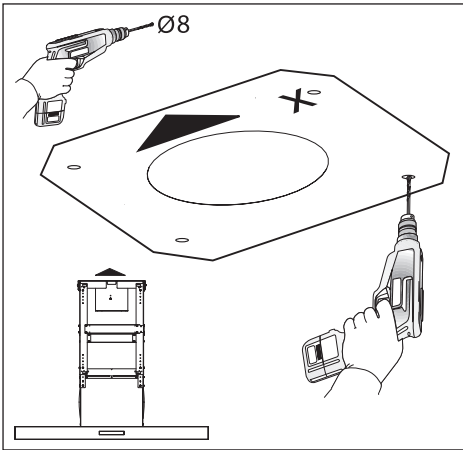


Fig.7

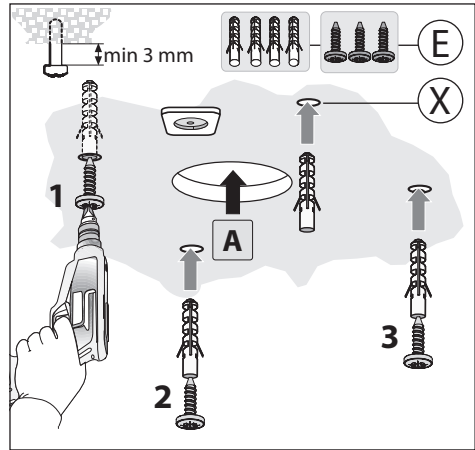


Fig.8

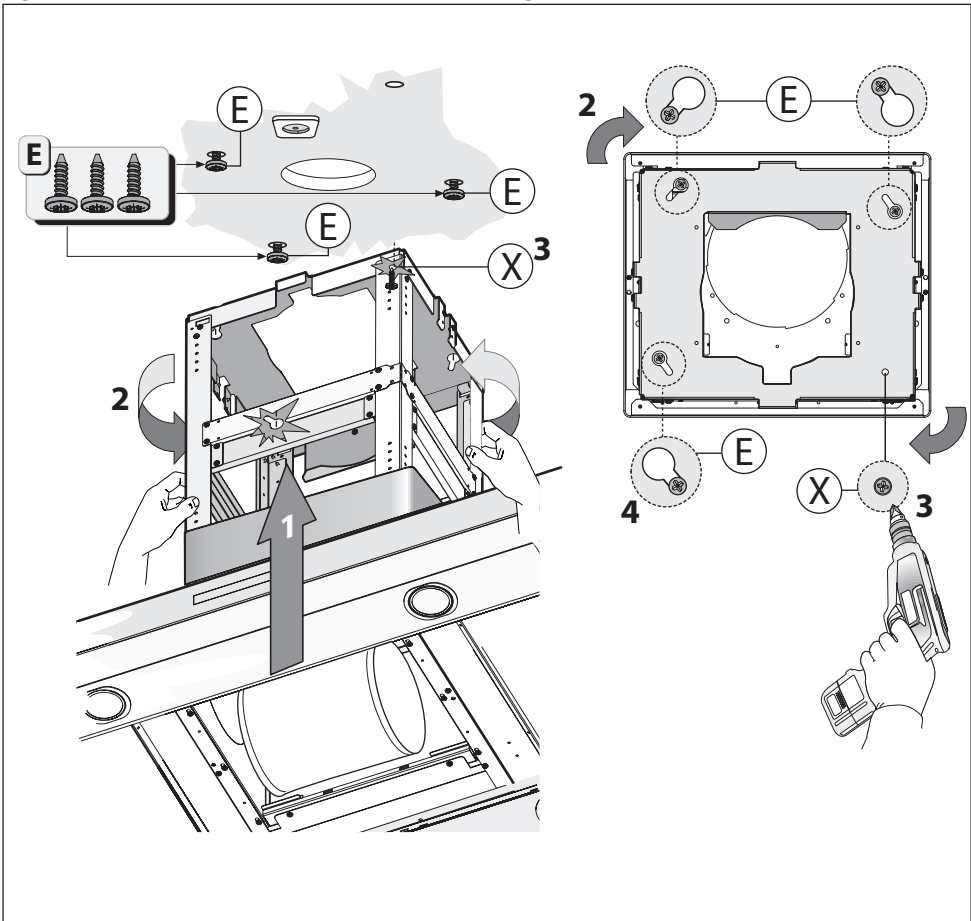


Fig.9

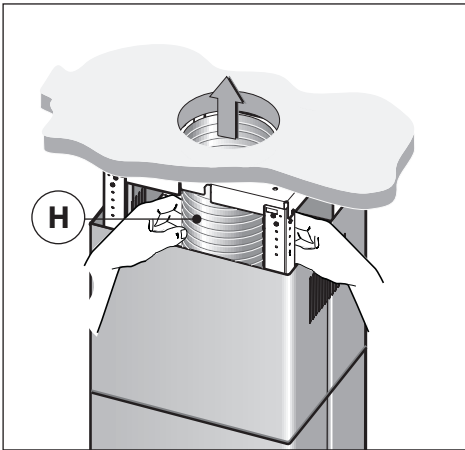


Fig.10

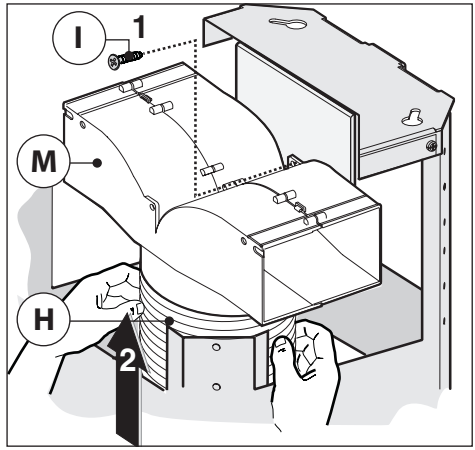


Fig.11

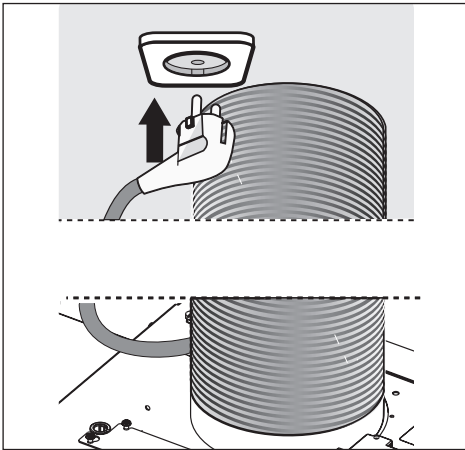


Fig.12

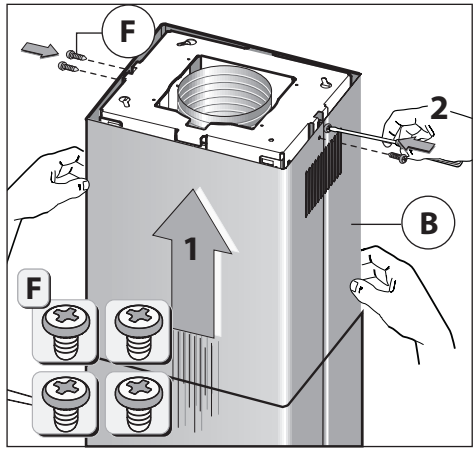


Fig.13

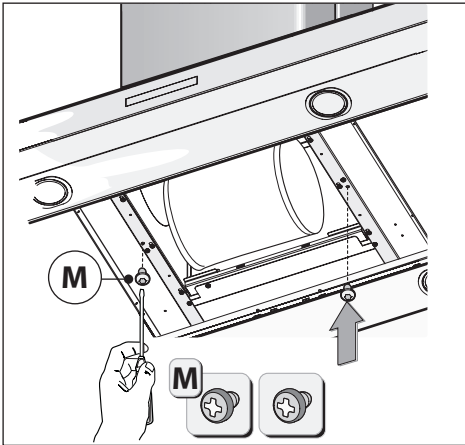


Fig.14

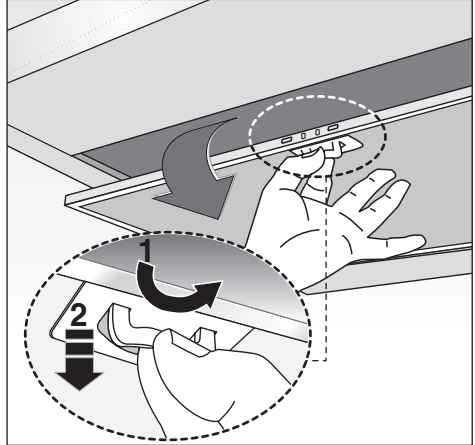


Fig.15

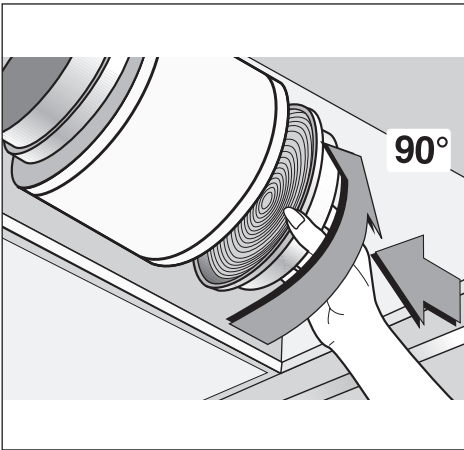


Fig.16

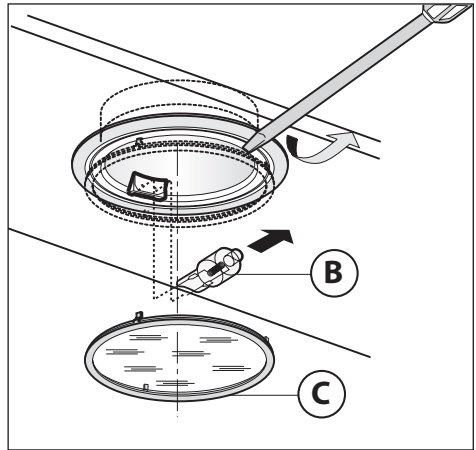


Fig.17

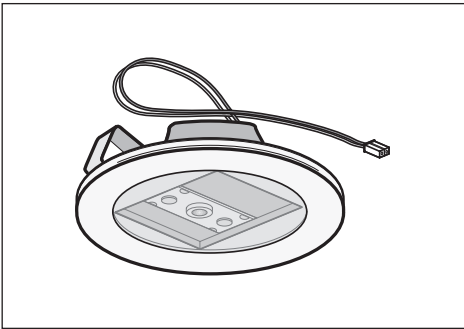


Fig.18

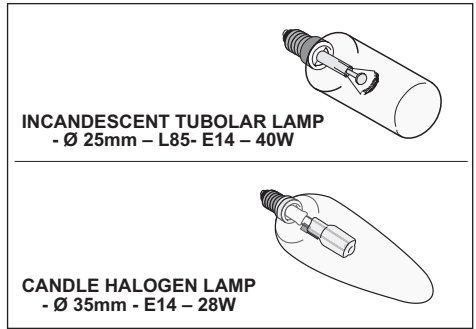


Fig.19

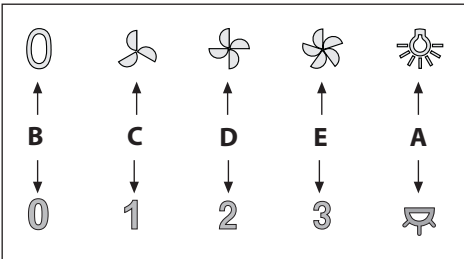


Fig.20

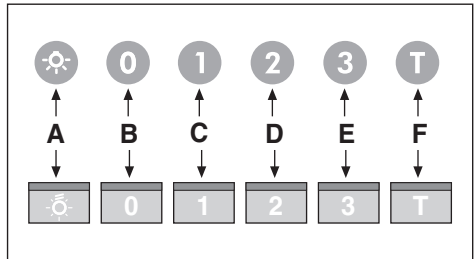


Fig.21

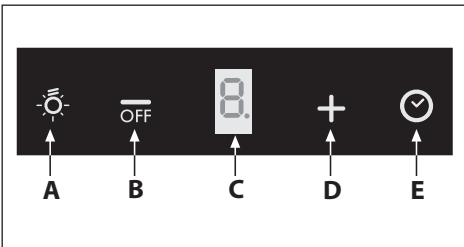


Fig.22

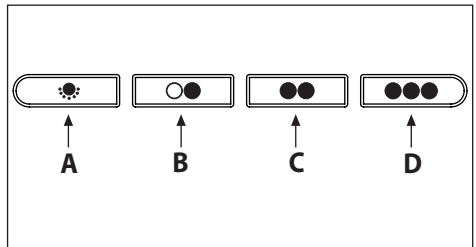


Fig.23

GENERAL

Carefully read the following important information regarding installation safety and maintenance. Keep this information booklet accessible for further consultations.

The appliance has been designed for use in the ducting version (air exhaust to the outside – Fig.1B), filtering version (air circulation on the inside – Fig.1A) or with external motor (Fig.1C).

SAFETY PRECAUTION

1. Take care when the cooker hood is operating simultaneously with an open fireplace or burner that depend on the air in the environment and are supplied by other than electrical energy, as the cooker hood removes the air from the environment which a burner or fireplace need for combustion. The negative pressure in the environment must not exceed 4Pa (4x10⁻⁵ bar). Provide adequate ventilation in the environment for a safe operation of the cooker hood. Follow the local laws applicable for external air evacuation.

Before connecting the model to the electricity network:

-Control the data plate (positioned inside the appliance) to ascertain that the voltage and power correspond to the network and the socket is suitable. If in doubt ask a qualified electrician.

-If the power supply cable is damaged, it must be replaced with another cable or a special assembly, which may be obtained direct from the manufacturer or from the Technical Assistance Centre.

-This device must be connected to the supply network through either a plug fused 3A or hardwired to a 2 phase spur protected by 3A fuse.

2. Warning!

In certain circumstances electrical appliances may be a danger hazard.

A) Do not check the status of the filters while the cooker hood is operating.

B) Do not touch bulbs or adjacent areas, during or straight after prolonged use of the lighting installation.

C) Flambé cooking is prohibited underneath the cooker hood.

D) Avoid free flame, as it is damaging for the filters and a fire hazard.

E) Constantly check food frying to avoid that the over-heated oil may become a fire hazard.

F) Disconnect the electrical plug prior to any maintenance.

G) This appliance is not intended for use by young children or infirm persons without supervision.

H) Young children should be supervised to ensure they do not play with the appliance

I) There shall be adequate ventilation of the room when the rangehood is used at the same time as appliances burning gas or other fuels.

L) There is a risk of fire if cleaning is not carried out in accordance with the instructions.

This appliance conforms to the European Directive EC/2002/96, Waste Electrical and Electronic Equipment (WEEE). By making sure that this appliance is disposed of in a suitable manner, the user is helping to prevent potential damage to the environ-

ment or to public health.



The symbol on the product or on the accompanying paperwork indicates that the appliance should not be treated as domestic waste, but should be delivered to a suitable electric and electronic appliance recycling collection point. Follow local guidelines when disposing of waste. For more information on the treatment, re-use and recycling of this product, please contact your local authority, domestic waste collection service or the shop where the appliance was purchased.

INSTALLATION INSTRUCTIONS

• **Assembly and electrical connections must be carried out by specialised personnel.**
• **Wear protective gloves before proceeding with the installation.**

• Electric Connection:

Note! Verify the data label placed inside the appliance:

-If the symbol appears on the plate, it means that no earth connection must be made on the appliance, therefore follow the instructions concerning insulation class II.

-If the symbol DOES NOT appear on the plate, follow the instructions concerning insulation class I.

Insulation class II

-The appliance has been manufactured as a class II, therefore no earth cable is necessary. The plug must be easily accessible after the installation of the appliance. If the appliance is equipped with power cord without plug, a suitably dimensioned omnipolar switch with 3 mm minimum opening between contacts must be fitted between the appliance and the electricity supply in compliance with the load and current regulations.

-The connection to the mains is carried out as follows:

BROWN = **L** line

BLUE = **N** neutral.

Insulation class I

This is a **class I**, appliance and must therefore be connected to an efficient earthing system.

-The appliance must be connected to the electricity supply as follows:

BROWN = **L** line

BLUE = **N** neutral

YELLOW/GREEN = earth.

The neutral wire must be connected to the terminal with the **N** symbol while the **YELLOW/GREEN**, wire must be connected to the terminal by the earth symbol .

When connecting the appliance to the electricity supply, make sure that the mains socket has an earth connection. After fitting the ducted cooker hood, make sure that the electrical plug is in a position where it can be accessed easily. If the appliance is connected directly to the electricity supply, an omnipolar switch with a minimum contact opening of 3 mm must be placed in between the two; its size must be suitable for the load required and it must comply with current legislation.

• The minimum distance between the support surfaces of the cooking pots on the cooker top and the lowest part of the cooker hood must be at least **65 cm**.

If a connection tube composed of two parts is used, the upper part must be placed outside the lower part. Do not connect the cooker hood exhaust to the same conductor used to circulate hot air or for evacuating fumes from other appliances generated by other than an electrical source. Before proceeding with the assembly operations, remove the anti-grease filter(s) (Fig.15) so that the unit is easier to handle.

-In the case of assembly of the appliance in the suction version prepare the hole for evacuation of the air.

- We recommend the use of an air exhaust tube which has the same diameter as the air exhaust outlet hole. If a pipe with a smaller diameter is used, the efficiency of the product may be reduced and its operation may become noisier.

N.B.!

- Two people are needed to install this product.

Attention!

- Before installing the appliance, fix the electrical box **D**.

- Lift the electrical box and follow **phases 1-2-3** indicated in figure 2.

- Position the bracket in correspondence with the 3 screws **G** already set up on the container and screw them as indicated in phase 4 - figure 2.

- Fix the air exhaust pipe **H** (not included) on the air outlet flange **F** as indicated in figure 2.

• Mounting hood:

- Remove the structure **D** from the packaging and fix it to the motor container with the 4 screws **E** fig.3.

- Remove the 2 screws **A** fastening the upper structure **B** to the lower structure **C** as indicated in fig.4.

- Adjust the desired height paying attention to the quota indicated in figure 5 and block it with the 8 screws **G** provided.

- Couple the lower chimney **A** to the upper one **B** and insert it on the structure as indicated in figure 6.

- Position the perforation template on the ceiling making sure the arrow is positioned on the same side as the appliance control (Fig.7).

- Drill 4 Ø8 holes in the ceiling and tighten the 3 screws without pulling them completely making sure not to insert the screw in the hole marked with an **X** on the perforation template fig.8 (the screws and expansion plugs must be suited for the type of wall).

- Take the hood and insert the upper telescopic structure on the 3 screws **E** not tightened completely corresponding to the 3 slots and turn them slightly to fit them as indicated in figure 9 - phase 1-2.

Tighten the fourth screw **X** and pull the other 3 to permanently block the upper part of the structure **B** as indicated in figure 9 - phase 3-4.

- **Suction version:** Fix the flexible tube to the pre-arranged air exhaust hole (Fig.10).

- **Filtering version:**

-Connect the flexible tube **H** to the deflector **M** and secure the screw **I** as indicated in (Fig.11).

The filters must be applied to the suction unit inside the hood, centring them and turning them 90 degrees until they click stop (Fig.16).

- Perform the electrical connection (fig.12).

- Fix the upper chimney **B** to the structure with the 4 screws **F** (fig.13).

-If the cooker hood is supplied with a lower chimney piece that must be fixed to the hood body with screws, remove the anti-grease filters from the hood by acting on the relevant handles (Fig.15).

-If necessary, fix the lower duct to the hood from the inside, using the screws **P** (Fig.13). Re-locate the filters in their seat.

USE AND MAINTENANCE

- We recommend that the cooker hood is switched on before any food is cooked. We also recommend that the appliance is left running for 15 minutes after the food is cooked, in order to thoroughly eliminate all contaminated air.

The effective performance of the cooker hood depends on constant maintenance; the anti-grease filter and the active carbon filter both require special attention.

- **The anti-grease filter** is responsible retaining the grease particles suspended in the air, therefore it is subject to clogging with variable frequency according to the use of the appliance.

- To prevent the danger of possible fires, at least every 2 months one must wash the anti-grease filters by hand using non-abrasive neutral liquid detergents or in the dishwasher at low temperatures and on short cycles.

- After a few washes, colour alterations may occur. This does not give the right to claim their replacement.

- **The active carbon filters** are used to purify the air that is sent back into the room and its function is to mitigate the unpleasant odours produced by cooking.

- The non-regenerable active carbon filters must be replaced at least every 4 months. The saturation of the active charcoal depends on the more or less prolonged use of the appliance, on the type of kitchen and on the frequency with which anti-grease filter is cleaned.

- Regenerable active charcoal filters must be washed by hand, with non-abrasive neutral detergents, or in the dishwasher at a maximum temperature of 65°C (the washing cycle must be complete without dishware). Remove excess water without damaging the filter, remove the plastic parts, and let the mat dry in the oven for at least 15 minutes approximately at a maximum temperature of 100°C. To keep the regenerable charcoal filter functioning efficient this operation must be repeated every 2 months. These must be replaced at least every 3 years or when the mat is damaged.

- **Before remounting the anti-grease filters and the regenerable active charcoal filters it is important that they are completely dry.**

- **Clean the hood frequently, both internally and externally, using a cloth dampened with denatured alcohol or neutral liquid detergents that are non abrasive.**

- The lighting system is designed for use during cooking and not for the prolonged general lighting of the room. The prolonged use of the lighting system significantly decreases the average duration of the bulbs.

- If the appliance is equipped with courtesy lights it is possible to use them for general room lighting for a prolonged amount of time.

- **Attention:** The non compliance with the hood cleaning warnings and with the replacement and cleaning of the filters entails risk of fires. One therefore recommends keeping to the suggested instructions.

• Replacing halogen light bulbs (Fig.17):

To replace the halogen light bulbs **B**, remove the glass pane **C** using a lever action on the relevant cracks.

Replace the bulbs with new ones of the same type.

Caution: Do not touch the light bulb with bare hands.

• Replacing LED lamps (Fig.18):

If the appliance version is with LED lamps, the intervention of a specialised technician is necessary to replace them.

• **Replacing the halogen/incandescent lamps (Fig.19):**

Only use lamps of the same type and wattage installed on the device.

• **Commands (Fig.20)** mechanical the key symbols are explained below:

A = LIGHT
B = OFF
C = SPEED I
D = SPEED II
E = SPEED III.

• **Commands luminous (Fig.21)** the key symbols are explained below:

A = LIGHT
B = OFF
C = SPEED I
D = SPEED II
E = SPEED III
F = AUTOMATIC STOP TIMER - 15 minutes (*)

If your appliance has the **INTENSIVE** speed function, from speed THREE, press key **E** for 2 seconds and it will be activated for 10 minutes after which it will return to the previously set speed.

When the function is active the LED flashes.

To interrupt it before the 10 minutes have elapsed, press key **E** again.

Some models allow activating this function even with speed one and two.

By pressing key **F** for two seconds (with the hood switched off) the "**clean air**" function is activated. This function switches the appliance on for ten minutes every hour at the first speed. As soon as this function is activated the motor starts up at the first speed for ten minutes. During this time key **F** and key **C** must flash at the same time. After ten minutes the motor switches off and the LED of key **F** remains switched on with a fixed light until the motor starts up again at the first speed after fifty minutes and keys **F** and **C** start to flash again for ten minutes and so on. By pressing any key for the exclusion of the hood light the hood will return immediately to its normal functioning (e.g. if key **D** is pressed the "**clean air**" function is deactivated and the motor moves to the 2nd speed straight away. By pressing key **B** the function is deactivated).

(*) The "**AUTOMATIC STOP TIMER**" delays stopping of the hood, which will continue functioning for 15 minutes at the operating speed set at the time this function is activated.

• **Anti-grease/active charcoal filters saturation:**

-When the **A** key flashes with a **2 second** frequency the anti-grease filters must be washed.

-When the **A** key flashes with a **0.5 second** frequency the active carbon filters must be replaced or washed depending on the type of filter.

Once the clean filter has been put back one must reset the electronic memory by pressing the **A** key for approximately **5 seconds** until it stops flashing.

• **Commands (Fig.22):**

Push-button A = On/Off lights switch.

Push-button B = On/Off cooker hood switch. The appliance switches on at speed level 1, If the cooker hood is on depress the push-button for 2 sec. to switch off the cooker hood. If the cooker hood is at speed level 1 it will not be necessary to depress the push-button to switch the cooker hood off.

Decreases the motor speed.

Display C = Indicates the motor speed level selected and activates the timer.

Push-button D = Switches on the cooker hood. Increases the motor speed. Touching the key at 3rd speed, the intensive function runs for 10'; then the appliance go back to work at the original speed. During this function the display blinks.

Key E = The Timer times the functions on activation for 15 minutes, after which they are switched off. The Timer is deactivated by re-pressing **Key E**. When the Timer is activated the decimal point must flash on the display. The Timer cannot be activated if the intensive speed is functioning.

The "**clean air**" function is activated by pressing key **E** for 2 seconds when the appliance is switched off. This switches the motor on for 10 minutes every hour at the first speed. During functioning a rotary movement of the peripheral segments must be visualised on the display. When this time has passed the motor switches off and the fixed letter "**C**" must be visualised on the display until the motor re-starts after 50 minutes for another 10 minutes and so on. Press any key apart from the light keys to return to normal functioning. Press key **E** to deactivate the function.

• **Active carbon/grease filter saturation:**

-When display item **C** flashes, at a speed where it alternates with the letter **F** (e.g. 1 and **F**), the grease filters must be washed.

-When display item **C** flashes, at a speed where it alternates with the letter **A** (e.g. 1 and **A**), the active carbon filters must be replaced or washed depending on the type of filter.

After the clean filter has been positioned correctly, the electronic memory must be reset by pressing button **A** for approximately **5 seconds**, until the indication **F** or **A** shown on the display **C** stops flashing.

• **Mechanical controls (Fig.23):** the symbols are as follows:

A = LIGHT / ON-OFF key
B = OFF /FIRST SPEED key
C = SECOND SPEED key
D = THIRD SPEED key

If the hood is shut off at first, second or third speed, when it is turned back on, it will start at the same speed it was in when switched off.

THE MANUFACTURER DECLINES ALL RESPONSIBILITY FOR EVENTUAL DAMAGES CAUSED BY BREACHING THE ABOVE WARNINGS.

ÚVOD'

Přečtěte si pozorně obsah návodu, protože poskytuje důležité informace týkající se bezpečné instalace, používání i údržby zařízení. Uchovejte si návod pro jakoukoliv budoucí potřebu. Přístroj je určen k odsávání (odvádění vzduchu ven – Obr.1B), filtrování (recyklace vzduchu v místnosti – Obr.1A) nebo k použití s externě umístěným motorem (Obr.1C).

BEZPECNOSTNÍ OPATŘENÍ

1. Vyžaduje se opatrnost, jestliže jsou současně v činnosti odsavač par a jiný hořák nebo tepelné zařízení závisující na vzduchu místnosti a napájené jinou energií než elektrickou, protože odsavač par spotřebovává vzduch z okolí, který hořák nebo jiné tepelné zařízení potřebují ke spalování. Negativní tlak nesmí překročit 4Pa (4×10^{-5} bar). K bezpečnému provozu je tedy nutná odpovídající ventilace místnosti. Při odvádění vzduchu do vnějšího prostředí je nutné se řídit platnými předpisy Vaší země.

Před napojením modelu na elektrickou síť:

- Zkontrolujte tabulku s údaji umístěnou uvnitř přístroje a ověřte si, že napětí a výkon odpovídají místní síti a rovněž zásuvka je vhodná.

V případě jakékoliv pochyby se poraďte s kvalifikovaným elektrikářem.

- Je-li napájecí kabel poškozen, musí být nahrazen speciálním kabelem nebo sadou, které jsou k dispozici u výrobce nebo v jeho servisním středisku.

- Připojte zařízení k napájení prostřednictvím zástrčky s pojistkou 3A nebo ke dvěma vodičům dvou fází, chráněným pojistkou 3A.

2. UPOZORNĚNÍ!

V některých situacích mohou být elektrická zařízení zdrojem nebezpečí.

A) Nekontrolujte stav filtrů, zatímco je odsavač v činnosti.

B) Nedotýkejte se žárovek a přilehlých prostor během dlouhodobého použití osvětlení nebo bezprostředně po něm.

C) Je zakázáno připravovat jídla na plameni pod odsavačem.

D) Vyhnete se použití volných plamenů, protože poškozují filtry a mohou způsobit požár.

E) Udržujte neustále pod kontrolou smažení jídel, aby se zabránilo vznícení rozpáleného oleje.

F) Před zahájením údržby odpojte zástrčku ze zásuvky elektrického rozvodu.

G) Zařízení není určeno pro použití dětmi nebo nesvéprávnými osobami bez dozoru.

H) Dohlížejte na děti, abyste si byli jisti, že si nehrají se zařízením.

I) Když je odsavač používán současně se zařízeními spalujícími plyn nebo jiná paliva, místnost se musí vhodně větrat.

L) Když nebudou řádně provedeny úkony údržby, existuje riziko vzniku požáru.

Toto zařízení je označeno v souladu s Evropskou směrnicí 2002/96/ES, Waste Electrical and Electronic Equipment (WEEE). Tím, že se uživatel ujistí o správné likvidaci tohoto výrobku, přispívá k předcházení případným negativním následkům na

životní prostředí a na zdraví.



Symbol na výrobku nebo na příložené dokumentaci poukazuje na to, že se s tímto výrobkem nesmí zacházet jako s běžným domovním odpadem, ale musí se odeslat do vhodné sběrný určené pro recyklaci elektrických a elektronických zařízení. Zařízení se musíte zbavit v souladu s místními předpisy pro likvidaci odpadu. Podrobnější informace o zacházení s tímto výrobkem, jeho opětovným použitím a recyklací můžete získat, když se obrátíte na příslušný místní úřad, sběrnou službu domovního odpadu nebo obchod, ve kterém jste výrobek zakoupili.


NÁVOD K INSTALACI


• **Operace spojené s montáží a elektrická napojení musí být provedeny pouze odborným personálem.**

• **Používat ochranné rukavice pro provádění operací montáže.**

Elektrické zapojení:

Poznámka! Zkontrolujte štítek umístěný uvnitř zařízení:

- Když se na štítku nachází symbol , znamená to, že zařízení nesmí být uzemněno, postupujte tudíž podle pokynů týkajících se třídy izolace II.

- Když na štítku NEŇI uveden symbol , postupujte dle pokynů týkajících se třídy izolace I.

Třída izolace II

Zařízení je vyrobeno v II. třídě, a proto žádný vodič nesmí být uzemněn.

Po instalaci zařízení musí být zástrčka snadno přístupná.

V případě, že je zařízení vybaveno kabelem bez zástrčky, je pro jeho připojení do elektrického rozvodu třeba mezi zařízení a elektrický rozvod zapojit omnipolární stykač s minimální vzdáleností kontaktů 3 mm, navržený pro příslušnou zátěž a odpovídající platným normám.

Napojení k elektrické síti musí být provedeno následovně:

HNĚDÁ = L vodič

MODRÁ = N neutrální vodič.


Třída izolace I


Toto zařízení je vyrobeno ve třídě I, a proto musí být připojeno k uzemnění.

Připojení k elektrické síti musí být provedeno následovně:

HNĚDÝ = L fázový vodič

MODRÝ = N nulový vodič

ŽLUTO/ZELENÝ =  zemnicí vodič.

Nulový vodič musí být připojen ke svorce označené symbolem **N**, zatímco **ŽLUTO/ZELENÝ** vodič musí být připojen ke svorce nacházející se v blízkosti symbolu uzemnění .

Během operace elektrického zapojení se ujistěte, zda je elektrická zásuvka vybavena uzemněním. Po uskutečnění montáže odsavače dávejte pozor, aby byla poloha zástrčky elektrického přívodu snadno dostupná. V případě přímého zapojení k elektrické síti je třeba mezi zařízení a elektrickou síť zapojit omnipolární stykač s minimální vzdáleností kontaktů 3 mm, navržený pro příslušnou zátěž a odpovídající platným normám.

• Minimální vzdálenost mezi opěrnou plochou varných nádob na varném zařízení a nejnižším bodem kuchyňského krytu musí být alespoň **65 cm**. Vývod odsavače nesmí být napojen na vývod, ve kterém cirkuluje teplý vzduch, nebo který je po-

užíván k odvádění kouře ze zařízení napájených jinou energií než elektrickou. Před zahájením montáže vyjměte z odsavače tukový filtr (Obr.15). Usnadněte si tak manipulaci s přístrojem.
- V případě montáže přístroje ve verzi odsavače je třeba připravit otvor k evakuaci vzduchu.

• Doporučuje se použít trubku pro odvádění vzduchu se stejným průměrem jako hrdlo výstupu vzduchu. Použití redukce by mohlo negativně ovlivnit vlastnosti výrobku a zvýšit hluknost.

Poznámka!

- Pro instalaci tohoto výrobku je nezbytná pomoc druhé osoby.

Pozor!

- Před pokračováním v instalaci přístroje upevněte krabici elektrického zařízení **D**.

- Nadzvedněte krabici a vykonajte **fáze 1-2-3** znázorněny na obrázku 2.

- Umístěte podpěrnou tyč v odpovědnosti 3 šroubů **G** již předurčených na pouzdru a zašroubujte je jak je znázorněno ve fázi 4 - obrázek 2.

- Upevněte hadici na odvádění vzduchu **H** (není ve vybavení) na přírubu výstupu vzduchu **F** jak je znázorněno na obrázku 2.

• Montáž odsavače par:

- Vyjměte strukturu z obalu **D** a upevněte ji k pouzdru motoru pomocí 4 šroubů **E** obr.3.

- Odstraňte 2 šrouby **A**, které upevňují horní část struktury **B** k dolní části **C** jak je znázorněno na obr.4.

- Nastavte požadovanou výšku a dávejte přitom pozor na kóty, uvedeny na obrázku 5 a zablokujte ji pomocí 8 šroubů **G** ve vybavení.

- Přidajte dolní komín **A** k hornímu **B** a zasuňte je do struktury, jak je znázorněno na obrázku 6.

- Umístěte šablonu pro děrování otvorů na strop a dávejte přitom pozor, aby se šipka nacházela na stejné straně jako ovládací panel přístroje (Obr.7).

- Udělejte 4 otvory Ø8 na stropu a zašroubujte bez dotáhnutí 3 šrouby. Dávejte přitom pozor, abyste nevložili šroub do otvoru označeného **X** na děrovací šabloně obr.8 (šrouby a roztahovací hmoždinky musejí odpovídat typu zdíva).

- Vemte odsavač par a zasuňte horní teleskopickou strukturu na 3 šrouby **E** v odpovědnosti 3 oček; nezašroubujte je až na doraz a jemně strukturu pootočte, aby lépe dosedla jak je znázorněno na obrázku - fáze 1-2.

Zašroubujte čtvrtý šroub **X** a dotáhněte zbylé 3 šrouby pro definitivní upevnění horní části struktury **B** jak je znázorněno na obrázku 9 - fáze 3-4.

- **Odsávací verze:** Upevněte flexibilní hadici k již předurčenému otvoru odvádění vzduchu (Obr.10).

- Filtrační verze:

- Připojte flexibilní hadici **H** k deflektoru **M** a upevněte šroubem **I** jak je znázorněno na (Obr.11).

Filtry se musí montovat na odsávací jednotku umístěnou uvnitř odsavače par, je nutné je vycentrovat a otočit o 90 stupňů až do jejich zapadnutí (Obr. 16).

- Vykonejte elektrické zapojení (obr.12).

- Upevněte horní komín **B** ke struktuře pomocí 4 šroubů **F** (Obr.13).

- Pokud je váš přístroj vybaven spodním komínem, který vyžaduje upevnění k tělesu krytu pomocí šroubů, odstraňte z krytu protitukové filtry pomocí určených rukojetí (Obr.15).
- V případě potřeby připevněte zevnitř spodní komín k odsavači s použitím šroubů **P** (Obr.13). Nakonec uveďte protitukové filtry do jejich původní polohy.

POUŽITÍ A ÚDRŽBA

• Doporučujeme uvést zařízení do činnosti ještě před zahájením přípravy jakéhokoliv jídla. Doporučujeme ponechat zařízení v činnosti i po dobu 15 minut po ukončení přípravy jídel, aby byl kompletně odveden zapáchající vzduch. Správná činnost odsavače je podmíněna správnou a nepřetržitou údržbou; zvláštní pozornost je třeba věnovat protitukovému filtru a filtru s aktivním uhlím.

• **Protitukový filtr** má za úkol zachycovat mastné částice nacházející se ve vzduchu, proto je v průběhu proměnné doby vystaven ucívání; tato doba závisí na používání zařízení.

- Abyste předešli případnému nebezpečí požáru, je nutné nejméně jednou za dva měsíce nutné propláchnout filtry proti mastnotě v ruce pomocí neutrálních neabrazivních čistících prostředků nebo v myčce na nádobí při nízkých teplotách v krátkém mycím programu.

- Po několika mytích může dojít ke změně barvy. Tento jev neopravňuje k reklamaci po eventuální výměně.

• **Filtry s aktivním uhlíkem** slouží pro pročistění vzduchu, který se vypouští do prostředí a pohlucují nepříjemné zápachy, které vznikají během vaření.

- Aktivní uhlíkové filtry, které nelze regenerovat, je zapotřebí měnit každé 4 měsíce. Saturace aktivního uhlíku závisí více-méně od délky používání přístroje, typu kuchyně a pravidelnosti, se kterou se provádí čištění filtru proti mastnotě.

- Aktivní uhlíkové filtry, které lze regenerovat, je možné mýt v ruce pomocí čistících neutrálních a neabrazivních prostředků, anebo je možné je mýt v myčce na nádobí s maximální teplotou 65°C (cyklus mytí se musí provádět bez nádobí). Odstraňte přebytek vody bez toho, že byste poškodili filtr, odstraňte části z plastů a nechte vysušit podložku v rouře po dobu přibližně 15 minut o teplotě maximálně 100°C. Pro udržování funkčnosti uhlíkového filtru s možností regenerace je zapotřebí zopakovat tuto operaci každé 2 měsíce. Tyto filtry se musí vyměnit jednou za 3 roky anebo když je podložka poškozena.

• **Před opětovným namontováním filtru proti mastnotě a aktivních uhlíkových filtrů, které lze regenerovat, je důležité, aby byli pořádně suché.**

• **Opakovaně čistěte odsavač, zevnitř i zvenčí, s použitím hadru navlhčeného v denaturovaném lihu nebo neabrazivních tekutých čistících prostředcích.**

• Osvětlení je navrženo pro použití během vaření a ne pro dlouhodobější použití za účelem osvětlení okolního prostředí. Dlouhodobější použití osvětlení výrazně snižuje průměrnou životnost žárovek.

• Pokud je přístroj vybaven osvětlením prostředí, toto může být používáno pro všeobecné dlouhodobé osvětlování daného prostředí.

• **Pozor:** nedodržování pokynů k čištění odsavače a výměny a čištění filtrů zapříčiní rizika požáru. Doporučuje se proto dodržovat tyto pokyny.

• Výměna halogenových žárovek (Obr.17):

Při výměně halogenových žárovek **B** sejměte skříčko **C** po jeho nadzvednutí v místě příslušných otvorů. Žárovky nahradte novými žárovkami stejného druhu.

Upozornění: nedotýkejte se žárovky holýma rukama.

• Výměna žárovek LED (Obr.18):

Je-li verze výrobku vybavena žárovkami **LED** pro jejich výměnu je potřebný zásah specializovaného technika.

• Výměna výbojkových žárovek/halogenových žárovek (Obr.19):

Používejte pouze žárovky stejného typu a výkonu jako žárovky

nainstalované na přístroji.

• **Povelý Mechanické (Obr.20):**

A = przycisk OŚWIETLENIE

B = przycisk WŁĄCZENIE

C = przycisk PIERWSZA PRĘDKOŚĆ

D = przycisk DRUGA PRĘDKOŚĆ

E = przycisk TRZECIA PRĘDKOŚĆ.

• **Ovládání světelné následuje přehled symbolů (Obr.21):**

Tlačítko A = OSVĚTLENÍ

Tlačítko B = VYPNUTÍ

Tlačítko C = PRVNÍ RYCHLOST

Tlačítko D = DRUHÁ RYCHLOST

Tlačítko E = TŘETÍ RYCHLOST

Tlačítko F = ČASOVÝ SPÍNAČ AUTOMATICKÉ VYPNUTÍ 15 minut (*)

Pokud je vaše zařízení již vybaveno funkcí **VYSOKÉ** rychlosti, pak při přepnutí na třetí rychlost a stisku tlačítka **E** po dobu 2 sekund bude na deset minut tato vysoká rychlost aktivována, a potom se zařízení vrátí k provozu na dříve nastavenou rychlost. Když je funkce aktivní, kontrolka LED bliká.

Pro přerušení režimu před uplynutím 10 minut znovu stiskněte tlačítko **E**.

U některých modelů je možno funkci aktivovat také na první a druhé rychlosti.

Po stisknutí tlačítka **F** po dobu 2 s (kryt je vypnut) bude aktivována funkce "clean air". Tato funkce zapne motor na deset minut každou hodinu na první rychlost. Jakmile bude tato funkce aktivována, motor bude uveden do chodu na první rychlost po dobu 10 s, během které budou blikat současně tlačítka **F** a **C**. Po uplynutí této doby se motor vypne a led tlačítka **F** zustane osvětlen až do doby, kdy po 50 minutách bude znovu motor uveden do chodu na první rychlost a led **F** a **C** znovu začnou blikat po 10 minut a tak dále. Stisknutím kteréhokoliv tlačítka, kromě tlačítek osvětlení, se odsavač vrátí ke svému normálnímu fungování (např. stisknutím tlačítka **D** se deaktivuje funkce "clean air" a motor se nastaví na 2^o rychlost; stisknutím tlačítka **B** se funkce deaktivuje).

(*) Funkce "ČASOVÝ SPÍNAČ AUTOMATICKÉ VYPNUTÍ" opožďuje vypnutí odsavače, který bude pokračovat ve funkci pracovní rychlosti, která byla nastavena v okamžiku zapnutí této funkce, 15 minut.

• **Nasycení protitukových filtrů/filtrů s aktivním uhlím:**

-Blikání tlačítka **A** frekvencí 2sek. poukazuje na potřebu umytí protitukových filtrů.

-Když tlačítko **A** bliká s frekvencí 0,5 sek., filtry s aktivním uhlíkem je třeba umýt nebo vyměnit v závislosti od typu filtru.

Po vložení čistého filtru je třeba vynulovat elektronickou paměť stisknutím tlačítka **A** na dobu přibližně 5 sek., dokud tlačítko nepřestane blikat.

• **Ovládání (Obr.22):**

Tlačítko A = Rozsvítí/zhasne světla.

Tlačítko B = Zapne/vypne odsavač. Přístroj je uveden do chodu při první rychlosti. Je-li odsavač zapnutý, vypněte jej stisknutím tlačítka na 2 sek. Pokud se odsavač nachází ve fázi první rychlosti, není nezbytné dlouze stisknout tlačítko za účelem vypnutí. Snižuje se rychlost motoru.

Displej C = Ukazuje zvolenou rychlost motoru a uvedení do chodu časového spínače.

Tlačítko D = Zapne odsavač. Zvyšuje rychlost motoru. Stiskne-li se tlačítko od třetí rychlosti, je nastavena intenzivní

funkce na 10 vteřin, pak se přístroj vrátí do fáze pracovní rychlosti v okamžiku uvedení do chodu. Během této funkce displej bliká.

Tlačítko E = Časovač slouží k časovému ovládání funkcí v průběhu 15 minut po jeho aktivaci; po uplynutí uvedené doby se tyto funkce vypnou. Vypnutí časovače se provádí stisknutím tlačítka **E**. Aktivace funkce časovače musí být signalizována blikáním desetinné tečky na displeji. Je-li aktivována intenzivní rychlost, aktivace časovače není možná.

Stisknutím tlačítka **E** na 2 sekundy při vypnutém zařízení se aktivuje funkce "clean air". V rámci této funkce se motor zapne každou hodinu na 10 minut a během této doby se bude otáčet první rychlostí. Během jeho činnosti bude na displeji zobrazen rotační pohyb obvodových segmentů. Po uplynutí uvedené doby dojde k vypnutí motoru a na displeji musí být zobrazeno písmeno "C", aniž by blikalo, dokud nebude po uplynutí dalších 50 minut motor znovu spuštěn na 10 minut, a tak dále. Pro návrat k normálnímu provozu stiskněte jakékoliv tlačítko kromě tlačítek světla. Pro deaktivaci funkce stiskněte tlačítko **E**.

• **Nasycení protitukových filtrů/filtrů s aktivním uhlím:**

-Když displej **C** bliká a střídavě zobrazuje provozní rychlost a písmeno **F** (např. 1 a **F**), je třeba vyčistit protitukové filtry.

-Když displej **C** bliká, mění rychlost provozu s písmenem **A** (např. 1 a **A**) znamená to, že uhlíkové filtry je třeba vyměnit nebo vyčistit v závislosti od typu filtru.

Po vložení čistého filtru je třeba vynulovat elektronickou paměť stisknutím tlačítka **A** na dobu přibližně 5 sek., dokud signalizace **F** nebo **A** na displeji **C** nepřestane blikat.

• **Mechanické ovládání (Obr.23) :** symboly jsou uvedeny následovně:

A = tlačítko SVĚTLO / ON-OFF

B = tlačítko OFF / PRVNÍ RYCHLOST

C = tlačítko DRUHÁ RYCHLOST

D = tlačítko TŘETÍ RYCHLOST

Dojde-li k vypnutí odsavače par v první, druhé nebo třetí rychlosti, v okamžiku jeho opětovného zapnutí bude pokračovat v provozní rychlosti, která byla nastavena v momentě jeho vypnutí.

VÝROBCE ODMÍTÁ JAKOUKOLIV ZODPOVĚDNOST ZA ŠKODY ZPŮSOBENÉ NEDODRŽENÍM UVEDENÝCH UPOZORNĚNÍ.

GENERELLE OPLYSNINGER

Læs omhyggeligt indholdet af denne brugsanvisning, da den giver vigtige oplysninger vedrørende sikkerheden ved installation, brug og vedligeholdelse. Opbevar brugsanvisningen til senere brug. Apparatet er udarbejdet til at kunne fungere; udsugende (udledning af luft til eksterne omgivelser Fig.1B) filtrerende (intern cirkulation af luft Fig.1A) og med udvendig motor (Fig.1C).

OPLYSNINGER VEDRØRENDE SIKKERHED

1. Udvis forsigtighed hvis der samtidigt med emhætten er en varmekilde eller flamme i funktion, som er afhængig af luften i omgivelserne og forsynet med energi, der ikke er elektrisk, eftersom emhætten fjerner den luft fra omgivelserne, som flammen eller varmekilden har brug for til forbrænding. Det negative tryk i lokalet må ikke overstige 4 Pa (4x10⁻⁵ bar). For størst mulig sikkerhed, sørg for en passende ventilation af rummet. Hvad angår udsugningen til eksterne omgivelser følg de gældende normer.

Før modellen tilsluttes el-nettet:

- Kontrollér informationsetiketten (placeret indeni apparatet), for at sikre, at spændingen og styrken er i overensstemmelse med el-nettet og at stikkontakterne er egnede. Hvis De er i tvivl, konsultér en kvalificeret elektriker.
- Hvis forsyningsledningen er beskadiget, skal den udskiftes med en ledning eller en særlig samling fra fabrikanten eller et autoriseret servicecenter.
- Tilslut forsyningsenheden ved hjælp af et stik med en 3A sikring eller til de to tofaseledninger, som er beskyttet af en 3A sikring.

2. Pas på!

I nogle situationer kan elektriske apparater udgøre en fare.

- A) Undgå at kontrollere filtrens tilstand mens emhætten er i funktion.
- B) Rør ikke ved pærer eller tilstødende områder under eller lige efter længerevarende brug af belysningsanlægget.
- C) Det er ikke tilladt at tilberede madvarer for åben ild under emhætten.
- D) Undgå åben ild, da det kan beskadige filtrene og medføre fare for brand.
- E) Hold altid øje med maden under friturestegning for at undgå, at olien antændes.
- F) Træk stikket ud af stikkontakten, inden der foretages vedligeholdelse.
- G) Apparatet må ikke bruges af børn eller af personer, der ikke har de mentale eller fysiske egenskaber til korrekt brug, uden overvågning.
- H) Hold øje med børnene for at sikre, at de ikke leger med apparatet.
- I) Når emhætten anvendes samtidigt med apparater, der bruger gas eller andre brændstoffer, skal rummet have tilstrækkelig udluftning.
- L) Hvis rengøring ikke udføres i overensstemmelse med anvisningerne, kan det medføre brandfare.

Dette apparat er udviklet i overensstemmelse med det europæiske direktiv 2002/96/EF om affald af elektrisk og elektronisk udstyr (WEEE). Ved at sikre sig, at dette produkt

bortskaffes på korrekt vis, bidrager brugeren til at forhindre eventuelle negative miljømæssige og sundhedsmæssige påvirkninger.




Symbolen på produktet eller på dokumentationen, der følger med produktet, angiver, at produktet ikke skal behandles som husholdningsaffald, men at det skal bortskaffes på passende vis på genbrugsstationer til elektriske og elektroniske apparater. Apparatet skal bortskaffes i overensstemmelse med de gældende regler for bortskaffelse af affald. For yderligere oplysninger om håndtering, genvinding og genbrug af dette produkt, bedes man kontakte de lokale myndigheder, teknisk forvaltning eller forretningen, hvor produktet er købt.


INSTRUKTION VED INSTALLERING

• **Monteringen og udførelsen af de elektriske forbindelser, skal udføres af specialiseret personale.**
• **Inden man går frem med monteringen, skal man iføre sig beskyttelsesudrustning.**

• Den elektriske forbindelse:

Bemærk! Kontrollér typeskiltet inden i apparatet.

- Hvis der på skiltet findes symbolet , betyder det, at apparatet ikke skal jordes. Følg anvisningerne for isoleringsklasse II.

- Hvis der på skiltet IKKE vises symbolet , skal man følge anvisningerne for isoleringsklasse I.

Isoleringsklasse II

Apparatet er udarbejdet i klasse II, derfor skal der ikke tilsluttes et kabel til jordforbindelsen.

Man skal nemt kunne nå ind til stikket efter installation af apparatet.

Hvis apparatet er udstyret med ledning uden stik, skal man ved tilkobling til strømforsyningen sørge for, at der mellem apparatet og strømforsyningen er installeret en flerpolet afbryder med en åbning på minimum 3 mm mellem kontakterne, som passer til belastningen og overholder de gældende regler.

Tilslutning til el-nettet skal udføres som følgende:

BRUN = L Linje

BLÅ = N Neutral.

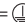
Isoleringsklasse I

Dette apparat er konstrueret i klasse I og skal derfor tilsluttes til et stik med jordforbindelse.

Tilslutningen til strømforsyningen skal udføres på følgende måde:

BRUN = L Linje

BLÅ = N Neutral

GUL/GRØN =  jord.

Den neutrale ledning skal tilsluttes til klemrækken med symbolet **N** mens den **GUL/GRØNNE** skal tilsluttes til klemrækken ud for jordsymbolet .

Når den elektriske tilslutning udføres, skal man sikre sig, at strømstikket har jordforbindelse. Efter montering af emhætten skal man sikre sig, at stikkontakten nemt kan nås. Ved direkte tilslutning til strømforsyningen skal der mellem apparatet og strømforsyningsnettet monteres en flerpolet afbryder med en minimumsafstand mellem kontakterne på 3 mm, der kan klare belastningen og overholder de gældende regler.

• Minimums distancen mellem kogeoverfladen, målt fra selve kogepladerne, og den nederste del af emhætten, skal være mindst **65 cm**. Hvis der anvendes et forbindelsesrør bestående af to eller flere dele, skal den øverste del placeres udenpå den nederste.

Tilslut ikke udledningen fra emhætten med et rør, hvori der cirkulerer varm luft eller som anvendes til at udløse røg fra apparater, der ikke bruger elektrisk energi. Inden man begynder monteringen fjernes filtret (Fig.15) for at gøre håndteringen af apparatet lettere.

- I de tilfælde, hvor apparatet skal installeres i en udsugende version, forberedes åbningen til udledning af luft.

• Det anbefales at anvende en luftudsugningslange med samme diameter som luftudgangshullet. Hvis der anvendes en mindre slange, kan det forringe produktets ydelse og medføre øget støj.

Bemærk !

- Det kræver to personer at installere emhætten.

OBS !

- Inden emhætten monteres, skal el-boksen **D** fastgøres.
- Løft el-boksen og udfør **trin 1-2-3**, som angivet i figur 2.
- Anbring beslaget ud for de 3 skruer **G** på boksen og skru dem fast, som angivet i trin 4 - figur 2.
- Fastgør luftudtagsrøret **H** (medleveres ikke) på luftudtagsflangen **F**, som angivet i figur 2.

• Montering af emhætten:

- Tag rammen **D** ud af emballagen og fastgør den til motorboksen med de 4 skruer **E** fig.3.

- Fjern de 2 skruer **A**, der fastgør den øverste del **B** til den nederste **C**, som angivet i fig.4.

- Indstil den ønskede højde og vær opmærksom på højden angivet i figur 5. Fastgør ved hjælp af de 8 medleverede skruer **G**.
- Sæt den nederste skorsten **A** sammen med det øverste **B** og indsæt dem på rammen, som angivet i figur 6.

- Anbring boreskabelonen på loftet og sørg for at pilen placeres i samme side som apparatets betjeningskaster (Fig.7).

- Lav 4 huller på Ø8 i loftet og skru de 3 skruer i uden at stramme dem helt. Vær opmærksom på ikke at indsætte skruen i huller, der er mærket med et **X** på boreskabelonen fig.8 (skruerne og rawlplugsene skal passe til murtypen).

- Tag emhætten og indsæt den øverste teleskopenhed på de 3 skruer **E**, der ikke er skruet helt fast, så de passer med de 3 huller og drej en smule for at fastgøre, som angivet i figur 9 - trin 1-2.

Skru den fjerde skrue **X** fast og stram de resterende 3 for at blokere rammen **B**'s øverste del endeligt, som angivet i figur 9 - trin 3-4.

- **Udsugende version:** Fastgør flexslangen til luftudtagshullet (Fig.10).

- Filtrere version:

- Forbind flexslangen **N** til deflektoren **M** og stram skruen **I** som angivet i (Fig.11).

Filtrene skal sættes på den udsugende gruppe indvendigt i emhætten, centeres omkring den og drejes 90°, indtil den klikker på plads (Fig.16).

- Foretag den elektriske forbindelse (fig.12).

- Fastgør den øverste skorsten **B** til rammen ved hjælp af de 4 skruer **F** (fig.13).

- Hvis, Deres apparat er udstyret med en nedre skorstensdel, som skal fastgøres til emhættedelen ved hjælp af skruer, fjern da filtrene til opslugning af fedt, ved tryk på lukkemekanismen på emhætten (Fig.15).

- Fastgør om nødvendigt den nederste emhætteaftdækning

ved hjælp af skrueerne **P** (Fig.13). Sørg for til sidst at genbringe filtrene i emhætten igen.

BRUG OG VEDLIGEHOLDELSE

• Det anbefales, at apparatet sættes i funktion, inden man begynder tilberedningen af madvarer.

Det anbefales, at lade emhætten køre i 15 minutter efter endt tilberedning, så al mados suges ud. Korrekt funktion af emhætten afhænger af en korrekt og jævnlig vedligeholdelse. Man skal især være opmærksom med at udskifte fedtfilteret og det aktive kulfilter.

• **Fedtfilteret** har til opgave at tilbageholde de fedtpartikler, der findes i luften. Filteret vil derfor blive tilstoppet med tiden, alt efter hvor ofte emhætten anvendes.

- For at forebygge faren for eventuelle brande skal fedtfilteret mindst hver 2. måned vaskes i hånden med flydende neutrale ikke slibende rengøringsmidler eller i opvaskemaskine ved lav temperatur og kort program.

- Efter nogle vaske kan der forekomme farveændringer. Dette giver ikke ret til at kræve udskiftning af filtrene.

• **De aktive kulfiltre** renser luften, der gendledes i omgivelserne, og tjener til at dæmpe ubehagelige lugte, som dannes ved madtilberedning.

- De ikke-regenerende aktive kulfiltre skal udskiftes mindst hver 4. måned. Mætningen af det aktive kul afhænger af den mere eller mindre længerevarende brug af emhætten, af hvilken slags mad der tilberedes og af regelmæssigheden af rengøringen af fedtfilteret.

- De regenererende aktive kulfiltre skal vaskes i hånden med flydende neutrale ikke slibende rengøringsmidler eller i opvaskemaskine ved højst 65°C (vaskecyklussen skal være komplet uden anden opvask i maskinen). Fjern overskydende vand uden at ødelægge filtret, fjern plastikdelene og tør filtermatten i ovnen i mindst 15 minutter ved en temperatur på højst 100°C.

For at opretholde det regenererende aktive kulfilters effektive funktion skal denne operation foretages hver 2. måned. Filtrene skal udskiftes mindst hvert 3. år, eller når filtermatten er beskadiget.

• **Det er vigtigt, at fedtfilterne og de regenererende aktive kulfiltre er helt tørre, inden de genmonteres.**

• **Emhætten skal rengøres jævnlige, både indvendigt og udvendigt, med en klud opvædet i denatureret alkohol eller et neutralt, ikke slibende rengøringsmiddel.**

- Lyset er beregnet til brug under tilberedning af mad og ikke til generel oplysning af lokalet. Længerevarende brug af lyset vil reducere lyspærrernes gennemsnitlige levetid betydeligt.

• Hvis apparatet er forsynet med **rumoplysning**, kan dette anvendes til længerevarende generel oplysning af lokalet.

• **Pas på:** manglende udførsel af udskiftning og rengøring af filtrene medfører brandfare. Det anbefales derfor at overholde de foreslåede instruktioner.

• Udskiftning af halogenpærer (Fig.17):

For at udskifte halogenpærerne **B** skal man fjerne glasset **C** ved at trykke på rillerne.

Udskift pærerne med pærer af samme type.

Vær opmærksom: rør ikke ved pæren med bare hænder.

• Udskiftning af LED lamperne (Fig.18):

Hvis apparatets version er udstyret med **LED** lamper, skal disse udskiftes af en specialiseret tekniker.

• Udskiftning af glødepærer/halogenpærer (Fig.19):

Der må kun anvendes pærer af samme type og med samme watt-tal som dem, der er installeret på apparatet.

• **Betjening-senhed (Fig.20) mekaniske** er følgende tegnforklaring gældende:

A = tast for BELYSNING

B = tast for OFF

C = tast for FØRSTE HASTIGHED

D = tast for ANDEN HASTIGHED

E = tast for TREDJE HASTIGHED.

• **Betjening-senhed lysende (Fig.21)** er følgende tegnforklaring gældende:

A = tast for BELYSNING

B = tast for OFF

C = tast for FØRSTE HASTIGHED

D = tast for ANDEN HASTIGHED

E = tast for TREDJE HASTIGHED

F = tast for TIMER AUTOMATISK STOP 15 minutter (*)

Hvis Deres apparat har funktionen **INTENSIV** hastighed, slås denne til i 10 minutter, hvorefter den slår tilbage på den tidligere indstillede hastighed, ved fra TREDJE hastighed at holde tasten **E** inde i cirka 2 sekunder.

LED-lyset blinker, når funktionen er slået til.

Tryk på tasten **E** igen for at afbryde funktionen inden de 10 minutter er gået.

På nogle modeller er det også muligt at aktivere funktionen ved første og anden hastighed.

Ved at trykke på knappen **F** i 2 sekunder (ved slukket emhætte) aktiveres funktionen "**clean air**". Denne funktion tænder motoren i 10 minutter pr. time ved laveste hastighed. Så snart funktionen er igangsat starter motoren ved første hastighed i 10 minutter, og under dette forløb skal lamperne ved knap **F** og knap **C** blinke samtidigt. Når tiden er gået standser motoren og kontrollampen ved knap **F** forbliver tændt uden at blinke indtil der er gået endnu 50 minutter, hvor motoren igen starter ved første hastighed, og lamperne ved **F** og **C** igen begynder at blinke samtidigt i 10 minutter, og så fremdeles. Ved at trykke hvilken som helst tast, undtagen lysene, vil emhætten gå tilbage til standard funktion (f. eks. ved at trykke på tast **D** deaktiveres funktion "**clean air**" og motoren indstilles på 2^o hastighed; ved at trykke på tast **B** deaktiveres denne funktion).

(*) Funktionen "**TIMER AUTOMATISK STOP**" forsinker standsning af hættens, som vil fortsætte med at være tændt (i 15 minutter) med den driftshastighed, der var i kraft i det øjeblik funktionen blev tilsluttet.

• **Mætning af fedtfilter/aktive kulfilter:**

-Når tasten **A** blinker med **2 sek.** mellemrum, skal fedtfilterene rengøres.

-Når tasten **A** blinker med **0,5 sek.** mellemrum, skal de aktive kulfiltere vaskes eller udskiftes afhængigt af filtertypen.

Når filteret er sat på plads igen, skal den elektroniske hukommelse nulstilles ved at holde tasten **A** nede i ca. **5 sek.** indtil den stopper med at blinke.

• **Betjening-senhed (Fig.22):**

Tast A = Tænder/slukker lysene.

Tast B = Tænder/slukker emhætten. Apparaten tændes på 1. hastighed. Hvis emhætten er tændt skal man trykke på tasten i 2 sek. for at slukke. Hvis emhætten er indstillet på 1. hastighed er det ikke nødvendigt at holde tasten trykket for at slukke. Sænker motorhastigheden.

Display C = Viser den valgte motorhastighed og aktivering af timer'en.

Tast D = Tænder emhætten. Øger motorhastigheden. Ved tryk på tasten fra 3. hastighed tændes den intensive funktion i 10

minutter, hvorefter apparatet vender tilbage til at fungere med den almindelige hastighed, der var indstillet det øjeblik, hvor den intensive funktion blev tændt. Under denne funktion blinker displayet.

Tast E = Når timeren aktiveres, indstiller den funktionerne til at fortsætte i 15 minutter, hvorefter de slukkes. Timeren slås fra ved at trykke på tasten **E**. Når funktionen Timer er tændt, blinker decimaltallet på displayet. Hvis funktionen til indstilling af hastighed er aktiveret, fungerer funktionen Timer ikke. Hvis tasten **E** trykkes ned i 2 sekunder, når emhætten er slukket, aktiveres funktionen "**clean air**". Denne funktion tænder motoren i 10 minutter for hver time på første hastighedstrin. Når funktionen er aktiveret, viser displayet en drejende bevægelse af de omgivende segmenter. Når tiden er gået, slukker motoren igen, og på displayet vises bogstavet "**C**", indtil motoren igen efter 50 minutter aktiveres i 10 minutter og så videre. For at vende tilbage til normal funktion trykkes på en hvilken som helst knap bortset fra lysknappen. Funktionen deaktiveres ved at trykke på tasten **E**.

• **Mætning af fedtfilter/aktive kulfilter:**

-Når displayet **C** blinker, og ændrer blæserhastigheden, med bogstavet **F** (f.eks.1 og **F**), skal fedtfilterene rengøres.

-Når displayet **C** blinker og veksler mellem blæserhastigheden og bogstavet **A** (f.eks.1 og **A**), skal de aktive kulfiltere vaskes eller udskiftes afhængigt af filtertypen.

Når filteret er sat på plads igen, skal den elektroniske hukommelse nulstilles ved at holde tasten **A** nede i ca. **5 sek.** indtil bogstaverne **F** eller **A** stopper med at blinke på displayet **C**.

• **Manuelle betjeningstaster (Fig.23)** : herunder gengives symbolerne:

A = LYS-tast/ ON-OFF

B = OFF-tast/ FØRSTE HASTIGHED

C = tast for ANDEN HASTIGHED

D = tast for TREDJE HASTIGHED

Hvis emhætten slukkes, mens den står på første, anden eller tredje hastighed, vil den starte på samme hastighed, som da den blev slukket, når den tændes igen.

FABRIKANTEN FRALÆGGER SIG ETHVERT ANSVAR FOR SKADER FORÅRSAGET AF MANGLENDE OVERHOLDELSE AF OVENSTÅENDE ADVARSLER.

YLEISTÄ

Lue ohjekirja huolellisesti, sillä se sisältää tärkeätä tietoa laitteen turvallisesta asennuksesta, käytöstä ja huollosta. Säilytä ohjekirja tulevaa tarvetta varten.

Laitte on suunniteltu toimimaan joka imevänä versiona (ilman poisto ulos - Kuva 1B), suodattavana versiona (ilman kierrätys sisällä - Kuva 1A) tai ulkoisella moottorilla toimivana versiona (Kuva 1C).

TURVAOHJEITA

1. Erityistä huomiota tulee kiinnittää siihen, ettei liesituuletin ole käytössä samanaikaisesti kuin tulipesä tai liesi, jotka ovat riippuvaisia huoneilmasta ja jotka käyttävät jotain muuta energianlähdettä kuin sähköä.

Liesituuletin poistaa huoneilasta ilmaa, jota tulipesä tai liesi tarvitsevat polttamiseen. Huoneilman negatiivinen ilmanpaine ei saa ylittää 4Pa (4x10⁻⁵ bar). Huoneilmat on siis tuuletettava asianmukaisesti tuulettimen toiminnan varmistamiseksi. Ulkoista poistoa koskien tulee noudattaa asianomaisessa maassa voimassaolevia määräyksiä.

Ennen kuin yhdistät mallin säköverkkoon:

- Huomioi sen tunnuskilvessä (löytyy laitteen sisäpuolelta) olevat tiedot tarkistaen että virran jännite ja voima vastaavat verkostoa, ja että pistorasia on sopiva. Jos olet epävarma ota yhteys pätevään sähkömieheen.

- Jos liitäntäjohto on vahingoittunut, se on vaihdettava laitteen valmistajan tai tämän teknisen huoltohenkilöstön toimesta uuteen liitosjohtoon tai sitä vastaavaan.

- Liitä laite sähkönsyöttöön pistokkeella, jossa on sulake (3 A), tai kaksivaiheisen järjestelmän kahteen johtoon, jotka on suojattu sulakkeella (3 A).

2. Varoitus!

Tietyissä tilanteissa sähkölaitteet voivat aikaansaada vaaratilanteen.

A) Älä tarkista suodattimien tilaa, kun liesituuletin on toiminnassa.

B) Älä kosketa lampuihin tai niiden lähialueille valaistuslaitteiston käytön aikana tai välittömästi sen käytön jälkeen.

C) On kielletty liekittämästä ruokia liesituulettimen alla

D) Vältä avotulta, koska ne vahingoittavat suodattimia ja voivat aiheuttaa tulipaloja.

E) Tarkkaile jatkuvasti öljyssä paistettavia ruokia, jotta kiehuva öljy ei syty tuleen.

F) Irrota pistoke pistorasiasta ennen huollon suorittamista.

G) Laitetta ei ole suunniteltu lasten tai vajaakykyisten käytettäväksi ilman valvontaa.

H) Valvo lapsia, jotta he eivät leiki laitteen kanssa.

I) Kun liesituuletinta käytetään samanaikaisesti laitteiden kanssa, jotka polttavat kaasua tai muita polttoaineita, huolehdi tilojen riittävästä ilmanvaihdosta.

L) Jos puhdistustoimenpiteitä ei suoriteta ohjeiden mukaisesti, on olemassa tulipalovaara.

Tämä laite on merkitty EU:n Waste Electrical and Electronic Equipment (WEEE) -direktiivin 2002/96/EC mukaisesti. Käyttäjä osallistuu mahdollisten terveydelle ja ympäristölle haitallisten seurausten ehkäisemiseen hävittäessään laitteen

asianmukaisella tavalla.




Laitteen pakkauksessa mukana oleviin asiakirjoihin merkitty -merkki osoittaa ettei kyseinen laite kuulu talousjätteisiin, vaan se on varta vasten toimitettava sähkö- ja elektroniikkalaiteromun keräyspisteeseen kierrätystä varten. Hävitä laite noudattamalla paikkakuntasi jätehuoltoon koskevia säädöksiä. Lisätietoja tämän laitteen keräyksestä, käsittelystä ja kierrätyksestä ota yhteys paikkakuntasi jätehuoltoon, talousjätteiden keräyspisteseen tai liikkeeseen josta laite on hankittu.

ASENNUSOHJEET

• **Asennus ja sähköliitäntä on suoritettava siihen pätevän erikoishenkilöstön toimesta.**

• **Käytä suojakäsineitä ennen kuin aloitat asennustoimenpiteiden suorittamisen.**

• Sähköinen liitäntä:

-Jos kilvessä on tunnus , tämä tarkoittaa sitä, että laitetta ei tarvitse maadoittaa. Noudata siten eristysluokkaa II koskevia ohjeita.

-Jos kilvessä  ole tunnusta , noudata eristysluokkaa I koskevia ohjeita.

Eristysluokka II

Laitte on rakennettu II-luokassa, eivätkä kaapelit sen vuoksi saa olla liitetyjä maajohtoon.

Pistoke tulee olla helposti saavutettavissa laitteen asennuksen jälkeen.

Mikäli laite on varustettu johdolla ilman pistoketta, sen liittäminen sähköverkkoon tulee laitteen ja verkon väliin asentaa moninapainen virrankatkaisija, jossa kontaktien minimiväli on 3 mm ja joka on mitoitettu kuormituksen mukaan ja joka on voimassa olevien määräysten mukainen.

Liitännät sähköverkkoon on tehtävä seuraavalla tavalla:

RUSKEA = L linja

SININEN = N neutraali.

Eristysluokka I


Tämä laite on valmistettu luokassa I, ja se on siksi kytkettävä maadoitettuun pistokkeeseen.

Sähköverkkoon kytkeminen on suoritettava seuraavien ohjeiden mukaisesti:

RUSKEA = L linja

SININEN = N neutraali

KELTAINEN/VERDE =  maadoitus.

Neutraali johto on kytkettävä N-symbolilla merkittyyn napaan ja **KELTAINEN/VIHREÄ** johto on liitettävä maadoitusymbolia lähellä olevaan napaan .

Sähköliitännän yhteydessä on varmistettava että pistorasiassa maadoitettu pistoke. Liesituulettimen asennuksen jälkeen on varmistettava että sähköliitäntäpistoke on helposti saatavilla. Suorassa liitännässä sähköverkkoon, on laitteen ja verkon väliin laitettava moninapainen virrankatkaisija, jossa kontaktien minimiväli on 3 mm ja joka on mitoitettu kuormituksen mukaan ja joka on voimassaolevien määräysten mukainen.

• Keittopinnan kattilankannattimien ja hellakuvun minimiäisyyden on oltava vähintään **65 cm**. Mikäli joudutaan käyttämään kaksi- tai useampiosaista liitosputkea, on ylempään osaan oltava alemman ulkopuolella. Poistoilmaa ei saa johtaa kuumailmahormiin tai hormiin, jota käytetään

KÄYTTÖ JA HUOLTO

savun poistamiseen laitteista, jotka toimivat jollakin muulla energianlähteellä kuin sähköllä. Ennen kuin alat koota laitetta, irrota rasvasuodatin/-suodattimet (Kuva 15): näin laitetta on helpompi käsitellä.

- Jos asennetaan imevä hellakupu on ensin tehtävä ilmanpoistoaukko.

• Suositellaan käyttämään ilmanpoistoputkea, jonka halkaisija vastaa ilman ulostuloaukon mittoja. Pienentävien sovituskappaleiden käyttö voi alentaa tuotteen toimintatulosta ja lisätä meluisuutta.

Huomautus!

- Tämän tuotteen asennukseen vaaditaan toisen henkilön apua.

Huomio!

- Ennen laitteen asentamista, suorita sähkölaitteiston **D** kotelon kiinnittäminen.

- Nosta sähkölaitteiston koteloa ja noudata **vaiheita 1-2-3**, jotka on osoitettu kuvassa 2.

- Aseta kannatin 3 ruuvin kohdalle **G**, jotka on jo laitettu laattikkoon ja ruuvaa ne vaiheessa 4 - kuva 2 osoitettuun tapaan.

- Kiinnitä ilman poistoputki **H** (ei kuulu varustuksiin) ilman ulostuloa olevaan laippaan **F**, kuvassa 2 osoitettuun tapaan.

• Liesituulettimen asentaminen:

- Ota rakenne **D** pois pakkauksesta ja kiinnitä se moottorin sylinteriin 4 ruuvilla **E** kuva 3.

- irrota 2 ruuvia **A**, jotka pitävät ylärakennetta **B** kiinnitettyinä alarakenteeseen **C** kuvassa 4 osoitettuun tapaan.

- Säädä haluttu korkeus huomioimalla kuvassa 5 osoitettu arvo ja lukitse se 8 varustuksiin kuuluvilla ruuveilla **G**.

- Yhdistä alempi hormi **A** ylempään hormiin **B** ja aseta ne rakenteeseen kuvassa 6 osoitettuun tapaan.

- Aseta poraukseen kuuluva malline huomioimalla, että nuoli asettuu samalle puolelle laitteen ohjauspuolen kanssa (Kuva 7).

- Poraa 4 Ø8 n aukkoa kattoon ja ruuvaa 3 ruuvia vetämättä niitä kokonaan ja huomioimalla että X-merkillä osoitettuun mallineessa olevaan aukkoon ei aseteta ruuvia kuva 8 (ruuvien ja laajennuspulttien tulee sopia seinämateriaaliin).

- Tartu liesituulettimeen ja aseta ylempi teleskooppirakenne 3 ruuvin päälle E. Älä ruuvaa kokonaan 3 aukon kohdalla ja kiertä hivenen saadakseen ne kytkeytymään kuvassa 9 vaihe 1-2 osoitettuun tapaan.

Ruuvaa neljäs ruuvi X ja vedä 3 jäljelle jäävää ruuvia, jotta ne saadaan lopullisesti lukittuun rakenteen **B** päälle kuvassa 9 vaihe 3-4 osoitettuun tapaan.

- **Imurimalli:** Kiinnitä joustava putki tarkoitusta varten valmistettuun ilman poistoaukkoon (Kuva 10).

- Suodattava malli:

- Liitä joustava putki **H** ilman suuntauslevyyn **M** ja kiinnitä ruuvilla **I** kuvassa 11 osoitettuun tapaan. Ne on kiinnitettävä liesituulettimen sisällä olevaan imuysikköön keskittämällä ja kääntämällä niitä 90 astetta, kunnes ne kytkeytyvät paikoilleen (Kuva 16).

- Suorita sähköliitäntä (kuva 12).

- Kiinnitä päällä oleva hormi **B** rakenteeseen 4 ruuvin avulla **F** (kuva 13).

- Jos laitteenne on varustettu hormin alaosalla joka on kiinnitettävä hellakupuun ruuveilla, poista kuvasta rasvankeräys-suodattimet käyttäen tarkoitukseen olevia kahvoja (Kuva 15).

- Mikäli tarpeen kiinnitä sisäpuolelta alahormi liesituulettimeen käyttäen ruuveja **P** (Kuva 13). Aseta lopuksi suodattimet paikoilleen.

• Suositellaan käynnistämään laite ennen minkä tahansa ruuan kypsennyksen aloittamista.

On suositeltavaa antaa laitteen toimia vielä 15 minuuttia käytön jälkeen, jotta ruoanvalmistuksesta aiheutuneet käryt saadaan kokonaan pois huoneilasta.

Liesituulettimen hyvä toiminta riippuu oikeasta ja säännöllisestä huollosta; erityistä huomiota tulee kiinnittää rasvasuodattimeen ja aktiivihiilisuodattimeen.

• **Rasvasuodattimen** tehtävänä on pidättää ilmassa leijuvat rasvahiukkaset ja siksi se on altis tukkeutumaan ajanjaksossa, jonka pituus vaihtelee laitteen käytön mukaan.

- Tulipalovaaran ennaltaehkäisemiseksi, pese rasvasuodattimet käsin vähintään 2 kuukauden välein neutraaleja ja hankaamattomia pesuaineita käyttämällä tai astianpesukoneessa alhaisessa lämpötilassa ja lyhyellä pesuohjelmalla.

- Muutamien pesukertojen jälkeen voi syntyä värinmuutoksia. Tämä ei oikeuta valituksen kautta osien mahdolliseen vaihtoon.

• **Aktiivihiilisuodattimia** käytetään ilman puhdistamiseen, joka palautetaan huoneeseen ja jonka tehtävänä on vähentää ruoanvalmistuksen aikana syntyviä epämiellyttäviä hajuja.

- Ei regeneroitavat aktiivihiilisuodattimet tulee vaihtaa korkeintaan 4 kuukauden välein. Aktiivihiilen kyllästyminen riippuu laitteen käyttöajasta, ruoanvalmistustavasta ja rasvasuodattimen puhdistustiheydestä.

- Aktiivihiilisuodattimet tulee pestä käsin, neutraaleja ja hankaamattomia pesuaineita käyttämällä tai astianpesukoneessa korkeintaan 65°C lämpötilassa (pesujakso tulee suorittaa kokonaan ilman astioita).

Poista ylimääräinen vesi vahingoittamatta suodatinta, irrota muoviosat, anna pehmusteen kuivua uunissa vähintään 15 minuutin ajan korkeintaan 100°C lämpötilassa. Säilyttääkseen regeneroitavan hiilisuodattimen toiminnan tehokkaana, suorita tämä toimenpide 2 kuukauden välein.

Ne tulee vaihtaa korkeintaan 3 vuoden välein tai kun pehmuste vahingoittuu.

• **Ennen rasvasuodattimien ja regeneroitavien aktiivihiilisuodattimien asentamista on tärkeää, että ne ovat kuivuneet kunnolla.**

• **Puhdista liesituuletin säännöllisesti sekä sisältä että ulkoa käyttäen riepua, joka on kostutettu denaturoidulla alkoholilla tai nestemäisillä neutraaleilla ei-hankaavilla pesuaineilla.**

• Valaistuslaitteisto on suunniteltu käytettäväksi ruokien kypsennyksen aikana eikä pitkäaikaiseen ympäristön yleiseen valaisuun. Valaistuksen pitkäaikainen käyttö vähentää huomattavasti lampujen keskimääräistä käyttöikää.

• Jos laite on varustettu **hajavalolla**, sitä voidaan käyttää pitkäaikaiseen ympäristön yleiseen valaisuun.

• **Varoitus:** liesituulettimen puhdistukseen ja vaihtoon sekä suodattimien puhdistukseen kuuluvien ohjeiden noudattamatta jättäminen aiheuttaa tulipalovaaran. Näin ollen suositellaan annettujen ohjeiden noudattamista.

• Halogeenilampujen vaihtaminen (Kuva 17):

Halogeenilampujen **B** vaihtamiseksi ota pois lasi **C** käyttäen viputukena asianmukaisia aukkoja. Vaihda tilalle vastaavan tyyppiset lamput.

Varoitus: älä koske lamppuun paljain käsin.

• LED-valojen vaihtaminen (Kuva 18):

Jos malli on varustettu LED-valoilla, toimenpiteen saa suorittaa ammattitaitoinen tekniikko.

• **Hehkulamppujen/halogenilamppujen vaihtaminen (Kuva 19):**

Käytä vain laitteeseen asennettujen kaltaisia ja wattiluvultaan samoja lampputa.

• **Ohjaimet (Kuva 20) mekaaniset:**

A = Valaistuksen painike

B = OFF

C = ensimmäisen nopeuden painike

D = toisen nopeuden painike

E = kolmannen nopeuden painike.

• **Ohjaimet valolla varustetut (Kuva 21):**

A = Valaistuksen painike

B = OFF

C = Ensimmäisen nopeuden painike

D = Toisen nopeuden painike

E = Kolmannen nopeuden painike

F = Automaattiajastin (15 min.) (*)

Jos laitteeseesi kuuluu **INTENSIIVINEN** nopeus, **KOLMANNES-**TA nopeudesta lähtien pitämällä näppäintä **E** painettuna noin 2 sekunnin ajan se aktivoituu 10 minuutiksi, jonka jälkeen se palaa edellä asetettuun nopeuteen. Kun toiminto on päällä, LED-valo vilkkuu.

Jos se halutaan keskeyttää ennen kuin 10 minuuttia on kulunut umpeen, paina näppäintä **E** uudelleen.

Joissakin malleissa toiminto voidaan aktivoida myös ensimmäisellä ja toisella nopeudella.

Jos painallat näppäintä **F** n.2 sek. (tuuletin ollessa pois päältä), käynnistät toiminnon "**clean air**". "**Clean air**" käynnistää tuuletin kymmeneksi minuutiksi tunnin väliajoin alimalla kierrosnopeudella. Jos valitset tämän toimintamuodon laite käynnistyy kymmeneksi minuutiksi joiden aikana välkehtivät näppäinten **F** ja **C** n valomerkit. Kymmenen minuutin jakson päätyttyä moottori pysähtyy ja vain näppäimen **F** valomerkki jää päälle kunnes 50.nen minuutin kuluttua moottori käynnistyy uudelleen ja näppäimen **F** ja **C** valomerkit välkehtivät jne. Minkä tahansa näppäimen painaminen valonäppäintä lukuun ottamatta palauttaa liesituuletin normaali toimintaan (esim. jos painan näppäintä **D** "**clean air**"-toiminto kytketty pois ja moottori asettuu 2-nopeudelle; painamalla näppäintä **B** toiminto kytketty pois).

(*) "**AUTOMAATTIAJASTIN**" pysäyttää liesituuletin 15 min. viiveellä. Tuuletin jatkaa toimintaansa lähtönopeudellaan 15 min ajan painikkeen painamisen jälkeen.

• **Rasva-/aktiivihiihisuodattimien täyttyminen:**

-Kun näppäin **A** vilkkuu **2 sekunnin** välein, rasvasuodattimet tulee pestä.

-Kun näppäin **A** vilkkuu **0,5 sekunnin** välein, aktiivihiihisuodattimet tulee pestä tai vaihtaa suodatintyyppiin perusteella. Kun puhdas suodatin on liitetty, tulee elektroninen muisti nollata painaen painiketta **A** noin **5 sekunnin** ajan, kunnes se lakkaa vilkkumasta.

• **Ohjaimet (Kuva 22):**

Näppäin A = Sytyttää/sammuttaa valot.

Näppäin B = Käynnistää/sammuttaa kuvun. Laite käynnistyy ensimmäiselle nopeudelle.

Jos liesikupu on päällä paina näppäintä 2 sek. ajan ja sen toiminta lakkaa. Jos laite toimii ykkösnopeudella, näppäintä ei tarvitse pitää alas painettuna laitetta sammutettaessa. Laskee moottorin nopeutta.

Näyttö C = Ilmoittaa valitun moottorin nopeuden ja ajastimen aktivoinnin.

Näppäin D = Käynnistää kuvun. Nostaa moottorin nopeutta. Painamalla näppäintä kolmannella nopeudella laite toimii täydellä teholla 10 sekunnin ajan, sen jälkeen laite alkaa toimia aktivoitulla nopeudella. Tämän toiminnon ajan näytön valo vilkkuu.

Näppäin E = Ajastin ajastaa toiminnot käynnistämishetkellä 15 minuutin ajaksi. Sen jälkeen toiminnot sammuvat. Ajastin lakkaa toimimasta kun painat uudelleen näppäintä **E**. Kun ajastintoiminto on päällä desimaalipisteen on välkyttävä näytöllä. Jos tehonopeustoiminto on päällä ajastinta ei voida käynnistää.

Painamalla näppäintä **E** 2 sekunnin ajan, laitteen ollessa sammuksissa, "**clean air**"-toiminto käynnistyy. Tämä toiminto käynnistää moottorin joka tunti, 10 minuutin ajaksi ykkösnopeudella. Toiminnan aikana näytön reunoilla tulee näkyä pyörivä liike. Tämän ajan kuluttua moottori sammuu ja näytöllä tulee näkyä "**C**"-kirjain seuraavien 50 minuutin ajan kunnes moottori taas käynnistyy seuraaviksi 10 minuutiksi ja niin edelleen. Normaali toimintaan palaamiseksi paina mitä tahansa näppäintä valonäppäintä lukuun ottamatta. Kytke toiminto pois päältä painamalla **E** -näppäintä.

• **Rasva-/aktiivihiihisuodattimien täyttyminen:**

-Kun näyttö **C** vilkkuu ja siihen tulevat näkyviin vuorotellen toimintanopeus ja kirjain **F** (esim. 1 ja **F**), rasvasuodattimet tulee pestä.

-Kun näytöllä **C** vilkkuu vuorotellen käyttönopeus ja kirjain **A** (esim.1 ja **A**) aktiivihiihisuodattimet on vaihdettava tai pestävä suodatintyyppiin mukaan.

Kun puhdas suodatin on liitetty, tulee elektroninen muisti nollata painaen painiketta **A** noin **5 sekunnin** ajan, kunnes näytön **C** ilmoitus **F** tai **A** lakkaa vilkkumasta.

• **Mekaaniset ohjaukset (Kuva 23):** Symbolit on annettu seuraavassa:

A= VALO ON/OFF

B= ENSIMMÄINEN NOPEUS ON/OFF

C= TOINEN NOPEUS

D= KOLMAS NOPEUS

Jos liesituuletin sammutetaan ensimmäisessä, toisessa tai kolmannessa nopeudessa, kun se käynnistetään uudelleen, se käynnistyy samalla nopeudella jolla se sammutettiin.

LAITTEEN VALMISTAJA EI OLE VASTUUSSA VAHINGOISTA, JOTKA OVAT AIHEUTUNEET YLLÄMAINITTUJEN OHJEIDEN LAIMINLYÖNNISTÄ.

ΓΕΝΙΚΑ

Διαβάστε προσεκτικά το περιεχόμενο των οδηγιών, διότι παρέχει σημαντικές υποδείξεις που αφορούν την ασφάλεια της εγκατάστασης της χρήσης και της συντήρησης. Φυλάξτε το φυλλάδιο για ενδεχόμενες συμβουλές. Η συσκευή σχεδιάστηκε για χρήση σε έκδοση απορρόφησης (εκκένωση αέρα προς το εξωτερικό - Εικ.1B), διήθησης (ανακύκλωση αέρα στο εσωτερικό - Εικ.1A) ή με εξωτερικό κινητήρα (Εικ.1C).

ΥΠΟΔΕΙΞΕΙΣ ΑΣΦΑΛΕΙΑΣ

1. Προσοχή σε περίπτωση που λειτουργούν ταυτόχρονα απορροφητήρας απορρόφησης και καυστήρας ή μία εστία που εξαρτώνται από τον αέρα του περιβάλλοντος και τροφοδοτούνται από ενέργεια όχι ηλεκτρική διότι ο απορροφητήρας απορροφώντας αφαιρεί από το περιβάλλον τον αέρα που έχουν ανάγκη για την καύση ο καυστήρας ή η εστία. Η αρνητική πίεση στο χώρο δεν πρέπει να ξεπερνά τα 4PA (4x10-5bar). Για σίγουρη ασφαλές λειτουργία του απορροφητήρα, οφείλεται να υπάρχει κατάλληλος αερισμός στο χώρο. Για την εξωτερική εκκένωση ακολούθησε τις ισχύοντες προδιαγραφές της χώρας.

Πριν συνδέσετε το μοντέλο στο ηλεκτρικό δίκτυο:

- Ελέγξτε την πινακίδα στοιχείων (που βρίσκεται στο εσωτερικό της συσκευής) για να βεβαιωθείτε ότι η τάση και η ισχύς της συσκευής αντιστοιχούν στο ηλεκτρικό σας δίκιο καθώς και για την καταλληλότητα του ηλεκτρικού βύσματος. Σε περίπτωση δυσκολιών επικοινωνήστε με έναν ειδικευμένο ηλεκτρολόγο
- Αν το καλώδιο τροφοδοσίας είναι χαλασμένο, πρέπει να αντικατασταθεί από ένα καλώδιο ή ένα ειδικό σύστημα, διαθέσιμο από τον κατασκευαστή ή την υπηρεσία του τεχνικής υποστήριξης.
- Συνδέστε τη διάταξη στην τροφοδοσία μέσω ενός βύσματος με ασφάλεια 3A ή στα δύο καλώδια του διφασικού προστατευόμενα από μια ασφάλεια 3A.

2. ΠΡΟΣΟΧΗ!

Σε ορισμένες περιπτώσεις οι ηλεκτρικές συσκευές μπορεί να αποτελούν κίνδυνο.

- A) Μην ελέγχετε την κατάσταση των φίλτρων όσο ο απορροφητήρας είναι σε λειτουργία.
B) Μην αγγίζετε τις λυχνίες ή τις γειτονικές περιοχές κατά ή αμέσως μετά την παρατεταμένη χρήση της εγκατάστασης φωτισμού.
C) Απαγορεύεται να μαγειρεύετε τρόφιμα σε φλόγα κάτω από τον απορροφητήρα.
D) Αποφύγετε ελεύθερες φλόγες διότι προκαλούν ζημιά στα φίλτρα και μπορούν να προκαλέσουν πυρκαγιές.
E) Να διατηρείτε συνεχώς υπό έλεγχο το τηγάνισμα των τροφίμων για να μη πάρει φωτιά το καυτό λάδι.
F) Αποσυνδέστε το βύσμα από την ηλεκτρική πρίζα πριν προχωρήσετε στη συντήρηση.
G) Η συσκευή δεν προορίζεται για να χρησιμοποιείται από παιδιά ή άτομα ανίκανα χωρίς επίτηρηση.
H) Να επιτηρείτε τα παιδιά για να είστε βέβαιοι ότι δεν παίζουν με τη συσκευή.
I) Όταν ο απορροφητήρας χρησιμοποιείται ταυτόχρονα με συσκευές που καίνε αέριο ή άλλα καύσιμα, ο χώρος πρέπει να αερίζεται δεόντως.
L) Αν οι εργασίες καθαρισμού δεν εκτελούνται σύμφωνα

με τις οδηγίες, υπάρχει κίνδυνος να προκληθεί πυρκαγιά.

Η συσκευή αυτή είναι χαρακτηρισμένη σύμφωνα με την Ευρωπαϊκή Οδηγία 2002/96/EC, Waste Electrical and Electronic Equipment (WEEE). Ο χρήστης με το να διαθέτει το προϊόν αυτό ως απόρριμμα με τον ενδεχόμενο τρόπο συμβάλει στην αποφυγή αρνητικών συνεπειών για το περιβάλλον και την υγεία.




Το σύμβολο στο προϊόν ή στην τεκμηρίωση που το συνοδεύει δείχνει ότι το προϊόν αυτό δεν πρέπει να αντιμετωπίζεται ως απόρριμμα οικιακό αλλά πρέπει να παραδίδεται σε κατάλληλα σημεία συλλογής για την ανακύκλωση ηλεκτρικών και ηλεκτρονικών συσκευών. Διαθέστε το ως απόρριμμα πρώτης τάξης κατά τόπους κανονισμούς για τη διάθεση των απορριμμάτων. Για περαιτέρω πληροφορίες για τη μεταχείριση, την ανάκτηση και την ανακύκλωση του προϊόντος αυτού, επικοινωνήστε με το αρμόδιο τοπικό γραφείο, την υπηρεσία συλλογής οικιακών απορριμμάτων ή το κατάστημα από το οποίο αγοράσατε το προϊόν αυτό.


ΟΔΗΓΙΕΣ ΕΓΚΑΤΑΣΤΑΣΗΣ

- Οι διαδικασίες τοποθέτησης και ηλεκτρικής σύνδεσης πρέπει να γίνονται από ειδικευμένο προσωπικό.
- χρησιμοποιήστε προστατευτικά γάντια πριν προχωρήσετε στις εργασίες συναρμολόγησης.

• Ηλεκτρική σύνδεση:

Σημείωση! Ελέγξτε την πινακίδα δεδομένων που βρίσκεται στο εσωτερικό της συσκευής:

-Αν στην πινακίδα εμφανίζεται το σύμβολο  σημαίνει ότι η συσκευή δεν πρέπει να συνδέεται σε γείωση, συνεπώς εκτελέστε τις οδηγίες που αφορούν την κατηγορία μόνωσης II.

-Αν στην πινακίδα ΔΕΝ εμφανίζεται το σύμβολο  εκτελέστε τις οδηγίες που αφορούν στην κατηγορία μόνωσης I.

Κατηγορία μόνωσης II

Η συσκευή ανήκει στο τύπο II, που σημαίνει πως κανένα καλώδιο δεν πρέπει να συνδεθεί με την γείωση.

Το βύσμα πρέπει να είναι εύκολα προσβάσιμο μετά την εγκατάσταση της συσκευής.

Στην περίπτωση που η συσκευή διαθέτει καλώδιο χωρίς βύσμα, για να το συνδέσετε στο ηλεκτρικό δίκτυο είναι αναγκαίο να μεσολαβή μεταξύ της συσκευής και του ηλεκτρικού δικτύου ένας πανπολικός διακόπτης με ελάχιστο άνοιγμα μεταξύ των επαφών 3 mm, επαρκής για το φορτίο και σύμφωνος με τους ισχύοντες κανονισμούς.

Η σύνδεση στο δίκτυο θα πρέπει να γίνει ως εξής:

ΚΑΦΕ: γραμμή L

ΜΠΛΕ: N ουδέτερη γραμμή


Κατηγορία μόνωσης I

Η συσκευή αυτή κατασκευάστηκε ως κατηγορία I, γι αυτό πρέπει να συνδέεται στη γείωση.


Η σύνδεση στο ηλεκτρικό δίκτυο πρέπει να διενεργείται ως ακολούθως:

ΚΑΦΕ = L γραμμή

ΜΠΛΕ = N ουδέτερο

ΚΙΤΡΙΝΟ / ΠΡΑΣΙΝΟ =  γείωση.

Το ουδέτερο καλώδιο πρέπει να συνδέεται στον ακροδέ-

κτη με το σύμβολο **N** ενώ το **ΚΙΤΡΙΝΟ/ΠΡΑΣΙΝΟ** καλώδιο, πρέπει να συνδέεται στον ακροδέκτη πλησίον του συμβόλου της γείωσης. 

Στη διαδικασία ηλεκτρικής σύνδεσης βεβαιωθείτε ότι η ηλεκτρική πρίζα διαθέτει σύνδεση γείωσης.

Μετά τη συναρμολόγηση του απορροφητήρα, προσέξτε ώστε η θέση της ηλεκτρικής πρίζας να είναι εύκολα προσβάσιμη. Στην περίπτωση άμεσης σύνδεσης στο ηλεκτρικό δίκτυο είναι αναγκαίο να μεσολαβεί μεταξύ της συσκευής και του ηλεκτρικού δικτύου ένας πανπολικός διακόπτης με ελάχιστο άνοιγμα μεταξύ των επαφών 3 mm, ικανό για το φορτίο και σύμφωνο με τους ισχύοντες κανονισμούς.

- Η ελάχιστη απόσταση από την επιφάνεια στήριξης των συσκευών μαγειρέματος στις εστίες και το χαμηλότερο τμήμα του απορροφητήρα της κουζίνας πρέπει να είναι ίση με τουλάχιστον 65 cm. Σε περίπτωση που χρησιμοποιηθεί σωλήνας σύνδεσης το οποίο αποτελείται από δύο ή περισσότερα κομμάτια, θα πρέπει το πάνω μέρος να περαστεί πάνω από το κάτω μέρος. Σε καμία περίπτωση δεν πέπει ο σωλήνας απορρόφησης να συνδεθεί με σωλήνα, ο οποίος χρησιμοποιείτε για εκκένωση καπνού συσκευών που τροφοδοτούνται από ενέργεια όχι ηλεκτρική. Πριν προχωρήσετε στις διεργασίες συναρμολόγησης, για ευκολότερο χειρισμό της συσκευής αποσυνδέστε το φίλτρο/-α συγκράτησης λιπαρών (Εικ.15).
- Στην περίπτωση συναρμολόγησης της συσκευής στην έκδοση για απορρόφηση τοποθετήστε την οπή εξαγωγής αέρα.

- Συνιστάται η χρήση ενός σωλήνα εκκένωσης αέρα ίδιας διαμέτρου με το στόμιο εξόδου αέρα. Η χρήση προσαρμοστικού θα μπορούσε να μειώσει τις επιδόσεις του προϊόντος και να αυξήσει τη θορυβότητα.

Σημείωση!

-Για την εγκατάσταση αυτού του προϊόντος είναι απαραίτητη η παρουσία ενός δεύτερου προσώπου.

Προσοχή!

-Πριν προχωρήσετε με την εγκατάσταση της συσκευής στερεώστε το ηλεκτρικό κουτί εγκατάστασης D.

-Ανασηκώστε το ηλεκτρικό κουτί της εγκατάστασης και ακολουθείστε τις φάσεις 1-2-3 που φαίνονται στην εικόνα 2.

-Τοποθετήστε το στήριγμα αντίστοιχα με τις 3 βίδες G που ήδη υπάρχουν στο σύστημα στερέωσης και βιδώστε τις όπως φαίνεται στη φάση 4 - εικόνα 2.

-Στερεώστε το σωλήνα εκκένωσης αέρα H (δεν παρέχεται) στη φλάντζα εξόδου αέρα F όπως φαίνεται στην εικόνα 2.

• Συναρμολόγηση της κάπας:

- Πάρτε τη δομή : D από τη συσκευασία και στερεώστε τη στη συσκευή στερέωσης του κινητήρα με τις 4 βίδες E εικ. 3.

-Αφαιρέστε τις 2 βίδες A που κρατάνε τη την πάνω δομή B σε εκείνη που βρίσκεται κάτω C όπως φαίνεται στην εικ. 4.

-Ρυθμίστε το ύψος που θέλετε δίνοντας προσοχή στην τιμή που φαίνεται στην εικόνα 5 και κλειδώστε το με τις 8 βίδες G που παρέχονται.

-Ενώστε την κάτω εστία A με την επάνω B και περάστε τις στη δομή όπως φαίνεται στην εικόνα 6.

-Τοποθετήστε τον οδηγό διάνοιξης στην οροφή φροντίζοντας έτσι ώστε το βέλος να έχει τοποθετηθεί στην ίδια πλευρά της μονάδας ελέγχου της συσκευής (Εικ.7).

-Πραγματοποιείτε τις 4 τρύπες Ψ8 στην οροφή και βιδώστε τις 3 βίδες χωρίς να τις τραβήξετε πλήρως

φροντίζοντας να μην εισάγετε τις βίδες στην τρύπα που είναι σημειωμένη με ένα X πάνω στον οδηγό διάνοιξης εικ. 8 (οι βίδες και τα βύσματα επέκτασης πρέπει να είναι ανάλογα με τον τύπο του τοίχου).

-Πάρτε την κάπα και βάλτε την πάνω τηλεσκοπική δομή στις 3 βίδες E, μη βιδώσετε εντελώς αντίστοιχα στις 3 υποδοχές και κάντε μια μικρή περιστροφή για την εφαρμογή όπως φαίνεται στην εικόνα 9 – φάση 1-2. βιδώστε την τέταρτη βίδα χ και τραβήξτε τις άλλες 3 που απομένουν για να πραγματοποιήσετε το τελικό μπλοκάρισμα του πάνω μέρους της δομής B όπως φαίνεται στην εικόνα 9 – φάση 3-4.

-Διαμόρφωση αναρρόφησης: Στερεώστε τον ελαστικό σωλήνα στην τρύπα εκκένωσης αέρα που υπάρχει (Εικ.10).

-Διαμόρφωση φίλτρου:

- Συνδέστε τον ελαστικό σωλήνα H στον εκτροπέα M και στερεώστε τη βίδα I όπως φαίνεται στην (Εικ.11).

Τα φίλτρα πρέπει να εφαρμοστούν στο σύστημα αναρρόφησης που βρίσκεται στο εσωτερικό της κάπας κεντράροντάς τα σε αυτό και περιστρέφοντάς τα 90 μοίρες μέχρι να ακουστεί το κλικ σύνδεσης. (Εικ. 16).

-Πραγματοποιείτε την ηλεκτρική σύνδεση (εικ. 12).

-Στερεώστε την πάνω εστία B στη δομή με τις 4 βίδες F (εικ. 13).

-Αν η συσκευή σας διαθέτει κάτω καμινάδα που χρειάζεται σύνδεση στο σώμα του απορροφητήρα με βίδες, αφαιρέστε από τον απορροφητήρα τα φίλτρα κατά του λίπους γυρίζοντας τις μικρές χειρολαβές (Εικ. 15).

-Αν χρειαστεί, στερεώστε από το εσωτερικό, την κάτω καμινάδα στον απορροφητήρα, χρησιμοποιώντας τις βίδες P (Εικ.13). Τέλος μοντάρτε και πάλι τα φίλτρα στην θέση τους.

ΧΡΗΣΗ ΚΑΙ ΣΥΝΤΗΡΗΣΗ

- Συνιστάται να θέτετε σε λειτουργία τη συσκευή πριν προχωρήσετε στο μαγείρεμα κάποιου τροφίμου. Συστήνεται να αφήνετε τη συσκευή να λειτουργεί για 15 λεπτά αφού τελειώσετε το μαγείρεμα των τροφίμων, για πλήρη εκκένωση του μολυσμένου αέρα. Η καλή λειτουργία του απορροφητήρα εξαρτάται από τη σωστή και συνεχή συντήρηση. Ιδιαίτερη προσοχή πρέπει να δοθεί στο φίλτρο συγκράτησης λίπους και στο φίλτρο ενεργού άνθρακα.

- **Το φίλτρο συγκράτησης λίπους** έχει ως σκοπό τη συγκράτηση των λιπαρών σωματιδίων που αιωρούνται στον αέρα, συνεπώς υπόκειται σε έμφραξη σε χρονικά διαστήματα που ποικίλουν ανάλογα με τη χρήση της συσκευής.

- Προκειμένου να αποφευχθεί κάθε κίνδυνος πυρκαγιάς, το ανώτερο κάθε 2 μήνες, είναι απαραίτητο να πλένετε τα φίλτρα αντιγράσου στο χέρι, χρησιμοποιώντας ρευστά ουδέτερα απορρυπαντικά, ή σε πλυντήρια πιάτων σε χαμηλές θερμοκρασίες και σε σύντομες πλύσεις.

- Μετά από μερικές πλύσεις, μπορεί να διαπιστωθούν αλλοιώσεις του χρώματος. Το γεγονός αυτό δεν αποτελεί λόγο διαμαρτυρίας για τυχόν αντικατάστασή τους.

- **Τα ενεργά φίλτρα άνθρακα** χρησιμοποιούνται για τον καθαρισμό του αέρα που ανακυκλώνεται στο περιβάλλον και έχει τη λειτουργία να μειώνει τις δυσάρεστες οσμές που προκαλούνται από το μαγείρεμα.

- Τα μη ανανεώσιμα ενεργά φίλτρα άνθρακα πρέπει να αντικαθίστανται κάθε 4 μήνες το ανώτερο. Ο κορεσμός του ενεργού άνθρακα εξαρτάται περίπου από τη διάρκεια χρήσης της συσκευής, από τον τύπο της κουζίνας και από τη συχνότητα με την οποία γίνεται ο καθαρισμός του φίλτρου αντιγράσου.

- Τα ανανεώσιμα ενεργά φίλτρα άνθρακα πρέπει να πλένονται στο χέρι, με λιανικά ουδέτερα καθαριστικά, ή στο πλυντήριο πιάτων σε μέγιστη θερμοκρασία των

65°C (ο κύκλος πλύσης πρέπει να ολοκληρωθεί χωρίς οικιακά σκεύη). Αφαιρέστε το υπερβολικό νερό χωρίς να καταστρέψετε το φίλτρο, βγάλτε τα μέρη από πλαστικό, και στεγνώστε το στρωματάκι στο φούρνο για περίπου 15 λεπτά και στη μέγιστη θερμοκρασία των 100°C. Για να διατηρήσετε τη αποτελεσματική τη λειτουργία του ανανεώσιμου φίλτρου άνθρακα πρέπει να επαναλαμβάνετε αυτή τη λειτουργία κάθε 2 μήνες. Αυτά πρέπει να αντικαθίστανται το ανώτερο κάθε 3 χρόνια ή όταν το στρωματάκι έχει καταστραφεί.

• **Πριν επανατοποθετήσετε τα φίλτρα αντιγύαυου και τα ενεργά ανανεώσιμα φίλτρα άνθρακα προσέξτε αυτά να έχουν στεγνώσει καλά.**

• **Να καθαρίζετε συχνά τον απορροφητήρα, εσωτερικά και εξωτερικά, χρησιμοποιώντας ένα βρεγμένο πανί με μετουσιωμένο οινόπνευμα ή υγρά ουδέτερα απορρυπαντικά μη αποξυμικά.**

• Η εγκατάσταση φωτισμού σχεδιάστηκε για να χρησιμοποιείται κατά το μαγείρεμα και όχι για γενικό παρατεταμένο φωτισμό του χώρου. Η παρατεταμένη χρήση του φωτισμού μειώνει σημαντικά τη μέση διάρκεια των λυχνιών.

• Αν η συσκευή είναι εξοπλισμένη με φωτισμό περιβάλλοντος αυτός μπορεί να χρησιμοποιηθεί για παρατεταμένη χρήση γενικού φωτισμού του περιβάλλοντος.

• **Προσοχή:** Η μη τήρηση των προειδοποιήσεων για την καθαριότητα του απορροφητήρα και την αντικατάσταση και καθαρισμό των φίλτρων μπορεί να προκαλέσει πυρκαγιά. Σας συστήσουμε κατά συνέπεια να ακολουθείτε προσεκτικά τις οδηγίες που προτείνονται.

• **Αντικατάσταση των λυχνιών αλογόνου (Εικ.17):**

Για την αντικατάσταση των λυχνιών αλογόνου β βγάλτε το γυαλάκι **C** κάνοντας αντίσταση στις αετικές εσοχές. Αντικαταστήστε με λυχνίες ίδιου τύπου.
Προσοχή: μην αγγίζετε τη λυχνία με γυμνά χέρια.

• **Αντικατάσταση των λαμπτήρων LED (Εικ.18):**

Αν η έκδοση της συσκευής είναι με λαμπτήρες LED για την αντικατάσταση χρειάζεται η επέμβαση ενός ειδικευμένου τεχνικού.

• **Αντικατάσταση των λαμπτήρων πυρακτώσεως/αλογόνου (Εικ.19):**

Χρησιμοποιείτε μόνο λαμπτήρες του ίδιου τύπου και ικανότητα απορρόφησης ηλεκτρικής ισχύος εγκατεστημένα στη συσκευή.

• **Εντολες (Εικ.20) Μηχανικοί:**

A = πλήκτρο ΦΩΤΙΣΜΟΥ
B = πλήκτρο ΟΦΦ ΤΑΧΥΤΗΤΑ
C = πλήκτρο ΠΡΩΤΗ ΤΑΧΥΤΗΤΑ
D = πλήκτρο ΔΕΥΤΕΡΗ ΤΑΧΥΤΗΤΑ
E = πλήκτρο ΤΡΙΤΗ ΤΑΧΥΤΗΤΑ.

• **Εντολες φωτεινής (Εικ.21):**

A = πλήκτρο ΦΩΤΙΣΜΟΥ
B = πλήκτρο ΟΦΦ ΤΑΧΥΤΗΤΑ
C = πλήκτρο ΠΡΩΤΗ ΤΑΧΥΤΗΤΑ
D = πλήκτρο ΔΕΥΤΕΡΗ ΤΑΧΥΤΗΤΑ
E = πλήκτρο ΤΡΙΤΗ ΤΑΧΥΤΗΤΑ
F = πλήκτρο TIMER ΑΥΤΟΜΑΤΟ ΣΤΑΜΑΤΗΜΑ 15 λεπτών (*)

Αν η συσκευή σας διαθέτει τη λειτουργία **ENTONH** ταχύτητα, ξεκινώντας από την ΤΡΙΤΗ ταχύτητα και κρατώντας πατημένο για 2 δευτερόλεπτα περίπου το πλήκτρο **E** αυτή θα ενεργοποιηθεί για 10 λεπτά και στη συνέχεια θα επιστρέψει στην προκαθορισμένη ταχύτητα.

Όταν η λειτουργία είναι ενεργή το LED αναβοσβήνει.

Για να τη διακόψετε πριν από τα 10 λεπτά πατήστε ξανά το πλήκτρο **E**.

Σε ορισμένα μοντέλα μπορείτε να ενεργοποιήσετε τη λειτουργία ακόμα και με την πρώτη και τη δεύτερη ταχύτητα.

Πιέζοντας το πλήκτρο **F** για 2 δευτερόλεπτα (με τον απορροφητήρα σβηστό) ενεργοποιείται η λειτουργία "**clean air**". Αυτή η λειτουργία ανάβει τον κινητήρα για 10 λεπτά κάθε ώρα στην πρώτη ταχύτητα. Μόλις ενεργοποιηθεί η λειτουργία, ο κινητήρας ξεκινά με την 1η ταχύτητα για 10 λεπτά κατά τη διάρκεια των οποίων θα πρέπει να αναβοσβήνει το πλήκτρο **F** και το πλήκτρο **C**.

Αφού περάσει αυτός ο χρόνος ο κινητήρας σβήνει και το φωτάκι του πλήκτρου **F** παραμένει αναμμένο σταθερό έως ότου μετά από άλλα 50 λεπτά ξαναξεκινά ο κινητήρας με την πρώτη ταχύτητα και τα φωτάκια **F** και **C** ξαναρχίζουν να αναβοσβήνουν για 10 λεπτά και έτσι συνεχίζει.

Πατώντας οποιοδήποτε πλήκτρο εκτός από τα φώτα του απορροφητήρα, επιστρέφει στην κανονική λειτουργία (πχ. αν πατήσετε το πλήκτρο **D** απενεργοποιείται η λειτουργία "**clean air**" και το μοτέρ μπαίνει στη 2η ταχύτητα. Πατώντας το πλήκτρο **B** η λειτουργία απενεργοποιείται.

(*) Η λειτουργία «**TIMER ΑΥΤΟΜΑΤΟ ΣΒΗΣΙΜΟ**» καθυστερεί το σταμάτημα του απορροφητήρα, που θα συνεχίσει να λειτουργεί στην τρέχουσα ταχύτητα κατά την ενεργοποίηση αυτής της λειτουργίας και για 15 λεπτά.

• **Κορεσμός φίλτρων συγκράτησης λίπους/ενεργού άνθρακα:**

- Όταν το κουμπί **A** αναβοσβήνει με συχνότητα **2 sec.** τα φίλτρα συγκράτησης λίπους πρέπει να πλένονται.

- Όταν το πλήκτρο **A** αναβοσβήνει κάθε **0,5 δευτ.** τα ενεργά φίλτρα άνθρακα πρέπει να πλυθούν ή να αντικατασταθούν σύμφωνα με τον τύπο του φίλτρου.

Αφού επανατοποθετηθεί το καθαρό φίλτρο θα πρέπει να κάνετε reset στην ηλεκτρονική μνήμη πιέζοντας το κουμπί **A** για περίπου **5 sec.** μέχρι να σταματήσει να αναβοσβήνει.

• **Εντολες (Εικ.22):**

Πλήκτρο A = αναβεί/σβήνει τα φώτα.

Πλήκτρο β = αναβεί/σβήνει τον απορροφητήρα. Η συσκευή αναβεί στην 1^ο ταχύτητα. Εάν ο απορροφητήρας είναι αναμμένος πατήστε το πλήκτρο για 2 δευτ. για να σβήσει. Εάν ο απορροφητήρας βρίσκεται στην 1^ο ταχύτητα δεν είναι αναγκαίο να κρατάς πατημένο το πλήκτρο για να σβήσει. Ελαττώνει την ταχύτητα του κινητήρα.

Display C = δείχνει την ταχύτητα επιλογής του κινητήρα και την ενεργοποίηση του timer.

Πλήκτρο D = αναβεί τον απορροφητήρα. Αυξάνει την ταχύτητα του κινητήρα. Πατώντας το πλήκτρο από την 3^ο ταχύτητα εισαγεται η εντατική λειτουργία για 10', μετά η συσκευή ξαναγυρίζει να λειτουργεί στην ταχύτητα που λειτουργούσε την στιγμή της ενεργοποίησης. Κατά την διάρκεια αυτής της λειτουργίας το display αναβοσβήνει.

Πλήκτρο E = Το Timer ρυθμίζει χρονικά τις λειτουργίες, τη στιγμή της ενεργοποίησης, για 15 λεπτά μετά την απενεργοποίησή τους. Το Timer απενεργοποιείται ξαναπιέζοντας το κουμπί **E**. Όταν η λειτουργία Timer είναι ενεργή στην οθόνη πρέπει να αναβοσβήνει το δεκαδικό σημείο. Αν είναι σε λειτουργία η έντονη ταχύτητα, το Timer δεν μπορεί να ενεργοποιηθεί.

Πιέζοντας το κουμπί **E** για 2 δευτερόλεπτα, όταν η συσκευή είναι σβηστή, ενεργοποιείται η λειτουργία "**clean air**". Αυτή ενεργοποιεί τον κινητήρα για 10 λεπτά κάθε ώρα στην πρώτη ταχύτητα. Κατά τη λειτουργία, η οθόνη πρέπει να απεικονίζει μια περιστροφική κίνηση των πε-

ριφειρειακών τμημάτων. Με το πέρας του χρόνου αυτού ο κινητήρας σβήνει και η οθόνη πρέπει να απεικονίζει το γράμμα "C" σταθερά μέχρις ότου, μετά από άλλα 50 λεπτά, θα επανεκκινήσει ο κινητήρας για άλλα 10 λεπτά κ.ο.κ.. Για να επιστρέψετε στην κανονική λειτουργία πατήστε οποιοδήποτε πλήκτρο εκτός από το φως. Για απενεργοποιήσετε τη λειτουργία πατήστε το πλήκτρο E.

• Κορεσμός φίλτρων συγκράτησης λίπους/ενεργού άνθρακα:

-Όταν η οθόνη C αναβοσβήνει εναλλάσσοντας την ταχύτητα εργασίας με το γράμμα F (π.χ. 1 και F) τα φίλτρα συγκράτησης λίπους πρέπει να πλυθούν.

-Όταν το display C αναβοσβήνει εναλλάσσοντας την ταχύτητα άσκησης με το γράμμα A (π.χ. 1 και A) τα ενεργά φίλτρα άνθρακα πρέπει να πλυθούν ή να αντικατασταθούν ανάλογα με τον τύπο του φίλτρου.

Αφού επαναποθετηθεί το καθαρό φίλτρο, θα πρέπει να κάνετε reset στην ηλεκτρονική μνήμη πιέζοντας το κουμπί A για περίπου 5 sec μέχρι να σταματήσει να αναβοσβήνει η επισήμανση F ή A της οθόνης C.

• **Μηχανικές εντολές (Εικ. 23)** : τα σύμβολα αναφέρονται στη συνέχεια:

A = πλήκτρο ΦΩΣ / ON-OFF

B = πλήκτρο OFF / ΠΡΩΤΗ ΤΑΧΥΤΗΤΑ

C = πλήκτρο ΔΕΥΤΕΡΗΣ ΤΑΧΥΤΗΤΑΣ

D = πλήκτρο ΤΡΙΤΗΣ ΤΑΧΥΤΗΤΑΣ

Αν σβήσετε την κάπα στην πρώτη, δεύτερη ή Τρίτη ταχύτητα, τη στιγμή που την ανάψετε και πάλι, θα ξεκινήσει με την ίδια ταχύτητα άσκησης που βρισκόταν τη στιγμή του σβησίματος.

ΔΕΝ ΑΝΑΛΑΜΒΑΝΟΥΜΕ ΕΥΘΥΝΕΣ ΓΙΑ ΤΥΧΩΝ ΖΗΜΙΕΣ ΠΟΥ ΠΡΟΚΑΛΟΥΝΤΑΙ ΑΠΟ ΤΗΝ ΜΗ ΤΗΡΗΣΗ ΤΩΝ ΣΥΜΒΟΥΛΩΝ ΠΟΥ ΠΡΟΑΝΑΦΕΡΘΗΚΑΝ.

ÁLTALÁNOS TUDNIVALÓK

Kérjük, figyelmesen olvassa el útmutatónkat, mert fontos tudnivalókat tartalmaz a készülék felszerelésére, használatára és karbantartására vonatkozóan. Őrizze meg, mert a későbbiekben is szüksége lehet rá. A berendezést úgy tervezték, hogy elszívással (a levegőnek a szabadba történő kivezetésével – 1B.ábra), szűrővel (a levegő visszavezetésével – 1A.ábra), vagy külső motorral (1C.ábra) is használható.

BIZTONSÁGI FIGYELMEZTETÉSEK

1. Figyeljünk arra, hogyha nem villannyal működő és ugyanannak a helyiségnek a légtérét használó elszívó, kályha vagy tűzhely működik egyszerre, akkor az elszívó esetleg kivonja a kályha vagy a tűzhely égéséhez szükséges levegőt. A helyiség negatív nyomása 4 PA-nál nem lehet nagyobb (4×10^{-3} bar). A biztonságos működés érdekében gondoskodjunk a helyiség megfelelő levegőellátásáról. A szennyezett levegő külső térbe való elvezetésekor tartsuk be az ide vonatkozó előírásokat.

Mielőtt bekötné a modellt az elektromos hálózatba:

- Ellenőrizze a (a készülék belsejében található) műszaki adatokat tartalmazó táblát, és győződjön meg arról, hogy az elektromos hálózat feszültsége és teljesítménye megfelel-e a feltüntetett adatoknak, valamint, hogy a csatlakozó megfelelő-e. Amennyiben kételyei merülnek fel, forduljon szakképzett villanyszerelőhöz.

- Ha a tápkábel megsérült, ki kell cserélni egy másik kábelre, vagy a gyártónál vagy annak szervizközpontjában beszerezhető speciális egységre.

- 3A-s biztosítókkal ellátott csatlakozódugóval kösse be a hálózatba az egységet, vagy csatlakoztassa 3A-s biztosítókkal védett kétfázisú kábel két éréhez.

2. Figyelem!

Bizonyos esetekben az elektromos készülékek veszélyt jelenthetnek.

A) Az elszívó működése közben ne ellenőrizze a szűrők állapotát.

B) A készülék világításának hosszan tartó használata közben vagy közvetlenül azt követően ne érjen az izzókhoz vagy a mellettük lévő felületekhez.

C) Az elszívó alatt tilos nyílt lángon sütni.

D) Ne használjon nyílt lángot, mert az tönkretelheti a szűrőket és tüzet okozhat.

E) Tartsa folyamatosan szem előtt a süstést, nehogy a forró olaj meggyulladjon.

F) A karbantartási műveletek előtt húzza ki a konnektort a dugóból.

G) A készülék nem gyerekek vagy felügyelet nélkül hagyott, működtetésre alkalmatlan személyek általi használatra lett tervezve.

H) Vigyázzon a gyerekekre, hogy nehogy játszanak a készülékkel.

I) Amennyiben az elszívót gázzal vagy más éghető anyaggal működő készülékkel együtt használja, a helyiségnek megfelelő szellőzéssel kell rendelkeznie.

L) Amennyiben a tisztítási műveleteket nem az utasításoknak megfelelően végzi el, fennáll a veszélye annak, hogy a készülék kigyullad.

A készülék megfelel az elektromos és elektronikus berende-

zések hulladékairól (WEEE) szóló 2002/96/EK európai uniós irányelvnek. Gondoskodjon a termék megfelelő kezeléséről, annak működésből történő kivonása után, a felhasználó hozzájárul a környezetre és az egészségre való káros hatások megelőzéséhez.




A termékem vagy a mellékelt dokumentáción feltüntetett jelölés azt jelzi, hogy a termék nem kezelhető háztartási hulladékként, hanem a megfelelő begyűjtő állomásra kell vinni az elektromos és elektronikus berendezések újrahasznosítása érdekében. Készülékétől a hulladékkezelésre vonatkozó helyi előírásoknak megfelelően váljon meg. A termékkel kezelésével, összegyűjtésével és újrahasznosításával kapcsolatos további információkért forduljon a megfelelő helyi irodához, a háztartási hulladékokat begyűjtő szolgáltathoz, vagy ahhoz az üzlethez, ahol a készüléket megvásárolta.


FELSZERELÉSI UTASÍTÁSOK

- **A beszerelést és az elektromos bekötést csak szakemberek végezhetik el.**
- **Vegyék fel a védőkesztyűket az összeszerelési műveletek elkezdése előtt.**

• Elektromos bekötés:

Megjegyzés! Ellenőrizze a készülék belsejében elhelyezett adattáblát:

- Amennyiben az adattáblán fel van tüntetve a  szimbólum, akkor a készülék nem csatlakoztatható a földeléshez, ezért a II. szigetelési osztály előírásait kell betartani.

- Amennyiben az adattáblán NINCS feltüntetve a  szimbólum, az I. szigetelési osztály előírásait kell betartani.

II. szigetelési osztály

A termék kéteres kábelrel készült, vigyázzunk, hogy az egyik huzalt se kössük a földvezetékbe.

A dugónak a készülék felszerelését követően is könnyen megközelíthetőnek kell maradnia.

Abban az esetben, ha a készülék dugó nélküli tápkábelrel van ellátva, az elektromos hálózatba való bekötéshez a készülék és a hálózat közé be kell iktatni egy, a terhelésre szabott és az érvényes szabványnak megfelelő univerzális megszakítót, melynek érintkezői között legalább 3 mm távolságnak kell lennie.

A hálózatra való bekötésnél vegyük figyelembe a huzalok színét:

BARNA = L fázis

KÉK = N nullafázis.

I. szigetelési osztály

Figyelem!


A **készülék I.** osztályú, ezért földelt konnektorba kell csatlakoztatni.

Az elektromos hálózathoz történő csatlakoztatást az alábbiak szerint kell elvégezni:

BARNA = L fázis

KÉK = N nulla

SÁRGA/ZÖLD =  föld.

A nulla vezetékkel kell összekötni az **N** jelzésű kapocssal, míg a **SÁRGA/ZÖLD** vezetékkel a föld jelhez közeli kapocshoz kell kötni .

Az elektromos összeköttetés kivételésekor győződjön meg róla, hogy a dugós csatlakozó a földhöz van csatlakoztatva.

Az elszívó kürtőjének felszerelése után, ügyeljen rá, hogy az elektromos kapcsoló könnyen hozzáférhető legyen. Abban az esetben, ha közvetlenül csatlakoztatja az elektromos hálózatra, a készülék és a hálózat közé be kell iktatni egy a terhelésre szabott és az érvényes szabványnak megfelelő univerzális megszakítót, melynek érintkezői között legalább 3 mm legyen a távolság.

- A főzõlap fõzéshez használt edényeket tartó felülete és a konyhai elszívó alsó része között minimum **65 cm** távolságnak kell lennie. Ha két vagy több elvezetõ csövet kell összeszerelnünk, akkor az alsó csövet illesszük a felsõ belsejébe. Az elszívó csövet ne vezessük olyan kéménybe, amelyben meleg levegõ áramlik, vagy amely nem villannyal mûködõ berendezés égéstermékét vezeti el. A szerelés megkönnyítéséhez az összeszerelés megkezdése elõtt távolítsuk el a zsírszûrõt/zsírszûrõket (15.ábra).

- Amennyiben a készülék konyhai szagelszívóként szereli fel, gondoskodjon kéménynyilászról.

- Tanácsos a levegõkimeneti csõ átmérõjével megegyezõ átmérõjû levegõelvezetõ csövet használni. Az átmérõcsökkentés csökkenti a termék teljesítményét, és növeli a zajosságát.

Megjegyzés!

- A termék felszereléséhez kérje egy második személy segítségét.

Figyelem!

- A készülék telepítése elõtt szerelje fel az elektronika dobozt **D**.

- Emelje fel a doboz tetejét, és kövesse a 2 ábrán jelölt **lépéseket (1-2-3)**.

- Helyezze a rögzítõ bilincset a dobozon már elõkészített 3 csavar elé **G**, és csavarozza be a csavarokat a 2 ábra utasításainak megfelelõen (4 lépés).

- Rögzítse a levegõ elvezetõ csövet **H** (a készlet nem tartalmazza) a kivezetõ karimára **F** a 2 ábra utasításai szerint.

• A szagelszívó kürtõ felszerelése:

- Vegye ki a külsõ szerkezetet **D** a csomagolásból, és a 4 csavar **E** segítségével rögzítse a motorházhoz (3 ábra).

- Távolítsa el a felsõ részt **B** az alsó részhez **C** rögzítõ 2 csavart **A** (lásd 4 ábra).

- Az 5 ábrán jelölt méreteket szem elõtt tartva állítsa be a kívánt magasságot, majd rögzítse a külsõ szerkezetet a készletben található 8 db csavar **G** segítségével.

- Csatlakoztassa a kürtõ alsó részét **A** a felsõ kürtõrészhez **B**, majd illesse a kürtõt az elszívótestre (6 ábra).

- Helyezze a menetmetszõ sablont a mennyezetre, ügyelve arra, hogy a nyíl ugyanazon az oldalon legyen, mit a készülék kezelõszervei (7 ábra).

- Fúrjon 4 db Ø8 lyukat a mennyezetbe, majd csavarozza be a 3 csavart, de ne húzza meg õket teljesen. A csavarokat ne csavarozza be olyan furatba, amelyet a menetmetszõ sablon **X**-szel jelöl (lásd 8 ábra). Válasszon a fal szerkezetének megfelelõ dübölt és csavart.

- Helyezze az elszívótestet a felsõ teleszkópos szerkezetbe csavarozott 3 csavarra **E**. A csavarokat ne húzza meg teljesen a furatoknál, hogy a felhelyezéskor el tudja fordítani az elszívótestet (lásd 9 ábra - 1-2 lépés).

- Csavarozza be a 4 csavart **X**, és húzza meg a többi 3 az elszívótestet a szerkezet **B** felsõ részéhez rögzítõ csavart is (lásd 9 ábra - 3-4 fejezet).

- **Elszívó változat:** A flexibilis csövet rögzítse a kialakított levegõ elvezetõ nyíláshoz (10 ábra).

- **Szûrõ változat:**

- Csatlakoztassa a flexibilis csövet **H** a levegõ elvezetõ csõhöz

M és rögzítse a csavart **I** a 11 ábrán látható módon.

A szûrõket helyezze a kürtõ belsejében elhelyezett elszívó testbe középre, majd fordítsa el 90 fokkal, amíg nem érzi a megfelelõ rögzítést jelzõ kattantást (16 ábra).

- Kösse be a készüléket a villamos hálózatra (12 ábra).

- A 4 db csavar **B** segítségével rögzítse a kürtõ felsõ részét **F** az elszívó csavarokhoz (lásd 13 ábra).

- Amennyiben az Önök készüléke olyan alsó kürtõvel rendelkezik, amelyet az elszívóhoz csavarokkal kell rögzíteni, távolítsa el az elszívóból a zsírszûrõt az erre a célra szolgáló fogantyúk segítségével (15.ábra).

- Szükség esetén a **P** csavarokkal rögzítse belülrõl a kémény alsó részét a kürtõhöz (13.ábra). Végül helyezze vissza a szûrõket a helyükre.

HASZNÁLAT ÉS KARBANTARTÁS

- Mielõtt bármilyen étel fõzésbe belekezdene, tanácsos bekapcsolni a készüléket. A szennyezett levegõ teljes kiszûrõltetése érdekében a fõzés végét követõen ajánlatos még 15 percig bekapcsolva hagyni az elszívót. Az elszívó tökéletes mûködéséhez megfelelõ és folyamatos karbantartást igényel. Különös figyelmet kell fordítani a zsír- és az aktív szénzsûrõre.

- **A zsírszûrõ** megkõti a levegõben lévõ zsírszemcséket, melyek a használatból függõen idõvel eltömítik a készüléket.

- Egy esetleges tûzveszély megelőzése érdekében legfeljebb kéthavonta mossa el kézzel a zsírszûrõket. Használjon semleges folyékony mosószereket, vagy mossa el a zsírszûrõt alacsony hőmérsékleten mosogatógépben rövid programon. Ne használjon súrolószert.

- Néhány mosás után a zsírszûrõ színe megváltozhat. Ez nem szolgálhat alapot reklamációra, és a szûrõ esetleges cseréjére.

- **Aktív szénzsûrõk** feladata, hogy megtisztítsák a környezetbe visszaáramlottott levegõt, és csökkentik a fõzés során keletkezõ kellemetlen szagokat.

- A nem regenerálható aktív szénzsûrõket legfeljebb 4 havonta cserélni kell. Az aktív szén telítõdését befolyásoló tényezõk: a készülék használatának idõtartama, fõzési szokások és a zsírszûrõ tisztításának gyakorisága.

- A regenerálható aktív szénzsûrõket mossa kézzel, semleges mosószerral, vagy mosogatógépben max. 65°C-on (hagyja lemenni a teljes programot, és a mosogatógépbe ne rakjon más edényt). Ne használjon súrolószert. Távolítsa el a felesleges vizet anélkül, hogy a szûrõt megsértené, távolítsa el a mûanyag részeket, és szárítsa ki a szûrõt a sütõben (min. 15 perc legfeljebb 100°C-on). A regenerálható aktív szénzsûrõ megfelelõ mûködése érdekében a szûrõ tisztítását 2 havonta végezze el. A regenerálható szénzsûrõt legalább 3 évente, de a matrac sérülése esetén minden esetben cserélje ki.

- **A zsírszûrõk és a regenerálható aktív szénzsûrõk viselkedéséhez elõtt várja meg, hogy a szénzsûrõk teljesen megszáradjanak.**

- **Denaturált szeszal vagy nem súroló hatású folyékony mosószerral átitatott vizes ruhával tisztítsa meg gyakran az elszívó külsejét és belsejét.**

- A világitóberendezést fõzés közbeni használatra tervezték, és nem a konyha általános, huzamos idejû megvilágítására. A huzamos idejû használat lényegesen lecsökkenti az égõk átlag élettartamát.

- Ha a készülék rendelkezik szobai világitással a készüléket használhatja a konyha huzamosabb ideig tartó megvilágítására.

- **Figyelem:** az elszívó és a szûrõk tisztítására ill. a szûrõk cseréjére vonatkozó utasítások be nem tartása megnöveli a tüzeset kockázatát. Ezért azt tanácsoljuk, kövesse az utasításokat.

• **A halogénizzók cseréje (17.ábra):**

A **B** halogénizzók cseréjéhez a megfelelő réseken keresztül megemelve vegye le a **C** üvegburát.

Cserélje ki az izzókat azonos típusúakra!

Figyelem! Ne fogja meg a lámpát csupaszz kézzel!

• **A FÉNYJELZŐ lámpák kicserélése (18.ábra):**

Amennyiben a készülék **FÉNYJELZŐ** lámpával ellátott típusú, a lámpa kicserélésehez villanszerelőt kell hívni.

• **Az izzószál / halogén égők cseréje (19.ábra):**

Csak a készülékre felszerellett megegyező erősségű és típusú izzót használjon.

• **Vezérlés (20.ábra) Mechanikus:**

A = VILÁGÍTÁS

B = OFF

C = ELSŐ SEBESSÉG

D = MÁSODIK SEBESSÉG

E = HARMADIK SEBESSÉG.

• **Vezérlés (21.ábra) Fényvezérlés:**

A = VILÁGÍTÁS

B = OFF

C = ELSŐ SEBESSÉG

D = MÁSODIK SEBESSÉG

E = HARMADIK SEBESSÉG

F = LEÁLLÍTÁS AUTOMATIKUS KÉSLELTETÉSE 15 perccel (*)

Ha az ön készüléke rendelkezik **INTENZÍV** sebességfokozattal, a fokozat bekapcsolásához állítsa a készüléket **HARMADIK** fokozatba, majd tartsa nyomva az **E** gombot kb. 2 másodpercig. Az intenzív sebesség 10 perc működés után kikapcsol, és a készülék az eredetileg beállított fokozaton üzemel tovább. Amikor a funkció aktív, a led villog.

Ha a funkciót nem kívánja 10 percig üzemeltetni, a kikapcsoláshoz nyomja meg ismételten az **E** gombot.

Egyes modellek esetében az intenzív funkció egyes vagy kettes fokozat mellett is bekapcsolható.

Ha 2 másodpercig nyomva tartja (kikapcsolt szagelszívó mellett) az **F** gombot, működésbe lép a **“clean air”** funkció. Ez a funkció óránként 10 percre bekapcsolja a motort egyes sebességen. Amint működésbe hozta a funkciót, 10 percre beindul a motor egyes sebességen.

Ez alatt az idő alatt az **F** és a **C** gomb együtt villog. 10 perc elteltével a motor kikapcsolódik, és az **F** gomb ledje folyamatos fénnel ég. 50 perccel később a motor ismételten be fog indulni az egyes sebességen és az **F** és **C** ledék ismételten villogni fognak 10 percig, stb. Lenyomva bármelyik gombot a fényekre vonatkozó gombokon kívül, a páraelszívó visszatér a rendes üzemmódba (pl. ha lenyomják a **D** gombot, érvénytelenítve lesz **“clean air”** (tisztá levegő) funkció és a motor 2-es sebességre lesz beállítva; a **B** gomb lenyomásával a funkció ki lesz kapcsolva).

(*) A **“LEÁLLÍTÁS AUTOMATIKUS KÉSLELTETÉSE”** megakadályozza az elszívó kikapcsolását és a búra a funkció bekapcsolásakor folyamatban levő üzembességben fog működni még 15 perccel.

• A zsírszűrők/aktív szénzsűrők telítődése:

-Amikor az **A 2 másodperces** időközönként villog, mossa el a zsírszűrőket.

-Amikor az **A gomb 0,5 másodperces** időközönként villog a mossa el vagy cserélje ki az aktív szénzsűrőt (a szűrő típusától függően).

Miután visszahelyezte a tiszta szűrőt, az elektromos memória nullázásához nagyjából **öt másodpercre** tartsa lenyomva az **A** gombot, míg az villogni nem kezd!

• **Vezérlés (22.ábra):**

A billentyű = Be- illetve kikapcsolja a világítást.

B billentyű = Be- illetve kikapcsolja a páraelszívót. A készülék az 1. sebességnél kapcsol be. Ha az elszívó be van kapcsolva, a kikapcsoláshoz 2 másodpercig tartsa lenyomva a billentyűt. Ha az elszívó az első sebességre van állítva, nem szükséges a kikapcsoláshoz lenyomva tartani a billentyűt. Csökkenti a motor sebességét.

C kijelző = A motor kiválasztott sebességét valamint az időrelé bekapcsolását jelzi.

D billentyű = Bekapcsolja az elszívót. Növeli a motor sebességét. Ha a billentyűt a 3. sebességben nyomja meg, 10 percre bekapcl az intenzív funkció, ezután a készülék visszatér a funkció kiválasztását megelőző üzemi sebességbe. A funkció működése alatt a display villog.

E billentyű = A Timer, az aktiválás pillanatában, időzíti a funkciókat 15 percre, miután a funkciók kikapcsoltak. A Timer kikapcsolható az **E** billentyű megnyomásával. Amikor a Timer funkció aktív, a kijelzőn a tizedesponznak villognia kell. Ha az intenzív sebesség működésben van, a Timert nem lehet aktiválni.

Az **E** billentyű 2 másodpercig tartó megnyomásával, ha a készülék ki van kapcsolva, aktiválódik a **“clean air”** funkció. Ezzel bekapcsolódik a motor minden órában 10 percre első sebességre. Működés közben a kijelzőnek a perifériás részek forgó mozgását kell mutatnia. Ennek az időnek az elteltével a motor kikapcsol és a kijelzőn meg kell jelennie a nem villogó **“C”** betűnek egészen addig, amíg újabb 50 perc múlva a motor további 10 percre újraindul stb. A normál üzemmódba való visszaálláshoz nyomjon meg egy tetszés szerinti gombot, kivéve a világítás gombot. A funkció kikapcsolásához nyomja meg az **E** gombot.

• **A zsírszűrők/aktív szénzsűrők telítődése:**

-Amennyiben a **C** kijelzőn az aktuális sebességfokozat és az **F** betű villog felváltva (pl. 1 és **F**), a zsírszűrőket meg kell mosni.

-Amikor a **C** kijelzőn az aktuális sebesség fokozat és az **A** betű (pl.1 és **A**) felváltva villog, mossa el vagy cserélje ki az aktív szénzsűrőket (a szűrő típusától függően).

Miután visszahelyezte a tiszta szűrőt, az elektromos memória nullázásához nagyjából **öt másodpercre** tartsa lenyomva az **A** gombot, míg a **C** kijelzőn az **F**, vagy **A** jelzés villogása abba nem marad!

• **Kezelőszervek (23.ábra)** : a jelölésekhez tartozó magyarázat:

A = VILÁGÍTÁS kapcsoló

B = KIKAPCSOLÓ / ELSŐ SEBESSÉGFOKOZAT gomb

C = MÁSODIK SEBESSÉGFOKOZAT gomb

D = HARMADIK SEBESSÉGFOKOZAT gomb.

Ha az elszívó első, második vagy harmadik sebességfokozatban működik, amikor kikapcsolja, a visszakapcsoláskor az elszívó ugyanabban a sebességfokozatban indul el, mint amelyikben a kikapcsolás pillanatában működött.

A HASZNÁLATI UTASÍTÁS BE NEM TARTÁSÁBÓL EREDŐ KÁROKÉRT SEMMINEMŰ FELELŐSÉGET NEM VÁLLALUNK.

GENERELT

Les denne bruksanvisningen nøye. Her gis viktig informasjon angående sikker installering, bruk og vedlikehold av apparatet. Ta vare på bruksanvisningen for fremtidige behov. Apparatet er laget for å kunne brukes i avtrekksversjon (suge ut luft utenifra - Fig.1B), filterversjon (resirkulere luft innvendig - Fig.1A) eller versjon med ekstern motor (Fig.1C).

SIKKERHETS INFORMASJON

1. Vær forsiktig dersom en vifte med utvendig avløp benyttes i samme rom som en brenner eller en ovn som ikke går på elektrisk strøm, da viften trekker ut luften brennere eller ovnen trenger til forbrenningen. Det negative trykket i rommet må ikke overstige 4 Pa (4x10⁻⁵ bar). For sikker bruk må man derfor sørge for tilstrekkelig ventilasjon av lokalet. Avtrekket skal utføres i henhold til gjeldende forskrifter.

Før modellen kobles til det elektriske systemet:

- Kontroller typeskiltet (befinner seg inni apparatet) for å kontrollere at spenning og styrke er i samsvar med strømmettet og at forbindelsekontakten er egnet. Er du i tvil ta kontakt med en kvalifisert elektriker.
- Dersom strømledningen er ødelagt, må denne byttes ut med en kabel eller en spesialenhet som kan skaffes hos produsenten eller serviceavdelingen til produsenten.
- Koble anordningen til strømtilførselen ved hjelp av et støpsele med sikring 3A eller til de to ledningene til bifasen beskyttet av en sikring 3A.

2. Advarsel!

I noen situasjoner kan elektriske apparater utgjøre en fare.

- A) Ikke kontrollere filtrens tilstand mens avtrekket er i bruk.
- B) Ikke berøre lyspærene eller de nærliggende områdene under eller rett etter lengre bruk av belysningsanlegget.
- C) Det er forbudt å stekte mat med flammer under avtrekket.
- D) Unngå åpen ild, siden den skader filtrene og kan medføre brann.
- E) Hold frityrsteking av mat konstant under kontroll, for å unngå at oljen tar fyr.
- F) Trekk ut støpselet fra stikkkontakten før du foretar vedlikeholdsarbeid.
- G) Apparatet er ikke ment til brukes av barn eller ikke selvstendige personer uten overvåking.
- H) Overvåk barna for å være sikre på at de ikke leker med ovnen.
- I) Når avtrekket benyttes samtidig med apparater som brenner gass eller andre brennstoffer, må rommet være passende utluftet.
- L) Hvis rengjøringsinngrepene ikke utføres i samsvar med anvisningene, er det fare for at det kan oppstå en brann.

Dette apparatet er merket i samsvar med det europeiske direktivet EC/96/2002, "Waste Electrical and Electronic Equipment" (WEEE). Ved å forsikre seg om at dette produktet blir avsatt på korrekt måte vil brukeren bidra til å hindre potensielt negative effekter for miljø og helse.



Symbolet på produktet, eller i den medfølgende dokumentasjonen viser til at dette produktet ikke må behandles som husholdningsavfall, men må leveres inn

til spesialinnsamling for elektriske og elektroniske produkter for resirkulering.


Man må kvitte seg med apparatet slik lokale regler for avsetning og resirkulering tilsier. For nærmere informasjon om behandling, gjenvinning og resirkulering av dette produktet må man kontakte det lokale avfallsselskap, offentlig kontor med ansvar for søppelinnsamling eller butikken der produktet ble kjøpt.


INSTALLASJONSVEILEDNING

- **Montering og elektriske koblinger må utføres av kvalifisert personale.**
- **Bruk vernehansker under monteringsarbeidet.**

• Elektrisk tilkobling:

Merkl! Verifiser datamerket som finnes på innsiden av apparatet:

- Hvis symbolet  vises på platen, betyr det at ingen jordforbindelse må gjøres på apparatet, følg derfor instruksjonene for isolasjonsklasse II.

- Hvis symbolet  IKKE vises på platen, følg instruksjonene for isolasjonsklasse I.

Isolasjonsklasse II

Apparatet er fremstilt i klasse II, ingen leder skal derfor kobles til jord.

Støpselet må være lett tilgjengelig etter installasjon av apparatet.

Hvis apparatet er utstyrt med en strømledning uten støpsele, må en omnipolar bryter i passende størrelse med 3 mm minimum åpning mellom kontaktene festes mellom apparatet og strømforsyningen i overensstemmelse med lasten og strømforskriftene.

Tilkobling til strømmettet utføres på følgende måte:

BRUN = L strømførende

BLÅ = N nulleleder.


Isolasjonsklasse I


Dette apparatet tilhører klasse I, av elektriske apparater og må derfor kobles til jordet kontakt.

Tilkoblingen til strømforsyningen må utføres på følgende måte:

BRUN = L linje

BLÅ = N nøytral

GUL/GRØNN =  jording.

Den nøytrale tråden må kobles til pluggen med symbolet N mens den GRØNN/GULE, tråden må kobles til pluggen nær jordings symbolet .

Ved elektrisk tilkobling må man forsikre seg om at kontakten er jordet.

Etter montering av oppsugingsviften må man kontrollere at el-kontakten lett kan nås i den endelige posisjonen.

Ved direkte påkobling til strømmettet er det nødvendig å sette inn en flerpol-bryter mellom apparatet og strømmettet med en minimumsavstand på 3 mm mellom kontaktene, og som er egnet til strømbehovet og i overensstemmelse med gjeldende regler.

- Avstanden fra støtteoverflaten hvor kokekarene står på kokeoverflaten og laveste punkt på kjøkkenheten må være minst **65 cm**. Dersom det benyttes en avtrekkskanal bestående av to eller flere deler, skal den øvre delen tres utenpå den nedre. Koble ikke ventilatoravtrekket til et rør der det

passerer varmluft eller røyk fra apparater som ikke går på strøm. Ta ut det/de fetthemmende filteret/filtrene (Fig.15) før du begynner med monteringen. Dette gjør det lettere å manøvrere apparatet.

- I anledning montering av apparatet i avtrekksversjon, forbered på forhånd hullet for luftervakuering.

• Det anbefales å bruke et lufttømmerør med samme diameter som veggventilens munning. Bruk av et reduksjonsrør kan forringe produktets ytelse og øke støyen.

Merk!

- For å installere dette produktet har man behov for hjelp fra en annen person.

Vær oppmerksom!

- Før apparatet installeres må man feste koplingsboksen **D**.
- Løft opp koplingsboksen og følg **trinn 1-2-3** som indikeres i figur 2.

- Plasser skinnen i samsvar med de tre skruene **G**, alt plassert på bøsningen, og skru dem fast som vist i trinn 4 - figur 2.

- Fest luftens utsugningsrør **H** (er ikke medlevert) til luftuttaketets flens **F**, som indikert i figur 2.

• Montering av avtrekksheten:

- Hent frem struktur **D** fra emballasjen og fest den til motorens bøsning med de 4 skruene **E** fig.3.

- Ta vekk de 2 skruene **A** som holder den øverste strukturen **B** fast til den nederste **C**, som indikert i fig.4.

- Reguler til ønsket høyde og blokker hetten med de 8 medleverte skruene **G**. Vær oppmerksom på verdien som indikeres i figur 5.

- Koble den nederste kaminen **A** til den øverste **B** og før dem inn i strukturen, som indikert i figur 6.

- Plasser hullsablongen i taket. Vær nøye med at pilen er plassert på samme side som apparatets kommandoer (Fig.7).
- Lag 4 hull Ø8 i taket og skru til 3 skruer uten å skru dem helt fast. Pass på at det ikke føres en skrue inn i hullet som er merket med en **X** på hullsablongen, fig.8 (skruer og ekspansjonsbolter må være egnet for den type mur/vegg man har).

- Finn frem hetten og før den øverste teleskopiske strukturen inn på de 3 skruene **E**. Ikke skru dem helt fast til de 3 hullene. Vri deretter lett på hetten slik at den hekter seg på, som indikert i figur 9 - trinn 1-2.

Skrue til den fjerde skruen **X** og fest de siste 3, slik at strukturens øverste del **B** skrues helt fast, som indikert i figur 9 - trinn 3-4.
- **Versjon med sugevifte:** Fest slangen til luftuttaketets hull (Fig.10).

- Filtreende versjon:

- Kopl slangen **H** til luftretter **M** og fest skrue **I** som indikert i (Fig.11).

Filtrene må anvendes på sugeenheten inne i hetten ved å plassere dem i midten av denne og deretter vris 90 grader, helt til de klikker på plass (Fig.16).

- Utfør den elektriske koblingen (fig.12).

- Fest den øvre kaminen **B** til strukturen ved hjelp av de 4 skruene **F** (fig.13).

- Dersom ditt apparat er utstyrt med nedre rördel som må festes til hettens base med skruer, ta fettfiltrene ut av hetten ved hjelp av håndtakene (Fig.15).

- Om nødvendig, feste den nedre dekanalen til avtrekket innenfra, ved bruk av skruene **P** (Fig.13). Sørg deretter for å sette på plass igjen filtrene.

BRUK OG VEDLIKEHOLD

• Vi anbefaler at kjøkkenviften slås på før du tilbereder mat.

Vi anbefaler også at apparatet får stå på i 15 minutter etter at maten er ferdig, slik at all forurenset luft elimineres. Den effektive ytelsen til kjøkkenviften avhenger av stadig vedlikehold; antifettfilteret og det aktive karbonfilteret krever begge ekstra vedlikehold.

• **Antifettfilteret** brukes til å samle opp alle fettpartikler som finnes i lufta, og dermed er det utsatt for metning (tiden det tar for at filteret blir fullt avhenger av måten apparatet brukes på).

- For å unngå fare for brann, må man vaske fettfiltrene minst hver 2. måned for hånd med et mildt, ikke-slipende flytende vaskemiddel eller i oppvaskmaskin ved lave temperaturer og korte sykluser.

- Etter noen vask, kan fargeendringer forekomme. Dette gir ikke rett til erstatning.

• **Aktive kullfilter** brukes for å rense luften som sendes ut i rommet igjen og har som funksjon å dempe lukten som oppstår ved matlaging.

- Aktive kullfilter som ikke kan regenereres må byttes må byttes ut minst hver 4.måned. Metningsnivået til kullfilteret avhenger av brukshyppigheten til apparatet, typen matlaging som utføres og hvor regelmessig antifettfiltrene rengjøres.

- Aktive kullfilter som kan regenereres må vaskes for hånd med et mildt, ikke-slipende flytende vaskemiddel eller i oppvaskmaskin på maks 65°C (hele vaskesyklusen må utføres og uten service). Fjern overflødig vann uten å skade filteret, fjern delene i plast, og la matten tørke i ovnen i minst 15 minutter med en temperatur på maks 100°C. For å beholde funksjonen til kullfilteret som kan regenereres må denne operasjonen gjentas hver 2. måned. Disse må byttes minst hvert 3. år eller når matten er skadet.

• **Før man setter på plass fettfiltrene og de aktive kullfilterne er det viktig at disse er helt tørre.**

• **Rengjør kjøkkenviften ofte, både på innsiden og utsiden, ved bruk av en klut som er fuktet i denaturisert alkohol eller nøytralt flytende vaskemiddel uten skureeffekt.**

• Belysningsanlegget er prosjektert for bruk under matlaging og ikke for lengre opplysning av rommet. Forlenget bruk av belysningen minsker varigheten av lyspærene betraktelig.

• Dersom apparatet er utstyrt med innvendig lys kan dette brukes over lenger tid for en generell belysning i rommet.

• **Advarsel:** hvis man ignorerer advarslene som gjelder rengjøring av hetten og bytte og rengjøring av filter kan forårsake brann. Det anbefales derfor å følge disse instruksjonene.

• Utskifting av halogene lyspærer (Fig.17):

For å skifte ut de halogene lyspærene **B** ta av glasset **C** ved å trykke på hakkene.

Skifte ut med lyspærer av samme type.

Advarsel: ikke ta på lyspærene med bare hender.

• Bytting av LED lamper (Fig.18):

Hvis apparatversjonen er utstyrt med LED lamper, må disse byttes ut av en faglært tekniker.

• Bytte ut lyspærer/halogenpærer (Fig.19):

Bruk kun pærer som er av samme type og styrke som den som er på apparatet.

• **Kontroller (Fig.20) mekaniske** benyttes følgende symboler:

A = tast for BELYSNING

B = tast for OFF (AV)

C = tast for FØRSTE HASTIGHET

D = tast for ANNEN HASTIGHET

E = tast for TREDJE HASTIGHET.

• **Kontroller med lys (Fig.21)** benyttes følgende symboler:

A = tast for BELYSNING

B = tast for OFF (AV)

C = tast for FØRSTE HASTIGHET

D = tast for ANNEN HASTIGHET

E = tast for TREDJE HASTIGHET

F = tast TIDSURE AUTOMATISK STOPP 15 minutter (*)

Hvis apparat er utstyrt med funksjonshastigheten **INTENSIV**, trykker man på tast **E** i 2 sekunder fra TREDJE hastighet, slik at den aktiveres i 10 minutter før den går tilbake til forrige innstilte hastighet.

LED blinker når funksjonen er aktivert.

For å avbryte funksjonen før det har gått 10 minutter, trykker man en til gang på **E**.

På enkelte modeller er det også mulig å aktivere funksjonen fra første og andre hastighet.

Ved å trykke på tasten **F** i 2 sekunder (når viften er avslått), aktiveres funksjonen "clean air".

Denne funksjonen gjør at motoren startes i 10 minutter hver time på laveste hastighet.

Med en gang funksjonen aktiveres, starter motoren på laveste hastighet og varer i 10 minutter. I disse 10 minuttene blinker både tasten **F** og tasten **C**. Etter disse 10 minuttene stopper motoren og lyset til tasten **F** forblir påslått inntil motoren starter igjen etter 50 minutter. Da begynner lysene til **F** og **C** å blinke igjen i 10 minutter osv.

Ved å trykke på en hvilken som helst tast, bortsett fra den for lyset, går avtrekkskappen tilbake til normal funksjon (f. eks. hvis man trykker på tast **D** deaktiveres funksjonen "clean air" og motoren stilles inn på 2^o hastighet; ved å trykke på tast **B** deaktiveres funksjonen).

(*) Med funksjonen "TIDSUR AUTOMATISK STOPP" utsettes stans av ventilatoren, som vil fortsette å gå i 15 minutter på samme hastighet som da funksjonen ble aktivert.

• **Overmetning av aktivt-karbonfilteret/avfettingsfilteret:**

-Når tasten **A** blinker med en frekvens på **2 sek.**, er det nødvendig å gjøre rent avfettingsfiltrene.

-Når tasten **A** blinker med en frekvens på **0,5 sek.** må de aktive kullfiltrene rengjøres eller byttes ut avhengig av type filter. Deretter settes det rene filteret tilbake på plass, og man stiller så tilbake minnet ved å trykke på tast **A** i ca **5 sekunder**, helt til det slutter å blinke.

• **Kontroller (Fig.22):**

Tast A = Lys på/av.

Tast B = Ventilator på/av. Apparatet starter på 1. hastighet. Dersom ventilatoren er på, trykker man 2 sekund på knappen for å slå den av. Dersom ventilatoren befinner seg på 1. hastighet er det ikke nødvendig å holde knappen inne for å slå den av. Motorhastighet reduseres.

Display C = Indikerer den valgte motorhastigheten og aktivering av tidsur.

Tast D = Starter ventilatoren. Øker motorens hastighet. Ved å trykke på tasten fra 3. hastighet vil intensiv-funksjonen aktiveres i 10 minutter. Deretter vil apparatet gjenoppta den normale hastigheten det gikk på da funksjonen ble aktivert. Displayet vil blinke så lenge funksjonen er aktivert.

Tast E = Tidsbryteren bryter av funksjonene etter en bestemt tid, etter at denne er blitt akivert vil funksjonene slå seg av etter 15 minutter. Tidsbryteren vil bli deaktivert ved å trykke en gang til på tast **E**. Når tidsbryterfunksjonen er aktiv vil man på skjermen se desimalpunktet som blinker. Dersom intensiv hastighet er på kan ikke tidsavbrudd aktiveres.

Ved å trykke på tast **E** i 2 sekunder med avslått apparat vil funksjonen "clean air" aktiveres. Denne funksjonen slår på motoren i 10 minutter hver time, ved laveste hastighet. Under bruk må skjermen vise rotasjonsbevegelsen til de ytre segmentene. Når denne tiden er gått, vil motoren slå seg av og man vil på skjermen kunne se bokstaven "C" lyse, helt til motoren starter opp igjen etter 50 minutter for å være i virksomhet 10 minutter til. For å gå tilbake til normal funksjon trykk på en hvilken som helst tast med unntak av lystastene. For å deaktivere funksjonen trykk på tasten **E**.

• **Overmetning av aktivt-karbonfilteret/ avfettingsfilteret:**

-Når man skjermen **C** ser at bokstaven **F** blinker, med vekslende hastighet, (f.eks.1 og **F**) må fettfiltrene rengjøres.

-Når display **C** blinker og viser vekselvis nivået for utsugnings-effekt og bokstaven **A** (eks.1 og **A**) må de aktive kullfiltrene rengjøres eller byttes ut avhengig av type filter.

Etter at det rene filteret er plassert riktig, skal det elektroniske minnet tilbakestilles ved å trykke på knappen **A** i ca. **5 sekunder**, inntil indikasjonen **F** eller **A** som vises på displayet **C** slutter å blinke.

• **Mekaniske kommandoer (Fig.23) :** forklaring av symboler:

A= tast for LYS / ON-OFF

B= tast for OFF / FØRSTE HASTIGHET

C= tast for ANDRE HASTIGHET

D = tast for TREDJE HASTIGHET

Hvis hetten slukkes når den er plassert på første, andre eller tredje hastighet, vil den starte ved samme hastighet når den slås på igjen.

PRODUSENTEN FRASKRIVER SEG ETHVERT ANSVAR FOR SKADER SOM SKYLDES AT OVENNEVNTE RETNINGSLINJER IKKE ER BLITT FULGT.

INFORMACJE OGÓLNE

Należy zapoznać się dokładnie z niniejszym tekstem, zawierającym wskazówki, dotyczące bezpieczeństwa przy instalacji, eksploatacji i konserwacji okapu kuchennego. Należy zachować niniejsze instrukcje także dla późniejszych konsultacji. Urządzenie zostało zaprojektowane w wersji zasysającej (odprowadzanie powietrza na zewnątrz – Rys.1B), filtrującej (recyrkulacja powietrza wewnątrz – Rys.1A) lub z silnikiem zewnętrznym (Rys.1C).

UWAGI O BEZPIECZEŃSTWIE

1. Nie należy używać jednocześnie okapu kuchennego i paleniska lub kominka zależnych od powietrza w pomieszczeniu i niezasilanych energią elektryczną, ponieważ okap zużywa powietrze potrzebne do ich spalania.

Ciśnienie ujemne w pomieszczeniu nie powinno przekraczać 4 Pa (4×10^{-5} bar). Należy więc zadbać o prawidłową wentylację w pomieszczeniu, konieczną dla bezpiecznego funkcjonowania urządzenia. Przy odprowadzaniu dymu na zewnątrz, należy przestrzegać norm obowiązujących w waszym kraju.

Przed podłączeniem modelu do sieci elektrycznej:

- Skontrolować tabliczkę znamionową (znajdującą się wewnątrz urządzenia) aby upewnić się, że napięcie i moc są odpowiednie dla danej sieci i, że gniazdo wtykowe połączenia jest odpowiednie. W przypadku wątpliwości zwrócić się do wykwalifikowanego elektryka.

- Jeśli przewód zasilana jest uszkodzony powinien zostać wymieniony na przewód lub specjalny zespół dostępny u producenta lub u jego obsługi technicznej.

- Podłączyć urządzenie do gniazda zasilającego poprzez wtyczkę z bezpiecznikiem topikowym 3A lub dwupolowym przewodem z bezpiecznikiem topikowym 3A.

2. Uwaga!

W niektórych sytuacjach urządzenia elektryczne mogą stanowić zagrożenie.

A) Nie kontrolować stanu filtrów, gdy okap jest włączony.

B) Nie dotykać lamp lub stref przyległych podczas lub zaraz po przedłużonym używaniu oświetlenia.

C) Zabronione jest gotowanie potraw na ogniu pod okapem.

D) Należy unikać wolnego ognia, ponieważ uszkadza filtry i może spowodować pożar.

E) Należy stale kontrolować gotowane potrawy, aby uniknąć zapalenia wrzącego oleju.

F) Wyjąć wtyczkę z gniazda przed przystąpieniem do konserwacji.

G) Urządzenie nie jest przeznaczone do używania przez dzieci lub niezdolne osoby bez nadzoru.

H) Należy pilnować dzieci, aby upewnić się, że nie bawią się urządzeniem.

I) Jeśli okap zostanie użyty jednocześnie z urządzeniami spalającymi gaz lub inne paliwa należy pamiętać o zagwarantowaniu dobrej wentylacji pomieszczenia.

L) Jeśli czynności związane z czyszczeniem nie zostaną wykonane zgodnie z instrukcjami, istnieje zagrożenie wywołania pożaru.

Niniejsze urządzenie oznaczone jest zgodnie z dyrektywa europejska 2002/96/EC, Waste Electrical and Electronic Equ-

ipment (WEEE). Upewniwszy się, że niniejszy produkt zostanie zutilizowany we właściwy sposób, użytkownik przyczynia się do ochrony przed potencjalnymi konsekwencjami negatywnymi dla środowiska i zdrowia.



Symbol podany na produkcie lub na dokumentacji towarzyszącej mu wskazuje, że produkt ten nie powinien być traktowany jako odpad domowy, lecz powinien być przekazany w stosownym punkcie zbiórki w celu odzyskania urządzeń elektrycznych i elektronicznych.

Pozbywać się go zgodnie z miejscowymi normami w zakresie utylizacji odpadów. Dla uzyskania dodatkowych informacji na temat traktowania, odzyskiwania i recyklingu tego produktu, należy skontaktować się z odpowiednim lokalnym biurem, służbą odpadów domowych lub ze sklepem, w którym produkt został zakupiony.

INSTRUKCJE DO INSTALACJI

• Czynności montażu i podłączenia elektrycznego powinny być dokonane przez wyspecjalizowany personel.

• Przed przystąpieniem do czynności montażowych założyć rękawice ochronne.

• Podłączenie elektryczne:

Uwaga! Skontrolować tabliczkę znamionową znajdującą się wewnątrz urządzenia:

- Jeśli na tabliczce znajduje się symbol oznacza to, że urządzenie nie musi być uziemione, należy wykonać instrukcje dotyczące klasy izolacji II.

- Jeśli na tabliczce NIE znajduje się symbol oznacza to, że należy wykonać instrukcje związane z klasą izolacji I.

Klasa izolacji II

Urządzenie skonstruowane jest według klasy II, dlatego przewody nie muszą być uziemione.

Wtyczka musi być łatwo dostępna po instalacji urządzenia.

W przypadku, gdy urządzenie wyposażone jest w kabel bez wtyczki, w celu jego podłączenia należy umieścić pomiędzy urządzeniem a siecią wyłącznik wielobiegunowy z minimalnym otwarciem między stykami wynoszącym 3 mm, przystosowany do obciążenia i zgodny z obowiązującymi normami.

Podłączenie do sieci elektrycznej powinno być przeprowadzone następująco:

BRAZOWY = L linia

BIŁY = N zerowy.

Klasa izolacji I

Urządzenie to wykonane zostało w klasie I, dlatego powinno być podłączone do uziemienia.

Podłączenie do sieci elektrycznej powinno zostać wykonane w następujący sposób:

BRAZOWY = L linia

NIEBIESKI = N neutralny

ŻÓŁTO/ZIELONY = uziemienie.

Przewód neutralny powinien zostać podłączony do zacisku oznaczonego symbolem N, natomiast przewód ŻÓŁTO/ZIELONY powinien zostać podłączony do zacisku w sąsiedztwie symbolu uziemienia .

Podczas czynności podłączania elektrycznego należy upewnić się, czy gniazdko wyposażone jest w bolec uziemienia. Po zamontowaniu okapu odciążu należy upewnić się, czy

gniazdko elektryczne jest łatwo dostępne. W przypadku bezpośredniego podłączenia do sieci elektrycznej koniecznym jest umieszczenie pomiędzy urządzeniem a siecią wyłącznika wielopolowego z minimalnym otwarciem między stykami wynoszącym 3 mm, przystosowanego do obciążenia zgodnego z obowiązującymi normami.

- Minimalna odległość między płaszczyzną nośną naczyń urządzenia kuchennego i najbliższą częścią okapu kuchennego powinna wynosić przynajmniej **65 cm**.

Przy zastosowaniu rury łączącej składającej się z dwóch lub kilku części, część górna rury musi znajdować się wewnątrz części dolnej.

Nie należy łączyć przewodu wyciągowego okapu z przewodem, w którym krąży gorące powietrze lub z przewodem przeznaczonym do odprowadzania dymu z urządzeń zasilanych energią inną niż energia elektryczna. Przed przystąpieniem do montażu, należy wyłączyć filtr (Rys.15) w celu łatwiejszego manipulowania urządzeniem.

- W przypadku montażu urządzenia w wersji ssącej przyczołować otwór odprowadzenia powietrza.

- Sugeruje się, aby używać przewodu do oprowadzania powietrza o takiej samej średnicy jak otwór wylotowy. Używanie przewężenia może zmniejszyć sprawność produktu i zwiększyć hałas.

Adnotacja!

- Przeprowadzenie instalacji niniejszego wyrobu wymaga pomocy jeszcze jednej osoby.

Uwaga!

- Przed rozpoczęciem instalowania urządzenia, należy przyczołować skrzynkę instalacji elektrycznej **D**.

- Podnieść skrzynkę instalacji elektrycznej i wykonać **fazy 1-2-3** wskazane na rysunku 2.

- Umieścić listwę przy 3 śrubach **G** umieszczonych na tulejce i przykręcić je zgodnie ze wskazówkami podanymi w fazie 4 - rysunek 2.

- Przyczołować rurę usuwającą powietrze **H** (nieobjęta dostawą) do kołnierza wylotu powietrza **F** zgodnie z rysunkiem 2.

• Montaż okapu:

- Wyjąć element **D** z opakowania i przyczołować go do tulejki silnika przy pomocy 4 śrub **E** rys.3.

- Wyjąć 2 śruby **A**, które mocują strukturę górną **B** do struktury dolnej **C** zgodnie z rys.4.

- Ustawić odpowiednią wysokość zwracając uwagę na wartości wskazane na rysunku 5 i zablokować przy pomocy 8 dostarczonych śrub **G**.

- Połączyć komin dolny **A** z kominem górnym **B** i włożyć do struktury zgodnie z rysunkiem 6.

- Umieścić wzornik wiercenia na suficie uważając, aby strzałka była skierowana w tę samą stronę co panel kontrolny urządzenia (Rys.7).

- Wywiercić 4 otwory $\varnothing 8$ w suficie i wkręcić 3 śruby niedokręcając ich całkowicie oraz uważając, aby nie włożyć śruby do otworu oznaczonego na wzorniku wiercenia przy pomocy **X** rys.8 (śruby i kołki rozporowe muszą być dostosowane do rodzaju ściany).

- Uchwycić okap i założyć górną strukturę teleskopową na 3 śruby **E**, które nie zostały całkowicie dokręcone przy 3 otworach i wykonać niewielki obrót do zaczeplenia zgodnie z rysunkiem 9 - faza 1-2.

Wkręcić czwartą śrubę **X** i dokręcić pozostałe 3 w celu umożliwienia ostatecznego zablokowania górnej części struktury **B** zgodnie z rysunkiem 9 - faza 3-4.

- **Wersja z zasysaniem:** Przyczołować giętki przewód rurowy do przewidzianego otworu usuwania powietrza (Rys.10).

- Wersja filtrująca:

- Podłączyć giętki przewód rurowy **H** do deflektora **M** i przyczołować śrubę **I** zgodnie ze wskazówkami (Rys.11).

Filtry muszą zostać umieszczone w zespole zasysającym znajdującym się wewnątrz okapu, wyśrodkowane względem niego i należy je przekręcić na 90 stopni, aż do ich zablokowania (Rys.16).

- Wykonać połączenie elektryczne (rys.12).

- Przyczołować komin górny **B** do struktury przy pomocy 4 śrub **F** (rys.13).

- Jeżeli Wasze urządzenie jest wyposażone w dolny komin, który powinien być zamocowany do korpusu okapu przy użyciu śrub, usunąć z okapu filtry przeciwłuszczowe posługując się w tym celu specjalnymi uchwytami (Ryc.15).

- Jeśli jest to konieczne, przyczołować od wewnątrz dolny komin do okapu, używając śrub **P** (Rys.13).

Na koniec ponownie ulokować filtry na ich miejscach.

EKSPLOATACJA I KONSERWACJA

- Zaleca się uruchomienie urządzenia przed przystąpieniem do gotowania jakiegokolwiek potrawy. Zaleca się, aby nie wyłączać urządzenia przez około 15 minut po zakończeniu gotowania potraw w celu całkowitego usunięcia nieswieżego powietrza. Prawidłowe działanie okapu uwarunkowane jest prawidłową i regularną konserwacją; szczególną uwagę należy zwrócić na filtr przeciwłuszczowy oraz na filtr z węglem aktywnym.

- **Filtr przeciwłuszczowy** ma za zadanie zatrzymywanie cząsteczek tłuszczu zawieszonych w powietrzu, dlatego narażony jest na zatkanie, które może nastąpić w różnym czasie, zależnie od eksploatacji urządzenia.

- Aby zapobiec ewentualnemu ryzyku pożaru, maksymalnie co 2 miesiące należy ręcznie myć filtry przeciwłuszczowe, używając płynnych neutralnych nie ściernych środków czyszczących lub też myć je w zmywarce przy niskiej temperaturze i krótkich cyklach mycia.

- Po kilku umyciach, ich kolor może się zmienić. Nie stanowi to powodu do reklamacji w celu ewentualnej wymiany.

- **Filtry z węglem aktywnym** służą do oczyszczania powietrza, które jest wypuszczane do otoczenia oraz zatrzymują nieprzyjemne zapachy powstające podczas gotowania.

- Filtry z węglem aktywnym nieregenerowane muszą być wymieniane maksymalnie co 4 miesiące. Nasycenie węgla aktywnego zależy od przedłużonego lub nie użycia urządzenia, rodzaju kucharki oraz częstotliwości czyszczenia filtra przeciwłuszczowego.

- Filtry z węglem aktywnym regenerowane muszą być myte ręcznie, neutralnymi nie ściernymi środkami myjącymi lub w zmywarce w maksymalnej temperaturze 65°C (cykl mycia musi być całkowity bez naczyń). Usunąć nadmiar wody uważając aby nie uszkodzić filtra, zdjąć plastikowe części i wysuszyć poduszkę w piekarniku przez około 15 minut w maksymalnej temperaturze 100°C. Aby utrzymać skuteczność filtra węglowego regenerowanego, taka czynność musi być powtarzana co 2 miesiące. Muszą być one wymieniane maksymalnie co 3 lata lub, gdy poduszka zostanie uszkodzona.

- **Przed ponownym zamontowaniem filtrów przeciwłuszczowych i filtrów z węglem aktywnym regenerowanych muszą być one dokładnie wysuszone.**

- **Często myć okap, zarówno wewnątrz, jak i na zewnątrz, przy pomocy szmatki zwilżonej denaturatem lub neutralnym środkiem myjącym w płynie, nie ściernym.**

- Instalacja oświetleniowa zaprojektowana jest do użytkowa-

nia podczas gotowania, a nie do długotrwałego użycia jako oświetlenie główne pomieszczenia. Przedłużone użytkowanie oświetlenia zmniejsza znacząco średnią trwałość żarówek.

• Jeżeli urządzenie jest wyposażone w oświetlenie otoczenia, może być ono używane przez dłuższe okresy jako ogólne oświetlenie.

• **Uwaga:** nieprzestrzeganie wskazówek dotyczących czyszczenia okapu i wymiany oraz czyszczenia filtrów powoduje ryzyko pożaru. Dlatego też, zaleca się przestrzeganie podanych instrukcji.

• Wymiana lamp halogenowych (Rys.17):

Aby wymienić lampy halogenowe **B** ściągnąć szkiełko **C** wykorzystując do tego odpowiednie otwory. Wymienić lampy na takie same.

Uwaga: nie dotykać lampy gołą ręką.

• Wymiana lampek LED (Rys.18):

Jeżeli wersja urządzenia posiada lampki LED, w celu ich wymiany konieczna jest interwencja wyspecjalizowanego technika.

• Wymiana lampek żarówek/halogenów (Rys.19):

Używać jedynie lampek tego samego rodzaju oraz mocy Wat, jak te umieszczone w urządzeniu.

• **Układ sterowania: Stery mechaniczne (Rys.20)** znaczenie symboli jest następujące:

A = przycisk OŚWIETLENIE

B = przycisk WŁĄCZENIE

C = przycisk PIERWSZA PRĘDKOŚĆ

D = przycisk DRUGA PRĘDKOŚĆ

E = przycisk TRZECIA PRĘDKOŚĆ.

• **Układ sterowania (Rys.21)** Stery świetlne znaczenie symboli jest następujące.

A = przycisk OŚWIETLENIE

B = przycisk WŁĄCZENIE

C = przycisk PIERWSZA PRĘDKOŚĆ

D = przycisk DRUGA PRĘDKOŚĆ

E = przycisk TRZECIA PRĘDKOŚĆ

F = przycisk REGULATOR CZASOWY AUTOMATYCZNEGO WYŁĄCZENIA po 15 minutach (*)

Jeżeli Wasze urządzenie jest wyposażone w funkcję prędkości **INTENSYWNA**, poczynając od TRZECIEJ prędkości i przytrzymując wciśnięty przez 2 sekundy klawisz **E**, zostanie ona uaktywniona na 10 minut, a następnie powróci do wcześniej ustawionej prędkości. Gdy funkcja jest aktywna LED miga. Aby przerwać ją przed upływem 10 minut, ponownie nacisnąć na **E**. W przypadku niektórych modeli, można uaktywnić funkcję również na pierwszej i drugiej prędkości.

Przyciskając przycisk **F** przez 2 sekundy (przy wyłączonym okapie) włącza się funkcja "clean air". Ta funkcja powoduje włączanie silnika przez 10 minut co godzinę na pierwszej prędkości. Jak tylko ta funkcja jest włączona silnik włącza się na 1^o prędkość na okres 10 minut podczas tych minut powinny migać jednocześnie przycisk **F** i przycisk **C**. Po upływie tego czasu silnik się wyłącza i LED przycisku **F** świeci się stałym światłem aż do momentu gdy po upływie następnych 50 minut ponownie włącza się silnik na pierwszą prędkość i LED **F** i **C** ponownie migają przez 10 minut i dalej w ten sam sposób. Naciskając na jakikolwiek klawisz z wyjątkiem światełek, okap powróci do normalnego funkcjonowania (np. jeżeli zostanie wciśnięty klawisz **D** zostanie dezaktywowana funkcja "clean air" i silnik będzie ustawiony na 2ej prędkości; naciskając na klawisz **B** funkcja zostanie dezaktywowana).

(*) Funkcja "REGULATOR CZASOWY WYŁĄCZENIA AUTOMATYCZNEGO" opóźni wyłączenie okapu, który będzie funkcjonował przez 15 minut wg regulacji prędkości, jaką posiadał w momencie włączenia takiej funkcji.

• Nасыenie filtrów przeciwtłuszczowych/z węgla aktywnego:

-Kiedy przycisk **A** pulsuje z częstotliwością **2 sec**. Filtry przeciwtłuszczowe wymagają przemycia.

-Gdy przycisk **A** miga z częstotliwością **0,5 sec**. oznacza to, że filtry z węglem aktywnym muszą być wymyte lub wymienione, w zależności od ich rodzaju.

Po ponownym założeniu czystego filtra należy zresetować pamięć elektroniczną wduszając przycisk **A** przez około **5 sec**. aż ustanie pulsowanie.

• Wyświetlacz (Rys.22):

Przycisk A = Przycisk włączający/wyłączający oświetlenie.

Przycisk B = Przycisk włączający/wyłączający urządzenie.

Okap wŕczy się przy 1 prędkości. Przy urzřdzeniu wŕczonym, naciskajřc przycisk przez 2 sekundy, nastřpi wŕczenie okapu. Jeřeli urzřdzenie pracuje przy pierwszej prędkości, aby wyłřczyć okap, nie jest konieczne nacisnięcie przycisku. Silnik będzie pracował przy zmniejszonych obrotach.

Wyświetlacz C = Wskazuje wybraną prędkość i informuje, czy został włączony licznik czasu.

Przycisk D = Uruchamia okap. Naciskając taki przycisk nastąpi wzrost prędkości. Naciskając przycisk urzřdzenie z trzecie prędkości przejdzie w intensywny tryb pracy, który będzie trwał ok. 10 sekund, po czym wróci do funkcjonowania przy wybranej poprzednio prędkości. W czasie uruchomienia takiej funkcji, wyświetlacz zapali się światłem migającym.

Przycisk E = Il Timer reguluje czasowo funkcję, w chwili włączenia, przez 15 minut po ich włączeniu. Il Timer wyłřcza się ponownym wciśnięciem przycisku **E**. Kiedy funkcja Timer jest włączona to na wyświetlaczu dziesiętna pozycja ma migać. Jeřeli włączona jest prędkość intensywna wówczas Timer nie można włřczyć.

Wciśnięciem przycisku **E** na 2 sekundy, gdy urzřdzenie jest włączone, włřcza się funkcję "clean air". Włřczy się wówczas silnik co godzinę na 10 minut przy pierwszej prędkości. Podczas funkcjonowania obrotowy ruch peryferyjnych segmentów. Po tym czasie silnik wyłřczy się i na wyświetlaczu ukaże się litera "C" świecąc się w sposób cięgly przez następane 50 minut, po czasie którym silnik włřczy się i tak dalej. Aby powrócić do normalnego funkcjonowania nacisnąć jakikolwiek przycisk z wyjątkiem przycisku oświetlenia. Aby dezaktywować funkcję, nacisnąć na przycisk **E**.

• Nасыenie filtrów przeciwtłuszczowych/ z węgla aktywnego:

-Kiedy wyświetlacz **C** miga zmieniając prędkość pracy na literę **F** (es.1 e **F**) filtry przeciwtłuszczowe mają być umyte.

-Gdy wyświetlacz **C** miga zmieniając prędkość pracy z literą **A** (np.: 1 i **A**) filtry z węglem aktywnym muszą być wymienione lub umyte lub wymienione w zależności od ich rodzaju.

Po umieszczeniu czystego filtra należy wyzerować elektroniczną pamięć nacisnięciem przycisku **A** na około **5 sekund** aż do momentu, kiedy sygnalizator świetlny **F** lub **A** na wyświetlaczu **C** przestanie migać.

• Przyciski kontrolne (Rys.23) : poniżej podajemy znaczenie symboli:

A= przycisk LUCE / ON-OFF (ŚWIATŁO / ON-OFF)

B= przycisk OFF /PRIMA VELOCITA'(OFF / PIERWSZA SZYBKOŚĆ)

C= przycisk SECONDA VELOCITA'(DRUGA SZYBKOŚĆ)

D = przycisk TERZA VELOCITA' (TRZECIA SZYBKOŚĆ)

Jeżeli okap został wyłączony na pierwszej, drugiej lub trzeciej szybkości, to w chwili ponownego jego włączenia będzie on działał zgodnie z szybkością pracy ustawioną w chwili wyłączenia.

DOSTAWCA UCHYLA SIĘ OD WSZELKIEJ ODPOWIEDZIALNOŚCI ZA EWENTUALNE USTERKI, SPOWODOWANE NIEPRZESTRZEGANIEM WYŻEJ WYMIENIONYCH WSKAZÓWEK.

DESCRIERE GENERALĂ

Citiți cu atenție instrucțiunile de siguranță, utilizare și întreținere cuprinse în acest manual. Păstrați cu grijă manualul de utilizare; pe viitor vă poate folosi. Acest aparat a fost proiectat în trei variante: aspirantă (cu evacuarea aerului la exterior, vezi Fig.1B), filtrantă (recirculația aerului în interior, vezi Fig.1A) sau cu un motor extern (vezi Fig.1C).

INSTRUCȚIUNI DE SIGURANȚĂ

1. Dacă dispuneți de o centrală termică sau de o altă sursă de încălzire care folosește, pentru combustie, aerul din încăpere, aveți grijă să nu funcționeze împreună cu hota, deoarece aceasta absoarbe aerul. Presiunea negativă din încăpere nu trebuie să depășească 4 pascali (4 x 10⁻⁵ bari). Pentru a garanta o funcționare corectă, asigurați-vă că ventilația din încăpere este adecvată. În ceea ce privește evacuarea aerului în mediul înconjurător, respectați normele naționale în vigoare.

Înainte de conectarea modelului la rețeaua electrică:

- Controlați plăcuța cu instrucțiunile (pusă în interiorul aparatului) pentru a vă asigura că tensiunea și energia să fie corespunzătoare acelei de la rețea și priza să fie potrivită. Dacă aveți nelămuriri întrebați pe un electricist calificat.
- În cazul în care cablul este deteriorat, acesta trebuie să fie înlocuit cu un cablu (sau cu un ansamblu) special; pentru aceasta, apălați la fabricant sau la serviciul de asistență tehnică.
- Racordați hota la rețeaua de alimentare, printr-un ștecăr cu siguranță fuzibilă de 3A sau la cele două fire ale rețelei bifazice protejate de o siguranță fuzibilă de 3A.

2. Atenție!

În anumite situații, aparatele electrice pot reprezenta un pericol.

- A) Nu controlați starea filtrelor în timp ce hota este în funcțiune.
- B) Nu atingeți becurile sau zonele apropiate în timpul sau imediat după folosirea îndelungată a instalației de iluminat.
- C) Nu frigeți alimentele direct pe flacără, dacă hota este în funcțiune.
- D) Evitați flăcările deschise, deoarece deteriorează filtrele și pot provoca incendii.
- E) Dacă prăjiți în ulei, nu vă îndepărtați de aragaz, deoarece uleiul fierbinte poate lua foc.
- F) Deconectați ștecherul de la priza de curent înainte de a efectua întreținerea.
- G) Aparatul nu este destinat folosirii de către copii sau de către persoane incapabile fără supraveghere.
- H) Supravegheați copiii, pentru a fi siguri că nu se joacă cu aparatul.
- I) Când hota este folosită în același timp cu alte aparate care ard gaze sau alte combustibile, încăperea trebuie să fie ventilată corespunzător.
- L) Dacă operațiunile de curățare nu sunt efectuate cu respectarea instrucțiunilor, există riscul producerii unui incendiu.

Acest aparat este contrasemnat în conformitate cu Directiva Europeană 2002/96/EC, referitoare la "Waste Electrical and Electronic Equipment (WEEE)". Asigurându-vă că acest produs

este scos din uz în mod corect, dv ca utilizator contribuiți la prevenirea puternicelor consecințe negative asupra mediului înconjurător și asupra sănătății.



Simbolul aplicat pe produs sau pe documentația de însoțire a acestuia vă arată că aparatul trebuie să fie tratat separat de deșeurile casnice; în acest scop el va trebui să fie încredințat unui centru de colectare adecvat, destinat reciclării aparatelor electrice și electronice. Scoaterea din uz a acestor produse este deci supusă normelor locale în materie de tratare a deșeurilor. Pentru informații ulterioare cu privire la tratarea, recuperarea sau reciclarea acestui produs, apălați la biroul local competent, la serviciul de colectare a deșeurilor casnice sau la magazinul de unde ați achiziționat aparatul.

INSTRUCȚIUNI DE MONTAJ

- **Toate operațiile de montaj și conectare electrică trebuie să fie efectuate de personal specializat.**
- **Utilizați mănuși de protecție înainte de a începe operațiunile de montare.**

• Conexiunea electrică:

Notă! Controlați plăcuța de date pusă în interiorul aparatului:

- Dacă pe plăcuță apare simbolul înseamnă că aparatul nu trebuie legat la pământ, executați deci instrucțiunile privind clasa de izolație II.
- Dacă pe plăcuță nu apare simbolul executați instrucțiunile privind clasa de izolație I.

Clasa de izolație II

Hota intră în clasa de construcție II; de aceea, nu este necesar să o conectați la împământare.

Ștecărul trebuie să fie ușor accesibil după instalarea aparatului.

În cazul în care aparatul este prevăzut cu cablu fără ștecăr, pentru a-l conecta la rețeaua electrică este necesară interpunerea între aparat și rețea a unui întrerupător omipolar cu deschiderea minimă între contacte de 3 mm, dimensionat la sarcină și conform normelor în vigoare.

Conectarea la rețeaua electrică trebuie să respecte următoarele indicații:

MARO = L fază
BLEUMARIN = N neutru.

Clasa de izolație I

Acest aparat intră în clasa de construcție I; de aceea, nu este necesar să îl conectați la împământare.

Conectarea la rețeaua electrică trebuie să respecte următoarele indicații:

MARO = L fază
BLEUMARIN = N neutru
GALBEN/VERZUI = împământare.

Cablul de nul trebuie să fie conectat la borna cu simbolul N în timp ce cel GALBEN/VERZUI, trebuie să fie conectat la borna de lângă simbolul de împământare (masa) .

La efectuarea legăturilor electrice, asigurați-vă ca priza de curent este dotată cu firul de împământare. După montarea hotei de aspirare, asigurați-vă ca priza este ușor accesibilă. Dacă veți efectua conectarea direct la rețeaua electrică, este necesar să echipați cablul cu un întrerupător omipolar cu deschiderea contactelor de 3 milimetri, capabil să suporte sarcina electrică indicată, conform normelor în vigoare.

- Distanța minimă între suprafața, suportului vaselor de gătit de pe aragaz și partea cea mai joasă a hotei de la bucătărie, trebuie să fie de cel puțin **65 cm**. Dacă veți folosi un tub de evacuare compus din două segmente, segmentul superior trebuie să fie în exteriorul segmentului inferior. Nu conectați tubul de evacuare a aburilor la o conductă de aer cald sau care servește și la evacuarea aburilor care provin de la alte instalații de încălzire, mai ales dacă alimentarea acestora nu este electrică. Înainte de a începe montajul, îndepărtați filtrul/filtrele (vezi Fig.15), pentru a mării mai ușor hota.

- În caz că aparatul este montat în versiune aspirantă predis-puneți gaura de evacuare al aerului.

- Se recomandă folosirea unui tub de evacuare a aerului care să aibă același diametru ca și gura de evacuare a aerului. Utilizarea unei reducții poate diminua performanțele aparatului și mări nivelul de zgomot’.

Notă !

- Pentru a instala acest produs aveți nevoie de ajutorul unei alte persoane.

Atenție!

- Înainte de a instala aparatul fixați cutia instalației electrice **D**.
- Ridicați cutia instalației electrice și urmați **fazele 1-2-3** indicate în figura 2.

- Așezați suportul în dreptul celor 3 șuruburi **G** deja pregătite și strângeți-le conform indicațiilor fazei 4 - figura 2.

- Fixați tubul de evacuare a aerului **H** (nu este în dotare) pe flanșa de ieșire a aerului **F** conform indicațiilor din figura 2.

• Montarea hotei:

- Luați structura **D** din ambalaj și fixați-o pe cilindrul motorului cu ajutorul celor 4 șuruburi **E** fig.3.

- Îndepărtați cele 2 șuruburi **A** care fixează structura superioară **B** de cea inferioară **C** conform indicațiilor din fig. 4.

- Reglați înălțimea dorită fiind atenți la cota indicată în figura 5 și blocați-o cu ajutorul celor 8 șuruburi **G** din dotare.

- Cuplați coșul inferior **A** cu cel superior **B** și introduceți-le pe structură conform indicațiilor din figura 6.

- Așezați șablonul pentru găuri pe tavan fiind atenți ca săgeata să fie așezată în aceeași parte a grupului de comandă a aparatului (Fig.7).

- Realizați 4 găuri de Ø8 pe tavan și strângeți 3 șuruburi fără a le trage complet, fiind atenți să nu introduceți șurubul în gaura însemnată cu un **X** pe șablon fig.8 (șuruburile și diblurile de expansiune trebuie să fie conforme tipului de perete).

- Luați hota și introduceți structura telescopică superioară pe cele 3 șuruburi **E** dar nu strângeți complet în dreptul celor 3 găuri ci executați o ușoară rotație pentru a facilita introducerea conform indicațiilor din figura 9 - faza 1-2.

- Înșurubați cel de-al patrulea șurub **X** și trageți-le pe celelalte 3 pentru a bloca definitiv partea superioară a structurii **B** conform indicațiilor din figura 9 - faza 3-4.

- **Versiunea aspirantă:** Fixați tubul flexibil în gaura de evacuare a aerului (Fig.10).

- Versiunea filtrantă:

- Conectați tubul flexibil **H** la deflectorul **M** și fixați șurubul **I** conform indicațiilor (Fig.11).

Filtrele trebuie aplicate pe grupul de aspirație aflat în interiorul hotei așezându-le în centrul acestuia și rotindu-le la 90 de grade până când se aude un click de sfârșit de cursă (Fig.16).

- Realizați conexiunile electrice (fig.12).

- Fixați coșul superior **B** pe structură cu ajutorul celor 4 șuruburi **F** (fig.13).

- Dacă aparatul dvs. este dotat de horn inferior care are nevoie de a fi fixat la corpul hotei cu șuruburi, scoateți din hotă filtrele

degresante acționând respectivele mânere (Fig.15).

- Dacă este necesar, fixați din interior coșul inferior la hotă, utilizând șuruburile **P** (Fig.13). Aveți grijă ca la sfârșit să recolegați filtrele la locul lor.

UTILIZARE ȘI ÎNTREȚINERE

- Se recomandă să porniți hota înainte de a începe coacerea alimentelor. Lăsați hota în funcțiune 15 minute după stingerea aragazului, pentru a elimina complet mirosul de mâncare. Funcționarea corectă a hotei depinde de întreținerea ei în mod periodic, conform indicațiilor; o atenție mărită trebuie acordată filtrului degresant și filtrului de carbon activ.

- **Filtrul degresant** capturează suspensiile de grăsime din aer și de aceea se poate deseori obtura, în funcție de folosirea aparatului.

- Pentru a preveni pericolul de incendii, la fiecare 2 luni este necesară spălarea filtrelor antigrăsime; acestea vor fi spălate cu mâna, folosind un detergent neutru neabraziv sau în mașina de spălat vase la temperatura redusă, efectuând cicluri rapide.

- După câteva spălări, pot fi verificate alterațiile de culoare. Acest lucru nu dă dreptul la reclamații în vederea înlocuirii lor.

- **Filtrele cu cărbune activ** au scopul de a depura aerul care este eliberat în atmosferă și au funcția de a diminua mirosurile neplăcute datorate gătitului.

- Filtrele cu cărbune activ neregenerabile trebuie înlocuite la maxim fiecare 4 luni. Saturația cărbunelui activ depinde de utilizarea mai mult sau mai puțin îndelungată a aparatului, de tipul de mâncăruri gătite și de intervalele la care este realizată curățarea filtrului antigrăsime.

- Filtrele cu cărbune activ regenerabil trebuie spălate cu mâna, cu detergenți neutri neabrazivi, sau în mașina de spălat vase la o temperatură de maxim 65°C (ciclul de spălare trebuie să fie complet și fără vase). Înlăturați apa în exces având grijă să nu deteriorați filtrul, îndepărtați elementele din plastic și uscați materialul în cuptor timp de cel puțin 15 minute la o temperatură de maxim 100°C. Pentru a păstra eficiența filtrului cu cărbune regenerabil, această operație trebuie efectuată la fiecare 2 luni. Acestea trebuie înlocuite la maxim fiecare 3 ani sau în momentul în care materialul de filtrare este deteriorat.

- **Înainte de a monta la loc filtrele antigrăsime și filtrele cu cărbune activ regenerabile este important ca acestea să fie bine uscate.**

- **Curățați hota des, atât pe interior cât și pe exterior, cu ajutorul unei lavete îmbibate în spirt sau cu un detergent neutru, neabraziv.**

- Instalatia de lumină este proiectată numai pentru folosirea ei în timpul gătitului și nu pentru a asigura iluminarea generală a încălțăriiilor. Folosirea îndelungată a luminii hotei reduce mult durata de viață a becurilor.

- Dacă aparatul este dotat cu lumină ambient aceasta poate fi folosită timp îndelungat pentru iluminarea generală a ambientului.

- **Atenție:** nerespectarea avertizărilor privind curățarea hotei, înlocuirea și curățarea filtrelor duce la crearea riscurilor de incendii. Este recomandată respectarea cu strictețe a instrucțiunilor prezentate.

- **Înlocuirea becurilor cu halogen (Fig.17):**

- Pentru a înlocui becurile cu halogen **B** îndepărtați geamul din sticlă **C** apăsând clamele din fisurile corespunzătoare.

- Înlocuiți becurile arse cu altele noi, de același tip.

- Atenție:** nu atingeți becul cu mâna.

• Înlocuire becuri LED (Fig.18):

Dacă versiunea aparatului este cu becuri LED pentru înlocuire este necesară intervenția unui tehnician specializat.

• Înlocuirea becurilor incandescente/halogene (Fig.19):

Folosiți numai becuri cu același număr de Watt ca al celor instalate.

• **Comenzi (Fig.20) mecanice;** simbolurile sunt explicate mai jos:

- A** = buton LUMINĂ
- B** = buton de oprire OFF
- C** = buton VITEZA ÎNTĂI
- D** = buton VITEZA A DOUA
- E** = buton VITEZA A TREIA.

• **Comenzi luminoase (Fig.21)** simbolurile sunt explicate mai jos:

- A** = buton LUMINĂ
- B** = buton de oprire OFF
- C** = buton VITEZA ÎNTĂI
- D** = buton VITEZA A DOUA
- E** = buton VITEZA A TREIA
- F** = buton TEMPORIZATOR OPRIRE AUTOMATĂ 15 minute (*)

Dacă aparatul aflat în posesia dumneavoastră este prevăzut cu viteza **INTENSIVĂ**, pornind de la viteza a TREIA și ținând apăsat timp de circa 2 secunde tasta **E**, aceasta va fi activată pentru 10 minute după care va reveni la viteza setată în precedentă. Când funcția este activă LED-ul luminează intermitent. Pentru a întrerupe funcția înainte de cele 10 minute, apăsați din nou tasta **E**.

În cazul anumitor modele este posibilă activarea funcției și pornind de la viteza întâi sau a doua.

Apăsând butonul **F** timp de 2 secunde (cu hota închisă) se va pune în funcțiune "**clean air**". Acest procedeu pune în funcțiune motorul timp de 10 minute la fiecare ora în prima viteză. Cum s-a pus în funcțiune, motorul va începe cu 1^o viteză timp de 10 minute în timpul careia trebuie să semnalizeze simultan butoanele **F** și **C**. După ce a trecut acest timp motorul se oprește și ledul butonului **F** rămâne fix aprins, iar după 50 de minute motorul pornește din nou la prima viteză și ledul **F** și **C** încep să semnalizeze pe timp de 10 minute, și așa mai departe. Apăsând orice tastă în afară de lumini, hota revine la funcționarea normală (ex. dacă se apasă tasta **D** se dezactivează funcția "**clean air**" iar motorul se configurează la a 2^o viteză; apăsând tasta **B** funcția se dezactivează).

(*) Funcția "**TEMPORIZATOR OPRIRE AUTOMATĂ**" întârzie oprirea hotei, care va continua să funcționeze timp de 15; la viteza pe care o avea în momentul activării acestei funcții.

• Saturarea filtrului de degresare/carbon activ:

- Când tasta **A** emite un semnal intermitent, la un interval de **2 secunde**, filtrele de degresare trebuie spălate.
- Când tasta **A** pâlpâie cu o frecvență de **0,5 sec.** filtrele cu cărbune activ trebuie spălate sau înlocuite în funcție de tipul de filtru.

După ce ați montat filtrul curat este necesar să ștergeți memoria electronică apăsând tasta **A** timp de **5 secunde**, până când tasta se stinge.

• Comenzi (Fig.22):

Butonul A = Aprinde/stinge lumina.

Butonul B = Pornește/oprește hota. Micșorează viteza motorului. Punerea în funcțiune a hotei se realizează la viteza 1. Dacă hota este în funcțiune, apăsați butonul timp de 2

secunde pentru a o opri. Dacă hota este în viteza 1, nu este necesar să o opriți.

Display C = Indică viteza selectată și activează temporizatorul.
Butonul D = Pornește hota. Mărește viteza motorului. Prin apăsarea butonului corespunzător vitezei a 3a, se intensifică funcționarea timp de 10; după care hota se întoarce la viteza inițială. În acest interval de timp display-ul emite o lumină intermitentă.

Butonul E = Timer-ul cronometrează durata funcțiilor, din momentul activării lor, timp de 15 minute; apoi, acestea sunt dezactivate. Timer-ul se dezactivează apăsând din nou butonul **E**. Când funcția Timer este activă, zecimalele de pe display emit un semnal intermitent. Dacă funcția Viteză intensiva este activată, Timer-ul nu poate fi pus în funcțiune.

Apăsând butonul **E** timp de 2 secunde, când aparatul este oprit, se activează funcția "**clean air**". Aceasta pune în funcțiune motorul 10 minute pe ora, la viteza întâi. În timpul funcționării, pe ecran apare o mișcare rotativă, a segmentelor periferice. La expirarea timpului, motorul se oprește iar pe ecran apare litera **C**, cu un semnal luminos stabil, care rămâne în acest fel 50 de minute; apoi, motorul se repune în funcțiune alte 10 minute, s.a.m.d. Pentru a vă întoarce la modul normal de funcționare apăsați o tastă oarecare cu excepția celor aprinse. Pentru a dezactiva funcția apăsați tasta **E**.

• Saturarea filtrului de degresare/carbon activ:

- Când ecranul **C** este intermitent și viteza de funcționare se alternează cu litera **F** (de ex.1 și **F**) este necesar să spălați filtrele degresante.

- Când display-ul **C** pâlpâie afișând în mod alternativ viteza de exercițiu și litera **A** (ex.1 și **A**) filtrele cu cărbune activ trebuie înlocuite sau spălate în funcție de tipul de filtru folosit. După montarea unui filtru curat, este necesar să resetați memoria electronică apăsând tasta **A** timp de **5 sec.**, până când ledurile **F** sau **A** de pe ecranul **C** încetează să fie intermitente.

• **Comenzi mecanice (Fig.23)** : simbolurile sunt prezentate în continuare:

- A**= tasta LUMINĂ / ON-OFF
- B**= tasta OFF / PRIMA VITEZĂ
- C**= tasta A DOUA VITEZĂ
- D** = tasta A TREIA VITEZĂ.

Dacă hota este oprită când aceasta funcționează în prima, a doua sau a treia viteză, în momentul în care este pornită din nou, aceasta va porni la viteza setată în momentul opririi.

PRODUCĂTORUL ÎȘI DECLINĂ ORICE RESPONSABILITATE PENTRU DAUNELE PROVOCATE PRIN NERESPECTAREA INSTRUCȚIUNILOR DE MAI SUS.

ОБЩИЕ СВИДЕНИЯ

Внимательно прочитайте содержание данной инструкции, поскольку содержит важные указания, относящиеся к безопасности установки, эксплуатации и техобслуживания. Сохраните инструкцию для любой дальнейшей консультации. Устройство разработано в следующих вариантах исполнения: вытяжное устройство (удаление воздуха из помещения - Рис.1В), фильтрующее устройство (рециркуляция воздуха внутри помещения - Рис.1А) или вариант с применением наружного электродвигателя (Рис.1С).

МЕРЫ ПРЕДОСТОРОЖОСТИ

1. Быть внимательным, если одновременно работает вытяжка и горелка или очаг, нуждающиеся в окружающем воздухе и запитывающиеся иной энергией, кроме электрической. В таком случае вытяжка удаляет из помещения воздух, нужный для процесса сгорания в горелке или очаге.

Отрицательное давление в помещении не должно превышать 4Па (4×10^{-5} bar). Для надежной и безопасной работы следует обеспечить вентиляцию помещения. Для наружных выбросов соблюдать правила, действующие в Вашей стране.

Прежде чем подключить прибор к электрической сети:

- Убедиться в соответствии напряжения и мощности прибора, данные о которых помещены на заводской паспортной табличке, сетевым показателем, а также соответствие электросоединителя (розетки). В случае несоответствия розетки обратиться к квалифицированному электрику.

- Если провод электропитания поврежден, замените его или весь специальный узел у производителя или в уполномоченном центре технического обслуживания.

- Подсоединить устройство к сети электропитания посредством штепсельной вилки с предохранителем 3 А или двух двухполюсных проводов с предохранителем 3 А.

2. Внимание!

В некоторых случаях электрические приборы могут быть опасными.

А) Не проверяйте состояние фильтров при работающей вытяжке.

В) Не прикасайтесь к лампочкам или к прилегающим зонам в процессе работы системы освещения или сразу же после ее выключения.

С) Запрещается готовить блюда на открытом пламени под кухонной вытяжкой.

Д) Избегайте открытого пламени, так как оно повреждает фильтры и может привести к возгоранию.

Е) В процессе жарки во фритюре непрерывно следите за процессом во избежание возгорания кипящего масла.

Ф) Отсоединяйте штепсельную вилку от сетевой розетки перед началом технического обслуживания.

Г) Изделие не рассчитано на эксплуатацию детьми или недееспособными лицами без контроля.

Н) Не разрешайте детям играть с изделием.

Л) Если вытяжка используется одновременно с другими приборами, в которых используется топливный газ или другие виды топлива, в помещении должна быть

обеспечена надлежащая вентиляция.

Л) В случае выполнения операций по чистке без соблюдения инструкций существует опасность возгорания.

Данное изделие имеет маркировку соответствия Европейскому Нормативу 2002/96/ЕС, Утилизация электрических и электронных изделий (WEEE). Проверьте, чтобы по окончании его срока службы данное изделие было сдано в утиль. Этим Вы можете сохранить окружающую среду.



Символ на изделии или в прилагающейся к нему документации означает, что данное изделие не должно рассматриваться как бытовые отходы, а должно быть сдано в специальный центр утилизации, занимающийся уничтожением электрических и электронных приборов. Изделие должно быть сдано в утиль в соответствии с местными нормативами по утилизации отходов. За дополнительными сведениями касательно обработки, утилизации и уничтожения данного изделия обращайтесь в местное отделение сбора домашних бытовых приборов или в магазин, в котором было куплено изделие.


ИНСТРУКЦИИ ПО УСТАНОВКЕ


• **Монтаж и электрическое подключение должны выполняться квалифицированным техником.**

• **Перед тем, как приступить к монтажным операциям, надеть защитные перчатки.**

• Электрическая связь:

Примечание! Проверьте табличку данных, расположенную внутри аппарата:

-Если на табличке имеется символ , это значит, что аппарат не должен заземляться, в связи с чем необходимо следовать инструкциям в отношении типа изоляции II.

-Если на табличке **НЕТ** символа , следуйте инструкциям в отношении типа изоляции I.

Тип изоляции II

Необходимо обеспечить легкий доступ к штепселю после установки аппарата.

В случае поставки аппарата с кабелем без штепселя, для того чтобы подключить его к электрической сети, необходимо установить между аппаратом и сетью мультиполярный выключатель с минимальным расстоянием между контактами 3 мм, рассчитанный на данную нагрузку и соответствующий действующим нормативам.

коричневый-**L**-линия
синий-**N**-нейтральный.


Тип изоляции I

Данное изделие относится к классу I, поэтому должно подсоединяться к заземлению.

Подсоединение к сети электропитания производится в следующем порядке:

КОРИЧНЕВЫЙ = **L** сеть

СИНИЙ = **N** нейтраль

ЖЕЛТО-ЗЕЛЕНЫЙ =  заземление.

Провод нейтральный должен подсоединяться к зажиму с символом **N**, а **ЖЕЛТО-ЗЕЛЕНЫЙ** провод – к зажиму с символом заземления .

В процессе электрического подключения проверьте, чтобы

электрическая розетка была оснащена контактом заземления. После монтажа кухонной вытяжки проверьте, чтобы штепсельная вилка изделия была легкодоступной. В случае прямого подключения к сети электропитания необходимо установить между изделием и сетью мультиполярный выключатель с минимальным расстоянием между контактами 3 мм, рассчитанный на данную нагрузку и соответствующий действующим нормативам.

- Минимальная дистанция между опорной нагревающейся плоскостью и нижней частью кухонного дымохода должна быть не менее **65 см**. Если применяется соединительная труба из двух и более частей, то верхняя часть должна располагаться снаружи нижней части. Не соединять выброс из вытяжки с каналом циркуляции горячего воздуха или с каналом, используемым для отвода дыма от устройств, запыхиваемых иной энергией кроме электрической. Перед тем как приступить к сборке устройства, для облегчения его монтажа отсоедините фильтр/жироулавливающий фильтр (Рис.15).

- В том случае, если прибор монтируется с вытяжным устройством, рекомендуется обеспечить помещение выводным отверстием.

- Рекомендуется использовать трубу дымохода с таким же диаметром, что и отверстие подачи воздуха. Использование суженной трубы может сократить КПД вытяжки и увеличить ее шумовой уровень.

Примечание!

- Для монтажа данного изделия необходима содействие второго рабочего.

Внимание!

- Перед тем как приступить к установке оборудования, необходимо закрепить электрическую коробку **D**.

- Поднять электрическую коробку и следовать **этапам 1-2-3**, приведенным на рисунке 2.

- Установить скобу соответственно 3 болтам **G**, предусмотренным на колпачке и закрепить их, как показано на этапе 4 – рисунок 2.

- Закрепить воздуховыводящую трубу **H** (не входит в комплект) на фланец для отвода воздуха **F**, как показано на рисунке 2.

• Монтаж вытяжки:

- Распаковать конструкцию **D** и закрепить ее на колпачке двигателя с помощью 4 болтов **E** рис.3.

- Снять 2 болта **A**, которые скрепляют верхнюю конструкцию **B** с нижней **C**, как показано на рис.4.

- Отрегулировать необходимую высоту, обращая внимание на отметку, указанную на рисунке 5, и закрепить ее с помощью 8 болтов **G**, поставляемых в комплекте.

- Соединить верхний дымоотвод **A** с нижним и вставить их **B** конструкцию, как показано на рисунке 6.

- Разместить сверильный шаблон на потолке, расположив стрелку со стороны устройств управления (Рис.7)

- Просверлить на потолке 4 отверстия Ø8 и вкрутить 3 болта, не завинчивая их до конца. Не вставлять болт в отверстие, отмеченное **X** на сверильном шаблоне рис.8 (болта и расширяющиеся дюбеля должны соответствовать типу стены).

- Взять вытяжку и закрепить верхнюю выдвигающую структуру на 3 полностью не завинченных болта **E** соответственно 3 отверстиям и произвести легкое вращение для усадки, как показано на рисунке 9-этап 1-2.

- Привинтить четвертый болт **X** и затянуть 3 остальные для

окончательной фиксации верхней части конструкции **B**, как показано на рисунке 9-этап 3-4.

- **Вытяжной вариант:** закрепить гибкую трубу на заранее установленное отверстие отвода воздуха (Рис.10).

- **Фильтрующий вариант:**

- Подсоединить гибкую трубу **H** к отражателю **M** и закрепить болтом **I**, как показано на (Рис.11). Фильтры должны располагаться по центру на вытяжной установке внутри вытяжки. Необходимо повернуть их на 90 градусов до остановочного щелчка (Рис. 16).

- Выполнить электрическое подсоединение (рис. 12).

- Прикрепить верхнюю часть дымоотвода **B** к конструкции с помощью 4 болтов **F** (рис. 13).

- При наличии верхнего дымохода, который необходимо крепить к корпусу дымохода при помощи болтов, рекомендуется сначала удалить из дымохода абсорбционные фильтры, нажимая на соответствующие рукоятки (рис.15).

- Затем привинтить трубу нижнего дымохода с внутренней части дымохода при помощи болтов **P** (рис.13) и поставить фильтры на прежнее место.

ЭКСПЛУАТАЦИЯ И ТЕХНОЛОГИИ

- Рекомендуем ввести аппарат в эксплуатацию, прежде чем приступать к варке какого-либо элемента. Рекомендуем оставить работать аппарат на 15 минут, после завершения приготовления пищи, чтобы полностью выпустить тяжелый воздух. Хорошее функционирование колпака обусловлено правильным и постоянным техническим обслуживанием; особое внимание следует уделить фильтру жира и активированного угля.

- **Жироудаляющий фильтр** должен удерживать жирные взвешенные частицы в воздухе, следовательно, его загрязнение зависит от времени работы прибора.

- Во избежание риска пожара, не реже двух раз в месяц необходимо промывать жироудаляющие фильтры вручную с использованием жидких нейтральных моющих средств без абразивных добавок, или мыть в посудомоечной машинке при низкой температуре и в короткие циклы.

- Цвет может измениться, после нескольких промывок. Этот факт не даёт права на жалобу и замену детали.

- **Фильтры с активированным углём** необходимы для очистки воздуха в помещении и удаляют неприятные запахи при приготовлении пищи.

- Не регенерируемые фильтры с активированным углём необходимо заменять не реже 1 раза в 4 месяца. Напыление активированного угля зависит от того, часто использовался прибор, от вида кухни и от регулярности очистки жироудаляющего фильтра.

- Регенерируемые фильтры с активированным углём необходимо мыть вручную, с использованием нейтральных моющих средств без абразивных добавок, или в посудомоечной машине при температуре не выше 65°C (при этом в машине не должно находиться посуды). Удалить лишнюю воду, не повреждая фильтр, снять пластмассовые детали и высушить коврик в печи, не менее чем 15 минут при температуре не выше 100°C. Чтобы поддерживать фильтр с активированным углём в эффективном состоянии, это операцию необходимо проводить каждые 2 месяца. Не менее чем раз в 3 года фильтр необходимо заменять, или когда на коврик обнаружены повреждения.

- **Перед тем, как установить жироудаляющие фильтры и фильтры с активированным углём, необходимо их тщательно высушить.**

- **Необходимо часто очищать колпак как внутри, так и снаружи, используя увлажненную денатурированным спиртом ткань или нейтральные не царапающие жид-**

кие моющие средства.

• Лампы вытяжки служат для освещения варочной панели во время приготовления и не рассчитаны на длительное включение для обычного освещения помещения. Продолжительное использование ламп вытяжек значительно сокращает их средний срок службы.

• Если прибор **оснащён освещением помещения**, оно может быть использовано для длительного применения всего освещения помещения.

• **Внимание:** несоблюдение рекомендаций по очистке вытяжке и замене и очистки фильтров, приводит к опасности пожара. Рекомендуется следовать приведённым инструкциям.

• Замена галогенных ламп (Рис.17):

Для замены галогенных ламп **В** снимите стеклянную крышку **С**, поддев ее отверткой в специальных пазах.

Замените лампы на лампы такого же типа.

Внимание: не прикасайтесь к лампам голыми руками.

• Замена светодиодных ламп (Рис.18):

На исполнении со **СВЕТодиодными** лампами, замену ламп должен производить специализированный технический персонал.

• Замена лампочки накаливания/галогенной (Рис.19):

Использовать только лампочки такого же типа и вольтжажа, что и установленные в приборе.

• Органы управления (Рис.20) Механические:

A = кнопка освещения

B = кнопка нулевой

C = кнопка первой скорости

D = кнопка второй скорости

E = кнопка третьей скорости.

• Органы управления светящиеся (Рис.21):

A = кнопка освещения

B = кнопка нулевой

C = кнопка первой скорости

D = кнопка второй скорости

E = кнопка третьей скорости

F = кнопка таймера автоматической остановки через 15 мин (*)

Если в вашем устройстве подключена функция **ИНТЕНСИВНОЙ** скорости, для ее активации необходимо включить ТРЕТЬЮ скорость и держать нажатой в течение примерно 2 секунд кнопку **E**. Эта функция активируется на 10 минут, после чего произойдет возврат к установленной ранее скорости.

Во время активации функции мигает светодиодный индикатор.

Для остановки функции до истечения 10 минут необходимо снова нажать кнопку **E**.

В некоторых моделях возможно активировать эту функцию на первой и второй скорости.

Нажатом положении в течение 2–х секунд клавишу **F**. Для включения функции "**clean air**" нажать и держать в таком положении клавишу **F**. Эта функция ежечасно включает двигатель на первой скорости на 10 минут, в течение которых должны мигать одновременно указатели клавиш **F** и **C**. После чего двигатель выключается, а указатель на клавише **F** остается зажженным. Приблизительно через 50 минут опять включается двигатель на первой скорости, и указатели **F** и **C** начинают мигать в течение 10 минут и т.д.

Нажимая на любую кнопку, за исключением света, вытяжка возвращается к нормальному режиму работы (например, при нажатии на кнопку **D**, отключается функция "**clean air**" и двигатель устанавливается на вторую скорость; нажимая на кнопку **B**, функция отключается).

(*) Функция "**ТАЙМЕР АВТОМАТИЧЕСКОЙ ОСТАНОВКИ**" задерживает отключение вытяжки, которая продолжает работу на скорости, выбранной при включении этой функции через 15 минут.

• Засорение фильтров-жироуловителей/фильтра с активированным углем:

-Когда мигает кнопка **A** с частотой **2 сек.**, необходимо вымыть фильтры-жироуловители.

-Когда мигает кнопка **A** с частотой **0,5 сек.** необходимо промыть или заменить фильтр с активированным углём, в зависимости от его типа.

После установки на место чистого фильтра необходимо обнулить электронную память, нажав кнопку **A** примерно на **5 сек.** вплоть до прекращения мигания.

• Органы управления (Рис.22):

Клавиша A = включает/выключает подсветку.

Клавиша B = включение/выключение вытяжки. Вытяжка включается на 1-ой скорости. Если вытяжка включена, нажмите кнопку на 2 секунды, чтобы выключить ее. Если вытяжка работает на 1-ой скорости, не нужно держать кнопку нажатой для ее выключения. Скорость двигателя сокращается.

Дисплей C = показывает скорость мотора, которая была набрана, и включение таймера.

Клавиша D = включает вытяжку. Увеличивает скорость мотора. Нажатие клавиши 3-й скорости вызывает активацию функции интенсивного режима на 10 мин, по истечении которых восстанавливается скорость работы, активной в момент включения данной функции. На период действия интенсивного режима имеет место мигание индикатора.

Клавиша E = Таймер на 15 минут запоминает функции в момент включения после отключения этих функций. Таймер отключается повторным нажатием кнопки **E**. Когда функция Таймер включена, на дисплее должно мигать десятичное значение. Если работает интенсивная скорость, включить функцию Таймер нельзя.

Нажав кнопку **E** на 2 секунды при выключенной вытяжке, включается функция "**clean air**". Эта функция включает двигатель на 1-ой скорости на 10 минут каждый час. В процессе функционирования на дисплее показываются вращающиеся боковые сегменты. По истечении этого времени двигатель выключается, и на дисплее появляется буква "**C**" до следующего запуска двигателя на 10 минут по прошествии 50 минут.

Чтобы вернуться к нормальной работе, нажать на любую кнопку кроме освещения. Чтобы отключить функцию нажать на кнопку **E**.

• Засорение фильтров-жироуловителей/фильтра с активированным углем:

-Когда на дисплее **C** попеременно мигают значение рабочей скорости и буква **F** (например, 1 и **F**) необходимо вымыть фильтры-жироуловители.

-Когда на дисплее **C** по переменно мигают рабочая скорость и буква **A** (например, 1 и **A**) необходимо заменить или промыть фильтры с активированным углём, в зависимости от вида фильтра.

После установки фильтра на место после чистки необ-

ходимо обнулить электронную память, нажав кнопку **A** примерно на **5 сек.** вплоть до прекращения мигания буквы **F** или **A** на дисплее **C**.

• **Механическое управление (Рис.23)** : обозначения следующие:

A= кнопка СВЕТ / ВКЛ-ВЫКЛ

B= кнопка ВЫКЛ/ ПЕРВАЯ СКОРОСТЬ

C= кнопка ВТОРАЯ СКОРОСТЬ

D = кнопка ТРЕТЬЯ СКОРОСТЬ

Если вытяжка будет выключена на первой, второй или третьей скорости, то в момент последующего включения она будет работать на той же скорости, на которой произошло выключение.

ФИРМА НЕ НЕСЕТ НИКАКОЙ ОТВЕТСТВЕННОСТИ ЗА УЩЕРБ, ВЫЗВАННЫЙ НЕСОБЛЮДЕНИЕМ ВЫШЕПРИВЕДЕННЫХ ПРЕДУПРЕЖДЕНИЙ.

OBSERVERA

Läs innehållet i detta instruktionshäfte noga då det tillhandahåller viktig information vad beträffar säkerheten vid installation, användning och underhåll. Spar häftet för eventuella framtida konsultationer.

Apparaten är konstruerad för att användas som antingen insugande version (utsugning av luft utomhus - Fig.1B), filtrerande version (återcirkulering av luft inomhus - Fig.1A) eller version med yttre motor (Fig.1C).

SÄKERHETS FÖRESKRIFTER

1. Var uppmärksam om utsugningskåpan fungerar samtidigt som en brännare eller eldhård som är beroende av omgivningsluften i rummet och som drivs med annan typ av energi än elektrisk energi, eftersom utsugningskåpan suger upp luft från rummet som brännaren eller eldhården är i behov av för sin förbränningsprocess.

Undertrycket i lokalen får inte överskrida 4 Pa (4x10⁻⁵ bar). För att garantera säkerheten rekommenderas därför en god ventilation av lokalen. Vad beträffar det utvändiga utsläppet skall de i det aktuella landet gällande normerna och föreskrifterna respekteras.

Innan apparaten kopplas till elnätet:

- Kontrollera typskylten (på insidan av apparaten) och försäkra dig om att spänning och effekt motsvarar elnätets och att stickkontakten passar. Rådfråga kunnig eltekniker, om du är tveksam.

- Om nätkabeln är skadad ska den bytas ut mot en ny kabel eller en specialsats som tillhandahålls av tillverkaren eller dess tekniska servicetjänst.

- Anslut strömförsörjningsaggregatet via en stickkontakt med en säkring på 3A eller till tvåfasanslutningens två trådar som ska skyddas av en säkring på 3A.

2. Observera!

I vissa situationer kan elektrisk utrustning utgöra en fara.

A) Kåpan ska inte vara i drift när filtrens skick kontrolleras.

B) Vidrör inte glödlampor eller områden runt dessa direkt efter längre tids användning av belysningen.

C) Det är förbjudet att tillaga flamberade rätter under kåpan.

D) Undvik fria lågor. Dessa kan skada filtren och förorsaka brand.

E) Vid fritering ska tillagningen hållas under konstant uppsikt för att förhindra att oljan tar eld.

F) Koppla från kontakten från stickkontakten innan underhållsmoment utförs.

G) Utrustningen är inte avsedd att användas av barn eller oförmögna personer, utan uppsikt av en vuxen.

H) Kontrollera att barn inte leker med utrustningen.

I) När kåpan används samtidigt med utrustning som bränner gas eller andra bränslen, ska lokalen ha en god ventilation.

L) Om rengöringsmomentet inte utförs med respekt för anvisningarna finns det risk för att brand uppstår.

Den här apparaten överensstämmer med europadirektivet 2002/96/EG, Waste Electrical and Electronic Equipment (WEEE).

Genom att försäkra sig om att den här produkten elimineras

på rätt sätt, bidrar användaren till att förebygga eventuella negativa följdrisker för miljö och hälsa.




Symbolen på produkten eller på bifogad dokumentation indikerar att den här produkten inte ska behandlas om hushållsavfall utan ska överlämnas till lämplig avfallsstation för återvinning av elektriska och elektroniska apparater. Kassera enligt gällande lokala normer för avfallshandling. För ytterligare information om hantering och återvinning av produkten, kontakta det lokala kontoret, uppsamlingsstation för hushållsavfall eller affären där produkten inhandlats.


INSTALLATIONS INSTRUKTIONER

- **Ltgärder för montering och elanslutning måste utföras av kunnig personal.**
- **Sätt på dig skyddshandskar innan du påbörjar monteringsförfarandet.**

• Elanslutning:

Obs! Kontrollera märkskylten som sitter inuti utrustningen:

-Om symbolen  anges på märkskylten innebär detta att utrustningen inte ska jordanslutas. Följ därför anvisningarna i isolationsklass II.

-Om symbolen  INTE anges på märkskylten ska anvisningarna i isolationsklass I följas.

Isoleringsklass II

Apparaten är av typklass II, och inga kablar skall därför jordanslutas.

Stickkontakten ska vara lättåtkomlig efter att utrustningen har installerats.

Om utrustningens nätkabel saknar stickkontakt, är det nödvändigt att installera en flerpolig brytare mellan utrustningen och elnätet. Brytaren ska ha en min. öppning mellan kontaktarna på 3 mm, vara dimensionerad för belastningen och uppfylla gällande lagstiftning.

Nätanslutningen skall utföras på följande sätt:

BRUN = L fas

BLÅ = N nolla.


Isoleringsklass I


Denna utrustning är konstruerad i enlighet med klass I, och ska därför anslutas till en jordad kontakt.

Anslutningen till elnätet ska göras på följande sätt:

BRUN = L-linje

BLÅ = N-nolla

GULGRÖN =  jord.

Nollkabeln ska anslutas till klämman med N-symbolen, medan den **GULGRÖNA** kabeln ska anslutas till klämman intill jordsymbolen .

Vid elektrisk anslutning, se till att strömuttaget har jordanslutning. När utsugningskåpan har monterats, se till att kontakten för nätanslutningen sitter i ett lättåtkomligt läge. Vid direkt anslutning till elnätet är det nödvändigt att installera en flerpolig brytare mellan utrustningen och elnätet. Brytaren ska ha en min. öppning mellan kontaktarna på 3 mm, vara dimensionerad för belastningen och uppfylla gällande lagstiftning.

- Det minimala avståndet mellan kokkärlets underlag på kokhällen och spisfläktens nedre del måste vara minst **65 cm**. I det fall ett anslutningsrör används som består av två eller flera delar, måste den övre av delarna träs utanpå den undre delen.

ANVÄNDNING OCH UNDERHÅLL

Anslut inte kåpans utloppsrör till luftkanaler i vilka varmluft cirkulerar, eller kanaler som används för att evakuera rök från apparater som drivs med annan typ av energi än elektrisk energi.

För att förenkla handhavandet av apparaten ska antifettfiltret/-en tas ur innan monteringsmomenten påbörjas (Fig.15).

- Om apparaten ska monteras med utsugningversion ska hål för luftuttömning anordnas.

- Det rekommenderas att använda ett ventilationsrör med samma diameter som öppningen för luftutgången. Om ett reducerstycke används försämrars utrustningens kapacitet och bullernivån ökas.

Obs!

- För att installera denna produkt krävs hjälp av ytterligare en person.

Varning!

- Innan installationen av apparaten påbörjas, fäst lådan med den elektriska anläggningen **D**.

- Lyft lådan med den elektriska anläggningen och följ **fasererna 1-2-3** som visas i figur 2.

- Placera staget vid de tre skruvarna **G** som sitter på insatsen och skruva åt dem såsom visas i fas 4 - figur 2.

- Fäst luftevakueringsledningen **H** (medföljer ej) på luftutsläppsflänsen **F** såsom visas i figur 2.

• Montering av kåpan:

- Ta ur strukturen **D** från förpackningen och fäst den till motorinsatsen med de 4 skruvarna **E** fig.3.

- Ta bort de 2 skruvarna **A** som fäster den övre strukturen **B** till den undre **C** såsom visas i fig.4.

- Reglera önskad höjd med hänsyn till värdet som visas i figur 5 och lås den med de 8 skruvarna **G** som bifogas.

- Para ihop den undre skorstenen **A** med den övre **B** och för på dem på strukturen såsom visas i figur 6.

- Lägg borrhälschablonen på taket och se till att pilen pekar mot samma sida som apparatens kommando (Fig.7).

- Borra de 4 hålen Ø8 i taket och skruva åt de 3 skruvarna utan att dra åt dem helt, med uppmärksamhet på att inte sätta i skruven i hålet märkt med ett **X** på borrhälschablonen fig.8 (skruvarna och pluggarna ska vara lämpade för typen av vägg).

- Ta kåpan och sätt i den övre teleskopstrukturen på de 3 skruvarna **E** som inte skruvats åt helt i de 3 hålen, och vrid lätt för att låta den haka i såsom visas i figur 9 - fas 1-2.

- Skruva i den fjärde skruven **X** och dra åt de återstående 3 för att definitivt låsa strukturens övre del **B** såsom visas i figur 9 - fas 3-4.

- **Version med sug:** Fäst slangen till hålet för luftevakueringen (Fig.10).

- Filterande version:

- Koppla slangen **H** till skiljeväggen **M** och fäst skruven **I** såsom visas i (Fig.11).

Filtren ska appliceras på sugenheten som sitter inuti kåpan genom att centrera dem i denna och vrida dem 90 grader tills stoppet nås (Fig.16).

- Utför den elektriska anslutningen (fig.12).

- Fäst den övre skorstenen **B** till strukturen med de 4 skruvarna **F** (fig.13).

- Om din apparat är försedd med ett nedre rökrör som behöver fästas vid fläktkåpan med skruvar, ska fettfiltren först plockas ur kåpan, det gör du genom att vrida på handtagen (Fig.15).

- Om det är nödvändigt, fäst den nedre skorstenskåpan på kåpan med skruvarna **P** (Fig.13) inifrån kåpan. Sätt sedan tillbaka filtren på plats.

- Det rekommenderas att starta utrustningen innan någon typ av livsmedel tillagas. Vi rekommenderar att du låter apparaten gå i 15 minuter efter att matlagningen avslutats, så att matoset helt sugts ut. Kåpan ska underhållas regelbundet och på ett korrekt sätt för att fungera på bästa sätt. Detta gäller i synnerhet avfettningsfiltret och filtret med aktivt kol.

- **Avfettningsfiltret** har till uppgift att stoppa fettpartiklarna som finns i luften. Detta filter sätts igen efter en viss tid, beroende på hur mycket utrustningen används.

- För att undvika risk för brand är det nödvändigt att tvätta avfettningsfiltret för hand med flytande neutralt icke-polerande diskmedel eller i diskmaskin på låg temperatur och med kort program minst en gång varannan månad.

- Efter några tvättar kan filtren ändra färg lite. Detta ger inte rätt till reklamation för eventuell ersättning av dem.

- **De aktiva kolfiltren** används för att rena luften som återcirkuleras till rummet och har som funktion att mildra de oönskade lukter som genereras av matlagning.

- Engångskolfiltren bör bytas ut minst var 4:e månad. Det aktiva kolets måttnad beror på hur mycket apparaten har använts, på typen av kök samt på hur ofta avfettningsfiltret rengörs.

- De återanvändbara aktivt kolfiltren bör diskas för hand med neutralt icke-polerande diskmedel, eller i diskmaskin med en högsta temperatur på 65° C (tvättprogrammet måste göras utan annan disk). Ta bort överflödigt vatten utan att skada filtret, ta bort plastdelarna och torka den lilla dynan i ugnen i minst 15 minuter vid en temperatur på max 100° C.

- För att behålla det återanvändbara aktiva kolfiltrets effektiva funktion ska denna handling upprepas varannan månad. Dessa måste bytas ut minst vart tredje år eller när den lilla dynan är skadad.

- **Innan du sätter tillbaka avfettningsfiltren och de återanvändbara aktiva kolfiltren är det viktigt att dessa har torkat ordentligt.**

- **Rengöra kåpan regelbundet både på insidan och utsidan med en trasa fuktad med denaturerad sprit eller milt flytande rengöringsmedel som inte slipar.**

- Belysningen är avsedd att endast vara tänd under tillagningen och inte för att lysa upp rummet i allmänhet under en längre tid. Om belysningen är tänd under en längre tid förkortas lampornas livslängd betydligt.

- Om apparaten är försedd med **innerbelysning** kan denna användas som allmän rumsbelysning under längre tid.

- **Viktigt!** Att ignorera anvisningarna om rengöring av kåpan samt om byte och rengöring av filtren medför brandrisk. Det rekommenderas därför att man följer dessa instruktioner.

• Byta halogenlampor (Fig.17):

För att byta halogenlamporna **B**, bänd upp glaset **C** i springorna.

Byt ut mot lampor av samma typ.

OBS! Ta inte i lampan med bara händer.

• Byte av LED-lamporna (Fig.18):

Om din apparat är försedd med **LED-lampor** är det nödvändigt att kontakta en specialiserad tekniker när de behöver bytas ut.

• Byte av glödlampor/halogenlampor (Fig.19):

Använd enbart lampor av samma typ och med samma wattvärde som installerats på apparaten.

- **Manöverfunktioner (Fig.20) mekaniska** beskrivs symbolerna här nedan:

A = knapp för BELYSNING

B = knapp OFF
C = knapp FÖRSTA HASTIGHET
D = knapp ANDRA HASTIGHET
E = knapp TREDJE HASTIGHET.

• **Manöverfunktioner lysande (Fig.21)** beskrivs symbolerna här nedan:

A = knapp för BELYSNING
B = knapp OFF
C = knapp FÖRSTA HASTIGHET
D = knapp ANDRA HASTIGHET
E = knapp TREDJE HASTIGHET
F = TIMER FÖR AUTOMATISK AVSTÄNGNING EFTER 15 minuter
(*)

Om din apparat är försedd med funktionen **INTENSIVLÅGE** aktiverar du funktionen från den TREDJE hastigheten genom att hålla knappen **E** intryckt i ungefär 2 sekunder. Funktionen förblir aktiv i ungefär 10 minuter och därefter återgår fläkten till tidigare vald hastighet.

Lysdioden blinkar när funktionen är aktiv.

För att avbryta funktionen innan det har gått 10 minuter, tryck in knappen **E** igen.

På vissa modeller går det att aktivera funktionen även med den första och den andra hastigheten.

Tryck på knapp **F** i 2 sekunder (när fläkten är avstängd) för att sätta igång funktionen "**clean air**". Genom denna funktion sätts fläktmotorn igång i 10 minuter varje timme på hastighet ett. Omedelbart efter att ha aktiverat denna funktion, sätts motorn igång på hastighet ett under 10 minuter, medan knapp **F** och knapp **C** samtidigt blinkar. Därefter släcks motorn och lysdiod **F** förblir tänd med fast ljus ända tills motorn efter ytterligare 50 minuter startar igen på hastighet ett och lysdioderna **F** och **C** börjar blinka igen i 10 minuter osv. Genom att trycka på vilken knapp som helst förutom ljusknapparna återgår fläkten till normal drift (t.ex. om du trycker på knappen **D** avaktiveras funktionen "**clean air**". och motorn ställs in på hastighet 2. Om du trycker på knappen **B** avaktiveras funktionen).

(*) Funktionen "**TIMER FÖR AUTOMATISK AVSTÄNGNING**" fördröjer avstängningen av kåpan, som fortsätter att fungera i 15 minuter med samma arbetshastighet som vid påslagningen av denna funktion.

• **Orena fettfilter/aktivt kolfilter:**

-När knappen **A** blinkar med ett intervall på **2 sek.** ska fettfiltren rengöras.

-När knappen **A** blinkar med en frekvens av **0,5 sek.** bör de aktiva kolfiltren rengöras eller bytas beroende på typen av filter.

När det rena filtret har satts tillbaka, ska det elektroniska minnet nollställas genom att trycka på knapp **A** i cirka **5 sek.** tills varningslampan slutar att blinka.

• **Manöverfunktioner (Fig.22):**

Tangent A = Slår på/av belysningen.

Tangent B = Slår på/av kåpan. Apparaten startar med den lägsta hastigheten. Om kåpan fungerar skall tangenten tryckas in halv sekund för att slå av den. Om kåpan fungerar med den lägsta hastigheten behöver man inte hålla tangenten intryckt för att stänga av den. Minskar motorns hastighet.

Display C = Anger den valda motorhastigheten och aktiveringen av timern.

Tangent D = Slår på kåpan. Ökar motorns hastighet. Om tangenten för den tredje hastigheten trycks in startar den intensiva hastigheten under 10 sekunder för att sedan återgå

till den arbetshastighet som var aktiv före ingreppet. Displayen blinkar under denna funktion.

Tangent E = Il Timer ställer in funktionstiderna vid aktiveringen på 15 minuter, varefter de stängs av. Avaktivera timern genom att trycka på knapp **E**. När funktionen Timer är aktiv på displayen ska decimalpunkten blinka. Om hastighetens intensivläge är i funktion kan timern inte aktiveras.

Genom att trycka på knapp **E** i 2 sekunder, när apparaten är avstängd, så aktiveras funktionen "**clean air**". Denna tänds motorn i 10 minuter varje timme på första hastigheten. Under funktion ska displayen visa de perifera segmentens rotation. När denna tid gått ut släcks motorn och displayen visar den lysande bokstaven "**C**" tills motorn efter ytterligare 50 minuter startar igen och går i 10 minuter igen och så vidare. Tryck på vilken knapp som helst utom ljusknappen för att återgå till normalt funktionsläge. Tryck på knappen **E** för att avaktivera funktionen.

• **Orena fettfilter/aktivt kolfilter:**

-När displayen **C** blinkar och visar omväxlande drifhastigheten och bokstaven **F** (t.ex. 1 och **F**) ska fettfiltren rengöras.

-När displayen **C** blinkar och visar omväxlande driftshastigheten och bokstaven **A** (t.ex. 1 och **A**) ska de aktiva kolfiltren rengöras eller bytas beroende på typen av filter.

När det rena filtret har satts tillbaka, ska det elektroniska minnet nollställas genom att trycka ned knappen **A** i cirka **5 sek** tills signalerna **F** eller **A** slutar att blinka på displayen **C**.

• **Mekaniska kommandon (Fig.23)** : symbolgigen är följande:

A= knapp LJUS / ON-OFF

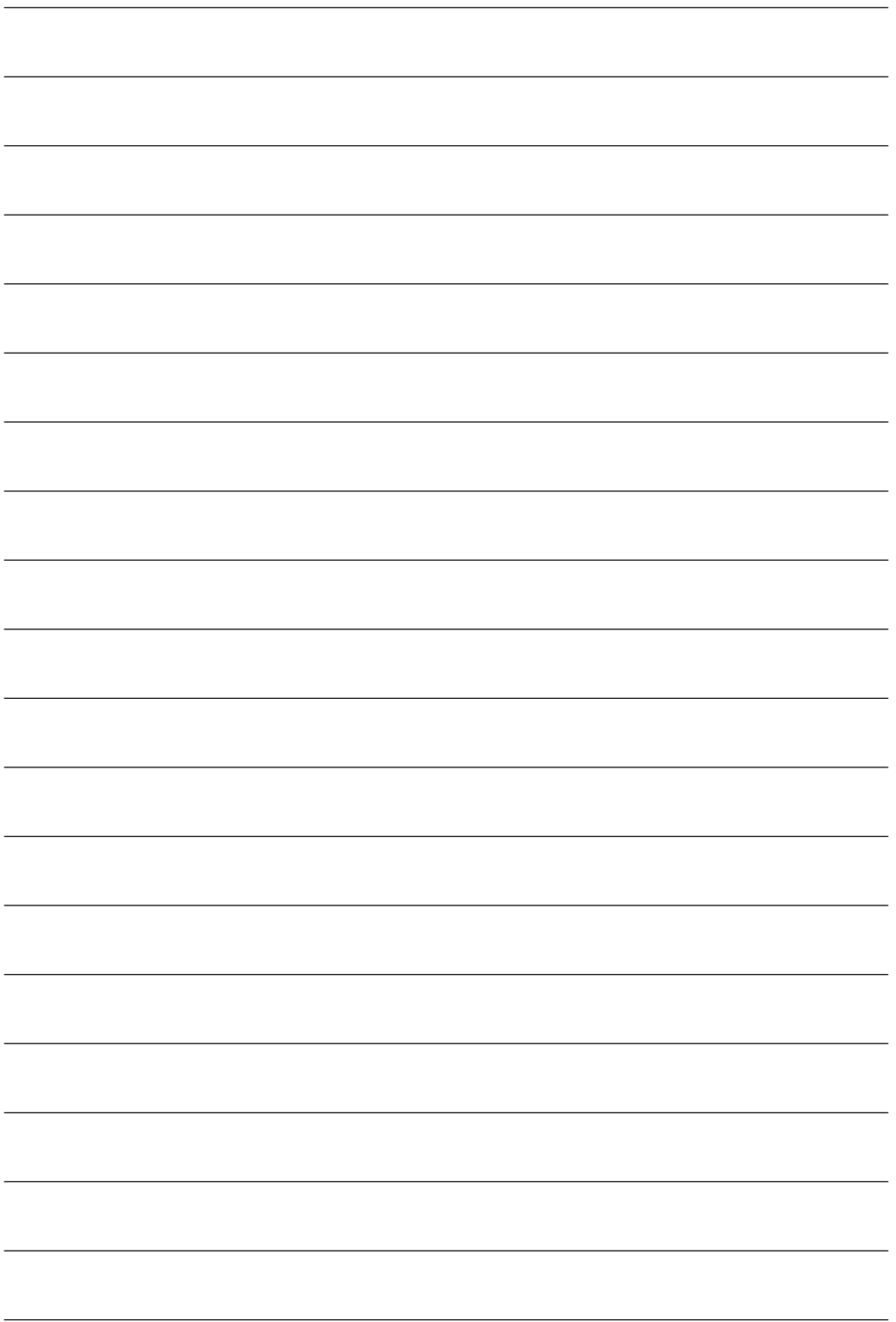
B= knapp OFF / FÖRSTA HASTIGHETEN

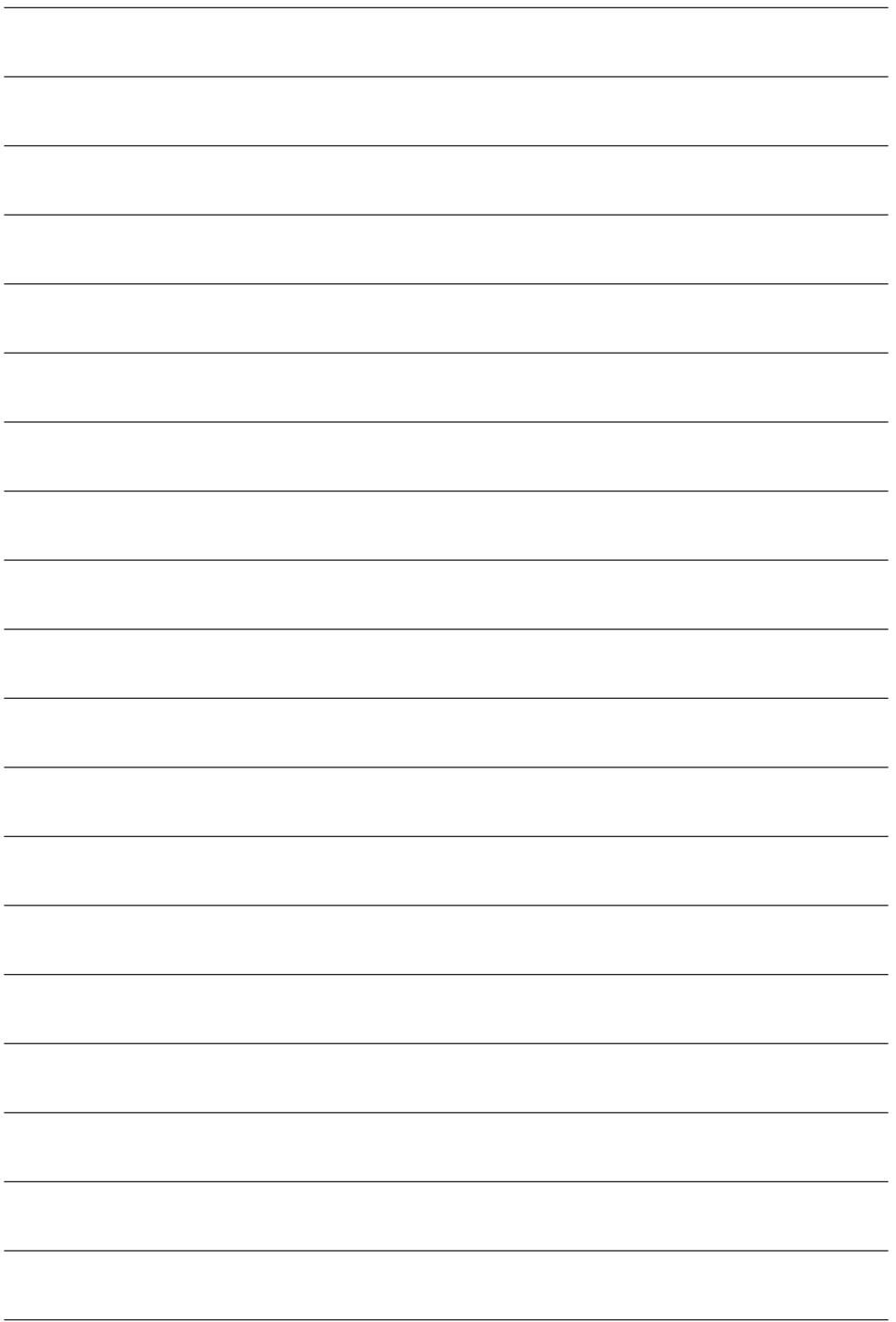
C= knapp ANDRA HASTIGHETEN

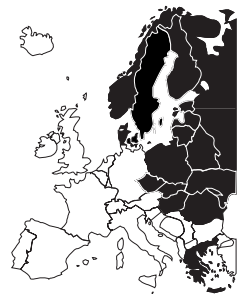
D = knapp TREDJE HASTIGHETEN

Om kåpan stängs av i första, andra eller tredje hastigheten, startar den, när den sätts på igen, om med samma hastighet som var inställd när den stängdes av.

TILLVERKAREN FRÅNSÄGER SIG ALLT ANSVAR FÖR EVENTUELLA SKADOR SOM ORSAKTS P.G.A. ATT OVANSTÅENDE INSTRUKTIONER INTE RESPEKTERATS.







3LIK1029