

---

# Service Manual

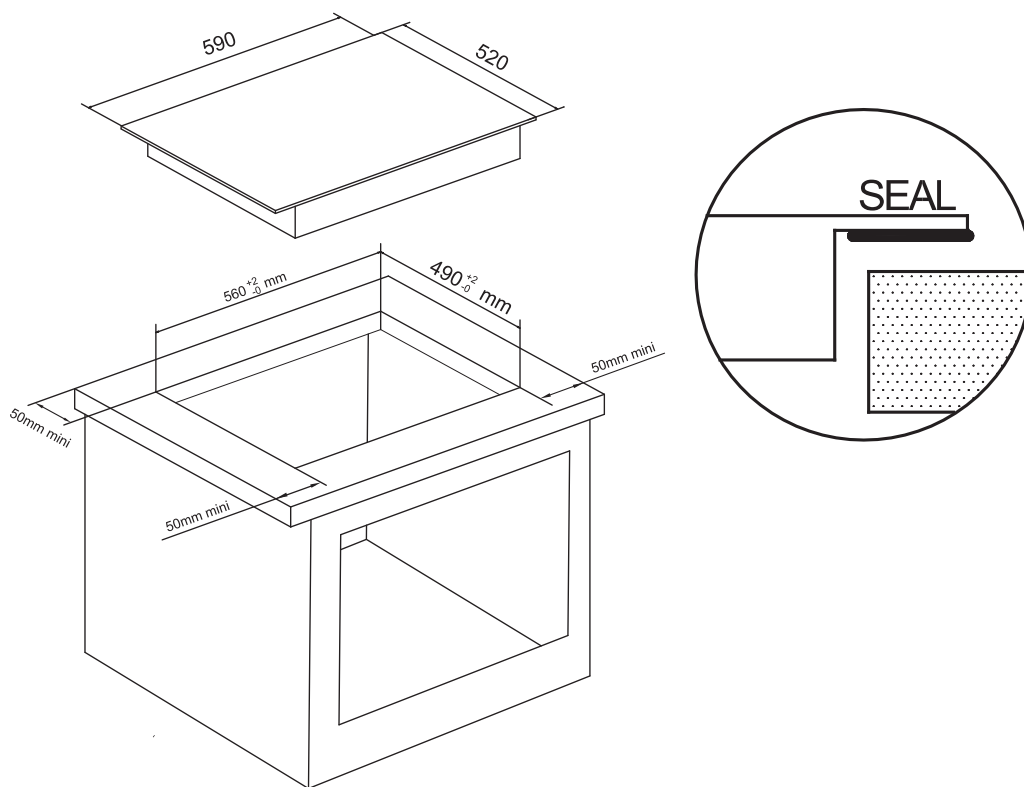
Ceramic Hob (G1.6)

---

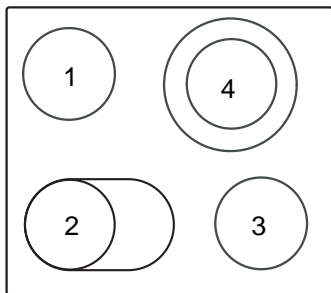
Model :

MC-HF661

# Technical data



Model : MC-HF661



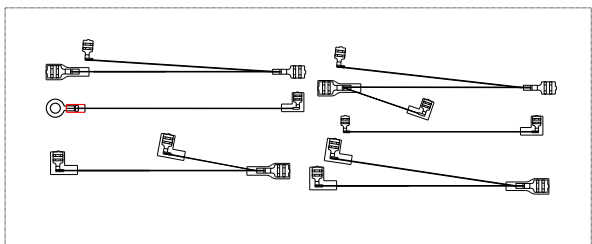
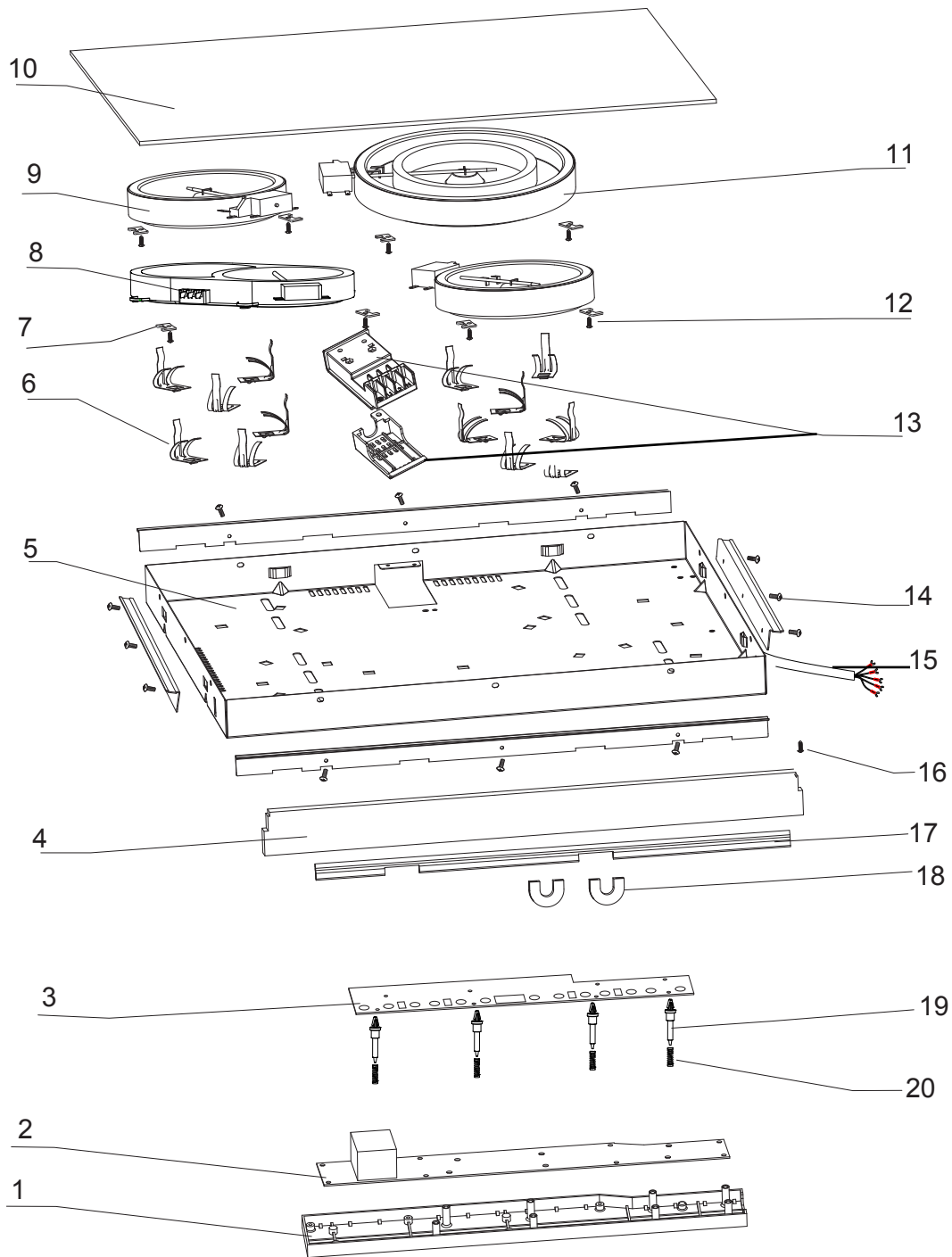
Heating zone	1	2	3	4
Size (mm)	∅ 165	270x165	∅ 165	∅ 230
Power	1200 W	1100/2000 W	1200 W	1000/2200 W

Voltage : 220-240V~

Frequency: 50/60Hz

Exploded view

Model : MC-HF661

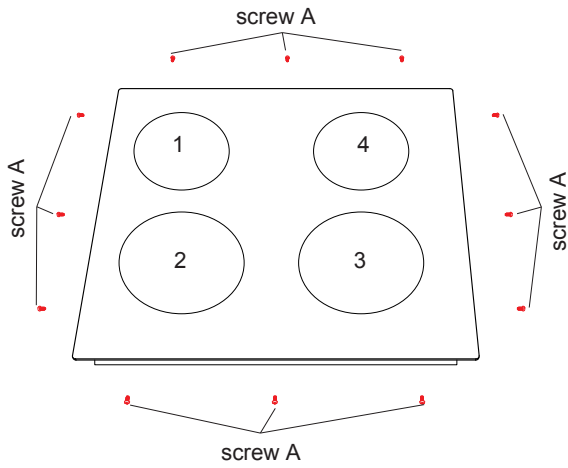


Spare part list

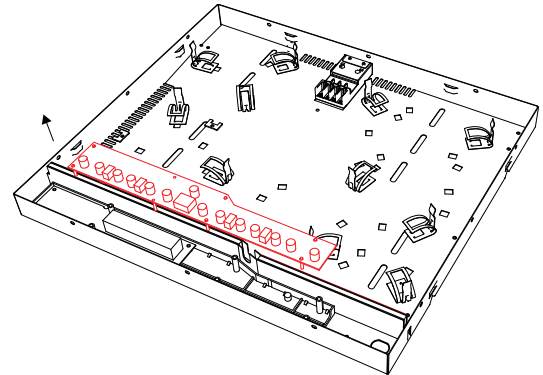
Model : MC-HF661

MC-HF661				
No.	Parts code	Parts names	QTY	model
1	12166100000020	Inverter Base	1	
2	17166100000009	main control board assembly	1	
3	17166100000169	display board assembly	1	
4	12666100000019	adiabatic cotton	1	
5	12266100000038	base	1	
6	12266000000015	spring bracket	13	
7	12966000000018	hob fixer	13	
8	17466100000018	single loop hob(275x165mm)	1	
9	17466100000020	single loop hob(165mm)	2	
10	12566100000853+ 12966100000014	glass assembly	1	MC-HF661
10	12566000A01798+ 12966100000014	glass assembly	1	MC-HF661-AN
10	12566100A00430+ 12966100000014	glass assembly	1	MC-HF661-RW
10	12566100A00429+ 12966100000014	glass assembly	1	MC-HF661-WH
11	17466100000023	double loop hob(230mm)	1	
12	11303125000047	Screw	13	
13	17466000000056	Junction box	1	
14	11303119000006	Screw	11	
15	174660000000228	power cord	1	
16	11301128000005	Screw	2	
17	12666100000002	silicone sealed strip	1	
18	12666100000013	silicone sheath	2	
19	12166100000016	support	4	
20	12966000000049	spring	7	

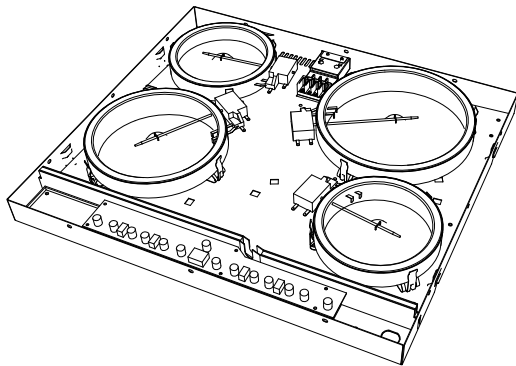
Technical data



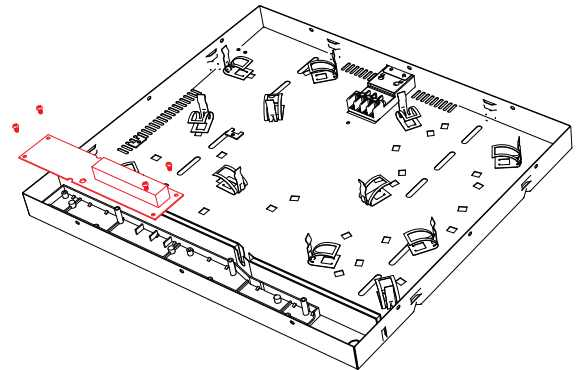
Step1 :  
remove the screw A around the base cover



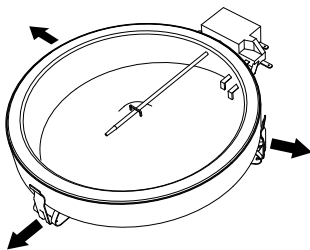
Step 4:  
remove the display board



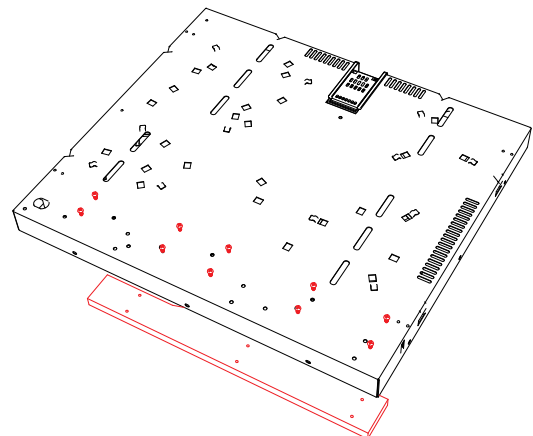
Step2:  
remove the wires



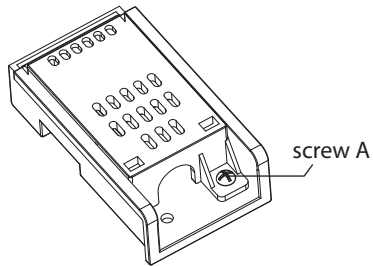
Step 5:  
remove the power board



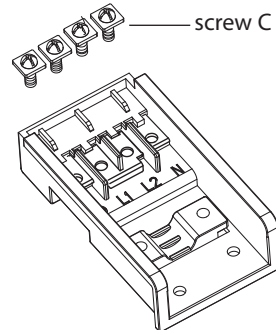
Step 3:  
open the bracket and remove the heating  
element



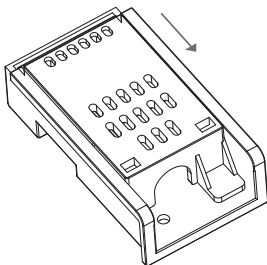
Step 6:  
to remove the display board fixing box,  
reverse the base and remove the screws



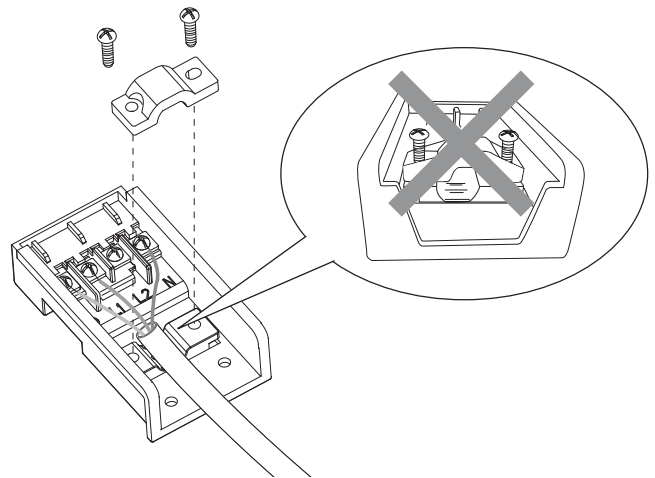
1. Remove the screw A.



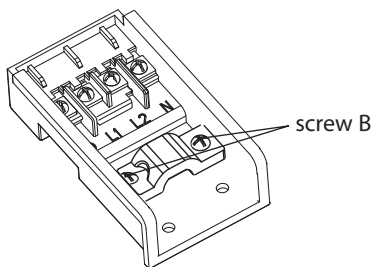
4. Remove the 4 screws C in the terminal box and insert the power cord at the connection.



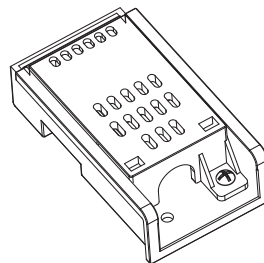
2. Push the top plate back and then lift it up.



5. Assemble the cable clamp, be aware that the ellipse hole on cable clamp must match the ellipse hole on.

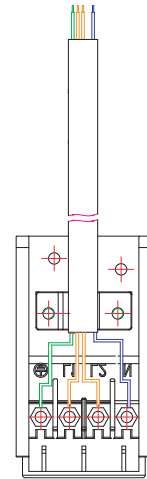
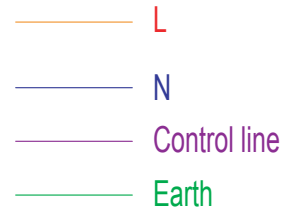
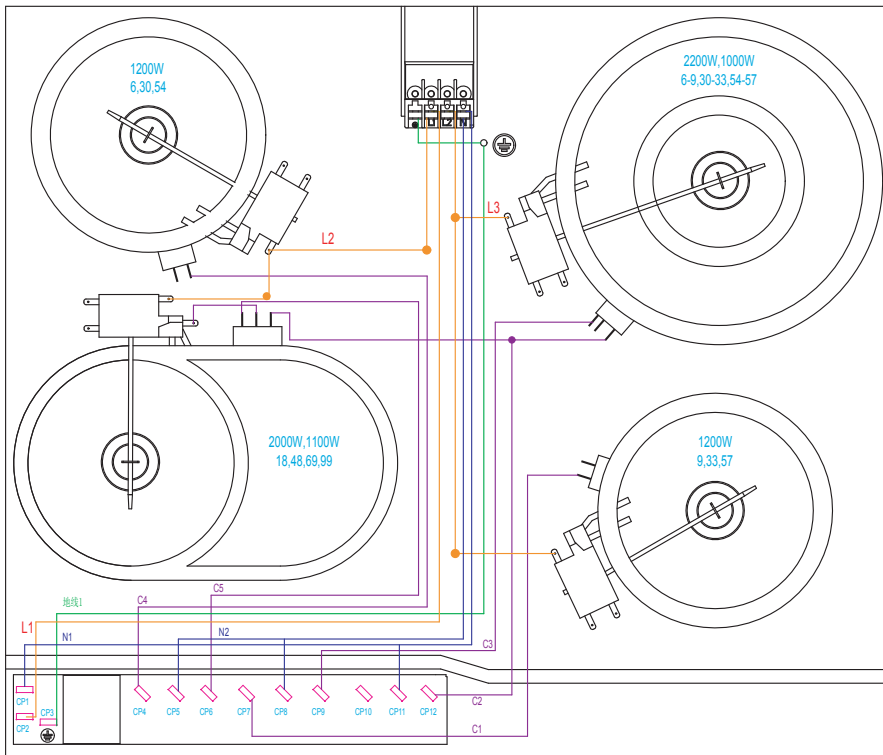


3. Remove the 2 screws B.



6. Fix the top plate.

# Technical data



## Hints and Tips

Failure	Problem	Solution
After power is supplied, the buttons, the LED and the buzzer can't work.	Connection failure	Check the connection.
	The power board is damaged.	Replace the power board.
	The display board is damaged.	Replace the display board.
After power is supplied, some of the buttons can't work, but the LED and the buzzer works normally.	The display board is damaged.	Replace the display board.
After power is supplied, the buttons, LED, and buzzer in the display board work normally. But the stoves don't work.	Connection failure	Check the connection.
	The power board is damaged.	Replace the power board.
	All stoves are damaged.	Replace the stoves.
Some stoves don't work, but the others work normally.	Connection failure	Check the connection.
	The power board is damaged.	Replace the power board.
	Stoves are damaged.	Replace the stoves.
	High temperature of the stoves.	Restart when the stoves cool down.