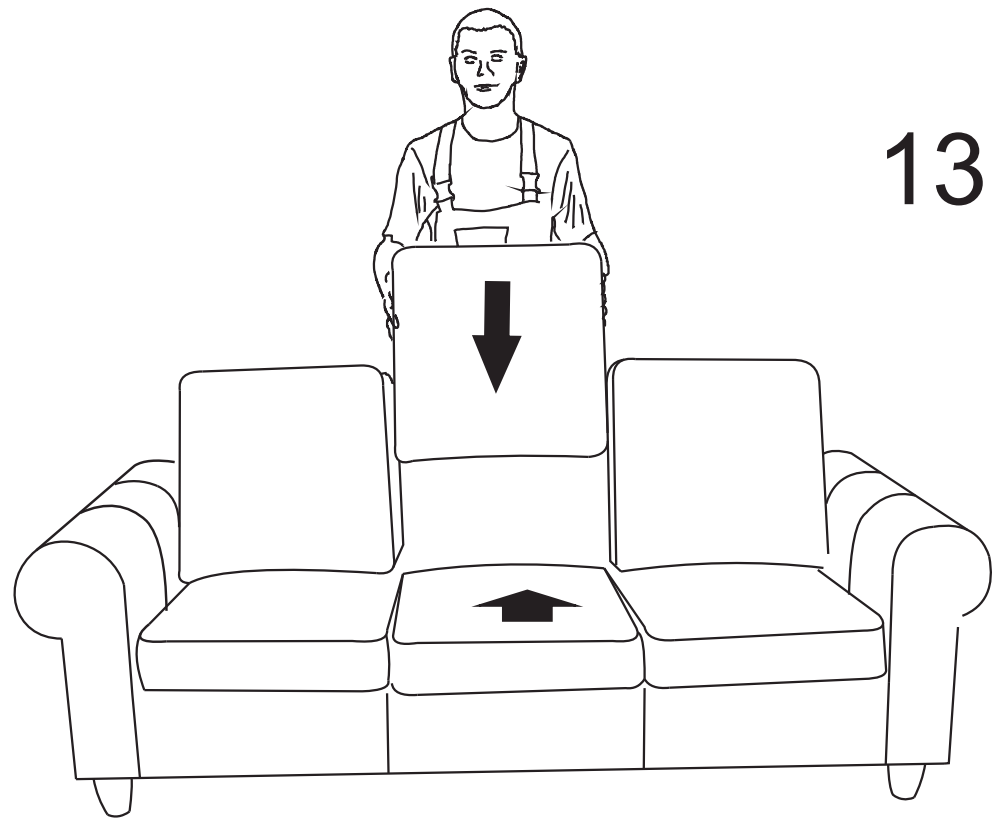
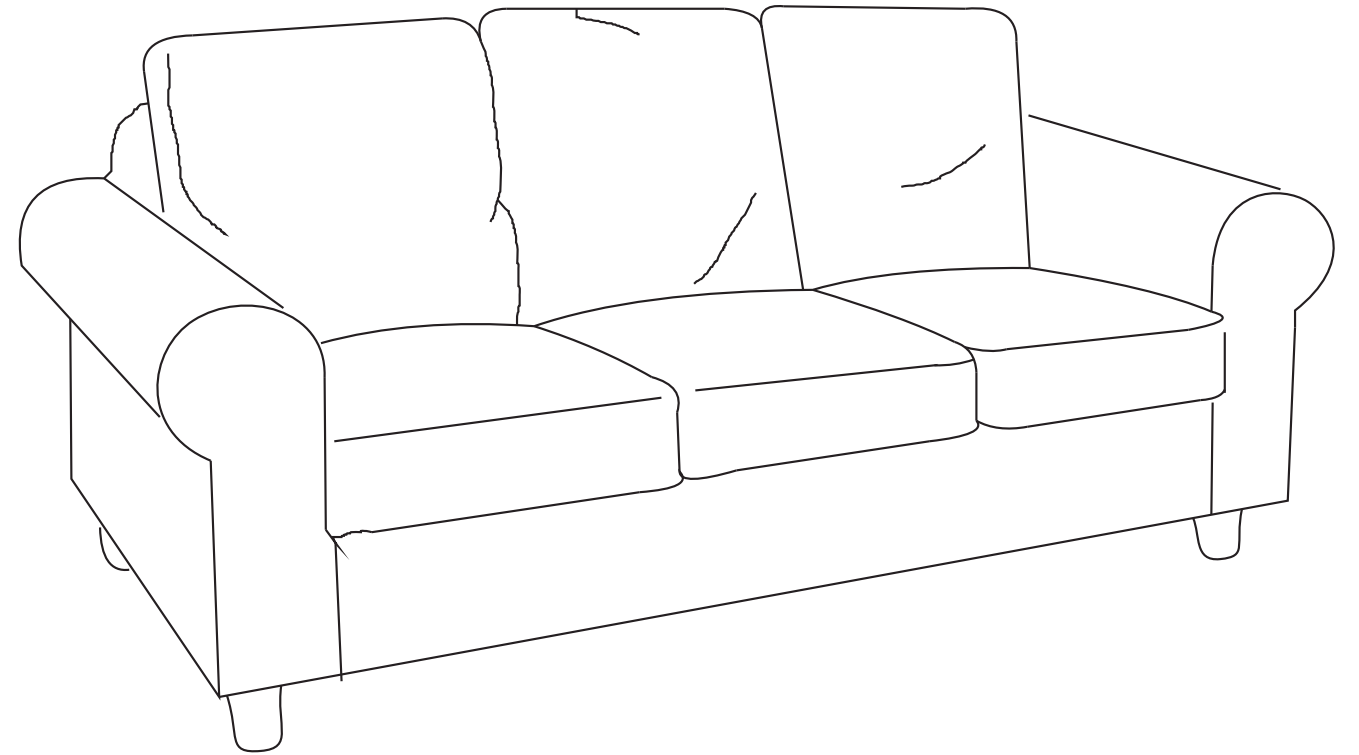


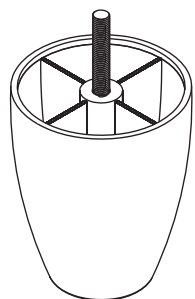
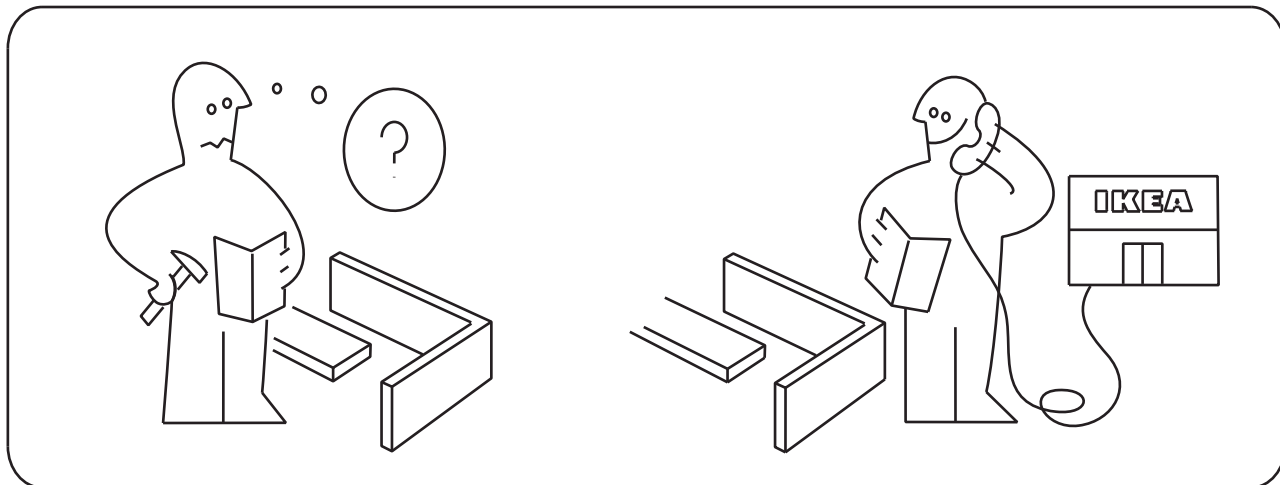
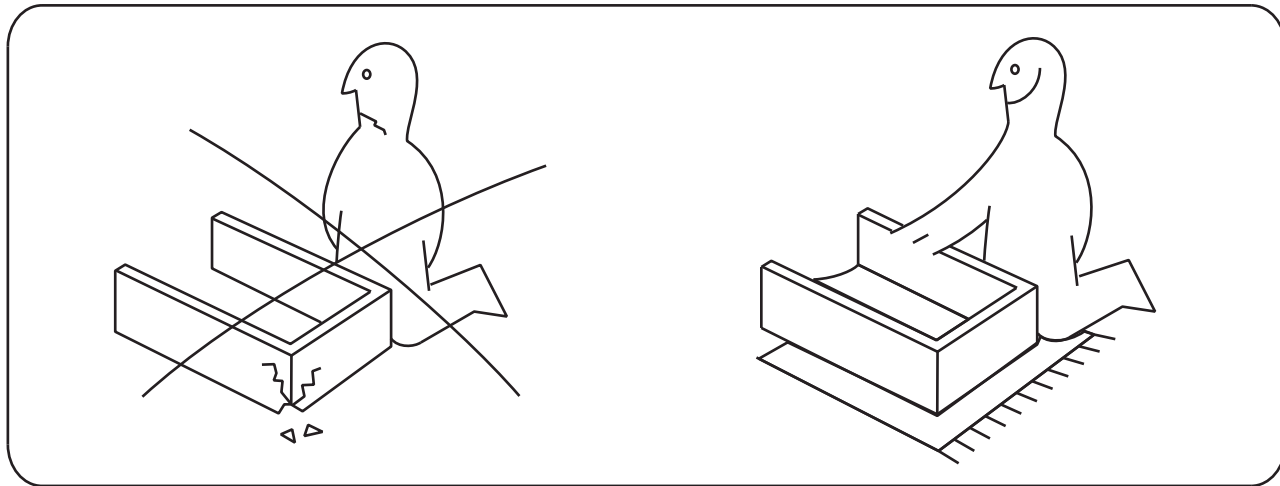
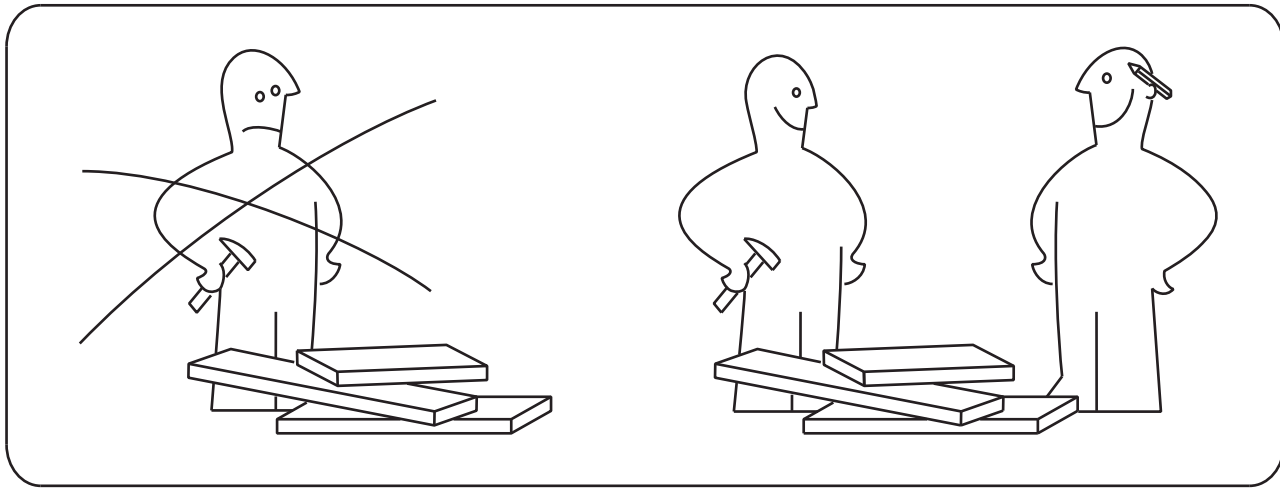
12



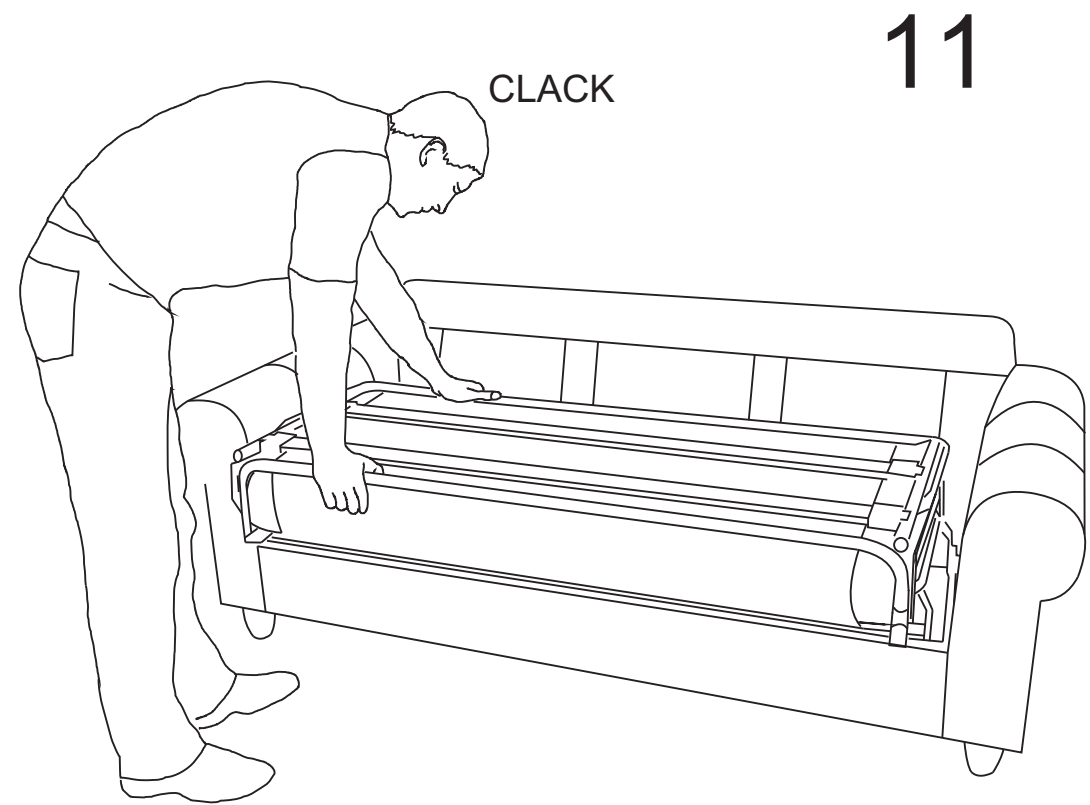
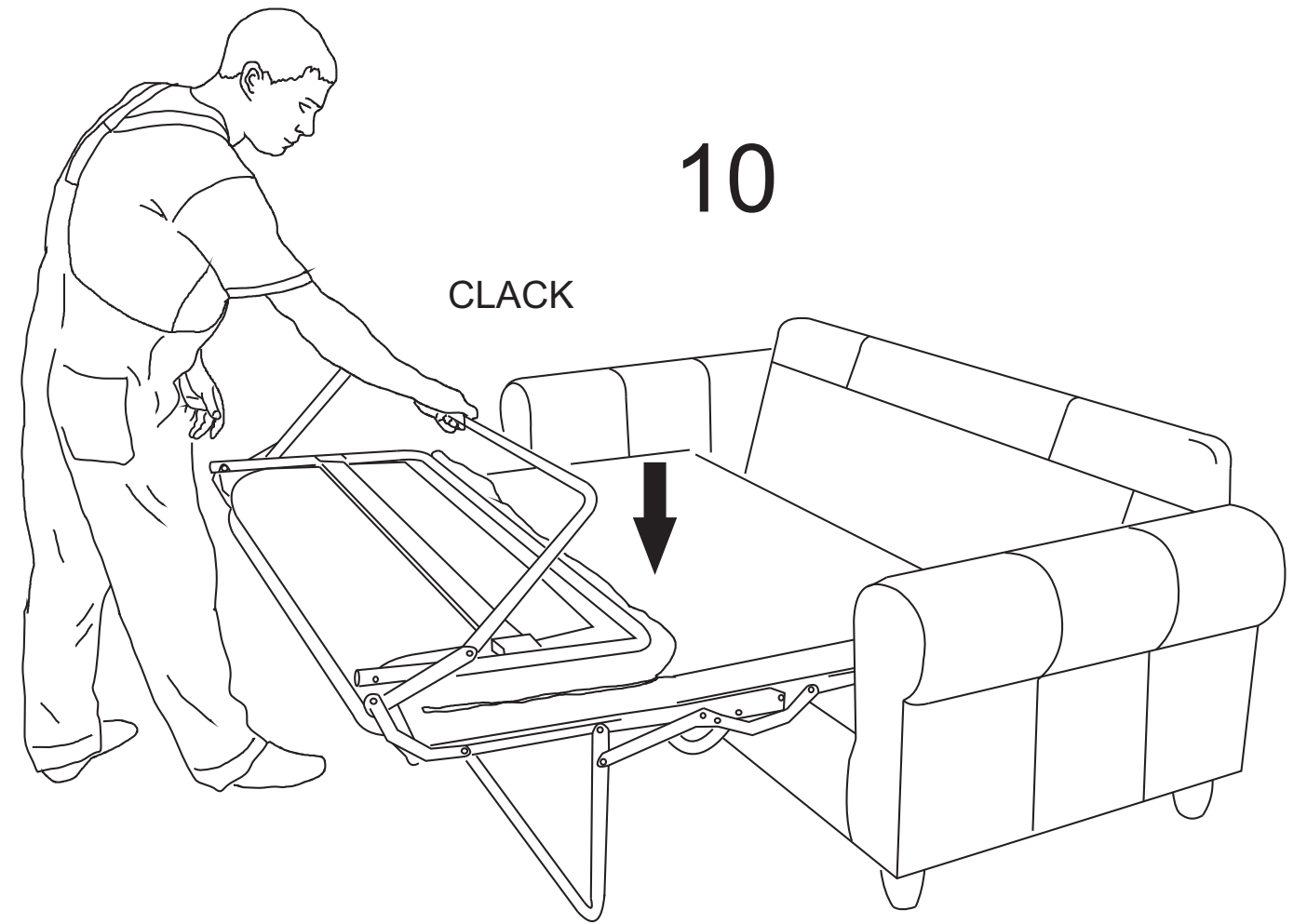
13

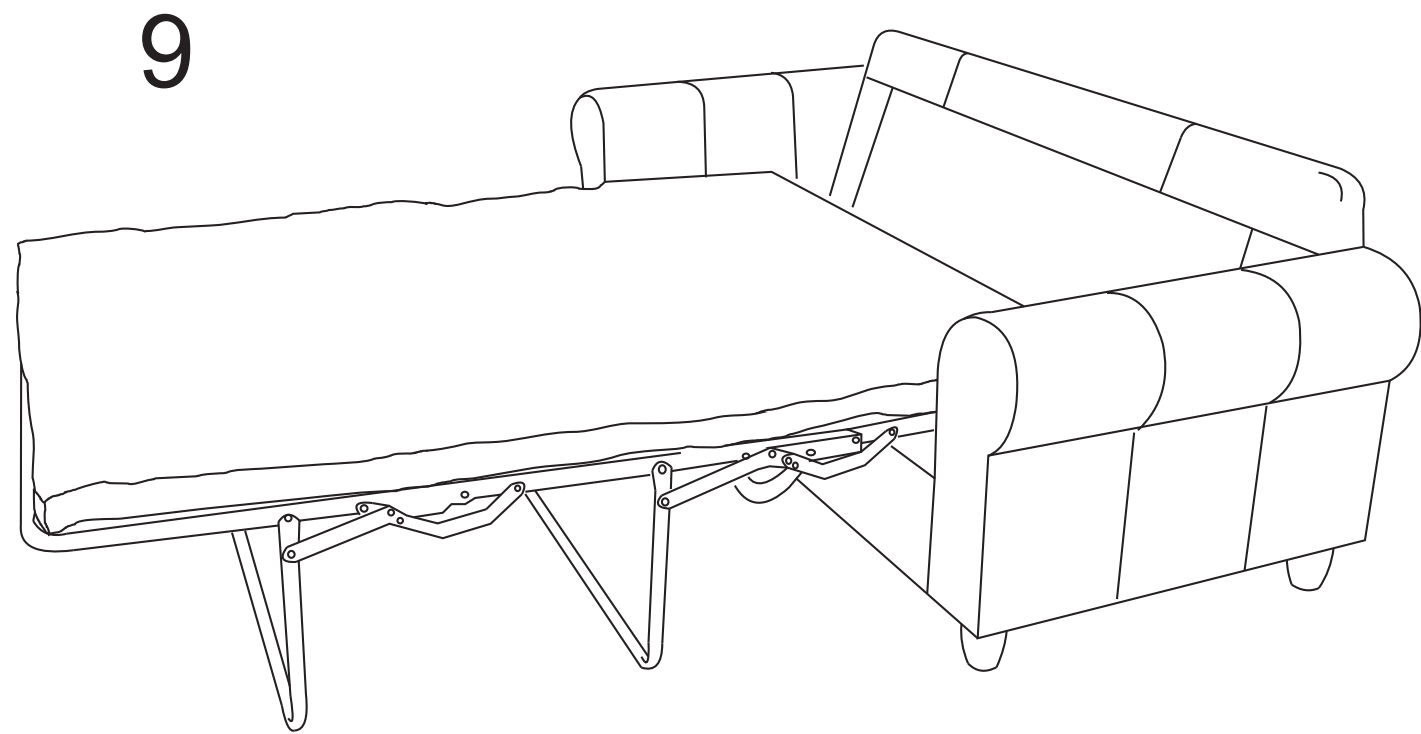
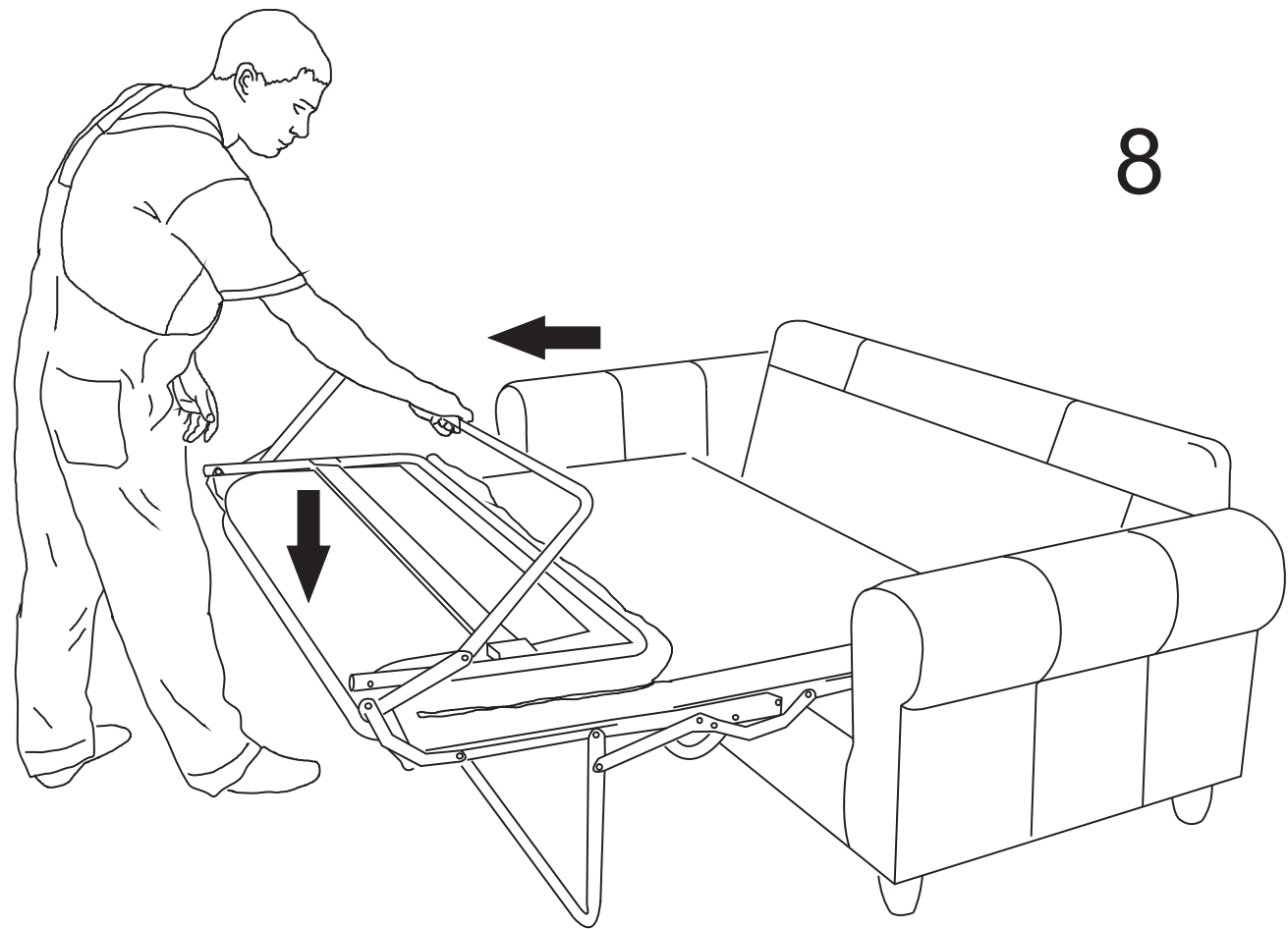
# FIXHULT



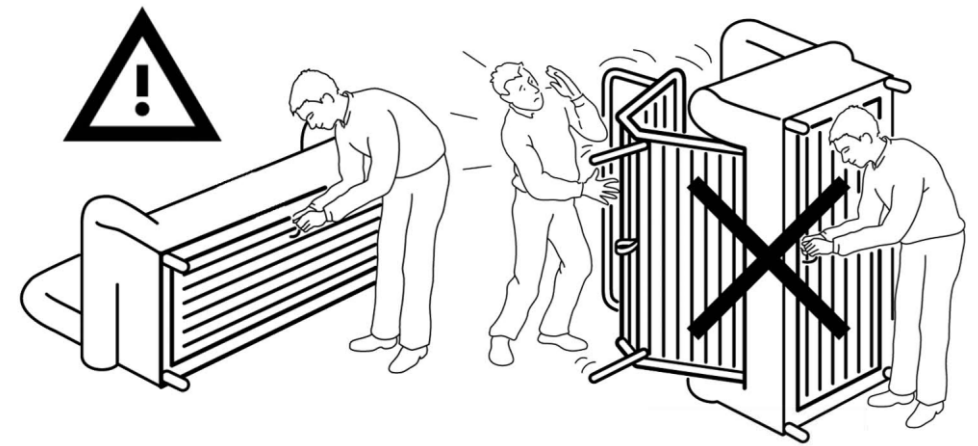
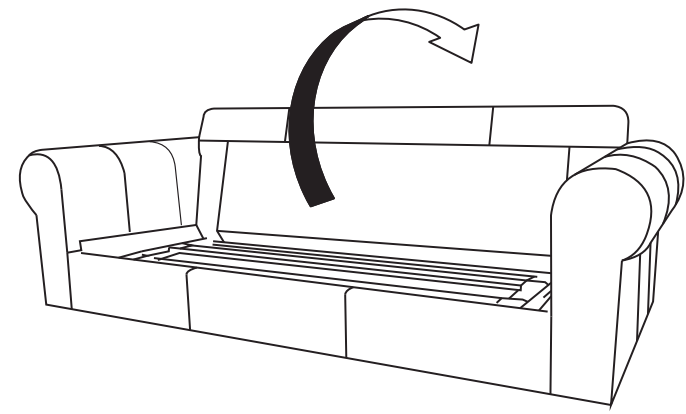


x4

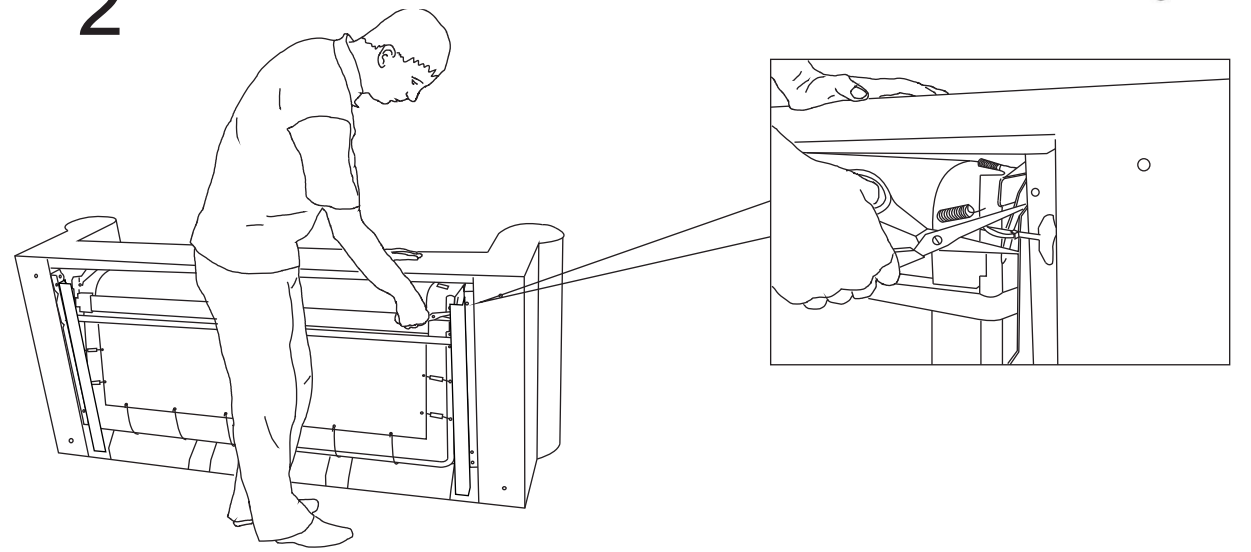




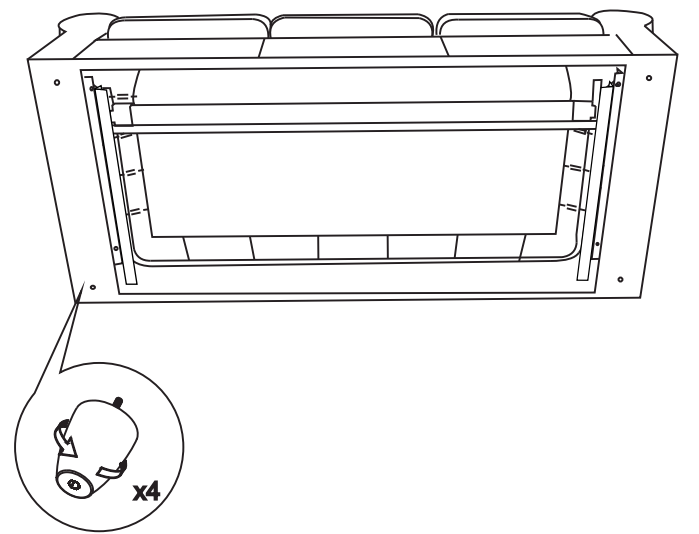
6



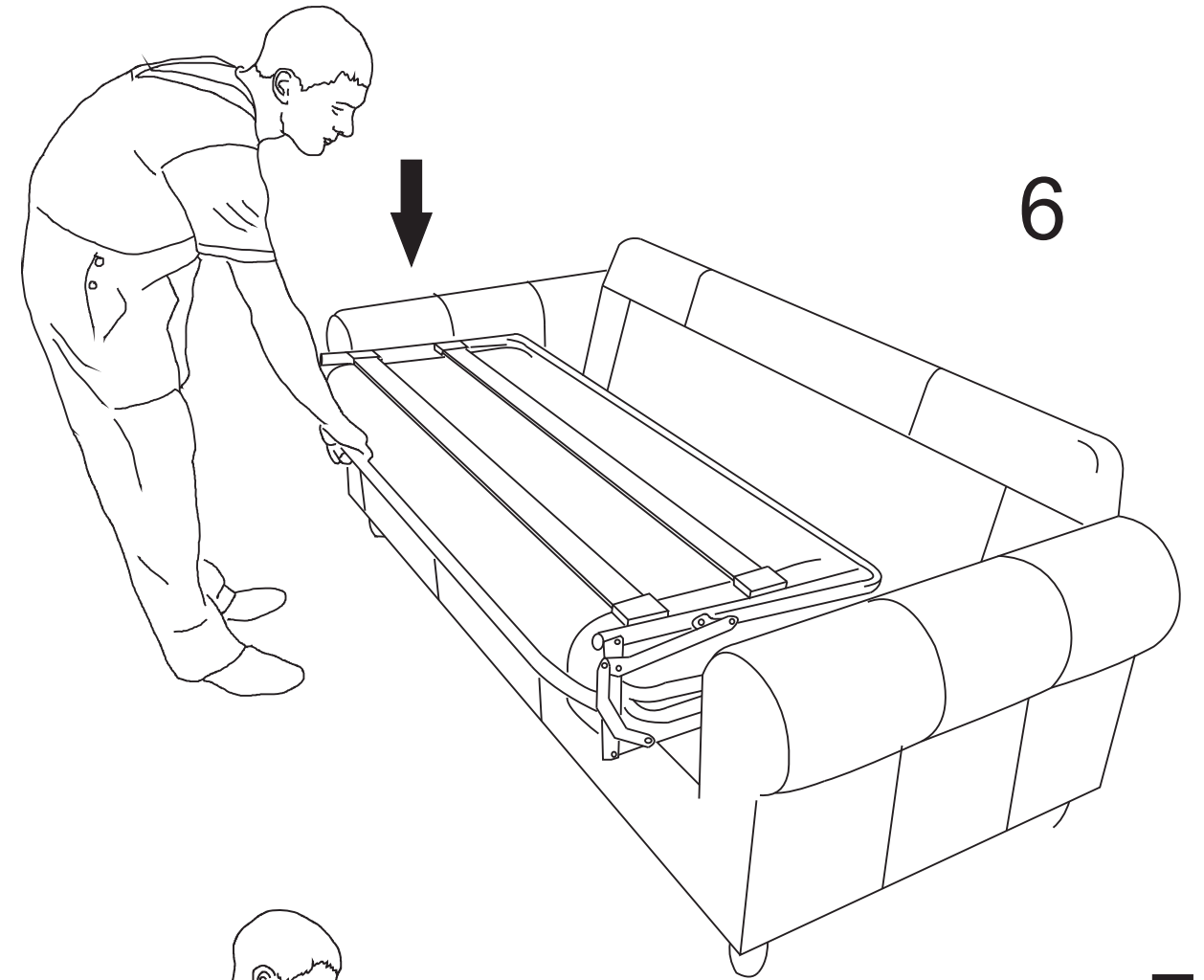
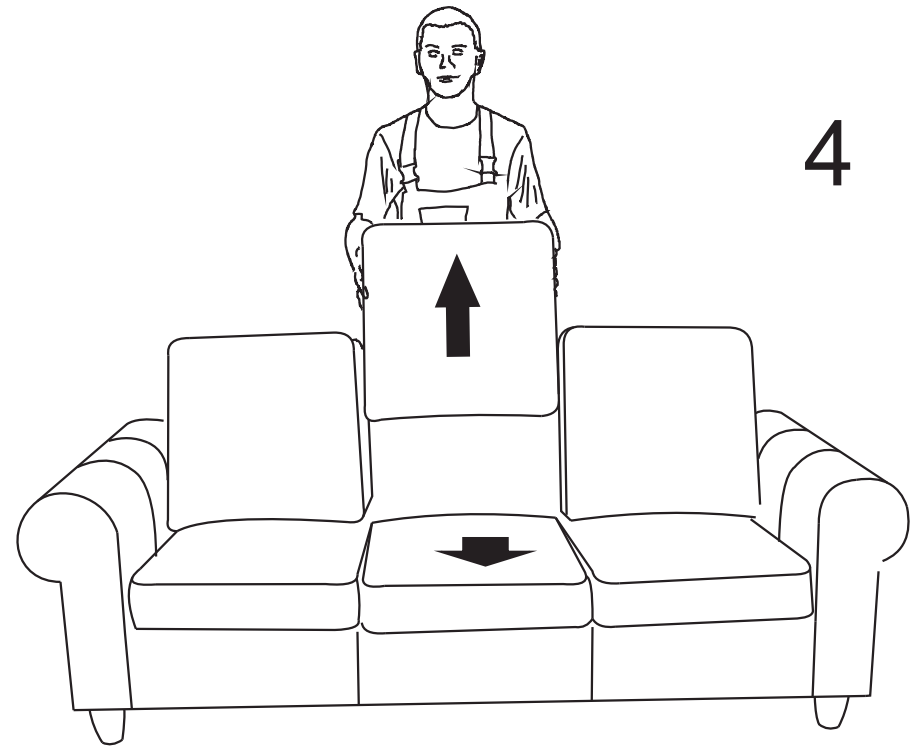
2



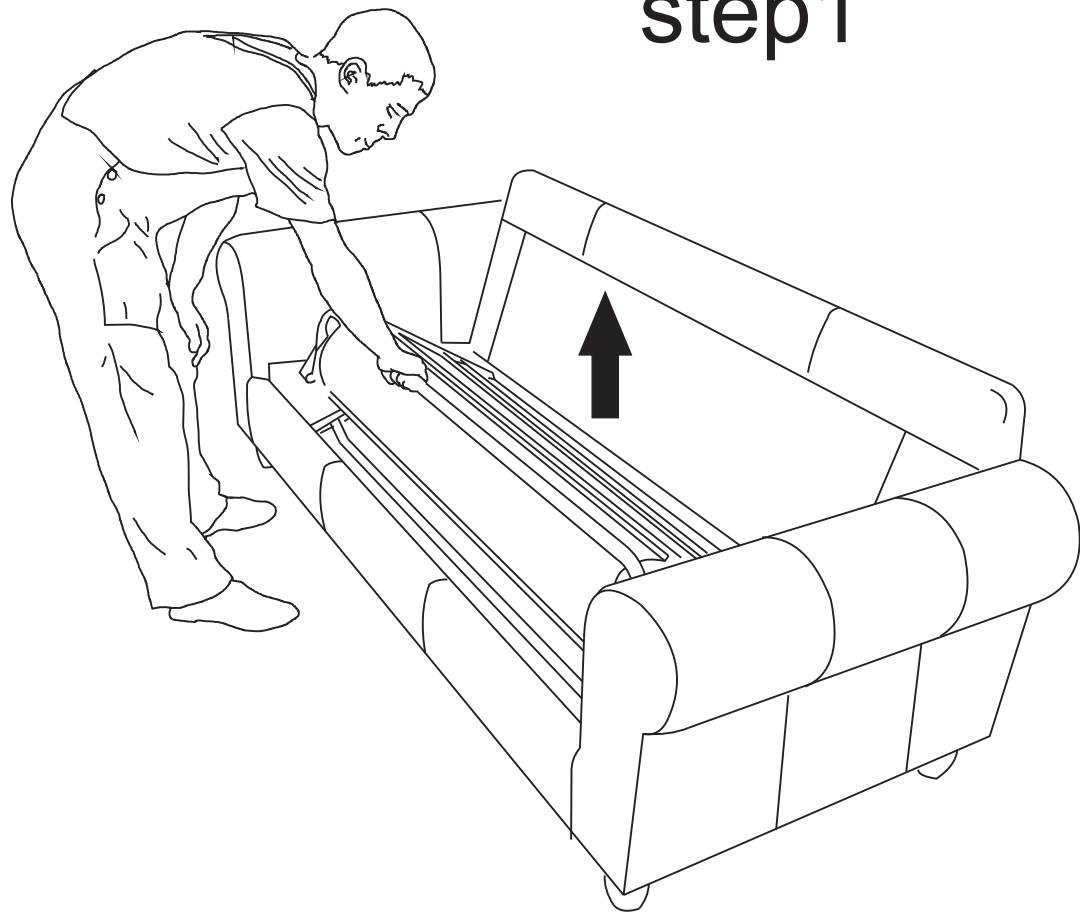
3



3



step 1



step 2

