

SKIL MASTERS

PROFESSIONAL POWER TOOLS

PLANER
1570 (F0151570..)



GB	ORIGINAL INSTRUCTIONS	6	UA	ОРИГІНАЛЬНА ІНСТРУКЦІЯ З ЕКСПЛУАТАЦІЇ	59
F	NOTICE ORIGINALE	9	GR	ΠΡΩΤΟΤΥΠΟ ΟΔΗΓΙΩΝ ΧΡΗΣΗΣ	62
D	ORIGINALBETRIEBSANLEITUNG	12	RO	INSTRUCȚIUNI DE FOLOSIRE ORIGINALE	66
NL	ORIGINELE GEBRUIKSAANWIJZING	16	BG	ОРИГИНАЛНО РЪКОВОДСТВО ЗА ЕКСПЛОАТАЦИЯ	69
S	BRUKSANVISNING I ORIGINAL	19	SK	PŔOVODNÝ NÁVOD NA POUŽITIE	73
DK	ORIGINAL BRUGSANVISNING	22	HR	ORIGINALNE UPUTE ZA RAD	77
N	ORIGINAL BRUKSANVISNING	25	SRB	ORIGINALNO UPUTSTVO ZA RAD	80
FIN	ALKUPERÄISET OHJEET	28	SLO	IZVIRNA NAVODILA	83
E	MANUAL ORIGINAL	31	EST	ALGUPÄRANE KASUTUSJUHEND	86
P	MANUAL ORIGINAL	35	LV	ORIĢINĀLĀ LIETOŠANAS PAMĀCĪBA	89
I	ISTRUZIONI ORIGINALI	38	LT	ORIGINALI INSTRUKCIJA	93
H	EREDETI HASZNÁLATI UTASÍTÁS	42	MK	ИЗБОРНО УПАТСТВО ЗА РАБОТА	96
CZ	PŔVODNÍM NÁVODEM K POUŽÍVÁNÍ	45	AL	UDHËZIMET ORIGINALE	99
TR	ORİJİNAL İŞLETME TALİMATI	48	AR	دليل الاستعمال	107
PL	INSTRUKCJA ORYGINALNA	51	FA	راهنمای اصلی	105
RU	ПОДЛИННИК РУКОВОДСТВА ПО ЭКСПЛУАТАЦИИ	55			

www.skilmasters.com



1 1570

900
Watt

EPTA 01/2003
3,7 kg

16000/min

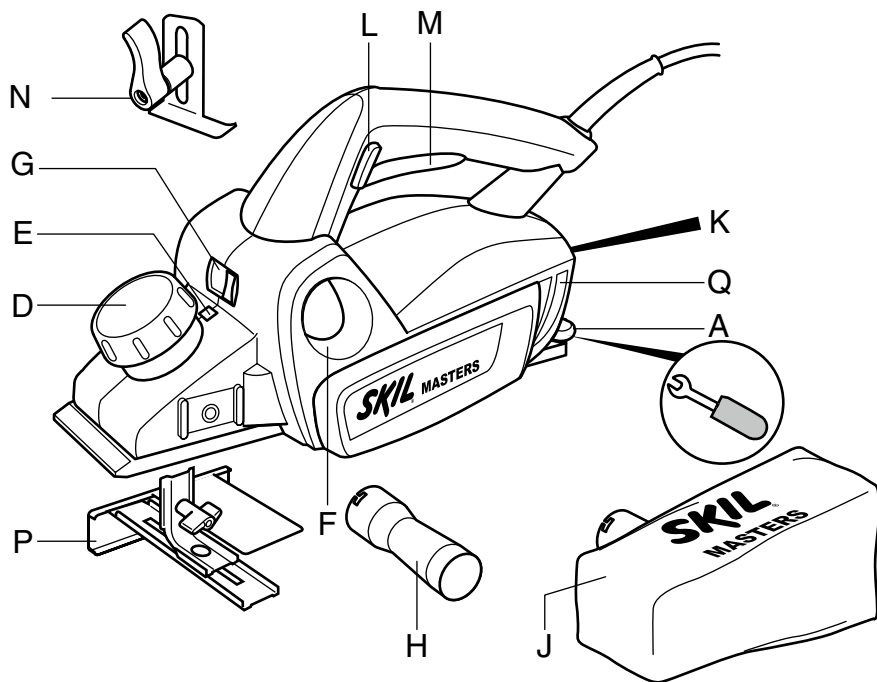
3 mm
82 mm

15 mm

230
240
V~
50-60 Hz

4m
RUBBER

2

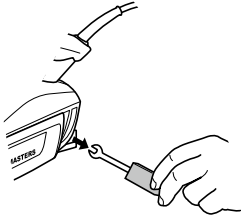


3

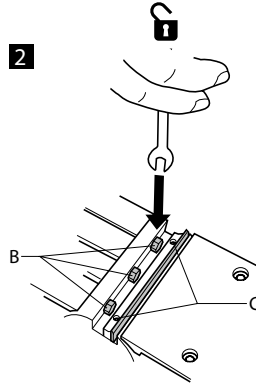


4

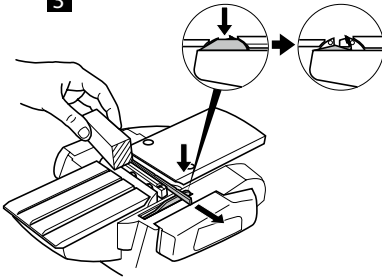
1



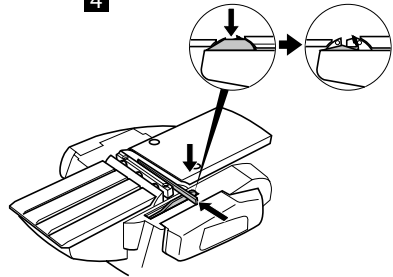
2



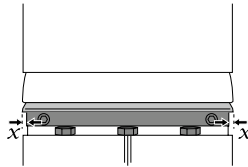
3



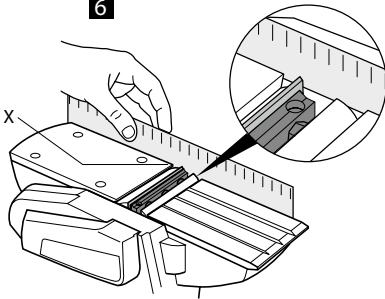
4



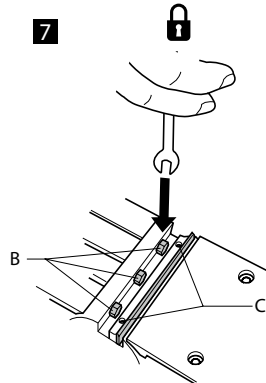
5



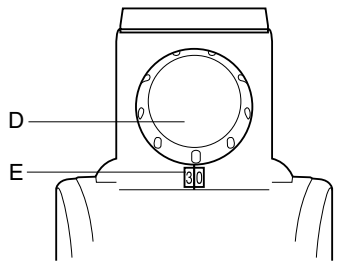
6



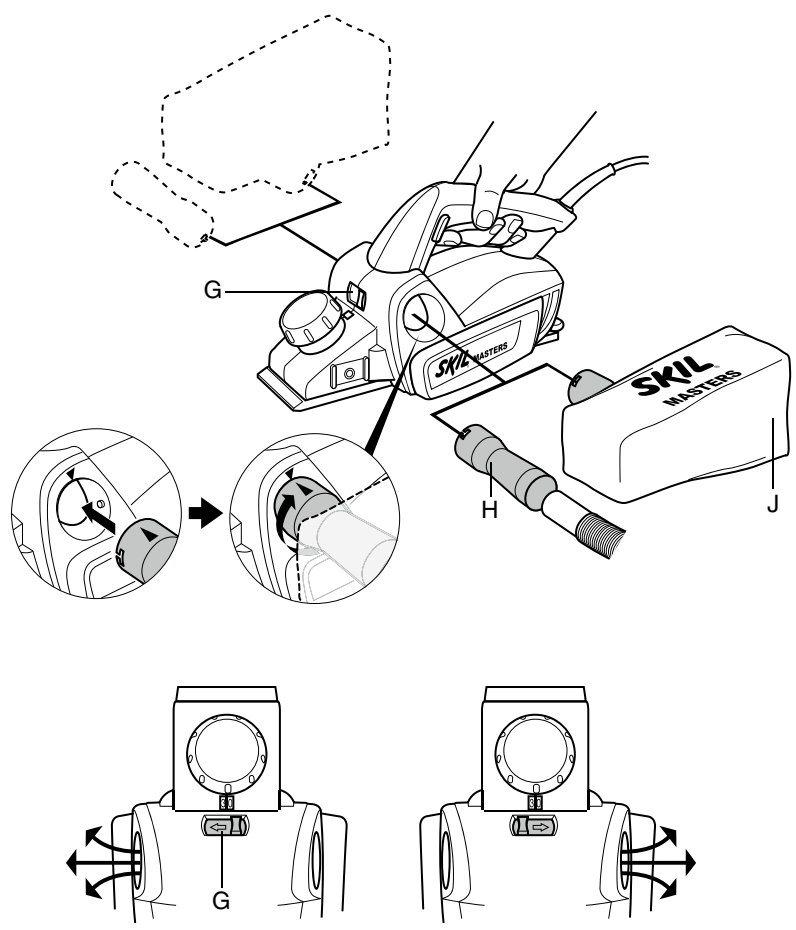
7

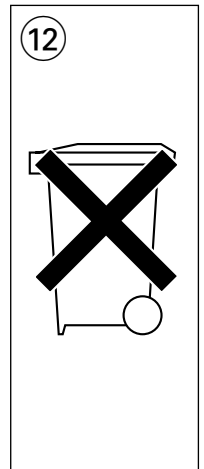
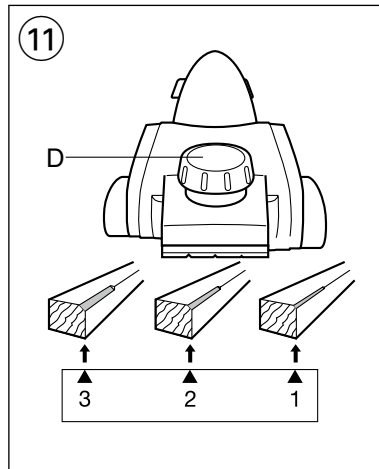
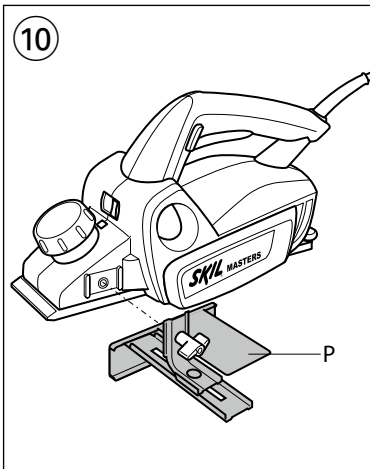
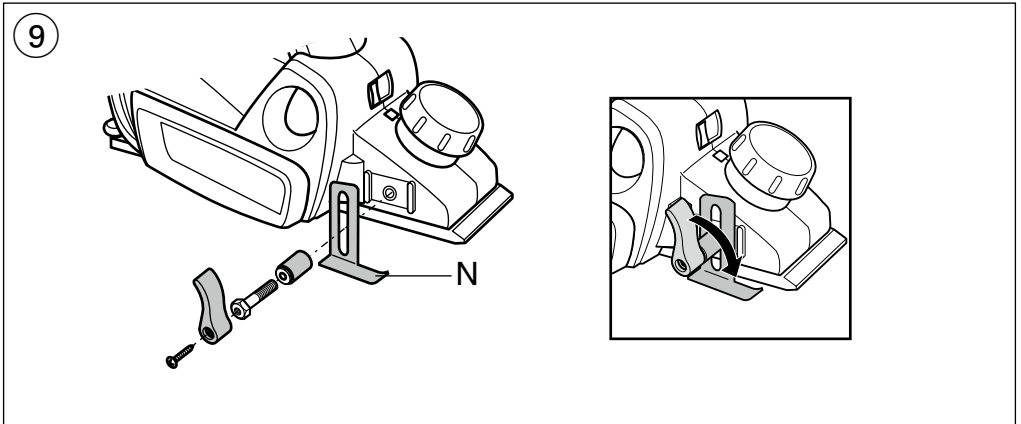
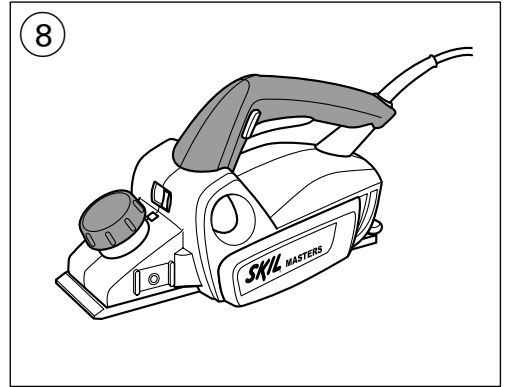
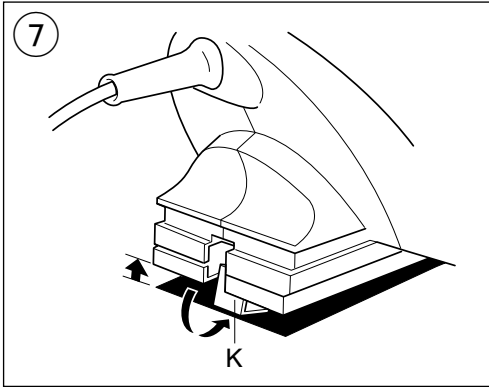


5



6





INTRODUCTION

- This tool is intended for planing wooden materials such as beams and boards; it is also suitable for chamfering edges and rabbeting
- Read and save this instruction manual ③

TECHNICAL DATA ①

TOOL ELEMENTS ②

- A Storage for key
- B Securing bolt
- C Cutter block screws
- D Knob for setting planing depth
- E Planing depth indicator
- F Chip outlet (left/right)
- G Chip outlet switch
- H Vacuum cleaner adapter
- J Dust bag
- K Park rest
- L Safety switch
- M On/off switch
- N Rabbeting depth adjuster
- P Parallel guide
- Q Ventilation slots

SAFETY

GENERAL SAFETY INSTRUCTIONS

⚠ WARNING! Read all safety warnings and all instructions. Failure to follow the warnings and instructions may result in electric shock, fire and/or serious injury. **Save all warnings and instructions for future reference.** The term "power tool" in the warnings refers to your mains-operated (corded) power tool or battery-operated (cordless) power tool.

1) WORK AREA SAFETY

- a) **Keep work area clean and well lit.** Cluttered or dark areas invite accidents.
- b) **Do not operate power tools in explosive atmospheres, such as in the presence of flammable liquids, gases or dust.** Power tools create sparks which may ignite the dust or fumes.
- c) **Keep children and bystanders away while operating a power tool.** Distractions can cause you to lose control.

2) ELECTRICAL SAFETY

- a) **Power tool plugs must match the outlet. Never modify the plug in any way. Do not use any adapter plugs with earthed (grounded) power tools.** Unmodified plugs and matching outlets will reduce risk of electric shock.
- b) **Avoid body contact with earthed or grounded surfaces such as pipes, radiators, ranges and refrigerators.** There is an increased risk of electric shock if your body is earthed or grounded.

- c) **Do not expose power tools to rain or wet conditions.** Water entering a power tool will increase the risk of electric shock.
- d) **Do not abuse the cord. Never use the cord for carrying, pulling or unplugging the power tool. Keep cord away from heat, oil, sharp edges or moving parts.** Damaged or entangled cords increase the risk of electric shock.
- e) **When operating a power tool outdoors, use an extension cord suitable for outdoor use.** Use of a cord suitable for outdoor use reduces the risk of electric shock.
- f) **If operating a power tool in a damp location is unavoidable, use an earth leakage circuit breaker.** Use of an earth leakage circuit breaker reduces the risk of electric shock.

3) PERSONAL SAFETY

- a) **Stay alert, watch what you are doing and use common sense when operating a power tool. Do not use a power tool while you are tired or under the influence of drugs, alcohol or medication.** A moment of inattention while operating power tools may result in serious personal injury.
- b) **Use personal protective equipment. Always wear eye protection.** Protective equipment such as dust mask, non-skid safety shoes, hard hat, or hearing protection used for appropriate conditions will reduce personal injuries.
- c) **Prevent unintentional starting. Ensure the switch is in the off-position before connecting to power source and/or battery pack, picking up or carrying the tool.** Carrying power tools with your finger on the switch or energising power tools that have the switch on invites accidents.
- d) **Remove any adjusting key or wrench before turning the power tool on.** A wrench or a key left attached to a rotating part of the power tool may result in personal injury.
- e) **Do not overreach. Keep proper footing and balance at all times.** This enables better control of the power tool in unexpected situations.
- f) **Dress properly. Do not wear loose clothing or jewelry. Keep your hair, clothing and gloves away from moving parts.** Loose clothes, jewelry or long hair can be caught in moving parts.
- g) **If devices are provided for the connection of dust extraction and collection facilities, ensure these are connected and properly used.** Use of dust collection can reduce dust-related hazards.

4) POWER TOOL USE AND CARE

- a) **Do not force the power tool. Use the correct power tool for your application.** The correct power tool will do the job better and safer at the rate for which it was designed.
- b) **Do not use the power tool if the switch does not turn it on and off.** Any power tool that cannot be controlled with the switch is dangerous and must be repaired.
- c) **Disconnect the plug from the power source and/or the battery pack from the power tool before making any adjustments, changing accessories, or storing power tools.** Such preventive safety measures reduce the risk of starting the power tool accidentally.

- d) **Store idle power tools out of the reach of children and do not allow persons unfamiliar with the power tool or these instructions to operate the power tool.**

Power tools are dangerous in the hands of untrained users.

- e) **Maintain power tools. Check for misalignment or binding of moving parts, breakage of parts and any other condition that may affect the power tool's operation. If damaged, have the power tool repaired before use.** Many accidents are caused by poorly maintained power tools.
- f) **Keep cutting tools sharp and clean.** Properly maintained cutting tools with sharp cutting edges are less likely to bind and are easier to control.
- g) **Use the power tool, accessories and tool bits etc., in accordance with these instructions, taking into account the working conditions and the work to be performed.** Use of the power tool for operations different from those intended could result in a hazardous situation.

5) SERVICE

- a) **Have your power tool serviced by a qualified repair person using only identical replacement parts.** This will ensure that the safety of the power tool is maintained.

SAFETY INSTRUCTIONS FOR PLANERS

GENERAL

- This tool should not be used by people under the age of 16 years
- The noise level when working can exceed 85 dB(A); wear ear protection
- **Do not work materials containing asbestos** (asbestos is considered carcinogenic)
- Dust from material such as paint containing lead, some wood species, minerals and metal may be harmful (contact with or inhalation of the dust may cause allergic reactions and/or respiratory diseases to the operator or bystanders); **wear a dust mask and work with a dust extraction device when connectable**
- Certain kinds of dust are classified as carcinogenic (such as oak and beech dust) especially in conjunction with additives for wood conditioning; **wear a dust mask and work with a dust extraction device when connectable**
- Follow the dust-related national requirements for the materials you want to work with
- SKIL can assure flawless functioning of the tool only when the correct accessories are used which can be obtained from your SKIL dealer
- Never use the tool when cord is damaged; have it replaced by a qualified person
- **Always disconnect plug from power source before making any adjustment or changing any accessory**

BEFORE USE

- Always check that the supply voltage is the same as the voltage indicated on the nameplate of the tool (tools with a rating of 230V or 240V can also be connected to a 220V supply)
- Avoid damage that can be caused by screws, nails and other elements in your workpiece; remove them before you start working
- Before using the tool check that the knives do not brush anywhere

- Use completely unrolled and safe extension cords with a capacity of 16 Amps (U.K. 13 Amps)
- **Use clamps or another practical way to secure and support the workpiece to a stable platform** (holding the work by your hand or against the body leaves it unstable and may lead to loss of control)

DURING USE

- **Hold power tool by insulated gripping surfaces, because the cutter may contact its own cord** (cutting a "live" wire may make exposed metal parts of the power tool "live" and shock the operator)
- Always keep the cord away from moving parts of the tool; direct the cord to the rear, away from the tool
- Keep your fingers away from the rotating knives
- In case of electrical or mechanical malfunction, immediately switch off the tool and disconnect the plug
- If the cord is damaged or cut through while working, do not touch the cord, but immediately disconnect the plug
- If any chip should get jammed in the chip outlet, you should switch off the motor, ensure that all moving parts have come to a complete standstill, disconnect the plug, and remove the jammed chip

AFTER USE

- **Wait for the cutter block to stop before setting the tool down** (an exposed knife may engage the surface leading to possible loss of control and serious injury)

WHEN CONNECTING NEW 3-PIN PLUG (U.K. ONLY):

- Do not connect the blue (= neutral) or brown (= live) wire in the cord of this tool to the earth terminal of the plug
- If for any reason the old plug is cut off the cord of this tool, it must be disposed of safely and not left unattended

USE

- Changing/reversing knives ④
This planer is equipped with non-grindable knives with cutting edges on both sides; so if one side has become blunt, the other side can be used
! switch off the tool and disconnect the plug
 - remove guiding devices, if mounted
 - take wrench from storage A
 - turn tool upside down
 - loosen 3 bolts B with wrench (do not remove bolts)
 - push knife out of cutter block with piece of wood
 - put knife back in cutter block in reversed position, or use new knife**! groove in knife should match ledge in cutter block**
! both knife ends should protrude equally
! ensure that knife end X aligns with edge of foot (set a ruler flat against housing as illustrated and use it as a stopper)
 - firmly tighten 3 bolts B with wrench**! change/reverse knives in time; only use sharp knives**
! always change/reverse both knives at the same time
! do not attempt to adjust the knives with cutter block screws C, which are pre-set at manufacturing
- Adjusting planing depth (0-3 mm) ⑤
 - turn knob D to select required depth
 - use indicator line E as reference

- always select a shallow planing depth and repeat the planing and adjusting process until the required depth is reached
- Chip outlet ⑥
 - select desired chip outlet side (left or right) with switch G
 - connect vacuum cleaner with adapter H to selected chip outlet as illustrated
 - one may also connect dust bag J to the selected chip outlet as illustrated
- ! **do not attempt to remove any obstructions from the chip outlet while knives are rotating**
- Park rest K ⑦
 - protects workpiece from damage when tool is put aside
 - will automatically fold backwards when planing
- Operating the tool
 - adjust planing depth
 - place tool on workpiece
- ! **ensure that only the front shoe rests on the workpiece and that the knives do not touch it**
- switch on the tool by first pressing knob L ② (= safety switch which cannot be locked) and then pulling trigger M ②
- ! **before the knives reach the workpiece, the tool should run at full speed**
- hold the tool firmly with both hands and guide it forward in a continuous stroke
- ! **while working, always hold the tool at the grey-coloured grip area(s) ⑧**
- use the tool with its base-plate on the workpiece
- do not tilt the tool in order to avoid unwanted planing marks
- keep ventilation slots Q ② uncovered
- ! **before switching off the tool, you should lift it from the workpiece**
- switch off the tool by releasing trigger M
- Planing rabbets ⑨
 - select required planing depth
 - select rabbeting depth by using rabbeting depth adjuster N
 - place tool on workpiece
 - start planing
 - maximum rabbeting width 82 mm
 - maximum rabbeting depth 15 mm
- When planing rabbets you will achieve better results by using parallel guide P to adjust rabbeting width ⑩

APPLICATION ADVICE

- For chamfering edges use the V-grooves in the front shoe ⑪
 - set knob D in "0" position
 - select one of the 3 V-grooves
- ! **always test out first on a piece of scrap material**

MAINTENANCE / SERVICE

- Always keep tool and cord clean (especially ventilation slots Q ②)
- ! **disconnect the plug before cleaning**
- If the tool should fail despite the care taken in manufacturing and testing procedures, repair should be

carried out by an after-sales service centre for SKIL power tools

- send the tool **undismantled** together with proof of purchase to your dealer or the nearest SKIL service station (addresses as well as the service diagram of the tool are listed on www.skilmasters.com)

ENVIRONMENT

- **Do not dispose of electric tools, accessories and packaging together with household waste material** (only for EU countries)
 - in observance of European Directive 2012/19/EC on waste of electric and electronic equipment and its implementation in accordance with national law, electric tools that have reached the end of their life must be collected separately and returned to an environmentally compatible recycling facility
 - symbol ⑫ will remind you of this when the need for disposing occurs

DECLARATION OF CONFORMITY CE

- We declare under our sole responsibility that the product described under "Technical data" is in conformity with the following standards or standardization documents: EN 60745, EN 61000, EN 55014, in accordance with the provisions of the directives 2004/108/EC, 2006/42/EC, 2011/65/EU
- **Technical file at:** SKIL Europe BV (PT-SEU/ENG1), 4825 BD Breda, NL

Marijn van der Hoofden
Operations & Engineering

Olaf Dijkgraaf
Approval Manager




SKIL Europe BV, 4825 BD Breda, NL

23.12.2013

NOISE/VIBRATION

- Measured in accordance with EN 60745 the sound pressure level of this tool is 91 dB(A) and the sound power level 102 dB(A) (standard deviation: 3 dB), and the vibration 6.9 m/s² (hand-arm method; uncertainty K = 1.5 m/s²)
- The vibration emission level has been measured in accordance with a standardised test given in EN 60745; it may be used to compare one tool with another and as a preliminary assessment of exposure to vibration when using the tool for the applications mentioned
 - using the tool for different applications, or with different or poorly maintained accessories, may significantly **increase** the exposure level
 - the times when the tool is switched off or when it is running but not actually doing the job, may significantly **reduce** the exposure level
- ! **protect yourself against the effects of vibration by maintaining the tool and its accessories, keeping your hands warm, and organizing your work patterns**

INTRODUCTION

- Cet outil est conçu pour le rabotage des matériaux en bois, tels que des poutres et des planches; il est également approprié pour chanfreiner et pour faire des feuillures
- Lisez et conservez ce manuel d'instruction ③

CARACTERISTIQUES TECHNIQUES ①

ELEMENTS DE L'OUTIL ②

- A Rangement pour la clé
- B Boulon de fixation
- C Vis de l'arbre porte-couteaux
- D Bouton de réglage de la profondeur de rabotage
- E Indicateur de la profondeur de rabotage
- F Evacuation copeaux (gauche/droite)
- G Interrupteur d'évacuation des copeaux
- H Adaptateur de l'aspirateur
- J Sac à poussière
- K Patin de repos
- L Interrupteur de sécurité
- M Interrupteur marche/arrêt
- N Guide de profondeur de feuillure
- P Guide parallèle
- Q Fentes de ventilation

SECURITE

INSTRUCTIONS GENERALES DE SECURITE

⚠ ATTENTION! Lisez tous les avertissements de sécurité et toutes les instructions. Ne pas suivre les avertissements et instructions peut entraîner un choc électrique, un incendie et/ou de graves blessures sur les personnes. **Conservez tous les avertissements et toutes les instructions pour pouvoir s'y reporter ultérieurement.** La notion d'"outil électroportatif" dans les avertissements se rapporte à des outils électriques raccordés au secteur (avec câble de raccordement) et à des outils électriques à batterie (sans câble de raccordement).

1) SECURITE DE LA ZONE DE TRAVAIL

- a) **Maintenez l'endroit de travail propre et bien éclairé.**
Un lieu de travail en désordre ou mal éclairé augmente le risque d'accidents.
- b) **N'utilisez pas l'appareil dans un environnement présentant des risques d'explosion et où se trouvent des liquides, des gaz ou poussières inflammables.** Les outils électroportatifs génèrent des étincelles risquant d'enflammer les poussières ou les vapeurs.
- c) **Tenez les enfants et autres personnes éloignés durant l'utilisation de l'outil électroportatif.** En cas d'inattention vous risquez de perdre le contrôle sur l'appareil.

2) SECURITE RELATIVE AU SYSTEME ELECTRIQUE

- a) **La fiche de secteur de l'outil électroportatif doit être appropriée à la prise de courant. Ne modifiez en aucun cas la fiche. N'utilisez pas de fiches d'adaptateur avec des appareils avec mise à la terre.** Les fiches non modifiées et les prises de courant appropriées réduisent le risque de choc électrique.
- b) **Évitez le contact physique avec des surfaces mises à la terre telles que tuyaux, radiateurs, fours et réfrigérateurs.** Il y a un risque élevé de choc électrique au cas où votre corps serait relié à la terre.
- c) **N'exposez pas l'outil électroportatif à la pluie ou à l'humidité.** La pénétration d'eau dans un outil électroportatif augmente le risque d'un choc électrique.
- d) **N'utilisez pas le câble à d'autres fins que celles prévues, n'utilisez pas le câble pour porter l'appareil ou pour l'accrocher ou encore pour le débrancher de la prise de courant. Maintenez le câble éloigné des sources de chaleur, des parties grasses, des bords tranchants ou des parties de l'appareil en rotation.** Un câble endommagé ou torsadé augmente le risque d'un choc électrique.
- e) **Au cas où vous utiliseriez l'outil électroportatif à l'extérieur, utilisez une rallonge autorisée homologuée pour les applications extérieures.** L'utilisation d'une rallonge électrique homologuée pour les applications extérieures réduit le risque d'un choc électrique.
- f) **Si l'usage d'un outil dans un emplacement humide est inévitable, utilisez un disjoncteur de fuite à la terre.** L'utilisation d'un disjoncteur de fuite à la terre réduit le risque de choc électrique.

3) SECURITE DES PERSONNES

- a) **Restez vigilant, surveillez ce que vous faites. Faites preuve de bon sens en utilisant l'outil électroportatif. N'utilisez pas l'appareil lorsque vous êtes fatigué ou après avoir consommé de l'alcool, des drogues ou avoir pris des médicaments.** Un moment d'inattention lors de l'utilisation de l'appareil peut entraîner de graves blessures sur les personnes.
- b) **Portez des équipements de protection. Portez toujours des lunettes de protection.** Le fait de porter des équipements de protection personnels tels que masque anti-poussières, chaussures de sécurité antidérapantes, casque de protection ou protection acoustique suivant le travail à effectuer, réduit le risque de blessures.
- c) **Évitez tout démarrage intempestif. S'assurez que l'interrupteur est en position arrêté avant de brancher l'outil au secteur et/ou au bloc de batteries, de le ramasser ou de le porter.** Porter les outils en ayant le doigt sur l'interrupteur ou brancher des outils dont l'interrupteur est en position marche est source d'accidents.
- d) **Enlevez tout outil de réglage ou toute clé avant de mettre l'appareil en fonctionnement.** Une clé ou un outil se trouvant sur une partie en rotation peut causer des blessures.
- e) **Ne surestimez pas vos capacités. Veillez à garder toujours une position stable et équilibrée.** Ceci vous permet de mieux contrôler l'appareil dans des situations inattendues.

- f) **Portez des vêtements appropriés. Ne portez pas de vêtements amples ni de bijoux. Maintenez cheveux, vêtements et gants éloignés des parties de l'appareil en rotation.** Des vêtements amples, des bijoux ou des cheveux longs peuvent être happés par des pièces en mouvement.
- g) **Si des dispositifs servant à aspirer ou à recueillir les poussières doivent être utilisés, vérifiez que ceux-ci soient effectivement raccordés et qu'ils sont correctement utilisés.** L'utilisation des collecteurs de poussière réduit les dangers dus aux poussières.

4) UTILISATION ET EMPLOI SOIGNEUX DE L'OUTIL ELECTROPORTATIF

- a) **Ne surchargez pas l'appareil. Utilisez l'outil électroportatif approprié au travail à effectuer.** Avec l'outil électroportatif approprié, vous travaillerez mieux et avec plus de sécurité à la vitesse pour laquelle il est prévu.
- b) **N'utilisez pas un outil électroportatif dont l'interrupteur est défectueux.** Un outil électroportatif qui ne peut plus être mis en ou hors fonctionnement est dangereux et doit être réparé.
- c) **Débranchez la fiche de la source d'alimentation en courant et/ou le bloc de batteries de l'outil avant tout réglage, changement d'accessoires ou avant de ranger l'outil.** Cette mesure de précaution empêche une mise en fonctionnement par mégardé.
- d) **Gardez les outils électroportatifs non utilisés hors de portée des enfants. Ne permettez pas l'utilisation de l'appareil à des personnes qui ne se sont pas familiarisées avec celui-ci ou qui n'ont pas lu ces instructions.** Les outils électroportatifs sont dangereux lorsqu'ils sont utilisés par des personnes non initiées.
- e) **Prenez soin des outils électroportatifs. Vérifiez que les parties en mouvement fonctionnent correctement et qu'elles ne soient pas coincées, et contrôlez si des parties sont cassées ou endommagées de telle sorte que le bon fonctionnement de l'appareil s'en trouve entravé. Faites réparer les parties endommagées avant d'utiliser l'appareil.** De nombreux accidents sont dus à des outils électroportatifs mal entretenus.
- f) **Maintenez les outils de coupe aiguisés et propres.** Des outils soigneusement entretenus avec des bords tranchants bien aiguisés se coincent moins souvent et peuvent être guidés plus facilement.
- g) **Utilisez les outils électroportatifs, les accessoires, les outils à monter etc. conformément à ces instructions. Tenez compte également des conditions de travail et du travail à effectuer.** L'utilisation des outils électroportatifs à d'autres fins que celles prévues peut entraîner des situations dangereuses.

5) SERVICE

- a) **Ne faites réparer votre outil électroportatif que par un personnel qualifié et seulement avec des pièces de rechange d'origine.** Ceci permet d'assurer la sécurité de l'appareil.

INSTRUCTIONS DE SECURITE POUR RABOTS

GENERALITES

- Cet outil ne doit pas être utilisé par des personnes de moins de 16 ans
- Le niveau sonore en fonctionnement peut dépasser 85 dB(A); munissez-vous de casques anti-bruit
- **Ne travaillez pas de matériaux contenant de l'amiante** (l'amiante est considérée comme étant cancérigène)
- La poussière de matériaux, tels que la peinture contenant du plomb, certaines espèces de bois, certains minéraux et différents métaux, peut être nocive (le contact avec la poussière ou son inhalation peut provoquer des réactions allergiques et/ou des maladies respiratoires chez l'opérateur ou des personnes se trouvant à proximité); **portez un masque antipoussières et travaillez avec un appareil de dé poussiérage lorsqu'il est possible d'en connecter un**
- Certains types de poussières sont classifiés comme étant cancérigènes (tels que la poussière de chêne ou de hêtre), en particulier en combinaison avec des additifs de traitement du bois; **portez un masque antipoussières et travaillez avec un appareil de dé poussiérage lorsqu'il est possible d'en connecter un**
- Suivez les directives nationales relatives au dé poussiérage pour les matériaux à travailler
- SKIL ne peut se porter garant du bon fonctionnement de cet outil que s'il a été utilisé avec les accessoires appropriés en vente chez votre distributeur SKIL
- N'utilisez jamais d'outil avec un câble endommagé; faites-le remplacer par un technicien qualifié
- **Débranchez toujours l'outil avant tout réglage ou changement d'accessoire**

AVANT L'USAGE

- Contrôlez toujours si la tension secteur correspond à la tension indiquée sur la plaquette signalétique de l'outil (les outils conçus pour une tension de 230V ou 240V peuvent également être branchés sur 220V)
- Faites attention aux vis, clous ou autres éléments qui pourraient se trouver dans la pièce à travailler et qui risqueraient d'endommager très fortement votre outil; enlevez-les avant de commencer le travail
- Avant d'utiliser l'outil, vérifiez que les couteaux ne vont pas entailler un quelconque objet
- Utilisez un câble de prolongement complètement déroulé et de bonne qualité d'une capacité de 16 A
- **Utilisez des pinces ou tout autre système pratique pour fixer et soutenir la pièce à travailler sur une surface stable** (si vous la tenez dans la main ou contre le corps, elle peut devenir instable et risquer de vous échapper)

PENDANT L'USAGE

- **Tenez l'outil électroportatif par ses poignées isolées, car le dispositif de coupe peut entrer en contact avec son propre câble** (couper un fil sous tension peut mettre sous tension des parties métalliques exposées et cela pourrait électrocuter l'utilisateur)
- Tenez toujours le câble éloigné des parties mobiles de l'outil; orientez le câble vers l'arrière le plus loin possible de l'outil
- Tenez vos doigts hors de portée des couteaux rotatifs

- En cas de dysfonctionnement électrique ou mécanique, mettez directement l'outil hors service et débranchez la fiche
- Si le câble est endommagé ou rompu pendant le travail, n'y touchez pas, mais débranchez immédiatement la prise
- Pour retirer un copeau qui bloque l'éjecteur, coupez le moteur, s'assurez que toutes les pièces mobiles sont complètement arrêtées, débranchez l'outil et retirez le copeau

APRES L'USAGE

- **Attendez l'arrêt complet du porte-couteau avant de reposer l'outil** (un couteau en marche peut attaquer la surface entraînant ainsi une possible perte de contrôle et donc un risque de blessure grave)

UTILISATION

- Changement/inversion des couteaux ④
Ce rabot est équipé de couteaux non-réaffutables dont les bords sont coupants sur les deux côtés; ainsi si un côté est émoussé, l'autre côté peut être utilisé
! arrêtez l'outil et débranchez la prise
- démontez les dispositifs de guidage, si ceux-ci sont montés
- prenez la clé du rangement A
- tournez l'outil à l'envers
- desserrez les 3 boulons B avec la clé (n'enlevez pas les boulons)
- sortez le couteau du porte-couteau avec un bout de bois
- remplacez le couteau dans le porte-couteau en position inverse ou utilisez un nouveau couteau
! la rainure dans le couteau doit s'enclencher dans l'arbre porte-couteaux
! les deux extrémités du couteau devraient faire saillie de la même manière
! s'assurez que l'extrémité du couteau X est aligné avec le bord de la semelle (posez une règle à plat contre le carter, comme illustré, et s'en servez comme butée)
- serrez fermement les 3 boulons B avec la clé
! changez/inversez les couteaux en temps utile; utilisez seulement des couteaux tranchants
! changez/inversez les couteaux les deux couteaux en même temps
! n'essayez pas d'adapter les couteaux avec les vis C de l'arbre porte-couteaux qui sont pré-réglées en usine
- Réglage de la profondeur de rabotage (0-3 mm) ⑤
- tournez le bouton D pour choisir la profondeur désirée
- utilisez la ligne indicative E comme référence
- choisissez toujours une profondeur de rabotage peu profonde et répétez le processus de rabotage et d'ajustement jusqu'à ce que la profondeur désirée soit atteinte
- Evacuation des copeaux ⑥
- sélectionnez le côté d'évacuation des copeaux souhaité (gauche ou droit) à l'aide de l'interrupteur G
- branchez l'aspirateur à l'aide de l'adaptateur H à l'évacuation de copeaux sélectionnée comme illustré
- vous pouvez également raccorder le sac à poussière J à l'évacuation de copeaux sélectionnée comme illustré

! n'essayez pas d'éliminer toute obstruction de l'évacuation des copeaux lorsque les couteaux sont en mouvement

- Patin de repos K ⑦
- protégez la pièce à travailler de tout dommage quand l'outil est placé sur le côté
- se pliera automatiquement vers l'arrière lors du rabotage
- Utilisation de l'outil
- ajustez la profondeur de rabotage
- positionnez l'outil sur la pièce à travailler
! assurez-vous que seule la semelle avant repose sur la pièce à travailler et que les couteaux ne la touchent pas
- mettez l'outil en marche en appuyant d'abord sur le bouton L ② (= interrupteur de sécurité qu'on ne peut pas bloquer) et puis en poussant la gâchette M ②
! avant que les couteaux atteignent la pièce à travailler, l'outil doit être à pleine vitesse
- tenez l'outil fermement des deux mains et guidez le vers l'avant en un mouvement continu
! lorsque vous travaillez, tenez toujours l'outil par la(les) zone(s) de couleur grise ⑧
- utilisez l'outil avec la plaque-base sur la pièce à travailler
- n'inclinez pas l'outil pour éviter des marques de rabotage indésirables
- veillez à ce que les fentes de ventilation Q ② soient découvertes
! avant d'arrêter l'outil, vous devriez le soulever de la pièce à travailler
- arrêtez l'outil en relâchant la gâchette M
- Rabotage des feuillures ⑨
- réglez la profondeur de rabotage désirée
- réglez la profondeur de feuillure en utilisant le guide de profondeur de feuillure N
- positionnez l'outil sur la pièce à travailler
- commencez à raboter
- largeur maximale de feuillure 82 mm
- profondeur maximale de feuillure 15 mm
- Pour la réalisation de feuillures vous obtiendrez de meilleurs résultats en utilisant le guide parallèle P permettant de régler la largeur de feuillure ⑩

CONSEILS D'UTILISATION


- Pour chanfreiner, utilisez les rainures en V dans la semelle avant ⑪
- sélectionnez la position "0" avec le bouton D
- sélectionnez l'une des 3 rainures en V
! toujours faites un essai sur une pièce de rebut

ENTRETIEN / SERVICE APRES-VENTE

- Gardez toujours votre outil et le câble propres (spécialement les aérations Q ②)
! débranchez la fiche avant le nettoyage
- Si, malgré tous les soins apportés à la fabrication et au contrôle de l'outil, celui-ci devait avoir un défaut, la réparation ne doit être confiée qu'à une station de service après-vente agréée pour outillage SKIL
- retournez l'outil **non démonté** avec votre preuve d'achat au revendeur ou au centre de service

après-vente SKIL le plus proche (les adresses ainsi que la vue éclatée de l'outil figurent sur www.skilmasters.com)

ENVIRONNEMENT

- **Ne jetez pas les outils électriques, les accessoires et l'emballage dans les ordures ménagères** (pour les pays européens uniquement)
 - conformément à la directive européenne 2012/19/EG relative aux déchets d'équipements électriques ou électroniques, et à sa transposition dans la législation nationale, les outils électriques usés doivent être collectés séparément et faire l'objet d'un recyclage respectueux de l'environnement
 - le symbole  vous le rappellera au moment de la mise au rebut de l'outil

DÉCLARATION DE CONFORMITÉ CE

- Nous déclarons sous notre propre responsabilité que le produit décrit sous "Caractéristiques techniques" est en conformité avec les normes ou documents normatifs suivants: EN 60745, EN 61000, EN 55014, conformément aux termes des réglementations en vigueur 2004/108/CE, 2006/42/CE, 2011/65/UE
- **Dossier technique auprès de:** SKIL Europe BV (PT-SEU/ENG1), 4825 BD Breda, NL

Marijn van der Hoofden
Operations & Engineering

Olaf Dijkgraaf
Approval Manager

SKIL Europe BV, 4825 BD Breda, NL

23.12.2013

BRUIT/VIBRATION


- Mesuré selon EN 60745 le niveau de la pression sonore de cet outil est 91 dB(A) et le niveau de la puissance sonore 102 dB(A) (déviations standard: 3 dB), et la vibration 6,9 m/s² (méthode main-bras; incertitude K = 1,5 m/s²)
 - Le niveau de vibrations émises a été mesuré conformément à l'essai normalisé de la norme EN 60745; il peut être utilisé pour comparer plusieurs outils et pour réaliser une évaluation préliminaire de l'exposition aux vibrations lors de l'utilisation de l'outil pour les applications mentionnées
 - l'utilisation de l'outil dans d'autres applications, ou avec des accessoires différents ou mal entretenus, peut considérablement **augmenter** le niveau d'exposition
 - la mise hors tension de l'outil et sa non-utilisation pendant qu'il est allumé peuvent considérablement **réduire** le niveau d'exposition
- ! protégez-vous contre les effets des vibrations par un entretien correct de l'outil et de ses accessoires, en gardant vos mains chaudes et en structurant vos schémas de travail**

D

Hobel

1570

INLEITUNG

- Dieses Werkzeug ist bestimmt zum Hobeln von Holzwerkstoffe wie Balken und Bretter; es eignet sich auch zum Abschrägen von Kanten und zum Falzen
- Bitte diese Bedienungsanleitung sorgfältig lesen und aufbewahren 

TECHNISCHE DATEN

WERKZEUGKOMPONENTEN

A Halterung für Schlüssel
B Sicherungsbolzen
C Messerrolleschrauben
D Hobeltiefe-Einstellknopf
E Hobeltiefenanzeige
F Spanauslassstutzen (links/rechts)
G Spanauslassstutzen-Schalter
H Staubsaugeranschluss
J Staubbeutel
K Parkschuh
L Sicherheitsschalter
M Ein/Aus-Schalter
N Falztiefenanschlag
P Seitenanschlag
Q Lüftungsschlitze

SICHERHEIT

ALLGEMEINE SICHERHEITSHINWEISE

⚠ ACHTUNG! Lesen Sie alle Sicherheitshinweise und Anweisungen. Versäumnisse bei der Einhaltung der Sicherheitshinweise und Anweisungen können elektrischen Schlag, Brand und/oder schwere Verletzungen verursachen. **Bewahren Sie alle Sicherheitshinweise und Anweisungen für die Zukunft auf.** Der in den Sicherheitshinweisen verwendete Begriff "Elektrowerkzeug" bezieht sich auf netzbetriebene Elektrowerkzeuge (mit Netzkabel) und auf akkubetriebene Elektrowerkzeuge (ohne Netzkabel).

1) ARBEITSPLATZSICHERHEIT

- Halten Sie Ihren Arbeitsbereich sauber und gut beleuchtet.** Unordnung oder unbeleuchtete Arbeitsbereiche können zu Unfällen führen.
- Arbeiten Sie mit dem Gerät nicht in explosionsgefährdeter Umgebung, in der sich brennbare Flüssigkeiten, Gase oder Stäube befinden.** Elektrowerkzeuge erzeugen Funken, die den Staub oder die Dämpfe entzünden können.
- Halten Sie Kinder und andere Personen während der Benutzung des Elektrowerkzeugs fern.** Bei Ablenkung können Sie die Kontrolle über das Gerät verlieren.

2) ELEKTRISCHE SICHERHEIT

a) **Der Anschlussstecker des Gerätes muss in die Steckdose passen. Der Stecker darf in keiner Weise verändert werden. Verwenden Sie keine Adapterstecker gemeinsam mit schutzgeerdeten Geräten.** Unveränderte Stecker und passende Steckdosen verringern das Risiko eines elektrischen Schlages.

b) **Vermeiden Sie Körperkontakt mit geerdeten Oberflächen, wie von Rohren, Heizungen, Herden und Kühlschränken.** Es besteht ein erhöhtes Risiko durch elektrischen Schlag, wenn Ihr Körper geerdet ist.

c) **Halten Sie das Gerät von Regen oder Nässe fern.** Das Eindringen von Wasser in ein Elektrogerät erhöht das Risiko eines elektrischen Schlages.

d) **Zweckentfremden Sie das Kabel nicht, um das Gerät zu tragen, aufzuhängen oder um den Stecker aus der Steckdose zu ziehen. Halten Sie das Kabel fern von Hitze, Öl, scharfen Kanten oder sich bewegenden Geräteteilen.** Beschädigte oder verwickelte Kabel erhöhen das Risiko eines elektrischen Schlages.

e) **Wenn Sie mit einem Elektrowerkzeug im Freien arbeiten, verwenden Sie nur Verlängerungskabel, die auch für den Außenbereich zugelassen sind.** Die Anwendung eines für den Außenbereich geeigneten Verlängerungskabels verringert das Risiko eines elektrischen Schlages.

f) **Wenn der Betrieb des Elektrowerkzeuges in feuchter Umgebung nicht vermeidbar ist, verwenden Sie einen Fehlerstromschutzschalter.** Der Einsatz eines Fehlerstromschutzschalters vermindert das Risiko eines elektrischen Schlages.

3) SICHERHEIT VON PERSONEN

a) **Seien Sie aufmerksam, achten Sie darauf, was Sie tun, und gehen Sie mit Vernunft an die Arbeit mit einem Elektrowerkzeug. Benutzen Sie das Gerät nicht, wenn Sie müde sind oder unter dem Einfluss von Drogen, Alkohol oder Medikamenten stehen.** Ein Moment der Unachtsamkeit beim Gebrauch des Gerätes kann zu ernsthaften Verletzungen führen.

b) **Tragen Sie persönliche Schutzausrüstung und immer eine Schutzbrille.** Das Tragen persönlicher Schutzausrüstung, wie Staubmaske, rutschfeste Sicherheitsschuhe, Schutzhelm oder Gehörschutz, je nach Art und Einsatz des Elektrowerkzeuges, verringert das Risiko von Verletzungen.

c) **Vermeiden Sie eine unbeabsichtigte Inbetriebnahme. Vergewissern Sie sich, dass das Elektrowerkzeug ausgeschaltet ist, bevor Sie es an die Stromversorgung und/oder den Akku anschließen, es aufnehmen oder tragen.** Wenn Sie beim Tragen des Elektrowerkzeuges den Finger am Schalter haben oder das Gerät eingeschaltet an die Stromversorgung anschließen, kann dies zu Unfällen führen.

d) **Entfernen Sie Einstellwerkzeuge oder Schraubenschlüssel, bevor Sie das Gerät einschalten.** Ein Werkzeug oder Schlüssel, der sich in einem drehenden Geräteteil befindet, kann zu Verletzungen führen.

e) **Überschätzen Sie sich nicht. Sorgen Sie für einen sicheren Stand und halten Sie jederzeit das Gleichgewicht.** Dadurch können Sie das Gerät in unerwarteten Situationen besser kontrollieren.

f) **Tragen Sie geeignete Kleidung. Tragen Sie keine weite Kleidung oder Schmuck. Halten Sie Haare, Kleidung und Handschuhe fern von sich bewegenden Teilen.** Lockere Kleidung, Schmuck oder lange Haare können von sich bewegenden Teilen erfasst werden.

g) **Wenn Staubabsaug- und -auffangeinrichtungen montiert werden können, vergewissern Sie sich, dass diese angeschlossen sind und richtig verwendet werden.** Verwendung einer Staubabsaugung verringert Gefährdungen durch Staub.

4) SORGFÄLTIGER UMGANG UND GEBRAUCH VON ELEKTROWERKZEUGEN

a) **Überlasten Sie das Gerät nicht. Verwenden Sie für Ihre Arbeit das dafür bestimmte Elektrowerkzeug.** Mit dem passenden Elektrowerkzeug arbeiten Sie besser und sicherer im angegebenen Leistungsbereich.

b) **Benutzen Sie kein Elektrowerkzeug, dessen Schalter defekt ist.** Ein Elektrowerkzeug, das sich nicht mehr ein- oder ausschalten lässt, ist gefährlich und muss repariert werden.

c) **Ziehen Sie den Stecker aus der Steckdose und/oder entfernen Sie den Akku, bevor Sie Geräteeinstellungen vornehmen, Zubehörteile wechseln oder das Gerät weglegen.** Diese Vorsichtsmaßnahme verhindert den unbeabsichtigten Start des Geräts.

d) **Bewahren Sie unbenutzte Elektrowerkzeuge außerhalb der Reichweite von Kindern auf. Lassen Sie Personen das Gerät nicht benutzen, die mit diesem nicht vertraut sind oder diese Anweisungen nicht gelesen haben.** Elektrowerkzeuge sind gefährlich, wenn Sie von unerfahrenen Personen benutzt werden.

e) **Pflegen Sie das Gerät mit Sorgfalt. Kontrollieren Sie, ob bewegliche Geräteteile einwandfrei funktionieren und nicht klemmen, ob Teile gebrochen oder so beschädigt sind, dass die Funktion des Gerätes beeinträchtigt ist. Lassen Sie beschädigte Teile vor dem Einsatz des Geräts reparieren.** Viele Unfälle haben ihre Ursache in schlecht gewarteten Elektrowerkzeugen.

f) **Halten Sie Schneidwerkzeuge scharf und sauber.** Sorgfältig gepflegte Schneidwerkzeuge mit scharfen Schneidkanten verklemmen sich weniger und sind leichter zu führen.

g) **Verwenden Sie Elektrowerkzeug, Zubehör, Einsatzwerkzeuge usw. entsprechend diesen Anweisungen. Berücksichtigen Sie dabei die Arbeitsbedingungen und die auszuführende Tätigkeit.** Der Gebrauch von Elektrowerkzeugen für andere als die vorgesehenen Anwendungen kann zu gefährlichen Situationen führen.

5) SERVICE

a) **Lassen Sie Ihr Gerät nur von qualifiziertem Fachpersonal und nur mit Original-Ersatzteilen reparieren.** Damit wird sichergestellt, dass die Sicherheit des Geräts erhalten bleibt.

SICHERHEITSHINWEISE FÜR HOBEL

ALLGEMEINES

- Der Benutzer dieses Werkzeuges sollte älter als 16 Jahre sein
- Der Geräuschpegel beim Arbeiten kann 85 dB(A) überschreiten; Gehörschutz tragen
- **Bearbeiten Sie kein asbesthaltiges Material** (Asbest gilt als krebserregend)
- Staub von Materialien wie Farbe, die Blei enthält, einigen Holzarten, Mineralien und Metall kann schädlich sein (Kontakt mit oder Einatmen des Staubs kann zu allergischen Reaktionen und/oder Atemwegserkrankheiten beim Bediener oder Umstehenden führen); **tragen Sie eine Staubmaske und arbeiten Sie mit einem Staubabsaugungssystem, wenn ein solches angeschlossen werden kann**
- Bestimmte Arten von Staub sind als karzinogen klassifiziert (beispielsweise Eichen- und Buchenholzstaub), insbesondere in Verbindung mit Zusätzen für die Holzvorbehandlung; **tragen Sie eine Staubmaske und arbeiten Sie mit einem Staubabsaugungssystem, wenn ein solches angeschlossen werden kann**
- Beachten Sie die für Ihr verwendetes Verbrauchsmaterial gültigen nationalen Staubschutzvorgaben
- SKIL kann nur dann die einwandfreie Funktion des Werkzeuges zusichern, wenn das entsprechende Zubehör verwendet wird, welches bei ihren Fachhändlern erhältlich ist
- Werkzeug nicht weiter verwenden, wenn das Kabel beschädigt ist; lassen Sie dieses von einem anerkannten Elektrofachmann ersetzen
- **Ziehen Sie grundsätzlich den Netzstecker, bevor Sie beliebige Änderungen an den Einstellungen oder einen Zubehörwechsel vornehmen**

VOR DER ANWENDUNG

- Stets nachprüfen, daß die Netzspannung mit der auf dem Typenschild des Werkzeuges angegebenen Spannung übereinstimmt (mit 230V oder 240V beschriftete Werkzeuge können auch an 220V betrieben werden)
- Beschädigungen durch Schrauben, Nägel und ähnliches an Ihrem Werkstück vermeiden; diese vor Arbeitsbeginn entfernen
- Vergewissern Sie sich vor Benutzung des Werkzeuges, dass die Messer sich berührungsgelos drehen
- Bei Benutzung von Verlängerungskabeln ist darauf zu achten, daß das Kabel vollständig abgerollt ist und eine Kapazität von 16 A hat
- **Verwenden Sie Klemmen oder andere praktische Vorrichtungen, um das Werkstück an einer stabilen Plattform zu sichern und zu befestigen** (wenn das Werkstück in der Hand oder gegen den Körper gehalten wird, ist es nicht stabil und man kann die Kontrolle verlieren)

WÄHREND DER ANWENDUNG

- **Fassen Sie das Elektrowerkzeug nur an den isolierten Griffflächen an, da die Schneidvorrichtung mit seinem eigenen Netzkabel in Berührung kommen kann** (ein Einschneiden eines spannungsführenden Kabels kann zu einer Spannungsübertragung auf die ungeschützten Metallteile

des Elektrowerkzeuges führen und kann so dem Bediener einen Stromschlag versetzen)

- Das Kabel immer von umlaufenden Teilen des Werkzeuges fernhalten; das Kabel nach hinten vom Werkzeug weg führen
- Halten Sie Ihre Finger von den umlaufenden Messern fern
- Bei elektrischer oder mechanischer Fehlfunktion das Werkzeug sofort ausschalten und den Netzstecker ziehen
- Wird bei der Arbeit das Kabel beschädigt oder durchtrennt, Kabel nicht berühren, sondern sofort den Netzstecker ziehen
- Schalten Sie, wenn der Spanauslaßstutzen durch Späne verstopft ist, zuerst Ihr Werkzeug aus, überzeugen Sie sich, daß alle beweglichen Teile vollständig zum Stillstand gekommen sind, ziehen Sie den Netzstecker, und entfernen Sie erst dann die die Verstopfung verursachenden Späne

NACH DER ANWENDUNG

- **Vor dem Absetzen des Werkzeuges muss die Messerrolle zum Stillstand gekommen sein** (ein entblößtes Messer kann in die Oberfläche eindringen und zu Kontrollverlust und ernsthaften Verletzungen führen)

BEDIENUNG

- Wechseln/Wenden der Messer ④
Dieser Hobel ist mit doppelseitigen, nicht nachschleifbaren Messern ausgerüstet; wenn eine Seite daher abgestumpft ist, kann die andere Seite benutzt werden
! das Werkzeug ausschalten und den Netzstecker ziehen
 - Führungsvorrichtungen, falls montiert, entfernen
 - den Schlüssel aus Halterung A entnehmen
 - Werkzeug umdrehen
 - 3 Bolzen B mit dem Schlüssel lösen (die Bolzen aber nicht entfernen)
 - das Messer mit einem Stück Holz aus der Messerrolle herauschieben
 - das Messer in umgekehrter Position wieder in die Messerrolle einlegen oder ein neues Messer benutzen**! die Nut im Messer sollte zur Kante in der Messerrolle passen**
! beide Messerenden sollten gleichmäßig vorstehen
! achten Sie darauf, daß Messerende X mit der Sohlenkante ausgerichtet ist (legen Sie dazu wie dargestellt ein Lineal flach auf das Gehäuse, und verwenden Sie dieses als Anschlag)
 - 3 Bolzen B mit dem Schlüssel fest anziehen**! Messer rechtzeitig wechseln/wenden; ausschließlich scharfe Messer benutzen**
! beide Messer stets gleichzeitig wechseln/wenden
! versuchen Sie nicht, die Messer mit Messerrolleschrauben C, die im Werk voreingestellt werden, einzustellen
- Einstellen der Hobeltiefe (0-3 mm) ⑤
 - Knopf D zur Wahl der gewünschten Tiefe drehen
 - Anzeigestrich E als Bezug benutzen

- stets eine geringe Hobeltiefe wählen und den Hobel- und Einstellvorgang wiederholen, bis die gewünschte Tiefe erreicht ist
- Spanauslassstutzen ⑥
 - wählen Sie die gewünschte Spanauslassstutzenseite (links oder rechts) mit dem Schalter G
 - schließen Sie den Staubsauger mit dem Adapter H an den gewählten Spanauslassstutzen an wie abgebildet
 - es kann auch ein Staubsaug J an den ausgewählten Spanauslassstutzen wie abgebildet angeschlossen werden
- ! **versuchen Sie nicht, bei sich drehenden Messern Verstopfungen am Spanauslassstopfen zu beseitigen**
- Parkschuh K ⑦
 - schützt das Werkstück vor Beschädigung, wenn das Werkzeug beiseite gelegt wird
 - schwenkt beim Hobeln automatisch zurück
- Bedienung des Werkzeuges
 - die Hobeltiefe einstellen
 - das Werkzeug am Werkstück anlegen
- ! **achten Sie darauf, dass nur die Vordersohle auf dem Werkstück ruht und dass die Messer es nicht berühren**
- das Werkzeug einschalten, indem Sie zuerst Knopf L ② (= Sicherheitsschalter, der nicht verriegelt werden kann) drücken und dann Schalter M ② betätigen
- ! **bevor die Messer das Werkstück erreichen, sollte das Werkzeug mit voller Drehzahl laufen**
- das Werkzeug mit beiden Händen festhalten und es mit einem kontinuierlichen Hub vorwärts führen
- ! **Werkzeug beim Arbeiten immer am grauen Griffbereich fassen ⑧**
- das Werkzeug benutzen mit seiner Grundplatte auf dem Werkstück
- das Werkzeug nicht verkanten, um unerwünschte Hobelriefen zu vermeiden
- Lüftungsschlitze Q ② unbedeckt halten
- ! **vor dem Ausschalten des Werkzeuges sollte dieses vom Werkstück abgenommen werden**
- das Werkzeug durch Lösen von Schalter M abschalten
- Falzhobeln ⑨
 - gewünschte Hobeltiefe einstellen
 - Falztiefe mit Falztiefenanschlag N einstellen
 - das Werkzeug am Werkstück anlegen
 - nun können Sie hobeln
 - Maximal-Falzbreite 82 mm
 - Maximal-Falztiefe 15 mm
- Während des Falzhobelns erhalten Sie bessere Ergebnisse mit Seitenanschlag P zum Einstellen der Falzbreite ⑩

ANWENDUNGSHINWEISE

- Verwenden Sie für das Abschrägen von Kanten die in die Vordersohle eingelassenen V-Nuten ⑪
 - Knopf D auf "0"-Position stellen
 - verwenden Sie eine der 3 V-Nuten
- ! **immer zuerst an einem Probestück ausprobieren**

WARTUNG / SERVICE

- Halten Sie Werkzeug und Kabel immer sauber (insbesondere die Lüftungsschlitze Q ②)
- ! **Netzstecker vor dem Säubern ziehen**
- Sollte das Elektrowerkzeug trotz sorgfältiger Herstellungs- und Prüfvorgänge einmal ausfallen, ist die Reparatur von einer autorisierten Kundendienststelle für SKIL-Elektrowerkzeuge ausführen zu lassen
 - das Werkzeug **unzerlegt**, zusammen mit dem Kaufbeleg, an den Lieferer oder die nächste SKIL-Vertragswerkstätte senden (die Anschriften so wie die Ersatzteilzeichnung des Werkzeuges finden Sie unter www.skilmasters.com)

UMWELT

- **Elektrowerkzeuge, Zubehör und Verpackungen nicht in den Hausmüll werfen** (nur für EU-Länder)
 - gemäss Europäischer Richtlinie 2012/19/EG über Elektro- und Elektronik- Altgeräte und Umsetzung in nationales Recht müssen nicht mehr gebrauchsfähige Elektrowerkzeuge getrennt gesammelt und einer umweltgerechten Wiederverwertung zugeführt werden
 - hieran soll Sie Symbol ⑫ erinnern

KONFORMITÄTSERKLÄRUNG CE

- Wir erklären in alleiniger Verantwortung, daß das unter "Technische Daten" beschriebene Produkt mit den folgenden Normen oder normativen Dokumenten übereinstimmt: EN 60745, EN 61000, EN 55014, gemäß den Bestimmungen der Richtlinien 2004/108/EG, 2006/42/EG, 2011/65/EU
- **Technische Unterlagen bei:** SKIL Europe BV (PT-SEU/ENG1), 4825 BD Breda, NL

Marijn van der Hoofden Olaf Dijkgraaf
Operations & Engineering Approval Manager




SKIL Europe BV, 4825 BD Breda, NL

23.12.2013

GERÄUSCH/VIBRATION

- Gemessen gemäß EN 60745 beträgt der Schalldruckpegel dieses Gerätes 91 dB(A) und der Schalleistungspegel 102 dB(A) (Standardabweichung: 3 dB), und die Vibration 6,9 m/s² (Hand-Arm Methode; Unsicherheit K = 1,5 m/s²)
- Die Vibrationsemissionsstufe wurde mit einem standardisierten Test gemäß EN 60745 gemessen; Sie kann verwendet werden, um ein Werkzeug mit einem anderen zu vergleichen und als vorläufige Beurteilung der Vibrationsexposition bei Verwendung des Werkzeugs für die angegebenen Anwendungszwecke
 - die Verwendung des Werkzeugs für andere Anwendungen oder mit anderem oder schlecht gewartetem Zubehör kann die Expositionsstufe erheblich **erhöhen**

- Zetten, zu denen das Werkzeug ausgeschaltet ist, oder wenn es läuft aber eigentlich nicht eingesetzt wird, können die Expositionsstufe erheblich verringern
- ! **schützen Sie sich vor den Auswirkungen der Vibration durch Wartung des Werkzeugs und des Zubehörs, halten Sie Ihre Hände warm und organisieren Sie Ihren Arbeitsablauf**

NL

Schaaf

1570

INTRODUCTIE

- Deze machine is bestemd voor het schaven van hout-materialen zoals balken en planken, en is ook geschikt voor het afschuiven van randen en het schaven van spouwen
- Lees en bewaar deze gebruiksaanwijzing ③

TECHNISCHE GEGEVENEN ①

MACHINE-ELEMENTEN ②

- A Opbergplaats voor sleutel
- B Borgbout
- C Messenrol-schroeven
- D Knop voor instellen van schaaftdiepte
- E Schaaftdiepte-indicator
- F Spaanderuitgang (links/rechts)
- G Schakelaar spaanderuitgang
- H Stofzuigeraansluitstuk
- J Stofzak
- K Parkeerschoen
- L Veiligheidsschakelaar
- M Aan/uit schakelaar
- N Sponningsdieptegeleider
- P Breedtegeleider
- Q Ventilatie-openingen

VEILIGHEID

ALGEMENE VEILIGHEIDSVORSCHRIFTEN

⚠ LET OP! Lees alle veiligheidsaanschuivingen en alle voorschriften. Als de waarschuwingen en voorschriften niet worden opgevolgd, kan dit een elektrische schok, brand of ernstig letsel tot gevolg hebben. **Bewaar alle waarschuwingen en voorschriften voor toekomstig gebruik.** Het in de waarschuwingen gebruikte begrip "elektrisch gereedschap" heeft betrekking op elektrische gereedschappen voor gebruik op het stroomnet (met netsnoer) en op elektrische gereedschappen voor gebruik met een accu (zonder netsnoer).

1) VEILIGHEID VAN DE WERKOMGEVING

- a) **Houd uw werkomgeving schoon en opgeruimd.** Een rommelige of onverlichte werkomgeving kan tot ongevallen leiden.
- b) **Werk met het gereedschap niet in een omgeving met explosiegevaar waarin zich brandbare**

vloeistoffen, gassen of stof bevinden. Elektrische gereedschappen veroorzaken vonken die het stof of de dampen tot ontsteking kunnen brengen.

- c) **Houd kinderen en andere personen tijdens het gebruik van het elektrische gereedschap uit de buurt.** Wanneer u wordt afgeleid, kunt u de controle over het gereedschap verliezen.

2) ELEKTRISCHE VEILIGHEID

- a) **De aansluitstekker van het gereedschap moet in het stopcontact passen. De stekker mag in geen geval worden veranderd. Gebruik geen adapterstekkers in combinatie met geaarde gereedschappen.** Onveranderde stekkers en passende stopcontacten beperken het risico van een elektrische schok.
- b) **Voorkom aanraking van het lichaam met geaarde oppervlakken, bijvoorbeeld van buizen, verwarmingen, fornuizen en koelkasten.** Er bestaat een verhoogd risico door een elektrische schok wanneer uw lichaam geaard is.
- c) **Houd het gereedschap uit de buurt van regen en vocht.** Het binnendringen van water in het elektrische gereedschap vergroot het risico van een elektrische schok.
- d) **Gebruik de kabel niet voor een verkeerd doel, om het gereedschap te dragen of op te hangen of om de stekker uit het stopcontact te trekken. Houd de kabel uit de buurt van hitte, olie, scherpe randen en bewegende gereedschapsdelen.** Beschadigde of in de war geraakte kabels vergroten het risico van een elektrische schok.
- e) **Wanneer u buitenshuis met elektrisch gereedschap werkt, dient u alleen verlengkabels te gebruiken die voor gebruik buitenshuis zijn goedgekeurd.** Het gebruik van een voor gebruik buitenshuis geschikte verlengkabel beperkt het risico van een elektrische schok.
- f) **Als het gebruik van het elektrische gereedschap in een vochtige omgeving onvermijdelijk is, dient u een aardlekschakelaar te gebruiken.** Het gebruik van een aardlekschakelaar vermindert het risico van een elektrische schok.

3) VEILIGHEID VAN PERSONEN

- a) **Wees alert, let goed op wat u doet en ga met verstand te werk bij het gebruik van het elektrische gereedschap. Gebruik het gereedschap niet wanneer u moe bent of onder invloed staat van drugs, alcohol of medicijnen.** Een moment van onoplettendheid bij het gebruik van het gereedschap kan tot ernstige verwondingen leiden.
- b) **Draag persoonlijke beschermende uitrusting en altijd een veiligheidsbril.** Het dragen van persoonlijke beschermende uitrusting zoals een stofmasker, slipvast werkschoenen, een veiligheidshelm of gehoorbescherming, afhankelijk van de aard en het gebruik van het elektrische gereedschap, vermindert het risico van verwondingen.
- c) **Voorkom per ongeluk inschakelen. Controleer dat het elektrische gereedschap uitgeschakeld is voordat u de stekker in het stopcontact steekt of de accu aansluit en voordat u het gereedschap opkapt of draagt.** Wanneer u bij het dragen van het elektrische gereedschap uw vinger aan de schakelaar hebt of

- wanneer u het gereedschap ingeschakeld op de stroomvoorziening aansluit, kan dit tot ongevallen leiden.
- d) **Verwijder instelgereedschappen of schroefslutels voordat u het gereedschap inschakelt.** Een instelgereedschap of sleutel in een draaiend deel van het gereedschap kan tot verwondingen leiden.
 - e) **Probeer niet ver te reiken. Zorg ervoor dat u stevig staat en steeds in evenwicht blijft.** Daardoor kunt u het gereedschap in onverwachte situaties beter onder controle houden.
 - f) **Draag geschikte kleding. Draag geen loshangende kleding of sieraden. Houd haren, kleding en handschoenen uit de buurt van bewegende delen.** Loshangende kleding, sieraden en lange haren kunnen door bewegende delen worden meegenomen.
 - g) **Wanneer stofafzuigings- of stofopvangvoorzieningen kunnen worden gemonteerd, dient u zich ervan te verzekeren dat deze zijn aangesloten en juist worden gebruikt.** Het gebruik van een stofafzuiging beperkt het gevaar door stof.
- #### 4) GEBRUIK EN ONDERHOUD VAN ELEKTRISCHE GEREEDSCHAPPEN
- a) **Overbelast het gereedschap niet. Gebruik voor uw werkzaamheden het daarvoor bestemde elektrische gereedschap.** Met het passende elektrische gereedschap werkt u beter en veiliger binnen het aangegeven capaciteitsbereik.
 - b) **Gebruik geen elektrisch gereedschap waarvan de schakelaar defect is.** Elektrisch gereedschap dat niet meer kan worden in- of uitgeschakeld, is gevaarlijk en moet worden gerepareerd.
 - c) **Trek de stekker uit het stopcontact of neem de accu uit het elektrische gereedschap voordat u het gereedschap instelt, toebehoren wisselt of het gereedschap weglegt.** Deze voorzorgsmaatregel voorkomt onbedoeld starten van het gereedschap.
 - d) **Bewaars niet-gebruikte elektrische gereedschappen buiten bereik van kinderen. Laat het gereedschap niet gebruiken door personen die er niet mee vertrouwd zijn en deze aanwijzingen niet hebben gelezen.** Elektrische gereedschappen zijn gevaarlijk wanneer deze door onervaren personen worden gebruikt.
 - e) **Verzorg het gereedschap zorgvuldig. Controleer of bewegende delen van het gereedschap correct functioneren en niet vastklemmen en of onderdelen zodanig gebroken of beschadigd zijn dat de werking van het gereedschap nadelig wordt beïnvloed. Laat beschadigde delen repareren voordat u het gereedschap gebruikt.** Veel ongevallen hebben hun oorzaak in slecht onderhouden elektrische gereedschappen.
 - f) **Houd snijdende inzetgereedschappen scherp en schoon.** Zorgvuldig onderhouden snijdende inzetgereedschappen met scherpe snijkanten klemmen minder snel vast en zijn gemakkelijker te geleiden.
 - g) **Gebruik elektrische gereedschappen, toebehoren, inzetgereedschappen en dergelijke volgens deze aanwijzingen. Let daarbij op de arbeidsomstandigheden en de uit te voeren werkzaamheden.** Het gebruik van elektrische gereedschappen voor andere dan de voorziene toepassingen kan tot gevaarlijke situaties leiden.

5) SERVICE

- a) **Laat het gereedschap alleen repareren door gekwalificeerd en vakkundig personeel en alleen met originele vervangingsonderdelen.** Daarmee wordt gewaarborgd dat de veiligheid van het gereedschap in stand blijft.

VEILIGHEIDSVOORSCHRIFTEN VOOR SCHAVEN

ALGEMEEN

- Deze machine mag niet worden gebruikt door personen onder de 16 jaar
- Tijdens het werken kan het geluidsniveau 85 dB(A) overschrijden; draag oorbeschermers
- **Bewerk geen asbesthoudend materiaal** (asbest geldt als kankerverwekkend)
- Stof van materiaal zoals loodhoudende verf, sommige houtsoorten, mineralen en metaal kunnen schadelijk zijn (contact met of inademing van de stof kan allergische reacties en/of ademhalingsziekten bij gebruiker of omstanders veroorzaken); **draag een stofmasker en werk met een stofopvangvoorziening als die kan worden aangesloten**
- Bepaalde soorten stof zijn geclassificeerd als kankerverwekkend (zoals stof van eiken en beuken), met name in combinatie met toevoegingsmiddelen voor houtverzorging; **draag een stofmasker en werk met een stofopvangvoorziening als die kan worden aangesloten**
- Neem voor de door u te bewerken materialen de nationale voorschriften aangaande stofopvang in acht
- SKIL kan alleen een correcte werking van de machine garanderen, indien de juiste accessoires worden gebruikt, die verkrijgbaar zijn bij de vakhandel
- Gebruik de machine niet, wanneer het snoer beschadigd is; laat dit door een erkende vakman vervangen
- **Trek altijd de stekker uit het stopcontact voordat u een instelling verandert of een accessoire verwisselt**

VOÓR GEBRUIK

- Controleer altijd of het voltage, dat vermeld staat op het typeplaatje van de machine, overeenkomt met de netspanning (met 230V of 240V aangeduide machines kunnen ook op 220V aangesloten worden)
- Voorkom schade, die kan ontstaan door schroeven, spijkers en andere voorwerpen in uw werkstuk; verwijder deze, voordat u aan een karwei begint
- Controleer vóór gebruik van de machine of de messen nergens aanlopen
- Gebruik volledig uitgerolde en veilige verlengsnoeren met een capaciteit van 16 Ampère
- **Gebruik klemmen of pas een andere handige manier toe om het werkstuk vast te zetten en te ondersteunen op een stabiel platform** (bij het in de hand of tegen het lichaam houden van het werkstuk, kan de machine niet goed onder controle worden gehouden)

TIJDENS GEBRUIK

- **Houd het elektrische gereedschap vast aan de geïsoleerde greepvlakken, omdat de snijder in contact kan komen met het snoer** (het doorsnijden van een onder spanning staand snoer kan blootgestelde metalen delen van het elektrische gereedschap onder spanning zetten, waardoor de gebruiker een schok kan krijgen)

- Houd het snoer altijd verwijderd van de bewegende delen van uw machine; richt het snoer naar achteren, van de machine weg
- Houd uw vingers uit de buurt van de draaiende messen
- In geval van elektrische of mechanische storing, de machine onmiddellijk uitschakelen en de stekker uit het stopcontact trekken
- Raak het snoer niet aan, als dit tijdens de werkzaamheden wordt beschadigd of doorgesneden, maar trek onmiddellijk de stekker uit het stopcontact
- Bij het beklemd raken van een spaan in de spaanafvoer, dient u de machine uit te schakelen en te wachten tot alle bewegende delen tot stilstand zijn gekomen; trek vervolgens de stekker uit het stopcontact en verwijder de spaan

NA GEBRUIK

- **Wacht tot de messenrol stilstaat, voordat u de machine neer zet** (een draaiend mes kan in het oppervlak grijpen, wat mogelijk tot controle-verlies en ernstige verwondingen kan leiden)

GEBRUIK

- Verwisselen/omdraaien van messen ④
Deze schaaft is uitgerust met niet-slijpbare messen met aan beide zijden snijkanten; indien één zijde bot is geworden, kan de andere zijde dus gebruikt worden
! schakel de machine uit en trek de stekker uit het stopcontact
 - verwijder eventuele geleiders
 - neem zeskantsleutel uit opbergplaats A
 - draai machine ondersteboven
 - draai 3 bouten B los met sleutel (bouten niet verwijderen)
 - duw mes uit messenrol met stuk hout
 - zet mes omgekeerd terug in messenrol, of gebruik nieuw mes**! groef in mes moet passen over richel in messenrol**
! beide mes-uiteinden moeten even ver uitsteken
! zorg ervoor, dat mesuiteinde X op één lijn ligt met de rand van de voet (plaats een liniaal plat tegen het huis zoals afgebeeld en gebruik deze als aanslag)
 - draai 3 bouten C stevig vast met sleutel**! verwissel/draai de messen tijdig (om); gebruik alleen scherpe messen**
! verwissel/draai altijd beide messen tegelijkertijd (om)
! probeer niet om de messen te verstellen met messenrolschroeven C; deze zijn in de fabriek voor-ingesteld
- Instellen van schaaftdiepte (0-3 mm) ⑤
 - kies gewenste schaaftdiepte door knop D te draaien
 - gebruik indikatorlijn E als referentiepunt
 - kies altijd een kleine schaaftdiepte en herhaal het schaaft- en instelproces, totdat de gewenste diepte is bereikt
- Spaanderuitgang ⑥
 - selecteer gewenste spaanderuitgangszijde (links of rechts) met schakelaar G
 - sluit stofzuiger met adapter H aan op geselecteerde spaanderuitgang, zoals afgebeeld

- u kunt ook stofzak J aansluiten op de geselecteerde spaanderuitgang, zoals afgebeeld
- ! probeer nooit obstakels uit de spaanderuitgang te verwijderen terwijl de messen draaien**
- Parkeerschoen K ⑦
 - beschermt het werkstuk wanneer machine even weggezet wordt
 - klap automatisch naar achteren tijdens het schaven
- Werken met de machine
 - stel schaaftdiepte in
 - plaats machine op werkstuk**! zorg ervoor, dat alleen de voorschouwen op het werkstuk rust en dat de messen het werkstuk niet raken**
 - schakel de machine aan door eerst knop L ② (= veiligheidsschakelaar die niet vastgezet kan worden) en daarna trekker M ② in te drukken**! voordat de messen in aanraking komen met het werkstuk, moet de machine op volle toeren draaien**
 - houd de machine stevig met beide handen vast en geleid deze naar voren in een ononderbroken beweging**! houd de machine tijdens het werk altijd vast bij het(de) grijs-gekleurde greepvlak(ken) ⑧**
 - gebruik de machine met de voetplaat op het werkstuk
 - zet de machine niet schuin op het werkstuk ter voorkoming van ongewenste schaaftsporen
 - houd ventilatie-openingen Q ② onbedekt**! voordat u de machine uitschakelt, dient u deze van het werkstuk op te lichten**
 - schakel de machine uit door trekker M los te laten
- Schaven van sponningen ⑩
 - kies gewenste schaaftdiepte
 - stel sponningsdiepte in met behulp van sponningsdieptegeleider N
 - plaats machine op werkstuk
 - u kunt nu beginnen met schaven
 - maximale sponningsbreedte 82 mm
 - maximale sponningsdiepte 15 mm
- Bij het schaven van sponningen worden betere resultaten bereikt met behulp van breedtegeleider P voor het instellen van de sponningsbreedte ⑩

TOEPASSINGSADVIES

- Gebruik voor het afschuiven van randen de V-groeven in de voorvoet ⑪
 - zet knop D in de "0"-stand
 - kies één van de 3 V-groeven**! altijd eerst uitproberen op een stuk afvalmateriaal**

ONDERHOUD / SERVICE

- Houd machine en snoer altijd schoon (met name de ventilatie-openingen Q ②)
 - ! trek de stekker uit het stopcontact vóór het reinigen**
- Mocht het elektrische gereedschap ondanks zorgvuldige fabricage- en testmethoden toch defect raken, dient de reparatie te worden uitgevoerd door een erkende klantenservice voor SKIL elektrische gereedschappen

- stuur de machine **ongedemonteerd**, samen met het aankoopbewijs, naar het verkoopadres of het dichtstbijzijnde SKIL service-station (de adressen evenals de onderdeeltekening van de machine vindt u op www.skilmasters.com)

MILIEU

- **Geef electrisch gereedschap, accessoires en verpakkingen niet met het huisvuil mee** (alleen voor EU-landen)
 - volgens de Europese richtlijn 2012/19/EG inzake oude elektrische en elektronische apparaten en de toepassing daarvan binnen de nationale wetgeving, dient afgedankt electrisch gereedschap gescheiden te worden ingezameld en te worden afgevoerd naar een recycle-bedrijf, dat voldoet aan de geldende milieu-eisen
 - symbool ⑫ zal u in het afdankstadium hieraan herinneren

CONFORMITEITSVERKLARING CE

- Wij verklaren als alleen verantwoordelijke, dat het onder "Technische gegevens" beschreven product voldoet aan de volgende normen of normatieve documenten: EN 60745, EN 61000, EN 55014, overeenkomstig de bepalingen van de richtlijnen 2004/108/EG, 2006/42/EG, 2011/65/EU
- **Technisch dossier bij:** SKIL Europe BV (PT-SEU/ENG1), 4825 BD Breda, NL

Marijn van der Hoofden
Operations & Engineering

Olaf Dijkgraaf
Approval Manager

SKIL Europe BV, 4825 BD Breda, NL

23.12.2013

GELUID/VIBRATIE

- Gemeten volgens EN 60745 bedraagt het geluidsdrukniveau van deze machine 91 dB(A) en het geluidsvermogen-niveau 102 dB(A) (standaard deviatie: 3 dB), en de vibratie 6,9 m/s² (hand-arm methode; onzekerheid K = 1,5 m/s²)
 - Het trillingsemisniveau is gemeten in overeenstemming met een gestandaardiseerde test volgens EN 60745; deze mag worden gebruikt om twee machines met elkaar te vergelijken en als voorlopige beoordeling van de blootstelling aan trilling bij gebruik van de machine voor de vermelde toepassingen
 - gebruik van de machine voor andere toepassingen, of met andere of slecht onderhouden accessoires, kan het blootstellingsniveau aanzienlijk **verhogen**
 - wanneer de machine is uitgeschakeld of wanneer deze loopt maar geen werk verricht, kan dit het blootstellingsniveau aanzienlijk **reduceren**
- ! bescherm uzelf tegen de gevolgen van trilling door de machine en de accessoires te onderhouden, uw handen warm te houden en uw werkwijze te organiseren**

S

Hyvel

1570

INTRODUKTION

- Denna maskin är avsedd för hyvling av arbetsstycken i trä som balkar och brädor; den är även lämplig för fäsning av kanter och falsning
- Läs och spara denna instruktionsbok ③

TEKNISKA DATA ①

VERKTYGSELEMENT ②

- A Förvaring av nyckel
- B Fästbult
- C Skärblocketskruvar
- D Knapp för att ställa in hyveldjupet
- E Hyveldjupsindikator
- F Flisöppning (vänster/höger)
- G Väljare flisöppning
- H Dammsugaradapter
- J Damp pås
- K Stödklack
- L Säkerhetsbrytare
- M Till/från strömbrytare
- N Falsningsdjupmätt
- P Sidoanslag
- Q Ventilationsöppningar

SÄKERHET

ALLMÄNNA SÄKERHETSANVISNINGAR

⚠ OBS! Läs noga igenom alla anvisningar. Fel som uppstår till följd av att anvisningarna nedan inte följts kan orsaka elstöt, brand och/eller allvarliga kroppsskador.
Förvara alla varningar och anvisningar för framtida bruk. Nedan använt begrepp "elverktyg" hänför sig till nätdrivna elverktyg (med nätsladd) och till batteridrivna elverktyg (sladdlösa).

1) ARBETSPLATSSÄKERHET

- a) **Håll arbetsplatsen ren och välbelyst.** Oordning på arbetsplatsen eller dåligt belyst arbetsområde kan leda till olyckor.
- b) **Använd inte elverktyget i explosionsfarlig omgivning med brännbara vätskor, gaser eller damm.** Elverktygen alstrar gnistor som kan antända dammet eller gaserna.
- c) **Håll under arbetet med elverktyget barn och obehöriga personer på betryggande avstånd.** Om du störs av obehöriga personer kan du förlora kontrollen över elverktyget.

2) ELEKTRISK SÄKERHET

- a) **Elverktygets stickpropp måste passa till vägguttaget. Stickproppen får absolut inte förändras. Använd inte adapterkontakter tillsammans med skyddsjordade elverktyg.** Oförändrade stickproppar och passande vägguttag reducerar risken för elektriskt slag.

- b) **Undvik kroppskontakt med jordade ytor som t. ex. rör, värmeelement, spisar och kylskåp.** Det finns en större risk för elektriskt slag om din kropp är jordad.
- c) **Skydda elverktøget mot regn och vta.** Trnger vatten in i ett elverktøg kar risken fr elektriskt slag.
- d) **Missbruka inte ntsladden och anvnd den inte fr att bra eller hnga upp elverktøget och inte heller fr att dra stickproppen ur vgguttaget.** Hll ntsladden p avstnd frn vrme, olja, skarpa kanter och rrliga maskindelar. Skadade eller tilltrasslade ledningar kar risken fr elektriskt slag.
- e) **Nr du arbetar med ett elverktøg utomhus anvnd endast frlngningsladdar som r godknda fr utomhusbruk.** Om en lmplig frlngningsladd fr utomhusbruk anvnds minskar risken fr elektriskt slag.
- f) **Anvnd en jordfelsbrytare om det inte r mjligt att undvika elverktøgets anvndning i fuktig milj.** Genom att anvnda en jordfelsbrytare minskas risken fr elst.
- 3) PERSONSKERHET**
- a) **Var uppmrksam, kontrollera vad du gr och anvnd elverktøget med frnuft.** Anvnd inte elverktøget nr du r trtt eller om du r pverkad av droger, alkohol eller mediciner. Under anvndning av elverktøget kan ven en kort uppmrksamhet leda till allvarliga kroppsskador.
- b) **Br alltid personlig skyddsutrustning och skyddsglasgon.** Anvndning av personlig skyddsutrustning som t. ex. dammfiltermask, halkfria skerhetsskor, skyddshjlm och hrselskydd reducerar alltefter elverktøgets typ och anvndning risken fr kroppsskada.
- c) **Undvik oavsiktlig igngsttning. Kontrollera att elverktøget r frnkopplat innan du ansluter stickproppen till vgguttaget och/eller ansluter/tar bort batteriet, tar upp eller br elverktøget.** Om du br elverktøget med fingret p strmstllaren eller ansluter pkopplat elverktøg till ntstrmmen kan olycka uppst.
- d) **Ta bort alla instllningsverktøg och skruvnycklar innan du kopplar p elverktøget.** Ett verktøg eller en nyckel i en roterande komponent kan medfra kroppsskada.
- e) **verskatta inte din frmga. Se till att du str stadigt och hller balansen.** I detta fall kan du lttare kontrollera elverktøget i vntade situationer.
- f) **Br lmpliga klder. Br inte lst hngande klder eller smycken. Hll hret, klderna och handskarna p avstnd frn rrliga delar.** Lst hngande klder, smycken och lngt hr kan dras in av roterande delar.
- g) **Vid elverktøg med dammutsugnings- och -uppsamlingsutrustning kontrollera att anordningarna r rtt monterade och anvnds p korrekt stt.** Anvndning av dammutsugning minskar de risker damm orsakar.
- 4) OMSORGSFULL HANTERING OCH ANVNDNING AV ELVERKTØG**
- a) **verbelasta inte elverktøget. Anvnd fr aktuellt arbete avsett elverktøg.** Med ett lmpligt elverktøg kan du arbeta bttre och skrare inom angivet effektomrde.
- b) **Ett elverktøg med defekt strmstllare fr inte lngre anvndas.** Ett elverktøg som inte kan kopplas in eller ur r farligt och mste repareras.
- c) **Dra stickproppen ur vgguttaget och/eller ta bort batteriet innan instllningar utfrs, tillbehr delar byts ut eller elverktøget lagras.** Denna skyddstgrd frhindrar oavsiktlig inkoppling av elverktøget.
- d) **Frvara elverktøgen tkomliga fr barn. Lt elverktøget inte anvndas av personer som inte r frtrogna med dess anvndning eller inte lst denna anvisning.** Elverktøgen r farliga om de anvnds av oerfarna personer.
- e) **Skt elverktøget omsorgsfullt. Kontrollera att rrliga komponenter fungerar felfritt och inte krvar, att komponenter inte brustit eller skadats; orsaker som kan leda till att elverktøgets funktioner pverkas menligt. Lt skadade delar repareras innan elverktøget teranvnds.** Mnga olyckor orsakas av dligt sktta elverktøg.
- f) **Hll skrverktøgen skarpa och rena.** Omsorgsfullt sktta skrverktøg med skarpa eggar kommer inte s ltt i klm och gr lttare att styra.
- g) **Anvnd elverktøget, tillbehr, insatsverktøg osv. enligt dessa anvisningar. Ta hnsyn till arbetsvillkoren och arbetsmomenten.** Anvnds elverktøget p icke ndamlsenligt stt kan farliga situationer uppst.
- 5) SERVICE**
- a) **Lt elverktøget repareras endast av kvalificerad fackpersonal och med originalreservdelar.** Detta garanterar att elverktøgets skerhet upprthlls.

SKERHETSANVISNINGAR FR HYVLAR

ALLMNT

- Den hr maskinen ska inte anvndas av personer under 16 r
- Ljudnivn vid arbete kan verskrida 85 dB(A); anvnd hrselskydd
- **Asbesthaltigt material fr inte bearbetas** (asbest anses vara cancerframkallande)
- Viss typ av damm, exempelvis frg som innehller bly, vissa trsorter, mineraler och metaller kan vara hlsovdliga om de inhaleras (hudkontakt eller inhalering kan ge allergisk reaktion och/eller luftvgsproblem/ sjukdom hos personer i nrheten); **anvnd andningsskydd och arbeta med en dammuppsamlare om sdan anslutning finns**
- Vissa typer av damm r klassificerade s som carcinogena (t.ex. ek- och bjrkdamm) srskilt i kombination med tillsatser fr trbehandling; **anvnd andningsskydd och arbeta med en dammuppsamlare om sdan anslutning finns**
- Flj de nationella krav, som finns angende damm, fr de material du skall arbeta med
- SKIL kan endast garanteras att maskinen fungerar felfritt om rtt tillbehr anvnds som du kan kpa hos nrmaste SKIL-terfrsljare
- Anvnd ej maskinen om sladden r trasig; lt den bytas ut av en kvalificerad person
- **Dra alltid ur stickkontakten frn vggurtaget innan du gr ngon justering eller byter tillbehr**

FÖRE ANVÄNDNINGEN

- Kontrollera alltid att den tillförda strömtypen stämmer med spänningen som anges på maskinens märkplåt (maskiner med beteckningen 230V eller 240V kan även anslutas till 220V)
- Undvik skador genom att ta bort skruvar, spikar eller andra föremål ur arbetsstycket; ta dem bort innan du startar ett arbete
- Kontrollera innan du börjar använda verktyget att skären inte stryker emot någonstans
- Använd helt uttrulade och säkra förlängningsladdar med kapacitet på 16 A
- **Använd klämmor eller något annat praktiskt sätt att säkra och stötta arbetsstycket mot en stabil plattform** (om du håller arbetsstycket i handen eller mot kroppen blir det instabilt, vilket kan leda till att du tappar kontrollen)

UNDER ANVÄNDNINGEN

- **Håll elverktyget i det isolerade greppet eftersom saxen kan komma i kontakt med elsladden** (om en strömförande sladd skadas kan metalldelar i elverktyget också bli strömförande, vilket kan ge användaren en elektrisk stöt)
- Håll alltid sladden på säkert avstånd från rörliga maskindelar; för sladden bakåt bort från maskinen
- Håll fingrarna borta från de roterande skären
- I händelse av onormala elektriska eller mekaniska störningar, stäng genast av maskinen och dra ur stickkontakten
- Skadas eller kapas nätsladden under arbetet, rör inte vid sladden utan dra genast ut stickkontakten
- Om spån fastnar i spånutblåset, stäng av motorn, se till att alla rörliga delar har stannat helt, dra ur sladden och ta bort spån

EFTER ANVÄNDNINGEN

- **Vänta tills skärblocket har stannat innan du ställer ifrån dig verktyget** (ett oskyddat skär kan komma åt en yta, vilket kan få dig att förlora kontrollen eller bli allvarligt skadat)

ANVÄNDNING

- Byte/vändning av skären ④
Hyveln har skär som inte kan slipas och med egg på båda sidorna; om en sida blir slö kan den andra användas
! stäng av maskinen och dra ut sladden
 - tag bort eventuella monterade anslag
 - tag ut nyckeln ur förvaringen A
 - vänd maskinen upp och ned
 - lossa de 3 bultarna B med nyckeln (ta inte ut bultarna)
 - tryck ut skäret ur skärblocket med en träbit
 - sätt tillbaka skäret i skärblocket åt andra hållet, eller använd ett nytt skär**! skären i kniven ska passa mot åsen i skärblocket**
! båda skärändarna ska sticka ut lika långt
! kontrollera att skärände X passas in mot fotens kant (placera en linjal mot hölet som bilden visar och passa in mot den)
 - dra åt de 3 bultarna B här med nyckeln**! byt/vänd skären ofta; använd bara vassa skär**
! byt/vänd alltid båda skären samtidigt

! försök inte justera skären med skärblocketskruvarna C; de är förinställda från fabriken

- Hyveljupjustering (0-3 mm) ⑤
 - vrid knapp D till önskat djup
 - använd indikatorlinjen E som referens
 - välj alltid först ett grunt hyveljup och upprepa hyvlingen och justeringen tills önskat djup uppnåtts
- Flisöppning ⑥
 - välj sida för flisutsläpp (vänster eller höger) med väljaren G
 - anslut dammsugaren på adaptorn H för att välja en av öppningarna enligt illustrationen
 - alternativt kan en dammuppsamlingspåse J anslutas till den valda öppningen enligt illustrationen
- ! försök inte ta bort fastsittande träflisor i öppningen när de skären är igång**
- Stödklack K ⑦
 - skyddar arbetsstycken från skada när du ställer från dig verktyget
 - fälls automatiskt tillbaka vid hyvling
- Användning av maskinen
 - justera hyveljupet
 - lägg upp maskinen på arbetsstycket**! se till att främre sulan vilar på verkstycket och att skären inte vidrör det**
 - starta verktyget genom att först trycka in knappen L ② (= säkerhetsbrytare som inte kan låsas) och därefter avtryckaren M ②**! innan skären når arbetsstycket ska verktyget ha kommit upp i full hastighet**
 - håll stadigt i verktyget med båda händerna och för det framåt i en oavbruten rörelse**! under arbetet, håll alltid verktyget i det grå greppet ⑧**
 - använd verktyget med basplattan på arbetsstycket
 - vicka inte på verktyget; då kan det bli fula hyvelmärken
 - håll ventilationsöppningarna Q ② ej övertäckta**! maskinen skall tas bort från arbetsstycket innan den stängs av**
 - stäng av verktyget genom att släppa avtryckaren M
- Falsningshyvling ⑨
 - välj önskat hyveljup
 - välj falsningsdjup genom att använda falsningsdjupmättet N
 - lägg upp maskinen på arbetsstycket
 - börja hyvla
 - maximal falsningsbredd 82 mm
 - maximal falsningsdjup 15 mm
- För att uppnå bättre resultat vid hyvling av falsar använd anhållet P vid justering av falsningsbredden ⑩

ANVÄNDNINGSTIPS

- För att fasa kanter använd vinkelspären i frontsulan ⑪
 - ställ knappen D på "0"-position
 - välj ett av de 3 vinkelspären**! testa alltid först på ett överblivet material**

UNDERHÅLL / SERVICE

- Håll alltid din maskin och sladden ren (speciellt ventilationsöppningarna Q ②)
- ! drag ur stickkontakten innan rengöring**
- Om i elverktøget trots exakt tillverkning och sträng kontroll störning skulle uppstå, bör reparation utföras av auktoriserad serviceverkstad för SKIL elverktøy
 - sänd in verktyget i **odemonterat skick** tillsammans med inköpsbevis till försäljaren eller till närmaste SKIL serviceverkstad (adresser till servicestationer och sprängskisser av maskiner finns på www.skilmasters.com)

MILJÖ

- Elektriska verktyg, tillbehör och förpackning får inte kastas i hushållssoporna** (gäller endast EU-länder)
 - enligt direktivet 2012/19/EG som avser äldre elektrisk och elektronisk utrustning och dess tillämpning enligt nationell lagstiftning ska uttjänta elektriska verktyg sorteras separat och lämnas till miljövänlig återvinning
 - symbolen ⑫ kommer att påminna om detta när det är tid att kassera

FÖRSÄKRAN OM ÖVERENSSTÄMMELSE C €

- Vi försäkrar härmed under exklusivt ansvar att denna produkt som beskrivs i "Tekniska data" överensstämmer med följande normer eller normativa dokument: EN 60745, EN 61000, EN 55014, enligt bestämmelserna i direktiven 2004/108/EG, 2006/42/EG, 2011/65/EU
- Teknisk tillverkningsdokumentation finns hos:** SKIL Europe BV (PT-SEU/ENG1), 4825 BD Breda, NL

Marijn van der Hoofden
Operations & Engineering

Olaf Dijkgraaf
Approval Manager



SKIL Europe BV, 4825 BD Breda, NL

23.12.2013

LJUD/VIBRATION

- Ljudtrycksnivån som uppmätts enligt EN 60745 är på denna maskin 91 dB(A) och ljudeffektnivån 102 dB(A) (standard deviation: 3 dB), och vibration 6,9 m/s² (hand-arm metod; onoggrannhet K = 1,5 m/s²)
- Vibrationsemissionsvärdet har uppmätts enligt ett standardiserat test i enlighet med EN 60745; detta värde kan användas för att jämföra vibrationen hos olika verktyg och som en ungefärlig uppskattning av hur stor vibration användaren utsätts för när verktyget används enligt det avsedda syftet
 - om verktyget används på ett annat än det avsedda syftet eller med fel eller dåligt underhållna tillbehör kan detta drastiskt **öka** vibrationsnivån
 - när verktyget stängs av eller är på men inte används, kan detta avsevärt **minska** vibrationsnivån

! skydda dig mot vibration genom att underhålla verktyget och dess tillbehör, hålla händerna varma och styra upp ditt arbetssätt

DK

Hövl

1570

INLEDNING

- Dette værktøj er beregnet til at høvle i materialer af træ som bjælker og brædder; det er også egnet til at affasne kanter og høvle false
- Læs og gem denne betjeningsvejledning ③

TEKNISKE DATA ①

VÆRKTØJETS DELE ②

- A Opbevaring for nøgle
- B Fastgøribolt
- C Skæreblokkskruer
- D Knap til indstilling af høvldybde
- E Indikator for høvldybde
- F Støvpport (venstre/højre)
- G Kontakt for støvpport
- H Støvsugeradaptere
- J Støvpose
- K Frastillingsbeskyttelse
- L Sikkerhedsafbryder
- M Tænd/sluk afbryder
- N Falsdybdeanslag
- P Sidestyrt
- Q Ventilationshuller

SIKKERHED

GENERALE SIKKERHEDSINSTRUKSER

⚠ VIGTIGT! Læs alle advarselshenvisninger og instrukser. I tilfælde af manglende overholdelse af advarselshenvisningerne og instrukserne er der risiko for elektrisk stød, brand og/eller alvorlige kvæstelser. **Opbevar alle advarselshenvisninger og instrukser til senere brug.** Det i advarselshenvisningerne benyttede begreb "el værktøj" refererer til netdrevet el værktøj (med netkabel) og akkudrevet el værktøj (uden netkabel).

1) SIKKERHED PÅ ARBEJDSPLADSEN

- Sørg for, at arbejdsområdet er rent og ryddeligt.**
Uorden eller uoplyste arbejdsområder øger faren for uheld.
- Brug ikke maskinen i eksplosionstruede omgivelser, hvor der er brændbare væsker, gasser eller støv.**
El-værktøj kan slå gnister, der kan antænde støv eller dampe.
- Sørg for, at andre personer og ikke mindst børn holdes væk fra arbejdsområdet, når maskinen er i brug.** Hvis man distraheres, kan man miste kontrollen over maskinen.

2) ELEKTRISK SIKKERHED

- a) **Maskinens stik skal passe til kontakten. Stikket må under ingen omstændigheder ændres. Brug ikke adapterstik sammen med jordforbundne maskiner.** Uændrede stik, der passer til kontakterne, nedsætter risikoen for elektrisk stød.
- b) **Undgå kropskontakt med jordforbundne overflader som f.eks. rør, radiatorer, komfurer og køleskabe.** Hvis din krop er jordforbundet, øges risikoen for elektrisk stød.
- c) **Maskinen må ikke udsættes for regn eller fugt.** Indtrængning af vand i maskinen øger risikoen for elektrisk stød.
- d) **Brug ikke ledningen til formål, den ikke er beregnet til (f.eks. må man aldrig bære maskinen i ledningen, hænge maskinen op i ledningen eller rykke i ledningen for at trække stikket ud af kontakten). Beskyt ledningen mod varme, olie, skarpe kanter eller maskindele, der er i bevægelse.** Beskadigede eller indviklede ledninger øger risikoen for elektrisk stød.
- e) **Hvis maskinen benyttes i det fri, må der kun benyttes en forlængerledning, der er godkendt til udendørs brug.** Brug af forlængerledning til udendørs brug nedsætter risikoen for elektrisk stød.
- f) **Hvis det ikke kan undgås at bruge maskinen i fugtige omgivelser, skal der bruges et HFI-relæ.** Brug af et HFI-relæ reducerer risikoen for at få elektrisk stød.

3) PERSONLIG SIKKERHED

- a) **Det er vigtigt at være opmærksom, se, hvad man laver, og bruge maskinen fornuftigt. Man bør ikke bruge maskinen, hvis man er træt, har nydt alkohol eller er påvirket af medicin eller euforiserende stoffer.** Få sekunders uopmærksomhed ved brug af maskinen kan føre til alvorlige personskader.
- b) **Brug beskyttelsesudstyr og hav altid beskyttelsesbriller på.** Brug af sikkerhedsudstyr som f. eks. støvmaske, skridsikret fodtøj, beskyttelseshjelm eller høreværn afhængig af maskintype og anvendelse nedsætter risikoen for personskader.
- c) **Undgå utilsigtet igangsætning. Kontrollér, at el værktøjet er slukket, før du tilslutter det til strømtilførslen og/eller akkuen, løfter eller bærer det.** Undgå at bære el værktøjet med fingeren på afbryderen og sørg for, at el værktøjet ikke er tændt, når det slutes til nettet, da dette øger risikoen for personskader.
- d) **Fjern indstillingsværktøj eller skruenøgle, inden maskinen tændes.** Hvis et stykke værktøj eller en nøgle sidder i en roterende maskindele, der er risiko for personskader.
- e) **Overvurder ikke dig selv. Sørg for at stå sikkert, mens der arbejdes, og kom ikke ud af balance.** Det er derved nemmere at kontrollere maskinen, hvis der skulle opstå uventede situationer.
- f) **Brug egnet arbejdstøj. Undgå løse beklædningsgenstande eller smykker. Hold hår, tøj og handsker væk fra dele, der bevæger sig.** Dele, der er i bevægelse, kan gribe fat i løstsiddende tøj, smykker eller langt hår.
- g) **Hvis støvudsugnings- og opsamlingsudstyr kan monteres, er det vigtigt, at dette tilslutes og benyttes korrekt.** Brug af en støvopsugning nedsætter risikoen for personskader som følge af støv.

4) OMHYGGELIG OMGANG MED OG BRUG AF EL-VÆRKTØJ

- a) **Undgå overbelastning af maskinen. Brug altid en maskine, der er beregnet til det stykke arbejde, der skal udføres.** Med den rigtige maskine arbejder man bedst og mest sikkert inden for det angivne effektområde.
- b) **Brug ikke en maskine, hvis afbryder er defekt.** En maskine, der ikke kan startes og stoppes, er farlig og skal repareres.
- c) **Træk stikket ud af stikkontakten og/eller fjern akkuen, inden maskinen indstilles, der skiftes tilbehørsdele, eller maskinen lægges fra.** Disse sikkerhedsforanstaltninger forhindrer utilsigtet start af maskinen.
- d) **Opbevar ubenyttet el-værktøj uden for børns rækkevidde. Lad aldrig personer, der ikke er fortrolige med maskinen eller ikke har gennemlæst disse instrukser, benytte maskinen.** El-værktøj er farligt, hvis det benyttes af ukyndige personer.
- e) **Maskinen bør vedligeholdes omhyggeligt. Kontroller, om bevægelige dele fungerer korrekt og ikke sidder fast, og om delene er brækket eller beskadiget, således at maskinens funktion påvirkes. Få beskadigede dele repareret, inden maskinen tages i brug.** Mange uheld skyldes dårligt vedligeholdte maskiner.
- f) **Sørg for, at skæreværktøjer er skarpe og rene.** Omhyggeligt vedligeholdt skæreværktøjer med skarpe skærekanter sætter sig ikke så hurtigt fast og er nemmere at føre.
- g) **Brug el-værktøj, tilbehør, indsatsværktøj osv. iht. disse instrukser. Tag hensyn til arbejdsforholdene og det arbejde, der skal udføres.** I tilfælde af anvendelse af værktøjet til formål, som ligger uden for det fastsatte anvendelsesområde, kan der opstå farlige situationer.

5) SERVICE

- a) **Sørg for, at maskinen kun repareres af kvalificerede fagfolk, og at der kun benyttes originale reservedele.** Dermed sikres størst mulig maskinsikkerhed.

SIKKERHEDSINSTRUKSER FOR HØVLE

GENERELT

- Dette værktøj må ikke bruges af personer under 16 år
- Under arbejde med værktøjet kan lydniveauet overstige 85 dB(A); brug høreværn
- **Bearbejd ikke asbestholdigt materiale** (asbest er kræftfremkaldende)
- Støv fra materiale som f.eks. maling, der indeholder bly, nogle træsorter, mineraler og metal kan være skadeligt (kontakt med eller indånding af støvet kan forårsage allergiske reaktioner og/eller sygdomme i luftvejene hos den, der anvender værktøjet, eller hos omkringstående); **bær en støvmaske og arbejdet med en støvudsugningsanordning, hvor en sådan kan slutes til**
- Visse slags støv er klassificeret som kræftfremkaldende (som f.eks. støv fra eg og bøg) især i forbindelse med tilsætningsstoffer til træbehandling; **bær en støvmaske og arbejdet med en støvudsugningsanordning, hvor en sådan kan slutes til**

- Følg de nationale krav, hvad angår støv, for de materialer, du ønsker at arbejde med
- SKIL kan kun sikre en korrekt funktion af værktøjet, hvis der benyttes den rigtige tilbehør, som kan fås hos SKIL-forhandleren
- Brug ikke værktøjet, hvis kablet er beskadiget; få det skiftet ud af en anerkendt fagmand
- **Fjern altid først stikket fra kontakten, før De foretager nogle ændringer eller skifter tilbehør**

INDEN BRUG

- Kontrollér altid at forsyningsspændingen er den samme som den spænding, der er anført på værktøjets navneskilt (værktøj med betegnelsen 230V eller 240V kan også tilsluttes til 220V)
- Undgå skader forårsaget af skruer, søm eller andre materialer i arbejdsstykket; fjern disse før De begynder at arbejde
- Før værktøjet anvendes, skal man kontrollere, at knivene ikke går på nogen steder
- Anvend helt udrullede og sikre forlængerledninger med en kapacitet på 16 A
- **Brug klemmer eller en anden praktisk måde til at sikre og støtte arbejdsemnet til en stabil platform** (hvis du holder arbejdsemnet i hånden eller mod kroppen, kan du miste kontrol over værktøjet)

UNDER BRUG

- **Hold elværktøjet i de isolerede greb, fordi skæreren kan berøre sin egen ledning** (hvis der slibes i et "levende" kabel, kan det gøre udsatte metaldele på elværktøjet "levende" og kan give operatøren elektrisk stød)
- Hold altid ledningen væk fra værktøjets bevægelige dele; før altid ledningen bagud, væk fra værktøjet
- Hold fingrene væk fra de roterende knive
- I tilfælde af elektrisk eller mekanisk fejlfunktion skal afbryderen straks afbrydes og stikket tages ud af kontakten
- Hvis kablet beskadiges eller skræres over under arbejdet, ikke berør kablet, og straks træk ud stikket
- Hvis en spån skulle sætte sig fast i spånudgangen, skal du slukke for motoren og sikre, at alle bevægelige dele er stoppet helt, tage stikket ud og fjerne den blokerende spån

EFTER BRUG

- **Vent til skæreblokken standser, før værktøjet sættes ned** (en blotlagt kniv kan gå ned i overfladen og medføre evt. tab af herredømme og alvorlige kvæstelser)

BETJENING

- Udskiftning/vending af knivene ④
Denne høvl er udstyret med knive, som ikke kan slibes, men der har skærekanten på begge sider; så hvis den ene side bliver sløv, kan den anden side anvendes
! sluk værktøjet og træk stikket ud af stikkontakten
- fjern styreanordningerne, hvis monteret
- tag nøglen ud af opbevaring A
- vend værktøjet på hovedet
- løsn de 3 bolte B med nøglen (fjern ikke boltene)
- skub kniven ud af skæreblokken med et stykke træ
- sæt kniven tilbage i skæreblokken i omvendt position eller anvend en ny kniv

- ! rillen i kniven skal passe til fremspringet på skæreblokken
- ! **begge knivender skal stikke lige meget frem**
- ! **vær sikker på, at knivenden X ligger på linje med fodkanten** (sæt en linjal fladt imod værktøjets hus, som vist på tegningen, og brug den som stopper)
- stram de 3 bolte B godt med nøglen
- ! **udskift/vend knivene i god tid; brug kun skarpe knive**
- ! **udskift/vend altid begge knive samtidig**
- ! **forsøg ikke at justere knivene med skæreblokkskrue C, som er fabriksindstillede**
- Justering af høvldybde (0-3 mm) ⑤
- drej knap D for at vælge den ønskede dybde
- brug indikatorstregen E som reference
- vælg altid en ikke for dyb høvldybde og gentag høvle- og justeringsprocessen, indtil den ønskede dybde er opnået
- Støvport ⑥
- vælg den ønskede side for støvporten (venstre eller højre) med kontakten G
- forbind støvsugeren med adapteren H til den valgte støvport som vist på illustrationen
- man kan også forbinde støvposen J til den valgte støvport som vist på illustrationen
! **forsøg ikke at fjerne forhindringer fra støvporten, mens knivene roterer**
- Frastillingsbeskyttelse K ⑦
- beskytter arbejdsemnet mod beskadigelse, når værktøjet sættes ned
- foldes automatisk bagud under høvlingen
- Betjening af værktøjet
- justér høvldybden
- placér værktøjet på arbejdsemnet
! **sørg for at kun den front sål hviler på arbejdsemnet og at knivene ikke er i berøring med det**
- tænd for værktøjet ved først at trykke på knap L ② (= sikkerhedsafbryder, som ikke kan låses) og derefter på afbryder M ②
! **før knivene kommer i kontakt med arbejdsemnet, skal værktøjet køre med fuld hastighed**
- hold godt fast i værktøjet med begge hænder og før det fremad i en kontinuerlig bevægelse
! **under arbejde, hold altid om værktøjet på de grå markerede grebsområde(r) ⑧**
- anvend værktøjet med bundpladen på arbejdsemnet
- vip ikke værktøjet for at undgå uønskede høvlemærker
- hold ventilationshullerne Q ② utildækkede
! **før der slukkes for værktøjet, skal det løftes op fra arbejdsemnet**
- sluk værktøjet ved at slippe afbryder M
- Høvling af fals ⑨
- indstil den ønskede høvldybde
- juster falsdybden ved hjælp af falsdybdeanslag N
- placér værktøjet på arbejdsemnet
- begynd at høvle
- maximale falsbredde 82 mm
- maximale falsdybde 15 mm
- Ved høvling af fals opnår De et optimalt resultat ved hjælp af parallelanslag P til at justere falsbredden ⑩

GODE RÅD

- Ved affasning af kanter anvendes V-rillerne i frontsålen ①
 - stil knappen D på "0"-indstilling
 - vælg en af de 3 V-riller
- ! **test altid først på et stykke kasseret materiale**

VEDLIGEHODELSE/SERVICE

- Hold værktøjet og ledningen ren (især ventilationshullerne Q ②)
 - ! **træk stikket ud før rensning**
- Skulle el værktøjet trods omhyggelig fabrikation og kontrol holde op med at fungere, skal reparationen udføres af et autoriseret serviceværksted for SKIL-elektroværktøj
 - send den **uskilte** værktøjet sammen med et købsbevis til forhandleren eller nærmeste SKIL serviceværksted (adresser og reservedelstegning af værktøjet findes på www.skilmasters.com)

MILJØ

- **Elværktøj, tilbehør og emballage må ikke bortskaffes som almindeligt affald** (kun for EU-lande)
 - i henhold til det europæiske direktiv 2012/19/EF om bortskaffelse af elektriske og elektroniske produkter og gældende national lovgivning, skal brugt elværktøj indsamles separat og bortskaffes på en måde, der skåner miljøet mest muligt
 - symbolet ⑫ erindrer dig om dette, når udskiftning er nødvendig

OVERENSSTEMMELSESERKLÆRING CE

- Vi erklærer under almindeligt ansvar, at det produkt, der er beskrevet under "Tekniske data", er i overensstemmelse med følgende standarder eller normative dokumenter: EN 60745, EN 61000, EN 55014, i henhold til bestemmelserne i direktiverne 2004/108/EF, 2006/42/EF, 2011/65/EU
- **Teknisk dossier hos:** SKIL Europe BV (PT-SEU/ENG1), 4825 BD Breda, NL

Marijn van der Hoofden
Operations & Engineering

Olaf Dijkgraaf
Approval Manager

SKIL Europe BV, 4825 BD Breda, NL

23.12.2013

STØJ/VIBRATION

- Måles efter EN 60745 er lydtrykniveau af dette værktøj 91 dB(A) og lydeffektniveau 102 dB(A) (standard deviation: 3 dB), og vibrationsniveauet 6,9 m/s² (hånd-arm metoden; usikkerhed K = 1,5 m/s²)
- Det vibrationsniveau er målt i henhold til den standardiserede test som anført i EN 60745; den kan benyttes til at sammenligne to stykker værktøj og som en

foreløbig bedømmelse af udsættelsen for vibrationer, når værktøjet anvendes til de nævnte formål

- anvendes værktøjet til andre formål eller med andet eller dårligt vedligeholdt tilbehør, kan dette **øge** udsættelsesniveauet betydeligt
- de tidsrum, hvor værktøjet er slukket, eller hvor det kører uden reelt at udføre noget arbejde, kan **reducere** udsættelsesniveauet betydeligt

! **beskyt dig selv imod virkningerne af vibrationer ved at vedligeholde værktøjet og dets tilbehør, ved at holde dine hænder varme og ved at organisere dine arbejdsmønstre**

N

Høvel

1570

INTRODUKSJON

- Dette værktøjet er beregnet til å høvle materialer av tre, som bjelker og bord; den egner seg også til skråhøvling av kanter og til falsing
- Les og ta vare på denne brukerveiledningen ③

TEKNISKE DATA ①

VERKTØYELEMENTER ②

- A Oppbevaring for nøkkel
- B Festebolt
- C Kuttervalsenskruer
- D Justeringsknapp for høveldybde
- E Høveldybde-indikator
- F Sponutkast (venstre/høyre)
- G Sponutkastbryter
- H Støvsugeradapter
- J Støvpose
- K Parkeringsssko
- L Sikkerhetsbryter
- M Av/på bryter
- N Falsedybdejustering
- P Sidestiller
- Q Ventilasjonsåpninger

SIKKERHET

GENERELLE SIKKERHETSANVISNINGER

⚠ OBS! Les gjennom alle advarslene og anvisningene.

Feil ved overholdelsen av advarslene og nedenstående anvisninger kan medføre elektriske støt, brann og/eller alvorlige skader. **Ta godt vare på alle advarslene og informasjonene.** Det nedenstående anvendte uttrykket "elektroverktøy" gjelder for strømdrevne elektroverktøy (med ledning) og batteridrevne elektroverktøy (uten ledning).

1) SIKKERHET PÅ ARBEIDSPLASSEN

- a) **Hold arbeidsområdet rent og ryddig.** Rotete arbeidsområder eller arbeidsområder uten lys kan føre til ulykker.
- b) **Ikke arbeid med maskinen i eksplosjonsutsatte omgivelser – der det befinner seg brennbare**

- væsker, gass eller støv.** Elektroverktøy lager gnister som kan antenne støv eller damper.
- c) **Hold barn og andre personer unna når elektroverktøyet brukes.** Hvis du blir forstyrret under arbeidet, kan du miste kontrollen over maskinen.
- 2) ELEKTRISK SIKKERHET**
- a) **Støpselet til maskinen må passe inn i stikkkontakten. Støpselet må ikke forandres på noen som helst måte. Ikke bruk adapterstøpsler sammen med jordede maskiner.** Bruk av støpsler som ikke er forandret på og passende stikkontakter reduserer risikoen for elektriske støt.
- b) **Unngå kroppskontakt med jordede overflater slik som rør, ovner, komfyrer og kjøleskap.** Det er større fare ved elektriske støt hvis kroppen din er jordet.
- c) **Hold maskinen unna regn eller fuktighet.** Dersom det kommer vann i et elektroverktøy, øker risikoen for elektriske støt.
- d) **Ikke bruk ledningen til andre formål, f.eks. til å bære maskinen, henge den opp eller trekke den ut av stikkkontakten. Hold ledningen unna varme, olje, skarpe kanter eller maskindeler som beveger seg.** Med skadede eller opphopede ledninger øker risikoen for elektriske støt.
- e) **Når du arbeider utendørs med et elektroverktøy, må du kun bruke en skjøteledning som er godkjent til utendørs bruk.** Når du bruker en skjøteledning som er egnet for utendørs bruk, reduseres risikoen for elektriske støt.
- f) **Hvis det ikke kan unngås å bruke elektroverktøyet i fuktige omgivelser, må du bruke en jordfeilbryter.** Bruk av en jordfeilbryter reduserer risikoen for elektriske støt.
- 3) PERSONSIKKERHET**
- a) **Vær oppmerksom, pass på hva du gjør, gå fornuftig frem når du arbeider med et elektroverktøy. Ikke bruk maskinen når du er trett eller er påvirket av narkotika, alkohol eller medikamenter.** Et øyeblikks uoppmerksomhet ved bruk av maskinen kan føre til alvorlige skader.
- b) **Bruk personlig verneutstyr og husk alltid å bruke vernebriller.** Bruk av personlig sikkerhetsutstyr som støvmaske, sklifaste arbeidssko, hjelm eller hørselvern – avhengig av type og bruk av elektroverktøyet – reduserer risikoen for skader.
- c) **Unngå å starte verktøyet ved en feiltagelse. Forviss deg om at elektroverktøyet er slått av før du kobler det til strømmen og/eller batteriet, løfter det opp eller bærer det.** Hvis du holder fingeren på bryteren når du bærer elektroverktøyet eller kobler elektroverktøyet til strømmen i innkoblet tilstand, kan dette føre til uhell.
- d) **Fjern innstillingsverktøy eller skrunøkler før du slår på elektroverktøyet.** Et verktøy eller en nøkkel som befinner seg i en roterende maskindel, kan føre til skader.
- e) **Ikke overvurder deg selv. Sørg for å stå stødig og i balanse.** Dermad kan du kontrollere maskinen bedre i uventede situasjoner.
- f) **Bruk alltid egnede klær. Ikke bruk vide klær eller smykker. Hold hår, tøy og hansker unna deler som beveger seg.** Løstsittende tøy, smykker eller langt hår kan komme inn i deler som beveger seg.

- g) **Hvis det kan monteres støvavsug- og oppsamlingsinnretninger, må du forvise deg om at disse er tilkoblet og brukes på korrekt måte.** Bruk av et støvavsug reduserer faren på grunn av støv.

4) AKTOSV HÅNTERING OG BRUK AV ELEKTROVERKTØY

- a) **Ikke overbelast maskinen. Bruk et elektroverktøy som er beregnet til den type arbeid du vil utføre.** Med et passende elektroverktøy arbeider du bedre og sikrere i det angitte effektområdet.
- b) **Ikke bruk elektroverktøy med defekt på-/avbryter.** Et elektroverktøy som ikke lenger kan slås av eller på, er farlig og må repareres.
- c) **Trekk støpselet ut av stikkkontakten og/eller fjern batteriet før du utfører innstillinger på elektroverktøyet, skifter tilbehørsdeler eller legger maskinen bort.** Disse tiltakene forhindrer en utilsiktet startung av maskinen.
- d) **Elektroverktøy som ikke er i bruk må oppbevares utilgjengelig for barn. Ikke la maskinen brukes av personer som ikke er fortrolig med dette eller ikke har lest disse anvisningene.** Elektroverktøy er farlige når de brukes av uerfarne personer.
- e) **Vær nøye med vedlikeholdet av maskinen. Kontroller om bevegelige maskindeler fungerer feilfritt og ikke klemmes fast, og om deler er brukket eller skadet, slik at dette innvirker på maskinens funksjon. La skadede deler repareres før maskinen brukes.** Dårlig vedlikeholdte elektroverktøy er årsaken til mange uhell.
- f) **Hold skjæreverktøyene skarpe og rene.** Godt stelte skjæreverktøy med skarpe skjær setter seg ikke så ofte fast og er lettere å føre.
- g) **Bruk elektroverktøy, tilbehør, verktøy osv. i henhold til disse anvisningene. Ta hensyn til arbeidsforholdene og arbeidet som skal utføres.** Bruk av elektroverktøy til andre formål enn det som er angitt kan føre til farlige situasjoner.
- 5) SERVICE**
- a) **Maskinen din skal alltid kun repareres av kvalifisert fagpersonale og kun med originale reservedeler.** Slik opprettholdes maskinens sikkerhet.

SIKKERHETSINSTRUKSJONER FOR HØVLER

GENERELL

- Verktøyet må ikke brukes av personer under 16 år
- Støynivået under arbeid kan overskride 85 dB(A); bruk hørselvern
- **Ikke bearbeid asbestholdig material** (asbest kan fremkalle kreft)
- Støv fra materialer som blyholdig maling, visse tresorter, mineraler og metall kan være skadelig (kontakt med eller inhalering av støv kan gi allergiske reaksjoner og/eller sykdommer i åndedretsorganene for brukeren eller personer i nærheten); **bruk støvmaske og arbeid med støvfjerningsutstyr når det er mulig**
- Visse typer støv er klassifisert som kreftfremkallende (som f.eks. støv fra eik og bøk), spesielt sammen med tilsetningsstoffer for trebehandling; **bruk støvmaske og arbeid med støvfjerningsutstyr når det er mulig**
- Følg de nasjonale krav, når det gjelder støv for de materialer du ønsker å arbeide med

- SKIL kan kun garantere et feilfritt verktøy dersom riktig tilbehør brukes, som leveres fra SKIL-forhandleren på stedet
- Bruk ikke verktøyet dersom kabel er skadet; få den skiftet ud af en anerkendt fagmand
- **Ta alltid ut kontakten før du forandrer innstillinger på sagen eller skifter tilbehør**

FØR BRUK

- Sjekk alltid at tilført spenningen er den samme som oppgitt på verktøyet merkeplate (verktøy som er betegnet med 230V eller 240V kan også koples til et 220V strømuttak)
- Ungå skade p.g.a. skruer, spiker eller andre elementer i arbeidsstykket; fjernes før man starter jobben
- Før verktøyet tas i bruk, sjekk at knivene ikke børster borti noe
- Bruk helt utrullet og sikker skjoteledning med en kapasitet på 16 A
- **Bruk klemmer eller andre praktiske måter å sikre og støtte arbeidsstykket til et stødig underlag** (å holde arbeidsstykket i hånden eller mot kroppen gjør det ustødig og kan føre til tap av kontroll)

UNDER BRUK

- **Ta kun tak i elektroverktøyet på de isolerte gripeflatene, fordi kutteverktøy kan komme i berøring med ledningen** (hvis en strømførende ledning kuttes, kan metalldele på elektroverktøyet bli strømførende og brukeren kan få elektrisk støt)
- Hold alltid kablen borte fra bevegelige deler på verktøyet; før kablen bakover bort fra verktøyet
- Hold fingrene dine borte fra roterende kniver
- I tilfelle en elektrisk eller mekanisk svikt, skal verktøyet med en gang slås av og støpslet trekkes ut
- Hvis kablen skades eller kappes under arbeid må kablen ikke berøres, men støpselet straks trekkes ut
- Hvis en spon skulle sette seg fast i sponutkastet, skal du slå av motoren, forsikre deg om at alle bevegelige deler står stille, dra ut støpslet og fjern sponet Ta hensyn til de krefter som da oppstår ved blokkering (spesielt ved boring i metaller); hold alltid verktøyet fast med begge hender og pass på å stå stødig

ETTER BRUK

- **Vent til kuttervalsen har stoppet før verktøyet settes ned** (en eksponert kniv som kommer i kontakt med en overflate kan gjøre at du mister kontrollen på høvelen; dette kan føre til alvorlig skade)

BRUK

- Skifte/snu kniver ④
Høvelen er utstyrt med slipefrie kniver med vendbare skjærekanter; når den ene siden blir sløv, kan den andre siden brukes
! slå av verktøyet og trekk støpslet ut av kontakten
- fjern eventuelle styreanordninger, hvis montert
- bruk skrunøkkel som er oppbevart i oppbevaring A
- vend verktøyet opp ned
- løsne på de tre boltene B ved å bruke skrunøkkelen (ikke ta boltene ut)
- skyv kniven ut av kuttervalsen med et trestykke
- snu kniven og monter den på nytt i kuttervalsen, eller monter en ny kniv
- ! sporet i kniven skal passe i fremspringet på kuttervalsen**

- ! begge endene på kniven skal stikke ut like mye på begge sider**
- ! forsikre deg om at ende på kniven X står på linje med kanten av foten (sett en linjal inntil dekslet som vist på tegningen og bruk det som en stopper)**

- skru de tre boltene B godt til med skrunøkkelen
- ! skift/snu knivene i tide; bruk kun skarpe kniver**
- ! begge knivene skal skiftes/snu samtidig**
- ! det må ikke gjøres forsøk på å justere knivene med kuttervalsenskruerne C; disse er forhåndsjustert fra fabrikken**
- Justering av høveldybde (0-3 mm) ⑤
 - vri knapp D for å velge ønsket dybde
 - bruk indikatorlinje E som referanse
 - bruk alltid lav høveldybde og gjenta høvling og justering av høveldybden til ønsket dybde er oppnådd
- Sponutkast ⑥
 - velg ønsket sponutkastside (venstre eller høyre) med bryteren G
 - koble til støvsuger med adapter H til valgt sponutkast som vist
 - det kan også kobles til støvpose J til valgt sponutkast som vist
- ! ikke forsøk å fjerne noe som blokkerer sponutkastet mens knivene roterer**
- Parkeringsско K ⑦
 - beskytter arbeidsstykket når verktøyet settes til sides
 - bøyer seg automatisk bakover under høvling
- Bruk av verktøyet
 - juster høveldybde
 - sett verktøyet på arbeidsstykket
 - ! vær sikker på at kun fremre delen på sålen hviler på arbeidsstykket og at knivene ikke kommer i kontakt med det**
 - slå på verktøyet ved først å trykke inn knapp L ② (= sikkerhetsbryter som ikke kan låses) og deretter trykk inn bryter M ②
 - ! før knivene kommer i kontakt med arbeidsstykket, skal verktøyet arbeide på full hastighet**
 - hold godt tak i verktøyet med begge hender og skyv det fremover i en kontinuerlig bevegelse
 - ! under arbeid, hold verktøyet alltid i grått(gråe) grepsområde(r) ⑧**
 - bruk høvelen slik at verktøysålen hviler på arbeidsstykket
 - verktøyet må ikke holdes på skrå for å unngå uønskede høvelmerker
 - hold ventilasjonsåpningen Q ② utildekket
 - ! før verktøyet slås av, løft det bort fra arbeidsstykket**
 - slå av verktøyet ved å frigjøre bryter M
- Høvling av false ⑨
 - velg ønskede høveldybde
 - velg falsedybde ved å bruke falsedybdejusteringen N
 - sett verktøyet på arbeidsstykket
 - start høvlingen
 - maksimal falsebredde 82 mm
 - maksimal falsedybde 15 mm
- Ved høvling av falsen oppnår du bedre resultater ved å bruke sidestiller P ved justering av falsebredden ⑩

BRUKER TIPS

- Bruk V-falsene i fremre delen på sålen for å skråhøve av kanter ^①
 - sett knappen D i "0"-posisjon
 - velg én av de 3 V-falsene
- ! **prøv alltid først på et stykke restmateriale**

VEDLIKEHOLD / SERVICE

- Hold alltid verktøyet og kabelen ren (spesielt ventilasjonshullene Q ^②)
 - ! **dra ut støpselet før rengjøring**
- Hvis elektroverktøyet til tross for omhyggelige produksjons- og kontrollmetoder en gang skulle svikte, må reparasjonen utføres av et autorisert serviceverksted for SKIL-elektroverktøy
 - send verktøyet i **montert** tilstand sammen med kjøpebevis til forhandleren eller nærmeste SKIL servicesenter (adresser liksom service diagram av verktøyet finner du på www.skilmasters.com)

MILJØ

- **Kast aldri elektroverktøy, tilbehør og emballasje i husholdningsavfallet** (kun for EU-land)
 - i henhold til EU-direktiv 2012/19/EF om kasserte elektriske og elektroniske produkter og direktivets iverksetting i nasjonal rett, må elektroverktøy som ikke lenger skal brukes, samles separat og returneres til et miljøvennlig gjenvinningsanlegg
 - symbolet ^⑫ er påtrykt som en påminnelse når utskiftning er nødvendig

SAMSVARERKLÆRING CE

- Vi erklærer som eneansvarlig at produktet som beskrives under "Tekniske data" stemmer overens med følgende normer eller normative dokumenter: EN 60745, EN 61000, EN 55014, jf. bestemmelsene i direktivene 2004/108/EF, 2006/42/EF, 2011/65/EU
- **Tekniske underlag hos:** SKIL Europe BV (PT-SEU/ENG1), 4825 BD Breda, NL

Marijn van der Hoofden
Operations & Engineering

Olaf Dijkgraaf
Approval Manager

SKIL Europe BV, 4825 BD Breda, NL

23.12.2013

STØY/VIBRASJON

- Målt ifølge EN 60745 er lydtrykknivået av dette verktøyet 91 dB(A) og lydstrykenivået 102 dB(A) (standard deviasjon: 3 dB), og vibrasjonsnivået 6,9 m/s² (hånd-arm metode; usikkerhet K = 1,5 m/s²)
- Det avgitte vibrasjonsnivået er blitt målt i samsvar med en standardisert test som er angitt i EN 60745; den kan brukes til å sammenligne et verktøy med et annet, og som et foreløpig overslag over eksponering for vibrasjoner ved bruk av verktøyet til de oppgavene som er nevnt

- bruk av verktøyet til andre oppgaver, eller med annet eller mangelfullt vedlikeholdt utstyr, kan gi en vesentlig **økning** av eksponeringsnivået
- tidsrommene når verktøyet er avslått eller når det går men ikke arbeider, kan gi en vesentlig **reduksjon** av eksponeringsnivået
- ! **beskytt deg selv mot virkningene av vibrasjoner ved å vedlikeholde verktøyet og utstyret, holde hendene varme og organisere arbeidsmåten din**

FIN

Höylä

1570

ESITTELY

- Koneet on tarkoitettu puutavaran, kuten palkkien ja lautojen höyläykseen; se soveltuu myös reunojen viistotukseen ja huultamiseen
- Lue ja säilytä tämä ohjekirja ^③

TEKNISET TIEDOT ^①

LAITTEEN OSAT ^②

- A Säilytyspaikka avainta varten
- B Kiinnityspultti
- C Teräpäänruuvit
- D Nuppi höyläyssyvyyden asettamiseksi
- E Höyläyssyvyyden osoitin
- F Lastunpoisto (vasen/oikea)
- G Lastunpoiston valitsin
- H Pölynimurin sovitin
- J Pölypussi
- K Seisontatuki
- L Turvakytin
- M Virtakytin
- N Huultosyvyyden rajoitin
- P Sivuohtojain
- Q Ilmanvaihto-aukot

TURVALLISUUS

YLEISET TURVALLISUUSOHJEET

⚠️ HUOMIO! Lue kaikki turvallisuus- ja muut ohjeet. Turvallisuusohjeiden noudattamisen laiminlyönti saattaa johtaa sähköiskuun, tulipaloon ja/tai vakavaan loukkaantumiseen. **Säilytä kaikki turvallisuus- ja muut ohjeet tulevaisuutta varten.** Turvallisuusohjeissa käytetty käsite "sähkötyökalu" käsittää verkkokäyttöisiä sähkötyökaluja (verkkajohdolla) ja akkukäyttöisiä sähkötyökaluja (ilman verkkojohtoa).

1) TYÖPAIKAN TURVALLISUUS

- a) **Pidä työskentelyalue puhtaana ja hyvin valaistuna.** Työpaikan epäjärjestys tai valaisemattomat työalueet voivat johtaa tapaturmiin.
- b) **Älä työskentele sähkötyökalulla räjähdyssäilyssä ympäristössä, jossa on palavaa nestettä, kaasua tai pölyä.** Sähkötyökalu muodostaa kipinöitä, jotka saattavat sytyttää pölyn tai höyryt.

- c) **Pidä lapset ja sivulliset loitolla sähkötyökalua käyttäessäsi.** Voit menettää laitteesi hallinnan, huomiosi suuntautuessa muualle.

2) SÄHKÖTURVALLISUUS

- a) **Sähkötyökalun pistotulpan tulee sopia pistorasiaan. Pistotulppaa ei saa muuttaa millään tavalla. Älä käytä mitään pistorasia-adaptoreita maadoitettujen sähkötyökalujen kanssa.** Alkuperäisessä kunnossa olevat pistotulpat ja sopivat pistorasiat vähentävät sähköiskun vaaraa.
- b) **Vältä koskettamasta maadoitettuja pintoja, kuten putkia, pattereita, liesiä tai jääkaappeja.** Sähköiskun vaara kasvaa, jos kehosi on maadoitettu.
- c) **Älä aseta sähkötyökalua alttiiksi sateelle tai kosteudelle.** Veden tunkeutuminen sähkötyökalun sisään kasvattaa sähköiskun riskiä.
- d) **Älä käytä verkkojohtoa väärin. Älä käytä sitä sähkötyökalun kantamiseen, vetämiseen tai pistotulpan irrottamiseen pistorasiasta. Pidä johto loitolla kuumuudesta, öljystä, terävistä reunoista ja liikkuvista osista.** Vahingoittuneet tai sokeutuneet johdot kasvattavat sähköiskun vaaraa.
- e) **Käyttäessäsi sähkötyökalua ulkona, käytä ainoastaan ulkokäyttöön soveltuvaa jatkojohtoa.** Ulkokäyttöön soveltuvan jatkojohdon käyttö pienentää sähköiskun vaaraa.
- f) **Jos sähkötyökalun käyttö kosteassa ympäristössä ei ole vältettävissä, tulee käyttää maavuotokatkaisijaa.** Maavuotokatkaisijan käyttö vähentää sähköiskun vaaraa.

3) HENKILÖTURVALLISUUS

- a) **Ole valpas, kiinnitä huomiota työskentelyysi ja noudata tervettä järkeä sähkötyökalua käyttäessäsi. Älä käytä sähkötyökalua, jos olet väsynyt tai huumeiden, alkoholin tahi lääkkeiden vaikutuksen alaisena.** Hetken tarkkaamattomuus sähkötyökalua käytettäessä, saattaa johtaa vakavaan loukkaantumiseen.
- b) **Käytä suojavarusteita. Käytä aina suojalaseja.** Henkilökohtaisen suojavarustuksen käyttö, kuten pölynaamarin, luistamattomien turvakengien, suojakypärän tai kuulonsuojaimien, riippuen sähkötyökalun lajista ja käyttötavasta, vähentää loukaantumisen riskiä.
- c) **Vältä tahatonta käynnistämistä. Varmista, että sähkötyökalu on poiskytkettynä, ennen kuin liität sen sähköverkkoon ja/tai liität akun, otat sen käteen tai kannat sitä.** Jos kannat sähkötyökalua sormi käynnistyskytkimellä tai kytket sähkötyökalun pistotulpan pistorasiaan, käynnistyskytkimen ollessa käyntiasennossa, altistat itsesi onnettomuuksille.
- d) **Poista kaikki säätötyökalut ja ruuvitalat, ennen kuin käynnistät sähkötyökalun.** Työkalu tai avain, joka sijaitsee laitteen pyöriässä osassa, saattaa johtaa loukkaantumiseen.
- e) **Älä yliarvioid itseäsi. Huolehdi aina tukevasta seisoma-asennosta ja tasapainosta.** Täten voit paremmin hallita sähkötyökalua odottamattomissa tilanteissa.
- f) **Käytä tarkoitukseen soveltuva vaatteita. Älä käytä löysiä työvaatteita tai koruja. Pidä hiukset, vaatteet**

ja käsi neet loitolla liikkuvista osista. Väljät vaatteet, korut ja pitkät hiukset voivat takertua liikkuviin osiin.

- g) **Jos pölynimu- ja keräilylaitteita voidaan asentaa, tulee silyn tarkistaa, että ne on liitetty ja että ne käytetään oikealla tavalla.** Pölynimulaitteiston käyttö vähentää pölyn aiheuttamia vaaroja.

4) SÄHKÖTYÖKALUJEN KÄYTTÖ JA HOITO

- a) **Älä ylikuormita laitetta. Käytä kyseiseen työhön tarkoitettua sähkötyökalua.** Sopivaa sähkötyökalua käyttäen työskentelet paremmin ja varmemmin tehoalueella, jolle sähkötyökalu on tarkoitettu.
- b) **Älä käytä sähkötyökalua, jota ei voida käynnistää ja pysäyttää käynnistyskytkimestä.** Sähkötyökalu, jota ei enää voida käynnistää ja pysäyttää käynnistyskytkimellä, on vaarallinen ja se täytyy korjata.
- c) **Irrota pistotulppa pistorasiasta, ennen kuin suoritat säätöjä, vaihdat tarvikkeita tai siirrä sähkötyökalun varastoitavaksi.** Nämä turvatoimenpiteet pienentävät sähkötyökalun tahattoman käynnistysriskin.
- d) **Säilytä sähkötyökalut poissa lasten ulottuvilta, kun niitä ei käytetä. Älä anna sellaisten henkilöiden käyttää sähkötyökalua, jotka eivät tunne sitä tai jotka eivät ole lukeneet tätä käyttöohjetta.** Sähkötyökalut ovat vaarallisia, jos niitä käyttävät kokemattomat henkilöt.
- e) **Hoida sähkötyökalusi huolella. Tarkista, että liikkuvat osat toimivat moitteettomasti, eivätkä ole puristuksessa sekä, että siinä ei ole murtuneita tai vahingoittuneita osia, jotka saattaisivat vaikuttaa haitallisesti sähkötyökalun toimintaan. Anna korjauttaa mahdolliset viat ennen käyttöönottoa.** Monen tapaturman syyt löytyvät huonosti huolletuista laitteista.
- f) **Pidä leikkausterät terävinä ja puhtaina.** Huolellisesti hoidetut leikkaustyökalut, joiden leikkausreunat ovat teräviä, eivät tartu helposti kiinni ja niitä on helpompi hallita.
- g) **Käytä sähkötyökaluja, tarvikkeita, vaihtotyökaluja jne. näiden ohjeiden mukaisesti. Ota tällöin huomioon työolosuhteet ja suoritettava toimenpide.** Sähkötyökalun käyttö muuhun kuin sille määrättyyn käyttöön, saattaa johtaa vaarallisiin tilanteisiin.

5) HUOLTO

- a) **Anna koulutettujen ammattihenkilöiden korjata sähkötyökalusi ja hyväksy korjauksiin vain alkuperäisiä varaosia.** Täten varmistat, että sähkötyökalu säilyy turvallisena.

TURVALLISUUSOHJEITA HÖYLIÄ VARTEN

YLEISTÄ

- Tätä työkalua saavat käyttää vain 16 vuotta täyttäneet henkilöt
- Työkenneltäessä melutaso saattaa ylittää 85 dB(A); jolloin suositellaan kuulonsuojaimien käyttöä
- **Älä koskaan työstä asbestipitoista ainetta** (asbestia pidetään karsinogeenisena)
- Materiaaleista, kuten lyijypitoinen maali, jotkut puulajit, mineraalit ja metalli, tuleva pöly voi olla vahingollista (kosketuksiin joutuminen pölyn kanssa tai sen sisään hengittäminen voi aiheuttaa käyttäjälle tai sivustakatsojille allergiareaktioita ja/tai hengitysvaivoja); **käytä**

pölynaamaria ja työskentele pölynpoistolaitteen kanssa, kun sellainen on liitettävissä

- Tietänyttyypiset pölyt on luokiteltu karsinogeenisiksi (kuten tammi- ja pyökkipöly) erityisesti puun käsittelyyn käytettävien lisäaineiden yhteydessä; **käytä pölynaamaria ja työskentele pölynpoistolaitteen kanssa, kun sellainen on liitettävissä**
- Noudata maakohtaisia pölyyn liittyviä sääntöjä
- SKIL pystyy takaamaan työkalun moitteettoman toiminnan vain, kun käytetään oikeita tarvikkeita, jotka ovat saatavana SKIL-myyntiliikkeestä
- Älä käytä työkalua, kun johto on vioittunut; vaan toimita se valtuutettuun huoltooliikkeeseen
- **Irrota aina pistotulppa pistorasiasta, ennen kuin suoritat laitteelle mitään säätöjä tai vaihdat tarviketta**

ENNEN KÄYTTÖÄ

- Tarkista aina, että syöttöjännite on sama kuin työkalun nimiltaan osoittama jännite (työkalut, joiden jännitetaso on 230V tai 240V, voidaan kytkeä myös 220V tason jännitteeseen)
- Vältä vaaralliset vahingot, jotka voivat aiheutua nauloista, ruuveista tai muista aineista työstettävässä materiaalissa; poista ne ennen työskentelyä aloittamista
- Ennen työkalun käyttämistä tarkista, että terät eivät ole kosketuksessa minkään kanssa
- Käytä täysin rullaamattomia ja turvallisia jatkejohtoja, joiden kapasiteetti on 16 ampeeria
- **Tue työstettävä kappale tukevaan tasoon puristimilla tai muulla käytännöllisellä tavalla** (kappaleen pitäminen käsin tai kehoa vasten on epävakaata ja voi aiheuttaa hallinnan menetyksen)

KÄYTÖN AIKANA

- **Pidä kiinni laitteen eristetyistä tartuntapinnoista, koska terä voi koskea laitteen johtoon** (jos jännitteinen johto vaurioituu, laitteen paljaisiin metalliosiin voi tulla jännite ja laitteen käyttäjä voi saada sähköiskun)
- Pidä johto aina poissa työkalun liikkuvien osien läheisyydestä; kohdista johto takaosaa kohti pois työkalusta
- Pidä sormet poissa pyörivistä teristä
- Jos huomaat sähköisen tai mekaanisen vian, sammuta kone heti ja irrota liitosjohto pistorasiasta
- Jos sähköjohto vahingoittuu tai katkeaa työn aikana ei johtoa saa koskettaa, vaan pistotulppa on välittömästi irrotettava pistorasiasta
- Jos lastu jää kiinni lastunpoistoaukkoon, katkaise koneesta virta, varmista, että kaikki liikkuvat osat ovat pysähtyneet, irrota verkkojohto pistorasiasta ja poista juuttunut lastu

KÄYTÖN JÄLKEEN

- **Odota, kunnes teräpää pysähtyy ennen työkalun asettamista alas** (paljastettu terä voi tarttua pintaan, mikä voi aiheuttaa mahdollisen kontrollin menetyksen ja vakavan loukkaantumisen)

KÄYTTÖ

- Terien vaihto/kääntäminen ④
Tässä höylässä on hiertämättömät terät molemminpuoliseen leikkureunoineen; jos yksi puoli tylsistyy, voidaan käyttää toista puolta
! sammuta kone ja irrota pistoke pistorasiasta

- poista ohjauslaitteet, jos ne on kiinnitetty
- ota esille ruuviavain säilytyspaikasta A
- käännä kone ylösalaisin
- löysennä 3 pulttia B ruuviavaimella (älä irrota pultteja)
- työnnä terä teräpäästä puupalasella
- aseta terä takaisin teräpäähän vastapäiväiseen asentoon tai käytä uutta terää
- ! terän uran on vastattava teräpään ulkonemaa**
- ! molempien teräpäiden on työnnyttävä esille yhtäläisesti**
- ! varmista, että terän pää X on höylän pohjan tasalla (asetta viivain höylän pohjaan vasten kuvan mukaisesti ja käytä sitä rajoittimena)**
- kiinnitä 3 pulttia B kunnolla ruuviavaimen avulla
- ! vaihda/käännä terät tarvittaessa; käytä vain teräviä teriä**
- ! vaihda/käännä molemmat terät aina samanaikaisesti**
- ! älä yritä säätää teriä teräpäänruuvilla C, jotka on esiasetettu valmistusvaiheessa tehtaalla**
- Höyläyspyyvyyden säätäminen (0-3 mm) ⑤
 - käännä nuppia D halutun syvyyden valitsemiseksi
 - käytä osoitinriiviä E viiteenä
 - valitse aina matala höyläyspyvyys ja toista höyläys- ja säätöprosessi, kunnes on saatu haluttu syvyys
- Lastunpoisto ⑥
 - valitse lastunpoiston suunta (vasen tai oikea) valitsimella G
 - liitä pölynimuri ja sovitin H valittuun lastunpoistoaukkoon kuvan osoittamalla tavalla
 - myös pölypussin J voi liittää valittuun lastunpoistoaukkoon kuvan osoittamalla tavalla
 - ! älä yritä poistaa mahdollisia esteitä lastunpoistoaukosta terien pyöriessä**
- Seisontatuki K ⑦
 - suojaa työkalupalle vaurioitumiselta työkalu asetettaessa sivuun
 - taipuu automaattisesti taaksepäin höyläyksen aikana
- Työkalun käyttö
 - säädä höyläyspyvyys
 - aseta kone työkalupalleen päälle
 - ! varmista, että ainoastaan etukenkä asettuu työkalupalleelle ja että terät eivät kosketa sitä**
 - kytke virta työkaluun painamalla ensin nuppia L ② (= turvakytin, jota ei voida lukita) ja sen jälkeen painamalla kytkimestä M ②
 - ! työkalun on ajettava täydellä nopeudella ennen terien ulottumista työkalupalleeseen**
 - pidä työkalusta kiinni tukevasti molemmin käsin ja ohjaa sitä eteenpäin jatkuvalla iskulla
 - ! pidä työkalusta kiinni aina työskentelyn aikana harmaan värisestä kädensija(o)sta ⑧**
 - käytä työkalua sen aluslaatan ollessa työkalupalleella
 - älä kallista työkalua höyläysmerkkien välttämiseksi
 - pidä ilmanvaihto-aukkoja Q ② peittämättöminä
 - ! ennen koneen sammuttamista se tulee nostaa irti työkalupalleesta**
 - sammuta työkalusta vapauttamalla kytkimestä M
- Huulihöyläys ⑨
 - säädä ensin haluttu höyläyspyvyys
 - säädä huultosityvyys käyttäen huultosityvyyden rajoitinta N

- aseta kone työkappaleen päälle
- aloita höyläys
- maximi huulleveys 82 mm
- maximi huullesyvyyden 15 mm
- Huulehöylättäessä saavutat parhaan leikkaustuloksen liikuttamalla käyttämällä suunnanohjainta P huulleveyden säädön ⑩

VINKKEJÄ

- Käytä reunojen höyläämiseen pohjalevyn kärjessä olevia V-uria ⑪
- aseta nuppia D "0"-asentoon
- valitse yksi kolmesta V-urasta
- ! **testaa ensin kappaleella**

HOITO / HUOLTO

- Pidä työkalu ja johto puhtaina (varmista erityisesti ilma-aukkojen puhtaus Q ②)
- ! **irrotta liitosjohto aina puhdistuksen ajaksi pistorasialta**
- Jos sähkötyökälussa, huolellisesta valmistuksesta ja koestusmenettelystä huolimatta esiintyy vikaa, tulee korjaus antaa SKIL sopimushuollon tehtäväksi
- toimita työkalu sitä osiin **purkamatta** lähimpään SKIL-huoltoon (osoitteet ja työkalun huoltokaava ovat tarjolla web-osoitteessa www.skilmasters.com) ostotodiste mukaan liitettynä

YMPÄRISTÖSUOJELU

- **Älä hävitä sähkötyökälua, tarvikkeita tai pakkausta tavallisen kotitalousjätteen mukana** (koskee vain EU-maita)
- vanhoja sähkö- ja elektroniikkalaitteita koskevan EU-direktiivin 2012/19/ETY ja sen maakohtaisten sovellusten mukaisesti käytetyt sähkötyökälu on toimitettava ongelmajätteen keräyspisteeseen ja ohjattava ympäristöstävälliseen kierrätykseen
- symboli ⑫ muistuttaa tästä, kun käytöstä poisto tulee ajankohtaiseksi

VAATIMUSTEN- MUKAISUUSVAKUUTUS C E

- Vakuutamme yksin vastaavamme siitä, että kohdassa "Tekniset tiedot" selostettu tuote vastaa seuraavia standardeja tai standardoituja asiakirjoja: EN 60745, EN 61000, EN 55014 direktiivien 2004/108/EY, 2006/42/EY, 2011/65/EU määräysten mukaan
- **Tekninen tiedosto kohdasta:** SKIL Europe BV (PT-SEU/ENG1), 4825 BD Breda, NL

Marijn van der Hoofden
Operations & Engineering

Olaf Dijkgraaf
Approval Manager

SKIL Europe BV, 4825 BD Breda, NL

23.12.2013

MELU/TÄRINÄ

- Mitattuna EN 60745 mukaan työkalun melutaso on 91 dB(A) ja yleensä työkalun äänen voimakkuus on 102 dB(A) (keskihajonta: 3 dB), ja tärinän voimakkuus 6,9 m/s² (käsi-käsiavarsi metodi; epävarmuus K = 1,5 m/s²)
- Tärinäsaiteilytaso on mitattu standardin EN 60745 mukaisen standarditestin mukaisesti; sitä voidaan käyttää verrattuna yhtä laitetta toiseen sekä alustavana tärinälle altistumisen arviona käytettäessä laitetta manituissa käyttötarkoituksissa
- laitteen käyttö eri käyttötarkoituksiin tai erilaisten tai huonosti ylläpidettyjen lisälaitteiden kanssa voi **lisätä** merkittävästi altistumistasoa
- laitteen ollessa sammuksissa tai kun se on käynnissä, mutta sillä ei tehdä työtä, altistumistaso voi olla huomattavasti **pienempi**
- ! **suojaudu tärinän vaikutuksilta ylläpitämällä laite ja sen lisävarusteet, pitämällä kädet lämpiminä ja järjestämällä työmenetelmät**

E

Cepillo

1570

INTRODUCCIÓN

- Esta herramienta está diseñada para cepillar piezas de madera como vigas y tablas; también es adecuada para achaflanar bordes y hacer rebajes
- Lea y conserve este manual de instrucciones ③

DATOS TÉCNICOS ①

ELEMENTOS DE LA HERRAMIENTA ②

- A Alojamiento para la llave
- B Perno de sujeción
- C Tornillos del bloque cortador
- D Botón de ajuste de profundidad de cepillado
- E Indicador de profundidad de cepillado
- F Salida de virutas (izquierda/derecha)
- G Interruptor salida de virutas
- H Adaptador para aspirador
- J Bolsa de polvo
- K Zapata de reposo
- L Interruptor de seguridad
- M Interruptor de activación/desactivación
- N Tope de profundidad de rebaje
- P Guía paralela
- Q Ranuras de ventilación

SEGURIDAD

INSTRUCCIONES GENERALES DE SEGURIDAD

¡ATENCIÓN! Lea íntegramente estas advertencias de peligro e instrucciones. En caso de no atenderse a las advertencias de peligro e instrucciones siguientes, ello puede ocasionar una descarga eléctrica, un incendio y/o lesión grave. **Guardar todas las advertencias de peligro e instrucciones para futuras consultas.** El término "herramienta eléctrica" empleado en las siguientes

advertencias de peligro se refiere a herramientas eléctricas de conexión a la red (con cable de red) y a herramientas eléctricas accionadas por acumulador (o sea, sin cable de red).

1) SEGURIDAD DEL PUESTO DE TRABAJO

- a) **Mantenga limpia y bien iluminada su área de trabajo.** El desorden o una iluminación deficiente en las áreas de trabajo pueden provocar accidentes.
- b) **No utilice la herramienta eléctrica en un entorno con peligro de explosión, en el que se encuentren combustibles líquidos, gases o material en polvo.** Las herramientas eléctricas producen chispas que pueden llegar a inflamar los materiales en polvo o vapores.
- c) **Mantenga alejados a los niños y otras personas de su área de trabajo al emplear la herramienta eléctrica.** Una distracción le puede hacer perder el control sobre la herramienta.

2) SEGURIDAD ELÉCTRICA

- a) **El enchufe de la herramienta debe corresponder a la toma de corriente utilizada. No es admisible modificar el enchufe en forma alguna. No emplear adaptadores en herramientas dotadas con una toma de tierra.** Los enchufes sin modificar adecuados a las respectivas tomas de corriente reducen el riesgo de una descarga eléctrica.
- b) **Evite que su cuerpo toque partes conectadas a tierra como tuberías, radiadores, cocinas y refrigeradores.** El riesgo a quedar expuesto a una descarga eléctrica es mayor si su cuerpo tiene contacto con tomas de tierra.
- c) **No esponga las herramientas eléctricas a la lluvia o a condiciones de humedad.** Existe el peligro de recibir una descarga eléctrica si penetran líquidos en la herramienta.
- d) **No utilice el cable de red para transportar o colgar la herramienta, ni tire de él para sacar el enchufe de la toma de corriente. Mantenga el cable de red alejado del calor, aceite, esquinas cortantes o piezas móviles.** Los cables de red dañados o enredados pueden provocar una descarga eléctrica.
- e) **Al trabajar con la herramienta eléctrica en la intemperie utilice solamente cables de prolongación homologados para su uso en exteriores.** La utilización de un cable de prolongación adecuado para su uso en exteriores reduce el riesgo de una descarga eléctrica.
- f) **Si el funcionamiento de una herramienta eléctrica en un lugar húmedo fuese inevitable, utilice un cortacircuito de fuga a tierra.** El uso de un cortacircuito de fuga a tierra reduce el riesgo de descarga eléctrica.

3) SEGURIDAD DE PERSONAS

- a) **Esté atento y emplee la herramienta con prudencia. No utilice la herramienta eléctrica si estuviese cansado, ni bajo los efectos de alcohol, drogas o medicamentos.** El no estar atento durante el uso de una herramienta eléctrica puede provocar serias lesiones.
- b) **Utilice un equipo de protección personal y en todo caso unas gafas de protección.** El riesgo a lesionarse se reduce considerablemente si, dependiendo del tipo y

la aplicación de la herramienta eléctrica empleada, se utiliza un equipo de protección adecuado como una mascarilla antipolvo, zapatos de seguridad con suela antideslizante, casco, o protectores auditivos.

- c) **Evite una puesta en marcha fortuita. Asegurarse de que la herramienta eléctrica esté desconectada antes de conectarla a la toma de corriente y/o al montar el acumulador, al recogerla, y al transportarla.** Si transporta la herramienta eléctrica sujetándola por el interruptor de conexión/desconexión, o si introduce el enchufe en la toma de corriente con la herramienta eléctrica conectada, ello puede dar lugar a un accidente.
 - d) **Retire las herramientas de ajuste o llaves fijas antes de conectar la herramienta eléctrica.** Una herramienta o llave colocada en una pieza rotativa puede producir lesiones graves al accionar la herramienta eléctrica.
 - e) **Sea precavido. Trabaje sobre una base firme y mantenga el equilibrio en todo momento.** Ello le permitirá controlar mejor la herramienta eléctrica en caso de presentarse una situación inesperada.
 - f) **Lleve puesta una vestimenta de trabajo adecuada. No utilice vestimenta amplia ni joyas. Mantenga su pelo, vestimenta y guantes alejados de las piezas móviles.** La vestimenta suelta, las joyas y el pelo largo se pueden enganchar con las piezas en movimiento.
 - g) **Siempre que sea posible utilizar equipos de aspiración o captación de polvo, asegúrese que éstos estén montados y que sean utilizados correctamente.** El empleo de estos equipos reduce los riesgos derivados del polvo.
- ### 4) CUIDADO Y UTILIZACIÓN DE HERRAMIENTAS ELÉCTRICAS
- a) **No sobrecargue la herramienta. Use la herramienta prevista para el trabajo a realizar.** Con la herramienta adecuada podrá trabajar mejor y con mayor seguridad dentro del margen de potencia indicado.
 - b) **No utilice herramientas con un interruptor defectuoso.** Las herramientas que no se pueden conectar o desconectar son peligrosas y deben repararse.
 - c) **Saque el enchufe de la red y/o desmonte el acumulador antes de realizar un ajuste en la herramienta eléctrica, cambiar de accesorio o al guardar la herramienta eléctrica.** Esta medida preventiva reduce el riesgo de conectar accidentalmente la herramienta.
 - d) **Guarde las herramientas fuera del alcance de los niños y de las personas que no estén familiarizadas con su uso.** Las herramientas utilizadas por personas inexpertas son peligrosas.
 - e) **Cuide sus herramientas con esmero. Controle si funcionan correctamente, sin atascarse, las partes móviles de la herramienta, y si existen partes rotas o deterioradas que pudieran afectar al funcionamiento de la herramienta. Si la herramienta eléctrica estuviese defectuosa haga repararla antes de volver a utilizarla.** Muchos de los accidentes se deben a herramientas con un mantenimiento deficiente.
 - f) **Mantenga los útiles limpios y afilados.** Los útiles mantenidos correctamente se dejan guiar y controlar mejor.

- g) **Utilice herramientas eléctricas, accesorios, útiles, etc. de acuerdo con estas instrucciones, teniendo en cuenta las condiciones de trabajo y la tarea a realizar.** El uso de herramientas eléctricas para trabajos diferentes de aquellos para los que han sido concebidas puede resultar peligroso.

5) SERVICIO

- a) **Únicamente haga reparar su herramienta eléctrica por un profesional, empleando exclusivamente piezas de repuesto originales.** Solamente así se mantiene la seguridad de la herramienta eléctrica.

INSTRUCCIONES DE SEGURIDAD PARA CEPILLOS

GENERAL

- Esta herramienta no debe utilizarse por personas menores de 16 años
- El nivel de ruido, con la herramienta trabajando, podrá sobrepasar 85 dB(A); usar protectores auditivos
- **No trabaje materiales que contengan amianto** (el amianto es cancerígeno)
- El polvo del material, como por ejemplo la pintura que contiene plomo, algunas especies de madera, minerales y metal podrían ser dañinos (el contacto o inhalación del polvo podría producir reacciones alérgicas y/o trastornos respiratorios al operador u otras personas cerca); **utilice una máscara contra el polvo y trabaje con un dispositivo de extracción de polvo cuando lo conecte**
- Ciertos tipos de polvo están catalogados como cancerígenos (por ejemplo el polvo de roble y de haya) especialmente junto con aditivos para el acondicionamiento de la madera; **utilice una máscara contra el polvo y trabaje con un dispositivo de extracción de polvo cuando lo conecte**
- Siga la normativa nacional en cuanto a extracción de polvo, en función de los materiales que vayan a ser utilizados
- SKIL únicamente puede garantizar un funcionamiento correcto de la herramienta, cuando se utilicen los accesorios adecuados que podrá obtener de su proveedor de SKIL
- No utilizar la herramienta cuando el cable esté dañado; hágalo cambiar por una persona calificada
- **Desenchufar siempre la herramienta antes de realizar cualquier ajuste o cambiar algún accesorio**

ANTES DEL USO

- Compruebe siempre que la tensión de alimentación es la misma que la indicada en la placa de características de la herramienta (las herramientas de 230V o 240V pueden conectarse también a 220V)
- Evite los daños que puedan causar los tornillos, clavos y otros objetos sobre la pieza de trabajo; retírelos antes de empezar a trabajar
- Antes de utilizar la herramienta, compruebe que las cuchillas no froten con nada
- Utilice cables de extensión seguros y completamente desenrollados con una capacidad de 16 amperios
- **Utilice abrazaderas u otro sistema práctico para asegurar y soportar la pieza de trabajo en una plataforma estable** (si la sujeta con la mano o contra el cuerpo, queda inestable y puede perder el control sobre ella)

DURANTE EL USO

- **Sujete la herramienta por las superficies de agarre aisladas, ya que es posible que la cuchilla haga contacto con su propio cable de alimentación** (cortar un cable bajo tensión también puede conectar las partes metálicas expuestas de la herramienta, con el consiguiente riesgo de sacudida eléctrica al operario)
- Mantenga siempre el cable lejos de las partes móviles de la herramienta; mantenga el cable detrás de usted, lejos de la herramienta
- Mantenga los dedos apartados de las cuchillas giratorias
- En el caso de que se produjera un mal funcionamiento eléctrico o mecánico, apague inmediatamente la herramienta y desconecte el enchufe
- Si llega a dañarse o cortarse el cable eléctrico durante el trabajo, no tocar el cable, sino extraer inmediatamente el enchufe de la red
- Si queda alguna viruta atascada en la salida de virutas, debe desconectar el motor y, tras asegurarse de que todas las piezas móviles se han detenido completamente, desconectar el enchufe y retirar la viruta atascada

DESPUÉS DEL USO

- **Espera a que el bloque cortador pare antes de colocar la herramienta sobre una superficie** (una cuchilla expuesta puede engancharse en la superficie, causando la posibilidad de pérdida de control y lesiones graves)

USO

- Cambio/inversión de las cuchillas ④
Este cepillo está equipado con cuchillas no afilables con filos cortantes en ambos lados; por lo tanto, si un lado se embota, puede utilizarse en el otro
! pare la herramienta y desenchúfela
 - retire los dispositivos de guía, si están montados
 - tome la llave del alojamiento A
 - voltee la herramienta al revés
 - afloje 3 pernos B con la llave (no retire los pernos)
 - retire la cuchilla del bloque cortador empujándola con un trozo de madera
 - vuelva colocar la cuchilla en el bloque cortador en posición invertida o utilice una nueva cuchilla**! la muesca de la cuchilla debe corresponder al borde del bloque cortador**
! ambos extremos de la cuchilla deben sobresalir igualmente
! compruebe que el extremo de la cuchilla X está alineado con el borde del soporte (ponga una regla contra el alojamiento, tal como se muestra en la ilustración, y utilícela como tope)
 - apriete firmemente 3 pernos B con la llave**! cambie/invierta las cuchillas al mismo tiempo; utilice solamente cuchillas afiladas**
! cambie/invierta siempre las cuchillas al mismo tiempo
! no intente ajustar las cuchillas con los tornillos del bloque cortador C, que se preajustan durante la fabricación

- Ajustando la profundidad de cepillado (0-3 mm) ⑤
 - gire el botón D para seleccionar la profundidad deseada
 - utilice la línea indicadora E como referencia
 - seleccione siempre una profundidad de cepillado pequeña y repita el cepillado y el proceso de ajuste hasta alcanzar la profundidad requerida
- Salida de virutas ⑥
 - seleccione el lado de salida de virutas (izquierdo o derecho) deseado con el interruptor G
 - conecte la aspiradora con el adaptador H a la salida de virutas seleccionada como indica la ilustración
 - podría también conectar la bolsa de polvo J a la salida de virutas seleccionada como indica la ilustración
 - ! **no intente retirar las obstrucciones de la salida de virutas mientras las cuchillas están girando**
- Zapata de reposo K ⑦
 - protege la pieza de trabajo contra daños cuando la herramienta se pone a un lado
 - se plegará automáticamente hacia atrás durante el cepillado
- Utilización de la herramienta
 - ajuste la profundidad de cepillado
 - coloque la herramienta sobre la pieza de trabajo
 - ! **asegúrese de que solamente la zapata delantera descanse en la pieza de trabajo y que las cuchillas no la toquen**
 - active la herramienta primero apretando el botón L ② (= interruptor de seguridad que no puede bloquearse) y después tirando del gatillo M ②
 - ! **antes de que las cuchillas toquen la pieza de trabajo, la herramienta debe funcionar a velocidad máxima**
 - sujete la herramienta firmemente con ambas manos y guíela hacia delante en una pasada continua
 - ! **durante el trabajo, sujete siempre la herramienta por la(s) zona(s) de empuñadura de color gris ⑧**
 - utilice la herramienta con su placa base en la pieza de trabajo
 - no incline la herramienta, para evitar marcas de cepillado no deseadas
 - mantenga las ranuras de ventilación Q ② descubiertas
 - ! **antes de desactivar la herramienta, debe retirarla de la pieza de trabajo**
 - desactive la herramienta soltando el gatillo M
- Cepillar rebajes ⑨
 - seleccione la profundidad de cepillado deseada
 - seleccione la profundidad del rebaje usando el tope de profundidad de rebaje N
 - coloque la herramienta sobre la pieza de trabajo
 - empiece a cepillar
 - máxima anchura de rebaje 82 mm
 - máxima profundidad de rebaje 15 mm
- Al cepillar rebajes obtendrá mejores resultados usando la guía lateral P para ajustar la anchura del rebaje ⑩

CONSEJOS DE APLICACIÓN

- Para achaflanar bordes, utilice las ranuras en V de la zapata delantera ⑪
 - coloque el botón D en la posición de "0"
 - seleccione una de las 3 ranuras en V
 - ! **pruebe siempre con un trozo de material de descarte**

MANTENIMIENTO / SERVICIO

- Mantenga limpio el cable eléctrico y la herramienta (sobre todo las ranuras de ventilación Q ②)
- ! **desenchufar la herramienta antes de limpiar**
- Si a pesar de los esmerados procesos de fabricación y control, la herramienta llegase a averiarse, la reparación deberá encargarse a un servicio técnico autorizado para herramientas eléctricas SKIL
 - envíe la herramienta **sin desmontar** junto con una prueba de su compra a su distribuidor o a la estación de servicio más cercana de SKIL (los nombres así como el despiece de piezas de la herramienta figuran en www.skilmasters.com)

AMBIENTE

- **No deseche las herramientas eléctricas, los accesorios y embalajes junto con los residuos domésticos** (sólo para países de la Unión Europea)
 - de conformidad con la Directiva Europea 2012/19/CE sobre residuos de aparatos eléctricos y electrónicos y su aplicación de acuerdo con la legislación nacional, las herramientas eléctricas cuya vida útil haya llegado a su fin se deberán recoger por separado y trasladar a una planta de reciclaje que cumpla con las exigencias ecológicas
 - símbolo ⑫ llamará su atención en caso de necesidad de tirarlas

DECLARACIÓN DE CONFORMIDAD CE

- Declaramos bajo nuestra sola responsabilidad que el producto descrito bajo "Datos técnicos" está en conformidad con las normas o documentos normalizados siguientes: EN 60745, EN 61000, EN 55014, de acuerdo con las disposiciones en las directivas 2004/108/CE, 2006/42/CE, 2011/65/UE
- **Expediente técnico en:** SKIL Europe BV (PT-SEU/ENG1), 4825 BD Breda, NL

Marijn van der Hoofden
Operations & Engineering

Olaf Dijkgraaf
Approval Manager




SKIL Europe BV, 4825 BD Breda, NL

23.12.2013

RUIDOS/VIBRACIONES

- Medido según EN 60745 el nivel de la presión acústica de esta herramienta se eleva a 91 dB(A) y el nivel de la potencia acústica a 102 dB(A) (desviación estándar: 3 dB), y la vibración a 6,9 m/s² (método brazo-mano; incertidumbre K = 1,5 m/s²)
- El nivel de emisión de vibraciones ha sido medido según una prueba estándar proporcionada en EN 60745; puede utilizarse para comparar una herramienta con otra y como valoración preliminar de la exposición a las vibraciones al utilizar la herramienta con las aplicaciones mencionadas

- al utilizarla para distintas aplicaciones o con accesorios diferentes o con un mantenimiento deficiente, podría **aumentar** de forma notable el nivel de exposición
 - en las ocasiones en que se apaga la herramienta o cuando está funcionando pero no está realizando ningún trabajo, se podría **reducir** el nivel de exposición de forma importante
- ! protéjase contra los efectos de la vibración realizando el mantenimiento de la herramienta y sus accesorios, manteniendo sus manos calientes y organizando sus patrones de trabajo**



P

Plaina

1570

INTRODUÇÃO

- Esta ferramenta é determinada para aplainar materiais de madeira como vigas e tábuas; ele é apropriada para chanfrar cantos e aplainar rebaixos
- Leia e guarde este manual de instruções ③

DADOS TÉCNICOS ①

ELEMENTOS DA FERRAMENTA ②

- A Alojamento da chave
- B Porca de fixação
- C Parafusos do bloco de corte
- D Botão para ajustar a profundidade de aplainamento
- E Indicador de profundidade de aplainamento
- F Saída de pedaços (esquerda/direita)
- G Interruptor da saída de pedaços
- H Adaptador para aspirador
- J Saco do pó
- K Patim de descanço
- L Interruptor de segurança
- M Interruptor para ligar/desligar
- N Dispositivo de ajuste de profundidade de rebaixo
- P Guia paralela
- Q Aberturas de ventilação

SEGURANÇA

INSTRUÇÕES GERAIS DE SEGURANÇA

⚠ ATENÇÃO! Devem ser lidas todas as indicações de advertência e todas as instruções. O desrespeito das advertências e instruções apresentadas abaixo pode causar choque eléctrico, incêndio e/ou graves lesões. **Guarde bem todas as advertências e instruções para futura referência.** O termo “ferramenta eléctrica” utilizado a seguir nas indicações de advertência, refere-se a ferramentas eléctricas operadas com corrente de rede (com

cabo de rede) e a ferramentas eléctricas operadas com acumulador (sem cabo de rede).

1) SEGURANÇA DA ÁREA DE TRABALHO

- a) **Mantenha a sua área de trabalho limpa e arrumada.** Desordem ou áreas de trabalho com fraca iluminação podem causar acidentes.
- b) **Não trabalhar com a ferramenta eléctrica em áreas com risco de explosão, nas quais se encontrem líquidos, gases ou pós inflamáveis.** Ferramentas eléctricas produzem faíscas que podem provocar a ignição de pó e vapores.
- c) **Mantenha crianças e outras pessoas afastadas da ferramenta eléctrica durante o trabalho com a ferramenta.** Distrações podem causar a falta de controle sobre o aparelho.

2) SEGURANÇA ELÉCTRICA

- a) **A ficha da ferramentas eléctricas devem caber na tomada. A ficha não deve ser modificada de modo algum. Não utilize quaisquer fichas de adaptação junto com ferramentas eléctricas ligadas à terra.** Fichas sem modificações e tomadas adequadas reduzem o risco de choques eléctricos.
- b) **Evite que o corpo entre em contacto com superfícies ligadas à terra, como por exemplo tubos, radiadores, fogões e geladeiras.** Há um risco elevado de choques eléctricos, caso o corpo for ligado à terra.
- c) **A ferramenta eléctrica não deve ser exposta à chuva nem humidade.** A penetração de água na ferramenta eléctrica aumenta o risco de choques eléctricos.
- d) **O cabo do aparelho não deve ser utilizado para o transporte, para pendurar o aparelho, nem para puxar a ficha da tomada. Mantenha o cabo afastado de calor, óleo, cantos afiados ou partes em movimento do aparelho.** Cabos danificados ou torcidos aumentam o risco de choques eléctricos.
- e) **Ao trabalhar com a ferramenta eléctrica ao ar livre, use um cabo de extensão apropriado para áreas externas.** O uso de um cabo apropriado para áreas externas reduz o risco de choques eléctricos.
- f) **Se não for possível evitar o funcionamento da ferramenta eléctrica em áreas húmidas, deverá ser utilizado uma disjuntor de corrente de avaria.** A utilização de um disjuntor de corrente de avaria reduz o risco de um choque eléctrico.

3) SEGURANÇA DE PESSOAS

- a) **Esteja alerta, observe o que está a fazer, e tenha prudência ao trabalhar com a a ferramenta eléctrica. Não use a ferramenta eléctrica se estiver fatigado ou sob a influência de drogas, álcool ou medicamentos.** Um momento de falta de atenção durante a operação da ferramenta eléctrica pode causar graves lesões.
- b) **Utilizar equipamento de protecção pessoal e sempre óculos de protecção.** A utilização de equipamento de protecção pessoal, como máscara de protecção contra pó, sapatos de segurança antiderrapantes, capacete de segurança ou protecção auricular, de acordo com o tipo e aplicação da ferramenta eléctrica, reduz o risco de lesões.

- c) **Evitar uma colocação em funcionamento involuntária. Assegure-se de que a ferramenta eléctrica esteja desligada, antes de conectá-la à alimentação de rede e/ou ao acumulador, antes de levantá-la ou de transportá-la.** Se tiver o dedo no interruptor ao transportar a ferramenta eléctrica ou se o aparelho for conectado à alimentação de rede enquanto estiver ligado, poderão ocorrer acidentes.
- d) **Remover chaves de ajustes ou chaves de fenda, antes de ligar a ferramenta eléctrica.** Uma chave de fenda ou chave de ajuste que se encontre numa parte móvel do aparelho, pode levar a lesões.
- e) **Não se sobrestime. Mantenha uma posição firme e mantenha sempre o equilíbrio.** Desta forma poderá ser mais fácil controlar o aparelho em situações inesperadas.
- f) **Use roupa apropriada. Não use roupa larga ou jóias. Mantenha o cabelo, roupa e luvas afastadas de partes em movimento.** Roupas largas, jóias ou cabelos longos podem ser agarradas por partes em movimento.
- g) **Se for prevista a montagem de dispositivos de aspiração de pó e de dispositivos de recolha, assegure-se de que estão conectados e que sejam utilizados de forma correcta.** A utilização de uma aspiração de pó pode reduzir o perigo devido ao pó.
- 4) USO E TRATAMENTO DE FERRAMENTAS ELÉCTRICAS**
- a) **Não sobrecarregue a ferramenta eléctrica. Use para o seu trabalho a ferramenta eléctrica correcta.** A ferramenta correcta realizará o trabalho de forma melhor e mais segura dentro da faixa de potência indicada.
- b) **Não utilize a ferramenta eléctrica se o interruptor não puder ser ligado nem desligado.** Qualquer ferramenta eléctrica que não possa ser controlada através do interruptor de ligar-desligar, é perigosa e deve ser reparada.
- c) **Puxar a ficha da tomada e/ou remover o acumulador antes de executar ajustes na ferramenta, de substituir acessórios ou de guardar a ferramenta.** Esta medida de segurança evita que a ferramenta eléctrica seja ligada acidentalmente.
- d) **Guarde ferramentas eléctricas que não estiverem sendo utilizadas, for a do alcance de crianças. Não permita que o aparelho seja utilizado por pessoas não familiarizadas com o mesmo ou que não tenham lido estas instruções.** Ferramentas eléctricas são perigosas nas mãos de pessoas sem treinamento.
- e) **Trate a sua ferramenta eléctrica com cuidado. Verifique se as partes móveis do aparelho funcionam perfeitamente e não emperram, se há peças quebradas ou danificadas, que possam influenciar o funcionamento do aparelho. Peças danificadas devem ser reparadas antes da utilização do aparelho.** Muitos acidentes tem como causa uma manutenção insuficiente das ferramentas eléctricas.
- f) **Mantenha as ferramentas de corte sempre afiadas e limpas.** Ferramentas de cortes devidamente tratadas, com cantos afiados travam com menos frequência e podem ser controladas com maior facilidade.
- g) **Use a ferramenta eléctrica, os acessórios os bits da ferramenta etc., de acordo com estas instruções.**

Considere também as condições de trabalho e o trabalho a ser efectuado. A utilização da ferramenta eléctrica para outros fins que os previstos, pode resultar em situações perigosas.

5) SERVIÇO

- a) **A sua ferramenta eléctrica só deve ser reparada por pessoal qualificado e só devem ser colocadas peças sobressalentes originais.** Desta forma é assegurada a segurança da ferramenta eléctrica.

INSTRUÇÕES DE SEGURANÇA PARA PLAINAS

GENERAL

- Esta ferramenta não deve ser utilizada por pessoas menores de 16 anos
- O nível de ruído durante o trabalho pode exceder 85 dB(A); utilize protectores auriculares
- **Não processar material que contenha asbesto** (asbesto é considerado como sendo cancerígeno)
- O pó do material, como tinta com chumbo, algumas espécies de madeira, minerais e metais, pode ser prejudicial (contacto ou inalação do pó pode provocar reacções alérgicas e/ou doenças respiratórias ao operador ou às pessoas presentes); **use máscara respiratória e trabalhe com um dispositivo de extracção de pó quando ligado a**
- Determinados tipos de pó são classificados como substâncias cancerígenas (como pó de carvalho e faia), em especial, juntamente com aditivos para acondicionamento da madeira; **use máscara respiratória e trabalhe com um dispositivo de extracção de pó quando ligado a**
- Siga o regulamento nacional quanto a extração de pó, em função dos materiais que vão ser utilizados
- A SKIL só pode garantir um funcionamento perfeito da ferramenta, quando utilizada com os acessórios adequados que poderá adquirir nos revendedores autorizados SKIL
- Não utilizar ferramenta caso o fio esteja danificado; mandando-o substituir por pessoal qualificado
- **Desligue sempre a ficha da tomada antes de proceder a qualquer ajustamento ou troca de acessório**

ANTES DA UTILIZAÇÃO

- Certifique-se sempre de que a tensão de alimentação está de acordo com a tensão indicada na placa de identificação da ferramenta (ferramentas com a indicação de 230V ou 240V também podem ser ligadas a uma fonte de 220V)
- Evite danificar a ferramenta em superfícies com pregos ou parafusos; remova-os antes de começar a trabalhar
- Antes de usar a ferramenta, certifique-se de que as lâminas não estão a tocar em lado nenhum
- Utilize extensões completamente desenroladas e seguras, com uma capacidade de 16 Amp
- **Utilize os grampos ou outra forma prática para apoiar e fixar a peça de trabalho numa plataforma estável** (segurar o trabalho com a mão ou contra o corpo deixa a peça instável e pode provocar a perda de controlo)

DURANTE A UTILIZAÇÃO

- **Segure a ferramenta eléctrica pelas superfícies de fixação, porque o cortador pode contactar com o cabo** (o corte de um fio "eléctrico" pode expor as peças metálicas da ferramenta eléctrica e pode originar um choque eléctrico no operador)
- Mantenha sempre o fio afastado das peças rotativas da ferramenta; coloque o fio para trás, fora do alcance da ferramenta
- Mantenha os dedos afastados das lâminas em rotação
- Em caso de anomalias eléctricas ou mecânicas, desligue imediatamente a ferramenta e tire a ficha da tomada
- Caso o fio for danificado ou cortado durante o trabalho, não toque no fio, mas tire imediatamente a ficha da tomada
- Se ficar qualquer apara presa na saída de aparas, tem que desligar o motor, certificar-se de que todas as peças móveis estão completamente paradas, desligar a ficha e retirar as aparas que estão presas

APÓS A UTILIZAÇÃO

- **Aguarde que o bloco de corte páre antes de descansar a ferramenta** (uma lâmina exposta pode prender na superfície e levar a possível perda de controlo e lesão grave)

MANUSEAMENTO

- Mudar/inverter as lâminas ④
Esta plaina está equipada com lâminas não afiáveis com gumes de ambos os lados; por isso, se um dos lados estiver rombo, pode ser usado o outro lado
! desligue a ferramenta e retire a ficha da tomada
 - desmonte os dispositivos de guia, se montados
 - retire a chave do alojamento A
 - volte a ferramenta ao contrário
 - desaperte as três porcas B com a chave (não retire as porcas)
 - empurre a lâmina para fora do bloco de corte com um pedaço de madeira
 - volte a colocar a lâmina no bloco de corte voltada do outro lado, ou use uma lâmina nova**! a ranhura da lâmina deve encaixar na saliência do bloco de corte**
! as extremidades da lâmina devem ficar com o mesmo comprimento a sair de ambos os lados
! certifique-se de que a extremidade da lâmina X alinha com o canto da base (coloque uma régua encostada a direito à caixa como ilustrado e utilize-a como batente)
 - aperte com firmeza as 3 porcas B utilizando a chave**! mude/inverta as lâminas na devida altura; use apenas lâminas afiadas**
! mude/inverta sempre ambas as lâminas ao mesmo tempo
! não tente ajustar as lâminas com os parafusos do bloco de corte C, que vêm pré-ajustados de fábrica
- Ajustar a profundidade de aplainamento (0-3 mm) ⑤
 - rode o botão D para seleccionar a profundidade desejada
 - use a linha indicadora E como referência

- seleccione sempre uma pequena profundidade de aplainamento e repita o processo de aplainamento e ajuste até atingir a profundidade desejada
- Saída de pedaços ⑥
 - seleccione o lado da saída de pedaços pretendido (esquerdo ou direito) com o interruptor G
 - ligue o aspirador com o adaptador H à saída de pedaços conforme ilustrado
 - pode também ligar um saco de pó J à saída de pedaços seleccionada conforme ilustrado**! não tente remover nenhuma obstrução da saída de pedaços enquanto as lâminas estiverem a rodar**
- Patim de descaço K ⑦
 - protege a peça de trabalho contra danos quando a ferramenta é posta de parte
 - recolhe automaticamente para trás durante o aplainamento
- Utilização da ferramenta
 - ajuste a profundidade de aplainamento
 - coloque a ferramenta na peça a trabalhar**! certifique-se de que apenas a chumaceira dianteira fica a assentar na peça de trabalho e que as lâminas não tocam na peça**
 - ligue a ferramenta premindo primeiro o botão L ② (= interruptor de segurança que não pode ser travado) e depois apertando o gatilho M ②**! a ferramenta deve funcionar a toda a velocidade antes de as lâminas tocarem na peça de trabalho**
 - segure bem a ferramenta com ambas as mãos e guie-a para a frente com um movimento contínuo**! durante o trabalho, segure sempre a ferramenta na(s) área(s) de fixação cinzenta(s) ⑧**
 - use a ferramenta com a respectiva base na peça de trabalho
 - não incline a ferramenta para evitar marcas de aplainamento indesejadas
 - mantenha as aberturas de ventilação Q ② destapadas**! antes de desligar a ferramenta, deve levantá-la da peça de trabalho**
 - desligue a ferramenta soltando o gatilho M
- Rebaixos ⑨
 - seleccione a profundidade de aplainamento desejada
 - seleccione a profundidade de rebaixo, utilizando o dispositivo de ajuste de profundidade de rebaixo N
 - coloque a ferramenta na peça a trabalhar
 - comece a aplainar
 - largura máxima do rebaixo 82 mm
 - profundidade máxima do rebaixo 15 mm
- Aplainando rebaixos obtera resultados melhores utilizando a guia de fendas P para regular a largura do rebaixo ⑩

CONSELHOS DE APLICAÇÃO

- Para chanfrar cantos, utilize as ranhuras em V na chumaceira dianteira ⑪
 - coloque o botão D na posição de "0"
 - seleccione uma das 3 ranhuras em V**! experimente sempre primeiro num pedaço de material**

MANUTENÇÃO / SERVIÇO

- Mantenha a ferramenta e o fio sempre limpos (especialmente as ranhuras de respiração Q ②)
! desligar a ferramenta da fonte de corrente antes de limpar
- Se a ferramenta falhar apesar de cuidadosos processos de fabricação e de teste, a reparação deverá ser executada por uma oficina de serviço autorizada para ferramentas eléctricas SKIL
 - envie a ferramenta **sem desmontar**, juntamente com a prova de compra, para o seu revendedor ou para o centro de assistência SKIL mais próximo (os endereços assim como a mapa de peças da ferramenta estão mencionados no www.skilmasters.com)

AMBIENTE

- **Não deite ferramentas eléctricas, acessórios e embalagem no lixo doméstico** (apenas para países da UE)
 - de acordo com a directiva europeia 2012/19/CE sobre ferramentas eléctricas e electrónicas usadas e a transposição para as leis nacionais, as ferramentas eléctricas usadas devem ser recolhidas em separado e encaminhadas a uma instalação de reciclagem dos materiais ecológica
 - símbolo ⑫ lhe avisará em caso de necessidade de arranjar-las

DECLARAÇÃO DE CONFORMIDADE CE

- Declaramos sob nossa exclusiva responsabilidade que o produto descrito em "Dados técnicos" cumpre as seguintes normas ou documentos normativos: EN 60745, EN 61000, EN 55014, conforme as disposições das directivas 2004/108/CE, 2006/42/CE, 2011/65/UE
- **Processo técnico em:** SKIL Europe BV (PT-SEU/ENG1), 4825 BD Breda, NL

Marijn van der Hoofden
Operations & Engineering

Olaf Dijkgraaf
Approval Manager

SKIL Europe BV, 4825 BD Breda, NL

23.12.2013

RUÍDO/VIBRAÇÕES

- Medido segundo EN 60745 o nível de pressão acústica desta ferramenta é 91 dB(A) e o nível de potência acústica 102 dB(A) (espaço de erro: 3 dB), e a vibração 6,9 m/s² (método braço-mão; incerteza K = 1,5 m/s²)
- O nível de emissão de vibrações foi medido de acordo com um teste normalizado fornecido na EN 60745; pode ser utilizado para comparar uma ferramenta com outra e como uma avaliação preliminar de exposição à vibração quando utilizar a ferramenta para as aplicações mencionadas

- utilizar a ferramenta para diferentes aplicações ou com acessórios diferentes ou mantidos deficientemente, pode **umentar** significativamente o nível de exposição
- o número de vezes que a ferramenta é desligada ou quando estiver a trabalhar sem fazer nada, pode **reduzir** significativamente o nível de exposição
- ! proteja-se contra os efeitos da vibração, mantendo a ferramenta e os acessórios, mantendo as mãos quentes e organizando os padrões de trabalho**

I

Pialla

1570

INTRODUZIONE

- Questo utensile serve per la piallatura di materiali del legno come travi e tavole; esso è adatto anche per la smussatura e la scanalatura
- Leggete e conservate questo manuale di istruzione ③

DATI TECNICI ①

ELEMENTI UTENSILE ②

- A Alloggiamento per la chiave
- B Bullone di fissaggio
- C Viti del blocco di taglio
- D Pomello per regolare la profondità di piallatura
- E Indicatore della profondità di piallatura
- F Orifizio d'uscita dei trucioli (sinistro/destro)
- G Commutatore dell'orifizio d'uscita dei trucioli
- H Adattatore per aspirapolvere
- J Sacchetto della polvere
- K Piedino d'appoggio
- L Interruttore di sicurezza
- M Interruttore di acceso/spento
- N Guida per la profondità della scanalatura
- P Guida parallela
- Q Feritoie di ventilazione

SICUREZZA

ISTRUZIONI GENERALI DI SICUREZZA

⚠ ATTENZIONE! Leggere tutte le avvertenze di pericolo e le istruzioni operative. In caso di mancato rispetto delle avvertenze di pericolo e delle istruzioni operative si potrà creare il pericolo di scosse elettriche, incendi e/o incidenti gravi. **Conservare tutte le avvertenze di pericolo e le istruzioni operative per ogni esigenza futura.** Il termine "elettroutensile" utilizzato nelle avvertenze di pericolo si riferisce ad utensili elettrici alimentati dalla rete (con linea di allacciamento) ed ad utensili elettrici alimentati a batteria (senza linea di allacciamento).

- 1) **SICUREZZA DELLA POSTAZIONE DI LAVORO**
 - a) **Mantenere pulito ed ordinato il posto di lavoro.** Il disordine o le zone di lavoro non illuminate possono essere fonte di incidenti.

- b) **Evitare d'impiegare l'utensile in ambienti soggetti al rischio di esplosioni nei quali si trovino liquidi, gas o polveri infiammabili.** Gli utensili elettrici producono scintille che possono far infiammare la polvere o i gas.
- c) **Mantenere lontani i bambini ed altre persone durante l'impiego dell'utensile elettrico.** Eventuali distrazioni potranno comportare la perdita del controllo sull'utensile.
- 2) SICUREZZA ELETTRICA**
- a) **La spina per la presa di corrente dovrà essere adatta alla presa. Evitare assolutamente di apportare modifiche alla spina. Non impiegare spine adattatrici assieme ad utensili con collegamento a terra.** Le spine non modificate e le prese adatte allo scopo riducono il rischio di scosse elettriche.
- b) **Evitare il contatto fisico con superfici collegate a terra, come tubi, riscaldamenti, cucine elettriche e frigoriferi.** Sussiste un maggior rischio di scosse elettriche nel momento in cui il corpo è messo a massa.
- c) **Custodire l'utensile al riparo dalla pioggia o dall'umidità.** L'eventuale infiltrazione di acqua in un utensile elettrico va ad aumentare il rischio d'insorgenza di scosse elettriche.
- d) **Non usare il cavo per scopi diversi da quelli previsti al fine di trasportare o appendere l'utensile, oppure di togliere la spina dalla presa di corrente. Mantenere l'utensile al riparo da fonti di calore, dall'olio, dagli spigoli o da pezzi in movimento.** I cavi danneggiati o aggrovigliati aumentano il rischio d'insorgenza di scosse elettriche.
- e) **Qualora si voglia usare l'utensile all'aperto, impiegare solo ed esclusivamente cavi di prolunga omologati per l'impiego all'esterno.** L'uso di un cavo di prolunga omologato per l'impiego all'esterno riduce il rischio d'insorgenza di scosse elettriche.
- f) **Qualora non fosse possibile evitare di utilizzare l'utensile in ambiente umido, utilizzare un interruttore di messa a terra.** L'uso di un interruttore di messa a terra riduce il rischio di una scossa elettrica.
- 3) SICUREZZA DELLE PERSONE**
- a) **È importante concentrarsi su ciò che si sta facendo e a maneggiare con giudizio l'utensile durante le operazioni di lavoro. Non utilizzare l'utensile in caso di stanchezza o sotto l'effetto di droghe, bevande alcoliche e medicinali.** Un attimo di distrazione durante l'uso dell'utensile potrà causare lesioni gravi.
- b) **Indossare sempre equipaggiamento protettivo individuale. Usare sempre protezioni per gli occhi.** Se si avrà cura d'indossare equipaggiamento protettivo individuale come la maschera antipolvere, la calzatura antidrucciolevole di sicurezza, il casco protettivo o la protezione dell'udito, a seconda dell'impiego previsto per l'utensile elettrico, si potrà ridurre il rischio di ferite.
- c) **Evitare l'accensione involontaria dell'utensile. Prima di collegarlo alla rete di alimentazione elettrica e/o alla batteria ricaricabile, prima di prenderlo oppure prima di iniziare a trasportarlo, assicurarsi che l'utensile sia spento.** Tenendo il dito sopra l'interruttore mentre si trasporta l'utensile oppure collegandolo all'alimentazione di corrente con l'interruttore inserito, si vengono a creare situazioni pericolose in cui possono verificarsi seri incidenti.
- d) **Togliere gli attrezzi di regolazione o la chiave inglese prima di accendere l'utensile.** Un utensile o una chiave inglese che si trovino in una parte dell'utensile in rotazione potranno causare lesioni.
- e) **È importante non sopravvalutarsi. Avere cura di mettersi in posizione sicura e di mantenere l'equilibrio.** In tale maniera sarà possibile controllare meglio l'utensile in situazioni inaspettate.
- f) **Indossare vestiti adeguati. Evitare di indossare vestiti lenti o gioielli. Tenere i capelli, i vestiti ed i guanti lontani da pezzi in movimento.** Vestiti lenti, gioielli o capelli lunghi potranno impigliarsi in pezzi in movimento.
- g) **Se sussiste la possibilità di montare dispositivi di aspirazione o di captazione della polvere, assicurarsi che gli stessi siano stati installati correttamente e vengano utilizzati senza errori.** L'utilizzo di un'aspirazione polvere può ridurre lo svilupparsi di situazioni pericolose dovute alla polvere.
- 4) MANEGGIO ED IMPIEGO ACCURATO DI UTENSILI ELETTRICI**
- a) **Non sovraccaricare l'utensile. Impiegare l'utensile elettrico adatto per sbrigare il lavoro.** Utilizzando l'utensile elettrico adatto si potrà lavorare meglio e con maggior sicurezza nell'ambito della gamma di potenza indicata.
- b) **Non utilizzare utensili elettrici con interruttori difettosi.** Un utensile elettrico che non si può più accendere o spegnere è pericoloso e dovrà essere riparato.
- c) **Prima di procedere ad operazioni di regolazione sull'utensile, prima di sostituire parti accessorie oppure prima di posare l'utensile al termine di un lavoro, estrarre sempre la spina dalla presa della corrente e/o estrarre la batteria ricaricabile.** Tale precauzione eviterà che l'utensile possa essere messo in funzione inavvertitamente.
- d) **Custodire gli utensili elettrici non utilizzati al di fuori della portata dei bambini. Non fare usare l'utensile a persone che non sono abituate ad usarlo o che non abbiano letto le presenti istruzioni.** Gli utensili elettrici sono pericolosi se utilizzati da persone inesperte.
- e) **Effettuare accuratamente la manutenzione dell'utensile. Verificare che le parti mobili dell'utensile funzionino perfettamente e non s'incepino, che non ci siano pezzi rotti o danneggiati al punto tale da limitare la funzione dell'utensile stesso. Far riparare le parti danneggiate prima d'impiegare l'utensile.** Numerosi incidenti vengono causati da utensili elettrici la cui manutenzione è stata effettuata poco accuratamente.
- f) **Mantenere affilati e puliti gli utensili da taglio.** Gli utensili da taglio curati con particolare attenzione e con taglienti affilati s'incepiscono meno frequentemente e sono più facili da condurre.
- g) **Utilizzare utensili elettrici, accessori, attrezzi, ecc. in conformità con le presenti istruzioni. Osservare le condizioni di lavoro ed il lavoro da eseguirsi durante l'impiego.** L'impiego di utensili elettrici per usi diversi da quelli consentiti potrà dar luogo a situazioni di pericolo.

5) ASSISTENZA

- a) **Fare riparare l'utensile solo ed esclusivamente da personale specializzato e solo impiegando pezzi di ricambio originali.** In tale maniera potrà essere salvaguardata la sicurezza dell'utensile.

ISTRUZIONI DI SICUREZZA PER PIALLI

NOTE GENERALI

- Questo utensile non dev'essere utilizzato da persone di età inferiore ai 16 anni
- Durante le operazioni di lavoro il livello di rumorosità può superare 85 dB(A); utilizzare le cuffie di protezione
- **Non lavorare mai materiali contenenti amianto** (l'amianto è ritenuto materiale cancerogeno)
- Le polveri di materiali come vernici contenenti piombo, alcune specie di legno, minerali e metallo possono essere nocive (il contatto con queste polveri o la loro inalazione possono causare reazioni allergiche e/o disturbi respiratori all'operatore o ad altre persone presenti sul posto); **indossare una maschera protettiva per la polvere e utilizzare un dispositivo per l'estrazione della polvere se è presente una presa di collegamento**
- Alcuni tipi di polvere sono classificati come cancerogeni (quali le polveri di quercia e faggio) specialmente se associate ad additivi per il trattamento del legno; **indossare una maschera protettiva per la polvere e utilizzare un dispositivo per l'estrazione della polvere se è presente una presa di collegamento**
- Rispettare le istruzioni nazionali riguardanti l'estrazione della polvere per i materiali in lavorazione
- La SKIL garantisce un perfetto funzionamento dell'utensile soltanto se vengono utilizzati accessori corretti che si possono ottenere presso il vostro negoziante
- Non usare l'utensile quando il cavo è danneggiato; farlo sostituire da personale qualificato
- **Staccate sempre la spina dell'utensile prima di effettuare regolazioni o cambiare gli accessori**

PRIMA DELL'USO

- Controllare che la tensione dell'alimentazione sia la stessa di quella indicata sulla targhetta dell'utensile (gli utensili con l'indicazione di 230V o 240V possono essere collegati anche alla rete di 220V)
- Evitare possibili danneggiamenti da viti e chiodi sporgenti; rimuoverli prima di iniziare la lavorazione
- Prima di utilizzare l'utensile controllare che le lame non siano a contatto con nessuna cosa
- Usare cavi di prolunga completamente srotolati e sicure con una capacità di 16 Amp
- **Utilizzare morsetti o altre attrezzature per fissare e sostenere il pezzo di lavorazione a una piattaforma stabile** (tenere il pezzo in lavorazione in mano o stretto al corpo è instabile e può far perdere il controllo dell'utensile)

DURANTE L'USO

- **Tenere l'utensile elettrico dalle superfici di impugnatura isolate, perché le lame di taglio potrebbe entrare a contatto con il proprio cavo** (le lame di taglio che entrano a contatto con un filo sotto tensione possono trasferire tensione alle parti metalliche esposte dell'utensile elettrico e provocare una scossa elettrica all'operatore)

- Mantenere sempre il cavo distante dalle parti in movimento dell'utensile; spingere il cavo verso la parte posteriore, distante dall'utensile
- Tenere le dita distanti dalle lame rotative
- Nel caso di cattivo funzionamento elettrico o meccanico, spegnete subito l'utensile e staccate la spina
- Se durante un'operazione di lavoro viene danneggiato oppure troncato il cavo, non toccare il cavo ma estrarre immediatamente la spina dalla presa
- Se del truciolo dovesse rimanere bloccato nell'uscita, si consiglia di spegnere il motore, assicurarsi che tutte le parti mobili si sono arrestate completamente, staccare la spina e rimuovere il truciolo bloccato

DOPO L'USO

- **Attendere che il blocco di taglio si arresti prima di posare l'utensile** (una lama esposta potrebbe ingaggiare la superficie causando possibile perdita di controllo o lesioni gravi)

USO

- Cambio/inversione delle lame ④
Questa pialla è munita di lame non riaffilabile con bordi di taglio ad entrambi i lati; quindi se un lato diventa smussato, si può utilizzare l'altro lato
! spegnete l'utensile e togliete la spina dalla presa di corrente
 - rimuovere i dispositivi di guida, se montati
 - prendere la chiave dell'alloggiamento A
 - capovolgete l'utensile
 - allentare i 3 bulloni B con la chiave (non rimuovere i bulloni)
 - spingere fuori la lama dal blocco di taglio con un pezzo di legno
 - rimettere la lama nel blocco di taglio nella posizione inversa, oppure usarne una nuova**! la scanalatura sulla lama deve corrispondere alla sporgenza del blocco di taglio**
! entrambe le estremità della lama devono sporgere in uguale distanza
! assicurarsi che l'estremità della lama X sia allineata con il bordo del piede (ponete un righello piatto contro la custodia come da illustrazione e usarlo come tappo)
 - serrare con fermezza i 3 bulloni B con la chiave inglese**! cambiare/invertire le lame in tempo; utilizzare solamente lame affilate**
! cambiare/invertire sempre entrambe le lame allo stesso tempo
! non tentare di regolare le lame con le viti C del blocco di taglio, che sono già impostate in fabbrica
- Regolazione della profondità di piallatura (0-3 mm) ⑤
 - girare il pomello D per selezionare
 - utilizzare la linea di indicazione E come riferimento
 - selezionare sempre una profondità di piallatura piuttosto superficiale e ripetere la piallatura ed il processo di regolazione fino a raggiungere la profondità richiesta
- Orifizio d'uscita dei trucioli ⑥
 - mediante il commutatore G selezionare l'orifizio d'uscita dei trucioli (sinistro o destro)
 - mediante l'adattatore H connettere l'aspiratore all'orifizio d'uscita dei trucioli selezionato, come da illustrazione

- si può pure connettere il sacco per la polvere J all'orifizio d'uscita dei trucioli selezionato, come da illustrazione
- ! **non tentare di rimuovere eventuali ostruzioni dall'orifizio d'uscita dei trucioli mentre le lame stanno ruotando**
- Piedino d'appoggio K ⑦
 - protegge il pezzo di lavorazione da danni quando l'utensile viene messo da parte
 - si ripiega automaticamente all'indietro durante la piallatura
- Uso dell'utensile
 - regolare la profondità di piallatura
 - collocare l'utensile sul pezzo di lavorazione
 - ! **assicurarsi che soltanto il piedino frontale sia poggiato sul pezzo di lavorazione**
 - accendere l'utensile prima premendo il pomello L ② (= interruttore di sicurezza che non può essere bloccato) e poi schiacciando l'interruttore M ②
 - ! **prima che le lame raggiungano il pezzo di lavorazione, l'utensile dovrebbe funzionare a piena velocità**
 - tenere l'utensile con fermezza con entrambe le mani e guidarlo in avanti in una corsa continua
 - ! **durante la lavorazione, impugnare l'utensile sempre in corrispondenza della(e) area(e) grigia(e) ⑧**
 - utilizzare l'utensile con la piastra di base sul pezzo di lavorazione
 - non inclinare l'utensile per evitare segni indesiderati di piallatura
 - tenere scoperte le feritoie di ventilazione Q ②
 - ! **prima di spegnere l'utensile, dovreste sollevarlo dal pezzo di lavorazione**
 - spegnere l'utensile rilasciando l'interruttore M
- Per piallare scanalature ⑨
 - selezionare la profondità di passata richiesta
 - regolare la profondità della scanalatura utilizzando la guida N per la profondità della scanalatura
 - collocare l'utensile sul pezzo di lavorazione
 - iniziare la lavorazione
 - larghezza della scanalatura massima 82 mm
 - profondità della scanalatura massima 15 mm
- Eseguendo una scanalatura ottenete migliori risultati con la guida parallela P per regolare la larghezza della scanalatura ⑩

CONSIGLIO PRATICO

- Per smussare gli angoli, impiegare le scanalature a V nel piedino frontale ⑪
 - spostate il pomello D nella posizione di "0"
 - selezionare una delle 3 scanalature a V
 - ! **effettuate sempre una prova su un pezzo di materiale di scarto**

MANUTENZIONE / ASSISTENZA

- Tenete sempre puliti utensile e cavo (soprattutto le feritoie di ventilazione Q ②)
 - ! **prima di pulire estrarre la spina dalla presa**
- Se nonostante gli accurati procedimenti di produzione e di controllo l'utensile dovesse guastarsi, la riparazione va fatta effettuare da un punto di assistenza autorizzato per gli elettrotensili SKIL

- inviare l'utensile **non smontato** assieme alle prove di acquisto al rivenditore oppure al più vicino centro assistenza SKIL (l'indirizzo ed il disegno delle parti di ricambio dell'utensile sono riportati su www.skilmasters.com)

TUTELA DELL'AMBIENTE

- **Non gettare l'utensile elettrico, gli accessori e l'imballaggio tra i rifiuti domestici** (solo per paesi UE)
 - secondo la Direttiva Europea 2012/19/CE sui rifiuti di utensili elettrici ed elettronici e la sua attuazione in conformità alle norme nazionali, gli utensili elettrici esausti devono essere raccolti separatamente, al fine di essere reimpiegati in modo eco-compatibile
 - il simbolo ⑫ vi ricorderà questo fatto quando dovreste eliminarlo

DICHIARAZIONE DEI CONFORMITÀ CE

- Assumendone la piena responsabilità, dichiariamo che il prodotto descritto nei "Dati tecnici" è conforme alle seguenti normative ed ai relativi documenti: EN 60745, EN 61000, EN 55014 in base alle prescrizioni delle direttive 2004/108/EG, 2006/42/EG, 2011/65/UE
- **Fascicolo tecnico presso:** SKIL Europe BV (PT-SEU/ENG1), 4825 BD Breda, NL

Marijn van der Hoofden Olaf Dijkgraaf
Operations & Engineering Approval Manager




SKIL Europe BV, 4825 BD Breda, NL

23.12.2013

RUMOROSITÀ/VIBRAZIONE

- Misurato in conformità al EN 60745 il livello di pressione acustica di questo utensile è 91 dB(A) ed il livello di potenza acustica 102 dB(A) (deviazione standard: 3 dB), e la vibrazione 6,9 m/s² (metodo mano-braccio; incertezza K = 1,5 m/s²)
- Il livello di emissioni delle vibrazioni è stato misurato in conformità a un test standardizzato stabilito dalla norma EN 60745; questo valore può essere utilizzato per mettere a confronto un utensile con un altro o come valutazione preliminare di esposizione alla vibrazione quando si impiega l'utensile per le applicazioni menzionate
 - se si utilizza l'utensile per applicazioni diverse, oppure con accessori differenti o in scarse condizioni, il livello di esposizione potrebbe **aumentare** notevolmente
 - i momenti in cui l'utensile è spento oppure è in funzione ma non viene effettivamente utilizzato per il lavoro, possono contribuire a **ridurre** il livello di esposizione
 - ! **protegersi dagli effetti della vibrazione effettuando la manutenzione dell'utensile e dei relativi accessori, mantenendo le mani calde e organizzando i metodi di lavoro**

BEVEZETÉS

- Ez a készülék például rögzített gerendák és falapok gyalulására is szolgál; a készülék sarkok hornyolására és horonygyalulására alkalmazható
- Olvassa el figyelmesen és őrizze meg a használati utasítást ③

MŰSZAKI ADATOK ①

SZERSZÁMGÉP ELEMEI ②

- A Kulcs tartója
- B Biztosítócsavar
- C Késtengely csavarok
- D Gyalulási mélységet beállító gomb
- E Gyalukés fogási mélységének jelző
- F Forgács-kivezető (jobb/bal)
- G Forgács-kivezető kapcsolója
- H Porszívó illesztőegység
- J Porzsák
- K Parkoló talp
- L Biztonsági kapcsoló
- M Be/ki kapcsológomb
- N Horonymélység-űtköző
- P Vezetőléc
- Q Szellőzőnyílások

BIZTONSÁG

ÁLTALÁNOS BIZTONSÁGI ELŐÍRÁSOK

FIGYELEM! Olvassa el az összes biztonsági figyelmeztetést és előírást. A következőkben leírt előírások betartásának elmulasztása áramütésekhez, tűzhöz és/vagy súlyos testi sérülésekhez vezethet. **Kérjük a későbbi használatra gondosan őrizze meg ezeket az előírásokat.** Az alább alkalmazott elektromos kéziszerszám fogalom a hálózati elektromos kéziszerszámokat (hálózati csatlakozó kábellel) és az akkumulátoros elektromos kéziszerszámokat (hálózati csatlakozó kábel nélkül) foglalja magában.

1) MUNKAHELYI BIZTONSÁG

- Tartsa tisztán és tartsa rendben a munkahelyét.** Rendetlen munkahelyek vagy megvilágítatlan munkaterületek balesetekhez vezethetnek.
- Ne dolgozzon az elektromos kéziszerszámmal olyan robbanásveszélyes környezetben, ahol éghető folyadékok, gázok vagy porok vannak.** Az elektromos kéziszerszámok szikrákat bocsáthatnak ki, amelyek meggyújthatják a port vagy a gőzöket.
- Tartsa távol a gyerekeket és az idegen személyeket a munkahelytől, ha az elektromos kéziszerszámot használja.** Ha elvonják a figyelmét a munkától, könnyen elvesztheti az uralmát a berendezés felett.

2) ELEKTROMOS BIZTONSÁGI ELŐÍRÁSOK

- A készülék csatlakozó dugójának bele kell illeszkednie a dugaszolóaljzatba. A csatlakozó dugót semmilyen módon sem szabad megváltoztatni. Védőföldeléssel ellátott készülékekkel kapcsolatban ne használjon csatlakozó adaptert.** A változtatás nélküli csatlakozó dugók és a megfelelő dugaszoló aljzatok csökkentik az áramütés kockázatát.
 - Ne érjen hozzá földelt felületekhez, mint csövekhez, fűtőtestekhez, kályhákhoz és hűtőszekrényekhez.** Az áramütési veszély megnövekszik, ha a teste le van földelve.
 - Tartsa távol az elektromos kéziszerszámot az esőtől és a nedvesség hatásaitól.** Ha víz hatol be egy elektromos kéziszerszámba, ez megnöveli az áramütés veszélyét.
 - Ne használja a kábelt a rendeltetésétől eltérő célokra, vagyis a szerszámot soha ne hordozza vagy akassza fel a kábelnél fogva, és soha ne húzza ki a hálózati csatlakozó dugót a kábelnél fogva. Tartsa távol a kábelt hőforrásoktól, olajtól, éles élektől, sarkaktól és mozgó gépalkatrészekről.** Egy megrongálódott vagy csomókkal teli kábel megnöveli az áramütés veszélyét.
 - Ha egy elektromos kéziszerszámmal a szabad ég alatt dolgozik, csak a szabadban való használatra engedélyezett hosszabbítót használjon.** A szabadban való használatra engedélyezett hosszabbító használata csökkenti az áramütés veszélyét.
 - Ha nem lehet elkerülni az elektromos kéziszerszám nedves környezetben való használatát, alkalmazzon egy földzárlat megszakítót.** Egy földzárlat megszakító alkalmazása csökkenti az áramütés kockázatát.
- #### 3) SZEMÉLYI BIZTONSÁGI ELŐÍRÁSOK
- Munka közben mindig figyeljen, ügyeljen arra, amit csinál, és meggondoltan dolgozzon az elektromos kéziszerszámmal.** Ha fáradt, ha kábítószerek vagy alkohol hatása alatt áll, vagy orvosságokat vett be, ne használja a berendezést. A berendezéssel végzett munka közben már egy pillanatrai figyelmetlenség is komoly sérülésekhez vezethet.
 - Viseljen személyi védőfelszerelést és mindig viseljen védőszemüveget.** A személyi védőfelszerelések, mint porvédő álarc, csúszásbiztos védőcipő, védősapka és fülvédő használata az elektromos kéziszerszám használata jellegének megfelelően csökkenti a személyes sérülések kockázatát.
 - Kerülje el a készülék akaratlan üzembe helyezését. Győződjön meg arról, hogy az elektromos kéziszerszám ki van kapcsolva, mielőtt bedugná a csatlakozó dugót a dugaszolóaljzatba, csatlakoztatná az akkumulátor-csomagot, és mielőtt felvenné és vinni kezdené az elektromos kéziszerszámot.** Ha az elektromos kéziszerszám felemelése közben az újít a kapcsolón tartja, vagy ha a készüléket bekapcsolt állapotban csatlakoztatja az áramforráshoz, ez balesetekhez vezethet.
 - Az elektromos kéziszerszám bekapcsolása előtt okvetlenül távolítsa el a beállító szerszámokat vagy csavarkulcsokat.** Az elektromos kéziszerszám forgó

részeiben felejtett beállító szerszám vagy csavarkulcs sérüléseket okozhat.

- e) **Ne bec sülje túl önmagát. Kerülje el a normálistól eltérő testtartást, ügyeljen arra, hogy mindig biztosan álljon és az egyensúlyát megtartsa.** Így az elektromos kéziszerszám felett váratlan helyzetekben is jobban tud uralkodni.
 - f) **Viseljen megfelelő ruhát. Ne viseljen bő ruhát vagy ékszereket. Tartsa távol a haját, a ruháját és a kesztyűjét a mozgó részekről.** A bő ruhát, az ékszereket és a hosszú haját a mozgó alkatrészek magukkal rántathatják.
 - g) **Ha az elektromos kéziszerszámra fel lehet szerelni a por elszívásához és összegyűjtéséhez szükséges berendezéseket, ellenőrizze, hogy azok megfelelő módon hozzá vannak kapcsolva a készülékhez és rendeltetésüknek megfelelően működnek.** A porgyűjtő berendezések használata csökkentheti a munka során keletkező por veszélyes hatását.
- #### 4) AZ ELEKTROMOS KÉZISZERSZÁMOK GONDOS KEZELÉSE ÉS HASZNÁLATA
- a) **Ne terhelje túl az elektromos kéziszerszámot. A munkájához csak az arra szolgáló elektromos kéziszerszámmal a megadott teljesítménytartományon belül jobban és biztonságosabban lehet dolgozni.**
 - b) **Ne használjon olyan elektromos kéziszerszámot, amelynek a kapcsolója elromlott.** Egy olyan elektromos kéziszerszám, amelyet nem lehet sem be-, sem kikapcsolni, veszélyes és meg kell javíttatni.
 - c) **Húzza ki a csatlakozó dugót a dugaszolóaljzatból és/vagy az akkumulátor-csomagot az elektromos kéziszerszámból, mielőtt az elektromos kéziszerszámon beállítási munkákat végez, tartozékokat cserél vagy a szerszámot tárolásra elteszi.** Ez az elővigyázatossági intézkedés meggátolja a szerszám akaratlan üzembe helyezését.
 - d) **A használaton kívüli elektromos kéziszerszámokat olyan helyen tárolja, ahol azokhoz gyerekek ne férhess nek hozzá. Ne hagyja, hogy olyan személyek használják az elektromos kéziszerszámot, akik nem ismerik a szerszámot, vagy nem olvasták el ezt az útmutatót.** Az elektromos kéziszerszámok veszélyesek, ha azokat gyakorlatlan személyek használják.
 - e) **A készüléket gondosan ápolja. Ellenőrizze, hogy a mozgó alkatrészek kifogástalanul működnek-e, nincsenek-e beszorulva, és nincsenek-e eltörve vagy megrongálódva olyan alkatrészek, amelyek hatással lehetnek az elektromos kéziszerszám működésére. A megrongálódott részeket a készülék használata előtt javíttassa meg.** Sok olyan baleset történik, amelyet az elektromos kéziszerszám nem kielégítő karbantartására lehet visszavezetni.
 - f) **Tartsa tisztán és éles állapotban a vágószerszámokat.** Az éles vágóélekkel rendelkező és gondosan ápolít vágószerszámok ritkábban ékelődnek be és azokat könnyebben lehet vezetni és irányítani.
 - g) **Az elektromos kéziszerszámokat, tartozékokat, betétszerszámokat stb. csak ezen előírásoknak használja. Vegye figyelembe a munkafeltételeket és a kivitelezendő munka sajátosságait. Az elektromos**

kéziszerszám eredeti rendeltetésétől eltérő célokra való alkalmazása veszélyes helyzetekhez vezethet.

5) SZERVIZ

- a) **Az elektromos kéziszerszámot csak szakképzett személyzet és csak eredeti pótalkatrészek felhasználásával javíthatja.** Ez biztosítja, hogy az elektromos kéziszerszám biztonságos szerszám maradjon.

BIZTONSÁGI ELŐÍRÁSOK GYALUKHOZ

ÁLTALÁNOS TUDNIVALÓK

- A készüléket csak 16 éven felüli személyek használják
- Munka közben a zaj meghaladhatja a 85 dB(A); használjon fülvédőt
- **Ne munkáljon meg a berendezéssel azbeszтет tartalmazó anyagokat** (az azbeszтnek rákkeltő hatása van)
- Az anyagból származó por (mint például az ólomot, néhány fafajtát, ásványi anyagokat és fémeket tartalmazó festékek) káros lehet (a por érintése vagy belégzése allergiás reakciókat és/vagy légzőszervi betegségeket okozhat a kezelő, illetve a közelben állók esetében); **viseljen pormaszkot és amennyiben csatlakoztatható, dolgozzon porszívó berendezéssel**
- Bizonyos porfajták rákkeltő besorolással rendelkeznek (ilyen például a tölgy- és a bükkfa pora), különösen a fa kondicionálására szolgáló adalékokkal együtt; **viseljen pormaszkot és amennyiben csatlakoztatható, dolgozzon porszívó berendezéssel**
- Kövesse a por kezelésével kapcsolatos helyi előírásokat azon termékkel kapcsolatban, amellyel dolgozni kíván
- A SKIL cég kizárólag eredeti alkatrészek és kiegészítők alkalmazása esetén tudja garantálni a gép problémamentes működését, melyek a SKIL-márkakereskedőknél kaphatók
- Soha ne használja a szerszámot ha a kábel sérült; cseréltesse ki szakértő által
- **Mindig húzza ki a dugaszolóaljzatot mielőtt tartozékokat cserélne vagy bármit változtatna a gép beállításán**

HASZNÁLAT ELŐTT

- Mindig ellenőrizze, hogy a hálózati feszültség megegyezik-e a gép adattábláján feltüntetett értékkel (a 230V vagy 240V jelzésű gépek 220V feszültségre is csatlakoztathatók)
- Ügyeljen arra, hogy a munkadarabban lévő csavar, szög vagy hasonló sérüléseket ne okozhasson; a munka megkezdése előtt eltávolítandó
- Mielőtt használná a szerszámot, ellenőrizze, hogy a kések sehol sem érnek hozzá az anyaghoz
- Használjon teljesen letekert és biztonságos hosszabbítókábel, 16 A-es teljesítménnyel
- **Szorítóval vagy más praktikus módon rögzítse, és támassza meg a munkadarabot egy stabil tartóállványon** (ha csak a kezével tartja vagy a testéhez szorítja a munkadarabot, elveszítheti a stabilitást, valamint az uralmat a gép felett)

HASZNÁLAT KÖZBEN

- **Az elektromos kéziszerszámot csak a szigetelt fogantyúfelületeknél fogja meg, mert a vágó rész elérheti a készülék saját hálózati vezetékét** (ha az

elektromos kéziszerszám elvág egy feszültség alatt álló vezetékot, a fémrészei szintén feszültség alá kerülnek, ami áramütéshez vezet)

- A gép mozgó részétől mindig tartsa távol az elektromos kábelt; terelje a tápkábelt a gép hátulja felé, a géptől elfelé
- Ujjait tartsa távol a forgó késektől
- Normálistól eltérő működés valamint szokatlan, idegen hangok esetén a készüléket azonnal kapcsolja ki és a kábelt húzza ki a fali dugaszoló aljzatból
- Ha a kábel munka közben megsérül vagy el van vágva, ne érjen a kábelhoz, hanem azonnal húzza ki a konektorból
- Ha a forgácsolóvezetőbe beszorul a forgács, ki kell kapcsolni a motort, meg kell várni, amíg a szerszám minden mozgó része teljes nyugalmi állapotba kerül, ezután ki kell húzni a csatlakozódugót, végül pedig el kell távolítani a beszorult forgácsot

A HASZNÁLATOT KÖVETŐEN

- **Mielőtt letenné a szerszámot, várja meg, hogy a késtengely megálljon** (a szabadon álló kés beakadhat a fafelületbe, minek következtében elveszítheti az irányítást a gép felett és komoly sérüléseket szenvedhet)

KEZELÉS

- Kések cseréje ill. megfordítása ④
Ez a gyalu olyan kopásálló késekkel van ellátva, melyek mindkét oldalukon rendelkeznek vágóélel; így ha az egyik oldal élettelené válik, a másik még használható
! kapcsolja ki a gépet és húzza ki a csatlakozódugót
 - távolítsa el a vezetőt, amennyiben az fel volt szerelve
 - vegye ki a kulcsot a tartóból A
 - a gépet fordítsa fel
 - a kulccsal lazítson ki 3 csavart B (de ne távolítsa el azokat)
 - tolja ki egy darab fa segítségével a késtengelyből a kést
 - helyezze vissza a kést fordított állásban, vagy cserélje ki egy újra**! a késben levő bemetszésnek érintkeznie kell a késtengely széleivel**
! mindkét kés vége egyformán kell, hogy kiálljon
! győződjön meg róla, hogy a kés végén lévő X egy vonalban van a talp szélével (fektessen egy vonalzót a ház felé az illusztráció szerint és használja ütközőként)
 - szorosan húzza meg a 3 csavart B a kulccsal**! időben cserélje ki vagy fordítsa meg a késeket; csak éles késeket használjon**
! mindig ugyanakkor cserélje ki vagy fordítsa meg mindkét kést
! olyan késtengely csavarokkal C, amelyeket a gyárban előre beállítottak ne próbálja megigazítani a késeket
- Fogási mélység beállítása (0-3 mm) ⑤
 - fordítsa el a D gombot ezzel kiválasztva a kívánt mélységet
 - tájékoztatásképpen használja a fogási mélységet jelző vonalat E
 - mindig sekély fogási mélységet válasszon és mindaddig ismétlje a gyalulót ill. beállító folyamatokat, míg a kívánt mélységet el nem éri

- Forgács-kivezető ⑥
 - válassza ki a kívánt forgács-kivezető (jobb vagy bal) oldalat kapcsolóval G
 - csatlakoztassa az adapteres porszívót H a forgács-kivezető ábarzolt módon történő kiválasztásához
 - lehetőség van a porzsák J csatlakoztatására is a forgács-kivezető ábarzolt módon történő kiválasztásához**! semmilyen eltömődést ne próbáljon meg eltávolítani a forgácskivető nyílásból addig, amíg a kések forgásban vannak**
- Parkoló talp K ⑦
 - vigyázzon, hogy a munkadarab ne sérüljön meg, amikor a gépet leteszi mellé
 - gyalulás közben automatikusan visszahajlik
- A gép üzemeltetése
 - állítsa be a fogási mélységet
 - a készülék a munkadarabra illeszkedik**! bizonyosodjon meg arról, hogy az első talp a munkadarabon nyugszik és hogy a kések nem érintkeznek vele**
 - először kapcsolja be a gépet a nyomógommbal L ② (= biztonsági kapcsoló, amelyet nem lehet lezárni) és ezután húzza meg a kioldózárát M ②**! mielőtt a kések hozzáérnének a munkadarabhoz, a gépet teljes sebességre kell kapcsolni**
 - mindkét kezével tartsa erősen a gépet és egyenes tempóban vezesse előre**! munka közben mindvégig tartsa gépet a szürke színű markolati terület(ek)en ⑧**
 - úgy használja a gépet, hogy a talplemez a munkadarabon nyugszik
 - a nemkívánt gyalulási nyomok elkerülése végett ne döntse meg a gépet
 - a szellőzőnyílásokat Q ② mindig tartsa szabadon**! kikapcsolás előtt készülékét távolítsa el a munkadarabtól**
 - kapcsolja ki a gépet a M kioldózár segítségével
- Simító horony ⑨
 - a kívánt mélység beállítása
 - a horonymélységet az N horonymélység-ütközővel állítsuk be
 - a készülék a munkadarabra illeszkedik
 - így már kezdheti is a munkálatokat a gyaluval
 - max. horony szélesség 82 mm
 - max. horony mélység 15 mm
- Horonygyalulásnál lehet jobb eredményt elérni, a horonyszélességet pedig az oldalvezetővel P lehet beállítani ⑩

HASZNÁLAT

- Sarkok hornyolásához használja az első saruban lévő V-bevágást ⑪
 - állítsuk a D gombot "0"-állásba
 - válassza ki a 3 V-bevágás egyikét**! hulladék anyagon próbálja ki a munka megkezdése előtt**

KARBANTARTÁS / SZERVIZ

- Mindig tartsa tisztán a gépet és a vezetéket (különös tekintettel a szellőzőnyílásokra Q (2))
- ! **tisztítás előtt húzza ki a csatlakozódugót**
- Ha a gép a gondos gyártási és ellenőrzési eljárás ellenére egyszer mégis meghibásodna, akkor a javítással csak SKIL elektromos kéziszerszám-műhely ügyfélszolgálatát szabad megbízni
 - küldje az **összeszerelt** gépet a vásárlást bizonyító számlával együtt a kereskedő vagy a legközelebbi SKIL szervizállomás címére (a címlista és a gép szervizdiagramja a www.skilmasters.com címen található)

KÖRNYEZET

- **Az elektromos kéziszerszámokat, tartozékokat és csomagolást ne dobja a háztartási szemétkébe** (csak EU-országok számára)
 - a használt villamos és elektronikai készülékekről szóló 2012/19/EK irányelv és annak a nemzeti jogba való átültetése szerint az elhasznált elektromos kéziszerszámokat külön kell gyűjteni, és környezetbarát módon újra kell hasznosítani
 - erre emlékeztet a 12 jelzés, amennyiben felmerül az intézkedésre való igény

MEGFELELŐSÉGI NYILATKOZAT C E

- Egyedüli felelőséggel kijelentjük, hogy a "Műszaki adatok" alatt leírt termék megfelel a következő szabványoknak, illetve irányadó dokumentumoknak: EN 60745, EN 61000, EN 55014 a 2004/108/EK, 2006/42/EK, 2011/65/EU irányelveknek megfelelően
- **A műszaki dokumentáció a következő helyen található:** SKIL Europe BV (PT-SEU/ENG1), 4825 BD Breda, NL

Marijn van der Hoofden
Operations & Engineering

Olaf Dijkgraaf
Approval Manager

SKIL Europe BV, 4825 BD Breda, NL

23.12.2013

ZAJ/REZGÉS

- Az EN 60745 alapján végzett mérések szerint ezen készülék hangnyomás szintje 91 dB(A) a hangteljesítmény szintje 102 dB(A) (normál eltérés: 3 dB), a rezgésszám 6,9 m/s² (kézre-ható érték; szórás K = 1,5 m/s²)
- A rezgés-kibocsátási szint mérése az EN 60745 szabványban meghatározott szabványosított teszttel összhangban történt; ez egy eszköznek egy másik eszközzel történő összehasonlítására, illetve a rezgésnek való kitétség előzetes felmérésére használható fel az eszköznek az említett alkalmazásokra történő felhasználása során

- az eszköznek eltérő alkalmazásokra, vagy eltérő, illetve rosszul karbantartott tartozékokkal történő felhasználása jelentősen **emelheti** a kitétség szintjét
- az idő, amikor az eszköz ki van kapcsolva, vagy amikor ugyan működik, de ténylegesen nem végez munkát, jelentősen **csökkentheti** a kitétség szintjét
- ! **az eszköz és tartozékai karbantartásával, kezelemelgetésével, és munkavégzésének megszervezésével védje meg magát a rezgések hatásaitól**

CZ

Hoblík

1570

ÚVOD

- Toto nářadí je určeno k hoblování dřevěných materiálů jako jsou trámy a prkna; je také vhodné ke srážení hran a drážkování
- Tento návod s pokyny si pečlivě přečtěte a uschovejte (3)

TECHNICKÁ DATA (1)

SOUČÁSTI NÁSTROJE (2)

- A Zásobník na klíč
- B Upínací šroub
- C Nožová hlava šrouby
- D Seřizovač hloubky hoblování
- E Indikátor hloubky hoblování
- F Odvod pilin (vlevo/vpravo)
- G Přepínač odvodu pilin
- H Adaptér vysavače
- J Prachový sáček
- K Parkovací botka
- L Bezpečnostní spínač
- M Spínač "zapnuto/vypnuto"
- N Volič hloubky drážkovací
- P Paralelní doraz
- Q Větrací šterbiny

BEZPEČNOST

VŠEOBECNÉ BEZPEČNOSTNÍ PŘEDPISY

⚠ POZOR! Čtěte všechna varovná upozornění a pokyny. Zanedbání při dodržování varovných upozornění a pokynů mohou mít za následek úder elektrickým proudem, požár a/nebo těžká poranění. **Všechna varovná upozornění a pokyny do budoucna uschovejte.** Ve varovných upozorněních použitý pojem "elektronářadí" se vztahuje na elektronářadí provozované na el. síti (se síťovým kabelem) a na elektronářadí provozované na akumulátoru (bez síťového kabelu).

1) BEZPEČNOST PRACOVNÍHO MÍSTA

- a) **Udržujte Vaše pracovní místo čisté a uklizené.**
Nepořádek nebo neosvětlené pracovní oblasti mohou vést k úrazům.
- b) **Se strojem nepracujte v prostředích ohrožených explozí, kde se nacházejí hořlavé kapaliny, plyny**

nebo prach. Elektronářadí vytváří jiskry, které mohou prach nebo páry zapálit.

- c) **Děti a jiné osoby udržujte při použití elektronářadí daleko od Vašeho pracovního místa.** Při rozptýlení můžete ztratit kontrolu nad strojem.
- 2) **ELEKTRICKÁ BEZPEČNOST**
 - a) **Připojovací zástrčka stroje musí lícovat se zásuvkou. Zástrčka nesmí být žádným způsobem upravena. Společně se stroji s ochranným uzemněním nepoužívejte žádné adaptérové zástrčky.** Neupravené zástrčky a vhodné zásuvky snižují riziko elektrického úderu.
 - b) **Zabraňte kontaktu těla s uzemněnými povrchy, jako např. potrubí, topení, sporáky a chladničky.** Je-li Vaše tělo uzemněno, existuje zvýšené riziko elektrického úderu.
 - c) **Chraňte stroj před deštěm a vlhkem.** Vniknutí vody do elektrického stroje zvyšuje nebezpečí elektrického úderu.
 - d) **Dbejte na účel kabelu, nepoužívejte jej k nošení či zavěšení stroje nebo vytažení zástrčky ze zásuvky. Udržujte kabel daleko od tepla, oleje, ostrých hran nebo pohyblivých dílů stroje.** Poškozené nebo spletené kabely zvyšují riziko elektrického úderu.
 - e) **Pokud pracujete s elektronářadím venku, použijte pouze takové prodlužovací kabely, které jsou schváleny i pro venkovní použití.** Použití prodlužovacího kabelu, jež je vhodný pro použití venku, snižuje riziko elektrického úderu.
 - f) **Pokud se nelze vyhnout provozu elektronářadí ve vlhkém prostředí, použijte ochranný jistič.** Nasazení ochranného jističe snižuje riziko úderu elektrickým proudem.
- 3) **BEZPEČNOST OSOB**
 - a) **Buďte pozorní, dávejte pozor na to, co děláte a přistupujte k práci s elektronářadím rozumně. Stroj nepoužívejte pokud jste unavení nebo pod vlivem drog, alkoholu nebo léků.** Moment nepozornosti při použití elektronářadí může vést k vážným poraněním.
 - b) **Noste osobní ochranné pomůcky a vždy ochranné brýle.** Nošení osobních ochranných pomůcek jako maska proti prachu, bezpečnostní obuv s protiskluzovou podrážkou, ochranná přilba nebo sluchátka, podle druhu nasazení elektronářadí, snižují riziko poranění.
 - c) **Zabraňte neúmyslnému uvedení do provozu. Přesvědčte se, že je elektronářadí vypnuté dříve než jej uchopíte, poneseťe či připojíte na zdroj proudu a/ nebo akumulátor.** Máte-li při nošení elektronářadí prst na spínači nebo pokud stroj připojíte ke zdroji proudu zapnutý, pak to může vést k úrazům.
 - d) **Než stroj zapnete, odstraňte seřizovací nástroje nebo šroubovák.** Nástroj nebo klíč, který se nachází v otáčivém dílu stroje, může vést k poranění.
 - e) **Nepřeceňujte se. Zajištěte si bezpečný postoj a vždy udržujte rovnováhu.** Tím můžete stroj v neočekávaných situacích lépe kontrolovat.
 - f) **Noste vhodný oděv. Nenoste žádný volný oděv nebo šperky. Vlasý, oděv a rukavice udržujte daleko od pohybujících se dílů.** Volný oděv, šperky nebo dlouhé vlasý mohou být zachyceny pohybujícími se díly.
 - g) **Lze-li namontovat odsávací či zachycující přípravy, přesvědčte se, že jsou připojeny a správně použity.** Použití odsávání prachu může snížit ohrožení prachem.

4) SVĚDOMITĚ ZACHÁZENÍ A POUŽÍVÁNÍ ELEKTRONĀŘADÍ

- a) **Stroj nepřetěžujte. Pro svou práci použijte k tomu určený stroj.** S vhodným elektronářadím budete pracovat v udané oblasti výkonu lépe a bezpečněji.
- b) **Nepoužívejte žádné elektronářadí, jehož spínač je vadný.** Elektronářadí, které nelze zapnout či vypnout je nebezpečné a musí se opravit.
- c) **Než provedete seřizení stroje, výměnu dílů příslušenství nebo stroj odložíte, vytáhněte zástrčku ze zásuvky a/nebo odstraňte akumulátor.** Toto preventivní opatření zabrání neúmyslnému zapnutí stroje.
- d) **Uchovávejte nepoužívané elektronářadí mimo dosah dětí. Nenechte stroj používat osobám, které se strojem nejsou seznámeny nebo nečetly tyto pokyny.** Elektronářadí je nebezpečné, je-li používáno nezkušenými osobami.
- e) **Pečujte o stroj svědomitě. Zkontrolujte, zda pohyblivé díly stroje bezvadně fungují a nevzpřichují se, zda díly nejsou zlomené nebo poškozené tak, že je omezena funkce stroje. Poškozené díly nechte před nasazením stroje opravit.** Mnoho úrazů má příčinu ve špatně udržovaném elektronářadí.
- f) **Řezné nástroje udržujte ostré a čisté.** Pečlivě ošetřované řezné nástroje s ostrými řeznými hranami se méně vzpřichují a dají se lehceji vést.
- g) **Používejte elektronářadí, příslušenství, nasazovací nástroje apod. podle těchto pokynů. Respektujte přítom pracovní podmínky a prováděnou činnost.** Použití elektronářadí pro jiné než určující použití může vést k nebezpečným situacím.

5) SERVIS

- a) **Nechte Váš stroj opravit pouze kvalifikovaným odborným personálem a pouze s originálními náhradními díly.** Tím bude zajištěno, že bezpečnost stroje zůstane zachována.

BEZPEČNOSTNÍ PŘEDPISY PRO HOBLÍKY

OBEČNĚ

- Tento nástroj nesmí používat osoby mladší 16 let
- Hladina hluku může při práci přesáhnout 85 dB(A); vhodným prostředkem si chraňte udi
- **Nepracovávajte žádný materiál obsahující azbest** (azbest je karcinogenní)
- Prach z látek, jako jsou barvy obsahující olovo, některé druhy dřeva, minerály a kovy, může být škodlivý (kontakt s prachem nebo jeho vdechnutí může způsobit alergickou reakci a/nebo vyvolat respirační choroby u obsluhy nebo přihlížejících); **noste protiprachovou masku a pracujte se zařízením na odsávání prachu, pokud je možné jej připojit**
- Některé druhy prachu jsou klasifikovány jako karcinogenní (například dubový a bukový prach) zejména ve spojení s přísadami pro úpravu dřeva; **noste protiprachovou masku a pracujte se zařízením na odsávání prachu, pokud je možné jej připojit**
- Dodržujte stanovená nařízení pro práci v prašném prostředí
- SKIL zajistí bezchybnou funkci nářadí pouze tehdy, používáte-li odpovídající příslušenství, které obdržíte u svého prodejce SKIL

- Pila se nesmí používat, je-li její přívodní šňůra poškozená; nechte si je kvalifikovaným pracovníkem vyměnit
- **Před seřizováním, měněním pilových listů a příslušenství, vždy vytáhněte zástrčku nářadí z el. sítě**

PŘED POUŽITÍM

- Vždy zkontrolujte, zda je napájecí napětí stejné jako napětí uvedené na typovém štítku nástroje (nářadí určené k napájení 230V nebo 240V lze použít též v síti 220V)
- Vrtáčku nepoužívejte je-li navlhla a nepracujte v blízkosti snadno zápalných nebo výbušných materiálů; před zahájením práce je odstraňte
- Před použitím přístroje zkontrolujte, zda se nože nikde nedíou
- Používejte zcela rozvinuté a bezpečné prodlužovací šňůry o kapacitě 16 ampér
- **Pomocí svorek nebo jiným vhodným způsobem upevněte obráběný díl na stabilní podložku** (pokud jej budete při práci držet v ruce nebo opřený o tělo, bude nestabilní a můžete nad ním ztratit kontrolu)

BĚHEM POUŽITÍ

- **Držte elektronářadí na izolovaných uchopovacích plochách, protože nůž se může dotknout vlastního kabelu** (kontakt s vodičem "pod proudem" způsobí přenos proudu do neizolovaných částí nástroje a přivodí uživateli úraz)
- Šňůru udržujte vždy mimo dosah pohyblivých částí nástroje; šňůru nasměrujte dozadu, pryč od nástroje
- Nedávejte prsty do blízkosti rotujících nožů
- V případě atypického chování nebo cizích hluků ihned vypněte nářadí a vytáhněte zástrčku
- Jestliže přívodní šňůru při práci podkoďte nebo proříznete, nedotýkejte se jí a okamžitě ji vytáhněte ze síťové zásuvky
- Jestliže uvázne hoblina ve vývodu, vypněte motor a zkontrolujte, zda se všechny pohyblivé části zastavily, vytáhněte zástrčku a odstraňte uvázlou hoblinu

PO POUŽITÍ

- **Hoblovačku neodkládejte, dokud se nožová hlava zcela nezastaví** (nahé ostří se může zaseknout do povrchu a případně způsobit ztrátu kontroly přístroje a vážný úraz)

OBSLUHA

- Výměna/obrácení nožů ④
Tato hoblík je vybaven noži, které nelze sice nabrousit, ale mají ostří na obou stranách; jestliže se otupí jedna strana, můžete použít druhou
! vypněte nářadí a odpojte zástrčku
- sejměte vodička, jsou-li nasazená
- ze zásobníku A vyjměte klíč
- obraťte nářadí vzhůru nohama
- klíčem uvolněte 3 šrouby B (nevytahujte je)
- kouskem dřeva vysuňte nůž z nožové hlavy
- nasad'te nůž do nožové hlavy obráceně, nebo použijte nový nůž
! drážka v noži se musí vyrovnat s hranou nožové hlavy
! oba konce nože musejí vyčnívat stejně

! zajistěte, aby byl konec nože X vyrovnán s okrajem patky (pravítko nastavte naplocho proti krytu jak to ukazuje obrázek a použijte je jako zarážku)

- klíčem pevně utáhněte 3 šrouby B

! vyměňte/obraťte nože včas; pracujte pouze s ostrými noži

! vyměňte/obraťte vždy oba nože současně

! neseřizujte nožová hlava šrouby C, které jsou nastaveny v továrně

- Seřizování hloubky hoblování (0-3 mm) ⑤
 - požadovanou hloubku si zvolte otočením seřizovače D
 - použijte přítom indikační jako vodičko E
 - nejprve si vždy zvolte mělké hoblování a podle potřeby hoblování a seřizení opakujte až do požadované hloubky
- Odvod pilin ⑥
 - přepínačem G vyberte požadovanou stranu odvodu pilin (vlevo či vpravo)
 - připojte vysavač pomocí adaptéru H k vybranému odvodu pilin, jak je znázorněno
 - také se může k odvodu pilin připojit sáček na prach J, jak je ukázáno
- ! nepokoušejte se z odvodu pilin odstranit žádné překážky, pokud je hoblík zapnutý**
- Parkovací botka K ⑦
 - chrání obrobek před poškozením, jestliže přístroj odložíte
 - při hoblování se automaticky složí dozadu
- Použití nástroje
 - seříd'te si hloubku hoblování
 - umístěte nářadí na obrobek
- ! na obrobku musí spočívat pouze přední patka a nože se jej nesmějí dotýkat**
- zapněte přístroj nejprve stisknutím spínače L ② (= bezpečnostní spínač, který nelze zajistit) a poté stisknutím spouštěče M ②
- ! než se nože dotknou obrobku, musí přístroj běžet naplno**
- držte přístroj pevně oběma rukama a pohybujte jím plynule dopředu
- ! při práci vždy držte nástroj v šedě zabarvené oblasti rukojeti ⑧**
- při práci musí podkladní deska spočívat na obrobku
- nenaklánějte přístroj, jinak se na obrobku udělají nežádoucí rýhy
- udržujte větrací šterbiny Q ② nezakryté
- ! před vypnutím nářadí nejprve odejměte od obrobku**
- přístroj vypněte uvolněním spouštěče M
- Drážkování ⑨
 - nastavte požadovanou hloubku hoblování
 - nastavte hloubku drážkovací užitím voliče N
 - umístěte nářadí na obrobek
 - začněte hoblovat
 - maximální šířka drážkování je 82 mm
 - maximální hloubka drážkování je 15 mm
- Při drážkování můžete použít bočního dorazu P pro nastavení šířky drážkování ⑩

NÁVOD K POUŽITÍ

- Ke srážení hran používejte drážek ve tvaru "V" v přední patce (1)
- pákým D nastavit režim "0"
- zvolte jednu ze 3 drážek ve tvaru "V"
- ! **vždy nejprve proved'te zkoušku na očištěném kousku materiálu**

ÚDRŽBA / SERVIS

- Nástroj a přívodní šňůru udržujte čisté (zejména větrací štěrby Q (2))
- ! **před čištěním odpojte zástrčku**
- Pokud dojde i přes pečlivou výrobu a náročné kontroly k poruše nástroje, svěřte provedení opravy autorizovanému servisnímu středisku pro elektronářadí firmy SKIL
- zašlete nástroj **nerozebraný** spolu s potvrzením o nákupu své prodejné nebo nejbližšímu servisu značky SKIL (adresy a servisní schéma nástroje najdete na www.skilmasters.com)

ŽIVOTNÍ PROSTŘEDÍ

- **Elektrické nářadí, doplňky a balení nevyhazujte do komunálního odpadu** (jen pro státy EU)
- podle evropské směrnice 2012/19/EG o nakládání s použitými elektrickými a elektronickými zařízeními a odpovídajících ustanovení právních předpisů jednotlivých zemí se použitá elektrická nářadí, musí sbírat odděleně od ostatního odpadu a podrobit ekologicky šetrnému recyklování
- symbol (2) na to upozorňuje

PROHLÁŠENÍ O SHODĚ CE

- Prohlašujeme v plné naší zodpovědnosti, že v odstavci "Technická data" popsaný výrobek je v souladu s následujícími normami nebo normativními dokumenty: EN 60745, EN 61000, EN 55014, podle ustanovení směrnice 2004/108/ES, 2006/42/ES, 2011/65/EU
- **Technická dokumentace u:** SKIL Europe BV (PT-SEU/EN61), 4825 BD Breda, NL

Marijn van der Hoofden
Operations & Engineering

Olaf Dijkgraaf
Approval Manager

SKIL Europe BV, 4825 BD Breda, NL

23.12.2013

HLUČNOSTI/VIBRACÍ

- Měřeno podle EN 60745 činí tlak hlukové vlny tohoto přístroje 91 dB(A) a dávka hlučnosti 102 dB(A) (standardní odchylka: 3 dB), a vibrací 6,9 m/s² (metoda ruka-paže; nepřesnost K = 1,5 m/s²)
- Úroveň vibrací byla měřena v souladu se standardizovaným testem podle EN 60745; je možné ji použít ke srovnání jednoho přístroje s druhým a jako předběžné posouzení vystavování se vibracím při používání přístroje k uvedeným aplikacím

- používání přístroje k jiným aplikacím nebo s jiným či špatně udržovaným příslušenstvím může zásadně **zvýšit** úroveň vystavení se vibracím
- doba, kdy je přístroj vypnutý nebo kdy běží, ale ve skutečnosti není využíván, může zásadně **snížit** úroveň vystavení se vibracím
- ! **chráňte se před následky vibrací tak, že budete dbát na údržbu přístroje a příslušenství, budete si udržovat teplé ruce a uspořádáte si své pracovní postupy**

TR

Planya

1570

GİRİS

- Bu atletle ahsap yüzeylerin planyası için geliştirilmiştir; aynı zamanda kolayca köşeleri pahlar ve oluk açar
- Bu kullanma kılavuzunu okuyun ve saklayın (3)

TEKNİK VERİLER (1)

ALET BİLEŞENLERİ (2)

- A Anahtar için depo
- B Tespit civatası
- C Kesici bloktan vidalar
- D Planya derinliği ayarlama düğmesi
- E Planya derinliği göstergesi
- F Çip çıkışı (sol/sağ)
- G Çip çıkışı şalteri
- H Süpürge bağlantısı
- J Toz torbası
- K Park pabucu
- L Emniyet şalteri
- M Açma/kapama şalteri
- N Lamba derinlik mesnedi
- P Yan dayamak
- Q Havalandırma yuvaları

GÜVENLİK

GENEL GÜVENLİK TALİMATI

⚠ DİKKAT! Bütün uyarıları ve talimat hükümlerini okuyun. Açıklanan uyarılara ve talimat hükümlerine uyulmadığı takdirde elektrik çarpmalarına, yangınlara ve/veya ağır yaralanmalara neden olunabilir. **Bütün uyarıları ve talimat hükümlerini ileride kullanmak üzere saklayın.** Uyarı ve talimat hükümlerinde kullanılan "elektrikli el aleti" kavramı, akım şebekesine bağlı (şebeke bağlantı kablosu ile) aletlerle akü ile çalışan aletleri (akım şebekesine bağlantısı olmayan aletler) kapsamaktadır.

1) ÇALIŞMA YERİ GÜVENLİĞİ

- a) **Çalıştığınız yeri temiz ve düzenli tutun.** İşyerindeki düzensizlik veya yetersiz aydınlatma kazalara neden olabilir.
- b) **Yanıcı sıvıların, gazların veya tozların bulunduğu ortamlarda tehlikesi olan yer ve mekânlarda aletinizle çalışmayın.** Elektrikli el aletleri, toz veya buharların

tutuşmasına veya yanmasına neden olan kıvılcımlar çıkarılır.

- c) **Elektrikli el aletinizle çalışırken çocukları ve başkalarını çalışma alanınızın uzağında tutun.** Yakınızdaki bulunan kişiler dikkatinizi dağıtabilir ve bu da alet üzerindeki kontrolünüzü kaybetmenize neden olabilir.

2) ELEKTRİKSEL GÜVENLİK

- a) **Aletinizin bağlantı fişi prize uymalıdır. Fişi hiçbir şekilde değiştirmeyin. Koruyucu topraklamalı aletlerle adaptörlü fiş kullanmayın.** Değiştirilmemiş, orijinal fiş ve uygun prizler elektrik çarpmaya tehlikesini azaltır.
- b) **Borular, kalorifer tesisatı, ısıtıcılar ve buzdolapları gibi topraklanmış yüzeylerle bedensel temasa gelmekten kaçının.** Eğer bedeniniz topraklanacak olursa yüksek bir elektrik çarpmaya tehlikesi ortaya çıkar.
- c) **Aletinizi yağmur ve nemden koruyun.** Elektrikli el aletinin içine suyun sızması elektrik çarpmaya tehlikesini yükseltir.
- d) **Kabloyu kendi amacı dışında kullanmayın; örneğin aleti kablodan tutarak taşımayın, aleti kablo ile asmayın veya kablodan çekerek fişi prizden çıkarmayın. Kabloyu aşırı sıcaktan, yağlardan, keskin kenarlı cisimlerden veya aletin hareketli parçalarından uzak tutun.** Hasarlı veya dolaşmış kablo elektrik çarpmaya tehlikesini yükseltir.
- e) **Elektrikli el aletinizle açık havada çalışırken mutlaka açık havada kullanılmaya müsadeleli uzatma kablosu kullanın.** Açık havada kullanılmaya uygun ve müsadeleli uzatma kablosunun kullanılması elektrik çarpmaya tehlikesini azaltır.
- f) **Elektrikli el aletinin nemli ortamlarda çalıştırılması şartsa, mutlaka toprak kaçağı devre kesicisi kullanın.** Toprak kaçağı devre kesicisi kullanımı elektrik çarpmaya tehlikesini azaltır.

3) KİŞİLERİN GÜVENLİĞİ

- a) **Dikkatli olun, ne yaptığınıza dikkat edin ve elektrikli el aletinizle çalışırken makul hareket edin. Yorgunsanız, hap, ilaç veya alkol almışsanız aletinizi kullanmayın.** Aletinizi kullanırken bir anlık dikkatsizliğiniz ciddi yaralanmalara yol açabilir.
- b) **Daima kişisel korunma donanımları ve bir koruyucu gözlük kullanın.** Elektrikli el aletinin türü ve kullanımına uygun olarak kullanacağınız toz maskesi, kaymayan sağlam iş ayakkabıları, koruyucu kask veya koruyucu kulaklık gibi kişisel korunma donanımlarını kullanmanız yaralanma tehlikesini büyük ölçüde azaltır.
- c) **Aleti yanlışlıkla çalıştırmaktan kaçının. Akım ikmal şebekesine ve/veya aküye bağlamadan, elinize alıp taşımadan önce elektrikli el aletinin kapalı durumda olduğundan emin olun.** Elektrikli el aletini parmağınız şalter üzerinde dururken taşırırsanız ve alet açıkken fişi prize sokarsanız kazalara neden olabilirsiniz.
- d) **Aleti çalıştırmadan önce ayar aletlerini veya tornavidaları aletten uzaklaştırın.** Dönen alet parçasına temas halinde bulunan bir uç veya anahtar yaralanmalara neden olabilir.
- e) **Kendinize çok fazla güvenmeyin. Duruşunuzun güvenli olmasına dikkat edin ve daima dengenizi koruyun.** Bu sayede aletinizi beklenmedik durumlarda daha iyi kontrol edersiniz.

- f) **Uygun iş giysileri giyin. Çalışırken çok bol giysiler giymeyin ve takı takmayın. Saçlarınızı, giysilerinizi ve eldivenlerinizi aletin hareketli parçalarından uzak tutun.** Bol giysiler, takılar veya uzun saçlar aletin hareketli parçaları tarafından tutulabilir.
- g) **Aletinize toz emme donanımı ve toz tutma donanımı takılabiliyorsa, bunların bağlı olup olmadığını ve doğru işlev görüp görmediklerini kontrol edin.** Toz emme donanımının kullanımı tozdan kaynaklanabilecek tehlikeleri azaltır.
- ## 4) ELEKTRİKLİ EL ALETLERİYLE DİKKATLİ ÇALIŞMAK VE ALETİ DOĞRU KULLANMAK
- a) **Aletinizi aşırı ölçüde zorlamayın. İşinize uygun elektrikli el aletini kullanın.** Uygun elektrikli el aleti ile belirtilen performans alanında daha iyi ve daha güvenli çalışırsınız.
- b) **Açma/kapama şalteri arızalı olan elektrikli el aletini kullanmayın.** Açılıp kapanamayan bir elektrikli el aleti tehlikelidir ve onarılması gerekir.
- c) **Alette bir ayarlama işlemine başlamadan ve/veya aküyü çıkarmadan önce, herhangi bir aksesuarı değiştiren veya aleti elinizden bırakırken fişi prizden çekin.** Bu önlem, aletin kontrolünüz dışında ve istenmeden çalışmasını önler.
- d) **Kullanım dışında iken elektrikli el aletinizi çocukların ulaşamayacağı bir yerde saklayın. Aleti kullanmayı bilmeyen veya bu güvenlik talimatını okumayan kişilerin aleti kullanmasına izin vermeyin.** Deneyimsiz kişiler tarafından kullanıldıkları takdirde elektrikli el aletleri tehlikeli olabilirler.
- e) **Aletinizin bakımını özenle yapın. Aletin hareketli parçalarının kusursuz işlev görüp görmediklerini ve sıkışmadıklarını, parçaların kırık veya hasarlı olup olmadıklarını kontrol edin, aksi takdirde alet işlevini tam olarak yerine getiremez. Aletinizi kullanmadan önce hasarlı parçaları onartın.** Birçok iş kazası aletlerin kötü ve yetersiz bakımından kaynaklanır.
- f) **Kesici uçları keskin ve temiz tutun.** İyi bakım görmüş kesici uçlar daha ender sıkışır ve daha iyi yönlendirilirler.
- g) **Elektrikli el aletlerini, aksesuarı, uçları ve benzerlerini bu güvenlik talimatına uygun olarak kullanın. Aletinizi kullanırken çalışma koşullarını ve yaptığınız işi daima dikkate alın.** Elektrikli el aletlerini kendileri için öngörülen işlerin dışında kullanmak tehlikeli durumların ortaya çıkmasına neden olabilir.
- ## 5) SERVİS
- a) **Aletinizi sadece uzman bir elemana ve orijinal yedek parçaları kullanarak onartın.** Böylelikle aletin güvenliğini korumuş olursunuz.

PLANYALAR İÇİN GÜVENLİK TALİMATI

GENEL

- Bu alet 16 yaşının altındaki kişiler tarafından kullanılmamalıdır
- Cihaz çalışırken gürültü seviyesi 85 dB(A) desibele kadar çıkabilir; kulak koruyucu kullanınız
- **Bu aletle asbest içeren malzemeleri işlemeyin** (asbest kanserojen bir madde kabul edilir)
- Kurşun içeren boya, bazı ahşap türleri, mineral ve metal gibi malzemelerden çıkan toz zararlı olabilir (tozla temasta bulunulması veya solunması operatörde veya

yakında bulunan kişilerde alerjik reaksiyonlara ve/veya solunum yolu hastalıklarına neden olabilir); **toz maskesi takın ve toz ekstraksiyon cihazıyla çalışın (bağlanabiliyorsa)**

- Bazı toz tipleri (örneğin meşe ve kayın ağacı tozu), bilhassa ahşap yenileme katkı maddeleriyle birlikte, karsinojenik olarak sınıflandırılır; **toz maskesi takın ve toz ekstraksiyon cihazı ile çalışın (bağlanabiliyorsa)**
- Çalışmak istediğiniz malzemelerin, toz ile ilgili ulusal taleplerini takip ediniz
- SKIL sadece SKIL satıcınızdan temin edeceğiniz uygun aksesuarlar kullanıldığında aletin düzgün çalışmasını garanti eder
- Kordon hasarlı iken cihazı kesinlikle kullanmayınız; uzman bir kişi tarafından değiştiriniz
- **İsteddiğiniz ayar değişikliklerini ve aksesuar değişikliklerini yapmadan önce mutlaka şebeke fişini prizden çekin**

KULLANMADAN ÖNCE

- Güç geriliminin, aletin özellik plakasında belirtilen voltaj değeriyle aynı olduğunu sık sık kontrol edin (230V veya 240V aletler 220V kaynağa bağlanabilir)
- İş parçasının vida, çivi ve benzeri malzeme tarafından hasar görmemesi için dikkatli olun; çalışmaya başlamadan önce bunları çıkartın
- Aleti kullanmadan önce bıçakların hiçbir yere değmediğinden emin olun
- Tamamen kusursuz ve güvenli 16 Amp uzatma kabloları kullanın
- **İş parçasını iyice sabitlemek ve desteklemek için mengene kullanın veya diğer pratik yollara başvurun** (iş parçasını elde tutmak veya vücuda dayamak sabit olmasına ve kontrol kaybına neden olabilir)

KULLANIM SIRASINDA

- **Kesici kendi kablosuna temas edebileceği için elektrikli aleti izolasyonlu tutamaklarından tutun** (akım ileten elektrik kablosunun kesilmesi aletin metal parçalarının da elektrik akımına maruz kalmasına ve kullanan kişiyi elektrik çarpmasına neden olabilir)
- Kabloyu her zaman aletin hareketli parçalarından uzak tutun; kabloyu arka tarafta araçtan uzakta bulundurun
- Parmaklarınızı dönen bıçaklardan uzak tutun
- Elektriksel veya mekaniksel hatalı çalışma durumunda aleti hemen kapatın ve fişi çekin
- Eğer cihazı kullanırken kordon hasar görür yada kesilirse, kordona kesinlikle dokunmayınız ve derhal fişi çekiniz
- Eğer talaş çıkışında herhangi bir parça sıkışır, motoru kapatmanız gerekir; hareket halindeki bütün parçaların durduğundan emin olduktan sonra fişi prizden çekin ve sıkışan yongayı çıkarın

KULLANIMDAN SONRA

- Aleti bırakmadan önce kesici bloğunun durmasını bekleyin (açıktaki bıçak yüzeye dokunarak kontrol kaybına ve ciddi yaralanmaya neden olabilir)

KULLANIM

- Bıçakları değiştirme/çevirme ④
Bu planyada her iki tarafında keskin kenar bulunan bilenmez bıçak vardır; dolayısıyla, bir tarafı körleşince öbür tarafı kullanılabilir
! aleti kapatın ve fişi prizden çekin
- yönlendirme düzenekleri monte ise, bunları çıkartın

- anahtarları depodan A çıkartın
- aleti baş aşağı çevirin
- anahtarla 3 civatayı B gevşetin (civataları çıkartmayın)
- bir tahta parçasıyla iterek bıçağı kesici bloktan çıkarın
- bıçağın öbür tarafını çevirin ve kesici bloğa tekrar takın, veya yeni bıçak kullanın
- ! bıçaktaki oyuk kesici bloktaki çıkıntıya oturmalıdır**
- ! bıçağın iki ucu kenarlardan eşit taşmalıdır**
- ! bıçağın ve yakın taraftaki X ayağın kenarıyla aynı hizada olduğundan emin olun (resimde gösterildiği gibi bir cetveli muhafazanın karşısına düz olarak koyun ve stopaj olarak kullanın)**
- anahtarla 3 civatayı B iyice sıkın
- ! zaman zaman bıçakları değiştirin/çevirin; sadece keskin bıçak kullanın**
- ! her iki bıçağı aynı zamanda değiştirin/çevirin**
- ! bıçakları kesici bloktan vıdallardan C ayarlamaya çalışmayın, bunlar üretim sırasında ayarlanmıştır**
- Planya derinliği ayarlama (0-3 mm) ⑤
 - düğmeyi D çevirerek gereken derinliği seçin
 - gösterge çizgisini E referans olarak kullanın
 - her zaman sığ bir planya derinliği seçin ve planyalama ve ayarlama sürecini tekrarlayarak gereken derinliğe erişin
- Çip çıkışı ⑥
 - istenilen çip çıkış tarafını (sol ya da sağ) G şalter ile seçin
 - elektrikli süpürgeyi seçili çip çıkışına H adaptörle resimde gösterildiği şekilde bağlayın
 - elektrikli süpürge torbasını da J seçili çip çıkışına resimde gösterildiği şekilde bağlayabilirsiniz
 - ! bıçaklar dönerken çip çıkışından herhangi bir engel temizlemeye çalışmayın**
- Park pabucu K ⑦
 - alet kullanılmadığı zaman iş parçasının zedelenmesini önler
 - planyalarken otomatik olarak geriye katlanır
- Aletin çalıştırılması
 - planya derinliğini ayarlayın
 - aleti iş parçası üzerine konumlandırın
 - ! sadece ön pabucun iş parçası üzerinde durduğundan ve bıçakların dokunmadığından emin olun**
 - aleti çalıştırmak için önce düğmeye basın L ② (= kilitlenemeyen güvenlik şalteri) sonra tetiği M ② çekin
 - ! bıçaklar iş parçasına erişmeden önce alet tam hizada çalışıyor olmalıdır**
 - aleti iki elle sıkıca tutun ve ileri doğru kesintisiz bir hareketle iterek yönlendirin
 - ! çalışma esnasında, aleti daima gri renkli bölge(ler)den tutun(uz) ⑧**
 - aleti kullanırken taban plakası iş parçasının üzerinde olsun
 - istenmeyen planya çiziklerini önlemek için aleti eğmeyin
 - havalandırma yuvalarını Q ② açık tutun
 - ! aleti kapatmadan önce iş parçası üzerinden kaldırın**
 - tetiği M bırakarak aleti kapatın

- Lamba açma planyası ⑨
 - istediğiniz planya derinliğini ayarlayın
 - lamba derinliğini oluk derinlik mesnedi N ile ayarlayın
 - aleti iş parçası üzerine konumlandırın
 - şimdi artık planya işlemine başlayabilirsiniz
 - maksimum lamba genişliği 82 mm'dir
 - maksimum lamba derinliği 15 mm'dir
- Lamba açma planyası sırasında şu elemanları kullanırsanız daha iyi sonuç alırsınız oluk genişliğini ayarlamak üzere bir yan dayamak P ⑩

UYGULAMA

- Köşeleri pahlarken, ön pabuçtaki V-oyuklarını kullanın ⑪
 - düğmesini D "0" pozisyonuna getirin
 - 3 V-oyuklarından birini seçin
- ! **başlangıçta daima bir deneme parçası üzerinde deneme yapın**

BAKIM / SERVİS

- Aleti ve kablosunu daima temiz tutun (özellikle havalandırma yuvalarını Q ⑫)
- ! **temizlemeden önce, cihazın fişini prizden çekin**
- Dikkatli biçimde yürütülen üretim ve test yöntemlerine rağmen aleti arıza yapacak olursa, onarım SKIL elektrikli aletleri için yetkili bir serviste yapılmalıdır
 - aleti ambalajıyla birlikte satın alma belgenizide ekleyerek satıcınıza veya en yakın SKIL servisine ulaştırın (adresler ve aletin servis şemaları www.skilmasters.com adresinde listelenmiştir)

ÇEVRE

- **Elektrikli aletlerini, aksesuarları ve ambalajları evdeki çöp kutusuna atmayınız** (sadece AB ülkeleri için)
 - kullanılmış elektrikli aletleri, elektrik ve elektronikli eski cihazlar hakkındaki 2012/19/EC Avrupa yönergelerine göre ve bu yönergeler ulusal hukuk kurallarına göre uyarlanarak, ayrı olarak toplanmalı ve çevre şartlarına uygun bir şekilde tekrar değerlendirmeye gönderilmelidir
 - sembol ⑬ size bunu anımsatmalıdır

UYGUNLUK BEYANI CE

- Tek sorumlu olarak "Teknik veriler" bölümünde tanımlanan ürünün aşağıdaki norm veya normatif belgelere uygunluğunu beyan ederiz: EN 60745, EN 61000, EN 55014 yönetmelik hükümleri uyarınca 2004/108/EG, 2006/42/EG, 2011/65/EU
- **Teknik belgelerin bulunduğu merkez:** SKIL Europe BV (PT-SEU/ENG1), 4825 BD Breda, NL

Marijn van der Hoofden
Operations & Engineering

Olaf Dijkgraaf
Approval Manager




SKIL Europe BV, 4825 BD Breda, NL

23.12.2013

GÜRÜLTÜ/TİTREŞİM

- Ölçülen EN 60745 göre ses basıncı bu makinanın seviyesi 91 dB(A) ve çalışma sırasındaki gürültü 102 dB(A) (standart sapma: 3 dB), ve titreşim 6,9 m/s² (el-kol metodu; tolerans K = 1,5 m/s²)
- Titreşim emisyon seviyesi EN 60745'te sunulan standart teste göre ölçülmüştür; bu seviye, bir aleti bir başkasıyla karşılaştırmak amacıyla ve aletin söz konusu uygulamalarda kullanılması sırasında titreşime maruz kalma derecesinin ön değerlendirmesi olarak kullanılabilir
 - aletin farklı uygulamalar için veya farklı ya da bakımı yetersiz yapılmış aksesuarlarla kullanılması, maruz kalma seviyesini belirgin biçimde **arttırabilir**
 - aletin kapalı olduğu veya çalıştığı ancak gerçek anlamda iş yapmadığı zamanlarda, maruz kalma seviyesi belirgin biçimde **azalabilir**
- ! **aletin ve aksesuarlarının bakımını yaparak, ellerinizi sıcak tutarak ve iş modellerinizi düzenleyerek kendinizi titreşimin etkilerinden koruyun**

PL

Strug

1570

WSTĘP

- Niniejsze elektronarzędzie znajduje zastosowanie do strugania materiałów z drzewa takich jak belki i deski; nadaje się również do ukosowania naroży i strugania krawędzi
- Przeczytać i zachować niniejszą instrukcję obsługi ③

DANE TECHNICZNE ①

ELEMENTY NARZĘDZIA ②

- A Schowek na klucz
- B Śruba mocująca
- C Śruba wałka tnącego
- D Pokrętko regulacji głębokości strugania
- E Wskaźnik głębokości strugania
- F Wylot wiórow (lewy/prawy)
- G Przetłacznik wylotu wiórow
- H Adapter odsysacza trocin
- J Worek na pył
- K Stopka parkująca
- L Wylącznik bezpieczeństwa
- M Włącznik/wyłącznik
- N Regulator głębokości zawrężania
- P Prowadnica równoległa
- Q Szczeliny wentylacyjne

BEZPIECZEŃSTWO

OGÓLNE PRZEPISY BEZPIECZEŃSTWA

UWAGA! Należy przeczytać wszystkie wskazówki i przepisy. Błędy w przestrzeganiu poniższych wskazówek mogą spowodować porażenie prądem, pożar i/lub ciężkie obrażenia ciała. **Należy starannie przechowywać wszystkie przepisy i wskazówki bezpieczeństwa dla**

dalszego zastosowania. Użyte w poniższym tekście pojęcie "elektronarzędzie" odnosi się do elektronarzędzi zasilanych energią elektryczną z sieci (z przewodem zasilającym) i do elektronarzędzi zasilanych akumulatorami (bez przewodu zasilającego).

1) BEZPIECZEŃSTWO MIEJSCA PRACY

- a) **Miejsce pracy należy utrzymywać w czystości i dobrze oświetlone.** Nieporządek lub nie oświetlone miejsce pracy mogą doprowadzić do wypadków.
- b) **Nie należy pracować tym narzędziem w otoczeniu zagrożonym wybuchem, w którym znajdują się np. łatwopalne ciecz, gazy lub pyły.** Elektronarzędzia wytwarzają iskry, które mogą podpalić ten pył lub pary.
- c) **Elektronarzędzie trzymać podczas pracy z daleka od dzieci i innych osób.** Przy nieuwadze można stracić kontrolę nad narzędziem.

2) BEZPIECZEŃSTWO ELEKTRYCZNE

- a) **Wtyczka urządzenia musi pasować do gniazda. Nie wolno modyfikować wtyczki w jakikolwiek sposób. Nie należy używać wtyczek adapterowych razem z uziemnionymi narzędziami.** Niezmienione wtyczki i pasujące gniazda zmniejszają ryzyko porażenia prądem.
- b) **Należy unikać kontaktu z uziemnionymi powierzchniami jak rury, grzejniki, piece i lodówki.** Istnieje zwiększone ryzyko porażenia prądem, gdy Państwa ciało jest uziemnione.
- c) **Urządzenie należy przechowywać zabezpieczone przed deszczem i wilgocią.** Wniknięcie wody do elektronarzędzia podwyższa ryzyko porażenia prądem.
- d) **Nigdy nie należy używać kabla do innych czynności. Nigdy nie używać kabla do noszenia urządzenia za kabel, zawieszenia lub do wyciągania wtyczki z gniazda. Kabel należy trzymać z daleka od wysokich temperatur, oleju, ostrych krawędzi lub ruchomych części urządzenia.** Uszkodzone lub poplątane kable zwiększają ryzyko porażenia prądem.
- e) **W przypadku, kiedy elektronarzędziem pracuje się na świeżym powietrzu należy używać kabla przedłużającego, który dopuszczony jest do używania na zewnątrz.** Użycie dopuszczonego do używania na zewnątrz kabla przedłużającego zmniejsza ryzyko porażenia prądem.
- f) **Jeżeli nie da się uniknąć zastosowania elektronarzędzia w wilgotnym otoczeniu, należy użyć wyłącznika ochronnego różnicowo-prądowego.** Zastosowanie wyłącznika ochronnego różnicowo-prądowego zmniejsza ryzyko porażenia prądem.

3) BEZPIECZEŃSTWO OSÓB

- a) **Należy być uważnym, uważać na to co się robi i pracę elektronarzędziem rozpoczynać z rozsądkiem. Nie należy używać urządzenia gdy jest się zmęczonym lub pod wpływem narkotyków, alkoholu lub lekarstw.** Moment nieuwagi przy użyciu urządzenia może doprowadzić do poważnych urażeń ciała.
- b) **Należy nosić osobiste wyposażenie ochronne i zawsze okulary ochronne.** Noszenie osobistego wyposażenia ochronnego jak maska przeciwpyłowa, nie ślizgające się buty robocze, hełm ochronny lub ochrona słuchu, w zależności od rodzaju i zastosowania elektronarzędzia zmniejsza ryzyko obrażeń ciała.

- c) **Należy unikać niezamierzonego uruchomienia narzędzia. Przed włożeniem wtyczki do gniazda i/ lub podłączeniem do akumulatora, a także przed podniesieniem lub przeniesieniem elektronarzędzia, należy upewnić się, że elektronarzędzie jest wyłączone.** Trzymanie palca na wyłączniku podczas przenoszenia elektronarzędzia lub podłączenie do prądu włączonego narzędzia, może stać się przyczyną wypadków.
 - d) **Zanim urządzenie zostanie włączone należy usunąć narzędzia nastawcze lub klucze.** Narzędzie lub klucz, które znajdują się w ruchomych częściach urządzenia mogą doprowadzić do obrażeń ciała.
 - e) **Nie należy przeceniać swoich możliwości. Należy dbać o bezpieczną pozycję pracy i zawsze utrzymywać równowagę.** Przez to możliwa jest lepsza kontrola urządzenia w nieprzewidywanych sytuacjach.
 - f) **Należy nosić odpowiednie ubranie. Nie należy nosić luźnego ubrania lub biżuterii. Włosy, ubranie i rękawice należy trzymać z daleka od ruchomych elementów.** Luźne ubranie, biżuteria lub długie włosy mogą zostać pociągnięte przez poruszające się części.
 - g) **W przypadku, kiedy możliwe jest zamontowanie urządzeń odsysających lub podchwytyjących należy upewnić się, czy są one właściwie podłączone i prawidłowo użyte.** Użycie urządzenia odsysającego pył może zmniejszyć zagrożenie pyłami.
- ### 4) UWAŻNE OBCOWANIE ORAZ UŻYCIE ELEKTRONARZĘDZIA
- a) **Nie należy przeciążać urządzenia. Do pracy używać należy elektronarzędzia, które jest do tego przewidziane.** Odpowiednim narzędziem pracuje się lepiej i bezpieczniej w podanym zakresie sprawności.
 - b) **Nie należy używać elektronarzędzia, którego włącznik/wyłącznik jest uszkodzony.** Elektronarzędzie, którego nie można włączyć lub wyłączyć jest niebezpieczne i musi zostać naprawione.
 - c) **Przed regulacją urządzenia, wymianą osprzętu lub po zaprzestaniu pracy narzędziem, należy wyciągnąć wtyczkę z gniazda i/lub usunąć akumulator.** Ten środek ostrożności zapobiega niezamierzonemu włączeniu się urządzenia.
 - d) **Nie używane elektronarzędzia należy przechowywać poza zasięgiem dzieci. Nie należy udostępniać narzędzia osobom, które jego nie umięją lub nie przeczytały tych przepisów.** Używane przez niedoświadczonych osoby elektronarzędzia są niebezpieczne.
 - e) **Urządzenie należy starannie konserwować. Należy kontrolować, czy ruchome części urządzenia funkcjonują bez zarzutu i nie są zablokowane, czy części nie są pęknięte lub uszkodzone, co mogłoby mieć wpływ na prawidłowe funkcjonowanie urządzenia. Uszkodzone narzędzie należy przed użyciem urządzenia oddać do naprawy. Wiele wypadków spowodowanych jest przez niewłaściwą konserwację elektronarzędzi.**
 - f) **Osprzęt tnący należy utrzymywać ostry i czysty.** Starannie pielęgnowany osprzęt tnący z ostrymi krawędziami tnącymi blokuje się rzadziej i łatwiej się używa.

- g) **Elektronarzędzia, osprzęt, narzędzia itd. należy używać odpowiednio do tych przepisów. Uwzględnić należy przy tym warunki pracy i czynność do wykonania.** Użycie elektronarzędzi do innych niż przewidziane prace może doprowadzić do niebezpiecznych sytuacji.

5) SERWIS

- a) **Naprawę urządzenia należy zlecić jedynie kwalifikowanemu fachowcowi i przy użyciu oryginalnych części zamiennych.** To gwarantuje, że bezpieczeństwo użytkownika zostanie zachowane.

INSTRUKCJA BEZPIECZNEJ OBSŁUGI STRUGA

OGÓLNE

- Narzędzie nie powinny używać dzieci poniżej 16 roku życia
- Poziom hałas podczas pracy może przekraczać 85 dB(A); używać naszuszki do ochrony słuchu
- Nie należy obrabiać materiału zawierającego azbest** (azbest jest rakotwórczy)
- Pył pochodzący z takich materiałów, jak farby zawierające ołów, niektóre gatunki drzewa, minerały i metal może być szkodliwy (kontakt z nim lub wdychanie takiego pyłu może powodować reakcje alergiczne i/lub niewydolność oddechową u operatora lub osób towarzyszących); **należy zakładać maskę przeciwpyłową i pracować z urządzeniem odsysającym, jeżeli można je podłączyć**
- Niektóre rodzaje pyłu są sklasyfikowane jako rakotwórcze (takie, jak pył dębu i buka) szczególnie w połączeniu z dodatkami do kondycjonowania drewna; **należy zakładać maskę przeciwpyłową i pracować z urządzeniem odsysającym pył, jeżeli można je podłączyć**
- Należy stosować się do lokalnych wymogów dotyczących pracy w otoczeniu pyłu powstającego podczas obróbki materiału
- SKIL może zagwarantować bezwarunkowe działanie narzędzia tylko przy korzystaniu z odpowiedniego wyposażenia dodatkowego, dostępnego u dystrybutorów produktów SKIL
- Pod żadnym pozorem nie wolno korzystać z narzędzia z uszkodzonym przewodem; zleć jego wymianę wykwalifikowanej osobie
- Przed przystąpieniem do wykonywania jakichkolwiek czynności przy narzędziu, w czasie przerw w pracy jak również po jej zakończeniu wyjąć wtyczkę z gniazda sieciowego**

PRZED UŻYCIEM

- Każdorazowo należy sprawdzać, czy napięcie zasilania jest zgodne z napięciem podanym na tabliczce znamionowej urządzenia (narzędzia na napięcie znamionowe 230V lub 240V zasilac można także napięciem 220V)
- Uwaga na gwoździe, śruby i inne twarde przedmioty; przed przystąpieniem do obróbki powinny być usunięte z obrabianego przedmiotu; usunąć je przed rozpoczęciem pracy
- Przed użyciem narzędzia sprawdzić, czy noże o nic nie ocierają
- W przypadku korzystania z kabla przedłużającego należy zwrócić uwagę, aby był maksymalnie nawinięty na bęben oraz był przystosowany do przewodzenia prądu o natężeniu przynajmniej 16 A

- Używać kleszczy lub innych narzędzi do zabezpieczenia i podparcia obrabianego materiału do stabilnej powierzchni** (trzymanie części w ręku lub opieranie jej o ciało może prowadzić do utraty kontroli)

PODCZAS UŻYWANIA

- Elektronarzędzie należy dotykać jedynie przy izolowanych powierzchniach uchwytu, ponieważ przecinak może dotknąć własnego przewodu** (przecięcie przewodów pod napięciem może spowodować pojawienie się napięcia na metalowych elementach narzędzia i porażenie operatora prądem)
- Kabel zasilający powinien stale znajdować się w bezpiecznej odległości od wirującej części elektronarzędzia; kabel zasilający zawsze prowadzić z tyłu elektronarzędzia
- Trzymać palce z daleka od wirujących noży
- W przypadku wadliwego działania mechanicznych lub elektrycznych elementów urządzenia, należy bezwzględnie odłączyć narzędzie i wyjąć wtyczkę
- W przypadku uszkodzenia lub przecięcia przewodu podczas pracy, nie wolno go dotykać, tylko należy natychmiast wyciągnąć z gniazdka wtyczkę
- Jeżeli jakkolwiek zrębek drewna zaklinuje się w otworze wiórowym, wyłączyć silnik i sprawdzić czy wszystkie części ruchome zatrzymały się, wyciągnąć wtyczkę i usunąć zaklinowany zrębek

PO UŻYCIU

- Przed odłożeniem struga odczekać, aż wałek tnący się zatrzyma** (wystający nóż, uderzając o podłoże, może doprowadzić do utraty panowania nad narzędziem i poważnego zranienia)

UŻYTKOWANIE

- Wymiana/obracanie noży ④
Strug jest wyposażony w jednorazowe noże, z obustronnym ostrzem; kiedy jedna strona ulegnie stopieniu, należy przelożyć na drugą stronę
! wyłącz narzędzie i wyciągnij wtyczkę z gniazdka
 - odłączyć prowadnice, jeśli były przymocowane
 - wyjąć klucz ze schowka A
 - odwrócić narzędzie do góry nogami
 - poluzować kluczykiem 3 śruby B (nie wyjmować śrub)
 - kawałkiem drewna wypchnąć nóż z wałka tnącego
 - włożyć w wałek nowy nóż lub stary w odwrotnej pozycji**! rowek w nożu powinien być zgrany z krawędzią wałka tnącego**
! oba końce noża powinny wystawać jednakowo
! sprawdzić, czy koniec noża X znajduje się w jednej linii z krawędzią stopki (w tym celu na obudowie należy płasko położyć linijkę tak jak to pokazano na rysunku i wykorzystać ją jako ogranicznik)
 - mocno dokręcić kluczem 3 śruby mocujące**! wymieniać/obracać noże na czas; używać tylko ostrych noży**
! zawsze wymieniać/obracać od razu oba noże
! nie usuwać regulować noży fabrycznie ustawionymi wałkami tnącymi śruby C
- Ustawianie głębokości strugania (0-3 mm) ⑤
 - obracając pokrętko D wybrać wymaganą głębokość
 - głębokość jest wskazywana kreską na wskaźniku E

- zawsze należy wybierać niewielką grubość zbierania; powtarzać czynności regulacji i strugania aż do uzyskaniażądanego wymiaru
- Wylot wiórów ⑥
 - wybrać za pomocą przełącznika G żądaną stronę wylotu wiórów (lewą lub prawą)
 - podłączyć odkurzacz z przystawką H do wybranego wylotu wiórów w taki sposób, jak pokazano na ilustracji
 - na wybrany wylot wiórów można również nałożyć worek pyłowy J w taki sposób, jak pokazano na ilustracji
- ! **nie wolno próbować usuwać jakichkolwiek zanieczyszczeń z wylotu wiórów przy obracających się nożach**
- Stopka parkująca K ⑦
 - chroni obrabiany przedmiot przed uszkodzeniem przy odsuwaniu narzędzia
 - podczas strugania automatycznie się odsuwa
- Obsługa narzędzia
 - ustawić głębokość strugania
 - ustawić narzędzie na obrabianym przedmiocie
- ! **upewnić się, że tylko przedni ślizg spoczywa na obrabianym przedmiocie, a noże go nie dotykają**
- włączyć narzędzie naciskając najpierw przycisk L ② (= nieblokujący się wyłącznik bezpieczeństwa), a następnie odcinając spust M ②
- ! **zanim noże dotkną materiału, narzędzie musi osiągnąć maksymalne obroty**
- narzędzie należy trzymać mocno obiema rękami i przesuwając je z jednostajną prędkością
- ! **podczas pracy zawsze trzymać narzędzie za uchwyt(y) ograniczone szarym kolorem ⑧**
- podczas używania narzędzia należy opierać jego podstawę na obrabianym przedmiocie
- aby uniknąć niepożądanych śladów strugania, nie należy przechylać narzędzia
- szczeliny wentylacyjne Q ② powinny być odkryte
- ! **przed wyłączeniem narzędzia należy unieść je ponad obrabiany przedmiot**
- wyłączyć narzędzie zwalniając spust M
- Struganie krawędzi ⑨
 - ustawić wymaganą głębokość strugania
 - ustawić wymaganą głębokość krawędziowania przy pomocy zderzaka N
 - ustawić narzędzie na obrabianym przedmiocie
 - teraz można rozpocząć obróbkę
 - maksymalna szerokość krawędziowania 82 mm
 - maksymalna głębokość krawędziowania 15 mm
- Struganie krawędzi ułatwi Państwu ogranicznik P do ustalenia wymaganej szerokości rowka ⑩

WSKAZÓWKI UŻYTKOWANIA

- Do ukosowania krawędzi używać rowków w kształcie litery V w przednim kločku ⑪
 - pokrętło D ustawić w położeniu "0"
 - wybrać jeden z 3 rowków w kształcie litery V
- ! **zawsze wypróbować na kawałku zbędnego materiału**

KONSERWACJA / SERWIS

- Zawsze dbać o czystość narzędzia i przewodu zasilającego (a szczególnie otworów wentylacyjnych Q ②)
- ! **przed przystąpieniem do czyszczenia należy wyjąć wtyk z gniazda sieciowego**
- Jeśli narzędzie, mimo dokładnej i wszechstronnej kontroli produkcyjnej ulegnie kiedykolwiek awarii, naprawę powinien przeprowadzić autoryzowany serwis elektronarzędzi firmy SKIL
 - odesłać **nierozebrany** narzędzie, wraz z dowodem zakupu, do dealera lub do najbliższego punktu usługowego SKIL (adresy oraz diagram serwisowy narzędzenia znajdują się na stronach www.skilmasters.com)

ŚRODOWISKO

- **Nie wyrzucaj elektronarzędzi, akcesoriów i opakowania wraz z odpadami z gospodarstwa domowego** (dotyczy tylko państw UE)
 - zgodnie z Europejską Dyrektywą 2012/19/WE w sprawie zużytego sprzętu elektrotechnicznego i elektronicznego oraz dostosowaniem jej do prawa krajowego, zużyte elektronarzędzia należy posegregować i zutylizować w sposób przyjazny dla środowiska
 - w przypadku potrzeby pozbycia się narzędzia, akcesoriów i opakowania - symbol ⑫ przypomni Ci o tym

DEKLARACJA ZGODNOŚCI CE

- Oświadczamy z pełną odpowiedzialnością, że produkt, przedstawiony w "Dane techniczne", odpowiada wymaganiom następujących norm i dokumentów normatywnych: EN 60745, EN 61000, EN 55014, zgodnie z wymaganiami dyrektywy 2004/108/EU, 2006/42/EU, 2011/65/EU
- **Dokumentacja techniczna:** SKIL Europe BV (PT-SEU/ENG1), 4825 BD Breda, NL

Marijn van der Hoofden
Operations & Engineering

Olaf Dijkgraaf
Approval Manager

SKIL Europe BV, 4825 BD Breda, NL

23.12.2013

HAŁASU/WIBRACJE

- Pomiarów dokonano zgodnie z normą EN 60745 ciśnienie akustyczne narzędzia wynosi 91 dB(A) zaś poziom mocy akustycznej 102 dB(A) (poziom odchylenie: 3 dB), zaś vibracje 6,9 m/s² (metoda dłoń-ręka; błąd pomiaru K = 1,5 m/s²)
- Poziom emisji vibracji został zmierzony zgodnie z testem standaryzowanym podanym w EN 60745; może służyć do porównania jednego narzędzia z innym i jako ocena wstępna narażenia na vibracje w trakcie używania narzędzia do wymienionych zadań

- używanie narzędzia do innych zadań, lub z innymi albo źle utrzymanymi akcesoriami, może znacząco **zwiększyć** poziom narażenia
 - przypadki, kiedy narzędzie jest wyłączone lub jest czyste, ale aktualnie nie wykonuje zadania, mogą znacząco **zmniejszyć** poziom narażenia
- ! należy chronić się przed skutkami wibracji przez konserwację narzędzia i jego akcesoriów, zakładanie rękawic i właściwą organizację pracy**

RU

Рубанок

1570

ВВЕДЕНИЕ

- Электроинструмент предназначен для строгания древесных поверхностей, таких как брусья и доски, а также для снятия фанки с кромок обрабатываемых предметов и для фальцовки
- Прочитайте и сохраните с данной инструкцией ③

ТЕХНИЧЕСКИЕ ДАННЫЕ ①

ДЕТАЛИ ИНСТРУМЕНТА ②

- A Отделение для хранения ключа
- B Зажимной болт
- C Винты резцового блока
- D Ручка установки глубины строгания
- E Индикатор глубины строгания
- F Отверстие для выброса стружки (левое/правое)
- G Переключатель отверстия для выброса стружки
- H Адаптер пылесоса
- J Пылесборный мешок
- K Опорный башмак
- L Защитный выключатель
- M Выключатель вкл/выкл
- N Специального устройства для регулировки глубины
- P Продольная направляющая линейка
- Q Вентиляционные отверстия

БЕЗОПАСНОСТЬ

ОСНОВНЫЕ ИНСТРУКЦИИ ПО ТЕХНИКЕ БЕЗОПАСНОСТИ

⚠ ВНИМАНИЕ! Прочтите все указания и инструкции по технике безопасности. Упущения, допущенные при соблюдении указаний и инструкций по технике безопасности, могут стать причиной электрического поражения, пожара и тяжелых травм. **Сохраняйте эти инструкции и указания для будущего использования.** Использованное в настоящих инструкциях и указаниях понятие “электроинструмент” распространяется на электроинструмент с питанием от сети (с кабелем питания от электросети) и на аккумуляторный электроинструмент (без кабеля питания от электросети).

1) БЕЗОПАСНОСТЬ РАБОЧЕГО МЕСТА

- a) **Соблюдайте чистоту и поддерживайте надлежащую освещенность на рабочем месте.** Беспорядок на рабочем месте или его плохое освещение могут привести к несчастным случаям.
- b) **Не используйте с электроинструментом во взрывоопасной среде, т.е. в непосредственной близости от легковоспламеняющихся жидкостей, газов или пыли.** В процессе работы электроинструмент искрит и искры могут воспламенить газы или пыль.
- c) **При работе с электроинструментом не допускайте детей или посторонних на Ваше рабочее место.** Отвлечение Вашего внимания может привести к потере контроля над работой инструмента.

2) ЭЛЕКТРИЧЕСКАЯ БЕЗОПАСНОСТЬ

- a) **Штепсельная вилка кабеля питания электроинструмента должна соответствовать розетке электросети. Не вносите никаких изменений в конструкцию вилки. Не используйте адаптеры для электроинструмента с защитным заземлением.** Заводские штепсельные вилки и соответствующие им сетевые розетки существенно снижают вероятность электрошока.
- b) **Избегайте механических контактов с такими заземленными предметами, как трубопроводы, системы отопления, плиты и холодильники.** При соприкосновении человека с заземленными предметами во время работы инструментом вероятность электрошока существенно возрастает.
- c) **Оберегайте электроинструмент от воздействия дождя и влаги.** Попадание воды в электроинструмент повышает вероятность электрического удара.
- d) **Используйте кабель строго по назначению. Не допускается тянуть и передвигать электроинструмент за кабель или использовать кабель для вытягивания вилки из розетки. Оберегайте кабель инструмента от воздействия высоких температур, масла, острых кромок или движущихся частей электроинструмента.** Поврежденный или спутанный кабель повышает возможность электрического удара.
- e) **При работе на улице используйте удлинитель, предназначенный для работы вне помещения.** Использование такого удлинителя снижает вероятность электрического удара.
- f) **Если невозможно избежать применения электроинструмента в сыром помещении, то устанавливайте устройство защиты от утечки в землю.** Использование устройства защиты от утечки в землю снижает риск электрического поражения.

3) ЛИЧНАЯ БЕЗОПАСНОСТЬ

- a) **Будьте внимательны, следите за тем, что Вы делаете и выполняйте работу обдуманно. Не пользуйтесь электроинструментом, если Вы устали или находитесь под воздействием транквилизаторов, алкоголя или медицинских препаратов.** Секундная потеря концентрации в работе с электроинструментом может привести к серьезным травмам.

- b) **Используйте средства индивидуальной защиты. Защитные очки обязательны.** Средства индивидуальной защиты, такие как противопылевой респиратор, нескользящая защитная обувь, шлем-каска, средства защиты органов слуха применяются в соответствующих условиях работы обстоятельствах и минимизируют возможность получения травм.
- c) **Предотвращайте непреднамеренное включение электроинструмента. Перед подключением электроинструмента к электропитанию и/или к аккумулятору убедитесь в выключенном состоянии электроинструмента.** Если Вы при транспортировке электроинструмента держите палец на выключателе или включенный электроинструмент подключаете к сети питания, то это может привести к несчастному случаю.
- d) **Во избежание травм перед включением инструмента удалите регулировочный или гаечный ключ из вращающейся части инструмента.**
- e) **Не переоценивайте свои возможности. Твердо стойте на ногах и удерживайте равновесие.** В таком положении вы сможете лучше контролировать инструмент в неожиданных ситуациях.
- f) **Используйте подходящую рабочую одежду. Не надевайте свободную одежду и украшения. Волосы, одежда и перчатки должны находиться подальше от движущихся частей электроинструмента.** Свободная одежда, украшения или длинные волосы легко могут попасть в движущиеся части электроинструмента.
- g) **При наличии пылеотсасывающих и пылесборных приспособлений убедитесь в том, что они подсоединены и используются надлежащим образом.** Применение пылеотсоса может снизить опасности, создаваемые пылью.
- #### 4) ЭКСПЛУАТАЦИЯ И УХОД ЗА ЭЛЕКТРОИНСТРУМЕНТОМ
- a) **Не перегружайте инструмент. Используйте тот инструмент, который предназначен для данной работы.** С подходящим инструментом Вы выполните работу лучше и надежней, используя весь диапазон его возможностей.
- b) **Не используйте инструмент с неисправным выключателем.** Инструмент с неисправным выключателем опасен и подлежит ремонту.
- c) **До начала наладки электроинструмента, замены принадлежностей или прекращения работы отключайте штепсельную вилку от розетки сети и/или выньте аккумулятор.** Данная мера предосторожности предотвращает случайное включение инструмента.
- d) **Храните неиспользуемый электроинструмент в недоступном для детей месте и не позволяйте использовать его лицам, не умеющим с ним обращаться или не ознакомленным с инструкцией по эксплуатации.** Электроинструменты представляют собой опасность в руках неопытных пользователей.
- e) **Электроинструмент требует надлежащего ухода. Проверьте безупречность функции подвижных частей, лёгкость их хода, целостность всех частей**

и отсутствие повреждений, которые могут негативно сказаться на работе инструмента. При обнаружении повреждений сдайте инструмент в ремонт. Большое число несчастных случаев связано с неудовлетворительным уходом за электроинструментом.

- f) **Режущие части инструмента необходимо поддерживать в заточенном и чистом состоянии.** При надлежащем уходе за режущими принадлежностями с острыми кромками они режут заклиниваются и инструмент лучше поддается контролю.
- g) **Используйте электроинструмент, принадлежности, биты и т.д. в соответствии с данными инструкциями, исходя из особенностей условий и характера выполняемой работы.** Использование электроинструмента не по назначению может привести к опасным последствиям.

5) СЕРВИСНОЕ ОБСЛУЖИВАНИЕ

- a) **Передавайте инструмент на сервисное обслуживание только квалифицированному персоналу, использующему только подлинные запасные части.** Это обеспечит сохранение безопасности электроинструмента.

ИНСТРУКЦИЯ ПО ТЕХНИКЕ БЕЗОПАСНОСТИ ЭКСПЛУАТАЦИИ РУБАНКА

ОБЩЕЕ

- Инструмент нельзя использовать лицам в возрасте до 16 лет
- Поскольку уровень шума при работе данного инструмента может превышать 80 dB(A); всегда используйте защиту для ушей
- **Не обрабатывайте материалы с содержанием асбеста** (асбест считается канцерогеном)
- Пыль от таких материалов, как синтетическая краска, некоторые породы дерева, минералы и металл, может быть вредна (контакт с такой пылью или ее вдыхание может стать причиной возникновения у оператора или находящихся рядом лиц аллергических реакций и/или респираторных заболеваний); **надевайте респиратор и работайте с пылеудаляющим устройством при включении инструмента**
- Некоторые виды пыли классифицируются как канцерогенные (например, дубовая или буковая пыль), особенно в сочетании с добавками для кондиционирования древесины; **надевайте респиратор и работайте с пылеудаляющим устройством при включении инструмента**
- Следуйте принятым в вашей стране требованиям/нормативам относительно пыли для тех материалов, с которыми вы собираетесь работать
- SKIL обеспечивает надёжную работу инструмента только при использовании соответствующей оснастки , которую можно приобрести у Вашего дилера фирмы SKIL
- Никогда не используйте инструмент, если сетевой шнур повреждён; необходимо, чтобы квалифицированный специалист заменил сетевой шнур

- **Перед регулировкой или сменой принадлежности обязательно выньте вилку из сетевой розетки**

ПЕРЕД ИСПОЛЬЗОВАНИЕМ

- Обязательно убедитесь, что напряжение питания соответствует напряжению, указанному на фирменном штепселе инструмента (инструменты, рассчитанные на напряжение 230 В или 240 В, можно подключать к питанию 220 В)
- Избегайте повреждений, которые могут быть вызваны винтами, гвоздями и прочими элементами, находящимися в обрабатываемом предмете; перед началом работы их нужно удалить
- Перед использованием инструмента убедитесь в том, что ножи имеют свободный ход
- Используйте полностью размотанные и безопасные удлинители, рассчитанные на ток не менее 16 А
- **Используйте струбцины или другой удобный способ для крепления изделия к прочной платформе и его поддержки** (если держать изделие в руках или прижимать к телу, оно будет недостаточно зафиксировано, что может привести к потере контроля)

ВО ВРЕМЯ ИСПОЛЬЗОВАНИЯ

- **Держите электроинструмент за изолированные поверхности рукояток, т.н. режущий инструмент может соприкоснуться со шнуром** (перерезание провода под напряжением может вызвать подачу напряжения на открытые металлические части электроинструмента и привести к поражению оператора)
- Следите за тем, чтобы сетевой шнур не находился рядом с движущимися деталями инструмента; нужно всегда направлять электрический шнур к задней части инструмента, исключая его захват инструментом
- Не прикасайтесь пальцами к вращающимся лезвиям
- В случае любой электрической или механической неисправности немедленно выключите инструмент и выньте вилку из розетки
- При повреждении или разрезании сетевого шнура во время работы не прикасайтесь к нему, и немедленно выньте вилку из розетки
- В случае, если узел выброса забит строгальной стружкой, необходимо выключить двигатель, дождаться полной остановки всех движущихся деталей, отсоединить вилку кабеля от сети и удалить застрявшую стружку

ПОСЛЕ ИСПОЛЬЗОВАНИЯ

- **Дождитесь остановки ножевого вала прежде чем поставить инструмент на место** (открытый ножевой вал может зацепить поверхность, что приведет к потере контроля над инструментом и нанесению тяжелых травм)

ИСПОЛЬЗОВАНИЕ

- Заменить/перевернуть лезвия ④
Рубанок оборудован лезвиями, которые не подлежат повторному заточиванию; лезвия имеют режущие кромки с обеих сторон; если одна кромка затупилась, можно использовать другую

- ! **выключите инструмент и отсоедините сетевой шнур**

- снимите направляющие, если они установлены на инструменте
- возьмите ключ из отделения А
- переверните инструмент вверх дном
- с помощью ключа ослабьте 3 болта В (болты не удаляйте)
- достаньте лезвие из режущей головки с помощью деревянного клина
- установите лезвие в режущую головку другой стороной или установите новое лезвие

- ! **паз лезвия должен совпасть с краем резового блока**

- ! **оба конца лезвия должны выступать на одинаковое расстояние**

- ! **установите лезвие таким образом, чтобы его конец Х совместился с краем подошвы (приставьте линейку к корпусу инструмента, как показано на рисунке, и используйте ее в качестве ограничителя)**

- крепко затяните 3 болта В с помощью ключа

- ! **вовремя заменяйте/переворачивайте лезвия; работайте только с острыми лезвиями**

- ! **всегда заменяйте оба лезвия одновременно**
- ! **не пытайтесь отрегулировать лезвия с помощью винтов резового блока С – они установлены изготовителем**

- Регулировка глубины строгания (0-3 мм) ⑤
 - поверните ручку D для выбора нужной глубины
 - в качестве указателя используйте индикаторную линию E
 - всегда выбирайте небольшую глубину строгания и продолжайте строгание и регулировку до достижения нужной глубины
- Отверстие для выброса стружки ⑥
 - выберите нужную сторону для выброса стружки (левую или правую) с помощью переключателя G
 - присоедините пылесос с помощью переходника H к выбранному отверстию для выброса стружки, как показано на рисунке
 - можно также присоединить к выбранному отверстию для выброса стружки мешок для мусора J, как показано на рисунке
- ! **не пытайтесь удалить забившиеся стружки из отверстия для пыли во время вращения лезвий**
- Опорный башмак K ⑦
 - защищает изделие от повреждения, когда инструмент выключен
 - автоматически откидывается вверх во время строгания
- Использование инструмента
 - отрегулируйте глубину строгания
 - установите инструмент на изделие
- ! **убедитесь, что только передний башмак лежит на изделии, и что лезвия не касаются его**
- включите инструмент, сначала нажав ручку L ② (= предохранительный выключатель, который не фиксируется) затем нажмите курок M ②

- ! **перед тем, как опустить инструмент на изделия и начать работу, дождитесь, пока инструмент наберёт полную скорость**
- держите инструмент обеими руками и направляйте его вперёд непрерывным движением
- ! **во время работы, всегда держите инструмент за места правильного хвата, которые обозначены серым цветом ⑧**
- основание инструмента полностью должно лежать на изделии
- не наклоняйте инструмент, чтобы избежать нежелательных срезов
- содержите вентиляционные отверстия Q ② не закрытыми
- ! **перед тем как выключить инструмент, его следует поднять над обрабатываемым изделием**
- выключите инструмент, отпустив курок M
- Фальцовка ⑨
 - выберите требуемую глубину строгания
 - установите требуемую глубину фальцовки с помощью специального устройства для регулировки глубины N
 - установите инструмент на изделие
 - начните обработку
 - максимальная ширина фальца 82 мм
 - максимальная глубина фальца 15 мм
- При фальцовке лучший результат может быть достигнут при использовании направляющей планки P для регулировки ширины фальца ⑩

СОВЕТЫ ПО ИСПОЛЬЗОВАНИЮ

- Для снятия фасок используйте V-образные пазы в переднем упоре ⑪
 - установите ручку D в положении "0"
 - выберите один из 3 V-образных пазов
- ! **всегда сначала тестируйте на образце металлолома**

ТЕХОБСЛУЖИВАНИЕ / СЕРВИС

- Всегда содержите инструмент и его шнур в чистоте (особенно вентиляционные отверстия Q ②)
- ! **перед чисткой инструмента выньте вилку из розетки**
- Если инструмент, несмотря на тщательные методы изготовления и испытания, выйдет из строя, то ремонт следует производить силами авторизованной сервисной мастерской для электроинструментов фирмы SKIL
 - отправьте **неразобранный** инструмент со свидетельством покупки Вашему дилеру или в ближайшую станцию обслуживания фирмы SKIL (адреса и схема обслуживания инструмента приведены в вебсайте www.skilmasters.com)

ОХРАНА ОКРУЖАЮЩЕЙ СРЕДЫ

- **Не выкидывайте электроинструмент, принадлежности и упаковку вместе с бытовым мусором** (только для стран ЕС)
 - во исполнение европейской директивы 2012/19/ЕС об утилизации отслужившего свой срок

электрического и электронного оборудования и в соответствии с действующим законодательством, утилизация электроинструментов производится отдельно от других отходов на предприятиях, соответствующих условиям экологической безопасности

- значок ⑫ напомним Вам об этом, когда появится необходимость сдать электроинструмент на утилизацию

ДЕКЛАРАЦИЯ О СООТВЕТСТВИИ СТАНДАРТАМ СЕ

- С полной ответственностью мы заявляем, что описанный в разделе "Технические данные" продукт соответствует нижеследующим стандартам или нормативным документам: EN 60745, EN 61000, EN 55014 согласно положениям директив 2004/108/EC, 2006/42/EC, 2011/65/EC
- **Техническая документация у:** SKIL Europe BV (PT-SEU/ENG1), 4825 BD Breda, NL

Marijn van der Hoofden Olaf Dijkgraaf
Operations & Engineering Approval Manager




SKIL Europe BV, 4825 BD Breda, NL

23.12.2013

- Информация о сертификате соответствия расположена на последней странице настоящей Инструкции
- Сертификаты соответствия хранятся по адресу: ООО "Роберт Бош" ул. Акад. Королёва, 13, стр. 5 Россия, 129515, Москва
- С января 2014 г.** Вашутинское шоссе, влад. 36 Россия, 141446 г.о. Химки
- **Дата производства** указана на последней странице настоящей инструкции
- Информацию об **импортере** изделия можно найти на упаковке

ШУМНОСТИ/ВИБРАЦИИ

- При измерении в соответствии со стандартом EN 60745 уровень звукового давления для этого инструмента составляет 91 дБ (A) и уровень звуковой мощности - 102 дБ (A) (стандартное отклонение: 3 дБ), и вибрации - 6,9 м/с² (по методу для рук; недостоверность K = 1,5 м/с²)
- Уровень вибрации был измерен в соответствии со стандартизированным испытанием, содержащимся в EN 60745; данная характеристика может использоваться для сравнения одного инструмента с другим, а также для предварительной оценки воздействия вибрации при использовании данного инструмента для указанных целей
 - при использовании инструмента в других целях или с другими/неисправными вспомогательными приспособлениями уровень воздействия вибрации может значительно **повышаться**

- в періоди, когда інструмент отключен или функционирует без фактического выполнения работы, уровень воздействия вибрации может значительно **снижаться**
- ! **защитайте себя от воздействия вибрации, поддерживая инструмент и его вспомогательные приспособления в исправном состоянии, поддерживая руки в тепле, а также правильно организуя свой рабочий процесс**

UA

Стругальний рубанок

1570

ВСТУП

- Цей інструмент призначений для стругання матеріалів з деревини, таких як бруси та дошки; він також може використовуватись для отісування гострих кутів та фальцювання
- Прочитайте і збережіть цю Інструкцію з експлуатації

③

ТЕХНІЧНІ ДАНІ ①

ЕЛЕМЕНТИ ІНСТРУМЕНТА ②

- A Контейнер для збереження ключа
- B Затискний болт
- C Гвинти тримача лека ножа
- D Ручка встановлення глибини стругання
- E Індикатор глибини стругання
- F Отвір для видалення стружки (лівий/правий)
- G Перемикач отвору для видалення стружки
- H Адаптер пилососу
- J Мішок
- K Паркувальний башмак
- L Аварійний вимикач
- M Вимикач живлення
- N Регулятор глибини фальцювання
- P Направляюча планка
- Q Вентиляційні отвори

БЕЗПЕКА

ЗАГАЛЬНІ ВКАЗІВКИ З ТЕХНІКИ БЕЗПЕКИ

⚠ УВАГА! Прочитайте всі попередження і вказівки. Недодержання попереджень і вказівок може призводити до удару електричним струмом, пожежі та/або серйозних травм. **Добре зберігайте на майбутнє ці попередження і вказівки.** Під поняттям "електроприлад" в цих попередженнях мається на увазі електроприлад, що працює від мережі (з електрокабелем) або від акумуляторної батареї (без електрокабелю).

1) БЕЗПЕКА НА РОБОЧОМУ МІСЦІ

- Примайте своє робоче місце в чистоті та прибирайте його.** Безлад або погане освітлення на робочому місці можуть призводити до нещасних випадків.

- Не працюйте з приладом у середовищі, де існує небезпека вибуху внаслідок присутності горючих рідин, газів або пилу.** Електроприлади можуть породжувати іскри, від яких може займатися пил або пари.
 - Під час працювання з приладом не підпускайте до робочого місця дітей та інших людей.** Ви можете втратити контроль над приладом, якщо Ваша увага буде відвернута.
- #### 2) ЕЛЕКТРИЧНА БЕЗПЕКА
- Штепсель приладу повинен пасувати до розетки. Не дозволяється що-небудь міняти в штепселі.** Для роботи з приладами, що мають захисне заземлення, не використовуйте адаптери. Використання оригінального штепселя та належної розетки зменшує ризик удару електричним струмом.
 - Уникайте контакту частей тіла із заземленими поверхнями, як напр., трубами, батареями опалення, печами та холодилинками.** Коли Ваше тіло заземлене, існує збільшена небезпека удару електричним струмом.
 - Захищайте прилад від дощу та вологи.** Попадання води в електроінструмент збільшує ризик удару електричним струмом.
 - Не використовуйте кабель для перенесення приладу, підвішування або витягування штепселя з розетки.** Захищайте кабель від жару, олії, гострих країв та деталей приладу, що рухаються. Пошкоджений або закручений кабель збільшує ризик удару електричним струмом.
 - Для зовнішніх робіт обов'язково використовуйте лише такий подовжувач, що допущений для зовнішніх робіт.** Використання подовжувача, що розрахований на зовнішні роботи, зменшує ризик удару електричним струмом.
 - Якщо не можна запобігти використанню електроприладу у вологому середовищі, використовуйте пристрій захисту від витоків в землю.** Використання зрострою захисту від витоків в землю зменшує ризик удару електричним струмом.
- #### 3) БЕЗПЕКА ЛЮДЕЙ
- Будьте уважними, слідуйте за тим, що Ви робите, та розсудливо поведіться під час роботи з електроприладом. Не користуйтеся приладом, якщо Ви стомлені або знаходитесь під дією наркотиків, спиртних напоїв або лік.** Мить неуважності при користуванні приладом може призводити до серйозних травм.
 - Вдягайте особисте захисне спорядження та обов'язково вдягайте захисні окуляри.** Вдягання особистого захисного спорядження, як напр., - в залежності від виду робіт - захисної маски, спецвзуття, що не ковзається, каски або навушників, зменшує ризик травм.
 - Уникайте ненавмисного вмикання. Перш ніж вмикати електроприлад в електромережу або встромляти акумуляторну батарею, брати його в руки або переносити, впевніться в тому, що електроприлад вимкнений.** Тримання пальця на вимикачі під час перенесення електроприладу або встромлення в розетку увімкненого приладу може призводити до травм.

- d) **Перед тим, як вмикати прилад, приберіть налагоджувальні інструменти та гайковий ключ.** Знаходження налагоджувального інструмента або ключа в деталі, що обертається, може призводити до травм.
- e) **Не переоцінюйте себе. Зберігайте стійке положення та завжди зберігайте рівновагу.** Це дозволить Вам краще зберігати контроль над приладом у несподіваних ситуаціях.
- f) **Вдягайте придатний одяг. Не вдягайте просторий одяг та прикраси. Не підставляйте волосся, одяг та рукавиці близько до деталей приладу, що рухаються.** Просторий одяга, прикраси та довге волосся можуть попадати в деталі, що рухаються.
- g) **Якщо існує можливість монтувати пиловідсмоктувальні або пилоуловлювальні пристрої, переконайтеся, щоб вони були добре під'єднані та правильно використовувалися.** Використання пиловідсмоктувального пристрою може зменшити небезпеки, зумовлені пилом.
- 4) ПРАВИЛЬНЕ ПОВЕДІННЯ ТА КОРИСТУВАННЯ ЕЛЕКТРОПРИЛАДАМИ**
- a) **Не перевантажуйте прилад. Використовуйте такий прилад, що спеціально призначений для певної роботи.** З придатним приладом Ви з меншим ризиком отримаєте кращі результати роботи, якщо будете працювати в зазначеному діапазоні потужності.
- b) **Не користуйтеся приладом з пошкодженим вимикачем.** Прилад, який не можна увімкнути або вимкнути, є небезпечним і його треба відремонтувати.
- c) **Перед тим, як регулювати що-небудь на приладі, міняти приладдя або ховати прилад, витягніть штепсель із розетки та/або витягніть акумуляторну батарею.** Ці попереджувальні заходи з техніки безпеки зменшують ризик ненавмисного запуску приладу.
- d) **Зберігайте електроприлади, якими Ви саме не користуєтесь, далеко від дітей. Не дозволяйте користуватися електроприладом особам, що не знайомі з його роботою або не читали ці вказівки.** У разі застосування недосвідченими особами прилади несуть в собі небезпеку.
- e) **Старанно доглядайте за приладом. Перевірте, щоб рухомі деталі приладу бездоганно працювали та не заїдали, не були поламаними або настільки пошкодженими, щоб це могло вплинути на функціонування приладу. Пошкоджені деталі треба відремонтувати в авторизованій майстерні, перш ніж ними можна знову користуватися.** Велика кількість нещасних випадків спричиняється поганим доглядом за електроприладами.
- f) **Тримайте різальні інструменти добре нагостреними та в чистоті.** Старанно доглянуті різальні інструменти з гострим різальним краєм менше застряють та їх легше вести.
- g) **Використовуйте електроприлади, приладдя до них, робочі інструменти т.і. відповідно до цих вказівок.** Беріть до уваги при цьому умови

роботи та специфіку виконуваної роботи. Використання електроприладів для робіт, для яких вони не передбачені, може призводити до небезпечних ситуацій.

5) СЕРВІС

- a) **Віддавайте свій прилад на ремонт лише кваліфікованим фахівцям та лише з використанням оригінальних запчастин.** Це забезпечить безпечність приладу на довгий час.

ВКАЗІВКИ З ТЕХНІКИ БЕЗПЕКИ ПІД ЧАС ЕКСПЛУАТАЦІЇ РУБАНКА

ЗАГАЛЬНЕ

- Цей інструмент не можна використовувати особам віком до 16 років
- Рівень шуму при роботі може перевищувати 85 дБ(а); використовуйте навушники
- **Не обробляйте матеріали, що містять асбест** (асбест вважається канцерогенним)
- Пил від таких матеріалів, як свинцовоутримуюча фарба, деякі породи дерева, мінерали й метал, може бути шкідливим (контакт із таким пилом або його вдихання може стати причиною виникнення в оператора або осіб, що перебувають поруч, алергійних реакцій і/або респіраторних захворювань); **надягайте респіратор і працюйте з пиловидальючим пристроєм під час увімкнення інструмента**
- Деякі види пилу класифікуються як канцерогенні (наприклад, дубовий або буковий пил), особливо в сполученні з добавками для кондиціонування деревини; **надягайте респіратор і працюйте з пиловидальючим пристроєм під час увімкнення інструмента**
- Слідуйте інструкціям по роботі з матеріалами, продукуючими пил
- SKIL гарантує надійну роботу інструмента тільки при використанні відповідного приладдя, які можна отримати у Вашого дилера фірми SKIL
- Ніколи не використовуйте інструмент з пошкодженим шнуром; його повинен замінити кваліфікований фахівець
- **Перед регулюванням або заміною приладдя обов'язково вийміть вилку із сітьової розетки ПЕРЕД ВИКОРИСТАННЯМ**
- Перед роботою перевірте відповідність струму в мережі із струмом, позначеним на інструменті (інструменти, розраховані на 230В або 240В, також можуть підключатися до мережі 220В)
- Не допускайте пошкоджень, які можуть нанести шурупі, цвяхи і інші елементи вашому виробу; видаліть їх перед початком роботи
- Перш, ніж використовувати рубанок, перевірте, щоб ножі ні за що не чіпалились
- Використовуйте повністю розгорнений шнур подовжувача, який може витримувати навантаження в 16 Ампер
- **Застосовуйте затискачі або інші засоби фіксації та опори виробу на стабільній платформі** (затискання виробу руками або з притисканням до тіла робить його нестабільним та може призвести до втрати контролю за інструментом)

ПІД ЧАС ВИКОРИСТАННЯ

- **Тримайте електричний інструмент за ізольовані рукоятки, тому що ніж може може зачепити власний шнур живлення** (перерізання дроту під напругою призведе до проходження електричного струму через металеві деталі інструменту та до ураження оператора струмом)
- Не дозволяйте шнуру живлення стикатися з рухомими частинами інструменту; завжди викладайте шнур за задньою частиною інструменту
- Тримайте пальці подалі від ножів, що обертаються
- У разі електричної або механічної несправності, негайно відключите інструмент і вимкніть з розетки
- Якщо шнур пошкоджений або прорізаний при роботі, не доторкайтеся до нього і негайно витягніть його з розетки
- Якщо стружка заблокувала отвір для виходу стружки, відключіть двигун, переконайтеся, що всі рухливі деталі є повністю нерухомі, вийміть вилку з розетки та видаліть стружку, що блокує отвір

ПІСЛЯ ВИКОРИСТАННЯ

- **Опускаяте рубанок донизу тільки після повної зупинки шарошкової головни** (ніж, що видається з-під захисного покриття, може зачепитися за поверхню, що може призвести до втрати контролю та серйозної травми)

ВИКОРИСТАННЯ

- **Заміна/зміна леза ножів ④**
Цей рубанок оснащено незагострюваними ножами з лезами з обох боків; тож, якщо лезо з одного боку притупилось, можна використовувати лезо з іншого боку
! вимкніть інструмент і витягніть вилку з розетки
 - від'єднайте направляючі, якщо їх встановлено
 - візьміть гайковий ключ з контейнера А
 - переверніть інструмент догори дном
 - гайковим ключем трохи послабте 3 болти В (болти не виймайте)
 - виштовхніть ніж з шарошкової головки шматком деревини
 - знову встановіть ніж до шарошкової головки іншим боком або встановіть новий ніж**! паз на ножі має співпадати з виступом тримача леза ножа**
! обидва боки ножа мають виглядати на однукову ширину
! переконайтесь, що грань ножа Х йде в рівень з підшовою рубанка (візьміть лінійну притуліть її навпроти барабану (див. мал), що тримає ніж, збоку, використовуючи її як обмежувач рівно затисніть ножа)
 - добре затягніть 3 болти В гайковим ключем**! часно виконуйте заміну/зміну леза ножів; використовуйте тільки гострі ножі**
! завжди одночасно виконуйте заміну або зміну лез обох ножів
! не намагайтеся відрегулювати ножі за допомогою гвинтів тримача леза ножа С, які було встановлено та затягнуто на заводі-виробнику

- Регулювання глибини стругання (0-3 мм) ⑤
 - повертайте ручку D, щоб вибрати потрібну глибину
 - використовуйте довідкову індикаторну лінію E
 - завжди вибирайте меншу глибину стругання та повторюйте процес стругання та регулювання до отримання потрібної глибини
- **Отвір для видалення стружки ⑥**
 - виберіть потрібну сторону для видалення стружки (ліву або праву) перемикачем G
 - під'єднайте пилосос за допомогою перехідника H до потрібного отвору для видалення стружки, як показано на малюнку
 - можна також під'єднати до вибраного отвору для видалення стружки мішко для сміття J, як показано на малюнку**! не намагайтеся усунути будь-яку перешкоду з отвору для стружки під час обертання ножів**
- **Паркувальний башмак К ⑦**
 - захищає виріб від пошкодження, коли інструмент відкладається вбік
 - під час стругання автоматично складається назад
- **Використання інструменту**
 - регулювання глибини стругання
 - розташуйте інструмент на виріб**! переконайтеся, що на виріб стоїть тільки передня частина рубанку, а ножі виробу не торкаються**
 - увімкніть інструмент, натиснувши на ручку L ② (= аварійний вимикач, який не може бути заблокований) та потягнувши за тригер M ②**! перед тим, як ножі торкнуться виробу, інструмент має працювати на повну потужність**
 - обома руками міцно тримайте інструмент та спрямовуйте його вперед у неперервному русі**! під час роботи, завжди тримайте інструмент за частини захвату сірого кольору ⑧**
 - передня частина інструмент має спиратися на виріб
 - не нахиляйте інструмент, щоб не було небажаних стругальних відміток на поверхні виробу
 - тримайте вентиляційні отвори Q ② незакритими**! перш ніж вимкнути інструмент, його треба відвести від оброблюваного виробу**
 - вимкніть інструмент, відпустивши тригер M
- **Стругальні фальці ⑨**
 - виберіть потрібну глибину стругання
 - виберіть глибину фальцювання за допомогою регулятора глибини фальцювання N
 - розташуйте інструмент на виріб
 - почніть стругання
 - максимальна ширина фальцювання 82 мм
 - максимальна глибина фальцювання 15 мм
- Під час фальцювання Ви зможете досягти найкращих результатів, використовуючи спрямовуючу планку P для регулювання ширини фальцювання ⑩

ПОРАДИ ПО ВИКОРИСТАННЮ

- Для отісування країв використовуйте V-калібрів передній частині ⑪
 - встановіть ручку D у положення "0"
 - виберіть один з 3 V-калібрів**! завжди спочатку тестуйте на взірці металобрухту**

ДОГЛЯД/ОБСЛУГОВУВАННЯ

- Завжди тримайте інструмент та його шнур в чистоті (особливо вентиляційні отвори Q 2) ! **перед чистотою інструменту необхідно роз'єднати штепсельний роз'єм**
- Якщо незважаючи на ретельну технологію виготовлення і перевірки інструмент все-таки вийде з ладу, його ремонт дозволяється виконувати лише в авторизованій сервісній майстерні для електроприладів SKIL
 - надішліть **нерозібраний** інструмент разом з доказом купівлі до Вашого дилера або до найближчого центру обслуговування SKIL (адреси, а також діаграма обслуговування пристрою, подаються на сайті www.skilmasters.com)

ОХОРОНА НАВКОЛИШНЬОЇ СЕРЕДИ

- Не викидайте електроінструмент, належності та упаківку разом зі звичайним сміттям** (тільки для країн ЄС)
 - відповідно до європейської директиви 2012/19/ЄС щодо утилізації старих електричних та електронних приладів, в залежності з місцевим законодавством, електроінструмент, який перебував в експлуатації повинен бути утилізований окремо, безпечним для навколишнього середовища шляхом
 - малюнок 12 нагадує вам про це

ДЕКЛАРАЦІЯ ПРО ВІДПОВІДНІСТЬ СТАНДАРТАМ СЕ

- Ми заявляємо під нашу виключну відповідальність, що описаний в "Технічні дані" продукт відповідає таким нормам або нормативним документам: EN 60745, EN 61000, EN 55014 у відповідності до положень директив 2004/108/EG, 2006/42/EG, 2011/65/EC
- Технічні документи в:** SKIL Europe BV (PT-SEU/ENG1), 4825 BD Breda, NL

Marijn van der Hoofden
Operations & Engineering

Olaf Dijkgraaf
Approval Manager

SKIL Europe BV, 4825 BD Breda, NL

23.12.2013

ШУМ/ВІБРАЦІЯ

- Зміряний відповідно до EN 60745 рівень тиску звуку даного інструменту 91 дБ(А) і потужність звуку 102 дБ(А) (стандартне відхилення: 3 дБ), і вібрація 6,9 м/с² (ручна методика; похибка K = 1,5 м/с²)
- Рівень вібрації було виміряно у відповідності зі стандартизованим випробуванням, що міститься в EN 60745; дана характеристика може використовуватися для порівняння одного інструмента з іншим, а також для попередньої оцінки впливу вібрації під час застосування даного інструмента для вказаних цілей

- при використанні інструмента в інших цілях або з іншими/несправними допоміжними пристосуваннями рівень впливу вібрації може значно **підвищуватися**
 - у періоди, коли інструмент вимкнений або функціонує без фактичного виконання роботи, рівень впливу вібрації може значно **знижуватися**
- ! захищайте себе від впливу вібрації, підтримуючи інструмент і його допоміжні пристосування в справному стані, підтримуючи руки в теплі, а також правильно огранюючи свій робочий процес**

GR

Пλάνη

1570

ΕΙΣΑΓΩΓΗ

- Αυτό το εργαλείο προορίζεται για το πλάνισμα υλικών από ξύλο, π.χ. καθρόνια και σανίδες - είναι επίσης κατάλληλο για το σπάσιμο ακμών και το πλάνισμα όριων γλυφής
- Διαβάστε και φυλάξτε αυτές τις οδηγίες χρήσεως ③

ΤΕΧΝΙΚΑ ΧΑΡΑΚΤΗΡΙΣΤΙΚΑ ①

ΜΕΡΗ ΤΟΥ ΕΡΓΑΛΕΙΟΥ ②

- A Αποθήκευση του κλειδιού
- B Κοχλίας ασφάλισης
- C Βίδες του τμήματος κοπής
- D Κομπτί ρύθμισης βάθους πλάνισματος
- E Δείκτης βάθους πλάνισματος
- F Έξοδος προιονιδιών (αριστερά/δεξιά)
- G Διακόπτης εξόδου προιονιδιών
- H Προσαρμοστικό της ηλεκτρικής σκούπας
- J Σάκκο συλλογής σκόνης
- K Πέδιλο απόθεσης
- L Διακόπτης ασφαλείας
- M Διακόπτης εκκίνησης/στάσης
- N Ρυθμιστή του βάθους γλυφής
- P Οδηγός παράλληλης κοπής
- Q Σχισμές αερισμού

ΑΣΦΑΛΕΙΑ

ΓΕΝΙΚΕΣ ΥΠΟΔΕΙΞΕΙΣ ΑΣΦΑΛΕΙΑΣ

⚠ ΠΡΟΕΙΔΟΠΟΙΗΣΗ! Διαβάστε όλες τις προειδοποιητικές υποδείξεις. Αμέλειες κατά την τήρηση των προειδοποιητικών υποδείξεων μπορεί να προκαλέσουν ηλεκτροπληξία, κίνδυνο πυρκαγιάς ή/και σοβαρούς τραυματισμούς. **Φυλάξτε όλες τις προειδοποιητικές υποδείξεις και οδηγίες για κάθε μελλοντική χρήση.** Ο ορισμός "ηλεκτρικό εργαλείο" που χρησιμοποιείται στις προειδοποιητικές υποδείξεις αναφέρεται σε ηλεκτρικά εργαλεία που τροφοδοτούνται από το ηλεκτρικό δίκτυο (με ηλεκτρικό καλώδιο) καθώς και σε ηλεκτρικά εργαλεία που τροφοδοτούνται από μπαταρία (χωρίς ηλεκτρικό καλώδιο).

1) ΑΣΦΑΛΕΙΑ ΣΤΟ ΧΩΡΟ ΕΡΓΑΣΙΑΣ

- a) **Διατηρείτε το χώρο που εργάζεσθε καθαρό και καλά φωτισμένο.** Αταξία στο χώρο που εργάζεσθε ή μη φωτισμένες περιοχές εργασίας μπορεί να οδηγήσουν σε ατυχήματα.
- b) **Μην εργάζεσθε με το ηλεκτρικό εργαλείο σε περιβάλλον που υπάρχει κίνδυνος έκρηξης, στο οποίο υπάρχουν εύφλεκτα υγρά, αέρια ή σκόνη.** Τα ηλεκτρικά εργαλεία μπορεί να δημιουργήσουν σπινθηρισμό ο οποίος μπορεί να αναφλέξει τη σκόνη ή τις αναθυμιάσεις.
- c) **Όταν χρησιμοποιείτε το ηλεκτρικό εργαλείο κρατάτε τα παιδιά κι άλλα τυχόν πρόσωπα μακριά από το χώρο που εργάζεσθε.** Σε περίπτωση που άλλα άτομα αποσπάσουν την προσοχή σας μπορεί να χάσετε τον έλεγχο του μηχανήματος.
- ### 2) ΗΛΕΚΤΡΙΚΗ ΑΣΦΑΛΕΙΑ
- a) **Το φως του καλωδίου του ηλεκτρικού εργαλείου πρέπει να ταιριάζει στην αντίστοιχη πρίζα. Δεν επιτρέπεται με κανένα τρόπο η μετασκευή του φως.** Μη χρησιμοποιείτε προσαρμοστικά φως σε συνδυασμό με ηλεκτρικά εργαλεία συνδεδεμένα με τη γη (γειωμένα). Αθικτα φως και κατάλληλες πρίζες μειώνουν τον κίνδυνο ηλεκτροπληξίας.
- b) **Αποφεύγετε την επαφή του σώματος σας με γειωμένες επιφάνειες όπως σωλήνες, θερμαντικά σώματα (καλοριφέρ), κουζίνες και ψυγεία.** Όταν το σώμα σας είναι γειωμένο αυξάνεται ο κίνδυνος ηλεκτροπληξίας.
- c) **Μην εκθέτετε το ηλεκτρικό εργαλείο στη βροχή ή την υγρασία.** Η διείσδυση νερού στο ηλεκτρικό εργαλείο αυξάνει τον κίνδυνο ηλεκτροπληξίας.
- d) **Μη χρησιμοποιείτε το καλώδιο για να μεταφέρετε ή ν'αναρτήσετε το ηλεκτρικό εργαλείο ή για να βγάλετε το φως από την πρίζα. Κρατάτε το καλώδιο μακριά από υψηλές θερμοκρασίες, λάδια, κοφτερές ακμές ή κινούμενα εξαρτήματα.** Τυχόν χαλασμένα ή μπερδεμένα καλώδια αυξάνουν τον κίνδυνο ηλεκτροπληξίας.
- e) **Όταν εργάζεσθε με το ηλεκτρικό εργαλείο στο ύπαιθρο χρησιμοποιείτε πάντοτε καλώδια επιμήκυνσης (μπαλαντάζες) που έχουν εγκριθεί για χρήση σε εξωτερικούς χώρους.** Η χρήση καλωδίων επιμήκυνσης εγκριμένων για εργασία σε εξωτερικούς χώρους μειώνει τον κίνδυνο ηλεκτροπληξίας.
- f) **Όταν η χρήση του ηλεκτρικού εργαλείου σε υγρό περιβάλλον είναι αναπόφευκτη, τότε χρησιμοποιήστε έναν προστατευτικό διακόπτη διαρροής.** Η χρήση ενός προστατευτικού διακόπτη διαρροής ελαττώνει τον κίνδυνο ηλεκτροπληξίας.
- ### 3) ΑΣΦΑΛΕΙΑ ΠΡΟΣΩΠΩΝ
- a) **Να είστε πάντοτε προσεκτικός/προσεκτική, να δίνετε προσοχή στην εργασία που κάνετε και να χειριζόσθε το ηλεκτρικό εργαλείο με περισκεψη.** Μην κάνετε χρήση του ηλεκτρικού εργαλείου όταν είστε κουρασμένος/κουρασμένη ή όταν βρίσκεσθε υπό την επιρροή ναρκωτικών, οιοπνεύματος ή φαρμάκων. Μια στιγμήαία απροσεξία κατά το χειρισμό του ηλεκτρικού εργαλείου μπορεί να οδηγήσει σε σοβαρούς τραυματισμούς.

- b) **Φοράτε προστατευτικά ενδύματα και πάντοτε προστατευτικά γυαλιά.** Όταν φοράτε ενδύματα ασφαλείας, ανάλογα με το υπό χρήση ηλεκτρικό εργαλείο, όπως προσωπίδα προστασίας από σκόνη, αντιολισθηκά παπούτσια ασφαλείας, κράνη ή ωτασπίδες, μειώνεται ο κίνδυνος τραυματισμών.
- c) **Αποφεύγετε την αθέλητη εκκίνηση. Βεβαιωθείτε ότι το ηλεκτρικό εργαλείο έχει αποευχθεί πριν το συνδέσετε με το ηλεκτρικό δίκτυο ή/και με την μπαταρία καθώς και πριν το παραλάβετε ή το μεταφέρετε.** Όταν μεταφέρετε το ηλεκτρικό εργαλείο έχοντας το δάχτυλό σας στο διακόπτη ή όταν συνδέσετε το μηχάνημα με την πηγή ρεύματος όταν αυτό είναι ακόμη συζευγμένο, τότε δημιουργείται κίνδυνος τραυματισμών.
- d) **Αφαιρείτε από τα ηλεκτρικά εργαλεία πριν τα θέσετε σε λειτουργία τυχόν συναρμολογημένα χρησιμοποιήσιμα εργαλεία ή κλειδιά.** Ενα εργαλείο ή κλειδί συναρμολογημένο στο περιστρεφόμενο εξάρτημα ενός ηλεκτρικού εργαλείου μπορεί να οδηγήσει σε τραυματισμούς.
- e) **Μην υπερκινείτε τον εαυτό σας. Φροντίζετε για την ασφαλή στήριξη του σώματος σας και διατηρείτε πάντοτε την ισορροπία σας.** Αυτό σας επιτρέπει τον καλύτερο έλεγχο το ηλεκτρικού εργαλείου σε περιπτώσεις απροσδόκητων καταστάσεων.
- f) **Φοράτε κατάλληλη ενδυμασία εργασίας. Μη φοράτε φαρδιά ενδύματα ή κοσμήματα. Κρατάτε τα μαλλιά σας, τα ενδύματα σας και τα γάντια σας μακριά από τα κινούμενα εξαρτήματα.** Χαλαρή ενδυμασία, κοσμήματα και μακριά μαλλιά μπορεί να εμπλακούν στα κινούμενα εξαρτήματα.
- g) **Αν υπάρχει η δυνατότητα συναρμολόγησης διατέξων αναρρόφησης ή συλλογής σκόνης, βεβαιωθείτε αν οι διατάξεις αυτές είναι συνδεδεμένες καθώς κι αν χρησιμοποιούνται σωστά.** Η χρήση μιας αναρρόφησης σκόνης μπορεί να ελαττώσει τον κίνδυνο που προκαλείται από τη σκόνη.
- ### 4) ΧΡΗΣΗ ΚΙ ΕΠΙΜΕΛΗΣ ΧΕΙΡΙΣΜΟΣ ΤΩΝ ΗΛΕΚΤΡΙΚΩΝ ΕΡΓΑΛΕΙΩΝ
- a) **Μην υπερφορτώνετε το ηλεκτρικό εργαλείο.** Χρησιμοποιήστε για την εκάστοτε εργασία σας το ηλεκτρικό εργαλείο που προορίζεται γι' αυτήν. Με το κατάλληλο ηλεκτρικό εργαλείο εργάζεσθε καλύτερα και ασφαλέστερα στην αναφερόμενη περιοχή ισχύος.
- b) **Μη χρησιμοποιήσετε ποτέ ένα ηλεκτρικό εργαλείο του οποίου ο διακόπτης ON/OFF είναι χαλασμένος.** Ενα ηλεκτρικό εργαλείο το οποίο δεν μπορεί να θεθεί πλέον σε ή εκτός λειτουργίας είναι επικίνδυνο και πρέπει να επισκευαστεί.
- c) **Βγάξτε το φως από την πρίζα και/ή αφαιρέστε την μπαταρία πριν διεξάγετε στο εργαλείο μια οποιαδήποτε εργασία ρύθμισης, πριν αλλάξετε ένα εξάρτημα ή όταν πρόκειται να διαφυλάξετε/να αποθηκεύσετε το εργαλείο.** Αυτά τα προληπτικά μέτρα ασφαλείας μειώνουν τον κίνδυνο από τυχόν αθέλητη εκκίνηση του ηλεκτρικού εργαλείου.
- d) **Διαφυλάγετε τα ηλεκτρικά εργαλεία που δε χρησιμοποιείτε μακριά από παιδιά. Μην αφήνετε άτομα που δεν είναι εξοικειωμένα με το ηλεκτρικό εργαλείο ή δεν έχουν διαβάσει αυτές**

τις οδηγίες χρήσης να το χρησιμοποιήσουν. Τα ηλεκτρικά εργαλεία είναι επικίνδυνα όταν χρησιμοποιούνται από άπειρα πρόσωπα.

- e) **Να περιποείτε προσεκτικά το ηλεκτρικό σας εργαλείο και να ελέγχετε, αν τα κινούμενα τμήματα του λειτουργούν άψογα και δεν μπλοκάρουν, ή μήπως έχουν χαλάσει ή σπάσει εξαρτήματα, τα οποία επηρεάζουν έτσι αρνητικά τον τρόπο λειτουργίας του ηλεκτρικού εργαλείου. Δώστε τυχόν χαλασμένα εξαρτήματα του ηλεκτρικού εργαλείου για επισκευή πριν το χρησιμοποιήσετε πάλι.** Η ανεπαρκής συντήρηση των ηλεκτρικών εργαλείων αποτελεί αιτία πολλών ατυχημάτων.
- f) **Διατηρείτε τα κοπτικά εργαλεία κοφτερά και καθαρά.** Τα κοπτικά εργαλεία που συντηρούνται με προσοχή μπορούν να οδηγηθούν εύκολα και να ελεγχθούν καλύτερα.
- g) **Χρησιμοποιείτε τα ηλεκτρικά εργαλεία, τα εξαρτήματα, τα χρησιμοποιήσιμα εργαλεία κτλ. σύμφωνα με τις παρούσες οδηγίες καθώς. Λαμβάνετε ταυτόχρονα υπόψη σας τις συνθήκες εργασίας και την υπό εκτέλεση εργασία.** Η χρήση του ηλεκτρικού εργαλείου για άλλες εκτός από τις προβλεπόμενες εργασίες μπορεί να δημιουργήσει επικίνδυνες καταστάσεις.

5) SERVICE

- a) **Δίνετε το ηλεκτρικό σας εργαλείο για επισκευή από άριστα ειδικευμένο προσωπικό, μόνο με γνήσια ανταλλακτικά.** Ετσι εξασφαλίζεται η διατήρηση της ασφάλειας του ηλεκτρικού εργαλείου.

ΟΔΗΓΙΕΣ ΑΣΦΑΛΕΙΑΣ ΓΙΑ ΠΛΑΝΕΣ

ΓΕΝΙΚΑ

- Αυτό το εργαλείο δεν πρέπει να χρησιμοποιείται από άτομα κάτω των 16 ετών
- Η ηχητική στάθμη κατά την εργασία ενδέχεται να ξεπεράσει τα 85 dB(A) - γι' αυτό θα πρέπει να φοράτε προστασία ακοής
- **Μην κατεργάζεστε υλικά που περιέχουν αμιάντο** (το αμιάντο θεωρείται σαν καρκινογόνο υλικό)
- Η σκόνη από υλικά όπως μογιές που περιέχουν μόλυβδο, ορισμένα είδη ξύλου, ανόργανα στοιχεία και μέταλλα μπορεί να είναι επιβλαβής (η επαφή ή η εισπνοή της σκόνης μπορεί να προκαλέσει αλλεργικές αντιδράσεις ή/και αναπνευστικές ασθένειες στον χειριστή ή σε άτομα που παρίστανται) - **να φοράτε προσωπίδα προστασίας από τη σκόνη και να εργάζεστε με συσκευή αφαίρεσης σκόνης όταν είναι δυνατό**
- Ορισμένα είδη σκόνης ταξινομούνται ως καρκινογόνα (όπως η σκόνη από τη δρυ ή την οξιά) ιδιαίτερα σε συνδυασμό με πρόσθετα συντήρησης ξύλου - **να φοράτε προσωπίδα προστασίας από τη σκόνη και να εργάζεστε με συσκευή αφαίρεσης σκόνης όταν είναι δυνατό**
- Ακολουθήστε τις σχετικές με σκόνη θενικές διατάξεις για τα υλικά που θέλετε να εργαστείτε
- Η SKIL εγγυάται την τέλεια λειτουργία του εργαλείου μόνο όταν χρησιμοποιούνται σωστά εξαρτήματα, τα οποία μπορείτε να προμηθευτείτε από το τοπικό κατάστημα διανομής εργαλείων SKIL

- Ποτέ μη χρησιμοποιείτε το εργαλείο όταν έχει υποστεί βλάβη το καλώδιο - το καλώδιο θα πρέπει να αντικατασταθεί από έναν εξειδικευμένο τεχνίτη
- **Πάντα να αποσυνδέεται την πρίζα από το ηλεκτρικό δίκτυο πριν κάνετε κάποια ρύθμιση ή αλλάξετε εξάρτημα**

ΠΡΙΝ ΑΠΟ ΤΗ ΧΡΗΣΗ

- Βεβαιωθείτε ότι η τάση του παρεχόμενου ρεύματος είναι ίδια με την τάση που υποδεικνύεται στην πινακίδα δεδομένων του εργαλείου (εργαλεία που φέρουν την ένδειξη 230V ή 240V μπορούν να συνδεθούν επίσης σε πρίζα 220V)
- Προφυλάξτε το εργαλείο από τυχόν φθορές από ξένα σώματα (βίδες, καρφιά ή άλλα) που ίσως είναι μέσα στο κομμάτι που θα δουλέψετε - αφαιρέστε τα πριν αρχίσετε την εργασία
- Πριν χρησιμοποιήσετε το εργαλείο, βεβαιωθείτε ότι τα μαχαίρια κινούνται ελεύθερα
- Χρησιμοποιείτε ασφαλείς, τελειώς ξετυλιγμένες προεκτάσεις καλωδίου με χωρητικότητα 16 Amps
- **Χρησιμοποιήστε σφινγκήρες ή άλλο πρακτικό μέσο για να στερεώσετε και να υποστηρίξετε το κομμάτι εργασίας σε ευσταθή πλατφόρμα** (αν κρατάτε το κομμάτι εργασίας με το χέρι ή πάνω στο σώμα σας, αυτό δεν σταθεροποιείται και υπάρχει κίνδυνος απώλειας του ελέγχου)

ΚΑΤΑ ΤΗ ΧΡΗΣΗ

- **Κρατήστε το ηλεκτρικό εργαλείο από τις μονωμένες επιφάνειες συγκράτησης, καθώς ο μηχανισμός κοπής μπορεί να έρθει σε επαφή με το καλώδιό του** (το κόψιμο ενός ηλεκτροφόρου καλωδίου ενδέχεται να κάνει ηλεκτροφόρα τα εκτεθειμένα μεταλλικά μέρη του ηλεκτρικού εργαλείου και να προκαλέσει ηλεκτροπληξία στον χειριστή)
- Να κρατάτε πάντα το καλώδιο μακριά από τα κινούμενα μέρη του εργαλείου σας - κρατάτε το καλώδιο προς τα πίσω, μακριά από το εργαλείο
- Κρατάτε τα δάκτυλά σας μακριά από τα περιστρεφόμενα μαχαίρια
- Σε περίπτωση ηλεκτρικής ή μηχανικής δυσλειτουργίας, σταματήστε αμέσως το εργαλείο και βγάλτε το από την πρίζα
- Σε περίπτωση που υποστεί βλάβη ή κοπεί το καλώδιο κατά την εργασία, μην αγγίζετε το καλώδιο, αλλά αποσυνδέστε αμέσως το φις από την πρίζα
- Αν κάποιο θραύσμα φρακαριστεί στην δίοδο θραυσμάτων, θα πρέπει να σβήσετε το εργαλείο, να σιγουρευτείτε ότι όλα τα κινούμενα μέρη είναι εντελώς στάσιμα, να βγάλετε την πρίζα και να αφαιρέσετε το φρακαρισμένο θραύσμα

ΜΕΤΑ ΤΗ ΧΡΗΣΗ

- **Περιμένετε έως ότου σταματήσει τελειώς ο μηχανισμός κοπής πριν αφήσετε κάτω το εργαλείο** (ένα γυμνό μαχαίρι θα μπορούσε να έρθει σε επαφή με την επιφάνεια, με αποτέλεσμα την απώλεια του ελέγχου του εργαλείου και τον σοβαρό τραυματισμό του χειριστή)

ΧΡΗΣΗ

- Αντικατάσταση/αναποδογύρισμα μαχαiriών ④
Αυτή η πλάνη διαθέτει μη τροχιζόμενα μαχαίρια με κοπτικά άκρα και στις δύο πλευρές - σε περίπτωση που

στομώσει η μία πλευρά, μπορείτε να χρησιμοποιήσετε την άλλη πλευρά του μαχαιριού

! απενεργοποιήστε το εργαλείο και βγάλτε το φια από την πρίζα

- αφαιρέστε τυχόν οδηγούς, αν έχουν τοποθετηθεί
- βγάλτε το κλειδί από τη αποθήκευση A
- αναποδογυρίστε το εργαλείο
- ξεσφίξτε τους 3 κοχλίες B με το κλειδί (μην τους αφαιρείτε τελείως)
- χρησιμοποιώντας ένα κομμάτι ξύλο, σπρώξτε το μαχαίρι για να βγει από τον μηχανισμό κοπής
- ξαναβάλτε το μαχαίρι με την ανάποδη πλευρά στον μηχανισμό κοπής, ή χρησιμοποιήστε ένα νέο μαχαίρι

! η εγκοπή στο μαχαίρι θα πρέπει να εφαρμόζει στην προεξοχή του τμήματος κοπής

! τα δύο άκρα των μαχαιριών θα πρέπει να εξέχουν κατά την ίδια απόσταση

! βεβαιωθείτε όπως τη ακρη του μαχαιριού X αναυγραμμίζεται με την ακρη του πέλματος (βάλτε ένα χάρακα επίπεδα πάνω, όπως δείχνει η εικόνα, και χρησιμοποιείτε τα ως στόπερ)

- σφίξτε καλά τους 3 κοχλίες B, χρησιμοποιώντας το κλειδί

! θα πρέπει να αλλάξετε/αναποδογυρίζετε εγκαίρως τα μαχαίρια - χρησιμοποιείτε μόνο αιχμηρά μαχαίρια

! θα πρέπει πάντοτε να αλλάξετε/

αναποδογυρίζετε ταυτόχρονα τα δύο μαχαίρια

! μην επιχειρείτε να ρυθμίσετε τα μαχαίρια με τις βίδες του τμήματος κοπής C, αυτές οι βίδες έχουν ρυθμιστεί από το εργοστάσιο

- Ρύθμιση του βάθους πλανίσματος (0-3 χλστ.) ⑤
 - γυρίστε το κουμπί D για να επιλέξετε το επιθυμητό βάθος
 - χρησιμοποιήστε την ενδεικτική γραμμή E ως σημείο αναφοράς
 - θα πρέπει πάντοτε να επιλέγετε μικρό βάθος πλανίσματος και να επαναλαμβάνετε τη διαδικασία πλανίσματος και ρύθμισης μέχρι να φτάσετε στο επιθυμητό βάθος
- Έξοδος πριονιδιών ⑥
 - με τη βοήθεια του διακόπτη G επιλέξτε την επιθυμητή πλευρά εξόδου των πριονιδίων (αριστερά ή δεξιά)
 - συνδέστε την ηλεκτρική σκούπα με τον προσαρμογέα H στην επιλεγμένη έξοδο των πριονιδίων, όπως απεικονίζεται
 - μπορείτε επίσης να συνδέσετε την σακούλα συλλογής σκόνης J στην επιλεγμένη έξοδο των πριονιδίων, όπως απεικονίζεται
- ! μην επιχειρείτε να αφαιρέσετε οποιοδήποτε αντικείμενο από την έξοδο των πριονιδίων καθώς περιστρέφονται τα μαχαίρια**
- Πέδιλο απόθεσης K ⑦
 - προστατεύει το κατεργαζόμενο κομμάτι από βλάβες όταν αφήνετε στην άκρη το εργαλείο
 - διπλώνει αυτόματα προς τα πίσω κατά τη διάρκεια του πλανίσματος
- Χειρισμός του εργαλείου
 - ρυθμίστε το βάθος πλανίσματος
 - τοποθετήστε το εργαλείο επάνω κομμάτι

! βεβαιωθείτε ότι στηρίζεται μόνο το μπροστινό πέλμα στο κατεργαζόμενο κομμάτι και ότι τα μαχαίρια δεν το αγγίζουν

- ενεργοποιήστε το εργαλείο πιέζοντας πρώτα το κουμπί L ② (= διακόπτης ασφαλείας που δεν μπορεί να κλειδωθεί) και τραβώντας στη συνέχεια τη σκανδάλη M ②

! το εργαλείο θα πρέπει να λειτουργεί σε πλήρη ταχύτητα πριν ακουμπήσουν τα μαχαίρια το κατεργαζόμενο κομμάτι

- κρατήστε το εργαλείο σταθερά με τα δυο σας χέρια και οδηγήστε το προς τα μπροστά με μία συνεχή κίνηση

! ενώ εργάζεστε, να κρατάτε πάντα το εργαλείο από τη/τις λαβή/ές με γκρι χρώμα ③

- όταν χρησιμοποιείτε το εργαλείο, φροντίστε ώστε η πλάκα βάσης να στηρίζεται στο κατεργαζόμενο κομμάτι

- μη γείρετε το εργαλείο για να αποφύγετε ανεπιθύμητα σημάδια πλανίσματος
- κρατάτε τις σχισμές αερισμού Q ② ακάλυπτες

! προτού σταματήσετε το εργαλείο πρέπει να το ανασηκώσετε από το κατεργαζόμενο κομμάτι

- σβήστε το εργαλείο αφήνοντας τη σκανδάλη M

- Ορια γλυφής πλανίσματος ④
 - επιλέξτε το ζητούμενο βάθος πλανίσματος
 - ρυθμίστε το βάθος γλυφής χρησιμοποιώντας το ρυθμιστή του βάθους γλυφής N
 - τοποθετήστε το εργαλείο επάνω κομμάτι
 - ξεκινήστε το πλάνισμα
 - μέγιστο πλάτος γλυφής 82 χλστ.
 - μέγιστο βάθος γλυφής 15 χλστ.
- Όταν πλανίζετε στα όρια γλυφής θα έχετε καλύτερα αποτελέσματα αν χρησιμοποιήσετε έναν οδηγό εύθειας P για να ρυθμίσετε το πλάτος της γλυφής ⑩

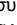
ΟΔΗΓΙΕΣ ΕΦΑΡΜΟΓΗΣ

- Για το σπάσιμο ακμών χρησιμοποιήστε τις εγκοπές "V" στο μπροστινό πέλμα ⑪
 - ρυθμίστε το κουμπί D στη θέση "0"
 - επιλέξτε μία από τις 3 εγκοπές "V"
- ! πάντα δοκιμάστε πρώτα πάνω σ'ένα κομμάτι άχρηστο υλικό**

ΣΥΝΤΗΡΗΣΗ / ΣΕΡΒΙΣ

- Κρατάτε πάντοτε το εργαλείο και το καλώδιο καθαρά (και ιδιαίτερα τις θυρίδες αερισμού Q ②)
- ! αφαιρέστε την πρίζα πριν το καθάρισμα**
- Αν παρ' όλες τις επιμελημένες μεθόδους κατασκευής κι ελέγχου το εργαλείο σταματήσει κάποτε να λειτουργεί, τότε η επισκευή του πρέπει να ανατεθεί σ' ένα εξουσιοδοτημένο συνεργείο για ηλεκτρικά εργαλεία της SKIL
 - στείλτε το εργαλείο **χωρίς να το αποσυναρμολογήσετε** μαζί με την απόδειξη αγοράς στο κατάστημα από το οποίο το αγοράσατε ή στον πλησιέστερο σταθμό τεχνικής εξυπηρέτησης της SKIL (θα βρείτε τις διευθύνσεις και το διάγραμμα συντήρησης του εργαλείου στην ιστοσελίδα www.skilmasters.com)

ΠΕΡΙΒΑΛΛΟΝ

- Μην πετάτε τα ηλεκτρικά εργαλεία, εξαρτήματα και συσκευασία στον κάδο οικιακών απορριμμάτων (μόνο για τις χώρες της ΕΕ)
 - σύμφωνα με την ευρωπαϊκή οδηγία 2012/19/ΕΚ περί ηλεκτρικών και ηλεκτρονικών συσκευών και την ενσωμάτωσή της στο εθνικό δίκαιο, τα ηλεκτρικά εργαλεία πρέπει να συλλέγονται ξεχωριστά και να επιστρέφονται για ανακύκλωση με τρόπο φιλικό προς το περιβάλλον
 - το σύμβολο  θα σας το θυμήσει αυτό όταν έλθει η ώρα να πετάξετε τις

ΔΗΛΩΣΗ ΣΥΜΜΟΡΦΩΣΗΣ CE

- Δηλώνουμε υπευθύνως ότι το προϊόν που περιγράφεται στα "Τεχνικά χαρακτηριστικά" εκπληρώνει τους εξής κανονισμούς ή κατασκευαστικές συστάσεις: EN 60745, EN 61000, EN 55014 σύμφωνα με τις διατάξεις των οδηγιών 2004/108/ΕΚ, 2006/42/ΕΚ, 2011/65/ΕΕ
- Τεχνικός φάκελος από: SKIL Europe BV (PT-SEU/ENG1), 4825 BD Breda, NL

Marijn van der Hoofden
Operations & Engineering

Olaf Dijkgraaf
Approval Manager



SKIL Europe BV, 4825 BD Breda, NL

23.12.2013

ΘΟΡΥΒΟ/ΚΡΑΔΑΣΜΟΥΣ


- Μετρημένη σύμφωνα με EN 60745 η στάθμη ακουστικής πίεσης αυτού του εργαλείου ανέρχεται σε 91 dB(A) και η στάθμη ηχητικής ισχύος σε 102 dB(A) (κοινή απόκλιση: 3 dB), και ο κραδασμός σε 6,9 m/s² (μεθοδος χειρός/βραχίονα - ανασφάλεια K = 1,5 m/s²)
 - Το επίπεδο παραγωγής κραδασμών έχει μετρηθεί σύμφωνα με μια τυποποιημένη δοκιμή που αναφέρεται στο πρότυπο EN 60745 - μπορεί να χρησιμοποιηθεί για τη σύγκριση ενός εργαλείου με ένα άλλο, καθώς και ως προκαταρκτική αξιολόγηση της έκθεσης στους κραδασμούς όταν το εργαλείο χρησιμοποιείται για τις εφαρμογές που αναφέρονται
 - η χρήση του εργαλείου για διαφορετικές εφαρμογές ή με διαφορετικά ή κακοσυντηρημένα εξαρτήματα μπορεί να αυξήσει σημαντικά το επίπεδο έκθεσης
 - όταν το εργαλείο είναι απενεργοποιημένο ή δουλεύει αλλά δεν εκτελεί την εργασία, το επίπεδο έκθεσης μπορεί να μειωθεί σημαντικά
- ! προστατευτείτε από τις επιδράσεις των κραδασμών συντηρώντας σωστά το εργαλείο και τα εξαρτήματά του, διατηρώντας τα χέρια σας ζεστά και οργανώνοντας τον τρόπο εργασίας σας**

RO

Rindele

1570

INTRODUCERE

- Această sculă se utilizează pentru slefuirea materialului lemnos precum scânduri; se preteată la țesirea colțurilor și fălțuire
- Citiți și păstrați acest manual de instrucțiuni 


DATE TEHNICE

ELEMENTELE SCULEI

- A Loçaș pentru cheia
- B Șurub de fixare
- C Șuruburi pentru blocul port-cuțite
- D Buton pentru stabilirea adâncimii de rindeluire
- E Indicator pentru adâncimea de rindeluire
- F Ieșire talaș (stânga/dreapta)
- G Comutator ieșire talaș
- H Adaptor aspiratorului
- J Sacul pentru praf
- K Sabot de staționare
- L Întrerupător de siguranță
- M Întrerupător pornit/oprit
- N Ajustatorul adâncimii de fălțuire
- P Riglă de ghidare pentru caneluri
- Q Fantele de ventilație

SIGURANȚA

INSTRUCȚIUNI DE SIGURANȚĂ GENERALE

 **ATENȚIE!** Citiți toate indicațiile de avertizare și instrucțiunile. Nerespectarea indicațiilor de avertizare și a instrucțiunilor poate provoca electrocutare, incendii și/sau răni grave. **Păstrați toate indicațiile de avertizare și instrucțiunile în vederea utilizărilor viitoare.** Termenul de "sculă electrică" folosit în indicațiile de avertizare se referă la sculele electrice alimentate de la rețea (cu cablu de alimentare) și la sculele electrice cu acumulator (fără cablu de alimentare).

1) SIGURANȚA LA LOCUL DE MUNCĂ

- Păstrați-vă locul de muncă curat și bine iluminat.** Dezordinea la locul de muncă sau existența unor sectoare de lucru neiluminate poate duce la accidente.
- Nu folosiți mașina în medii cu pericol de explozie, acolo unde există lichide, gaze sau pulberi inflamabile.** Sculele electrice pot produce scânteii care să aprindă pulberile sau vaporii.
- Nu permiteți accesul copiilor și al altor persoane în timpul lucrului cu mașina.** Dacă vi se distrage atenția puteți pierde controlul asupra mașinii.

2) SECURITATE ELECTRICĂ

- Ștecherul de racordare a mașinii trebuie să se potrivească cu priza de alimentare. Nu este permisă în nici-un caz modificarea ștecherului. Nu folosiți adaptoare pentru ștechere la mașinile legate la**

- pământ.** Ștecherile nemodificate și prizele de curent adecvate acestora reduc riscul de electrocutare.
- b) **Evitați contactul corporal cu suprafețe legate la pământ ca țevi, radiatoare, plite electrice și frigider.** Există un risc crescut de electrocutare atunci când corpul dv. este și el legat la pământ.
- c) **Nu lăsați mașina afară în ploaie sau în mediu umed.** Riscul de electrocutare crește atunci când într-o sculă electrică pătrunde apă.
- d) **Nu trageți niciodată mașina de cordonul de alimentare pentru a o transporta, a o atârna sau a scoate ștecherul din priza de curent. Feriți cordonul de alimentare de căldură, ulei, muchii ascuțite sau de subsamabile aflate în mișcare.** Un cordon de alimentare deteriorat sau înfășurat mărește riscul de electrocutare.
- e) **Atunci când lucrați cu scula electrică în aer liber, folosiți numai cordoane prelungitoare autorizate pentru exterior.** Întrebuițarea unui cordon prelungitor adecvat utilizării în aer liber reduce riscul de electrocutare.
- f) **Atunci când nu poate fi evitată utilizarea sculei electrice în mediu umed, folosiți un întrerupător de circuit cu împământare.** Folosirea unei întrerupător de circuit cu împământare reduce riscul de electrocutare.
- 3) SECURITATEA PERSOANELOR**
- a) **Fiiți vigilenți, fiiți atenți la ceea ce faceți și procedați rațional atunci când lucrați cu scula electrică. Nu folosiți mașina dacă sunteți obosiți sau vă aflați sub influența drogurilor, alcoolului sau a medicamentelor.** Un moment de neatenție în timpul lucrului cu mașina poate duce la răni grave.
- b) **Purtați echipament de protecție personală și întotdeauna ochelari de protecție.** Folosirea echipamentelor de protecție a persoanei ca mască de protecție împotriva prafului, încălțăminte antiderapantă, cască de protecție sau aparat de protecție auditivă, în funcție de tipul și domeniul de folosire al sculei electrice, reduce riscul rănilor.
- c) **Evitați o punere în funcțiune involuntară. Înainte de a introduce ștecherul în priză și/sau de a introduce acumulatorul în scula electrică, de a o ridica sau de a o transporta, asigurați-vă că aceasta este oprită.** Dacă atunci când transportați scula electrică țineți degetul pe întrerupător sau dacă porniți scula electrică înainte de a o racorda la rețeaua de curent, puteți provoca accidente.
- d) **Înainte de a pune mașina în funcțiune scoateți afară cheile reglabile și fixe.** O cheie reglabilă sau fixă, aflată într-o componentă de mașină care se rotește, poate provoca răni.
- e) **Nu vă supraapreciați. Asigurați-vă o poziție stabilă și păstrați-vă întotdeauna echilibrul.** Astfel veți putea controla mai bine mașina în situații neașteptate.
- f) **Purtați îmbrăcăminte de lucru adecvată. Nu purtați haine largi sau podoabe. Țineți părul, îmbrăcăminte și mănușile departe de componente aflate în mișcare.** Îmbrăcăminte largă, podoabele și părul lung pot fi prinse de piesele aflate în mișcare.
- g) **Dacă există posibilitatea montării de echipamente și instalații de aspirare și colectare a prafului, asigurați-vă că acestea sunt conectate și folosite**

corect. Folosirea unei instalații de aspirare a prafului poate duce la reducerea poluării cu praf.

4) MANEVRAȚI ȘI FOLOȘIȚI CU GRIJĂ SCULELE ELECTRICE

- a) **Nu suprasolicitați mașina. Folosiți scula electrică destinată executării lucrării dumneavoastră.** Cu scula electrică potrivită lucrăți mai bine și mai sigur în domeniul de putere specificat.
- b) **Nu folosiți scula electrică dacă are întrerupătorul defect.** O sculă electrică, care nu mai poate fi pornită sau oprită este periculoasă și trebuie reparată.
- c) **Scoateți ștecherul afară din priză și/sau îndepărtați acumulatorul, înainte de a executa reglaje, a schimba accesoriul sau de a pune mașina la o parte.** Această măsură preventivă reduce riscul unei porniri involuntare a mașinii.
- d) **În caz de nefolosire păstrați mașinile la loc inaccesibil copiilor. Nu permiteți persoanelor care nu sunt familiarizate cu mașina sau care n-au citit prezentele instrucțiuni, să folosească mașina.** Sculele electrice sunt periculoase atunci când sunt folosite de persoane fără experiență.
- e) **Întrețineți-vă cu grijă mașina. Controlați dacă componentele mobile funcționează corect și dacă nu se blochează, dacă nu există piese defecte sau deteriorate, care să afecteze funcționarea mașinii.** Înainte de a repune în funcțiune mașina, duceți-o la un atelier de asistență service pentru repararea sau înlocuirea pieselor deteriorate. Multe accidente s-au datorat întreținerii defectuoase a sculelor electrice.
- f) **Păstrați accesoriile bine ascuțite și curate.** Accesoriile atent întreținute, cu muchii tăietoare bine ascuțite se blochează mai greu și pot fi conduse mai ușor.
- g) **Folosiți sculele electrice, accesoriile, dispozitivele de lucru etc. conform prezentelor instrucțiuni. Țineți seama de condițiile de lucru și de lucrarea care trebuie executată.** Întrebuițarea unor scule electrice destinate altor utilizări decât cele preconizate, poate duce la situații periculoase.
- 5) SERVICE**
- a) **Permiteți repararea mașinii dumneavoastră numai de către un specialist calificat și numai cu piese de schimb originale.** În acest mod este garantată menținerea siguranței de exploatare a mașinii.

INSTRUCȚIUNI DE SIGURANȚĂ PENTRU RINDELI

GENERALITĂȚI

- Această sculă nu trebuie să fie folosit de persoane sub 16 ani
- Când este utilizat, nivelul de zgomot poate depăși 85 dB(A); este necesar să purtați echipament de protecție pentru urechi
- **Nu prelucrați materiale care conțin azbest** (azbestul este considerat a fi cancerigen)
- Praful rezultat din materiale precum vopseaua care conține plumb, unele specii de lemn, minerale și metale poate fi periculos (contactul cu praful sau inhalarea acestuia poate provoca reacții alergice și/sau afecțiuni respiratorii operatorului sau persoanelor care stau în apropiere); **purtați o mască de praf și lucrați cu un dispozitiv de extragere a prafului când poate fi conectat**

- Anumite tipuri de praf sunt clasificate ca fiind cancerigene (cum ar fi praful de stejar și fag) în special în combinație cu aditivi pentru tratarea lemnului; **purtați o mască de praf și lucrați cu un dispozitiv de extragere a prafului când poate fi conectat**
- Respectați reglementările naționale referitoare la aspirația prafului în funcție de materialele de lucru folosite
- SKIL garantează funcționarea perfectă a sculei electrice numai dacă sunt folosite accesoriile corecte, care pot fi obținute de la dealerul dumneavoastră de produse SKIL
- Nu folosiți scula atunci când cordonul sau prezintă defecțiuni; înlocuirea lor se va efectua de o persoană autorizată
- **Decuplați întotdeauna ștecherul de la sursa de alimentare înainte de a face o reglare sau o schimbare de accesoriu**

ÎNAINTEA UTILIZĂRII

- Verificați întotdeauna dacă tensiunea de alimentare este aceeași cu tensiunea indicată pe plăcuța de identificare a sculei (sculele cu o specificație de 230V și 240V pot fi conectate și la alimentare de 220V)
- Evitați daunele provocate de șuruburi, țiște și alte elemente din timpul lucrului; înlăturați aceste elemente înainte de a trece la acțiune
- Înainte de a folosi mașina, verificați dacă cuțitele nu freacă în anumite puncte
- Folosiți cabluri de prelungire derulate complet, protejate/izolate, cu o capacitate de 16 amperi
- **Folosiți clame sau alte metode practice pentru a securiza și susține piesa de prelucrat pe o platformă stabilă** (dacă țineți piesa cu mâna sau sprijinită de corp va fi instabilă și puteți pierde controlul asupra ei)

ÎN TIMPUL FUNCȚIONĂRII

- **Apucați mașina de mânerul izolat, deoarece cuțitul poate atinge propriul său cordon** (tăierea unui cablu electric "aflat sub tensiune" poate determina "punerea sub tensiune" a părților metalice expuse ale mașinii și poate cauza electrocutarea operatorului)
- Feriți-vă întotdeauna cordonul de părțile în mișcare ale sculei; orientați cordonul spre spate, la distanță de sculă
- Țineți degetele la distanță de cuțitele aflate în rotație
- În cazul unor defecțiuni electrice sau mecanice deconectați imediat instrumentul și scoateți șnurul din priză
- În cazul în care cordonul este deteriorat sau secționat în timpul lucrului, nu atingeți cordonul, dar deconectați imediat de la priză
- Dacă buzunarul pentru acumularea așchiilor s-a umplut, trebuie să deconectați aparatul, să vă asigurați că toate părțile mobile sunt oprite, să scoateți firul din priză, apoi să eliberați buzunarul

DUPĂ UTILIZARE

- **Așteptați oprirea blocului de prindere a cuțitelor înainte de a pune jos mașina** (un cuțit în rotație poate atinge suprafața pe care se așează mașina, ceea ce poate provoca pierderea controlului asupra acesteia și accidente grave)

UTILIZAREA

- Schimbarea/inversarea cuțitelor ④
Această rindele este echipată cu cuțite ce nu pot fi ascuțite și care sunt prevăzute pe ambele părți cu muchii tăietoare; în felul acesta, dacă una din părțile cuțitului se tocește, poate fi utilizată cealaltă parte a cuțitului
! opriți scula și scoateți-l din priză
- scoateți dispozitivele de ghidare, dacă sunt montate
- scoateți cheia din loșas A
- întoarceți instrumentul invers
- slăbiți cu cheia cele 3 șuruburi B (nu scoateți șuruburile)
- împingeți afară cuțitul din blocul de prindere folosind o bucată de lemn
- puneți la loc cuțitul în blocul de prindere, dar în poziție inversată, sau folosiți un cuțit nou
! șantul din cuțit trebuie să corespundă cu proeminența din blocul port-cuțite
! ambele capete ale cuțitului trebuie să iasă în afară în mod egal
! asigurați-vă că capătul cuțitului X se aliniaza cu muchie suportului (stabiliiți riglă plat în fața de lagăr ca este ilustrat și folosiți îl ca opritor)
- strângeți bine cu cheia cele 3 șuruburi B
! schimbați sau inversați cuțitele la timp; folosiți numai cuțite ascuțite
! întotdeauna trebuie să schimbați sau să inversați ambele cuțite în același timp
! nu încercați să reglați cuțitele cu șuruburilor C pentru blocul port-cuțite, șuruburile fiind prereglate în fabrică
- Reglarea adâncimii de rindeluire (0-3 mm) ⑤
- rotiți butonul D pentru a selecta adâncimea dorită
- utilizați scara gradată E ca referință
- selectați întotdeauna o adâncime mică de rindeluire și repetați operațiile de rindeluire și reglare până când obțineți adâncimea de rindeluire dorită
- Leșire talaș ⑥
- alegeți cu ajutorul G comutatorului partea (stânga sau dreapta) pe care doriți să se facă ieșirea talașului
- conectați aspiratorul cu adaptorul H la ieșirea pentru talaș aleasă, așa cum se prezintă în ilustrație
- se poate conecta și un sac de praf J la ieșirea pentru talaș aleasă, așa cum se prezintă în ilustrație
! nu încercați să îndepărtați obstrucțiile din ieșirea pentru talaș în timp ce cuțitele se află în rotație
- Sabot de staționare K ⑦
- protejează piesa prelucrată când mașina de rindeluit este pusă de o parte
- se retrage automat în timpul rindeluirii
- Utilizarea sculei
- reglați adâncimea de rindeluire
- plasați instrumentul pe piesa de prelucrat
! asigurați-vă că numai talpa frontală se sprijină pe piesa de prelucrat și că piesa nu se află în contact cu cuțitele
- porniți rindele apăsând, mai întâi, butonul L ② (= întrerupător de siguranță ce nu poate fi blocat) și trăgând apoi pârghia M ②
! înainte ca piesa de prelucrat să intre în contact cu cuțitele, acestea trebuie să se rotească la viteza de regim

- țineți ferm mașina cu ambele mâini și dirijați-o înainte, cu viteză constantă
- ! **în timp ce lucrați, țineți întotdeauna scula de zonă (zonele) de prindere colorate gri** ⑧
- folosiți mașina cu placa sa de bază aplicată pe piesa de prelucrat
- nu înclinați mașina pentru a evita locuri în care nu doriți să efectuați rindeluirea
- mențineți fantele de ventilație Q ② neacoperite
- ! **înainte de oprirea scula, trebuie să o ridicați de pe piesa de prelucrat**
- opriți scula prin eliberarea pârghiei M
- Activitatea de fălțuire ⑨
 - alegeți adâncimea necesară
 - alegeți adâncimea de fălțuire cu ajutorul ajustatorul adâncimii de fălțuire N
 - plasați instrumentul pe piesa de prelucrat
 - începeți planificarea
 - lățimea maximă a fălțuirii 82 mm
 - adâncimea maximă a fălțuirii 15 mm
- Când fălțuiți veți obține rezultate mai bună prin utilizarea rigletei de tăiere P pentru a ajusta lățimea de fălțuire ⑩

SFATURI PENTRU UTILIZARE

- Pentru țesirea muchiilor folosiți canelurile în V pe talpa din față ⑪
 - acționați butonul D în poziția "0"
 - alegeți una din cele 3 caneluri în V
- ! **întotdeauna încercați mai întâi pe un rest de material**

ÎNTREȚINERE / SERVICE

- Păstrați aparatul și cablul curat (mai ales fantele de ventilație Q ②)
- ! **deconectați de la priză înainte de a curăța**
- Dacă în ciuda procedurilor de fabricație și control riguroase scula are totuși o pană, repararea acesteia se va face numai la un atelier de asistență service autorizat pentru scule electrice SKIL
 - trimiteti scula **în totalitatea lui** cu bonul de cumpărare la distribuitorul sau la centrul de service SKIL cel mai apropiat (adrese și diagrame de service se găsesc la www.skilmasters.com)

MEDIUL

- **Nu aruncați sculele electrice, accesoriile sau ambalajele direct la pubelele de gunoi** (numai pentru țările din Comunitatea Europeană)
 - Directiva Europeană 2012/19/EC face referire la modul de aruncare a echipamentelor electrice și electronice și modul de aplicare a normelor în conformitate cu legislația națională; sculele electrice în momentul în care au atins un grad avansat de uzură și trebuiesc aruncate, ele trebuiesc colectate separat și reciclate într-un mod ce respectă normele de protecție a mediului inconjurător
 - simbolul ⑫ vă va reaminti acest lucru

DECLARAȚIE DE CONFORMITATE CE

- Declaram pe proprie răspundere că produsul descris la paragraful "Date tehnice" este în conformitate cu următoarele standarde și documente normative: EN 60745, EN 61000, EN 55014 conform prevederilor directivelor 2004/108/CE, 2006/42/CE, 2011/65/JE
- **Documentație tehnică la:** SKIL Europe BV (PT-SEU/ENG1), 4825 BD Breda, NL

Marijn van der Hoofden
Operations & Engineering

Olaf Dijkgraaf
Approval Manager




SKIL Europe BV, 4825 BD Breda, NL

23.12.2013

ZGOMOT/VIBRAȚII

- Măsurat în conformitate cu EN 60745 nivelul de presiune a sunetului generat de acest instrument este de 91 dB(A) iar nivelul de putere a sunetului 102 dB(A) (abaterea standard: 3 dB), iar nivelul vibrațiilor 6,9 m/s² (metoda mină-brat; incertitudine K = 1,5 m/s²)
- Nivelul emisiilor de vibrații a fost măsurat în conformitate cu un test standardizat precizat în EN 60745; poate fi folosit pentru a compara o sculă cu alta și ca evaluare preliminară a expunerii la vibrații atunci când folosiți scula pentru aplicațiile menționate
 - utilizarea sculei pentru aplicații diferite sau cu accesorii diferite și prost întreținute poate **crește** semnificativ nivelul de expunere
 - momentele în care scula este oprită sau când funcționează dar nu execută nicio lucrare, pot **reduce** semnificativ nivelul de expunere
- ! **protejați-vă împotriva efectelor vibrațiilor prin întreținerea sculei și a accesoriilor sale, păstrând mâinile calde și organizând procesele de lucru**

BG

Ренде

1570

УВОД

- Уредът се използва за рендосване на дървен материал и също така позволява скосяване на ъгли и рендосване на фалцови стъпала
- Прочетете и пазете това ръководство за работа ③

ТЕХНИЧЕСКИ ДАННИ ①

ЕЛЕМЕНТИ НА ИНСТРУМЕНТА ②

- A Отделение за ключа
- B Осигурителен болт
- C Винтове на режещия блок
- D Копче за задаване на дълбочината на рендосване
- E Индикатор на дълбочината на рендосване
- F Извод за стърготини (ляв/десен)
- G Прекъсвач на извода за стърготини

- H Адаптер за прахосмукачка
- J Торбичката за прах
- K Предпазен капак
- L Предпазен изключвател
- M Прекъсвач за включване/изключване
- N Дълбочината на стъпалото дълбочинния ограничител
- P Предпазител против разкъсване
- Q Вентилационните отвори

БЕЗОПАСНОСТ

ОБЩИ УКАЗАНИЯ ЗА БЕЗОПАСНА РАБОТА

⚠️ ВНИМАНИЕ! Прочетете внимателно всички указания. Неспазването на приведените по долу указания може да доведе до токов удар, пожар и/или тежки травми. **Съхранявайте тези указания на сигурно място.** Използваният по-долу термин “електроинструмент” се отнася до захранвани от електрическата мрежа електроинструменти (със захранващ кабел) и до захранвани от акумулаторна батерия електроинструменти (без захранващ кабел).

1) БЕЗОПАСНОСТ НА РАБОТНОТО МЯСТО

- a) **Поддържайте работното си място чисто и подредено.** Безпорядъкът или недостатъчното осветление могат да спомогнат за възникването на трудова злополука.
- b) **Не работете с електроинструмента в среда с повишена опасност от възникване на експлозия, в близост до леснозапалими течности, газове или прахообразни материали.** По време на работа в електроинструментите се отделят искри, които могат да възпламят прахообразни материали или пари.
- c) **Дръжте деца и странични лица на безопасно разстояние, докато работите с електроинструмента.** Ако вниманието Ви бъде отклонено, може да загубите контрола над електроинструмента.

2) БЕЗОПАСНОСТ ПРИ РАБОТА С ЕЛЕКТРИЧЕСКИ ТОК

- a) **Щепселът на електроинструмента трябва да е подходящ за ползвания контакт. В никакъв случай не се допуска изменение на конструкцията на щепсела.** Когато работите със занулените електроуреди, не използвайте адаптери за щепсела. Ползването на оригинални щепсели и контакти намалява риска от възникване на токов удар.
- b) **Избягвайте допира на тялото Ви до заземени тела, напр. тръби, отоплителни уреди, пещи и хладилници.** Когато тялото Ви е заземено, рискът от възникване на токов удар е по-голям.
- c) **Предпазвайте електроинструмента си от дъжд и влага.** Проникването на вода в електроинструмента повишава опасността от токов удар.
- d) **Не използвайте захранващ кабел за цели, за които той не е предвиден, напр. за да носите електроинструмента за кабела или да извадите щепсела от контакта. Предпазвайте кабела от**

нагриване, омасляване, допир до остри ръбове или до подвижни звена на машини. Повредени или усукани кабели увеличават риска от възникване на токов удар.

- e) **Когато работите с електроинструмент навън, използвайте само удължителни кабели, предназначени за работа на открито.** Използването на удължител, предназначен за работа на открито, намалява риска от възникване на токов удар.
 - f) **Ако се налага използването на електроинструмента във влажна среда, използвайте предпазен прекъсвач за утечни токове.** Използването на предпазен прекъсвач за утечни токове намалява опасността от възникване на токов удар.
- #### 3) БЕЗОПАСЕН НАЧИН НА РАБОТА
- a) **Бъдете концентрирани, следете внимателно действията си и постъпвайте предпазливо и разумно. Не използвайте електроинструмента, когато сте уморени или под влиянието на наркотични вещества, алкохол или упойващи лекарства.** Един миг разсеяност при работа с електроинструмент може да има за последствие изключително тежки наранявания.
 - b) **Работете с предпазващо работно облекло и винаги с предпазни очила.** Носенето на подходящи за ползвания електроинструмент и извършваната дейност лични предпазни средства, като дихателна маска, здрави плътнотазворени обувки със стабилен грайфер, защитна каска или шумозаглушители (антифони), намалява риска от възникване на трудова злополука.
 - c) **Избягвайте опасността от включване на електроинструмента по невнимание. Преди да включите щепсела в захранващата мрежа или да поставите акумулаторната батерия, се уверявайте, че пусковият прекъсвач е в положение изключено.** Ако, когато носите електроинструмента, държите пръста си върху пусковия прекъсвач, или ако подавате захранващо напрежение на електроинструмента, когато е включен, съществува опасност от възникване на трудова злополука.
 - d) **Преди да включите електроинструмента, се уверявайте, че сте отстранили от него всички помощни инструменти и гаечни ключове.** Помощен инструмент, забравен на въртящо се звено, може да причини травми.
 - e) **Не надценявайте възможностите си. Работете в стабилно положение на тялото и във всеки момент поддържайте равновесие.** Така ще можете да контролирате електроинструмента по-добре и по-безопасно, ако възникне неочаквана ситуация.
 - f) **Работете с подходящо облекло. Не работете с широки дрехи или украшения. Дръжте косата си, дрехите и ръкавици на безопасно разстояние от въртящи се звена на електроинструментите.** Широките дрехи, украшенията, дългите коси могат да бъдат захванати и увлечени от въртящи се звена.

- g) Ако е възможно използването на външна аспирационна система, се уверявайте, че тя е включена и функционира изправно. Използването на аспирационна система намалява рисковете, дължащи се на отделщата се при работа прах.

4) ВНИМАТЕЛНО ОТНОШЕНИЕ КЪМ ЕЛЕКТРОИНСТРУМЕНТИ

- a) **Не претоварвайте електроинструмента.** Използвайте електроинструментите само съобразно тяхното предназначение. Ще работите по-добре и по-безопасно, когато използвате подходящия електроинструмент в зададения от производителя диапазон на натоварване.
- b) **Не използвайте електроинструмент, чиито пусков прекъсвач е повреден.** Електроинструмент, който не може да бъде изключван и включван по предвидения от производителя начин, е опасен и трябва да бъде ремонтиран.
- c) **Преди да промените настройките на електроинструмента, да замените работни инструменти и допълнителни приспособления, както и когато продължително време няма да използвате електроинструмента, изключвайте щепсела от захранващата мрежа и/или изваждайте акумулаторната батерия.** Тази мярка премахва опасността от задействане на електроинструмента по невнимание.
- d) **Съхранявайте електроинструментите на места, където не могат да бъдат достигнати от деца. Не допускайте те да бъдат използвани от лица, които не са запознати с начина на работа с тях и не са прочели тези инструкции.** Когато са в ръцете на неопитни потребители, електроинструментите могат да бъдат изключително опасни.
- e) **Поддържайте електроинструментите си грижливо.** Проверявайте дали подвижните звена функционират безукорно, дали не заклипват, дали има счупени или повредени детайли, които нарушават или изменят функциите на електроинструмента. Преди да използвате електроинструмента, се погрижете повредените детайли да бъдат ремонтирани. Много от трудовите злополуки се дължат на недобре поддържани електроинструменти и уреди.
- f) **Поддържайте режещите инструменти винаги добре заточени и чисти.** Добре поддържаните режещи инструменти с остри ръбове оказват по-малко съпротивление и се водят по-леко.
- g) **Използвайте електроинструментите, допълнителните приспособления, работните инструменти и т.н., съобразно инструкциите на производителя.** С дейности и процедури, евентуално предписани от различни нормативни документи. Използването на електроинструменти за различни от предвидените от производителя приложения повишава опасността от възникване на трудови злополуки.

5) ПОДДЪРЖАНЕ

- a) **Допускайте ремонтът на електроинструментите Ви да се извършва само от квалифицирани специалисти и само с използването на оригинални резервни части.** По този начин се гарантира съхраняване на безопасността на електроинструмента.

УКАЗАНИЯ ЗА БЕЗОПАСНА РАБОТА С РЕНДЕ

ОБЩИ

- Машината не трябва да се използва от лица под 16 години
- При работа нивото на шума може да надвиши 85 dB(A); носете анттифони
- **Не обработвайте азбестосъдържащ материал** (азбестът е канцерогенен)
- Прахът от някои материали, като например съдържаща олово боя, някои видове дървесина, минерали и метали може да бъде вреден (контакт или вдишване на такъв прах могат да причинят алергични реакции и/или респираторни заболявания на оператора или стоящите наблизо лица); **използвайте противопрахова маска и работете с аспириращо прахта устройство, когато такова може да бъде свързано**
- Определени видове прах са класифицирани като карциногенни (като прах от дъб и буюн) особено когато са комбинирани с добавки за подобряване на състоянието на дървесината; **използвайте противопрахова маска и работете с аспириращо прахта устройство, когато такова може да бъде свързано**
- Следвайте дефинираните по БДС изисквания относно запрашеността за материалите, които желаете да обработвате
- SKIL може да осигури безаварийна работа на електроинструмента само ако се използват подходящите консумативи, които можете да намерите при оторизираните дистрибутори на SKIL
- Не използвайте инструмента, когато е повреден шнурът; заменната му следва да се извърши от квалифицирано лице
- **Преди извършването на нанавта и да било настройки или смяна на принадлежност винаги изваждайте щепсела от контакта на електрозахранването**

ПРЕДИ УПОТРЕБА

- Преди включване на инструмента в контакта се уверете, че мрежовото напрежение отговаря на напрежението, обозначено на фирмената табелка на инструмента (инструменти с номинално напрежение 230V или 240V могат да бъдат включени и към захранване с напрежение 220V)
- Избягвайте повреди, които могат да бъдат причинени от винтове, гвоздеи и други метални елементи в обработвания детайл; отстранете ги преди да започнете работа
- Преди работа с инструмента се уверете, че ножовете са регулирани правилно
- Използвайте напълно развити и обезопасени разклонители с капацитет 16 A

- Използвайте затягащи приспособления или друг практичен начин за обезопасяване и закрепване на обработвания детайл към стабилна основа (държането на обработвания детайл с ръка или опрян до тялото го прави нестабилен и може да доведе до загуба на контрол)

ПРИ УПОТРЕБА

- Дръжте инструмента за изолираните повърхности на ръкохватката, тъй като фрезоващият нож може да опре в неговия захранващ кабел (прерязването на "фазовия" кабел може да доведе до наличие на напрежение на откритите метални части на инструмента и да причини токов удар на оператора)
- винаги отвеждайте захранващият кабел далеч от движещите се звена на електроинструмента; прехвърлете кабела отзад, далеч от електроинструмента
- Пазете ръстите си от въртящите се ножове
- В случай на електрическа или механична неизправност, изключете незабавно апарата и прекъснете контакта с електрическата мрежа
- Ако кабелът се повреди или среже по време на работа, не го докосвайте, веднага изключете щепсела, никога не използвайте инструмента с повреден кабел
- Ако отворът за стърготини се запуши, незабавно изключете двигателя, уверете се, че всички движещи се звена са спрели, изключете кабела от захранващата и почистете отвора

СЛЕД РАБОТА

- Изчакайте новия вал да спре да се върти, преди да оставите рендето (в противен случай ножовете може да захванат повърхността, да загубите контрол над инструмента и да пострадате тежко)

УПОТРЕБА

- Смяна/обръщане на ножовете ④
Ренде е снабдено с двойно-заточени ножове за еднократна употреба; когато едната страна се захваща, използвайте другата
- ! **изключете инструмента и извадете захранващия кабел**
- сваляте ограничителите, ако са монтирани такива
- вземете гаечния ключ от отделение А
- обърнете инструмента надолу
- разхлабете трите болта В с гаечния ключ (не ги махайте)
- извадете ножа от ножилия вал с помощта на парче дърво
- поставете отново ножа от обратната му страна или го сменете с друг
- ! **прорезът на ножа трябва да съпада с изпъкналият край на режещия блок**
- ! **двата края на ножа трябва да се подават равномерно**
- ! **чверете се, че краят на ножа Х не стърчи от ръба на основната плоча (поставете летва успоредно на корпуса, както е показано на фигурата и я използвайте като ограничител)**
- затегнете здраво трите болта В с гаечния ключ

! **сменяйте/обръщайте ножовете своевременно; използвайте само остри ножове**

! **винаги сменяйте/обръщайте двата ножа едновременно**

! **не се опитвайте да регулирате ножовете с винтовете на режещия блок G, които са предварително настроени по време на производството**

- Регулиране на дълбочината на рендосване (0-3 mm) ⑤
 - завъртете копчето D, за да изберете желаната дълбочина
 - ориентирайте се по индикатора E
 - винаги избирайте плитка дълбочина на рендосване и повтаряйте рендосването и регулирането до постигане на необходимата дълбочина
- Извод за стърготини ⑥
 - изберете желания извод за стърготини (ляв или десен), с прекъсвач G
 - свържете прахосмукачката с адаптор H, за изберете извод, както е илюстрирано
 - може да бъде поставена и торбичка за прах J, за да бъде избран извод, както е илюстрирано
 - ! **не се опитвайте да премахвате евентуални обструкции пред извода за стърготини, докато ножовете се въртят**
- Предпазен капак K ⑦
 - пази дървения материал от нараняване, когато не се работи с уреда
 - по време на работа се съгва автоматично назад
- Работа с инструмента
 - регулирайте дълбочината на рендосване
 - поставете инструмента върху дървения материал
 - ! **поставете само предната част върху дървения материал – ножовете не трябва да го докосват**
 - включете инструмента, като първо натиснете прекъсвача L ② (= не се застопорява) и след това натиснете застопоряващия бутон M ②
 - ! **инструментът трябва да работи на пълна скорост, преди ножовете да достигнат до дървения материал**
 - дръжте рендето здраво с две ръце и го насочете напред с праволинейно постъпателно движение
 - ! **по време на работа, винаги дръжте уреда за оцветената(ите) в сиво зона(и) за хващане ⑧**
 - притискайте рендето с работната му повърхност към дървения материал
 - не накланяйте рендето, за да избегнете нежелани изкривявания
 - оставяйте вентилационните отвори Q ② непокрити
 - ! **преди да изключите инструмента, трябва да я вдигнете от работната повърхност**
 - изключете инструмента с натискане на бутон M
- Рендосване на фалцови стъпала ⑨
 - изберете желаната дълбочина на рендосване
 - настройте дълбочината на стъпалото посредством дълбочинния ограничител N
 - поставете инструмента върху дървения материал
 - започнете рендосване
 - максимална широчина на стъпалото 82 mm
 - максимална дълбочина на стъпалото 15 mm

- При рендосване на фалцови стъпала ще постигнете по-добри резултати, ако използвате ограничител P за широчината на стъпалото ⑩

УКАЗАНИЯ ЗА РАБОТА

- За скосяване на ъгли използвайте предната V-образна приставка ①①
 - завъртете копчето D в положение "0"
 - изберете една от 3 V-образни приставки
- ! **винаги изпробвайте първо върху ненужно парче материал**

ПОДДРЪЖКА / СЕРВИС

- Поддържайте винаги електроинструмента и захранващия кабел чисти (особено вентилационните отвори Q ②)
- ! **преди почистване изключете щепсела**
- Ако въпреки прецизното производство и внимателно изпитване възникне повреда, инструмента да се занесе за ремонт в оторизиран сервиз за електроинструменти на SKIL
 - занесете инструмента в неразглобен вид заедно с доказателство за покупката му в търговския обект, откъдето сте го закупили, или в най-близкия сервиз на SKIL (адресите, както и схемата за сервизно обслужване на електроинструмента, можете да намерите на адрес www.skilmasters.com)

ОПАЗВАНЕ НА ОКОЛНАТА СРЕДА

- **Не изхвърляйте електроуредите, приспособленията и опаковките заедно с битови отпадъци** (само за страни от ЕС)
 - съобразно Директивата на ЕС 2012/19/EG относно износени електрически и електронни уреди и отразяването ѝ в националното законодателство износените електроуреди следва да се събират отделно и да се предават за рециклиране според изискванията за опазване на околната среда
 - за това указва символът ⑫ тогава когато трябва да бъдат унищожени

ДЕКЛАРАЦИЯ ЗА СЪОТВЕТСТВИЕ CE

- С пълна отговорност ние декларираме, че описаният в "Технически данни" продукт съответства на следните стандарти или нормативни документи: EN 60745, EN 61000, EN 55014 съгласно изискванията на директиви 2004/108/EG, 2006/42/EG, 2011/65/EC
- **Подробни технически описания при:** SKIL Europe BV (PT-SEU/ENG1), 4825 BD Breda, NL

Marijn van der Hoofden
Operations & Engineering

Olaf Dijkgraaf
Approval Manager




SKIL Europe BV, 4825 BD Breda, NL

23.12.2013

ШУМ/ВИБРАЦИИ

- Измерено в съответствие с EN 60745 нивото на звуково налягане на този инструмент е 91 dB(A) а нивото на звукова мощност е 102 dB(A) (стандартно отклонение: 3 dB), а вибрациите са 6,9 m/c² (метод ръка-рамо; неопределеност K = 1,5 m/c²)
- Нивото на предадените вибрации е измерено в съответствие със стандартизирания тест, определен в EN 60745; то може да се използва за сравнение на един инструмент с друг и като предварителна оценка на подлагането на вибрации при използването на инструмента за посочените приложения
 - използването на инструмента за различни от тези приложения или с други, или лошо поддържани аксесоари може значително **да повиши** нивото на което сте подложени
 - периодите от време, когато инструмента е изключен или съответно включен, но с него не се работи в момента могат значително **да намалят** нивото на което сте подложени
- ! **предпазвайте се от ефектите от вибрациите, като поддържате инструмента и аксесоарите му, пазите ръцете си топли и организирате вашите модели на работа**

SK

Hoblik

1570

ÚVOD

- Toto náradie je určené na hobľovanie drevených materiálov ako sú trámy a dosky; je tiež vhodné pre zraňanie hrán a hobľovanie poldrážok
- Prečítajte a uschovajte tento návod na použitie ③

TECHNICKÉ ÚDAJE ①

ČASTI NÁSTROJA ②

- A Úložné miesto pre kľúč
- B Bezpečnostná matica
- C Skrutky rezný blok
- D Tlačidlo pre nastavovanie hĺbky hobľovania
- E Indikátor hĺbky hobľovania
- F Výstup na hobľiny (vľavo/vpravo)
- G Prepínač výstupu na hobľiny
- H Adaptér na vysávač
- J Prachové vrecko
- K Odkladacia opierka hoblíka
- L Bezpečnostný spínač
- M Spínač zapnutie/vypnutie
- N Hĺbkového poldrážky doraz
- P Vodičko pre pozdĺžne rezanie
- Q Vetracie štrbiny

BEZPEČNOSŤ

VŠEOBECNÉ BEZPEČNOSTNÉ POKYNY

⚠ POZOR! Prečítajte si všetky výstražné upozornenia a bezpečnostné pokyny. Zanedbanie dodržiavania

výstražných upozornení a pokynov uvedených v nasledujúcom texte môže mať za následok zásah elektrickým prúdom, spôsobí požiar a/alebo ťažké poranenie. **Tieto výstražné upozornenia a bezpečnostné pokyny starostlivo uschovajte na budúce použitie.** Pojem ručné "elektrické náradie" používaný v nasledujúcom texte sa vzťahuje na ručné elektrické náradie napájané zo siete (s prírodnou šnúrou) a na ručné elektrické náradie napájané akumulátorovou batériou (bez prírodnej šnúry).

1) BEZPEČNOSŤ NA PRACOVISKU

- a) **Udržiavajte svoje pracovisko čisté a upratané.** Neporiadok na pracovisku alebo neosvetlené časti pracoviska môžu viesť k úrazom.
- b) **Nepracujte elektrickým náradím v prostredí ohrozenom výbuchom, v ktorom sa nachádzajú horľavé kvapaliny, plyny alebo prach.** Elektrické náradie produkuje iskry, ktoré môžu prach alebo pary zapáliť.
- c) **Deti a iné osoby udržiavajte počas práce od ručného elektrického náradia v dostatočnej vzdialenosti.** V prípade odpútania Vašej pozornosti by ste mohli stratiť kontrolu nad náradím.

2) ELEKTRICKÁ BEZPEČNOSŤ

- a) **Zástrčka prírodnej šnúry sa musí hodiť do napájacej zásuvky. Zástrčka sa v žiadnom prípade nesmie meniť. Pri uzemnených spotrebičoch nepoužívajte spolu s nimi žiadne adaptéry.** Nezmenená zástrčka a vhodná zásuvka znižujú riziko zásahu elektrickým prúdom.
- b) **Vyhýbajte sa telesnému kontaktu s povrchovými plochami uzemnených spotrebičov, ako sú elektrické rúry, vyhrievacie telesá, sporáky a chladničky.** Keď je Vaše telo uzemnené, riziko zásahu elektrickým prúdom je vyššie.
- c) **Chráňte ručné elektrické náradie pred dažďom a vlhkom.** Vniknutie vody do ručného elektrického náradia zvyšuje riziko zásahu elektrickým prúdom.
- d) **Nepoužívajte prírodnú šnúru na prenášanie náradia, na jeho vešanie, ani za ňu nevyťahujte zástrčku zo zásuvky. Prírodnú šnúru chráňte pred horúcou, olejom, ostrými hranami alebo pohybujúcimi sa časťami náradia.** Poškodené alebo zauzlené šnúry zvyšujú riziko zásahu elektrickým prúdom.
- e) **Ak pracujete s ručným elektrickým náradím vonku, používajte len také predlžovacie šnúry, ktoré sú schválené pre použitie vo vonkajších priestoroch.** Používanie predlžovacej šnúry určenej do vonkajšieho prostredia znižuje riziko zásahu elektrickým prúdom.
- f) **Ak sa nedá vyhnúť použitiu ručného elektrického náradia vo vlhkom prostredí, použite prerušovač uzemňovacieho obvodu.** Používanie prerušovača uzemňovacieho obvodu znižuje riziko zásahu elektrickým prúdom.

3) BEZPEČNOSŤ OSÔB

- a) **Buďte pozorní, dávajte pozor na to, čo robíte a k práci s elektrickým náradím pristupujte rozumne. Nepoužívajte elektrické náradie, keď ste unavení alebo keď ste pod vplyvom drog, alkoholu alebo**

liekov. Chvíľa nepozornosti pri používaní náradia môže viesť k vážnym poraneniam.

- b) **Noste osobné ochranné pomôcky, ochranný odev a vždy majte nasadené ochranné okuliare.** Nosenie pracovného odevu a používanie ochranných pomôcok ako ochrannej dýchacej masky, bezpečnostných protišmykových topánok, prilby alebo chrániča sluchu, podľa druhu elektrického náradia, znižuje riziko poranenia.
- c) **Vyhýbajte sa neúmyselnému uvedeniu ručného elektrického náradia do činnosti. Pred zasunutím zástrčky do zásuvky a/alebo pred pripojením akumulátora, pred chytením alebo prenášaním ručného elektrického náradia sa vždy presvedčte sa, či je ručné elektrické náradie vypnuté.** Ak budete mať pri prenášaní ručného elektrického náradia prst na vypínači, alebo ak ručné elektrické náradie pripojíte na elektrický sieť zapnuté, môže to mať za následok nehodu.
- d) **Skôr ako ručné elektrické náradie zapnete, odstráňte nastavovacie a montážne nástroje.** Nástroj alebo kľúč, ktorý sa nachádza v pohyblivej časti náradia, môže spôsobiť poranenie.
- e) **Nepreceňujte sa. Zabezpečte si pevný postoj a neprestajne udržiavajte rovnováhu.** Taktó budete mať ručné elektrické náradie v neočakávaných situáciách lepšie kontrolovať.
- f) **Pri práci noste vhodný pracovný odev. Nenoste široké odevy a nemajte na sebe šperky. Dbajte na to, aby ste mali vlasy, odev a rukavice v dostatočnej vzdialenosti od pohyblivých sa častí náradia.** Pohybujúce sa časti náradia by mohli zachytiť voľné oblečenie, šperky alebo dlhé vlasy.
- g) **Ak možno namontovať zariadenie na odsávanie alebo zachytávanie prachu, presvedčte sa, či je pripojené a správne používané.** Používanie odsávacieho zariadenia a zariadenia na zachytávanie prachu znižuje riziko ohrozenia zdravia prachom.
- 4) **STAROSTLIVÉ ZAOBCHÁDZANIE S ELEKTRICKÝM NÁRADÍM A JEHO POUŽÍVANIE**
 - a) **Náradie nepreťažujte. Pre svoju prácu používajte určené elektrické náradie.** Pomocou vhodného ručného elektrického náradia budete môcť v uvedenom rozsahu výkonu pracovať lepšie a bezpečnejšie.
 - b) **Nepoužívajte žiadne ručné elektrické náradie, ktoré má pokazený vypínač.** Ručné elektrické náradie, ktoré sa už nedá zapínať alebo vypínať, je nebezpečné a treba ho dať opraviť.
 - c) **Skôr ako začnete náradie nastavovať alebo prestavovať, vymieňať príslušenstvo alebo skôr, ako odložíte náradie, vždy vytiahnite zástrčku sieťovej šnúry zo zásuvky.** Toto bezpečnostné opatrenie zabraňuje neúmyselnému spusteniu náradia.
 - d) **Nepoužívané ručné elektrické náradie uschovávajte mimo dosahu detí. Nedopusťte, aby ručné elektrické náradie používali osoby, ktoré s ním nie sú dôkladne oboznámené, alebo ktoré si neprečítali tento Návod na používanie.** Ak ručné elektrické náradie používajú neskúsené osoby, stáva sa nebezpečným nástrojom.
 - e) **Elektrické náradie starostlivo ošetrte. Skontrolujte, či pohyblivé súčiastky náradia**

bezchybne fungujú a neblokujú a či nie sú zlomené alebo poškodené niektoré súčiastky, ktoré by mohli negatívne ovplyvniť fungovanie ručného elektrického náradia. Pred použitím ručného elektrického náradia dajte poškodené súčiastky opraviť. Nejednen úraz bol spôsobený zle udržiavaným náradím.

- f) **Používajte nástroje udržiavajte ostré a čisté.** Starostlivo ošetrované nástroje s ostrými reznými hranami sa menej často zablokujú a ich vedenie je podstatne ľahšie.
- g) **Používajte ručné elektrické náradie, príslušenstvo, pracovné nástroje a pod. podľa týchto pokynov. Zohľadnite pritom konkrétne pracovné podmienky a činnosť, ktorú máte vykonať.** Používanie ručného elektrického náradia na iné ako určené účely môže viesť k nebezpečným situáciám.
- 5) SERVIS**
- a) **Ručné elektrické náradie zverte do opravy len kvalifikovanému personálu a používajte len originálne náhradné súčiastky.** Tým sa zabezpečí zachovanie bezpečnosti ručného elektrického náradia.

BEZPEČNOSTNÉ POKYNY PRE HOBLIKY

VŠEOBECNE

- Tento nástroj by nemali používať osoby mladšie ako 16 rokov
- Hlasitosť zapnutého prístroja môže byť viac aké 85 dB(A); chráňte si uši ochrannými kryciami prostriedkami
- **Neobrábajte materiál, ktorý obsahuje azbest** (azbest sa považuje za rakovinotvorný materiál)
- Prach z materiálu, akým je náter obsahujúci olovo, niektoré druhy dreva, minerály a kovy môže byť škodlivý (styk alebo nadýchanie prachu môže spôsobiť alergické reakcie a/alebo respiračné ochorenia obsluhy a okolostojacich osôb); **používajte ochrannú masku tváre a pracujte so zariadením na odsávanie prachu, ak je takéto zariadenie možné pripojiť**
- Určité druhy prachu sú klasifikované ako karcinogénne (akým dubový a bukový prach), a to hlavne v spojení s prísadami pre úpravu dreva; **používajte ochrannú masku tváre a pracujte so zariadením na odsávanie prachu, ak je takéto zariadenie možné pripojiť**
- Dodržujte stanovené nariadenia pre prácu v prašnom prostredí
- SKIL zabezpečí bezchybný chod nástroja len ak sa používa správne príslušenstvo, ktoré môžete získať od vášho dileru SKIL
- Nikdy nepoužívajte nástroj ak je šnúra poškodená; šnúru musí vymeniť kvalifikovaná osoba
- **Pri nastavovaní alebo výmene príslušenstva vždy vyťahnite prívodný kábel zo zásuvky**

PRED POUŽITÍM

- Vždy skontrolujte či je napájacie napätie rovnaké ako napätie uvedené na štítku nástroja (nástroj s menovitým napätím 230V alebo 240V môžete pripojiť aj do siete s napätím 220V)
- Zabráňte poškodeniu náradia skrutkami, klincami a inými kovovými predmetmi v obrobku; zoberte ich dole prv než začnete pracovať
- Pred použitím nástroja skontrolujte, že sa nože nikde neotierajú

- Používajte úplne odmotanú a bezpečnú predlžovaciu šnúru s kapacitou 16 A
- **Obrábaný predmet upevnite svorkami alebo iným praktickým spôsobom k stabilnému podstavcu** (obrábaný predmet nedržte iba v rukách ani oproti telu, pretože tak nemôžete zabezpečiť jeho stabilitu a môže sa vám vymknúť spod kontroly)

POČAS PRÁCE

- **Elektrické náradie držte za izolované plochy rukoväti, pretože rezný nástroj by sa mohol dotknúť vlastnej prívodnej šnúry** (kontakt s vodičom pod napätím, spôsobí, že aj kovové súčiastky náradia sa dostanú pod napätie, čo môže spôsobiť zásah operátora elektrickým prúdom)
- Elektrickú šnúru udržujte vždy mimo pohybujúcich sa častí nástroja; elektrickú šnúru vždy smerujte dozadu, mimo nástroja
- **DRŽTE** prsty mimo dosahu rotačných nožov
- V prípade elektrickej alebo mechanickej poruchy zastavte okamžite nástroj a vyťahnite zástrčku z nástrojnej zásuvky
- Ak je sieťová šnúra poškodená alebo ak sa prereže počas prevádzky, nedotýkajte sa jej ale ju ihneď odpojte z hlavnej elektrickej siete
- Keď uviazne hoblina vo vývodu, vypnete motor a skontrolujte, či sa rotujúci časti zastavili, vyťahnite zástrčku a odstráňte uviazlou hoblina

PO PRÁCI

- **Pred vybratím nástroja počkajte, kým sa rezný blok zastaví** (odhalený nôž sa môže dotknúť povrchu, čo by viedlo k novej strate kontroly a vážnemu zraneniu)

POUŽITIE

- Výmena/obracanie nožov ④
Hoblík je vybavený neobrúsiteľnými nožmi s reznými hranami na oboch stranách; preto, ak sa jedna strana otupí, môže sa použiť druhá strana
! nástroj vypnite a vyťahnite zo zásuvky
 - vyberte vodiace zariadenie, ak je namontované
 - vyberte kľúč z úložného miesta A
 - otočte nástroj naopak
 - kľúčom uvoľnite tri skrutky B (skrutky nevyberajte)
 - vytlačte nôž z rezného bloku kúskom dreva
 - založte nôž naspäť do rezného bloku v obrátenej pozícii alebo použite nový nôž**! drážka na noži by sa mala zhodovať s okrajovou lištou na reznom bloku**
! ako konce noža by mali vyčnievať rovnako
! presvedčte sa, že okraj noža X lícuje s hranou klznej dosky (na kontrolu použite pravítko, ktoré prílože ku krytu, ako ukazuje obrázok)
 - kľúčom pevne utiahnite tri skrutky B**! meňte/obracajte nože včas; používajte len ostré nože**
! vždy vymieňajte/obracajte oba nože naraz
! nepokúšajte sa nastaviť nože skrutkami rezný blok C, ktoré sú prednastavené pri výrobe
- Nastavovanie hľbky hoblňovania (0-3 mm) ⑤
 - pre preprenastavenie požadovanej hľbky otáčajte tlačidlom D
 - prepre orientáciu používajte indikačnú čiaru E

- vždy vyberte plytkú hľbku hobľovania a opakujte proces hobľovania a nastavovania, kým sa nedosiahne požadovaná hľbka
- Výstup na hobľiny ⑥
 - pomocou prepínača G vyberte požadovanú stranu výstupu hobľín (vľavo alebo vpravo)
 - k vybranému výstupu na hobľiny pripojte odsávač hobľín s adaptérom H tak, ako to je znázornené na obrázku
 - k vybranému výstupu na hobľiny je tiež možné pripojiť nádobku na prach J tak, ako to je znázornené na obrázku
- ! **pokiaľ sa nože otáčajú, nepokúšajte sa odstrániť akékoľvek prekážky z výstupu na hobľiny**
- Odkladacia opierka hoblíka K ⑦
 - chráni obrábaný kus pred poškodením, keď nástroj nie je v zábere
 - pri hobľovaní sa automaticky zloží dozadu
- Prevádzka nástroja
 - nastavte hľbku hobľovania
 - položte nástroj na obrábaný kus
- ! **uistite sa, že obrábaného kusa sa dotýka len predný chránič a nože sa nedotýkajú**
- zapnite prístroj tak, že najprv stlačíte tlačidlo L ② (= bezpečnostný spínač, ktorý nemožno zamknúť) a potom zatiahnete spínač M ②
- ! **skôr než sa nože dotknú obrábaného kusa, mal by nástroj bežať pri plnej rýchlosti**
- držte nástroj pevne oboma rukami a ved'te ho smerom dopredu plynulým ťahom
- ! **počas práce vždy držte nástroj v oblasti sivého drždla(iel) ⑧**
- použite nástroj so svojou základnou doskou na obrábanom kuse
- nenakláňajte nástroj, aby sa netvorili nechcené stopy po hobľovaní
- vetracie štrbiny Q ② udržujte nezakryté
- ! **pred vypnutím nástroja by ste ho mali zdvihnúť z miesta obrábania**
- vypnite nástroj uvoľnením tlačidla M
- Hobľovanie poldrážok ⑨
 - nastavte požadovanú hľbku úberu
 - hľbku poldrážky nastavte pomocou hľbkového dorazu N
 - položte nástroj na obrábaný kus
 - teraz môžete hobľovať
 - maximálna šírka poldrážky je 82 mm
 - maximálna hľbka poldrážky je 15 mm
- Na dosiahnutie lepších výsledkov pri hobľovaní poldrážok je k-dispozícii paralelný doraz P na nastavenie šírky poldrážky ⑩

RADU NA POUŽITIE

- Na zrážanie hrán používajte V-drážky v prednej pátko ⑪
 - nastavte tlačidlo D do polohy "0"
 - zvolte jednu z 3 V-drážok
- ! **vždy to najskôr vyskúšajte na kúske odpadového materiálu**

ÚDRŽBA / SERVIS

- Nástroj a sieťovú šnúru udržiajte stále čistou (zvlášť vetracie štrbiny Q ②)
 - ! **pred čistením odpojte z elektrickej siete**
- Ak by nástroj napriek starostlivej výrobe a kontrole predsa len prestal niekedy fungovať, treba dať opravu vykonať autorizovanej servisnej opravovni elektrického náradia SKIL
 - pošlite nástroj **bez rozmontovania** spolu s dôkazom o kúpe; vášmu dilerovi alebo do najbližšieho servisného strediska SKIL (zoznam adries servisných stredísk a servisný diagram nástroja sú uvedené na www.skilmasters.com)

ŽIVOTNÉ PROSTREDIE

- **Elektrické náradie, príslušenstvo a balenia nevyhadzujte do komunálneho odpadu** (len pre štáty EÚ)
 - podľa európskej smernice 2012/19/EG o nakladaní s použitými elektrickými a elektronickými zariadeniami a zodpovedajúcich ustanovení právnych predpisov jednotlivých krajín sa použité elektrické náradie musí zbierať oddelene od ostatného odpadu a podrobiť ekologicky šetrnej recyklácii
 - pripomenie vám to symbol ②, keď ju bude treba likvidovať

VYHLÁSENIE O ZHODE CE

- Na vlastnú zodpovednosť vyhlasujeme, že dole popísaný výrobok "Technické údaje" sa zhoduje s nasledujúcimi normami alebo normatívnymi dokumentami: EN 60745, EN 61000, EN 55014 podľa ustanovení smerníc 2004/108/EG, 2006/42/EG, 2011/65/EU
- **Súbor technickej dokumentácie sa nachádzajú na adrese:** SKIL Europe BV (PT-SEU/ENG1), 4825 BD Breda, NL

Marijn van der Hoofden Olaf Dijkgraaf
Operations & Engineering Approval Manager




SKIL Europe BV, 4825 BD Breda, NL

23.12.2013

HLUKU/VIBRÁCIÁCH

- Merané podľa EN 60745 je úroveň akustického tlaku tohto nástroja 91 dB(A) a úroveň akustického výkonu je 102 dB(A) (štandardná odchýlka: 3 dB), a vibrácie sú 6,9 m/s² (metóda ruka - paža; nepresnosť K = 1,5 m/s²)
- Hladina emisií od vibrácií bola nameraná v súlade s normalizovaným testom uvedeným v norme EN 60745; môže sa používať na vzájomné porovnávanie náradí a na predbežné posúdenie vystavenia účinkom vibrácií pri používaní náradia pre uvedené aplikácie
 - používanie náradia na rôzne aplikácie, alebo v spojení s rôznymi alebo nedostatočne udržiavanými doplnkami môže značne **zvýšiť** úroveň vystavenia

- časové doby počas ktorých je je náradie vypnuté alebo počas ktorých náradie beží ale v skutočnosti nevykonáva prácu môžu značne **znižit'** úroveň vystavenia

! **chráňte sa pred účinkami vibrácií tak, že budete náradie a jeho príslušenstvo správne udržiavať, tak že nebudete pracovať so studenými rukami a tak že si svoje pracovné postupy správne zorganizujete**

HR

Blanjalica

1570

UVOD

- Ovaj alat namijenjen je za blanjanje drvenih materijala kao što su grede i daske; prikladan je i za struganje rubova i žljebova
- Pažljivo pročitajte i sačuvajte ove upute za rukovanje ③

TEHNIČKI PODACI ①

DIJELOVI ALATA ②

- A Skladište za ključ
- B Sigurnosni vijak
- C Vijci bloka za rezanje
- D Ručica za podešavanje dubine blanjanja
- E Indikator dubine blanjanja
- F Odvod za strugotinu (lijevi/desni)
- G Preklopka odvoda za strugotinu
- H Priključak usisavača prašine
- J Vrećica za prašinu
- K Stopalo za odlaganje
- L Sigurnosni prekidač
- M Prekidač uključeno/isključeno
- N Prilagodnik dubine žljebova
- P Bočni graničnik
- Q Otvori za strujanje zraka

SIGURNOST

OPĆE UPUTE ZA SIGURAN RAD

⚠ PAŽNJA! Treba pročitati sve napomene o sigurnosti i upute. Ako se ne bi poštivale napomene o sigurnosti i upute to bi moglo uzrokovati strujni udar, požar i/ili teške ozljede. **Sačuvajte sve napomene o sigurnosti i upute za buduću primjenu.** U daljnjem tekstu korišten pojam "električni alat" odnosi se na električne alate s priključkom na električnu mrežu (s mrežnim kabelom) i na električne alate s napajanjem iz aku baterije (bez mrežnog kabela).

1) SIGURNOST NA RADNOM MJESTU

- a) **Vaše radno područje održavajte čisto i uredno.** Nered ili neosvijetljeno radno područje mogu doći do nezgoda.
- b) **S uređajem ne radite u okolini ugroženoj eksplozijom, u kojoj se nalaze zapaljive tekućine, plinovi ili prašina.** Električni alati proizvode iskre koje mogu zapaliti prašinu ili pare.

- c) **Djecu i ostale osobe držite dalje tijekom korištenja električnog alata.** Ako bi skrenuli pozornost sa posla mogli bi izgubiti kontrolu nad uređajem.

2) ELEKTRIČNA SIGURNOST

- a) **Priključni utikač uređaja treba odgovarati utičnici.** Na utikaču se ni u kojem slučaju ne smiju izvoditi izmjene. Ne koristite adapterske utikače zajedno sa uređajima koji su zaštićeni uzemljenjem. Originalni utikač i odgovarajuće utičnice smanjuju opasnost od električnog udara.
- b) **Izbjegavajte dodir tijela s uzemljenim površinama kao što su cijevi, centralno grijanje, štednjaci i hladnjaci.** Postoji povećana opasnost od električnog udara ako je vaše tijelo uzemljeno.
- c) **Držite uređaj dalje od kiše ili vlage.** Prodiranje vode u električni uređaj povećava opasnost od električnog udara.
- d) **Priključni kabel ne koristite za nošenje, vješanje ili za izvlačenje utikača iz utičnice.** Držite kabel dalje od izvora topline, ulja, oštrih rubova ili pomičnih dijelova uređaja. Oštećen ili usukan kabel povećava opasnost od električnog udara.
- e) **Ako s električnim uređajem radite na otvorenom, koristite samo produžni kabel odobren za uporabu na otvorenom.** Primjena produžnog kabela prikladnog za uporabu na otvorenom smanjuje opasnost od električnog udara.
- f) **Ako se ne može izbjeći uporaba električnog alata u vlažnoj okolini, upotrijebite sigurnosna sklopka za propuštanje u zemlju.** Upotrebom sigurnosne sklopke za propuštanje u zemlju smanjuje se opasnost od električnog udara.

3) SIGURNOST LJUDI

- a) **Budite oprezni, pazite što činite i postupajte razumno kod rada s električnim alatom. Ne koristite uređaj ako ste umorni ili pod utjecajem opojnih sredstava, alkohola ili lijekova.** Trenutak nepažnje kod uporabe uređaja može doći do ozbiljnih ozljeda.
- b) **Nosite sredstva osobne zaštite i uvijek zaštitne naočale.** Nošenje sredstava osobne zaštite, kao što je zaštitna maska, sigurnosne cipele koje ne klize, zaštitne kacige ili štitnika za sluh, ovisno od vrste i primjene električnog alata, smanjuje opasnost od nezgoda.
- c) **Izbjegavajte nehotično puštanje u rad. Prije nego što ćete utaknuti utikač u utičnicu i/ili staviti aku-bateriju, provjerite je li električni alat isključen.** Ako kod nošenja električnog alata imate prst na prekidaču ili se uključeni uređaj priključi na električno napajanje, to može dovesti do nezgoda.
- d) **Prije nego što uređaj uključite, uklonite alate za podešavanje ili vijčane ključeve.** Alat ili ključ koji se nalazi u rotirajućem dijelu uređaja može doći do nezgoda.
- e) **Nosite prikladnu odjeću. Ne nosite široku odjeću ili nakit.** Neka vaša kosa, odjeća i rukavice budu što dalje od pomičnih dijelova. Mlohavu odjeću, nakit ili dugu kosu mogu zahvatiti pomični dijelovi uređaja.

- g) **Ako se mogu montirati naprave za usisavanje i hvatanje prašine, provjerite da li su iste priključene i da li se pravilno koriste.** Primjena naprave za usisavanje može smanjiti ugroženost od prašine.

4) BRIZLJIVA UPORABA ELEKTRIČNIH ALATA

- a) **Ne preopterećujte uređaj. Koristite za vaše radove za to predviđen električni alat.** S odgovarajućim električnim alatom radit ćete bolje i sigurnije, u navedenom području učinka.
- b) **Ne koristite električni alat čiji je prekidač neispravan.** Električni alat koji se više ne može uključiti ili isključiti, opasan je i treba se popraviti.
- c) **Izvućite utikač iz mrežne utičnice i/ili izvadite aku-bateriju prije podešavanja uređaja, zamjene pribora ili odlaganja uređaja.** Ovim mjerama opreza spriječit će se nehotično pokretanje uređaja.
- d) **Nekoristišene električne alate spremite izvan dosega djece. Ne dopustite da uređaj koriste osobe koje s njim nisu upoznate ili koje nisu pročitale upute za uporabu.** Električni alati su opasni ako ih koriste neiskusne osobe.
- e) **Uređaj održavajte s pažnjom. Kontrolirajte da li pomični dijelovi uređaja besprijekorno rade i da nisu zaglavljeni, te da li su dijelovi polomljeni ili tako oštećeni da negativno djeluju na funkciju uređaja. Popravite oštećene dijelove prije uporabe uređaja.** Mnoge nezgode imaju svoj uzrok u loše održanim uređajima.
- f) **Rezne alate održavajte ostrim i čistim.** Pažljivo održavani rezni alati s ostrim oštricama neće se zaglaviti i lakši su za vođenje.
- g) **Koristite električne alate, pribor, radne alate, itd., prema navedenim uputama. Pri tome uzmite u obzir radne uvjete i radove koje se izvode.** Uporaba električnih alata za neke druge primjene različite od predviđenih, može doći do opasnih situacija.

5) SERVIS

- a) **Popravak uređaja prepustite samo kvalificiranom stručnom osoblju i samo s originalnim rezervnim dijelovima.** Na taj će se način postići održanje stalne sigurnosti uređaja.

SIGURNOSNE UPUTE ZA BLANJALICE

OPĆENITO

- Uređaj ne bi smjele koristiti osobe mlađe od 16 godina
- Razina buke kod rada može premašiti 85 dB(A); nositi štitnike za sluh
- **Ne obrađujte materijal koji sadrži azbest** (azbest se smatra kancerogenim)
- Prašina od materijala kao što su boje koje sadrže olovo, neke vrste drveća, minerali i metal mogu biti opasne (dodir s prašinom ili njeno udisanje mogu prouzročiti alergične reakcije i/ili respiratorna oboljenja rukovatelja ili posmatrača); **nosite masku za zaštitu od prašine i radite s uređajem za ekstrakciju prašine ukoliko ga možete priključiti**
- Odredene vrste prašine klasificiraju se kao karcinogenske (kao što su prašina hrastovine i bukovine), osobito u sudejstvu s aditivima za kondicioniranje drveta; **nosite masku za zaštitu od prašine i radite s uređajem za ekstrakciju prašine ukoliko ga možete priključiti**

- Nacionalni uvjeti za materijale s kojima želite raditi
- SKIL može osigurati besprijekoran rad uređaja samo ako se koristi odgovarajući pribor, koji se može dobiti u specijaliziranoj trgovačkoj mreži ili kod ovlaštenog distributera SKIL proizvoda
- Nikad ne upotrebljavajte alat kad su kabel oštećeni; neka iz zamijeni kvalificirana osoba
- **Prije svih radova održavanja, podešavanja ili izmjene alata i pribora treba izvući utikač iz mrežne utičnice**

PRIJE UPORABE

- Uvijek provjerite je li napon napajanja isti kao onaj naveden na tipskoj pločici uređaja (uređaji označeni s 230V ili 240V mogu raditi i na 220V)
- Izbjegavajte oštećenja od vijaka, čavala i sličnih predmeta na vašem izratku; prije početka rada ih izvadite
- Prije upotrebe alata provjerite da noževi nigdje ne dodiruju alat
- Upotrebljavajte samo neodmotane i zaštićene produžne kabele kapaciteta 16 ampera
- **Koristite stezaljke ili drugi praktičan način za učvršćenje i potporu izratka na stabilnoj platformi** (držanje rada rukom ili njegovo naslanjanje na tijelo čini ga nestabilnim i može dovesti do gubitka kontrole)

TIJEKOM UPORABE

- **Uređaj držite samo na izoliranim ručkama jer rezač može doći u dodir s vlastitim kablom** (rezanje vodova pod naponom može metalne dijelove električnog alata staviti pod napon, a rukovatelj bi mogao pretrpjeti električni udar)
- Kabel uvijek držati dalje od rotirajućih dijelova uređaja; kabel povlačiti iza uređaja
- Prste držite podalje od rotirajućih noževa
- U slučaju neobičajenog ponašanja uređaja ili neobičnih šumova, uređaj treba odmah isključiti i izvući utikač iz mrežne utičnice
- Ako se tijekom rada priključni kabel ošteti ili odreže, ne dirati priključni kabel, nego odmah izvući mrežni utikač
- Ako se otvor za strugotine začepi, alat isključite, uvjerite se da su se svi pokretni dijelovi zaustavili, odspojite utikač iz utičnice i uklonite strugotine

NAKON UPORABE

- **Pričekajte da se blok za rezanje zaustavi prije nego li spustite alat** (izloženi nož može zahvatiti površinu, što može doći do gubitka kontrole i ozbiljnih povreda)

POSLUŽIVANJE

- Mijenjanje/okretanje noževa ④
Ova blanjalica opremljena je noževima koji se ne mogu oštriti i koji sadrže oštrice s obje strane; ako jedna strana otupi, možete koristiti drugu
- ! **isključite uređaj i odspojite utikač**
- uklonite vodilice, ako su postavljene
- izvadite ključ iz skladišta A
- okrenite alat naopako
- ključem otpustite 3 vijka B (ne uklanjajte vijke)
- komadom drva gurnite nož iz bloka za rezanje
- preokrenite nož i vratite ga u blok za rezanje ili upotrijebite novi nož
- ! **utor na nožu treba se poklopiti s ležištem na bloku za rezanje**
- ! **oba kraja noža trebaju podjednako izvirivati**

- ! **treba paziti da oštrica noža X bude poravnata s rubom podnožja** (u tu svrhu položite ravnalo **plošno na kućište i koristite ga kao graničnik**)
- ključem snažno pričvrstite 3 vijka B
- ! **na vrijeme mijenjajte/okrećite noževe; koristite samo oštre noževe**
- ! **uvijek mijenjajte/okrećite oba noža istovremeno**
- ! **ne pokušavajte podesiti noževe C vijcima bloka za rezanje, jer se oni podešavaju tvornički**
- Prilagodba dubine blanjanja (0-3 mm) ⑤
 - okrenite ručicu D kako biste odabrali potrebnu dubinu
 - kao referencu koristite liniju indikatora E
 - uvijek odaberite malu dubinu i ponavljajte postupak prilagođavanja i blanjanja sve dok se ne postigne potrebna dubina
- Odvod za strugotinu ⑥
 - preklopom G izaberite željeni odvod za strugotinu (lijevi ili desni)
 - priključite usisivač s adapterom H na izabrani odvod za strugotinu, kao na slici
 - može se priključiti i vreća za prašinu J na izabrani odvod za strugotinu, kao na slici
 - ! **ne pokušavajte odstraniti nikakve prepreke s odvoda za strugotinu dok se noževi vrte**
- Stopalo za odlaganje K ⑦
 - titi izradak od oštećenja kad se alat odlaže u stranu
 - automatski se savija unatrag prilikom blanjanja
- Posluživanje uređaja
 - prilagođavanje dubine blanjanja
 - smjestite alat na predmet koji izrađujete
 - ! **uvjerite se da se samo prednja papučica oslanja na područje rada i da ga noževi ne dodiruju**
 - uključite alat pritiskom na gumb L ② (= sigurnosni prekidač koji se ne može zaključati), a zatim povucite prekidač M ②
 - ! **prije nego što noževi dotaknu područje rada, alat mora raditi pri punoj brzini**
 - alat držite čvrsto objema rukama i ravnomjerno ga vodite naprijed
 - ! **alat kod primjene, držati samo na sivo označenim područjima** ⑧
 - alat koristite s osnovnom pločom na području rada
 - ne naginjte alat kako biste izbjegli neželjene tragove blanjanja
 - otvore za strujanje zraka Q ② držite nepokriveno
 - ! **prije isključivanja alata, isti se treba skinuti sa izratka**
 - isključite alat otpuštanjem prekidača M
- Blanjanje žlijebova ⑨
 - odaberite potrebnu dubinu blanjanja
 - odaberite dubinu žlijeba pomoću prilagodnika dubine žlijebova N
 - smjestite alat na predmet koji izrađujete
 - započnite blanjanje
 - maksimalna širina žlijeba 82 mm
 - maksimalna dubina žlijeba 15 mm
- Prilikom blanjanja rubova postići ćete bolje rezultate ako koristite vodilicu P kako biste prilagodili širinu blanjanja ⑩

SAVJETI ZA PRIMJENU

- Za skošavanje bridova koristite V-žljebove na prednjoj stopi ⑪
 - postavite ručicu D u položaj "0"
 - izaberite jedan od 3 V-utora
- ! **uvijek najprije isprobati na potrošnom komadu materijala**

ODRŽAVANJE / SERVISIRANJE

- Održavajte čistim uređaj i kabel (osobito otvore za hlađenje Q ②)
 - ! **prije čišćenja treba izvući mrežni utikač**
- Ako bi uređaj unatoč brižljivih postupaka izrade i ispitivanja ipak prestao raditi, popravak treba prepustiti ovlaštenom servisu za SKIL električne alate
 - uređaj treba **nerastavljeno** predati, zajedno s računom o kupnji u najbližu SKIL ugovornu servisnu radionicu (popise servisa, kao i oznake rezervnih dijelova uređaja možete naći na adresi www.skilmasters.com)

ZAŠTITA OKOLIŠA

- **Električne alate, pribor i ambalažu ne bacajte u kućni otpad** (samo za EU-države)
 - prema Europskoj direktivi 2012/19/EG o staroj električnoj i elektroničkoj opremi i njenoj primjeni u skladu sa nacionalnim zakonom, istrošeni električni alati moraju se sakupljati odvojeno i odvesti u posebne pogone za reciklažu
 - na to podsjeća simbol ⑫ kada se javi potreba za odlaganjem

DEKLARACIJA O SUKLADNOSTI CE

- Izjavljujemo uz punu odgovornost da je ovaj proizvod opisan u "Tehnički podaci" usklađen sa sljedećim normama ili normativnim dokumentima: EN 60745, EN 61000, EN 55014, prema odredbama smjernica 2004/108/EG, 2006/42/EG, 2011/65/EU
- **Tehnička dokumentacija se može dobiti kod:** SKIL Europe BV (PT-SEU/ENG1), 4825 BD Breda, NL

Marijn van der Hoofden Olaf Dijkgraaf
Operations & Engineering Approval Manager




SKIL Europe BV, 4825 BD Breda, NL

23.12.2013

BUCI/VIBRACIJAMA

- Mjereno prema EN 60745 prag zvučnog tlaka ovog električnog alata iznosi 91 dB(A) a jakost zvuka 102 dB(A) (standardna devijacija: 3 dB), a vibracija 6,9 m/s² (postupkom na šaci-rući; nesigurnost K = 1,5 m/s²)
- Razina emitiranja vibracija izmjerena je sukladno normiranom testu danom u EN 60745; ona se može koristiti za usporedbu jedne alatke s drugom, te preliminarnu procjenu izloženosti vibracijama pri uporabi alatke za navedene namjene

- uporaba ove alatke za druge namjene ili s drugim ili slabo održanim nastavcima, može u značajnoj mjeri **uvećati** razinu izloženosti
 - vrijeme tokom kojega je alatka isključena, ili je uključena ali se njome ne radi, može značajno **umanjiti** razinu izloženosti
- ! zaštitite se od posljedica vibracija održavanjem alatke i njezinih nastavaka, održavanjem Vaših ruku toplima, te organiziranjem Vaših obrazaca rada**

SRB

Strug

1570

UPUTSTVO

- Ovaj električni alat je namenjen za struganje drvenih materijala, na primer greda ili dasaka; podesan je i za struganje ivica i žlebova
- Pažljivo pročitajte i sačuvajte ova uputstva za rukovanje

③

TEHNIČKI PODACI ①

ELEMENTI ALATA ②

- A Skladište za ključ
- B Sigurnosna reza
- C Šrafovi bloka za rezač
- D Dugme za podešavanje dubine struganja
- E Indikator dubine struganja
- F Otvor za iverice (levi/desni)
- G Prekidač otvora za iverice
- H Adapter za usisivač
- J Kesa za prašinu
- K Stopalo za odlaganje
- L Sigurnosni prekidač
- M Prekidač za uključivanje/isključivanje
- N Regulator za dubinu žleba
- P Bočna ograda
- Q Prorezi za hlađenje

SIGURNOST

OPŠTA UPUTSTVA O SIGURNOSTI

⚠ PAŽNJA! Čitajte sva upozorenja i uputstva. Propusti kod pridržavanja upozorenja i uputstava mogu imati za posledicu električni udar, požar i/ili teške povrede. **Čuvajte sva upozorenja i uputstva za budućnost.** Pojam upotrebljen u upozorenjima “električni alat” odnosi se na električne alate sa radom na mreži (sa mrežnim kablom) i na električne alate sa radom na akumulator (bez mrežnog kabla).

1) SIGURNOST NA RADNOM MESTU

- a) **Držite Vaše područje rada čisto i pospremljeno.**
Nered ili neosvetljena radna područja mogu voditi nesrećama.
- b) **Ne radite sa aparatom u okolini ugroženoj od eksplozija u kojoj se nalaze zapaljive tečnosti,**

gasovi ili prašine. Električni alati proizvode varnice, koje mogu zapaliti prašinu ili isparenja.

- c) **Za vreme korišćenja električnog alata držite podalje decu i druge osobe.** Kod skretanja možete izgubiti kontrolu nad aparatom.

2) ELEKTRIČNA SIGURNOST

- a) **Utikač za priključak aparata mora odgovarati utičnoj kutiji.** Utikač se nesme nikako menjati. **Ne upotrebljavajte adaptore utikača zajedno sa aparatima sa uzemljenom zaštitom.** Ne promenjeni utikači i odgovarajuće utičnice smanjuju rizik od električnog udara.
- b) **Izbegavajte telesni kontakt sa uzemljenim gornjim površinama, kao što su cevi, grejanja, šporeti i rashladni ormani.** Postoji povećani rizik od električnog udara, ako je Vaše telo uzemljeno.
- c) **Držite aparat podalje od kiše ili vlage.** Prodiranje vode u električni aparat povećava rizik od električnog udara.
- d) **Ne koristite kabl da bi aparat nosili, obesili ili ga izvlačili iz utičnice.** Držite kabl dalje od vreline, ulja, oštih ivica ili pokretnih delova aparata. Oštećeni ili zamršeni kablovi povećavaju rizik od elektrinog udara.
- e) **Ako sa nekim električnim alatom radite u prirodi, upotrebljavajte samo produžne kablove koji su dozvoljeni za spoljno područje.** Upotreba produžnog kabla pogodnog za spoljno područje smanjuje rizik od električnog udara.
- f) **Ako rad električnog alata ne može da se izbegne u vlažnoj okolini, koristite prekidač strujne zaštite pri kvaru.** Upotreba prekidača strujne zaštite pri kvaru smanjuje rizik od električnog udara.

3) SIGURNOST OSOBA

- a) **Budite pažljivi, pazite na to, šta radite i idite razumno na posao sa električnim alatom. Ne upotrebljavajte aparat, kada ste umorni ili pod uticajem droga, alkohola ili lekova.** Momenat nepažnje kod upotrebe aparata može voditi do ozbiljnih povreda.
- b) **Nosite ličnu zaštitnu opremu i uvek zaštitne naočare.** Nošenje lične zaštitne opreme, kao maske za prašinu, sigurnosne cipele koje ne klizaju, zaštitni šlem ili zaštitu za sluh, zavisno od vrste i upotrebe električnog alata, smanjujete rizik od povreda.
- c) **Izbegavajte nenamerno puštanje u rad. Uverite se da je električni alat isključen, pre nego što ga priključite na struju i/ili na akumulator, uzmete ga ili nosite.** Ako prilikom nošenja električnog alata držite prst na prekidaču ili aparat uključeni priključujete na struju, može ovo voditi nesrećama.
- d) **Uklonite alate za podešavanje ili ključeve za zavrtnje, pre nego što uključite aparat.** Alat ili ključ koji se nalazi u delu aparata koji se okreće, može voditi povredama.
- e) **Ne precenjujte sebe. Pobrnite se da sigurno stojite i održavajte u svako doba ravnotežu.** Na taj način možete bolje kontrolisati aparat u neočekivanim situacijama.
- f) **Nosite pogodno odelo. Ne nosite široko odelo ili nakit. Držite kosu, odelo i rukavice podalje od pokretnih delova.** Opušteno odelo, nakit ili duža kosa mogu biti zahvaćeni od rotirajućih delova.

- g) **Ako se mogu montirati uredjaji za usisavanje prašine i uredjaji za hvatanje prašine, uverite se da li su priključeni i ispravno koriste.** Upotreba usisavanja prašine može smanjiti opasnosti od prašine.

4) BRIZLJIVO OPHODJENJE I KORIŠĆENJE ELEKTRIČNIH ALATA

- a) **Ne preopterećujte aparat. Upotrebljavajte za Vaš posao električni alat odredjen za to.** Sa odgovarajućim električnim alatom radićete bolje i sigurnije u navedenom području rada.
- b) **Ne upotrebljavajte električni alat, čiji je prekidač u kvaru.** Električni alat koji više ne može da se uključi ili isključuje je opasan i mora da se popravi.
- c) **Izvućite utikač iz utičnice i/ili uklonite akumulator pre nego što preduzmete podešavanja na aparatu, promenu delova pribora ili ostavite aparat.** Ova mera opreza sprečava nenamernan start aparata.
- d) **Čuvajte nekorišćene električne alate izvan domašaja dece. Ne dopustite osobama da koriste aparat, koje ga ne poznaju ili nisu pročitali ova uputstva.** Električni alati su opasni, ako ih koriste neiskusne osobe.
- e) **Održavajte aparat brižljivo. Kontrolišite, da li pokretni delovi aparata funkcionišu besprekorno i ne slepljuju, da li su delovi slomljeni ili tako oštećeni, da je funkcija aparata oštećena. Popravite oštećene delove pre upotrebe aparata.** Mnoge nesreće imaju svoj uzrok u loše održavanim električnim alatima.
- f) **Držite alate za sečenja oštre i čiste.** Brižljivo negovani alati za sečenje sa oštrim sečivima manje slepljuju i lakše se vode.
- g) **Upotrebljavajte električne alate, pribor, alate koji se umeću itd. prema ovim uputstvima. Obratite pažnju pritom na uputstva za rad i posao koji treba izvesti.** Upotreba električnih alata za druge od propisanih namena može voditi opasnim situacijama.

5) SERVIS

- a) **Neka Vam Vaš aparat popravlja samo kvalifikovano stručno osoblje i samo sa originalnim rezervnim delovima.** Na taj način se obezbeđuje da ostane sačuvana sigurnost aparata.

UPUTSTVA ZA BEZBEDAN RAD SA STRUGOM

OPŠTA

- Ovaj alat ne treba da koriste osobe ispod 16 godina
- Buka koju alat proizvodi tokom rada može da premaši 85 dB(A); nosite zaštitu za sluh
- **Ne obrađujte nikakav materijal koji sadrži azbest** (azbest važi kao izazivač raka)
- Prašina od materijala, kao što su boja koja sadrži olovo, neke vrste drveta, minerali i metal, može biti opasna (dodir ili udisanje prašine može prouzrokovati alergijske reakcije i/ili respiratorna oboljenja rukovaoca i lica u blizini); **nosite masku protiv prašine i radite uz uključeni uređaj za ekstrakciju prašine kada radite na mestima gde ju je moguće priključiti**
- Odredene vrste prašine su klasifikovane kao kancerogene (kao što su prašina hrastovine i bukovine), posebno u sadejstvu sa aditivima za pripremu drveta; **nosite masku protiv prašine i radite uz uključeni uređaj za ekstrakciju prašine kada radite na mestima gde ju je moguće priključiti**

- Prati nacionalne propise vezane za prašinu koja se proizvodi prilikom rada na obrađivanim materijalima
- SKIL može priznati garanciju samo ukoliko je korišćen odgovarajući pribor koji možete da nabavite kod svog SKIL prodavca
- Nikada nemojte da koristite alat ako je kabl oštećen; zamenu kabla mora da obavi stručno lice
- **Obavezno iskopčajte alat iz utičnice pre nego što izvršite bilo kakva podešavanja ili zamenu pribora**

PRE UPOTREBE

- Uvek se uverite da je napon struje isti kao i napon naveden na pločici sa nazivom alatu (alati na kojima je naveden napon od 230V ili 240V mogu da rade i na 220V)
- Izbegavajte oštećenja od šrafova, eksera i drugih predmeta na vašem području rada; uklonite ih pre nego što započnete rad
- Pre upotrebe proverite da noževi ne dodiruju ni jedan deo električnog alata
- Produžni kabl koji koristite mora da bude sasvim odmotan i siguran, sa kapacitetom od 16 A
- **Upotrebite stezaljke ili na drugi praktičan način učvrstite i poduprite radni predmet na stabilnu platformu** (ako radni predmet držite rukom ili ga oslonite o telo, on tada nije stabilan i može doći do gubitka kontrole)

TOKOM UPOTREBE

- **Hvatajte električni alat za izolovane hvataljke zato što rezač može da dodirne svoj kabl** (presecanje žice pod naponom može da izloži metalne delove električnog alata naponu i izazove električni udar kod rukovaoca)
- Kabl uvek držite podalje od pokretnih delova alata; uvek ga treba držati iza alata
- Prste držite podalje od noževa koji se okreću
- U slučaju da dođe do električnog ili mehaničkog kvara, odmah isključite alat i iskopčajte ga iz utičnice
- Ako se kabl ošteti ili preseče u toku rada, odmah ga iskopčajte i nemojte ga dodirivati
- Ako se otvor za strugotine zapuši, obavezno isključite motor, proverite da li su se zaustavili svi pokretni delovi električnog alata, iskopčajte kabl iz utičnice i uklonite strugotine

NAKON UPOTREBE

- **Sačekajte da se blok za rezač zaustavi pre nego što spustite alat** (nož može da zakači površinu i da prouzrokuje gubitak kontrole i ozbiljne povrede)

UPUTSTVO ZA KORIŠĆENJE

- Zamenite/okretanje noževa ④
Ovaj strug je opremljen noževima koji ne mogu da se oštire i koji imaju oštice sa obe strane; ako se jedna strana istupi, može da se koristi druga
! isključite alat i iskopčajte ga iz utičnice
 - ukoliko su postavljeni, uklonite uređaje za vođenje
 - izvadite ključ iz skladišta A
 - okrenite alat naopačke
 - otpustite 3 reze B pomoću ključa (nemojte da uklanjate reze)
 - izvucite nož iz bloka za rezač pomoću komada drveta
 - okrenite nož i vratite ga u blok za rezač ili upotrebite drugi nož**! žleb na nožu treba da se poklopi sa ležištem bloka za rezač**

! **oba kraja noža moraju da vire podjednako**
! **treba paziti da oštrica noža X bude u ravni sa podnožjem (u tu svrhu položite lenjir na kućište i koristite ga kao graničnik)**

- snažno pričvrstite 3 reze B pomoću ključa

! **istovremeno zamenite/okrenite noževe; koristite samo oštre noževe**

! **uvek istovremeno vršite zamenu/okretanje oba noža**

! **nemojte da pokušavate da podešavate noževe pomoću C šrafova bloka za rezač, jer su oni fabrički podešeni**

- Podešavanje dubine struganja (0-3 mm) ⑤
 - okrenite dugme D da biste izabrali željenu dubinu
 - koristite liniju na indikatoru E kao referencu
 - uvek izaberite plitku dubinu struganja i ponavljajte proces struganja i podešavanja, sve dok ne postignete željenu dubinu
- Otvor za iverice ⑥
 - sa prekidačem G birate željenu stranu otvora za iverice (leva ili desna)
 - priključite usisavač sa adapterom H na odabrani otvor za strugotine na način kako je prikazano
 - možete da postavite i vreću za prašinu J na odabrani otvor za strugotinu na način kako je prikazano
- ! **ne pokušavajte da uklonite bilo kakve prepreke iz odeljka za prašinu dok se noževi okreću**
- Stopalo za odlaganje K ⑦
 - štiti područje rada od oštećenja kada se alat položi na stranu
 - automatski se savija unazad pri struganju
- Rukovanje alatom
 - podesite dubinu struganja
 - postavite alat na područje rada
- ! **proverite da li se prednja papučica oslanja na područje rada i da je noževi ne dodiruju**
- uključite alat pritiskom na dugme L ② (= sigurnosni prekidač koji ne može da se zaključa), a zatim povucite prekidač M ②
- ! **alat bi trebalo da radi u punoj brzini pre nego što noževi dodirnu područje rada**
- snažno držite električni alat obema rukama i vodite ga unapred neprekidnim potezima
- ! **dok radite, uvek držite alat za mesto(a) koje(a) su označena sivom bojom ⑧**
- koristite električni alat sa osnovnom pločom na području rada
- nemojte da naginjete alat, da biste izbegli pojavljivanje neželjenih tragova struganja
- prerezi za hlađenje Q ② moraju da budu otvoreni
- ! **uređaj treba da ga podignete sa područja rada pre nego što ga isključite**
- isključite alat otpuštanjem prekidača M
- Struganje žlebova ⑨
 - izaberite željenu dubinu struganja
 - izaberite dubinu žlebova korišćenjem regulatora za dubinu žleba N
 - postavite alat na područje rada
 - započnite struganje
 - maksimalna širina žlebova iznosi 82 mm
 - maksimalna dubina žlebova iznosi 15 mm

- Pri struganju žlebova bolje rezultate ćete postići korišćenjem bočne ograde P za podešavanje širine žlebova ⑩

SAVETI ZA PRIMENU

- Za struganje ivica koristite prednji V-žleba papučice
 - podesite dugme D u položaju "0"
 - odaberite onu sa 3 V-žleba
- ! **uvek izvršite probu na višku materijala**

ODRŽAVANJE / SERVIS

- Alat i kabl uvek održavajte čistim (posebno otvore za hlađenje Q ②)
- ! **pre čišćenja iskopčajte kabl iz utičnice**
- Ako bi alat i pored brižljivog postupka izrade i kontrole nekada otkazao, popravku mora vršiti neki autorizovani servis za SKIL-električne alate
 - pošaljite **nerastavljeni** alat zajedno sa potvrdom o kupovini vašem nabavljaču ili najbližem SKIL servisu (adrese i oznake rezervnih delova možete naći na www.skilmasters.com)

ZAŠTITA OKOLINE

- **Električne alate, pribora i ambalaže ne odlažite u kućne otpatke** (samo za EU-države)
 - prema Evropskoj direktivi 2012/19/EG o staroj električnoj i elektronskoj opremi i njenoj upotrebi u skladu sa nacionalnim pravom, električni alati koji su istrošeni moraju biti sakupljeni odvojeno i dostavljeni pogonu za reciklažu
 - simbol ⑫ će vas podsetiti na to

DEKLARACIJA O USKLAĐENOSTI CE

- Izjavljujemo na vlastitu odgovornost da je pod "Tehnički podaci" opisani proizvod usaglašen sa sledećim standardima ili normativnim aktima: EN 60745, EN 61000, EN 55014 prema odredbama smernica 2004/108/EG, 2006/42/EG, 2011/65/EU
- **Tehnički dokumentacioni kod:** SKIL Europe BV (PT-SEU/ENG1), 4825 BD Breda, NL

Marijn van der Hoofden Olaf Dijkgraaf
Operations & Engineering Approval Manager

SKIL Europe BV, 4825 BD Breda, NL

23.12.2013

BUKA/VIBRACIJE

- Mereno u skladu sa EN 60745 nivo pritiska zvuka ovog alata iznosi 91 dB(A) a jačina zvuka 102 dB(A) (normalno odstupanje: 3 dB), a vibracija 6,9 m/s² (mereno metodom na šaci-ruci; nesigurnost K = 1,5 m/s²)
- Nivo emisije vibracija izmeren je u skladu sa standardizovanim testom datim u EN 60745; on se može koristiti za upoređenje jedne alatke sa drugom, kao i za preliminarnu procenu izloženosti vibracijama pri korišćenju ove alatke za pomenute namene

- koriščenje alatke u drugačije svrhe ili sa drugačijim ili slabo održanim nastavcima može značajno **povečati** nivo izloženosti
- vreme kada je alatka isključena ili kada je uključena, ali se njome ne radi, može značajno **zmanjiti** nivo izloženosti
- ! **zaštitite se od posledica vibracija održavanjem alatke i njenih nastavaka, održavajući Vaše ruke toplim i organizovanjem Vaših radnih obrazaca**

SL0

Brusilnik

1570

UVOD

- Ta stroj je namenjen brušenju lesenih materialov, kot so tramovi in deske; z njim lahko tudi brusite ostre robove in naredite utor
- Preberite in shranite navodila za uporabo ③

TEHNIČNI PODATKI ①

DELI ORODJA ②

- A Mesto za shranjevanje ključa
- B Varnostni zapah
- C Vijaki oporišča za rezilo
- D Gumb za nastavitve globine struženja
- E Indikator globine struženja
- F Izmet za oblance (levo/desno)
- G Stikalo izmeta za oblance
- H Adapter za sesalniki
- J Vrečka za prah
- K Odlagalni nastavek
- L Varnostno stikalo
- M Stikalo vklopi/izklopi
- N Malu gropju dizljuma regulat
- P Stransko vodilo
- Q Ventilacijske reže

VARNOST

SPLOŠNA VARNOSTNA NAVODILA

⚠ OPOZORILO! Preberite vsa opozorila in napotila. Napake zaradi neupoštevanja spodaj navedenih opozoril in napotil lahko povzročijo električni udar, požar in/ali težke telesne poškodbe. **Vsa opozorila in napotila shranite, ker jih boste v prihodnje še potrebovali.** Pojem "električno orodje", ki se pojavlja v nadaljnjem besedilu, se nanaša na električna orodja z električnim pogonom (z električnim kablom) in na akumulatorska električna orodja (brez električnega kabla).

1) VARNOST NA DELOVNEM MESTU

- Poskrbite, da bo Vaše delovno mesto vedno čisto in urejeno.** Nered ali neosvetljena delovna področja lahko povzročijo nezgode.
- Prosimo, da orodja ne uporabljate v okolju, kjer je nevarnost za eksplozije in v katerem se nahajajo gorljive tekočine, plini in prah.** Električna orodja

povzročajo iskrenje, zato se gorljivi prah ali pare lahko vnamejo.

- Ne dovolite otrokom in drugim osebam, da bi se medtem ko delate, približali električnemu orodju.** Druge osebe lahko odvrnejo Vašo pozornost drugam in izgubili boste nadzor nad orodje.

2) ELEKTRIČNA VARNOST

- Vtič mora ustrezati električni vtičnici in ga pod nobenim pogojem ne smete spreminjati. Uporaba adapterskih vtičev v kombinaciji z ozemljena orodja ni dovoljena.** Originalni oziroma nespremenjeni vtiči in ustrezne vtičnice zmanjšujejo tveganje električnega udara.
- Izogibajte se telesnemu stiku z ozemljenimi površinami, na primer s cevmi, grelci, štedilniki in hladilniki.** Če je ozemljeno tudi vaše telo, obstaja povečano tveganje električnega udara.
- Zavarujte orodje pred dežjem ali vlago.** Vdor vode v električno orodje povečuje tveganje električnega udara.
- Električnega kabla ne uporabljajte za prenašanje ali obežanje orodja in ne vlecite vtič iz vtičnice tako, da vlečete za kabel. Zavarujte kabel pred vročino, oljem, ostrimi robovi in premikajočimi se deli orodja.** Poškodovani ali prepleteni kabli povečujejo tveganje električnega udara.
- Če z električnim orodjem delate na prostem, uporabljajte izključno kabelski podaljšek, ki je atestiran za delo na prostem.** Uporaba kabelskega podaljška, primerne za delo na prostem, zmanjšuje tveganje električnega udara.
- Če je uporaba električnega orodja v vlažnem okolju neizogibna, uporabljajte prekinjevalec električnega tokokroga.** Prekinjevalec električnega tokokroga zmanjšuje tveganje električnega udara.

3) OSEBNA VARNOST

- Bitite zbrani in pazite, kaj delate. Dela z električnim orodjem se lotite razumno. Nikoli ne uporabljajte orodja, če ste utrujeni in če ste pod vplivom mamil, alkohola ali zdravil.** En sam trenutek nepazljivosti pri uporabi orodja ima lahko za posledico resne telesne poškodbe.
- Uporabljajte osebna zaščitna sredstva in vedno nosite zaščitna očala.** Uporaba osebnih zaščitnih sredstev, na primer maske proti prahu, nedrsečih zaščitnih čevljev, zaščitne čelade in glušnikov, odvisno od vrste in uporabe električnega orodja, zmanjšuje tveganje telesnih poškodb.
- Izogibajte se nenamernemu zagonu. Pred priključitvijo električnega orodja na električno omrežje in/ali na akumulator in pred dviganjem ali nošenjem se prepričajte, če je električno orodje izklopljeno.** Prenašanje naprave s prstom na stikalo ali priključitev vklopljenega električnega orodja na električno omrežje je lahko vzrok za nezgodo.
- Pred vklopom orodja odstranite z nje nastavitvena orodja ali vijačni ključ.** Orodje ali ključ, ki se nahajata na vrtečem se delu električnega orodja, lahko povzročita nezgodo.
- Ne preценjujte se in poskrbite za varno stojišče in stalno ravnotežje.** Tako boste lahko v nepričakovani situaciji bolje obvladali orodje.

- f) **Nosite primerno obleko, ki naj ne bo preohlapna. Ne nosite nakita. Lasje, oblačilo in rokavice naj se ne približujejo premikajočim se delom orodja.** Premikajoči se deli orodja lahko zgrabijo ohlapno obleko, nakit, ali dolge lase.
- g) **Če je možno na orodje namestiti priprave za odsesavanje in prestrezanje prahu, prepričajte se, ali so le-te priključene in, če jih pravilno uporabljate.** Uporaba priprave za odsesavanje prahu zmanjšuje zdravstveno ogroženost zaradi prahu.
- 4) RAVNANJE IN NEGA ROČNEGA ORODJA**
- a) **Ne prebremenjujte orodja. Za določeno delo uporabljajte električno orodje, ki je predvideno za opravljanje tega dela.** Z ustreznim električnim orodjem boste delo opravili bolje in varneje, ker je bilo v ta namen tudi konstruirano.
- b) **Električno orodje, ki ima pokvarjeno stikalo, ne uporabljajte.** Električno orodje, ki ga ni možno vklopiti ali izklopiti, je nevarno in ga je potrebno popraviti.
- c) **Pred nastavljanjem naprave, zamenjavo delov pribora ali odlaganjem naprave izvlecite vtikač iz električne vtičnice in/ali odstranite akumulator.** Ta previdnostni ukrep onemogoča nepredviden zagon orodja.
- d) **Kadar orodja ne uporabljate ga shranjujte izven dosega otrok. Osebam, ki orodja ne poznajo ali niso prebrale teh navodil, orodja ne dovolite uporabljati.** Električna orodja so nevarna, če jih uporabljajo neizkušene osebe.
- e) **Skrbno negujte orodje. Preverite, če premikajoči se deli orodja delujejo brezhibno in če se ne zatikajo, oziroma, če kakšen del orodja ni zlomljen ali poškodovan do te mere, da bi oviral njegovo delovanje. Pred nadaljnjo uporabo je potrebno poškodovani del popraviti.** Vzrok za številne nezgode so ravno slabo vzdrževana električna orodja.
- f) **Rezalna orodja naj bodo ostra in čista.** Skrbno negovana rezalna orodja z ostrimi rezili se manj zatikajo in so boljše vodljiva.
- g) **Električna orodja, pribor, nastavke in podobno uporabljajte v skladu s temi navodili. Pri tem upoštevajte delovne pogoje in vrsto dela, ki ga nameravate opraviti.** Zaradi uporabe električnega orodja v druge, nepredvidene namene, lahko nastanejo nevarne situacije.
- 5) SERVIS**
- a) **Popravilo orodja lahko opravi samo usposobljena strokovna oseba in to izključno z originalnimi nadomestnimi deli.** Le tako bo ohranjena nadaljnja varnost orodja.

VARNOSTNA NAVODILA ZA UPORABO BRUSILNIKA

SPLOŠNO

- Orodja naj ne bi uporabljale osebe mlajše od 16 let
- Med delom lahko nivo hrupa presega 85 dB(A); uporabljajte zaščito proti hrupu
- **Ne obdelujte materiala, ki vsebuje azbest** (azbest povzroča rakasta obolenja)
- Prah materialov, kot so barve, ki vsebujejo svinec, nekatere vrste lesa, mineralov ali kovin so lahko škodljivi (ob stiku ali vdihavanju lahko prah pri delavcu ali pri drugih prisotnih povzroči alergijsko reakcijo in/ali bolezn

dihal); **nosite masko za prah in pri delu uporabljajte napravo za odsesavanje prahu, kjer je le-to možno priključiti**

- Nekaterе vrste prahu so klasificirane kot kancerogene (kot npr. prah hrasta in bukke) še posebno ob sočasni uporabi z dodatki za obdelavo lesa; **nosite masko za prah in pri delu uporabljajte napravo za odsesavanje prahu, kjer je le-to možno priključiti**
- Upoštevajte nacionalne zahteve glede prahu za materiale katere želite obdelovati
- SKIL zagotavlja brezhibno delovanje orodja le z uporabo pravega dodatnega pribora, ki ga dobite pri SKIL-ovih trgovcih
- Nikoli ne uporabljajte orodja, če je kabel poškodovan; okvaro naj odpravi strokovnjak
- **Vedno izvlecite električni vtikač iz vtičnice preden spreminjate nastavitve ali menjate pribor**

PRED UPORABO

- Vedno preverite, če je napetost omrežja enaka napetosti, ki je navedena na tablici orodja (orodje z nazivno napetostjo 230V ali 240V lahko priključite tudi na napetost 220V)
- Izogibajte se poškodb zaradi vijakov, žebeljev ali drugih elementov v obdelovancu; odstranite jih pred začetkom dela
- Pred uporabo preverite, da se noži ničesar ne dotikajo
- Uporabljajte povsem iztegnjene in varne električne podaljške, z jakostjo 16 amperov
- **Obdelovavec zavarujte in pritrdite s sponami ali drugo opremo** (če obdelovavec držite z rokami ali proti telesu, bo nestabilen in lahko izgubite nadzor nad orodjem)

MED UPORABO

- **Orodje držite za izolirane dele ročaja, če med delom pride rezalnik v stik z lastnim priključnim kablom** (stik z vodnikom pod napetostjo lahko povzroči, da so pod napetostjo tudi izpostavljeni kovinski deli orodja, kar lahko povzroči električni udar za uporabnika)
- Kabel naj bo vedno odmaknjen od gibljivih delov stroja; usmerite ga proti zadnjemu delu, stran od stroja
- Umaknite prste od nožev, ki se vrtijo
- Če pride do električnih ali mehanskih okvar, takoj izklopite stroj in izvlecite vtikač iz vtičnice
- Če je priključni kabel poškodovan ali se med delom pretrga se ga ne dotikajte, temveč takoj potegnite električni vtikač iz vtičnice
- Če bi se kakršenkoli drobec zagostil v odprtini za izpuh drobcev, morate izklopiti motor, se prepričati, da so se vsi premikajoči se deli popolnoma zaustavili, izvleči napajalni kabel iz napajanja in odstraniti zagosten drobec

PO UPORABI

- **Počakajte, da se oporišča za rezilo zaustavi, preden stroj odložite** (nezaščiten nože lahko pride v stik s površino, ob čemer lahko izgubite nadzor nad orodjem in povzročite hude poškodbe)

UPORABA

- Zamenjava/obračanje nožev ④
Ta brusilnik je opremljen z nelomljivimi noži z rezilnimi robovi na obeh straneh; če torej nož na eni strani postane top, ga lahko obrnete
! izklopite orodje in izvlecite vtiaka iz vtičnice
 - odstranite vodila, če so nameščena
 - vzemite ključ za matice iz prostora za shranjevanje A
 - obrnite orodje na glavo
 - sprostite 3 zapaha B s ključem (zapahov ne odstranjujte)
 - potisnite nož iz oporišča za rezilo s kosom lesa
 - ponovno namestite nož v oporišče za rezilo v obrnjen položaj, ali uporabite nov nož**! uter na nožu se mora prilagajati naslonilu na oporišču za rezilo**
! dolžina obeh koncev noža mora biti enaka
! zagotovite, da je konec noža X poravnal s podnožjem (vzemite ravnilo, ki naj vam služi kot omejitnik in ga pristonite, kot je prikazano, ob ohišje)
 - trdno privijte 3 zapaha B s ključem**! zamenjate/obrnite nože pravočasno; uporabljajte le ostre nože**
! vedno zamenjajte/obrnite oba noža istočasno;
! ne poskušajte prilagoditi nožev z vijaki oporišča za rezilo C, ki jih je vnaprej nastavil proizvajalec
- Prilagoditev globine brušenja (0-3 mm) ⑤
 - obrnite gumb D in izberite zeleno globino
 - pri tem naj vam bo v pomoč črta E (indikator)
 - vedno izberite plitko globino brušenja in ponovite brušenje in postopek prilagajanja, dokler ne dosežete potrebne globine
- Izmet za oblace ⑥
 - s stikalom G izberite zeleno stran izmetavanja oblance (levo/desno)
 - povežite vakumski sesalnik z adapterjem H na želeni izmet za oblace, kot je prikazano
 - na želeni izmet za oblace pa lahko povežete tudi vrečo za prah J, kot je prikazano**! med vrtenjem nožev iz izmeta za oblace ne poskušajte odstranjovati nobenih zagozdenih predmetov**
- Odlagalni nastavek K ⑦
 - varuje obdelovalni predmet pred poškodbami, medtem ko ste orodje odložili
 - samodejno pade nazaj med brušenjem
- Upravljanje orodja
 - prilagodite globino brušenja
 - postavite stroj na obdelovalni predmet**! prepričajte se, da je le sprednji del naslonjen na obdelovalni predmet in da se ga noži ne dotikajo**
 - vklopite stroj, tako da najprej pritisnete gumb L ② (= varnostno stikalo, ki ga ne morete zakleniti) in nato povlecite sprožilec M ②**! preden se stružni noži dotaknejo obdelovalnega predmeta, mora stroj teči pri polni hitrosti**
 - z obeh rokama trdno primate stroj in ga neprekinjeno vodite naprej**! med delom vedno držite orodje za sivo obarvano mesto prijema ⑧**

- stroj uporabljajte tako, da je temeljna plošča plosko na obdelovalnem predmetu
- da bi se izognili neželenim brusnim madežem, stroja med delom ne nagibajte
- ventilacijske reže Q ② morajo biti nepokrite
- ! preden orodje izklopite, bi ga morali odmakniti od predmeta, ki ga obdelujete**
- izklopite orodje, tako da sprostite sprožilec M
- Brušenje utorov ⑨
 - izberite zeleno globino brušenja
 - z dodatkom za prilagajanje globine N izberite globino utora
 - postavite stroj na obdelovalni predmet
 - začnite brusiti
 - največja širino utora 82 mm
 - največja globino utora 15 mm
- Ko brusite utore, boste boljše rezultate dosegli z uporabo varnostne ograje P, s katero prilagodite širino brušenja utora ⑩

UPORABNI NASVETI

- Za posnemanje robov uporabite V-utore na sprednji plošči ⑩
 - nastavite gumb D v položaj "0"
 - izberite enega od 3 V-utorov**! vedno napravite test na odpadnem materialu**

VZDRŽEVANJE/SERVISIRANJE

- Priključni kabel in orodje naj bosta vedno čista (posebej še prezračevalne odprtine Q ②)
! izvlecite vtiaka iz vtičnice pred čiščenjem
- Če bi kljub skrbnim postopkom izdelave in preizkušanja prišlo do izpada delovanja orodja, naj popravilo opravi servisna delavnica, pooblaščen za popravila SKILevih električnih orodij
 - pošljite **nerazstavljeno** orodje skupaj s potrdilom o nakupu pri vašemu prodajalcu v najbližjo SKIL servisno delavnico (naslovi, kot tudi spisek rezervnih delov se nahajajo na www.skilmasters.com)

OKOLJE

- **Električnega orodja, pribora in embalaže ne odstranjujte s hišnimi odpadki** (samo za države EU)
 - v skladu z Evropsko direktivo 2012/19/EG o odpadni električni in elektronski opremi in z njenim izvajanjem v nacionalni zakonodaji je treba električna orodja ob koncu njihove življenjske dobe ločeno zbirati in jih predati v postopek okolju prijaznega recikliranja
 - ko je potrebno odstranjevanje, naj vas o načinu spomni simbol ⑫

IZJAVA O SKLADNOSTI CE

- Izjavljamo pod izključno odgovornostjo, da proizvod pod "Tehnični podatki" ustreza naslednjim standardom oz. standardiziranim dokumentom: EN 60745, EN 61000, EN 55014 v skladu z določili direktiv 2004/108/ES, 2006/42/ES, 2011/65/EU

- **Tehnična dokumentacija se nahaja pri:** SKIL Europe BV (PT-SEU/ENG1), 4825 BD Breda, NL

Marijn van der Hoofden Olaf Dijkgraaf
Operations & Engineering Approval Manager

SKIL Europe BV, 4825 BD Breda, NL

23.12.2013

HRUP/VIBRACIJA

- Izmerjeno v skladu s predpisom EN 60745 je raven zvóčnega pritiska za to orodje 91 dB(A) in jakosti zvoka 102 dB(A) (standarden odmik: 3 dB), in vibracija 6,9 m/s² (metoda dlan-roka; netočnost K = 1,5 m/s²)
- Raven oddajanja vibracij je bila izmerjena v skladu s standardiziranimi testi, navedenimi v EN 60745; uporabiti jo je mogoče za primerjavo različnih orodij med seboj in za predhodno primerjavo izpostavljenosti vibracijam pri uporabi orodja za namene, ki so omenjeni
 - uporaba orodja za drugačne namene ali uporaba skupaj z drugimi, slabo vzdrževanimi nastavki lahko znatno **poveča** raven izpostavljenosti
 - čas, ko je orodje izklopljeno ali ko teče, vendar z njim ne delamo, lahko znatno **zmanjša** raven izpostavljenosti
- ! **pred posledicami vibracij se zaščitite z vzdrževanjem orodja in pripadajočih nastavkov, ter tako, da so vaše roke tople, vaši delovni vzorci pa organizirani**

EST

Höövél

1570

SISSEJUHATUS

- Seade on ettenähtud puitmaterjalide, näiteks prusside ja laudade hööveldamiseks; seade sobib ka servade faasimiseks ja õnardamiseks
- Palun lugege käesolev kasutusjuhend hoolikalt läbi ja hoidke alles ③

TEHNILISED ANDMED ①

SEADME OSAD ②

- A Lehtvõtme hoidik
- B Kinnitusmutter
- C Teravõlli kruvid
- D Nupp hööveldussügavuse reguleerimiseks
- E Hööveldussügavuse indikaator
- F Laastude äratõmbeava (vasak/parem)
- G Laastude äratõmbeava lüliti
- H Tolmuimejaadapteri
- J Toimukott
- K Seisutald
- L Turvalüliti
- M Tööüliti (sisse/välja)

- N Õnardussügavuse piiraja
- P Paralleeljuhk
- Q Öhutusavad

OHUTUS

ÜLDISED OHUTUSJUHISED

⚠ TÄHELEPANU! Kõik ohutusnõuded ja juhised tuleb läbi lugeda. Ohutusnõuete ja juhiste eiramise tagajärjeks võib olla elektrilöökk, tulekahju ja/või rasked vigastused. **Hoidke kõik ohutusnõuded ja juhised edasiseks kasutamiseks hoolikalt alles.** Allpool kasutatud mõiste "elektriline tööriist" käib võrgutoitega (toitejuhtmega) elektriliste tööriistade ja akutoitega (ilma toitejuhtmeta) elektriliste tööriistade kohta.

1) OHUTUSNÕUDEDE TÖÖPIIRKONNAS

- a) **Hoidke töökoht puhas ja korras.** Segadus või valgustamata tööpiirkonnad võivad põhjustada õnnetusi.
- b) **Ärge kasutage seadet plahvatusohtlikus keskkonnas, kus leidub tuleohtlikke vedelikke, gaase või tolmu.** Elektrilistest tööriistadest lööb sädemeid, mis võivad tolmu või auru süüdata.
- c) **Kui kasutate elektrilist tööriista, hoidke lapsed ja teised isikud töökohast eemal.** Kui Teie tähelepanu kõrvale juhitakse, võib seade Teie kontrolli alt väljuda.

2) ELEKTRIOHUTUS

- a) **Seadme pistik peab pistikupesasse sobima. Pistiku kallal ei tohi teha mingeid muudatusi. Ärge kasutage kaitsemaandusega seadmete puhul adapterpistikuid.** Muutmata pistikud ja sobivad pistikupesad vähendavad elektrilöögi saamise riski.
- b) **Vältige kehakontakti maandatud pindadega, nagu torud, radiaatorid, pliidid ja külmikud.** Kui Teie keha on maandatud, on elektrilöögi risk suurem.
- c) **Hoidke seadet vihma ja niiskuse eest.** Kui elektriseadmesse on sattunud vett, on elektrilöögi saamise risk suurem.
- d) **Ärge kasutage toitejuhet selleks mitte ettenähtud otstarbel seadme kandmiseks, ülesriputamiseks ega pistiku pistikupesast väljatõmbamiseks. Hoidke toitejuhet kuumuse, õli, teravate servade ja seadme liikuvate osade eest.** Kahjustatud või keerduläinud toitejuhtmed suurendavad elektrilöögi saamise riski.
- e) **Kui töötate elektrilise tööriistaga vabas õhus, kasutage ainult selliseid pikendusjuhtmeid, mida on lubatud kasutada ka välitingimustes.** Välitingimustes kasutamiseks sobiva pikendusjuhtme kasutamine vähendab elektrilöögi saamise riski.
- f) **Kui elektrilise tööriista kasutamine niiskes keskkonnas on vältimatu, kasutage maandusega lekkevoolukaitset.** Maandusega lekkevoolukaitse kasutamine vähendab elektrilöögi ohtu.

3) INIMESTE TURVALISUS

- a) **Olge tähelepanelik, jälgige, mida Te teete, ning toimige elektrilise tööriistaga töötades mõistlikult. Ärge kasutage seadet, kui olete väsinud või uimastite, alkoholi või ravimite mõju all.** Hetkeline tähelepanematus seadme kasutamisel võib põhjustada tõsisemaid vigastusi.

- b) **Kandke isikukaitsevahendeid ja alati kaitseprille.** Isikukaitsevahendite, nagu tolmu mask, libisemiskindlad turvajalatsid, kaitsekiiver või kuulmiskaitsevahendid, kandmine – sõltuvalt elektrilise tööriista tüübist ja kasutusala – vähendab vigastuste riski.
- c) **Vältige seadme tahtmatut käivitamist. Enne pistiku ühendamist pistikupesassa, aku ühendamist seadme külge, seadme ülestõstmist ja kandmist veenduge, et elektriline tööriist on välja lülitatud.** Kui hoiate elektrilise tööriista kandmisel sõrme lülil või ühendate vooluvõrku sisselülitatud seadme, võivad tagajärjeks olla õnnetused.
- d) **Enne seadme sisselülitamist eemaldage selle küljest reguleerimis- ja mutrivõtmed.** Seadme pöörleva osa küljes olev reguleerimis- või mutrivõti võib põhjustada vigastusi.
- e) **Ärge hinnake end üle. Võtke stabiilne töösens ja hoidke kogu aeg tasakaalu.** Nii saate seadet ootamatutes olukordades paremini kontrollida.
- f) **Kandke sobivat rõivastust. Ärge kandke laiu riideid ega ehteid. Hoidke juuksed, rõivad ja kindad seadme liikuvatest osadest eemal.** Lotendavad riided, ehted või pikad juuksed võivad sattuda seadme liikuvate osade vahele.
- g) **Kui on võimalik paigaldada tolmu eemaldus- ja tolmu kogumisseadiseid/seadmeid, veenduge, et need oleksid seadmega ühendatud ja et neid kasutataks õigesti.** Tolmu eemaldusseadise kasutamine vähendab tolmu põhjustatud ohte.
- 4) ELEKTRILISTE TÖÖRIISTADE HOOLIKAS KÄSITSEMIN JA KASUTAMINE**
- a) **Ärge koormake seadet üle. Kasutage töö tegemiseks selleks ettenähtud elektrilist tööriista.** Sobiva elektrilise tööriistaga töötate paremini ja turvalisemalt ettenähtud võimsusvahemikus.
- b) **Ärge kasutage elektrilist tööriista, mille lüliti on rikkis.** Elektriline tööriist, mida ei ole enam võimalik sisse ja välja lülitada, on ohtlik ning seda tuleb remontida.
- c) **Tõmmake pistik pistikupesast välja ja/või eemaldage seadmest aku enne seadme reguleerimist, tarvikute vahetamist ja seadme ärapanekut.** See ettevaatusabinõu väldib seadme tahtmatut käivitamist.
- d) **Kasutusvälisel ajal hoidke elektrilisi tööriistu lastele kättesaamatu. Ärge laske seadet kasutada isikutel, kes seda ei tunne või pole siinoodud juhised lugenud.** Kogenematute kasutajate käes kujutavad elektrilised tööriistad ohtu.
- e) **Hoolitsege seadme eest. Kontrollige, kas seadme liikuvad osad funktsioneerivad korralikult ja ei kiildu kinni, ning ega mõned osad ei ole katki või sel määral kahjustatud, et võiksid mõjutada seadme töökindlust. Laske kahjustatud osad enne seadme kasutamist parandada.** Paljude õnnetuste põhjuseks on halvasti hooldatud elektrilised tööriistad.
- f) **Hoidke lõiketarvikud teravad ja puhtad.** Hoolikalt hoitud, teravate lõikeservadega lõiketarvikud kiilduvad harvemini kinni ja neid on lihtsam juhtida.
- g) **Kasutage elektrilist tööriista, lisavarustust, tarvikuid jne vastavalt siinoodud juhistele. Arvestage seejuures töötingimuste ja teostatava töö**

iseloomuga. Elektriliste tööriistade kasutamine mitte ettenähtud otstarbel võib põhjustada ohtlikke olukordi.

5) TEENINDUS

- a) **Laske seadet parandada ainult kvalifitseeritud spetsialistidel ja ainult originaalvaruosadega.** Nii tagate seadme püsimise turvalisena.

OHUTUSJUHISED HÖÖVLITE KOHTA

ÜLDIST

- Tööriista kasutaja peab olema vähemalt 16 aastat vana
- Töötamise ajal võib müratase ületada 85 dB(A); kandke kuulmiskaitsevahendeid
- **Asbestisaldava materjali töötlemine on keelatud** (asbest võib tekitada vähki)
- Värviga kaetud juhtmed, mõned puiduliigid, mineraalid ja metall eraldavad tolmu, mis võib olla kahjulik (kokkupuude tolmu või selle sissehingamine võib seadme kasutajal või läheduses viibival inimesel põhjustada allergilisi reaktsioone ja/või hingamisteede haigusi); **kandke tolmu maski ja vajaduse korral töötage külgeühendatava tolmu eemaldusseadmega**
- Teatud tüüpi tolmu on klassifitseeritud kantserogeensena (nt tammest ja kasest eralduv tolmu), eriti koos puudu niiskuse reguleerimiseks kasutatavate lisanditega; **kandke tolmu maski ja vajaduse korral töötage külgeühendatava tolmu eemaldusseadmega**
- Erinevate materjalide töötlemisel tekkiva tolmu käitlemisel tuleb järgida kehtivaid nõudeid
- SKIL tagab seadme häireteta töö üksnes sobivate tarvikute kasutamisel, mis on saadaval meie edasimüüjate juures või SKIL'i lepingulistest töökodades
- Ärge kunagi kasutage kahjustatud toitejuhtmega tööriista; laske toitejuhe remonditöökojas välja vahetada
- **Enne seadme reguleerimist või tarvikute vahetust eemaldage seade vooluvõrgust (tõmmake pistik pistikupesast välja)**

ENNE KASUTAMIST

- Kontrollige alati, kas võrgupinge ühtib tööriista andesildil toodud pingega (andesildil toodud 230V või 240V korral võib tööriistad kasutada ka 220V võrgupinge puhul)
- Vältige töödeldavas esemes olevatest kruvidest, naeltelt vms põhjustatud kahjustusi; eemaldage need enne töö alustamist
- Enne seadme kasutamist veenduge, et hõõlterad pöörlevad takistamatult
- Pikendajuhntme kasutamisel jälgige, et juhe oleks lõpuni lahti keritud ja vastaks 16 A voolutugevusele
- **Kinnitage toorik klambriga või muul praktilisel moel kindlale stabiilsele alusele** (tööd käes hoides või vastu keha surudes võib see paigast liikuda)

KASUTAMISE AJAL

- **Hoidke elektritööriista kinni isoleeritud haardepinnast, kuna tera võib puutuda kokku tööriista enda juhtmega** (voolu all oleva juhtme lõikamisel võivad elektritööriista metallosad pingestuda ja anda operaatorile elektrilöögi)
- Vältige toitejuhtme kokkupuutumist seadme pöörlevate osadega; hoidke toitejuhet alati tööriistast eemal, tagapool
- Hoidke sõrmed pöörlevatest teradest eemal

- Seadme elektrilise või mehhaanilise häire korral lülitage seade viivitamatult välja ja eemaldage pistik vooluvõrgust
- Kui toitejuhe saab töötamise ajal kahjustada või see lõigatakse läbi, ärge toitejuhet puutuge, vaid eemaldage koheselt pistik vooluvõrgust
- Kui laastude eemaldusava on ummistunud, lülitage seade välja, veenduge, et kõik selle pöörlevad osad on täielikult seiskunud, tõmmake seadme pistik pistikupesast välja ning eemaldage ummistust põhjustanud laastud

PÄRAST KASUTAMIST

- **Enne seadme käestpanekut oodake, kuni hõõvliiterad on seiskunud** (pöörlevad terad võivad pinda kinni kiilduda, mis võib põhjustada kontrolli kao seadme üle ja tõsiseid vigastusi)

KASUTAMINE

- Hõõvliiterade vahetamine/pööramine ④
Hõõvel on varustatud kahe mitteteritatava lõikeservaga hõõvliiteraga; kui üks lõikeserv muutub nüriks, saab kasutada teist lõikeserva
! lülitage seade välja ja eemaldage pistik pistikupesast
- eemaldage rakised, juhul kui need on külge monteeritud
- võtke hoidikust A välja lehtvõti
- pöörake seade ümber
- keerake lehtvõtmega lahti 3 mutrit B (ärge keerake mutreid välja)
- suruge hõõvliitera puutüki abil teravõllilt maha
- pöörake hõõvliitera ümber ja pange tagasi või paigaldage uus tera
! hõõvliitera soon peab teravõlli liistuga sobima
! hõõvliitera peab mõlemalt poolt ulatuma ühele kaugusele
! jälgige, et lõiketera X serv asetseks alustallaga ühel joonel (selleks asetage korpusele abiks joonlaud, nagu joonisel näidatud)
- keerake 3 mutrit B lehtvõtmega tugevasti kinni
! vahetage/pöörake hõõvliitera õigeaegselt ringi; kasutage üksnes teravaid terasid
! alati vahetage/pöörake ringi mõlemad hõõvliiterad korraga
! ärge püüdke terasid reguleerida teravõlli kruvidest C, mis on seadme valmistamisel eelseadistatud
- Hõõveldussügavuse reguleerimine (0-3 mm) ⑤
- valige soovitud hõõveldussügavus, keerates nuppu D
- juhinduge indikaatorist E
- valige alati väike hõõveldussügavus ning korra hõõveldamist ja reguleerimist, kuni saavutate soovitud sügavuse
- Laastude äratõmbeava ⑥
- valige lüliti G abil sobiv laastude väljastamise suund (vasakule või paremale)
- ühendage tolmuimeja adapteri H abil valitud laastude äratõmbeavaga nagu joonisel näidatud
- laastude äratõmbeava külge võib kinnitada ka tolmukoti J nagu joonisel näidatud
! hõõvliiterade pöörlemise ajal ärge püüdke äratõmbeavast mingeid takistusi eemaldada

- Seisutald K ⑦
- kaitseb töödeldavat eset kahjustuste eest, kui asetate hõõvli hetkeks kõrvale
- liigub hõõveldamisel automaatselt taha
- Seadme kasutamine
- reguleerige välja hõõveldussügavus
- asetage seade töödeldava esemele
! veenduge, et ainult alustalla esiosa toetub töödeldavale esemele, hõõvliiterad ei tohi töödeldava esemega kokku puutuda
- seadme sisselülitamiseks vajutage kõigepealt lülitele L ② (= turvalüliti, mida ei saa lukustada) ning seejärel tõmmake lüliti M ②
! hõõvliiterade kokkupuutel töödeldava esemega peab seade töötama täiskiirusel
- hoidke seadet kõvasti kahe käega ja juhtige seda ühtlase ettenihkega
! töötamise ajal hoidke tööriista kinni korpuse ja käepideme halli värvi osadest ⑧
- töötamise ajal peab seadme alustald toetuma töödeldavale esemele
- soovimatute hõõveldusjälgede vältimiseks ärge kallutage seadet
- hoidke õhutusavad Q ② kinnikatmata
! enne tööriista väljalülitamist tuleb see töödeldavalt esemelt eemaldada
- seadme väljalülitamiseks vabastage lüliti M
- Õnardamine ⑨
- valige soovitud hõõveldussügavus
- valige õnardussügavuse piiraja N abil õnardussügavus
- asetage seade töödeldavale esemele
- alustage hõõveldamist
- maksimaalne õnarduslaius 82 mm
- maksimaalne õnardussügavus 15 mm
- Õnardamisel saavutate parema tulemuse, kui kasutate õnarduslaiuse reguleerimiseks paralleeljuhtikut P ⑩

TÖÖJUHISED

- Servade faasimiseks kasutage eesmises tallas olevaid V-sooni ⑪
- paigutage nuppu D asendisse "0"
- valige ühte kolmest V-soonest
! katsetage tööriista alati algul proovitükki

HOOLDUS/TEENINDUS

- Hoidke seade ja toitejuhe alati puhtad (eriti õhutusavad Q ②)
! enne puhastamist eemaldage seade vooluvõrgust
- Tööriist on hoolikalt valmistatud ja testitud; kui tööriist sellest hoolimata rikki läheb, tuleb see lasta parandada SKILI elektriliste käsitööriistade volitatud remonditöökojas
- toimetage **lahtrimonteerimata** seade koos ostukviitungiga tarnijale või lähimasse SKILI lepinguliselt töökotta (aadressid ja tööriista varuosade joonise leiate aadressil www.skilmasters.com)

KESKKOND

- **Ärge visake kasutuskõlbmatuks muutunud elektrilisi tööriistu, lisatarvikuid ja pakendeid ära koos olmejäätmetega** (üksnes EL liikmesriikidele)
 - vastavalt Euroopa Parlamendi ja nõukogu direktiivile 2012/19/EÜ elektri- ja elektroonikaseadmete jäätmete kohta ning direktiivi nõuete kohaldamisele liikmesriikides tuleb kasutuskõlbmatuks muutunud elektrilised tööriistad koguda eraldi ja keskkonnasäästlikult korduvkasutada või ringlusse võtta
 - seda meenutab Teile sümbol 12

VASTAVUSDEKLARATSIOON C E

- Kinnitame ainuvastutajana, et punktis "Tehnilised andmed" kirjeldatud toode vastab järgmistele standarditele või normdokumentidele: EN 60745, EN 61000, EN 55014 vastavalt direktiivide 2004/108/EÜ, 2006/42/EÜ, 2011/65/EL
- **Tehniline toimik saadaval aadressil:** SKIL Europe BV (PT-SEU/ENG1), 4825 BD Breda, NL

Marijn van der Hoofden Olaf Dijkgraaf
Operations & Engineering Approval Manager

SKIL Europe BV, 4825 BD Breda, NL

23.12.2013

MÜRA/VIBRATSIOON

- Vastavalt kooskõlas normiga EN 60745 läbi viidud mõõtmistele on tööriista helirõhk 91 dB(A) ja helitugevus 102 dB(A) (standardkõrvalekalle: 3 dB), ja vibratsioon 6,9 m/s² (kääe-randme-meetod; mõõtemääramatus K = 1,5 m/s²)
 - Tekkiva vibratsiooni tase on mõõdetud vastavalt standardis EN 60745 kirjeldatud standarditud testile; seda võib kasutada tööriistade võrdlemiseks ja tööriista kasutamisel ettenähtud töödeks esineva vibratsiooni esialgseks hindamiseks
 - tööriista kasutamisel muudeks rakendusteks või teiste/ halvasti hooldatud tarvikute kasutamisel võib vibratsioon märkimisväärselt **suureneda**
 - ajal, kui tööriist on väljalülitatud või on küll sisselülitatud, kuid tegelikult seda ei kasutata, võib vibratsioon märkimisväärselt **väheneda**
- ! enda kaitsmiseks vibratsiooni eest hooldage tööriista ja selle tarvikuid korralikult, hoidke oma käed soojad ja tagage sujuv töökorraldus**

LV

Ēvele

1570

IEVADS

- Šis instruments ir paredzēts kokmateriālu, piemēram, baļķu un dēļu ēvelēšanai; tas ir derīgs arī stūru apdarei un malu gropju veidošanai
- Izlasiet un saglabājiet šo pamācību 3

TEHNISKIE PARAMETRI 1

INSTRUMENTA ELEMENTI 2

- A Nodalījums atslēgas ievietošanai
- B Stipriņošā skrūve
- C Asmeņu bloka skrūves
- D Rokturis ēvelēšanas dziļuma regulēšanai
- E Ēvelēšanas dziļuma indikators
- F Skaidu izvadatvere (kreisā/labā)
- G Skaidu izvadatveres slēdzis
- H Putekļsūcēja adapters
- J Putekļu savācējmaiss
- K Balsts novietošanai
- L Drošības slēdzis
- M Ieslēdzējs
- N Malu gropju dziļuma regulators
- P Paralēlā vadotne
- Q Ventilācijas atveres

DROŠĪBA

VISPĀRĒJIE DARBA DROŠĪBAS NOTEIKUMI

UZMANĪBU! Rūpīgi izlasiet visus drošības noteikumus. Šeit sniegto drošības noteikumu un norādījumu neievērošana var izraisīt aizdegšanos un būt par cēloni elektriskajam triecienam vai nopietnam savainojumam. **Pēc izlasīšanas uzglabājiet šos noteikumus turpmākai izmantošanai.** Turpmākajā izklāstā lietotais apzīmējums "elektroinstruments" attiecas gan uz tikla elektroinstrumentiem (ar elektrokabeli), gan arī uz akumulatora elektroinstrumentiem (bez elektrokabeļa).

1) DROŠĪBA DARBA VIETĀ

- Sekojiet, lai darba vieta būtu tīra un sakārtota.**
Nekārtīgā darba vietā vai sliktā apgaismojumā var viegli notikt nelaimes gadījums.
- Nelietojiet elektroinstrumentu eksplozīvu vai ugunsnedrošu vielu tuvumā un vietās ar paaugstinātu gāzes vai putekļu saturu gaisā.** Darba laikā instruments nedaudz dzirkstejo, un tas var izsaukt viegli degošu putekļu vai tvaiku aizdegšanos.
- Lietojot elektroinstrumentu, neļaujiet nepiederošām personām un jo īpaši bērniem tuvoties darba vietai.** Citu personu klātbūtne var novērst uzmanību, un tā rezultātā jūs varat zaudēt kontroli pār instrumentu.

2) ELEKTRODROŠĪBA

- Elektroinstrumenta kontaktdakšai jābūt piemērotai elektroīkla kontaktligzdai. Kontaktdakšas konstrukciju nedrīkst nekādā veidā mainīt.**

- Nelietojiet kontaktdakšas salāgotājus, ja elektroiinstrumenti caur kabeli tiek savienoti ar aizsargzēmējuma ķēdi. Neizmainītas konstrukcijas kontaktdakša, kas piemērota kontaktligzdai, ļauj samazināt elektriskā trieciena saņemšanas risku.
- b) **Darba laikā nepieskarieties uzņemtiem priekšmetiem, piemēram, caurulēm, radiatoriem, plītiem vai ledusskapjiem.** Pieskaroties uzņemtiem virsmām, pieaug risks saņemt elektrisko triecienu.
- c) **Nelietojiet elektroinstrumentu lietus laikā, neturiet to mitrumā.** Mitrumam iekļūstot instrumentā, pieaug risks saņemt elektrisko triecienu.
- d) **Nenesiet un nepiekariet elektroinstrumentu aiz elektrokabeļa. Neraujiet aiz kabeļa, ja vēlaties atvienot instrumentu no elektroīkla kontaktligzdas. Sargājiet elektrokabeļus no karstuma, eļļas, asām šķautnēm un instrumenta kustīgajām daļām.** Bojāts vai samēzģojies elektrokabeļis var būt par cēloni elektriskajam triecienam.
- e) **Darbinot elektroinstrumentu ārpus telpām, izmantojiet tā pievienošanai vienīgi tādas pagarinātājkaabeļus, kuru lietošana ārpus telpām ir atļauta.** Lietojot elektrokabeļus, kas piemērots darbam ārpus telpām, samazinās risks saņemt elektrisko triecienu.
- f) **Ja elektroinstrumentu tomēr nepieciešams lietot vietās ar paaugstinātu mitrumu, izmantojiet tā pievienošanai noplūdes strāvas aizsargreleju.** Lietojot noplūdes strāvas aizsargreleju, samazinās risks saņemt elektrisko triecienu.
- 3) PERSONISKĀ DROŠĪBA**
- a) **Darba laikā saglabājiet paškontroli un rīkojieties saskaņā ar veselību saprātu. Pārtrauciet darbu, ja jūtaties noguris vai atrodaties alkohola, narkotiku vai medikamentu izraisītā reibumā.** Strādājot ar elektroinstrumentu, pat viens neuzmanības mirklis var būt par cēloni nopietnam savainojumam.
- b) **Izmantojiet individuālos darba aizsardzības līdzekļus un darba laikā vienmēr nēsājiet aizsargbrilles.** Individuālo darba aizsardzības līdzekļu (puteķļu maskas, neslīdošu apavu un aizsargķiveres vai ausu aizsargus) pielietošana atbilstoši elektroinstrumenta tipam un veicamā darba raksturam ļauj izvairīties no savainojumiem.
- c) **Nepielaujiet elektroinstrumenta patvaļīgu ieslēgšanos. Pirms elektroinstrumenta pievienošanas elektroīklam, akumulatora ievietošanas vai izņemšanas, kā arī pirms elektroinstrumenta pārņemšanas pārlicinieties, ka tas ir izslēgts.** Pārņemot elektroinstrumentu, ja pirksts atrodas uz ieslēdzēja, kā arī pievienojot to elektrobarošanas avotam laikā, kad elektroinstrumenti ir ieslēgts, var viegli notikt nelaimes gadījums.
- d) **Pirms instrumenta ieslēgšanas neizmirstiet izņemt no tā regulējošos instrumentus vai skrūvjatslēgas.** Patronatslēga vai skrūvjatslēga, kas instrumenta ieslēgšanas brīdī nav izņemta no tā, var radīt savainojumu.
- e) **Strādājot ar elektroinstrumentu, ieturiet stingru stāju. Darba laikā vienmēr saglabājiet līdzsvaru un centieties nepaslidēt.** Tas atvieglos instrumenta vadību neparedzētās situācijās.
- f) **Izvēlieties darbam piemērotu apģērbu. Darba laikā nenēsājiet brīvi plandošas drēbes un rotaslietas. Netuviniet matus, apģērbu un aizsargcimdus instrumenta kustīgajām daļām.** Vaļīgas drēbes, rotaslietas un gari mati var iekerties instrumenta kustīgajās daļās.
- g) **Ja elektroinstrumenta konstrukcija ļauj tam pievienot ārējo puteķļu uzsūkšanas vai savākšanas/uzkrāšanas ierīci, sekojiet, lai tā tiktu pievienota elektroinstrumentam un pareizi darbotos.** Pielietojot puteķļu uzsūkšanu vai savākšanu/uzkrāšanu, samazinās to kaitīgā ietekme uz strādājošās personas veselību.
- 4) ELEKTROIINSTRUMENTU LIETOŠANA UN APKOPE**
- a) **Nepārslogojiet elektroinstrumentu. Katram darbam izvēlieties piemērotu instrumentu.** Elektroinstrumenti darbosies labāk un drošāk pie nominālās slodzes.
- b) **Nelietojiet elektroinstrumentu, ja ir bojāts tā ieslēdzējs.** Elektroinstrumenti, ko nevar ieslēgt un izslēgt, ir bīstams lietošanai un to nepieciešams remontēt.
- c) **Pirms elektroinstrumenta apkopes, regulēšanas vai darbinstrumenta nomaņas atvienojiet tā kontaktdakšu no barojošā elektroīkla vai izņemiet no tā akumulatoru.** Šādi iespējams samazināt elektroinstrumenta nejaušas ieslēgšanās risku.
- d) **Elektroiinstrumentu, kas netiek darbināts, uzglabājiet piemērotā vietā, kur tas nav sasniedzams bērniem un personām, kuras neprot rīkoties ar instrumentu.** Ja elektroinstrumentu lieto nekompetentas personas, tas var apdraudēt cilvēku veselību.
- e) **Rūpīgi veiciet elektroinstrumenta apkalpošanu. Pārbaudiet, vai kustīgās daļas darbojas bez traucējumiem un nav iespīlētas, vai kāda no daļām nav salauzta vai bojāta, vai katra no tām pareizi funkcionē un pilda tai paredzēto uzdevumu. Nodrošiniet, lai bojātās daļas tiktu savlaicīgi nomainītas vai remontētas pilnvarotā remontu darbnīcā.** Daudzi nelaimes gadījumi notiek tāpēc, ka elektroinstrumenti pirms lietošanas nav pienācīgi apkalpoti.
- f) **Savlaicīgi notīriet un uzasiniet griezošos darbinstrumentus.** Rūpīgi kopti instrumenti, kas apgādāti ar asiem griezējinstrumentiem, ļauj strādāt daudz ražīgāk un ir vieglāk vadāmi.
- g) **Lietojiet vienīgi tādas elektroinstrumentus, papildpiederumus, darbinstrumentus utt., kas paredzēti attiecīgajam pielietojuma veidam. Bez tam jāņem vērā arī konkrētie darba apstākļi un pielietojuma īpatnības.** Elektroinstrumentu lietošana citiem mērķiem, nekā to ir paredzējis ražotājs, ir bīstama un var novest pie neparedzamām sekām.
- 5) APKALPOŠANA**
- a) **Nodrošiniet, lai Instrumenta remontu veiktu kvalificēts personāls, nomaīnai izmantojot oriģinālās rezerves daļas un piederumus.** Tikai tā iespējams panākt instrumenta ilgstošu un nevainojamu darbību bez atteikumiem.

DARBA DROŠĪBAS NOTEIKUMI ĒVELĒM

VISPĀRĒJIE DROŠĪBAS NOTEIKUMI

- Šo instrumentu nedrīkst izmantot personas, kas jaunākas par 16 gadiem
- Darba laikā instrumenta radītā trokšņa līmenis var pārsniegt 85 dB(A); lietojiet ausu aizsargus
- **Neapstrādājiet materiālus, kas satur asbestu** (azbestam piemīt kancerogēnas īpašības)
- Materiāla (piemēram, svinu saturošas krāsas, dažu koka šķirņu, minerālu un metāla) putekļi var būt kaitīgi (saskare ar putekļiem vai to ieelpošana var izraisīt alerģiskas reakcijas un/vai elpošanas ceļu saslimšanas operatoram vai klātesošajiem); **izmantojiet putekļu masku un putekļsūcēju, ja to iespējams pievienot**
- Dažu veidu putekļi ir klasificēti kā kancerogēni (piemēram, ozola vai dižskābarža putekļi), jo īpaši apvienojumā ar koksnes kondicionēšanas piedevām; **izmantojiet putekļu masku un putekļsūcēju, ja to iespējams pievienot**
- Ievērojiet ar putekļu savākšanu saistītos nacionālos noteikumus, kas attiecas uz apstrādājamajiem materiāliem
- SKIL garantē instrumenta nevainojamu darbību tikai tad, ja tiek lietoti pareizi izvēlēti papildpiederumi, kas iegādāti pie SKIL oficiālā izplatītāja
- Neizmantojiet instrumentu, ja tam ir bojāts elektrokabelis; tā nomaīnu drīkst veikt tikai pieredzējis speciālists
- **Pirms instrumenta regulēšanas vai piederumu nomaīna atvienojiet to no barojošā elektrotīkla**

PIRMS DARBA UZSĀKŠANAS

- Vienmēr pārliecinieties, ka spriegums, kas uzrādīts uz instrumenta marķējuma plāksnītes, atbilst padeves spriegumam elektrotīklā (230V vai 240V spriegumam paredzētie instrumenti var darboties arī no 220V elektrotīkla)
- Izvairieties no instrumenta bojājumiem, ko var radīt apstrādājamajā priekšmetā esošās skrūves, naglas vai citi līdzīgi objekti; pirms darba uzsākšanas atbrīvojiet apstrādājamo materiālu no šādiem priekšmetiem
- Pirms instrumenta lietošanas pārliecinieties, ka tā asmeņi neskar tuvumā esošās daļas un var brīvi griezties
- Lietojiet pilnīgi atfītus un drošus pagarinātājkabeļus, kas paredzēti 16 A strāvai
- **Izmantojiet skavas vai citā drošā veidā nostipriniet un atbilstiet detaļu uz stabilas virsmas** (turot detaļu rokās vai pie ķermeņa, tā var būt nestabila, un jūs varat zaudēt kontroli)

DARBA LAIKĀ

- **Turiet instrumentu aiz izolētas satvervirsmas, jo pastāv iespēja, ka grieznis var skart instrumenta kabeli** (pārgriežot spriegumu nesošus vadus, šis spriegums var nonākt uz instrumenta metāla daļām un radīt operatoram triecienu)
- Darba laikā sekojiet, lai elektrokabelis atrastos drošā attālumā no instrumenta kustīgajām daļām un stieptos prom no darba vietas virzienā uz aizmuguri
- Netuviniet pirkstus rotējošajiem asmeņiem
- Elektriska vai mehāniska rakstura kļūmes gadījumā nekavējoties izslēdziet instrumentu un atvienojiet kabeļa kontaktdakšu no elektrotīkla

- Ja darba laikā tiek pārgriezts vai citādi mehāniski bojāts instrumenta elektrokabelis, nepieskarieties tam, bet nekavējoties atvienojiet elektrokabeļa kontaktdakšu no barojošā elektrotīkla
- Ja tiek nosprostota putekļu un skaidu izvadatvere, izslēdziet instrumentu, nogaidiet, līdz visas tā kustīgās daļas pilnīgi apstājas, atvienojiet instrumentu no elektrotīkla un atīriet izvadatveri

PĒC DARBA PABEIGŠANAS

- **Pirms instrumenta novietošanas nogaidiet, līdz apstājas tā asmeņu bloks** (kustīgais asmens var ieķerties atbalsta virsmā, kā rezultātā instruments var kļūt nevadāms un nopietni savainot lietotāju)

DARBS

- **Asmeņu nomaīna/apgriešana** ④
Šī ēvele ir aprīkota ar asmeņiem, kas nav paredzēti atkārtotai asināšanai un kuriem griezējšķautnes atrodas abās pusēs; ja griezējšķautne asmens vienā pusē kļūst neasa, var izmantot griezējšķautni asmens otrā pusē
! izslēdziet instrumentu un atvienojiet to no strāvas kontakligzdas
 - noņemiet no instrumenta vadotnes un turētājus, ja tādi ir nostiprināti
 - izņemiet atslēgu no nodalījuma A
 - apgrieziet instrumentu otrādi
 - ar atslēgas palīdzību atskrūvējiet 3 skrūves B (neizskrūvējiet tās pilnīgi)
 - lietojot koka stieniņi, izbīdiet asmeni no asmeņu bloka
 - apgrieziet asmeni un no jauna iebīdiet to asmeņu blokā vai arī iestipriniet tajā jaunu asmeni**! asmens gropei jāatbilst izcīlnim asmeņu blokā**
! abiem asmens galiem jābūt iebīdītiem asmeņu blokā vienādā attālumā
! nodrošiniet, lai asmens X gals sakristu ar pamatnes malu (izmantojot lineālu kā atduri, piespiediet to plakaniski instrumenta korpusa sānu malai, kā parādīts attēlā)
 - ar atslēgas palīdzību stingri pieskrūvējiet 3 skrūves B**! savlaicīgi nomainiet/apgrieziet asmeņus; lietojiet vienīgi asus asmeņus**
! vienmēr nomainiet/apgrieziet abus asmeņus vienlaicīgi
! nemēģiniet regulēt asmeņu stāvokli ar asmeņu bloka skrūvēm C, jo to stāvoklis jau ir iestādīts ražotājrūpnīcā
- Ēvelēšanas dziļuma regulēšana (0-3 mm) ⑤
 - griežot rokturi D, ieregulējiet vēlamo ēvelēšanas dziļumu
 - ēvelēšanas dziļumu nosakiet atbilstoši indikatora E rādījumiem
 - vienmēr sākumā izvēlieties nelielu ēvelēšanas dziļumu un tad atkārtojiet ēvelēšanu, pakāpeniski palielinot ēvelēšanas dziļumu, līdz tiek sasniegts vēlamais apstrādes dziļums
- Skaidu izvadatvere ⑥
 - ar slēdža G palīdzību izvēlieties vēlamo skaidu izvadatveri (kreisajā vai labajā pusē)
 - pie izvēlētas skaidu izvadatveres pievienojiet putekļsūcēju ar adapteru H, kā attēlots
 - pie izvēlētas skaidu izvadatveres var pievienot arī putekļu maisu J, kā attēlots

- ! ja putekļu un skaidu izvadatvere ir nosprostota, to nekādā gadījumā nedrīkst iztīrīt laikā, kad griežas instrumenta asmeņi
- Balsts novietošanai K ⑦
 - ļauj pasargāt apstrādājamo priekšmetu no bojājumiem, ja uz tā tiek novietots instruments
 - automātiski noliecas atpakaļ, uzsākot ēvelēšanu
- Instrumenta darbināšana
 - ieregulējiet ēvelēšanas dziļumu
 - novietojiet instrumentu uz apstrādājamā priekšmeta
- ! **nodrošiniet, lai uz apstrādājamā priekšmeta atrastos vienīgi instrumenta pamatnes priekšējā daļa, bet asmeņi tam nepieskartos**
- ieslēdziet instrumentu, vispirms nospiežot deblokēšanas pogu L ② (= drošības slēdzis, kas nav fiksējams ieslēgtā stāvoklī) un tad nospiežot ieslēdzēju M ②
- ! **pirms asmeņi pieskaras apstrādājamajam priekšmetam, instrumentam jādarbojas ar pilnu ātrumu**
- stingri turiet instrumentu ar abām rokām un vienmērīgi virziet uz priekšu
- ! **darba laikā vienmēr turiet instrumentu aiz pelēkās krāsas noturvirsmas(ām) ⑧**
- darba laikā nodrošiniet, lai instrumenta pamatne nepārtraukti saskartos ar apstrādājamā priekšmeta virsmu
- lai novērstu nevēlamu virsmas defektu (švīku) veidošanos, darba laikā nenolieciet instrumentu sānu virzienā
- nenosprostojiet instrumenta ventilācijas atveres Q ②
- ! **pirms instrumenta izslēgšanas paceliet to no apstrādājamā priekšmeta virsmas**
- izslēdziet instrumentu, atlaižot ieslēdzēju M
- Malu gropju veidošana ⑨
 - ieregulējiet vēlamo ēvelēšanas dziļumu
 - ieregulējiet vēlamo malu gropes dziļumu, izmantojot malu gropju dziļuma regulatoru N
 - novietojiet instrumentu uz apstrādājamā priekšmeta
 - uzsāciet ēvelēšanu
 - maksimālais malu gropes platums ir 82 mm
 - maksimālais malu gropes dziļums ir 15 mm
- Veidojot malu gropes, labākus rezultātus var panākt, izmantojot garenisko atduri P, kas ļauj regulēt malu gropes platumu ⑩

PRAKTISKI PADOMI

- Lai apstrādātu materiāla malas, izmantojiet ķīļveida gropes, kas atrodas priekšpusē esošajā sliecē ⑪
- iestatiet rokturi D pozīcijā "0"
- izvēlieties vienu no 3 ķīļveida gropēm
- ! **pirms darba vienmēr veiciet apstrādes mēģinājumu uz materiāla atgriezuma**

APKALPOŠANA / APKOPE

- Uzturiet tīru instrumentu un elektrokabeli (īpaši ventilācijas atveres Q ②)
- ! **pirms instrumenta tīrīšanas atvienojiet to no elektrotīkla**

- Ja, neraugoties uz augsto izgatavošanas kvalitāti un rūpīgo pēcražošanas pārbaudi, instruments tomēr sabojājas, tas jānogādā remontam firmas SKIL pilnvarotā elektroinstrumentu remonta darbnīcā
- nogādājiet instrumentu **neizjauktā veidā** kopā ar iegādes dokumentiem tuvākajā tirdzniecības vietā vai firmas SKIL pilnvarotā pēciegādes apkalpošanas un remonta iestādē (adreses un instrumenta apkalpošanas shēma ir sniegta interneta vietnē www.skilmasters.com)

APKĀRTĒJĀS VIDES AIZSARDZĪBA

- Neizmetiet elektroiekārtas, piederumus un iesaiņojuma materiālus sadzīves atkritumos (tikai ES valstīm)
 - saskaņā ar Eiropas Savienības direktīvu 2012/19/ES par nolietotajām elektriskajām un elektroniskajām iekārtām un tās atspoguļojumiem nacionālajā likumdošanā, nolietotās elektroiekārtas ir jāsavāc, jāizjauc un jānogādā atsevišķai pārstrādei apkārtējai videi nekaitīgā veidā
 - īpašs simbols ⑫ atgādina par nepieciešamību izstrādājumus izmantot videi nekaitīgā veidā

ATBILSTĪBAS DEKLARĀCIJA CE

- Mēs ar pilnu atbildību paziņojam, ka sadaļā "Tehniskie parametri" aprakstītais izstrādājums atbilst šādiem standartiem vai normatīvajiem dokumentiem: EN 60745, EN 61000, EN 55014, kā arī direktīvām 2004/108/EK, 2006/42/EK, 2011/65/ES
- Tehniskā dokumentācija no: SKIL Europe BV (PT-SEU/ENG1), 4825 BD Breda, NL

Marijn van der Hoofden Olaf Dijkgraaf
Operations & Engineering Approval Manager




SKIL Europe BV, 4825 BD Breda, NL

23.12.2013

TROKSNIS/VIBRĀCIJA

- Saskaņā ar standartu EN 60745 noteiktais instrumenta radītā trokšņa skaņas spiediena līmenis ir 91 dB(A) un skaņas jaudas līmenis ir 102 dB(A) (pie tipiskās izkliedes 3 dB), un vibrācijas paātrinājums ir 6,9 m/s² (roku-delnu metode; izklīde K = 1,5 m/s²)
- Vibrācijas līmenis ir noteikts, izmantojot standartā EN 60745 paredzēto procedūru; to var izmantot, lai salīdzinātu instrumentus un provizoriski ievērtētu vibrācijas iedarbību, lietojot instrumentu minētajiem mērķiem
 - instrumenta izmantošana citiem mērķiem vai ar citiem vai nepietiekami koptiem piederumiem var ievērojami palielināt kopējo vibrācijas iedarbības pakāpi
 - laika periodi, kad instruments ir izslēgts vai arī ir ieslēgts, taču darbs ar to nenotiek, var ievērojami samazināt kopējo vibrācijas iedarbības pakāpi
- ! **pasargājiet sevi no vibrācijas iedarbības, veicot instrumenta un tā piederumu tehnisko apkopi, novēršot roku atdzišanu un pareizi organizējot darbu**

ĮVADAS

- Šis prietaisas yra skirtas mediniams ruošiniams (pvz., sijoms ar lentoms) obliuoti; jis tinka ir briaunoms nusklembti bei obliuoti užkaitams
- Perskaitykite ir išsaugokite šią naudojimo instrukciją ③

TECHNINIAI DUOMENYS ①

PRIETAISO ELEMENTAI ②

- A Dėklas raktui
- B Tvirtinamasis varžtas
- C Peilių būgno varžtai
- D Oblivavimo gylio regulatoriaus rankena
- E Oblivavimo gylio indikatorius
- F Dulkių nusiurbimo atvamzdžis (kairėje/dešinėje)
- G Dulkių nusiurbimo atvamzdžio jungiklis
- H Dulkių nusiurbimo atvamzdį
- J Dulkių surinkimo maišelis
- K Pastatymo kojėlė
- L Apsauginis jungiklis
- M Įjungimo/išjungimo jungiklis
- N Užkauto gylio robotuvu
- P Lygiagreti atrama
- Q Ventiliacinės angos

SAUGA

BENDROSIOS DARBO SAUGOS INSTRUKCIJOS

⚠ DĖMESIO! Perskaitykite visas šias saugos nuorodas ir reikalavimus. Jei nepaisysite žemiau pateiktų saugos nuorodų ir reikalavimų, gali trenkti elektros smūgis, kilti gaisras ir/arba galite sunkiai susižaloti arba sužaloti kitus asmenis. **Išsaugokite šias saugos nuorodas ir reikalavimus, kad ir ateityje galėtumėte jais pasinaudoti.** Toliau pateiktame tekste vartojama sąvoka “elektrinis įrankis” apibūdina įrankius, maitinamus iš elektros tinklo (su maitinimo laidu), ir akumuliatorinius įrankius (be maitinimo laido).

1) DARBO VIETOS SAUGUMAS

- a) **Darbo vieta turi būti švari ir tvarkinga.** Tinkama ar blogai apšviesta darbo vieta gali tapti nelaimingų atsitikimų priežastimi.
- b) **Nedirbkite tokioje aplinkoje, kur yra degių skysčių, dujų ar dulkių.** Elektriniai įrankiai gali kibirkščiuoti, o nuo kibirkščių dulkės arba susikaupę garai gali užsidegti.
- c) **Dirbdami su elektriniu įrankiu neleiskite šalia būti žiurovams, vaikams ir lankytojams.** Nukreipę dėmesį į kitus asmenis galite nebesuvaldyti prietaiso.

2) ELEKTROSAUGA

- a) **Maitinimo laido kištukas turi atitikti tinklo rozetės tipą.** Kištuko jokių būdu negalima modifikuoti. **Nenaudokite jokių kištuko adapterių su žemintais prietaisais.** Originalūs kištukai, tiksliai tinkantys elektros tinklo rozetei, sumažina elektros smūgio pavojų.

- b) **Venkite kūno kontakto su žemintais paviršiais, tokiais kaip vamzdžiai, šildytuvai, viryklės ar šaldytuvai.** Egzistuoja padidinta elektros smūgio rizika, jei Jūs užkūnas bus žemintas.
 - c) **Saugokite prietaisą nuo lietaus ir drėgmės.** Jei vanduo patenka į elektrinį prietaisą, padidėja elektros smūgio rizika.
 - d) **Nenaudokite maitinimo laido ne pagal paskirtį, t. y. neneškite prietaiso paėmę už laido, nekabinkite prietaiso už laido, netraukite už jo, norėdami išjungti kištuką iš rozetės. Laidą klokite taip, kad jo neveiktų karštis, jis neišsiteptų alyva ir jo nepažeistų aštrios detalės ar judančios prietaiso dalys.** Pažeisti arba susipynę laidai gali tapti elektros smūgio priežastimi.
 - e) **Jei su elektriniu įrankiu dirbate lauke, naudokite tik tokius ilginimo kabelius, kurie tinka lauko darbams.** Naudojant lauko darbams pritaikytus ilginimo kabelius, sumažinamas elektros smūgio pavojus.
 - f) **Jei su elektriniu įrankiu neišvengiamai reikia dirbti drėgnose aplinkoje, naudokite žemimo grandinės pertraukiklį.** Naudojant žemimo grandinės pertraukiklį, sumažėja elektros smūgio pavojus.
- ### 3) ŽMONIŲ SAUGA
- a) **Būkite atidūs, sutelkite dėmesį į tai, ką Jūs darote ir, dirbdami su elektriniu įrankiu, vadovaukitės sveiku protu. Nedirbkite su prietaisu, jei esate pavargę arba vartojote narkotikus, alkoholį ar medikamentus.** Akimirksnio neatidumas naudojant prietaisą gali tapti rimtu sužalojimų priežastimi.
 - b) **Naudokite asmenines apsaugos priemones ir visuomet užsidėkite apsauginius akinius.** Naudojant asmenines apsaugos priemones, pvz., respiratorių ar apsauginę kaukę, neslystančius batus, apsauginį šalną, klausos apsaugos priemones ir kt., rekomenduojamas dirbant su tam tikros rūšies įrankiais, sumažėja rizika susižeisti.
 - c) **Saugokitės, kad neįjungtumėte prietaiso atsitiktinai. Prieš prijungdami elektrinį įrankį prie elektros tinklo ir/arba akumuliatoriaus, prieš pakeldami ar nešdami įsitikinkite, kad jis yra išjungtas.** Jeigu nešdami elektrinį įrankį pirštą laikysite ant jungiklio arba prietaisą įjungsitė į elektros tinklą, kai jungiklis yra įjungtas, gali įvykti nelaimingas atsitikimas.
 - d) **Prieš įjungdami prietaisą pašalinkite reguliavimo įrankius arba veržlių raktus.** Prietaiso besisukančioje dalyje esantis įrankis ar raktas gali tapti sužalojimų priežastimi.
 - e) **Nepervertinkite savo galimybių. Dirbdami atsistokite patikimai ir visada išlaikykite pusiausvyrą.** Patikima stovėseną ir tinkama kūno laikysena leis geriau kontroliuoti prietaisą netikėtose situacijose.
 - f) **Dėvėkite tinkamą aprangą. Nedėvėkite plačių drabužių ir papuošalų. Saugokite plaukus, drabužius ir pirštines nuo besisukančių prietaiso dalių.** Laisvus drabužius, papuošalus bei ilgus plaukus gali įtraukti besisukančios dalys.
 - g) **Jei yra numatyta galimybė prijungti dulkių nusiurbimo ar surinkimo įrenginius, visada įsitikinkite, ar jie yra prijungti ir atseitngai naudojami.** Naudojant dulkių nusiurbimo įrenginius sumažėja kenksmingas dulkių poveikis.

4) RŪPESTINGA ELEKTRINIŲ ĮRANKIŲ PRIEŽIŪRA IR NAUDOJIMAS

- a) **Neperkraukite prietaiso.** Naudokite Jūsų darbiu tinkamą elektrinį įrankį. Su tinkamu elektriniu įrankiu Jūs dirbsite geriau ir saugiau, jei neviršysite nurodyto galingumo.
- b) **Nenaudokite elektrinio įrankio su sugedusiu jungikliu.** Elektrinis įrankis, kurio nebegalima įjungti ar išjungti, yra pavojingas ir jį reikia remontuoti.
- c) **Prieš reguliuodami prietaisą, keisdami darbo įrankius ar prieš valydami prietaisą, iš elektros tinklo lizdo ištraukite kištuką ir/arba išimkite akumuliatorių.** Ši saugumo priemonė apsaugos jus nuo netikėto prietaiso išjungimo.
- d) **Nenaudojamą prietaisą sandėliuokite vaikams ir nemokantiems juo naudotis asmenims neprieinamoje vietoje.** Elektriniai įrankiai yra pavojingi, kai juos naudoja nepatyrę asmenys.
- e) **Rūpestingai prižiūrėkite prietaisą. Tikrinkite, ar besisukančios prietaiso dalys tinkamai veikia ir niekur nekliūva, ar nėra sulūžusių ar šiaip pažeistų dalių, kurios įtakotų prietaiso veikimą.** Prieš vėl naudojant prietaisą pažeistos prietaiso dalys turi būti suremontuotos. Daugelio nelaimingų atsitikimų priežastis yra blogai prižiūrimi elektriniai įrankiai.
- f) **Pjovimo įrankiai turi būti aštrūs ir švarūs.** Rūpestingai prižiūrėti pjovimo įrankiai su aštriomis pjaunamosiomis briaunomis mažiau stringa ir juos yra lengviau valdyti.
- g) **Elektrinį įrankį, papildomą įrangą, darbo įrankius ir t. t. naudokite taip, kaip nurodyta šioje instrukcijoje. Taip pat atsižvelkite į darbo sąlygas bei atliekamo darbo pobūdį.** Naudojant elektrinius įrankius ne pagal jų paskirtį galima sukelti pavojingas situacijas.

5) APTARNAVIMAS

- a) **Prietaisą turi remontuoti tik kvalifikuotas specialistas ir naudoti tik originalias atsargines dalis.** Taip galima garantuoti, jog prietaisas išliks saugus.

SAUGOS NUORODOS DIRBANTIEMS SU OBLIAIS

BENDROJI DALIS

- Šį prietaisą turėtų naudoti tik asmenys, kuriems 16 ir daugiau metų
- Darbo metu triukšmo lygis gali viršyti 85 dB(A); naudoti klausos apsaugos priemonės
- **Draudžiama apdirbti medžiagas, kurių sudėtyje yra asbesto** (asbestas pasižymi vėžį sukeliančiu poveikiu)
- Kai kurių medžiagų, kaip antai dažų, kurių sudėtyje yra švino, kai kurių medžių rūšių medienos, mineralų ir metalo dulksės gali būti kenksmingos (kontaktas su šiomis dulkmėmis arba įkvėptos dulksės gali sukelti operatoriui arba šalia esantiems žmonėms alergines reakcijas ir/arba kvėpavimo sistemos susirgimus); **mūvėkite priešdulkinę puskaukę arba dirbdami naudokite dulkių ištraukimo įrenginį, jei jį galima prijungti**
- Kai kurių rūšių dulksės priskiriamos kancerogeninėms (pvz., ažuolo arba buko medienos dulksės), ypač susimaišiusios su medienos taurinimi naudojamais priedais; **mūvėkite priešdulkinę puskaukę arba dirbdami naudokite dulkių ištraukimo įrenginį, jei jį galima prijungti**

- Vadovaukitės Jūsų šalyje taikomų direktyvų reikalavimais, skirtais medžiagoms, su kuriomis norite dirbti
 - **SKIL** gali garantuoti nepriekaištingą prietaiso veikimą tik tuo atveju, jei naudojama tinkama papildoma įranga ir priedai, kuriuos galite įsigyti įgaliotųjų SKIL atstovų parduotuvėse
 - Prietaisą su pakeistu kabeliu naudoti draudžiama; jį turi pakeisti kvalifikuotas elektrikas
 - **Prieš reguliuojant prietaisą arba keičiant darbo įrankius, ištraukite kištuką iš el. tinklo lizdo**
- #### PRIEŠ EKSPLOATACIJĄ
- Visada patikrinkite, ar elektros tinklo įtampa sutampa su įtampos dydžiu, nurodytu prietaiso vardinėje lentelėje (prietaisus su nurodyta įtampa 230V ir 240V galima jungti į 220V įtampos elektros tinklą)
 - Saugokite, kad nepažeistumėte prietaiso į ruošinyje esančios varžtus, vinis ir pan; prieš pradėdami darbą juos pašalinkite
 - Prieš pradėdami obliuoti įsitinkinkite, kad peilis sukasi laisvai, prie nieko nesiliesdamas
 - Naudodami ilginamuosius kabelius atkreipkite dėmesį į tai, kad kabelis būtų iki galo išvyniotas ir būtų pritaikytas 16 A elektros srovei
 - **Dirbinį prie stabilaus pagrindo pritvirtinkite spaustuvais ar kitomis tinkamomis priemonėmis** (rankoje laikomas ar į kūną atremtas dirbinyje yra nestabilus ir galite nesuvaldyti jo arba įrankio)

EKSPLOATACIJA

- **Elektrinį prietaisą laikykite už izoliuotų rankenų, nes pjoviklis gali kliudyti paties prietaiso maitinimo laidą** (įpjovus laidą, kuriuo teka elektros srovė, atvirose metalinėse elektrinio prietaiso dalyse atsiranda įtampa ir naudotojas gauna elektros smūgį)
 - Pasirūpinkite, kad maitinimo kabelis nebūtų arti besisukančių prietaiso dalių; klokite jį kuo toliau už prietaiso
 - Jokių būdu nelieskite besisukančio peilio rankomis
 - Atsiradus mechaninio ar elektrinio pobūdžio trukdžiams, tuojau pat išjunkite prietaisą ir ištraukite kištuką iš elektros tinklo lizdo
 - Jei dirbant bus pažeistas ar nutrauktas kabelis, būtina noliečiant kabelio tuojau pat ištraukti kištuką iš elektros tinklo lizdo
 - Jeigu drožlės užkemsą drožlių išmetimo atvamzdį, pirmiausia išjunkite prietaisą, įsitinkinkite, kad visos besisukančios dalys visiškai sustojo, ištraukite kištuką iš el. tinklo lizdo, ir tik po to išvalykite užsikimšusį atvamzdį
- #### PO EKSPLOATACIJOS
- **Prieš padėdami prietaisą palaukite, kol peilių velenas visiškai sustos** (besisukantis peilis gali užkabinti paviršius, ant kurio jį padedate ir prietaisas gali tapti nevaldomas bei sunkiai jus sužaloti)

NAUDOJIMAS

- Peilio pakeitimas arba apvertimas ④
Šis obliuis turi dvipuolį negalandamą peilį; kai viena jo pusė atšimpa, obliuokite kita pusė
! **išjunkite prietaisą ir ištraukite kištuką iš lizdo**
 - nuimkite gylio ribotuvus bei atramas, jei jie yra sumontuoti
 - išimkite iš dėklo A raktą

- apverskite prietaisą
- raktu atsukite 3 varžtus B (varžtų neištraukite)
- medinių kaiščių išstumkite peilį iš peilių būgno
- apskukite peilį ir vėl įdėkite jį į būgną arba paimkite naują peilį
- ! **peilio griovelis turi tiksliai atitikti peilių būgno briauną**
- ! **abu peilio galai turi išsikišti vienodai**
- ! **atkreipkite dėmesį, kad peilio ašmenų X galas tiksliai sutaptų su pado kraštu (tai galite patikrinti prie korpuso krašto kaip atramą pridėję liniuotę, kaip parodyta paveiksle)**
- tvirtai užveržkite 3 varžtus B raktu
- ! **laiku pakeiskite arba apverskite peilius; dirbkite tik su aštriais peiliais**
- ! **visuomet keiskite arba apverskite abu peilius tuo pat metu**
- ! **nemėginkite reguliuoti peilių būgno varžtais C, kurie yra sureguliuoti gamykloje**
- **Obliavimo gylio reguliavimas (0-3 mm) ⑤**
 - sukdam rankena D nustatykite norimą obliavimo gylį
 - reguliuodami gylį orientuokites pagal indikatorius liniją E
 - visuomet pasirinkite mažesnę obliavimo gylį ir norimą sluoksnį nuobliuokite per keletą kartų, pakaitomis obliuodami ir reguliuodami įpjaunamos drožlės storį, kol pasieksite norimą obliavimo gylį
- **Dulkių nusiurbimo atvamzdis ⑥**
 - su jungikliu G pasirinkite norimą dulkių nusiurbimo atvamzdžio pusę (kairę ar dešinę)
 - prijunkite dulkių siurbį su adapteriu H prie pasirinkto dulkių nusiurbimo atvamzdžio kaip yra parodyta iliustracijoje
 - taip pat galima prijungti dulkių maišėlį J prie pasirinkto dulkių nusiurbimo atvamzdžio kaip yra parodyta iliustracijoje
- ! **nemėginkite pašalinti kokią nors kliūtį iš dulkių nusiurbimo atvamzdžio, kol peiliai sukasi**
- **Pastatymo kojelė K ⑦**
 - apsaugo ruošinio paviršių nuo pažeidimo, kuomet ant jo padedame prietaisą
 - savaime užsilenkia atgal, kuomet obliuojate
- **Prietaiso naudojimas**
 - nustatykite obliavimo gylį
 - uždėkite prietaisą ant ruošinio
 - ! **prieš įjungdami prietaisą įsitinkinkite, kad priekinė pado dalis priglundusi prie ruošinio ir peiliai jos neliečia**
 - įjunkite prietaisą pirmiausiai nuspausdami apsauginį mygtuką L ② (= apsauginė jungiklio blokuotė, kurios užfiksuoti negalima), o paskui paspausdami jungiklį M ②
 - ! **prieš peiliams paliečiant ruošinį, peilių būgnas turi įsibėgėti iki didžiausių sūkių**
 - tvirtai laikykite prietaisą abiem rankomis ir tolygiai stumkite jį pirmyn
 - ! **dirbdami laikykite prietaisą už pilkos spalvos suėmimo vietas(-ų) ⑧**
 - obliuodami stenkitės, kad prietaisas priglustų prie ruošinio visu atraminio pado paviršiumi
 - nevarykite prietaiso, kaip ruošinio paviršiuje liks nepageidaujamos rivės

- ventiliacines angas Q ② laikykite neuždengtas
- ! **prieš išjungdami prietaisą atitraukite jį nuo ruošinio**
- išjunkite prietaisą, atleisdami jungiklį M
- **Užkaičių obliavimas ⑨**
 - nustatykite pageidaujama obliavimo gylį
 - nustatykite užkaičio gylį užkaičio gylbio robotuvu N
 - uždėkite prietaisą ant ruošinio
 - pradėkite obliuoti
 - didžiausias užkaičio plotis yra 82 mm
 - didžiausias užkaičio gylis yra 15 mm
- **Obliuodami užkaičą gausite geresnius rezultatus, jei naudosite šoninę atramą P, skirtą užkaičio pločiui nustatyti ⑩**

NAUDOJIMO PATARIMAI

- Briaunų nuėmimui naudokite priekiniame pade padarytus V griovelius ⑪
 - sukdam rankena D nustatykite į "0" padėtį
 - pasirinkite vieną iš 3 V griovelių
- ! **visuomet pirmiausia išbandykite pjovimo greitį, įjudami bandomąjį ruošinio gabalėlį**

PRIEŽIŪRA / SERVISAS

- Periodiškai valykite prietaisą ir kabelį (ypač ventiliacines angas Q ②)
- ! **prieš valydami ištraukite kištuką iš elektros tinklo lizdo**
- Jeigu prietaisas, nepaisant gamykloje atliekamo kruopštaus gamybos ir kontrolės proceso, vis dėlto sugestų, jo remontas turi būti atliekamas įgaliotose SKIL elektrinių įrankių remonto dirbtuvėse
 - **neišardytą** prietaisą kartu su pirkimo čekiu siųskite tiekėjui arba į artimiausią SKIL firmos įgaliotą elektros prietaisų techninio aptarnavimo tarnybą (adresus bei atsarginių dalių brėžinius rasite www.skilmasters.com)

APLINKOSAUGA

- **Nemeskite elektrinių įrankių, papildomos įrangos ir pakuočės į buitinių atliekų kontenerius** (galioja tik ES valstybėms)
 - pagal ES Direktyvą 2012/19/EG dėl naudotų elektrinių ir elektroninių prietaisų atliekų utilizavimo ir pagal vietinius valstybės įstatymus atitarnavę elektriniai įrankiai turi būti surenkami atskirai ir gabenami į antrinių žaliavų tvarkymo vietas, kur jie turi būti sunaikinami ar perdirbami aplinkai nekenksmingu būdu
 - apie tai primins simbolis ⑫, kai reikės išmesti atitarnavusį prietaisą

ATITIKTIES DEKLARACIJA C Ć

- Atsakingai pareiškiamo, kad skyriuje "Techniniai duomenys" aprašytas gaminytis atitinka žemiau pateiktus standartus ir norminius dokumentus: EN 60745, EN 61000, EN 55014 pagal direktyvą 2004/108/EB, 2006/42/EB, 2011/65/ES reikalavimus

- **Техничнe была laikoma:** SKIL Europe BV (PT-SEU/ENG1), 4825 BD Breda, NL

Marijn van der Hoofden
Operations & Engineering

Olaf Dijkgraaf
Approval Manager

SKIL Europe BV, 4825 BD Breda, NL

23.12.2013

TRIUKŠMINGUMAS/VIBRACIJA

- Šio prietaiso triukšmingumas buvo išmatuotas pagal EN 60745 reikalavimus; keliamo triukšmo garso slėgio lygis siekia 91 dB(A) ir akustinio galingumo lygis 102 dB(A) (standartinis nuokrypis: 3 dB), ir vibracijos pagreitis rankos plaštakos srityje tipiniu atveju yra mažesnis, kaip $6,9 \text{ m/s}^2$ (paklaida $K = 1,5 \text{ m/s}^2$)
- Vibracijos sklaidos lygis išmatuotas pagal standarte EN 60745 išdėstytus standartizuoto bandymo reikalavimus; ši vertė gali būti naudojama vienam įrankiui palyginti su kitu bei išankstiniam vibracijos poveikiui įvertinti, kai įrankis naudojamas paminėtais būdais
 - naudojant įrankį kitokiais būdais arba su kitokiais bei netinkamai prižiūrimais priedais, gali žymiai **padidėti** poveikio lygis
 - laikotarpiams, kai įrankis išjungtas arba yra įjungtas, tačiau juo nedirbama, gali žymiai **sumažėti** poveikio lygis
- ! **apsisaugokite nuo vibracijos poveikio prižiūrėdami įrankį ir jo priedus, laikydami rankas šiltai ir derindami darbo ciklus su pertraukėlėmis**

МК

Струг

1570

УПАТСТВО

- Алатот е наменат за стругање материјали од дрво како на пример даски и греди; тој исто така е погоден за засекување рабови и правење жлебови
- Внимателно прочитајте го и зачувајте го ова упатство за ракување ③

ТЕХНИЧКИ ПОДАТОЦИ ①

ЕЛЕМЕНТИ НА АЛАТОТ ②

- A Лежиште за клуч
- B Сигурносна завртка
- C Навртки на сечакот
- D Копче за одредување на длабочината на стружење
- E Индикатор за длабочината на стружењето
- F Излез за деланките (одлево/оддесно)
- G Прекинувач за дебелина на деланките
- H Адаптер за правосмукалката
- J Кеса за прашина
- K Потпора
- L Сигурносен прекинувач
- M Прекинувач за вклучување/исклучување

N Нагодувач за одредување длабочина на жлеб

P Водилка

Q Отвори за вентилација

БЕЗБЕДНОСТ

ОПШТИ УПАТСТВА ЗА БЕЗБЕДНОСТ

⚠ ПРЕДУПРЕДУВАЊЕ! Сите упатства мора да се прочитаат. Непочитување на долу наведените упатства може да предизвика струен удар, пожар и/или тешки повреди. **Чувајте ги сите предупредувања и напатствија за во иднина.** Поимот "електричен алат", кој се користи во понатамошниот текст, се однесува на вашиот електричен алат (со приклучен кабел) и на електрични алати со погон на батерии (без приклучен кабел).

1) БЕЗБЕДНОСТ НА РАБОТНОТО МЕСТО

- Одржувајте го вашето работно место чисто и уредно.** Неуреден или темен работен простор може да предизвикаат незгоди.
- Немојте да работите со уредот во средина во која има опасност од експлозија, во која има запаливи течности, гасови и прашина.** Електричните алати произведуваат искри кои можат да запалат прашина или пареа.
- За време на употребата на електричниот алат, децата и останатите лица држете ги подалеку од местото каде работите.** Одвркање, би можеле да изгубите контрола врз уредот.

2) ЕЛЕКТРИЧНА СИГУРНОСТ

- Утикач мора да одговара на приклучокот. Никане не смее да се прават измени на штекерот. Не користете адаптерски штекер заедно со уредот кој е заштитно заземјен.** Не променети штекери и соодветни приклучоци го намалуваат ризикот од електричен удар.
- Избегнувајте допир на телото со заземјени површини, како што се цевки, радијатори, рерни и фрижидери.** Постои зголемена опасност од струен удар, доколку Вашето тело е заземјено.
- Чувајте го уредот подалеку од дожд и влага.** Продирањето на вода во електричниот уред ја зголемува опасноста од струен удар.
- Не злоупотребувајте го приклучниот кабел за носење, бесење на уредот или за извлекување на штекерот од мрежниот приклучок.** Чувајте го кабелот подалеку од топлина, масло, остри рабови или деловите на апаратот кои се движат. Оштетени или заплеткани кабли ја зголемуваат опасноста од струен удар.
- Кога го употребувате полначот надвор, користете продолжен кабел кој е соодветен за употреба на отворен простор.** Примената на продолжен кабел соодветен за работа на отворен простор ја намалува опасноста од струен удар.
- Доколку не може да се избегне работа со електричниот алат во влажна средина, користете прекинувач за струјна заштита при технички проблеми.** Употребата на прекинувачот за струјна заштита при технички проблеми го намалува ризикот од електричен удар.

3) БЕЗБЕДНОСТ НА ЛУЃЕ

- a) **Бидете внимателни, внимавајте што правите и постапувајте внимателно додека работите со електричниот алат. Не работете со уредот доколку сте уморни или под дејство на дрога, алкохол или лекови.** Еден момент на невнимание при употребата може да доведе до сериозни повреди.
- b) **Носете ја личната заштитна опрема и секогаш носете заштитни очила.** Носењето на личната заштитна опрема, како што е маската за прашина, безбедносната облека која не се лизга, заштитен шлем или штитник за слух, зависно од видот и примената на електричниот алат, ја намалува опасноста од повреда.
- c) **Избегнувајте невнимателно вклучување за време на работата. Осигурајте се прекинувачот да биде во “OFF” позиција пред да го ставите штекерот во приклучокот.** Доколку го носите електричниот алат со прстот на прекинувачот или го приклучувате апаратот кој е приклучен со напојување на струја, може да предизвикате незгоди.
- d) **Пред вклучување на уредот, тргнете ги алатите за подесување или клучот за навртување.** Алатот или клучот кој се наоѓа во вртливиот дел на уредот, може да предизвика незгода.
- e) **Не ги преценувајте своите способности. Завземете сигурен и стабилан став и во секој момент одржувајте рамнотежа.** На тој начин можете подобро да го контролирате уредот во неочекувани ситуации.
- f) **Носете соодветна облека. Не носете широка облека или накит. Носата, облената и ракавиците држете ги подалеку од деловите кои се движат.** Комотната облека, накитот или долгата коса може да бидат фатени во деловите кои се движат.
- g) **Доколку може да се монтираат направи за вшмукување и фаќање прашина, проверете дали се вклучени и дали можат исправно да се користат.** Примената на овие направи ја намалува опасноста од прашината.
- 4) **ВНИМАТЕЛНА УПОТРЕБА И РАКУВАЊЕ СО ЕЛЕКТРИЧНИТЕ АЛАТИ**
- a) **Не го преоптеретувајте уредот. При вашата работа користете го предвидениот електричен алат за таа употреба.** Со соодветниот електричен алат ќе работите подобро и посигурно во наведената функционална област.
- b) **Не користете електричен алат чиј прекинувач е неисправен.** Електричниот алат кој повеќе не може да се вклучува и исклучува е опасен и мора да се поправи.
- c) **Извлечете го штекерот од приклучокот пред извршување на било какви подесувања на апаратот, замена на приборот или складирање.** Со овие мерки на внимателност ќе се избегне невнимателното вклучување на уредот.
- d) **Тргнете го електричниот алат кој не го користите од допирот на децата. Не допуштајте работа со уредот на лица кои не се запознајте со него или кои го немаат прочитано ова упатство.**

Електричните алати се опасни доколку со нив работат неискусни лица.

- e) **Одржувајте го уредот со внимание. Имајте контрола околу тоа дали движечките делови на уредот работат беспрекорно и дали не се заглавени, дали деловите се скршени или оштетени до таа мерна што не може да се обезбеди функционирање на уредот. Пред примената, овие оштетени делови треба да се поправат.** Причина за многу незгоди е лошо одржуваниот електричен алат.
- f) **Алатите за сечење одржувајте ги остри и чисти.** Внимателно одржуваните алати за сечење со остри отчрпи помалку ќе се заглавуваат и со нив работата ќе биде полесна.
- g) **Електричниот алат, прибор, работни алати итн., треба да ги користите според овие упатства, и на начин кој е опишан за соодветниот тип на уред. При тоа, земете ги предвид работните услови и работата која се извршува.** Употребата на електричните алати за други цели кои не се предвидени, може да предизвика опасни ситуации.
- 5) **СЕРВИСИРАЊЕ**
- a) **Поправната на Вашиот уред препуштете им ја само на обучен, стручен кадар на овластен сервисер, и само со оригиналните резервни делови.** На тој начин ќе се обезбеди уредот да остане со зачувана безбедност.

УПАТСТВО ЗА БЕЗБЕДНА РАБОТА СО СТРУГОВИ

ОПШТИ

- Овој алат не треба да го користат лица под 16 години
- Нивото на бучава додека работите може да изнесува повеќе од 85 dB(A); носете заштита за ушите
- **Не обработувајте никаков материјал кој содржи азбест** (азбестот важи за предизвикувач на рак)
- Прашината од материјали како боја која содржи олово, некои видови дрво, минерали и метали, може да биде штетна за здравјето (контактот со прашина или нејзиното вдишување може да шредизвика алергии и/или болести на дишните органи за оној кој работи со алатот или луѓето во близина); **носете масна за прашина и работете со правосмукалки доколку можете да ги поврзете**
- Некои видови на прашина се канцерогени (како на пример прашина од даб или бука), особено заедно со адитиви за одржување на дрвото; **носете масна за прашина и работете со правосмукалки доколку можете да ги поврзете**
- Следете ги процедурите на вашата земја за прашина која се јавува како резултат од материјалите со кои работите
- SKIL може да признае гаранција само доколку е користен соодветен прибор кој може да се набаво во сите SKIL продавници
- Никогаш не користете алат ако кабелот е оштетен; замената на кабелот мора да ја изврши стручно лице
- **Обезбедете се алатот да е исклучен од струја пред да вршите било какво подесување или замена на приборот**

ПРЕД УПОТРЕБА

- Секогаш проверувајте напонот да е ист со оној кој е назначен на плочката на алатот (алатите за напон од 230V или 240V исто така може да се поврзат и на напон од 220V)
- Избегнувајте оштетувања од штрафови, шајки и други предмети во местото наде работите; тргнете ги пред да почнете со работа
- Пред употреба на алатот проверете дали ножевите не се допираат никаде
- Продолжениот кабел кој го користите, мора да биде сосема одмотан и безбеден, со капацитет од 16 A
- **Користете стегачи или друг практичен начин за да го обезбедите и потпрете парчето за работа на стабилна платформа** (парчето за работа е нестабилно ако го држите парчето со рака или потпрено на телото со што може да ја загубите контролата)

ВО ТЕКОТ НА УПОТРЕБАТА

- **Држете го алатот под напон за изолираните површини на држење бидејќи сечивото може да го пресече кабелот** (ако се пресече жица под напон, металните делови на алатот се исто така под напон и може да предизвикаат електричен шок за работникот)
- Кабелот секогаш држете го подалеку од деловите на алатот кои се движат; кабелот држете го на задната страна, на страна од алатот
- Прстите држете ги подалеку од ротирачките ножеви
- Во случај да дојде до електричен или механички дфент, веднаш исклучете го алатот и исклучете го од приклучокот
- Ако кабелот се оштети или пресече за време на работата, веднаш исклучете го и не го допирајте
- Ако дојде до заглавување на некое парченце дрво во чип аутлетот, исклучете го моторот, проверете дали сите подвижни делови се во мирување, исклучете го приклучникот и отстранете го заглавеното парченце

ПО УПОТРЕБА

- **Причакајте делот за сечење да сопре пред да го одложите алатот** (отворениот нож може да ја зафати површината и да доведе до губење на контролата и сериозна повреда)

УПОТРЕБА

- Менување/обратно местење на ножевите ④
Овој струг е опремен со издржливи ножеви со острици од двете страни, така што кога една страна ќе се истопи, може да се употреби другата страна
! исклучете го алатот и извадете го од приклучокот
 - отстранете ги уредите за водење, ако се вградени
 - земете го клучот за одвртување од лежиштето A
 - свртете го алатот наопаку
 - олабавете 3 навртки B со клучот (не ги вадете навртките)
 - извадете го ножот од блокот за сечење со парче дрво
 - вратете го ножот во блокот за сечење во обратна положба, или употребете нов нож**! жлебот во ножот треба да се совпаѓа со исфрлениот дел во блокот за сечење**

! и двата краја на ножот треба да бидат еднакво исфрлени

! проверете дали крајот на ножот X одговара на работ на стапалото (поставете линеар рамно наспроти нулиштето како што е покажано и користете го како сопирачка)

- затегнете 3 навртки B со клучот

! променете/заменете ги ножевите на време; користете само остри ножеви

! секогаш сменете/заменете ги ножевите во исто време

! не се обидувајте да ги нагодите ножевите со навртките C од делот за сечење, коишто претходно се нагодени при производството

- Нагодување на длабочината на стружење (0-3 mm) ⑤

- свртете го копчето D да ја одберете саканата длабочина

- користете индикатор E како показател

- секогаш одберете мала длабочина за стругање и повторете го стружењето и процесот на нагодување се додека не се постигне саканата длабочина

- Излез за деланки ⑥

- изберете ја саканата страна за излез на деланките (одлево или оддесно) со прекинувачот G

- поврзете ја правосмукалата со адаптер H за избраниот излез за деланките како што е прикажано на сликата

- може да ја приклучите кесата за прашина J со избраниот излез за деланки како што е прикажано

! не обидувајте за да ги отстранувате препрени нај излезот за деланките кога ротираат сечивата

- Сигурносна потпора K ⑦

- ја заштитува работната површина од оштетување додека алатот не е во употреба

- автоматски се превртува назад за време на стружењето

- Работа со алатот

- нагодете ја длабочината на стружење

- поставете го алатот на работната површина

! проверете дали само предниот дел лежи на работната површина, а ножевите не ја допираат

- вклучете го алатот со притискање на копчето L ② (= сигурносно копче кое не може да се заклучи) и потоа со повлекување на прекинувачот M ②

! пред ножевите да ја допрат работната површина, алатот треба да работи со полна брзина

- цврсто држете го алатот со двете раце и водете го напред со постојано притискање

! додека работите, секогаш држете го алатот за местото (местата) кое (кои) се означени со сива боја ⑧

- користете го алатот со основата поставена на површината што се обработува

- не го наведнувајте алатот со цел да избегнете траги од несакано стружење

- отворите за ладење Q ② држете ги отворени

! уредот треба да се подигне од работната површина пред тој да биде исклучен

- исклучете го алатот со ослободување на прекинувачот M

- Стружење жлебови ⑨
 - одберете ја саканата длабочина на стружење
 - одберете ја длабочината на жлебот со употреба на нагудувачот за одредување длабочина на жлеб N
 - поставете го алатот на работната површина
 - почнете со стружењето
 - максимална широчина на жлебот 82 мм
 - максимална длабочина на жлебот 15 мм
- При стружење на жлебови ќе постигнете подобри резултати ако користите водилка P за да ја одредите широчината на жлебот ⑩

СОВЕТИ ЗА ПРИМЕНА

- Користете V-жлеба на предната страна за заоблување рабови ⑪
 - поставете го регулаторот D на позиција “0”
 - изберете еден од 3 V-жлеба
- ! **сеногаш прво испробајте на парче стар материјал**

ОДРЖУВАЊЕ/СЕРВИСИРАЊЕ

- Алатот и кабелот сеногаш да се одржуваат чисти (особено отворите за ладење Q ②)
 - ! **пред чистење извадете го алатот од приклучокот**
- Доколку алатот и покрај внимателното работење и контрола некогаш откаже, поправката мора да ја изврши некој овластен SKIL сервис за електрични алати
 - во случај на примедба, испратете го алатот **нерасклопен**, заедно со сметкопотврдата, до вашиот продавач или најблискиот SKIL сервис (адресите се наведени на www.skilmasters.com)

ЗАШТИТА НА ЖИВОТНАТА СРЕДИНА

- **Не се ослободувајте од електрични алати, уреди или амбалажа преку нивно фрлање во домашното губре** (само за земјите на ЕУ)
 - според Европската Директива 2012/19/ЕС за ослободување од електрична и електронска опрема и нејзина имплементација во согласност со националните закони, електричните алати кои го достигнале крајот на својот животен век мора да бидат собрани посебно и да бидат вратени во соодветен објект за рециклирање
 - симболот ⑫ ќе ве потсетува на ова кога ќе дојде време алатот да го фрлите

ДЕКЛАРАЦИЈА ЗА УСОГЛАСЕНОСТ CE

- Со целосна одговорност изјавуваме дека производот опишан кај “Технички податоци” е усогласен со следните стандарди или документи за стандардизација: EN 60745, EN 61000, EN 55014 во согласност со одредбите во директивите 2004/108/EG, 2006/42/EG, 2011/65/EU

- **Техничко досије во:** SKIL Europe BV (PT-SEU/ENG1), 4825 BD Breda, NL

Marijn van der Hoofden
Operations & Engineering

Olaf Dijkgraaf
Approval Manager

SKIL Europe BV, 4825 BD Breda, NL

23.12.2013

БУЧАВА/ВИБРАЦИИ

- Мерено во согласност со EN 60745 нивото на звучен притисок е 91 dB(A) а нивото на звучна моќност 102 dB(A) (стандардно отстапување: 3 dB), и вибрација 6,9 м/с² (hand-arm метода; несигурност K = 1.5 м/с²)
- Нивото на емитурање на вибрации кое е наведено на задниот дел на ова упатство е измерено во согласност со стандардизираниот тест даден во EN 60745; може да се користи за да се спореди еден алат со друг, и како првична оценка за изложеноста на вибрации кога се користи алатот за споменатите примени
 - користењето на алатот за разни примени, или со различни или неправилно чувани делови, може да доведе до значајно **зголемување** на нивото на изложеност
 - кога алатот е исклучен или кога алатот е вклучен но не врши некаква работа, може да дојде до значително **намалување** на нивото а изложеност
- ! **заштитете се од ефектите на вибрациите преку одржување на алатот и неговите делови, одржување на топлината во вашите раце, и организирање на вашата работа**

AL

Zdrukthi

1570

HYRJE

- Kjo vegëll është e projektuar për zdrukthimin e materialeve të drurit si binarë ose dërrasa; po ashtu është e përshtatshme për hapjen e kanaleve dhe kllapave anësore
- Lexoni dhe ruani këtë manual të përdorimit ③

TË DHËNAT TEKNIKE ①

ELEMENTET E PAJISJES ②

- A** Vendi i ruajtjes së çelësit
B Buloni i sigurisë
C Vidat e bllokut të prerjes
D Doreza për caktimin e thellësisë së zdrukthimit
E Treguesi i thellësisë së zdrukthimit
F Dalja e ashklave (majtas/djathtas)
G Çelësi i daljes së ashklave
H Përshtatësi i fshesës me korrent
J Qesja e pluhurave
K Mbështetësja për pushim
L Çelësi i sigurisë
M Çelësi i ndezjes/fikjes

- N Rregullimi i thellësisë së kllapave anësore
- P Rregullatori paralel
- Q Të çarar e ajrosjes

SIGURIA

UDHËZIMET E PËRGJITHSHME PËR SIGURINË

⚠ PARALAJMËRIM! Lexoni të gjitha paralajmërimet e sigurisë dhe të gjitha udhëzimet. Mosrespektimi i paralajmërimeve dhe udhëzimeve mund të rezultojë në goditje elektrike, zjarr dhe/ose dëmtime të rënda. **Ruani të gjitha paralajmërimet dhe udhëzimet për referencë në të ardhmen.** Termi "pajisje elektrike" në paralajmërimi i referohet pajisjes elektrike që përdoret nga prizat (me kablo) ose pajisjes elektrike me bateri (pa kablo).

1) SIGURIA E ZONËS SË PUNËS

- a) **Mbajeni zonën e punës të pastër dhe të ndriçuar mirë.** Zonat e rregullta ose të errëta janë një ftesë për aksidente.
- b) **Mos i çrregulloni pajisjet elektrike në situata me mundësi shpërthimi, si në prani të lëngjeve, gazeve ose pluhurave të djegshëm.** Pajisjet elektrike shkaktojnë shkëndija që mund të ndezin pluhurat ose avujt.
- c) **Mbajini fëmijët dhe personat e tjerë larg gjatë përdorimit të veglës së punës.** Tërheqja e vëmendjes mund të shkaktojë humbjen e kontrollit.

2) SIGURIA ELEKTRIKE

- a) **Spinat e veglës së punës duhet të përputhen me prizën. Mos modifikoni kurrë spinën në asnjë mënyrë. Mos përdorni asnjë spinë përshtatëse me veglat e punës me tokëzim.** Spinat e pamodifikuara dhe prizat përshtatëse do të zvogëlojnë rrezikun e goditjes elektrike.
- b) **Shmangni kontaktin trupor me sipërfaqe të tokëzuara si tuba, radiatorë, soba dhe frigoriferë.** Ka një rrezik më të madh të goditjeve elektrike nëse trupi është i tokëzuar.
- c) **Mos ekspozoni veglat e punës në shi ose në kushte me lagështi.** Uji që hyn në veglën e punës do të rritë rrezikun e goditjes elektrike.
- d) **Mos abuzoni me kordonin. Mos e përdorni kurrë kordonin për transportin, tërheqjen ose heqjen e spinës së veglës së punës.** Mbajeni kordonin larg nga nxehtësia, vaji, anët e mprehta ose pjesët që lëvizin. Kordonët e dëmtuar ose e bllokuar rrisin rrezikun e goditjes elektrike.
- e) **Kur përdorni një vegël pune në mjedis të jashtëm, përdorni një kordon zgjatues të përshtatshëm për përdorim në mjedis të jashtëm.** Përdorimi i një kordoni të përshtatshëm për përdorime në mjedis të jashtëm zvogëlon rrezikun e goditjes elektrike.
- f) **Nëse përdorni i veglës së punës në një vend me lagështi është i pashmangshëm, përdorni një automat çarku me shkarkesë me tokëzim.** Përdorimi i një automati me shkarkesë me tokëzim zvogëlon rrezikun e goditjes elektrike.

3) SIGURIA PERSONALE

- a) **Qëndroni në gatishmëri, shikoni se çfarë po bëni dhe përdorni gjykimin kur përdorni një vegël pune. Mos e përdorni një vegël pune kur jeni i lodhur ose nën ndikimin e ilaçeve, alkoolit ose mjekimit.** Një

moment humbje e vëmendjes gjatë përdorimit të veglave të punës mund të shkaktojë dëmtime të rënda personale.

- b) **Përdorni pajisje personale mbrojtëse. Mbani gjithmonë pajisje për mbrojtjen e syve.** Pajisjet mbrojtëse si maska kundër pluhurit, këpucët që nuk rrëshqasin, kaskat ose pajisjet për mbrojtjen e veshëve për kushtet përkatëse do të zvogëlojnë dëmtimet personale.
 - c) **Parandaloni ndezjen e rastësishme. Sigurohuni që çelësi është në pozicionin fikur para se të lidhni burimin e energjisë dhe/ose baterinë, para se të merrni ose të transportoni pajisjen.** Transportimi i veglave të punës me gishtin në çelës ose aktivizimi i veglave të punës që kanë çelësin të ndezur është një ftesë për aksidente.
 - d) **Hiqni çdo çelës ose çelës përshtatës para ndezjes së veglës së punës.** Një çelës i lënë i lidhur me një pjesë rrotulluese të veglës së punës mund të shkaktojë dëmtime personale.
 - e) **Mos u zgjasni. Mbani një vendosje të mirë të këmbëve dhe një ekuilibër të mirë në çdo moment.** Kjo gjë bën të mundur një kontroll më të mirë të veglës së punës në situata të papritura.
 - f) **Vishuni në mënyrën e duhur. Mos vishni veshje të gjera ose bizhuteri. Mbani flokët, veshjet dhe dorashkat larg nga pjesët lëvizëse.** Veshjet e gjera, bizhuteritë ose flokët e gjatë mund të kapen nga pjesët në lëvizje.
 - g) **Nëse janë ofruar pajisje për lidhjen e pajisjeve të mbledhjes dhe nxjerrjes së pluhurave, sigurohuni që ato të jenë të lidhura dhe të përdoren si duhet.** Përdorimi i mbledhjes së pluhurave mund të zvogëlojë rreziqet në lidhje me pluhurat.
- #### 4) PËRDORIMI DHE KUJDESI PËR VEGLËN E PUNËS
- a) **Mos ushtroni forcë mbi veglën e punës. Përdorni veglën e punës të duhur për përdorimin tuaj.** Vegla e punës e duhur do të realizojë një punë më të mirë dhe më të sigurt dhe me shpejtësinë që ajo është e projektuar.
 - b) **Mos përdorni veglën e punës nëse çelësi nuk e ndez apo e fik.** Çdo vegël pune që nuk mund të kontrollohet me anë të çelësit është e rrezikshme dhe duhet të riparohet.
 - c) **Shkëputni spinën nga burimi i energjisë dhe/ose baterinë nga vegla e punës para se të bëni rregullime të tjera, të ndryshoni aksesorët ose të ruani veglat e punës.** Këto masa parandaluese të sigurisë ulin rrezikun e ndezjes aksidentale të veglës së punës.
 - d) **Mbani veglat e punës larg fëmijëve dhe mos lejoni personat e pamësuar me veglën e punës ose këto udhëzime për përdorimin e pajisjes.** Veglat e punës janë të rrezikshme në duart e përdoruesve të patrajnura.
 - e) **Mirëmbani veglat e punës. Kontrolloni për mospërshtatje ose bllokim të pjesëve lëvizëse, thyerje të pjesëve dhe gjendje të tjera që mund të ndikojnë në funksionimin e veglës së punës. Nëse dëmtohet, riparoheni veglën e punës para përdorimit.** Shumë aksidente shkaktohen nga veglat e punës jo të mirëmbajtura si duhet.
 - f) **Mbajini pajisjet prerëse të pastra dhe të mprehta.** Pajisjet e prerjes të mirëmbajtura dhe me anë të mprehta

kanë më pak mundësi për t'u bllokuar dhe janë më të lehta për t'u kontrolluar.

- g) **Përdorni veglat e punës, aksesorët dhe puntot, etj. në përputhje me këto udhëzime, duke marrë parasysh kushtet e punës dhe punën që do të kryhet.** Përdorimi i veglave për përdorime të ndryshme nga ato të përcaktuara mund të shkaktojë rrezique.

5) SHËRBIMI

- a) **Shërbimi i veglës së punës duhet të kryhet nga një person i kualifikuar për riparimet duke përdorur vetëm pjesë ndërrimi identike.** Kjo gjë do të sigurojë ruajtjen e sigurisë së veglave të punës.

UDHËZIMET E SIGURISË PËR ZDRUKTHËT

TË PËRGJITHSHME

- Kjo pajisje nuk duhet të përdoret nga personat nën moshën 16 vjeç
- Niveli i zhurmës gjatë punës mund të kalojë 85 dB(A); mbani mbrojtëse për veshët
- **Mos punoni me materiale që përmbajnë asbest** (asbesti konsiderohet kancerogjen)
- Pluhurat nga materialet si boja me plumb, disa lloje drurësh, mineralesh dhe metalesh mund të jenë të dëmshme (kontakti ose thithja e pluhurave mund të shkaktojë reagime alergjike dhe/ose sëmundje respiratore për përdoruesin ose personat përreth); **mbani një maskë për pluhurat dhe punoni me një pajisje për heqjen e pluhurave kur mund të lidhet**
- Disa lloje pluhurash skanë klasifikuar si kancerogjene (si pluhuri i lisit dhe i ahut) veçanërisht në ndërthurje me lëndët shtesë për kondicionimin e drurit; **mbani një maskë për pluhurat dhe punoni me një pajisje për heqjen e pluhurave kur mund të lidhet**
- Respektoni kërkesat kombëtare në lidhje me pluhurat për materialet me të cilat dëshironi të punoni
- SKIL mund të garantojë funksionimin pa probleme të veglës vetëm kur përdoren aksesorët e duhur që mund të merren nga shitësi i SKIL
- Mos e përdorni kurrë veglën kur kordoni është i dëmtuar; zëvendësojeni nga një person i kualifikuar
- **Shkëputni gjithmonë spinën nga burimi i energjisë para kryerjes së rregulimeve ose ndryshimeve të aksesoreve**

PARA PËRDORIMIT

- Kontrolli gjithmonë që voltazhi i energjisë të jetë i njëjtë si voltazhi që tregohet në etiketën e veglës (veglat me klasifikimin 230 V ose 240 V mund të lidhen po ashtu me një burim 220 V)
- Shmangni dëmtimet që mund të shkaktohen nga vidat, gozhdët dhe elementet e tjera në materialin e punës; hiqni ato para se të filloni punën
- Para përdorimit të veglës, kontrolloni që thikat të mos fërkohen
- Përdorni kordonë të pahapur dhe të sigurt për zgjatime, me një kapacitet 16 amper
- **Përdorni morsa ose mënyra të tjera praktike për të siguruar dhe mbështetur materialin e punës në platformë të qëndrueshme** (mbajtja e materialit me duar ose të mbështetur në trup bën që materiali të mbetet i paqëndrueshëm ose mund të shkaktojë humbje të kontrollit)

GJATË PËRDORIMIT

- **Mbajeni veglën e punës nga pjesët e izoluar të kapjes pasi prerësi mund të bjerë në kontakt me kordonin e tij** (perja e një teli me elektricitet mund të bëjë që pjesët metalike të ekspozuara të përcjellin elektricitetin dhe të shkaktojnë goditjen elektrike të përdoruesit)
- Mbajeni gjithmonë kordonin larg nga pjesët e lëvizshme të veglës; drejtojeni kordonin në anën e pasme, larg nga vegla
- Mbajini gishtat larg nga thikat rrotulluese
- Në rast të një defekti elektrik ose mekanik, fikni menjëherë pajisjen dhe hiqni spinën
- Nëse kordoni dëmtohet ose pritet gjatë punës, mos e prekni kordonin por hiqni menjëherë spinën
- Nëse ashklat bllokohen në daljen e ashklave, duhet të fikni motorin, sigurohuni që të gjitha pjesët e lëvizshme kanë ndaluar plotësisht, hiqni spinën dhe më pas hiqni ashklat e bllokuara

PAS PËRDORIMIT

- **Prisni që blloku i prerjes të ndalojë para se ta ulni veglën** (thika e ekspozuar mund të bjerë në kontakt me sipërfaqen duke shkakuar humbje të kontrollit dhe dëmtime të rënda)

PËRDORIMI

- Ndërrimi/kthimi i thikave ④
Ky zdrukth është i pajisur me thika jo të mprehshme me tehe prerëse në të dy krahët; kështu që nëse topitet një krah, mund të përdoret krahu tjetër
 - ! **fikni pajisjen dhe hiqni spinën**
 - hiqni pajisjet drejtuese, nëse janë të montuara
 - merrni çelësin nga vendi i ruajtjes A
 - kthejeni veglën përbys
 - lironi 3 bulona B me çelës (mos i hiqni bulonat)
 - shtyjeni thikën nga blloku i prerjes me anë të një cope druri
 - vendoseni përsëri thikën në bllokun e prerjes në pozicionin e kundërt ose përdorni një thikë të re
- ! **kanali i thikës duhet të përputhet me buzën e bllokut të prerjes**
- ! **të dyja anët e thikës duhet të dalin në mënyrë të barabartë**
- ! **sigurohuni që fundi i thikës X të përshatet me anë e këmbës** (vendosni një vizore rrafsh me kasën si në ilustrim dhe përdoreni si ndaluese)
- shtrëngoni mirë 3 bulonat B me çelës
- ! **ndërronji/kthejini thikat me kalimin e kohës; përdorni vetëm thika të mprehta**
- ! **ndërronji/kthejini gjithmonë të dyja thikat në të njëjtën kohë**
- ! **mos u përipiqni të rregulloni thikat me vidat e bllokut të prerjes C, të cilat janë të caktuara paraprakisht në momentin e prodhimit**
- Rregullimi i thellësisë së zdrukthimit (0-3 mm) ⑤
 - rrotulloni çelësin D për të zgjedhur thellësinë e duhur
 - përdorni vijën e treguesit E si referencë
 - zgjidhni gjithmonë një thellësi të vogël të zdrukthimit dhe përsëritni zdrukthimin dhe procesin e rregullimit deri sa të arrini thellësinë e dëshiruar

- Dalja e ashklave ⑥
 - zgjidhni krahun e dëshiruar të daljes së ashklave (majtas ose djathtas) me anë të çelësit G
 - lidhni fshesën me korrent me përshtatësin H në daljen e zgjedhur për ashklat si në ilustrim
 - mund të lidhni gjithashtu edhe qesën e pluhurave J me daljen e zgjedhur për ashklat si në ilustrim
- ! **mos u përpiqni të hiqni pengesat nga dalja e ashklave kur thikat janë duke u rrotulluar**
- Mbështetësja për pushim K ⑦
 - e mbron materialin e punës nga dëmtimi kur vegla lihet dhe nuk është në përdorim
 - do të paloset automatikisht prapa gjatë zdrukthimit
- Funksionimi i veglës
 - rregulloni thellësinë e zdrukthimit
 - vendoseni veglën mbi materialin e punës
- ! **sigurohuni që vetëm nofulla e përparme të mbështetet në materialin e punës dhe që thikat mos ta prekin**
- ndizni veglën duke shtypur në fillim çelësin L ② (= çelësin e sigurisë që nuk mund të bllokohet) dhe më pas tërhiqni çelësin e aktivizimit M ②
- ! **para se thikat të arrijnë te materiali i punës, vegla duhet të punojë me shpejtësinë e saj të plotë**
- mbajeni veglën fort me të dyja duart dhe shtypjeni përpara me goditje të vazhdueshme
- ! **gjatë punës, mbajeni gjithmonë veglën në zonën(at) e dorezës me ngjyrë gri ⑧**
- përdoreni veglën me pllakën e bazës mbi material
- mos e anoni veglën për të shmangur shenja të padëshirueshme gjatë zdrukthimit
- mbajini të çarat e ajrimit Q ② të pambuluara
- ! **para se ta fikni veglën, ju duhet ta ngrini atë nga materiali i punës**
- fikeni veglën duke lëshuar çelësin M
- Zdrukthimi i kllapave ⑨
 - zgjidhni thellësinë e dëshiruar të zdrukthimit
 - zgjidhni thellësinë e kllapave me anë të rregullatorit të thellësisë së kllapave N
 - vendoseni veglën mbi materialin e punës
 - filloni zdrukthimin
 - gjerësia maksimale e kllapave 82 mm
 - thellësia maksimale e kllapave 15 mm
- Kur zdrukthoni kllapa, do të keni rezultate më të mira kur përdorni rregullatorin paralel P për të rregulluar gjerësinë e kllapave ⑩

KËSHILLË PËR PËRDORIMIN

- Për kanale anësore përdorni kanalet V në nofullën e përparme ⑪
 - vendoseni dorezën D në pozicionin "0"
 - zgjidhni një nga 3 kanalet V
- ! **gjithmonë provojeni në fillim në një material të padobishëm**

MIRËMBAJTJA / SHËRBIMI

- Mbajeni gjithmonë veglën dhe kordonin të pastër (veçanërisht të çarat e ajrosjes Q ②)
- ! **shkëputni spinën para pastrimit**

- Nëse pajisja ka defekt pavarësisht kujdesit në prodhim dhe procedurat e provave, riparimi duhet të kryhet nga një qendër e shërbimit pas shitjes për veglat e punës të SKIL
 - dërgoni veglën të **çmontuar** së bashku me vërtetimin e blerjes të shitësi ose te qendra më e afër e shërbimit e SKIL (adresat si dhe diagrami i shërbimit i veglës janë të paraqitura në www.skilmasters.com)

MJEDISI

- **Mos i hidhni veglat elektrike, aksesorët dhe paketimin së bashku me materialet e mbeturinave familjare** (vetëm për vendet e BE-së)
 - në respektim të Direktivës evropiane 2012/19/EC për pajisjet elektrike dhe elektronike si mbetje dhe zbatimin e saj në përputhje me ligjet kombëtare, pajisjet elektrike që kanë aritur në fund të jetëgjatësisë së tyre duhet të mblihdhen të ndara dhe të kthehen në një objekt rëciklimi në përputhje me mjedisin.
 - simboli ⑫ do t'ju kujtojë për këtë gjë kur të jetë nevoja për t'i hedhur

DEKLARATA E KONFORMITETIT CE

- Ne deklarojmë me përgjegjësinë tonë të vetme se ky produkt i përshkruar në "Të dhëat teknike" është në përputhje me standardet ose dokumentet e standardizimit si më poshtë: EN 60745, EN 61000, EN 55014 në përputhje me dispozitat e direktivave 2004/108/EC, 2006/42/EC, 2011/65/EU
- **Dosja teknike në:** SKIL Europe BV (PT-SEU/ENG1), 4825 BD Breda, Holandë

Marijn van der Hoofden
Operations & Engineering

Olaf Dijkgraaf
Approval Manager

SKIL Europe BV, 4825 BD Breda, NL

23.12.2013

ZHURMA/VIBRIMI

- E matur në përputhje me EN 60745, niveli i trysnisë së tingullit i kësaj pajisje është 91 dB(A) dhe niveli i fuqisë së tingullit 102 dB(A) (shmangia standarde: 3 dB) dhe vibrimi 6,9 m/s² (metoda e krahut-dorës; pasiguria K = 1,5 m/s²)
- Niveli i emetimit të vibrimit është matur në përputhje me një provë të standardizuar të dhënë në EN 60745; ajo mund të përdoret për të krahasuar një vegël me një tjetër dhe si një vlerësim paraprak i ekspozimit ndaj vibrimit kur përdorni pajisjen për proceset e përmendura
 - përdorimi i pajisjes për procese të ndryshme, ose me aksesorë të ndryshëm dhe të mirëmbajtur keq, mund të **rritë** ndjeshëm nivelin e ekspozimit
 - kohët kur pajisja është e fikur dhe kur është e ndezur por jo në punë, mund të **zvogëlojnë** ndjeshëm nivelin e ekspozimit
- ! **mbroni veten nga efektet e vibrimit duke mirëmbajtur pajisjen dhe aksesorët e saj, duke i mbajtur duart e ngrohta dhe duke organizuar mënyrën tuaj të punës**

- با استفاده از حصار برش P برای تنظیم عرض کام و زیانه، هنگام رنده زدن کام و زیانه نتیجه بهتری بدست خواهید آورد (۱)

توصیه های کاربردی

- برای پخ زدن لبه ها از شیوار V- شکل در کفشک جلو استفاده کنید (۱)
- کلید گردان D را روی «۰» تنظیم کنید
- یکی از ۳ شیوار V- شکل را انتخاب کنید
- ! همیشه اول روی یک تکه بردنخور آزمایش کنید

نگهداری / سرویس- خدمات

- همیشه ابزار و سیم برق را تمیز نگهدارید (بخصوص شیوارهای تهویه Q (۱))
- ! پیش از تمیز کردن سیم برق را از برق بکشید
- اگر ابزار علیرغم تمام وقت و مراقبتی که در فرایندهای تولید و تست بکار برده شده از کار افتاد، تعمیرات باید فقط در مراکز خدمات پس از فروش ابزارهای برقی SKIL انجام شود
- ابزار را بصورتی بکشید همراه با رسید خرید به فروشنده یا نزدیک ترین مرکز خدمات مشتریان SKIL فرستید (آدرسها به همراه نمودارنقشه های سرویس ابزار در www.skilmasters.com موجود است)

محیط زیست

- ابزارهای برقی، لوازم و متعلقات و بسته بندی آنها را نباید همراه با زباله های عادی خانگی دور انداخت (فقط مخصوص کشورهای عضو اتحادیه اروپا)
- با توجه به مصوبه اروپایی ۲۰۱۲/۱۹/EC اروپا دربارۀ لوازم برقی و الکترونیکی مستعمل و اجرای این مصوبه مطابق با قوانین کشوری، ابزارهای برقی که به پایان عمر مفید خود رسیده اند باید جداگانه جمع آوری شده و به یک مرکز بازیافت مناسب و سازگار با محیط زیست انتقال یابند
- ناماعلامت (۱۴) یادآور این مسئله در هنگام دور انداختن است

اعلامیه مبنی بر رعایت استاندارد CE

- ما بر اساس مسئولیت انحصاری خود اعلام می نمایم که محصول شرح داده شده در قسمت «اطلاعات فنی» با استانداردها یا مستندات استاندارد شده زیر سازگاری و تطابق دارد: EN ۱۰۰۰۰ : EN ۱۰۷۵۴ : EN ۵۵۰۱۴، مطابق با مفاد مصوبات ۲۰۰۴/۱۰/NEC، ۲۰۰۴/۱۱/EC، ۲۰۱۱/۱۱/EU
- پرونده فنی در NL، ۴۸۴۵ BD Breda، SKIL Europe BV (PT-SEU/ENG) :

Marijn van der Hoofden
Operations & Engineering

Olaf Dijkgraaf
Approval Manager




SKIL Europe BV, 4825 BD Breda, NL

23.12.2013

صدا/ارتعاشات

- اندازه گیری ها بر اساس استاندارد EN ۱۰۷۵۴ و مشخص شده که میزان فشار صوتی این ابزار ۹۱ دسی بل و میزان توان صوتی آن ۱۰۲ دسی بل (با انحراف استاندارد ۳ دسی بل). و میزان ارتعاشات ۱,۹ متر/متر/متر ثانیه می باشد (شیوه دست-بازو، عدم قطعیت K = ۱,۵ متر/متر/متر ثانیه)
- میزان انتشار ارتعاشات بر اساس تست استاندارد شده ای که در EN ۱۰۷۵۴ معرفی شده است اندازه گیری گردید: از این ارقام می توان برای مقایسه یک ابزار با دیگری و بعنوان ارزیابی اولیه در معرض قرارگیری ارتعاشات هنگام کار با ابزار در کاربری های فوق استفاده کرد
- انتشار کردن از ابزار برای کاربردهای متفاوت. یا با لوازم و متعلقات متفاوت/تفرقه با لوازم و متعلقاتی که بد نگهداری شده اند. می تواند میزان در معرض قرارگیری را بطور قابل ملاحظه ای افزایش دهد
- مواقعی که ابزار خاموش است یا روشن است ولی کاری با آن انجام نمی شود. میزان در معرض قرارگیری بطور قابل توجهی کاهش می یابد
- ! با نگهداری مناسب از ابزار و لوازم و متعلقات آن، گرم نگه داشتن دست های خود، و سازمان دهی طرح های کاری می توانید خود را در برابر اثرات ارتعاش محافظت کنید

! ابزار را خاموش کرده و دوشاخه را بکشید

- ابزار هدایت کننده را اگر سوار شده باشند جدا کنید
- آچار را محافظه نگهداری بردارید A
- ابزار را وارونه کنید
- با آچار ۳ پیچ B با ما شل کنید (پیچ ها را بیرون نیاورید)
- با یک تکه چوب تیغه را از بلوک برنده بیرون بکشید
- تیغه را در وضعیت معکوس در بلوک برنده قرار دهید. یا از یک تیغه جدید استفاده کنید
- ! شیوارهای تیغه باید با لبه بلوک برنده همخوانی داشته باشند
- ! هر دو سر تیغه باید به یک اندازه جلو آمده باشند
- ! دقت کنید که تیغه و علامت X با لبه پایینی در یک خط باشند (مطابق شکل). یک خط کش را در برابر بدنه گذاشته و از آن بعنوان متوقف کننده استفاده کنید
- با آچار ۳ پیچ B را سفت کنید
- تیغه ها را به موقع عوض/پشت و رو کنید: فقط از تیغه های تیز استفاده کنید
- همیشه هر دو تیغه را همزمان عوض/پشت و رو کنید
- ! سعی نکنید تیغه ها را با پیچ های بلوک برنده C، که در کارخانه تنظیم شده اند تنظیم کنید
- تنظیم عمق رنده کاری (۰-۳ میلیمتر) (۱)
- برای انتخاب عمق مورد نیاز D کلید گردان را بگردانید
- از خط نشانگر E بعنوان مرجع استفاده کنید
- همیشه رنده کاری را با عمق کم شروع کرده و رنده زدن را تکرار کنید و آنرا تدریجاً زیاد کنید تا به عمق دلخواه دست یابید
- خروجی خرده چوب (۱)
- با استفاده از کلید G سمت دلخواه (چپ یا راست) را برای خارج شدن خرده چوب ها انتخاب کنید
- جابجایی را مطابق شکل با مبدل H به خروجی انتخاب شده خرده چوب وصل کنید
- همچنین می توانید کیسه جمع آوری گرد و غبار L را مطابق شکل به خروجی انتخاب شده خرده چوب وصل کنید
- ! هرگز موقعی که تیغه ها در حال چرخیدن هستند سعی نکنید مانعی را از خروجی خرده چوب بیرون بیاورید
- تکیه گاه آماده بکار K (۱)
- موقعی که ابزار را به کناری می گذارید از قطعه کاری در برابر آسیب ها محافظت می کند
- هنگام رنده زدن بطور خودکار به عقب تا می شود
- کار کردن با ابزار
- عمق رنده کاری را تنظیم کنید
- ابزار را روی قطعه کاری قرار دهید
- ! دقت کنید که فقط کفشک جلویی روی قطعه کاری قرار بگیرد و تیغه ها با آن تماسی نداشته باشند
- ابتدا با فشار دادن کلید گردان L (۱) = سوئیچ ایمنی که نمی تواند قفل شود) ابزار را روشن کرده و سپس اسلات M (۱) را بکشید
- ! ابزار باید پیش از اینکه تیغه ها به قطعه کاری برسند، به دور کامل خود رسیده باشند
- ابزار را محکم با هر دو دست گرفته و با حرکت های پیوسته آنرا به جلو هدایت کنید
- ! هنگام کار باید همیشه ابزار را در دستگیره (های) خاکستری رنگ بگیرید (A)
- از ابزار طوری استفاده کنید که صفحه زیرین آن روی قطعه کاری قرار گیرد
- برای جلوگیری از ایجاد ردهای ناخواسته رنده، هرگز ابزار را کج نکنید
- شیوارهای تهویه Q (۱) را مسدود نکنید
- ابزار را باید قبل از خاموش کردن از روی قطعه کاری برداشت
- با رها کردن اسلات M ابزار را خاموش کنید
- رنده کاری کام و زیانه (۱)
- عمق رنده کاری دلخواه را انتخاب کنید
- از تنظیم کننده عمق کام و زیانه N استفاده کنید و عمق کام و زیانه را انتخاب نمایید
- ابزار را روی قطعه کاری قرار دهید
- رنده کاری را شروع کنید
- حداکثر عرض کام و زیانه ۸۲ میلیمتر است
- حداکثر عمق کام و زیانه ۱۵ میلیمتر است

ا) حواس خود را خوب جمع کنید. به کار خود دقت کنید و با فکر و هوش کامل با ابزار الکتریکی کار کنید. در صورت خستگی و یا در صورتیکه مواد مخدر، الکل و دارو استفاده کرده اید، با ابزار الکتریکی کار نکنید. یک لحظه بی توجهی هنگام کار با ابزار الکتریکی، می‌تواند جراحات‌های شدیدی به همراه داشته باشد.

ب) همواره از تجهیزات ایمنی شخصی استفاده کنید. همواره از عینک ایمنی استفاده کنید. استفاده از تجهیزات ایمنی مانند ماسک ایمنی، کشش‌های ایمنی ضد لغزش، کلاه ایمنی و گوشی ایمنی مناسب با نوع کار با ابزار الکتریکی، خطر مجروح شدن را تقلیل می‌دهد.

ت) مواظب باشید که ابزار الکتریکی بطور ناخواسته بکار نیفتد. قبل از وارد کردن دوشاخه دستگاه در پریز برق، اتصال آن به باطری، برداشتن آن و یا حمل دستگاه، باید دقت کنید که ابزار الکتریکی خاموش باشد. در صورتیکه هنگام حمل دستگاه انگشت شما روی دکمه قطع و وصل باشد و یا دستگاه را در حالت روشن به برق بزنید. ممکن است سوانح کاری پیش آید.

ث) قبل از روشن کردن ابزار الکتریکی، باید همه ابزارهای تنظیم‌کننده و آچارها را از روی دستگاه بردارید. ابزار آچارهایی که روی بخش‌های چرخنده دستگاه قرار دارند، می‌توانند باعث ایجاد جراحات شوند.

ج) پیش از حد به آنها نزدیک نشوید. برای کارهای مطمئن برای خود انتخاب کرده و تعادل خود را همواره حفظ کنید. به این ترتیب می‌توانید ابزار الکتریکی را در وضعیت‌های غیر منتظره بهتر تحت کنترل داشته باشید.

ح) لباس مناسب بپوشید. از پوشیدن لباس‌های فراخ و حمل زینت آلات خود داری کنید. موها، لباس و دستکش‌ها را از بخش‌های در حال چرخش دستگاه دور نگهدارید. لباس‌های فراخ، موی بلند و زینت آلات ممکن است در قسمت‌های در حال چرخش دستگاه گیر کنند.

خ) در صورتیکه می‌توانید وسایل مکش گرد و غبار و یا وسیله جذب زائده را به دستگاه نصب کنید، باید مطمئن شوید که این وسایل نصب و درست استفاده می‌شوند. استفاده از وسایل مکش گرد و غبار مصونیت شما را در برابر گرد و غبار زیاد تر می‌کند.

د) استفاده صحیح از ابزار الکتریکی و مراقبت از آن
ا) از وارد کردن فشار زیاد روی دستگاه خود داری کنید. برای هر کاری، از ابزار الکتریکی مناسب با آن استفاده کنید. بکار گرفتن ابزار الکتریکی مناسب باعث می‌شود که بتوانید از توان دستگاه بهتر و با اطمینان بیشتر استفاده کنید.

ب) در صورت ایراد در کلیه قطع و وصل ابزار برقی، از دستگاه استفاده نکنید. ابزار الکتریکی که می‌توان آنها را قطع و وصل کرد، خطرناک بوده و باید تعمیر شوند.

ت) قبل از تنظیم ابزار الکتریکی، تعویض متعلقات و یا کنار گذاشتن آن، دوشاخه را از برق کشیده و یا باطری آنرا خارج کنید. رعایت این اقدامات پیشگیری ایمنی از راه افتادن ناخواسته ابزار الکتریکی جلوگیری می‌کند.

ث) ابزار الکتریکی را در صورت عدم استفاده، از دسترس کودکان دور نگهدارید. اجازه ندهید که افراد نا وارد و یا اشخاصی که این دفتر چه راهنما را نخوانده اند، با این دستگاه کار کنند. قرار گرفتن ابزار الکتریکی در دست افراد ناوارد و بی‌چربیه خطرناک است.

ج) از ابزار الکتریکی خوب مراقبت کنید. مواظب باشید که قسمت‌های متحرک دستگاه خوب کار کرده و گیر نکنند. همچنین دقت کنید که قطعات ابزار الکتریکی شکسته و یا آسیب دیده نباشند. قطعات آسیب دیده را قبل از شروع به کار تعمیر کنید. علت بسیاری از سوانح کاری، عدم مراقبت کامل از ابزارهای الکتریکی می‌باشد.

ح) ابزار برش را تیز و تمیز نگهدارید. ابزار برشی که خوب مراقبت شده و از لبه‌های تیز برخوردارند، کمتر در قطعه کار گیر کرده و بهتر قابل هدایت می‌باشند.

خ) ابزارهای الکتریکی، متعلقات، ابزارهای که روی دستگاه نصب می‌شوند و غیره را مطابق دستورات این جزوه راهنما طوری به کار گیرید که با مدل این دستگاه تناسب داشته باشند. همچنین به شرایط کاری و نوع کار توجه کنید. کاربرد ابزار برقی برای موارد کاری که برای آن در نظر گرفته نشده است، می‌تواند شرایط خطرناکی را منجر شود.

د) سرویس
برای تعمیر ابزار الکتریکی فقط به متخصصین حرفه‌ای رجوع کرده و از وسایل یکدیگر استفاده نکنید. این باعث خواهد شد که ایمنی دستگاه شما تضمین گردد.

ا) برای تعمیر ابزار الکتریکی فقط به متخصصین حرفه‌ای رجوع کرده و از وسایل یکدیگر استفاده نکنید. این باعث خواهد شد که ایمنی دستگاه شما تضمین گردد.

هشدارهای ایمنی برای دستگاه‌های رنده

عمومی

• افراد کمتر از ۱۶ سال نباید با این دستگاه کار کنند
• میزبان صدای تولید شده توسط این ابزار در حین کار می‌تواند از ۸۵ دسی بل بیشتر شود؛ از گوشی‌های محافظ استفاده کنید

• با مواد حاوی آزنیت کار نکنید (آزنیت سرطان‌زا است)
• گرد و خاک‌های که از موادی مانند رنگ‌های حاوی سرب، برخی گونه‌های چوب، مواد معدنی و فلزات بلند می‌شود می‌تواند خطرناک باشد (ماسک با این گرد و خاکها و یا تنفس آنها می‌تواند در کاربران ابزار یا افراد نزدیک به محل کار واکنش‌های حساسیتی و یا بیماری‌های تنفسی ایجاد کند؛ یک ماسک مخصوص گرد و خاک بزنید و در صورت امکان از یک وسیله مکش گرد و خاک استفاده کنید

• برخی از گرد و خاکها (مانند گرد و خاک‌های که از چوب بلوط یا راش بلند می‌شود) علی‌الخصوص در مجاورت افزودنی‌های مخصوص چوب، سرطان‌زا هستند؛ یک ماسک مخصوص گرد و خاک بزنید و در صورت امکان از یک وسیله مکش گرد و خاک استفاده کنید

• از مقررات ملی مربوط به گرد و خاک موادی که می‌خواهید با آنها کار کنید پیروی نمایید

• فقط در صورتی کارکردن بی‌عیب و نقص ابزار را تضمین می‌کند که از لوازم و متعلقات مناسب استفاده شده باشد و از نمایندگان رسمی SKIL تهیه شده باشد

• وقتی که سیم برق ابزار آسیب دیده هرگز از آن استفاده نکنید و از یک فرد متخصص بخواهید آنرا برای شما عوض کند

• قبل از هرگونه تنظیم یا تعویض کردن لوازم و ملحقات حتماً باید سیم برق دستگاه را از پریز بکشید

• پیش از استفاده

• همیشه مطمئن شوید که ولتاژ ورودی دستگاه برابر ولتاژی باشد که روی پلاک دستگاه نوشته شده است (ابزارهایی که ولتاژ ورودی آنها ۲۳۰ یا ۲۴۰ ولت مشخص شده است می‌توانند با برق ۲۲۰ ولت هم کار کنند)

• پیچ‌ها، میخ‌ها و سایر اجزا دیگر می‌توانند به قطعه کاری شما آسیب بزنند؛ بنابراین پیش از شروع کار آنها را بردارید

• قبل از کار با ابزار دقت کنید که تیغه‌ها با هیچ کجا تماس نداشته باشند

• سیم‌های رابط برق باید کاملاً باز شده و ایمن باشند. از سیم‌هایی با زره بندی ۱/۱ آمپر

• از گیره‌های با روش عملی و مطمئن دیگر برای محکم کردن قطعه کار روی یک سطح پایدار استفاده کنید (اگر قطعه کار را با دست نگه دارید یا به بدن خود تکیه دهید. امکان دارد کنترل کار را از دست بدهید)

• در حین استفاده

• حتماً ابزار را از جای دستهای مخصوص عایق‌انگیز بگیرید، چون امکان دارد قسمت‌های با سیم خود ابزار تماس پیدا کند (بریدن سیم‌های «برق دار» می‌تواند در بخش‌های فلزی دستگاه نیز جریان «برق» تولید کرده و در اپراتور برق گرفتگی ایجاد کند)

• همیشه سیم برق را از بخش‌های متحرک ابزار دور بگیرید؛ سیم را به سمت پشت و دور از ابزار بگیرید

• انگشتان خود را از تیغه‌های گردان دور نگهدارید
• در صورت بروز اشکالات برقی یا مکانیکی، فوراً ابزار را خاموش کرده و سیم برق آنرا از پریز بکشید

• اگر سیم برق آسیب دیده یا بریده شده باشد، هرگز به سیم دست نزنید. اما فوراً آنرا از پریز بکشید
• اگر تراشه‌هایی در خروجی تراشه‌های چوب گیر کند، باید موتور را خاموش کرده، مطمئن شوید که کلیه اجزاء و بخش‌های متحرک از حرکت ایستاده باشند. دوشاخه را کشیده و تراشه‌گیر کرده را خارج کنید

• بعد از استفاده
• قبل از اینکه کار با ابزار را تمام کنید منتظر شوید که بلوک برنده متوقف شود (تیغه‌هایی که باز و آشکار هستند ممکن است با سطوح درگیر شده و در نتیجه ابزار از کنترل خارج شده و جراحات‌های خطرناک ایجاد کند)

استفاده

• عوض‌یشتن و رو کردن تیغه‌ها ④

• این رنده دارای تیغه‌های ضد سائیدگی است که در هر دو سمت خود لبه‌های برنده دارند؛ بنابراین اگر یک سمت کند شده باشد می‌توانید از سمت دیگر استفاده کنید

الصيانة / الخدمة

- احرص دائماً على نظافة الأداة والسلك (وخصوصاً فتحات التهوية Q)؛
- **افصل المقابس قبل التنظيف**
- إذا نعدت تشغيل الأداة على الرغم من الحذر الشديد في إجراءات التصنيع والاختيار، فيجب القيام بالإصلاحات بواسطة مركز خدمة ما بعد البيع لأدوات الطاقة التابع لشركة SKIL.
- قم بإرسال الأداة دون تفكيكها بالإضافة إلى إثبات الشراء إلى البائع أو أقرب محطة خدمة (خدمة) SKIL المعنويين بالإضافة إلى مخطط الخدمة متناح على www.skilmasters.com

البيئة المحيطة

- لا تتخلص من الأدوات الكهربية والملحقات ومواد التغليف مع النفايات المنزلية (الدول الإخاء الأوروبي فقط)؛
- وفقاً للتوجيه الأوروبي 2012/19/EC حول نفايات المعدات الكهربية والإلكترونية وتطبيقه بالتوافق مع القانون المحلي، يجب جميع الأدوات الكهربية منتهية الصلاحية بشكل منفصل وإرسالها إلى أحد منشآت إعادة التصنيع المتوافقة مع البيئة؛
- سيذكر الرمز 10 بهذا عند الحاجة إلى التخلص من أية أداة؛

إعلان توافق CE

- نحن نقر على مسئوليتنا الخاصة أن المنتج الموضح في «البيانات الفنية» يتوافق مع المعايير أو المسندات العيارية التالية EN 10.745 : EN 11.000 و EN 55.014 و EN 60.900 بالتوافق مع شروط التوجيهات 2004/10/EC و 2006/66/EC و 2011/65/EU
- **الملف الفني** على www.skil.com، EN 11.000، 4825 BD Breda، SKIL Europe BV (PT-SEU/ENG)؛

Marijn van der Hoofden
Operations & Engineering

Olaf Dijkgraaf
Approval Manager

SKIL Europe BV, 4825 BD Breda, NL

23.12.2013

الوضوء/الاهتزاز

- عند القياس بالتوافق مع EN 1.0.745 يكون مستوى ضغط صوت هذه الأداة هو 91 ديسيبل (أ) ومستوى طاقة الصوت 10.2 ديسيبل (أ) (الانحراف المعياري 3؛ ديسيبل). والاهتزاز 1.9 م/ث² متطرفة اهتزاز البد؛ K غير مؤكد 1.5 م/ث²؛
- تم قياس مستوى الاهتزازات بالتوافق مع الاختبار المعياري المحدد في EN 1.0.745. يمكن استخدامه لمقارنة أداة أخرى وكتقييم تمهيدي للتعرض للاهتزاز عند استخدام الأداة في التطبيقات الموضحة:
- قد يؤدي استخدام الأداة في تطبيقات مختلفة أو ملحقات مختلفة أو ذات صيانة دينية إلى زيادة مستوى التعرض بصورة كبيرة؛
- إن الفترة الزمنية التي يتم خلالها إيقاف تشغيل الأداة أو عندما تكون قيد التشغيل لكنها لا تؤدي أية مهام، تؤدي إلى تقليل مستوى التعرض بصورة كبيرة؛
- ! **قم بحماية نفسك من تأثيرات الاهتزاز من خلال صيانة الأداة وملحقاتها.** وحافظة على يدك دافئتين وتنظيم أحمال العمل لديك؛

FA

1570

دستگاه رنده

مقدمه

- این دستگاه برای رنده کاری قطعات چوبی مانند تیرها و تخته ها طراحی شده است؛ همچنین برای پخ زدن لبه ها و درست کردن کام و زبانه مناسب می باشد
- لطفاً این دفترچه راهنما را مطالعه کرده و نگهدارید (3)

اطلاعات فنی (1)

اجزای ابزار (2)

- A محل نگهداری کلید
- B پیچ سفت کننده
- C پیچ های بلوک برنده
- D کلید گردان تنظیم عمق رنده کاری
- E نشانگر عمق رنده کاری
- F خروجی خرده چوب (چپ/راست)
- G کلید خروجی خرده چوب
- H میبل جاروبرقی
- J کیسه جمع آوری گرد و غبار
- K تکیه گاه آماده بکار
- L کلید ایمنی
- M کلید روشن/خاموش
- N تنظیم کننده عمق کام و زبانه
- P حفاظ برش
- Q شماره های تهبویه

ایمنی

راهنمای ایمنی عمومی

⚠ هشدار! همه دستورات ایمنی و راهنمای ها را بخوانید. اشتباهات ناشی از عدم رعایت این دستورات ایمنی ممکن است باعث برق گرفتگی، سوختگی و یا سایر جراحت های شدید شود. همه هشدار های ایمنی و راهنمای ها را برای آینده خوب نگهداری کنید. هر جا در این راهنما از «ابزار الکتریکی» صحبت میشود، منظور ابزاری الکتریکی (باسیم برق) و یا ابزاری الکتریکی باتری دار (بدون سیم برق) می باشد.

1) ایمنی محل کار

Ⓐ **محل کار خود را تمیز، مرتب و مجهز به نور کافی نگهدارید.** محیط کار نامرتب و کم نور میتواند باعث سوانح کاری شود.

ب) **با ابزار الکتریکی در محیط هایی که در آن خطر انفجار وجود داشته و حاوی مایعات، گازها و غبارهای محترقه باشد، کار نکنید.** ابزارهای الکتریکی جرقه های ایجاد می کنند که می توانند باعث آتش گرفتن گرد و بخار های موجود در هوا شوند.

ت) **هنگام کار با ابزار الکتریکی، کودکان و سایر افراد را از دستگاه دور نگهدارید.** در صورتیکه حواس شما پرت شود، ممکن است کنترل دستگاه از دست شما خارج شود.

2) ایمنی الکتریکی

Ⓐ **دوشاخه ابزار الکتریکی باید با پریز برق تناسب داشته باشد. هیچگونه تغییری در دوشاخه ندهید.** میبل دوشاخه خود همراه با ابزار الکتریکی دارای اتصال به زمین (ارت شده) استفاده شود. میبل دوشاخه نباید همراه با ابزار الکتریکی دارای اتصال به زمین (ارت شده) استفاده شود.

ب) **از تماس بدنی با قطعات دارای سیم اتصال به زمین (ارت شده) مانند لوله، شوفان، اجاق برقی و یخچال خود داری کنید.** در صورتیکه بدن شما با سیم دارای اتصال به زمین (ارت شده) تماس پیدا کند، خطر برق گرفتگی بیشتر خواهد شد.

ت) **دستگاه را از باران و رطوبت دور نگهدارید.** نفوذ آب به ابزار الکتریکی، خطر شوک الکتریکی را افزایش می دهد.

ث) **از سیم به درستی استفاده کنید.** از سیم دستگاه برای کارهایی چون حمل ابزار الکتریکی، آویزان کردن آن و یا خارج کردن دوشاخه از برق استفاده نکنید. دستگاه را در مقابل حرارت، رطوبت، لبه های تیز و بخش های متحرک دستگاه دور نگهدارید. کابل های آسیب دیده و یا گره خورده خطر شوک الکتریکی را افزایش می دهند.

ج) **در صورتیکه با ابزار الکتریکی در محیط باز کار می کنید، تنها از کابل را بطی استفاده کنید که برای محیط باز نیز مناسب باشد.** کابل های رابط مناسب برای محیط باز، خطر برق گرفتگی را کم می کنند.

ح) **در صورت لزوم کار با ابزار الکتریکی در محیط و اماکن مرطوب، در اینصورت باید از یک کلید حفاظتی جریان خطا و نشستی زمین (کلید قطع کننده اتصال با زمین) استفاده کنید.** استفاده از کلید حفاظتی جریان خطا و نشستی زمین خطر برق گرفتگی را کمتر می کند.

3) رعایت ایمنی اشخاص

تعليمات السلامة لأدوات التسوية

معلومات عامة

- لا يجب استخدام هذه الأداة من قبل الأشخاص الأقل من 16 عام؛
- قد يزيد مستوى الضوضاء أثناء العمل عن 85 ديسيبل (A). لذا قم بارتداء واقبات للأذن
- لا تعمل باستخدام مواد تشتمل على الأسبستوس (يعتبر الأسبستوس مادة مسرطنة)؛
- الغبار الناتج من المواد كالطلاء الذي يحتوي على رصاص وبعض أنواع الأخشاب والعماد والمكونات المعدنية قد يكون ضاراً (ملامسة أو استنشاق الغبار قد تتسبب في إصابة المشغل أو من يجاوره بأمراض الحساسية وأو أمراض الجهاز التنفسي)؛
- قم بارتداء قناع للغبار مع العمل باستخدام جهاز شفط للغبار، طالما أمكن توصيله
- ثمة أنواع معينة من الغبار تُصنّف على أنها مواد مسببة للسرطان (مثل غبار خشب اللبوط والزنان) خاصة عند استخدامها مع مواد مضافة لعلاج الخشب؛
- قم بارتداء قناع للغبار مع العمل باستخدام جهاز شفط للغبار، طالما أمكن توصيله
- الترمز بالمتطلبات الوطنية الخاصة بالعمل باستخدام المواد المطلوبة
- تضمن SKIL التشغيل السليم للأداة فقط عند استخدام الملحقات الصحيحة. والتي يمكن الحصول عليها من بائع معدات SKIL
- يحظر نهائيًا استخدام الأداة في حالة تلف السلك. بل قم باستبداله من قبل أحد الأفراد المؤهلين
- احرص دائماً على فصل القابس من مصدر الطاقة قبل القيام بأية عمليات ضبط أو تغيير أية ملحقات؛

قبل الاستخدام

- تأكد دائماً من أن الفولت الزود هو نفسه المشار إليه على اللوحة الخاصة بالأداة (يمكن كذلك توصيل الأدوات ذات التصنيف ٢٣٠ فولت أو ٢٤٠ فولت بمصدر إمداد ٢٢٠ فولت)؛
- جنب التلف الذي قد تتسبب فيه البراغي والمسامير والعناصر الأخرى الموجودة في القطعة التي تعمل بها. قم بفكهم قبل بدء العمل؛
- قبل استخدام الأداة تحقق من عدم حلك السكاكين في أي مكان؛
- استخدم أسلاك عميد مفكوكة تماماً وأمنة سعة 11 أمبير (13 أمبير في بريطانيا العظمى)
- استخدم القامطات أو وسيلة عملية أخرى لتثبيت قطعة العمل بمنصة ثابتة ودعمها/الإسناك بقطعة العمل في يدك أو مقابل جسمك قد يؤدي إلى فقدان التحكم؛

أثناء الاستخدام

- امسك بالأداة الكهربائية بواسطة أسطح إمساك معزولة لأن القاطع قد يلامس سلك الطاقة الخاص به (قطع سلك «متصل بالكهرباء» قد يؤدي إلى «وصول التيار الكهربائي» إلى أجزاء معدنية مكشوفة بالأداة الكهربائية ويعرض المشغل للصدمة الكهربائية)؛
- حافظ دائماً على بقاء السلك بعيداً عن الأجزاء المتحركة بالأداة، ووجه السلك للخلف بعيداً عن الأداة؛
- ابق أصابعك بعيدة عن السكاكين الدوارة؛
- في حالة حدوث خلل كهربائي أو ميكانيكي، أوقف تشغيل الأداة فوراً وافصل القابس؛
- في حالة تعرض السلك للتلف أو لقطع أثناء العمل، لا تلمس السلك وافصل القابس فوراً
- في حالة تعرضك لشرحية للاحتشار في مخرج الشرائح، يجب عليك إيقاف تشغيل المحرك والتأكد من أن جميع الأجزاء المتحركة قد توقفت تماماً وافصل القابس وأخرج الشريحة المحسوسة؛
- بعد الاستخدام
- انتظر حتى تتوقف كتلة القاطع قبل وضع الأداة جانباً (فوجود سكين مكشوف قد يتعشق بالسطح سيؤدي لفقدان حُكم محتمل وإصابة خطيرة)؛

الاستخدام

- تغيير/قلب السكاكين ④
- إن أداة التسوية هذه مجهزة بسكاكين غير قابلة للسحب بحواف قطع على كلا جانبيها. بحيث إذا فقد أحد الجانبين حده يمكن استخدام الجانب الآخر؛
- ! أوقف تشغيل الأداة وافصل القابس؛
- قم بإزالة أجهزة التوجيه، إذا كانت مركبة؛
- تناول مفتاح الربط من موضع التخزين A؛

أقلب الأداة:

- فك ٣ مسامير B باستخدام مفتاح الربط (لا تقم بإزالتها)؛
- ادفع السكين خارج كتلة القاطع باستخدام قطعة خشب؛
- أعد السكين مرة أخرى في كتلة القاطع في وضع عكسي أو استخدم سكين جديد؛
- ! التجويف الموجود في السكين يجب أن يلامس الحافة الناتئة الموجودة بكتلة القاطع؛
- ! ويجب أن يبرز طرفي السكين بمقدار متساو؛
- ! تأكد من أن طرف السكين X بحذاء حافة القدم (ضع مسطرة مستوية مقابل البيت كما هو موضح في الشكل واستخدامها كأداة إيقاف)؛
- ! اربط ٣ مسامير B بإحكام باستخدام مفتاح الربط؛
- ! قم بتغيير/قلب السكين في الوقت المحدد، ولا تستخدم سوى السكاكين الحادة؛

! قم دائماً بتغيير/قلب السكينين في نفس الوقت:

- ! لا حاول ضبط السكينين مع براغي كتلة القاطع C، التي تم ضبطها مسبقاً أثناء عملية التصنيع؛
- ضبط عمق التسوية ٢-٣ ملم) ⑤
- أدر المقبض D لتحديد العمق المطلوب؛
- استخدم خط المؤشر E كمرجع؛
- قم دائماً بتحديد عمق نسوية قليل وكرر عملية التسوية والضغط حتى تصل للعنق المطلوب؛

مخرج الشرائح ①

- حدد جانب مخرج الشرائح المطلوب (اليسار أو الأيمن) باستخدام المفتاح G؛
- قم بتوصيل المكنتسة الكهربائية مع المهابن H بمخرج الشرائح المحدد كما هو موضح في الشكل؛
- كما يمكن كذلك توصيل كيس الغبار L بمخرج الشرائح المحدد كما هو موضح في الشكل؛

! لا حاول إزالة أي معوقات من مخرج الشرائح أثناء دوران السكاكين:

• مسند إيقاف K ⑥

- خذي قطعة العمل من التلف عند وضع الأداة جانباً؛
- سَطِّو أوتوماتيكياً للخلف أثناء عملية التسوية؛
- تشغيل الأداة
- اضبط عمق التسوية؛
- ضع الأداة على قطعة عمل؛
- ! تأكد من أن الحذاء الأمامي فقط يستند على قطعة العمل وأن السكينين لا يلامسا؛

- قم بتشغيل الأداة بالضغط أولاً على المقبض L (T) = مفتاح الأمان الذي لا يمكن قفله) ثم يسحب الزناد M ①.

- ! وقبل أن يصل السكينان لقطعة العمل، يجب أن تدور الأداة بسرعة كاملة؛
- ! امسك الأداة بإحكام بكلتا يديك ووجهها للأمام في شروط متواصل؛

- ! أثناء العمل، امسك الأداة دائماً من منطقة (مناطق) المقبض رمادية اللون ⑧؛

- استخدم الأداة بلوحها الأساسية على قطعة العمل؛
- لا عمل الأداة لافياً حدوث علامات نسوية غير مرغوب فيها؛
- احرص على أن تكون فتحات التهوية Q غير مغطاة؛
- ! قبل إيقاف تشغيل الأداة، يجب أن ترتفعها عن قطعة العمل؛
- أوقف تشغيل الأداة عن طريق خريز الزناد M؛

• تسوية الفزرات ⑨

- حدد عمق التسوية المطلوب؛
- حدد عمق التفريز باستخدام ضابط عمق التفريز N؛
- ضع الأداة على قطعة عمل؛
- ابدأ التسوية؛
- يبلغ الحد الأقصى لعرض التفريز ٨٢ ملم؛
- يبلغ الحد الأقصى لعرض التفريز ١٥ ملم؛
- عند تسوية فزرات ستممكن من تحقيق نتائج أفضل باستخدام حاجز قطع طولي P لضبط عرض التفريز ⑩.

توصيات الاستخدام

- لتشطيب الحواف استخدم جانوبي على شكل V في الحذاء الأمامي ⑪
- اضبط المقبض D في الوضع «0»؛
- حدد أحد التجاويف الثلاثة التي على شكل V؛
- ! قم دوماً في البداية بإجراء اختبار على قطعة عمل من مواد خردة؛

مقدمة

- تم تصميم هذه الأداة لتسوية خامات خشبية مثل العوارض والألواح، وهي ملائمة أيضاً لتشطيب الحواف وأعمال التفريز؛
- اقرأ دليل التعليمات هذا واحفظه به ٢

البيانات الفنية ١

مكونات الأداة ٢

- A موضع تخزين الفتحاح
- B مسمار تأمين
- C براغي كتلة الفتحاح
- D مقبض لضبط عمق التسوية
- E مؤشر عمق التسوية
- F مخرج الشرائح (الآين/الأسبر)
- G مفتاح مخرج الشرائح
- H مهابن الكنتسة الكهربائية؛
- J كيس غبار
- K مسند الإنقياف
- L مفتاح الأمان
- M مفتاح التشغيل/إيقاف
- N ضابط عمق التفريز
- P دليل القطع الطولي
- Q فتحات التهوية

أمان

تعليمات السلامة العامة

⚠ **حذيراً!** اقرأ جميع الملاحظات التحذيرية والتعليمات إن ارتكاب الأخطاء عند تطبيق الملاحظات التحذيرية والتعليمات قد يؤدي إلى الصدمات الكهربائية. إلى نشوب الحرائق وأو الإصابة بجروح خطيرة. احتفظ بجميع الملاحظات التحذيرية والتعليمات للمستقبل. يقصد مصطلح «العدة الكهربائية» المستخدم في الملاحظات التحذيرية، العدد الكهربائي الموصولة بالشبكة الكهربائية (بواسطة كابل الشبكة الكهربائية) وأيضاً العدد الكهربائي الزودة بطارية (دون كابل الشبكة الكهربائية).

١ الأمان مكان الشغل

- ١) حافظ على نظافة وحسن إضاءة مكان شغلك. القوضه في مكان الشغل ومجالات العمل الغير مضاهة قد تؤدي إلى حدوث الحوادث.
- ب) لا تشغّل بالعدة الكهربائية في محيط معرض لخطر الانفجار والذي تتوفر فيه السوائل أو الغازات أو الأبخرة القابلة للاشتعال. العدد الكهربائي تشكل النشور الذي قد يتطاير فيشعل الأبخرة والأبخرة.
- ت) حافظ على بقاء الأطفال وغيرهم من الأشخاص على بعد عندما تستعمل العدة الكهربائية. قد تفقد السيطرة على الجهاز عند التلهي.

٢ الأمان الكهربائي

- ١) يجب أن يتلاءم قابس وصل العدة الكهربائية مع القابس. لا يجوز تغيير القابس بأي حال من الأحوال. لا تستعمل القوابس الهابئة مع العدد الكهربائي المؤرّضة تأريض وقائي. تخفض القوابس التي لم يتم تغييرها والمقابس الملائمة من خدات الصدمات الكهربائية.
- ب) جنب ملاصقة السطوح المؤرّضة كالألنابن ورادياتورات التدفئة والداقي أو البرادات بواسطة جسمك. يزداد خطر الصدمات الكهربائية عندما يكون جسمك مؤرض.
- ت) أبعد العدة الكهربائية عن الأمطار والرطوبة. يزداد خطر الصدمات الكهربائية إن تسرب الماء إلى داخل العدة الكهربائية.

- ١) يجب عدم إساءة استخدام الكابل. لا تسنّ استعمال الكابل لحمل العدة الكهربائية أو تعليقها أو لسحب القابيس من المقبس. حافظ على إبعاد الكابل عن الحرارة والزيت والحواف الحادة أو عن أجزاء الجهاز المتحركة. تزيد الكابلات التالفة أو المتشابكة من خطر الصدمات الكهربائية.
- ج) استخدم فقط كابلات التمديد الصالحة للاستعمال الخارجي أيضاً عندما تشغّل بالعدة الكهربائية في الخلاء. يخفض استعمال كابل تمديد مخصص للاستعمال الخارجي من خطر الصدمات الكهربائية.
- ح) إن لم يكن بالإمكان عدم تشغيل العدة الكهربائية في الأجواء الرطبة. فاستخدم فقط للوقاية من التيار المتردد. إن استخدام مفتاح للوقاية من التيار المتردد يقلل خطر الصدمات الكهربائية.

٣ أمان الأشخاص

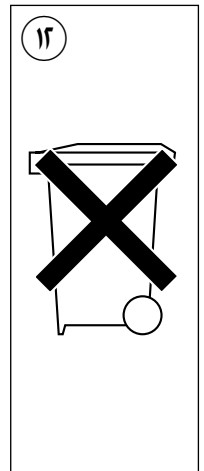
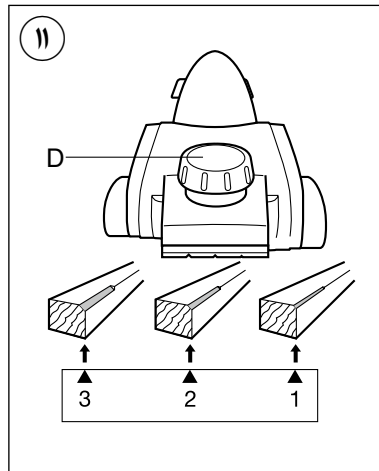
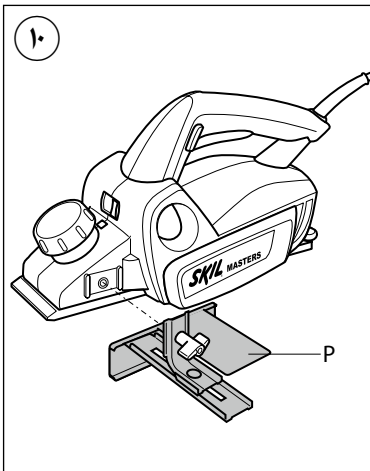
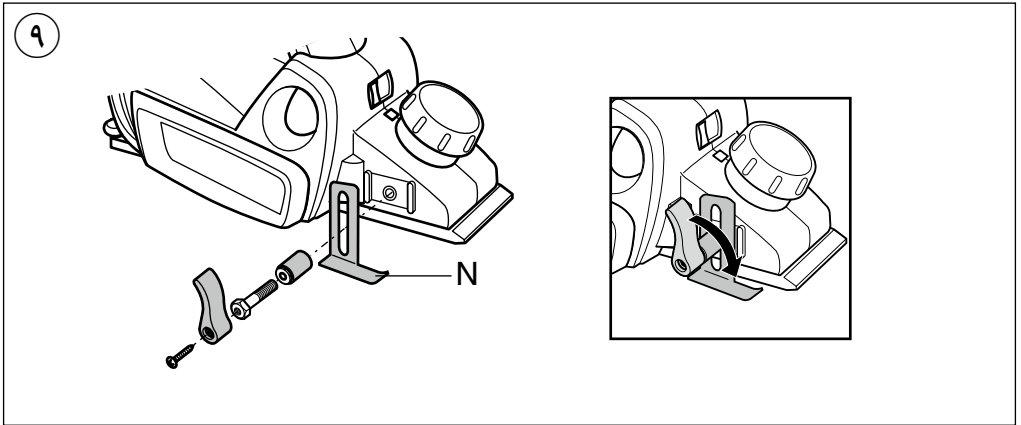
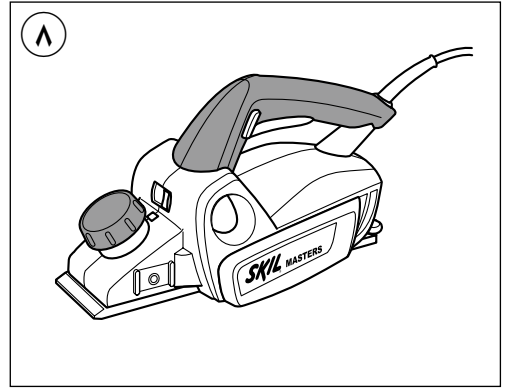
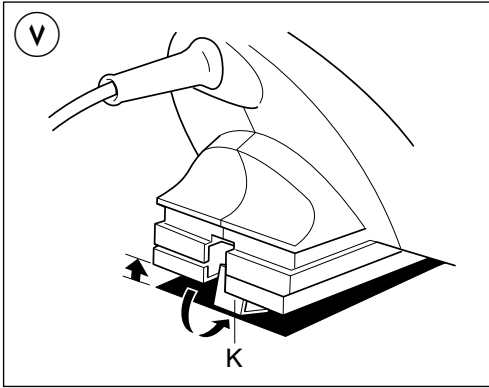
- ١) كن يقظاً وأنتبه إلى ما تفعله وقم بالعمل بواسطة العدة الكهربائية بتعقل.. لا تستخدم عدة كهربائية عندما تكون متعب أو عندما تكون تحت تأثير المخدرات أو الكحول أو الأدوية. عدم الإنتباه للحظة واحدة عند استخدام العدة الكهربائية قد يؤدي إلى إصابة خطيرة.
- ب) يجب عتاد الوقاية الخاص وإرتد دائماً نظارات واقية. يجب إرتداء عتاد الوقاية الخاص. كفتاح الوقاية من الغبار وأخذية الأمان الواقية من الإنزلاق والخوذ واقية الأذنين. حسب نوع وإستعمال العدة الكهربائية. من خطر الإصابة بجروح.
- ت) جنب التشغيل بشكل غير مقصود. تأكد من كون العدة الكهربائية مطفاة قبل وصلها بإمداد التيار الكهربائي و/ أو بالمركم، وقبل رفعها أو حملها. إن كنت تضع إصبعك على المفتاح أثناء حمل العدة الكهربائية أو إن وصلت الجهاز بالشبكة الكهربائية عندما يكون قيد التشغيل. فقد يؤدي ذلك إلى حدوث الحوادث.
- ث) انزع عدد الضبط أو مفتاح الربط قبل تشغيل العدة الكهربائية. قد تؤدي العدة أو الأوضاع المتواجد في جزء دوار من الجهاز إلى الإصابة بجروح.
- ج) جنب أوضاع الجسد غير الطبيعية. قف بأمان وحافظ على توازنك دائماً. سيسمح لك ذلك من السيطرة على الجهاز بشكل أفضل في المواقف غير المتوقعة.

- ح) ارتد ملابس مناسبة. لا ترتدي الثياب الفضفاضة أو الخلي. حافظ على إبقاء الشعر والثياب والقفايزات على بعد عن أجزاء الجهاز المتحركة. قد تتشابك الثياب الفضفاضة والخلي والشعر الطويل بالأجزاء المتحركة.
- خ) إن جاز تركيب جهاز شفط وجميع الغبار. فتأكد من أنها موصولة وبأنه يتم استخدامها بشكل سليم. قد يقلل استخدام جزيئات لتشطب الأبخرة من المخاطر الناتجة عن الأبخرة.

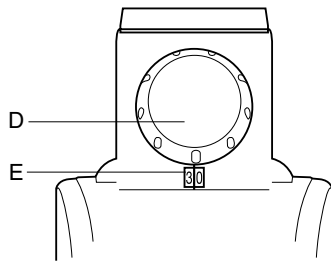
٤ حسن معاملة واستخدام العدد الكهربائي

- ١) لا تطرد في حمل الجهاز. إستخدم لتنفيذ أشغالك العدة الكهربائية المخصصة لذلك. إنك تعمل بشكل أفضل وأكثر أماناً بواسطة العدة الكهربائية اللائمه في مجال الأداة المذكور.
- ب) لا تستخدم العدة الكهربائية إن كان مفتاح تشغيلها تالف. العدة الكهربائية التي لم تعد تسمح بتشغيلها أو بإطفائها خطيرة ويجب أن يتم تصليحها.
- ت) اسحب القابيس من المقبس و/ أو انزع المركم قبل ضبط الجهاز وقبل إستبدال التوابع أو قبل وضع الجهاز جانبها. تمنع إجراءات الاحتياط هذه تشغيل العدة الكهربائية بشكل غير مقصود.
- ث) احتفظ بالعدد الكهربائي التي لا يتم إستخدامها بعيداً عن متال الأطفال. لا تسمح باستخدام العدة الكهربائية لمن لاخيرة له بها أو لمن لم يقرأ تلك التعليمات. العدد الكهربائي خطيرة إن تم استخدامها من قبل أشخاص دون خبرة.
- ج) اعتن بالعدة الكهربائية بشكل جيد. تفحص عما إذا كانت أجزاء الجهاز المتحركة تعمل بشكل سليم وبأنها غير مستعصبة عن الحركة أو إن كانت هناك أجزاء مكسورة أو تالفة لدرجة تؤثر فيها على حسن أداء العدة الكهربائية. ينبغي تصليح هذه الأجزاء التالفة قبل إعادة تشغيل الجهاز. الكثير من الحوادث مصدرها العدد الكهربائي التي تم صيانتها بشكل ردي.
- ح) حافظ على إبقاء عدد القطع نظيفة وسادة. إن عدد القطع ذات حواف القطع الحادة التي تم صيانتها بعناية تتكليس بشكل أقل ويمكن توجيهها بشكل أيسر.
- خ) استخدم العدد الكهربائي والتوابع وعدد الشغل وإلخ حسب هذه التعليمات. تراعى أثناء ذلك شروط الشغل والعمل المراد تنفيذه. استخدام العدد الكهربائي لغير الأشغال المخصصة لأجلها قد يؤدي إلى حدوث الحلات الخطيرة.
- ٥) الخدمة

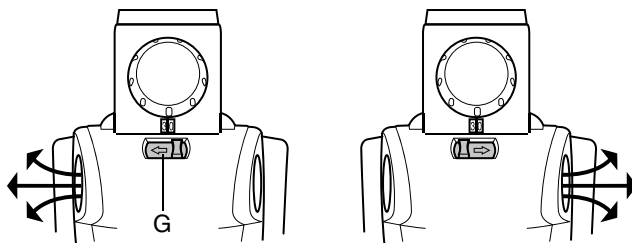
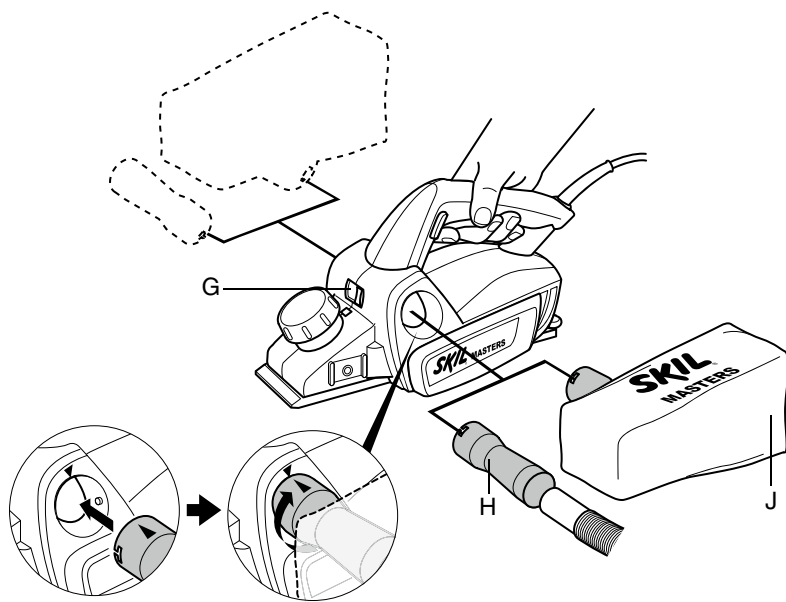
- ١) اسمح بتصليح عدتك الكهربائية فقط من قبل المتخصصين فقط وباستعمال قطع الغيار الأصلية. يؤمن ذلك المحافظة على أمان الجهاز.



5

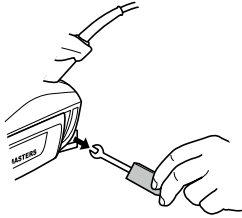


1

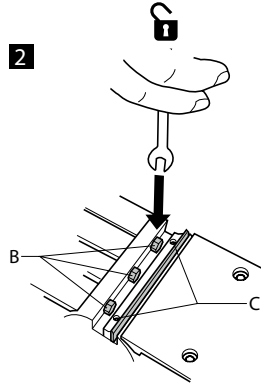


Σ

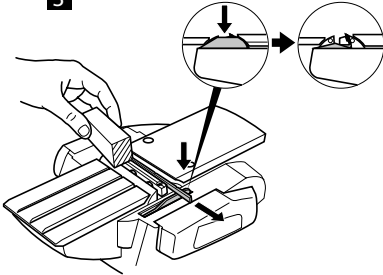
1



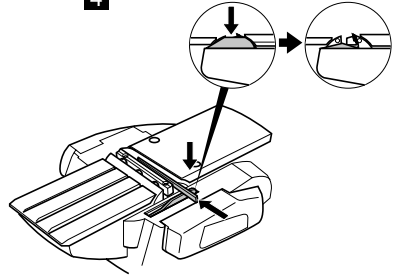
2



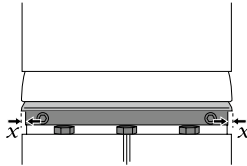
3



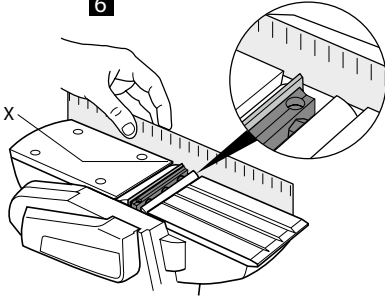
4



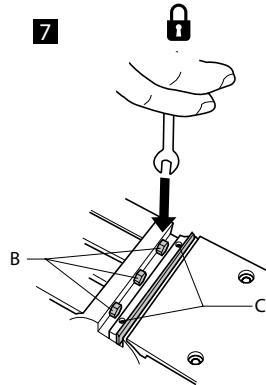
5



6



7



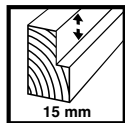
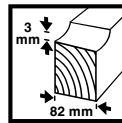
1

1570

900
Watt

EPTA 01/2003
3,7 kg

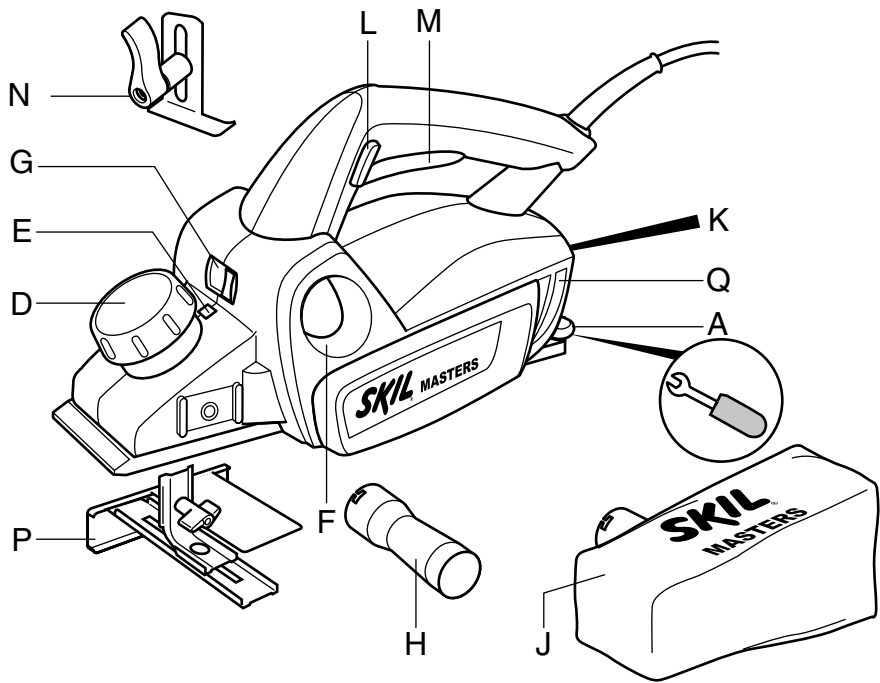
16000/min



230
240
V~
50-60 Hz

4m
RUBBER

2



3



أداة تسوية
1570

SKIL MASTERS

PROFESSIONAL POWER TOOLS



دليل الاستعمال راهنماي اصلي

AR

FA



2610Z05249

12/13

سكيل أوروبا ب.د.ق. - كونينانبرج 60
4825 ب.د. بريدا - هولندا



Сертификат о соответствии
KZ.7500052.22.01.00069
Срок действия сертификата о соответствии
по 09.07.2018
ТОО «Центр Сертификации продукции и услуг»
г. Алматы, ул Кабанбай батыра,
уг. Калдаякова 51/78

ДАТА ПРОИЗВОДСТВА