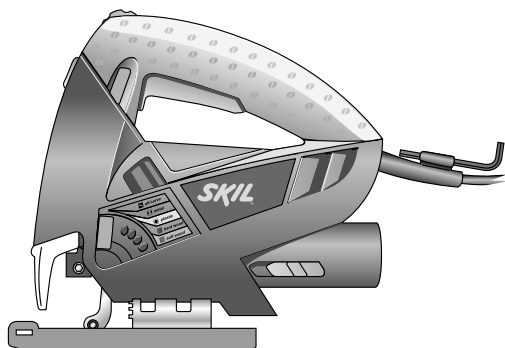


# SKIL®

## JIG SAW 4370 (F0154370..)



<b>GB</b>	ORIGINAL INSTRUCTIONS	8	<b>UA</b>	ОРИГІНАЛЬНА ІНСТРУКЦІЯ З ЕКСПЛУАТАЦІЇ	56
<b>F</b>	NOTICE ORIGINALE	10	<b>GR</b>	ΠΡΩΤΟΤΥΠΟ ΟΔΗΓΙΩΝ ΧΡΗΣΗΣ	59
<b>D</b>	ORIGINALBETRIEBSANLEITUNG	14	<b>RO</b>	INSTRUCȚIUNI DE FOLOSIRE ORIGINALE	63
<b>NL</b>	ORIGINELE GEBRUIKSAANWIJZING	17	<b>BG</b>	ОРИГИНАЛНО РЪКОВОДСТВО ЗА ЕКСПЛОАТАЦИЯ	66
<b>S</b>	BRUKSANVISNING I ORIGINAL	20	<b>SK</b>	PŮVODNÝ NÁVOD NA POUŽITIE	70
<b>DK</b>	ORIGINAL BRUGSANVISNING	23	<b>HR</b>	ORIGINALNE UPUTE ZA RAD	73
<b>N</b>	ORIGINAL BRUKSANVISNING	25	<b>SRB</b>	ORIGINALNO UPUTSTVO ZA RAD	75
<b>FIN</b>	ALKUPERÄISET OHJEET	28	<b>SLO</b>	IZVIRNA NAVODILA	78
<b>E</b>	MANUAL ORIGINAL	31	<b>EST</b>	ALGUPÄRANE KASUTUSJUHEND	81
<b>P</b>	MANUAL ORIGINAL	34	<b>LV</b>	ORIĢINĀLĀ LIETOŠANAS PAMĀCĪBA	84
<b>I</b>	ISTRUZIONI ORIGINALI	37	<b>LT</b>	ORIGINALI INSTRUKCIJA	87
<b>H</b>	EREDETI HASZNÁLATI UTASÍTÁS	40	<b>MK</b>	ИЗБОРНО УПАТСТВО ЗА РАБОТА	90
<b>CZ</b>	PŮVODNÍM NÁVODEM K POUŽÍVÁNÍ	44	<b>AL</b>	UDHËZIMET ORIGINALE	93
<b>TR</b>	ORİJİNAL İŞLETME TALİMATI	46	<b>AR</b>	دليل الاستعمال	101
<b>PL</b>	INSTRUKCJA ORYGINALNA	49	<b>FA</b>	راهنمای اصلی	99
<b>RU</b>	ПОДЛИННИК РУКОВОДСТВА ПО ЭКСПЛУАТАЦИИ	52			



1 4370

550  
Watt

2,1 kg  
EPTA 01/2003

75 mm

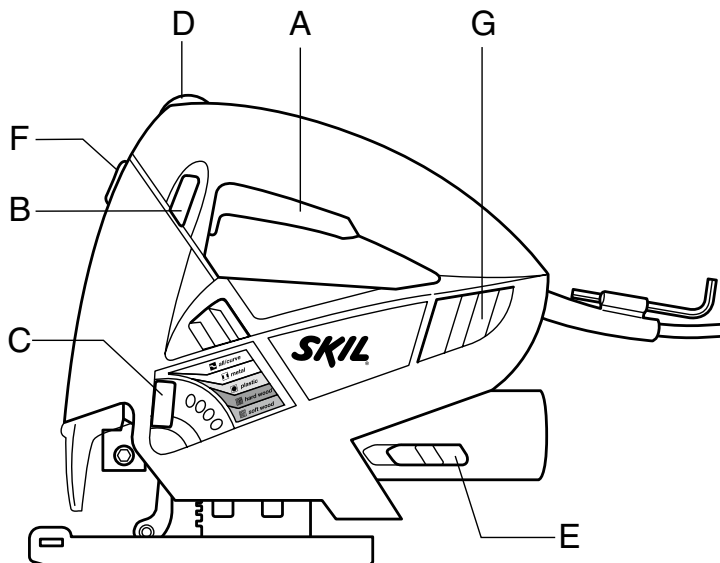
Alu  
12 mm

Fe  
4 mm

800-3000  
p/min

230  
240  
V~  
50-60 Hz

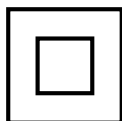
2



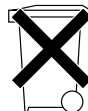
3



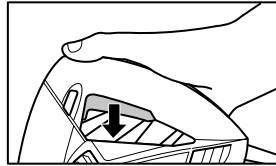
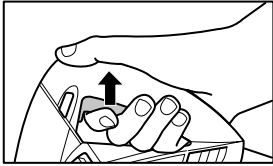
4



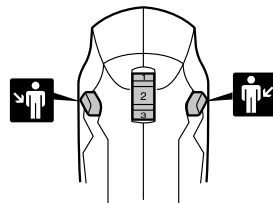
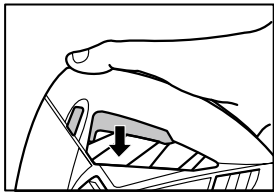
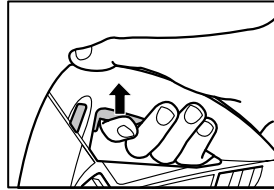
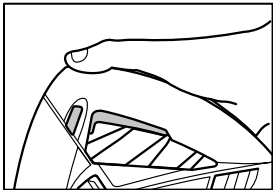
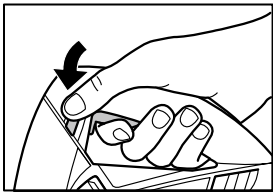
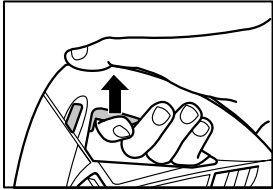
5



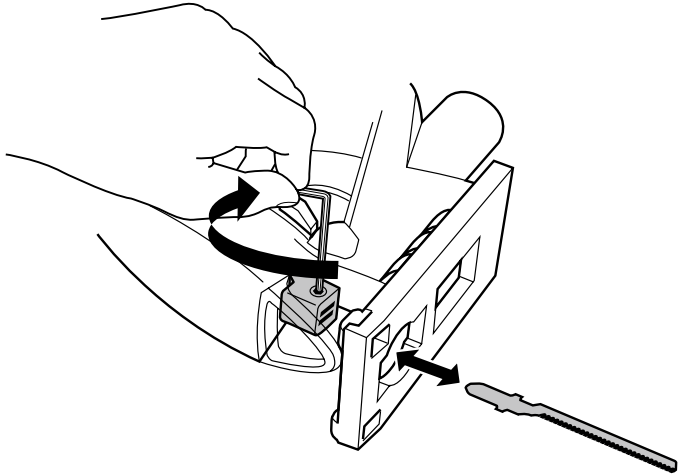
6



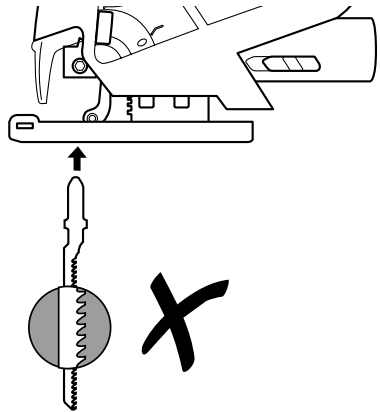
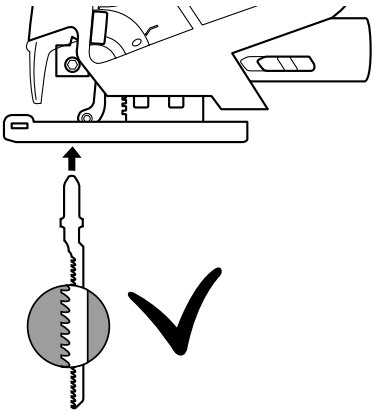
7



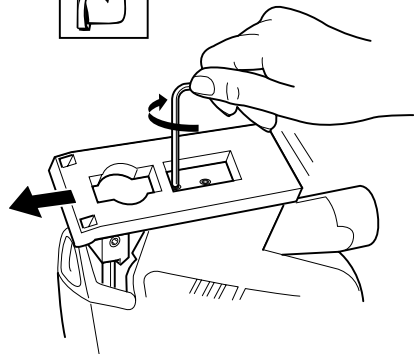
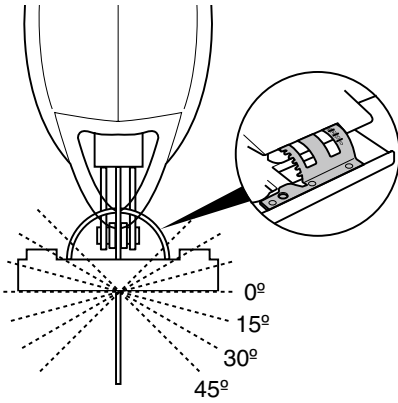
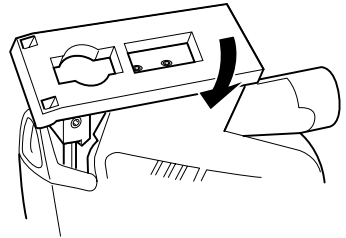
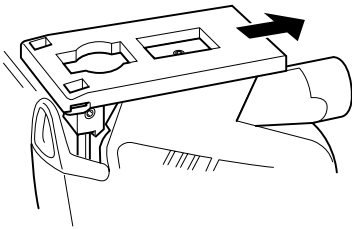
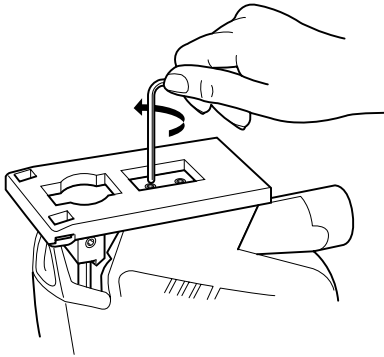
8



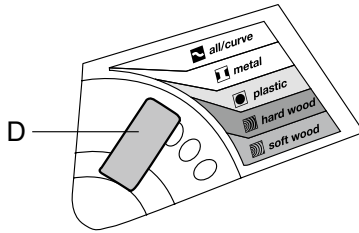
9



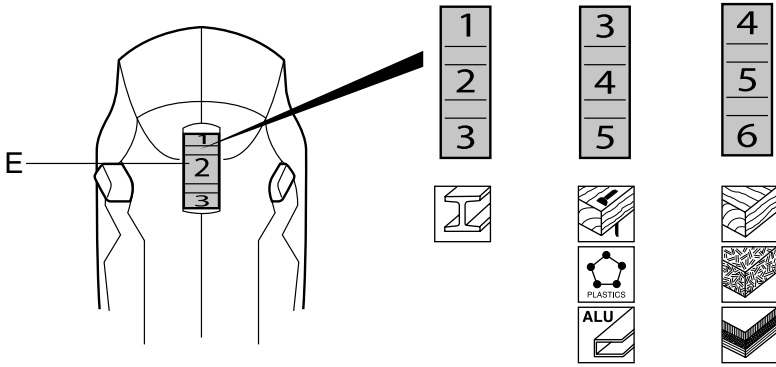
10



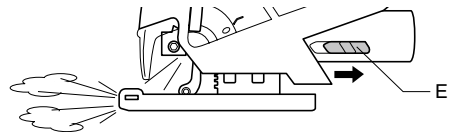
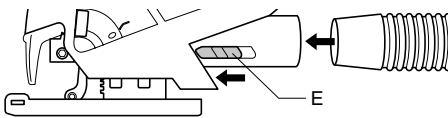
11

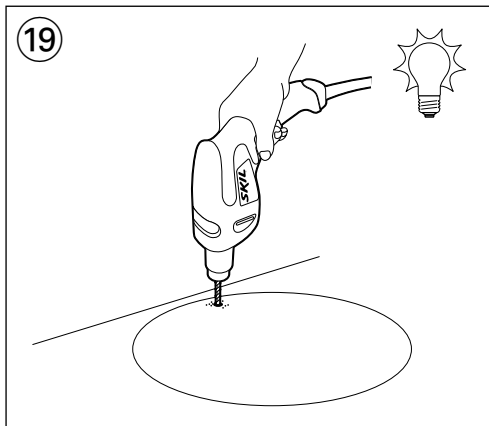
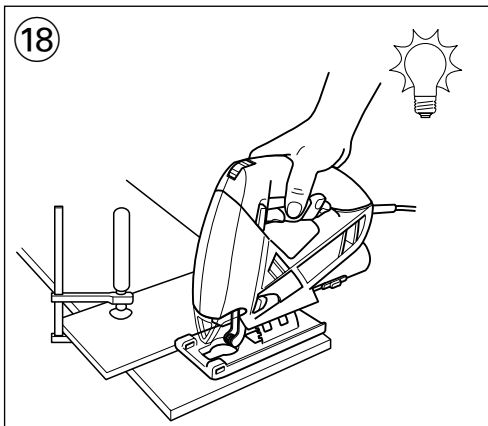
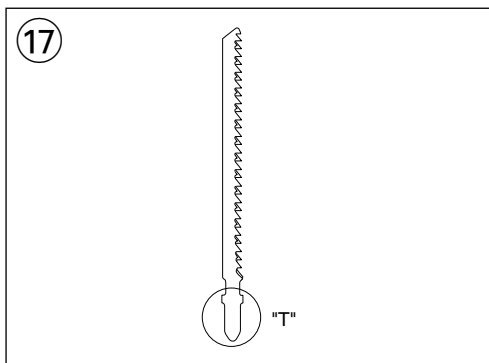
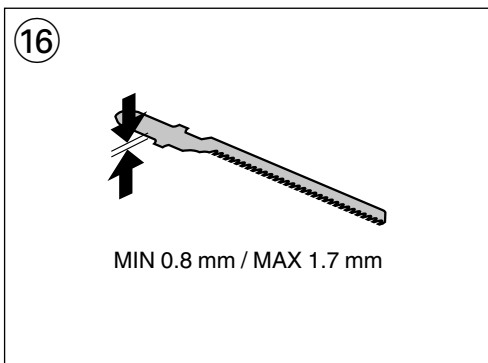
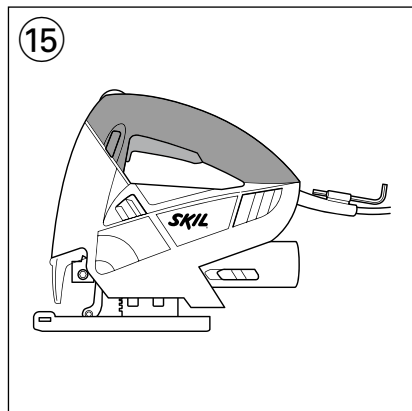
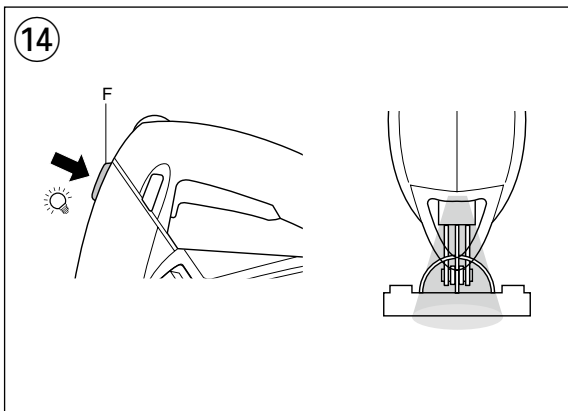


12



13





ACCESSORIES



WWW.SKIL.COM

## Jig saw

4370

### INTRODUCTION

- This tool is intended for making cut-throughs and cut-outs in wood, plastic, metal, ceramic plates and rubber, and is suitable for straight and curved cuts at 0° or 45°
- The light of this power tool is intended to illuminate the power tool's direct area of working operation and is not suitable for household room illumination
- This tool is not intended for professional use
- Read and save this instruction manual ③

### TECHNICAL DATA ①

#### TOOL ELEMENTS ②

- A Switch for on/off
- B Button for switch locking
- C Lever for selecting sawing mode
- D Wheel for adjusting sawing speed
- E Switch for dust blowing
- F Spot light
- G Ventilation slots

### SAFETY

#### GENERAL SAFETY INSTRUCTIONS

**⚠ WARNING! Read all safety warnings and all instructions.** Failure to follow the warnings and instructions may result in electric shock, fire and/or serious injury. **Save all warnings and instructions for future reference.** The term "power tool" in the warnings refers to your mains-operated (corded) power tool or battery-operated (cordless) power tool.

#### 1) WORK AREA SAFETY

- a) **Keep work area clean and well lit.** Cluttered or dark areas invite accidents.
- b) **Do not operate power tools in explosive atmospheres, such as in the presence of flammable liquids, gases or dust.** Power tools create sparks which may ignite the dust or fumes.
- c) **Keep children and bystanders away while operating a power tool.** Distractions can cause you to lose control.

#### 2) ELECTRICAL SAFETY

- a) **Power tool plugs must match the outlet. Never modify the plug in any way. Do not use any adapter plugs with earthed (grounded) power tools.** Unmodified plugs and matching outlets will reduce risk of electric shock.
- b) **Avoid body contact with earthed or grounded surfaces such as pipes, radiators, ranges and refrigerators.** There is an increased risk of electric shock if your body is earthed or grounded.
- c) **Do not expose power tools to rain or wet conditions.** Water entering a power tool will increase the risk of electric shock.

- d) **Do not abuse the cord. Never use the cord for carrying, pulling or unplugging the power tool. Keep cord away from heat, oil, sharp edges or moving parts.** Damaged or entangled cords increase the risk of electric shock.
- e) **When operating a power tool outdoors, use an extension cord suitable for outdoor use.** Use of a cord suitable for outdoor use reduces the risk of electric shock.
- f) **If operating a power tool in a damp location is unavoidable, use a residual current device (RCD) protected supply.** Use of an RCD reduces the risk of electric shock.

#### 3) PERSONAL SAFETY

- a) **Stay alert, watch what you are doing and use common sense when operating a power tool. Do not use a power tool while you are tired or under the influence of drugs, alcohol or medication.** A moment of inattention while operating power tools may result in serious personal injury.
  - b) **Use personal protective equipment. Always wear eye protection.** Protective equipment such as dust mask, non-skid safety shoes, hard hat, or hearing protection used for appropriate conditions will reduce personal injuries.
  - c) **Prevent unintentional starting. Ensure the switch is in the off-position before connecting to power source and/or battery pack, picking up or carrying the tool.** Carrying power tools with your finger on the switch or energising power tools that have the switch on invites accidents.
  - d) **Remove any adjusting key or wrench before turning the power tool on.** A wrench or a key left attached to a rotating part of the power tool may result in personal injury.
  - e) **Do not overreach. Keep proper footing and balance at all times.** This enables better control of the power tool in unexpected situations.
  - f) **Dress properly. Do not wear loose clothing or jewelry. Keep your hair, clothing and gloves away from moving parts.** Loose clothes, jewelry or long hair can be caught in moving parts.
  - g) **If devices are provided for the connection of dust extraction and collection facilities, ensure these are connected and properly used.** Use of dust collection can reduce dust-related hazards.
- #### 4) POWER TOOL USE AND CARE
- a) **Do not force the power tool. Use the correct power tool for your application.** The correct power tool will do the job better and safer at the rate for which it was designed.
  - b) **Do not use the power tool if the switch does not turn it on and off.** Any power tool that cannot be controlled with the switch is dangerous and must be repaired.
  - c) **Disconnect the plug from the power source and/or the battery pack from the power tool before making any adjustments, changing accessories, or storing power tools.** Such preventive safety measures reduce the risk of starting the power tool accidentally.
  - d) **Store idle power tools out of the reach of children and do not allow persons unfamiliar with the power tool or these instructions to operate the power tool.**



Power tools are dangerous in the hands of untrained users.

- e) **Maintain power tools. Check for misalignment or binding of moving parts, breakage of parts and any other condition that may affect the power tool's operation. If damaged, have the power tool repaired before use.** Many accidents are caused by poorly maintained power tools.
  - f) **Keep cutting tools sharp and clean.** Properly maintained cutting tools with sharp cutting edges are less likely to bind and are easier to control.
  - g) **Use the power tool, accessories and tool bits etc., in accordance with these instructions, taking into account the working conditions and the work to be performed.** Use of the power tool for operations different from those intended could result in a hazardous situation.
- 5) SERVICE**
- a) **Have your power tool serviced by a qualified repair person using only identical replacement parts.** This will ensure that the safety of the power tool is maintained.

## SAFETY INSTRUCTIONS FOR JIG SAWS

### GENERAL

- Always check that the supply voltage is the same as the voltage indicated on the nameplate of the tool (tools with a rating of 230V or 240V can also be connected to a 220V supply)
- Check the functioning of the tool before each use and, in case of a defect, have it repaired immediately by a qualified person; never open the tool yourself
- **Do not work materials containing asbestos** (asbestos is considered carcinogenic)
- This tool should not be used by people under the age of 16 years
- The noise level when working can exceed 85 dB(A); wear ear protection
- Wear protective goggles when working with materials which produce chips
- Dust from material such as paint containing lead, some wood species, minerals and metal may be harmful (contact with or inhalation of the dust may cause allergic reactions and/or respiratory diseases to the operator or bystanders); **wear a dust mask and work with a dust extraction device when connectable**
- Certain kinds of dust are classified as carcinogenic (such as oak and beech dust) especially in conjunction with additives for wood conditioning; **wear a dust mask and work with a dust extraction device when connectable**
- Follow the dust-related national requirements for the materials you want to work with
- Use completely unrolled and safe extension cords with a capacity of 16 Amps (U.K. 13 Amps)
- **Always disconnect plug from power source before making any adjustment or changing any accessory**

### BEFORE USE

- Remove all obstacles on top of as well as underneath the cutting path before you start cutting
- Avoid damage that can be caused by screws, nails and other elements in your workpiece; remove them before you start working

- **Secure the workpiece** (a workpiece clamped with clamping devices or in a vice is held more securely than by hand)

### DURING USE

- **Hold power tool by insulated gripping surfaces, when performing an operation where the cutting accessory may contact hidden wiring or its own cord** (a cutting accessory contacting a "live" wire may make exposed metal parts of the power tool "live" and could give the operator an electric shock)
- Always keep the cord away from moving parts of the tool; direct the cord to the rear, away from the tool
- If the cord is damaged or cut through while working, do not touch the cord, but immediately disconnect the plug
- Never use the tool when cord is damaged; have it replaced by a qualified person
- In case of electrical or mechanical malfunction, immediately switch off the tool and disconnect the plug
- Keep hands away from the saw blade while the tool is in use

### ACCESSORIES

- SKIL can assure flawless functioning of the tool only when original accessories are used
- Do not use a saw blade which is cracked, deformed or dull

### OUTDOOR USE

- When used outdoors, connect the tool via a fault current (FI) circuit breaker with a triggering current of 30 mA maximum, and only use an extension cord which is intended for outdoor use and equipped with a splashproof coupling-socket

### AFTER USE

- When you put away the tool, switch off the motor and ensure that all moving parts have come to a complete standstill

### EXPLANATION OF SYMBOLS ON TOOL

- ③ Read the instruction manual before use
- ④ Double insulation (no earth wire required)
- ⑤ Do not dispose of the tool together with household waste material

### WHEN CONNECTING NEW 3-PIN PLUG (U.K. ONLY):

- Do not connect the blue (= neutral) or brown (= live) wire in the cord of this tool to the earth terminal of the plug
- If for any reason the old plug is cut off the cord of this tool, it must be disposed of safely and not left unattended

## USE

- On/off ⑥
- Switch locking for continuous use ⑦
- Changing saw blades ⑧
- ! **insert blade to full depth with teeth facing forward** ⑨
- Sawing at 45° ⑩
- for best results select "all/curve" sawing mode
- ! **ensure that footplate rests flat against tool housing** ⑩a or ⑩b
- Selecting sawing mode ⑪
- 1 setting ("all/curve") for accurate cutting in all materials, straight + curved

- 4 settings for fast cutting in different materials, straight cuts only
  - grey = metal
  - blue = plastic
  - brown = hard wood
  - green = soft wood
- ! **always select “all-curve” when sawing splinter-sensitive material**
- Adjusting sawing speed to material used ⑫
  - ! **if the tool does not run with wheel D in position 1, select a higher sawing speed and lower the sawing speed while the tool runs**
- Dust suction ⑬a
  - ! **do not use vacuum cleaner when cutting metal**
- Dust blowing ⑬b
- Spot light ⑭
- Operating the tool
  - before switching on the tool, ensure that front end of footplate rests flat on the workpiece
  - hold tool firmly with both hands, so you will have full control of the tool at all times
  - ! **while working, always hold the tool at the grey-coloured grip area(s) ⑮**
  - ensure that complete surface of footplate rests firmly on the workpiece
  - ! **ensure that the blade has come to a complete standstill, before you lift the tool from the workpiece**
  - keep ventilation slots G ② uncovered

## APPLICATION ADVICE

- Use the appropriate saw blades ⑯
  - ! **use T-shank blades only ⑰**
- When cutting metals, lubricate saw blade regularly with oil
- For an accurate straight cut, guide tool with footplate along the edge of a straight piece of wood ⑱
- Pre-drill a hole before making cut-outs ⑲
- Splinter-free cutting
  - cover cutting-line with several layers of wide tape before cutting
  - always face the good side of the workpiece down
- For more tips see [www.skil.com](http://www.skil.com)

## MAINTENANCE / SERVICE

- This tool is not intended for professional use
- Always keep tool and cord clean (especially ventilation slots G ②)
- ! **disconnect the plug before cleaning**
- If the tool should fail despite the care taken in manufacturing and testing procedures, repair should be carried out by an after-sales service centre for SKIL power tools
  - send the tool **undismantled** together with proof of purchase to your dealer or the nearest SKIL service station (addresses as well as the service diagram of the tool are listed on [www.skil.com](http://www.skil.com))

## ENVIRONMENT

- **Do not dispose of electric tools, accessories and packaging together with household waste material** (only for EU countries)
  - in observance of European Directive 2012/19/EC on waste of electric and electronic equipment and its implementation in accordance with national law, electric tools that have reached the end of their life must be collected separately and returned to an environmentally compatible recycling facility
  - symbol ⑤ will remind you of this when the need for disposing occurs

## NOISE/VIBRATION

- Measured in accordance with EN 60745 the sound pressure level of this tool is 90 dB(A) and the sound power level 101 dB(A) (standard deviation: 3 dB), and the vibration \* (triax vector sum; uncertainty K = 1.5 m/s<sup>2</sup>)
  - \* when cutting wood 8.8 m/s<sup>2</sup>
  - \* when cutting metal 13.3 m/s<sup>2</sup>
- The vibration emission level has been measured in accordance with a standardised test given in EN 60745; it may be used to compare one tool with another and as a preliminary assessment of exposure to vibration when using the tool for the applications mentioned
  - using the tool for different applications, or with different or poorly maintained accessories, may significantly **increase** the exposure level
  - the times when the tool is switched off or when it is running but not actually doing the job, may significantly **reduce** the exposure level
- ! **protect yourself against the effects of vibration by maintaining the tool and its accessories, keeping your hands warm, and organizing your work patterns**

F

## Scie sauteuse

4370

## INTRODUCTION

- Cet outil est conçu pour effectuer des découpes et coupes dans le bois, les matières plastiques, le métal, les plaques en céramique et le caoutchouc, et est approprié pour des coupes droites et curvilignes à 0° ou 45°
- L'éclairage de cet outil électroportatif est destiné à éclairer l'espace de travail de l'outil; il n'est pas conçu pour servir de source d'éclairage ambiant dans une pièce
- Cet outil n'est conçu pour un usage professionnel
- Lisez et conservez ce manuel d'instruction ③

## CARACTERISTIQUES TECHNIQUES ①

### ELEMENTS DE L'OUTIL ②

- A Interrupteur pour mise en marche/arrêt
- B Bouton de blocage de l'interrupteur
- C Levier de sélection de mode de coupe
- D Molette de réglage de la vitesse de sciage
- E Interrupteur de soufflerie de poussières

- F Lampe
- G Fentes de ventilation

## SECURITE

### INSTRUCTIONS GENERALES DE SECURITE

**⚠ ATTENTION! Lisez tous les avertissements de sécurité et toutes les instructions.** Ne pas suivre les avertissements et instructions peut entraîner un choc électrique, un incendie et/ou de graves blessures sur les personnes. **Conservez tous les avertissements et toutes les instructions pour pouvoir s'y reporter ultérieurement.** La notion d'"outil électroportatif" dans les avertissements se rapporte à des outils électriques raccordés au secteur (avec câble de raccordement) et à des outils électriques à batterie (sans câble de raccordement).

#### 1) SECURITE DE LA ZONE DE TRAVAIL

- a) **Maintenez l'endroit de travail propre et bien éclairé.** Un lieu de travail en désordre ou mal éclairé augmente le risque d'accidents.
- b) **N'utilisez pas l'appareil dans un environnement présentant des risques d'explosion et où se trouvent des liquides, des gaz ou poussières inflammables.** Les outils électroportatifs génèrent des étincelles risquant d'enflammer les poussières ou les vapeurs.
- c) **Tenez les enfants et autres personnes éloignés durant l'utilisation de l'outil électroportatif.** En cas d'inattention vous risquez de perdre le contrôle sur l'appareil.

#### 2) SECURITE RELATIVE AU SYSTEME ELECTRIQUE

- a) **La fiche de secteur de l'outil électroportatif doit être appropriée à la prise de courant. Ne modifiez en aucun cas la fiche. N'utilisez pas de fiches d'adaptateur avec des appareils avec mise à la terre.** Les fiches non modifiées et les prises de courant appropriées réduisent le risque de choc électrique.
- b) **Évitez le contact physique avec des surfaces mises à la terre telles que tuyaux, radiateurs, fours et réfrigérateurs.** Il y a un risque élevé de choc électrique au cas où votre corps serait relié à la terre.
- c) **N'exposez pas l'outil électroportatif à la pluie ou à l'humidité.** La pénétration d'eau dans un outil électroportatif augmente le risque d'un choc électrique.
- d) **N'utilisez pas le câble à d'autres fins que celles prévues, n'utilisez pas le câble pour porter l'appareil ou pour l'accrocher ou encore pour le débrancher de la prise de courant. Maintenez le câble éloigné des sources de chaleur, des parties grasses, des bords tranchants ou des parties de l'appareil en rotation.** Un câble endommagé ou torsadé augmente le risque d'un choc électrique.
- e) **Au cas où vous utiliseriez l'outil électroportatif à l'extérieur, utilisez une rallonge autorisée homologuée pour les applications extérieures.** L'utilisation d'une rallonge électrique homologuée pour les applications extérieures réduit le risque d'un choc électrique.

- f) **Si l'usage d'un outil dans un emplacement humide est inévitable, utilisez un disjoncteur de fuite à la terre.** L'utilisation d'un disjoncteur de fuite à la terre réduit le risque de choc électrique.

#### 3) SECURITE DES PERSONNES

- a) **Restez vigilant, surveillez ce que vous faites. Faites preuve de bon sens en utilisant l'outil électroportatif. N'utilisez pas l'appareil lorsque vous êtes fatigué ou après avoir consommé de l'alcool, des drogues ou avoir pris des médicaments.** Un moment d'inattention lors de l'utilisation de l'appareil peut entraîner de graves blessures sur les personnes.
  - b) **Portez des équipements de protection. Portez toujours des lunettes de protection.** Le fait de porter des équipements de protection personnels tels que masque anti-poussières, chaussures de sécurité antidérapantes, casque de protection ou protection acoustique suivant le travail à effectuer, réduit le risque de blessures.
  - c) **Évitez tout démarrage intempestif. S'assurez que l'interrupteur est en position arrêté avant de brancher l'outil au secteur et/ou au bloc de batteries, de le ramasser ou de le porter.** Porter les outils en ayant le doigt sur l'interrupteur ou brancher des outils dont l'interrupteur est en position marche est source d'accidents.
  - d) **Enlevez tout outil de réglage ou toute clé avant de mettre l'appareil en fonctionnement.** Une clé ou un outil se trouvant sur une partie en rotation peut causer des blessures.
  - e) **Ne surestimez pas vos capacités. Veillez à garder toujours une position stable et équilibrée.** Ceci vous permet de mieux contrôler l'appareil dans des situations inattendues.
  - f) **Portez des vêtements appropriés. Ne portez pas de vêtements amples ni de bijoux. Maintenez cheveux, vêtements et gants éloignés des parties de l'appareil en rotation.** Des vêtements amples, des bijoux ou des cheveux longs peuvent être happés par des pièces en mouvement.
  - g) **Si des dispositifs servant à aspirer ou à recueillir les poussières doivent être utilisés, vérifiez que ceux-ci soient effectivement raccordés et qu'ils sont correctement utilisés.** L'utilisation des collecteurs de poussière réduit les dangers dus aux poussières.
- #### 4) UTILISATION ET EMPLOI SOIGNEUX DE L'OUTIL ELECTROPORTATIF
- a) **Ne surchargez pas l'appareil. Utilisez l'outil électroportatif approprié au travail à effectuer.** Avec l'outil électroportatif approprié, vous travaillerez mieux et avec plus de sécurité à la vitesse pour laquelle il est prévu.
  - b) **N'utilisez pas un outil électroportatif dont l'interrupteur est défectueux.** Un outil électroportatif qui ne peut plus être mis en ou hors fonctionnement est dangereux et doit être réparé.
  - c) **Débranchez la fiche de la source d'alimentation en courant et/ou le bloc de batteries de l'outil avant tout réglage, changement d'accessoires ou avant de ranger l'outil.** Cette mesure de précaution empêche une mise en fonctionnement par mégarde.

- d) **Gardez les outils électroportatifs non utilisés hors de portée des enfants. Ne permettez pas l'utilisation de l'appareil à des personnes qui ne se sont pas familiarisées avec celui-ci ou qui n'ont pas lu ces instructions.** Les outils électroportatifs sont dangereux lorsqu'ils sont utilisés par des personnes non initiées.
- e) **Prenez soin des outils électroportatifs. Vérifiez que les parties en mouvement fonctionnent correctement et qu'elles ne soient pas coincées, et contrôlez si des parties sont cassées ou endommagées de telle sorte que le bon fonctionnement de l'appareil s'en trouve entravé. Faites réparer les parties endommagées avant d'utiliser l'appareil.** De nombreux accidents sont dus à des outils électroportatifs mal entretenus.
- f) **Maintenez les outils de coupe aiguisés et propres.** Des outils soigneusement entretenus avec des bords tranchants bien aiguisés se coincent moins souvent et peuvent être guidés plus facilement.
- g) **Utilisez les outils électroportatifs, les accessoires, les outils à monter etc. conformément à ces instructions. Tenez compte également des conditions de travail et du travail à effectuer.** L'utilisation des outils électroportatifs à d'autres fins que celles prévues peut entraîner des situations dangereuses.

## 5) SERVICE

- a) **Ne faites réparer votre outil électroportatif que par un personnel qualifié et seulement avec des pièces de rechange d'origine.** Ceci permet d'assurer la sécurité de l'appareil.

## INSTRUCTIONS DE SECURITE POUR SCIES SAUTEUSES

### GENERALITES

- Contrôlez toujours si la tension secteur correspond à la tension indiquée sur la plaquette signalétique de l'outil (les outils conçus pour une tension de 230V ou 240V peuvent également être branchés sur 220V)
- Contrôlez le fonctionnement de l'outil avant chaque manipulation et, en cas d'anomalies, faites réparer immédiatement par une personne qualifiée; ne jamais ouvrez l'outil soi-même
- **Ne travaillez pas de matériaux contenant de l'amiante** (l'amiante est considérée comme étant cancérigène)
- Cet outil ne doit pas être utilisé par des personnes de moins de 16 ans
- Le niveau sonore en fonctionnement peut dépasser 85 dB(A); munissez-vous de casques anti-bruit
- Portez des lunettes protectrices lors de travaux sur des pièces productrices de copeaux
- La poussière de matériaux, tels que la peinture contenant du plomb, certaines espèces de bois, certains minéraux et différents métaux, peut être nocive (le contact avec la poussière ou son inhalation peut provoquer des réactions allergiques et/ou des maladies respiratoires chez l'opérateur ou des personnes se trouvant à proximité); **portez un masque antipoussières et travaillez avec un appareil de dépoussiérage lorsqu'il est possible d'en connecter un**

- Certains types de poussières sont classifiés comme étant cancérigènes (tels que la poussière de chêne ou de hêtre), en particulier en combinaison avec des additifs de traitement du bois; **portez un masque antipoussières et travaillez avec un appareil de dépoussiérage lorsqu'il est possible d'en connecter un**
- Suivez les directives nationales relatives au dépoussiérage pour les matériaux à travailler
- Utilisez un câble de prolongement complètement déroulé et de bonne qualité d'une capacité de 16 A
- **Débranchez toujours l'outil avant tout réglage ou changement d'accessoire**

### AVANT L'USAGE

- Enlevez tout corps étranger du tracé avant d'effectuer toute coupe
- Faites attention aux vis, clous ou autres éléments qui pourraient se trouver dans la pièce à travailler et qui risqueraient d'endommager très fortement votre outil; enlevez-les avant de commencer le travail
- **Fixez solidement la pièce à travailler** (une pièce fixée à l'aide de dispositifs de fixation est davantage assurée que si elle était tenue à la main)

### PENDANT L'USAGE

- **Tenez l'outil par les surfaces de préhension isolées, lors de la réalisation d'une opération au cours de laquelle l'accessoire de coupe peut entrer en contact avec un câblage non apparent ou son propre câble d'alimentation** (le contact avec un fil sous tension peut également mettre sous tension les parties métalliques de l'outil électrique et provoquer un choc électrique sur l'opérateur)
- Tenez toujours le câble éloigné des parties mobiles de l'outil; orientez le câble vers l'arrière le plus loin possible de l'outil
- Si le câble est endommagé ou rompu pendant le travail, n'y touchez pas, mais débranchez immédiatement la prise
- N'utilisez jamais d'outil avec un câble endommagé; faites-le remplacer par un technicien qualifié
- En cas de dysfonctionnement électrique ou mécanique, mettez directement l'outil hors service et débranchez la fiche
- Evitez de laisser les mains près de la lame de scie lorsque l'outil est en marche

### ACCESSOIRES

- SKIL ne peut se porter garant du bon fonctionnement de cet outil que s'il a été utilisé avec les accessoires d'origine
- Ne pas utiliser une lame fendue, déformée ou émoussée

### UTILISATION A L'EXTERIEUR

- En cas d'usage à l'extérieur, branchez l'outil par l'intermédiaire d'un coupe-circuit (FI) avec courant de réaction de 30 mA au maximum, et utilisez uniquement un câble de prolongement spécial pour l'extérieur équipé d'une prise résistant aux éclaboussures

### APRES L'USAGE

- Lorsque vous rangez votre outil, le moteur doit être coupé et les pièces mobiles complètement arrêtées

### EXPLICATION DES SYMBOLES SUR L'OUTIL

- ③ Veuillez lire le mode d'emploi avant d'utiliser l'outil
- ④ Double-isolation (ne nécessite pas de mise à la terre)
- ⑤ Ne jetez pas l'outil dans les ordures ménagères

## UTILISATION

- Marche/arrêt ⑥
- Blocage de l'interrupteur pour marche continue ⑦
- Changement des lames de scie ⑧
- ! **insérez la lame à fond, les dents vers l'avant ⑨**
- Sciage à 45° ⑩
- pour le meilleur résultat, sélectionnez la fonction de sciage "all/curve"
- ! **s'assurez que la semelle soit bien à plat sur le boîtier de l'outil (⑩a ou ⑩b)**
- Sélection du mode de coupe ⑪
- 1 position ("all/curve") pour une coupe précise dans tous matériaux, droite + curviligne
- 4 positions pour une coupe rapide dans des matériaux différents, seulement droite
  - gris = métal
  - bleu = plastique
  - brun = bois dur
  - vert = bois tendre
- ! **toujours sélectionnez "all/curve" quand vous coupez des matériaux susceptibles voler en éclats**
- Réglage de la vitesse de sciage en fonction du matériel à utiliser ⑫
- ! **si l'outil ne marche pas avec la molette D en position 1, sélectionnez une vitesse de sciage plus élevée et ensuite une vitesse plus basse pendant que l'outil marche**
- Aspiration de poussières ⑬a
- ! **ne pas utiliser l'aspirateur quand vous coupez des métaux**
- Soufflerie de poussières ⑬b
- Lampe ⑭
- Utilisation de l'outil
  - avant de mettre l'outil en marche, toujours s'assurez que le devant de la semelle soit bien à plat sur la pièce à travailler
  - tenez l'outil fermement dans les deux mains pour obtenir pleinement le contrôle de celui-ci
  - ! **lorsque vous travaillez, tenez toujours l'outil par la(les) zone(s) de couleur grise ⑮**
  - s'assurez que toute la surface de la semelle repose bien sur la pièce à travailler
  - ! **avant de retirer l'outil de la pièce à travailler, s'assurez que la lame se soit bien stabilisée**
  - veillez à ce que les fentes de ventilation G ② soient découvertes

## CONSEILS D'UTILISATION

- Utilisez les lames de scie appropriées ⑮
- ! **utilisez uniquement les lames avec queue en T ⑰**
- Quand vous coupez des métaux, lubrifiez régulièrement la lame de scie de lubrifiant
- Pour effectuer une coupe droite précise, guidez l'outil avec la plaque de base le long du côté d'un morceau de bois rectiligne ⑱
- Faites un avant-trou avant d'effectuer des découpes ⑲
- Couper sans éclats
  - couvrez la ligne de coupe des plusieurs couches d'un large ruban adhésif avant d'effectuer la coupe
  - toujours inversez la partie visible de la pièce à travailler

- Pour des suggestions complémentaires voyez [www.skil.com](http://www.skil.com)

## ENTRETIEN / SERVICE APRES-VENTE

- Cet outil n'est pas conçu pour un usage professionnel
- Gardez toujours votre outil et le câble propres (spécialement les aérations G ②)
- ! **débranchez la fiche avant le nettoyage**
- Si, malgré tous les soins apportés à la fabrication et au contrôle de l'outil, celui-ci devait avoir un défaut, la réparation ne doit être confiée qu'à une station de service après-vente agréée pour outillage SKIL
  - retournez l'outil **non démonté** avec votre preuve d'achat au revendeur ou au centre de service après-vente SKIL le plus proche (les adresses ainsi que la vue éclatée de l'outil figurent sur [www.skil.com](http://www.skil.com))

## ENVIRONNEMENT

- **Ne jetez pas les outils électriques, les accessoires et l'emballage dans les ordures ménagères** (pour les pays européens uniquement)
  - conformément à la directive européenne 2012/19/EG relative aux déchets d'équipements électriques ou électroniques, et à sa transposition dans la législation nationale, les outils électriques usés doivent être collectés séparément et faire l'objet d'un recyclage respectueux de l'environnement
  - le symbole ⑤ vous le rappellera au moment de la mise au rebut de l'outil



## BRUIT/VIBRATION

- Mesuré selon EN 60745 le niveau de la pression sonore de cet outil est 90 dB(A) et le niveau de la puissance sonore 101 dB(A) (déviations standard: 3 dB), et la vibration \* (somme vectorielle des trois axes directionnels; incertitude  $K = 1,5 \text{ m/s}^2$ )
  - \* pendant le coupage du bois 8,8  $\text{m/s}^2$
  - \* pendant le coupage du métal 13,3  $\text{m/s}^2$
- Le niveau de vibrations émises a été mesuré conformément à l'essai normalisé de la norme EN 60745; il peut être utilisé pour comparer plusieurs outils et pour réaliser une évaluation préliminaire de l'exposition aux vibrations lors de l'utilisation de l'outil pour les applications mentionnées
  - l'utilisation de l'outil dans d'autres applications, ou avec des accessoires différents ou mal entretenus, peut considérablement **augmenter** le niveau d'exposition
  - la mise hors tension de l'outil et sa non-utilisation pendant qu'il est allumé peuvent considérablement **réduire** le niveau d'exposition
- ! **protégez-vous contre les effets des vibrations par un entretien correct de l'outil et de ses accessoires, en gardant vos mains chaudes et en structurant vos schémas de travail**

## Stichsäge

4370

### EINLEITUNG

- Dieses Werkzeug ist bestimmt Trennschnitte und Ausschnitte in Holz, Kunststoff, Metall, Keramikplatten und Gummi auszuführen, und ist geeignet für gerade und kurvige Schnitte bei 0° oder 45°
- Das Licht dieses Elektrowerkzeuges ist dazu bestimmt, den direkten Arbeitsbereich des Elektrowerkzeuges zu beleuchten und ist nicht geeignet zur Raumbelichtung im Haushalt
- Dieses Werkzeug eignet sich nicht für den professionellen Einsatz
- Bitte diese Bedienungsanleitung sorgfältig lesen und aufbewahren ③

### TECHNISCHE DATEN ①

### WERKZEUGKOMPONENTEN ②

- A Schalter zum Ein-Aus-Schalten
- B Knopf zum Feststellen des Schalters
- C Hebel zum Wählen des Sägmodus
- D Rad zur Hubzahlregelung
- E Schalter zum Staubblasen
- F Spot-Light
- G Lüftungsschlitze

### SICHERHEIT

#### ALLGEMEINE SICHERHEITSHINWEISE

**⚠ ACHTUNG! Lesen Sie alle Sicherheitshinweise und Anweisungen.** Versäumnisse bei der Einhaltung der Sicherheitshinweise und Anweisungen können elektrischen Schlag, Brand und/oder schwere Verletzungen verursachen. **Bewahren Sie alle Sicherheitshinweise und Anweisungen für die Zukunft auf.** Der in den Sicherheitshinweisen verwendete Begriff "Elektrowerkzeug" bezieht sich auf netzbetriebene Elektrowerkzeuge (mit Netzkabel) und auf akkubetriebene Elektrowerkzeuge (ohne Netzkabel).

#### 1) ARBEITSPLATZSICHERHEIT

- a) **Halten Sie Ihren Arbeitsbereich sauber und gut beleuchtet.** Unordnung oder unbeleuchtete Arbeitsbereiche können zu Unfällen führen.
- b) **Arbeiten Sie mit dem Gerät nicht in explosionsgefährdeter Umgebung, in der sich brennbare Flüssigkeiten, Gase oder Stäube befinden.** Elektrowerkzeuge erzeugen Funken, die den Staub oder die Dämpfe entzünden können.
- c) **Halten Sie Kinder und andere Personen während der Benutzung des Elektrowerkzeuges fern.** Bei Ablenkung können Sie die Kontrolle über das Gerät verlieren.

#### 2) ELEKTRISCHE SICHERHEIT

- a) **Der Anschlussstecker des Gerätes muss in die Steckdose passen. Der Stecker darf in keiner Weise**

**verändert werden. Verwenden Sie keine Adapterstecker gemeinsam mit schutzgeerdeten Geräten.** Unveränderte Stecker und passende Steckdosen verringern das Risiko eines elektrischen Schlages.

- b) **Vermeiden Sie Körperkontakt mit geerdeten Oberflächen, wie von Rohren, Heizungen, Herden und Kühlschränken.** Es besteht ein erhöhtes Risiko durch elektrischen Schlag, wenn Ihr Körper geerdet ist.
- c) **Halten Sie das Gerät von Regen oder Nässe fern.** Das Eindringen von Wasser in ein Elektrogerät erhöht das Risiko eines elektrischen Schlages.
- d) **Zweckentfremden Sie das Kabel nicht, um das Gerät zu tragen, aufzuhängen oder um den Stecker aus der Steckdose zu ziehen. Halten Sie das Kabel fern von Hitze, Öl, scharfen Kanten oder sich bewegenden Geräteteilen.** Beschädigte oder verwinkelte Kabel erhöhen das Risiko eines elektrischen Schlages.
- e) **Wenn Sie mit einem Elektrowerkzeug im Freien arbeiten, verwenden Sie nur Verlängerungskabel, die auch für den Außenbereich zugelassen sind.** Die Anwendung eines für den Außenbereich geeigneten Verlängerungskabels verringert das Risiko eines elektrischen Schlages.
- f) **Wenn der Betrieb des Elektrowerkzeuges in feuchter Umgebung nicht vermeidbar ist, verwenden Sie einen Fehlerstromschutzschalter.** Der Einsatz eines Fehlerstromschutzschalters vermindert das Risiko eines elektrischen Schlages.

#### 3) SICHERHEIT VON PERSONEN

- a) **Seien Sie aufmerksam, achten Sie darauf, was Sie tun, und gehen Sie mit Vernunft an die Arbeit mit einem Elektrowerkzeug. Benutzen Sie das Gerät nicht, wenn Sie müde sind oder unter dem Einfluss von Drogen, Alkohol oder Medikamenten stehen.** Ein Moment der Unachtsamkeit beim Gebrauch des Gerätes kann zu ernsthaften Verletzungen führen.
- b) **Tragen Sie persönliche Schutzausrüstung und immer eine Schutzbrille.** Das Tragen persönlicher Schutzausrüstung, wie Staubmaske, rutschfeste Sicherheitsschuhe, Schutzhelm oder Gehörschutz, je nach Art und Einsatz des Elektrowerkzeuges, verringert das Risiko von Verletzungen.
- c) **Vermeiden Sie eine unbeabsichtigte Inbetriebnahme. Vergewissern Sie sich, dass das Elektrowerkzeug ausgeschaltet ist, bevor Sie es an die Stromversorgung und/oder den Akku anschließen, es aufnehmen oder tragen.** Wenn Sie beim Tragen des Elektrowerkzeuges den Finger am Schalter haben oder das Gerät eingeschaltet an die Stromversorgung anschließen, kann dies zu Unfällen führen.
- d) **Entfernen Sie Einstellwerkzeuge oder Schraubenschlüssel, bevor Sie das Gerät einschalten.** Ein Werkzeug oder Schlüssel, der sich in einem drehenden Geräteteil befindet, kann zu Verletzungen führen.
- e) **Überschätzen Sie sich nicht. Sorgen Sie für einen sicheren Stand und halten Sie jederzeit das Gleichgewicht.** Dadurch können Sie das Gerät in unerwarteten Situationen besser kontrollieren.

- f) **Tragen Sie geeignete Kleidung. Tragen Sie keine weite Kleidung oder Schmuck. Halten Sie Haare, Kleidung und Handschuhe fern von sich bewegenden Teilen.** Lockere Kleidung, Schmuck oder lange Haare können von sich bewegenden Teilen erfasst werden.
- g) **Wenn Staubabsaug- und -auffangeinrichtungen montiert werden können, vergewissern Sie sich, dass diese angeschlossen sind und richtig verwendet werden.** Verwendung einer Staubabsaugung verringert Gefährdungen durch Staub.
- 4) SORGFÄLTIGER UMGANG UND GEBRAUCH VON ELEKTROWERKZEUGEN**
- a) **Überlasten Sie das Gerät nicht. Verwenden Sie für Ihre Arbeit das dafür bestimmte Elektrowerkzeug.** Mit dem passenden Elektrowerkzeug arbeiten Sie besser und sicherer im angegebenen Leistungsbereich.
- b) **Benutzen Sie kein Elektrowerkzeug, dessen Schalter defekt ist.** Ein Elektrowerkzeug, das sich nicht mehr ein- oder ausschalten lässt, ist gefährlich und muss repariert werden.
- c) **Ziehen Sie den Stecker aus der Steckdose und/oder entfernen Sie den Akku, bevor Sie Geräteeinstellungen vornehmen, Zubehörteile wechseln oder das Gerät weglegen.** Diese Vorsichtsmaßnahme verhindert den unbeabsichtigten Start des Geräts.
- d) **Bewahren Sie unbenutzte Elektrowerkzeuge außerhalb der Reichweite von Kindern auf. Lassen Sie Personen das Gerät nicht benutzen, die mit diesem nicht vertraut sind oder diese Anweisungen nicht gelesen haben.** Elektrowerkzeuge sind gefährlich, wenn Sie von unerfahrenen Personen benutzt werden.
- e) **Pflegen Sie das Gerät mit Sorgfalt. Kontrollieren Sie, ob bewegliche Geräteteile einwandfrei funktionieren und nicht klemmen, ob Teile gebrochen oder so beschädigt sind, dass die Funktion des Gerätes beeinträchtigt ist. Lassen Sie beschädigte Teile vor dem Einsatz des Geräts reparieren.** Viele Unfälle haben ihre Ursache in schlecht gewarteten Elektrowerkzeugen.
- f) **Halten Sie Schneidwerkzeuge scharf und sauber.** Sorgfältig gepflegte Schneidwerkzeuge mit scharfen Schneidkanten verkleben sich weniger und sind leichter zu führen.
- g) **Verwenden Sie Elektrowerkzeug, Zubehör, Einsatzwerkzeuge usw. entsprechend diesen Anweisungen. Berücksichtigen Sie dabei die Arbeitsbedingungen und die auszuführende Tätigkeit.** Der Gebrauch von Elektrowerkzeugen für andere als die vorgesehenen Anwendungen kann zu gefährlichen Situationen führen.
- 5) SERVICE**
- a) **Lassen Sie Ihr Gerät nur von qualifiziertem Fachpersonal und nur mit Original-Ersatzteilen reparieren.** Damit wird sichergestellt, dass die Sicherheit des Geräts erhalten bleibt.

## SICHERHEITSHINWEISE FÜR STICHSÄGEN

### ALLGEMEINES

- Stets nachprüfen, daß die Netzspannung mit der auf dem Typenschild des Werkzeuges angegebenen Spannung

- übereinstimmt (mit 230V oder 240V beschriftete Werkzeuge können auch an 220V betrieben werden)
- Die Funktion des Werkzeuges vor jeder Anwendung prüfen und es bei einem Defekt sofort von einer qualifizierten Person reparieren lassen; das Werkzeug niemals selbst öffnen
- **Bearbeiten Sie kein asbesthaltiges Material** (Asbest gilt als krebserregend)
- Der Benutzer dieses Werkzeuges sollte älter als 16 Jahre sein
- Der Geräuschpegel beim Arbeiten kann 85 dB(A) überschreiten; Gehörschutz tragen
- Beim Bearbeiten spannerzeugender Materialien Schutzbrille tragen
- Staub von Materialien wie Farbe, die Blei enthält, einigen Holzarten, Mineralien und Metall kann schädlich sein (Kontakt mit oder Einatmen des Staubs kann zu allergischen Reaktionen und/oder Atemwegskrankheiten beim Bediener oder Umstehenden führen); **tragen Sie eine Staubmaske und arbeiten Sie mit einem Staubabsaugungssystem, wenn ein solches angeschlossen werden kann**
- Bestimmte Arten von Staub sind als karzinogen klassifiziert (beispielsweise Eichen- und Buchenholzstaub), insbesondere in Verbindung mit Zusätzen für die Holzvorbehandlung; **tragen Sie eine Staubmaske und arbeiten Sie mit einem Staubabsaugungssystem, wenn ein solches angeschlossen werden kann**
- Beachten Sie die für Ihr verwendetes Verbrauchsmaterial gültigen nationalen Staubschutzvorgaben
- Bei Benutzung von Verlängerungskabeln ist darauf zu achten, daß das Kabel vollständig abgerollt ist und eine Kapazität von 16 A hat
- **Ziehen Sie grundsätzlich den Netzstecker, bevor Sie beliebige Änderungen an den Einstellungen oder einen Zubehörwechsel vornehmen**

### VOR DER ANWENDUNG

- Bevor Sie mit dem Schnitt beginnen, alle Hindernisse von der Ober- wie auch von der Unterfläche entfernen, die auf der Schnittstrecke liegen
- Beschädigungen durch Schrauben, Nägel und ähnliches an Ihrem Werkstück vermeiden; diese vor Arbeitsbeginn entfernen
- **Sichern Sie das Werkstück** (ein mit Spannvorrichtungen oder SchraubstocK festgehaltenes Werkstück ist sicherer gehalten als mit der Hand)

### WÄHREND DER ANWENDUNG

- **Halten Sie das Elektrowerkzeug an den isolierten Griffflächen, wenn Sie Arbeiten ausführen, bei denen das Einsatzwerkzeug verborgene Stromleitungen oder das eigene Netzkabel treffen kann** (der Kontakt mit einer spannungsführenden Leitung kann auch Metallteile des Elektrowerkzeuges unter Spannung setzen und zu einem elektrischen Schlag führen)
- Das Kabel immer von umlaufenden Teilen des Werkzeuges fernhalten; das Kabel nach hinten vom Werkzeug weg führen
- Wird bei der Arbeit das Kabel beschädigt oder durchtrennt, Kabel nicht berühren, sondern sofort den Netzstecker ziehen

- Werkzeug nicht weiter verwenden, wenn das Kabel beschädigt ist; lassen Sie dieses von einem anerkannten Elektrofachmann ersetzen
- Bei elektrischer oder mechanischer Fehlfunktion das Werkzeug sofort ausschalten und den Netzstecker ziehen
- Halten Sie Hände von dem Sägeblatt fern, wenn das Werkzeug eingeschaltet ist

#### ZUBEHÖR

- SKIL kann nur dann die einwandfreie Funktion des Werkzeuges zusichern, wenn Original-Zubehör verwendet wird
- Rissige oder stumpfe Sägeblätter, oder solche, die ihre Form verändert haben, dürfen nicht verwendet werden

#### ANWENDUNG IM FREIEN

- Bei Anwendung im Freien das Werkzeug über einen Fehlerstrom- (FI) Schutzschalter mit einem Auslösestrom von 30 mA max. anschließen, und nur ein Verlängerungskabel benutzen, das für die Anwendung im Freien vorgesehen und mit einer spritzwassergeschützten Anschlussstelle versehen ist

#### NACH DER ANWENDUNG

- Sobald Sie sich von Ihrem Werkzeug entfernen, sollte dieses ausgeschaltet werden und die sich bewegenden Teile vollkommen zum Stillstand gekommen sein

#### ERKLÄRUNG DER SYMBOLE AUF DEM WERKZEUG

- ③ Die Bedienungsanleitung vor dem Gebrauch lesen
- ④ Doppelte Isolierung (kein Erdleiter erforderlich)
- ⑤ Das Werkzeug nicht in den Hausmüll werfen

## BEDIENUNG

- Ein-/Aus-Schalten ⑥
- Arretierung des Schalters für Dauerlauf ⑦
- Sägeblattwechsel ⑧
  - ! **Sägeblatt mit den Sägezähnen nach vorne gerichtet in voller Tiefe einspannen** ⑨
- Sägen bei 45° ⑩
  - für beste Ergebnisse "all/curve" als Säge-Position wählen
  - ! **stellen Sie sicher, daß die Fußplatte flach am Werkzeuggehäuse (10a oder 10b) anliegt**
- Auswählen des Sägemodus ⑪
  - 1 Position ("all/curve") für präzises Sägen aller Materialien, gerade + Kurven-Schnitte
  - 4 Positionen für schnelles Sägen unterschiedlicher Materialien, nur gerade Schnitte
    - grau = Metall
    - blau = Kunststoff
    - braun = Hartholz
    - grün = Weichholz
  - ! **beim Sägen von splitterempfindliches Material immer "all/curve" wählen**
- Hubzahl je nach Material anpassen ⑫
  - ! **wenn das Werkzeug nicht mit Rad D in Position 1 läuft, eine höhere Hubzahl wählen und die Hubzahl bei laufendem Werkzeug verringern**
- Staubabsaugung ⑬a
  - ! **Staubsauger nicht verwenden beim Sägen von Metall**
- Staubgebläse ⑬b
- Spot-Light ⑭

- Bedienung des Werkzeuges
  - vor dem Einschalten des Werkzeuges muß die Vorderseite der Fußplatte flach auf dem Werkstück aufliegen
  - das Werkzeug immer fest mit beiden Händen halten um es stets unter Kontrolle zu haben
  - ! **Werkzeug beim Arbeiten immer am grauen Griffbereich fassen** ⑮
  - stellen Sie sicher, daß die Fußplatte auf ganzer Fläche sicher aufliegt
  - ! **stellen Sie sicher, daß das Blatt vollkommen zum Stillstand gekommen ist, bevor Sie das Werkzeug vom Werkstück entfernen**
  - Lüftungsschlitze G ② unbedeckt halten

## ANWENDUNGSHINWEISE

- Die entsprechenden Sägeblätter verwenden ⑯
  - ! **nur Sägeblätter mit T-Schaft verwenden** ⑰
- Beim Sägen von Metall Sägeblatt regelmässig mit Öl einfeilen
- Für präzisen Schnittverlauf das Werkzeug mit der Bodenplatte entlang der Kante eines geraden Holzstückes führen ⑱
- Bevor Sie Ausschnitte ausführen, ein Loch vorbohren ⑲
- Splitterfreies Sägen
  - die Schnittlinie mit mehreren Schichten breiten Klebeband bedecken vor Arbeitsbeginn
  - die Oberfläche des Werkstücks grundsätzlich nach unten zeigend auflegen
- Für mehr Tips siehe [www.skil.com](http://www.skil.com)

## WARTUNG / SERVICE

- Dieses Werkzeug eignet sich nicht für den professionellen Einsatz
- Halten Sie Werkzeug und Kabel immer sauber (insbesondere die Lüftungsschlitze G ②)
  - ! **Netzstecker vor dem Säubern ziehen**
- Sollte das Elektrowerkzeug trotz sorgfältiger Herstellungs- und Prüfverfahren einmal ausfallen, ist die Reparatur von einer autorisierten Kundendienststelle für SKIL-Elektrowerkzeuge ausführen zu lassen
  - das Werkzeug **unzerlegt**, zusammen mit dem Kaufbeleg, an den Lieferer oder die nächste SKIL-Vertragswerkstätte senden (die Anschriften so wie die Ersatzteilzeichnung des Werkzeuges finden Sie unter [www.skil.com](http://www.skil.com))

## UMWELT

- **Elektrowerkzeuge, Zubehör und Verpackungen nicht in den Hausmüll werfen** (nur für EU-Länder)
  - gemäss Europäischer Richtlinie 2012/19/EG über Elektro- und Elektronik- Altgeräte und Umsetzung in nationales Recht müssen nicht mehr gebrauchsfähige Elektrowerkzeuge getrennt gesammelt und einer umweltgerechten Wiederverwertung zugeführt werden
  - hieran soll Sie Symbol ⑤ erinnern



## GERÄUSCH/VIBRATION

- Gemessen gemäß EN 60745 beträgt der Schalldruckpegel dieses Gerätes 90 dB(A) und der Schalleistungspegel 101 dB(A) (Standardabweichung: 3 dB), und die Vibration \* (Vektorsumme dreier Richtungen; Unsicherheit K = 1,5 m/s<sup>2</sup>)
    - \* beim Sägen von Holz 8,8 m/s<sup>2</sup>
    - \* beim Sägen von Metall 13,3 m/s<sup>2</sup>
  - Die Vibrationsemissionsstufe wurde mit einem standardisierten Test gemäß EN 60745 gemessen; Sie kann verwendet werden, um ein Werkzeug mit einem anderen zu vergleichen und als vorläufige Beurteilung der Vibrationsexposition bei Verwendung des Werkzeugs für die angegebenen Anwendungszwecke
    - die Verwendung des Werkzeugs für andere Anwendungen oder mit anderem oder schlecht gewartetem Zubehör kann die Expositionsstufe erheblich **erhöhen**
    - Zeiten, zu denen das Werkzeug ausgeschaltet ist, oder wenn es läuft aber eigentlich nicht eingesetzt wird, können die Expositionsstufe erheblich **verringern**
- ! schützen Sie sich vor den Auswirkungen der Vibration durch Wartung des Werkzeugs und des Zubehörs, halten Sie Ihre Hände warm und organisieren Sie Ihren Arbeitsablauf**

NL

## Decoupeerzaag

4370

## INTRODUCTIE

- Deze machine is bestemd voor het doorzagen van (en het zagen van uitsparingen in) hout, kunststof, metaal, keramiekplaten en rubber, en is geschikt om recht en in bochten te zagen bij 0° of 45°
- Het licht van dit elektrische gereedschap is bestemd om het directe werkbereik van het elektrische gereedschap te verlichten en is niet geschikt voor ruimteverlichting in het huishouden
- Deze machine is niet bedoeld voor professioneel gebruik
- Lees en bewaar deze gebruiksaanwijzing ③

## TECHNISCHE GEGEVENS ①

### MACHINE-ELEMENTEN ②

- A Schakelaar voor aan/uit
- B Knop voor vastzetten van schakelaar
- C Hendel voor selecteren van zaagfunctie
- D Instelwielje voor zaagsnelheid
- E Schakelaar voor stof-blower
- F Spot licht
- G Ventilatie-openingen

## VEILIGHEID

### ALGEMENE VEILIGHEIDVOORSCHRIFTEN

**⚠ LET OP! Lees alle veiligheidswaarschuwingen en alle voorschriften.** Als de waarschuwingen en voorschriften niet worden opgevolgd, kan dit een elektrische schok, brand of ernstig letsel tot gevolg hebben. **Bewaar alle waarschuwingen en voorschriften voor toekomstig gebruik.** Het in de waarschuwingen gebruikte begrip "elektrisch gereedschap" heeft betrekking op elektrische gereedschappen voor gebruik op het stroomnet (met netsnoer) en op elektrische gereedschappen voor gebruik met een accu (zonder netsnoer).

### 1) VEILIGHEID VAN DE WERKOMGEVING

- a) **Houd uw werkomgeving schoon en opgeruimd.** Een rommelige of onverlichte werkomgeving kan tot ongevallen leiden.
- b) **Werk met het gereedschap niet in een omgeving met explosiegevaar waarin zich brandbare vloeistoffen, gassen of stof bevinden.** Elektrische gereedschappen veroorzaken vonken die het stof of de dampen tot ontsteking kunnen brengen.
- c) **Houd kinderen en andere personen tijdens het gebruik van het elektrische gereedschap uit de buurt.** Wanneer u wordt afgeleid, kunt u de controle over het gereedschap verliezen.

### 2) ELEKTRISCHE VEILIGHEID

- a) **De aansluitstekker van het gereedschap moet in het stopcontact passen. De stekker mag in geen geval worden veranderd. Gebruik geen adapterstekkers in combinatie met geaarde gereedschappen.** Onveranderde stekkers en passende stopcontacten beperken het risico van een elektrische schok.
- b) **Voorkom aanraking van het lichaam met geaarde oppervlakken, bijvoorbeeld van buizen, verwarmingen, fornuizen en koelkasten.** Er bestaat een verhoogd risico door een elektrische schok wanneer uw lichaam geaard is.
- c) **Houd het gereedschap uit de buurt van regen en vocht.** Het binnendringen van water in het elektrische gereedschap vergroot het risico van een elektrische schok.
- d) **Gebruik de kabel niet voor een verkeerd doel, om het gereedschap te dragen of op te hangen of om de stekker uit het stopcontact te trekken. Houd de kabel uit de buurt van hitte, olie, scherpe randen en bewegende gereedschapsdelen.** Beschadigde of in de war geraakte kabels vergroten het risico van een elektrische schok.
- e) **Wanneer u buitenshuis met elektrisch gereedschap werkt, dient u alleen verlengkabels te gebruiken die voor gebruik buitenshuis zijn goedgekeurd.** Het gebruik van een voor gebruik buitenshuis geschikte verlengkabel beperkt het risico van een elektrische schok.
- f) **Als het gebruik van het elektrische gereedschap in een vochtige omgeving onvermijdelijk is, dient u een aardlekschakelaar te gebruiken.** Het gebruik van een aardlekschakelaar vermindert het risico van een elektrische schok.

### 3) VEILIGHEID VAN PERSONEN

- a) **Wees alert, let goed op wat u doet en ga met verstand te werk bij het gebruik van het elektrische gereedschap.** Gebruik het gereedschap niet wanneer u moe bent of onder invloed staat van drugs, alcohol of medicijnen. Een moment van onoplettendheid bij het gebruik van het gereedschap kan tot ernstige verwondingen leiden.
- b) **Draag persoonlijke beschermende uitrusting en altijd een veiligheidsbril.** Het dragen van persoonlijke beschermende uitrusting zoals een stofmasker, slipvast werkschoenen, een veiligheidshelm of gehoorbescherming, afhankelijk van de aard en het gebruik van het elektrische gereedschap, vermindert het risico van verwondingen.
- c) **Voorkom per ongeluk inschakelen. Controleer dat het elektrische gereedschap uitgeschakeld is voordat u de stekker in het stopcontact steekt of de accu aansluit en voordat u het gereedschap oppakt of draagt.** Wanneer u bij het dragen van het elektrische gereedschap uw vinger aan de schakelaar hebt of wanneer u het gereedschap ingeschakeld op de stroomvoorziening aansluit, kan dit tot ongevallen leiden.
- d) **Verwijder instelgereedschappen of schroefsleutels voordat u het gereedschap inschakelt.** Een instelgereedschap of sleutel in een draaiend deel van het gereedschap kan tot verwondingen leiden.
- e) **Probeer niet ver te reiken. Zorg ervoor dat u stevig staat en steeds in evenwicht blijft.** Daardoor kunt u het gereedschap in onverwachte situaties beter onder controle houden.
- f) **Draag geschikte kleding. Draag geen loshangende kleding of sieraden. Houd haren, kleding en handschoenen uit de buurt van bewegende delen.** Loshangende kleding, sieraden en lange haren kunnen door bewegende delen worden meegenomen.
- g) **Wanneer stofafzuigings- of stofopvangvoorzieningen kunnen worden gemonteerd, dient u zich ervan te verzekeren dat deze zijn aangesloten en juist worden gebruikt.** Het gebruik van een stofafzuiging beperkt het gevaar door stof.
- 4) GEBRUIK EN ONDERHOUD VAN ELEKTRISCHE GEREDSCHAPPEN**
- a) **Overbelast het gereedschap niet. Gebruik voor uw werkzaamheden het daarvoor bestemde elektrische gereedschap.** Met het passende elektrische gereedschap werkt u beter en veiliger binnen het aangegeven capaciteitsbereik.
- b) **Gebruik geen elektrisch gereedschap waarvan de schakelaar defect is.** Elektrisch gereedschap dat niet meer kan worden in- of uitgeschakeld, is gevaarlijk en moet worden gerepareerd.
- c) **Trek de stekker uit het stopcontact of neem de accu uit het elektrische gereedschap voordat u het gereedschap instelt, toebehoren wisselt of het gereedschap weglegt.** Deze voorzorgsmaatregel voorkomt onbedoeld starten van het gereedschap.
- d) **Bewaar niet-gebruikte elektrische gereedschappen buiten bereik van kinderen. Laat het gereedschap niet gebruiken door personen die er niet mee vertrouwd zijn en deze aanwijzingen niet hebben gelezen.** Elektrische gereedschappen zijn gevaarlijk wanneer deze door onervaren personen worden gebruikt.

- e) **Verzorg het gereedschap zorgvuldig. Controleer of bewegende delen van het gereedschap correct functioneren en niet vastklemmen en of onderdelen zodanig gebroken of beschadigd zijn dat de werking van het gereedschap nadelig wordt beïnvloed. Laat beschadigde delen repareren voordat u het gereedschap gebruikt.** Veel ongevallen hebben hun oorzaak in slecht onderhouden elektrische gereedschappen.
- f) **Houd snijdende inzetgereedschappen scherp en schoon.** Zorgvuldig onderhouden snijdende inzetgereedschappen met scherpe snijkanten klemmen minder snel vast en zijn gemakkelijker te geleiden.
- g) **Gebruik elektrische gereedschappen, toebehoren, inzetgereedschappen en dergelijke volgens deze aanwijzingen. Let daarbij op de arbeidsomstandigheden en de uit te voeren werkzaamheden.** Het gebruik van elektrische gereedschappen voor andere dan de voorziene toepassingen kan tot gevaarlijke situaties leiden.
- 5) SERVICE**
- a) **Laat het gereedschap alleen repareren door gekwalificeerd en vakkundig personeel en alleen met originele vervangingsonderdelen.** Daarmee wordt gewaarborgd dat de veiligheid van het gereedschap in stand blijft.

### VEILIGHEIDSVOORSCHRIFTEN VOOR DECOUPEERZAGEN

#### ALGEMEEN

- Controleer altijd of het voltage, dat vermeld staat op het typeplaatje van de machine, overeenkomt met de netspanning (met 230V of 240V aangeduide machines kunnen ook op 220V aangesloten worden)
- Controleer vóór elk gebruik de werking van de machine, en laat deze in geval van een defect onmiddellijk repareren door een erkende vakman; open zelf nooit de machine
- **Bewerk geen asbesthoudend materiaal** (asbest geldt als kankerverwekkend)
- Deze machine mag niet worden gebruikt door personen onder de 16 jaar
- Tijdens het werken kan het geluidsniveau 85 dB(A) overschrijden; draag oorbeschermers
- Draag een veiligheidsbril bij het bewerken van splinterend materiaal
- Stof van materiaal zoals loodhoudende verf, sommige houtsoorten, mineralen en metaal kunnen schadelijk zijn (contact met of inademing van de stof kan allergische reacties en/of ademhalingsziekten bij gebruiker of omstanders veroorzaken); **draag een stofmasker en werk met een stofopvang-voorziening als die kan worden aangesloten**
- Bepaalde soorten stof zijn geclassificeerd als kankerverwekkend (zoals stof van eiken en beuken), met name in combinatie met toevoegingsmiddelen voor houtverzorging; **draag een stofmasker en werk met een stofopvang-voorziening als die kan worden aangesloten**
- Neem voor de door u te bewerken materialen de nationale voorschriften aangaande stofopvang in acht

- Gebruik volledig uitgeholde en veilige verlengsnoeren met een capaciteit van 16 Ampère
- **Trek altijd de stekker uit het stopcontact voordat u een instelling verandert of een accessoire verwisselt**

### VÓÓR GEBRUIK

- Verwijder, voordat u begint te zagen, alle obstakels zowel boven als onder het zaagvlak
- Voorkom schade, die kan ontstaan door schroeven, spijkers en andere voorwerpen in uw werkstuk; verwijder deze, voordat u aan een karwei begint
- **Zet het werkstuk vast** (een werkstuk, dat is vastgezet met klemmen of in een bankschroef, zit steviger vast dan wanneer het met de hand wordt vastgehouden)

### TIJDENS GEBRUIK

- **Houd het elektrische gereedschap aan de geïsoleerde greepvlakken vast als u werkzaamheden uitvoert waarbij het inzetgereedschap verborgen stroomleidingen of de eigen stroomkabel kan raken** (contact met een onder spanning staande leiding kan ook metalen delen van het elektrische gereedschap onder spanning zetten en tot een elektrische schok leiden)
- Houd het snoer altijd verwijderd van de bewegende delen van uw machine; richt het snoer naar achteren, van de machine weg
- Raak het snoer niet aan, als dit tijdens de werkzaamheden wordt beschadigd of doorgesneden, maar trek onmiddellijk de stekker uit het stopcontact
- Gebruik de machine niet, wanneer het snoer beschadigd is; laat dit door een erkende vakman vervangen
- In geval van elektrische of mechanische storing, de machine onmiddellijk uitschakelen en de stekker uit het stopcontact trekken
- Blijf met uw handen uit de buurt van het zaagblad tijdens het gebruik van de machine

### ACCESSOIRES

- SKIL kan alleen een correcte werking van de machine garanderen, indien originele accessoires worden gebruikt
- Gebruik geen beschadigd, vervormd of bot zaagblad

### GEBRUIK BUITENSHUIS

- Sluit uw machine, bij gebruik buitenshuis, aan via een aardlekschakelaar (FI) met maximaal 30 mA uitschakelstroom, en gebruik alleen voor buitenshuis gebruik goedgekeurde verlengsnoeren, voorzien van een spatwaterdichte contactstop

### NA GEBRUIK

- Als u de machine wegzet moet de motor uitgeschakeld zijn en de bewegende delen tot stilstand zijn gekomen

### UITLEG VAN SYMBOLEN OP MACHINE

- ③ Lees de gebruiksaanwijzing vóór gebruik
- ④ Dubbele isolatie (geen aarddraad nodig)
- ⑤ Geef de machine niet met het huisvuil mee

## GEBRUIK

- Aan/uit ⑥
- Vastzetten van schakelaar voor continu gebruik ⑦
- Verwisselen van zaagbladen ⑧
- **! steek zaagblad in zaagbladhouder tot deze niet verder kan (met de tanden naar voren gericht) ⑨**
- Zagen bij 45° ⑩
  - kies voor de beste resultaten de "all/curve" -zaagfunctie

**! zorg ervoor, dat de voetplaat goed vlak op het machinehuis aansluit (10 a of 10 b)**

- Selecteren van zaagfunctie ⑪
  - 1 positie ("all/curve") voor nauwkeurig zagen in alle materialen, recht + in bochten
  - 4 posities voor snel zagen in verschillende materialen, alleen recht
    - grijs = metaal
    - blauw = plastic
    - bruin = hard hout
    - groen = zacht hout
- **! kies altijd "all/curve" bij het zagen van splintergevoelig materiaal**
- Instellen van zaagsnelheid afhankelijk van het te gebruiken materiaal ⑫
  - **! als de machine niet start met wieltje D in positie 1, selecteer dan een hogere zaagsnelheid en vermindert deze terwijl de machine loopt**
- Stofafzuiging ⑬a
  - **! gebruik de stofzuiger niet bij het zagen van metaal**
- Stof-blower ⑬b
- Spot light ⑭
- Werken met de machine
  - zorg ervoor dat, voordat u de machine aanzet, de voor-kant van de voetplaat goed vlak op het werkstuk rust
  - houd uw machine stevig met beide handen vast, zodat u deze altijd volledig onder controle hebt
  - **! houd de machine tijdens het werk altijd vast bij het(de) grijs-gekleurde greepvlak(ken) ⑮**
  - zorg ervoor, dat de voetplaat over het hele oppervlak goed aansluit
  - **! zorg ervoor, dat het zaagblad tot stilstand gekomen is, voordat u de machine van het werkstuk haalt**
  - houd ventilatie-openingen G ⑯ onbedekt

## TOEPASSINGSADVIES

- Gebruik de juiste zaagbladen ⑰
  - **! gebruik alleen zaagbladen met een T-schacht ⑱**
- Bij het zagen in metalen, het zaagblad regelmatig met olie invetten
- Voor een nauwkeurige rechte zaagsnede, de machine met de voetplaat langs een recht stuk hout geleiden ⑲
- Vóór het zagen van een uitsparing een gat voorboren ⑲
- Splintervrij zagen
  - bedek de zaaglijn met verscheidene lagen breed plakband, voordat u begint te zagen
  - leg de goede kant van het werkstuk altijd naar beneden
- Voor meer tips zie [www.skil.com](http://www.skil.com)

## ONDERHOUD / SERVICE

- Deze machine is niet bedoeld voor professioneel gebruik
- Houd machine en snoer altijd schoon (met name de ventilatie-openingen G ⑳)
- **! trek de stekker uit het stopcontact vóór het reinigen**
- Mocht het elektrische gereedschap ondanks zorgvuldige fabricage- en testmethoden toch defect raken, dient de

reparatie te worden uitgevoerd door een erkende klantenservice voor SKIL elektrische gereedschappen

- stuur de machine **ongedemonteerd**, samen met het aankoopbewijs, naar het verkoopadres of het dichtstbijzijnde SKIL service-station (de adressen evenals de onderdeeletekening van de machine vindt u op [www.skil.com](http://www.skil.com))

## MILIEU

- **Geef electrisch gereedschap, accessoires en verpakkingen niet met het huisvuil mee** (alleen voor EU-landen)
  - volgens de Europese richtlijn 2012/19/EG inzake oude elektrische en elektronische apparaten en de toepassing daarvan binnen de nationale wetgeving, dient afgedankt electrisch gereedschap gescheiden te worden ingezameld en te worden afgevoerd naar een recycle-bedrijf, dat voldoet aan de geldende milieu-eisen
  - symbool ⑤ zal u in het afdankstadium hieraan herinneren

## GELUID/VIBRATIE

- Gemeten volgens EN 60745 bedraagt het geluidsdruk-niveau van deze machine 90 dB(A) en het geluidsvermogen-niveau 101 dB(A) (standaard deviatie: 3 dB), en de vibratie \* (vectorsom van drie richtingen; onzekerheid  $K = 1,5 \text{ m/s}^2$ )
    - \* bij het zagen van hout  $8,8 \text{ m/s}^2$
    - \* bij het zagen van metaal  $13,3 \text{ m/s}^2$
  - Het trillingsemisssionniveau is gemeten in overeenstemming met een gestandaardiseerde test volgens EN 60745; deze mag worden gebruikt om twee machines met elkaar te vergelijken en als voorlopige beoordeling van de blootstelling aan trilling bij gebruik van de machine voor de vermelde toepassingen
    - gebruik van de machine voor andere toepassingen, of met andere of slecht onderhouden accessoires, kan het blootstellingsniveau aanzienlijk **verhogen**
    - wanneer de machine is uitgeschakeld of wanneer deze loopt maar geen werk verricht, kan dit het blootstellingsniveau aanzienlijk **reduceren**
- ! bescherm uzelf tegen de gevolgen van trilling door de machine en de accessoires te onderhouden, uw handen warm te houden en uw werkwijze te organiseren**

S

## Figursåg

4370

## INTRODUKTION

- Denna maskin är avsedd för kapning och ursågning i trä, plast, metall, keramikplattor och gummi, och är lämplig för rak och kurvig sågning vid 0° eller 45°
- Belysningen i detta elverktyg är avsett för att belysa verktygets direkta arbetsområde och är inte lämpligt för att lysa upp rum i bostaden

- Det här verktyget är inte avsett för yrkesmässig användning
- Läs och spara denna instruktionsbok ③

## TEKNISKA DATA ①

### VERKTYGSELEMENT ②

- A Strömbrytare för till/från
- B Knapp för låsning av strömbrytare
- C Spak för val av sågningsläge
- D Ratt för justering av såghastighet
- E Strömbrytare för dammblåsning
- F Punktbelysning
- G Ventilationsöppningar

## SÄKERHET

### ALLMÄNNA SÄKERHETSANVISNINGAR

**⚠ OBS! Läs noga igenom alla anvisningar.** Fel som uppstår till följd av att anvisningarna nedan inte följts kan orsaka elstöt, brand och/eller allvarliga kroppsskador. **Förvara alla varningar och anvisningar för framtida bruk.** Nedan använt begrepp "elverktyg" hänför sig till nätdrivna elverktyg (med nätsladd) och till batteridrivna elverktyg (sladdlösa).

#### 1) ARBETSPLATSSÄKERHET

- Håll arbetsplatsen ren och välbelyst.** Oordning på arbetsplatsen eller dåligt belyst arbetsområde kan leda till olyckor.
- Använd inte elverktyget i explosionsfarlig omgivning med brännbara vätskor, gaser eller damm.** Elverktygen alstrar gnistor som kan antända dammet eller gaserna.
- Håll under arbetet med elverktyget barn och obehöriga personer på betydande avstånd.** Om du störs av obehöriga personer kan du förlora kontrollen över elverktyget.

#### 2) ELEKTRISK SÄKERHET

- Elverktygets stickpropp måste passa till vägguttaget. Stickproppen får absolut inte förändras. Använd inte adapterkontaktverktillsammans med skyddsjordade elverktyg.** Oförändrade stickproppar och passande vägguttag reducerar risken för elektriskt slag.
- Undvik kroppskontakt med jordade ytor som t. ex. rör, värmelement, spisar och kylskåp.** Det finns en större risk för elektriskt slag om din kropp är jordad.
- Skydda elverktyget mot regn och väta.** Tränger vatten in i ett elverktyg ökar risken för elektriskt slag.
- Missbruka inte nätsladden och använd den inte för att bära eller hänga upp elverktyget och inte heller för att dra stickproppen ur vägguttaget. Håll nätsladden på avstånd från värme, olja, skarpa kanter och rörliga maskindelar.** Skadade eller tilltrasslade ledningar ökar risken för elektriskt slag.
- När du arbetar med ett elverktyg utomhus använd endast förlängningssladdar som är godkända för utomhusbruk.** Om en lämplig förlängningssladd för utomhusbruk används minskar risken för elektriskt slag.

- f) **Använd en jordfelsbrytare om det inte är möjligt att undvika elverktygets användning i fuktig miljö.**

Genom att använda en jordfelsbrytare minskas risken för elstöt.

### 3) PERSONSÄKERHET

- a) **Var uppmärksam, kontrollera vad du gör och använd elverktyg med förnuft. Använd inte elverktyg när du är trött eller om du är påverkad av droger, alkohol eller mediciner.** Under användning av elverktyg kan även en kort uppmärksamhet leda till allvarliga kroppsskador.
- b) **Bär alltid personlig skyddsutrustning och skyddsglasögon.** Användning av personlig skyddsutrustning som t. ex. dammfiltermask, halkfria säkerhetsskor, skyddshjälm och hörselskydd reducerar alltefter elverktygets typ och användning risken för kroppsskada.
- c) **Undvik oavsiktlig igångsättning. Kontrollera att elverktyg är fränkopplat innan du ansluter stickproppen till vägguttaget och/eller ansluter/tar bort batteriet, tar upp eller bär elverktyget.** Om du bär elverktyg med fingret på strömställaren eller ansluter påkopplat elverktyg till nätströmmen kan olycka uppstå.
- d) **Ta bort alla inställningsverktyg och skruvnycklar innan du kopplar på elverktyg.** Ett verktyg eller en nyckel i en roterande komponent kan medföra kroppsskada.
- e) **Överskatta inte din förmåga. Se till att du står stadigt och håller balansen.** I detta fall kan du lättare kontrollera elverktyg i oväntade situationer.
- f) **Bär lämpliga kläder. Bär inte löst hängande kläder eller smycken. Håll håret, kläderna och handskarna på avstånd från rörliga delar.** Löst hängande kläder, smycken och långt hår kan dras in av roterande delar.
- g) **Vid elverktyg med dammut sugnings- och -uppsamlingsutrustning kontrollera att anordningarna är rätt monterade och används på korrekt sätt.** Användning av dammut sugning minskar de risker damm orsakar.
- ### 4) OMSORGSFULL HANTERING OCH ANVÄNDNING AV ELVERKTYG
- a) **Överbelasta inte elverktyg.** Använd för aktuellt arbete avsett elverktyg. Med ett lämpligt elverktyg kan du arbeta bättre och säkrare inom angivet effektområde.
- b) **Ett elverktyg med defekt strömställare får inte längre användas.** Ett elverktyg som inte kan kopplas in eller ur är farligt och måste repareras.
- c) **Dra stickproppen ur vägguttaget och/eller ta bort batteriet innan inställningar utförs, tillbehörskomponenter byts ut eller elverktyg lagras.** Denna skyddsåtgärd förhindrar oavsiktlig inkoppling av elverktyg.
- d) **Förvara elverktygen oåtkomliga för barn. Låt elverktyg inte användas av personer som inte är förtrogna med dess användning eller inte läst denna anvisning.** Elverktyg är farliga om de används av oerfarna personer.
- e) **Sköt elverktyg omsorgsfullt. Kontrollera att rörliga komponenter fungerar felfritt och inte kärvar, att komponenter inte brustit eller skadats; orsaker som kan leda till att elverktygets funktioner påverkas menligt. Låt skadade delar repareras innan**

**elverktyg återanvänds.** Många olyckor orsakas av dåligt skötta elverktyg.

- f) **Håll skärverktygen skarpa och rena.** Omsorgsfullt skötta skärverktyg med skarpa egg kommer inte så lätt i kläm och går lättare att styra.
- g) **Använd elverktyg, tillbehör, insatsverktyg osv. enligt dessa anvisningar. Ta hänsyn till arbetsvillkoren och arbetsmomenten.** Används elverktyg på icke ändamålsenligt sätt kan farliga situationer uppstå.

### 5) SERVICE

- a) **Låt elverktyg repareras endast av kvalificerad fackpersonal och med originalreservdelar.** Detta garanterar att elverktygets säkerhet upprätthålls.

## SÄKERHETSANVISNINGAR FÖR FIGURSÅGER

### ALLMÄNT

- Kontrollera alltid att den tillförda strömtypen stämmer med spänningen som anges på maskinens märkplåt (maskiner med beteckningen 230V eller 240V kan även anslutas till 220V)
  - Kontrollera före användningen att maskinen fungerar ordentligt; eventuella skador måste repareras av en kvalificerad tekniker; öppna aldrig maskinen själv
  - **Asbesthaltigt material får inte bearbetas** (asbest anses vara cancerframkallande)
  - Den här maskinen ska inte användas av personer under 16 år
  - Ljudnivån vid arbete kan överskrida 85 dB(A); använd hörselskydd
  - Använd skyddsglasögon vid spånbildande material
  - Viss typ av damm, exempelvis färg som innehåller bly, vissa träsorter, mineraler och metaller kan vara hälsovådliga om de inhaleras (hudkontakt eller inhalering kan ge allergisk reaktion och/eller luftvägsproblem/ sjukdom hos personer i närheten); **använd andningsskydd och arbeta med en dammuppsamlare om sådan anslutning finns**
  - Vissa typer av damm är klassificerade så som carcinogena (t.ex. ek- och björkdamm) särskilt i kombination med tillsatser för träbehandling; **använd andningsskydd och arbeta med en dammuppsamlare om sådan anslutning finns**
  - Följ de nationella krav, som finns angående damm, för de material du skall arbeta med
  - Använd helt uttrullade och säkra förlängningssladdar med kapacitet på 16 A
  - **Dra alltid ur stickkontakten från vägguttaget innan du gör någon justering eller byter tillbehör**
- ### FÖRE ANVÄNDNINGEN
- Se till att arbetsområdet är fritt från föremål innan du startar arbetet
  - Undvik skador genom att ta bort skruvar, spikar eller andra föremål ur arbetsstycket; ta dem bort innan du startar ett arbete
  - **Sätt fast arbetsstycket** (ett arbetsstycke fastsatt med skruvtingar eller i ett skruvstöd är mera stabilt än om det hålls fast för hand)
- ### UNDER ANVÄNDNINGEN
- **Håll fast elverktyg vid de isolerade greppytorna när arbeten utförs på ställen där insatstillbehöret kan skada dolda ledningar eller egen nätsladd**

(kontakt med en spänningsförande ledning kan sätta elverkytets metalldelar under spänning och leda till elstöt)

- Håll alltid sladden på säkert avstånd från rörliga maskindelar; för sladden bakåt bort från maskinen
- Skadas eller kapas nätsladden under arbetet, rör inte vid sladden utan dra genast ut stickkontakten
- Använd ej maskinen om sladden är trasig; låt den byta ut av en kvalificerad person
- I händelse av onormala elektriska eller mekaniska störningar, stäng genast av maskinen och dra ur stickkontakten
- Håll händerna från sågbladet när maskinen är igång

#### TILLBEHÖR

- SKIL kan endast garantera att maskinen fungerar felfritt om originaltillbehör används
- Använd inte en trasig, deformationerad eller slö blad

#### ANVÄNDNING UTMOHUS

- Om maskinen används utomhus skall den vara ansluten till en jordfelsbrytare (FI) på högst 30 mA; använd bara en förlängningskabel avsedd för utomhusbruk och utrustad med en stänkskyddad kontakt

#### EFTER ANVÄNDNINGEN

- När du ställer ifrån dig maskinen måste motorn vara frånslagen och de rörliga delarna ska ha stannat fullständigt

#### FÖRKLARING AV SYMBOLERNA PÅ VERKTYGET

- ③ Läs bruksanvisningen före användning
- ④ Dubbel isolering (ingen jordning krävs)
- ⑤ Maskinen får inte kastas i hushållssoporna

## ANVÄNDNING

- Till/från ⑥
- Låsning av strömbrytare för kontinuerlig drift ⑦
- Sågbladsbyte ⑧
- ! **sätt in sågbladet till fullt djup med tänderna framåt** ⑨
- Sågning vid 45° ⑩
- för bäst resultat, välj sågsystemet "all/curve"
- ! **försäkra dig om att fotplattan ligger plant mot maskinshuset** (10a eller 10b)
- Utväljande av sågningläget ⑪
- 1 läge ("all/curve") för precisionssägning i alla material, rak + kurvig
- 4 läge för snabbsågning i olika material, endast rak  
grå = metall  
blå = plast  
brun = hårt trä  
grön = mjukt trä
- ! **välj alltid "all/curve" när sågning görs i splinterkänsligt material**
- Inställning av såghastighet beroende på val av material ⑫
- ! **om maskinen inte sågar med ratt D i läge 1, ska du välja en högre såghastighet och gå ner till en lägre hastighet medan maskinen går**
- Dammuppsugning ⑬a
- ! **använd inte dammsugare för skåring i metall**
- Dammbläsning ⑬b
- Punktbelysning ⑭

- Användning av maskinen
- innan maskinen sätts på, försäkra dig om att fotplattans framsidan ligger plant på arbetsstycket
- håll maskinen stadigt så att Du har full kontroll hela tiden

! **under arbetet, håll alltid verktyget i det grå greppet** ⑮

- försäkra dig om att fotplattan ligger an mot arbetsstycket över hela ytan

! **försäkra dig om att bladet helt har stannat innan maskinen lyfts från det sågade materialet**

- håll ventilationsöppningarna G ② ej övertäckta

## ANVÄNDNINGSTIPS

- Använd rätt sågblad ⑮
- ! **använd endast sågblad med T-axel** ⑰
- För sågning i metall, olja in sågbladet regelbundet
- För att såga precis rakt, styr maskinen med fotplattan längs kanten på en rak träbit ⑱
- Förbörja ett hål innan du börjar såga ur ⑲
- Splinterfri sågning
- täck snittlinjen med flera lager av breda tejp innan du börjar såga
- lägg alltid den finaste sidan av arbetsstycket nedåt
- För fler tips se [www.skil.com](http://www.skil.com)

## UNDERHÅLL / SERVICE

- Det här verktyget är inte avsedd för yrkesmässig användning
- Håll alltid din maskin och sladden ren (speciellt ventilationsöppningarna G ②)
- ! **drag ur stickkontakten innan rengöring**
- Om i elverkytet trots exakt tillverkning och sträng kontroll störning skulle uppstå, bör reparation utföras av auktoriserad serviceverkstad för SKIL elverkyt
- sänd in verktyget i **odemonterat skick** tillsammans med inköpsbevis till försäljaren eller till närmaste SKIL serviceverkstad (adresser till servicestationer och sprängskisser av maskiner finns på [www.skil.com](http://www.skil.com))

## MILJÖ

- **Elektriska verktyg, tillbehör och förpackning får inte kastas i hushållssoporna** (gäller endast EU-länder)
- enligt direktivet 2012/19/EG som avser äldre elektrisk och elektronisk utrustning och dess tillämpning enligt nationell lagstiftning ska uttjänta elektriska verktyg sorteras separat och lämnas till miljövänlig återvinning
- symbolen ⑥ kommer att påminna om detta när det är tid att kassera

## LJUD/VIBRATION

- Ljudtrycksnivån som uppmätts enligt EN 60745 är på denna maskin 90 dB(A) och ljudeffektnivån 101 dB(A) (standard deviation: 3 dB), och vibration \* m/s<sup>2</sup> (vektorsumma i tre riktningar; onoggrannhet K = 1,5 m/s<sup>2</sup>)
- \* vid sågning i trä 8,8 m/s<sup>2</sup>
- \* vid sågning i metall 13,3 m/s<sup>2</sup>
- Vibrationsemissionsvärdet har uppmätts enligt ett standardiserat test i enlighet med EN 60745; detta värde kan användas för att jämföra vibrationen hos olika verktyg

och som en ungefärlig uppskattning av hur stor vibration användaren utsätts för när verktyget används enligt det avsedda syftet

- om verktyget används på ett annat än det avsedda syftet eller med fel eller dåligt underhållna tillbehör kan detta drastiskt **öka** vibrationsnivån

- när verktyget stängs av eller är på men inte används, kan detta avsevärt **minska** vibrationsnivån

**! skydda dig mot vibration genom att underhålla verktyget och dess tillbehör, hålla händerna varma och styra upp ditt arbetssätt**

DK

## Stiksav

4370

### INLEDNING

- Dette værktøj er beregnet til at gennemsave emner og udføre udsnit i træ, kunststof, metal, keramikplader og gummi, og er egnet til lige og kurvede snit ved 0° eller 45°
- Lyset på el-værktøjet er beregnet til at oplyse el-værktøjets umiddelbare arbejdsområde og er ikke beregnet som rumbelysning i private hjem
- Dette værktøj er ikke beregnet til professionelt brug
- Læs og gem denne betjeningsvejledning ③

### TEKNISKE DATA ①

### VÆRKTØJETS DELE ②

- A Afbryder til tænd/sluk
- B Knap til fastlåsning af afbryderen
- C Arm til valg af savningsindstilling
- D Hjul til hastighedsvalg
- E Afbryder til støvblæsning
- F Spotlight
- G Ventilationshuller

### SIKKERHED

#### GENERALE SIKKERHEDSINSTRUKSER

**⚠ VIGTIGT! Læs alle advarselshenvisninger og instrukser.** I tilfælde af manglende overholdelse af advarselshenvisningerne og instrukserne er der risiko for elektrisk stød, brand og/eller alvorlige kvæstelser. **Opbevar alle advarselshenvisninger og instrukser til senere brug.** Det i advarselshenvisningerne benyttede begreb "el værktøj" refererer til netdrevet el værktøj (med netkabel) og akkudrevet el værktøj (uden netkabel).

#### 1) SIKKERHED PÅ ARBEJDSPLADSEN

- Sørg for, at arbejdsområdet er rent og ryddeligt.**  
Uorden eller uoplyste arbejdsområder øger faren for uheld.
- Brug ikke maskinen i eksplosionstruede omgivelser, hvor der er brændbare væsker, gasser eller støv.**  
El-værktøj kan slå gnister, der kan antænde støv eller dampe.
- Sørg for, at andre personer og ikke mindst børn holdes væk fra arbejdsområdet, når maskinen er i**

**brug.** Hvis man distraheres, kan man miste kontrollen over maskinen.

#### 2) ELEKTRISK SIKKERHED

- Maskinens stik skal passe til kontakten. Stikket må under ingen omstændigheder ændres. Brug ikke adapterstik sammen med jordforbundne maskiner.**  
Uændrede stik, der passer til kontakterne, nedsætter risikoen for elektrisk stød.
- Undgå kropskontakt med jordforbundne overflader som f.eks. rør, radiatorer, komfurer og køleskabe.**  
Hvis din krop er jordforbundet, øges risikoen for elektrisk stød.
- Maskinen må ikke udsættes for regn eller fugt.**  
Indtrængning af vand i maskinen øger risikoen for elektrisk stød.
- Brug ikke ledningen til formål, den ikke er beregnet til (f.eks. må man aldrig bære maskinen i ledningen, hænge maskinen op i ledningen eller rykke i ledningen for at trække stikket ud af kontakten). Beskyt ledningen mod varme, olie, skarpe kanter eller maskindele, der er i bevægelse.** Beskadigede eller udviklede ledninger øger risikoen for elektrisk stød.
- Hvis maskinen benyttes i det fri, må der kun benyttes en forlængerledning, der er godkendt til udendørs brug.** Brug af forlængerledning til udendørs brug nedsætter risikoen for elektrisk stød.
- Hvis det ikke kan undgås at bruge maskinen i fugtige omgivelser, skal der bruges et HFI-relæ.**  
Brug af et HFI-relæ reducerer risikoen for at få elektrisk stød.

#### 3) PERSONLIG SIKKERHED

- Det er vigtigt at være opmærksom, se, hvad man laver, og bruge maskinen fornuftigt. Man bør ikke bruge maskinen, hvis man er træt, har nydt alkohol eller er påvirket af medicin eller euforiserende stoffer.** Få sekunders uopmærksomhed ved brug af maskinen kan føre til alvorlige personskader.
- Brug beskyttelsesudstyr og hav altid beskyttelsesbriller på.** Brug af sikkerhedsudstyr som f.eks. støvmaske, skridsikket fodtøj, beskyttelseshjelm eller høreværn afhængig af maskintype og anvendelse nedsætter risikoen for personskader.
- Undgå utilsigtet igangsætning. Kontrollér, at el værktøjet er slukket, før du tilslutter det til strømtilførslen og/eller akkuen, løfter eller bærer det.** Undgå at bære el værktøjet med fingeren på afbryderen og sørg for, at el værktøjet ikke er tændt, når det slutes til nettet, da dette øger risikoen for personskader.
- Fjern indstillingsværktøj eller skruenøgle, inden maskinen tændes.** Hvis et stykke værktøj eller en nøgle sidder i en roterende maskindele, er der risiko for personskader.
- Overvurder ikke dig selv. Sørg for at stå sikkert, mens der arbejdes, og kom ikke ud af balance.** Det er derved nemmere at kontrollere maskinen, hvis der skulle opstå uventede situationer.
- Brug egnet arbejdstøj. Undgå løse beklædningsgenstande eller smykker. Hold hår, tøj og håndsker væk fra dele, der bevæger sig.** Dele, der er i bevægelse, kan gribe fat i løstsiddende tøj, smykker eller langt hår.

- g) Hvis støvudsugnings- og opsamlingsudstyr kan monteres, er det vigtigt, at dette tilsluttes og benyttes korrekt. Brug af en støvopsugning nedsætter risikoen for personskader som følge af støv.

#### 4) OMHYGGE LIG OMGANG MED OG BRUG AF EL-VÆRKTØJ

- a) **Undgå overbelastning af maskinen. Brug altid en maskine, der er beregnet til det stykke arbejde, der skal udføres.** Med den rigtige maskine arbejder man bedst og mest sikkert inden for det angivne effektområde.
- b) **Brug ikke en maskine, hvis afbryder er defekt.** En maskine, der ikke kan startes og stoppes, er farlig og skal repareres.
- c) **Træk stikket ud af stikkontakten og/eller fjern akkuen, inden maskinen indstilles, der skiftes tilbehørsdele, eller maskinen lægges fra.** Disse sikkerhedsforanstaltninger forhindrer utilsigtet start af maskinen.
- d) **Opbevar ubenyttet el-værktøj uden for børns rækkevidde. Lad aldrig personer, der ikke er fortrolige med maskinen eller ikke har gennemlæst disse instrukser, benytte maskinen.** El-værktøj er farligt, hvis det benyttes af ukyndige personer.
- e) **Maskinen bør vedligeholdes omhyggeligt. Kontroller, om bevægelige dele fungerer korrekt og ikke sidder fast, og om delene er brækket eller beskadiget, således at maskinens funktion påvirkes. Få beskadigede dele repareret, inden maskinen tages i brug.** Mange uheld skyldes dårligt vedligeholdte maskiner.
- f) **Sørg for, at skæreværktøjer er skarpe og rene.** Omhyggeligt vedligeholdte skæreværktøjer med skarpe skærekanter sætter sig ikke så hurtigt fast og er nemmere at føre.
- g) **Brug el-værktøj, tilbehør, indsatsværktøj osv. iht. disse instrukser. Tag hensyn til arbejdsforholdene og det arbejde, der skal udføres.** I tilfælde af anvendelse af værktøjet til formål, som ligger uden for det fastsatte anvendelsesområde, kan der opstå farlige situationer.

#### 5) SERVICE

- a) **Sørg for, at maskinen kun repareres af kvalificerede fagfolk, og at der kun benyttes originale reservedele.** Dermed sikres størst mulig maskinsikkerhed.

### SIKKERHEDSINSTRUKSER FOR STIKSAVE

#### GENERELT

- Kontrollér altid at forsyningsspændingen er den samme som den spænding, der er anført på værktøjets navneskilt (værktøj med betegnelsen 230V eller 240V kan også tilsluttes til 220V)
- Hver gang værktøjet tages i brug, skal man kontrollere dets funktion, og i tilfælde af en fejl, skal man omgående få værktøjet repareret af en kvalificeret person; man må aldrig selv åbne værktøjet
- **Bearbejd ikke asbestholdigt materiale** (asbest er kræftfremkaldende)
- Dette værktøj må ikke bruges af personer under 16 år
- Under arbejde med værktøjet kan lydniveauet overstige 85 dB(A); brug høreværn

- Bær beskyttelsesbriller ved bearbejdning af spånproducerende materialer
  - Støv fra materiale som f.eks. maling, der indeholder bly, nogle træsorter, mineraler og metal kan være skadeligt (kontakt med eller indånding af støvet kan forårsage allergiske reaktioner og/eller sygdomme i luftvejene hos den, der anvender værktøjet, eller hos omkringstående); **bær en støvmaske og arbejd med en støvudsugningsanordning, hvor en sådan kan sluttes til**
  - Visse slags støv er klassificeret som kræftfremkaldende (som f.eks. støv fra eg og bøg) især i forbindelse med tilsætningsstoffer til træbehandling; **bær en støvmaske og arbejd med en støvudsugningsanordning, hvor en sådan kan sluttes til**
  - Følg de nationale krav, hvad angår støv, for de materialer, du ønsker at arbejde med
  - Anvend helt udrullede og sikre forlængerledninger med en kapacitet på 16 A
  - **Fjern altid først stikket fra kontakten, førend De foretager nogle ændringer eller skifter tilbehør**
- #### INDEN BRUG
- Fjern alle genstande såvel ovenpå som nedenunder savlinien, for De begynder at save
  - Undgå skader forårsaget af skruer, søm eller andre materialer i arbejdsstykket; fjern disse før De begynder at arbejde
  - **Fastgør emnet** (det er sikrere at holde emner i en fastgøringsanordning eller skruestik end med hånden)

#### UNDER BRUG

- **Hold el-værktøjet i de isolerede gribeblader, når du udfører arbejde, hvor indsatsstilbehøret kan ramme bøjede strømledninger eller el-værktøjets eget kabel** (kontakt med en spændingsførende ledning kan også sætte el-værktøjets metaldele under spænding, hvilket kan føre til elektrisk stød)
- Hold altid ledningen væk fra værktøjets bevægelige dele; for altid ledningen bagud, væk fra værktøjet
- Hvis kablet beskadiges eller skæres over under arbejdet, ikke berør kablet, og straks træk ud stikket
- Brug ikke værktøjet, hvis kablet er beskadiget; få det skiftet ud af en anerkendt fagmand
- I tilfælde af elektrisk eller mekanisk fejlfunktion skal afbryderen straks afbrydes og stikket tages ud af kontakten
- Hold hænderne væk fra savklingen, når værktøjet er i gang

#### TILBEHØR

- SKIL kan kun sikre en korrekt funktion af værktøjet, hvis der benyttes originalt tilbehør
- Brug aldrig savklinger der er sløve, skæve eller på anden måde beskadigede

#### UDENDØRS BRUG

- Når værktøjet anvendes udendørs, skal det forbindes via en fejlstrømsafbryder (FI) med en triggestrøm på 30 mA maksimum, og man må kun anvende en forlængerledning, som er beregnet til udendørs brug og er udstyret med en stænkbeskyttet koblings-stikkontakt

#### EFTER BRUG

- Efter endt arbejde skal afbryderen afbrydes og alle bevægelige dele være stoppet før værktøjet sættes til side



## FORKLARING TIL SYMBOLERNE PÅ VÆRKTØJET

- ③ Læs instruktionen inden brugen
- ④ Dobbelt isolering (jordforbindelse unødvendig)
- ⑤ Værktøj må ikke bortskaffes som almindeligt affald

## BETJENING

- Tænd/sluk ⑥
- Fastlåsnings af afbryderen til vedvarende drift ⑦
- Udskiftning af savklinge ⑧
  - ! **isæt savklingen i fuld dybde med tænderne pegende fremad** ⑨
- Savning ved 45° ⑩
  - Savning ved 45° ⑩
  - det bedste resultat opnås ved at vælge "all/curve" savningsindstilling
  - ! **vær sikker på, at sålen er placeret fladt imod værktøjshuset** (10a eller 10b)
- Valg af savemodus ⑪
  - 1 position ("all/curve") til akkurat savning i alle materialer, lige + kurvede snit
  - 4 positioner til hurtig savning i forskellige materialer, kun lige snit
    - grå = metal
    - blå = plastik
    - brun = hårdt træ
    - grøn = blødt træ
  - ! **vælg altid "all/curve" ved savning i materialer uden let splintre**
- Indstilling af omdrejningstallet efter det anvendte materiale ⑫
  - ! **hvis værktøjet ikke kører med hjulet D i position 1, skal De vælge et højere omdrejningstal og så sætte det ned, mens værktøjet kører**
- Støvopsugning ⑬a
  - ! **brug ikke støvsuger ved savning i metal**
- Støvbælnings ⑬b
- Spotlight ⑭
- Betjening af værktøjet
  - før værktøjet tændes, skal forenden af sålen være placeret fladt imod arbejdsområdet
  - hold om værktøjet med et fast greb, således at De til enhver tid har kontrol over værktøjet
  - ! **under arbejde, hold altid om værktøjet på de grå markerede grebsområde(r)** ⑮
  - vær sikker på, at sålen ligger sikkert på hele fladen
  - ! **vær sikker på, at savklingen står fuldstændigt stille, før De løfter værktøjet væk fra arbejdsområdet**
  - hold ventilationshullerne G ② utildækkede

## GODE RÅD

- Brug rigtige savklinger ⑯
  - ! **brug kun savklinger med T-skaft** ⑰
- Ved savning i metal, sørg for at smøre savklingen jævnlige med olien
- For et akkurat lige snit styr værktøjet med sålen langs kanten af et lige træstykket ⑱
- Forbrø et hul i materialet, før De udfører udsnit ⑲
- Splintfri savning
  - dæk snitlinien med flere lag af bredt tape før De begynder at save
  - læg altid den pæneste side af arbejdsområdet nedad

- For flere tips se [www.skil.com](http://www.skil.com)

## VEDLIGEHOLDELSE/SERVICE

- Dette værktøj er ikke beregnet til professionelt brug
- Hold værktøjet og ledningen ren (især ventilationshullerne G ②)
  - ! **træk stikket ud før rensning**
- Skulle el værktøjet trods omhyggelig fabrikation og kontrol holde op med at fungere, skal reparationen udføres af et autoriseret serviceværksted for SKIL-elektroværktøj
  - send den **uskilte** værktøjet sammen med et købsbevis til forhandleren eller nærmeste SKIL serviceværksted (adresser og reservedelstegning af værktøjet findes på [www.skil.com](http://www.skil.com))

## MILJØ

- **Elværktøj, tilbehør og emballage må ikke bortskaffes som almindeligt affald** (kun for EU-lande)
  - i henhold til det europæiske direktiv 2012/19/EF om bortskaffelse af elektriske og elektroniske produkter og gældende national lovgivning, skal brugt elværktøj indsamles separat og bortskaffes på en måde, der skåner miljøet mest muligt
  - symbolet ⑤ erindrer dig om dette, når udskiftning er nødvendig

## STØJ/VIBRATION

- Måles efter EN 60745 er lydtrykniveau af dette værktøj 90 dB(A) og lydeffektniveau 101 dB(A) (standard deviation: 3 dB), og vibrationsniveauet \* m/s<sup>2</sup> (vektorsum for tre retninger; usikkerhed K = 1,5 m/s<sup>2</sup>)
  - \* ved savning i træ 8,8 m/s<sup>2</sup>
  - \* ved savning i metal 13,3 m/s<sup>2</sup>
- Det vibrationsniveau er målt i henhold til den standardiserede test som anført i EN 60745; den kan benyttes til at sammenligne to stykker værktøj og som en foreløbig bedømmelse af udsættelsen for vibrationer, når værktøjet anvendes til de nævnte formål
  - anvendes værktøjet til andre formål eller med andet eller dårligt vedligehold tilbehør, kan dette **øge** udsættelsesniveauet betydeligt
  - de tidsrum, hvor værktøjet er slukket, eller hvor det kører uden reelt at udføre noget arbejde, kan **reducere** udsættelsesniveauet betydeligt
- ! **beskyt dig selv imod virkningerne af vibrationer ved at vedligeholde værktøjet og dets tilbehør, ved at holde dine hænder varme og ved at organisere dine arbejdsmonstre**

N

Stikksag

4370

## INTRODUKSJON

- Dette værktøjet er beregnet til å utføre utskjæringer og kappinger i tre, kunststoff, metall, keramikkplater og gummi, og er egnet til rette snitt og kurvesnitt ved 0° eller 45°

- Lyset til dette elektroverktøyet brukes til å belyse selve arbeidsområdet, og er ikke egnet som rombelysning i boliger
- Dette verktøyet er ikke beregnet på profesjonell bruk
- Les og ta vare på denne brukerveiledningen ③

## TEKNISKE DATA ①

### VERKTØYELEMENTER ②

- A Av/på bryter
- B Knapp til låsing av bryteren
- C Hendel for valg av sagmodus
- D Hjul for slagtaillregulering
- E Bryter for støvblåsning
- F Spotlight
- G Ventilasjonsåpninger

## SIKKERHET

### GENERELLE SIKKERHETSANVISNINGER

#### **⚠ OBS! Les gjennom alle advarslene og anvisningene.**

Feil ved overholdelsen av advarslene og nedenstående anvisninger kan medføre elektriske støt, brann og/eller alvorlige skader. **Ta godt vare på alle advarslene og informasjonene.** Det nedenstående anvendte uttrykket "elektroverktøy" gjelder for strømdeivne elektroverktøy (med ledning) og batteridrevne elektroverktøy (uten ledning).

#### 1) SIKKERHET PÅ ARBEIDSPLASSEN

- a) **Hold arbeidsområdet rent og ryddig.** Rotete arbeidsområder eller arbeidsområder uten lys kan føre til ulykker.
- b) **Ikke arbeid med maskinen i eksplosjonsutsatte omgivelser – der det befinner seg brennbare væsker, gass eller støv.** Elektroverktøy lager gnister som kan antenne støv eller damper.
- c) **Hold barn og andre personer unna når elektroverktøyet brukes.** Hvis du blir forstyrret under arbeidet, kan du miste kontrollen over maskinen.

#### 2) ELEKTRISK SIKKERHET

- a) **Støpselet til maskinen må passe inn i stikkkontakten. Støpselet må ikke forandres på noen som helst måte. Ikke bruk adapterstøpsler sammen med jordede maskiner.** Bruk av støpsler som ikke er forandret på og passende stikkontakter reduserer risikoen for elektriske støt.
- b) **Unngå kroppskontakt med jordede overflater slik som rør, ovner, komfyrer og kjøleskap.** Det er større fare ved elektriske støt hvis kroppen din er jordet.
- c) **Hold maskinen unna regn eller fuktighet.** Dersom det kommer vann i et elektroverktøy, øker risikoen for elektriske støt.
- d) **Ikke bruk ledningen til andre formål, f.eks. til å bære maskinen, henge den opp eller trekke den ut av stikkkontakten. Hold ledningen unna varme, olje, skarpe kanter eller maskindeler som beveger seg.** Med skadede eller opphopede ledninger øker risikoen for elektriske støt.
- e) **Når du arbeider utendørs med et elektroverktøy, må du kun bruke en skjøteledning som er godkjent til utendørs bruk.** Når du bruker en skjøteledning som er

egnet for utendørs bruk, reduseres risikoen for elektriske støt.

- f) **Hvis det ikke kan unngås å bruke elektroverktøyet i fuktige omgivelser, må du bruke en jordfeilbryter.** Bruk av en jordfeilbryter reduserer risikoen for elektriske støt.

#### 3) PERSONSIKKERHET

- a) **Vær oppmerksom, pass på hva du gjør, gå fornuftig frem når du arbeider med et elektroverktøy. Ikke bruk maskinen når du er tretth eller er påvirket av narkotika, alkohol eller medikamenter.** Et øyeblikks uoppmerksomhet ved bruk av maskinen kan føre til alvorlige skader.
  - b) **Bruk personlig verneutstyr og husk alltid å bruke vernebriller.** Bruk av personlig sikkerhetsutstyr som støvmaske, sklifaste arbeidssko, hjelm eller hørselvern – avhengig av type og bruk av elektroverktøyet – reduserer risikoen for skader.
  - c) **Unngå å starte verktøyet ved en feiltagelse. Forviss deg om at elektroverktøyet er slått av før du kobler det til strømmen og/eller batteriet, løfter det opp eller bærer det.** Hvis du holder fingeren på bryteren når du bærer elektroverktøyet eller kobler elektroverktøyet til strømmen i innkoblet tilstand, kan dette føre til uhell.
  - d) **Fjern innstillingsverktøy eller skrunøkler før du slår på elektroverktøyet.** Et verktøy eller en nøkkel som befinner seg i en roterende maskindel, kan føre til skader.
  - e) **Ikke overvurder deg selv. Sørg for å stå stødig og i balanse.** Dermed kan du kontrollere maskinen bedre i uventede situasjoner.
  - f) **Bruk alltid egnede klær. Ikke bruk vide klær eller smykker. Hold hår, tøy og hansker unna deler som beveger seg.** Løstsittende tøy, smykker eller langt hår kan komme inn i deler som beveger seg.
  - g) **Hvis det kan monteres støvavsug- og oppsamlingsinnretninger, må du forviss deg om at disse er tilkoblet og brukes på korrekt måte.** Bruk av et støvavsug reduserer farer på grunn av støv.
- #### 4) AKTSOM HÅNTERING OG BRUK AV ELEKTROVERKTØY
- a) **Ikke overbelast maskinen. Bruk et elektroverktøy som er beregnet til den type arbeid du vil utføre.** Med et passende elektroverktøy arbeider du bedre og sikrere i det angitte effektområdet.
  - b) **Ikke bruk elektroverktøy med defekt på-/avbryter.** Et elektroverktøy som ikke lenger kan slås av eller på, er farlig og må repareres.
  - c) **Trekk støpselet ut av stikkkontakten og/eller fjern batteriet før du utfører innstillinger på elektroverktøyet, skifter tilbehørsdeler eller legger maskinen bort.** Disse tiltakene forhindrer en utilsiktet startung av maskinen.
  - d) **Elektroverktøy som ikke er i bruk må oppbevares utilgjengelig for barn. Ikke la maskinen brukes av personer som ikke er fortrolig med dette eller ikke har lest disse anvisningene.** Elektroverktøy er farlige når de brukes av uerfarne personer.
  - e) **Vær nøye med vedlikeholdet av maskinen. Kontroller om bevegelige maskindeler fungerer feilfritt og ikke klemmes fast, og om deler er brukket eller skadet, slik at dette innvirker på maskinens funksjon. La skadede deler repareres før maskinen**

**brukes.** Dårlig vedlikeholdte elektroverktøy er årsaken til mange uhell.

- f) **Hold skjæreverktøyene skarpe og rene.** Godt stelte skjæreverktøy med skarpe skjær setter seg ikke så ofte fast og er lettere å føre.
- g) **Bruk elektroverktøy, tilbehør, verktøy osv. i henhold til disse anvisningene. Ta hensyn til arbeidsforholdene og arbeidet som skal utføres.** Bruk av elektroverktøy til andre formål enn det som er angitt kan føre til farlige situasjoner.
- 5) SERVICE**
- a) **Maskinen din skal alltid kun repareres av kvalifisert fagpersonale og kun med originale reservedeler.** Slik opprettholdes maskinens sikkerhet.

## SIKKERHEDSINSTRUKSER FOR STIKSAVE

### GENERELL

- Sjekk alltid at tilført spenningen er den samme som oppgitt på verktøyets merkeplate (verktøy som er betegnet med 230V eller 240V kan også koples til et 220V strømuttak)
- Sjekk at verktøyet er i funksjonell stand før det tas i bruk; hvis verktøyet er defekt, skal det alltid repareres av fagfolk; du må aldri åpne verktøyet selv
- **Ikke bearbeid asbestholdig material** (asbest kan fremkalle kreft)
- Verktøyet må ikke brukes av personer under 16 år
- Støynivået under arbeid kan overskride 85 dB(A); bruk hørselvern
- Bruk beskyttelsesbriller ved arbeider med material som lager flis
- Støv fra materialer som blyholdig maling, visse tresorter, mineraler og metall kan være skadelig (kontakt med eller inhalering av støv kan gi allergiske reaksjoner og/eller sykdommer i åndedretsorganene for brukeren eller personer i nærheten); **bruk støvmaske og arbeid med støvfjerningsutstyr når det er mulig**
- Visse typer støv er klassifisert som kreftfremkallende (som f.eks. støv fra eik og bøk), spesielt sammen med tilsetningsstoffer for trebehandling; **bruk støvmaske og arbeid med støvfjerningsutstyr når det er mulig**
- Følg de nasjonale krav, når det gjelder støv for de materialer du ønsker å arbeide med
- Bruk helt utrullet og sikker skjøteledning med en kapasitet på 16 A
- **Ta alltid ut kontakten før du forandrer innstillinger på sagen eller skifter tilbehør**

### FØR BRUK

- Rydd unna alle hindringer i arbeidsområdet før du begynner å sage
- Ungå skade p.g.a. skruer, spiker eller andre elementer i arbeidsstykket; fjernes før man starter jobben
- **Sett fast arbeidsstykket** (et arbeidsstykke som er sikret med klemmer, sitter sikrere enn om det holdes fast for hånd)

### UNDER BRUK

- **Hold elektroverktøyet på de isolerte gripeflatene, hvis du utfører arbeid der innsattstilbehøret kan treffe på skjulte strømledninger eller den egne strømledningen** (kontakt med en spenningsførende ledning kan også sette elektroverktøyets metalldele under spenning og føre til elektriske støt)

- Hold alltid kabelaen borte fra bevegelige deler på verktøyet; før kabelaen bakover bort fra verktøyet
- Hvis kabelaen skades eller kappes under arbeid må kabelaen ikke berøres, men støpselet straks trekkes ut
- Bruk ikke verktøyet dersom kabel er skadet; få den skiftet ud af en anerkendt fagmand
- I tilfelle en elektrisk eller mekanisk svikt, skal verktøyet med en gang slås av og støpslet trekkes ut
- Hold hendene unna sagbladet mens motoren er i gang

### TILBEHØR

- SKIL kan kun garantere et feilfritt verktøy dersom original-tilbehør brukes
- Bruk aldri skjevt, deformert eller sløvt sagblad

### BRUK

- Når verktøyet skal brukes utendørs, må det koples til en feilstørbryter (FI) feilstørbryter som vil kople ut på 30 mA maksimum; det skal også bare brukes skjøteledninger som er beregnet for bruk utendørs og som er utstyrt med sprutsikker stikkontakt

### ETTER BRUK

- Når du setter bort verktøyet må bryteren slås av, bevegelige deler må være helt stoppet

### FORKLARING AV SYMBOLER PÅ VERKTØY

- ③ Les instruksjonsboken før bruk
- ④ Dobbeltisolert (ikke nødvendig med jordingsleder)
- ⑤ Kast aldri verktøyt i husholdningsavfallet

## BRUK

- Av/på ⑥
- Låsning av bryteren for permanent drift ⑦
- Bladbytte ⑧
- ! **sett bladet helt inn med tennene forover** ⑨
- Saging ved 45° ⑩
- for best resultat, velg "all/curve" sagefunksjon
- ! **pass på at fotsålen hviler flatt mot verktøyhuset** (⑩a eller ⑩b)
- Valg av sagefunksjon ⑪
- 1 stilling ("all/curve") for nøyaktig saging i alle materiale, rette snitt + kurvesnitt
- 4 stillinger for rask saging i forskjellige materiale, kun rette snitt
- grå = metall
- blå = plastikk
- brun = hard tre
- grøn = mykt tre
- ! **velg alltid "all/curve" når man sager i splint-ømfintlig materiale**
- Justering av slagtalet tilpasses til materialet ⑫
- ! **hvis verktøyet ikke går med hjulet D i stilling 1, velg en høyere slagtalet, men senk slagtalet mens verktøyet går**
- Støvoppsuging ⑬a
- ! **bruk ikke støvsuger ved skjæring i metall**
- Støvblåsning ⑬b
- Spotlight ⑭
- Bruk av verktøyet
- for innkopling, pass alltid på at fotsiden av fotsåle ligger flatt på arbeidsstykket
- hold verktøyet godt fast slik at du alltid har full kontroll over verktøyet
- ! **under arbeid, hold verktøyet alltid i grått(gråe) grepsområde(r) ⑮**

- forsikre deg om at fotsålen ligger sikkert på hele flaten
- ! **forsikre deg om at bladet har stoppet helt før du løfter verktøyet fra arbeidsstykket**
- hold ventilasjonsåpningen G ② utildekket

## BRUKER TIPS

- Bruk riktig sagblad ⑩
- ! **bruk kun sagblad med T-tange ⑰**
- Ved boring i metaller, smør sagbladet regelmessig med olje
- For nøyaktig rette kutt, før verktøyet med fotsålen mot kanten av et rett stykke tre ⑱
- Bor først et hull før man starter saging av utskjæringer ⑲
- Splintfri saging
  - skjærm snittlinjen med flere lager av vide tape før man starter sagingen
  - sag alltid på baksiden av materialet
- Se flere tips på [www.skil.com](http://www.skil.com)

## VEDLIKEHOLD / SERVICE

- Dette verktøyet er ikke beregnet på profesjonell bruk
- Hold alltid verktøyet og kabelen ren (spesielt ventilasjonshullene G ②)
- ! **dra ut støpselet for rengjøring**
- Hvis elektroverktøyet til tross for omhyggelige produksjons- og kontrollmetoder en gang skulle svikte, må reparasjonen utføres av et autorisert serviceverksted for SKIL-elektroverktøy
- send verktøyet i **montert** tilstand sammen med kjøpebevis til forhandleren eller nærmeste SKIL servicesenter (adresser liksom service diagram av verktøyet finner du på [www.skil.com](http://www.skil.com))

## MILJØ

- **Kast aldri elektroverktøy, tilbehør og emballasje i husholdningsavfallet** (kun for EU-land)
  - i henhold til EU-direktiv 2012/19/EF om kasserte elektriske og elektroniske produkter og direktivets iverksetting i nasjonal rett, må elektroverktøy som ikke lenger skal brukes, samles separat og returneres til et miljøvennlig gjenvinningsanlegg
  - symbolet ⑤ er påtrykt som en påminnelse når utskiftning er nødvendig

## STØY/VIBRASJON

- Målt ifølge EN 60745 er lydtrykknivået av dette verktøyet 90 dB(A) og lydstyrkenivået 101 dB(A) (standard deviasjon: 3 dB), og vibrasjonsnivået \* m/s<sup>2</sup> (vektorsum fra tre retninger; usikkerhet K = 1,5 m/s<sup>2</sup>)
  - \* ved skjæring i tre 8,8 m/s<sup>2</sup>
  - \* ved skjæring i metall 13,3 m/s<sup>2</sup>
- Det avgitte vibrasjonsnivået er blitt målt i samsvar med en standardisert test som er angitt i EN 60745; den kan brukes til å sammenligne et verktøy med et annet, og som et foreløpig overslag over eksponering for vibrasjoner ved bruk av verktøyet til de oppgavene som er nevnt
  - bruk av verktøyet til andre oppgaver, eller med annet eller mangelfullt vedlikeholdt utstyr, kan gi en vesentlig økning av eksponeringsnivået

- tidsrommene når verktøyet er avslått eller når det går men ikke arbeider, kan gi en vesentlig **reduksjon** av eksponeringsnivået
- ! **beskytt deg selv mot virkningene av vibrasjoner ved å vedlikeholde verktøyet og utstyret, holde hendene varme og organisere arbeidsmåten din**

FIN

## Pistosaha

4370

## ESITTELY

- Koneet on tarkoitettu suorittamaan katkaisu ja aukkosahaauksia puuhun, muoviin, metalliin, keraamisiin laattoihin ja kumiin, ja soveltuu suorille ja kaareville sahauskille; kahteen suuntaan säädettävän pohjanlevyn ansiosta viistosahaukseen 0° tai 45° asteen kulmassa
- Sähkötyökalun valo on tarkoitettu sähkötyökalun työalueen suoraan valaisuun, se ei sovellu kotitalouden huonevaloksi
- Tätä työkalua ei ole tarkoitettu ammattikäyttöön
- Lue ja säilytä tämä ohjekirja ③

## TEKNISET TIEDOT ①

### LAITTEEN OSAT ②

- A Käynnistyskytkin
- B Kytkimen lukituksen painike
- C Vipu sahaustilan valitsemista varten
- D Sahausnopeudensäätöpyörä
- E Kytkin pölynpuhallukselle
- F Kohdevalo
- G Ilmanvaihto-aukot

## TURVALLISUUS

### YLEISET TURVALLISUUSOHJEET

**⚠ HUOMIO! Lue kaikki turvallisuus- ja muut ohjeet.** Turvallisuusohjeiden noudattamisen laiminlyönti saattaa johtaa sähköiskuun, tulipaloon ja/tai vakavaan loukkaantumiseen. **Säilytä kaikki turvallisuus- ja muut ohjeet tulevaisuutta varten.** Turvallisuusohjeissa käytetty käsite "sähkötyökalu" käsittää verkkokäyttöisiä sähkötyökaluja (verkkojohdolla) ja akkukäyttöisiä sähkötyökaluja (ilman verkkojohtoa).

### 1) TYÖPAIKAN TURVALLISUUS

- Pidä työskentelyalue puhtaana ja hyvin valaistuna.** Työpaikan epäjärjestys tai valaisemattomat työalueet voivat johtaa tapaturmiin.
- Älä työskentele sähkötyökalulla räjähdysalttiissa ympäristössä, jossa on palavaa nestettä, kaasua tai pölyä.** Sähkötyökalu muodostaa kipinöitä, jotka saattavat sytyttää pölyn tai höyryt.
- Pidä lapset ja sivulliset loitolla sähkötyökalua käyttäessäsi.** Voit menettää laitteesi hallinnan, huomiosi suuntautuessa muualle.

## 2) SÄHKÖTURVALLISUUS

- a) **Sähkötyökalun pistotulpan tulee sopia pistorasiaan. Pistotulppaa ei saa muuttaa millään tavalla. Älä käytä mitään pistorasia-adaptoreita maadoitettujen sähkötyökalujen kanssa.** Alkuperäisessä kunnossa olevat pistotulpat ja sopivat pistorasiat vähentävät sähköiskun vaaraa.
- b) **Vältä koskettamasta maadoitettuja pintoja, kuten putkia, pattereita, liesiä tai jääkaappeja.** Sähköiskun vaara kasvaa, jos kehosi on maadoitettu.
- c) **Älä aseta sähkötyökalua alttiiksi sateelle tai kosteudelle.** Veden tunkeutuminen sähkötyökalun sisään kasvattaa sähköiskun riskiä.
- d) **Älä käytä verkkojohtoa väärin. Älä käytä sitä sähkötyökalun kantamiseen, vetämiseen tai pistotulpan irrottamiseen pistorasiasta. Pidä johto loitolla kuumuudesta, öljyistä, terävistä reunoina ja liikkuvista osista.** Vahingoittuneet tai soikeutuneet johdot kasvattavat sähköiskun vaaraa.
- e) **Käyttäessäsi sähkötyökalua ulkona, käytä ainoastaan ulkoikäyttöön soveltuvaa jatkojohtoa.** Ulkoikäyttöön soveltuvan jatkojohtoon käyttö pienentää sähköiskun vaaraa.
- f) **Jos sähkötyökalun käyttö kosteassa ympäristössä ei ole välttämätöntä, tulee käyttää maavuotokatkaisijaa.** Maavuotokatkaisijan käyttö vähentää sähköiskun vaaraa.

## 3) HENKILÖTURVALLISUUS

- a) **Ole valpas, kiinnitä huomiota työskentelyysi ja noudata tervettä järkeä sähkötyökalua käyttäessäsi. Älä käytä sähkötyökalua, jos olet väsynyt tai huumeiden, alkoholin tahi lääkkeiden vaikutuksen alaisena.** Hetken tarkkaamattomuus sähkötyökalua käytettäessä, saattaa johtaa vakavaan loukkaantumiseen.
- b) **Käytä suojavarusteita. Käytä aina suojalaseja.** Henkilökohtaisen suojavarustuksen käyttö, kuten pölynaamarin, luistamattomien turvakienien, suojakypärän tai kuulonsuojaimien, riippuen sähkötyökalun lajista ja käyttötavasta, vähentää loukkaantumiskäyttöä.
- c) **Vältä tahatonta käynnistämistä. Varmista, että sähkötyökalu on poiskytkettyä, ennen kuin liität sen sähköverkkoon ja/tai liität akun, otat sen käteen tai kannat sitä.** Jos kannat sähkötyökalua sormi käynnistyskytkimellä tai kytket sähkötyökalun pistotulpan pistorasiaan, käynnistyskytkimen ollessa käyntiasennossa, altistat itsesi onnettomuuksille.
- d) **Poista kaikki säätötyökalut ja ruuvitaltat, ennen kuin käynnistät sähkötyökalun.** Työkalu tai avain, joka sijaitsee laitteen pyöriässä osassa, saattaa johtaa loukkaantumiseen.
- e) **Älä yliarvioi itseäsi. Huolehdi aina tukevasta seisoma-asennosta ja tasapainosta.** Täten voit paremmin hallita sähkötyökalua odottamattomissa tilanteissa.
- f) **Käytä tarkoitukseen soveltuvia vaatteita. Älä käytä löysiä työvaatteita tai koruja. Pidä hiukset, vaatteet ja käsineet loitolla liikkuvista osista.** Väljät vaatteet, korut ja pitkät hiukset voivat takertua liikkuviin osiin.
- g) **Jos pölynimu- ja keräilylaitteita voidaan asentaa, tulee sinun tarkistaa, että ne on liitetty ja että ne**

**käytetään oikealla tavalla.** Pölynimulaitteiston käyttö vähentää pölyn aiheuttamia vaaroja.

## 4) SÄHKÖTYÖKALUJEN KÄYTTÖ JA HOITO

- a) **Älä ylikuormita laitetta. Käytä kyseiseen työhön tarkoitettua sähkötyökalua.** Sopivaa sähkötyökalua käyttäen työskentelet paremmin ja varmemmin tehoalueella, jolle sähkötyökalu on tarkoitettu.
- b) **Älä käytä sähkötyökalua, jota ei voida käynnistää ja pysäyttää käynnistyskytkimestä.** Sähkötyökalu, jota ei enää voida käynnistää ja pysäyttää käynnistyskytkimellä, on vaarallinen ja se täytyy korjata.
- c) **Irrota pistotulppa pistorasiasta, ennen kuin suoritat säätöjä, vaihdat tarvikkeita tai siirrä sähkötyökalun varastoitavaksi.** Nämä turvatoimenpiteet pienentävät sähkötyökalun tahattoman käynnistysriskin.
- d) **Säilytä sähkötyökalut poissa lasten ulottuvilta, kun niitä ei käytetä. Älä anna sellaisen henkilöiden käyttää sähkötyökalua, jotka eivät tunne sitä tai jotka eivät ole lukeneet tätä käyttöohjetta.** Sähkötyökalut ovat vaarallisia, jos niitä käyttävät kokemattomat henkilöt.
- e) **Hoida sähkötyökalusi huolella. Tarkista, että liikkuvat osat toimivat moitteettomasti, eivätkä ole puristuksessa sekä, että siinä ei ole murtuneita tai vahingoittuneita osia, jotka saattaisivat vaikuttaa haitallisesti sähkötyökalun toimintaan. Anna korjauttaa mahdolliset viat ennen käyttöönottoa.** Monen tapaturman syyt löytyvät huonosti huolletuista laitteista.
- f) **Pidä leikkausterät terävinä ja puhtaina.** Huolellisesti hoidetut leikkaustyökalut, joiden leikkausreunat ovat teräviä, eivät tartu helposti kiinni ja niitä on helpompi hallita.
- g) **Käytä sähkötyökaluja, tarvikkeita, vaihtotyökaluja jne. näiden ohjeiden mukaisesti. Ota tällöin huomioon työolosuhteet ja suoritettava toimenpide.** Sähkötyökalun käyttö muuhun kuin sille määrättyyn käyttöön, saattaa johtaa vaarallisiin tilanteisiin.

## 5) HYLTO

### a) Anna koulutettujen ammattihenkilöiden korjata sähkötyökalusi ja hyväksy korjauksiin vain alkuperäisiä varaosia.

Täten varmistat, että sähkötyökalu säilyy turvallisena.

## PISTOSAHAN TURVALLISUUSOHJEET

### YLEISTÄ

- Tarkista aina, että syöttöjännite on sama kuin työkalun nimiltaan osoittama jännite (työkalut, joiden jännitetaso on 230V tai 240V, voidaan kytkeä myös 220V tason jännitteeseen)
- Tarkista työkalun toiminta aina ennen sen käyttöä ja mahdollisen vian löytyessä anna se välittömästi ammattitaitoisen henkilön korjattavaksi; älä koskaan itse avaa työkalua
- **Älä koskaan työstä asbestipitoista ainetta** (asbestia pidetään karsinogeenisena)
- Tätä työkalua saavat käyttää vain 16 vuotta täyttäneet henkilöt
- Työskennellessä melutaso saattaa ylittää 85 dB(A); jolloin suositellaan kuulonsuojaimien käyttöä
- Työstettäessä on käytettävä suojalaseja

- Materiaaleista, kuten lyijypitoinen maali, jotkut puulajit, mineraalit ja metalli, tuleva pöly voi olla vahingollista (kosketuksiin joutuminen pölyn kanssa tai sen sisään hengittäminen voi aiheuttaa käyttäjälle tai sivustakatsojille allergiareaktioita ja/tai hengitysvaivoja); **käytä pölynaamaria ja työskentele pölynpoistolaitteen kanssa, kun sellainen on liitettävissä**
- Tietyn tyyppiset pölyt on luokiteltu karsinogeenisiksi (kuten tammi- ja pyökkipöly) erityisesti puun käsittelyyn käytettävien lisäaineiden yhteydessä; **käytä pölynaamaria ja työskentele pölynpoistolaitteen kanssa, kun sellainen on liitettävissä**
- Noudata maakohtaisia pölyyn liittyviä sääntöjä
- Käytä täysin rullaamattomia ja turvallisia jatkejohtoja, joiden kapasiteetti on 16 ampeeria
- **Irrota aina pistotulppa pistorasiasta, ennen kuin suoritat laitteelle mitään säätöjä tai vaihdat tarviketta**

### ENNEN KÄYTTÖÄ

- Poista kaikki esteet sahauslinjan ylä- ja alapuolelta ennen sahausta
- Vältä vaaralliset vahingot, jotka voivat aiheutua nauloista, ruuveista tai muista aineista työstettävässä materiaalissa; poista ne ennen työskentelyn aloittamista
- **Kiinnitä työstettävä kappale** (kiinnittimeen tai puristimeen kiinnitetty työstettävä kappale pysyy tukevammin paikoillaan kuin käsin pidettäessä)

### KÄYTÖN AIKANA

- **Tartu sähkötyökaluun ainoastaan eristetyistä pinnoista, tehdessäsi työtä, jossa vaihtotyökalu saattaisi osua pilossa olevaan sähköjohtoon tai sähkötyökaluun omaan sähköjohtoon** (kosketus jännitteeseen johtoon voi saattaa sähkötyökaluun metalliosat jännitteisiksi ja johtaa sähköiskuun)
- Pidä johto aina poissa työkalun liikkuvien osien läheisyydestä; kohdista johto takaosaa kohti pois työkalusta
- Jos sähköjohto vahingoittuu tai katkeaa työn aikana ei johtoa saa koskettaa, vaan pistotulppa on välittömästi irrotettava pistorasiasta
- Älä käytä työkalua, kun johto on vioittunut; vaan toimita se valtuutettuun huoltoliikkeeseen
- Jos huomaat sähköisen tai mekaanisen vian, sammuta kone heti ja irrota liitosjohto pistorasiasta
- Pidä kädet etäällä pyörivästä sahanterästä

### VARUSTEET

- SKIL pystyy takaamaan työkalun moitteettoman toiminnan vain, kun käytetään alkuperäisiä tarvikkeita
- Älä käytä rikkiinistä, tylsää tai vääntynyttä sahanterää

### KÄYTTÖ ULKOTILASSA

- Ulkotilassa käytettäessä liitä työkalu vikavirran (FI) piirikatkaisimen kautta laukaisuvirtaan, jonka maksimi on 30 mA ka; käytä vain sellaista jatkejohtoa, joka on tarkoitettu ulkotilassa käytettäväksi ja varustettu roiskevedenpitävällä kytkentäliittimellä

### KÄYTÖN JÄLKEEN

- Kun panet koneen pois, sammuta moottori ja varmista, että kaikki liikkuvat osat ovat pysähtyneet

### TYÖKALUN SYMBOLIEN SELITYKSET

- ③ Lue käyttöohjeet ennen käyttöä
- ④ Kaksoiseristys (ei tarvita maajohtoa)
- ⑤ Älä hävitä konetta tavallisen kotitalousjätteen mukana

## KÄYTTÖ

- Käynnistys/pysäytys ⑥
- Kytkimen lukitseminen jatkuvaa käyttöä varten ⑦
- Sahanterien vaihto ⑧
  - ! **työnnä terä aivan pohjaan; hampaiden on osoitettava eteenpäin** ⑨
- Sahaus 45° kulmassa ⑩
  - parhaiden tulosten saavuttamiseksi valitse sahaustila "all/curve"
  - ! **varmista, että jalkalaatta lepää vaakasuoraan työkalukoteloa vastaan** (⑩a tai ⑩b)
- Sahaustilan valinta ⑪
  - 1 asento ("all/curve") antamaan tarkka katkaisusahaus kaikissa materiaaleissa, suoria + kaarevia
  - 4 asentoa antamaan nopea katkaisusahaus eri materiaaleissa, vain suoria
  - harmaa = metalli
  - sininen = muovi
  - ruskea = kova puu
  - vihreä = pehmeä puu
  - ! **valitse aina toiminnoksi "all/curve" helposti repeytyviä materiaaleja sahattaessa**
- Sahausnopeuden säätö käytettävään materiaaliin nähden ⑫
  - ! **jos työkalu ei aja pyörän D ollessa asennossa 1, valitse korkeampi sahausnopeus ja alenna sahausnopeutta työkalun ajon aikana**
- Pölynimi ⑬a
  - ! **älä käytä pölynimuria kun sahaat metalleja**
- Pölypuhallustoiminto ⑬b
- Kohdevalo ⑭
- Työkaluun käyttö
  - ennen koneen käynnistystä varmista aina, että etuosa lepää etusivu tukea tasaisesti työkappaleen päällä
  - pidä konetta tukevalla otteella niin, että hallitset koneen täydellisesti koko ajan
  - ! **pidä työkalusta kiinni aina työskentelyn aikana harmaan värisestä kädensija(oista)** ⑮
  - varmista, että aikana tulee tukea koko pinnaltaan työkappaleeseen
  - ! **varmista, että terä on täysin pysähtynyt, ennen kuin irrotat sen työkappaleesta**
  - pidä ilmanvaihto-aukkoja G ② peittämättöminä

## VINKKEJÄ

- Käytä oikeita sahanteriä ⑮
- ! **käytä vain T-vartiset sahanteriä** ⑰
- Metallia sahattaessa voitele sahanteriä öljyllä säännöllisin väliajoin
- Tarkan ja suoran katkaisusahauksen saamiseksi ohjaa työkalua jalkalaatalla suorareunaisen puupalasen reunaa pitkin ⑱
- Poraa alkureikä ennen aukkojen sahaamista ⑲
- Repeämätön katkaisusahaus
  - peitä sahauslinja useilla kerroksilla teippiä ennen sahausken suorittamista
  - aseta työstettävänä olevan kappaleen hyvä puoli aina alaspäin
- Lisävinkkejä on tarjolla web-osoitteessa [www.skil.com](http://www.skil.com)

## HOITO / HUOLTO

- Tätä työkalua ei ole tarkoitettu ammattikäyttöön
- Pidä työkalu ja johto puhtaina (varmistaa erityisesti ilma-aukkojen puhtaus G ②)
- ! **irrota liitosjohto aina puhdistuksen ajaksi pistorasiasta**
- Jos sähkötyökalussa, huolellisesta valmistuksesta ja koestusmenettelystä huolimatta esiintyy vikaa, tulee korjaus antaa SKIL sopimushuollon tehtäväksi
  - toimita työkalu sitä osiin **purkamatta** lähimpään SKIL-huoltoon (osoitteet ja työkalun huoltokaava ovat tarjolla web-osoitteessa [www.skil.com](http://www.skil.com)) ostotodiste mukaan liitettynä

## YMPÄRISTÖNSUOJELU

- **Älä hävitä sähkötyökalua, tarvikkeita tai pakkausta tavallisen kotitalousjätteen mukana** (koskee vain EU-maita)
  - vanhoja sähkö- ja elektroniikkalaitteita koskevan EU-direktiivin 2012/19/ETY ja sen maakohtaisten sovellusten mukaisesti käytetyt sähkötyökalut on toimitettava ongelmajätteen keräyspisteeseen ja ohjattava ympäristöystävälliseen kierrätykseen
  - symboli ⑤ muistuttaa tästä, kun käytöstä poisto tulee ajankohtaiseksi

## MELU/TÄRINÄ

- Mitattuna EN 60745 mukaan työkalun melutaso on 90 dB(A) ja yleensä työkalun äänen voimakkuus on 101 dB(A) (keskihajonta: 3 dB), ja tärinän voimakkuus \* m/s<sup>2</sup> (kolmen suunnan vektorisumma; epävarmuus K = 1,5 m/s<sup>2</sup>)
  - \* puun sahattaessa 8,8 m/s<sup>2</sup>
  - \* metallin sahattaessa 13,3 m/s<sup>2</sup>
- Tärinäsäteilytaso on mitattu standardin EN 60745 mukaisen standarditestin mukaisesti; sitä voidaan käyttää verrattaessa yhtä laitetta toiseen sekä alustavana tärinälle altistumisen arviona käytettäessä laitetta manituissa käyttötarkoituksissa
  - laitteen käyttö eri käyttötarkoituksiin tai erilaisten tai huonosti ylläpidettyjen lisälaitteiden kanssa voi **lisätä** merkittävästi altistumistasoa
  - laitteen ollessa sammuksissa tai kun se on käynnissä, mutta sillä ei tehdä työtä, altistumistaso voi olla huomattavasti **pienempi**
- ! **suojaudu tärinän vaikutuksilta ylläpitämällä laite ja sen lisävarusteet, pitämällä kädet lämpiminä ja järjestämällä työmenetelmät**

E

Sierra caladora

4370

## INTRODUCCIÓN

- Esta herramienta ha sido proyectada para efectuar cortes y recortes en madera, materiales sintéticos, planchas cerámicas y caucho, y es adecuada para efectuar cortes rectos y en curva a 0° o 45°

- La luz de esta herramienta eléctrica está concebida para iluminar directamente el área de alcance de la herramienta y no para iluminar las habitaciones de una casa
- Esta herramienta no está concebida para uso profesional
- Lea y conserve este manual de instrucciones ③

## DATOS TÉCNICOS ①

### ELEMENTOS DE LA HERRAMIENTA ②

- A Interruptor para encendido/apagado
- B Botón para bloquear el interruptor
- C Palanca para seleccionar el modo de aserrado
- D Rueda para ajustar el número de carreras
- E Interruptor para soplador de polvo
- F Luz direccional
- G Ranuras de ventilación

## SEGURIDAD

### INSTRUCCIONES GENERALES DE SEGURIDAD

**⚠ ¡ATENCIÓN! Lea íntegramente estas advertencias de peligro e instrucciones.** En caso de no atenderse a las advertencias de peligro e instrucciones siguientes, ello puede ocasionar una descarga eléctrica, un incendio y/o lesión grave. **Guardar todas las advertencias de peligro e instrucciones para futuras consultas.** El término "herramienta eléctrica" empleado en las siguientes advertencias de peligro se refiere a herramientas eléctricas de conexión a la red (con cable de red) y a herramientas eléctricas accionadas por acumulador (o sea, sin cable de red).

#### 1) SEGURIDAD DEL PUESTO DE TRABAJO

- a) **Mantenga limpia y bien iluminada su área de trabajo.** El desorden o una iluminación deficiente en las áreas de trabajo pueden provocar accidentes.
- b) **No utilice la herramienta eléctrica en un entorno con peligro de explosión, en el que se encuentren combustibles líquidos, gases o material en polvo.** Las herramientas eléctricas producen chispas que pueden llegar a inflamar los materiales en polvo o vapores.
- c) **Mantenga alejados a los niños y otras personas de su área de trabajo al emplear la herramienta eléctrica.** Una distracción le puede hacer perder el control sobre la herramienta.

#### 2) SEGURIDAD ELÉCTRICA

- a) **El enchufe de la herramienta debe corresponder a la toma de corriente utilizada. No es admisible modificar el enchufe en forma alguna. No emplear adaptadores en herramientas dotadas con una toma de tierra.** Los enchufes sin modificar adecuados a las respectivas tomas de corriente reducen el riesgo de una descarga eléctrica.
- b) **Evite que su cuerpo toque partes conectadas a tierra como tuberías, radiadores, cocinas y refrigeradores.** El riesgo a quedar expuesto a una descarga eléctrica es mayor si su cuerpo tiene contacto con tomas de tierra.

- c) **No exponga las herramientas eléctricas a la lluvia o a condiciones de humedad.** Existe el peligro de recibir una descarga eléctrica si penetran líquidos en la herramienta.
- d) **No utilice el cable de red para transportar o colgar la herramienta, ni tire de él para sacar el enchufe de la toma de corriente. Mantenga el cable de red alejado del calor, aceite, esquinas cortantes o piezas móviles.** Los cables de red dañados o enredados pueden provocar una descarga eléctrica.
- e) **Al trabajar con la herramienta eléctrica en la intemperie utilice solamente cables de prolongación homologados para su uso en exteriores.** La utilización de un cable de prolongación adecuado para su uso en exteriores reduce el riesgo de una descarga eléctrica.
- f) **Si el funcionamiento de una herramienta eléctrica en un lugar húmedo fuese inevitable, utilice un cortacircuito de fuga a tierra.** El uso de un cortacircuito de fuga a tierra reduce el riesgo de descarga eléctrica.

### 3) SEGURIDAD DE PERSONAS

- a) **Esté atento y emplee la herramienta con prudencia. No utilice la herramienta eléctrica si estuviese cansado, ni bajo los efectos de alcohol, drogas o medicamentos.** El no estar atento durante el uso de una herramienta eléctrica puede provocarle serias lesiones.
- b) **Utilice un equipo de protección personal y en todo caso unas gafas de protección.** El riesgo a lesionarse se reduce considerablemente si, dependiendo del tipo y la aplicación de la herramienta eléctrica empleada, se utiliza un equipo de protección adecuado como una mascarilla antipolvo, zapatos de seguridad con suela antideslizante, casco, o protectores auditivos.
- c) **Evite una puesta en marcha fortuita. Asegurarse de que la herramienta eléctrica esté desconectada antes de conectarla a la toma de corriente y/o al montar el acumulador, al recogerla, y al transportarla.** Si transporta la herramienta eléctrica sujetándola por el interruptor de conexión/desconexión, o si introduce el enchufe en la toma de corriente con la herramienta eléctrica conectada, ello puede dar lugar a un accidente.
- d) **Retire las herramientas de ajuste o llaves fijas antes de conectar la herramienta eléctrica.** Una herramienta o llave colocada en una pieza rotativa puede producir lesiones graves al accionar la herramienta eléctrica.
- e) **Sea precavido. Trabaje sobre una base firme y mantenga el equilibrio en todo momento.** Ello le permitirá controlar mejor la herramienta eléctrica en caso de presentarse una situación inesperada.
- f) **Lleve puesta una vestimenta de trabajo adecuada. No utilice vestimenta amplia ni joyas. Mantenga su pelo, vestimenta y guantes alejados de las piezas móviles.** La vestimenta suelta, las joyas y el pelo largo se pueden enganchar con las piezas en movimiento.
- g) **Siempre que sea posible utilizar equipos de aspiración o captación de polvo, asegúrese que éstos estén montados y que sean utilizados correctamente.** El empleo de estos equipos reduce los riesgos derivados del polvo.

### 4) CUIDADO Y UTILIZACIÓN DE HERRAMIENTAS ELÉCTRICAS

- a) **No sobrecargue la herramienta. Use la herramienta prevista para el trabajo a realizar.** Con la herramienta adecuada podrá trabajar mejor y con mayor seguridad dentro del margen de potencia indicado.
  - b) **No utilice herramientas con un interruptor defectuoso.** Las herramientas que no se puedan conectar o desconectar son peligrosas y deben repararse.
  - c) **Saque el enchufe de la red y/o desmonte el acumulador antes de realizar un ajuste en la herramienta eléctrica, cambiar de accesorio o al guardar la herramienta eléctrica.** Esta medida preventiva reduce el riesgo de conectar accidentalmente la herramienta.
  - d) **Guarde las herramientas fuera del alcance de los niños y de las personas que no estén familiarizadas con su uso.** Las herramientas utilizadas por personas inexpertas son peligrosas.
  - e) **Cuide sus herramientas con esmero. Controle si funcionan correctamente, sin atascarse, las partes móviles de la herramienta, y si existen partes rotas o deterioradas que pudieran afectar al funcionamiento de la herramienta. Si la herramienta eléctrica estuviese defectuosa haga repararla antes de volver a utilizarla.** Muchos de los accidentes se deben a herramientas con un mantenimiento deficiente.
  - f) **Mantenga los útiles limpios y afilados.** Los útiles mantenidos correctamente se dejan guiar y controlar mejor.
  - g) **Utilice herramientas eléctricas, accesorios, útiles, etc. de acuerdo con estas instrucciones, teniendo en cuenta las condiciones de trabajo y la tarea a realizar.** El uso de herramientas eléctricas para trabajos diferentes de aquellos para los que han sido concebidas puede resultar peligroso.
- ### 5) SERVICIO
- a) **Únicamente haga reparar su herramienta eléctrica por un profesional, empleando exclusivamente piezas de repuesto originales.** Solamente así se mantiene la seguridad de la herramienta eléctrica.

### INSTRUCCIONES DE SEGURIDAD PARA SIERRAS DE CALAR

#### GENERAL

- Compruebe siempre que la tensión de alimentación es la misma que la indicada en la placa de características de la herramienta (las herramientas de 230V o 240V pueden conectarse también a 220V)
- Compruebe el funcionamiento de la herramienta cada vez que vaya a utilizarla; en el caso de que presentara algún defecto, llévelo a una persona cualificada para que lo repare; no abra nunca la herramienta
- **No trabaje materiales que contengan amianto** (el amianto es cancerígeno)
- Esta herramienta no debe utilizarse por personas menores de 16 años
- El nivel de ruido, con la herramienta trabajando, podrá sobrepasar 85 dB(A); usar protectores auditivos
- Al procesar materiales que producen viruta, usar anteojos de protección



- El polvo del material, como por ejemplo la pintura que contiene plomo, algunas especies de madera, minerales y metal podrían ser dañinos (el contacto o inhalación del polvo podría producir reacciones alérgicas y/o trastornos respiratorios al operador u otras personas cerca); **utilice una máscara contra el polvo y trabaje con un dispositivo de extracción de polvo cuando lo conecte**
- Ciertos tipos de polvo están catalogados como cancerígenos (por ejemplo el polvo de roble y de haya) especialmente junto con aditivos para el acondicionamiento de la madera; **utilice una máscara contra el polvo y trabaje con un dispositivo de extracción de polvo cuando lo conecte**
- Siga la normativa nacional en cuanto a extracción de polvo, en función de los materiales que vayan a ser utilizados
- Utilice cables de extensión seguros y completamente desenrollados con una capacidad de 16 amperios
- **Desenchufar siempre la herramienta antes de realizar cualquier ajuste o cambiar algún accesorio**

#### ANTES DEL USO

- Antes de empezar a cortar, aparte todos los obstáculos que haya encima y debajo de la línea de corte
- Evite los daños que puedan causar los tornillos, clavos y otros objetos sobre la pieza de trabajo; retírelos antes de empezar a trabajar
- **Asegure la pieza de trabajo** (una pieza de trabajo fijada con unos dispositivos de sujeción o en un tornillo de banco, se mantiene sujeta de forma mucho más segura que con la mano)

#### DURANTE EL USO

- **Sujete la herramienta eléctrica por las superficies de agarre aisladas al realizar trabajos en los que el accesorio pueda tocar conductores eléctricos ocultos o el propio cable** (el contacto con conductores bajo tensión puede hacer que las partes metálicas de la herramienta eléctrica le provoquen una descarga eléctrica)
- Mantenga siempre el cable lejos de las partes móviles de la herramienta; mantenga el cable detrás de usted, lejos de la herramienta
- Si llega a dañarse o cortarse el cable eléctrico durante el trabajo, no tocar el cable, sino extraer inmediatamente el enchufe de la red
- No utilizar la herramienta cuando el cable esté dañado; hágalo cambiar por una persona calificada
- En el caso de que se produjera un mal funcionamiento eléctrico o mecánico, apague inmediatamente la herramienta y desconecte el enchufe
- Aparte las manos de la hoja de sierra durante la siega

#### ACCESORIOS

- SKIL únicamente puede garantizar un funcionamiento correcto de la herramienta al emplear accesorios originales
- No utilice nunca hojas rotas, desformadas o desgastadas

#### USO EXTERIOR

- Cuando utilice la herramienta en el exterior, enchúfela a través del interruptor de la corriente (FI) con un interruptor diferencial de 30 mA como máximo; sólo utilice un cable de extensión apropiado para su uso en el

exterior y equipado con un enchufe a prueba de salpicaduras

#### DESPUÉS DEL USO

- Ponga atención al guardar su herramienta de que el motor está apagado y las partes móviles están parados

#### EXPLICACIÓN DE LOS SÍMBOLOS DE LA HERRAMIENTA

- ③ Lea el manual de instrucciones antes de utilizarla
- ④ Doble aislamiento (no requiere cable de tierra)
- ⑤ No deseche la herramienta junta con los residuos domésticos

#### USO

- Encendido/apagado ⑥
- Bloqueo del interruptor para uso permanente ⑦
- Cambio de la hoja de sierra ⑧
- ! **insertar la hoja hasta el fondo con los dientes mirando hacia delante** ⑨
- Corte a 45° ⑩
  - para obtener los mejores resultados posibles, seleccione el modo de aserrado "all/curve"
  - ! **asegúrese de que la pata esté reposada plana contra el alojamiento de la herramienta** (⑩ a o ⑩ b)
- Selección del modo de sierra ⑪
  - 1 posición ("all/curve") para el corte preciso en todos los materiales, recto + en curva
  - 4 posiciones para el corte rápido en diferentes materiales, solamente recto
    - gris = metal
    - azul = plástico
    - marrón = madera dura
    - verde = madera blanda
  - ! **seleccione siempre la posición "all/curve" cuando se cortan materiales que producen astillas**
- Ajuste del número de carreras según el material usado ⑫
  - ! **si la herramienta no funciona con la ruda D en la posición 1, seleccione un número de carreras más alto y reduzca el número mientras la herramienta funciona**
- Aspiración de polvo ⑬ a
  - ! **no utilizar el aspirador al cortar metales**
- Soplador de polvo ⑬ b
- Luz direccional ⑭
- Utilización de la herramienta
  - antes de poner en marcha la herramienta, asegúrese de que la parte delantera della pata esté tendida sobre la pieza a trabajar
  - sujete la herramienta firmemente con ambas manos, de modo que tenga pleno control sobre ella todo el tiempo
  - ! **durante el trabajo, sujete siempre la herramienta por la(s) zona(s) de empuñadura de color gris** ⑮
  - asegúrese que la pata esté apoyada de manera que asiente firmemente en toda su superficie
  - ! **asegúrese que la hoja esté completamente parada antes de que la levante de la pieza a trabajar**
  - mantenga las ranuras de ventilación G ② descubiertas

## CONSEJOS DE APLICACIÓN

- Utilice las hojas de sierra adecuadas <sup>(16)</sup>  
**! utilice únicamente hojas de sierra con inserción T**  
<sup>(17)</sup>
- Al cortar metales, engrase la hoja de sierra regularmente con aceite
- Para un corte preciso y recto, guíe la herramienta con la placa base a lo largo del borde de una pieza recta de madera <sup>(18)</sup>
- Pretaladre antes un agujero antes de efectuar recortes <sup>(19)</sup>
- Corte sin astillas
  - tape la línea de corte con varias capas de cinta de papel engomado ancho antes de cortar
  - ponga siempre el lado bueno de la pieza de trabajo hacia abajo
- Para más consejos vea [www.skil.com](http://www.skil.com)

## MANTENIMIENTO / SERVICIO

- Esta herramienta no está concebida para uso profesional
- Mantenga limpio el cable eléctrico y la herramienta (sobre todo las ranuras de ventilación G <sup>(2)</sup>)  
**! desenchufar la herramienta antes de limpiar**
- Si a pesar de los esmerados procesos de fabricación y control, la herramienta llegase a averiarse, la reparación deberá encargarse a un servicio técnico autorizado para herramientas eléctricas SKIL
  - envíe la herramienta **sin desmontar** junto con una prueba de su compra a su distribuidor o a la estación de servicio más cercana de SKIL (los nombres así como el despiece de piezas de la herramienta figuran en [www.skil.com](http://www.skil.com))

## AMBIENTE

- **No deseche las herramientas eléctricas, los accesorios y embalajes junto con los residuos domésticos** (sólo para países de la Unión Europea)
  - de conformidad con la Directiva Europea 2012/19/CE sobre residuos de aparatos eléctricos y electrónicos y su aplicación de acuerdo con la legislación nacional, las herramientas eléctricas cuya vida útil haya llegado a su fin se deberán recoger por separado y trasladar a una planta de reciclaje que cumpla con las exigencias ecológicas
  - símbolo <sup>(5)</sup> llamará su atención en caso de necesidad de tirarlas

## RUIDOS/VIBRACIONES

- Medido según EN 60745 el nivel de la presión acústica de esta herramienta se eleva a 90 dB(A) y el nivel de la potencia acústica a 101 dB(A) (desviación estándar: 3 dB), y la vibración a \* m/s<sup>2</sup> (suma vectorial de tres direcciones; incertidumbre K = 1,5 m/s<sup>2</sup>)
  - \* al cortar madera 8,8 m/s<sup>2</sup>
  - \* al cortar metales 13,3 m/s<sup>2</sup>
- El nivel de emisión de vibraciones ha sido medido según una prueba estándar proporcionada en EN 60745; puede utilizarse para comparar una herramienta con otra y como valoración preliminar de la exposición a las vibraciones al utilizar la herramienta con las aplicaciones mencionadas

- al utilizarla para distintas aplicaciones o con accesorios diferentes o con un mantenimiento deficiente, podría **aumentar** de forma notable el nivel de exposición
  - en las ocasiones en que se apaga la herramienta o cuando está funcionando pero no está realizando ningún trabajo, se podría **reducir** el nivel de exposición de forma importante
- ! protéjase contra los efectos de la vibración realizando el mantenimiento de la herramienta y sus accesorios, manteniendo sus manos calientes y organizando sus patrones de trabajo**



P

## Serra vertical

4370

## INTRODUÇÃO

- Esta ferramenta é determinada para realizar cortes em madeira, plástico, metal, placas de cerâmica e borracha, ed é apropriada para cortes retos e curvados a 0° ou 45°
- A luz desta ferramenta eléctrica serve para iluminar a área de trabalho directa da ferramenta eléctrica e não é adequada para a iluminação ambiente no âmbito doméstico
- Esta ferramenta não se destina a utilização profissional
- Leia e guarde este manual de instruções <sup>(3)</sup>

## DADOS TÉCNICOS <sup>(1)</sup>

## ELEMENTOS DA FERRAMENTA <sup>(2)</sup>

- A Interruptor para ligar/desligar
- B Botão de fixação do interruptor
- C Alavanca para selecção do modo de corte
- D Roda para ajuste do número de cursos
- E Interruptor para soprador de pó
- F Foco
- G Aberturas de ventilação

## SEGURANÇA

### INSTRUÇÕES GERAIS DE SEGURANÇA

**⚠ ATENÇÃO! Devem ser lidas todas as indicações de advertência e todas as instruções.** O desrespeito das advertências e instruções apresentadas abaixo pode causar choque eléctrico, incêndio e/ou graves lesões.  
**Guarde bem todas as advertências e instruções para futura referência.** O termo "ferramenta eléctrica" utilizado a seguir nas indicações de advertência, refere-se a ferramentas eléctricas operadas com corrente de rede (com cabo de rede) e a ferramentas eléctricas operadas com acumulador (sem cabo de rede).

### 1) SEGURANÇA DA ÁREA DE TRABALHO

- a) **Mantenha a sua área de trabalho limpa e arrumada.** Desordem ou áreas de trabalho com fraca iluminação podem causar acidentes.
- b) **Não trabalhar com a ferramenta eléctrica em áreas com risco de explosão, nas quais se encontrem líquidos, gases ou pós inflamáveis.** Ferramentas eléctricas produzem faíscas que podem provocar a ignição de pó e vapores.
- c) **Mantenha crianças e outras pessoas afastadas da ferramenta eléctrica durante o trabalho com a ferramenta.** Distrações podem causar a falta de controle sobre o aparelho.

### 2) SEGURANÇA ELÉCTRICA

- a) **A ficha da ferramentas eléctricas devem caber na tomada. A ficha não deve ser modificada de modo algum. Não utilize quaisquer fichas de adaptação junto com ferramentas eléctricas ligadas à terra.** Fichas sem modificações e tomadas adequadas reduzem o risco de choques eléctricos.
- b) **Evite que o corpo entre em contacto com superfícies ligadas à terra, como por exemplo tubos, radiadores, fogões e geladeiras.** Há um risco elevado de choques eléctricos, caso o corpo for ligado à terra.
- c) **A ferramenta eléctrica não deve ser exposta à chuva nem humidade.** A penetração de água na ferramenta eléctrica aumenta o risco de choques eléctricos.
- d) **O cabo do aparelho não deve ser utilizado para o transporte, para pendurar o aparelho, nem para puxar a ficha da tomada. Mantenha o cabo afastado de calor, óleo, cantos afiados ou partes em movimento do aparelho.** Cabos danificados ou torcidos aumentam o risco de choques eléctricos.
- e) **Ao trabalhar com a ferramenta eléctrica ao ar livre, use um cabo de extensão apropriado para áreas externas.** O uso de um cabo apropriado para áreas externas reduz o risco de choques eléctricos.
- f) **Se não for possível evitar o funcionamento da ferramenta eléctrica em áreas húmidas, deverá ser utilizado uma disjuntor de corrente de avaria.** A utilização de um disjuntor de corrente de avaria reduz o risco de um choque eléctrico.

### 3) SEGURANÇA DE PESSOAS

- a) **Esteja alerta, observe o que está a fazer, e tenha prudência ao trabalhar com a a ferramenta eléctrica. Não use a ferramenta eléctrica se estiver fatigado ou sob a influência de drogas, álcool ou medicamentos.** Um momento de falta de atenção durante a operação da ferramenta eléctrica pode causar graves lesões.
- b) **Utilizar equipamento de protecção pessoal e sempre óculos de protecção.** A utilização de equipamento de protecção pessoal, como máscara de protecção contra pó, sapatos de segurança antiderrapantes, capacete de segurança ou protecção auricular, de acordo com o tipo e aplicação da ferramenta eléctrica, reduz o risco de lesões.
- c) **Evitar uma colocação em funcionamento involuntária. Assegure se de que a ferramenta eléctrica esteja desligada, antes de conectá-la à**

**alimentação de rede e/ou ao acumulador, antes de levantá-la ou de transportá-la.** Se tiver o dedo no interruptor ao transportar a ferramenta eléctrica ou se o aparelho for conectado à alimentação de rede enquanto estiver ligado, poderão ocorrer acidentes.

- d) **Remover chaves de ajustes ou chaves de fenda, antes de ligar a ferramenta eléctrica.** Uma chave de fenda ou chave de ajuste que se encontre numa parte móvel do aparelho, pode levar a lesões.
- e) **Não se sobrestime. Mantenha uma posição firme e mantenha sempre o equilíbrio.** Desta forma poderá ser mais fácil controlar o aparelho em situações inesperadas.
- f) **Use roupa apropriada. Não use roupa larga ou jóias. Mantenha o cabelo, roupa e luvas afastadas de partes em movimento.** Roupas largas, jóias ou cabelos longos podem ser agarradas por partes em movimento.
- g) **Se for prevista a montagem de dispositivos de aspiração de pó e de dispositivos de recolha, assegure-se de que estão conectados e que sejam utilizados de forma correcta.** A utilização de uma aspiração de pó pode reduzir o perigo devido ao pó.

### 4) USO E TRATAMENTO DE FERRAMENTAS ELÉCTRICAS

- a) **Não sobrecarregue a ferramenta eléctrica. Use para o seu trabalho a ferramenta eléctrica correcta.** A ferramenta correcta realizará o trabalho de forma melhor e mais segura dentro da faixa de potência indicada.
- b) **Não utilize a ferramenta eléctrica se o interruptor não puder ser ligado nem desligado.** Qualquer ferramenta eléctrica que não possa ser controlada através do interruptor de ligar-desligar, é perigosa e deve ser reparada.
- c) **Puxar a ficha da tomada e/ou remover o acumulador antes de executar ajustes na ferramenta, de substituir acessórios ou de guardar a ferramenta.** Esta medida de segurança evita que a ferramenta eléctrica seja ligada acidentalmente.
- d) **Guarde ferramentas eléctricas que não estiverem sendo utilizadas, for a do alcance de crianças. Não permita que o aparelho seja utilizado por pessoas não familiarizadas com o mesmo ou que não tenham lido estas instruções.** Ferramentas eléctricas são perigosas nas mãos de pessoas sem treinamento.
- e) **Trate a sua ferramenta eléctrica com cuidado. Verifique se as partes móveis do aparelho funcionam perfeitamente e não emperram, se há peças quebradas ou danificadas, que possam influenciar o funcionamento do aparelho. Peças danificadas devem ser reparadas antes da utilização do aparelho.** Muitos acidentes tem como causa uma manutenção insuficiente das ferramentas eléctricas.
- f) **Mantenha as ferramentas de corte sempre afiadas e limpas.** Ferramentas de cortes devidamente tratadas, com cantos afiados travam com menos frequência e podem ser controladas com maior facilidade.
- g) **Use a ferramenta eléctrica, os acessórios os bits da ferramenta etc., de acordo com estas instruções. Considere também as condições de trabalho e o trabalho a ser efectuado.** A utilização da ferramenta

eléctrica para outros fins que os previstos, pode resultar em situações perigosas.

## 5) SERVIÇO

- a) **A sua ferramenta eléctrica só deve ser reparada por pessoal qualificado e só devem ser colocadas peças sobressalentes originais.** Desta forma é assegurada a segurança da ferramenta eléctrica.

## INSTRUÇÕES DE SEGURANÇA PARA SERRAS VERTICALES

### GENERAL

- Certifique-se sempre de que a tensão de alimentação está de acordo com a tensão indicada na placa de identificação da ferramenta (ferramentas com a indicação de 230V ou 240V também podem ser ligadas a uma fonte de 220V)
- Verifique o funcionamento da ferramenta antes de cada utilização e, em caso de avaria, leve-a a uma pessoa qualificada para reparação; nunca abra você mesmo a ferramenta
- **Não processar material que contenha asbesto** (asbesto é considerado como sendo cancerígeno)
- Esta ferramenta não deve ser utilizada por pessoas menores de 16 anos
- O nível de ruído durante o trabalho pode exceder 85 dB(A); utilize protectores auriculares
- Utilizar óculos de protecção ao trabalhar com materiais com efeito de aparas
- O pó do material, como tinta com chumbo, algumas espécies de madeira, minerais e metais, pode ser prejudicial (contacto ou inalação do pó pode provocar reacções alérgicas e/ou doenças respiratórias ao operador ou às pessoas presentes); **use máscara respiratória e trabalhe com um dispositivo de extracção de pó quando ligado a**
- Determinados tipos de pó são classificados como substâncias cancerígenas (como pó de carvalho e faia), em especial, juntamente com aditivos para acondicionamento da madeira; **use máscara respiratória e trabalhe com um dispositivo de extracção de pó quando ligado a**
- Siga o regulamento nacional quanto a extracção de pó, em função dos materiais que vão ser utilizados
- Utilize extensões completamente desenvolvidas e seguras, com uma capacidade de 16 Amp
- **Desligue sempre a ficha da tomada antes de proceder a qualquer ajustamento ou troca de acessório**

### ANTES DA UTILIZAÇÃO

- Retire todos os obstáculos que se encontram no topo superior e na parte inferior da peça a cortar antes de iniciar o trabalho
- Evite danificar a ferramenta em superfícies com pregos ou parafusos; remova-os antes de começar a trabalhar
- **Fixe a peça de trabalho** (uma peça de trabalho fixa com dispositivos de fixação ou num torno fica melhor fixa do que manualmente)

### DURANTE A UTILIZAÇÃO

- **Segurar a ferramenta eléctrica pelas superfícies de punho isoladas ao executar trabalhos durante os quais o acessório possa atingir cabos eléctricos escondidos ou o próprio cabo de rede** (o contacto

com um cabo sob tensão também pode colocar sob tensão as peças metálicas da ferramenta e levar a um choque eléctrico)

- Mantenha sempre o fio afastado das peças rotativas da ferramenta; coloque o fio para trás, fora do alcance da ferramenta
- Caso o fio for danificado ou cortado durante o trabalho, não toque no fio, mas tire imediatamente a ficha da tomada
- Não utilizar ferramenta caso o fio esteja danificado; mandando-o substituir por pessoal qualificado
- Em caso de anomalias eléctricas ou mecânicas, desligue imediatamente a ferramenta e tire a ficha da tomada
- Mantenha as mãos distantes da lâmina da serra enquanto a ferramenta estiver a trabalhar

### ACESSÓRIOS

- A SKIL só pode garantir um funcionamento perfeito da ferramenta, quando utilizada com os acessórios originais
- Não utilize lâminas que se encontrem rachadas, deformadas ou cagas

### UTILIZAÇÃO NO EXTERIOR

- Quando utilizar a ferramenta no exterior, ligue-a utilizando um disjuntor de corrente de falha (FI) com uma corrente de disparo de 30 mA no máximo e utilize apenas uma extensão destinada a utilização no exterior e que esteja equipada com uma tomada de união à prova de salpicos

### APÓS A UTILIZAÇÃO

- Quando guardar a ferramenta, deverá certificar-se que o motor esta devidamente parado assim como todas as peças rotativas

### EXPLICAÇÃO DOS SÍMBOLOS DA FERRAMENTA

- ③ Leia o manual de instruções antes de utilizar o equipamento
- ④ Isolamento duplo (nenhum fio de terra necessário)
- ⑤ Não deite a ferramenta no lixo doméstico

## MANUSEAMENTO

- Ligar/desligar ⑥
- Fixação do interruptor para utilização contínua ⑦
- Trocar lâminas ⑧
  - ! **introduzir a lâmina até à profundidade máx. com os dentes voltados para a frente** ⑨
- Cortar a 45° ⑩
  - para a obtenção dos melhores resultados, seleccione o modo de corte "all/curve"
  - ! **certifique-se de que a base fica em baixo, contra a caixa da ferramenta** ⑩a ou ⑩b)
- Selecção do modo de corte ⑪
  - 1 posição ("all/curve") para cortes precisos em todos materiais, rectos + curvos
  - 4 posições para cortes rápidos em diferentes materiais, apenas rectos  
cinzento = metal  
azul = plástico  
castanho = madeira dura  
verde = madeira branda
  - ! **selecione sempre "all/curve" quando cortar materiais susceptíveis de libertar aparas**
- Ajustar o número de cursos consoante o material ⑫
  - ! **se a ferramenta não funcionar com a roda D na posição 1, seleccione um número de cursos mais**

### alto e baixe o número de cursos com a ferramenta a funcionar

- Aspiração de pó <sup>(13)</sup>a
- ! **não utilizar o aspirador ao cortar metais**
- Soprador de pó <sup>(13)</sup>b
- Foco <sup>(14)</sup>
- Utilização da ferramenta
  - antes de ligar a ferramenta, certifique-se que a parte frontal da base está bem assente sobre a peça a trabalhar
  - segure a ferramenta com ambas as mãos e assim terá sempre um controlo completo da mesma
- ! **durante o trabalho, segure sempre a ferramenta na(s) área(s) de fixação cinzenta(s)** <sup>(15)</sup>
- certifique-se que a base está apoiada sobre toda a superfície
- ! **certifique-se que a lâmina está completamente parada antes de retirar a ferramenta da peça a trabalhar**
- mantenha as aberturas de ventilação G <sup>(2)</sup> destapadas

## CONSELHOS DE APLICAÇÃO

- Utilize as lâminas apropriadas <sup>(16)</sup>
- ! **utilize apenas as lâminas de serra de encadouro em T** <sup>(17)</sup>
- Ao cortar metais, lubrifique a lâmina regularmente com óleo adequado
- Para um corte direito e preciso, guie a ferramenta com a base sobre o bordo de madeira direita <sup>(18)</sup>
- Faça primeiro um furo antes de realizar recortes <sup>(19)</sup>
- Cortar sem aparas
  - cubra a linha de corte com várias camadas de fita adesiva larga antes de começar a cortar
  - coloque sempre a peça a trabalhar com a face virada para baixo
- Para mais sugestões consulte [www.skil.com](http://www.skil.com)

## MANUTENÇÃO / SERVIÇO

- Esta ferramenta não se destina a utilização profissional
- Mantenha a ferramenta e o fio sempre limpos (especialmente as ranhuras de respiração G <sup>(2)</sup>)
- ! **desligar a ferramenta da fonte de corrente antes de limpar**
- Se a ferramenta falhar apesar de cuidadosos processos de fabricação e de teste, a reparação deverá ser executada por uma oficina de serviço autorizada para ferramentas eléctricas SKIL
  - envie a ferramenta **sem desmontar**, juntamente com a prova de compra, para o seu revendedor ou para o centro de assistência SKIL mais próximo (os endereços assim como a mapa de peças da ferramenta estão mencionados no [www.skil.com](http://www.skil.com))

## AMBIENTE

- **Não deite ferramentas eléctricas, acessórios e embalagem no lixo doméstico** (apenas para países da UE)
- de acordo com a directiva europeia 2012/19/CE sobre ferramentas eléctricas e electrónicas usadas e a transposição para as leis nacionais, as ferramentas

eléctricas usadas devem ser recolhidas em separado e encaminhadas a uma instalação de reciclagem dos materiais ecológica

- símbolo <sup>(5)</sup> lhe avisará em caso de necessidade de arranjar-las

## RUÍDO/VIBRAÇÕES

- Medido segundo EN 60745 o nível de pressão acústica desta ferramenta é 90 dB(A) e o nível de potência acústica 101 dB(A) (espaço de erro: 3 dB), e a vibração
  - \*  $m/s^2$  (soma de vectores de três direcções; incerteza  $K = 1,5 m/s^2$ )
  - \* ao cortar madeira 8,8  $m/s^2$
  - \* ao cortar metais 13,3  $m/s^2$
- O nível de emissão de vibrações foi medido de acordo com um teste normalizado fornecido na EN 60745; pode ser utilizado para comparar uma ferramenta com outra e como uma avaliação preliminar de exposição à vibração quando utilizar a ferramenta para as aplicações mencionadas
  - utilizar a ferramenta para diferentes aplicações ou com acessórios diferentes ou mantidos deficientemente, pode **umentar** significativamente o nível de exposição
  - o número de vezes que a ferramenta é desligada ou quando estiver a trabalhar sem fazer nada, pode **reduzir** significativamente o nível de exposição
- ! **proteja-se contra os efeitos da vibração, mantendo a ferramenta e os acessórios, mantendo as mãos quentes e organizando os padrões de trabalho**

I

## Sega da traforo

4370

## INTRODUZIONE

- Quest' utensile è idoneo per l'esecuzione di tagli di troncatura e dal pieno nel legno, in materie plastiche, nel metallo, nella piastra ceramica e nella gomma, e di tagli diritti e tagli a 0° o 45°
- L'illuminazione di questo elettro utensile è concepita per illuminare l'area di lavoro dell'elettro utensile stesso e non è adatta per illuminare l'ambiente domestico
- Questo utensile non è inteso per un uso professionale
- Leggete e conservate questo manuale di istruzione <sup>(3)</sup>

## DATI TECNICI <sup>(1)</sup>

### ELEMENTI UTENSILE <sup>(2)</sup>

- A Interruttore di accensione/spengimento
- B Pulsante di blocco dell'interruttore
- C Leva per la selezione del modo di taglio
- D Rotella di regolazione del numero di corse
- E Interruttore di soffiatore della polvere
- F Riflettore
- G Feritoie di ventilazione

# SICUREZZA

## ISTRUZIONI GENERALI DI SICUREZZA

**⚠ ATTENZIONE! Leggere tutte le avvertenze di pericolo e le istruzioni operative.** In caso di mancato rispetto delle avvertenze di pericolo e delle istruzioni operative si potrà creare il pericolo di scosse elettriche, incendi e/o incidenti gravi. **Conservare tutte le avvertenze di pericolo e le istruzioni operative per ogni esigenza futura.** Il termine "elettrotensile" utilizzato nelle avvertenze di pericolo si riferisce ad utensili elettrici alimentati dalla rete (con linea di allacciamento) ed ad utensili elettrici alimentati a batteria (senza linea di allacciamento).

### 1) SICUREZZA DELLA POSTAZIONE DI LAVORO

- a) **Mantenere pulito ed ordinato il posto di lavoro.** Il disordine o le zone di lavoro non illuminate possono essere fonte di incidenti.
- b) **Evitare d'impiegare l'utensile in ambienti soggetti al rischio di esplosioni nei quali si trovino liquidi, gas o polveri infiammabili.** Gli utensili elettrici producono scintille che possono far infiammare la polvere o i gas.
- c) **Mantenere lontani i bambini ed altre persone durante l'impiego dell'utensile elettrico.** Eventuali distrazioni potranno comportare la perdita del controllo sull'utensile.

### 2) SICUREZZA ELETTRICA

- a) **La spina per la presa di corrente dovrà essere adatta alla presa. Evitare assolutamente di apportare modifiche alla spina. Non impiegare spine adattatrici assieme ad utensili con collegamento a terra.** Le spine non modificate e le prese adatte allo scopo riducono il rischio di scosse elettriche.
- b) **Evitare il contatto fisico con superfici collegate a terra, come tubi, riscaldamenti, cucine elettriche e frigoriferi.** Sussiste un maggior rischio di scosse elettriche nel momento in cui il corpo è messo a massa.
- c) **Custodire l'utensile al riparo dalla pioggia o dall'umidità.** L'eventuale infiltrazione di acqua in un utensile elettrico va ad aumentare il rischio d'insorgenza di scosse elettriche.
- d) **Non usare il cavo per scopi diversi da quelli previsti al fine di trasportare o appendere l'utensile, oppure di togliere la spina dalla presa di corrente. Mantenere l'utensile al riparo da fonti di calore, dall'olio, dagli spigoli o da pezzi in movimento.** I cavi danneggiati o aggrovigliati aumentano il rischio d'insorgenza di scosse elettriche.
- e) **Qualora si voglia usare l'utensile all'aperto, impiegare solo ed esclusivamente cavi di prolunga omologati per l'impiego all'esterno.** L'uso di un cavo di prolunga omologato per l'impiego all'esterno riduce il rischio d'insorgenza di scosse elettriche.
- f) **Qualora non fosse possibile evitare di utilizzare l'utensile in ambiente umido, utilizzare un interruttore di messa a terra.** L'uso di un interruttore di messa a terra riduce il rischio di una scossa elettrica.

### 3) SICUREZZA DELLE PERSONE

- a) **È importante concentrarsi su ciò che si sta facendo e a maneggiare con giudizio l'utensile durante le operazioni di lavoro. Non utilizzare l'utensile in caso di stanchezza o sotto l'effetto di droghe, bevande**

**alcoliche e medicinali.** Un attimo di distrazione durante l'uso dell'utensile potrà causare lesioni gravi.

- b) **Indossare sempre equipaggiamento protettivo individuale. Usare sempre protezioni per gli occhi.** Se si avrà cura d'indossare equipaggiamento protettivo individuale come la maschera antipolvere, la calzatura antidistruciolevole di sicurezza, il casco protettivo o la protezione dell'udito, a seconda dell'impiego previsto per l'utensile elettrico, si potrà ridurre il rischio di ferite.
  - c) **Evitare l'accensione involontaria dell'utensile. Prima di collegarlo alla rete di alimentazione elettrica e/o alla batteria ricaricabile, prima di prenderlo oppure prima di iniziarlo a trasportarlo, assicurarsi che l'utensile sia spento.** Tenendo il dito sopra l'interruttore mentre si trasporta l'utensile oppure collegandolo all'alimentazione di corrente con l'interruttore inserito, si vengono a creare situazioni pericolose in cui possono verificarsi seri incidenti.
  - d) **Togliere gli attrezzi di regolazione o la chiave inglese prima di accendere l'utensile.** Un utensile o una chiave inglese che si trovino in una parte dell'utensile in rotazione potranno causare lesioni.
  - e) **È importante non sopravvalutarsi. Avere cura di mettersi in posizione sicura e di mantenere l'equilibrio.** In tale maniera sarà possibile controllare meglio l'utensile in situazioni inaspettate.
  - f) **Indossare vestiti adeguati. Evitare di indossare vestiti lenti o gioielli. Tenere i capelli, i vestiti ed i guanti lontani da pezzi in movimento.** Vestiti lenti, gioielli o capelli lunghi potranno impigliarsi in pezzi in movimento.
  - g) **Se sussiste la possibilità di montare dispositivi di aspirazione o di captazione della polvere, assicurarsi che gli stessi siano stati installati correttamente e vengano utilizzati senza errori.** L'utilizzo di un'aspirazione polvere può ridurre lo svilupparsi di situazioni pericolose dovute alla polvere.
- ### 4) MANEGGIO ED IMPIEGO ACCURATO DI UTENSILI ELETTRICI
- a) **Non sovraccaricare l'utensile. Impiegare l'utensile elettrico adatto per sbrigare il lavoro.** Utilizzando l'utensile elettrico adatto si potrà lavorare meglio e con maggior sicurezza nell'ambito della gamma di potenza indicata.
  - b) **Non utilizzare utensili elettrici con interruttori difettosi.** Un utensile elettrico che non si può più accendere o spegnere è pericoloso e dovrà essere riparato.
  - c) **Prima di procedere ad operazioni di regolazione sull'utensile, prima di sostituire parti accessorie oppure prima di posare l'utensile al termine di un lavoro, estrarre sempre la spina dalla presa della corrente e/o estrarre la batteria ricaricabile.** Tale precauzione eviterà che l'utensile possa essere messo in funzione inavvertitamente.
  - d) **Custodire gli utensili elettrici non utilizzati al di fuori della portata dei bambini. Non fare usare l'utensile a persone che non sono abituate ad usarlo o che non abbiano letto le presenti istruzioni.** Gli utensili elettrici sono pericolosi se utilizzati da persone inesperte.
  - e) **Effettuare accuratamente la manutenzione dell'utensile. Verificare che le parti mobili**

dell'utensile funzionino perfettamente e non s'inceppino, che non ci siano pezzi rotti o danneggiati al punto tale da limitare la funzione dell'utensile stesso. Fare riparare le parti danneggiate prima d'impiegare l'utensile. Numerosi incidenti vengono causati da utensili elettrici la cui manutenzione è stata effettuata poco accuratamente.

f) **Mantenere affilati e puliti gli utensili da taglio.** Gli utensili da taglio curati con particolare attenzione e con taglienti affilati s'inceppano meno frequentemente e sono più facili da condurre.

g) **Utilizzare utensili elettrici, accessori, attrezzi, ecc. in conformità con le presenti istruzioni. Osservare le condizioni di lavoro ed il lavoro da eseguirsi durante l'impiego.** L'impiego di utensili elettrici per usi diversi da quelli consentiti potrà dar luogo a situazioni di pericolo.

## 5) ASSISTENZA

a) **Fare riparare l'utensile solo ed esclusivamente da personale specializzato e solo impiegando pezzi di ricambio originali.** In tale maniera potrà essere salvaguardata la sicurezza dell'utensile.

## ISTRUZIONI DI SICUREZZA PER SEGHETTI ALTERNATIVI

### NOTE GENERALI

- Controllare che la tensione dell'alimentazione sia la stessa di quella indicata sulla targhetta dell'utensile (gli utensili con l'indicazione di 230V o 240V possono essere collegati anche alla rete di 220V)
- Controllare il funzionamento dell'utensile prima di ogni volta che si deve usare, in caso di un difetto, farlo riparare immediatamente da una persona qualificata; non aprire mai l'utensile da se stessi
- **Non lavorare mai materiali contenenti amianto** (l'amianto è ritenuto materiale cancerogeno)
- Questo utensile non dev'essere utilizzato da persone di età inferiore ai 16 anni
- Durante le operazioni di lavoro il livello di rumorosità può superare 85 dB(A); utilizzare le cuffie di protezione
- Nella lavorazione di materiali a produzione di trucioli, indossare occhiali protettivi
- Le polveri di materiali come vernici contenenti piombo, alcune specie di legno, minerali e metallo possono essere nocive (il contatto con queste polveri o la loro inalazione possono causare reazioni allergiche e/o disturbi respiratori all'operatore o ad altre persone presenti sul posto); **indossare una maschera protettiva per la polvere e utilizzare un dispositivo per l'estrazione della polvere se è presente una presa di collegamento**
- Alcuni tipi di polvere sono classificati come cancerogeni (quali le polveri di quercia e faggio) specialmente se associate ad additivi per il trattamento del legno; **indossare una maschera protettiva per la polvere e utilizzare un dispositivo per l'estrazione della polvere se è presente una presa di collegamento**
- Rispettare le istruzioni nazionali riguardanti l'estrazione della polvere per i materiali in lavorazione
- Usare cavi di prolunga completamente srotolati e sicure con una capacità di 16 Amp

- **Staccate sempre la spina dell'utensile prima di effettuare regolazioni o cambiare gli accessori**

### PRIMA DELL'USO

- Rimuovete tutti gli ostacoli sopra e sotto la linea di taglio prima di iniziare il lavoro
- Evitate possibili danneggiamenti da viti e chiodi sporgenti; rimuoverli prima di iniziare la lavorazione
- **Fissare il pezzo da lavorare** (un pezzo in lavorazione rimane bloccato in posizione con maggiore sicurezza se fissato con appositi dispositivi di serraggio o con una morsa e non tenendolo con la mano)

### DURANTE L'USO

- **Tenere l'elettrotensile per le superfici isolate dell'impugnatura qualora venissero effettuati lavori durante i quali l'accessorio potrebbe venire a contatto con cavi elettrici nascosti oppure con il proprio cavo di rete** (il contatto con un cavo sotto tensione può mettere sotto tensione anche parti metalliche dell'elettrotensile, causando una scossa elettrica)
- Mantenere sempre il cavo distante dalle parti in movimento dell'utensile; spingere il cavo verso la parte posteriore, distante dall'utensile
- Se durante un'operazione di lavoro viene danneggiato oppure troncato il cavo, non toccare il cavo ma estrarre immediatamente la spina dalla presa
- Non usare l'utensile quando il cavo è danneggiato; farlo sostituire da personale qualificato
- Nel caso di cattivo funzionamento elettrico o meccanico, spegnete subito l'utensile e staccate la spina
- Tenete lontane le mani dalla lama quando l'utensile è in moto

### ACCESSORI

- La SKIL garantisce un perfetto funzionamento dell'utensile soltanto se vengono utilizzati accessori originali
- Non usate la lama in caso sia crepata, deformata o non tagliente

### USO ALL'ESTERNO

- Quando usato l'esterno, collegare l'utensile ad un interruttore automatico di rete (FI) con una corrente di scatto di 30 mA massimo, ed usare solamente il cavo di prolunga inteso per uso esterno e munito di una presa antispruzzo

### DOPO L'USO

- Quando riponete l'utensile accertatevi che non ci siano parti in movimento e che il motore sia spento

### SPIEGAZIONE DEI SIMBOLI PRESENTI

#### SULL'UTENSILE

- ③ Leggere il manuale di istruzioni prima dell'uso
- ④ Doppio isolamento (non è necessario alcun cavo di terra)
- ⑤ Non gettare l'utensile tra i rifiuti domestici

## USO

- Acceso/spento ⑥
- Blocco dell'interruttore per il funzionamento continuo ⑦
- Cambio della lama ⑧
- ! **inserire la lama sino in fondo con i denti posizionati in avanti** ⑨
- Taglio a 45° ⑩
  - per il migliore risultato, selezionare il modo di taglio "all/curve"

- ! **il piede deve poggiare in posizione piana sull'utensile** (10 a o 10 b)
- Selezione del modo di taglio (11)
  - 1 posizione ("all/curve") per un taglio accurato in tutti i materiali, diritto + curvo
  - 4 posizioni per un taglio rapido in diversi materiali, solo diritto
    - grigio = metallo
    - azzurro = plastica
    - marrone = legno duro
    - verde = legno tenero
- ! **selezionare sempre "all/curve" quando si sta tagliando materiale fragile**
- Regolazione del numero di corse in base al materiale utilizzato (12)
  - ! **se l'utensile non funziona con la rotella D in posizione 1, selezionare un numero di corse più alto ed in seguito diminuire il numero di corse mentre l'utensile è in moto**
- Aspirazione della polvere (13 a)
  - ! **non usare l'aspirapolvere quando si tagliano metalli**
- Soffiatore della polvere (13 b)
- Riflettore (14)
- Uso dell'utensile
  - prima di azionare l'utensile, assicurarsi che l'estremità frontale del piede sia in posizione piana sul pezzo da lavorare
  - tenere l'utensile con entrambe le mani, in modo da avere in qualsiasi momento il controllo dell'utensile
  - ! **durante la lavorazione, impugnare l'utensile sempre in corrispondenza della(e) area(e) grigia(e)** (15)
  - il piede deve poggiare completamente su tutta la superficie
  - ! **prima di rimuovere l'utensile del pezzo da lavorare assicuratevi che la lama sia ferma**
  - tenere scoperte le feritoie di ventilazione G (2)

## CONSIGLIO PRATICO

- Usare le lame appropriate (16)
  - ! **usare solamente le lame con gambo a T** (17)
- Quando si tagliano metalli, lubrificare la lama regolarmente con olio
- Per un accurato taglio diritto, guidare l'utensile con il suo lato piano lungo il bordo di un pezzo di legno rettilineo (18)
- Preparare un foro prima di eseguire di tagli dal pieno (19)
- Taglio senza schegge
  - coprire la linea di taglio con più strati di nastro largo prima di taglio
  - posizionare sempre la parte più rifinita del pezzo in lavorazione verso il basso
- Per altri consigli consultare il sito [www.skil.com](http://www.skil.com)

## MANUTENZIONE / ASSISTENZA

- Questo utensile non è inteso per un uso professionale
- Tenete sempre puliti utensile e cavo (soprattutto le feritoie di ventilazione G (2))
  - ! **prima di pulire estrarre la spina dalla presa**
- Se nonostante gli accurati procedimenti di produzione e di controllo l'utensile dovesse guastarsi, la riparazione va

fatta effettuare da un punto di assistenza autorizzato per gli elettrodomestici SKIL

- inviare l'utensile **non smontato** assieme alle prove di acquisto al rivenditore oppure al più vicino centro assistenza SKIL (l'indirizzo ed il disegno delle parti di ricambio dell'utensile sono riportati su [www.skil.com](http://www.skil.com))

## TUTELA DELL'AMBIENTE

- **Non gettare l'utensile elettrico, gli accessori e l'imballaggio tra i rifiuti domestici** (solo per paesi UE)
  - secondo la Direttiva Europea 2012/19/CE sui rifiuti di utensili elettrici ed elettronici e la sua attuazione in conformità alle norme nazionali, gli utensili elettrici esausti devono essere raccolti separatamente, al fine di essere reimpiagati in modo eco-compatibile
  - il simbolo (5) vi ricorderà questo fatto quando dovrete eliminarle

## RUMOROSITÀ/VIBRAZIONE

- Misurato in conformità al EN 60745 il livello di pressione acustica di questo utensile è 90 dB(A) ed il livello di potenza acustica 101 dB(A) (deviazione standard: 3 dB), e la vibrazione \* m/s<sup>2</sup> (somma dei vettori in tre direzioni; incertezza K = 1,5 m/s<sup>2</sup>)
  - \* quando si tagliano legno 8,8 m/s<sup>2</sup>
  - \* quando si tagliano metalli 13,3 m/s<sup>2</sup>
- Il livello di emissione delle vibrazioni è stato misurato in conformità a un test standardizzato stabilito dalla norma EN 60745; questo valore può essere utilizzato per mettere a confronto un l'utensile con un altro o come valutazione preliminare di esposizione alla vibrazione quando si impiega l'utensile per le applicazioni menzionate
  - se si utilizza l'utensile per applicazioni diverse, oppure con accessori differenti o in scarse condizioni, il livello di esposizione potrebbe **aumentare** notevolmente
  - i momenti in cui l'utensile è spento oppure è in funzione ma non viene effettivamente utilizzato per il lavoro, possono contribuire a **ridurre** il livello di esposizione
- ! **protegersi dagli effetti della vibrazione effettuando la manutenzione dell'utensile e dei relativi accessori, mantenendo le mani calde e organizzando i metodi di lavoro**

H

Szűrőfűrés

4370

BEVEZETÉS

- E szerszám fa, műanyag, kerámia lapok és gumi át- és kivágására készült, továbbá alkalmas egyenes és ívelt 0°-ban vagy 45°-ban vágásokra is
- Az elektromos kéziszerszám lámpája az elektromos kéziszerszám közvetlen munkaterületének megvilágítására szolgál, a háztartásban lévő helyiségek megvilágítására nem alkalmas
- Ez a szerszám nem professzionális használatra készült



- Olvassa el figyelmesen és őrizze meg a használati utasítást ③

## MŰSZAKI ADATOK ①

### SZERSZÁMGÉP ELEMEI ②

- A Be/Ki kapcsoló
- B Kapcsolórögüzítőgomb
- C A fűrészelési mód kiválasztására szolgáló kar
- D A fűrészelési sebesség beállítására szolgáló kerék
- E Porelszívás ki-/be kapcsoló
- F Spotlámpa
- G Szellőzőnyílások

## BIZTONSÁG

### ÁLTALÁNOS BIZTONSÁGI ELŐÍRÁSOK

**FIGYELEM!** Olvassa el az összes biztonsági figyelmeztetést és előírást. A következőkben leírt előírások betartásának elmulasztása áramütésekhez, tűzhöz és/vagy súlyos testi sérülésekhez vezethet. **Kérjük a későbbi használatra gondosan őrizze meg ezeket az előírásokat.** Az alább alkalmazott elektromos kéziszerszám fogalom a hálózati elektromos kéziszerszámokat (hálózati csatlakozó kábellel) és az akkumulátoros elektromos kéziszerszámokat (hálózati csatlakozó kábel nélkül) foglalja magában.

#### 1) MUNKAHELYI BIZTONSÁG

- Tartsa tisztán és tartsa rendben a munkahelyét.**  
Rendetlen munkahelyek vagy megvilágítatlan munkaterületek balesetekhez vezethetnek.
- Ne dolgozzon az elektromos kéziszerszámmal olyan robbanásveszélyes környezetben, ahol éghető folyadékok, gázok vagy porok vannak.** Az elektromos kéziszerszámok szikrákat bocsáthatnak ki, amelyek meggyújthatják a port vagy a gőzöket.
- Tartsa távol a gyerekeket és az idegen személyeket a munkahelytől, ha az elektromos kéziszerszámot használja.** Ha elvonják a figyelmét a munkától, könnyen elvesztheti az uralmát a berendezés felett.

#### 2) ELEKTROMOS BIZTONSÁGI ELŐÍRÁSOK

- A készülék csatlakozó dugójának bele kell illeszkednie a dugaszolóaljzatba. A csatlakozó dugót semmilyen módon sem szabad megváltoztatni. Védőfóldellessel ellátott készülékekkel kapcsolatban ne használjon csatlakozó adaptert.** A változtatás nélküli csatlakozó dugók és a megfelelő dugaszoló aljzatok csökkentik az áramütés kockázatát.
- Ne érjen hozzá földelt felületekhez, mint csövekhez, fűtőtestekhez, kályhákhoz és hűtőszekrényekhez.** Az áramütési veszély megnövekszik, ha a teste le van földelve.
- Tartsa távol az elektromos kéziszerszámot az esőtől és a nedvesség hatásaitól.** Ha víz hatol be egy elektromos kéziszerszámba, ez megnöveli az áramütés veszélyét.
- Ne használja a kábelt a rendeltetésétől eltérő célokra, vagyis a szerszámot soha ne hordozza vagy akassza fel a kábelnél fogva, és soha ne húzza**

**ki a hálózati csatlakozó dugót a kábelnél fogva. Tartsa távol a kábelt hőforrásoktól, olajtól, éles élektől, sarkaktól és mozgó gépalkatrészekről.** Egy megrongálódott vagy csomókkal teli kábel megnöveli az áramütés veszélyét.

- Ha egy elektromos kéziszerszámmal a szabad ég alatt dolgozik, csak a szabadban való használatra engedélyezett hosszabbítót használjon.** A szabadban való használatra engedélyezett hosszabbító használat csökkenti az áramütés veszélyét.
  - Ha nem lehet elkerülni az elektromos kéziszerszám nedves környezetben való használatát, alkalmazzon egy földzárlat megszakítót.** Egy földzárlat megszakító alkalmazása csökkenti az áramütés kockázatát.
- ### 3) SZEMÉLYI BIZTONSÁGI ELŐÍRÁSOK
- Munka közben mindig figyeljen, ügyeljen arra, amit csinál, és meggondoltan dolgozzon az elektromos kéziszerszámmal.** Ha fáradt, ha kábítószerek vagy alkohol hatása alatt áll, vagy orvosságokat vett be, ne használja a berendezést. A berendezéssel végzett munka közben már egy pillanatnyi figyelmetlenség is komoly sérülésekhez vezethet.
  - Viseljen személyi védőfelszerelést és mindig viseljen védőszemüveget.** A személyi védőfelszerelések, mint porvédő álarc, csúszásbiztos védőcipő, védősapka és fülvédő használatát az elektromos kéziszerszám használatát jellegének megfelelően csökkenti a személyes sérülések kockázatát.
  - Kerülje el a készülék akaratlan üzembe helyezését. Győződjön meg arról, hogy az elektromos kéziszerszám ki van kapcsolva, mielőtt bedugná a csatlakozó dugót a dugaszolóaljzatba, csatlakoztatná az akkumulátor-csomagot, és mielőtt felvenné és vinni kezdené az elektromos kéziszerszámot.** Ha az elektromos kéziszerszám felemelése közben az ujját a kapcsolón tartja, vagy ha a készüléket bekapcsolott állapotban csatlakoztatja az áramforráshoz, ez balesetekhez vezethet.
  - Az elektromos kéziszerszám bekapcsolása előtt okvetlenül távolítsa el a beállító szerszámokat vagy csavar kulcsokat.** Az elektromos kéziszerszám forgó részeiben felejtett beállító szerszám vagy csavar kulcs sérüléseket okozhat.
  - Ne bocsúljon túl önmagát. Kerülje el a normálistól eltérő testtartást, ügyeljen arra, hogy mindig biztosan álljon és az egyensúlyát megtartsa.** Így az elektromos kéziszerszám felett váratlan helyzetekben is jobban tud uralkodni.
  - Viseljen megfelelő ruhát. Ne viseljen bő ruhát vagy ékszereket. Tartsa távol a haját, a ruháját és a kesztyűjét a mozgó részekről.** A bő ruhát, az ékszereket és a hosszú haját a mozgó alkatrészek magukkal ránthatják.
  - Ha az elektromos kéziszerszámra fel lehet szerelni a por elszívásához és összegyűjtéséhez szükséges berendezéseket, ellenőrizze, hogy azok megfelelő módon hozzá vannak kapcsolva a készülékhez és rendeltetésüknek megfelelően működnek.** A porgyűjtő berendezések használata csökkenti a munka során keletkező por veszélyes hatását.

#### 4) AZ ELEKTROMOS KÉZISZERSZÁMOK GONDOS KEZELÉSE ÉS HASZNÁLATA

- a) **Ne terhelje túl az elektromos kéziszerszámot. A munkájához csak az arra szolgáló elektromos kéziszerszámot használja.** Egy alkalmas elektromos kéziszerszámmal a megadott teljesítménytartományon belül jobban és biztonságosabban lehet dolgozni.
  - b) **Ne használjon olyan elektromos kéziszerszámot, amelynek a kapcsolója elromlott.** Egy olyan elektromos kéziszerszám, amelyet nem lehet sem be-, sem kikapcsolni, veszélyes és meg kell javíttatni.
  - c) **Húzza ki a csatlakozó dugót a dugaszolóaljzatból és/vagy az akkumulátor-csomagot az elektromos kéziszerszámból, mielőtt az elektromos kéziszerszámon beállítási munkákat végez, tartozékokat cserél vagy a szerszámot tárolásra elteszi.** Ez az elővigyázatossági intézkedés meggátolja a szerszám akaratlan üzembe helyezését.
  - d) **A használaton kívüli elektromos kéziszerszámokat olyan helyen tárolja, ahol azokhoz gyerekek ne férhess nek hozzá. Ne hagyja, hogy olyan személyek használják az elektromos kéziszerszámot, akik nem ismerik a szerszámot, vagy nem olvasták el ezt az útmutatót.** Az elektromos kéziszerszámok veszélyesek, ha azokat gyakorlatlan személyek használják.
  - e) **A készüléket gondosan ápolja. Ellenőrizze, hogy a mozgó alkatrészek kifogástalanul működnek-e, nincsenek-e beszorulva, és nincsenek-e eltörve vagy megrongálódva olyan alkatrészek, amelyek hatással lehetnek az elektromos kéziszerszám működésére. A megrongálódott részeket a készülék használata előtt javíttassa meg.** Sok olyan baleset történik, amelyet az elektromos kéziszerszám nem kielégítő karbantartására lehet visszavezetni.
  - f) **Tartsa tisztán és éles állapotban a vágószerszámokat.** Az éles vágóélekkel rendelkező és gondosan ápolat vágószerszámok ritkábban ékelődnek be és azokat könnyebben lehet vezetni és irányítani.
  - g) **Az elektromos kéziszerszámokat, tartozékokat, betétszerszámokat stb. csak ezen előírásoknak használja. Vegye figyelembe a munkafeltételeket és a kivitelezendő munka sajátosságait.** Az elektromos kéziszerszám eredeti rendeltetésétől eltérő célokra való alkalmazása veszélyes helyzetekhez vezethet.
- 5) SZERVIZ
- a) **Az elektromos kéziszerszámot csak szakképzett személyzet és csak eredeti pótalkatrészek felhasználásával javíthatja.** Ez biztosítja, hogy az elektromos kéziszerszám biztonságos szerszám maradjon.

#### BIZTONSÁGI ELŐÍRÁSOK SZÜRÖFŰRÉSEKHEZ

##### ÁLTALÁNOS TUDNIVALÓK

- Mindig ellenőrizze, hogy a hálózati feszültség megegyezik-e a gép adattábláján feltüntetett értékkel (a 230V vagy 240V jelzésű gépek 220V feszültségre is csatlakoztathatók)
- Minden használat előtt ellenőrizze, hogy helyesen működik-e a szerszám, és amennyiben meghibásodást észlel, azonnal forduljon szakképzett szerelőhöz, ön soha ne nyissa ki

- **Ne munkáljon meg a berendezéssel azbeszтет tartalmazó anyagokat** (az azbeszтnek rákkeltő hatása van)
- A készüléket csak 16 éven felüli személyek használják
- Munka közben a zaj meghaladhatja a 85 dB(A); használjon fülvédőt
- Használjon védőszemüveget ha olyan anyaggal dolgozik amelyek sok forgácsot vagy szilánkot produkál
- Az anyagból származó por (mint például az ólmot, néhány fafajtát, ásványi anyagokat és fémeket tartalmazó festékek) káros lehet (a por érintése vagy belégzése allergiás reakciókat és/vagy légzőszervi betegségeket okozhat a kezelő, illetve a közelben állók esetében); **viseljen pormaszkot és amennyiben csatlakoztatható, dolgozzon porszívó berendezéssel**
- Bizonyos porfajták rákkeltő besorolással rendelkeznek (ilyen például a tölgy- és a bükkfa pora), különösen a fa kondicionálására szolgáló adalékokkal együtt; **viseljen pormaszkot és amennyiben csatlakoztatható, dolgozzon porszívó berendezéssel**
- Kövesse a por kezelésével kapcsolatos helyi előírásokat azon termékkel kapcsolatban, amellyel dolgozni kíván
- Használjon teljesen letekerés és biztonságos hosszabbítókábel, 16 A-es teljesítménnyel
- **Mindig húzza ki a dugaszolóaljzatot mielőtt tartozékokat cserélné vagy bármit változtatna a gép beállításán**

##### HASZNÁLAT ELŐTT

- Mielőtt elkezdéné a vágást, távolíts on el minden akadályt a vágási vonal elől
- Ügyeljen arra, hogy a munkadarabban lévő csavar, szög vagy hasonló sérüléseket ne okozhasson; a munka megkezdése előtt eltávolítandó
- **Rögzítse a munkadarabot** (befogókészülékkel vagy statuuval befogott munkadarabot sokkal biztonságosabban lehet rögzíteni mint a kézzel tartottat)

##### HASZNÁLAT KÖZBEN

- **Az elektromos kéziszerszámot csak a szigetelt fogantyúfelületeknél fogva tartsa, ha olyan munkát végez, amelynek során a betétszerszám feszültség alatt áll, kívülről nem látható vezetékhez, vagy a készülék saját hálózati csatlakozó kábeljéhez érhet** (ha a berendezés egy feszültség alatt álló vezetékhez ér, az elektromos kéziszerszám fémszerkezeti szintén feszültség alá kerülhetnek és áramütéshez vezethetnek)
  - A gép mozgó részétől mindig tartsa távol az elektromos kábelt; terelje a tápkábelt a gép hátulja felé, a géptől elfelé
  - Ha a kábel munka közben megsérül vagy el van vága, ne érjen a kábelhoz, hanem azonnal húzza ki a konektorból
  - Soha ne használja a szerszámot ha a kábel sérült; cseréltesse ki szakértő által
  - Normálistól eltérő működés valamint szokatlan, idegen hangok esetén a készüléket azonnal kapcsolja ki és a kábelt húzza ki a fali dugaszoló aljzattól
  - Amennyiben be van kapcsolva a gép, kezét tartsa távol a körfűrészlaptól
- ##### TARTOZÉKOK
- SKIL cég kizárólag eredeti alkatrészek és kiegészítők alkalmazása esetén tudja garantálni a gép problémamentes működését

• Ne használjon repedt, deformált vagy tompa fűrészlapot  
**KÜLTÉRI HASZNÁLAT**

• Amennyiben szabadban használja a szerszámot (FI), 30 mA indítóáramú hibaáram megszakítón keresztül csatlakozzon a hálózathoz, és csak olyan hosszabbító vezetékét használjon, mely szabadtéri használatra készült, és freccsenő víz ellen védett csatlakozóaljzata va

### A HASZNÁLATOT KÖVETŐEN

• A gépet soha ne hagyja bekapcsolt állapotban, ha már nem dolgozik vele

### A SZERSZÁMON TALÁLHATÓ SZIMBÓLUMOK MAGYARÁZATA

- ③ Használat előtt olvassa el a használati utasítást
- ④ Kettős szigetelés (földelővezeték nem szükséges)
- ⑤ A gépet ne dobja a háztartási szemétkébe

## KEZELÉS

- Be/Ki ⑥
- Kapcsolórögzőt folyamatos használat esetére ⑦
- A fűrészlapok cseréje ⑧  
! a fűrészlapot fogaival előremutató irányba, a tartó teljes mélységéig toljuk be ⑨
- Fűrészelés 45°-ban ⑩  
- a legjobb eredményhez válassza a "all/curve" fűrészelési módot  
! ellenőrizze, hogy a talpzat teljes felülete szilárdan felfeküdjön a szerszámházra ⑩a vagy ⑩b)
- Fűrészelési mód kiválasztása ⑪  
- 1 fokozat ("all/curve") precíz fűrészeléshez mód minden anyagban, egyenes + ívelt vágáshoz  
- 4 külön fokozat gyors fűrészeléshez módban különböző anyagokban, kizárólag egyenes vágáshoz  
szürke = fém  
kék = műanyag  
barna = kemény fa  
zöld = puha fa  
! szilánkérzékeny anyagok esetén mindig "all/curve" fűrészelést válasszon
- A fűrészelési sebesség beállítása a használt anyagnak megfelelően ⑫  
! ha a szerszám nem üzemel amikor a kerék D az 1-es pozícióban van, válasszon egy magasabb fűrészelési sebességet, majd csökkentse azt a szerszám üzemelése közben
- Por elszívás ⑬a  
! ne használja a porszívót fém vágása közben
- Porelfúvás ⑬b
- Spotlámpa ⑭
- A gép üzemeltetése  
- mielőtt bekapcsolja a szerszámot, ellenőrizze, hogy a talpzat első vége laposan helyezkedik el a megmunkálendő anyagon  
- fogja mindkét kézben keményen a szerszámot, hogy ilyenképpen mindig teljesen ura legyen az eszköznek  
! munka közben mindvégig tartsa gépet a szürke színű markolati terület(ek)en ⑮  
- ellenőrizze, hogy a talpzat teljes felülete szilárdan helyezkedik el a megmunkálendő anyagon  
! ellenőrizze, hogy a fűrészlap teljesen leállt mielőtt a gépet a munkadarabtól eltávolítja

- a szellőzőnyílásokat G ② mindig tartsa szabadon

## HASZNÁLAT

- Fontos, hogy mindig megfelelő fűrészlapot használjon ⑯  
! használjon csak T-befogóvégű fűrészlapot ⑰
- Fémek vágása esetén rendszeresen olajozza a fűrészlapot
- Precíz egyenes vágás érdekében vezesse a gépet egyenes fadarab széle mentén ⑱
- Teljes kivágás előtt készítsen előfuratot ⑲
- Szilánkmentes vágás  
- a vágást megelőzően ragassza le több rétegben a vágási vonalat széles szigetelőszalaggal  
- a munkadarab színét mindig lefelé fordítsa
- A [www.skil.com](http://www.skil.com) címen még több ötletet és javaslatot talál

## KARBANTARTÁS / SZERVIZ

- A szerszám nem professzionális használatra készült
- Mindig tartsa tisztán a gépet és a vezetékét (különös tekintettel a szellőzőnyílásokra G ②)  
! tisztítás előtt húzza ki a csatlakozódugót
- Ha a gép a gondos gyártási és ellenőrzési eljárás ellenére egyszer mégis meghibásodna, akkor a javítással csak SKIL elektromos kéziszerszám-műhely ügyfélszolgálatát szabad megbízni  
- küldje az összeszerelt gépet a vásárlást bizonyító számlával együtt a kereskedő vagy a legközelebbi SKIL szervizállomás címére (a címlista és a gép szervizdiagramja a [www.skil.com](http://www.skil.com) címen található)

## KÖRNYEZET

- Az elektromos kéziszerszámokat, tartozékokat és csomagolást ne dobja a háztartási szemétkébe (csak EU-országok számára)  
- a használt villamos és elektronikai készülékekről szóló 2012/19/EK irányelv és annak a nemzeti jogba való átültetése szerint az elhasznált elektromos kéziszerszámokat külön kell gyűjteni, és környezetbarát módon újra kell hasznosítani  
- erre emlékeztet a ⑤ jelzés, amennyiben felmerül az intézkedésre való igény

## ZAJ/REZGÉS

- Az EN 60745 alapján végzett mérések szerint ezen készülék hangnyomás szintje 90 dB(A) a hangteljesítmény szintje 101 dB(A) (normál eltérés: 3 dB), a rezgésszám \* m/s<sup>2</sup> (a három irány vektorösszege; szórás K = 1,5 m/s<sup>2</sup>)  
\* fa vágásához 8,8 m/s<sup>2</sup>  
\* fém vágásához 13,3 m/s<sup>2</sup>
- A rezgés-kibocsátási szint mérése az EN 60745 szabványban meghatározott szabványosított teszttel összhangban történt; ez egy eszköznek egy másik eszközzel történő összehasonlítására, illetve a rezgésnek való kitettség előzetes felmérésére használható fel az eszköznek az említett alkalmazásokra történő felhasználása során  
- az eszköznek eltérő alkalmazásokra, vagy eltérő, illetve rosszul karbantartott tartozékokkal történő felhasználása jelentősen emelheti a kitettség szintjét

- az idő, amikor az eszközök ki van kapcsolva, vagy amikor ugyan működik, de ténylegesen nem végez munkát, jelentősen **csökkentheti** a kitettség szintjét
- ! az eszközök és tartozékai karbantartásával, kezelek melegen tartásával, és munkavégzésének megszervezésével védje meg magát a rezgések hatásaitól

CS

## Kmitací pila

4370

### ÚVOD

- Tato pila je určená k vyřezávání otvorů a různých tvarů ze dřeva, plastu, kovů, keramických desek a pryže, a lze ji použít pro rovné a zakřivené řezy při 0° nebo 45°
- Světlo tohoto elektronářadí je určené k osvětlení bezprostřední pracovní oblasti elektronářadí a není vhodné pro osvětlení prostoru v domácnosti
- Tento nástroj není určen k profesionálnímu použití
- Tento návod s pokyny si pečlivě přečtěte a uschovejte ③

### TECHNICKÁ DATA ①

### SOUČÁSTI NÁSTROJE ②

- A Vypínač
- B Tlačítko k zajištění vypínače
- C Páčka na volbu režací režimu
- D Kolečko na regulaci rychlosti řezání
- E Spínač na ofuk prachu
- F Bodové světlo
- G Větrací štěrby

### BEZPEČNOST

#### VŠEOBECNÉ BEZPEČNOSTNÍ PŘEDPISY

**⚠ POZOR! Čtěte všechna varovná upozornění a pokyny.** Zanedbání při dodržování varovných upozornění a pokynů mohou mít za následek úder elektrickým proudem, požár a/nebo těžká poranění. **Všechna varovná upozornění a pokyny do budoucna uschovejte.** Ve varovných upozorněních použitý pojem "elektronářadí" se vztahuje na elektronářadí provozované na el. síti (se síťovým kabelem) a na elektronářadí provozované na akumulátoru (bez síťového kabelu).

#### 1) BEZPEČNOST PRACOVNÍHO MÍSTA

- a) **Udržujte Vaše pracovní místo čisté a uklizené.** Nepořádek nebo neosvětlené pracovní oblasti mohou vést k úrazům.
- b) **Se strojem nepracujte v prostředích ohrožených explozí, kde se nacházejí hořlavé kapaliny, plyny nebo prach.** Elektronářadí vytváří jiskry, které mohou prach nebo páry zapálit.
- c) **Děti a jiné osoby udržujte při použití elektronářadí daleko od Vašeho pracovního místa.** Při rozptýlení můžete ztratit kontrolu nad strojem.

#### 2) ELEKTRICKÁ BEZPEČNOST

- a) **Přípojovací zástrčka stroje musí lícovat se zásuvkou. Zástrčka nesmí být žádným způsobem upravena. Společně se stroji s ochranným uzemněním nepoužívejte žádné adaptérové zástrčky.** Neupravené zástrčky a vhodné zásuvky snižují riziko elektrického úderu.
- b) **Zabraňte kontaktu těla s uzemněnými povrchy, jako např. potrubí, topení, sporáky a chladničky.** Je-li Vaše tělo uzemněno, existuje zvýšené riziko elektrického úderu.
- c) **Chraňte stroj před deštěm a vlhkem.** Vniknutí vody do elektrického stroje zvyšuje nebezpečí elektrického úderu.
- d) **Dbejte na účel kabelu, nepoužívejte jej k nošení či zavěšení stroje nebo vytažení zástrčky ze zásuvky. Udržujte kabel daleko od tepla, oleje, ostrých hran nebo pohyblivých dílů stroje.** Poškozené nebo spletené kabely zvyšují riziko elektrického úderu.
- e) **Pokud pracujete s elektronářadím venku, použijte pouze takové prodlužovací kabely, které jsou schváleny i pro venkovní použití.** Použití prodlužovacího kabelu, jež je vhodný pro použití venku, snižuje riziko elektrického úderu.
- f) **Pokud se nelze vyhnout provozu elektronářadí ve vlhkém prostředí, použijte ochranný jistič.** Nasazení ochranného jističe snižuje riziko úderu elektrickým proudem.

#### 3) BEZPEČNOST OSOB

- a) **Buďte pozorní, dávejte pozor na to, co děláte a přistupujte k práci s elektronářadím rozumně. Stroj nepoužívejte pokud jste unavení nebo pod vlivem drog, alkoholu nebo léků.** Moment nepozornosti při použití elektronářadí může vést k vážným poraněním.
- b) **Noste osobní ochranné pomůcky a vždy ochranné brýle.** Nošení osobních ochranných pomůcek jako maska proti prachu, bezpečnostní obuv s protiskluzovou podrážkou, ochranná přilba nebo sluchátka, podle druhu nasazení elektronářadí, snižují riziko poranění.
- c) **Zabraňte neúmyslnému uvedení do provozu. Přesvědčte se, že je elektronářadí vypnuté dříve než jej uchopíte, poneseťe či připojíte na zdroj proudu a/ nebo akumulátor.** Máte-li při nošení elektronářadí prst na spínači nebo pokud stroj připojíte ke zdroji proudu zapnutý, pak to může vést k úrazům.
- d) **Než stroj zapnete, odstraňte seřizovací nástroje nebo šroubováky.** Nástroj nebo klíč, který se nachází v otáčivém dílu stroje, může vést k poranění.
- e) **Nepřeceňujte se. Zajistěte si bezpečný postoj a vždy udržujte rovnováhu.** Tím můžete stroj v neočekávaných situacích lépe kontrolovat.
- f) **Noste vhodný oděv. Nenoste žádný volný oděv nebo šperky. Vlasy, oděv a rukavice udržujte daleko od pohybujících se dílů.** Volný oděv, šperky nebo dlouhé vlasy mohou být zachyceny pohybujícími se díly.
- g) **Lze-li namontovat odsávací či zachycující přípravky, přesvědčte se, že jsou připojeny a správně použity.** Použití odsávacího prachu může snížit ohrožení prachem.

#### 4) SVĚDOMITÉ ZACHÁZENÍ A POUŽÍVÁNÍ ELEKTRONÁŘADÍ

- a) **Stroj nepřetěžujte. Pro svou práci použijte k tomu určený stroj.** S vhodným elektronářadím budete pracovat v udané oblasti výkonu lépe a bezpečněji.

- b) **Nepoužívejte žádné elektronářadí, jehož spínač je vadný.** Elektronářadí, které nelze zapnout či vypnout je nebezpečné a musí se opravit.
- c) **Než provedete seřízení stroje, výměnu dílů příslušenství nebo stroj odložíte, vytáhněte zástrčku ze zásuvky a/nebo odstraňte akumulátor.** Toto preventivní opatření zabrání neúmyslnému zapnutí stroje.
- d) **Uchovávejte nepoužívané elektronářadí mimo dosah dětí. Nenechte stroj používat osobám, které se strojem nejsou seznámeny nebo nečetly tyto pokyny.** Elektronářadí je nebezpečné, je-li používáno nezkušenými osobami.
- e) **Pečujte o stroj svědomitě. Zkontrolujte, zda pohyblivé díly stroje bezvadně fungují a nevzpříčují se, zda díly nejsou zlomené nebo poškozené tak, že je omezena funkce stroje. Poškozené díly nechte před nasazením stroje opravit.** Mnoho úrazů má příčinu ve špatně udržovaném elektronářadí.
- f) **Rezné nástroje udržujte ostré a čisté.** Pečlivě ošetřované rezné nástroje s ostrými reznými hranami se méně vzpříčují a dají se lehčeji vést.
- g) **Používejte elektronářadí, příslušenství, nasazovací nástroje apod. podle těchto pokynů. Respektujte přitom pracovní podmínky a prováděnou činnost.** Použití elektronářadí pro jiné než určující použití může vést k nebezpečným situacím.

## 5) SERVIS

- a) **Nechte Váš stroj opravit pouze kvalifikovaným odborným personálem a pouze s originálními náhradními díly.** Tím bude zajištěno, že bezpečnost stroje zůstane zachována.

## BEZPEČNOSTNÍ PŘEDPISY PRO KMITACÍ PILY

### OBEČNĚ

- Vždy zkontrolujte, zda je napájecí napětí stejné jako napětí uvedené na typovém štítku nástroje (nářadí určené k napájení 230V nebo 240V lze použít též v síti 220V)
- Před každým použitím zkontrolujte funkčnost nástroje a v případě poruchy jej dejte ihned opravit kvalifikovanou osobou; nástroj nikdy sami neotevírejte
- **Nepracovávajte žádný materiál obsahující azbest** (azbest je karcinogenní)
- Tento nástroj nesmí používat osoby mladší 16 let
- Hladina hluku může při práci přesáhnout 85 dB(A); vhodným prostředkem si chraňte udi
- Pracujete-li s materiálem, který se snadno dtěpi, použijte ochranné brýle
- Prach z látek, jako jsou barvy obsahující olovo, některé druhy dřeva, minerály a kovy, může být škodlivý (kontakt s prachem nebo jeho vdechnutí může způsobit alergickou reakci a/nebo vyvolat respirační choroby u obsluhy nebo přihlížejících); **noste protiprachovou masku a pracujte se zařízením na odsávání prachu, pokud je možné jej připojit**
- Některé druhy prachu jsou klasifikovány jako karcinogenní (například dubový a bukový prach) zejména ve spojení s přísadami pro úpravu dřeva; **noste protiprachovou masku a pracujte se zařízením na odsávání prachu, pokud je možné jej připojit**
- Dodržujte stanovená nařízení pro práci v prašném prostředí

- Používejte zcela rozvinuté a bezpečně prodlužovací šňůry o kapacitě 16 ampér
- **Před seřizováním, měněním pilových listů a příslušenství, vždy vytáhněte zástrčku nářadí z el. sítě**

### PŘED POUŽITÍM

- Před začátkem řezání odstraňte z řezané dráhy všechny překážky jak nahoře tak vespod obrobku
- Vrtačku nepoužívejte je-li navlhla a nepracuje v blízkosti snadno zápalných nebo výbušných materiálů; před zahájením práce je odstraňte
- **Zajistěte obráběný díl** (obráběný díl uchycený pomocí upinacích zařízení nebo ve svěráku je mnohem bezpečnější než v ruce)

### BĚHEM POUŽITÍ

- **Pokud provádíte práce, při kterých může nasazovací nástroj zasáhnout skrytá elektrická vedení nebo vlastní síťový kabel, pak držte elektronářadí na izolovaných plochách rukojeti** (kontakt s vedením pod napětím může přivést napětí i na kovové díly elektronářadí a vést k úderu elektrickým proudem)
- Šňůru udržujte vždy mimo dosah pohyblivých částí nástroje; šňůru nasměrujte dozadu, pryč od nástroje
- Jestliže přívodní šňůru při práci podkódníte nebo proříznete, nedotýkejte se jí a okamžitě ji vytáhněte ze sítě
- Pila se nesmí používat, je-li její přívodní šňůra poškozená; nechte si je kvalifikovaným pracovníkem vyměnit
- V případě atypického chování nebo cizích hluků ihned vypněte nářadí a vytáhněte zástrčku
- Při práci dodržujte bezpečnou vzdálenost vašich rukou od běžícího pilového listu

### PŘÍSLUŠENSTVÍ

- SKIL zajistí bezvadnou funkci nářadí pouze tehdy, používáte-li původní značkové
- Nepoužívejte pilu, je-li list prasklý, zdeformovaný nebo matný

### VENKOVNÍ POUŽITÍ

- Při venkovním použití zapojte nástroj přes jistič poruchového proudu (FI) se spouštěcím proudem max. 30 mA, a používejte pouze takovou prodlužovací šňůru, která je určena pro venkovní použití a je vybavena spojovací zásuvkou chráněnou proti stříkající vodě

### PO POUŽITÍ

- Jakmile se hodláte vzdálit od nářadí, měl byste ho vypnout a vyčkat, dokud se pohybující části nezastaví

### VYSVĚTLENÍ SYMBOLŮ NA NÁŘADÍ

- ③ Před použitím si přečtěte návod k použití
- ④ Dvojitá izolace (není nutný zemnicí drát)
- ⑤ Nářadí nevyhazujte do komunálního odpadu

## OBSLUHA

- Zapnuto/vypnuto ⑥
- Aretace spínače pro nepřetržitě použití ⑦
- Výměna pilových listů ⑧
- ! **pilový list zcela zasunut tak, aby zuby směřovaly vpřed** ⑨
- Řezání při 45° ⑩
  - k dosažení nejlepších výsledků si zvolte řezací režim "all/curve"

- ! **zkontrolujte, zda patka spočívá pevně na pouzdru nástroje (10) a nebo (10b)**
- Výběr režimu řezání (11)
  - 1 stupeň nastavení ("all/curve") k přesnému řezání ve všech druzích materiálů, přímce a po křívce
  - 4 stupně nastavení k rychlému řezání v různých materiálech, pouze přímce
    - šedá = kov
    - modrá = umělá hmota
    - hnědá = tvrdé dřevo
    - zelená = měkké dřevo
- ! **při řezání štěpivého materiálu použijte vždy režim "all/curve"**
- Seřizujte rychlosti řezání podle použitého materiálu (12)
  - ! **jestliže nástroj neběží správně s kolečkem D v poloze 1, zvolte si vyšší řezací rychlost a při chodu přístroje ji podle potřeby snižte**
- Odsávání prachu (13a)
  - ! **nepoužívejte vysavač při řezání kovu**
- Ofuk prachu (13b)
- Bodové světlo (14)
- Použití nástroje
  - před zapnutím pily zkontrolujte, zda přední hrana patky spočívá rovně na řezaném materiálu
  - uchopte nástroj pevně oběma rukama, abyste jej za všech okolností dokonale ovládali
  - ! **při práci vždy držte nástroj v šedě zabarvené oblasti rukojeti (15)**
  - zkontrolujte, zda patka spočívá celou plochou pevně na řezaném materiálu
  - ! **před vyjmutím nářadí z obrobku nejdříve sečkejte do úplného zastavení pilového listu**
  - udržujte větrací štěrbinu G (2) nezakryté

## NÁVOD K POUŽITÍ

- Použijte vhodné pilové listy (16)
  - ! **použijte pouze pilové listy se stopkami typu T (17)**
- Při řezání kovu listy pravidelně naolejujte
- K přesnému rovnému řezu ved'te patku nástroje podél hrany rovného kusu dřeva (18)
- Před vyřezáváním výkrojků sí do materiálu vyvrtejte otvor (19)
- Řezání bez štěpení
  - před řezáním nalepte na zamýšlený řez několik vrstev široké pásky
  - řezy provádějte vždy na rubu materiálu (licem dolů)
- Další tipy najdete na [www.skil.com](http://www.skil.com)

## ÚDRŽBA / SERVIS

- Tento nástroj není určen k profesionálnímu použití
- Nástroj a přívodní šňůru udržujte čisté (zejména větrací štěrbinu G (2))
  - ! **před čištěním odpojte zástrčku**
- Pokud dojde i přes pečlivou výrobu a náročné kontroly k poruše nástroje, svěřte provedení opravy autorizovanému servisnímu středisku pro elektronářadí firmy SKIL
  - zašlete nástroj **nerozebraný** spolu s potvrzením o nákupu své prodejně nebo nejbližšímu servisu značky SKIL (adresy a servisní schéma nástroje najdete na [www.skil.com](http://www.skil.com))

## ŽIVOTNÍ PROSTŘEDÍ

- **Elektrické nářadí, doplňky a balení nevyhazujte do komunálního odpadu** (jen pro státy EU)
  - podle evropské směrnice 2012/19/EG o nakládání s použitými elektrickými a elektronickými zařízeními a odpovídajících ustanovení právních předpisů jednotlivých zemí se použitá elektrická nářadí, musí sbírat odděleně od ostatního odpadu a podrobit ekologicky šetrnému recyklování
  - symbol (5) na to upozorňuje

## HLUČNOSTI/VIBRACÍ

- Měřeno podle EN 60745 činí tlak hlukové vlny tohoto přístroje 90 dB(A) a dávka hluchnosti 101 dB(A) (standardní odchylka: 3 dB), a vibrací \* m/s<sup>2</sup> (vektorový součet tří os; nepřesnost K = 1,5 m/s<sup>2</sup>)
  - \* při řezání dřeva 8,8 m/s<sup>2</sup>
  - \* při řezání kovu 13,3 m/s<sup>2</sup>
- Úroveň vibrací byla měřena v souladu se standardizovaným testem podle EN 60745; je možné ji použít ke srovnání jednoho přístroje s druhým a jako předběžné posouzení vystavování se vibracím při používání přístroje k uvedeným aplikacím
  - používání přístroje k jiným aplikacím nebo s jiným či špatně udržovaným příslušenstvím může zásadně **zvýšit** úroveň vystavení se vibracím
  - doba, kdy je přístroj vypnutý nebo kdy běží, ale ve skutečnosti není využíván, může zásadně **snižit** úroveň vystavení se vibracím
- ! **chráňte se před následky vibrací tak, že budete dbát na údržbu přístroje a příslušenství, budete si udržovat teplé ruce a uspořádáte si své pracovní postupy**

TR

## Decupaj testere

4370

## GİRİS

- Bu cihaz, tahta, plastik, metal, seramik ve kauçuk üzerinde 0° ve 45° ile dercelemek için kullanılır.
- Bu aletin işiği çalışır alanını doğrudan aydınlatmak için tasarlanmış olup, konutlardaki mekan aydınlatmasına uygun değildir.
- Bu alet profesyonel kullanıma yönelik değildir.
- Bu kullanma kılavuzunu okuyun ve saklayın (3)

## TEKNİK VERİLER (1)

## ALET BİLEŞENLERİ (2)

- A Açma/kapama şalteri
- B Anahtar kilitleme düğmesi
- C Kesme modu seçme kol
- D Kesme hızı ayar tekerleği
- E Tozu üfleme düğmesi
- F Spot ışık
- G Havalandırma yuvaları

# GÜVENLİK

## GENEL GÜVENLİK TALİMATI

**⚠ DİKKAT!** Bütün uyarıları ve talimat hükümlerini okuyun. Açıklanan uyarılara ve talimat hükümlerine uyulmadığı takdirde elektrik çarpmalarına, yangınlara ve/veya ağır yaralanmalara neden olabilir. **Bütün uyarıları ve talimat hükümlerini ileride kullanmak üzere saklayın.** Uyanı ve talimat hükümlerinde kullanılan "elektrikli el aleti" kavramı, akım şebekesine bağlı (şebeke bağlantı kablosu ile) aletlerle akü ile çalışan aletleri (akım şebekesine bağlantısı olmayan aletler) kapsamaktadır.

### 1) ÇALIŞMA YERİ GÜVENLİĞİ

- Çalıştığınız yeri temiz ve düzenli tutun.** İşyerindeki düzensizlik veya yetersiz aydınlatma kazalara neden olabilir.
- Yanıcı sıvıların, gazların veya tozların bulunduğunu patlama tehlikesi olan yer ve mekânlarda aletinizle çalışmayın.** Elektrikli el aletleri, toz veya buharların tutuşmasına veya yanmasına neden olan kıvılcımlar çıkarırlar.
- Elektrikli el aletinizle çalışırken çocukları ve başkalarını çalışma alanınızın uzağında tutun.** Yakınızdaki bulunan kişiler dikkatinizi dağıtabilir ve bu da alet üzerinde kontrolünüzü kaybetmenize neden olabilir.

### 2) ELEKTRİKSEL GÜVENLİK

- Aletinizi bağlantı fişi prize uymalıdır. Fişi hiçbir şekilde değiştirmeyin. Koruyucu topraklamalı aletlerle adaptörlü fiş kullanmayın.** Değiştirilmemiş, orijinal fiş ve uygun prizler elektrik çarpma tehlikesini azaltır.
- Borular, kalorifer tesisatı, ısıtıcılar ve buzdolapları gibi topraklanmış yüzeylerle bedensel temasa gelmekten kaçının.** Eğer bedeniniz topraklanacak olursa yüksek bir elektrik çarpma tehlikesi ortaya çıkar.
- Aletinizi yağmur ve nemden koruyun.** Elektrikli el aletinin içine suyun sızması elektrik çarpma tehlikesini yükseltir.
- Kabloyu kendi amacı dışında kullanmayın; örneğin aleti kablodan tutarak taşımayın, aleti kablo ile asmayın veya kablodan çekerek fişi prizden çıkarmayın. Kabloyu aşırı sıcaktan, yağlardan, keskin kenarlı cisimlerden veya aletin hareketli parçalarından uzak tutun.** Hasarlı veya dolaşmış kablo elektrik çarpma tehlikesini yükseltir.
- Elektrikli el aletinizle açık havada çalışırken mutlaka açık havada kullanılmaya müsadeeli uzatma kablosu kullanın.** Açık havada kullanılmaya uygun ve müsadeeli uzatma kablosunun kullanılması elektrik çarpma tehlikesini azaltır.
- Elektrikli el aletinin nemli ortamlarda çalıştırılması şartsa, mutlaka toprak kaçağı devre kesicisi kullanın.** Toprak kaçağı devre kesicisi kullanımı elektrik çarpma tehlikesini azaltır.

### 3) KİŞİLERİN GÜVENLİĞİ

- Dikkatli olun, ne yaptığınıza dikkat edin ve elektrikli el aletinizle çalışırken makul hareket edin. Yorgunsanız, hap, ilaç veya alkol almışsanız aletinizi kullanmayın.** Aletinizi kullanırken bir anlık dikkatsizliğiniz ciddi yaralanmalara yol açabilir.

- Daima kişisel korunma donanımları ve bir koruyucu gözlük kullanın.** Elektrikli el aletinin türü ve kullanımına uygun olarak kullanacağınız toz maskesi, kaymayan sağlam iş ayakkabıları, koruyucu kask veya koruyucu kulaklık gibi kişisel korunma donanımlarını kullanmanız yaralanma tehlikesini büyük ölçüde azaltır.
  - Aleti yanlışlıkla çalıştırmaktan kaçının. Akım ikmal şebekesine ve/veya aküye bağlamadan, elinize alıp taşımadan önce elektrikli el aletinin kapalı durumda olduğundan emin olun.** Elektrikli el aletini parmağınız şalter üzerinde dururken taşırırsanız ve alet açırken fişi prize sokarsanız kazalara neden olabilirsiniz.
  - Aleti çalıştırmadan önce ayar aletlerini veya tornavidaları aletten uzaklaştırın.** Dönen alet parçasına temas halinde bulunan bir uç veya anahtar yaralanmalara neden olabilir.
  - Kendinize çok fazla güvenmeyin. Duruşunuzun güvenli olmasına dikkat edin ve daima dengeni koruyun.** Bu sayede aletinizi beklenmedik durumlarda daha iyi kontrol edersiniz.
  - Uygun iş giysileri giyin. Çalışırken çok bol giysiler giymeyin ve takı takmayın. Saçlarınızı, giysilerinizi ve eldivenlerinizi aletin hareketli parçalarından uzak tutun.** Bol giysiler, takılar veya uzun saçlar aletin hareketli parçaları tarafından tutulabilir.
  - Aletinize toz emme donanımı ve toz tutma donanımı takılabiliyorsa, bunların bağlı olup olmadığını ve doğru işlev görüp görmediklerini kontrol edin.** Toz emme donanımının kullanımı tozdan kaynaklanabilecek tehlikeleri azaltır.
- ### 4) ELEKTRİKLİ EL ALETLERİYLE DİKKATLİ ÇALIŞMAK VE ALETİ DOĞRU KULLANMAK
- Aletinizi aşırı ölçüde zorlamayın. İşinize uygun elektrikli el aletini kullanın.** Uygun elektrikli el aleti ile belirtilen performans alanında daha iyi ve daha güvenli çalışırsınız.
  - Açma/kapama şalteri arızalı olan elektrikli el aletini kullanmayın.** Açılıp kapanamayan bir elektrikli el aleti tehlikelidir ve onarılması gerekir.
  - Alette bir ayarlama işlemine başlamadan ve/veya aküyü çıkarmadan önce, herhangi bir aksesuarı değiştirirken veya aleti elinizden bırakırken fişi prizden çekin.** Bu önlem, aletin kontrolünüz dışında ve istenmeden çalışmasını önler.
  - Kullanım dışında iken elektrikli el aletinizi çocukların ulaşamayacağı bir yerde saklayın. Aleti kullanmayı bilmeyen veya bu güvenlik talimatını okumayan kişilerin aleti kullanmasına izin vermeyin.** Deneyimsiz kişiler tarafından kullanıldıkları takdirde elektrikli el aletleri tehlikeli olabilirler.
  - Aletinizin bakımını özenle yapın. Aletin hareketli parçalarının kusursuz işlev görüp görmediklerini ve sıkışmadıklarını, parçaların kırık veya hasarlı olup olmadıklarını kontrol edin, aksi takdirde alet işlevini tam olarak yerine getiremez. Aletinizi kullanmadan önce hasarlı parçaları onartın.** Birçok iş kazası aletlerin kötü ve yetersiz bakımından kaynaklanır.
  - Kesici uçları keskin ve temiz tutun.** İyi bakım görmüş kesici uçlar daha ender sıkıştırlar ve daha iyi yönlendirilirler.
  - Elektrikli el aletlerini, aksesuarı, uçları ve benzerlerini bu güvenlik talimatına uygun olarak**

**kullanın. Aletinizi kullanırken çalışma koşullarını ve yaptığınız işi daima dikkate alın.** Elektrikli el aletlerini kendileri için öngörülen işlerin dışında kullanmak tehlikeli durumların ortaya çıkmasına neden olabilir.

## 5) SERVİS

a) **Aletinizi sadece uzman bir elemana ve orijinal yedek parçalar kullanılarak onartın.** Böylelikle aletin güvenliğini korumuş olursunuz.

## DEKUPAJ TESTERELERİ İÇİN GÜVENLİK TALIMATI

### GENEL

- Güç geriliminin, aletin özellik plakasında belirtilen voltaj değeriyle aynı olduğunu sık sık kontrol edin (230V veya 240V aletler 220V kaynağa bağlanabilir)
- Her kullanım öncesinde cihazın çalışmasını kontrol edin, herhangi bir arıza durumunda, hiç vakit kaybetmeden yetkili servis personeli tarafından onarılmasını sağlayın, cihazı kesinlikle kendiniz açmaya çalışmayın
- Bu aletle asbest içeren malzemeleri işlemeyin** (asbest kanserojen bir madde kabul edilir)
- Bu alet 16 yaşının altındaki kişiler tarafından kullanılmamalıdır
- Cihaz çalışırken gürültü seviyesi 85 dB(A) desibele kadar çıkabilir; kulak koruyucu kullanınız
- Parçacıklar çıkartan maddeler ile uğraşırken koruyucu gözlük takınız
- Kurşun içeren boya, bazı ahşap türleri, mineral ve metal gibi malzemelerden çıkan toz zararlı olabilir (tozla temasta bulunulması veya solunması operatörde veya yakında bulunan kişilerde alerjik reaksiyonlara ve/veya solunum yolu hastalıklarına neden olabilir); **toz maskesi takın ve toz ekstraksiyon cihazıyla çalışın (bağlanabiliyorsa)**
- Bazı toz tipleri (örneğin meşe ve kayın ağacı tozu), bilhassa ahşap yenileme katkı maddeleriyle birlikte, karsinojenik olarak sınıflandırılır; **toz maskesi takın ve toz ekstraksiyon cihazı ile çalışın (bağlanabiliyorsa)**
- Çalışmak istediğiniz malzemelerin, toz ile ilgili ulusal taleplerini takip ediniz
- Tamamen kusursuz ve güvenli 16 Amp uzatma kabloları kullanın
- İsteddiğiniz ayar değişikliklerini ve aksesuar değişikliklerini yapmadan önce mutlaka şebeke fişini prizden çekin**

### KULLANMADAN ÖNCE

- Kesme işlemine başlamadan önce, kesme hattı altındaki ve üstündeki bütün engelleri uzaklaştırın
- İş parçasının vida, çivi ve benzeri malzeme tarafından hasar görmemesi için dikkatli olun; çalışmaya başlamadan önce bunları çıkartın
- Çalıştığınız parçayı sabitleyin** (kıskaçlarla ya da mengeneyle sabitlenmiş bir iş parçası elle tutulan işten daha güvenlidir)

### KULLANIM SIRASINDA

- Çalışma esnasından uç görünmeyen akım kablolarına veya kendi bağlantı kablosuna temas etme olasılığı olan işleri yaparken aleti sadece izolasyonlu tutamaklarından tutun** (gerilim ileten kablolarla temas elektrikli el aletinin metal parçalarını da elektrik akımına maruz bırakabilir ve elektrik çarpmasına neden olabilir)

- Kabloyu her zaman aletin hareketli parçalarından uzak tutun; kabloyu arka tarafta araçtan uzakta bulundurun
- Eğer cihazı kullanırken kordon hasar görür yada kesilirse, kordona kesinlikle dokunmayınız ve derhal fişi çekiniz
- Kordon hasarlı iken cihazı kesinlikle kullanmayınız;
- uzman bir kişi tarafından değiştiriniz
- Elektriksel veya mekaniksel hatalı çalışması durumunda aleti hemen kapatın ve fişi çekin
- Alet açıkken ellerinizi testere

### AKSESUARLAR

- SKIL sadece orijinal aksesuarlar kullanıldığında aletin düzgün çalışmasını garanti eder
- Çatlamış, eskimiş ve kör bıçakları kullanmayınız

### DISARIDA KULLANIM

- Açık havada kullanırken, cihazı maksimum 30 mA tetikleyici akımı olan bir hatalı akım (FI) devre kesicisine bağlayın ve yalnızca açık havada kullanıma uygun ve su geçirmez ara prize olan bir uzatma kablosu kullanın

### KULLANIMDAN SONRA

- Aletinizi bırakıp gitmeden önce mutlaka kapatın ve döner parçalarını tam olarak durmasını bekleyin

### ALET ÜZERİNDEKİ SİMGELERİN AÇIKLAMASI

- 1 Kullanmadan önce kılavuzu okuyun
- 2 Çift yalıtım (topraklama kablosu gerekli değildir)
- 3 Aleti evdeki çöp kutusuna atmayınız

## KULLANIM

- Açma/kapama ⑥
- Sürekli kullanım için anahtar kilitleme ⑦
- Testere bıçağının değiştirilmesi ⑧
- ! testere bıçağını testere dişleri öne doğru gelecek biçimde en derin konumda sıkın ⑨**
- 45° ile kesme ⑩
  - iyi bir sonuç alabilmek için "all/curve" kesme modunu seçiniz
  - ! tabanın aletin yuvasına yatay olarak oturmuş olmasına dikkat ediniz (10a yada 10b)**
- Kesme modu seçme ⑪
  - 1 pozisyon ("all/curve") kademe bütün malzeme hassas kesim ve düz + biçimli kesimler için
  - 4 pozisyon değişik kademe malzemelerin kendi özelliklerine hızlı ve sadece düz kesme için gri = metal  
mavi = plastik  
kahverengi = sert tahta  
yeşil = yumuşak tahta
  - ! hassas malzemeleri keserken her zaman "all/curve" seçin**
- Kullanılan malzemeye göre kesme hızı ayarlama ⑫
- ! eğer alet 1.pozisyonda D çarkı ile çalışmıyorsa, daha yüksek hızlı bir kesme hızı seçiniz ve alet çalışır haldeyken hızı azaltınız**
- Toz emme ⑬a
- ! metalleri keserken süpürgeyi kullanmayınız**
- Toz üfleme ⑬b
- Spot ışık ⑭
- Aletin çalıştırılması
  - cihazı çalıştırmadan önce, testere tabanının ön ucunun çalıştığınız yüzey üzerinde yatay olarak durmasına dikkat ediniz
  - cihaz üzerinde her an kontrol sahibi olmak için, iki elinizle sıkıca tutunuz



- ! **çalışma esnasında, aleti daima gri renkli bölge(ler)den tutun(uz)** 15
- testere tabanının tümüyle çalıştığınız malzeme üzerinde olmasına dikkat ediniz
- ! **aleti iş parçasından çıkarmadan önce testere bıçağının tam olarak durmasını bekleyin**
- havalandırma yuvalarını G 2 açık tutun

## UYGULAMA

- Uygun testere uçları kullanın 16
- ! **sadece T-saft testere uçları kullanın** 17
- Metalleri keserken testere ucunu yağ ile düzenli olarak yağlayın
- Hassas düz bir kesim için, aleti ayak plakası ile tahtanın düzgün kenarından kılavuzlu olarak kullanın 18
- Kesikleri yapmadan önce delik açın 19
- Ayrılmasız kesme
  - kesme işleminden önce kesme noktasını bir kaç kat kalın bant ile kaplayın
  - malzemenin iyi yüzü daima aşağıya bakmalıdır
- Daha fazla ipucu için www.skil.com sitesini gezin

## BAKIM / SERVİS

- Bu alet profesyonel kullanıma yönelik değildir
- Aleti ve kablosunu daima temiz tutun (özellikle havalandırma yuvalarını G 2)
- ! **temizlemeden önce, cihazın fişini prizden çekin**
- Dikkatli biçimde yürütülen üretim ve test yöntemlerine rağmen aleti arıza yapacak olursa, onarım SKIL elektrikli aletleri için yetkili bir serviste yapılmalıdır
  - aleti ambalajıyla birlikte satın alma belgenizde ekleyerek satıcınıza veya en yakın SKIL servisine ulaştırın (adresler ve aletin servis şemaları www.skil.com adresinde listelenmiştir)

## ÇEVRE

- **Elektrikli aletlerini, aksesuarları ve ambalajları evdeki çöp kutusuna atmayınız** (sadece AB ülkeleri için)
- kullanılmış elektrikli aletleri, elektrik ve elektronik eski cihazlar hakkındaki 2012/19/EC Avrupa yönergelerine göre ve bu yönergeler ulusal hukuk kurallarına göre uyarlanarak, ayrı olarak toplanmalı ve çevre şartlarına uygun bir şekilde tekrar değerlendirmeye gönderilmelidir
- sembol 5 size bunu anımsatmalıdır

## GÜRÜLTÜ/TİTREŞİM

- Ölçülen EN 60745 göre ses basıncı bu makinanın seviyesi 90 dB(A) ve çalışma sırasındaki gürültü 101 dB(A) (standart sapma: 3 dB), ve titreşim \* m/s<sup>2</sup> (üç yönün vektör toplamı; tolerans K = 1,5 m/s<sup>2</sup>)
  - \* tahta keserken 8,8 m/s<sup>2</sup>
  - \* metalleri keserken 13,3 m/s<sup>2</sup>
- Titreşim emisyon seviyesi EN 60745'te sunulan standart teste göre ölçülmüştür; bu seviye, bir aleti bir başkasıyla karşılaştırmak amacıyla ve aletin söz konusu uygulamalarda kullanılması sırasında titreşime maruz kalma derecesinin ön değerlendirmesi olarak kullanılabilir

- aletin farklı uygulamalar için veya farklı ya da bakımı yetersiz yapılmış aksesuarlarla kullanılması, maruz kalma seviyesini belirgin biçimde **artırabilir**
- aletin kapalı olduğu veya çalıştığı ancak gerçek anlamda iş yapmadığı zamanlarda, maruz kalma seviyesi belirgin biçimde **azalabilir**
- ! **aletin ve aksesuarlarının bakımını yaparak, ellerinizi sıcak tutarak ve iş modellerinizi düzenleyerek kendinizi titreşimin etkilerinden koruyun**

PL

## Wyrzynarka

4370

## WSTĘP

- Narzędzie jest przeznaczone do cięcia i wycinania w drewnie, plastyku, metalu, płytkach ceramicznych i w gumie; nadaje się do cięcia prostego i krzywoliniowego pod kątem 0° lub 45°
- Światło elektronarzędzia przeznaczone jest do oświetlenia bezpośredniej przestrzeni roboczej elektronarzędzia; nie nadaje się ono do oświetlenia pomieszczeń w gospodarstwie domowym
- Narzędzie nie jest przeznaczone do zastosowań profesjonalnych
- Przeczytać i zachować niniejszą instrukcję obsługi 3

## DANE TECHNICZNE 1

## ELEMENTY NARZĘDZIA 2

- A Przycisk włącznik/wyłącznik
- B Przycisk blokady włącznika
- C Dźwignia wyboru trybu cięcia
- D Pokrętko do regulacji prędkości cięcia
- E Przełącznik dmuchawy odpylającej
- F Lampka punktowa
- G Szczeliny wentylacyjne

## BEZPIECZEŃSTWO

### OGÓLNE INSTRUKCJE BEZPIECZEŃSTWA

**UWAGA! Należy przeczytać wszystkie wskazówki i przepisy.** Błędy w przestrzeganiu poniższych wskazówek mogą spowodować porażenie prądem, pożar i/lub ciężkie obrażenia ciała. **Należy starannie przechowywać wszystkie przepisy i wskazówki bezpieczeństwa dla dalszego zastosowania.** Użyte w poniższym tekście pojęcie "elektronarzędzie" odnosi się do elektronarzędzi zasilanych energią elektryczną z sieci (z przewodem zasilającym) i do elektronarzędzi zasilanych akumulatorami (bez przewodu zasilającego).

### 1) BEZPIECZEŃSTWO MIEJSCA PRACY

- Miejsce pracy należy utrzymywać w czystości i dobrze oświetlone.** Nieporządek lub nie oświetlone miejsce pracy mogą doprowadzić do wypadków.
- Nie należy pracować tym narzędziem w otoczeniu zagrożonym wybuchem, w którym znajdują się np.**

- łatwopalne ciecze, gazy lub pyły. Elektronarzędzia wytwarzają iskry, które mogą podpalić ten pył lub pary.
- c) **Elektronarzędzie trzymać podczas pracy z daleka od dzieci i innych osób.** Przy nieuwadze można stracić kontrolę nad narzędziem.
- 2) BEZPIECZEŃSTWO ELEKTRYCZNE**
- a) **Wtyczka urządzenia musi pasować do gniazda. Nie wolno modyfikować wtyczki w jakikolwiek sposób. Nie należy używać wtyczek adapterowych razem z uziemnionymi narzędziami.** Niezmienione wtyczki i pasujące gniazda zmniejszają ryzyko porażenia prądem.
- b) **Należy unikać kontaktu z uziemnionymi powierzchniami jak rury, grzejniki, piece i lodówki.** Istnieje zwiększone ryzyko porażenia prądem, gdy Państwa ciało jest uziemnione.
- c) **Urządzenie należy przechowywać zabezpieczone przed deszczem i wilgocią.** Wniknięcie wody do elektronarzędzia podwyższa ryzyko porażenia prądem.
- d) **Nigdy nie należy używać kabla do innych czynności. Nigdy nie używać kabla do noszenia urządzenia za kabel, zawieszenia lub do wyciągania wtyczki z gniazda. Kabel należy trzymać z daleka od wysokich temperatur, oleju, ostrych krawędzi lub ruchomych części urządzenia.** Uszkodzone lub poplątane kable zwiększają ryzyko porażenia prądem.
- e) **W przypadku, kiedy elektronarzędziem pracuje się na świeżym powietrzu należy używać kabla przedłużającego, który dopuszczony jest do używania na zewnątrz.** Użycie dopuszczonego do używania na zewnątrz kabla przedłużającego zmniejsza ryzyko porażenia prądem.
- f) **Jeżeli nie da się uniknąć zastosowania elektronarzędzia w wilgotnym otoczeniu, należy użyć wyłącznika ochronnego różnicowo-prądowego.** Zastosowanie wyłącznika ochronnego różnicowo-prądowego zmniejsza ryzyko porażenia prądem.
- 3) BEZPIECZEŃSTWO OSÓB**
- a) **Należy być uważnym, uważać na to co się robi i pracę elektronarzędziem rozpocząć z rozsądkiem. Nie należy używać urządzenia gdy jest się zmęczonym lub pod wpływem narkotyków, alkoholu lub leków.** Moment nieuwagi przy użyciu urządzenia może doprowadzić do poważnych obrażeń ciała.
- b) **Należy nosić osobiste wyposażenie ochronne i zawsze okulary ochronne.** Noszenie osobistego wyposażenia ochronnego jak maska przeciwpylowa, nie ślizgające się buty robocze, hełm ochronny lub ochrona słuchu, w zależności od rodzaju i zastosowania elektronarzędzia zmniejsza ryzyko obrażeń ciała.
- c) **Należy unikać niezamierzonego uruchomienia narzędzia. Przed włożeniem wtyczki do gniazdka i/ lub podłączeniem do akumulatora, a także przed podniesieniem lub przeniesieniem elektronarzędzia, należy upewnić się, że elektronarzędzie jest wyłączone.** Trzymanie palca na wyłączniku podczas przenoszenia elektronarzędzia lub podłączenie do prądu włączanego narzędzia, może stać się przyczyną wypadków.
- d) **Zanim urządzenie zostanie włączone należy usunąć narzędzia nastawcze lub klucze.** Narzędzie lub klucz, które znajdują się w ruchomych częściach urządzenia mogą doprowadzić do obrażeń ciała.
- e) **Nie należy przeceniać swoich możliwości. Należy dbać o bezpieczną pozycję pracy i zawsze utrzymywać równowagę.** Przez to możliwa jest lepsza kontrola urządzenia w nieprzewidywanych sytuacjach.
- f) **Należy nosić odpowiednie ubranie. Nie należy nosić luźnego ubrania lub biżuterii. Włosy, ubranie i rekwizyty należy trzymać z daleka od ruchomych elementów.** Luźne ubranie, biżuteria lub długie włosy mogą zostać pociągnięte przez poruszające się części.
- g) **W przypadku, kiedy możliwe jest zamontowanie urządzeń odsysających lub podchwytyjących należy upewnić się, czy są one właściwie podłączone i prawidłowo użyte.** Użycie urządzenia odsysającego pył może zmniejszyć zagrożenie pyłami.
- 4) UWAŻNE OBCOWANIE ORAZ UŻYCIE ELEKTRONARZĘDZIA**
- a) **Nie należy przeciążać urządzenia. Do pracy używać należy elektronarzędzia, które jest do tego przewidziane.** Odpowiednim narzędziem pracuje się lepiej i bezpieczniej w podanym zakresie sprawności.
- b) **Nie należy używać elektronarzędzia, którego włącznik/wyłącznik jest uszkodzony.** Elektronarzędzie, którego nie można włączyć lub wyłączyć jest niebezpieczne i musi zostać naprawione.
- c) **Przed regulacją urządzenia, wymianą osprzętu lub po zaprzestaniu pracy narzędziem, należy wyciągnąć wtyczkę z gniazda i/lub usunąć akumulator.** Ten środek ostrożności zapobiega niezamierzonemu włączeniu się urządzenia.
- d) **Nie używane elektronarzędzia należy przechowywać poza zasięgiem dzieci. Nie należy udostępniać narzędzia osobom, które jego nie umieją lub nie przeczytały tych przepisów.** Używane przez niedoświadczonych osoby elektronarzędzia są niebezpieczne.
- e) **Urządzenie należy starannie konserwować. Należy kontrolować, czy ruchome części urządzenia funkcjonują bez zarzutu i nie są zablokowane, czy części nie są pęknięte lub uszkodzone, co mogłoby mieć wpływ na prawidłowe funkcjonowanie urządzenia. Uszkodzone narzędzie należy przed użyciem urządzenia oddać do naprawy.** Wiele wypadków spowodowanych jest przez niewłaściwą konserwację elektronarzędzi.
- f) **Osprzęt tnący należy utrzymywać ostry i czysty.** Starannie pielęgnowany osprzęt tnący z ostrymi krawędziami tnącymi blokuje się rzadziej i łatwiej się używa.
- g) **Elektronarzędzia, osprzęt, narzędzia itd. należy używać odpowiednio do tych przepisów. Uwzględnić należy przy tym warunki pracy i czynność do wykonania.** Użycie elektronarzędzi do innych niż przewidziane prace może doprowadzić do niebezpiecznych sytuacji.
- 5) SERWIS**
- a) **Naprawę urządzenia należy zlecić jedynie kwalifikowanemu fachowcowi i przy użyciu oryginalnych części zamiennych.** To gwarantuje, że bezpieczeństwo użytkownika zostanie zachowane.

## PRZEPISY BEZPIECZEŃSTWA DO WYRZYNIARKI

### OGÓLNE

- Każdorazowo należy sprawdzać, czy napięcie zasilania jest zgodne z napięciem podanym na tabliczce znamionowej urządzenia (narzędzia na napięcie znamionowe 230V lub 240V zasilac można także napięciem 220V)
- Sprawdzić, czy urządzenie działa prawidłowo; w przypadku uszkodzenia naprawy powinien dokonać wykwalifikowany personel techniczny; nigdy nie otwierać samemu urządzenia
- **Nie należy obrabiać materiału zawierającego azbest** (azbest jest rakotwórczy)
- Narzędzie nie powinny używać dzieci poniżej 16 roku życia
- Poziom hałas podczas pracy może przekraczać 85 dB(A); używać nauszники do ochrony słuchu
- Podczas pracy z materiałami wytwarzającymi wióry nosić okulary ochronne
- Pył pochodzący z takich materiałów, jak farby zawierające ołów, niektóre gatunki drzewa, minerały i metal może być szkodliwy (kontakt z nim lub wdychanie takiego pyłu może powodować reakcje alergiczne i/lub niewydolność oddechową u operatora lub osób towarzyszących); **należy zakładać maskę przeciwpyłową i pracować z urządzeniem odsysającym, jeżeli można je podłączyć**
- Niektóre rodzaje pyłu są zaklasyfikowane jako rakotwórcze (takie, jak pył dębu i buka) szczególnie w połączeniu z dodatkami do kondycjonowania drewna; **należy zakładać maskę przeciwpyłową i pracować z urządzeniem odsysającym pył, jeżeli można je podłączyć**
- Należy stosować się do lokalnych wymogów dotyczących pracy w otoczeniu pyłu powstającego podczas obróbki materiału
- W przypadku korzystania z kabla przedłużającego należy zwrócić uwagę, aby był maksymalnie nawinięty na bęben oraz był przystosowany do przewodzenia prądu o natężeniu przynajmniej 16 A
- **Przed przystąpieniem do wykonywania jakichkolwiek czynności przy narzędziu, w czasie przerw w pracy jak również po jej zakończeniu wyjąć wtyczkę z gniazda sieciowego**

### PRZED UŻYCIEM

- Przed przystąpieniem do obróbki należy usunąć wszelkie przeszkody znajdujące się po obu stronach obrabianego przedmiotu wzdłuż linii cięcia
- Uwaga na gwoździe, śruby i inne twarde przedmioty; przed przystąpieniem do obróbki powinny być usunięte z obrabianego przedmiotu; usunąć je przed rozpoczęciem pracy
- **Należy zabezpieczyć miejsce przeznaczone do zszycia** (miejsce przeznaczone do zszycia umieszczone w zaciskach lub imadle jest utrzymywane w miejscu bezpieczniejszej niż w ręku)

### PODCZAS UŻYWANIA

- **Podczas wykonywania prac, przy których narzędzie robocze mogłoby natrafić na ukryte przewody elektryczne lub na własny przewód zasilający, elektronarzędzie należy trzymać za izolowane**

**powierzchnie rękojeści** (kontakt z przewodem sieci zasilającej może spowodować przekazanie napięcia na części metalowe elektronarzędzia, co mogłoby spowodować porażenie prądem elektrycznym)

- Kabel zasilający powinien stale znajdować się w bezpiecznej odległości od wirującej części elektronarzędzia; kabel zasilający zawsze prowadzić z tyłu elektronarzędzia
- W przypadku uszkodzenia lub przecięcia przewodu podczas pracy, nie wolno go dotykać, tylko należy natychmiast wyciągnąć z gniazodka wtyczkę
- Pod żadnym pozorem nie wolno korzystać z narzędzia z uszkodzonym przewodem; zleć jego wymianę wykwalifikowanej osobie
- W przypadku wadliwego działania mechanicznych lub elektrycznych elementów urządzenia, należy bezzwocznie odłączyć narzędzie i wyjąć wtyczkę
- Nie zbliżać rąk do obracającej się piły tarczowej

### AKCESORIA

- SKIL może zagwarantować bezawaryjne działanie narzędzia tylko przy korzystaniu z oryginalnego wyposażenia dodatkowego
- Nie używać pękniętego, odkształconego lub tępego brzeszczotu

### STOSOWANIE NA DWORZE

- Pracując na otwartym powietrzu podłączyć urządzenie za pośrednictwem wyłącznika prądu zakłócenieowego (FI), wyzwalanego prądem o natężeniu nie przekraczającym 30 mA; używać wyłącznie specjalnego przedłużacza do pracy na otwartym powietrzu wyposażonego w bryzgoszczelne gniazdo sprzęgające

### PO UŻYCIU

- Przed pozostawieniem elektronarzędzia należy odłączyć zasilanie elektryczne i odczekać do całkowitego zatrzymania się wrzeciona

### OBJAŚNIENIE SYMBOLI NA NARZĘDZIU

- ③ Przed użyciem przeczytaj instrukcję obsługi
- ④ Podwójna izolacja (brak uziemienia)
- ⑤ Nie wyrzucaj narzędzie wraz z odpadami z gospodarstwa domowego

## UŻYTKOWANIE

- Włącznik/wyłącznik ⑥
- Blokada włącznika dla pracy ciągłej ⑦
- Wymiana brzeszczotów pił ⑧
  - ! **umieścić brzeszczot w uchwycie użębieniem do przodu wciskając go do końca** ⑨
- Cięcie pod kątem 45° ⑩
  - dla uzyskania optymalnych wyników należy wybrać tryb cięcia "all/curve"
  - ! **upewnić się, że stopa opiera się płasko o osłonę narzędzia** ⑩a lub ⑩b
- Wybieranie trybu cięcia ⑪
  - 1 położenie ("all/curve") do cięcia dokładnego we wszystkich materiałach, prosto- i krzywoliniowego
  - 4 położenia do cięcia szybkiego w różnych materiałach, wyłącznie prostoliniowego szary = metal  
niebieski = plastik  
brązowy = twarde drzewo  
zielony = miękkie drzewo

- ! **przy cięciu materiałów łupliwych należy zawsze wybierać tryb “all/curve”**
- Dostosowanie szybkości cięcia do rodzaju materiału ⑫
- ! **jeśli narzędzie nie porusza się przy pokręto D w położeniu 1, należy wybrać wyższą szybkość cięcia i obniżyć ją z chwilą wprawienia narzędzia w ruch**
- Odsysanie pyłu ⑬a
- ! **nie używać odsysacza podczas cięcia metalu**
- Dmuchawa pyłu ⑬b
- Lampka punktowa ⑭
- Obsługa narzędzia
  - przed włączeniem narzędzia upewnić się, że stopa jest ułożona płasko na obrabianym materiale
  - trzymać narzędzie mocno obiema rękoma, tak aby przez cały czas nad nim panować
- ! **podczas pracy zawsze trzymać narzędzie za uchwyt(y) ograniczone szarym kolorem ⑮**
- zapewnić pewne dociśnięcie całej powierzchni stopy wyrzynarki do obrabianego przedmiotu
- ! **przed podniesieniem narzędzia z obrabianego materiału należy się upewnić, że ostrze zatrzymało się w pełni**
- szczeliny wentylacyjne G ② powinny być odkryte

## WSKAZÓWKI UŻYTKOWANIA

- Używać właściwych brzeszczotów pił ⑯
- ! **tylko używać brzeszczotów pił z uchwytem typu T ⑰**
- Podczas cięcia metalu regularnie zwilżać olejem brzeszczot piły
- Podczas dokładnego cięcia prostoliniowego prowadzić podstawę narzędzia przy prostym kawałku drewna ⑱
- Przy wykonywaniu wycięć wywiercić wcześniej otwór ⑲
- Cięcie bez odlupywania krawędzi
  - przed piłowaniem linię cięcia zakleić kilkoma warstwami szerokiej taśmy klejącej
  - eksponowaną stroną piłowanego materiału zawsze układać do dołu
- Więcej wskazówek można znaleźć pod adresem [www.skil.com](http://www.skil.com)

## KONSERWACJA / SERWIS

- Narzędzie nie jest przeznaczone do zastosowań profesjonalnych
- Zawsze dbać o czystość narzędzia i przewodu zasilającego (a szczególnie otworów wentylacyjnych G ②)
- ! **przed przystąpieniem do czyszczenia należy wyjąć wtyk z gniazda sieciowego**
- Jeśli narzędzie, mimo dokładnej i wszechstronnej kontroli produkcyjnej ulegnie kiedykolwiek awarii, naprawę powinien przeprowadzić autoryzowany serwis elektronarzędzi firmy SKIL
  - odesłać **nierozebrany** narzędzie, wraz z dowodem zakupu, do dealera lub do najbliższego punktu usługowego SKIL (adresy oraz diagram serwisowy narzędzenia znajdują się na stronach [www.skil.com](http://www.skil.com))

## ŚRODOWISKO

- **Nie wyrzucaj elektronarzędzi, akcesoriów i opakowania wraz z odpadami z gospodarstwa domowego** (dotyczy tylko państw UE)
  - zgodnie z Europejską Dyrektywą 2012/19/WE w sprawie zużytego sprzętu elektrotechnicznego i elektronicznego oraz dostosowaniem jej do prawa krajowego, zużyte elektronarzędzia należy posegregować i zutylizować w sposób przyjazny dla środowiska
  - w przypadku potrzeby pozbycia się narzędzia, akcesoriów i opakowania - symbol ⑤ przypomni Ci o tym

## HAŁASU/WIBRACJE

- Pomiarów dokonano zgodnie z normą EN 60745 ciśnienie akustyczne narzędzia wynosi 90 dB(A) zaś poziom mocy akustycznej 101 dB(A) (poziom odchylenie: 3 dB), zaś wibracje \* m/s<sup>2</sup> (suma wektorowa z trzech kierunków; błąd pomiaru K = 1,5 m/s<sup>2</sup>)
  - \* podczas cięcia drewna 8,8 m/s<sup>2</sup>
  - \* podczas cięcia metalu 13,3 m/s<sup>2</sup>
- Poziom emisji wibracji został zmierzony zgodnie z testem standaryzowanym podanym w EN 60745; może służyć do porównania jednego narzędzia z innym i jako ocena wstępna narażenia na wibracje w trakcie używania narzędzia do wymienionych zadań
  - używanie narzędzia do innych zadań, lub z innymi albo źle utrzymanymi akcesoriami, może znacząco **zwiększyć** poziom narażenia
  - przypadki, kiedy narzędzie jest wyłączone lub jest czynne, ale aktualnie nie wykonuje zadania, mogą znacząco **zmniejszyć** poziom narażenia
- ! **należy chronić się przed skutkami wibracji przez konserwację narzędzia i jego akcesoriów, zakładanie rękawic i właściwą organizację pracy**

RU

Лобзик

4370

## ВВЕДЕНИЕ

- Этот инструмент предназначен для вырезания отверстий и осуществления вырезов в древесине, пластмассе, металле, керамических плитках и резине и может использоваться для вырезания по прямой или кривой линии под углом 0° или 45°
- Лампочка на электроинструменте предназначена для под-светки непосредственной зоны работы, она не пригодна для освещения помещения в доме
- Этот инструмент не подходит для промышленного использования
- Прочитайте и сохраните с данной инструкцией ③

## ТЕХНИЧЕСКИЕ ДАННЫЕ ①

### ДЕТАЛИ ИНСТРУМЕНТА ②

**A** Выключатель для вкл/выкл

**B** Кнопка для записания выключателя

- C Рычаг для выбора режима пиления
- D Колёсико для регулирования скорости пиления
- E Переключатель для удаления пыли
- F Лампа подсветки
- G Вентиляционные отверстия

## БЕЗОПАСНОСТЬ

### ОСНОВНЫЕ ИНСТРУКЦИИ ПО ТЕХНИКЕ БЕЗОПАСНОСТИ

**⚠ ВНИМАНИЕ!** Прочтите все указания и инструкции по технике безопасности. Упущения, допущенные при соблюдении указаний и инструкций по технике безопасности, могут стать причиной электрического поражения, пожара и тяжелых травм. **Сохраняйте эти инструкции и указания для будущего использования.** Используемое в настоящей инструкции и указаниях понятие “электроинструмент” распространяется на электроинструмент с питанием от сети (с кабелем питания от электросети) и на аккумуляторный электроинструмент (без кабеля питания от электросети).

#### 1) БЕЗОПАСНОСТЬ РАБОЧЕГО МЕСТА

- a) **Соблюдайте чистоту и поддерживайте надлежащую освещенность на рабочем месте.** Беспорядок на рабочем месте или его плохое освещение могут привести к несчастным случаям.
- b) **Не используйте с электроинструментом во взрывоопасной среде, т.е. в непосредственной близости от легковоспламеняющихся жидкостей, газов или пыли.** В процессе работы электроинструмент искрит и искры могут воспламенить газы или пыль.
- c) **При работе с электроинструментом не допускайте детей или посторонних на Ваше рабочее место.** Отвлечение Вашего внимания может привести к потере контроля над работой инструмента.

#### 2) ЭЛЕКТРИЧЕСКАЯ БЕЗОПАСНОСТЬ

- a) **Штепсельная вилка кабеля питания электроинструмента должна соответствовать розетке электросети. Не вносите никаких изменений в конструкцию вилки. Не используйте адапторы для электроинструмента с защитным заземлением.** Заводские штепсельные вилки и соответствующие им сетевые розетки существенно снижают вероятность электрошока.
- b) **Избегайте механических контактов с такими заземленными поверхностями, как трубопроводы, системы отопления, плиты и холодильники.** При соприкосновении человека с заземленными предметами во время работы инструментом вероятность электрошока существенно возрастает.
- c) **Оберегайте электроинструмент от воздействия дождя и влаги.** Попадание воды в электроинструмент повышает вероятность электрического удара.

- d) **Используйте кабель строго по назначению. Не допускается тянуть и передвигать электроинструмент за кабель или использовать кабель для вытягивания вилки из розетки. Оберегайте кабель инструмента от воздействия высоких температур, масла, острых кромок или движущихся частей электроинструмента.** Поврежденный или спутанный кабель повышает возможность электрического удара.
  - e) **При работе на улице используйте удлинитель, предназначенный для работы вне помещения.** Использование такого удлинителя снижает вероятность электрического удара.
  - f) **Если невозможно избежать применения электроинструмента в сыром помещении, то устанавливайте устройство защиты от утечки в землю.** Использование устройства защиты от утечки в землю снижает риск электрического поражения.
- #### 3) ЛИЧНАЯ БЕЗОПАСНОСТЬ
- a) **Будьте внимательны, следите за тем, что Вы делаете и выполняйте работу обдуманно. Не пользуйтесь электроинструментом, если Вы устали или находитесь под воздействием транквилизаторов, алкоголя или медицинских препаратов.** Секундная потеря концентрации в работе с электроинструментом может привести к серьезным травмам.
  - b) **Используйте средства индивидуальной защиты. Защитные очки обязательны.** Средства индивидуальной защиты, такие как противопылевой респиратор, нескользящая защитная обувь, шлем-каска, средства защиты органов слуха применяются в соответствующих условиях работы обстоятельствах и минимизируют возможность получения травм.
  - c) **Предотвращайте непреднамеренное включение электроинструмента. Перед подключением электроинструмента к электропитанию и/или к аккумулятору убедитесь в выключенном состоянии электроинструмента.** Если Вы при транспортировке электроинструмента держите палец на выключателе или включенный электроинструмент подключаете к сети питания, то это может привести к несчастному случаю.
  - d) **Во избежание травм перед включением инструмента удалите регулировочный или гаечный ключ из вращающейся части инструмента.**
  - e) **Не переоценивайте свои возможности. Твердо стойте на ногах и удерживайте равновесие.** В таком положении вы сможете лучше контролировать инструмент в неожиданных ситуациях.
  - f) **Используйте подходящую рабочую одежду. Не надевайте свободную одежду и украшения. Волосы, одежда и перчатки должны находиться подальше от движущихся частей электроинструмента.** Свободная одежда, украшения или длинные волосы легко могут попасть в движущиеся части электроинструмента.
  - g) **При наличии пылесосащихся и пылесборных приспособлений убедитесь в том, что они подсоединены и используются**

надлежащим образом. Применение пылеотсоса может снизить опасности, создаваемые пылью.

#### 4) ЭКСПЛУАТАЦИЯ И УХОД ЗА ЭЛЕКТРОИНСТРУМЕНТОМ

a) **Не перегружайте инструмент. Используйте тот инструмент, который предназначен для данной работы.** С подходящим инструментом Вы выполните работу лучше и надежней, используя весь диапазон его возможностей.

b) **Не используйте инструмент с неисправным выключателем.** Инструмент с неисправным выключателем опасен и подлежит ремонту.

c) **До начала наладки электроинструмента, замены принадлежностей или прекращения работы отключайте штепсельную вилку от розетки сети и/или выньте аккумулятор.** Данная мера предосторожности предотвращает случайное включение инструмента.

d) **Храните неиспользуемый электроинструмент в недоступном для детей месте и не позволяйте использовать его лицам, не умеющим с ним обращаться или не ознакомленным с инструкцией по эксплуатации.** Электроинструменты представляют собой опасность в руках неопытных пользователей.

e) **Электроинструмент требует надлежащего ухода. Проверяйте безупречность функции подвижных частей, лёгкость их хода, целостность всех частей и отсутствие повреждений, которые могут негативно сказаться на работе инструмента. При обнаружении повреждений сдайте инструмент в ремонт.** Большое число несчастных случаев связано с неудовлетворительным уходом за электроинструментом.

f) **Режущие части инструмента необходимо поддерживать в заточенном и чистом состоянии.** При надлежащем уходе за режущими принадлежностями с острыми кромками они реже заклиниваются и инструмент лучше поддаётся контролю.

g) **Используйте электроинструмент, принадлежности, биты и т.д. в соответствии с данными инструкциями, исходя из особенностей условий и характера выполняемой работы.** Использование электроинструмента не по назначению может привести к опасным последствиям.

#### 5) СЕРВИСНОЕ ОБСЛУЖИВАНИЕ

a) **Передавайте инструмент на сервисное обслуживание только квалифицированному персоналу, использующему только подлинные запасные части.** Это обеспечит сохранение безопасности электроинструмента.

#### УКАЗАНИЯ ПО БЕЗОПАСНОСТИ ДЛЯ РАБОТЫ С ЛОБЗИКОМ

##### ОБЩЕЕ

- Обязательно убедитесь, что напряжение питания соответствует напряжению, указанному на фирменном штепселе инструмента (инструменты,

рассчитанные на напряжение 230 В или 240 В, можно подключать к питанию 220 В)

- Проверяйте работоспособность электроинструмента перед каждым использованием и, в случае обнаружения неисправности, доверяйте его ремонт только квалифицированным специалистам; ни в коем случае не открывайте инструмент самостоятельно
- **Не обрабатывайте материалы с содержанием асбеста** (асбест считается канцерогеном)
- Инструмент нельзя использовать лицам в возрасте до 16 лет
- Поскольку уровень шума при работе данного инструмента может превышать 80 dB(A); всегда используйте защиту для ушей
- При работе с хрупкими и рассыпчатыми материалами всегда носите защитные очки
- Пыль от таких материалов, как свинцовосодержащая краска, некоторые породы дерева, минералы и металл, может быть вредна (контакт с такой пылью или ее вдыхание может стать причиной возникновения у оператора или находящихся рядом лиц аллергических реакций и/или респираторных заболеваний); **надевайте респиратор и работайте с пылеудаляющим устройством при включении инструмента**
- Некоторые виды пыли классифицируются как канцерогенные (например, дубовая или буковая пыль), особенно в сочетании с добавками для кондиционирования древесины; **надевайте респиратор и работайте с пылеудаляющим устройством при включении инструмента**
- Следуйте принятым в вашей стране требованиям/нормативам относительно пыли для тех материалов, с которыми вы собираетесь работать
- Используйте полностью размотанные и безопасные удлинители, рассчитанные на ток не менее 16 А
- **Перед регулировкой или сменой принадлежности обязательно выньте вилку из сетевой розетки**

##### ПЕРЕД ИСПОЛЬЗОВАНИЕМ

- Прежде чем приступить к резке, удалите все препятствия над траекторией резания и под ней
- Избегайте повреждений, которые могут быть вызваны винтами, гвоздями и прочими элементами, находящимися в обрабатываемом предмете; перед началом работы их нужно удалить
- **Закрепите обрабатываемую деталь** (обрабатываемая деталь, зафиксированная посредством зажимных устройств или тисков, закрепляется лучше, нежели при помощи рук)

##### ВО ВРЕМЯ ИСПОЛЬЗОВАНИЯ

- При выполнении работ, при которых рабочий инструмент может задеть скрытую электропроводку или собственный сетевой кабель, держите электроинструмент за изолированные ручки (контакт с находящейся под напряжением проводкой может заряжать металлические части электроинструмента и приводить к удару электрическим током)
- Следите за тем, чтобы сетевой шнур не находился рядом с движущимися деталями инструмента; нужно всегда направлять электрический шнур к задней

части инструмента, исключая его захват инструментом

- При повреждении или разрезании сетевого шнура во время работы не прикасайтесь к нему, и немедленно выньте вилку из розетки
- Никогда не используйте инструмент, если сетевой шнур повреждён; необходимо, чтобы квалифицированный специалист заменил сетевой шнур
- В случае любой электрической или механической неисправности немедленно выключите инструмент и выньте вилку из розетки
- При использовании инструментом держите руки подальше от режущих деталей

### ПРИНАДЛЕЖНО

- SKIL обеспечивает надёжную работу инструмента только при использовании соответствующих приспособлений
- Не используйте деформированные, тупые пилки/диски и т.п. и пилки/диски с трещинами

### ИСПОЛЬЗОВАНИЕ ВНЕ ПОМЕЩЕНИЯ

- При работе вне помещения, подключайте электроинструмент через предохранитель короткого замыкания (FI) с максимальным пусковым током 30 мА и используйте только удлинительный кабель, предназначенный для внешних работ и оборудованный защищенной от брызг розеткой

### ПОСЛЕ ИСПОЛЬЗОВАНИЯ

- Перед тем как положить инструмент, выключите двигатель и убедитесь в том, что все движущиеся детали полностью остановились

### ПОЯСНЕНИЕ К УСЛОВНЫМ ОБОЗНАЧЕНИЯМ НА ИНСТРУМЕНТЕ

- ③ Перед использованием ознакомьтесь инструкцию по применению
- ④ Двойная изоляция (заземляющий провод не требуется)
- ⑤ Не выкидывайте инструмент вместе с бытовым мусором

## ИСПОЛЬЗОВАНИЕ

- Включение/выключение ⑥
- Блокировка выключателя для продолжительного использования ⑦
- Замена полотен пил ⑧
  - ! **вставьте полотно до упора (зубья должны быть направлены вперед)** ⑨
- Пиление под углом 45° ⑩
  - для хорошего результата установите режим "all/curve"
  - ! **убедитесь в том, что лапа полностью опирается на кожу инструмента** (⑩a и ⑩b)
- Выбор режима пиления ⑪
  - 1 режим ("all/curve") для точной резки по любому материалу, прямых + кривых разрезов
  - 4 режима для быстрой резки по различным материалам, только прямых разрезов
    - серый = металл
    - синий = пластик
    - коричневый = твердые породы дерева
    - зеленый = мягкие породы дерева

! **при работе на легко расщепляющемся материале выбирайте "all/curve"**

- Регулировка скорости в зависимости от материала ⑫
  - ! **если инструмент не работает, когда ручка D в положении 1, установите более высокую скорость и понизьте скорость пиления во время работы инструмента**
- Отсасывание пыли ⑬a
  - ! **не используйте пылесос при работе с металлами**
- Выдувание пыли вентилятором ⑬b
- Подсветка ⑭
- Использование инструмента
  - перед включением инструмента убедитесь в том, что передний конец лапы установлен плотно на обрабатываемую поверхность
  - держите инструмент надёжно двумя руками, чтобы иметь постоянный и полный контроль
  - ! **во время работы, всегда держите инструмент за места правильного хвата, которые обозначены серым цветом** ⑮
  - убедитесь в том, что вся поверхность лапы надёжно опирается на рабочую поверхность
  - ! **перед удалением инструмента с обрабатываемой поверхности убедитесь в полной остановке пол**
  - содержите вентиляционные отверстия G ② не закрытыми

## СОВЕТЫ ПО ИСПОЛЬЗОВАНИЮ


- Используйте соответствующие пилки ⑯
  - ! **само используйте пилки с T-образным хвостовиком** ⑰
- При работе с металлами регулярно смазывайте пилки маслом
- Для аккуратных распилов по прямой линии ведите инструмент вдоль края прямого деревянного отреза ⑱
- Перед вырезанием сквозных отверстий предварительно просверлите отверстие дрелью ⑲
- Пропил без расщепления
  - наклейте несколько слоёв широкой ленты на линию разреза
  - всегда режьте по противоположной (тыльной) стороне материала
- См дополнительную информацию на сайте [www.skil.com](http://www.skil.com)

## ТЕХОБСЛУЖИВАНИЕ / СЕРВИС

- Данный инструмент не подходит для промышленного использования
- Всегда содержите инструмент и его шнур в чистоте (особенно вентиляционные отверстия G ②)
  - ! **перед чисткой инструмента выньте вилку из розетки**
- Если инструмент, несмотря на тщательные методы изготовления и испытания, выйдет из строя, то ремонт следует производить силами авторизованной сервисной мастерской для электроинструментов фирмы SKIL

- отправьте **неразобранный** инструмент со свидетельством покупки Вашему дилеру или в ближайшую станцию обслуживания фирмы SKIL (адреса и схема обслуживания инструмента приведены в вебсайте [www.skil.com](http://www.skil.com))

## ОХРАНА ОКРУЖАЮЩЕЙ СРЕДЫ

- **Не выкидывайте электроинструмент, принадлежности и упаковку вместе с бытовым мусором** (только для стран ЕС)
- во исполнение европейской директивы 2012/19/ЕС об утилизации отслужившего свой срок электрического и электронного оборудования и в соответствии с действующим законодательством, утилизация электроинструментов производится отдельно от других отходов на предприятиях, соответствующих условиям экологической безопасности
- значок  напомним Вам об этом, когда появится необходимость сдать электроинструмент на утилизацию



- Информация о сертификате соответствия расположена на последней странице настоящей инструкции
- **Дата производства** указана на последней странице настоящей инструкции
- Информацию об **импортере** изделия можно найти на упаковке
- Сертификаты соответствия хранятся по адресу:

ООО «Роберт Бош»  
Вашутинское шоссе, 24  
141400, г. Химки, Московская область  
Россия

ТОО «Роберт Бош»  
пр. Райымбека, ул. Коммунальная 169/1  
050050 Алматы  
Казахстан

## ШУМНОСТИ/ВИБРАЦИИ

- При измерении в соответствии со стандартом EN 60745 уровень звукового давления для этого инструмента составляет 90 дБ (А) и уровень звуковой мощности - 101 дБ (А) (стандартное отклонение: 3 дБ), и вибрации - \* м/с<sup>2</sup> (векторная сумма трех направлений; недостоверность K = 1,5 м/с<sup>2</sup>)  
\* при резке дерева 8,8 м/с<sup>2</sup>  
\* при резке металла 13,3 м/с<sup>2</sup>
- Уровень вибрации был измерен в соответствии со стандартизированным испытанием, содержащимся в EN 60745; данная характеристика может использоваться для сравнения одного инструмента с другим, а также для предварительной оценки воздействия вибрации при использовании данного инструмента для указанных целей


- при использовании инструмента в других целях или с другими/неисправными вспомогательными приспособлениями уровень воздействия вибрации может значительно **повышаться**
- в периоды, когда инструмент отключен или функционирует без фактического выполнения работы, уровень воздействия вибрации может значительно **снижаться**
- ! **защищайте себя от воздействия вибрации, поддерживая инструмент и его вспомогательные приспособления в исправном состоянии, поддерживая руки в тепле, а также правильно организуя свой рабочий процесс**

UA

## Електричний лобзик

4370

### ВСТУП

- Цей інструмент призначений для вирізання отворів та виконання пропилів у деревині, пластмасі, металі, керамічній плитці та гумі; може використовуватись для вирізання по прямій та під кутом 0° або 45°
- Лампочка в електроінструменті призначена для підсвітлювання безпосередньої зони роботи, вона не придатна для освітлювання приміщень у будинку
- Цей інструмент не придатний для промислового використання
- Прочитайте і збережіть цю Інструкцію з експлуатації 


### ТЕХНІЧНІ ДАНІ

### ЕЛЕМЕНТИ ІНСТРУМЕНТА

- A** Вимикач живлення
- B** Кнопка блокування вимикача
- C** Важіль вибору режиму розпилювання
- D** Колесо для регулювання швидкості розпилювання
- E** Вимикач для викиду пилу
- F** Підсвітка
- G** Вентиляційні отвори

### БЕЗПЕКА

#### ЗАГАЛЬНІ ВКАЗІВКИ З ТЕХНІКИ БЕЗПЕКИ

 **УВАГА! Прочитайте всі попередження і вказівки.** Недодержання попереджень і вказівок може призводити до удару електричним струмом, пожежі та/або серйозних травм. **Добре зберігайте на майбутнє ці попередження і вказівки.** Під поняттям "електроприлад" в цих попередженнях мається на увазі електроприлад, що працює від мережі (з електрокабелем) або від акумуляторної батареї (без електрокабелю).

#### 1) БЕЗПЕКА НА РОБОЧОМУ МІСЦІ

- Примайте своє робоче місце в чистоті та прибирайте його.** Безлад або погане освітлення на



- робочому місці можуть призводити до нещасних випадків.
- b) **Не працюйте з приладом у середовищі, де існує небезпечна вибуху внаслідок присутності горючих рідин, газів або пилу.** Електроприлади можуть породжувати іскри, від яких може займатися пил або пари.
- c) **Під час працювання з приладом не підпускайте до робочого місця дітей та інших людей.** Ви можете втратити контроль над приладом, якщо Ваша увага буде відвернута.
- 2) ЕЛЕКТРИЧНА БЕЗПЕКА**
- a) **Штепсель приладу повинен пасувати до розетки. Не дозволяється щода-небудь міняти в штепселі. Для роботи з приладами, що мають захисне заземлення, не використовуйте адаптери.** Використання оригінального штепселя та належної розетки зменшує ризик удару електричним струмом.
- b) **Уникайте контакту частей тіла із заземленими поверхнями, як напр., трубами, батареями опалення, печами та холодильниками.** Коли Ваше тіло заземлене, існує збільшена небезпечка удару електричним струмом.
- c) **Захищайте прилад від дощу та вологи.** Попадання води в електроінструмент збільшує ризик удару електричним струмом.
- d) **Не використовуйте кабель для перенесення приладу, підвішування або витягування штепселя з розетки. Захищайте кабель від жару, олії, гострих країв та деталей приладу, що рухаються.** Пошкоджений або закручений кабель збільшує ризик удару електричним струмом.
- e) **Для зовнішніх робіт обов'язково використовуйте лише такий подовжувач, що допущений для зовнішніх робіт.** Використання подовжувача, що розрахований на зовнішні роботи, зменшує ризик удару електричним струмом.
- f) **Якщо не можна запобігти використанню електроприладу у вологому середовищі, використовуйте пристрій захисту від витоку в землю.** Використання зрестрою захисту від витоку в землю зменшує ризик удару електричним струмом.
- 3) БЕЗПЕКА ЛЮДЕЙ**
- a) **Будьте уважними, слідкуйте за тим, що Ви робите, та розсудливо поведіться під час роботи з електроприладом. Не користуйтеся приладом, якщо Ви стомлені або знаходитеся під дією наркотиків, спиртних напоїв або лік.** Мить неуважності при користуванні приладом може призводити до серйозних травм.
- b) **Вдягайте особисте захисне спорядження та обов'язково вдягайте захисні окуляри.** Вдягання особистого захисного спорядження, як напр., - в залежності від виду робіт - захисної маски, спецвзуття, що не ковзається, каски або навушників, зменшує ризик травм.
- c) **Уникайте ненавмисного вмикання. Перш ніж вмикати електроприлад в електромережу або встромляти акумуляторну батарею, брати його в руки або переносити, впевніться в тому, що електроприлад вимкнений.** Тримання пальця на вимикачі під час перенесення електроприладу або встромляння в розетку увімкнутого приладу може призводити до травм.
- d) **Перед тим, як вимкити прилад, приборіть налагоджувальні інструменти та гайковий ключ.** Знаходження налагоджувального інструмента або ключа в деталі, що обертається, може призводити до травм.
- e) **Не переоцінюйте себе. Зберігайте стійке положення та завжди зберігайте рівновагу.** Це дозволить Вам краще зберігати контроль над приладом у несподіваних ситуаціях.
- f) **Вдягайте придатний одяг. Не вдягайте просторий одяг та прикраси. Не підставляйте волосся, одяг та рукавиці близько до деталей приладу, що рухаються.** Просторий одяг, прикраси та довге волосся можуть попадати в деталі, що рухаються.
- g) **Якщо існує можливість монтувати пиловідсмоктувальні або пилоуловлювальні пристрої, переконайтеся, щоб вони були добре під'єднані та правильно використовувалися.** Використання пиловідсмоктувального пристрою може зменшити небезпечки, зумовлені пилом.
- 4) ПРАВИЛЬНЕ ПОВОДЖЕННЯ ТА КОРИСТУВАННЯ ЕЛЕКТРОПРИЛАДАМИ**
- a) **Не перевантажуйте прилад. Використовуйте такий прилад, що спеціально призначений для певної роботи.** З придатним приладом Ви з меншим ризиком отримаєте кращі результати роботи, якщо будете працювати в зазначеному діапазоні потужності.
- b) **Не користуйтеся приладом з пошкодженим вимикачем.** Прилад, який не можна увімкнути або вимкнути, є небезпечним і його треба відремонтувати.
- c) **Перед тим, як регулювати що-небудь на приладі, міняти приладдя або ховати прилад, витягніть штепсель із розетки та/або витягніть акумуляторну батарею.** Ці попереджувальні заходи з техніки безпеки зменшують ризик ненавмисного запуску приладу.
- d) **Зберігайте електроприлади, якими Ви саме не користуєтесь, далеко від дітей.** Не дозволяйте користуватися електроприладом особам, що не знайомі з його роботою або не читали ці вказівки. У разі застосування недосвідченими особами прилади несуть в собі небезпечку.
- e) **Старанно доглядайте за приладом. Перевірте, щоб рухомі деталі приладу бездоганно працювали та не заїдали, не були поламаними або настільки пошкодженими, щоб це могло вплинути на функціонування приладу.** Пошкоджені деталі треба відремонтувати в авторизованій майстерні, перш ніж ними можна знову користуватися. Велика кількість нещасних випадків спричиняється поганим доглядом за електроприладами.
- f) **Тримайте різальні інструменти добре нагостреними та в чистоті.** Старанно доглянуті різальні інструменти з гострим різальним краєм менше застряють та їх легше вести.

- g) Використовуйте електроприлади, приладдя до них, робочі інструменти т.і. відповідно до цих вказівок. Беріть до уваги при цьому умови роботи та специфіку виконуваної роботи.

Використання електроприладів для робіт, для яких вони не передбачені, може призводити до небезпечних ситуацій.

## 5) СЕРВІС

- a) Віддавайте свій прилад на ремонт лише кваліфікованим фахівцям та лише з використанням оригінальних запчастин. Це забезпечить безпечність приладу на довгий час.

## ВКАЗІВКИ ПО БЕЗПЕЦІ ДЛЯ ЕЛЕКТРИЧНИХ ЛОБЗИКІВ

### ЗАГАЛЬНЕ

- Перед роботою перевірте відповідність струму в мережі із струмом, позначені на інструменті (інструменти, розраховані на 230В або 240В, також можуть підключатися до мережі 220В)
  - Перевіряйте працездатність інструменту перед кожним його використанням та, у випадку виявлення несправності, віднесіть його до кваліфікованого спеціаліста; ні, в якому разі не відкривайте інструмент самотужки
  - **Не обробляйте матеріали, що містять асбест** (асбест вважається канцерогенним)
  - Цей інструмент не можна використовувати особам віком до 16 років
  - Рівень шуму при роботі може перевищувати 85 дБ(а); використовуйте навушники
  - Під час роботи з крихкими та розсіпчастими матеріалами обов'язково одягайте захисні окуляри
  - Пил від таких матеріалів, як свинцовоутримуюча фарба, деякі породи дерева, мінерали й метал, може бути шкідливим (контакт із таким пилом або його вдихання може стати причиною виникнення в оператора або осіб, що перебувають поруч, алергійних реакцій і/або респіраторних захворювань); **надягайте респіратор і працюйте з пиловиділяючим пристроєм під час увімкнення інструмента**
  - Деякі види пилу класифікуються як канцерогенні (наприклад, дубовий або буковий пил), особливо в сполученні з добавками для кондиціонування деревини; **надягайте респіратор і працюйте з пиловиділяючим пристроєм під час увімкнення інструмента**
  - Слідуйте інструкціям по роботі з матеріалами, продуцуючими пил
  - Використовуйте повністю розгорнений шнур подовжувача, який може витримувати навантаження в 16 Ампер
  - **Перед регулюванням або заміною приладдя обов'язково вийміть вилку із сітьової розетки**
- ### ПЕРЕД ВИКОРИСТАННЯМ
- Перш ніж почати розпилювання, видаліть всі перешкоди на поверхні та під лінією розпилю
  - Не допускайте пошкоджень, які можуть нанести шурупи, цвяхи і інші елементи вашому виробу; видаліть їх перед початком роботи

- **Зафіксуйте оброблювану деталь** (оброблювана деталь, зафіксована за допомогою затискних пристроїв або лещат, закріплюється краще, ніж вручну)

### ПІД ЧАС ВИКОРИСТАННЯ

- **При роботах, коли робочий інструмент може зачепити захвану електروпроводку або власний шнур живлення, тримайте електроінструмент за ізольовані рукоятки** (зачеплення проводки, що знаходиться під напругою, може заряджувати також і металеві частини електроінструмента та призводити до удару електричним струмом)
- Не дозволяйте шнуру живлення стикатися з рухомими частинами інструменту; завжди викладайте шнур за задньою частиною інструменту
- Якщо шнур пошкоджений або прорізаний при роботі, не доторкайтеся до нього і негайно витягніть його з розетки
- Ніколи не використовуйте інструмент з пошкодженим шнуром; його повинен замінити кваліфікований фахівець
- У разі електричної або механічної несправності, негайно відключите інструмент і вимкніть з розетки
- Тримайте руки подалі від пилки коли інструмент працює

### АНКСЕСУАРИ

- SKIL гарантує надійну роботу інструмента тільки при використанні відповідного приладдя
- Не використовуйте тупі, деформовані та поламани пилки

### ВИКОРИСТАННЯ ПОЗА ПРИМІЩЕННЯМ

- При роботі на дворі підключайте інструмент через запобіжник короткого замикання (FI) із максимальним пусковим струмом 30 мА та використовуйте подовжувач, призначений для зовнішніх робіт, що обладнаний захистом від бризів

### ПІСЛЯ ВИКОРИСТАННЯ

- Коли ви закінчили роботу з інструментом, вимкніть мотор і переконайтеся, що всі рухомі частини повністю зупинилися

### ПОЯСНЕННЯ ДО УМОВНИХ ПОЗНАЧОК НА ІНСТРУМЕНТІ

- ③ Перед використанням прочитайте інструкцію із застосування
- ④ Подвійна ізоляція (заземлюючий провід не потрібен)
- ⑤ Не викидайте інструмент разом зі звичайним сміттям

## ВИКОРИСТАННЯ

- Вмикання/вимкнення ⑥
- Блокування вимикача для тривалої роботи ⑦
- Заміна пилок ⑧
- ! устроміть пилку на повну глибину зубцями направленими уперед ⑨
- Розпилювання під кутом 45° ⑩
  - для досягнення найкращого результату виберіть режим "all/curve"
- ! переконайтеся, що робоча пластина рівно прилягає до корпусу інструмента (10a або 10b)
- Вибір режиму пиляння ⑪
  - 1 параметр ("all/curve") для точного різання будь-яких матеріалів, прями розпили + вигини

- 4 параметри для швидкого різання різних матеріалів, тільки прями розпили  
сірий = метал  
синій = пластмаса  
коричневий = тверда деревина  
зелений = м'яка деревина
- ! **при розпилюванні матеріалу, що легко розщеплюється, завжди вибирайте режим "all/curve"**
- Вибір швидкості розпилювання відповідно до використовуваного матеріалу 12
- ! **якщо інструмент не працює, коли механізм D встановлено у положення 1, виберіть вищу швидкість розпилювання і зменште швидкість у процесі роботи інструмента**
- Пиловловлювання 13а
- ! **не використовуйте пиლოს при різанні металу**
- Викид пилу 13b
- Підсвітка 14
- Використання інструменту
  - перед умиканням інструменту переконайтесь в тому, що передня частина опори щільно стикається з оброблюваною поверхнею
  - тримайте інструмент двома руками, таким чином ви будете мати повний контроль над інструментом весь час
- ! **під час роботи, завжди тримайте інструмент за частини захвату сірого кольору 16**
- переконайтесь, що вся поверхня опори надійно спирається на робочу поверхню
- ! **перед видаленням інструменту з оброблюваної поверхні переконайтесь, що пилка остаточно зупинилась**
- тримайте вентиляційні отвори G 2 закритими

## ПОРАДИ ПО ВИКОРИСТАННЮ

- Використовуйте відповідні пилки 16
- ! **використовуйте пилки тільки з T-подібним хвостовиком 17**
- Під час різки металів регулярно змащуйте пилку маслом
- Для прямого пропилю ведіть інструмент уздовж краю прямого дерев'яного відрізу 18
- Перед вирізанням наскрізних отворів попередньо просвердліть отвір дрилем 19
- Пропил без трісок
  - наклейте декілька шарів широкої стрічки на лінію розрізу
  - завжди ріжте по протилежному (тильному) боці матеріалу
- Див додаткову інформацію на [www.skil.com](http://www.skil.com)

## ДОГЛЯД/ОБСЛУГОВУВАННЯ

- Цей інструмент не придатний для промислового використання
- Завжди тримайте інструмент та його шнур в чистоті (особливо вентиляційні отвори G 2)
- ! **перед чисткою інструменту необхідно роз'єднати штепсельний роз'єм**
- Якщо незважаючи на ретельну технологію виготовлення і перевірки інструмент все-таки вийде

з ладу, його ремонт дозволяється виконувати лише в авторизованій сервісній майстерні для електроприладів SKIL

- надішліть **нерозібраний** інструмент разом з доказом купівлі до Вашого дилера або до найближчого центру обслуговування SKIL (адреси, а також діаграма обслуговування пристрою, подаються на сайті [www.skil.com](http://www.skil.com))

## ОХОРОНА НАВКОЛИШНЬОЇ СЕРЕДИ

- **Не викидайте електроінструмент, належності та упановану разом зі звичайним сміттям (тільки для країни ЄС)**
- відповідно до європейської директиви 2012/19/ЄС щодо утилізації старих електричних та електронних приладів, в залежності з місцевим законодавством, електроінструмент, який перебував в експлуатації повинен бути утилізований окремо, безпечним для навколишнього середовища шляхом
- малюнок 5 нагадає вам про це

## ШУМ/ВІБРАЦІЯ

- Зміряний відповідно до EN 60745 рівень тиску звуку даного інструменту 90 дБ(А) і потужність звуку 101 дБ(А) (стандартне відхилення: 3 дБ), і вібрація \* м/с<sup>2</sup> (векторна сума трьох напрямків; похибка K = 1,5 м/с<sup>2</sup>)
  - \* при різанні деревини 8,8 м/с<sup>2</sup>
  - \* при різанні металу 13,3 м/с<sup>2</sup>
- Рівень вібрації було виміряно у відповідності зі стандартизованим випробуванням, що міститься в EN 60745; дана характеристика може використовуватися для порівняння одного інструмента з іншим, а також для попередньої оцінки впливу вібрації під час застосування даного інструмента для вказаних цілей
  - при використанні інструмента в інших цілях або з іншими/несправними допоміжними пристосуваннями рівень впливу вібрації може значно **підвищуватися**
  - у періоди, коли інструмент вимкнений або функціонує без фактичного виконання роботи, рівень впливу вібрації може значно **знижуватися**
- ! **захщайте себе від впливу вібрації, підтримуючи інструмент і його допоміжні пристосування в справному стані, підтримуючи руки в теплі, а також правильно організовуючи свій робочий процес**

GR

Σέγα

4370

## ΕΙΣΑΓΩΓΗ

- Αυτό το εργαλείο έχει σχεδιαστεί για τη δημιουργία εγκοπών και οπών σε ξύλο, πλαστικά, μέταλλα, κεραμικές πλάκες και καουτσούκ, και είναι κατάλληλο για ευθείες και κυρτές κοπές σε 0° ή 45°

- Το φως αυτού του ηλεκτρικού εργαλείου προορίζεται για τον απευθείας φωτισμό της περιοχής εργασίας του ηλεκτρικού εργαλείου και δεν είναι κατάλληλο για φωτισμό χώρου στο σπίτι
- Αυτό το εργαλείο δεν προορίζεται για επαγγελματική χρήση
- Διαβάστε και φυλάξτε αυτές τις οδηγίες χρήσεως ③

## ΤΕΧΝΙΚΑ ΧΑΡΑΚΤΗΡΙΣΤΙΚΑ ①

### ΜΕΡΗ ΤΟΥ ΕΡΓΑΛΕΙΟΥ ②

- A Διακόπτης εκκίνησης/στάσης
- B Κουμπί ασφάλιστος του διακόπτη
- C Μοχλός επιλογής λειτουργίας πριονίσματος
- D Τροχίσκος ρύθμισης της ταχύτητας κοπής
- E Διακόπτης φυσητήρας σκόνης
- F Φωτισμός
- G Σχισμές αερισμού

## ΑΣΦΑΛΕΙΑ

### ΓΕΝΙΚΕΣ ΥΠΟΔΕΙΞΕΙΣ ΑΣΦΑΛΕΙΑΣ

**▲ ΠΡΟΕΙΔΟΠΟΙΗΣΗ! Διαβάστε όλες τις προειδοποιητικές υποδείξεις.** Αμέλειες κατά την τήρηση των προειδοποιητικών υποδείξεων μπορεί να προκαλέσουν ηλεκτροπληξία, κίνδυνο πυρκαγιάς ή/και σοβαρούς τραυματισμούς. **Φυλάξτε όλες τις προειδοποιητικές υποδείξεις και οδηγίες για κάθε μελλοντική χρήση.** Ο ορισμός “ηλεκτρικό εργαλείο” που χρησιμοποιείται στις προειδοποιητικές υποδείξεις αναφέρεται σε ηλεκτρικά εργαλεία που τροφοδοτούνται από το ηλεκτρικό δίκτυο (με ηλεκτρικό καλώδιο) καθώς και σε ηλεκτρικά εργαλεία που τροφοδοτούνται από μπαταρία (χωρίς ηλεκτρικό καλώδιο).

### 1) ΑΣΦΑΛΕΙΑ ΣΤΟ ΧΩΡΟ ΕΡΓΑΣΙΑΣ

- a) **Διατηρείτε το χώρο που εργάζεσθε καθαρό και καλά φωτισμένο.** Αταξία στο χώρο που εργάζεσθε ή μη φωτισμένες περιοχές εργασίας μπορεί να οδηγήσουν σε ατυχήματα.
- b) **Μην εργάζεσθε με το ηλεκτρικό εργαλείο σε περιβάλλον που υπάρχει κίνδυνος έκρηξης, στο οποίο υπάρχουν εύφλεκτα υγρά, αέρια ή σκόνη.** Τα ηλεκτρικά εργαλεία μπορεί να δημιουργήσουν σπινθηρισμό ο οποίος μπορεί να αναφλέξει τη σκόνη ή τις αναθυμιάσεις.
- c) **Όταν χρησιμοποιείτε το ηλεκτρικό εργαλείο κρατάτε τα παιδιά κι άλλα τυχόν πρόσωπα μακριά από το χώρο που εργάζεσθε.** Σε περίπτωση που άλλα άτομα αποσπάσουν την προσοχή σας μπορεί να χάσετε τον έλεγχο του μηχανήματος.

### 2) ΗΛΕΚΤΡΙΚΗ ΑΣΦΑΛΕΙΑ

- a) **Το φως του καλωδίου του ηλεκτρικού εργαλείου πρέπει να ταιριάζει στην αντίστοιχη πρίζα. Δεν επιτρέπεται με κανένα τρόπο η μετασκευή του φως. Μη χρησιμοποιείτε προσαρμωστικά φως σε συνδυασμό με ηλεκτρικά εργαλεία συνδεδεμένα με τη γη (γειωμένα).** Αθικτα φως και κατάλληλες πρίζες μειώνουν τον κίνδυνο ηλεκτροπληξίας.
- b) **Αποφεύγετε την επαφή του σώματος σας με γειωμένες επιφάνειες όπως σωλήνες, θερμοκρασίες**

**σώματα (καλοριφέρ), κουζίνες και ψυγεία.** Όταν το σώμα σας είναι γειωμένο αυξάνεται ο κίνδυνος ηλεκτροπληξίας.

- c) **Μην εκθέσετε το ηλεκτρικό εργαλείο στη βροχή ή την υγρασία.** Η διείσδυση νερού στο ηλεκτρικό εργαλείο αυξάνει τον κίνδυνο ηλεκτροπληξίας.
  - d) **Μη χρησιμοποιείτε το καλώδιο για να μεταφέρετε ή ν'αναρτήσετε το ηλεκτρικό εργαλείο ή για να βγάλετε το φως από την πρίζα. Κρατάτε το καλώδιο μακριά από υψηλές θερμοκρασίες, λάδια, κοφτερές ακμές η κινούμενα εξαρτήματα.** Τυχόν χαλασμένα ή μπερδεμένα καλώδια αυξάνουν τον κίνδυνο ηλεκτροπληξίας.
  - e) **Όταν εργάζεσθε με το ηλεκτρικό εργαλείο στο ύπαιθρο χρησιμοποιείτε πάντοτε καλώδια επιμήκυνσης (μπαλαντάζες) που έχουν εγκριθεί για χρήση σε εξωτερικούς χώρους.** Η χρήση καλωδίων επιμήκυνσης εγκριμένων για εργασία σε εξωτερικούς χώρους μειώνει τον κίνδυνο ηλεκτροπληξίας.
  - f) **Όταν η χρήση του ηλεκτρικού εργαλείου σε υγρό περιβάλλον είναι αναπόφευκτη, τότε χρησιμοποιήστε έναν προστατευτικό διακόπτη διαρροής.** Η χρήση ενός προστατευτικού διακόπτη διαρροής ελαττώνει τον κίνδυνο ηλεκτροπληξίας.
- ### 3) ΑΣΦΑΛΕΙΑ ΠΡΟΣΩΠΩΝ
- a) **Να είσθε πάντοτε προσεκτικός/προσεκτική, να δίνετε προσοχή στην εργασία που κάνετε και να χειρίζεσθε το ηλεκτρικό εργαλείο με περίσκεψη. Μην κάνετε χρήση του ηλεκτρικού εργαλείου όταν είσθε κουρασμένος/κουρασμένη ή όταν βρισκόσθε υπό την επήραση ναρκωτικών, οινοπνεύματος ή φαρμάκων.** Μια στιγμιαία απροσεξία κατά το χειρισμό του ηλεκτρικού εργαλείου μπορεί να οδηγήσει σε σοβαρούς τραυματισμούς.
  - b) **Φοράτε προστατευτικά ενδύματα και πάντοτε προστατευτικά γυαλιά.** Όταν φοράτε ενδύματα ασφαλείας, ανάλογα με το υπό χρήση ηλεκτρικό εργαλείο, όπως προσωπίδα προστασίας από σκόνη, αντιολισθητικά παπούτσια ασφαλείας, κράνη ή ωτασπίδες, μειώνεται ο κίνδυνος τραυματισμών.
  - c) **Αποφεύγετε την αθέλητη εκκίνηση. Βεβαιωθείτε ότι το ηλεκτρικό εργαλείο έχει αποσυνχτεί πριν το συνδέσετε με το ηλεκτρικό δίκτυο ή/και με την μπαταρία καθώς και πριν το παραλάβετε ή το μεταφέρετε.** Όταν μεταφέρετε το ηλεκτρικό εργαλείο έχοντας το δάχτυλό σας στο διακόπτη ή όταν συνδέσετε το μηχάνημα με την πηγή ρεύματος όταν αυτό είναι ακόμη συζευγμένο, τότε δημιουργείται κίνδυνος τραυματισμών.
  - d) **Αφαιρείτε από τα ηλεκτρικά εργαλεία πριν τα θέσετε σε λειτουργία τυχόν συναρμολογημένα χρησιμοποιήσιμα εργαλεία ή κλειδιά.** Ένα εργαλείο ή κλειδί συναρμολογημένο στο περιστρεφόμενο εξάρτημα ενός ηλεκτρικού εργαλείου μπορεί να οδηγήσει σε τραυματισμούς.
  - e) **Μην υπερκτιμάτε τον εαυτό σας. Φροντίζετε για την ασφαλή στήριξη του σώματος σας και διατηρείτε πάντοτε την ισορροπία σας.** Αυτό σας επιτρέπει τον καλύτερο έλεγχο το ηλεκτρικού εργαλείου σε περιπτώσεις απροσδόκητων καταστάσεων.

- f) **Φοράτε κατάλληλη ενδυμασία εργασίας. Μη φοράτε φαρδιά ενδύματα ή κοσμήματα. Κρατάτε τα μαλλιά σας, τα ενδύματα σας και τα γάντια σας μακριά από τα κινούμενα εξαρτήματα.** Χαλαρή ενδυμασία, κοσμήματα και μακριά μαλλιά μπορεί να εμπλακούν στα κινούμενα εξαρτήματα.
- g) **Αν υπάρχει η δυνατότητα συναρμολόγησης διατάξεων αναρρόφησης ή συλλογής σκόνης, βεβαιωθείτε αν οι διατάξεις αυτές είναι συνδεδεμένες καθώς κι αν χρησιμοποιούνται σωστά.** Η χρήση μιας αναρρόφησης σκόνης μπορεί να ελαττώσει τον κίνδυνο που προκαλείται από τη σκόνη.
- 4) **ΧΡΗΣΗ ΚΙ ΕΠΙΜΕΛΗΣ ΧΕΙΡΙΣΜΟΣ ΤΩΝ ΗΛΕΚΤΡΙΚΩΝ ΕΡΓΑΛΕΙΩΝ**
- a) **Μην υπερφορτώνετε το ηλεκτρικό εργαλείο. Χρησιμοποιείτε για την εκάστοτε εργασία σας το ηλεκτρικό εργαλείο που προορίζεται γι' αυτήν.** Με το κατάλληλο ηλεκτρικό εργαλείο εργάζεστε καλύτερα και ασφαλέστερα στην αναφερόμενη περιοχή ισχύος.
- b) **Μη χρησιμοποιήσετε ποτέ ένα ηλεκτρικό εργαλείο του οποίου ο διακόπτης ON/OFF είναι χαλασμένος.** Ένα ηλεκτρικό εργαλείο το οποίο δεν μπορεί να τεθεί πλέον σε ή εκτός λειτουργίας είναι επικίνδυνο και πρέπει να επισκευαστεί.
- c) **Βγάzte το φως από την πρίζα και/ή αφαιρέστε την μπαταρία πριν διεξάγετε στο εργαλείο μια οποιαδήποτε εργασία ρύθμισης, πριν αλλάξετε ένα εξάρτημα ή όταν πρόκειται να διαφυλάξετε/να αποθηκεύσετε το εργαλείο.** Αυτά τα προληπτικά μέτρα ασφαλείας μειώνουν τον κίνδυνο από τυχόν αθέλητη εκκίνηση του ηλεκτρικού εργαλείου.
- d) **Διαφυλάγετε τα ηλεκτρικά εργαλεία που δε χρησιμοποιείτε μακριά από παιδιά. Μη αφήνετε άτομα που δεν είναι εξοικειωμένα με το ηλεκτρικό εργαλείο ή δεν έχουν διαβάσει αυτές τις οδηγίες χρήσης να το χρησιμοποιήσουν.** Τα ηλεκτρικά εργαλεία είναι επικίνδυνα όταν χρησιμοποιούνται από άπειρα πρόσωπα.
- e) **Να περιποιήστε προσεκτικά το ηλεκτρικό σας εργαλείο και να ελέγχετε, αν τα κινούμενα τμήματα του λειτουργούν άψογα και δεν μπλοκάρουν, ή μήπως έχουν χαλάσει ή σπάσει εξαρτήματα, τα οποία επηρεάζουν έτσι αρνητικά τον τρόπο λειτουργίας του ηλεκτρικού εργαλείου. Δώστε τυχόν χαλασμένα εξαρτήματα του ηλεκτρικού εργαλείου για επισκευή πριν το χρησιμοποιήσετε πάλι.** Η ανεπαρκής συντήρηση των ηλεκτρικών εργαλείων αποτελεί αιτία πολλών ατυχημάτων.
- f) **Διατηρείτε τα κοπτικά εργαλεία κοφτερά και καθαρά.** Τα κοπτικά εργαλεία που συντηρούνται με προσοχή μπορούν να οδηγηθούν εύκολα και να ελεγχθούν καλύτερα.
- g) **Χρησιμοποιείτε τα ηλεκτρικά εργαλεία, τα εξαρτήματα, τα χρησιμοποιήσιμα εργαλεία κτλ. σύμφωνα με τις παρούσες οδηγίες καθώς. Λαμβάνετε ταυτόχρονα υπόψη σας τις συνθήκες εργασίας και την υπό εκτέλεση εργασία.** Η χρήση του ηλεκτρικού εργαλείου για άλλες εκτός από τις προβλεπόμενες εργασίες μπορεί να δημιουργήσει επικίνδυνες καταστάσεις.

## 5) SERVICE

- a) **Δίνετε το ηλεκτρικό σας εργαλείο για επισκευή από άριστα ειδικευμένο προσωπικό, μόνο με γνήσια ανταλλακτικά.** Ετσι εξασφαλίζεται η διατήρηση της ασφάλειας του ηλεκτρικού εργαλείου.

## ΥΠΟΔΕΙΞΙΣ ΑΣΦΑΛΕΙΑΣ ΓΙΑ ΣΕΓΑ

### ΓΕΝΙΚΑ

- Βεβαιωθείτε ότι η τάση του παρεχόμενου ρεύματος είναι ίδια με την τάση που υποδεικνύεται στην πινακίδα δεδομένων του εργαλείου (εργαλεία που φέρουν την ένδειξη 230V ή 240V μπορούν να συνδεθούν επίσης σε πρίζα 220V)
- Ελέγξτε τη λειτουργία του εργαλείου πριν από κάθε χρήση, και σε περίπτωση βλάβης, πάτε το για επισκευή σε κάποιο εξειδικευμένο άτομο - ποτέ μην ανοίγετε μόνοι σας το εργαλείο
- **Μην κατεργάζεστε υλικά που περιέχουν αμιάντο** (το αμιάντο θεωρείται σαν καρκινογόνο υλικό)
- Αυτό το εργαλείο δεν πρέπει να χρησιμοποιείται από άτομα κάτω των 16 ετών
- Η ηχητική στάθμη κατά την εργασία ενδέχεται να ξεπεράσει τα 85 dB(A) - γι' αυτό θα πρέπει να φοράτε προστασία ακοής
- Φοράτε προστατευτικά γυαλιά όταν εργάζεστε με υλικά που παράγουν γρέζα
- Η σκόνη από υλικά όπως ποιογίες που περιέχουν μόλυβδο, ορισμένα είδη ξύλου, ανόργανα στοιχεία και μέταλλα μπορεί να είναι επιβλαβής (η επαφή ή η εισπνοή της σκόνης μπορεί να προκαλέσει αλλεργικές αντιδράσεις ή/και αναπνευστικές ασθένειες στον χειριστή ή σε άτομα που παρίστανται) - **να φοράτε προσωπίδα προστασίας από τη σκόνη και να εργάζεστε με συσκευή αφαίρεσης σκόνης όταν είναι δυνατό**
- Ορισμένα είδη σκόνης ταξινομούνται ως καρκινογόνα (όπως η σκόνη από τη δρυ ή την οξιά) ιδιαίτερα σε συνδυασμό με πρόσθετα συντήρησης ξύλου - **να φοράτε προσωπίδα προστασίας από τη σκόνη και να εργάζεστε με συσκευή αφαίρεσης σκόνης όταν είναι δυνατό**
- Ακολουθήστε τις σχετικές με σκόνη εθνικές διατάξεις για τα υλικά που θέλετε να εργαστείτε
- Χρησιμοποιείτε ασφαλείς, τελειως ξετυλιγμένες προεκτάσεις καλωδίου με χωρητικότητα 16 Amps
- **Πάντα να αποσυνδέεται την πρίζα από το ηλεκτρικό δίκτυο πριν κάνετε κάποια ρύθμιση ή αλλάξετε εξάρτημα**

### ΠΡΙΝ ΑΠΟ ΤΗ ΧΡΗΣΗ

- Αφαιρέστε όλα τα εμπόδια από την γραμμή κοπής, πάνω και κάτω, πριν ξεκινήσετε την κοπή
- Προφυλάξτε το εργαλείο από τυχόν φθορές από ξένα σώματα (βίδες, καρφιά ή άλλα) που ίσως είναι μέσα στο κομμάτι που θα δουλέψετε - αφαιρέστε τα πριν αρχίσετε την εργασία
- **Στερεώστε το κομμάτι εργασίας** (το κομμάτι εργασίας συγκρατείται καλύτερα με σφιγκτήρες ή σε μέγερη παρά με το χέρι)

### ΚΑΤΑ ΤΗ ΧΡΗΣΗ

- **Να κρατάτε το ηλεκτρικό εργαλείο από τις μονωμένες επιφάνειες συγκράτησης όταν υπάρχει κίνδυνος το κοπτικό εξάρτημα να έρθει**

**σε επαφή με μη ορατούς ηλεκτροφόρους αγωγούς ή το ίδιο το καλώδιό του** (η επαφή με έναν ηλεκτροφόρο αγωγό μπορεί να θέσει τα μεταλλικά μέρη του ηλεκτρικού εργαλείου επίσης υπό τάση και προκαλέσει έτσι ηλεκτροπληξία)

- Να κρατάτε πάντα το καλώδιο μακριά από τα κινούμενα μέρη του εργαλείου σας - κρατάτε το καλώδιο προς τα πίσω, μακριά από το εργαλείο
- Σε περίπτωση που υποστεί βλάβη ή κοπεί το καλώδιο κατά την εργασία, μην αγγίζετε το καλώδιο, αλλά αποσυνδέστε αμέσως το φις από την πρίζα
- Ποτέ μη χρησιμοποιείτε το εργαλείο όταν έχει υποστεί βλάβη το καλώδιο - το καλώδιο θα πρέπει να αντικατασταθεί από έναν εξειδικευμένο τεχνίτη
- Σε περίπτωση ηλεκτρικής ή μηχανικής δυσλειτουργίας, σταματήστε αμέσως το εργαλείο και βγάλτε το από την πρίζα
- Κρατήστε τα χέρια μακριά από τον δίσκο κοπής κατά τη λειτουργία του

#### ΕΞΑΡΤΗΜΑΤΑ

- Η SKIL εγγυάται την τέλεια λειτουργία του εργαλείου μόνο όταν χρησιμοποιούνται αυθεντικά εξαρτήματα
- Μη χρησιμοποιείτε ραγισμένες, παραμορφωμένες ή στομαωμένες πριονολεπίδες

#### ΥΠΑΙΘΡΙΑ ΧΡΗΣΗ

- Όταν χρησιμοποιείτε το εργαλείο στο υπαίθρο, συνδέστε το χρησιμοποιώντας έναν διακόπτη ασφαλείας με μέγιστο όριο ενεργοποίησης 30 mA, και χρησιμοποιείτε μόνο καλώδιο προέκτασης ειδικό για υπαίθρια χρήση και εξοπλισμένο με αδιάβροχη πρίζα σύνδεσης

#### ΜΕΤΑ ΤΗ ΧΡΗΣΗ

- Όταν τελειώνετε την δουλειά σας και ακουμπάτε το εργαλείο στο πλάι, κλείστε τον διακόπτη και βεβαιωθείτε ότι όλα τα κινούμενα μέρη του έχουν σταματήσει εντελώς

#### ΕΠΕΞΗΓΗΣΗ ΤΩΝ ΣΥΜΒΟΛΩΝ ΣΤΟ ΕΡΓΑΛΕΙΟ

- ③ Διαβάστε το εγχειρίδιο οδηγιών πριν από τη χρήση
- ④ Διπλή μόνωση (δεν απαιτείται καλώδιο γείωσης)
- ⑤ Μην πετάτε το εργαλείο στον κάδο οικιακών απορριμμάτων

#### ΧΡΗΣΗ

- Εκκίνηση/Σταση ⑥
- Ασφάλιση του διακόπτη για συνεχή λειτουργία ⑦
- Αλλαγή πριονολεπίδων ⑧
- ! **τοποθετήστε την λεπίδα μέσα με τους οδόντες προς τα εμπρός** ⑨
- Κοπή σε 45° ⑩
  - για τα καλύτερα αποτελέσματα, επιλέξτε τον τρόπο λειτουργίας “all/curve”
  - ! **βεβαιωθείτε ότι η πλάκα βάσης ακουμπά επίπεδα στο περιβλήμα του εργαλείου** (10a ή 10b)
- Επιλογή του τρόπου λειτουργίας ⑪
  - 1 ρύθμιση (“all/curve”) για πριόνισμα ακριβείας σε όλα τα υλικά, ευθεία + κυρτά
  - 4 ρυθμίσεις για γρήγορο πριόνισμα σε διάφορα υλικά, μόνο ευθεία
    - γκρί = μέταλλο
    - κυανό = πλαστικό
    - καφέ = σκληρό ξύλο

πράσινο = μαλακό ξύλο

! **επιλέγεται πάντοτε “all/curve” όταν κόβετε υλικά στα οποία ενδέχεται να δημιουργηθούν ακίδες**

- Ρύθμιση της ταχύτητας κοπής ανάλογα με το υλικό που χρησιμοποιείται ⑫
- ! **σε περίπτωση που το εργαλείο δεν κινείται όταν ο τροχίσκος D βρίσκεται στη θέση 1, επιλέξτε μια υψηλότερη ταχύτητα κοπής και μειώστε την ταχύτητα κοπής μόλις αρχίσει να κινείται το εργαλείο**
- Απορρόφηση σκόνης ⑬a
- ! **μη χρησιμοποιείτε την ηλεκτρική σκούπα όταν κόβετε μέταλλα**
- Φυστήρας σκόνης ⑬b
- Φωτισμός ⑭
- Χειρισμός του εργαλείου
  - πριν ενεργοποιήσετε το εργαλείο, βεβαιωθείτε ότι το μπροστινό άκρο της πλάκας βάσης ακουμπά επίπεδα στο κατεργαζόμενο αντικείμενο
  - κρατάτε καλά το εργαλείο, με τα δύο χέρια, ούτως ώστε να έχετε ανά πάσα στιγμή τον πλήρη έλεγχο του εργαλείου
  - ! **ενώ εργάζεστε, να κρατάτε πάντα το εργαλείο από τη/τις λαβή/ές με γκρι χρώμα** ⑮
  - βεβαιωθείτε ότι ολοκληρή η επιφάνεια της πλάκας βάσης στηρίζεται καλά στο κατεργαζόμενο αντικείμενο
  - ! **βεβαιωθείτε ότι η λεπίδα έχει σταματήσει τελείως πριν σηκώσετε το εργαλείο από το κατεργαζόμενο αντικείμενο**
  - κρατάτε τις σχισμές αερισμού G ② ακάλυπτες

#### ΟΔΗΓΙΕΣ ΕΦΑΡΜΟΓΗΣ

- Χρησιμοποιείτε τις κατάλληλες πριονολεπίδες ⑯
- ! **χρησιμοποιείτε μόνο πριονολεπίδες σχήματος T** ⑰
- Όταν κόβετε μέταλλα, λιπαίνετε τακτικά την πριονολεπίδα με λάδι
- Για μια ευθεία κοπή ακριβείας, κατευθύνετε το εργαλείο με την πλάκα βάσης κατά μήκος της άκρης μιας ευθείας σανίδας ⑱
- Τρυπήστε πρώτα μια τρύπα πριν κάνετε εγκοπές ⑲
- Κοπή χωρίς ακίδες
  - καλύψτε τη γραμμή κοπής με περισσότερα στρώματα φαρδιάς κολλητικής ταινίας πριν κάνετε την κοπή
  - κρατάτε πάντοτε την καλή πλευρά του κατεργαζόμενου αντικειμένου προς τα κάτω
- Για περισσότερες συμβουλές δείτε [www.skil.com](http://www.skil.com)

#### ΣΥΝΤΗΡΗΣΗ / ΣΕΡΒΙΣ

- Αυτό το εργαλείο δεν προορίζεται για επαγγελματική χρήση
- Κρατάτε πάντοτε το εργαλείο και το καλώδιο καθαρά (και ιδιαίτερα τις θυρίδες αερισμού G ②)
- ! **αφαιρέστε την πρίζα πριν το καθαρίσετε**
- Αν παρ' όλες τις επιμελημένες μεθόδους κατασκευής και ελέγχου το εργαλείο σταματήσει κάποτε να λειτουργεί, τότε η επισκευή του πρέπει να ανατεθεί σ' ένα

εξουσιοδοτημένο συνεργείο για ηλεκτρικά εργαλεία της SKIL

- στείλτε το εργαλείο **χωρίς να το αποσυρμολογήσετε** μαζί με την απόδειξη αγοράς στο κατάστημα από το οποίο το αγοράσατε ή στον πλησιέστερο σταθμό τεχνικής εξυπηρέτησης της SKIL (θα βρείτε τις διευθύνσεις και το διάγραμμα συντήρησης του εργαλείου στην ιστοσελίδα [www.skil.com](http://www.skil.com))

## ΠΕΡΙΒΑΛΛΟΝ

- **Μην πετάτε τα ηλεκτρικά εργαλεία, εξαρτημάτα και συσκευασία στον κάδο οικιακών απορριμμάτων** (μόνο για τις χώρες της ΕΕ)
  - σύμφωνα με την ευρωπαϊκή οδηγία 2012/19/ΕΚ περί ηλεκτρικών και ηλεκτρονικών συσκευών και την ενσωμάτωσή της στο εθνικό δίκαιο, τα ηλεκτρικά εργαλεία πρέπει να συλλέγονται ξεχωριστά και να επιστρέφονται για ανακύκλωση με τρόπο φιλικό προς το περιβάλλον
  - το σύμβολο ⑤ θα σας το θυμήσει αυτό όταν έλθει η ώρα να πετάξετε τις

## ΘΟΥΒΟ/ΚΡΑΔΑΣΜΟΥΣ

- Μετρημένη σύμφωνα με EN 60745 η στάθμη ακουστικής πίεσης αυτού του εργαλείου ανέρχεται σε 90 dB(A) και η στάθμη ηχητικής ισχύος σε 101 dB(A) (κοινή απόκλιση: 3 dB), και ο κραδασμός σε \* m/s<sup>2</sup> (άθροισμα ανυσμάτων τριών κατευθύνσεων - ανασφάλεια K = 1,5 m/s<sup>2</sup>)
    - \* όταν κόβετε ξύλο 8,8 m/s<sup>2</sup>
    - \* όταν κόβετε μέταλλα 13,3 m/s<sup>2</sup>
  - Το επίπεδο παραγωγής κραδασμών έχει μετρηθεί σύμφωνα με μια τυποποιημένη δοκιμή που αναφέρεται στο πρότυπο EN 60745 - μπορεί να χρησιμοποιηθεί για τη σύγκριση ενός εργαλείου με ένα άλλο, καθώς και ως προκαταρκτική αξιολόγηση της έκθεσης στους κραδασμούς όταν το εργαλείο χρησιμοποιείται για τις εφαρμογές που αναφέρονται
    - η χρήση του εργαλείου για διαφορετικές εφαρμογές ή με διαφορετικά ή κακοσυντηρημένα εξαρτήματα μπορεί να αυξήσει σημαντικά το επίπεδο έκθεσης
    - όταν το εργαλείο είναι απενεργοποιημένο ή δουλεύει αλλά δεν εκτελεί την εργασία, το επίπεδο έκθεσης μπορεί να μειωθεί σημαντικά
- ! προστατευτείτε από τις επιδράσεις των κραδασμών συντηρώντας σωστά το εργαλείο και τα εξαρτήματά του, διατηρώντας τα χέρια σας ζεστά και οργανώνοντας τον τρόπο εργασίας σας**

RO

Ferăstrău vertical

4370

## INTRODUCERE

- Această sculă este destinată pentru a face perforări și decupări în lemn, material plastic, metal, plăci ceramice și cauciuc, și este corespunzător pentru a face tăieturi în linie dreaptă și curbă la 0° sau 45°

- Lampa acestei scule electrice este destinată iluminării directe a zonei de lucru a sculei electrice și nu este adecvată pentru iluminarea încăperilor din gospodărie
- Această sculă nu este destinată utilizării profesionale
- Citiți și păstrați acest manual de instrucțiuni ③

## DATE TEHNICE ①

### ELEMENTELE SCULEI ②

- A Întrerupător deschis/închis
- B Buton pentru închiderea întrerupătorului
- C Manetă pentru selectarea modului de tăiere
- D Rotiți pentru ajustarea vitezei de tăiere
- E Comutator pentru suflarea prafului
- F Lampă
- G Fantele de ventilație

## SIGURANȚA

### INSTRUCȚIUNI DE SIGURANȚĂ GENERALE

**⚠ ATENȚIE! Citiți toate indicațiile de avertizare și instrucțiunile.** Nerespectarea indicațiilor de avertizare și a instrucțiunilor poate provoca electrocutare, incendii și/sau răni grave. **Păstrați toate indicațiile de avertizare și instrucțiunile în vederea utilizărilor viitoare.** Termenul de "sculă electrică" folosit în indicațiile de avertizare se referă la sculele electrice alimentate de la rețea (cu cablu de alimentare) și la sculele electrice cu acumulator (fără cablu de alimentare).

#### 1) SIGURANȚA LA LOCUL DE MUNCĂ

- Păstrați-vă locul de muncă curat și bine iluminat.** Dezordinea la locul de muncă sau existența unor sectoare de lucru neiluminate poate duce la accidente.
- Nu folosiți mașina în medii cu pericol de explozie, acolo unde există lichide, gaze sau pulberi inflamabile.** Sculele electrice pot produce scântei care să aprindă pulberile sau vaporii.
- Nu permiteți accesul copiilor și al altor persoane în timpul lucrului cu mașina.** Dacă vi se distrage atenția puteți pierde controlul asupra mașinii.

#### 2) SECURITATE ELECTRICĂ

- Ștecherul de racordare a mașinii trebuie să se potrivească cu priza de alimentare. Nu este permisă în nici-un caz modificarea ștecherului. Nu folosiți adaptoare pentru ștechere la mașinile legate la pământ.** Ștecherele nemodificate și prizele de curent adecvate acestora reduc riscul de electrocutare.
- Evitați contactul corporal cu suprafețe legate la pământ ca țevi, radiatoare, plite electrice și frigider.** Există un risc crescut de electrocutare atunci când corpul dv. este și el legat la pământ.
- Nu lăsați mașina afară în ploaie sau în mediu umed.** Riscul de electrocutare crește atunci când într-o sculă electrică pătrunde apă.
- Nu trageți niciodată mașina de cordonul de alimentare pentru a o transporta, a o atârna sau a scoate ștecherul din priza de curent. Feriți cordonul de alimentare de căldură, ulei, muchi ascuțiți sau de subsansamble aflate în mișcare.** Un cordon de

- alimentare deteriorat sau înfășurat mărește riscul de electrocutare.
- e) **Atunci când lucrați cu scula electrică în aer liber, folosiți numai cordonae prelungitoare autorizate pentru exterior.** Întrebuințarea unui cordon prelungitor adecvat utilizării în aer liber reduce riscul de electrocutare.
- f) **Atunci când nu poate fi evitată utilizarea sculei electrice în mediu umed, folosiți un întrerupător de circuit cu împământare.** Folosirea unui întrerupător de circuit cu împământare reduce riscul de electrocutare.
- 3) SECURITATEA PERSOANELOR**
- a) **Fiiți vigilenți, fiiți atenți la ceea ce faceți și procedați rațional atunci când lucrați cu scula electrică. Nu folosiți mașina dacă sunteți obosiți sau vă aflați sub influența drogurilor, alcoolului sau a medicamentelor.** Un moment de neatenție în timpul lucrului cu mașina poate duce la răni grave.
- b) **Purtați echipament de protecție personală și întotdeauna ochelari de protecție.** Folosirea echipamentelor de protecție a persoanei ca mască de protecție împotriva prafului, încălțăminte antiderapantă, cască de protecție sau aparat de protecție auditivă, în funcție de tipul și domeniul de folosire al sculei electrice, reduce riscul rănilor.
- c) **Evitați o punere în funcțiune involuntară. Înainte de a introduce ștecherul în priză și/sau de a introduce acumulatorul în scula electrică, de a o ridica sau de a o transporta, asigurați-vă că aceasta este oprită.** Dacă atunci când transportați scula electrică țineți degetul pe întrerupător sau dacă porniți scula electrică înainte de a o racorda la rețeaua de curent, puteți provoca accidente.
- d) **Înainte de a pune mașina în funcțiune scoateți afară cheile reglabile și fixe.** O cheie reglabilă sau fixă, aflată într-o componentă de mașină care se rotește, poate provoca răni.
- e) **Nu vă supraapreciați. Asigurați-vă o poziție stabilă și păstrați-vă întotdeauna echilibrul.** Astfel veți putea controla mai bine mașina în situații neașteptate.
- f) **Purtați îmbrăcăminte de lucru adecvată. Nu purtați haine largi sau podoabe. Țineți părul, îmbrăcămintea și mânușile departe de componente aflate în mișcare.** Îmbrăcămintea largă, podoabele și părul lung pot fi prinse de piesele aflate în mișcare.
- g) **Dacă există posibilitatea montării de echipamente și instalații de aspirare și colectare a prafului, asigurați-vă că acestea sunt conectate și folosite corect.** Folosirea unei instalații de aspirare a prafului poate duce la reducerea poluării cu praf.
- 4) MANEVRAȚI ȘI FOLOSIȚI CU GRIJĂ SCULELE ELECTRICE**
- a) **Nu suprasolicitați mașina. Folosiți scula electrică destinată executării lucrării dumneavoastră.** Cu scula electrică potrivită lucrați mai bine și mai sigur în domeniul de putere specificat.
- b) **Nu folosiți scula electrică dacă are întrerupătorul defect.** O sculă electrică, care nu mai poate fi pornită sau oprită este periculoasă și trebuie reparată.
- c) **Scoateți ștecherul afară din priză și/sau îndepărtați acumulatorul, înainte de a executa reglaje, a schimba accesoriile sau de a pune mașina la o parte.**

- Această măsură preventivă reduce riscul unei porniri involuntare a mașinii.
- d) **În caz de nefolosire păstrați mașinile la loc inaccesibil copiilor. Nu permiteți persoanelor care nu sunt familiarizate cu mașina sau care n-au citit prezentele instrucțiuni, să folosească mașina.** Sculele electrice sunt periculoase atunci când sunt folosite de persoane fără experiență.
- e) **Întrețineți-vă cu grijă mașina. Controlați dacă componentele mobile funcționează corect și dacă nu se blochează, dacă nu există piese defecte sau deteriorate, care să afecteze funcționarea mașinii.** Înainte de a repune în funcțiune mașina, duceți-o la un atelier de asistență service pentru repararea sau înlocuirea pieselor deteriorate. Multe accidente s-au datorat întreținerii defectuoase a sculelor electrice.
- f) **Păstrați accesoriile bine ascuțite și curate.** Accesoriile atent întreținute, cu muchii tăietoare bine ascuțite se blochează mai greu și pot fi conduse mai ușor.
- g) **Folosiți sculele electrice, accesoriile, dispozitivele de lucru etc. conform prezentelor instrucțiuni. Țineți seama de condițiile de lucru și de lucrarea care trebuie executată.** Întrebuințarea unor scule electrice destinate altor utilizări decât cele preconizate, poate duce la situații periculoase.
- 5) SERVICE**
- a) **Permiteți repararea mașinii dumneavoastră numai de către un specialist calificat și numai cu piese de schimb originale.** În acest mod este garantată menținerea siguranței de exploatare a mașinii.

## INSTRUCȚIUNI DE SIGURANȚĂ PENTRU FERĂSTRĂIE VERTICALE

### GENERALITĂȚI

- Verificați întotdeauna dacă tensiunea de alimentare este aceeași cu tensiunea indicată pe plăcuța de identificare a sculei (sculele cu o specificație de 230V și 240V pot fi conectate și la alimentare de 220V)
- Înaintea fiecărei utilizări, verificați felul cum funcționează dispozitivul și în cazul unui defect, dați-l imediat să fie reparat de o persoană autorizată; niciodată să nu demontați dvs dispozitivul
- **Nu preluați materiale care conțin azbest** (azbestul este considerat a fi cancerigen)
- Această sculă nu trebuie să fie folosit de persoane sub 16 ani
- Când este utilizat, nivelul de zgomot poate depăși 85 dB(A); este necesar să purtați echipament de protecție pentru urechi
- Este necesar să purtați ochelari de protecție când lucrați cu materiale ce produc așchii
- Praful rezultat din materiale precum vopseaua care conține plumb, unele specii de lemn, minerale și metale poate fi periculos (contactul cu praful sau inhalarea acestuia poate provoca reacții alergice și/sau afecțiuni respiratorii operatorului sau persoanelor care stau în apropiere); **purtați o mască de praf și lucrați cu un dispozitiv de extragere a prafului când poate fi conectat**
- Anumite tipuri de praf sunt clasificate ca fiind cancerigene (cum ar fi praful de stejar și fag) în special în



combinație cu aditivi pentru tratarea lemnului; **purtați o mască de praf și lucrați cu un dispozitiv de extragere a prafului când poate fi conectat**

- Respectați reglementările naționale referitoare la aspirația prafului în funcție de materialele de lucru folosite
- Folosiți cabluri de prelungire derulate complet, protejate/izolate, cu o capacitate de 16 amperi
- **Decuplați întotdeauna ștecherul de la sursa de alimentare înainte de a face o reglare sau o schimbare de accesoriu**

#### ÎNAINTEA UTILIZĂRII

- Îndepărtați toate obstacolele aflate deasupra precum și sub traseul de tăiere înainte de a începe tăierea
- Evitați daunele provocate de șuruburi, ținte și alte elemente din timpul lucrului; înlăturați aceste elemente înainte de a trece la acțiune
- **Securizați piesa de lucru** (o piesă de lucru fixată cu clame sau într-o menghină este ținută mult mai în siguranță decât manual)

#### ÎN TIMPUL FUNCȚIONĂRII

- **Apucați scula electrică de suprafețele de prindere izolate atunci când executați operații în cursul cărora accesoriul poate atinge fire electrice ascunse sau propriul cablu de alimentare** (contactul un cablu aflat sub tensiune poate pune sub tensiune și componentele metalice ale sculei electrice și duce la electrocutare)
- Feriți-vă întotdeauna cordonul de părțile în mișcare ale sculei; orientați cordonul spre spate, la distanță de sculă
- În cazul în care cordonul este deteriorat sau secționat în timpul lucrului, nu atingeți cordonul, dar deconectați imediat de la priză
- Nu folosiți scula atunci când cordonul sau prezintă defecțiuni; înlocuirea lor se va efectua de o persoană autorizată
- În cazul unor defecțiuni electrice sau mecanice deconectați imediat instrumentul și scoateți șnurul din priză
- Țineți mâinile la distanță de pânza de ferăstrău cât timp dispozitivul este în funcțiune

#### ACCESORII

- SKIL garantează funcționarea perfectă a aparatului numai dacă sunt folosite accesoriile originale
- Nu folosiți o pânza de ferăstrău care este crăpată, deformată sau tocită

#### UTILIZARE ÎN AER LIBER

- Când se utilizează în aer liber, conectați dispozitivul prin intermediul unui întrerupător pentru curent de defect (FI) cu un curent de declanșare de maximum 30 mA, și folosiți numai un cordon prelungitor destinat pentru folosirea în aer liber și care este prevăzut cu o priză de cuplare protejată contra stropirii

#### DUPĂ UTILIZARE

- Când puneți instrumentul la o parte, deconectați motorul și asigurați-vă că toate elementele mobile și-au oprit complet mișcarea

#### EXPLICAȚIA SIMBOLURILOR DE PE INSTRUMENT

- ③ Citiți manual de instrucțiuni înainte de utilizare
- ④ Izolație dublă (nu este necesar fir de împământare)
- ⑤ Nu aruncați instrumentul direct la pubelele de gunoi

## UTILIZAREA

- Pornit/oprit ⑥
- Întrerupător-blocare pentru uz continuu ⑦
- Schimbarea pânzelor de ferăstrău ⑧
  - ! **introduceți pânza pe toată adâncimea, cu dinții ei spre partea din față** ⑨
- Tăierea la 45° ⑩
  - pentru rezultatele cele mai bune folosiți tipul de tăiere "all/curve"
  - ! **asigurați-vă că placa de bază se află în poziție paralelă față de cutia aparatului** (10a sau 10b)
- Selectarea modului de tăiere ⑪
  - 1 poziție ("all/curve") pentru o tăiere precisă în toate materialele, tăieturi în linie dreaptă + curbă
  - 4 poziții pentru o tăiere rapidă în diferite materiale, numai tăieturi în linie dreaptă
    - gri = metal
    - albastru = plastic
    - maro = lemn tare
    - verde = lemn moale
  - ! **selectați întotdeauna "all/curve" atunci când ferăstruiți material ce poate produce așchii**
- Ajustarea vitezei de tăiere pentru materialul folosit ⑫
  - ! **dacă aparatul nu funcționează cu roțile D în poziție 1, atunci alegeți o viteză mai mare de tăiere și reduceți viteza de tăiere când aparatul este în stare de funcționare**
- Aspirarea a prafului ⑬a
  - ! **nu folosiți aspiratorul atunci când tăiați metal**
- Suflarea prafului ⑬b
- Lampă ⑭
- Utilizarea sculei
  - înainte de a porni dispozitivul, asigurați-vă că partea din față a plăcii de bază e așezată plat peste materialul la care lucrați
  - țineți strâns dispozitivul cu ambele mâini, astfel încât să aveți tot timpul un control total asupra lui
  - ! **în timp ce lucrați, țineți întotdeauna scula de zonă (zonele) de prindere colorate gri** ⑮
  - asigurați-vă că întreaga suprafață a plăcii de bază stă ferm pe materialul la care lucrați
  - ! **asigurați-vă că pânza s-a oprit complet din mișcare înainte de a ridica scula de pe piesa de prelucrat**
  - mențineți fantele de ventilație G ② neacoperite

## SFATURI PENTRU UTILIZARE

- Folosiți pânzele de ferăstrău corespunzătoare ⑯
  - ! **folosiți numai pânzele cu coada în formă de T** ⑰
- Când tăiați metale, ungeți în mod regulat panza de ferăstrău cu ulei
- Pentru o tăiere precisă în linie dreaptă, ghidați dispozitivul cu placa de bază de-a lungul unei bucăți drepte de lemn ⑱
- Înainte de a face decupări, faceți o perforație ⑲
- Tăiere fără așchii
  - acoperiți linia de tăiere, înainte de a tăia, cu câteva straturi de bandă adezivă lată
  - puneți întotdeauna materialul la care lucrați cu fața în jos
- A se vedea alte recomandări la [www.skil.com](http://www.skil.com)

## ЪНТРЕЪНЕРИЕ / SERVICE

- Ацеастя скуля ну е де стина тй ултизйрий професионале
- Пйстрий апарату шй каблупу курат (май алес фантеле де вентилйция G 2)
- ! **деконекта йе де при зй йна иейе де а курйтя**
- Дакй йн ци да процедуелор де фабрикатй шй контрол ригуроосе скуля аре тоту шй о панй, репаратрея аце тейя се ва факе ну май ла а ателиер де асисти нтя сервисе ауторизат пентру скуле електриче SKIL
  - тримитейи скуля **йн тоталитеа луй** ку бонупу де купйряре ла дистрибуиторул сау ла центрлу де сервисе SKIL цел май апропиат (адресе шй диаграме де сервисе се гйсеасе ла [www.skil.com](http://www.skil.com))

## MEDIUL

- **Ну арункайи скулеле електриче, аксесориеле сау амбалажеле директ ла пубелеле де гунои** (ну май пентру тйрийе дин Ко мунитатеа Еуропеанй)
  - Директивя Еуропеанй 2012/19/EC факе реферие ла модулу де арункаре а екипаметелор електриче шй електрониче шй модулу де апликаре а нормелор йн конформитате ку legisлятия на тйоналй; скулеле електриче йн моментулу йн каре ау а тинс ун град авансат де узурй шй требуйес арункате, еле требуйес колектате се парат шй рециклате йн тр-ун мод це респектй нормеле де протекция а медиулу йн конйжурйтор
  - симболу ⑤ вй ва реаминти ацест луцру

## ZGOMOT/VIBRAЪИ

- Мйсурат йн конформитате ку EN 60745 нивелу де пресионе а сунетулу генерат де ацест инструмент е де 90 dB(A) iar нивелу де путере а сунетулу 101 dB(A) (а батереа standard: 3 dB), iar нивелу вибрацийлор \* m/s<sup>2</sup> (сума векториалй а трей дирекций; йн-certitudine K = 1,5 m/s<sup>2</sup>)
  - \* канд тййа тйй ле мн 8,8 m/s<sup>2</sup>
  - \* канд тййа тйй метале 13,3 m/s<sup>2</sup>
- Нивелу емисиилор де вибраций а фост мйсурат йн конформитате ку ун тест standardizat прецизат йн EN 60745; поате фи фолосит пентру а компаря о скулй ку алта шй ка евалуаре preliminarй а експунерии ла вибраций а тунци канд фолоситй скуля пентру апликацийе ментйонате
  - ултизатрея скулей пентру апликаций дйферите сау ку аксесорий дйферите шй прост йн трйе тинуте поате **кре ште** семнифйкатив нивелу де експунере
  - моментеле йн каре скуля е опрйтй сау канд функционеазй дар ну ехекутй нйцо луцраре, пот **редуце** семнифйкатив нивелу де експунере
- ! **протейа тй-вй ймпотривя ефектелор вибрацийлор прин йн трйе тинуте скулей шй а аксесориилор сале, пйстрйнд мйнйле калде шй органйзйнд процеселе де луцру**

BG

Прободен трион

4370

## УВОД

- Този електройнструмент е предназначен за правене на разрези и прорези в дърво, пластмаса, метал,

керамични плочки и гума, и е подходящ за прави и извити разрези под ъгъл 0° или 45°

- Лампата на този електройнструмент е предназначена за непосредствено осветяване на зоната на работа и не е подходяща за осветяване на помещения или за битови цели
- Този инструмент не е предназначен за професионална употреба
- Прочетете и пазете това ръководство за работа ③

## ТЕХНИЧЕСКИ ДАННИ ①

### ЕЛЕМЕНТИ НА ИНСТРУМЕНТА ②

- A Спусък за включване/изключване
- B Бутон за застопоряване на включващия спусък
- C Лост за избиране на режим на рязане
- D Маховик за регулиране на скоростта на рязане
- E Ключ за обдухване на работната повърхност
- F Прожектор
- G Вентилационните отвори

## БЕЗОПАСНОСТ

### ОБЩИ УКАЗАНИЯ ЗА БЕЗОПАСНА РАБОТА

**⚠ ВНИМАНИЕ!** Прочетете внимателно всички указания. Неспазването на приведените по долу указания може да доведе до токов удар, пожар и/или тежки травми. **Съхранявайте тези указания на сигурно място.** Използваният по-долу термин "електройнструмент" се отнася до захранвани от електрическата мрежа електройнструменти (със захранващ кабел) и до захранвани от акумулаторна батерия електройнструменти (без захранващ кабел).

### 1) БЕЗОПАСНОСТ НА РАБОТНОТО МЯСТО

- Поддържайте работното си място чисто и подредено.** Безпорядъкът или недостатъчното осветление могат да спомогнат за възникването на трудова злополука.
- Не работете с електройнструмента в среда с повишена опасност от възникване на експлозия, в близост до леснозапалими течности, газове или прахообразни материали.** По време на работа в електройнструментите се отделят искри, които могат да възпламенят прахообразни материали или пари.
- Дръжте деца и странични лица на безопасно разстояние, докато работите с електройнструмента.** Ако вниманието Ви бъде отклонено, може да загубите контрола над електройнструмента.

### 2) БЕЗОПАСНОСТ ПРИ РАБОТА С ЕЛЕКТРИЧЕСКИ ТОК

- Щепселът на електройнструмента трябва да е подходящ за ползвания контакт. В никакъв случай не се допуска изменение на конструкцията на щепсела. Когато работите със занулени електроуреди, не използвайте адаптери за щепсела.** Ползването на оригинални щепсели и контакти намалява риска от възникване на токов удар.

- b) Избягвайте допира на тялото Ви до заземенни тела, напр. тръби, отоплителни уреди, пещи и хладилници. Когато тялото Ви е заземено, рискът от възникване на токов удар е по-голям.
- c) **Предпазвайте електроинструмента си от дъжд и влага.** Проникването на вода в електроинструмента повишава опасността от токов удар.
- d) **Не използвайте храняващия кабел за цели, за които той не е предвиден, напр. за да носите електроинструмента за кабела или да извадите щепсела от контакта. Предпазвайте кабела от нагриване, омасляване, допир до остри ръбове или до подвижни звена на машини.** Повредени или усукани кабели увеличават риска от възникване на токов удар.
- e) **Когато работите с електроинструмент навън, използвайте само удължителни кабели, предназначени за работа на открито.** Използването на удължител, предназначен за работа на открито, намалява риска от възникване на токов удар.
- f) **Ако се налага използването на електроинструмента във влажна среда, използвайте предпазен прекъсвач за утечни токове.** Използването на предпазен прекъсвач за утечни токове намалява опасността от възникване на токов удар.
- 3) БЕЗОПАСЕН НАЧИН НА РАБОТА**
- a) **Бъдете концентрирани, следете внимателно действията си и постъпвайте предпазливо и разумно. Не използвайте електроинструмента, когато сте уморени или под влиянието на наркотични вещества, алкохол или упойващи лекарства.** Един миг разсеяност при работа с електроинструмент може да има за последствие изключително тежки наранявания.
- b) **Работете с предпазващо работно облекло и винаги с предпазни очила.** Носенето на подходящи за ползвания електроинструмент и извършваната дейност лични предпазни средства, като дихателна маска, здрави плътнотзатворени обувки със стабилен грайфер, защитна каска или шумозаглушители (антифони), намалява риска от възникване на трудова злополука.
- c) **Избягвайте опасността от включване на електроинструмента по невнимание. Преди да включите щепсела в храняващата мрежа или да поставите акумулаторната батерия, се уверявайте, че пусковият прекъсвач е в положение изключено.** Ако, когато носите електроинструмента, държите пръста си върху пусковия прекъсвач, или ако подавате храняващо напрежение на електроинструмента, когато е включен, съществува опасност от възникване на трудова злополука.
- d) **Преди да включите електроинструмента, се уверявайте, че сте отстранили от него всички помощни инструменти и гаечни ключове.** Помощен инструмент, забравен на въртящо се звено, може да причини травми.
- e) **Не надценявайте възможностите си. Работете в стабилно положение на тялото и във всеки**

- момент поддържайте равновесие. Така ще можете да контролирате електроинструмента по-добре и по-безопасно, ако възникне неочаквана ситуация.
- f) **Работете с подходящо облекло. Не работете с широки дрехи или украшения. Дръжте косата си, дрехите и ръкавици на безопасно разстояние от въртящи се звена на електроинструментите.** Широките дрехи, украшенията, дългите коси могат да бъдат захванати и увлечени от въртящи се звена.
- g) **Ако е възможно използването на външна аспирационна система, се уверявайте, че тя е включена и функционира изправно.** Използването на аспирационна система намалява рисковете, дължащи се на отделящата се при работа прах.
- 4) ВНИМАТЕЛНО ОТНОШЕНИЕ КЪМ ЕЛЕКТРОИНСТРУМЕНТИ**
- a) **Не претоварвайте електроинструмента. Използвайте електроинструментите само съобразно тяхното предназначение.** Ще работите по-добре и по-безопасно, когато използвате подходящия електроинструмент в зададения от производителя диапазон на натоварване.
- b) **Не използвайте електроинструмент, чиито пусков прекъсвач е повреден.** Електроинструмент, който не може да бъде изключван и включван по предвидения от производителя начин, е опасен и трябва да бъде ремонтиран.
- c) **Преди да промените настройките на електроинструмента, да замените работни инструменти и допълнителни приспособления, както и когато продължително време няма да използвате електроинструмента, изключвайте щепсела от храняващата мрежа и/или изваждайте акумулаторната батерия.** Тази мярка премахва опасността от задействане на електроинструмента по невнимание.
- d) **Съхранявайте електроинструментите на места, където не могат да бъдат достигнати от деца. Не допускайте те да бъдат използвани от лица, които не са запознати с начина на работа с тях и не са прочели тези инструкции.** Когато са в ръцете на неопитни потребители, електроинструментите могат да бъдат изключително опасни.
- e) **Поддържайте електроинструментите си грижливо. Проверявайте дали подвижните звена функционират безупорно, дали не заклинват, дали има счупени или повредени детайли, които нарушават или изменят функциите на електроинструмента. Преди да използвате електроинструмента, се погрижете повредените детайли да бъдат ремонтирани.** Много от трудовете злополуки се дължат на недобре поддържани електроинструменти и уреди.
- f) **Поддържайте режещите инструменти винаги добре заточени и чисти.** Добре поддържаните режещи инструменти с остри ръбове оказват по-малко съпротивление и се водят по-леко.
- g) **Използвайте електроинструментите, допълнителните приспособления, работните**

инструменти и т.н., съобразно инструкциите на производителя. С дейности и процедури, евентуално предписани от различни нормативни документи. Използването на електроинструменти за различни от предвидените от производителя приложения повишава опасността от възникване на трудови злополуки.

#### 5) ПОДДЪРЖАНЕ

- a) **Допускайте ремонтът на електроинструментите Ви да се извършва само от квалифицирани специалисти и само с използването на оригинални резервни части.** По този начин се гарантира съхраняване на безопасността на електроинструмента.

### УКАЗАНИЯ ЗА БЕЗОПАСНА РАБОТА ЗА ПРОБОДЕН ТРИОН

#### ОБЩИ

- Преди включване на инструмента в контакта се уверете, че мрежовото напрежение отговаря на напрежението, обозначено на фирмената табелка на инструмента (инструменти с номинално напрежение 230V или 240V могат да бъдат включени и към захранване с напрежение 220V)
- Преди да започнете работа, винаги проверявайте как работи инструмента и в случай на дефект незабавно го дайте за ремонт на квалифицирано лице; никога не отваряйте сами електроинструмента
- **Не обработвайте азбестосъдържащ материал** (азбестът е канцерогенен)
- Машината не трябва да се използва от лица под 16 години
- При работа нивото на шума може да надвиши 85 dB(A); носете анттифони
- Когато работите с материали, отделящи стружки, носете защитни очила
- Прахът от някои материали, като например съдържаща олово боя, някои видове дървесина, минерали и метали може да бъде вреден (контакт или вдишване на такъв прах могат да причинят алергични реакции и/или респираторни заболявания на оператора или стоящите наблизо лица); **използвайте противопохова масна и работете с аспиращо прахта устройство, когато такава може да бъде свързано**
- Определени видове прах са класифицирани като карциногенни (като прах от дъб и бук) особено когато са комбинирани с добавки за подобряване на състоянието на дървесината; **използвайте противопохова масна и работете с аспиращо прахта устройство, когато такава може да бъде свързано**
- Следвайте дефинираните по БДС изисквания относно запрашеността за материалите, които желаете да обработвате
- Използвайте напълно развити и безопасени разклонители с капацитет 16 A
- **Преди извършването на каквато и да било настройка или смяна на принадлежност винаги изваждайте щепсела от контакта на електрозахранването**

#### ПРЕДИ УПОТРЕБА

- Премахнете всички препятствия върху повърхността, а също и под пътя на рязане, преди да започнете рязането
- Избягвайте повреди, които могат да бъдат причинени от винтове, гвоздени и други метални елементи в обработвания детайл; отстранете ги преди да започнете работа
- **Обезопасете работния материал** (материал, затегнат в затягат инструмент или в менгеме е по-устойчив, отколкото ако се държи в ръка)

#### ПРИ УПОТРЕБА

- **Когато изпълнявате дейности, при които работният инструмент може да попадне на скрити под повърхността проводници под напрежение или да засегне захранващия кабел, внимавайте да допирате електроинструмента само до изолираните ръкохватки** (при контакт с проводник под напрежение то се предава на металните детайли на електроинструмента и това може да предизвика токов удар)
- Винаги отвеждайте захранващия кабел далеч от движещите се звена на електроинструмента; прехвърлете кабела отзад, далеч от електроинструмента
- Ако кабелът се повреди или среже по време на работа, не го докосвайте, веднага изключете щепсела, никога не използвайте инструмента с повреден кабел
- Не използвайте инструмента, когато е повреден шнурът; замената му следва да се извърши от квалифицирано лице
- В случай на електрическа или механична неизправност, изключете незабавно апарата и прекъснете контакта с електрическата мрежа
- Когато електроинструментът работи, пазете ръцете си от режещата лента

#### ДОПЪЛНИТЕЛНИ АКСЕСОАРИ

- SKIL може да осигури безаварийна работа на електроинструмента само ако се използват оригинални допълнителни приспособления
- Не използвайте режещата лента, която е напукана, деформирана или затъпена

#### УПОТРЕБА НА ОТКРИТО

- При работа на открито свързвайте електроинструмента към захранването посредством токопрекъсвач за повреда с максимален пусков ток от 30 mA и използвайте само удължител, предназначен за работа на открито и снабден със защитено от пръски щепселно гнездо

#### СЛЕД РАБОТА

- Преди да приберете инструмента, изключете мотора и се уверете, че всички движещи се части са преустановили движението

#### ОБЯСНЕНИЕ НА СИМВОЛИТЕ ПО ИНСТРУМЕНТА

- 3 Преди употреба прочетете ръководството с указания
- 4 Двойна изолация (не се изисква кабел за заземяване)
- 5 Не изхвърляйте инструмента заедно с битови отпадъци

## УПОТРЕБА

- Включване/изключване ⑥
- Застопоряване на включващия спусък за непрекъсната работа ⑦
- Смяна на остриетата ⑧
  - ! **внарийте острието до максимална дълбочина с насочени напред зъбци** ⑨
- Рязане под ъгъл 45° ⑩
  - за оптимални резултати изберете режим на рязане "all/curve"
  - ! **уверете се, че опорната пластина е прилепнала плътно към ножуха на инструмента** (⑩а или ⑩б)
- Избиране на режим на рязане ⑪
  - 1 комплект ("all/curve") за точно рязане на всякакви материали, прави + извити разрези
  - 4 комплекта за бързо рязане на различни материали, само прави разрези  
сиво = метал  
сино = пластмаса  
кафяво = твърдо дърво  
зеленато = меко дърво
  - ! **винаги избирайте "all/curve", когато режете податливи на разцепване материали**
- Регулиране на скоростта на рязане в зависимост от материала ⑫
  - ! **при условие, че инструментът не работи, когато маховинът D се намира в позиция 1, изберете по висока скорост на рязане, за да действате инструмента и я намалете отново, докато инструментът е в действие**
- Изсмукване на праха ⑬а
  - ! **не използвайте прахосмукачката, когато режете метал**
- Обдухване на работната повърхност ⑬б
- Прожектор ⑭
- Работа с инструмента
  - преди да включите електроинструмента, се уверете, че предния край на опорната пластина е легнал добре върху обработвания детайл
  - дръжте електроинструмента здраво с двете ръце, така че по всяко време да имате пълен контрол върху него
  - ! **по време на работа, винаги дръжте уреда за оцветената(ите) в сиво зона(и) за хващане** ⑮
  - цялата повърхност на опорната пластина трябва да лежи плътно върху обработвания детайл
  - ! **преди да вдигнете инструмента от детайла се уверете, че режещият диск е в пълен покой**
  - оставяйте вентилационните отвори G ② непокрити

## УКАЗАНИЯ ЗА РАБОТА

- Използвайте подходящи режещи ленти ⑯
  - ! **только използвайте ленти с Т-образна опашка** ⑰
- При рязане на метали смазвайте редовно режещата лента с машинно масло
- За постигане на точен прав разрез направлявайте електроинструмента с опорната пластина по ръба на право парче дърво ⑱

- Преди да правите прорези, предварително пробийте отвор ⑲
- Рязане без разцепване
  - преди рязане покрийте линията на разреза с няколко слоя широка лепилна лента
  - лицевата страна на обработвания детайл винаги трябва да сочи надолу
- За повече полезни указания вж. [www.skil.com](http://www.skil.com)

## ПОДДРЪЖКА / СЕРВИЗ

- Този инструмент не е предназначен за професионална употреба
- Поддържайте винаги електроинструмента и охраняващия кабел чисти (особено вентилационните отвори G ②)
  - ! **преди почистване изключете щепсела**
- Ако въпреки прецизното производство и внимателно изпитване възникне повреда, инструмента да се занесе за ремонт в оторизиран сервиз за електроинструменти на SKIL
  - занесете инструмента в неразглобен вид заедно с доказателство за покупката му в търговския обект, откъдето сте го закупили, или в най-близкия сервиз на SKIL (адресите, както и схемата за сервизно обслужване на електроинструмента, можете да намерите на адрес [www.skil.com](http://www.skil.com))

## ОПАЗВАНЕ НА ОКОЛНАТА СРЕДА

- **Не изхвърляйте електроуредите, приспособленията и опаковките заедно с битови отпадъци** (само за страни от ЕС)
  - съобразно Директивата на ЕС 2012/19/EG относно износени електрически и електронни уреди и отразяването ѝ в националното законодателство износените електроуреди следва да се събират отделно и да се предават за рециклиране според изискванията за опазване на околната среда
  - за това указва символът ⑤ тогава когато трябва да бъдат унищожени

## ШУМ/ВИБРАЦИИ

- Измерено в съответствие с EN 60745 нивото на звуково налягане на този инструмент е 90 dB(A) а нивото на звукова мощност е 101 dB(A) (стандартно отклонение: 3 dB), а вибрациите са \* m/c<sup>2</sup> (векторната сума по трите направления; неопределеност K = 1,5 m/c<sup>2</sup>)
  - \* при рязане на дърво 8,8 m/c<sup>2</sup>
  - \* при рязане на метал 13,3 m/c<sup>2</sup>
- Нивото на предадените вибрации е измерено в съответствие със стандартизирания тест, определен в EN 60745; то може да се използва за сравнение на един инструмент с друг и като предварителна оценка на подлагането на вибрации при използването на инструмента за посочените приложения
  - използването на инструмента за различни от тези приложения или с други, или лошо поддържани аксесоари може значително да повиши нивото на което сте подложени

- периодите от време, когато инструмента е изключен или съответно включен, но с него не се работи в момента могат значително да намалят нивото на което сте подложени

**! предпазвайте се от ефектите от вибрациите, като поддържате инструмента и аксесоарите му, пазите ръцете си топли и организирате вашите модели на работа**

SK

Priamočiara píla

4370

## ÚVOD

- Tento nástroj sa má používať na rezanie a vyrezávanie dreva, plastiku, kovu, keramických dosiek a gumy a je vhodný na rovné a zaoblené rezy pod 0° alebo 45° uhlom
- Svetlo tohto elektrického náradia je určené na to, aby osvetľovalo priamu pracovnú oblasť elektrického náradia a nie je vhodné na osvetľovanie priestorov v domácnosti
- Tento nástroj nie je vhodný pre profesionálne použitie
- Prečítajte a uschovajte tento návod na použitie ③

## TECHNICKÉ ÚDAJE ①

### ČASTI NÁSTROJA ②

- A Vypnutie a zapnutie
- B Gombík na uzamknutie vypínača
- C Páčka na výberu režimu rezania
- D Koliesko na nastavovanie rýchlosti pílenia
- E Prepínač na odľukovanie prachu
- F Bodové svetlo
- G Vetracie štrbiny

## BEZPEČNOSŤ

### VŠEOBECNÉ BEZPEČNOSTNÉ POKYNY

**⚠ POZOR! Prečítajte si všetky výstražné upozornenia a bezpečnostné pokyny.** Zanedbanie dodržiavania výstražných upozornení a pokynov uvedených v nasledujúcom texte môže mať za následok zásah elektrickým prúdom, spôsobí požiar a/alebo ťažké poranenie. **Tieto výstražné upozornenia a bezpečnostné pokyny starostlivo uschovajte na budúce použitie.** Pojem ručné "elektrické náradie" používaný v nasledujúcom texte sa vzťahuje na ručné elektrické náradie napájané zo siete (s prívodnou šnúrou) a na ručné elektrické náradie napájané akumulátorovou batériou (bez prívodnej šnúry).

#### 1) BEZPEČNOSŤ NA PRACOVISKU

- a) **Udržiavajte svoje pracovisko čisté a upratané.** Neporiadok na pracovisku alebo neosvetlené časti pracoviska môžu viesť k úrazom.
- b) **Nepracujte elektrickým náradím v prostredí ohrozenom výbuchom, v ktorom sa nachádzajú horľavé kvapaliny, plyny alebo prach.** Elektrické náradie produkuje iskry, ktoré môžu prach alebo pary zapáliť.

- c) **Deti a iné osoby udržiavajte počas práce od ručného elektrického náradia v dostatočnej vzdialenosti.** V prípade odpútania Vašej pozornosti by ste mohli stratiť kontrolu nad náradím.

#### 2) ELEKTRICKÁ BEZPEČNOSŤ

- a) **Zástrčka prívodnej šnúry sa musí hodiť do napájacej zásuvky. Zástrčka sa v žiadnom prípade nesmie meniť. Pri uzemnených spotrebičoch nepoužívajte spolu s nimi žiadne adaptéry.** Nezmenená zástrčka a vhodná zásuvka znižujú riziko zásahu elektrickým prúdom.
- b) **Vyhýbajte sa telesnému kontaktu s povrchovými plochami uzemnených spotrebičov, ako sú elektrické rúry, vyhrievacie telesá, sporáky a chladničky.** Keď je Vaše telo uzemnené, riziko zásahu elektrickým prúdom je vyššie.
- c) **Chráňte ručné elektrické náradie pred dažďom a vlhkom.** Vniknutie vody do ručného elektrického náradia zvyšuje riziko zásahu elektrickým prúdom.
- d) **Nepoužívajte prívodnú šnúru na prenášanie náradia, na jeho vešanie, ani za ňu nevyťahujte zástrčku zo zásuvky. Prívodnú šnúru chráňte pred horúčavou, olejom, ostrými hranami alebo pohybujúcimi sa časťami náradia.** Poškodené alebo zauzlené šnúry zvyšujú riziko zásahu elektrickým prúdom.
- e) **Ak pracujete s ručným elektrickým náradím vonku, používajte len také predĺžovacie šnúry, ktoré sú schválené pre použitie vo vonkajších priestoroch.** Používanie predĺžovacej šnúry určenej do vonkajšieho prostredia znižuje riziko zásahu elektrickým prúdom.
- f) **Ak sa nedá vyhnúť použitiu ručného elektrického náradia vo vlhkom prostredí, použite prerušovač uzemňovacieho obvodu.** Používanie prerušovača uzemňovacieho obvodu znižuje riziko zásahu elektrickým prúdom.

#### 3) BEZPEČNOSŤ OSÔB

- a) **Buďte pozorní, dávajte pozor na to, čo robíte a k práci s elektrickým náradím pristupujte rozumne. Nepoužívajte elektrické náradie, keď ste unavení alebo keď ste pod vplyvom drog, alkoholu alebo liekov.** Chvíľa nepozornosti pri používaní náradia môže viesť k vážnym poraneniam.
- b) **Noste osobné ochranné pomôcky, ochranný odev a vždy majte nasadené ochranné okuliare.** Nosenie pracovného odevu a používanie ochranných pomôcok ako ochrannej dýchacej masky, bezpečnostných protišmykových topánok, prilby alebo chrániča sluchu, podľa druhu elektrického náradia, znižuje riziko poranenia.
- c) **Vyhýbajte sa neúmyselnému uvedeniu ručného elektrického náradia do činnosti. Pred zasunutím zástrčky do zásuvky a/alebo pred pripojením akumulátora, pred chytením alebo prenášaním ručného elektrického náradia sa vždy presvedčte sa, či je ručné elektrické náradie vypnuté.** Ak budete mať pri prenášaní ručného elektrického náradia prst na vypínači, alebo ak ručné elektrické náradie pripojíte na elektrickú sieť zapnuté, môže to mať za následok nehodu.
- d) **Skôr ako ručné elektrické náradie zapnete, odstráňte nastavovacie a montážne nástroje. Nástroj**

alebo kľúč, ktorý sa nachádza v pohyblivej časti náradia, môže spôsobiť poranenie.

- e) **Neprečunajte sa. Zabezpečte si pevný postoj a neprestajne udržiavajte rovnováhu.** Takto budete môcť ručné elektrické náradie v neočakávaných situáciách lepšie kontrolovať.
- f) **Pri práci noszte vhodný pracovný odev. Nenoste široké odevy a nemajte na sebe šperky. Dbajte na to, aby ste mali vlasy, odev a rukavice v dostatočnej vzdialenosti od pohybujúcich sa častí náradia.** Pohybujúce sa časti náradia by mohli zachytiť voľné oblečenie, šperky alebo dlhé vlasy.
- g) **Ak možno namontovať zariadenie na odsávanie alebo zachytávanie prachu, presvedčíte sa, či je pripojené a správne používané.** Používanie odsávacieho zariadenia a zariadenia na zachytávanie prachu znižuje riziko ohrozenia zdravia prachom.

#### 4) STAROSTLIVÉ ZAOBCHÁDZANIE S ELEKTRICKÝM NÁRADÍM A JEHO POUŽÍVANIE

- a) **Náradie nepreťažujte. Pre svoju prácu používajte určené elektrické náradie.** Pomocou vhodného ručného elektrického náradia budete môcť v uvedenom rozsahu výkonu pracovať lepšie a bezpečnejšie.
- b) **Nepoužívajte žiadne ručné elektrické náradie, ktoré má pokazený vypínač.** Ručné elektrické náradie, ktoré sa už nedá zapínať alebo vypínať, je nebezpečné a treba ho dať opraviť.
- c) **Skôr ako začnete náradie nastavovať alebo prestavovať, vymieňať príslušenstvo alebo skôr, ako odložíte náradie, vždy vytiahnite zástrčku sieťovej šnúry zo zásuvky.** Toto bezpečnostné opatrenie zabraňuje neúmyselnému spusteniu náradia.
- d) **Nepoužívané ručné elektrické náradie uschovávajte mimo dosahu detí. Nedopusťte, aby ručné elektrické náradie používali osoby, ktoré s ním nie sú dôkladne oboznámené, alebo ktoré si neprečítali tento Návod na používanie.** Ak ručné elektrické náradie používajú neskusené osoby, stáva sa nebezpečným nástrojom.

- e) **Elektrické náradie starostlivo ošetrujte. Skontrolujte, či pohyblivé súčiastky náradia bezchybne fungujú a neblokujú a či nie sú zlomené alebo poškodené niektoré súčiastky, ktoré by mohli negatívne ovplyvniť fungovanie ručného elektrického náradia. Pred použitím ručného elektrického náradia dajte poškodené súčiastky opraviť.** Nejednen úraz bol spôsobený zle udržiavaným náradím.
- f) **Používané nástroje udržiavajte ostré a čisté.** Starostlivo ošetrované nástroje s ostrými reznými hranami sa menej často zablokujú a ich vedenie je podstatne ľahšie.
- g) **Používajte ručné elektrické náradie, príslušenstvo, pracovné nástroje a pod. podľa týchto pokynov. Zohľadnite pritom konkrétne pracovné podmienky a činnosť, ktorú máte vykonať.** Používanie ručného elektrického náradia na iné ako určené účely môže viesť k nebezpečným situáciám.

#### 5) SERVIS

- a) **Ručné elektrické náradie zverte do opravy len kvalifikovanému personálu a používajte len**

**originálne náhradné súčiastky.** Tým sa zabezpečí zachovanie bezpečnosti ručného elektrického náradia.

#### BEZPEČNOSTNÉ POKYNY PRE PRIAMOČIARÉ PÍLY

##### VŠEOBECNE

- Vždy skontrolujte či je napájacie napätie rovnaké ako napätie uvedené na štítku nástroja (nástroj s menovitým napätím 230V alebo 240V môžete pripojiť aj do siete s napätím 220V)
  - Skontrolujte či je nástroj v poriadku pred každým použitím; ak má nástroj poruchu, nikdy ho neotvorte sám, ale ho dajte ihneď opraviť kvalifikovanej osobe
  - **Neobrábajte materiál, ktorý obsahuje azbest** (azbest sa považuje za rakovinotvorný materiál)
  - Tento nástroj by nemali používať osoby mladšie ako 16 rokov
  - Hlasitosť zapnutého prístroja môže byť viac aké 85 dB(A); chráňte si uši ochrannými kryciami prostriedkami
  - Noste ochranné okuliare pri rezaní materiálu, z ktorého prskajú triesky
  - Prach z materiálu, akým je náter obsahujúci olovo, niektoré druhy dreva, minerály a kovy môže byť škodlivý (styk alebo nadýchanie prachu môže spôsobiť alergické reakcie a/alebo respiračné ochorenia obsluhy a okolostojacich osôb); **používajte ochrannú masku tváre a pracujte so zariadením na odsávanie prachu, ak je takéto zariadenie možné pripojiť**
  - Určité druhy prachu sú klasifikované ako karcinogénne (akým dubový a bukový prach), a to hlavne v spojení s prísadami pre úpravu dreva; **používajte ochrannú masku tváre a pracujte so zariadením na odsávanie prachu, ak je takéto zariadenie možné pripojiť**
  - Dodržujte stanovené nariadenia pre prácu v prašnom prostredí
  - Používajte úplne odmotanú a bezpečnú predlžovaciu šnúru s kapacitou 16 A
  - **Pri nastavovaní alebo výmene príslušenstva vždy vytiahnite prívodný kábel zo zásuvky**
- ##### PRE D POUŽITÍM
- Predtým než začnete rezať, odstráňte všetky prekážky na vrchnej a spodnej strane reznej dráhy
  - Zabráňte poškodeniu náradia skrutkami, klincami a inými kovovými predmetmi v obrobku; zoberte ich dole prv než začnete pracovať
  - **Zaistite obrábaný diel** (obrábaný diel uchytýny pomocou upínacích zariadení alebo vo zveráku je oveľa bezpečnejší kým v ruke)
- ##### POČAS PRÁCE
- **Držte elektrické náradie len za izolované plochy rukoväti, ak vykonávate takú prácu, pri ktorej by mohli použiť pracovný nástroj natrafiť na skryté elektrické vedenia alebo zasiahnuť vlastnú prívodnú šnúru náradia** (kontakt s elektrickým vedením, ktoré je pod napätím, môže dostať pod napätie aj kovové súčiastky náradia a spôsobiť zásah elektrickým prúdom)
  - Elektrickú šnúru udržiajte vždy mimo pohybujúcich sa častí nástroja; elektrickú šnúru vždy smerujte dozadu, mimo nástroja
  - Ak je sieťová šnúra poškodená alebo ak sa prereže počas prevádzky, nedotýkajte sa jej ale ju ihneď odpojte z hlavnej elektrickej siete

- Nikdy nepoužívajte nástroj ak je šnúra poškodená; šnúru musí vymeniť kvalifikovaná osoba
- V prípade elektrickej alebo mechanickej poruchy zastavte okamžite nástroj a vyťahnite zástrčku z nástennej zásuvky
- Dávajte pozor aby sa ruky nedostali do blízkosti pílového listu keď je nástroj v použití

### PRÍSLUŠENSTVO

- SKIL zabezpečí hladký chod nástroja len ak sa používa pôvodné príslušenstvo
- Nepoužívajte prasknutý, deformovaný alebo otupený pílový list

### POUŽITIE VONKU

- Pri použití von zapojte nástroj cez vypínač poruchového prúdu (FI), ktorý sa zapne ak intenzita prúdu prevyší 30 mA; použite len predlžovaciu šnúru, ktorá je zvlášť navrhnutá na vonkašie použitie a ktorá má vodotesnú spojovaciu zástrčku

### PO PRÁCI

- Skôr než nástroj položíte, presvedčte sa že je motor vypnutý a že sú všetky pohyblivé súčiastky zastavené

### VYSVETLENIE SYMBOLOV NA NÁSTROJI

- ③ Pred použitím si prečítajte návod na obsluhu
- ④ Dvojité izolácia (nevyžaduje sa uzemňovací kábel)
- ⑤ Nástroj nevyhadzujte do komunálneho odpadu

## POUŽITIE

- Zapínanie/vypínanie ⑥
- Aretácia vypínača pri nepretržitom používaní ⑦
- Výmena pílového listu ⑧
- ! **vložte pílový list do úplnej hĺbky tak, že zuby smerujú dopredu** ⑨
- Pílenie pod 45° uhlom ⑩
  - pre najlepšie výsledky použite nastavenie píly na "all/curve"
  - ! **dajte pozor aby vodiaca doska ležala plocho vedľa skrine telesa náradia** (10a alebo 10b)
- Výber režimu rezania ⑪
  - 1 nastavenie ("all/curve") na presné rezanie vo všetkých materiáloch, rovné + zaoblené hrany
  - 4 nastavenia na rýchlejšie rezanie v rozličných materiáloch, len rovné hrany
    - sivá = kovy
    - modrá = plasty
    - hnedá = tvrdé drevo
    - zelená = mäkké drevo
  - ! **vždy zvolte "all/curve" pri pílení materiálu citlivého na rozštiepenie**
- Nastavenie rýchlosti pílenia podľa typu materiálu ⑫
  - ! **ak náradie nefunguje s kolieskom D v polohe 1, zvolte vyššiu píliacu rýchlosť a znížte rýchlosť pílenia keď je náradie zapnuté**
- Odsávanie prachu ⑬a
  - ! **pri rezaní kovu nepoužívajte vysávač**
- Odfukovanie prachu ⑬b
- Bodové svetlo ⑭
- Prevádzka nástroja
  - pred zapnutím nástroja dajte pozor aby predný koniec ochodze ležal plocho na opracovávanom materiáli
  - držte nástroj pevne oboma rukami tak, aby ste vždy bol schopný úplne nástroj ovládať

### ! počas práce vždy držte nástroj v oblasti sivého držadla(iel) 15

- dajte pozor aby celý povrch ochodze ležal pevne na opracovávanom materiáli

### ! dajte pozor sa pílový list úplne zastavil prv než zodvihnete nástroj z opracovávaného materiálu

- vetracie štrbiny G ② udržiajte nezakryté

## RADU NA POUŽITIE

- Použite vhodné pílové listy 16
  - ! **použite len pílové listy typu T** 17
- Pri rezaní kovov sa pílové listy musia pravidelne mazať olejom
- Presný rovný rez sa dosiahne vedením nástroja ochodzou pozdĺž hrany rovného kusa dreva 18
- Predvŕtajte diery prv než začnete vyrezávať otvory 19
- Rezanie bez rozštiepenia
  - pred rezaním zakryte rezáciu čiaru niekoľkými vrstvami širokej pásky
  - vždy položte rezaný materiál tak aby dobrá strana smerovala dole
- Viac rád nájdete na [www.skil.com](http://www.skil.com)

## ÚDRŽBA / SERVIS

- Tento nástroj nie je vhodný pre profesionálne použitie
- Nástroj a sieťovú šnúru udržiajte stále čisté (zvlášť vetracie štrbiny G ②)
- ! **pred čistením odpojte z elektrickej siete**
- Ak by nástroj napriek starostlivej výrobe a kontrole predsa len prestal niekedy fungovať, treba dať opravu vykonať autorizovanej servisnej opravovni elektrického náradia SKIL
  - pošlite nástroj **bez rozmontovania** spolu s dôkazom o kúpe; vášmu dílerovi alebo do najbližšieho servisného strediska SKIL (zoznam adries servisných stredísk a servisný diagram nástroja sú uvedené na [www.skil.com](http://www.skil.com))

## ŽIVOTNÉ PROSTREDIE

- **Elektrické náradie, príslušenstvo a balenia nevyhadzujte do komunálneho odpadu** (len pre štáty EÚ)
  - podľa európskej smernice 2012/19/EG o nakladaní s použitými elektrickými a elektronickými zariadeniami a zodpovedajúcich ustanovení právnych predpisov jednotlivých krajín sa použité elektrické náradie musí zbierať oddelene od ostatného odpadu a podrobiť ekologicky šetrnej recyklácii
  - pripomenie vám to symbol ⑤, keď ju bude treba likvidovať

## HLUKU/VIBRÁCIÁCH

- Merané podľa EN 60745 je úroveň akustického tlaku tohto nástroja 90 dB(A) a úroveň akustického výkonu je 101 dB(A) (štandardná odchýlka: 3 dB), a vibrácie sú \* m/s<sup>2</sup> (súčet vektorov troch smerov; nepresnosť K = 1,5 m/s<sup>2</sup>)
  - \* pri rezaní dreva 8,8 m/s<sup>2</sup>
  - \* pri rezaní kovu 13,3 m/s<sup>2</sup>



- Hladina emisija od vibracija bola namerana v súlade s normalizovaným testom uvedeným v norme EN 60745; môže sa používať na vzájomné porovnávanie náradí a na predbežné posúdenie vystavenia účinkom vibrácií pri používaní náradia pre uvedené aplikácie
  - používanie náradia na rôzne aplikácie, alebo v spojení s rôznymi alebo nedostatočne udržiavanými doplnkami môže značne **zvýšiť** úroveň vystavenia
  - časové doby počas ktorých je je náradie vypnuté alebo počas ktorých náradie beží ale v skutočnosti nevykonáva prácu môžu značne **znižiť** úroveň vystavenia
- ! **chráňte sa pred účinkami vibrácií tak, že budete náradie a jeho príslušenstvo správne udržiavať, tak že nebudete pracovať so studenými rukami a tak že si svoje pracovné postupy správne zorganizujete**

HR

## Ubodna pila

4370

### UVOD

- Ovaj alat namijenjen je za odrezivanje i izrezivanje drva, plastike, metala, keramičkih pločica i gume, i prikladan je za ravne i zakrivljene rezove kod 0° do 45°
- Svjetlo na električnom alatu namijenjeno je za izravno osvjetljavanje područja rada električnog alata i nije primjereno kao sredstvo za rasvjetu prostorije u domaćinstvu
- Ovaj uređaj nije namijenjen profesionalnoj upotrebi
- Pažljivo pročitajte i sačuvajte ove upute za rukovanje ③

### TEHNIČKI PODACI ①

### DIJELOVI ALATA ②

- A Prekidač za uključivanje-isključivanje
- B Gumb za blokiranje prekidača
- C Ručica za biranje načina piljenja
- D Kotačić za reguliranje broja hodova
- E Prekidač za puhanje prašine
- F Reflektor
- G Otvori za strujanje zraka

## SIGURNOST

### OPĆE UPUTE ZA SIGURAN RAD

**PAŽNJA!** Treba pročitati sve napomene o sigurnosti i upute. Ako se ne bi poštivale napomene o sigurnosti i upute to bi moglo uzrokovati strujni udar, požar i/ili teške ozljede. **Sačuvajte sve napomene o sigurnosti i upute za buduću primjenu.** U daljnjem tekstu korišten pojam "električni alat" odnosi se na električne alate s priključkom na električnu mrežu (s mrežnim kabelom) i na električne alate s napajanjem iz aku baterije (bez mrežnog kabela).

### 1) SIGURNOST NA RADNOM MJESTU

- Vaše radno područje održavajte čisto i uredno.** Nered ili neosvijetljeno radno područje mogu doći do nezgoda.
- S uređajem ne radite u okolini ugroženoj eksplozijom, u kojoj se nalaze zapaljive tekućine, plinovi ili prašina.** Električni alati proizvode iskre koje mogu zapaliti prašinu ili pare.
- Djecu i ostale osobe držite dalje tijekom korištenja električnog alata.** Ako bi skrenuli pozornost sa posla mogli bi izgubiti kontrolu nad uređajem.

### 2) ELEKTRIČNA SIGURNOST

- Priključni utikač uređaja treba odgovarati utičnici.** Na utikaču se ni u kojem slučaju ne smiju izvoditi izmjene. **Ne koristite adapterske utikače zajedno sa uređajima koji su zaštićeni uzemljenjem.** Originalni utikač i odgovarajuće utičnice smanjuju opasnost od električnog udara.
- Izbjegavajte dodir tijela s uzemljenim površinama kao što su cijevi, centralno grijanje, štednjaci i hladnjaci.** Postoji povećana opasnost od električnog udara ako je vaše tijelo uzemljeno.
- Držite uređaj dalje od kiše ili vlage.** Prodiranje vode u električni uređaj povećava opasnost od električnog udara.
- Priključni kabel ne koristite za nošenje, vješanje ili za izvlačenje utikača iz utičnice.** Držite kabel dalje od izvora topline, ulja, oštrih rubova ili pomičnih dijelova uređaja. Oštećen ili usukan kabel povećava opasnost od električnog udara.
- Ako s električnim uređajem radite na otvorenom, koristite samo produžni kabel odobren za uporabu na otvorenom.** Primjena produžnog kabela prikladnog za uporabu na otvorenom smanjuje opasnost od električnog udara.
- Ako se ne može izbjeći uporaba električnog alata u vlažnoj okolini, upotrijebite sigurnosna sklopka za propuštanje u zemlju.** Upotrebom sigurnosne sklopke za propuštanje u zemlju smanjuje se opasnost od električnog udara.

### 3) SIGURNOST LJUDI

- Budite oprezni, pazite što činite i postupajte razumno kod rada s električnim alatom. Ne koristite uređaj ako ste umorni ili pod utjecajem opojnih sredstava, alkohola ili lijekova.** Trenutak nepažnje kod uporabe uređaja može doći do ozbiljnih ozljeda.
- Nosite sredstva osobne zaštite i uvijek zaštitne naočale.** Nošenje sredstava osobne zaštite, kao što je zaštitna maska, sigurnosne cipele koje ne klize, zaštitne kacige ili štitnika za sluh, ovisno od vrste i primjene električnog alata, smanjuje opasnost od nezgoda.
- Izbjegavajte nehotično puštanje u rad. Prije nego što ćete utaknuti utikač u utičnicu i/ili staviti aku-bateriju, provjerite je li električni alat isključen.** Ako kod nošenja električnog alata imate prst na prekidaču ili se uključen uređaj priključi na električno napajanje, to može dovesti do nezgoda.
- Prije nego što uređaj uključite, uklonite alate za podešavanje ili vijčane ključeve.** Alat ili ključ koji se nalazi u rotirajućem dijelu uređaja može doći do nezgoda.

- e) **Ne precjenjujte svoje sposobnosti. Zauzмите siguran i stabilan položaj tijela i držite u svakom trenutku ravnotežu.** Na taj način možete uređaj bolje kontrolirati u neočekivanim situacijama.
- f) **Nosite prikladnu odjeću. Ne nosite široku odjeću ili nakit. Neka vaša kosa, odjeća i rukavice budu što dalje od pomičnih dijelova.** Mlohavu odjeću, nakit ili dugu kosu mogu zahvatiti pomični dijelovi uređaja.
- g) **Ako se mogu montirati naprave za usisavanje i hvatanje prašine, provjerite da li su iste priključene i da li se pravilno koriste.** Primjena naprave za usisavanje može smanjiti ugroženost od prašine.
- 4) BRIŽLJIVA UPORABA ELEKTRIČNIH ALATA**
- a) **Ne preopterećujte uređaj. Koristite za vaše radove za to predviđen električni alat.** S odgovarajućim električnim alatom radit ćete bolje i sigurnije, u navedenom području učinka.
- b) **Ne koristite električni alat čiji je prekidač neispravan.** Električni alat koji se više ne može uključiti ili isključiti, opasan je i treba se popraviti.
- c) **Izvučite utikač iz mrežne utičnice i/ili izvadite aku-bateriju prije podešavanja uređaja, zamjene pribora ili odlaganja uređaja.** Ovim mjerama opreza spriječiti će se nehotično pokretanje uređaja.
- d) **Nekorištene električne alate spremite izvan doseg djece. Ne dopustite da uređaj koriste osobe koje s njim nisu upoznate ili koje nisu pročitale upute za uporabu.** Električni alati su opasni ako ih koriste neiskusne osobe.
- e) **Uređaj održavajte s pažnjom. Kontrolirajte da li pomični dijelovi uređaja besprijekorno rade i da nisu zaglavljani, te da li su dijelovi polomljeni ili tako oštećeni da negativno djeluju na funkciju uređaja. Popravite oštećene dijelove prije uporabe uređaja.** Mnoge neozgode imaju svoj uzrok u loše održanim uređajima.
- f) **Rezne alate održavajte oštrim i čistim.** Pažljivo održavani rezni alati s oštrim oštricama neće se zaglaviti i lakši su za vođenje.
- g) **Koristite električne alate, pribor, radne alate, itd., prema navedenim uputama. Pri tome uzmite u obzir radne uvjete i radove koje se izvode.** Uporaba električnih alata za neke druge primjene različite od predviđenih, može doći do opasnih situacija.
- 5) SERVIS**
- a) **Popravlak uređaja prepustite samo kvalificiranom stručnom osoblju i samo s originalnim rezervnim dijelovima.** Na taj će se način postići održanje stalne sigurnosti uređaja.

## UPUTE ZA SIGURAN RAD S UBODNOM PILOM

### OPĆENITO

- Uvijek provjerite je li napon napajanja isti kao onaj naveden na tipskoj pločici uređaja (uređaji označeni s 230V ili 240V mogu raditi i na 220V)
- Prije svake uporabe provjeriti funkciju uređaja i u slučaju neispravnosti odmah ga poslati na popravak u ovlašten servis; uređaj nikada sami ne otvarajte
- Ne obrađujte materijal koji sadrži azbest** (azbest se smatra kancerogenim)
- Uređaj ne bi smjele koristiti osobe mlađe od 16 godina

- Razina buke kod rada može premašiti 85 dB(A); nositi štitičnike za sluh
- Kod obrade materijala gdje nastaje strugotina treba nositi zaštitne naočale
- Prašina od materijala kao što su boje koje sadrže olovo, neke vrste drveća, minerali i metal mogu biti opasne (dodir s prašinom ili njeno udisanje mogu prouzročiti alergične reakcije i/ili respiratorna oboljenja rukovatelja ili posmatrača); **nosite masku za zaštitu od prašine i radite s uređajem za ekstrakciju prašine ukoliko ga možete priključiti**
- Određene vrste prašine klasificiraju se kao karcinogenske (kao što su prašina hrastovine i bukovine), osobito u sudejstvu s aditivima za kondicioniranje drveta; **nosite masku za zaštitu od prašine i radite s uređajem za ekstrakciju prašine ukoliko ga možete priključiti**
- Nacionalni uvjeti za materijale s kojima želite raditi
- Upotrebjavajte samo neodmotane i zaštićene produžne kabele kapaciteta 16 ampera
- Prije svih radova održavanja, podešavanja ili izmjene alata i pribora treba izvući utikač iz mrežne utičnice**

### PRIJE UPORABE

- Prije nego što počnete s rezanjem uklonite sve zapreke sa gornje kao i donje površine, koje se nalaze na liniji rezanja
- Izbjegavajte oštećenja od vijaka, čavala i sličnih predmeta na vašem izratku; prije početka rada ih izvadite
- Osigurajte izradak** (izradak je sigurnije pričvršćen pomoću stezaljke ili škripa nego da ga držite rukom)

### TIJEKOM UPORABE

- Električni alat držite na izoliranim površinama zahvata, kada radite na mjestima gdje bi svrdlo moglo oštetiti skrivene električne kablove ili vlastiti priključni kabel** (kontakt sa vodom pod naponom može i metalne dijelove električnog alata staviti pod napon i dovesti do strujnog udara)
- Kabel uvijek držati dalje od rotirajućih dijelova uređaja; kabel povlačiti iza uređaja
- Ako se tijekom rada priključni kabel ošteti ili odreže, ne dirati priključni kabel, nego odmah izvući mrežni utikač
- Nikad ne upotrebljavajte alat kad su kabel oštećeni; neka iz zamijeni kvalificirana osoba
- U slučaju neobičajenog ponašanja uređaja ili neobičnih šumova, uređaj treba odmah isključiti i izvući utikač iz mrežne utičnice
- Držite ruke dalje od lista pile ako je uređaj uključen

### PRIBOR

- SKIL može osigurati besprijekoran rad uređaja samo ako se koristi originalni pribor
- Ne smiju se koristiti napukli ili tupi listovi pile ili takvi koji su promijenili svoj oblik

### UPORABA NA OTVORENOM

- Kod primjene na otvorenom, uređaj priključiti preko zaštitne sklopke struje kvara (FI), s okidačkom strujom od max. 30 mA i koristiti samo za to predviđen produžni kabel, koji je na priključnom mjestu zaštićen od prskanja

### NAKON UPORABE

- Čim se odmaknete od alata trebajte ga isključiti, a pomični se dijelovi trebaju potpuno zaustaviti

## POJAŠNJENJE SIMBOLA NA UREĐAJU

- ③ Prije upotrebe pročitajte korisnički priručnik
- ④ Dvostruka izolacija (dozerna žica nije potrebna)
- ⑤ Uređaj ne bacajte u kućni otpad

## POSLUŽIVANJE

- Uključivanje/isključivanje ⑥
- Aretiranje prekidača za stalan rad ⑦
- Izmjena lista pile ⑧
- ! **umetnite list ubodne pile do kraja sa zupcima okrenutim prema naprijed** ⑨
- Piljenje kod 45° ⑩
  - za bolje rezultate piljenja odabrati položaj "all/curve"
- ! **provjerite da li ploča podnožja plošno naliježe na kućište alata** (⑩a ili ⑩b)
- Odabir načina piljenja ⑪
  - 1 položaj ("all/curve") za precizno piljenje svih materijala, s ravnim + zakrivljenim rezovima
  - 4 položaja za brzo piljenje različitih materijala, samo ravnim rezovi  
siva = metali  
modra = plastika  
smeđa = tvrdo drvo  
zeleno = meko drvo
- ! **kod piljenja materijala gdje se stvaraju iverci, uvijek odabrati "all/curve"**
- Broj hodova prilagoditi obrađivanom materijalu ⑫
- ! **ako uređaj ne radi s kotačićem D u položaju 1, treba odabrati veći broj hodova i smanjiti broj hodova kod alata koji radi**
- Usisavanje prašine ⑬a
- ! **usisavač prašine ne koristiti kod piljenja metala**
- Puhalo za prašinu ⑬b
- Reflektor ⑭
- Posluživanje uređaja
  - prije uključivanja uređaja ploča treba prednjom stranom nalijegati na izradak
  - uređaj uvijek čvrsto držati s obje ruke, kako bi uvijek bio pod kontrolom
- ! **alat kod primjene, držati samo na sivo označenim područjima** ⑮
- provjerite da li ploča podnožja sigurno naliježe po čitavoj površini
- ! **list pile se mora potpuno zaustaviti prije nego što se alat ukloni sa izratka**
- otvore za strujanje zraka G ② držite nepokriveno

## SAVJETI ZA PRIMJENU

- Treba koristiti odgovarajuće listove pile ⑯
- ! **koristiti samo listove pile s T-drškom** ⑰
- Kod rezanja metala list pile treba redovito podmazivati uljem
- Kod preciznog rezanja, alat s donjom pločom voditi uzduž ruba ravnog komada drva ⑱
- Prije izvođenja izreza prethodno izbušiti rupu ⑲
- Rezanje bez stvaranja iveraka
  - liniju rezanja proširiti s više slojeva i prije početka rada oblijepiti ljepljivom trakom
  - površinu izratka uglavnom okrenuti prema dolje
- Dodatne savjete možete naći na adresi [www.skil.com](http://www.skil.com)

## ODRŽAVANJE / SERVISIRANJE

- Ovaj uređaj nije namijenjen profesionalnoj upotrebi
- Održavajte čistim uređaj i kabel (osobito otvore za hlađenje G ②)
- ! **prije čišćenja treba izvući mrežni utikač**
- Ako bi uređaj unatoč brižljivih postupaka izrade i ispitivanja ipak prestao raditi, popravak treba prepustiti ovlaštenom servisu za SKIL električne alate
  - uređaj treba **nerastavljeno** predati, zajedno s računom o kupnji u najbližu SKIL ugovornu servisnu radionicu (popise servisa, kao i oznake rezervnih dijelova uređaja možete naći na adresi [www.skil.com](http://www.skil.com))

## ZAŠTITA OKOLIŠA

- **Električne alate, pribor i ambalažu ne bacajte u kućni otpad** (samo za EU-države)
  - prema Europskoj direktivi 2012/19/EG o staroj električnoj i elektroničkoj opremi i njenoj primjeni u skladu sa nacionalnim zakonom, istrošeni električni alati moraju se sakupljati odvojeno i odvesti u posebne pogone za reciklažu
  - na to podsjeća simbol ⑤ kada se javi potreba za odlaganjem

## BUCI/VIBRACIJAMA

- Mjereno prema EN 60745 prag zvučnog tlaka ovog električnog alata iznosi 90 dB(A) a jakost zvuka 101 dB(A) (standardna devijacija: 3 dB), a vibracija \* m/s<sup>2</sup> (vektorski zbroj u tri smjera; nesigurnost K = 1,5 m/s<sup>2</sup>)
  - \* kod rezanja drva 8,8 m/s<sup>2</sup>
  - \* kod rezanja metala 13,3 m/s<sup>2</sup>
- Razina emitiranja vibracija izmjerena je sukladno normiranom testu danom u EN 60745; ona se može koristiti za usporedbu jedne alatke s drugom, te preliminarnu procjenu izloženosti vibracijama pri uporabi alatke za navedene namjene
  - uporaba ove alatke za druge namjene ili s drugim ili slabo održanim nastavcima, može u značajnoj mjeri **uvećati** razinu izloženosti
  - vrijeme tokom kojega je alatka isključena, ili je uključena ali se njome ne radi, može značajno **umanjiti** razinu izloženosti
- ! **zaštitite se od posljedica vibracija održavanjem alatke i njezinih nastavaka, održavanjem Vaših ruku toplima, te organiziranjem Vaših obrazaca rada**

SRB

Ubodna testera

4370

## UPUTSTVO

- Ovaj alat je namenjen za presjecanje i odsecanje drveta, plastike, metala, keramičkih ploča i gume; koristi se za pravo i sečenje pod uglom do od 0° ili 45°
- Svetlo na ovom elektroalatu je namenjeno za to da se direktno osvetli radna zona elektroalata i nije adekvatno za osvetljenje prostorije u domaćinstvu
- Ovaj alat nije namenjen za profesionalnu upotrebu

- Pažljivo pročitajte i sačuvajte ova uputstva za rukovanje

③

## TEHNIČKI PODACI ①

### ELEMENTI ALATA ②

- A On/off prekidač
- B Dugme za učvršćivanje prekidača
- C Ručica za biranje režima sečenja
- D Točkić za regulisanje brzine testerisanja
- E Prekidač za otprašivač
- F Svetlo
- G Prorezi za hlađenje

## SIGURNOST

### OPŠTA UPUTSTVA O SIGURNOSTI

**⚠ PAŽNJA!** Čitajte sva upozorenja i uputstva. Propusti kod pridržavanja upozorenja i uputstava mogu imati za posledicu električni udar, požar i/ili teške povrede. **Čuvajte sva upozorenja i uputstva za budućnost.** Pojam upotrebljen u upozorenjima "električni alat" odnosi se na električne alate sa radom na mreži (sa mrežnim kablom) i na električne alate sa radom na akumulator (bez mrežnog kabla).

#### 1) SIGURNOST NA RADNOM MESTU

- a) **Držite Vaše područje rada čisto i pospremljeno.** Nered ili neosvetljena radna područja mogu voditi nesrećama.
- b) **Ne radite sa aparatom u okolini ugroženoj od eksplozija u kojoj se nalaze zapaljive tečnosti, gasovi ili prašine.** Električni alati proizvode varnice, koje mogu zapaliti prašinu ili isparenja.
- c) **Za vreme korišćenja električnog alata držite podalje decu i druge osobe.** Kod skretanja možete izgubiti kontrolu nad aparatom.

#### 2) ELEKTRIČNA SIGURNOST

- a) **Utikač za priključak aparata mora odgovarati utičnoj kutijici. Utikač se nesme nikako menjati. Ne upotrebljavajte adaptere utikača zajedno sa aparatima sa uzemljenom zaštitom.** Ne promenjeni utikači i odgovarajuće utičnice smanjuju rizik od električnog udara.
- b) **Izbegavajte telesni kontakt sa uzemljenim gornjim površinama, kao što su cevi, grejanja, šporeti i rashladni ormani.** Postoji povećani rizik od električnog udara, ako je Vaše telo uzemljeno.
- c) **Držite aparat podalje od kiše ili vlage.** Prodiranje vode u električni aparat povećava rizik od električnog udara.
- d) **Ne koristite kabl da bi aparat nosili, obesili ili ga izvlačili iz utičnice. Držite kabl dalje od vreline, ulja, oštrih ivica ili pokretnih delova aparata.** Oštećeni ili zamršeni kablovi povećavaju rizik od električnog udara.
- e) **Ako sa nekim električnim alatom radite u prirodi, upotrebljavajte samo produžne kablove koji su dozvoljeni za spoljno područje.** Upotreba produžnog kabla pogodnog za spoljno područje smanjuje rizik od električnog udara.

- f) **Ako rad električnog alata ne može da se izbegne u vlažnoj okolini, koristite prekidač strujne zaštite pri kvaru.** Upotreba prekidača strujne zaštite pri kvaru smanjuje rizik od električnog udara.

#### 3) SIGURNOST OSOBA

- a) **Budite pažljivi, pazite na to, šta radite i idite razumno na posao sa električnim alatom. Ne upotrebljavajte aparat, kada ste umorni ili pod uticajem droga, alkohola ili lekova.** Momenat nepažnje kod upotrebe aparata može voditi do ozbiljnih povreda.
  - b) **Nosite ličnu zaštitnu opremu i uvek zaštitne naočare.** Nošenje lične zaštitne opreme, kao maske za prašinu, sigurnosne cipele koje ne klizaju, zaštitni šlem ili zaštitu za sluh, zavisno od vrste i upotrebe električnog alata, smanjujete rizik od povreda.
  - c) **Izbegavajte nenamerno puštanje u rad. Uverite se da je električni alat isključen, pre nego što ga priključite na struju i/ili na akumulator, uzmete ga ili nosite.** Ako prilikom nošenja električnog alata držite prst na prekidaču ili aparat uključeni priključujete na struju, može ovo voditi nesrećama.
  - d) **Uklonite alate za podešavanje ili ključeve za zavrtanje, pre nego što uključite aparat.** Alat ili ključ koji se nalazi u delu aparata koji se okreće, može voditi povredama.
  - e) **Ne precenjujte sebe. Pobrinite se da sigurno stojite i održavajte u svako doba ravnotežu.** Na taj način možete bolje kontrolisati aparat u neočekivanim situacijama.
  - f) **Nosite pogodno odelo. Ne nosite široko odelo ili nakit. Držite kosu, odelo i rukavice podalje od pokretnih delova.** Opušteno odelo, nakit ili duža kosa mogu biti zahvaćeni od rotirajućih delova.
  - g) **Ako se mogu montirati uređaji za usisavanje prašine i uređaji za hvatanje prašine, uverite se da li su priključeni i ispravno koriste.** Upotreba usisavanja prašine može smanjiti opasnosti od prašine.
- #### 4) BRIŽLJIVO OPHODJENJE I KORIŠĆENJE ELEKTRIČNIH ALATA
- a) **Ne preopterećujte aparat. Upotrebljavajte za Vaš posao električni alat odredjen za to.** Sa odgovarajućim električnim alatom radićete bolje i sigurnije u navedenom području rada.
  - b) **Ne upotrebljavajte električni alat, čiji je prekidač u kvaru.** Električni alat koji više ne može da se uključi ili isključuje je opasan i mora da se popravi.
  - c) **Izucite utikač iz utičnice i/ili uklonite akumulator pre nego što preduzmete podešavanja na aparatu, promenu delova pribora ili ostavite aparat.** Ova mera opreza sprečava nenamernan start aparata.
  - d) **Čuvajte nekorisćene električne alate izvan domašaja dece. Ne dopustite osobama da koriste aparat, koje ga ne poznaju ili nisu pročitali ova uputstva.** Električni alati su opasni, ako ih koriste neiskusne osobe.
  - e) **Održavajte aparat brižljivo. Kontrolišite, da li pokretni delovi aparata funkcionišu besprekorno i ne slepljuju, da li su delovi slomljeni ili tako oštećeni, da je funkcija aparata oštećena. Popravite oštećene delove pre upotrebe aparata.** Mnoge nesreće imaju svoj uzrok u loše održavanim električnim alatima.

- f) **Držite alate za sečenja oštre i čiste.** Brižljivo negovani alati za sečenje sa oštrim sečivima manje slepljuju i lakše se vode.
- g) **Upotrebljavajte električne alate, pribor, alate koji se umeću itd. prema ovim uputstvima. Obratite pažnju pritom na uputstva za rad i posao koji treba izvesti.** Upotreba električnih alata za druge od propisanih namena može voditi opasnim situacijama.
- 5) SERVIS**
- a) **Neka Vam Vaš aparat popravlja samo kvalifikovano stručno osoblje i samo sa originalnim rezervnim delovima.** Na taj način se obezbeđuje da ostane sačuvana sigurnost aparata.

## SIGURNOSNA UPUTSTVA ZA UBODNU TESTERU

### OPŠTA

- Uvek se uverite da je napon struje isti kao i napon naveden na pločici sa nazivom alatu (alati na kojima je naveden napon od 230V ili 240V mogu da rade i na 220V)
- Proverite funkcionisanje električnog alata pre upotrebe i u slučaju postojanja bilo kakvog kvara dajte odmah na popravku nikada ne otvarajte alat sami
- Ne obradujte nikakav materijal koji sadrži azbest** (azbest važi kao izazivač raka)
- Ovaj alat ne treba da koriste osobe ispod 16 godina
- Buka koju alat proizvodi tokom rada može da premaši 85 dB(A); nosite zaštitu za sluh
- Nosite naočare kada radite sa materijalima koji proizvode piljevinu
- Prašina od materijala, kao što su boja koja sadrži olovo, neke vrste drveta, minerali i metal, može biti opasna (dodir ili udisanje prašine može prouzrokovati alergijske reakcije i/ili respiratorna oboljenja rukovaoca i lica u blizini); **nosite masku protiv prašine i radite uz uključeni uređaj za ekstrakciju prašine kada radite na mestima gde ju je moguće priključiti**
- Određene vrste prašine su klasifikovane kao kancerogene (kao što su prašina hrastovine i bukovine), posebno u sadejstvu sa aditivima za pripremu drveta; **nosite masku protiv prašine i radite uz uključeni uređaj za ekstrakciju prašine kada radite na mestima gde ju je moguće priključiti**
- Prati nacionalne propise vezane za prašinu koja se proizvodi prilikom rada na obrađivanim materijalima
- Produžni kabl koji koristite mora da bude sasvim odmotan i siguran, sa kapacitetom od 16 A
- Obavezno iskopčajte alat iz električne utičnice pre nego što izvršite bilo kakva podešavanja ili zamenu pribora**

### PRE UPOTREBE

- Pre nego što započnete sečenje, uklonite sve prepreke na vrhu, kao i ispod putanje sečenja
- Izbegavajte oštećenja od šrafova, eksera i drugih predmeta na vašem području rada; uklonite ih pre nego što započnete rad
- Obezbedite radni predmet** (radni predmet stegnut pomoću stega ili nečeg sličnog je mnogo stabilniji nego kada se drži rukom)

### TOKOM UPOTREBE

- Držite električni alat za izolovane hvataljke kada izvodite radove kod kojih upotrebljeni alat može da**

**susretne skrivene vodove struje ili kabl samog alata** (kontakt sa jednim vodom koji sprovodi struju može da stavi pod napon metalne delove uređaja i da utiče na električni udar)

- Kabl uvek držite podalje od pokretnih delova alata; uvek ga treba držati iza alata
- Ako se kabl ošteti ili preseče u toku rada, odmah ga iskopčajte i nemojte ga dodirivati
- Nikada nemojte da koristite alat ako je kabl oštećen; zamenu kabla mora da obavi stručno lice
- U slučaju da dođe do električnog ili mehaničkog kvara, odmah isključite alat i iskopčajte ga iz utičnice
- Držite ruke dalje od sečiva kada radite sa električnim alatom

### PRIBOR

- SKIL može priznati garanciju samo ukoliko je korišćen originalni pribor

- Ne koristite sečivo koje je napuklo, deformisano ili tupo

### KORIŠĆENJE NA OTVORENOM

- Prilikom primene alata napolju, priključite ga preko FI sklopke sa strujom isključenja od maksimalnih 30mA i koristite samo jedan produžni gajtan, koji je predviđen za korišćenje na otvorenom i koji ima utikač zaštićen od prodora vode

### NAKON UPOTREBE

- Kada završite rad sa alatom, isključite motor i proverite da li su se zaustavili svi pokretni delovi

### OBJAŠNJENJE SIMBOLA NA ALATU

- ③ Pročitajte uputstvo za korišćenje pre prve upotrebe
- ④ Dvostruka izolacija (nije potrebna žica za uzemljenje)
- ⑤ Alat ne odlažite u kućne otpatke

## UPUTSTVO ZA KORIŠĆENJE

- Uključivanje/isključivanje ⑥
- Učvršćivanje prekidača za stalno bušenje ⑦
- Promena sečiva ⑧
- ! ubacite sečivo do pune dubine sa zupcima okrenutim prema napred ⑨**
- Testerisanje na 45 stepeni ⑩
  - za postizanje najboljih rezultata izaberite režim sečenja "all/curve"
  - ! obezbedite ravno naleganje podnožnih oslonaca na kućište alata (⑩a ili ⑩b)**
- Izbor režima sečenja ⑪
  - 1 pozicija ("all/curve") za precizno sečenje u svim materijalima, pravo i pod uglom
  - 4 pozicija za brzo sečenje u različitim materijalima, pravo sečenje jedino
    - siva = metal
    - modra = plastika
    - braon = tvrdo drvo
    - zeleno = meko drvo
  - ! uvek izaberite "all/curve" kada testerirate osetljiv materijal**
- Podešavanje brzine testerisanja prema materijalu koji se koristi ⑫
  - ! ako alat ne radi sa točkićem D u poziciji 1, izaberite veću brzinu testerisanja i smanjite je lagano dok alat radi**
- Usisavanje prašine ⑬a
  - ! ne koristite vakumski čistač kada sećete metal**

- Otprašivač ⑬b
- Svetlo ⑭
- Rukovanje alatom
  - pre paljenja motora proverite da je prednji deo radne ploče postavljen ravno na radnom mestu
  - držite alat čvrsto obema rukama, tako će te imati punu kontrolu nad alatom sve vreme
- ! **dok radite, uvek držite alat za mesto(a) koje(a) su označena sivom bojom ⑮**
- uverite se da cela površina radne ploče leži čvrsto na radnom mestu
- ! **pre nego što podignete alat sa područja rada, proverite da li je došlo do potpunog prekida rada sečiva**
- prerezi za hlađenje G ② moraju da budu otvoreni

## SAVETI ZA PRIMENU

- Koristite odgovarajuće sečivo ⑯
- ! **koristite samo T-prihvat sečivo ⑰**
- Kada sečete metal stavite sečivo podmazano uljem
- Za bilo koje precizno pravo sečenje, postavite alat sa radnom pločom oslonjenom na vođicu (npr. komad pravog drveta) ⑱
- Pre isecanja napravite rupe ⑲
- Sečenje bez krhotina
  - prekrijte liniju sečenja višeslojnim ili širokim trakama pre sečenja
  - lice materijala je okrenuto naniže na radnom mestu
- Za više saveta pogledajte [www.skil.com](http://www.skil.com)

## ODRŽAVANJE / SERVIS

- Ovaj alat nije namenjen za profesionalnu upotrebu
- Alat i kabl uvek održavajte čistim (posebno otvore za hlađenje G ②)
- ! **pre čišćenja iskopčajte kabl iz utičnice**
- Ako bi alat i pored brižljivog postupka izrade i kontrole nekada otkazao, popravku mora vršiti neki autorizovani servis za SKIL-električne alate
  - pošaljite **nerastavljeni** alat zajedno sa potvrdom o kupovini vašem nabavljaču ili najbližem SKIL servisu (adrese i oznake rezervnih delova možete naći na [www.skil.com](http://www.skil.com))

## ZAŠTITA OKOLINE

- **Električne alate, pribora i ambalaže ne odlažite u kućne otpatke** (samo za EU-države)
  - prema Europskoj direktivi 2012/19/EG o staroj električnoj i elektronskoj opremi i njenoj upotrebi u skladu sa nacionalnim pravom, električni alati koji su istrošeni moraju biti sakupljeni odvojeno i dostavljeni pogonu za reciklažu
  - simbol ⑤ će vas podsetiti na to

## BUKA/VIBRACIJE

- Mereno u skladu sa EN 60745 nivo pritiska zvuka ovog alata iznosi 90 dB(A) a jačina zvuka 101 dB(A) (normalno odstupanje: 3 dB), a vibracija \* m/s<sup>2</sup> (zbir vektora tri pravca; nesigurnost K = 1,5 m/s<sup>2</sup>)
  - \* pri sečenju drvo 8,8 m/s<sup>2</sup>
  - \* pri sečenju metal 13,3 m/s<sup>2</sup>

- Nivo emisije vibracija izmeren je u skladu sa standardizovanim testom datim u EN 60745; on se može koristiti za upoređenje jedne alatke sa drugom, kao i za preliminarnu procenu izloženosti vibracijama pri korišćenju ove alatke za pomenute namene
  - korišćenje alatke u drugačije svrhe ili sa drugačijim ili slabo održavanim nastavcima može značajno **povećati** nivo izloženosti
  - vreme kada je alatka isključena ili kada je uključena, ali se njome ne radi, može značajno  **smanjiti** nivo izloženosti
- ! **zaštite se od posledica vibracija održavanjem alatke i njenih nastavaka, održavajući Vaše ruke toplim i organizovanjem Vaših radnih obrazaca**

(SLO)

## Vbodna žaga

4370

### UVOD

- Orodje je namenjeno za rezanje in izrezovanje iz lesa, plastike, kovine, keramičnih ploščic in gume, za ravne in krive reze za kota 0° in 45°
- Lučka na električnem orodju osvetljuje neposredno delovno območje električnega orodja in ni primerna za razsvetljavo v gospodinjstvu
- To orodje ni namenjeno profesionalni uporabi
- Preberite in shranite navodila za uporabo ③

## TEHNIČNI PODATKI ①

### DELI ORODJA ②

- A Vklonpo/izklonpo stikalo
- B Gumb za blokiranje stikala
- C Ročica za izbiro načina žaganja
- D Kolo za regulacijo hitrosti giba
- E Stikalo za razpihanje prahu
- F Reflektor
- G Ventilacijske reže

## VARNOST

### SPLOŠNA VARNOSTNA NAVODILA

**⚠ OPOZORILO! Preberite vsa opozorila in napotila.** Napake zaradi neupoštevanja spodaj navedenih opozoril in napotil lahko povzročijo električni udar, požar in/ali težke telesne poškodbe. **Vsa opozorila in napotila shranite, ker jih boste v prihodnje še potrebovali.** Pojem "električno orodje", ki se pojavlja v nadaljnjem besedilu, se nanaša na električna orodja z električnim pogonom (z električnim kablom) in na akumulatorska električna orodja (brez električnega kabla).

#### 1) VARNOST NA DELOVNEM MESTU

- Poskrbite, da bo Vaše delovno mesto vedno čisto in urejeno.** Nered ali neosvetljena delovna področja lahko povzročijo nezgode.
- Prosimo, da orodimo, da orodja ne uporabljate v okolju, kjer je nevarnost za eksplozije in v katerem se nahajajo**

gorljive tekočine, plini in prah. Električna orodja povzročajo iskenje, zato se gorljivi prah ali pare lahko vnamejo.

- c) **Ne dovolite otrokom in drugim osebam, da bi se medtem ko delate, približali električnemu orodju.** Druge osebe lahko odvrnejo Vašo pozornost drugam in izgubili boste nadzor nad orodje.

## 2) ELEKTRIČNA VARNOST

- a) **Vtič mora ustrezati električni vtičnici in ga pod nobenim pogojem ne smete spreminjati. Uporaba adapterskih vtičev v kombinaciji z ozemljena orodja ni dovoljena.** Originalni oziroma nespremenjeni vtiči in ustrezne vtičnice zmanjšujejo tveganje električnega udara.
- b) **Izogibajte se telesnemu stiku z ozemljenimi površinami, na primer s cevmi, grelci, štedilniki in hladilniki.** Če je ozemljeno tudi vaše telo, obstaja povečano tveganje električnega udara.
- c) **Zavarujte orodje pred dežjem ali vlago.** Vdor vode v električno orodje povečuje tveganje električnega udara.
- d) **Električnega kabla ne uporabljajte za prenašanje ali obešanje orodja in ne vlecite vtič iz vtičnice tako, da vlečete za kabel. Zavarujte kabel pred vročino, oljem, ostrimi robovi in premikajočimi se deli orodja.** Poškodovani ali prepleteni kabli povečujejo tveganje električnega udara.
- e) **Če z električnim orodjem delate na prostem, uporabljajte izključno kabelski podaljšek, ki je atestiran za delo na prostem.** Uporaba kabelskega podaljška, primerne za delo na prostem, zmanjšuje tveganje električnega udara.
- f) **Če je uporaba električnega orodja v vlažnem okolju neizogibna, uporabljajte prekinjevalec električnega tokokroga.** Prekinjevalca električnega tokokroga zmanjšuje tveganje električnega udara.

## 3) OSEBNA VARNOST

- a) **Bodite zbrani in pazite, kaj delate. Dela z električnim orodjem se lotite razumno. Nikoli ne uporabljajte orodja, če ste utrujeni in če ste pod vplivom mamil, alkohola ali zdravil.** En sam trenutek nepazljivosti pri uporabi orodja ima lahko za posledico resne telesne poškodbe.
- b) **Uporabljajte osebna zaščitna sredstva in vedno nosite zaščitna očala.** Uporaba osebnih zaščitnih sredstev, na primer maske proti prahu, nedrsečih zaščitnih čevljev, zaščitne čelade in glušnikov, odvisno od vrste in uporabe električnega orodja, zmanjšuje tveganje telesnih poškodb.
- c) **Izogibajte se nenamernemu zagonu. Pred priključitvijo električnega orodja na električno omrežje se prepričajte, če je električno orodje izklopljeno.** Prenašanje naprave s prstom na stikalu ali priključitev vklopljenega električnega orodja na električno omrežje je lahko vzrok za nezgodo.
- d) **Pred vklopom orodja odstranite z nje nastavitvena orodja ali vijačni ključ.** Orodje ali ključ, ki se nahajata na vrtečem se delu električnega orodja, lahko povzročita nezgodo.
- e) **Ne precenjujte se in poskrbite za varno stojišče in stalno ravnotežje.** Tako boste lahko v nepričakovani situaciji bolje obvladali orodje.

- f) **Nosite primerno obleko, ki naj ne bo preohlapna. Ne nosite nakita. Lasje, oblačilo in rokavice naj se ne približujejo premikajočim se delom orodja.**

Premikajoči se deli orodja lahko zgrabiyo ohlapno obleko, nakit, ali dolge lase.

- g) **Če je možno na orodje namestiti priprave za odsesavanje in prestrežanje prahu, prepričajte se, ali so le-te priključene in, če jih pravilno uporabljate.**

Uporaba priprave za odsesavanje prahu zmanjšuje zdravstveno ogroženost zaradi prahu.

## 4) RAVNANJE IN NEGA ROČNEGA ORODJA

- a) **Ne preobremenjujte orodja. Za določeno delo uporabljajte električno orodje, ki je predvideno za opravljanje tega dela.** Z ustreznim električnim orodjem boste delo opravili bolje in varneje, ker je bilo v ta namen tudi konstruirano.
- b) **Električno orodje, ki ima pokvarjeno stikalo, ne uporabljajte.** Električno orodje, ki ga ni možno vklopiti ali izklopiti, je nevarno in ga je potrebno popraviti.
- c) **Pred nastavljanjem naprave, zamenjavo delov pribora ali odlaganjem naprave izvlecite vtič iz električne vtičnice in/ali odstranite akumulator.** Ta previdnostni ukrep onemogoča nepredviden zagon orodja.
- d) **Kadar orodja ne uporabljate ga shranjujte izven dosega otrok. Osebam, ki orodja ne poznajo ali niso prebrale teh navodil, orodja ne dovolite uporabljati.** Električna orodja so nevarna, če jih uporabljajo neizkušene osebe.
- e) **Skrbno negujte orodje. Preverite, če premikajoči se deli orodja delujejo brezhibno in če se ne zatikajo, oziroma, če kakšen del orodja ni zlomljen ali poškodovan do te mere, da bi oviral njegovo delovanje. Pred nadaljnjo uporabo je potrebno poškodovani del popraviti.** Vzrok za številne nezgode so ravno slabo vzdrževana električna orodja.
- f) **Rezalna orodja naj bodo ostra in čista.** Skrbno negovana rezalna orodja z ostrimi rezili se manj zatikajo in so bolj vodljiva.
- g) **Električna orodja, pribor, nastavke in podobno uporabljajte v skladu s temi navodili. Pri tem upoštevajte delovne pogoje in vrsto dela, ki ga nameravate opraviti.** Zaradi uporabe električnega orodja v druge, nepredvidene namene, lahko nastanejo nevarne situacije.

## 5) SERVIS

- a) **Popravilo orodja lahko opravi samo usposobljena strokovna oseba in to izključno z originalnimi nadomestnimi deli.** Le tako bo ohranjena nadaljnja varnost orodja.

## VARNOSTNA NAVODILA ZA VBODNE ŽAGE

### SPLOŠNO

- Vedno preverite, če je napetost omrežja enaka napetosti, ki je navedena na tablici orodja (orodje z nazivno napetostjo 230V ali 240V lahko priključite tudi na napetost 220V)

- Pred vsako uporabo preverite pravilno delovanje orodja; v primeru okvare naj orodje takoj popravi strokovnjak v pooblaščenih servisnih delavnicah; nikoli ne odpirajte orodja sami

- **Ne obdelujte materiala, ki vsebuje azbest** (azbest povzroča rakasta obolenja)
- Orodja naj ne bi uporabljale osebe mlajše od 16 let
- Med delom lahko nivo hrupa presega 85 dB(A); uporabljajte zaščito proti hrupu
- Nosite zaščitna očala kadar delate z materiali kjer nastajajo odkruški
- Prah materialov, kot so barve, ki vsebujejo svinec, nekatere vrste lesa, mineralov ali kovin so lahko škodljivi (ob stiku ali vdihavanju lahko prah pri delavcu ali pri drugih prisotnih povzroči alergijsko reakcijo in/ali boleznih dihal); **nosite masko za prah in pri delu uporabljajte napravo za odsesavanje prahu, kjer je le-to možno priključiti**
- Nekatero vrsto prahu so klasificirane kot kancerogene (kot npr. prah hrasta in bukve) še posebno ob sočasni uporabi z dodatki za obdelavo lesa; **nosite masko za prah in pri delu uporabljajte napravo za odsesavanje prahu, kjer je le-to možno priključiti**
- Upoštevajte nacionalne zahteve glede prahu za materiale katere želite obdelovati
- Uporabljajte povsem iztegnjene in varne električne podaljške, z jakostjo 16 amperov
- **Vedno izvlecite električni vtičnik iz vtičnice preden spreminjate nastavitve ali menjate pribor**

#### PRED UPORABO

- Odstranite ovire nad in pod linijo reza že pred začetkom žaganja
- Izogibajte se poškodb zaradi vijakov, žebeljev ali drugih elementov v obdelovancu; odstranite jih pred začetkom dela
- **Zavarujte obdelovanec** (obdelovanec stisnjen v prižemi ali primežu je bolj varen kot v roki)

#### MED UPORABO

- **Električno orodje smete držati le na izoliranem ročaju, če delate na območju, kjer lahko vstavljeno orodje pride v stik s skritimi omrežnimi napeljavami ali lastni omrežni kabel** (stik z napeljavo, ki je pod napetostjo povzroči, da so posledično tudi kovinski deli orodje pod napetostjo in to vodi do električnega udara)
- Kabel naj bo vedno odmaknjen od gibljivih delov stroja; usmerite ga proti zadnjemu delu, stran od stroja
- Če je priključni kabel poškodovan ali se med delom pretrga se ga ne dotikajte, temveč takoj potegnite električni vtičnik iz vtičnice
- Nikoli ne uporabljajte orodja, če je kabel poškodovan; okvaro naj odpravi strokovnjak
- Če pride do električnih ali mehanskih okvar, takoj izklopite stroj in izvlecite vtičnik iz vtičnice
- Pazite, da so roke odmaknjene od žaginega lista kadar je orodje vključeno

#### PRIBOR

- SKIL zagotavlja brezhibno delovanje orodja le z uporabo originalnega dodatnega pribora
- Ne uporabljajte poškodovanih, deformiranih ali topih žaginih listov

#### ZUNANJA UPORABA

- Pri uporabi na prostem, orodje priključite na posebno tokovo zaščito FID z občutljivostjo toka max. 30 mA in uporabljajte podaljševalni kabel, ki je zaščiten proti vlagi

#### PO UPORABI

- Ko orodje postavite v stran, izklopite motor in pazite, da se vsi premikajoči se deli orodja popolnoma zaustavijo
- POJASNILO OZNAK NA ORODJU**
- ③ Pred uporabo preberite navodila za uporabo
  - ④ Dvojna izolacija (ozemljitveni kabel ni potreben)
  - ⑤ Orodja ne odstranjujte s hišnimi odpadki

#### UPORABA

- Vkllop/izklop ⑥
- Aretacija stikala ⑦
- Menjava žaginih listov ⑧
  - ! vsatavite list do konca v orodje, zobje morajo biti obrnjeni naprej ⑨
- Rezanje pod kotom 45° ⑩
  - najboljšo rezultate dosežemo z nastavitvijo "all/curve"
  - ! zagotovite, da je vodilo pritrjeno na ohišje ⑩a ali ⑩b
- Izbira načina rezanja ⑪
  - 1 nastavev ("all/curve") za natančno rezanje v vse materiale; ravno + krivo
  - 4 nastavitve za hitrejše rezanje v različne materiale, samo za ravne reze
    - siva = kovine
    - modra = plastika
    - rjava = trd les
    - zelena = mehak les
  - ! pri rezanju drobljivih in občutljivih materialov vedno izberite položaj "all/curve"
- Nastavite hitrost rezanja glede na material ⑫
  - ! če orodje ne začne rezati ko je gumb D v poziciji 1, je potrebno nastaviti gumb na večjo hitrost dokler ne začne rezati, nato pa prestaviti gumb na nižjo hitrost
- Odsesavanje prahu ⑬a
  - ! ne uporabljajte sesalca pri rezanju kovine
- Razpihovanje prahu ⑬b
- Reflektor ⑭
- Upravljanje orodja
  - pred vklopom orodja mora biti vodilo položeno na površino obdelovanca
  - orodje držite vedno z obema rokama, s tem imate med delom popoln nadzor nad orodjem
  - ! med delom vedno držite orodje za sivo obarvano mesto oprijema ⑮
  - pazite, da je vodilo med delom popolnoma položeno na površino obdelovanca
  - ! prepričajte se, da je žagin list popolnoma zaustavljen, preden orodje odmaknete iz obdelovanca
  - ventilacijske reže G ② morajo biti nepokrite

#### UPORABNI NASVETI

- Uporabljajte samo ustrezne žagine liste ⑯
- ! uporabljajte samo žagine liste s T-stebli ⑰
- Pri žaganju kovin žagin list redno naoljite
- Za natančno ravno rezanje vodite vodilo orodja vzdolž pritrjenega ravnega kosa lesa ⑱
- Pred izrezovanjem izvrtajte luknjo ⑲



- Rezanje drobljivih materialov
  - pred rezanjem prelepitate linijo reza z nekaj plastmi širokega lepilnega traku
  - pri rezanju naj bo boljša stran obdelovanca obrnjena navzdol
- Za več nasvetov glejte pod [www.skil.com](http://www.skil.com)

## VZDRŽEVANJE/SERVISIRANJE

- Orodje ni namenjeno profesionalni uporabi
- Priključni kabel in orodje naj bosta vedno čista (posebej še prezračevalne odprtine G ②)
- ! **izvlecite vtičak iz vtičnice pred čiščenjem**
- Če bi kljub skrbnim postopkoma izdelave in preizkušanja prišlo do izpada delovanja orodja, naj popravilo opravi servisna delavnica, pooblaščen za popravila SKILevih električnih orodij
  - pošljite **nerazstavljeno** orodje skupaj s potrdilom o nakupu pri vašemu prodajalcu v najbližjo SKIL servisno delavnico (naslovi, kot tudi spisek rezervnih delov se nahaja na [www.skil.com](http://www.skil.com))

## OKOLJE

- **Električnega orodja, pribora in embalaže ne odstranjujte s hišnimi odpadki** (samo za države EU)
  - v skladu z Evropsko direktivo 2012/19/EG o odpadnih električni in elektronski opremi in z njenim izvajanjem v nacionalni zakonodaji je treba električna orodja ob koncu njihove življenjske dobe ločeno zbirati in jih predati v postopek okolju prijaznega recikliranja
  - ko je potrebno odstranjevanje, naj vas o načinu spomni simbol ⑤

## HRUP/VIBRACIJA

- Izmerjeno v skladu s predpisom EN 60745 je raven zvočnega pritiska za to orodje 90 dB(A) in jakosti zvoka 101 dB(A) (standarden odmik: 3 dB), in vibracija \* m/s<sup>2</sup> (vektorska vsota treh smeri; netočnost K = 1,5 m/s<sup>2</sup>)
  - \* pri rezanju les 8,8 m/s<sup>2</sup>
  - \* pri rezanju kevin 13,3 m/s<sup>2</sup>
- Raven oddajanja vibracij je bila izmerjena v skladu s standardiziranimi testi, navedenimi v EN 60745; uporabiti jo je mogoče za primerjavo različnih orodij med seboj in za predhodno primerjavo izpostavljenosti vibracijam pri uporabi orodja za namene, ki so omenjeni
  - uporaba orodja za drugačne namene ali uporaba skupaj z drugimi, slabo vzdrževanimi nastavki lahko znatno **poveča** raven izpostavljenosti
  - čas, ko je orodje izklopljeno ali ko teče, vendar z njim ne delamo, lahko znatno **zmanjša** raven izpostavljenosti
- ! **pred posedicami vibracij se zaščitite z vzdrževanjem orodja in pripadajočih nastavkov, ter tako, da so vaše roke tople, vaši delovni vzorci pa organizirani**

EST

## Tikkaaag

4370

## SISSEJUHATUS

- Tööriist on ettenähtud puidu, plastmaterjalide, metalli, keraamiliste plaatide ja kummi saagimiseks, samuti eelnimetatud materjalides väljalõigete teostamiseks; võimalik on teha nii otse- kui figuurlõikeid 0° või 45° nurga all
- Elektrilise tööriista tuli on mõeldud vaid elektrilise tööriista tööpiirkonna valgustamiseks, tuli ei sobi ruumide valgustamiseks koduses majapidamises
- See tööriist pole mõeldud professionaalseks kasutamiseks
- Palun lugege käesolev kasutusjuhend hoolikalt läbi ja hoidke alles ③

## TEHNILISED ANDMED ①

### SEADME OSAD ②

- A Lülitid seadme sisse-/väljalülitamiseks
- B Lülitil lukustusnupp
- C Hoob saagimisasendi valikuks
- D Käigusageduse regulaator
- E Lülitil tolmua väljapuhke sisselülitamiseks
- F Tuli
- G Ohutusavad

## OHUTUS

### ÜLDISED OHUTUSJUHISED

**⚠ TÄHELEPANU! Kõik ohutusnõuded ja juhised tuleb läbi lugeda.** Ohutusnõuete ja juhiste eiramise tagajärjeks võib olla elektrilõik, tulekahju ja/või rasked vigastused. **Hoidke kõik ohutusnõuded ja juhised edasiseks kasutamiseks hoolikalt alles.** Allpool kasutatud mõiste "elektriline tööriist" käib võrgutoitega (toitejuhtmega) elektriliste tööriistade ja akutoitega (ilma toitejuhtmata) elektriliste tööriistade kohta.

### 1) OHUTUSNÕUDED TÖÖPIIRKONNAS

- a) **Hoidke töökoht puhas ja korras.** Segadus või valgustamata tööpiirkonnad võivad põhjustada õnnetusi.
- b) **Ärge kasutage seadet plahvatusohtlikus keskkonnas, kus leidub tolehtlikke vedelikke, gaase või tolmua.** Elektrilistest tööriistadest lööb sädemed, mis võivad tolmua või auru süüdata.
- c) **Kui kasutate elektrilist tööriista, hoidke lapsed ja teised isikud töökohast eemal.** Kui Teie tähelepanu kõrvale juhitakse, võib seade Teie kontrolli alt väljuda.

### 2) ELEKTROOHUTUS

- a) **Seadme pistik peab pistikupesaga sobima.** Pistiku kallal ei tohi teha mingeid muudatusi. Ärge kasutage kaitsemaandusega seadmete puhul adapterpistikuid. Muutmata pistikud ja sobivad pistikupesad vähendavad elektrilõõgi saamise riski.
- b) **Vältige kehakontakti maandatud pindadega, nagu torud, radiaatorid, pliivid ja külmikud.** Kui Teie keha on maandatud, on elektrilõõgi risk suurem.

- c) **Hoidke seadet vihma ja niiskuse eest.** Kui elektriseadmesse on sattunud vett, on elektrilöögi saamise risk suurem.
- d) **Ärge kasutage toitejuhet selleks mitte ettenähtud otstarbel seadme kandmiseks, ülesriputamiseks ega pistiku pistikupesast väljatõmbamiseks.** Hoidke toitejuhet kuumuse, õli, teravate servade ja seadme liikuvate osade eest. Kahjustatud või keerduläinud toitejuhtmed suurendavad elektrilöögi saamise riski.
- e) **Kui töötate elektrilise tööriistaga vabas õhus, kasutage ainult selliseid pikendusjuhtmeid, mida on lubatud kasutada ka välistingimustes.** Välistingimustes kasutamiseks sobiva pikendusjuhtme kasutamine vähendab elektrilöögi saamise riski.
- f) **Kui elektrilise tööriista kasutamine niiskes keskkonnas on vältimatu, kasutage maandusega lekkevoolukaitses.** Maandusega lekkevoolukaitsme kasutamine vähendab elektrilöögi ohtu.

### 3) INIMESTE TURVALISUS

- a) **Olge tähelepanelik, jälgige, mida Te teete, ning toimige elektrilise tööriistaga töötades mõistlikult.** Ärge kasutage seadet, kui olete väsinud või uimastite, alkoholi või ravimite mõju all. Hetkeline tähelepanematus seadme kasutamisel võib põhjustada tõsiseid vigastusi.
- b) **Kandke isikukaitsevahendeid ja alati kaitseprille.** Isikukaitsevahendite, nagu tolmutmask, libisemiskindlad turvajalatsid, kaitsekiiver või kuulmiskaitsevahendid, kandmine – sõltuvalt elektrilise tööriista tüübist ja kasutusala – vähendab vigastuste riski.
- c) **Vältige seadme tahtmatut käivitamist. Enne pistiku ühendamist pistikupesasa, aku ühendamist seadme külge, seadme ülestõstmist ja kandmist veenduge, et elektriline tööriist on välja lülitatud.** Kui hoiate elektrilise tööriista kandmisel sõrme lülil või ühendate vooluvõrku sisselülitatud seadme, võivad tagajärjeks olla õnnetused.
- d) **Enne seadme sisselülitamist eemaldage selle küljest reguleerimis- ja mutrivõtmed.** Seadme pöörleva osa küljes olev reguleerimis- või mutrivõti võib põhjustada vigastusi.
- e) **Ärge hinnake end üle. Võtke stabiilne tööasend ja hoidke kogu aeg tasakaalu.** Nii saate seadet ootamatutes olukordades paremini kontrollida.
- f) **Kandke sobivat rõivastust. Ärge kandke laiu riideid ega ehteid. Hoidke juuksed, rõivad ja kindad seadme liikuvatest osadest eemal.** Lotendavad riided, ehted või pikad juuksed võivad sattuda seadme liikuvate osade vahele.
- g) **Kui on võimalik paigaldada tolmueemaldus- ja tolmutkogumis-seadiseid/seadmeid, veenduge, et need oleksid seadmega ühendatud ja et neid kasutataks õigesti.** Tolmueemaldusseadise kasutamine vähendab tolmust põhjustatud ohte.

### 4) ELEKTRILISTE TÖÖRIISTADE HOOLIKAS KÄSITSEMIN JA KASUTAMINE

- a) **Ärge koormake seadet üle. Kasutage töö tegemiseks selleks ettenähtud elektrilist tööriista.** Sobiva elektrilise tööriistaga töötate paremini ja turvalisemalt ettenähtud võimsusvahemikus.

- b) **Ärge kasutage elektrilist tööriista, mille lüliti on rikkis.** Elektriline tööriist, mida ei ole enam võimalik sisse ja välja lülitada, on ohtlik ning seda tuleb remontida.
- c) **Tõmmake pistik pistikupesast välja ja/või eemaldage seadmeist aku enne seadme reguleerimist, tarvikute vahetamist ja seadme ärapanekut.** See ettevaatusabinõu väldib seadme tahtmatut käivitamist.
- d) **Kasutusvälisel ajal hoidke elektrilisi tööriistu lastele kättesaamatult. Ärge laske seadet kasutada isikutel, kes seda ei tunne või pole siintoodud juhiseid lugenud.** Kogenematute kasutajate käes kujutavad elektrilised tööriistad ohtu.
- e) **Hoolitsege seadme eest. Kontrollige, kas seadme liikuvad osad funktsioneerivad korralikult ja ei kiildu kinni, ning ega mõned osad ei ole katki või sel määral kahjustatud, et võiksid mõjutada seadme töökindlust. Laske kahjustatud osad enne seadme kasutamist parandada.** Paljude õnnetuste põhjuseks on halvasti hooldatud elektrilised tööriistad.
- f) **Hoidke lõiketarvikud teravad ja puhtad.** Hoolikalt hoitud, teravate lõikeservadega lõiketarvikud kiiduvad harvemini kinni ja neid on lihtsam juhtida.
- g) **Kasutage elektrilist tööriista, lisavarustust, tarvikuid jne vastavalt siintoodud juhistele. Arvestage seejuures töötingimuste ja teostatava töö iseloomuga.** Elektriliste tööriistade kasutamine mitte ettenähtud otstarbel võib põhjustada ohtlikke olukordi.

### 5) TEENINDUS

- a) **Laske seadet parandada ainult kvalifitseeritud spetsialistidel ja ainult originaalvaruosadega.** Nii tagate seadme püsimise turvalisena.

### OHUTUSJUHISED TIKKSAAGIDE KOHTA

#### ÜLDIST

- Kontrollige alati, kas võrgupinge ühtib tööriista andesildil toodud pingega (andesildil toodud 230V või 240V korral võib tööriistad kasutada ka 220V võrgupinge puhul)
- Kontrollige tööriista funktsioneerimist enne igakordset kasutamist ning laske see rikke korral koheselt remonditöökojas parandada; ärge kunagi avage tööriista ise
- Asbestisisaldava materjali töötlemine on keelatud** (asbest võib tekitada vähki)
- Tööriista kasutaja peab olema vähemalt 16 aastat vana
- Töötamise ajal võib müra tase ületada 85 dB(A); kandke kuulmiskaitsevahendeid
- Materjalide töötlemisel, millega kaasneb laastude teke, kandke kaitseprille
- Värviga kaetud juhtmed, mõned puiduliigid, mineraalid ja metall eraldavad tolmu, mis võib olla kahjulik (kokkupuude tolmutega või selle sissehingamine võib seadme kasutajal või läheduses viibival inimesel põhjustada allergilisi reaktsioone ja/või hingamisteede haigusi); **kandke tolmutmaski ja vajaduse korral töötage külgeühendatava tolmueemaldusseadmega**
- Teatud tüüpi tolm on klassifitseeritud kantserogeensena (nt tammest ja kasest eralduv tolm), eriti koos puidu niiskuse reguleerimiseks kasutatavate lisanditega; **kandke tolmutmaski ja vajaduse korral töötage külgeühendatava tolmueemaldusseadmega**

- Erinevate materjalide töötlemisel tekkiva tolmu käitlemisel tuleb järgida kehtivaid nõudeid
- Pikendusjuhtmete kasutamisel jälgige, et juhe oleks lõpuni lahti keritud ja vastaks 16 A voolutugevusele
- **Enne seadme reguleerimist või tarviku vahetust eemaldage seade vooluvõrgust (tõmmake pistik pistikupesast välja)**

#### ENNE KASUTAMIST

- Enne saagimise alustamist eemaldage kõik nii töödeldava materjali peal- kui allpool lõikejoonel asuvad takistused
- Vältige töödeldavas esemes olevatest kruvidest, naeltest vms põhjustatud kahjustusi; eemaldage need enne töö alustamist
- **Fikseerige toorik** (fiksaatoriga kinnitatud või kruustangide vahele pandud toorik püsib kindlamini paigal kui lihtsalt käega hoides)

#### KASUTAMISE AJAL

- **Kui teostate töid, mille puhul võib tarvik tabada varjatud elektrijuhtmeid või seadme enda toitejuhet, hoidke seadet ainult isoleeritud käepidemetest** (kontakt pinge all oleva elektrijuhtmega võib pingestada seadme metallosad ja põhjustada elektrilöögi)
- Vältige toitejuhtme kokkupuutumist seadme pöörlevate osadega; hoidke toitejuhet alati tööriistast eemal, tagapool
- Kui toitejuhe saab töötamisel ajal kahjustada või see lõigatakse läbi, ärge toitejuhet puutuge, vaid eemaldage koheselt pistik vooluvõrgust
- Ärge kunagi kasutage kahjustatud toitejuhtmega tööriista; laske toitejuhe remonditöökojas välja vahetada
- Seadme elektrilise või mehhaanilise häire korral lülitage seade viivitamatult välja ja eemaldage pistik vooluvõrgust
- Kui tööriist on sisse lülitatud, hoidke käed saelehest eemal

#### TARVIKUD

- SKIL tagab seadme häireteta töö üksnes originaaltarvikute kasutamisel
- Keelatud on kasutada rebenenud või nürisid, samuti deformeerunud saelehti

#### KASUTAMINE VÄLISLINGIMUSTES

- Tööde teostamisel välitingimustes tuleb kasutada rikkevoolu-kaitselülitit (FI max 30 mA käivitusvool) ning ainult välitingimustes kasutamiseks ette nähtud ja veepriismete eest kaitsitud pistikupesaga pikendusjuhet

#### PÄRAST KASUTAMIST

- Enne tööriista juurest lahkumist lülitage see välja ning oodake, kuni selle liikuvad osad on täielikult seiskunud

#### TÖÖRIISTAL OLEVATE SÜMBOLITE SELGITUS

- ③ Enne kasutamist tutvuge kasutusjuhendiga
- ④ Topeltisolatsioon (maandusjuhe pole vajalik)
- ⑤ Ärge visake kasutuskölbmatuks muutunud tööriista ära koos olmejäätmetega

## KASUTAMINE

- Sisse/välja ⑥
- Lülitit lukustamine pidevaks tööks ⑦
- Saelehe vahetus ⑧
- ! **paigaldage saeleht, hambad ettepoole, täies ulatuses** ⑨

- Saagimine 45° nurga all ⑩
  - parima tulemuse saavutamiseks valige “all/curve” saagimisrežiim
  - ! **veenduge, et alusplaat asetseb tasaselt seadme korpusele** (⑩a või ⑩b)
- Saagimisasendi valik ⑪
  - 1 asend (“all/curve”) täpseks saagimiseks kõikides materjalides, otse- ja figuurlõiked
  - 4 asendit kiireks saagimiseks erinevates materjalides, ainult otselõiked
    - hall = metall
    - sinine = plast
    - pruun = kõva puit
    - roheline = pehme puit
  - ! **kergesti lõhestuva materjali saagimisel valige alati asend “all/curve”**
- Käigusagedus valik vastavalt materjalile ⑫
  - ! **kui seade ei liigu regulaatorist D asendisse 1, valida kõrgem käigusagedus ja vähendada käigusagedust siis, kui seade töötab**
- Tolmu eemaldamine ⑬a
  - ! **metalli saagimisel ei tohi tolmu eemaldust kasutada**
- Tolmu väljapuhje ⑬b
- Tuli ⑭
- Seadme kasutamine
  - enne tööriista sisselülitamist peab alusplaadi esikülj toetuma tasaselt töödeldavale esemele
  - tööriista kindlaks kontrollimiseks hoidke seda alati tugevalt kahe käega
  - ! **töötamise ajal hoidke tööriista kinni korpuse ja käepideme halli värvi osadest** ⑮
  - veenduge, et alusplaat toetub kogu oma pinnaga kindlalt töödeldavale esemele
  - ! **enne tööriista eemaldamist toorikust veenduge, et saeketas on täielikult seiskunud**
  - hoidke õhutusavad G ② kinnikatmata

## TÖÖJUHISED

- Kasutage sobivaid saelehti ⑯
  - ! **kasutage ainult T-kujulise varreosaga saelehti** ⑰
- Metallit saagimisel määrige saelehte regulaarselt õliga
- Täpse lõikejoone saamiseks liigutage tööriista alusplaati piki sirge servaga puutükki ⑱
- Enne väljalõigete tegemise puurige auk ette ⑲
- Saagimine materjali kahjustamata
  - enne töö algust katke lõikejoon mitme kihi laia kleepplindiga
  - asetage töödeldava eseme ilusam (pealmine) pool alati allapoole
- Rohkem nõuandeid leiate aadressil [www.skil.com](http://www.skil.com)

## HOOLDUS/TEENINDUS

- Tööriist pole mõeldud professionaalseks kasutamiseks
- Hoidke seade ja toitejuhe alati puhtad (eriti õhutusavad G ②)
- ! **enne puhastamist eemaldage seade vooluvõrgust**
- Tööriist on hoolikalt valmistatud ja testitud; kui tööriist sellest hoolimata rikki läheb, tuleb see lasta parandada SKILI elektriliste käsitööriistade volitatud remonditöökojas

- toimetage **lahtimonteerimata** seade koos ostukviitungiga tarnijale või lähimasse SKILi lepingulisse töökotta (aadressid ja tööriista varuosade joonise leiata aadressil [www.skil.com](http://www.skil.com))

## KESKKOND

- **Ärge visake kasutuskõlbmatuks muutunud elektrilisi tööriistu, lisatarvikuid ja pakendeid ära koos olmejäätmetega** (üksnes EL liikmesriikidele)
  - vastavalt Euroopa Parlamendi ja nõukogu direktiivile 2012/19/EÜ elektri- ja elektroonikaseadmete jäätmete kohta ning direktiivi nõuete kohaldamisele liikmesriikides tuleb kasutuskõlbmatuks muutunud elektrilised tööriistad koguda eraldi ja keskkonnasäästlikult korduvkasutada või ringlusse võtta
  - seda meenutab Teile sümbol ⑤

## MÜRA/VIBRATSIOON

- Vastavalt kooskõlas normiga EN 60745 läbi viidud mõõtmistele on tööriista helirõhk 90 dB(A) ja helitugevus 101 dB(A) (standardkõrvalekalle: 3 dB), ja vibratsioon \* m/s<sup>2</sup> (kolme telje vektorsumma; mõõtemääramatus K = 1,5 m/s<sup>2</sup>)
    - \* puidu saagimisel 8,8 m/s<sup>2</sup>
    - \* metalli saagimisel 13,3 m/s<sup>2</sup>
  - Tekkiva vibratsiooni tase on mõõdetud vastavalt standardis EN 60745 kirjeldatud standarditud testile; seda võib kasutada tööriistade võrdlemiseks ja tööriista kasutamisel ettenähtud töödeks esineva vibratsiooni esialgseks hindamiseks
    - tööriista kasutamisel muudeks rakendusteks või teiste/ halvasti hooldatud tarvikute kasutamisel võib vibratsioon märkimisväärselt **suureneda**
    - ajal, kui tööriist on väljalülitatud või on küll sisselülitatud, kuid tegelikult seda ei kasutata, võib vibratsioon märkimisväärselt **väheneda**
- ! enda kaitsmiseks vibratsiooni eest hooldage tööriista ja selle tarvikuid korralikult, hoidke oma käed soojad ja tagage sujuv töökorraldus**

LV

## Figürzāģis

4370

## IEVADS

- Šis instruments ir paredzēts zāģēšanai un izzāģēšanai kokā, plastmasā, metālā, keramikas plāksnēs un gumijā un ir piemērots taisnu, lokveida un slīpo zāģējumu (ar zāģējuma leņķi 0° un 45°) veidošanai
- Šajā elektroinstrumentā iebūvēta apgaismošanas spuldze ir paredzēta darba vietas izgaismošanai, bet ne apgaismojuma nodrošināšanai dzīvojamajās telpās
- Šis instruments nav paredzēts profesionālai lietošanai
- Izlasiet un saglabājiet šo pamācību ③

## TEHNISKE PARAMETRI ①

## INSTRUMENTA ELEMENTI ②

- A Ieslēdzējs
- B Poga ieslēdzēja fiksēšana
- C Svira zāģēšanas režīma pārlēgšanai
- D Ritenītis maksimālā darbības ātruma iestādīšanai
- E Slēdzis putekļu nopūtei
- F Apgaismošanas spuldze
- G Ventilācijas atveres

## DROŠĪBA

### VISPĀRĒJIE DARBA DROŠĪBAS NOTEIKUMI

**⚠ UZMANĪBU!** Rūpīgi izlasiet visus drošības noteikumus. Šeit sniegto drošības noteikumu un norādījumu neievērošana var izraisīt aizdegšanos un būt par cēloni elektriskajam triecienam vai nopietnam savainojumam. **Pēc izlasīšanas uzglabājiet šos noteikumus turpmākai izmantošanai.** Turpmākajā izklāstā lietotais apzīmējums "elektroinstrumentus" attiecas gan uz tīkla elektroinstrumentiem (ar elektrokabeļi), gan arī uz akumulatora elektroinstrumentiem (bez elektrokabeļa).

### 1) DROŠĪBA DARBA VIETĀ

- a) **Sekojiēt, lai darba vieta būtu tīra un sakārtota.** Nekārtīgā darba vietā vai sliktā apgaismojumā var viegli notikt nelaimes gadījums.
- b) **Nelietojiet elektroinstrumentu eksplozīvu vai ugunsnedrošu vielu tuvumā un vietās ar paaugstinātu gāzes vai putekļu saturu gaisā.** Darba laikā instruments nedaudz dzirksteļo, un tas var izsaukt viegli degošu putekļu vai tvaiku aizdegšanos.
- c) **Lietojot elektroinstrumentu, nelaujiet nepiederošām personām un jo īpaši bērniem tuvoties darba vietai.** Citu personu klātbūtne var novērst uzmanību, un tā rezultātā jūs varat zaudēt kontroli pār instrumentu.

### 2) ELEKTRODROŠĪBA

- a) **Elektroinstrumenta kontaktakšai jābūt piemērotai elektrotīkla kontaktligzdai. Kontaktakšas konstrukciju nedrīkst nekādā veidā mainīt.** Nelietojiet kontaktakšas salāgotājus, ja elektroinstrumentus caur kabeli tiek savienots ar aizsargzēmējuma ķēdi. Neizmaiņātas konstrukcijas kontaktakša, kas piemērota kontaktligzdai, ļauj samazināt elektriskā trieciena saņemšanas risku.
- b) **Darba laikā nepieskarieties saņemtiem priekšmetiem, piemēram, caurulēm, radiatoriem, plītiņiem vai ledusskapjiem.** Pieskaroties saņemtiem virsmām, pieaug risks saņemt elektrisko triecienu.
- c) **Nelietojiet elektroinstrumentu lietus laikā, neturiet to mitrumā.** Mitrumam iekļūstot instrumentā, pieaug risks saņemt elektrisko triecienu.
- d) **Nenesiet un nepiekariet elektroinstrumentu aiz elektrokabeļa. Neraujiet aiz kabeļa, ja vēlaties atvienot instrumentu no elektrotīkla kontaktligzdas. Sargājiet elektrokabeļi no karstuma, eļļas, asām šķautnēm un instrumenta kustīgajām daļām.** Bojāts vai samēzglājies elektrokabeļis var būt par cēloni elektriskajam triecienam.
- e) **Darbinot elektroinstrumentu ārpus telpām, izmantojiet tā pievienošanai vienīgi tādus pagarinātājkabeļus, kuru lietošana ārpus telpām ir**

atļauta. Lietojot elektrokabēli, kas piemērots darbam ārpus telpām, samazinās risks saņemt elektrisko triecienu.

- f) **Ja elektroinstrumentu tomēr nepieciešams lietot vietās ar paaugstinātu mitrumu, izmantojiet tā pievienošanai noplūdes strāvas aizsargreleju.** Lietojot noplūdes strāvas aizsargreleju, samazinās risks saņemt elektrisko triecienu.

### 3) PERSONISKĀ DROŠĪBA

- a) **Darba laikā saglabāriet paškontroli un rīkojieties saskaņā ar veselo saprātu. Pārtrauciet darbu, ja jūtaties noguris vai atrodaties alkohola, narkotiku vai medikamentu izraisītā reibumā.** Strādājot ar elektroinstrumentu, pat viens neuzmanības mirklis var būt par cēloni nopietnam savainojumam.
- b) **Izmantojiet individuālos darba aizsardzības līdzekļus un darba laikā vienmēr nēsājiet aizsargbrilles.** Individuālo darba aizsardzības līdzekļu (putekļu maskas, neslidošu apavu un aizsargķiveres vai ausu aizsargu) pielietošana atbilstoši elektroinstrumenta tipam un veicamā darba raksturam ļauj izvairīties no savainojumiem.
- c) **Nepieļaujiet elektroinstrumenta patvaļīgu ieslēgšanos. Pirms elektroinstrumenta pievienošanas elektrotīklam, akumulatora ievietošanas vai izņemšanas, kā arī pirms elektroinstrumenta pārņemšanas pārliecinieties, ka tas ir izslēgts.** Pārnēsot elektroinstrumentu, ja pirksts atrodas uz ieslēdzēja, kā arī pievienojot to elektrobarošanas avotam laikā, kad elektroinstrumentis ir ieslēgts, var viegli notikt nelaimes gadījums.
- d) **Pirms instrumenta ieslēgšanas neaizmirstiet izņemt no tā regulējošos instrumentus vai skrūvjatslēgas.** Patronatslēga vai skrūvjatslēga, kas instrumenta ieslēgšanas brīdī nav izņemta no tā, var radīt savainojumu.
- e) **Strādājot ar elektroinstrumentu, ieturiet stingru stāju. Darba laikā vienmēr saglabāriet līdzsvaru un centieties nepaslidēt.** Tas atvieglos instrumenta vadību neparedzētās situācijās.
- f) **Izvēlieties darbam piemērotu apģērbu. Darba laikā nenēsājiet brīvi plandošas drēbes un rotaslietas. Netuviniet matus, apģērbu un aizsargcimdus instrumenta kustīgajām daļām.** Vaļīgas drēbes, rotaslietas un gari mati var iķerties instrumenta kustīgajās daļās.
- g) **Ja elektroinstrumenta konstrukcija ļauj tam pievienot ārējo putekļu uzsūkšanas vai savākšanas/uzkrāšanas ierīci, sekojiet, lai tā tiktu pievienota elektroinstrumentam un pareizi darbotos.** Pielietojot putekļu uzsūkšanu vai savākšanu/uzkrāšanu, samazinās to kaitīgā ietekme uz strādājošās personas veselību.
- ### 4) ELEKTROINSTRUMENTU LIETOŠANA UN APKOPE
- a) **Nepārslogojiet elektroinstrumentu. Katram darbam izvēlieties piemērotu instrumentu.** Elektroinstrumentus darbosies labāk un drošāk pie nominālās slodzes.
- b) **Nelietojiet elektroinstrumentu, ja ir bojāts tā ieslēdzējs.** Elektroinstrumentis, ko nevar ieslēgt un izslēgt, ir bīstams lietošanai un to nepieciešams remontēt.
- c) **Pirms elektroinstrumenta apkopes, regulēšanas vai darbinstrumenta nomainīšanas atvienojiet tā**

**kontaktdakšu un barojošā elektrotīkla vai izņemiet no tā akumulatoru.** Šādi iespējams samazināt elektroinstrumenta nejaušas ieslēgšanas risku.

- d) **Elektroinstrumentu, kas netiek darbināts, uzglabāriet piemērotā vietā, kur tas nav sasniedzams bērniem un personām, kuras neprot rīkoties ar instrumentu.** Ja elektroinstrumentu lieto nekompetentas personas, tas var apdraudēt cilvēku veselību.
- e) **Rūpīgi veiciet elektroinstrumenta apkalpošanu. Pārbaudiet, vai kustīgās daļas darbojas bez traucējumiem un nav iespiļētas, vai kāda no daļām nav salauzta vai bojāta, vai katra no tām pareizi funkcionē un pilda tai paredzēto uzdevumu. Nodrošiniet, lai bojātās daļas tiktu savlaicīgi nomainītas vai remontētas pilnvarotā remontu darbnīcā.** Daudzi nelaimes gadījumi notiek tāpēc, ka elektroinstrumentis pirms lietošanas nav pienācīgi apkalpots.
- f) **Savlaicīgi notīriet un uzasiniet griezošos darbinstrumentus.** Rūpīgi kopti instrumenti, kas apgādāti ar asiem griezējinstrumentiem, ļauj strādāt daudz ražīgāk un ir vieglāk vadāmi.
- g) **Lietojiet vienīgi tādus elektroinstrumentus, papildpiederumus, darbinstrumentus utt., kas paredzēti attiecīgajam pielietojuma veidam. Bez tam jāņem vērā arī konkrētie darba apstākļi un pielietojuma īpatnības.** Elektroinstrumentu lietošana citiem mērķiem, nekā to paredzējusi ražotājfirma, ir bīstama un var novest pie neparedzamām sekām.
- ### 5) APKALPOŠANA
- a) **Nodrošiniet, lai Instrumenta remontu veiktu kvalificēts personāls, nomainītai izmantojot oriģinālās rezerves daļas un piederumus.** Tikai tā iespējams panākt instrumenta ilgstošu un nevainojamu darbību bez atteikumiem.

## DARBA DROŠĪBAS NOTEIKUMI FIGŪRZĀĒIEM

### VISPĀRĒJA INFORMĀCIJA

- Vienmēr pārliecinieties, ka spriegums, kas uzrādīts uz instrumenta marķējuma plāksnītes, atbilst padeves spriegumam elektrotīklā (230V vai 240V spriegumam paredzētie instrumenti var darboties arī no 220V elektrotīkla)
- Ik reizi pirms instrumenta izmantošanas pārbaudiet tā darbību un, konstatējot bojājumu, nekavējoties nododiet to kvalificētam speciālistam remonta veikšanai; neatveriet instrumenta korpusu paša spēkiem
- **Neapstrādājiet materiālus, kas satur azbestu** (azbestam piemīt kancerogēnas īpašības)
- Šo instrumentu nedrīkst izmantot personas, kas jaunākas par 16 gadiem
- Darba laikā instrumenta radītā trokšņa līmenis var pārsniegt 85 dB(A); lietojiet ausu aizsargus
- Ja materiāla apstrādes gaitā veidojas skaidas, uzvelciet aizsargbrilles
- Materiāla (piemēram, svina saturošas krāsas, dažu koka šķirņu, minerālu un metāla) putekļi var būt kaitīgi (saskare ar putekļiem vai to ieelpošana var izraisīt alerģiskas reakcijas un/vai elpošanas ceļu saslimšanas operatoram vai klātesošajiem); **izmantojiet putekļu masku un putekļsūcēju, ja to iespējams pievienot**

- Dažu veidu putekļi ir klasificēti kā kancerogēni (piemēram, ozola vai dižskābarža putekļi), jo īpaši apvienojumā ar koksnes kondicionēšanas piedevām; **izmantojiet putekļu masku un putekļsūcēju, ja to iespējams pievienot**
- Ievērojiet ar putekļu savākšanu saistītos nacionālos noteikumus, kas attiecas uz apstrādājamiem materiāliem
- Lietojiet pilnīgi attīstus un drošus pagarinātājkabeļus, kas paredzēti 16 A strāvai
- **Pirms instrumenta regulēšanas vai piederumu nomaiņas atvienojiet to no barojošā elektrotīkla**

#### PIRMS DARBA UZSĀKŠANAS

- Pirms zāģēšanas nodrošiniet, lai zāģējuma trase no abām zāģējamā priekšmeta pusēm tiktu atbrīvota no jebkāda veida šķēršļiem
- Izvairieties no instrumenta bojājumiem, ko var radīt apstrādājamajā priekšmetā esošās skrūves, naglas vai citi līdzīgi objekti; pirms darba uzsākšanas atbrīvojiet apstrādājamo materiālu no šādiem priekšmetiem
- **Nostipriniet apstrādājamo detaļu** (to ir drošāk nostiprināt ar spailēm vai skrūvspilēm, nevis turēt rokā)

#### DARBA LAIKĀ

- **Veicot darbu, kura laikā darbinstruments var skart slēptus elektriskos vadus vai paša instrumenta elektrokabeļi, turiet instrumentu tikai aiz izolētajām virsmām** (darbinstrumentam skarot spriegumnesošus vadus, spriegums nonāk arī uz instrumenta metāla daļām un var būt par cēloni elektriskajam triecienam)
- Darba laikā sekojiet, lai elektrokabeļis atrastos drošā attālumā no instrumenta kustīgajām daļām un stieptos prom no darba vietas virzienā uz aizmuguri
- Ja darba laikā tiek pārgriezts vai citādi mehāniski bojāts instrumenta elektrokabeļis, nepieskarieties tam, bet nekavējoties atvienojiet elektrokabeļa kontaktdakšu no barojošā elektrotīkla
- Neizmantojiet instrumentu, ja tam ir bojāts elektrokabeļis; tā nomaīņu drīkst veikt tikai pieredzējis speciālists
- Elektriska vai mehāniska rakstura kļūmes gadījumā nekavējoties izslēdziet instrumentu un atvienojiet kabeļa kontaktdakšu no elektrotīkla
- Darba laikā netuviniet rokas figūrzāģa asmeņim

#### PAPILDPIEDERUMI

- Firma SKIL garantē instrumenta nevainojamu darbību tikai tad, ja tiek lietoti oriģinālie papildpiederumi
- Neizmantojiet ielaisājušus, deformētus vai neasus zāģa asmeņus

#### STRĀDĀJOT ĀRPUS TELPĀM

- Ja instrumentu tiek izmantots ārpus telpām, pievienojiet to elektriskajam spriegumam izmantojot noplūdes strāvas releju - pārtraucēju, kas nostrādā, ja strāva instrumenta aizsargzemejuma ķēdē pārsniedz 30 mA; ārpus telpām izmantojiet tikai šādai lietošanai paredzētus elektrotīkla pagarinātājkabeļus, kuri ir apgādāti ar ūdensdrošu kontaktligzdu

#### PĒC DARBA PABEIGŠANAS

- Pirms instrumenta novietošanas izslēdziet tā elektrodzinēju un nogaidiet, līdz ir pilnīgi apstājušās visas instrumenta kustīgās daļas

#### UZ INSTRUMENTA ATTĒLOTO SIMBOLU

##### SKAIDROJUMS

- ③ Pirms izstrādājuma lietošanas izlasiet tā lietošanas pamācību
- ④ Divkārsa izolācija (nav jālieto zemējuma vads)
- ⑤ Neizmetiet nolietoto instrumentu sadzīves atkritumu tvērtņē

#### DARBS

- Ieslēgšana/izslēgšana ⑥
- Instrumenta ieslēgšana ilgstošai darbībai, fiksējot tā ieslēdzēju ⑦
- Zāģa asmeņu nomaīņa ⑧
  - ! **ielieciet asmeni līdz galam ar zobiem uz priekšu** ⑨
- Zāģējumu veidošana 45° leņķī ⑩
  - lai panāktu labu darba kvalitāti, izvēlieties zāģēšanas režīmu "all/curve"
  - ! **nodrošiniet, lai figūrzāģa pamatne pilnībā balstītos pret instrumenta korpusu** (⑩a vai ⑩b)
- Zāģēšanas režīma izvēle ⑪
  - 1 zāģēšanas režīms ("all/curve") paredzēts precīzai zāģēšanai, veidojot taisnus un lokveida zāģējumus visu veidu materiālos
  - 4 zāģēšanas režīma iestādījumi paredzēti ātrai zāģēšanai, veidojot taisnus zāģējumus šādos materiālos
    - pelēks = metālam
    - zils = plastmasai
    - brūns = cietai koksnei
    - zaļš = mīkstai koksnei
  - ! **ja tiek apstrādāts materiāls, kam raksturīga daļiņu atšķelšanās, izvēlieties zāģēšanas režīmu "all/curve"**
- Maksimālā darbības ātruma iestādīšana atbilstoši apstrādājamā materiāla īpašībām ⑫
  - ! **ja figūrzāģis nedarbojas pie iestādītā ātruma, kas atbilst rītenīša D stāvoklim 1, iestādiet maksimālo darbības ātrumu un darba gaitā pakāpeniski to samaziniet**
- Putekļu uzsūkšana ⑬a
  - ! **neizmantojiet putekļsūcēju, apstrādājot metālu**
- Putekļu nopūte ⑬b
- Apgaismošanas spuldze ⑭
- Instrumenta darbināšana
  - pirms instrumenta ieslēgšanas, novietojiet tā pamatnes priekšējo daļu uz apstrādājamā priekšmeta
  - lai instrumentu varētu droši vadīt, turiet to stingri ar abām rokām
  - ! **darba laikā vienmēr turiet instrumentu aiz pelēkās krāsas noturvirsmas(ām)** ⑮
  - nodrošiniet, lai instrumenta pamatne darba laikā pilnībā balstītos uz apstrādājamā priekšmeta
  - ! **pirms instrumenta pacelšanas no zāģējamā priekšmeta nogaidiet, līdz tā asmens pilnīgi apstājas**
  - nenosprostojiet instrumenta ventilācijas atveres G ⑯

## PRAKTISKI PADOMI

- Lietojiet apstrādājamā materiāla īpašībām piemērotus zāga asmeņus ⑩
- ! lietojiet tikai zāga asmeņus ar T-veida kātu ⑪**
- Zāgējot metālu, periodiski ieeļļojiet zāga asmeni
- Lai precīzi veiktu taisnu zāgējumu, virziet figūrzāga pamatni gar taisnas koka līstes malu ⑫
- Lai veiktu izzāgēšanu, izveidojiet apstrādājamajā priekšmetā priekšurbumu ⑬
- Zāgēšana bez apstrādājamā materiāla daļiņu atšķelšanās
  - pirms zāgēšanas pārklājiet zāgējuma līniju ar vairākiem slāņiem platas līmlentes
  - novietojiet apstrādājamo priekšmetu tā, lai zāgēšanas laikā dekoratīvā puse būtu vērsta leju
- Papildu ieteikumi ir sniegti datortīkla vietnē [www.skil.com](http://www.skil.com)

## APKALPOŠANA / APKOPE

- Šis darbarīks nav paredzēts profesionālai lietošanai
- Uzturiet tīru instrumentu un elektrokabeli (īpaši ventilācijas atveres G 2)
- ! pirms instrumenta tīrīšanas atvienojiet to no elektrotīkla**
- Ja, neraugoties uz augsto izgatavošanas kvalitāti un rūpīgo pēcražošanas pārbaudi, instruments tomēr sabojājas, tas jānogādā remontam firmas SKIL pilnvarotā elektroinstrumentu remonta darbnīcā
  - nogādājiet instrumentu **neizjauktā veidā** kopā ar iegādes dokumentiem tuvākajā tirdzniecības vietā vai firmas SKIL pilnvarotā pēciegādes apkalpošanas un remonta iestādē (adreses un instrumenta apkalpošanas shēma ir sniegta interneta vietnē [www.skil.com](http://www.skil.com))

## APKĀRTĒJĀS VIDES AIZSARDZĪBA

- Neizmetiet elektroiekārtas, piederumus un iesaiņojuma materiālus sadzīves atkritumos (tikai ES valstīm)**
  - saskaņā ar Eiropas Savienības direktīvu 2012/19/ES par nolietotajām elektriskajām un elektroniskajām iekārtām un tās atspoguļojumiem nacionālajā likumdošanā, nolietotās elektroiekārtas ir jāsavāc, jāizjauca un jānogādā atreizējai pārstrādei apkārtējai videi nekaitīgā veidā
  - Īpašs simbols ⑤ atgādina par nepieciešamību izstrādājumus izmantot videi nekaitīgā veidā

## TROKSNIS/VIBRĀCIJA

- Saskaņā ar standartu EN 60745 noteiktais instrumenta radītā trokšņa skaņas spiediena līmenis ir 90 dB(A) un skaņas jaudas līmenis ir 101 dB(A) (pie tipiskās izkliedes 3 dB), un vibrācijas paātrinājums ir  $\ast$  m/s<sup>2</sup> (vektoru summa trijos virzienos; izkliede K = 1,5 m/s<sup>2</sup>)
  - $\ast$  zāgējot kokā 8,8 m/s<sup>2</sup>
  - $\ast$  zāgējot metālu 13,3 m/s<sup>2</sup>
- Vibrācijas līmenis ir noteikts, izmantojot standartā EN 60745 paredzēto procedūru; to var izmantot, lai salīdzinātu instrumentus un provizoriski izvērtētu vibrācijas iedarbību, lietojot instrumentu minētajiem mērķiem

- instrumenta izmantošana citiem mērķiem vai ar citiem vai nepietiekami koptiem piederumiem var ievērojami **palielināt** kopējo vibrācijas iedarbības pakāpi
- laika periodi, kad instruments ir izslēgts vai arī ir ieslēgts, taču darbs ar to nenotiek, var ievērojami **samazināt** kopējo vibrācijas iedarbības pakāpi
- ! pasargājiet sevi no vibrācijas iedarbības, veicot instrumenta un tā piederumu tehnisko apkopi, novēršot roku atdzišanu un pareizi organizējot darbu**

LT

## Siaurapjūklas

4370

## ĪVADAS

- Šiu prietaisu galima atlikti pjuvius bei išpjovimus medienoje, plastmasėje, metale, keraminėse plytelėse bei gumoje; gali būti atliekami tiesūs arba figūriniai pjuviai - statmenai arba 45° kampu
- Šio elektrinio įrankio šviesa skirta tiesioginei jo darbo sričiai apšviesti ir netinka buitinių patalpų apšvietimui
- Šis prietaisas nes skirtas profesionaliam naudojimui
- Perskaitykite ir išsaugokite šią naudojimo instrukciją ③

## TECHNINIAI DUOMENYS ①

### PRIETAISO ELEMENTAI ②

- A Įjungimo ir išjungimo jungiklis
- B Jungiklio fiksatorius
- C Sviritis pjovimo režimui pasirinkti
- D Pjovimo judesių dažnio reguliavimo ratukas
- E Pjuvenų nupūtimo įtaiso jungiklis
- F Prožektorius
- G Ventilacinės angos

## SAUGA

### BENDROSIS DARBO SAUGOS INSTRUKCIJOS

**⚠ DĖMESIO! Perskaitykite visas šias saugos nuorodas ir reikalavimus.** Jei nepaisysite žemiau pateiktų saugos nuorodų ir reikalavimų, gali trenkti elektros smūgis, kilti gaisras ir/arba galite sunkiai susižaloti arba sužaloti kitus asmenis. **Išsaugokite šias saugos nuorodas ir reikalavimus, kad ir ateityje galėtumėte jais pasinaudoti.** Toliau pateiktame tekste vartojama sąvoka "elektrinis įrankis" apibūdina įrankius, maitinamus iš elektros tinklo (su maitinimo laidu), ir akumuliatorinius įrankius (be maitinimo laido).

#### 1) DARBO VIETOS SAUGUMAS

- Darbo vieta turi būti švari ir tvarkinga.** Tinkama netvarkinga ir blogai apšviesta darbo vieta gali tapti nelaimingų atsitikimų priežastimi.
- Nedirbkite tokioje aplinkoje, kur yra degių skysčių, dujų ar dulkių.** Elektriniai įrankiai gali kibirkščiuoti, o nuo kibirkščių dulkės arba susikaupę garai gali užsidegti.

- c) **Dirbdami su elektriniu įrankiu neleiskite šalia būti žiūrovams, vaikams ir lankytojams.** Nukreipę dėmesį į kitus asmenis galite nebesuvaldyti prietaiso.

## 2) ELEKTROSAUGA

- a) **Maitinimo laido kištukas turi atitikti tinklo rozetės tipą.** Kištuko jokių būdu negalima modifikuoti. **Nenaudokite jokių kištuko adapterių su žemintais prietaisais.** Originalūs kištukai, tiksliai tinkantys elektros tinklo rozetei, sumažina elektros smūgio pavojų.
- b) **Venkite kūno kontakto su žemintais paviršiais, tokiais kaip vamzdžiai, šildytuvai, viryklės ar šaldytuvai.** Egzistuoja padidinta elektros smūgio rizika, jei Jūsų kūnas bus žemintas.
- c) **Saugokite prietaisą nuo lietaus ir drėgmės.** Jei vanduo patenka į elektrinį prietaisą, padidėja elektros smūgio rizika.
- d) **Nenaudokite maitinimo laido ne pagal paskirtį, t. y. nenėškite prietaiso paėmę už laido, nekabinkite prietaiso už laido, netraukite už jo, norėdami išjungti kištuką iš rozetės.** Laidą klokite taip, kad jo neveiktų karštis, jis neišsitemptų alyva ir jo nepažeistų aštrios detalės ar judančios prietaiso dalys. Pažeisti arba susipynę laidai gali tapti elektros smūgio priežastimi.
- e) **Jei su elektriniu įrankiu dirbate lauke, naudokite tik tokius ilginimo kabelius, kurie tinka lauko darbams.** Naudojant lauko darbams pritaikytus ilginimo kabelius, sumažinamas elektros smūgio pavojus.
- f) **Jei su elektriniu įrankiu neišvengiamai reikia dirbti drėgnoje aplinkoje, naudokite žeminiimo grandinės pertraukiklį.** Naudojant žeminiimo grandinės pertraukiklį, sumažėja elektros smūgio pavojus.

## 3) ŽMONIŲ SAUGA

- a) **Būkite atidūs, sutelkite dėmesį į tai, ką Jūs darote ir, dirbdami su elektriniu įrankiu, vadovaukitės sveiku protu.** Nedirbkite su prietaisu, jei esate pavargę arba vartojote narkotikus, alkoholį ar medikamentus. Akimirksnio neatidumas naudojant prietaisą gali tapti rimtų sužalojimų priežastimi.
- b) **Naudokite asmenines apsaugos priemones ir visuomet užsidėkite apsauginius akinius.** Naudojant asmenines apsaugos priemones, pvz., respiratorių ar apsauginę kaukę, neslystančius batus, apsauginį šalną, klausos apsaugos priemones ir kt., rekomenduojamas dirbant su tam tikros rūšies įrankiais, sumažėja rizika susižeisti.
- c) **Saugokitės, kad neįjungtumėte prietaiso atsitiktinai.** Prieš įjungdami elektrinį įrankį prie elektros tinklo ir/arba akumulatoriaus, prieš pakeldami ar nešdami įsitikinkite, kad jis yra išjungtas. Jeigu nešdami elektrinį įrankį pirštą laikysite ant jungiklio arba prietaisą įjungsitė į elektros tinklą, kai jungiklis yra įjungtas, gali įvykti nelaimingas atsitikimas.
- d) **Prieš įjungdami prietaisą pašalinkite reguliavimo įrankius arba veržlių raktus.** Prietaiso besisukančioje dalyje esantis įrankis ar raktas gali tapti sužalojimų priežastimi.
- e) **Nepervertinkite savo galimybių. Dirbdami atsistokite patikimai ir visada išlaikykite pusiausvyrą.** Patikima stovėseną ir tinkamą kūno laikyseną leis geriau kontroliuoti prietaisą netikėtose situacijose.
- f) **Dėvėkite tinkamą aprangą. Nedėvėkite plaučių drabužių ir papuošalų. Saugokite plaukus,**

**drabužius ir pirštines nuo besisukančių prietaiso dalių.** Laisvus drabužius, papuošalus bei ilgus plaukus gali įtraukti besisukančios dalys.

- g) **Jei yra numatyta galimybė prijungti dulkių nusiurbimo ar surinkimo įrenginius, visada įsitikinkite, ar jie yra prijungti ir ar teisingai naudojami.** Naudojant dulkių nusiurbimo įrenginius sumažėja kenksmingas dulkių poveikis.
- ## 4) RŪPESTINGA ELEKTRINIŲ ĮRANKIŲ PRIEŽIŪRA IR NAUDOJIMAS
- a) **Neperkraukite prietaiso. Naudokite Jūsų darbui tinkamą elektrinį įrankį.** Su tinkamu elektriniu įrankiu Jūs dirbsite geriau ir saugiau, jei neviršysite nurodyto galimumo.
- b) **Nenaudokite elektrinio įrankio su sugedusiu jungikliu.** Elektrinis įrankis, kurio nebegalima įjungti ar išjungti, yra pavojingas ir jį reikia remontuoti.
- c) **Prieš reguliuodami prietaisą, keisdami darbo įrankius ar prieš valydami prietaisą, iš elektros tinklo lizdo ištraukite kištuką ir/arba išimkite akumulatorių.** Ši saugumo priemonė apsaugos jus nuo netikėto prietaiso įsijungimo.
- d) **Nenaudojamą prietaisą sandėliuokite vaikams ir nemokantiems juo naudotis asmenims neprieinamoje vietoje.** Elektriniai įrankiai yra pavojingi, kai juos naudoja nepatyrę asmenys.
- e) **Rūpestingai prižiūrėkite prietaisą. Tikrinkite, ar besisukančios prietaiso dalys tinkamai veikia ir niekur nekliūva, ar nėra sulūžusių ar šiaip pažeistų dalių, kurios įtakotų prietaiso veikimą.** Prieš vėl naudodami prietaisą pažeistos prietaiso dalys turi būti suremontuotos. Daugelio nelaimingų atsitikimų priežastis yra blogai prižiūrimi elektriniai įrankiai.
- f) **Pjovimo įrankiai turi būti aštrūs ir švarūs.** Rūpestingai prižiūrėti pjovimo įrankiai su aštriomis pjaujamosiomis briaunomis mažiau stringa ir juos yra lengviau valdyti.
- g) **Elektrinį įrankį, papildomą įrangą, darbo įrankius ir t. t. naudokite taip, kaip nurodyta šioje instrukcijoje. Taip pat atsižvelkite į darbo sąlygas bei atliekamo darbo pobūdį.** Naudojant elektrinius įrankius ne pagal jų paskirtį galima sukelti pavojingas situacijas.

## 5) APTARNAVIMAS

- a) **Prietaisą turi remontuoti tik kvalifikuotas specialistas ir naudoti tik originalias atsargines dalis.** Taip galima garantuoti, jog prietaisas išliks saugus.

## DARBŲ SAUGOS NUORODOS DIRBANTIEMS SIAURAVJŪKLAIS

### BENDROJI DALIS

- Visada patikrinkite, ar elektros tinklo įtampa sutampa su įtampos dydžiu, nurodytu prietaiso vardinėje lentelėje (prietaisus su nurodyta įtampa 230V ir 240V galima jungti į 220V įtampos elektros tinklą)
- Prieš kiekvieną naudojimą patikrinkite, ar prietaisas neprikaištingai veikia; atsiradus gedimui, kreipkitės į kvalifikuotą specialistą; prietaiso niekuomet neardykite patys
- **Draudžiama apdirbti medžiagas, kurių sudėtyje yra asbesto** (asbestas pasižymi vėžį sukeliančiu poveikiu)
- Šį prietaisą turėtų naudoti tik asmenys, kuriems 16 ir daugiau metų



- Darbo metu triukšmo lygis gali viršyti 85 dB(A); naudoti klausos apsaugos priemonės
- Jeigu apdirbant medžiagas susidaro daug drožlių, dirbkite su apsauginiais akiniais
- Kai kurių medžiagų, kaip antai dažų, kurių sudėtyje yra švino, kai kurių medžių rūšių medienos, mineralų ir metalo dulkės gali būti kenksmingos (kontaktas su šiomis dulkmėmis arba įkvėptos dulkmės gali sukelti operatoriui arba šalia esantiems žmonėms alergines reakcijas ir/arba kvėpavimo sistemos susirgimus); **mūvėkite priešdulkinę puskaukę arba dirbdami naudokite dulkių ištraukimo įrenginį, jei jį galima prijungti**
- Kai kurių rūšių dulkmės priskiriamos kancerogeninėms (pvz., ažuolo arba buko medienos dulkmės), ypač susimaišiusios su medienos taurinimui naudojamiems priedais; **mūvėkite priešdulkinę puskaukę arba dirbdami naudokite dulkių ištraukimo įrenginį, jei jį galima prijungti**
- Vadovaukitės Jūsų šalyje taikomų direktyvų reikalavimais, skirtais medžiagoms, su kuriomis norite dirbti
- Naudodami ilginamuosius kabelius atkreipkite dėmesį į tai, kad kabelis būtų iki galo išvyniotas ir būtų pritaikytas 16 A elektros srovei
- **Prieš reguliuojant prietaisą arba keičiant darbo įrankius, ištraukite kištuką iš el. tinklo lizdo**

#### PRIEŠ EKSPLOATACIJĄ

- Prieš pradėdami pjauti pašalinkite visas pjūvio linijoje esančias kliūtis tiek ruošinio viršuje, tiek ir apačioje
- Saugokite, kad nepažeistumėte prietaiso į ruošinyje esančios varžtus, vinis ir pan; prieš pradėdami darbą juos pašalinkite
- **Saugiai laikykite tvirtinamą dirbinį** (dirbinį, kuris segamas ar kalamas kabų kalimo įrankiais, saugiau laikyti spaustuviu nei ranka)

#### EKSPLOATACIJA

- **Jei atliekate darbus, kurių metu darbo įrankis gali kliudyti paslėptus elektros laidus arba paties elektrinio įrankio maitinimo laidą, tai elektrinį įrankį laikykite už izoliuotų rankenų** (palietus laidą, kuriuo teka elektros srovė, metalinėse elektrinio įrankio dalyse gali atsirasti įtampa ir trenkti elektros smūgis)
- Pasirūpinkite, kad maitinimo kabelis nebūtų arti besisukančių prietaiso dalių; klokite jį kuo toliau už prietaiso
- Jei dirbant bus pažeistas ar nutrauktas kabelis, būtina noliečiant kabelio tuojau pat ištraukti kištuką iš elektros tinklo lizdo
- Prietaisą su pažeistu kabeliu naudoti draudžiama; jį turi pakeisti kvalifikuotas elektrikas
- Atsiradus mechaninio ar elektrinio pobūdžio trukdžiams, tuojau pat išjunkite prietaisą ir ištraukite kištuką iš elektros tinklo lizdo
- Nekiškite rankų prie pjūklelio, kuomet prietaisas yra jungtas

#### PAPILDOMA ĮRANGA

- SKIL gali garantuoti nepriekaištingą prietaiso veikimą tik tuo atveju, jei naudojama originali papildoma įranga ir priedai
- Nenaudokite įtrūkusių, sulenktų ar atšipusių pjūklelių

#### EKSPLOATACIJA LAUKE

- Prietaisai, su kuriais dirbama lauke, turi būti prijungiami per nuotėkio srovės apsauginį išjungiklį (F1-), kurio suveikimo srovė yra ne didesnė kaip 30 mA; naudokite tik lauko darbams skirtus prailginimo kabelius su hermetiškomis jungtimis

#### PO EKSPLOATACIJOS

- Prieš padėdami prietaisą jį išjunkite ir palaukite, kol visos besisukančios jo dalys visiškai sustos

#### ANT PRIETAISO ESANČIŲ SIMBOLIŲ REIKŠMĖS

- ③ Prieš naudodami įrankį perskaitykite instrukcijų vadovą
- ④ Dviguba izoliacija (įžeminimo laido nereikia)
- ⑤ Nemeskite prietaisus į buitinių atliekų konteinerius

#### NAUDOJIMAS

- Įjungimas/išjungimas ⑥
- Jungiklio fiksavimas ilgalaikiam darbui ⑦
- Pjūklelio įdėjimas bei keitimas ⑧
- **! pjūklelį įstatykite iki galo, danteliais į priekį ⑨**
- Pjovimas pavertus pjūklelį 45° kampu ⑩
  - geriausi rezultatai gaunami tuomet, kai pjovimo režimo perjungiklis nustatytas į padėtį "all/curve"
  - **! patikrinkite, ar atraminė plokštė prigula prie įrankio korpuso ⑩a arba ⑩b)**
- Pjūtklo režimo pasirinkimas ⑪
  - 1 padėtis ("all/curve") skirta tiksliam pjovimui visose medžiagose, tiesiems ir figūriniams pjūviams
  - 4 padėtis-greitiems pjūviams skirtingose medžiagose, pjaunant tik tiesias linijas
    - pilka = metalui
    - mėlynas = plastmasei
    - ruda = kietai medienai
    - žalias = minkštai medienai
  - **! pjaunant greitai skylančias medžiagas, reikia rinktis padėtį "all/curve"**
- Pjūklelio judėjimo greičio reguliavimas pagal pjaunamą medžiagą ⑫
  - **! jei regulatoriaus ratukas D nėra padėtyje 1, pasirinkite didesnį pjovimo judesių dažnį ir po to, prietaisui veikiant, sumažinkite jį iki reikiamo dažnio**
- Dulkių nusiurbimas ⑬a
  - **! nenaudokite dulkių nusiurbimo pjaudami metalą**
- Dulkių nupūtimas ⑬b
- Prožektorius ⑭
- Prietaiso naudojimas
  - prieš įjungiant prietaisą atraminė plokštė priekine dalimi turi būti uždėta ant ruošinio
  - prietaisą visuomet laikykite abiem rankomis, kad dirbdami galėtumėte jį kontroliuoti
  - **dirbdami laikykite prietaisą už pilkos spalvos suėmimo vietas(-ų) ⑮**
  - įsitikinkite, kad atraminė plokštė pjovimo metu yra visu paviršiumi prigludusi prie ruošinio
  - **! prieš atitraukdami prietaisą nuo ruošinio įsitikinkite, kad pjūtklo diskas visiškai sustojo**
  - ventiliacines angas G ② laikykite neuždengtas

#### NAUDOJIMO PATARIMAI

- Naudokite tinkamus pjūklelius ⑮
- **! naudokite tik pjūklelius su T formos kotu ⑰**

- Пжаудами метала периодiškai suteptkite pjūklejį alyva
- Norėdami lygiai išpjauti tiesią liniją, kaip liniuotę galite panaudoti tiesią medinę juostelę, prie kurios priglaudę atraminės plokštės kraštą, veskite prietaisą pjūvio linijos kryptimi ⑱
- Norėdami padaryti išpjovas viduryje ruošinio, prieš tai išgręžkite jame skylę ⑲
- Pjovimas be atplaišų
  - prieš pjaudami pjūvio liniją užklijuokite keliais sluoksniais lipnios juostos
  - apverskite ruošinį gerąja puse į apačią
- Daugiau patarimų rasite internete [www.skil.com](http://www.skil.com)

## PRIEŽIŪRA / SERVISAS

- Šis prietaisas neskirtas profesionaliam naudojimui
- Periodiškai valykite prietaisą ir kabelį (ypač ventiliacinės angas G ②)
- ! **prieš valydami ištraukite kištuką iš elektros tinklo lizdo**
- Jeigu prietaisas, nepaisant gamykloje atliktam kruopštaus gamybos ir kontrolės proceso, vis dėlto sugestų, jo remontas turi būti atliekamas įgaliotose SKIL elektrinių įrankių remonto dirbtuvėse
  - **neišardyta** prietaisą kartu su pirmojo čekiu siųskite tiekėjui arba į artimiausią SKIL firmos įgaliotą elektros prietaisų techninio aptarnavimo tarnybą (adresus bei atsarginių dalių brėžinius rasite [www.skil.com](http://www.skil.com))

## APLINKOSAUGA

- **Nemeskite elektrinių įrankių, papildomos įrangos ir pakuočių į buitinių atliekų konteinerius** (galioja tik ES valstybėms)
  - pagal ES Direktyvą 2012/19/EG dėl naudotų elektrinių ir elektroninių prietaisų atliekų utilizavimo ir pagal vietinius valstybės įstatymus atitarnavę elektriniai įrankiai turi būti surenkami atskirai ir gabunami į antrinių žaliavų tvarkymo vietas, kur jie turi būti sunaikinami ar perdirbami aplinkai nekenksmingu būdu
  - apie tai primins simbolis ⑤, kai reikės išmesti atitarnavusį prietaisą

## TRIUKŠMINGUMAS/VIBRACIJA

- Šio prietaiso triukšmingumas buvo išmatuotas pagal EN 60745 reikalavimus; keliamo triukšmo garso slėgio lygis siekia 90 dB(A) ir akustinio galingumo lygis 101 dB(A) (standartinis nuokrypis: 3 dB), ir vibracijos \* m/s<sup>2</sup> (trijų krypčių atstojamasis vektorius; paklaida K = 1,5 m/s<sup>2</sup>)
  - \* pjaudami medžią 8,8 m/s<sup>2</sup>
  - \* pjaudami metalą 13,3 m/s<sup>2</sup>
- Vibracijos sklaidos lygis išmatuotas pagal standarte EN 60745 išdėstytus standartizuoto bandymo reikalavimus; ši vertė gali būti naudojama vienam įrankiui palyginti su kitu bei išankstiniams vibracijos poveikiui įvertinti, kai įrankis naudojamas paminėtais būdais
  - naudojant įrankį kitokiais būdais arba su kitokiais bei netinkamai prižiūriniais priedais, gali žymiai **padidėti** poveikio lygis

- laikotarpiais, kai įrankis išjungtas arba yra įjungtas, tačiau juo nedirbama, gali žymiai **sumažėti** poveikio lygis
- ! **apsisaugokite nuo vibracijos poveikio prižiūredami įrankį ir jo priedus, laikydami rankas šiltai ir derindami darbo ciklus su pertraukėlėmis**

MK

## Убодна пила

4370

## УПАТСТВО

- Овој алат е наменет за пресекување и отсекување на дрво, пластика, метал, керамички плочки и гума; се користи за право сечење и сечење под агол од 0° или 45°
- Светлото на овој електричен апарат е наменето да го осветли директно полето на работа на електричниот апарат и не е погодно за просторно осветлување во домаќинството
- Овој алат не е наменет за професионална употреба
- Внимателно прочитajte го и зачувајте го ова упатство за ракување ③

## ТЕХНИЧКИ ПОДАТОЦИ ①

## ЕЛЕМЕНТИ НА АЛАТОТ ②

- A** Прекинувач за вклучување/исклучување и контрола на брзината
- B** Копче за блокирање на прекинувачот
- C** Рачка за бирање на режимот на сечење
- D** Тркалце за регулирање на брзината на сечењето
- E** Прекинувач за отпращувачот
- F** Светло
- G** Отвори за вентилација

## БЕЗБЕДНОСТ

### ОПШТИ УПАТСТВА ЗА БЕЗБЕДНОСТ

**⚠ ПРЕДУПРЕДУВАЊЕ!** Сите упатства мора да се прочитаат. Непочитување на долу наведените упатства може да предизвика струен удар, пожар и/или тешки повреди. **Чувајте ги сите предупредувања и напатствија за во иднина.** Поимот "електричен алат", кој се користи во понатамошниот текст, се однесува на вашиот електричен алат (со приклучен кабел) и на електрични алати со погон на батерии (без приклучен кабел).

### 1) БЕЗБЕДНОСТ НА РАБОТНОТО МЕСТО

- Одржувајте го вашето работно место чисто и уредно.** Неуреден или темен работен простор може да предизвикаат незгоди.
- Немојте да работите со уредот во средина во која има опасност од експлозија, во која има запаливи течности, гасови и прашина.** Електричните алати произведуваат искри кои можат да запалат прашина или параа.

- c) За време на употребата на електричниот алат, децата и останатите лица држете ги подалеку од местото на работите. Одвркање, би можеле да изгубите контрола врз уредот.
- 2) ЕЛЕКТРИЧНА СИГУРНОСТ**
- a) Утинач мора да одговара на приклучокот. Никако не смее да се прават измени на штекерот. Не користете адаптерски штекер заедно со уредот кој е заштитно заземјен. Не променети штекери и соодветни приклучоци го намалуваат ризикот од електричен удар.
- b) Избегнувајте допир на телото со заземјени површини, како што се цевни, радијатори, рерни и фрижидери. Постои зголемена опасност од струен удар, доколку Вашето тело е заземјено.
- c) Чувајте го уредот подалеку од дожд и влага. Продирањето на вода во електричниот уред ја зголемува опасноста од струен удар.
- d) Не злоупотребувајте го приклучниот кабел за носење, бесење на уредот или за извлекување на штекерот од мрежниот приклучок. Чувајте го кабелот подалеку од топлина, масло, остри рабови или деловите на апаратот кои се движат. Оштетени или заплеткани кабли ја зголемуваат опасноста од струен удар.
- e) Кога го употребувате полначот надвор, користете продолжен кабел кој е соодветен за употреба на отворен простор. Примената на продолжен кабел соодветен за работа на отворен простор ја намалува опасноста од струен удар.
- f) Доколку не може да се избегне работа со електричниот алат во влажна средина, користете прекинувач за струјна заштита при технички проблеми. Употребата на прекинувачот за струјна заштита при технички проблеми го намалува ризикот од електричен удар.
- 3) БЕЗБЕДНОСТ НА ЛУЃЕ**
- a) Бидете внимателни, внимавајте што правите и постапувајте внимателно додека работите со електричниот алат. Не работете со уредот доколку сте уморни или под дејство на дрога, алкохол или лекови. Еден момент на невнимание при употребата може да доведе до сериозни повреди.
- b) Носете ја личната заштитна опрема и секогаш носете заштитни очила. Носењето на личната заштитна опрема, како што е маската за прашина, безбедносната облека која не се лизга, заштитен шлем или штитник за слух, зависно од видот и примената на електричниот алат, ја намалува опасноста од повреда.
- c) Избегнувајте невнимателно вклучување за време на работата. Осигурајте се прекинувачот да биде во "OFF" позиција пред да го ставите штекерот во приклучокот. Доколку го носите електричниот алат со прстот на прекинувачот или го приклучувате апаратот кој е приклучен со напојување на струја, може да предизвикаат незгоди.
- d) Пред вклучување на уредот, тргнете ги алатите за подесување или клучот за навртување. Алатот или клучот кој се наоѓа во вртливиот дел на уредот, може да предизвика незгода.
- e) Не ги преценувајте своите способности. Завземете сигурен и стабилен став и во секој момент одржувајте рамнотежа. На тој начин можете подобро да го контролирате уредот во неочекувани ситуации.
- f) Носете соодветна облека. Не носете широка облека или нанит. Косата, облената и раковниците држете ги подалеку од деловите кои се движат. Комотната облека, накитот или долгата коса може да бидат фатени во деловите кои се движат.
- g) Доколку може да се монтираат направи за вшмукување и фаќање прашина, проверете дали се вклучени и дали можат исправно да се користат. Примената на овие направи ја намалува опасноста од прашината.
- 4) ВНИМАТЕЛНА УПОТРЕБА И РАКУВАЊЕ СО ЕЛЕКТРИЧНИТЕ АЛАТИ**
- a) Не го преоптеретувајте уредот. При вашата работа користете го предвидениот електричен алат за таа употреба. Со соодветниот електричен алат ќе работите подобро и посигурно во наведената функционална област.
- b) Не користете електричен алат кој прекинувач е неисправен. Електричниот алат кој повеќе не може да се вклучува и исклучува е опасен и мора да се поправи.
- c) Извечете го штекерот од приклучокот пред извршување на било какви подесувања на апаратот, замена на приборот или складирање. Со овие мерки на внимателност ќе се избегне невнимателното вклучување на уредот.
- d) Тргнете го електричниот алат кој не го користите од допирот на децата. Не допуштајте работа со уредот на лица кои не се запознаени со него или кои го немаат прочитано ова упатство. Електричните алати се опасни доколку со нив работат неискусни лица.
- e) Одржувајте го уредот со внимание. Имајте контрола околу тоа дали двинечните делови на уредот работат беспрекорно и дали не се заглавени, дали деловите се скршени или оштетени до таа мерна што не може да се обезбеди функционирање на уредот. Пред примената, овие оштетени делови треба да се поправат. Причина за многу незгоди е лошо одржуваниот електричен алат.
- f) Алатите за сечење одржувајте ги остри и чисти. Внимателно одржуваните алати за сечење со остри отчрпи помалку ќе се заглавуваат и со нив работата ќе биде полесна.
- g) Електричниот алат, прибор, работни алати итн., треба да ги користите според овие упатства, и на начин кој е опишан за соодветниот тип на уред. При тоа, земете ги предвид работните услови и работата која се извршува. Употребата на електричните алати за други цели кои не се предвидени, може да предизвика опасни ситуации.
- 5) СЕРВИСИРАЊЕ**
- a) Поправката на Вашиот уред препуштете им ја само на обучен, стручен кадар на овластен сервисер, и само со оригиналните резервни

**делови.** На тој начин ќе се обезбеди уредот да остане со зачувана безбедност.

## УПАТСТВО ЗА БЕЗБЕДНА РАБОТА СО УБОДНАТА ПИЛА

### ОПШТИ

- Секогаш проверувајте напонот да е ист со оној кој е назначен на плочката на алатот (алатите за напон од 230V или 240V исто така може да се поврзат и на напон од 220V)
- Проверувајте ја функционалноста на машината пред секоја употреба и во случај на дефект, повикајте квалификувано лице да ја поправи. Никогаш не отворајте ја машината сами
- **Не обработувајте никаков материјал кој содржи азбест** (азбестот важи за предизвикувач на рак)
- Овој алат не треба да го користат лица под 16 години
- Нивото на бучава додека работите може да изнесува повеќе од 85 dB(A); носете заштита за ушите
- Носете очила кога работете со материјали што создаваат стругутини
- Прашината од материјали како боја која содржи олово, некои видови дрво, минерали и метали, може да биде штетна за здравјето (контактот со прашината или нејзиното вдишување може да шредизвика алергии и/или болести на дишните органи за оној кој работи со алатот или луѓето во близина); **носете масна за прашина и работете со правосмуналки доколку можете да ги поврзете**
- Некои видови на прашина се канцерогени (како на пример прашината од даб или бука), особено заедно со адитиви за одржување на дрвото; **носете масна за прашина и работете со правосмуналки доколку можете да ги поврзете**
- Следете ги процедурите на вашата земја за прашината која се јавува како резултат од материјалите со кои работите
- Продолжениот кабел кој го користите, мора да биде сосема одмотан и безбеден, со капацитет од 16 A
- **Обезбедете се алатот да е исклучен од струја пред да вршите било какво подесување или замена на приборот**

### ПРЕД УПОТРЕБА

- Пред да почнете со сечење, отстранете ги сите пречки на и под местото каде сечете
- Избегнувајте оштетувања од штрафови, шајки и други предмети во местото каде работите; тргнете ги пред да почнете со работа
- **Зацврстете го материјалот кој го обработувате** (обработка која е зацврстена со стеги или во менгеме е побезбедна отколку да ја држите со раце)

### ВО ТЕНОТ НА УПОТРЕБАТА

- **Држете го алатот за изолираните површини за зафаќање кога извршувате работа при која што дополнителната опрема за сечење може да дојде во контакт со сокриените жици или со кабелот** (ако дополнителната опрема за сечење дојдат во контакт со жица под напон може да ги електрифицираат металните делови на алатот и да предизвикаат електричен удар на операторот)

- Кабелот секогаш држете го подалеку од деловите на алатот кои се движат; кабелот држете го на задната страна, на страна од алатот
- Ако кабелот се оштети или пресече за време на работата, веднаш исклучете го и не го допирајте
- Никогаш не користете алат ако кабелот е оштетен; замената на кабелот мора да ја изврши стручно лице
- Во случај да дојде до електричен или механички дефект, веднаш исклучете го алатот и исклучете го од приклучокот
- Држете ги рацете подалеку од сечивото кога работите со електричен алат

### ПРИБОР

- SKIL може да признае гаранција само доколку е користен оригинален прибор
- Не користете сечиво што е напукнато, деформирано или тапо

### КОРИСТЕЊЕ НА ОТВОРЕНО

- Кога го користите на отворено, поврзете го алатот преку осигурувач за струја (FI) за погрешно напојување во струја за прекинување со максимум 30 mA и користете продолжен кабел којшто е наменет за употреба на отворено и опремен со водоотпорен приклучок

### ПО УПОТРЕБА

- Кога ќе ја завршите работата со алатот, исклучете го моторот и проверете дали сите подвижни делови се застанати

### ОБЈАСНУВАЊЕ ЗА СИМБОЛИТЕ ЗА АЛАТОТ

- ③ Пред употреба прочитајте го прирачникот за употреба
- ④ Двојна изолација (не е потребна заземна жица)
- ⑤ Не фрлајте го алатот заедно со другиот отпад од домаќинството

## УПОТРЕБА

- Вклучено/Исклучено ⑥
- Блокирање на прекинувачот за постојана употреба ⑦
- Промена на сечивото ⑧
  - ! **Уфрлете го сечивото до полна длабочина со запците свртени напред** ⑨
- Дупчење на 45 степени ⑩
  - за постигнување на најдобри резултати, изберете го "all/curve" режимот за сечење
  - ! **обезбедете рамно налегнување на подножните наслонувачи на нуѓиштето на алатот** (⑩a или ⑩b)
- Избор на видот на сечење ⑪
  - 1 позиција ("all/curve") за прецизно сечење во сите материјали, праволиниски + под агол
  - 4 позиција за брзо сечење во различни материјали, само праволиниски
  - сива = метал
  - модра = пластика
  - кафена = тврдо дрво
  - зелена = меко дрво
  - ! **секогаш изберете "all/curve" кога сечете осетлив материјал**

- Местење на брзината на сечење во зависност од материјалот што се користи ⑫
- ! **ано алатот не работи со тркалцето D во позиција 1, изберете поголема брзина на сечење и полена намалувајте ја брзината додека работи алатот**
- Смукалка за прашина ⑬а
- ! **не користете правосмукалната нога сечете метал**
- Отпашувач ⑬b
- Светло ⑭
- Работа со алатот
  - пред да го вклучите моторот проверете дали предниот дел на работната плоча е поставен рамно на работното место
  - цврсто држете ја машината со двете раце за да имате постојано целосна контрола врз неа
  - ! **додека работите, сеногаш држете го алатот за местото (местата) кое (кои) се означени со сива боја ⑮**
  - уверете се дека целата површина на работната плоча лежи цврсто на работното место
  - ! **пред да го подигнете електричниот алат од местото каде се работи, проверете дали е дојдено до целосен прекин на работата на сечилото**
  - отворите за ладење G ② држете ги отворени

## СОВЕТИ ЗА ПРИМЕНА

- Користете соодветни сечила ⑯
- ! **користете само сечиво со T дршка ⑰**
- Кога сечете метал ставете сечиво подмачкано со масло
- За кое било прецизно право сечење, поставете го алатот со работната плоча потпрена на водилка (на пр. парче право дрво) ⑱
- Пред да исечете отвор направете дупка ⑲
- Сечење без поткршени рабови
  - прекријте ја линијата на сечењето со повеќеслојни или широки ленти пред да почнете со сечењето
  - лицето на материјалот е свртено надолу на работното место
- Многу други совети можете да најдете на [www.skil.com](http://www.skil.com)

## ОДРЖУВАЊЕ/СЕРВИСИРАЊЕ

- Овој алат не е наменет за професионална употреба
- Алатот и кабелот сеногаш да се одржуваат чисти (особено отворите за ладење G ②)
- ! **пред чистење извадете го алатот од приклучокот**
- Доколку алатот и покрај внимателното работење и контрола некогаш откаже, поправката мора да ја изврши некој овластен SKIL сервис за електрични алати
  - во случај на примедба, испратете го алатот **нерасклопен**, заедно со сметкопотврдата, до вашиот продавач или најблискиот SKIL сервис (адресите се наведени на [www.skil.com](http://www.skil.com))

## ЗАШТИТА НА ЖИВОТНАТА СРЕДИНА

- **Не се ослободувајте од електрични алати, уреди или амбалажа преку нивно фрлање во домашното ѓубре** (само за земјите на ЕУ)
  - според Европската Директива 2012/19/ЕС за ослободување од електрична и електронска опрема и нејзина имплементација во согласност со националните закони, електричните алати кои го достигнале крајот на својот животен век мора да бидат собрани посебно и да бидат вратени во соодветен објект за рециклирање
  - симболот ⑤ ќе ве потсетува на ова кога ќе дојде време алатот да го фрлите

## БУЧАВА/ВИБРАЦИИ

- Мерено во согласност со EN 60745 нивото на звучен притисок е 90 dB(A) а нивото на звучна моќност 101 dB(A) (стандардно отстапување: 3 dB), и вибрација \*  $m/c^2$  (векторски збир на трите показатели; несигурност  $K = 1.5 m/c^2$ )
  - \* кога сечете дрво 8,8  $m/s^2$
  - \* кога сечете метал 13,3  $m/s^2$
- Нивото на емитирање на вибрации кое е наведено на задниот дел на ова упатство е измерено во согласност со стандардизираниот тест даден во EN 60745; може да се користи за да се спореди еден алат со друг, и како првична оценка за изложеноста на вибрации кога се користи алатот за споменатите примени
  - користењето на алатот за разни примени, или со различни или неправилно чувани делови, може да доведе до значајно **зголемување** на нивото на изложеност
  - кога алатот е исклучен или кога алатот е вклучен но не врши некаква работа, може да дојде до значително **намалување** на нивото а изложеност
- ! **заштитете се од ефектите на вибрациите преку одржување на алатот и неговите делови, одржување на топлината во вашите раце, и организирање на вашата работа**

AL

Sharrë sege

4370

HYRJE

- Kjo pajisje është e projektuar për kryerjen e prerjeve tejpërtej dhe të çarave në dru, plastikë, metal, pllaka qeramike dhe gomë, dhe është e përshtatshme për prerje të drejta dhe me hark me 0° ose 45°
- Drita e kësaj vegje është e projektuar për të ndriçuar zonën e drejtpërdrejtë të punës për pajisjen dhe nuk është e përshtatshme për ndriçimin e dhomave në shtëpi
- Kjo vegël nuk është e projektuar për përdorim profesional
- Lexoni dhe ruani këtë manual të përdorimit ③

TË DHËNAT TEKNIKE ①

## ELEMENTET E PAJISJES ②

- A Çelësi për ndezje/fikje
- B Butoni për bllokimin e çelësit
- C Leva për zgjedhjen e modalitetit të sharrimit
- D Rrota për të rregulluar shpejtësinë e sharrës
- E Çelësi për fryrjen e pluhurit
- F Drita ndriçuese
- G Të çararë e ajrosjes

## SIGURIA

### UDHËZIMET E PËRGJITHSHME PËR SIGURINË

**⚠ PARALAJMËRIM! Lexoni të gjitha paralajmërimet e sigurisë dhe të gjitha udhëzimet.** Mosrespektimi i paralajmërimeve dhe udhëzimeve mund të rezultojë në goditje elektrike, zjarr dhe/ose dëmtime të rënda. **Ruani të gjitha paralajmërimet dhe udhëzimet për referencë në të ardhmen.** Termi "pajisje elektrike" në paralajmërimi i referohet pajisjes elektrike që përdoret nga prizat (me kablo) ose pajisjes elektrike me bateri (pa kablo).

### 1) SIGURIA E ZONËS SË PUNËS

- a) **Mbajeni zonën e punës të pastër dhe të ndriçuar mirë.** Zonat e çrregullta ose të errëta janë një ftesë për aksidente.
- b) **Mos i përdorni pajisjet elektrike në situata me mundësi shpërthimi, si në prani të lëngjeve, gazeve ose pluhurave të djegshëm.** Pajisjet elektrike shkaktojnë shkëndija që mund të ndezin pluhurat ose avujt.
- c) **Mbajini fëmijët dhe personat e tjerë larg gjatë përdorimit të veglës së punës.** Tërheqja e vëmendjes mund të shkaktojë humbjen e kontrollit.

### 2) SIGURIA ELEKTRIKE

- a) **Spinat e veglës së punës duhet të përpunohen me prizën. Mos modifikoni kurrë spinën në asnjë mënyrë. Mos përdorni asnjë spinë përshtatëse me veglat e punës me tokëzim.** Spinat e pamodifikuara dhe prizat përshtatëse do të zvogëlojnë rrezikun e goditjes elektrike.
- b) **Shmangni kontaktin trupor me sipërfaqe të tokëzuara si tuba, radiatorë, soba dhe frigoriferë.** Ka një rrezik më të madh të goditjeve elektrike nëse trupi është i tokëzuar.
- c) **Mos ekspozoni veglat e punës në shi ose në kushte me lagështi.** Uji që hyn në veglën e punës do të rritë rrezikun e goditjes elektrike.
- d) **Mos abuzoni me kordonin. Mos e përdorni kurrë kordonin për transportin, tërheqjen ose heqjen e spinës së veglës së punës. Mbajeni kordonin larg nga nxehtësia, vaji, anët e mprehta ose pjesët që lëvizin.** Kordonët e dëmtuar ose e bllokuar rrisin rrezikun e goditjes elektrike.
- e) **Kur përdorni një vegël pune në mjedise të jashtme, përdorni një kordon zgjatues të përshtatshëm për përdorim në mjedise të jashtme për përdorime në mjedise të jashtme zvogëlon rrezikun e goditjes elektrike.**
- f) **Nëse përdorimi i veglës së punës në një vend me lagështi është i pashmangshëm, përdorni një automat çarku me shkarkesë me tokëzim.** Përdorimi i

një automati me shkarkesë me tokëzim zvogëlon rrezikun e goditjes elektrike.

### 3) SIGURIA PERSONALE

- a) **Qëndroni në gatishmëri, shikoni se çfarë po bëni dhe përdorni gjykimin kur përdorni një vegël pune. Mos e përdorni një vegël pune kur jeni i lodhur ose nën ndikimin e ilaçeve, alkoolit ose mjekimit.** Një moment humbje e vëmendjes gjatë përdorimit të veglave të punës mund të shkaktojë dëmtime të rënda personale.
  - b) **Përdorni pajisje personale mbrojtëse. Mbani gjithmonë pajisje për mbrojtjen e syve.** Pajisjet mbrojtëse si maska kundër pluhurit, këpucët që nuk rrëshqasin, kaskat ose pajisjet për mbrojtjen e veshëve për kushtet përkatëse do të zvogëlojnë dëmtimet personale.
  - c) **Parandaloni ndezjen e rastësishme. Sigurohuni që çelësi është në pozicionin fikur para se të lidhni burimin e energjisë dhe/ose baterinë, para se të merrni ose të transportoni pajisjen.** Transportimi i veglave të punës me gishtin në çelës ose aktivizimi i veglave të punës që kanë çelësin të ndezur është një ftesë për aksidente.
  - d) **Hiqni çdo çelës ose çelës përshtatës para ndezjes së veglës së punës.** Një çelës i lënë i lidhur me një pjesë rrotulluese të veglës së punës mund të shkaktojë dëmtime personale.
  - e) **Mos u zgjasni. Mbani një vendosje të mirë të këmbëve dhe një ekuilibër të mirë në çdo moment.** Kjo gjë bën të mundur një kontroll më të mirë të veglës së punës në situata të papritura.
  - f) **Vishuni në mënyrën e duhur. Mos vishni veshje të gjera ose bizhuteri. Mbani flokët, veshjet dhe dorashkat larg nga pjesët lëvizëse.** Veshjet e gjera, bizhuteritë ose flokët e gjatë mund të kapen nga pjesët në lëvizje.
  - g) **Nëse janë ofruar pajisje për lidhjen e pajisjeve të mbledhjes dhe nxjerrjes së pluhurave, sigurohuni që ato të jenë të lidhura dhe të përdoren si duhet.** Përdorimi i mbledhjes së pluhurave mund të zvogëlojë rrezikat në lidhje me pluhurat.
- ### 4) PËRDORIMI DHE KUJDESI PËR VEGLËN E PUNËS
- a) **Mos ushtroni forcë mbi veglën e punës. Përdorni veglën e punës të duhur për përdorimin tuaj.** Vegla e punës e duhur do të realizojë një punë më të mirë dhe më të sigurt dhe me shpejtësinë që ajo është e projektuar.
  - b) **Mos përdorni veglën e punës nëse çelësi nuk e ndez apo e fik.** Çdo vegël pune që nuk mund të kontrollohet me anë të çelësit është e rrezikshme dhe duhet të riparohet.
  - c) **Shkëputni spinën nga burimi i energjisë dhe/ose baterinë nga vegla e punës para se të bëni rregullime të tjera, të ndryshoni aksesorët ose të ruani veglat e punës.** Këto masa parandaluese të sigurisë ulin rrezikun e ndezjes aksidentale të veglës së punës.
  - d) **Mbani veglat e punës larg fëmijëve dhe mos lejoni personat e pamësuar me veglën e punës ose këto udhëzime për përdorimin e pajisjes.** Veglat e punës janë të rrezikshme në duart e përdoruesve të patrajnura.
  - e) **Mirëmbani veglat e punës. Kontrolloni për mospërshtatje ose bllokim të pjesëve lëvizëse,**

thyerje të pjesëve dhe gjendje të tjera që mund të ndikojnë në funksionimin e veglës së punës. Nëse dëmtohet, riparoheni veglën e punës para përdorimit. Shumë aksidente shkaktohen nga veglat e punës jo të mirëmbajtura si duhet.

- f) **Mabajni pajisjet prerëse të pastra dhe të mprehta.** Pajisjet e prerjes të mirëmbajtura dhe me anë të mprehta kanë më pak mundësi për t'u bllokuar dhe janë më të lehta për t'u kontrolluar.
- g) **Përdorni veglat e punës, aksesoret dhe puntot, etj. në përputhje me këto udhëzime, duke marrë parasysh kushtet e punës dhe punën që do të kryhet.** Përdorimi i veglave për përdorime të ndryshme nga ato të përcaktuara mund të shkaktojë rrezique.

#### 5) SHËRBIMI

- a) **Shërbimi i veglës së punës duhet të kryhet nga një person i kualifikuar për riparimet duke përdorur vetëm pjesë ndërrimi identike.** Kjo gjë do të sigurojë ruajtjen e sigurisë së veglave të punës.

### UDHËZIMET E SIGURISË PËR SHARRAT SEGE

#### TË PËRGJITHSHME

- Kontrolli gjithmonë që voltazhi i energjisë të jetë i njëjtë si voltazhi që tregohet në etiketën e veglës (veglat me klasifikimin 230 V ose 240 V mund të lidhen po ashtu me një burim 220 V)
- Kontrolloni funksionimin e pajisjes para çdo përdorimi dhe, në rast defekti, riparoheni nga një person i kualifikuar; mos e hapni kurrë vetë pajisjen
- **Mos punoni me materiale që përmbajnë asbest** (asbesti konsiderohet kancerogjen)
- Kjo pajisje nuk duhet të përdoret nga personat nën moshën 16 vjeç
- Niveli i zhurmës gjatë punës mund të kalojë 85 dB(A); mbani mbrojtëse për veshët
- Mbani syze mbrojtëse kur punoni me materiale që krijojnë ashklë
- Pluhurat nga materialet si boja me plumb, disa lloje drurësh, mineralesh dhe metalesh mund të jenë të dëmshme (kontakti ose thithja e pluhurave mund të shkaktojë reagime alergjike dhe/ose sëmundje respiratore për përdoruesin ose personat përreth); **mbani një maskë për pluhurat dhe punoni me një pajisje për heqjen e pluhurave kur mund të lidhet**
- Disa lloje pluhurash skanë klasifikuar si kancerogjene (si pluhuri i lisit dhe i ahut) veçanërisht në ndërthurje me lëndët shtesë për kondicionimin e drurit; **mbani një maskë për pluhurat dhe punoni me një pajisje për heqjen e pluhurave kur mund të lidhet**
- Respektoni kërkesat kombëtare në lidhje me pluhurat për materialet me të cilat dëshironi të punoni
- Përdorni kordonë të pahapur dhe të sigurt për zgjatime, me një kapacitet 16 amper
- **Shkëputni gjithmonë spinën nga burimi i energjisë para kryerjes së rregullimeve ose ndryshimeve të aksesoreve**

#### PARA PËRDORIMIT

- Hiqni të gjitha pengesat mbi si dhe poshtë në rrugën e prerjes para se të filloni prerjen
- Shmangni dëmtimet që mund të shkaktohen nga vidat, gozhdët dhe elementet e tjera në materialin e punës; hiqni ato para se të filloni punën

- **Siguroni materialin e punës** (një material i shtrënguar me një pajisje shtrëngimi ose morsë mbahet në mënyrë më të sigurt se sa me dorë)

#### GJATË PËRDORIMIT

- **Mabajni veglën e punës nga sipërfaqet e izoluar a kapjes kur kryeni një veprim ku aksesori i prerjes mund të bjerë në kontakt me tela të fshehur ose kordoni e tij** (një aksesori i prerjes që bie në kontakt me një tel elektrik mund të bëjë që pjesët metalike të ekspozuara të pajisjes të transmetojnë elektricitetin dhe të shkaktojnë goditjen elektrike të përdoruesit)
- Mbajeni gjithmonë kordonin larg nga pjesët e lëvizshme të veglës; drejtojeni kordonin në anën e pasme, larg nga vegla
- Nëse kordoni dëmtohet ose pritet gjatë punës, mos e prekni kordonin por hiqni menjëherë spinën
- Mos e përdorni kurrë veglën kur kordoni është i dëmtuar; zëvendësojeni nga një person i kualifikuar
- Në rast të një defekti elektrik ose mekanik, fikni menjëherë pajisjen dhe hiqni spinën
- Mbajni duart larg nga thika e sharrës kur pajisja është në përdorim

#### AKSESORËT

- SKIL mund të garantojë funksionimin pa probleme të veglës vetëm kur përdoren aksesoret origjinale
- Mos përdorni një thika sharre që është e krisur, e deformuar ose jo e mprehtë

#### PËRDORIMI NË AMBIENTE TË JASHTME

- Kur e përdorni në ambiente të jashtme, lidhni pajisjen me një automat të korrentit të defektit (FI) me rrymë aktivizuese maksimumi 30 mA, dhe përdorni vetëm një kordon zgjatues të projektuar për përdorim në ambiente të jashtme me një prizë kundër ujit

#### PAS PËRDORIMIT

- Kur ta largoni pajisjen, fikeni motorin dhe sigurohuni që të gjitha pjesët lëvizëse të kenë nduar plotësisht

#### SHPJEGIMI I SIMBOLEVE NË VEGËL

- ③ Lexoni manualin e udhëzimeve para përdorimit
- ④ Izolim i dyfishtë (nuk kërkohet tokëzim)
- ⑤ Mos e hidhni veglën bashkë me materialet e mbetjeve familjare

### PËRDORIMI

- Ndezje/Fikje ⑥
- Bllokimi i çelësit për përdorim në vazhdim ⑦
- Ndërrimi i thikave të sharrës ⑧
- **! futeni thikën deri në fund me dhëmbët përpara ⑨**
- Sharrimi në 45° ⑩
- për rezultate më të mira, zgjidhni modalitetin e sharrimit "all/curve"
- **! sigurohuni që pllaka e këmbës të jetë e rrafshët mbi kasën e pajisjes ⑩a ose ⑩b**
- Zgjedhja e modalitetit të sharrimit ⑪
- 1 përcaktim ("all/curve") për prerje të sakta në të gjitha materialet, të drejta + të harkuara
- 4 përcaktime për prerje të shpejta në materiale të ndryshme, vetëm prerje të drejta
- gri = metal
- blu = plastikë
- kafe = dru i fortë
- jeshile = dru i butë

- ! zgjidhni gjithmonë “all/curve” kur sharroni materiale që bëjnë shumë ashkla
- Rregullimi i shpejtësisë së sharrimit për materialin e përdorur ⑫
- ! nëse pajisja nuk funksionon me rrotën D në pozicionin 1, zgjidhni një shpejtësi më të lartë për sharrën dhe uleni shpejtësinë e sharrimit kur pajisja të jetë në punë
- Thithja e pluhurave ⑬a
- ! mos përdorni një fshesë më korrent kur prisni metale
- Fryrja e pluhurave ⑬b
- Drita ndriçuese ⑭
- Funksionimi i veglës
  - para se ta ndizni pajisjen, sigurohuni që ana përpara e pllakës mbështetëse të jetë rrafsh mbi materialin e punës
  - mbajeni veglën mirë me të dyja duart, në mënyrë që të keni kontroll të plotë të veglës në të gjitha momentet
- ! gjatë punës, mbajeni gjithmonë veglën në zonën(at) e dorezës me ngjyrë gri ⑮
- sigurohuni që e gjithë sipërfaqja e pllakës mbështetëse të qëndrojë fort mbi materialin e punës
- ! sigurohuni që lama të ketë ndaluar plotësisht para se ta hiqni veglën nga materiali i punës
- mbajeni të çarat e ajrimit G ② të pambuluara

## KËSHILLË PËR PËRDORIMIN

- Përdorni thikat e duhura për sharrën ⑯
- ! përdorni vetëm thika T-shank (me skaj T) ⑰
- Kur prisni metale, lubrifikojeni thikën e sharrës rregullisht me vaj
- Për një prerje të drejtë me saktësi, lëvizeni pajisjen me pllakën mbështetëse përgjatë anës së një druri të drejtë ⑱
- Shpioni paraprakisht një vrimë para se të kryeni të çara ⑲
- Prerje pa ashkla
  - mbulojeni vijën e prerjes me disa shtresa ngjites të gjerë para prerjes
  - vendoseni gjithmonë poshtë anën e mirë të materialit të punës
- Për më shumë këshilla, vizitoni [www.skil.com](http://www.skil.com)

## MIRËMBAJTJA / SHËRBIMI

- Kjo vegël nuk është e projektuar për përdorim profesional
- Mbajeni gjithmonë veglën dhe kordonin të pastër (veçanërisht të çarat e ajrosjes G ②)
- ! shkëputni spinën para pastrimit
- Nëse pajisja ka defekt pavarësisht kujdesit në prodhim dhe procedurat e provave, riparimi duhet të kryhet nga një qendër e shërbimit pas shitjes për veglat e punës të SKIL
  - dërgoni veglën të çmontuar së bashku me vërtetimin e blerjes te shitësi ose te qendra më e afërt e shërbimit e SKIL (adresat si dhe diagrami i shërbimit i veglës janë të paraqitura në [www.skil.com](http://www.skil.com))

## MJEDISI

- Mos i hidhni veglat elektrike, aksesorët dhe paketimin së bashku me materialet e mbeturinave familjare (vetëm për vendet e BE-së)
  - në respektim të Direktivës evropiane 2012/19/EC për pajisjet elektrike dhe elektronike si mbetje dhe zbatimin e saj në përputhje me ligjet kombëtare, pajisjet elektrike që kanë arritur në fund të jetëgjatësisë së tyre duhet të mblidhen të ndara dhe të kthehen në një objekt riciklimi në përputhje me mjedisin.
  - simboli ⑤ do t'ju kujtojë për këtë gjë kur të jetë nevoja për t'i hedhur

## ZHURMA/VIBRIMI

- E matur në përputhje me EN 60745, niveli i trysnisë së tingullit i kësaj pajisje është 90 dB(A) dhe niveli i fuqisë së tingullit 101 dB(A) (shmangia standarde: 3 dB) dhe vibrimi \* m/s<sup>2</sup> (shuma vektor i tre drejtime; pasiguria K = 1,5 m/s<sup>2</sup>)
  - \* kur prisni dru 8,8 m/s<sup>2</sup>
  - \* kur prisni metal 13,3 m/s<sup>2</sup>
- Niveli i emetimit të vibrimit është matur në përputhje me një provë të standardizuar të dhënë në EN 60745; ajo mund të përdoret për të krahasuar një vegël me një tjetër dhe si një vlerësim paraprak i ekspozimit ndaj vibrimit kur përdorni pajisjen për proceset e përmendura
  - përdorimi i pajisjes për procese të ndryshme, ose me aksesorë të ndryshëm dhe të mirëmbajtur keq, mund të rritë ndjeshëm nivelin e ekspozimit
  - kohët kur pajisja është e fikur dhe kur është e ndezur por jo në punë, mund të zvogëlojnë ndjeshëm nivelin e ekspozimit
- ! mbronni veten nga efektet e vibrimit duke mirëmbajtur pajisjen dhe aksesorët e saj, duke i mbajtur duart e ngrohta dhe duke organizuar mënyrën tuaj të punës



- ابزار را خیلی محکم با هر دو دست بگیرید. تا در تمام اوقات روی ابزار کنترل کامل داشته باشید
- ! **هنگام کار باید همیشه ابزار را از دستگیره (های) خاکستری رنگ بگیرید**
- ⑩
- اطمینان حاصل کنید که سطح کامل صفحه زیرین ابزار محکم روی قطعه کار قرار می گیرد
- ! **قبل از اینکه ابزار را از قطعه کاری جدا کنید، مطمئن شوید که تیغه به توقف کامل رسیده باشد**
- شیارهای تهویه G (T) را مسدود نکنید

## توصیه های کاربردی

- از تیغه اره های مناسب استفاده کنید ⑪
- ! **فقط از تیغه اره های با ساق T شکل استفاده شود** ⑫
- هنگام برش فلزات، تیغه اره را مرتباً روغن کاری کنید
- برای بدست آوردن برشی صاف و دقیق صفحه زیرین ابزار را به موازات یک تکه چوب صاف هدایت کنید ⑬
- پیش از برش برای بیرون آوردن یک تکه، ابتدا یک سوراخ ایجاد کنید ⑭
- برش بدون تراشه
- خط برش را پیش از شروع برش با چند لایه چسب پهن بپوشانید
- همیشه طرف خوب قطعه کاری را به سمت پایین قرار دهید
- برای نکات بیشتر به [www.skil.com](http://www.skil.com) مراجعه کنید

## نگهداری / سرویس - خدمات

- این ابزار برای مصارف حرفه ای مناسب نیست
- همیشه ابزار و سیم برق را تمیز نگهدارید (به خصوص شیارهای تهویه G (T))
- ! **پیش از تمیز کردن سیم برق را از برق بکشید**
- اگر ابزار غیرمعمول تمام دقت و مراقبتی که در فرایندهای تولید و تست بکار برده شده از کار افتاد، تعمیرات باید فقط در مراکز خدمات پس از فروش ابزارهای برقی SKIL انجام شود
- ابزار را بصورت باز نشده همراه با رسید خرید به فروشنده یا نزدیک ترین مرکز خدمات رسانی SKIL بفرستید (آدرسها به همراه نمودار نقشه های سرویس ابزار در [www.skil.com](http://www.skil.com) موجود است)

## محیط زیست

- ابزارهای برقی، لوازم و متعلقات و بسته بندی آنها را نباید همراه با زباله های عادی خانگی دور انداخت (فقط مخصوص کشورهای عضو اتحادیه اروپا)
- با توجه به مصوبه اروپایی 2012/19/EC اروپا درباره لوازم برقی و الکترونیکی مستعمل و اجرای این مصوبه مطابق با قوانین کشوری، ابزارهای برقی که به پایان عمر مفید خود رسیده اند باید جداگانه جمع آوری شده و به یک مرکز بازیافت مناسب و سازگار با محیط زیست انتقال یابند
- علامت (D) یادآور این مسئله در هنگام دور انداختن است

## صداء ارتعاشات

- اندازه گیری ها بر اساس استاندارد EN 10745 انجام و مشخص شد که میزان فشار صوتی این ابزار ۹۰ دسی بل و میزان توان صوتی آن ۱۰۱ دسی بل (با انحراف استاندارد ۳: دسی بل)، و میزان ارتعاشات \* می باشد (جمع بردارهای سه جهت K = ۱,۵ متر/مخزور ثانیه)
- \* در صورت برش چوب ۸,۸ متر/مخزور ثانیه
- \* در صورت برش فلزات ۱۳,۳ متر/مخزور ثانیه
- میزان انتشار ارتعاشات بر اساس تست استاندارد شده ای که در EN 10745 معرفی شده است اندازه گیری گردید؛ از این ارقام می توان برای مقایسه یک ابزار با دیگری و بعنوان ارزیابی اولیه به معرض فرارگیری ارتعاشات هنگام کار با ابزار در کاربری های فوق استفاده کرد
- استفاده کردن از ابزار برای کاربردهای متفاوت، یا با لوازم و متعلقات متفاوت و متفرقه یا لوازم و متعلقاتی که بد نگهداری شده اند، می تواند میزان در معرض قرارگیری را بطور قابل ملاحظه ای افزایش دهد
- مواقعی که ابزار خاموش است یا روشن است ولی کاری با آن انجام نمی شود، میزان در معرض قرارگیری بطور قابل توجهی کاهش می یابد
- ! **با نگهداری مناسب از ابزار و لوازم و متعلقات آن، گرم نگهداشتن دست های خود، و سازمان دهی طرح های کاری می توانید خود را در برابر اثرات ارتعاش محافظت کنید**

- ب) در صورت ایراد در کلید قطع و وصل ابزار برقی، از دستگاه استفاده نکنید. ابزار الکتریکی که نمی توان آنها را قطع و وصل کرد. خطرناک بوده و باید تعمیر شوند.
- ت) قبل از تنظیم ابزار الکتریکی، تعویض متعلقات و یا کنار گذاشتن آن، دوشاخه را از برق کشیده و با باتری آنرا خارج کنید. رعایت این اقدامات پیشگیری ایمنی از آزار فزاینده ناخواسته ابزار الکتریکی جلوگیری می کند.
- ث) ابزار الکتریکی در صورت عدم استفاده، از دسترس کودکان دور نگاهدارید. اجازه ندهید که افراد نا وارد و یا اشخاصی که این دفتر چه راهنما را نتوانند اند، با این دستگاه کار کنند. قرار گرفتن ابزار الکتریکی در دست افراد ناوارد و بی تجربه خطرناک است.
- ج) از ابزار الکتریکی خوب مراقبت کنید. مواظب باشید که قسمت های متحرک دستگاه خوب کار کرده و گیر نکنند. همچنین دقت کنید که قطعات ابزار الکتریکی شکسته و یا آسیب دیده نباشند. قطعات آسیب دیده را قبل از شروع به کار تعمیر کنید. علت بسیاری از سوانح کاری، عدم مراقبت کامل از ابزارهای الکتریکی می باشد.
- ح) ابزار برش را تیز و تمیز نگاهدارید. ابزار برشی که خوب مراقبت شده و از لبه های تیز برخوردارند، کمتر در قطعه کار گیر کرده و بهتر قابل هدایت می باشند.
- خ) ابزارهای الکتریکی، متعلقات، ابزار که روی دستگاه نصب می شوند و غیره را مطابق دستورات این جزوه راهنما طوری به کار بگیرید که با مدل این دستگاه تناسب داشته باشند. همچنین به شرایط کاری و نوع کار توجه کنید. کاربرد ابزار برقی برای موارد کاری که برای آن در نظر گرفته نشده است، میتواند شرایط خطرناکی را منجر شود.
- ۵) سرویس
- ا) برای تعمیر ابزار الکتریکی فقط به متخصصین حرفه ای رجوع کرده و از وسایل یکدی اصل استفاده کنید. این باعث خواهد شد که ایمنی دستگاه شما تضمین گردد.

#### هشدارهای ایمنی برای اَره های عمودبر

- عمومی**
- همیشه مطمئن شوید که ولتاژ ورودی دستگاه برابر ولتاژی باشد که روی پلاک دستگاه نوشته شده است (ابزارهایی که ولتاژ ورودی آنها ۲۳۰ یا ۲۴۰ ولت مشخص شده است می توانند با برق ۲۲۰ ولت هم کار کنند)
  - عملکرد ابزار را پیش از هر بار استفاده کنترل کرده. در صورت مشاهده اشکال دستگاه را فوراً برای تعمیر نزد یک تعمیرکار ماهر ببرید؛ هرگز خودتان ابزار را باز نکنید
  - با موادی حاوی آزیست کار نکنید (آزیست سرطان زا است)
  - افراد کمتر از ۱۶ سال نباید با این دستگاه کار کنند
  - میزان صدای تولید شده توسط این ابزار در حین کار می تواند از ۸۵ دسی بل بیشتر شود؛ از گوشه های محافظ استفاده کنید
  - هنگام کار با موادی که تراشه ایجاد می کنند از عینک های محافظ استفاده کنید
  - گرد و خاکی که از موادی مانند رنگ های حاوی سرب، برخی گونه های چوب، مواد معدنی و فلزات بلند می شود می تواند خطرناک باشد (ماس با این گرد و خاکها و یا تنفس آنها می تواند در کاربران ابزار یا افراد نزدیک به محل کار واکنش های حساسیتی ویا بیماری های تنفسی ایجاد کند)؛ یک ماسک مخصوص گرد و خاک بزنید و در صورت امکان از یک وسیله مکش گرد و خاک استفاده کنید
  - برخی از گرد و خاکها (مانند گرد و خاکی که از چوب بلوط یا راش بلند می شود) علی الخصوص در مجاورت افزودنی های مخصوص چوب، سرطان زا هستند؛ یک ماسک مخصوص گرد و خاک بزنید و در صورت امکان از یک وسیله مکش گرد و خاک استفاده کنید
  - از مقررات ملی مربوط به گرد و خاک موادی که می خواهید با آنها کار کنید پیروی نمایید
  - سیم های رابط برق باید کاملاً باز شده و ایمن باشند. از سیم هایی با رده بندی ۱۱ آمپر
  - قبل از هرگونه تنظیم یا تعوض کردن لوازم و ملحمتعلقات حتماً باید سیم برق دستگاه را از پریز بکشید
- پیش از استفاده**
- پیش از شروع برش تمام موانع موجود در بالا یا زیر مسیر برش را بردارید
  - پیچ ها، میخ ها و سایر اجزا دیگر می توانند به قطعه کاری شما آسیب بزنند؛ بنابراین پیش از شروع کار آنها را بردارید
  - قطعه کاری را محکم کنید (اگر قطعه کاری را با گیره های جاری یا گیره های رومیزی ثابت کنید بسیار مطمئن تر از گرفتن آن با دست خواهد بود)

#### در حین استفاده

- هنگام استفاده از ابزار در مواردی که امکان دارد متعلقات برش یا سیم های پنهان شده یا سیم های خود ابزار تاس پیدا کنند. حتماً ابزار را از جای دست های مخصوص عایق شده بگردید (ماس متعلقات برش یا سیم های «برق دار» می تواند در بخش های فلزی دستگاه نیز جریان «برق» تولید کرده و موجب شوک برقی استفاده کننده شود)
  - همیشه سیم برق را از بخشهای متحرک ابزار دور بگیرید؛ سیم را به سمت پشت، دور از ابزار بگیرید
  - اگر سیم برق آسیب دیده یا بریده شده باشد، هرگز به سیم دست نزنید، اما فوراً آنرا از پریز بکشید
  - وقتی که سیم برق ابزار آسیب دیده هرگز از آن استفاده نکنید و از یک فرد متخصص بخواهید آنرا برای شما عوض کند
  - در صورت بروز اشکالات برقی یا مکانیکی، فوراً ابزار را خاموش کرده و سیم برق آنرا از پریز بکشید
  - هنگامی که ابزار در حال کار است دست های خود را از تیغه اَره دور نگه دارید
- متعلقات**
- SKIL در صورتی که از متعلقات اصلی استفاده کنید عملکرد بدون مشکل ابزار را تضمین می نماید
  - اگر تیغه اَره ترک دارد، تغییر شکل یافته یا کند شده است از آن استفاده نکنید
- استفاده در فضای آزاد**
- اگر می خواهید از ابزار در فضای آزاد استفاده کنید، باید ابزار را حتماً با یک مدارشکن جریان خطا (FI) با سقف جریان حداکثر ۳۰ میلی آمپر وصل کرده و فقط از سیم رابط های ایمن استفاده کنید که مخصوص فضای آزاد بوده و دارای پریز-اتصال ضد ریزش آب می باشند

#### بعد از استفاده

- وقتی که کار شما با ابزار تمام شد، حتماً موتور آنرا خاموش کرده و مطمئن شوید که تمام بخشهای متحرک آن از حرکت ایستاده اند
- شرح علائم و نمادهای روی ابزار
- پیش از کار حتماً دفترچه راهنما را مطالعه کنید
- عایق دوگانه (تیناز) به سیم اتصال به زمین - ارت نیست
- ابزار را همراه زباله های خانگی دور نیندازید

#### استفاده

- روشن/خاموش ①
- ضامن برای کار پیوسته ②
- عوض کردن تیغه اَره ③
- تیغه اَره در حالتی که ندانند های آن به سمت جلو باشند بطور کامل در جای خود قرار دهید ④
- اَره کاری در زاویه ۴۵ درجه ⑤
- برای کسب بهترین نتیجه، حالت اَره کاری «all/curve» را انتخاب کنید
- ! اطمینان حاصل کنید که صفحه پایه کاری صاف روی بدنه ابزار قرار گیرد ⑥
- انتخاب حالت اَره کاری ⑦
- ۱ - تنظیم «همه/منحنی» برای برش دقیق کلیه مواد صاف + منحنی
- ۲ - تنظیم برای برش سریع مواد مختلف. فقط برش های صاف خاکستری = فلز
- آبی = پلاستیک
- قهوه ای = چوب سخت
- سبز = چوب نرم
- ! در صورت برش مواد حساس به ایجاد تراشه، همیشه «همه/منحنی» را انتخاب کنید
- تنظیم سرعت اَره کاری بر اساس جنس قطعه کاری ⑧
- ! اگر ابزار زمانی که کلید الکترونیک D در وضعیت ۱ است کار نمی کند، سرعت اَره کاری را بالاتر انتخاب کرده و سرعت اَره کاری را موقعی که ابزار در حال کار است کم کنید
- مکش گرد و غبار ⑨
- ! هنگام بریدن فلزات نباید از جاروبرقی استفاده کنید
- دمض گرد و غبار ⑩
- نورافشان ⑪
- کار کردن با ابزار
- - پیش از روشن کردن ابزار اطمینان حاصل کنید که انتهای جلوی صفحه زیرین ابزار صاف روی قطعه کاری قرار می گیرد

الكهربية المنتهية الصلابة بشكل منفصل وإرسالها إلى أحد منشآت إعادة التصنيع المتوافقة مع البيئة:  
 - سيذكر الرمز ⑤ بهذا عند الحاجة إلى التخلص من أية أداة:

## الضوضاء/الاهتزاز

- عند القياس بالتوافق مع EN 1.0.45 EN يكون مستوى ضغط صوت هذه الأداة 90 ديسيبل (أ) ومستوى طاقة الصوت 101 ديسيبل (أ) (الانحراف المعياري 3؛ ديسيبل). والاهتزاز\* (مجموع المنحنيات بثلاثة: K مؤثر غير 1.0 م/ث²)  
 \* عند قطع الأخشاب 8.8 م/ث²  
 \* عند قطع المعادن 13.3 م/ث²
- تم قياس مستوى الاهتزازات بالتوافق مع الاختيار المعياري المحدد في EN 1.0.45: يمكن استخدامه لمقارنة أداة بأداة أخرى وكتقييم مهيمي للتعرض للاهتزاز عند استخدام الأداة في التطبيقات الموصحة:
- قد يؤدي استخدام الأداة في تطبيقات مختلفة أو مع ملحقات مختلفة أو ذات صيانة رديئة إلى زيادة مستوى التعرض بصورة كبيرة:
- إن الضعفة الزمنية التي يتم خلالها إيقاف تشغيل الأداة أو عندما تكون قيد التشغيل لكنها لا تؤدي أية مهام، تؤدي إلى تقليل مستوى التعرض بصورة كبيرة:
- ! قم بحماية نفسك من تأثيرات الاهتزاز من خلال صيانة الأداة وملحقاتها. وانحافظ على يدك دائمين وتنظيم أعطاك العمل لديك:



## آرة عمودبر

٤٣٧٠

### مقدمه

- این ابزار برای ایجاد برش و بریدن قطعاتی از چوب، پلاستیک، فلز، صفحات سرامیکی و لاستیک طراحی شده و برای اجرای برش های صاف و منحنی با زوایای ۰ تا ۴۵ درجه مناسب است
- چراغ این ابزار برقی برای روشن ساختن ناحیه مستقیم کاری ابزار برقی می باشد و برای روشن کردن اتاق ها در خانه مناسب نیست
- این ابزار برای مصارف حرفه ای مناسب نیست
- لطفاً این دفترچه راهنما را مطالعه کرده و نگهدارید ③

## اطلاعات فنی ①

### اجزای ابزار ②

- A کلید روشن/خاموش
- B ضامن قفل کننده
- C اهرم انتخاب حالت آره کاری
- D کلید الکترونیک تنظیم سرعت آره کاری
- E کلید دمش گرد و غبار
- F نورافشان
- G شیارهای تهویه

## ایمنی

### راهنمای ایمنی عمومی

**⚠ هشدار!** همه دستورات ایمنی و راهنمایی ها را بخوانید. اشتباهات ناشی از عدم رعایت این دستورات ایمنی ممکن است باعث برق گرفتگی، سوختگی و یا سایر جراحات های شدید شود. همه هشدار های ایمنی و راهنمایی ها را برای آینده خوب نگهداری کنید. هرچا در این راهنما از «ابزار الکتریکی» صحبت میشود. منظور ابزارهای الکتریکی (باسیم برق) و یا ابزارهای الکتریکی باطری دار (بدون سیم برق) می باشد.

### ① ایمنی محل کار

① محل کار خود را تمیز، مرتب و مجهز به نور کافی نگهدارید. محیط کار نامرتب و کم نور میتواند باعث سوانح کاری شود.

ب) یا ابزار الکتریکی در محیط هایی که در آن خطر انفجار وجود داشته و حاوی مایعات، گازها و غبارهای محترقه باشد، کار نکنید. ابزارهای الکتریکی جرقه

های ایجاد می کنند که می توانند باعث آتش گرفتن گرد و بخار های موجود در هوا شوند.

ت) هنگام کار با ابزار الکتریکی، کودکان و سایر افراد را از دستگاه دور نگهدارید. در صورتیکه حواس شما پرت شود، ممکن است کنترل دستگاه از دست شما خارج شود.

### ② ایمنی الکتریکی

ا) دوشاخه ابزار الکتریکی باید با پریز برق تناسب داشته باشد. هیچگونه تغییری در دوشاخه ندهید. مبدل دوشاخه نباید همراه با ابزار الکتریکی دارای اتصال به زمین (ارت شده) استفاده شود. مبدل دوشاخه نباید همراه با ابزار الکتریکی دارای اتصال به زمین (ارت شده) استفاده شود.

ب) از تماس بدنی با قطعات دارای سیم اتصال به زمین (ارت شده) مانند لوله، شومافز، اجاق برقی و یخچال خود داری کنید. در صورتیکه بدن شما با سیم دارای اتصال به زمین (ارت شده) تماس پیدا کند، خطر برق گرفتگی بیشتر خواهد شد.

ت) دستگاه را از باران و رطوبت دور نگهدارید. نفوذ آب به ابزار الکتریکی، خطر شوک الکتریکی را افزایش می دهد.

ث) از سیم به درستی استفاده کنید. از سیم دستگاه برای کارهایی چون حمل ابزار الکتریکی، آویزان کردن آن و یا خارج کردن دوشاخه از برق استفاده نکنید. دستگاه را در مقابل حرارت، روغن، لبه های تیز و بخش های متحرک دستگاه دور نگهدارید. کابل های آسیب دیده و یا گره خورده خطر شوک الکتریکی را افزایش می دهند.

ج) در صورتیکه با ابزار الکتریکی در محیط باز کار می کنید، تنها از کابل را بطی استفاده کنید که برای محیط باز نیز مناسب باشد. کابل های رابط مناسب برای محیط باز، خطر برق گرفتگی را کم می کنند.

ح) در صورت لزوم کار با ابزار الکتریکی در محیط و اماکن مرطوب، در اینصورت باید از یک کلید حفاظتی جریان خطا و نشستی زمین (کلید قطع کننده اتصال با زمین) استفاده کنید. استفاده از کلید حفاظتی جریان خطا و نشستی زمین خطر برق گرفتگی را کمتر می کند.

### ③ رعایت ایمنی اشخاص

ا) حواس خود را خوب جمع کنید، به کار خود دقت کنید و با فکر و هوش کامل با ابزار الکتریکی کار کنید. در صورت خستگی و یا در صورتیکه مواد مخدر، الکل و دارو استفاده کرده اید، با ابزار الکتریکی کار نکنید. یک خطه بی توجهی هنگام کار با ابزار الکتریکی، میتواند جراحات های شدیدی به همراه داشته باشد.

ب) همواره از تجهیزات ایمنی شخصی استفاده کنید. همواره از عینک ایمنی استفاده کنید. استفاده از تجهیزات ایمنی مانند ماسک ایمنی، کفش های ایمنی ضد لغزش، کلاه ایمنی و گوشی ایمنی متناسب با نوع کار با ابزار الکتریکی، خطر مجروح شدن را تقلیل می دهد.

ت) مواظب باشید که ابزار الکتریکی بطور ناخواسته بکار نیفتد. قبل از وارد کردن دوشاخه دستگاه در پریز برق، اتصال آن به باطری، برداشتن آن و یا حمل دستگاه، باید دقت کنید که ابزار الکتریکی خاموش باشد. در صورتیکه هنگام حمل دستگاه انگشت شما روی دکمه قطع و وصل باشد و یا دستگاه را در حالت روشن به برق بزنید، ممکن است سوانح کاری پیش آید.

ث) قبل از روشن کردن ابزار الکتریکی، باید همه ابزار های تنظیم کننده و آچار ها را از روی دستگاه بردارید. ابزار آچارهایی که روی بخش های چرخنده دستگاه قرار دارند، می توانند باعث ایجاد جراحات شوند.

ج) پیش از حد به آنها نزدیک نشوید. برای کار جای مطمئن برای خود انتخاب کرده و تعداد خود را همواره حفظ کنید. به این ترتیب می توانید ابزار الکتریکی را در وضعیت های غیر منتظره بهتر تحت کنترل داشته باشید.

ح) لباس مناسب بپوشید. از پوشیدن لباس های فراخ و حمل زینت آلات خود داری کنید. موها، لباس و دستکش ها را از بخش های در حال چرخش دستگاه دور نگهدارید. لباس های فراخ، موی بلند و زینت آلات ممکن است در قسمت های در حال چرخش دستگاه گیر کنند.

خ) در صورتیکه می توانید وسایل مکش گرد و غبار و یا وسیله جذب زائده را به دستگاه نصب کنید، باید مطمئن شوید که این وسایل نصب و درست استفاده می شوند. استفاده از وسایل مکش گرد و غبار مصونیت شما را در برابر گرد و غبار زیاد تر می کند.

### ④ استفاده صحیح از ابزار الکتریکی و مراقبت از آن

ا) از وارد کردن فشار زیاد روی دستگاه خود داری کنید. برای هر کاری، از ابزار الکتریکی متناسب با آن استفاده کنید. بکار گرفتن ابزار الکتریکی مناسب باعث می شود که بتوانید از توان دستگاه بهتر و با اطمینان بیشتر استفاده کنید.

- لا تعمل باستخدام مواد تشتمل على الألبستوس (يعتبر الألبستوس مادة مسرطنة)؛
- لا يجب استخدام هذه الأداة من قبل الأشخاص الأقل من 16 عام؛
- قد يزيد مستوى الضوضاء أثناء العمل عن 85 ديسيبل (أ). لذا قم بارتداء واقبات للذنن
- ارتد نظارات واقية عند العمل باستخدام مواد يتخلف عنها رقائق نشارة؛
- الغبار الناتج من المواد كالطلاء الذي يحتوي على رصاص وبعض أنواع الأخشاب والمعادن والمكونات المعدنية قد يكون ضاراً (ملازمة أو استنشاق الغبار قد تتسبب في إصابة المشغل أو من يجاوره بأمراض الحساسية وأو أمراض الجهاز التنفسي)؛
- قم بارتداء قناع للغبار مع العمل باستخدام جهاز شفط للغبار، طالما أمكن توصيله
- ثمة أنواع معينة من الغبار تُصنّف على أنها مواد مسببة للسرطان (مثل غبار خشب البلوط والزنان) خاصة عند استخدامها مع مواد مضافة لمعالجة الخشب؛
- قم بارتداء قناع للغبار مع العمل باستخدام جهاز شفط للغبار، طالما أمكن توصيله
- التزم بالمتطلبات الوطنية الخاصة بالغبار عند العمل باستخدام المواد المطلوبة
- استخدم أسلاك عميد مفكوكة تماماً وأمنة سعة 16 (أمبير) 13 (أمبير في بريطانيا العظمى)
- احرص دائماً على فصل القابس من مصدر الطاقة قبل القيام بأية عمليات ضبط أو تغيير أية ملحقات؛
- قبل بدء الاستخداف
- قبل بدء القطع قم بإزالة جميع العوائق التي توجد أعلى وأسفل مسار القطع
- تجنب الالتف الذي قد تتسبب فيه البرازي والمسامير والعناصر الأخرى الموجودة في القطعة التي تعمل بها. قم بفكهم قبل بدء العمل؛
- ثبت قطعة العمل الإمسك بقطعة عمل مثبتة بأجهزة تثبيت أو في ملزمة أكثر أماناً من مسكها باليد؛
- أثناء الاستخدام
- امسك بالأداة الكهربائية بواسطة أسطح إمساك معزولة وذلك عند القيام بأعمال قد تتعرض لملحقات القطع من خلاها إلى التلامس مع أسلاك غير ظاهرة أو مع السلك الخاص بها (تلامس ملحقات القطع مع سلك «متصل بالكهرباء» سيؤدي إلى «وصول التيار الكهربائي» إلى الأجزاء المعدنية المكشوفة وقد يعرض المشغل لصدمة كهربائية)
- حافظ دائماً على بقاء السلك بعيداً عن الأجزاء المتحركة بالأداة. ووجه السلك للخلف بعيداً عن الأداة؛
- في حالة تعرض السلك للثقل أو لقطع أثناء العمل. لا تلمس السلك وافصل القابس فوراً
- يحظر نهائياً استخدام الأداة في حالة تلف السلك. بل قم باستبداله من قبل أحد الأفراد المؤهلين
- في حالة حدوث خلل كهربائي أو ميكانيكي. أوقف تشغيل الأداة فوراً وافصل القابيس؛
- ابعد يدك عن نصل المنشار أثناء استخدام الأداة؛
- الملحقات
- تضمن SKIL التشغيل السليم للأداة فقط عند استخدام الملحقات الأصلية؛
- لا تستخدم نصل منشار يحتوي على شقوق أو معوج أو غير حاد؛
- الاستخدام في مناطق مفتوحة
- عند استخدام الأداة في مناطق مفتوحة. قم بتوصيل الأداة عبر قاطع تيار دائرة القصر (FI) باستخدام تيار بدء الإشعال مقدره 30 مللي أمبير بحد أقصى ولا تستخدم إلا سلك التمديد المخصص للاستخدام في المناطق المفتوحة والمزود بمقيس وصل مقاوم للريش؛
- بعد الاستخدام
- عندما تضع الأداة جانباً، أوقف تشغيل المحرك وتأكد من توقف جميع الأجزاء المتحركة بشكل تام
- شرح الرموز الموجودة على الأداة
- Ⓐ قم بقرارة دليل الإرشادات قبل الاستخدام
- Ⓒ العزل المزود (لا يلزم سلك أرضي)؛
- Ⓓ لا تتخلص من الأداة مع النفايات المنزلية؛

## الاستخدام

- التشغيل/إيقاف التشغيل ①
- تأمين الفتح للاستخدام للتواصل ⑦

- تغيير اتصال المنشار Ⓐ
- ! قم بإدخال النصل بالعمق الكامل بحيث تكون السنون موجهة للأمام ④؛
- النشر بزاوية 45 درجة ⑤
- للحصول على أفضل نتائج. اختر وضع النشر «all/curve»
- ! تأكد من سداد المنصة على مثبت الأداة (Ⓐ أو Ⓑ) على نحو مسطح؛
- اختيار نط النشر ⑧
- إعداد واحد «all/curve» لقطع دقيق في جميع المواد. مستقيم + منحني؛
- إعدادات الأداة لقطع سريع في مواد مختلفة. قطوعات مستقيمة فقط؛
- رمادي = معادن
- أزرق = بلاستيك
- بني = خشب صلب
- أخضر = خشب لين
- ! اختر «all/curve» دائماً عند نشر مواد حساسة للتشظي؛
- ضبط سرعة النشر مع المعدن المستخدمة ⑨
- ! إذا لم يعمل المنشار مع وجود العجلة D في الوضع 1. اختر سرعة نشر أعلى وخفض سرعة النشر أثناء تشغيل الأداة؛
- شفط الغبار ⑭
- ! لا تستخدم المكينة الكهربائية عند قطع المعادن؛
- نفض الغبار ⑮
- الضوء الكاشف ⑯
- تشغيل الأداة
- قبل تشغيل المنشار تأكد من أن الطرف الأمامي للمنصة يستند على نحو مستو على قطعة العمل؛
- احكم الإمسك بالأداة بكلتا يديك. بحث تتمكن من التحكم في الأداة تماماً طوال الوقت؛
- ! أثناء العمل. امسك الأداة دائماً من منطقة (مناطق) المقبض رمادية اللون ⑰؛
- تأكد من استناد سطح المنصة بالكامل على قطعة العمل بإحكام؛
- ! تأكد من توقف حركة الشفرة تماماً. قبل رفع الأداة عن قطعة العمل
- احرص على أن تكون فتحات التهوية Ⓓ غير مغطاة؛

## توصيات المستخدم

- استخدم اتصال المنشار الملائمة ⑱
- ! استخدم سنون ساق على شكل حرف T فقط: ⑳
- عند قطع المعادن. قم بتزليق نصل المنشار بانتظام بالزيت؛
- للحصول على قطع مستقيمة دقيق. وجه المنشار مع المنصة على امتداد حافة قطعة خشب مستقيمة ㉑
- قم بعمل ثقب خنثيري لفتحة قبل القيام بعمل قطوعات ㉒
- قطع بدون تشظي
- قم بتغطية خط القطع بعدة طبقات من شريط عريض قبل القيام بعملية القطع؛
- قم دائماً بتوجيه الجانب الجيد من قطعة العمل إلى أسفل؛
- لزيد من النصائح زور موقعنا [www.skil.com](http://www.skil.com)

## الصيانة / الخدمة

- لم يتم تصميم هذه الأداة للاستخدام الاحترافي؛
- احرص دائماً على نظافة الأداة والسلك (وخصوصاً فتحات التهوية Ⓓ)؛
- ! أفضل القابيس قبل التنظيف
- إذا تعذر تشغيل الأداة على الرغم من الخبز الشديد في إجراءات التصنيع والاختبار. فيجب القيام بالإصلاحات بواسطة مركز خدمة ما بعد البيع لأدوات الطاقة التابع لشركة SKIL؛
- قم بإرسال الأداة مون تفكيكها بالإضافة إلى إثبات الشراء إلى البائع أو أقرب محطة خدمة SKIL العناوين بالإضافة إلى مخطط الخدمة متاحان على [www.skil.com](http://www.skil.com)

## البيئة المحيطة

- لا تتخلص من الأدوات الكهربائية والملحقات ومواد التغليف مع النفايات المنزلية (الدول الأخاد الأوروبي فقط)؛
- وفقاً للتوجيه الأوروبي 2012/19/EC حول نفايات المعدات الكهربائية والإلكترونية وتطبيقه بالتوافق مع القانون المحلي. يجب جميع الأدوات

## مقدمة

- تم تصميم هذه الأداة لعمل قطع نافذة على شكل شرائح وقطوع منفصلة بالأخشاب والبلاستيك والمعادن والأطواق الخرفية والمطاط. كما تعد ملائمة لعمل قطع مستقيمة ومنحنية بزوايا قدرها ٤٥ أو ٤٥ درجة.
- تم تصميم المصباح الموجود في هذه الأداة الكهربائية لإضاءة منطقة عمل هذه الأداة الكهربائية مباشرة ولا يصلح لاستخدامه لأغراض الإضاءة المنزلية
- لم يتم تصميم هذه الأداة للاستخدام الاحترافي:
- اقرأ دليل التعليمات هذا واحتفظ به (٣)

## البيانات الفنية ①

## مكونات الأداة ②

- A مفتاح للتشغيل/الإيقاف
- B زر لضغط المصباح
- C ذراع لاختيار نمط النشر:
- D عجلة لضبط سرعة النشر:
- E مفتاح لضغط الغبار
- F الضوء المكاشف
- G فتحات التهوية

## أمان

## تعليمات السلامة العامة

**⚠** **تحذير!** اقرأ جميع الملاحظات التحذيرية والتعليمات. إن ارتكاب الأخطاء عند تطبيق الملاحظات التحذيرية والتعليمات قد يؤدي إلى الصدمات الكهربائية، إلى نشوب الحرائق أو أو الإصابة بجروح خطيرة. احتفظ بجميع الملاحظات التحذيرية والتعليمات للمستقبل. يقصد بمصطلح «العدة الكهربائية» المستخدم في الملاحظات التحذيرية، العدد الكهربائي الموصول بالشبكة الكهربائية (بواسطة كابل الشبكة (الكهربائية) وأيضاً العدد الكهربائي المزود بطارية (دون كابل الشبكة الكهربائية).

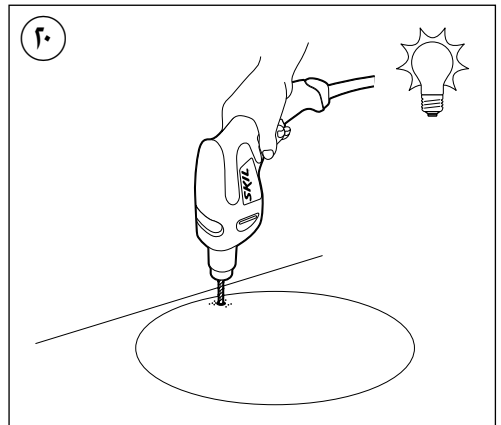
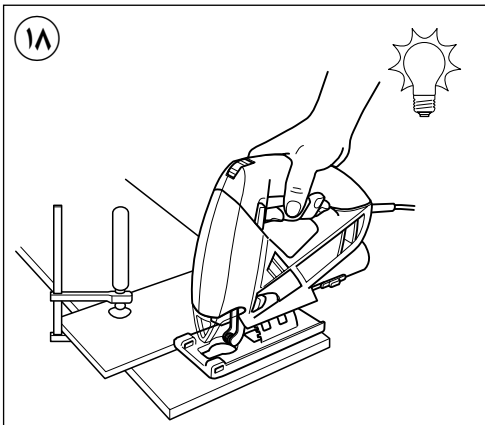
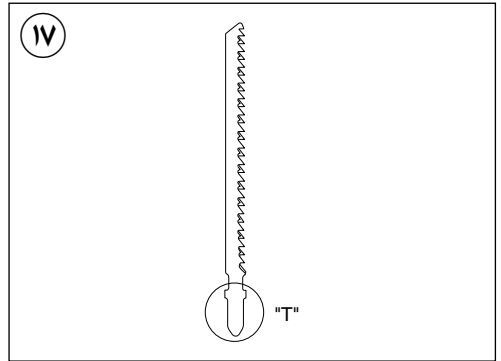
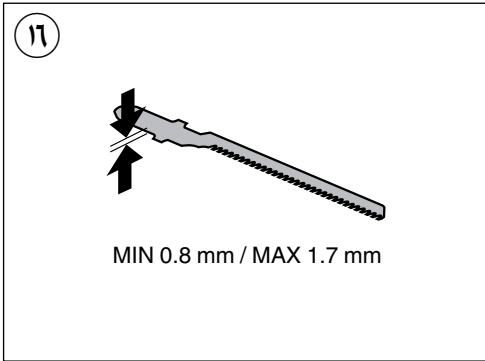
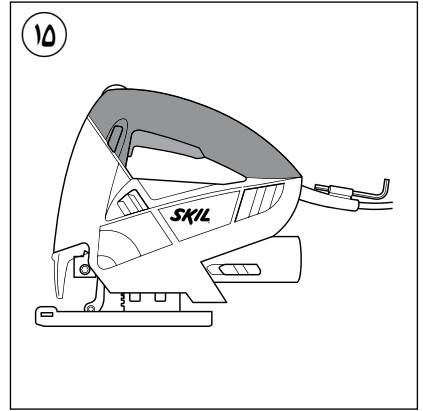
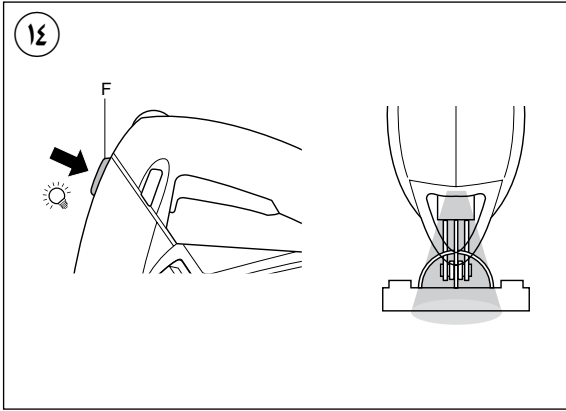
- ١) الأمان مكان الشغل
  - أ) حافظ على نظافة وحسن إضاءة مكان شغلك الفوضوية في مكان الشغل ومجالات العمل الغير مضاعة قد تؤدي إلى حدوث الحوادث.
  - ب) لا تشغل بالعدة الكهربائية في محيط معرض خطر الانفجار والذي تتوفر فيه السوائل أو الغازات أو الأبخرة القابلة للاشتعال. العدد الكهربائي تشكل الشر الذي قد يتطاير فيشعل الأبخرة والأخيرة.
  - ت) حافظ على بقاء الأطفال وغيرهم من الأشخاص على بعد عندما تستعمل الأداة الكهربائية. قد تفقد السيطرة على الجهاز عند التلهي.
- ٢) الأمان الكهربائي
  - أ) يجب أن يتلامس قابس وصل الأداة الكهربائية مع المقبس. لا يجوز تغيير القابس بأي حال من الأحوال. لا تستعمل القابسات المهيأة مع العدد الكهربائي الموضوعة تأريض وقائي. تخفف القابسات التي لم يتم تغييرها والمقابس الملائمة من خطر الصدمات الكهربائية.
  - ب) تجنب ملامسة السطوح الموضوعة كالألنابيب وراياتورات التدفئة والمدافئ أو البرادات بواسطة جسمك. يزداد خطر الصدمات الكهربائية عندما يكون جسمك موزج.
  - ت) أبعد الأداة الكهربائية عن الأمطار والرطوبة. يزداد خطر الصدمات الكهربائية إن تسرب الماء إلى داخل الأداة الكهربائية.
  - ث) يجب عدم إساعة استخدام الكابل. لا تنسى استعمال الكابل حمل الأداة الكهربائية أو تعليقها أو لسحب القابس من المقبس. حافظ على إبعاد الكابل عن الحرارة والزيت والحواف الحادة أو عن أجزاء الجهاز المتحركة. تزيد الكابلات التالفة أو المتشابكة من خطر الصدمات الكهربائية.
  - ج) استخدم فقط كابلات التمديد الصالحة للاستعمال الخارجي أيضاً عندما تشغل فقط الأداة الكهربائية في الحلاء. يخفف استعمال كابل تمديد مخصص للاستعمال الخارجي من خطر الصدمات الكهربائية.

ح) إن لم يكن بالإمكان عدم تشغيل الأداة الكهربائية في الأجواء الرطبة. فاستخدم مفتاح للوقاية من التيار المتدرج. إن استخدم مفتاح للوقاية من التيار المتردد يقلل خطر الصدمات الكهربائية.

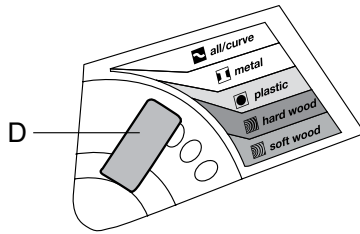
- ٣) أمان الأشخاص
  - أ) كن يقظاً وأنتبه إلى ما تفعله وقم بالعمل بواسطة الأداة الكهربائية بتعتل. لا تستخدم عدة كهربائية عندما تكون متعب أو عندما تكون تحت تأثير المخدرات أو الكحول أو الأدوية. عدم الإنبهارة للحظة واحدة عند استخدام الأداة الكهربائية قد يؤدي إلى إصابة خطيرة.
  - ب) ارتد عتاد الوقاية الخاص. وارتد دائماً نظارات واقية. يجب إرتداء عتاد الوقاية الخاص. كفتاح الوقاية من الغبار وأخذية الأمان الواقية من الإرتزاز والحوذ واقية الأذن. حسب نوع واستعمال الأداة الكهربائية. من خطر الإصابة بجروح.
  - ت) تجنب التشغيل بشكل غير مقصود. تأكد من كون الأداة الكهربائية مطفأة قبل وصلها بإمداد التيار الكهربائي و/ أو بالمركم، وقيل رفعها أو حملها. إن كنت تضع إصبعك على المفتاح أثناء حمل الأداة الكهربائية أو إن وصلت الجهاز بالشبكة الكهربائية عندما يكون قيد التشغيل. فقد يؤدي ذلك إلى حدوث الحوادث.
  - ث) انزع عدد الضبط أو مفتاح الربط قبل تشغيل الأداة الكهربائية. قد تؤدي الأداة أو الأوضاع المتواجدة في جزء دوار من الجهاز إلى الإصابة بجروح.
  - ج) تجنب أوضاع الجسم غير الطبيعية. قف بأمان وحافظ على توازنك دائماً. سيسمح لك ذلك من السيطرة على الجهاز بشكل أفضل في المواقف غير المتوقعة.
  - ح) ارتد ملابس مناسبة. لا ترتدي الثياب الفضفاضة أو الخلي. حافظ على إبقاء الشعر والثياب والقفازات على بعد عن أجزاء الجهاز المتحركة. قد تتشابك الثياب الفضفاضة والخلي والشعر الطويل بالأجزاء المتحركة.
  - خ) إن جاز تركيب جهاز شفط وجميع الغبار، فتأكد من أنها موصولة وبأنه يتم استخدامها بشكل سليم. قد يقلل استخدام جھيزات لشفط الأبخرة من المخاطر الناتجة عن الأبخرة.
  - د) حسن معاملة واستخدام العدد الكهربائي
    - أ) لا تفرط في تحميل الجهاز. استخدم لتنفيذ أشغالك الأداة الكهربائية المخصصة لذلك. إنك تعمل بشكل أفضل وأكثر أماناً بواسطة الأداة الكهربائية الملائمة في مجال الأمان المذكور.
    - ب) لا تستخدم الأداة الكهربائية إن كان مفتاح تشغيلها تالف. الأداة الكهربائية التي لم تعد تسمح بتشغيلها أو بإطفاؤها خطيرة ويجب أن يتم تصليحها.
    - ت) اسحب القابس من المقبس و/ أو انزع المركم قبل ضبط الجهاز وقيل إستبدال التوابع أو قبل وضع الجهاز جانباً. تمنع إجراءات الاحتياط هذه تشغيل الأداة الكهربائية بشكل غير مقصود.
    - ث) احتفظ بالعدد الكهربائي التي لا يتم استخدامها بعيداً عن متناول الأطفال. لا تسمح باستخدام الأداة الكهربائية لمن لاخيرة له بها أو لمن لم يقرأ تلك التعليمات. العدد الكهربائي خطيرة إن تم استخدامها من قبل أشخاص دون خبرة.
    - ج) اعن بالعدة الكهربائية بشكل جيد. تفحص عما إذا كانت أجزاء الجهاز المتحركة تعمل بشكل سليم وبأنها غير مستعصبة عن الحركة أو إن كانت هناك أجزاء مكسورة أو تالفة لدرجة تؤثر فيها على حسن أداء الأداة الكهربائية. ينبغي تصليح هذه الأجزاء التالفة قبل إعادة تشغيل الجهاز الكثير من الحوادث مصدرها العدد الكهربائي التي تم صيانتها بشكل ردي.
    - ح) حافظ على إبقاء عدد القطع نظيفة وحادة. إن عدد القطع ذات حواف القطع الحادة التي تم صيانتها بعناية تتكليس بشكل أقل ويمكن توجيهها بشكل أيسر.
    - خ) استخدم العدد الكهربائي والتوابع وعدد الشغل والخب حسب هذه التعليمات. تراعى أثناء ذلك شروط الشغل والعمل المراد تنفيذه. استخدم العدد الكهربائي لغير الأشغال المخصصة لأجلها قد يؤدي إلى حدوث الحالات الخطيرة.
    - د) الخدمة
      - أ) اسمح بتصليح عدتك الكهربائية فقط من قبل المتخصصين فقط وباستعمال قطع الغيار الأصلية. يؤمن ذلك المحافظة على أمان الجهاز.

## تعليمات السلامة الخاصة بمنشأر قطع النماذج

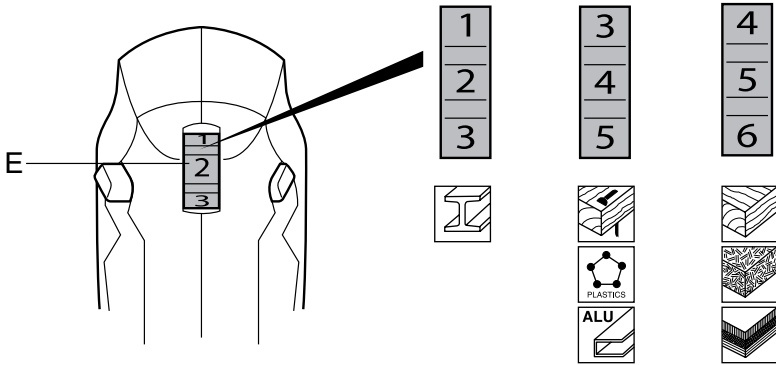
- معلومات عامة
  - تأكد دائماً من أن الفولت المزود هو نفسه المشار اليه على اللوحة الخاصة بالأداة (يمكن كذلك توصيل الأدوات ذات التصنيف ٢٣٠ فولت أو ٢٤٠ فولت بمصدر إمداد ٢٢٠ فولت؛
  - حقق من وظيفة الأداة قبل كل استخدام وفي حالة وجود عطل. فقم على الفور بإصلاحها على يد أحد المؤهلين ويحظر نهائياً فتح الأداة بنفسك؛



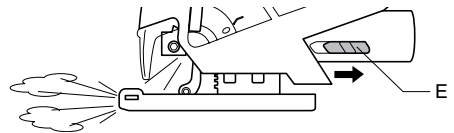
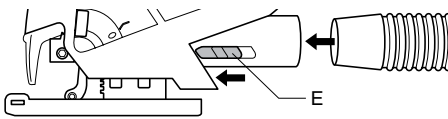
11



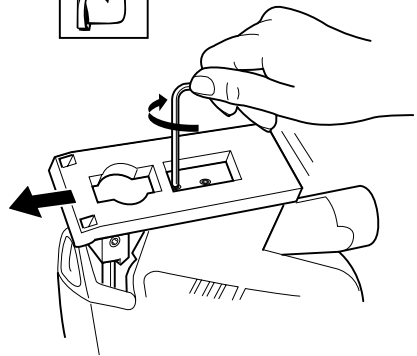
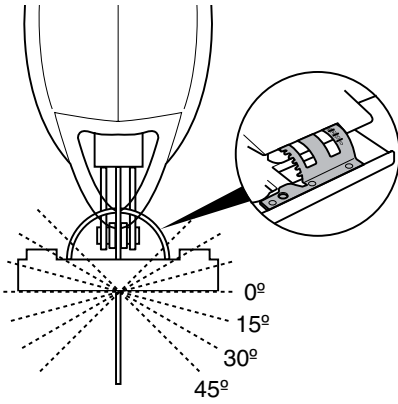
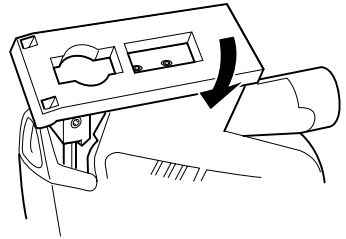
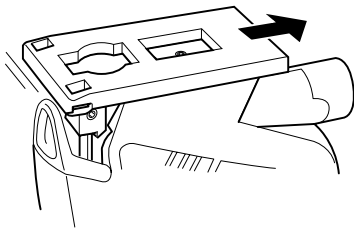
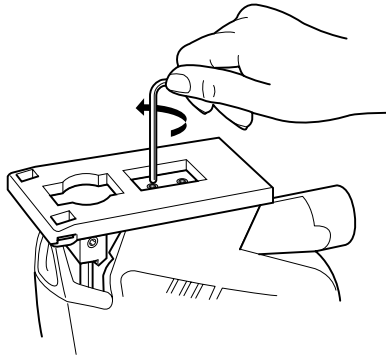
12



13

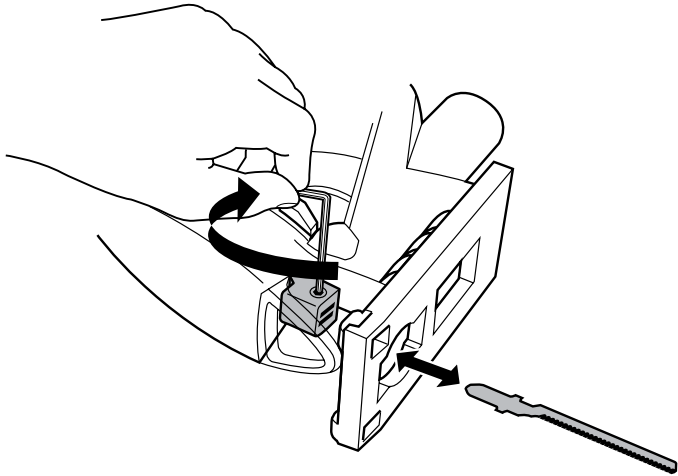


10

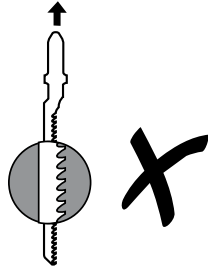
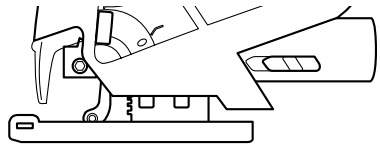
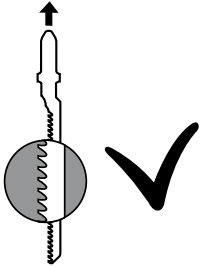
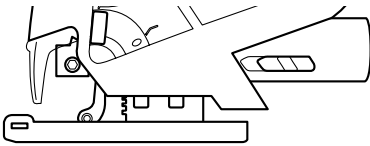




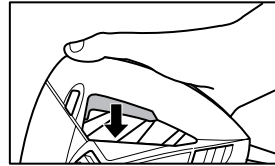
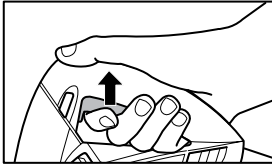
8



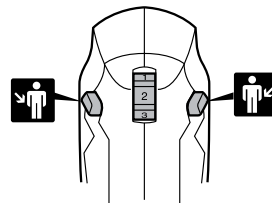
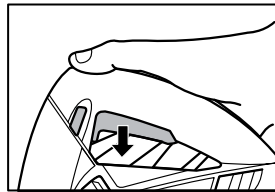
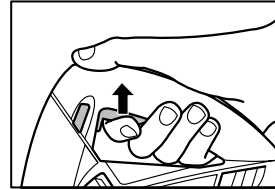
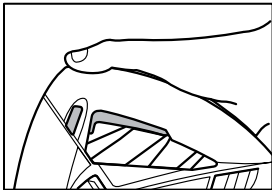
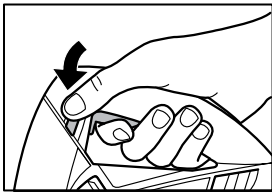
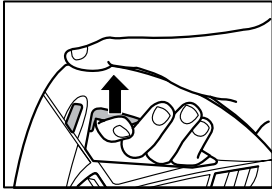
9



1




v




1

4370


550  
Watt

  
2,1 kg  
EPTA 01/2003

  
75 mm

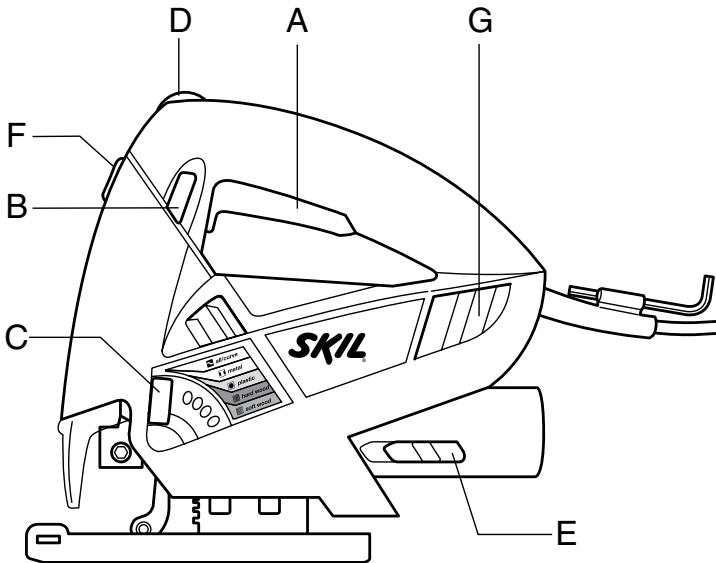
Alu  
  
12 mm

Fe  
  
4 mm

800-3000  
p/min  


230  
240  
V~  
50-60 Hz

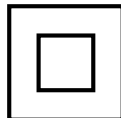
2



3



4

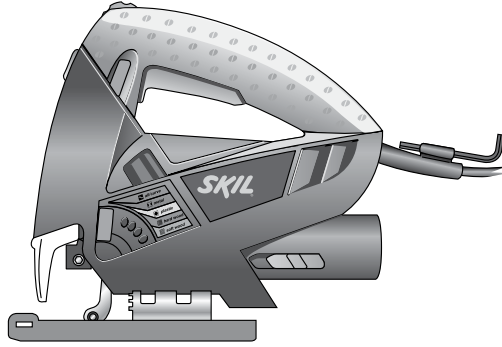


5



منشار قطع النماذج  
4370

**SKIL**<sup>®</sup>



دليل الاستعمال

AR

راهنمای اصلی

FA



2610Z07726

07/15

سکیل اروپا بی.ی. - کونینا نیرج 60  
4825 بی.دی. بریدا - هولندا



Сертификат о соответствии  
ТС KZ.7500052.22.01.04195  
Срок действия сертификата о соответствии  
по 09.07.2018  
ТОО «Центр Сертификации продукции и услуг»  
г. Алматы, ул Кабанбай батыра,  
уг. Калдаякова 51/78

ДАТА ПРОИЗВОДСТВА



<b>GB</b>	<b>EU Declaration of conformity</b>		We declare under our sole responsibility that the stated products comply with all applicable provisions of the directives and regulations listed below and are in conformity with the following standards.
	<b>Jig saw</b>	Article number	Technical file at:
<b>F</b>	<b>Déclaration de conformité UE</b>		Nous déclarons sous notre propre responsabilité que les produits décrits sont en conformité avec les directives, règlements normatifs et normes énumérés ci-dessous. Dossier technique auprès de:
	<b>Scie sauteuse</b>	Numéro d'article	
<b>D</b>	<b>EU-Konformitätserklärung</b>		Wir erklären in alleiniger Verantwortung, dass die genannten Produkte allen einschlägigen Bestimmungen der nachfolgend aufgeführten Richtlinien und Verordnungen entsprechen und mit folgenden Normen übereinstimmen. Technische Unterlagen bei:
	<b>Stichsäge</b>	Sachnummer	
<b>NL</b>	<b>EU-conformiteitsverklaring</b>		Wij verklaren op eigen verantwoordelijkheid dat de genoemde producten voldoen aan alle desbetreffende bepalingen van de hierna genoemde richtlijnen en verordeningen en overeenstemmen met de volgende normen. Technisch dossier bij:
	<b>Decoupeerzaag</b>	Productnummer	
<b>S</b>	<b>EU-konformitetsförklaring</b>		Vi förklarar under eget ansvar att de nämnda produkterna uppfyller kraven i alla gällande bestämmelser i de nedan angivna direktiven och förordningarna och att de stämmer överens med följande normer. Teknisk dokumentation:
	<b>Figursåg</b>	Produktnummer	
<b>DK</b>	<b>EU-overensstemmelseserklæring</b>		Vi erklærer som eneansvarlige, at det beskrevne produkt er i overensstemmelse med alle gældende bestemmelser i følgende direktiver og forordninger og opfylder følgende standarder. Tekniske bilag ved:
	<b>Stiksav</b>	Typenummer	
<b>N</b>	<b>EU-samsvarserklæring</b>		Vi erklærer under eneansvar at de nevnte produktene er i overensstemmelse med alle relevante bestemmelser i direktivene og forordningene nedenfor og med følgende standarder. Teknisk dokumentasjon hos:
	<b>Stikksag</b>	Produktnummer	
<b>FIN</b>	<b>EU-vaatimustenmukaisuusvakuutus</b>		Vakuutamme täten, että mainitut tuotteet vastaavat kaikkia seuraavien direktiivien ja asetusten asiaankuuluvia vaatimuksia ja ovat seuraavien standardien vaatimusten mukaisia. Tekniset asiakirjat saatavana:
	<b>Pistosaha</b>	Tuotenumero	
<b>E</b>	<b>Declaración de conformidad UE</b>		Declaramos bajo nuestra exclusiva responsabilidad, que los productos nombrados cumplen con todas las disposiciones correspondientes de las directivas y los reglamentos mencionados a continuación y están en conformidad con las siguientes normas. Documentos técnicos de:
	<b>Sierra caladora</b>	Número de artículo	
<b>P</b>	<b>Declaração de conformidade CE</b>		Declaramos sob nossa exclusiva responsabilidade que os produtos mencionados cumprem todas as disposições e os regulamentos indicados e estão em conformidade com as seguintes normas. Documentação técnica pertencente a:
	<b>Serra vertical</b>	Número do produto	
<b>I</b>	<b>Dichiarazione di conformità UE</b>		Dichiariamo sotto la nostra piena responsabilità che i prodotti indicati sono conformi a tutte le disposizioni pertinenti delle direttive e dei regolamenti elencati di seguito, nonché alle seguenti normative. Documentazione tecnica presso:
	<b>Sega da traforo</b>	Codice prodotto	
<b>H</b>	<b>EU konformitási nyilatkozat</b>		Egyedüli felelőséggel kijelentjük, hogy a megnevezett termékek megfelelnek az alábbiakkban felsorolásra kerülő irányelvek és rendeletek valamennyi idevágó előírásainak és megfelelnek a következő szabványoknak. Műszaki dokumentumok megőrzési pontja:
	<b>Szűrőfűrész</b>	Cikkszám	
<b>CZ</b>	<b>EU prohlášení o shodě</b>		Prohlašujeme na výhradní zodpovědnost, že uvedený výrobek splňuje všechna příslušná ustanovení níže uvedených směrnic a nařízení a je v souladu s následujícími normami. Technické podklady u:
	<b>Kmitací pila</b>	Objednací číslo	
<b>TR</b>	<b>AB Uygunluk beyanı</b>		Tek sorumlu olarak, tanınlan ürünün aşağıdaki yönetmelik ve direktiflerin geçerli bütün hükümlerine ve aşağıdaki standartlara uygun olduğunu beyan ederiz. Teknik belgelerin bulunduğu yer:
	<b>Dekupaj testere</b>	Ürün kodu	
<b>PL</b>	<b>Deklaracja zgodności UE</b>		Oświadczamy z pełną odpowiedzialnością, że niniejsze produkty odpowiadają wszystkim wymaganiom poniżej wyszczególnionych dyrektyw i rozporządzeń, oraz że są zgodne z następującymi normami. Dokumentacja techniczna:
	<b>Wyrzynarka</b>	Numer katalogowy	
<b>RU</b>	<b>Заявление о соответствии ЕС</b>		Мы заявляем под нашу единоличную ответственность, что названные продукты соответствуют всем действующим предписаниям нижеуказанных директив и распоряжений, а также нижеуказанным норм. Техническая документация хранится у:
	<b>Лобзик</b>	Товарный номер	
<b>UA</b>	<b>Заява про відповідність ЄС</b>		Мизявляємо під нашу одноособову відповідальність, що названі вироби відповідають усім чинним положенням відповіднозначених директив і розпоряджень, а також нижчеозначеним нормам. Технічна документація зберігається у:
	<b>Електричний лобзик</b>	Товарний номер	



<b>GR</b>	<b>Δήλωση πιστότητας ΕΕ</b>		Δηλώνουμε με αποκλειστική μας ευθύνη, ότι τα αναφερόμενα προϊόντα αντιστοιχούν σε όλες τις σχετικές διατάξεις των πιο κάτω αναφερόμενων οδηγιών και κανονισμών και ταυτίζονται με τα ακόλουθα πρότυπα.
	<b>Σέγα</b>	Αριθμός ευρετηρίου	Τεχνικά έγγραφα στη:
<b>RO</b>	<b>Declarație de conformitate UE</b>		Declarăm pe proprie răspundere că produsele menționate corespund tuturor dispozițiilor relevante ale directivei și reglementărilor enumerate în cele ce urmează și sunt în conformitate cu următoarele standarde.
	<b>Ferăstrău vertical</b>	Număr de identificare	Documentație tehnică la:
<b>BG</b>	<b>ЕС декларация за съответствие</b>		С пълна отговорност ние декларираме, че посочените продукти отговарят на всички валидни изисквания на директивите и разпоредбите по-долу и съответства на следните стандарти.
	<b>Прободен трион</b>	Каталожен номер	Техническа документация при:
<b>SK</b>	<b>EU vyhlásenie o zhode</b>		Vyhlasujeme na výhradnú zodpovednosť, že uvedený výrobok spĺňa všetky príslušné ustanovenia nižšie uvedených smerníc a nariadení a je v súlade s nasledujúcimi normami.
	<b>Priamočiara píla</b>	Vecné číslo	Technické podklady má spoločnosť:
<b>HR</b>	<b>EU izjava o skladnosti</b>		Pod punom odgovornošću izjavljujemo da navedeni proizvodi odgovaraju svim relevantnim odredbama direktiva i propisima navedenima u nastavku i da su skladni sa sljedećim normama.
	<b>Ubodna pila</b>	Kataloški broj	Tehnička dokumentacija se može dobiti kod:
<b>SRB</b>	<b>EU-izjava o usaglašenosti</b>		Na sopstvenu odgovornost izjavljujemo, da navedeni proizvodi odgovaraju svim dotičnim odredbama naknadno navedenih smernica u uredaba i da su u skladu sa sledećim standardima.
	<b>Ubodna testera</b>	Broj predmeta	Tehnička dokumentacija kod:
<b>SLO</b>	<b>Izjava o skladnosti ES</b>		Izjavljamo pod izključno odgovornostjo, da je omenjen izdelek v skladu z vsemi relevantnimi določili direktiv in uredb ter ustreza naslednjim standardom.
	<b>Vbodna žaga</b>	Številka artikla	Tehnična dokumentacija pri:
<b>EST</b>	<b>EL-vastavusdeklaratsioon</b>		Kinnitame ainuvastutajatena, et nimetatud tooted vastavad järgnevalt loetletud direktiivide ja määruste kõiki dele asjaomastele nõuetele ja on kooskõlas järgmistele normidega.
	<b>Tikkaaag</b>	Tootenumber	Tehnilised dokumendid saadaval:
<b>LV</b>	<b>Deklarācija par atbilstību EK standartiem</b>		Mēs ar pilnu atbildību paziņojam, ka šeit aplūkoti izstrādājumi atbilst visiem tālāk minētajās direktīvās un rīkojumos ietvertajām saistošajām nostādņēm, kā arī sekojošiem standartiem.
	<b>Figūrzāģis</b>	Izstrādājuma numurs	Tehniškā dokumentācija saugoma no:
<b>LT</b>	<b>ES atitikties deklaracija</b>		Atsakingai pareiškiame, kad išvardyti gaminiai atitinka visus privalomus žemiau nurodytų direktyvų ir reglamentų reikalavimus ir šiuos standartus.
	<b>Siaurapjūklas</b>	Gaminio numeris	Techninė dokumentacija saugoma:
<b>MK</b>	<b>EU-Изјава за сообразност</b>		Со целосна одговорност изјавуваме, дека опишаните производи се во согласност со сите релевантни одредби на следните регулативи и прописи и се во согласност со следните норми.
	<b>Убодна пила</b>	Број на артикл	Техничка документација кај:
<b>AL</b>	<b>EU Deklarata e konformitetit</b>		Ne deklarojmë me përgjegjësinë tonë të vetme se produktet e paraqitura janë në përputhje me të gjitha dispozitatet e zbatueshme të direktivave dhe rregulloreve të listuara më poshtë dhe janë në përputhje me standardet si më poshtë.
	<b>Sharrë sege</b>	Numri i nenit	Dosja teknike në:
<b>4370</b>	<b>F0154370..</b>		2006/42/EC 2004/108/EC (until 19.04.2016) 2014/30/EU (from 20.04.2016) 2011/65/EU 2009/125/EC (Regulation 1194/2012)
			EN 60745-1:2009 + A11:2010 EN 60745-2-11:2010 EN 55014-1:2006 + A1:2009 + A2:2011 EN 55014-2:1997 + A1:2001 + A2:2008 EN 61000-3-2:2014 EN 61000-3-3:2013
			 Skil Europe BV (PT-SEU/ENG1) Konijnenberg 60 4825 BD Breda The Netherlands
			Marijn van der Hoofden Operations & Engineering
			Olaf Dijkgraaf Approval Manager
			 
			Skil Europe BV, Konijnenberg 60, 4825 BD Breda, NL 27.08.2015