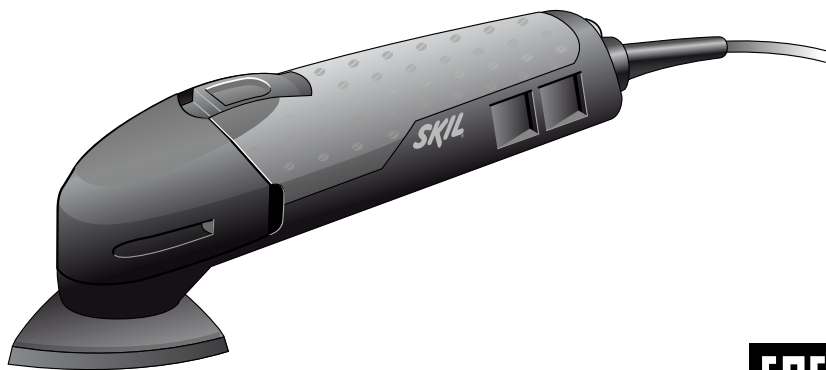


SKIL®

MULTI-FUNCTION TOOL 1470 (F0151470..)



GB	ORIGINAL INSTRUCTIONS	7	UA	ОРИГІНАЛЬНА ІНСТРУКЦІЯ З ЕКСПЛУАТАЦІЇ	60
F	NOTICE ORIGINALE	10	GR	ΠΡΟΤΟΤΥΠΟ ΟΔΗΓΙΩΝ ΧΡΗΣΗΣ	64
D	ORIGINALBETRIEBSANLEITUNG	13	RO	INSTRUCȚIUNI DE FOLOSIRE ORIGINALE	68
NL	ORIGINELE GEBRUIKSAANWIJZING	17	BG	ОРИГИНАЛНО РЪКОВОДСТВО ЗА ЕКСПЛОАТАЦИЯ	71
S	BRUKSANVISNING I ORIGINAL	20	SK	PŮVODNÝ NÁVOD NA POUŽITIE	75
DK	ORIGINAL BRUGSANVISNING	23	HR	ORIGINALNE UPUTE ZA RAD	79
N	ORIGINAL BRUKSANVISNING	26	SRB	ORIGINALNO UPUTSTVO ZA RAD	82
FIN	ALKUPERÄISET OHJEET	29	SLO	IZVIRNA NAVODILA	85
E	MANUAL ORIGINAL	32	EST	ALGUPÄRANE KASUTUSJUHEND	88
P	MANUAL ORIGINAL	36	LV	ORIĢINĀLĀ LIETOŠANAS PAMĀCIBA	91
I	ISTRUZIONI ORIGINALI	39	LT	ORIGINALI INSTRUKCIJA	94
H	EREDETI HASZNÁLATI UTASÍTÁS	43	MK	ИЗБОРНО УПАТСТВО ЗА РАБОТА	98
CZ	PŮVODNÍM NÁVODEM K POUŽÍVÁNÍ	46	AL	UDHËZIMET ORIGINALE	101
TR	ORİJİNAL İŞLETME TALİMATI	49	AR	دليل الاستعمال	110
PL	INSTRUKCJA ORYGINALNA	52	FA	راهنمای اصلی	108
RU	ПОДЛИННИК РУКОВОДСТВА ПО ЭКСПЛУАТАЦИИ	56			




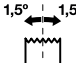
1

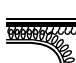
1470

200
Watt


1,1 kg
EPTA 01/2003


n₀
15000-22000
/min


1,5° | 1,5°

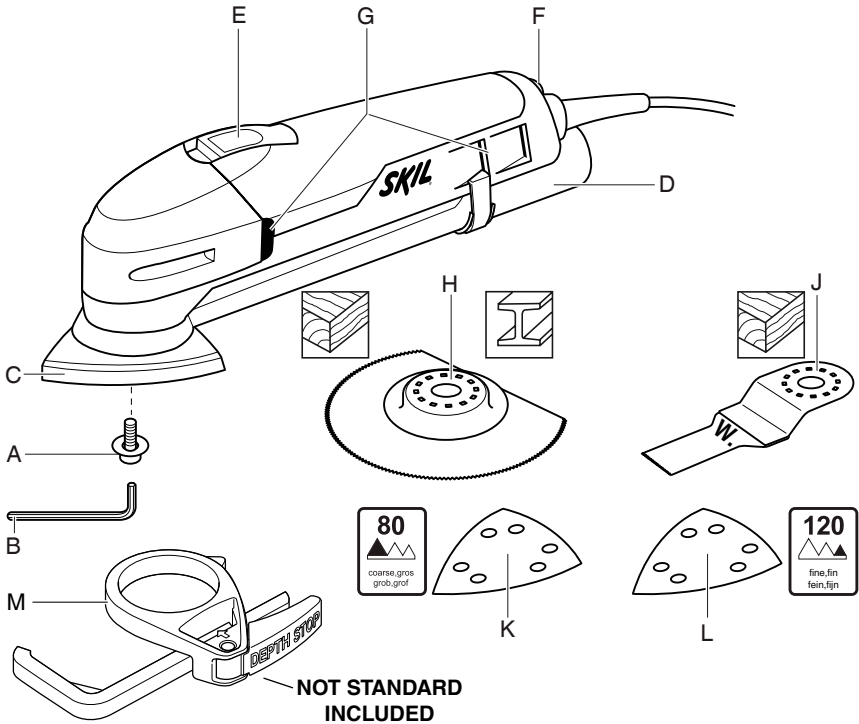

10000


OIS


93 mm

230
240
V~
50-60 Hz

2



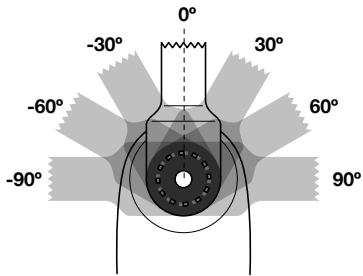
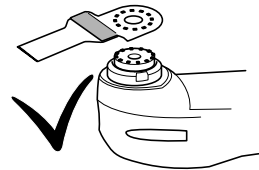
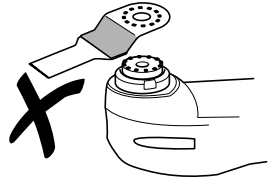
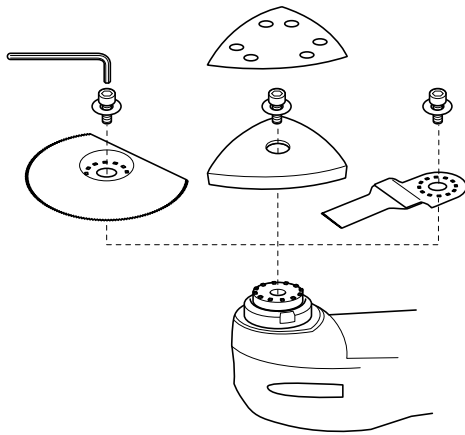
3



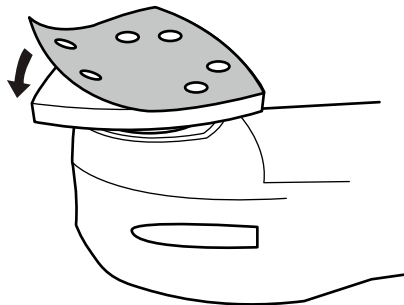
4



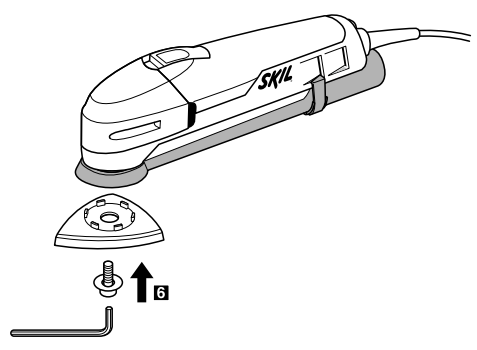
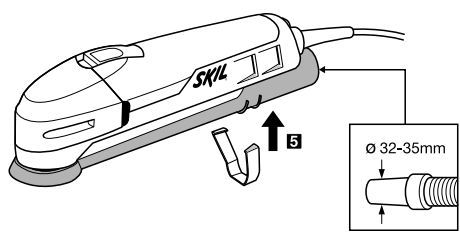
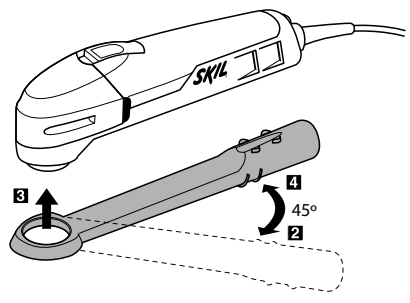
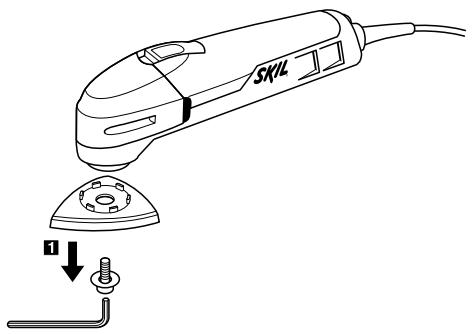
5



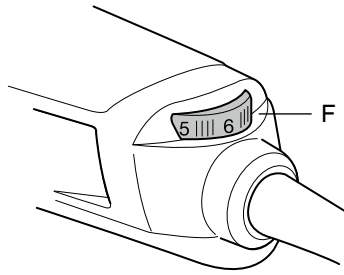
6



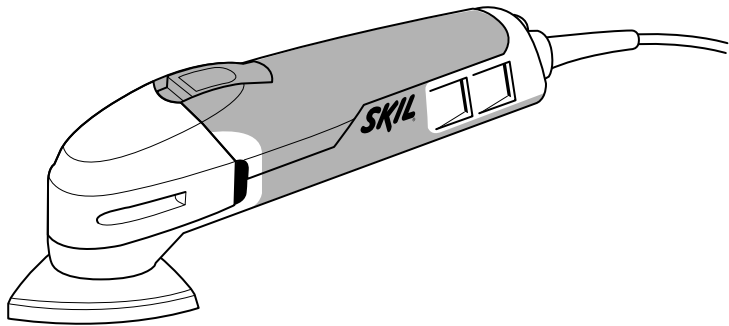
7



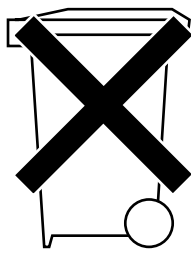
8



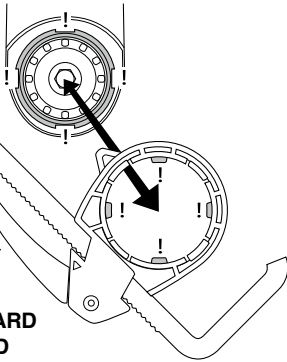
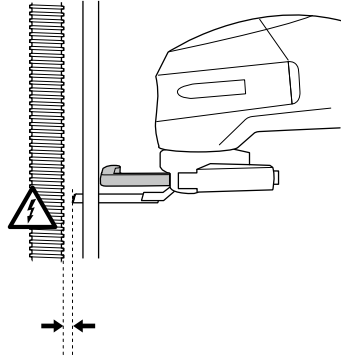
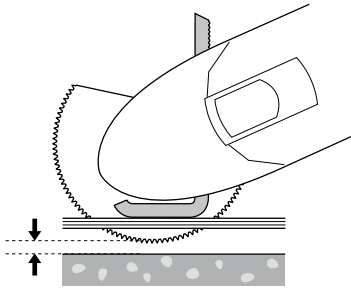
9



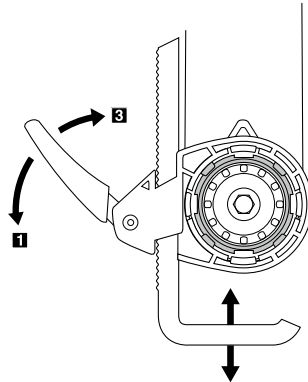
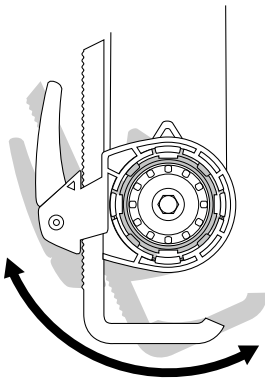
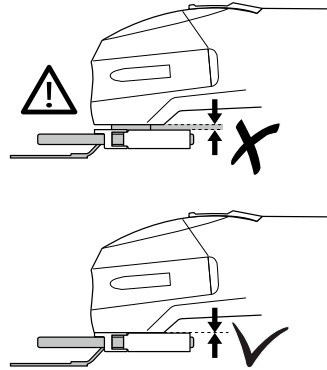
11



10



NOT STANDARD INCLUDED



Multifunction tool

1470

INTRODUCTION

- This tool is intended for sawing and cutting in wood, plastic, plaster, metals and soft wall tiles as well as for dry sanding of small surfaces
- Due to the oscillating drive the accessory swings up to 22000 times per minute for 3°, which makes the tool particularly suitable for precise work on edged, narrow and other hard-to-reach places
- This tool is not intended for professional use
- This tool accepts most commonly available multi-tool accessories, including existing BOSCH OIS accessories ③
- Read and save this instruction manual ④

TECHNICAL DATA ①

TOOL ELEMENTS ②

- A Clamping screw with washer
- B Hex key
- C Sanding pad
- D Dust extraction device
- E On/off switch
- F Speed selection wheel
- G Ventilation slots
- H Segment saw blade
- J Plunge-cut saw blade (wood, 20 mm)
- K Sanding sheet (coarse)
- L Sanding sheet (fine)
- M Depth adjustment accessory *

* NOT STANDARD INCLUDED

SAFETY

GENERAL SAFETY INSTRUCTIONS

⚠ WARNING! Read all safety warnings and all instructions. Failure to follow the warnings and instructions may result in electric shock, fire and/or serious injury. **Save all warnings and instructions for future reference.** The term "power tool" in the warnings refers to your mains-operated (corded) power tool or battery-operated (cordless) power tool.

1) WORK AREA SAFETY

- a) **Keep work area clean and well lit.** Cluttered or dark areas invite accidents.
- b) **Do not operate power tools in explosive atmospheres, such as in the presence of flammable liquids, gases or dust.** Power tools create sparks which may ignite the dust or fumes.
- c) **Keep children and bystanders away while operating a power tool.** Distractions can cause you to lose control.

2) ELECTRICAL SAFETY

- a) **Power tool plugs must match the outlet. Never modify the plug in any way. Do not use any adapter**

plugs with earthed (grounded) power tools.

Unmodified plugs and matching outlets will reduce risk of electric shock.

- b) **Avoid body contact with earthed or grounded surfaces such as pipes, radiators, ranges and refrigerators.** There is an increased risk of electric shock if your body is earthed or grounded.
- c) **Do not expose power tools to rain or wet conditions.** Water entering a power tool will increase the risk of electric shock.
- d) **Do not abuse the cord. Never use the cord for carrying, pulling or unplugging the power tool. Keep cord away from heat, oil, sharp edges or moving parts.** Damaged or entangled cords increase the risk of electric shock.
- e) **When operating a power tool outdoors, use an extension cord suitable for outdoor use.** Use of a cord suitable for outdoor use reduces the risk of electric shock.
- f) **If operating a power tool in a damp location is unavoidable, use an earth leakage circuit breaker.** Use of an earth leakage circuit breaker reduces the risk of electric shock.

3) PERSONAL SAFETY

- a) **Stay alert, watch what you are doing and use common sense when operating a power tool. Do not use a power tool while you are tired or under the influence of drugs, alcohol or medication.** A moment of inattention while operating power tools may result in serious personal injury.
- b) **Use personal protective equipment. Always wear eye protection.** Protective equipment such as dust mask, non-skid safety shoes, hard hat, or hearing protection used for appropriate conditions will reduce personal injuries.
- c) **Prevent unintentional starting. Ensure the switch is in the off-position before connecting to power source and/or battery pack, picking up or carrying the tool.** Carrying power tools with your finger on the switch or energising power tools that have the switch on invites accidents.
- d) **Remove any adjusting key or wrench before turning the power tool on.** A wrench or a key left attached to a rotating part of the power tool may result in personal injury.
- e) **Do not overreach. Keep proper footing and balance at all times.** This enables better control of the power tool in unexpected situations.
- f) **Dress properly. Do not wear loose clothing or jewelry. Keep your hair, clothing and gloves away from moving parts.** Loose clothes, jewelry or long hair can be caught in moving parts.
- g) **If devices are provided for the connection of dust extraction and collection facilities, ensure these are connected and properly used.** Use of dust collection can reduce dust-related hazards.

4) POWER TOOL USE AND CARE

- a) **Do not force the power tool. Use the correct power tool for your application.** The correct power tool will do the job better and safer at the rate for which it was designed.

- b) **Do not use the power tool if the switch does not turn it on and off.** Any power tool that cannot be controlled with the switch is dangerous and must be repaired.
- c) **Disconnect the plug from the power source and/or the battery pack from the power tool before making any adjustments, changing accessories, or storing power tools.** Such preventive safety measures reduce the risk of starting the power tool accidentally.
- d) **Store idle power tools out of the reach of children and do not allow persons unfamiliar with the power tool or these instructions to operate the power tool.** Power tools are dangerous in the hands of untrained users.
- e) **Maintain power tools. Check for misalignment or binding of moving parts, breakage of parts and any other condition that may affect the power tool's operation. If damaged, have the power tool repaired before use.** Many accidents are caused by poorly maintained power tools.
- f) **Keep cutting tools sharp and clean.** Properly maintained cutting tools with sharp cutting edges are less likely to bind and are easier to control.
- g) **Use the power tool, accessories and tool bits etc., in accordance with these instructions, taking into account the working conditions and the work to be performed.** Use of the power tool for operations different from those intended could result in a hazardous situation.

5) SERVICE

- a) **Have your power tool serviced by a qualified repair person using only identical replacement parts.** This will ensure that the safety of the power tool is maintained.

SAFETY INSTRUCTIONS FOR MULTI-FUNCTION TOOLS

GENERAL

- This tool should not be used by people under the age of 16 years
- Use completely unrolled and safe extension cords with a capacity of 16 Amps (U.K. 13 Amps)
- Always check that the supply voltage is the same as the voltage indicated on the nameplate of the tool (tools with a rating of 230V or 240V can also be connected to a 220V supply)
- Avoid damage that can be caused by screws, nails and other elements in your workpiece; remove them before you start working
- **Secure the workpiece** (a workpiece clamped with clamping devices or in a vice is held more securely than by hand)
- **Do not work materials containing asbestos** (asbestos is considered carcinogenic)
- **Always disconnect plug from power source before making any adjustment or changing any accessory**
- When working, always hold the tool firmly with both hands and take a secure stance
- Always keep the cord away from moving parts of the tool; direct the cord to the rear, away from the tool
- **Use protective gloves when changing accessories** (contact with the accessory can lead to injuries)
- In case of electrical or mechanical malfunction, immediately switch off the tool and disconnect the plug

- If the cord is damaged or cut through while working, do not touch the cord, but immediately disconnect the plug
- Never use the tool when cord is damaged; have it replaced by a qualified person
- When you put away the tool, switch off the motor and ensure that all moving parts have come to a complete standstill

WHEN SAWING/CUTTING

- **Hold power tool by insulated gripping surfaces, when performing an operation where the cutting accessory may contact hidden wiring or its own cord** (a cutting accessory contacting a "live" wire may make exposed metal parts of the power tool "live" and could give the operator an electric shock)
- **Keep hands away from cutting area;** never reach underneath the material for any reason while cutting
- **Use suitable detectors to find hidden utility lines or call the local utility company for assistance** (contact with electric lines can lead to fire or electrical shock; damaging a gas line can result in an explosion; penetrating a water pipe will cause property damage or an electrical shock)
- Do not use a saw blade which is cracked, deformed or dull

WHEN SANDING

- Dust from material such as paint containing lead, some wood species, minerals and metal may be harmful (contact with or inhalation of the dust may cause allergic reactions and/or respiratory diseases to the operator or bystanders); **wear a dust mask and work with a dust extraction device when connectable**
- Certain kinds of dust are classified as carcinogenic (such as oak and beech dust) especially in conjunction with additives for wood conditioning; **wear a dust mask and work with a dust extraction device when connectable**
- Follow the dust-related national requirements for the materials you want to work with
- **Use the tool only for dry sanding** (penetration of water into the tool increases the risk of an electric shock)
- Do not touch the moving sanding sheet
- Do not continue to use worn, torn or heavily clogged sanding sheets
- When sanding metal, sparks are generated; do not use vacuum cleaner and keep other persons and combustible material from work area

WHEN CONNECTING NEW 3-PIN PLUG (U.K. ONLY):

- Do not connect the blue (= neutral) or brown (= live) wire in the cord of this tool to the earth terminal of the plug
- If for any reason the old plug is cut off the cord of this tool, it must be disposed of safely and not left unattended

USE

- Changing accessories ⑤
 - ! **disconnect the plug**
 - remove/mount the required accessory as illustrated
 - ensure that the openings of the accessory engage into the tabs of the tool head (any snap-in position possible)
 - mount the accessory with the depressed centre pointing downwards
 - loosen/fasten screw A with hex key B

- **check the tight seating of the accessory** (incorrect or not securely fastened accessories can come loose during operation and create a hazard)
- Mounting of sanding sheet ⑥
 - knock the dust out of the VELCRO material on sanding pad C ② before mounting the sanding sheet
 - mount VELCRO sanding sheet as illustrated
 - ! **the dust suction requires the use of perforated sanding sheets**
 - ! **perforation in sanding sheet should correspond with perforation in sanding foot**
 - ! **replace worn sanding sheets in time**
 - ! **always use the tool with the total VELCRO surface covered with sanding paper**
- Dust/chip extraction ⑦
 - mount dust extraction device D as illustrated
 - connect vacuum cleaner
 - ! **do not use dust extraction device/vacuum cleaner when sanding metal**
 - clean dust extraction device D regularly for optimal dust pick-up performance
- On/off
 - switch on/off the tool by pushing switch E ② in "I"/"O" position
 - ! **before the accessory reaches the workpiece, the tool should run at full speed**
 - ! **before switching off the tool, you should lift it from the workpiece**
- Adjusting working speed ⑧
 - with wheel F the required oscillating frequency can be adjusted from low (1) to high (6) (also while tool is running)
 - the optimal working speed depends on the material and can be determined with practical trials
- Holding and guiding the tool
 - ! **while working, always hold the tool at the grey-coloured grip area(s) ⑨**
 - keep ventilation slots G ② uncovered
 - do not apply too much pressure on the tool (excessive pressure will cause excessive heat and may shorten the service life of the accessory)
- Depth adjustment accessory (DEPTH STOP) (not standard included) ⑩

APPLICATION ADVICE

- Use segment saw blade H ② for separating and plunge cuts in wood, plaster, gypsum and plastics (also for sawing close to edges, in corners and other hard-to-reach areas)
- Use plunge-cut saw blade J ② for separating and deep plunge-cuts in wood, plaster, gypsum and soft plastics (also for sawing close to edges, in corners and other hard-to-reach areas)
- For more tips see www.skil.com

MAINTENANCE / SERVICE

- This tool is not intended for professional use
- Always keep tool and cord clean (especially ventilation slots G ②)
 - ! **disconnect the plug before cleaning**

- If the tool should fail despite the care taken in manufacturing and testing procedures, repair should be carried out by an after-sales service centre for SKIL power tools
 - send the tool **undismantled** together with proof of purchase to your dealer or the nearest SKIL service station (addresses as well as the service diagram of the tool are listed on www.skil.com)

ENVIRONMENT

- **Do not dispose of electric tools, accessories and packaging together with household waste material** (only for EU countries)
 - in observance of European Directive 2012/19/EC on waste of electric and electronic equipment and its implementation in accordance with national law, electric tools that have reached the end of their life must be collected separately and returned to an environmentally compatible recycling facility
 - symbol ⑪ will remind you of this when the need for disposing occurs

DECLARATION OF CONFORMITY CE

Multifunction tool 1470

Technical data ①

- We declare under our sole responsibility that the product described under "Technical data" is in conformity with the following standards or standardization documents: EN 60745, EN 61000, EN 55014, in accordance with the provisions of the directives 2014/30/EU, 2006/42/EC, 2011/65/EU
- **Technical file at:** SKIL Europe BV (PT-SEU/ENG1), 4825 BD Breda, NL

Marijn van der Hoofden
Operations & Engineering

Olaf Dijkgraaf
Approval Manager

SKIL Europe BV, 4825 BD Breda, NL

29.07.2014

NOISE/VIBRATION

- Measured in accordance with EN 60745 the sound pressure level of this tool is 92 dB(A) and the sound power level 103 dB(A) (standard deviation: 3 dB), and the vibration * (triax vector sum; uncertainty K = 1.5 m/s²)
 - * when sanding 8.8 m/s²
 - * when cutting with plunge-cut saw blade 13.9 m/s²
 - * when cutting with segment saw blade 7.2 m/s²
- The vibration emission level has been measured in accordance with a standardised test given in EN 60745; it may be used to compare one tool with another and as a preliminary assessment of exposure to vibration when using the tool for the applications mentioned
 - using the tool for different applications, or with different or poorly maintained accessories, may significantly **increase** the exposure level

- the times when the tool is switched off or when it is running but not actually doing the job, may significantly **reduce** the exposure level

! protect yourself against the effects of vibration by maintaining the tool and its accessories, keeping your hands warm, and organizing your work patterns

F

Outil multifonctions

1470

INTRODUCTION

- Cet outil est conçu pour le sciage et la découpe du bois, du plastique, des métaux et des carreaux muraux mous ainsi que pour le polissage de petites surfaces
- En raison de la commande oscillante, l'accessoire pivote jusqu'à 22000 fois par minute pour 3°, ce qui rend l'outil parfaitement approprié à un travail précis pour des bords et des endroits étroits et d'accès difficile
- Cet outil n'est conçu pour un usage professionnel
- Cet outil accepte tous les accessoires d'outils multifonctions les plus courants, y compris les accessoires BOSCH OIS existants ③
- Lisez et conservez ce manuel d'instruction ④

CARACTERISTIQUES TECHNIQUES ①

ELEMENTS DE L'OUTIL ②

- A Vis de serrage avec rondelle
- B Clé hexagonale
- C Patin de ponçage
- D Appareil de dépoussiérage
- E Interrupteur marche/arrêt
- F Molette pour régler la vitesse
- G Fentes de ventilation
- H Lame de scie à segments
- J Lame de scie à coupe en plongée (bois, 20 mm)
- K Feuille de ponçage (gros grain)
- L Feuille de ponçage (à grain fin)
- M Accessoire de réglage de profondeur *

* NON FOURNI EN STANDARD

SECURITE

INSTRUCTIONS GENERALES DE SECURITE

⚠ ATTENTION! Lisez tous les avertissements de sécurité et toutes les instructions. Ne pas suivre les avertissements et instructions peut entraîner un choc électrique, un incendie et/ou de graves blessures sur les personnes. **Conservez tous les avertissements et toutes les instructions pour pouvoir s'y reporter ultérieurement.** La notion d'"outil électroportatif" dans les avertissements se rapporte à des outils électriques raccordés au secteur (avec câble de raccordement) et à des outils électriques à batterie (sans câble de raccordement).

1) SECURITE DE LA ZONE DE TRAVAIL

- a) **Maintenez l'endroit de travail propre et bien éclairé.** Un lieu de travail en désordre ou mal éclairé augmente le risque d'accidents.
- b) **N'utilisez pas l'appareil dans un environnement présentant des risques d'explosion et où se trouvent des liquides, des gaz ou poussières inflammables.** Les outils électroportatifs génèrent des étincelles risquant d'enflammer les poussières ou les vapeurs.
- c) **Tenez les enfants et autres personnes éloignés durant l'utilisation de l'outil électroportatif.** En cas d'inattention vous risquez de perdre le contrôle sur l'appareil.

2) SECURITE RELATIVE AU SYSTEME ELECTRIQUE

- a) **La fiche de secteur de l'outil électroportatif doit être appropriée à la prise de courant. Ne modifiez en aucun cas la fiche. N'utilisez pas de fiches d'adaptateur avec des appareils avec mise à la terre.** Les fiches non modifiées et les prises de courant appropriées réduisent le risque de choc électrique.
- b) **Evitez le contact physique avec des surfaces mises à la terre telles que tuyaux, radiateurs, fours et réfrigérateurs.** Il y a un risque élevé de choc électrique au cas où votre corps serait relié à la terre.
- c) **N'exposez pas l'outil électroportatif à la pluie ou à l'humidité.** La pénétration d'eau dans un outil électroportatif augmente le risque d'un choc électrique.
- d) **N'utilisez pas le câble à d'autres fins que celles prévues, n'utilisez pas le câble pour porter l'appareil ou pour l'accrocher ou encore pour le débrancher de la prise de courant. Maintenez le câble éloigné des sources de chaleur, des parties grasses, des bords tranchants ou des parties de l'appareil en rotation.** Un câble endommagé ou torsadé augmente le risque d'un choc électrique.
- e) **Au cas où vous utiliseriez l'outil électroportatif à l'extérieur, utilisez une rallonge autorisée homologuée pour les applications extérieures.** L'utilisation d'une rallonge électrique homologuée pour les applications extérieures réduit le risque d'un choc électrique.
- f) **Si l'usage d'un outil dans un emplacement humide est inévitable, utilisez un disjoncteur de fuite à la terre.** L'utilisation d'un disjoncteur de fuite à la terre réduit le risque de choc électrique.

3) SECURITE DES PERSONNES

- a) **Restez vigilant, surveillez ce que vous faites. Faites preuve de bon sens en utilisant l'outil électroportatif. N'utilisez pas l'appareil lorsque vous êtes fatigué ou après avoir consommé de l'alcool, des drogues ou avoir pris des médicaments.** Un moment d'inattention lors de l'utilisation de l'appareil peut entraîner de graves blessures sur les personnes.
- b) **Portez des équipements de protection. Portez toujours des lunettes de protection.** Le fait de porter des équipements de protection personnels tels que masque anti-poussières, chaussures de sécurité antidérapantes, casque de protection ou protection acoustique suivant le travail à effectuer, réduit le risque de blessures.

- c) **Évitez tout démarrage intempestif. S'assurez que l'interrupteur est en position arrêt avant de brancher l'outil au secteur et/ou au bloc de batteries, de le ramasser ou de le porter.** Porter les outils en ayant le doigt sur l'interrupteur ou brancher des outils dont l'interrupteur est en position marche est source d'accidents.
- d) **Enlevez tout outil de réglage ou toute clé avant de mettre l'appareil en fonctionnement.** Une clé ou un outil se trouvant sur une partie en rotation peut causer des blessures.
- e) **Ne surestimez pas vos capacités. Veillez à garder toujours une position stable et équilibrée.** Ceci vous permet de mieux contrôler l'appareil dans des situations inattendues.
- f) **Portez des vêtements appropriés. Ne portez pas de vêtements amples ni de bijoux. Maintenez cheveux, vêtements et gants éloignés des parties de l'appareil en rotation.** Des vêtements amples, des bijoux ou des cheveux longs peuvent être happés par des pièces en mouvement.
- g) **Si des dispositifs servant à aspirer ou à recueillir les poussières doivent être utilisés, vérifiez que ceux-ci soient effectivement raccordés et qu'ils sont correctement utilisés.** L'utilisation des collecteurs de poussière réduit les dangers dus aux poussières.
- 4) UTILISATION ET EMPLOI SOIGNEUX DE L'OUTIL ELECTROPORTATIF**
- a) **Ne surchargez pas l'appareil. Utilisez l'outil électroportatif approprié au travail à effectuer.** Avec l'outil électroportatif approprié, vous travaillerez mieux et avec plus de sécurité à la vitesse pour laquelle il est prévu.
- b) **N'utilisez pas un outil électroportatif dont l'interrupteur est défectueux.** Un outil électroportatif qui ne peut plus être mis en ou hors fonctionnement est dangereux et doit être réparé.
- c) **Débranchez la fiche de la source d'alimentation en courant et/ou le bloc de batteries de l'outil avant tout réglage, changement d'accessoires ou avant de ranger l'outil.** Cette mesure de précaution empêche une mise en fonctionnement par mégarde.
- d) **Gardez les outils électroportatifs non utilisés hors de portée des enfants. Ne permettez pas l'utilisation de l'appareil à des personnes qui ne se sont pas familiarisées avec celui-ci ou qui n'ont pas lu ces instructions.** Les outils électroportatifs sont dangereux lorsqu'ils sont utilisés par des personnes non initiées.
- e) **Prenez soin des outils électroportatifs. Vérifiez que les parties en mouvement fonctionnent correctement et qu'elles ne soient pas coincées, et contrôlez si des parties sont cassées ou endommagées de telle sorte que le bon fonctionnement de l'appareil s'en trouve entravé. Faites réparer les parties endommagées avant d'utiliser l'appareil.** De nombreux accidents sont dus à des outils électroportatifs mal entretenus.
- f) **Maintenez les outils de coupe aiguisés et propres.** Des outils soigneusement entretenus avec des bords tranchants bien aiguisés se coincent moins souvent et peuvent être guidés plus facilement.
- g) **Utilisez les outils électroportatifs, les accessoires, les outils à monter etc. conformément à ces**

instructions. Tenez compte également des conditions de travail et du travail à effectuer.

L'utilisation des outils électroportatifs à d'autres fins que celles prévues peut entraîner des situations dangereuses.

5) SERVICE

- a) **Ne faites réparer votre outil électroportatif que par un personnel qualifié et seulement avec des pièces de rechange d'origine.** Ceci permet d'assurer la sécurité de l'appareil.

INSTRUCTIONS DE SECURITE POUR OUTILS MULTIFONCTIONS

GENERALITES

- Cet outil ne doit pas être utilisé par des personnes de moins de 16 ans
- Utilisez un câble de prolongement complètement déroulé et de bonne qualité d'une capacité de 16 A
- Contrôlez toujours si la tension secteur correspond à la tension indiquée sur la plaquette signalétique de l'outil (les outils conçus pour une tension de 230V ou 240V peuvent également être branchés sur 220V)
- Faites attention aux vis, clous ou autres éléments qui pourraient se trouver dans la pièce à travailler et qui risqueraient d'endommager très fortement votre outil; enlevez-les avant de commencer le travail
- **Fixez solidement la pièce à travailler** (une pièce fixée à l'aide de dispositifs de fixation est davantage assurée que si elle était tenue à la main)
- **Ne travaillez pas de matériaux contenant de l'amiante** (l'amiante est considérée comme étant cancérigène)
- **Débranchez toujours l'outil avant tout réglage ou changement d'accessoire**
- En travaillant, toujours tenez fermement l'outil à l'aide des deux mains et adoptez une position de travail stable et sûre
- Tenez toujours le câble éloigné des parties mobiles de l'outil; orientez le câble vers l'arrière le plus loin possible de l'outil
- **Utilisez des gants de protection lors du changement d'accessoires** (tout contact avec l'accessoire peut provoquer des blessures)
- En cas de dysfonctionnement électrique ou mécanique, mettez directement l'outil hors service et débranchez la fiche
- Si le câble est endommagé ou rompu pendant le travail, n'y touchez pas, mais débranchez immédiatement la prise
- N'utilisez jamais d'outil avec un câble endommagé; faites-le remplacer par un technicien qualifié
- Lorsque vous rangez votre outil, le moteur doit être coupé et les pièces mobiles complètement arrêtées
LORS DU SCIAGE/DE LA COUPE
- **Tenez l'outil par les surfaces de préhension isolées, lors de la réalisation d'une opération au cours de laquelle l'accessoire de coupe peut entrer en contact avec un câblage non apparent ou son propre câble d'alimentation** (le contact avec un fil sous tension peut également mettre sous tension les parties métalliques de l'outil électrique et provoquer un choc électrique sur l'opérateur)

- **Éloignez vos mains de la zone de coupe**; pendant la coupe, ne passez en aucun cas vos mains sous le matériau
- **Utilisez des détecteurs appropriés afin de localiser la présence de conduites électriques ou bien s'adresser à la société locale de distribution** (un contact avec des lignes électriques peut provoquer un incendie et une décharge électrique; le fait d'endommager une conduite de gaz peut entraîner une explosion; le fait d'endommager une conduite d'eau peut entraîner des dégâts matériels ou causer une décharge électrique)
- Ne pas utiliser une lame fendue, déformée ou émoussée

LORS DU PONÇAGE

- La poussière de matériaux, tels que la peinture contenant du plomb, certaines espèces de bois, certains minéraux et différents métaux, peut être nocive (le contact avec la poussière ou son inhalation peut provoquer des réactions allergiques et/ou des maladies respiratoires chez l'opérateur ou des personnes se trouvant à proximité); **portez un masque antipoussières et travaillez avec un appareil de dépoussiérage lorsqu'il est possible d'en connecter un**
- Certains types de poussières sont classifiés comme étant cancérogènes (tels que la poussière de chêne ou de hêtre), en particulier en combinaison avec des additifs de traitement du bois; **portez un masque antipoussières et travaillez avec un appareil de dépoussiérage lorsqu'il est possible d'en connecter un**
- Suivez les directives nationales relatives au dépoussiérage pour les matériaux à travailler
- **Utilisez l'outil uniquement pour poncer à sec** (toute pénétration d'eau dans l'outil accroît le risque de choc électrique)
- Ne touchez pas la feuille de ponçage en rotation
- N'utilisez plus les feuilles de ponçage usées, fissurées ou fortement encrassées
- Lorsque vous ponchez du métal, des étincelles se produisent; n'utilisez pas l'aspirateur et tenez toute autre personne ou tout matériel combustible éloignés de votre lieu de travail

UTILISATION

- Changement d'accessoires ⑤
 - ! **débranchez la fiche**
 - enlevez/montez l'accessoire nécessaire comme illustré
 - veillez à ce que les ouvertures de l'accessoire s'engagent dans les onglets de la tête de l'outil (toute position d'enclenchement possible)
 - montez l'accessoire, le centre enfoncé pointant vers le bas
 - desserrez/serrez la vis A avec la clé hexagonale B
 - **veillez à ce que l'accessoire soit bien serré** (les accessoires mal serrés ou qui ne sont pas serrés en toute sécurité peuvent se desserrer durant le fonctionnement et poser problème)
- Montage des feuilles de ponçage ⑥
 - avant de monter la feuille de ponçage C ② enlevez la poussière du revêtement VELCRO sur le patin de ponçage en tapant dessus

- montez une feuille de ponçage VELCRO comme illustré
- ! **l'aspiration des poussières exige des feuilles de ponçage perforées**
- ! **la perforation du papier devrait correspondre à la perforation de la semelle de ponçage**
- ! **quand les feuilles sont usagées n'attendez pas pour les changer**
- ! **utilisez toujours cet outil avec la surface VELCRO complètement recouverte d'une feuille de ponçage**
- Aspiration de poussières/de copeaux ⑦
 - montez le dispositif de dépoussiérage D comme illustré
 - montez l'aspirateur
 - ! **n'utilisez pas le dispositif de dépoussiérage/l'aspirateur pour le ponçage des métaux**
 - videz le dispositif de dépoussiérage D régulièrement pour une récupération optimale des poussières
- Marche/arrêt
 - mettez en marche/arrêtez l'outil en poussant l'interrupteur E ② dans la position "I"/"O"
 - ! **avant que l'accessoire atteigne la pièce à travailler, l'outil doit tourner à la vitesse maximum**
 - ! **avant d'arrêter l'outil, vous devriez le soulever de la pièce à travailler**
- Adaptation de la vitesse de fonctionnement ⑧
 - avec meule F la fréquence d'oscillation requise peut être réglée de faible (1) à haute (6) (aussi pendant que l'outil tourne)
 - la vitesse de travail optimale dépend du matériau et peut être déterminée par des essais pratiques
- Tenue et guidage de l'outil
 - ! **lorsque vous travaillez, tenez toujours l'outil par la(les) zone(s) de couleur grise ⑨**
 - veillez à ce que les fentes de ventilation G ② soient découvertes
 - n'appliquez pas une pression excessive sur l'outil (l'excès de pression entraîne un surchauffe et peut réduire la durée de vie utile de l'accessoire)
- Accessoire de réglage de profondeur (DEPTH STOP) (n'est pas livré en standard) ⑩

CONSEILS D'UTILISATION

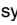
- Utilisez la lame de scie à segments H ② pour les sciages de séparation et en plongée dans du bois, du plâtre, du gypse et des plastiques (également pour scier près des bords, dans les coins et autres zones difficiles d'accès)
- Utilisez la lame de scie à coupe en plongée J ② pour les sciages de séparation et en plongée profonde dans du bois, du plâtre, du gypse et des plastiques (également pour scier près des bords, dans les coins et autres zones difficiles d'accès)
- Pour des suggestions complémentaires voyez www.skil.com

ENTRETIEN / SERVICE APRES-VENTE

- Cet outil n'est pas conçu pour un usage professionnel
- Gardez toujours votre outil et le câble propres (spécialement les aérations G ②)
- ! **débranchez la fiche avant le nettoyage**

- Si, malgré tous les soins apportés à la fabrication et au contrôle de l'outil, celui-ci devait avoir un défaut, la réparation ne doit être confiée qu'à une station de service après-vente agréée pour outillage SKIL
 - retournez l'outil **non démonté** avec votre preuve d'achat au revendeur ou au centre de service après-vente SKIL le plus proche (les adresses ainsi que la vue éclatée de l'outil figurent sur www.skil.com)

ENVIRONNEMENT

- **Ne jetez pas les outils électriques, les accessoires et l'emballage dans les ordures ménagères** (pour les pays européens uniquement)
 - conformément à la directive européenne 2012/19/EG relative aux déchets d'équipements électriques ou électroniques, et à sa transposition dans la législation nationale, les outils électriques usés doivent être collectés séparément et faire l'objet d'un recyclage respectueux de l'environnement
 - le symbole  vous le rappellera au moment de la mise au rebut de l'outil

DÉCLARATION DE CONFORMITÉ CE

Outil multifonctions 1470

Caractéristiques techniques

- Nous déclarons sous notre propre responsabilité que le produit décrit sous "Caractéristiques techniques" est en conformité avec les normes ou documents normatifs suivants: EN 60745, EN 61000, EN 55014, conformément aux termes des réglementations en vigueur 2014/30/UE, 2006/42/CE, 2011/65/UE
- **Dossier technique auprès de:** SKIL Europe BV (PT-SEU/ENG1), 4825 BD Breda, NL

Marijn van der Hoofden
Operations & Engineering

Olaf Dijkgraaf
Approval Manager

SKIL Europe BV, 4825 BD Breda, NL

29.07.2014

BRUIT/VIBRATION

- Mesuré selon EN 60745 le niveau de la pression sonore de cet outil est 92 dB(A) et le niveau de la puissance sonore 103 dB(A) (déviations standard: 3 dB), et la vibration * (somme vectorielle des trois axes directionnels; incertitude $K = 1,5 \text{ m/s}^2$)
 - * pendant le ponçage $8,8 \text{ m/s}^2$
 - * pendant le coupage avec une lame de scie à coupe en plongée $13,9 \text{ m/s}^2$
 - * pendant le coupage avec une lame de scie à segments $7,2 \text{ m/s}^2$
- Le niveau de vibrations émises a été mesuré conformément à l'essai normalisé de la norme EN 60745; il peut être utilisé pour comparer plusieurs outils et pour réaliser une évaluation préliminaire de l'exposition aux vibrations lors de l'utilisation de l'outil pour les applications mentionnées



- l'utilisation de l'outil dans d'autres applications, ou avec des accessoires différents ou mal entretenus, peut considérablement **augmenter** le niveau d'exposition
- la mise hors tension de l'outil et sa non-utilisation pendant qu'il est allumé peuvent considérablement **réduire** le niveau d'exposition
- ! **protégez-vous contre les effets des vibrations par un entretien correct de l'outil et de ses accessoires, en gardant vos mains chaudes et en structurant vos schémas de travail**

D

Multifunktionswerkzeug

1470

EINLEITUNG

- Dieses Werkzeug dient zum Sägen und Trennen von Holz, Kunststoff, Putz, Metall und weichen Wandfliesen sowie zum Trockenschleifen kleiner Oberflächen
- Dank des Schwingantriebs schwingt das Gerät bis zu 22000 Mal pro Minute für 3°, wodurch sich das Werkzeug besonders für Präzisionsarbeit an verwinkelten, engen und schwierig erreichbaren Stellen eignet
- Dieses Werkzeug eignet sich nicht für den professionellen Einsatz
- Dieses Werkzeug kann mit den meisten handelsüblichen Zubehörteilen für Multifunktionswerkzeuge verwendet werden, einschließlich BOSCH OIS-Zubehör 
- Bitte diese Bedienungsanleitung sorgfältig lesen und aufbewahren 

TECHNISCHE DATEN

WERKZEUGKOMPONENTEN

- A Befestigungsschraube mit Unterlegscheibe
- B Sechskantschlüssel
- C Schleifplatte
- D Staubabsaugvorrichtung
- E Ein/Aus-Schalter
- F Drehzahlregler
- G Lüftungsschlitze
- H Segmentsägeblatt
- J Tauchsägeblatt (Holz, 20 mm)
- K Schleifblatt (grob)
- L Schleifblatt (fein)
- M Tiefeneinstellungszubehör *

* STANDARDMÄSSIG NICHT ENTHALTEN

SICHERHEIT

ALLGEMEINE SICHERHEITSHINWEISE

⚠ ACHTUNG! Lesen Sie alle Sicherheitshinweise und Anweisungen. Versäumnisse bei der Einhaltung der Sicherheitshinweise und Anweisungen können elektrischen Schlag, Brand und/oder schwere Verletzungen verursachen. **Bewahren Sie alle Sicherheitshinweise und Anweisungen für die Zukunft auf.** Der in den

Sicherheitshinweisen verwendete Begriff "Elektrowerkzeug" bezieht sich auf netzbetriebene Elektrowerkzeuge (mit Netzkabel) und auf akkubetriebene Elektrowerkzeuge (ohne Netzkabel).

1) ARBEITSPLATZSICHERHEIT

- a) **Halten Sie Ihren Arbeitsbereich sauber und gut beleuchtet.** Unordnung oder unbeleuchtete Arbeitsbereiche können zu Unfällen führen.
- b) **Arbeiten Sie mit dem Gerät nicht in explosionsgefährdeter Umgebung, in der sich brennbare Flüssigkeiten, Gase oder Stäube befinden.** Elektrowerkzeuge erzeugen Funken, die den Staub oder die Dämpfe entzünden können.
- c) **Halten Sie Kinder und andere Personen während der Benutzung des Elektrowerkzeugs fern.** Bei Ablenkung können Sie die Kontrolle über das Gerät verlieren.

2) ELEKTRISCHE SICHERHEIT

- a) **Der Anschlussstecker des Gerätes muss in die Steckdose passen. Der Stecker darf in keiner Weise verändert werden. Verwenden Sie keine Adapterstecker gemeinsam mit schutzgeerdeten Geräten.** Unveränderte Stecker und passende Steckdosen verringern das Risiko eines elektrischen Schlages.
- b) **Vermeiden Sie Körperkontakt mit geerdeten Oberflächen, wie von Rohren, Heizungen, Herden und Kühlschränken.** Es besteht ein erhöhtes Risiko durch elektrischen Schlag, wenn Ihr Körper geerdet ist.
- c) **Halten Sie das Gerät von Regen oder Nässe fern.** Das Eindringen von Wasser in ein Elektrogerät erhöht das Risiko eines elektrischen Schlages.
- d) **Zweckentfremden Sie das Kabel nicht, um das Gerät zu tragen, aufzuhängen oder um den Stecker aus der Steckdose zu ziehen. Halten Sie das Kabel fern von Hitze, Öl, scharfen Kanten oder sich bewegendem Geräteteilen.** Beschädigte oder verwickelte Kabel erhöhen das Risiko eines elektrischen Schlages.
- e) **Wenn Sie mit einem Elektrowerkzeug im Freien arbeiten, verwenden Sie nur Verlängerungskabel, die auch für den Außenbereich zugelassen sind.** Die Anwendung eines für den Außenbereich geeigneten Verlängerungskabels verringert das Risiko eines elektrischen Schlages.
- f) **Wenn der Betrieb des Elektrowerkzeuges in feuchter Umgebung nicht vermeidbar ist, verwenden Sie einen Fehlerstromschutzschalter.** Der Einsatz eines Fehlerstromschutzschalters vermindert das Risiko eines elektrischen Schlages.

3) SICHERHEIT VON PERSONEN

- a) **Seien Sie aufmerksam, achten Sie darauf, was Sie tun, und gehen Sie mit Vernunft an die Arbeit mit einem Elektrowerkzeug. Benutzen Sie das Gerät nicht, wenn Sie müde sind oder unter dem Einfluss von Drogen, Alkohol oder Medikamenten stehen.** Ein Moment der Unachtsamkeit beim Gebrauch des Gerätes kann zu ernsthaften Verletzungen führen.
- b) **Tragen Sie persönliche Schutzausrüstung und immer eine Schutzbrille.** Das Tragen persönlicher Schutzausrüstung, wie Staubmaske, rutschfeste

Sicherheitsschuhe, Schutzhelm oder Gehörschutz, je nach Art und Einsatz des Elektrowerkzeuges, verringert das Risiko von Verletzungen.

- c) **Vermeiden Sie eine unbeabsichtigte Inbetriebnahme. Vergewissern Sie sich, dass das Elektrowerkzeug ausgeschaltet ist, bevor Sie es an die Stromversorgung und/oder den Akku anschließen, es aufnehmen oder tragen.** Wenn Sie beim Tragen des Elektrowerkzeuges den Finger am Schalter haben oder das Gerät eingeschaltet an die Stromversorgung anschließen, kann dies zu Unfällen führen.
 - d) **Entfernen Sie Einstellwerkzeuge oder Schraubenschlüssel, bevor Sie das Gerät einschalten.** Ein Werkzeug oder Schlüssel, der sich in einem drehenden Geräteteil befindet, kann zu Verletzungen führen.
 - e) **Überschätzen Sie sich nicht. Sorgen Sie für einen sicheren Stand und halten Sie jederzeit das Gleichgewicht.** Dadurch können Sie das Gerät in unerwarteten Situationen besser kontrollieren.
 - f) **Tragen Sie geeignete Kleidung. Tragen Sie keine weite Kleidung oder Schmuck. Halten Sie Haare, Kleidung und Handschuhe fern von sich bewegendem Teilen.** Lockere Kleidung, Schmuck oder lange Haare können von sich bewegendem Teilen erfasst werden.
 - g) **Wenn Staubabsaug- und -auffangeinrichtungen montiert werden können, vergewissern Sie sich, dass diese angeschlossen sind und richtig verwendet werden.** Verwendung einer Staubabsaugung verringert Gefährdungen durch Staub.
- ### 4) SORGFÄLTIGER UMGANG UND GEBRAUCH VON ELEKTROWERKZEUGEN
- a) **Überlasten Sie das Gerät nicht. Verwenden Sie für Ihre Arbeit das dafür bestimmte Elektrowerkzeug.** Mit dem passenden Elektrowerkzeug arbeiten Sie besser und sicherer im angegebenen Leistungsbereich.
 - b) **Benutzen Sie kein Elektrowerkzeug, dessen Schalter defekt ist.** Ein Elektrowerkzeug, das sich nicht mehr ein- oder ausschalten lässt, ist gefährlich und muss repariert werden.
 - c) **Ziehen Sie den Stecker aus der Steckdose und/oder entfernen Sie den Akku, bevor Sie Geräteeinstellungen vornehmen, Zubehörteile wechseln oder das Gerät weglegen.** Diese Vorsichtsmaßnahme verhindert den unbeabsichtigten Start des Geräts.
 - d) **Bewahren Sie unbenutzte Elektrowerkzeuge außerhalb der Reichweite von Kindern auf. Lassen Sie Personen das Gerät nicht benutzen, die mit diesem nicht vertraut sind oder diese Anweisungen nicht gelesen haben.** Elektrowerkzeuge sind gefährlich, wenn Sie von unerfahrenen Personen benutzt werden.
 - e) **Pflegen Sie das Gerät mit Sorgfalt. Kontrollieren Sie, ob bewegliche Geräteteile einwandfrei funktionieren und nicht klemmen, ob Teile gebrochen oder so beschädigt sind, dass die Funktion des Gerätes beeinträchtigt ist. Lassen Sie beschädigte Teile vor dem Einsatz des Geräts reparieren.** Viele Unfälle haben ihre Ursache in schlecht gewarteten Elektrowerkzeugen.

- f) **Halten Sie Schneidwerkzeuge scharf und sauber.** Sorgfältig gepflegte Schneidwerkzeuge mit scharfen Schneidkanten verkleben sich weniger und sind leichter zu führen.
- g) **Verwenden Sie Elektrowerkzeug, Zubehör, Einsatzwerkzeuge usw. entsprechend diesen Anweisungen. Berücksichtigen Sie dabei die Arbeitsbedingungen und die auszuführende Tätigkeit.** Der Gebrauch von Elektrowerkzeugen für andere als die vorgesehenen Anwendungen kann zu gefährlichen Situationen führen.

5) SERVICE

- a) **Lassen Sie Ihr Gerät nur von qualifiziertem Fachpersonal und nur mit Original-Ersatzteilen reparieren.** Damit wird sichergestellt, dass die Sicherheit des Geräts erhalten bleibt.

SICHERHEITSHINWEISE FÜR MULTIFUNKTIONSWERKZEUG

ALLGEMEINES

- Der Benutzer dieses Werkzeuges sollte älter als 16 Jahre sein
- Bei Benutzung von Verlängerungskabeln ist darauf zu achten, daß das Kabel vollständig abgerollt ist und eine Kapazität von 16 A hat
- Stets nachprüfen, daß die Netzspannung mit der auf dem Typenschild des Werkzeuges angegebenen Spannung übereinstimmt (mit 230V oder 240V beschriftete Werkzeuge können auch an 220V betrieben werden)
- Beschädigungen durch Schrauben, Nägel und ähnliches an Ihrem Werkstück vermeiden; diese vor Arbeitsbeginn entfernen
- **Sichern Sie das Werkstück** (ein mit Spannvorrichtungen oder Schraubstock festgehaltenes Werkstück ist sicherer gehalten als mit der Hand)
- **Bearbeiten Sie kein asbesthaltiges Material** (Asbest gilt als krebserregend)
- **Ziehen Sie grundsätzlich den Netzstecker, bevor Sie beliebige Änderungen an den Einstellungen oder einen Zubehörwechsel vornehmen**
- Beim Arbeiten das Werkzeug immer mit beiden Händen festhalten und einen sicheren Stand einnehmen
- Das Kabel immer von umlaufenden Teilen des Werkzeuges fernhalten; das Kabel nach hinten vom Werkzeug weg führen
- **Verwenden Sie Schutzhandschuhe zum Austauschen von Zubehör** (Kontakt mit Zubehör kann zu Verletzungen führen)
- Bei elektrischer oder mechanischer Fehlfunktion das Werkzeug sofort ausschalten und den Netzstecker ziehen
- Wird bei der Arbeit das Kabel beschädigt oder durchtrennt, Kabel nicht berühren, sondern sofort den Netzstecker ziehen
- Werkzeug nicht weiter verwenden, wenn das Kabel beschädigt ist; lassen Sie dieses von einem anerkannten Elektrofachmann ersetzen
- Sobald Sie sich von Ihrem Werkzeug entfernen, sollte dieses ausgeschaltet werden und die sich bewegenden Teile vollkommen zum Stillstand gekommen sein **BEIM SÄGEN/TRENNEN**

- **Halten Sie das Elektrowerkzeug an den isolierten Griffflächen, wenn Sie Arbeiten ausführen, bei denen das Einsatzwerkzeug verborgene Stromleitungen oder das eigene Netzkabel treffen kann** (der Kontakt mit einer spannungsführenden Leitung kann auch Metallteile des Elektrowerkzeuges unter Spannung setzen und zu einem elektrischen Schlag führen)
- **Hände vom Schnittbereich fern halten;** niemals während des Schneidens unter das Material greifen
- **Verwenden Sie geeignete Suchgeräte, um verborgene Versorgungsleitungen aufzuspüren, oder ziehen Sie die örtliche Versorgungsgesellschaft hinzu** (Kontakt mit Elektroleitungen kann zu Feuer und elektrischem Schlag führen; Beschädigung einer Gasleitung kann zur Explosion führen; Eindringen in eine Wasserleitung verursacht Sachbeschädigung oder kann einen elektrischen Schlag verursachen)
- Rissige oder stumpfe Sägeblätter, oder solche, die ihre Form verändert haben, dürfen nicht verwendet werden **BEIM SCHLEIFEN**
- Staub von Materialien wie Farbe, die Blei enthält, einigen Holzarten, Mineralien und Metall kann schädlich sein (Kontakt mit oder Einatmen des Staubs kann zu allergischen Reaktionen und/oder Atemwegskrankheiten beim Bediener oder Umstehenden führen); **tragen Sie eine Staubmaske und arbeiten Sie mit einem Staubabsaugungssystem, wenn ein solches angeschlossen werden kann**
- Bestimmte Arten von Staub sind als karzinogen klassifiziert (beispielsweise Eichen- und Buchenholzstaub), insbesondere in Verbindung mit Zusätzen für die Holzvorbehandlung; **tragen Sie eine Staubmaske und arbeiten Sie mit einem Staubabsaugungssystem, wenn ein solches angeschlossen werden kann**
- Beachten Sie die für Ihr verwendetes Verbrauchsmaterial gültigen nationalen Staubschutzvorgaben
- **Verwenden Sie das Werkzeug nur zum Trockenschleifen** (das Eindringen von Flüssigkeiten erhöht das Risiko eines Stromschlags)
- Nicht mit dem laufenden Schleifpapier in Berührung kommen
- Verwenden Sie verschlissene, eingerissene oder stark zugesetzte Schleifpapiere nicht weiter
- Beim Schleifen von Metall entstehen Funken; verwenden Sie den Staubsauger nicht und halten Sie andere Personen sowie brennbare Materialien von Ihrem Arbeitsbereich fern

BEDIENUNG

- Auswechseln des Zubehörs ⑤
- ! **Netzstecker ziehen**
 - entfernen/montieren Sie das gewünschte Zubehör wie abgebildet
 - stellen Sie sicher, dass die Öffnungen des Zubehörs in die Zungen des Werkzeugkopfs greifen (jede Einrastposition möglich)
 - montieren Sie das Zubehör mit der vertieften Mitte nach unten

- lösen/befestigen Sie die Schraube A mit einem Sechskantschlüssel B
- **prüfen Sie den festen Sitz des Zubehörs** (falsch oder nicht sicher befestigtes Zubehör kann sich im Betrieb lösen und gefährlich werden)
- Schleifpapierbefestigung ⑥
 - VELCRO-Klettgewebe der Schleifplatte C ② vor Aufsetzen des Schleifpapiers ausklopfen
 - VELCRO-Schleifpapier wie dargestellt befestigen
 - ! **für die Staubabsaugung brauchen Sie gelochtes Papier**
 - ! **die Löcher im Schleifpapier sollten mit denen der Schleifplatte übereinstimmen**
 - ! **abgenutztes Schleifpapier rechtzeitig erneuern**
 - ! **benutzen Sie das Werkzeug nur, wenn die gesamte VELCRO-Fläche mit Schleifpapier bedeckt ist**
- Staub-/Späneabsaugung ⑦
 - Staubabsaugvorrichtung D wie dargestellt montieren
 - Staubsauger anschließen
 - ! **Staubabsaugsystem/Staubsauger nicht beim Schleifen von Metall verwenden**
 - regelmäßige Entleerung des Staubabsaugsystems D sorgt für optimale Absaugung
- Ein/Aus
 - Werkzeug durch Drücken des Ein-/Aus-Schalters E ② in die Position "I"/"O" ein-/ausschalten
 - ! **bevor das Zubehör in das Werkstück eingeführt wird, muß erst Höchstgeschwindigkeit erreicht werden**
 - ! **vor dem Ausschalten des Werkzeuges sollte dieses vom Werkstück abgenommen werden**
- Einstellung der Arbeitsgeschwindigkeit ⑧
 - mit dem Rad F wird die gewünschte Schwinggeschwindigkeit von niedrig (1) bis hoch (6) eingestellt (auch wenn das Gerät läuft)
 - die optimale Arbeitsgeschwindigkeit hängt vom Material ab und kann durch praktische Versuche festgestellt werden
- Halten und Führen des Werkzeuges
 - ! **Werkzeug beim Arbeiten immer am grauen Griffbereich fassen** ⑨
 - Lüftungsschlitze G ② unbedeckt halten
 - nicht zu viel Druck auf das Werkzeug ausüben (zu hoher Druck führt zu verstärkter Hitzeentwicklung und verkürzt die Lebensdauer des Zubehörs)
- Tiefeneinstellungszubehör (DEPTH STOP) (nicht standartmäßig enthalten) ⑩

ANWENDUNGSHINWEISE

- Verwenden Sie das Segmentsägeblatt H ② zum Trennen und für Einstichschnitte in Holz, Putz, Gips und Kunststoff (auch zum Sägen an Kanten, in Ecken und an schwer erreichbaren Stellen)
- Verwenden Sie das Tauchsägeblatt J ② zum Trennen und für tiefe Einstichschnitte in Holz, Putz, Gips und weichen Kunststoff (auch zum Sägen an Kanten, in Ecken und an schwer erreichbaren Stellen)
- Für mehr Tips siehe www.skil.com

WARTUNG / SERVICE

- Dieses Werkzeug eignet sich nicht für den professionellen Einsatz
- Halten Sie Werkzeug und Kabel immer sauber (insbesondere die Lüftungsschlitze G ②)
! **Netzstecker vor dem Säubern ziehen**
- Sollte das Elektrowerkzeug trotz sorgfältiger Herstellungs- und Prüfverfahren einmal ausfallen, ist die Reparatur von einer autorisierten Kundendienststelle für SKIL-Elektrowerkzeuge ausführen zu lassen
 - das Werkzeug **unzerlegt**, zusammen mit dem Kaufbeleg, an den Lieferer oder die nächste SKIL-Vertragswerkstätte senden (die Anschriften so wie die Ersatzteilzeichnung des Werkzeuges finden Sie unter www.skil.com)

UMWELT

- **Elektrowerkzeuge, Zubehör und Verpackungen nicht in den Hausmüll werfen** (nur für EU-Länder)
 - gemäss Europäischer Richtlinie 2012/19/EG über Elektro- und Elektronik- Altgeräte und Umsetzung in nationales Recht müssen nicht mehr gebrauchsfähige Elektrowerkzeuge getrennt gesammelt und einer umweltgerechten Wiederverwertung zugeführt werden
 - hieran soll Sie Symbol ⑪ erinnern

KONFORMITÄTSERKLÄRUNG CE

Multifunktionswerkzeug 1470

Technische Daten ①

- Wir erklären in alleiniger Verantwortung, daß das unter "Technische Daten" beschriebene Produkt mit den folgenden Normen oder normativen Dokumenten übereinstimmt: EN 60745, EN 61000, EN 55014, gemäß den Bestimmungen der Richtlinien 2014/30/EU, 2006/42/EG, 2011/65/EU
- **Technische Unterlagen** **BE:** SKIL Europe BV (PT-SEU/ENG1), 4825 BD Breda, NL

Marijn van der Hoofden
Operations & Engineering

Olaf Dijkgraaf
Approval Manager

SKIL Europe BV, 4825 BD Breda, NL

29.07.2014

GERÄUSCH/VIBRATION

- Gemessen gemäß EN 60745 beträgt der Schalldruckpegel dieses Gerätes 92 dB(A) und der Schalleistungspegel 103 dB(A) (Standardabweichung: 3 dB), und die Vibration * (Vektorsumme dreier Richtungen; Unsicherheit K = 1,5 m/s²)
 - * beim Schleifen 8,8 m/s²
 - * beim Trennen mit dem Tauchsägeblatt 13,9 m/s²
 - * beim Trennen mit dem Segmentsägeblatt 7,2 m/s²
- Die Vibrationsemissionsstufe wurde mit einem standardisierten Test gemäß EN 60745 gemessen; Sie kann verwendet werden, um ein Werkzeug mit einem anderen zu vergleichen und als vorläufige Beurteilung

der Vibrationsexposition bei Verwendung des Werkzeugs für die angegebenen Anwendungszwecke

- die Verwendung des Werkzeugs für andere Anwendungen oder mit anderem oder schlecht gewartetem Zubehör kann die Expositionsstufe erheblich **erhöhen**
- Zeiten, zu denen das Werkzeug ausgeschaltet ist, oder wenn es läuft aber eigentlich nicht eingesetzt wird, können die Expositionsstufe erheblich **verringern**

! schützen Sie sich vor den Auswirkungen der Vibration durch Wartung des Werkzeugs und des Zubehörs, halten Sie Ihre Hände warm und organisieren Sie Ihren Arbeitsablauf

NL

Multifunctionele machine 1470

INTRODUCTIE

- Deze machine is bedoeld voor het zagen en snijden van hout, kunststof, pleister, metaal en zachte muurtegels alsmede het droogschuren van kleine oppervlakken
- Als gevolg van de oscillerende aansturing schommelt het accessoire maximaal 22000 keer per minuut voor 3°, waardoor de machine met name geschikt is voor precisiewerk op randen en smalle en moeilijk bereikbare plaatsen
- Deze machine is niet bedoeld voor professioneel gebruik
- Deze machine kan worden gebruikt in combinatie met vrijwel alle algemeen verkrijgbare accessoires voor multifunctionele machines, inclusief bestaande BOSCH OIS-accessoires ③
- Lees en bewaar deze gebruiksaanwijzing ④

TECHNISCHE GEGEVENS ①

MACHINE-ELEMENTEN ②

- A Klemschroef met sluitring
- B Zeskantsleutel
- C Schuurkussen
- D Stofopvangvoorziening
- E Aan/uit schakelaar
- F Toerental-instelwieletje
- G Ventilatie-openingen
- H Segmentzaagblad
- J Insteekzaagblad (hout, 20 mm)
- K Schuurpapier (grof)
- L Schuurpapier (fijn)
- M Accessoire voor diepteafstelling *

* NIET STANDAARD MEEGELEVERD

VEILIGHEID

ALGEMENE VEILIGHEIDSVORSCHRIFTEN

⚠ LET OP! Lees alle veiligheids waarschuwingen en alle voorschriften. Als de waarschuwingen en voorschriften niet worden opgevolgd, kan dit een elektrische

schok, brand of ernstig letsel tot gevolg hebben. **Bewaar alle waarschuwingen en voorschriften voor toekomstig gebruik.** Het in de waarschuwingen gebruikte begrip "elektrisch gereedschap" heeft betrekking op elektrische gereedschappen voor gebruik op het stroomnet (met netsnoer) en op elektrische gereedschappen voor gebruik met een accu (zonder netsnoer).

1) VEILIGHEID VAN DE WERKOMGEVING

- a) **Houd uw werkomgeving schoon en opgeruimd.** Een rommelige of onverlichte werkomgeving kan tot ongevallen leiden.
- b) **Werk met het gereedschap niet in een omgeving met explosiegevaar waarin zich brandbare vloeistoffen, gassen of stof bevinden.** Elektrische gereedschappen veroorzaken vonken die het stof of de dampen tot ontsteking kunnen brengen.
- c) **Houd kinderen en andere personen tijdens het gebruik van het elektrische gereedschap uit de buurt.** Wanneer u wordt afgeleid, kunt u de controle over het gereedschap verliezen.

2) ELEKTRISCHE VEILIGHEID

- a) **De aansluitstekker van het gereedschap moet in het stopcontact passen. De stekker mag in geen geval worden veranderd. Gebruik geen adapterstekkers in combinatie met geaarde gereedschappen.** Onveranderde stekkers en passende stopcontacten beperken het risico van een elektrische schok.
- b) **Voorkom aanraking van het lichaam met geaarde oppervlakken, bijvoorbeeld van buizen, verwarmingen, fornuizen en koelkasten.** Er bestaat een verhoogd risico door een elektrische schok wanneer uw lichaam geaard is.
- c) **Houd het gereedschap uit de buurt van regen en vocht.** Het binnendringen van water in het elektrische gereedschap vergroot het risico van een elektrische schok.
- d) **Gebruik de kabel niet voor een verkeerd doel, om het gereedschap te dragen of op te hangen of om de stekker uit het stopcontact te trekken. Houd de kabel uit de buurt van hitte, olie, scherpe randen en bewegende gereedschapsdelen.** Beschadigde of in de war geraakte kabels vergroten het risico van een elektrische schok.
- e) **Wanneer u buitenshuis met elektrisch gereedschap werkt, dient u alleen verlengkabels te gebruiken die voor gebruik buitenshuis zijn goedgekeurd.** Het gebruik van een voor gebruik buitenshuis geschikte verlengkabel beperkt het risico van een elektrische schok.
- f) **Als het gebruik van het elektrische gereedschap in een vochtige omgeving onvermijdelijk is, dient u een aardlekschakelaar te gebruiken.** Het gebruik van een aardlekschakelaar vermindert het risico van een elektrische schok.

3) VEILIGHEID VAN PERSONEN

- a) **Wees alert, let goed op wat u doet en ga met verstand te werk bij het gebruik van het elektrische gereedschap. Gebruik het gereedschap niet wanneer u moe bent of onder invloed staat van drugs, alcohol of medicijnen.** Een moment van onoplettendheid bij het gebruik van het gereedschap kan tot ernstige verwondingen leiden.

- b) **Draag persoonlijke beschermende uitrusting en altijd een veiligheidsbril.** Het dragen van persoonlijke beschermende uitrusting zoals een stofmasker, slipvaste werkschoenen, een veiligheidshelm of gehoorbescherming, afhankelijk van de aard en het gebruik van het elektrische gereedschap, vermindert het risico van verwondingen.
- c) **Voorkom per ongeluk inschakelen. Controleer dat het elektrische gereedschap uitgeschakeld is voordat u de stekker in het stopcontact steekt of de accu aansluit en voordat u het gereedschap oppakt of draagt.** Wanneer u bij het dragen van het elektrische gereedschap uw vinger aan de schakelaar hebt of wanneer u het gereedschap ingeschakeld op de stroomvoorziening aansluit, kan dit tot ongevallen leiden.
- d) **Verwijder instelgereedschappen of schroefsleutels voordat u het gereedschap inschakelt.** Een instelgereedschap of sleutel in een draaiend deel van het gereedschap kan tot verwondingen leiden.
- e) **Probeer niet ver te reiken. Zorg ervoor dat u stevig staat en steeds in evenwicht blijft.** Daardoor kunt u het gereedschap in onverwachte situaties beter onder controle houden.
- f) **Draag geschikte kleding. Draag geen loshangende kleding of sieraden. Houd haren, kleding en handschoenen uit de buurt van bewegende delen.** Loshangende kleding, sieraden en lange haren kunnen door bewegende delen worden meegenomen.
- g) **Wanneer stofafzuigings- of stofopvangvoorzieningen kunnen worden gemonteerd, dient u zich ervan te verzekeren dat deze zijn aangesloten en juist worden gebruikt.** Het gebruik van een stofafzuiging beperkt het gevaar door stof.
- 4) GEBRUIK EN ONDERHOUD VAN ELEKTRISCHE GEREEDSCHAPPEN**
- a) **Overbelast het gereedschap niet. Gebruik voor uw werkzaamheden het daarvoor bestemde elektrische gereedschap.** Met het passende elektrische gereedschap werkt u beter en veiliger binnen het aangegeven capaciteitsbereik.
- b) **Gebruik geen elektrisch gereedschap waarvan de schakelaar defect is.** Elektrisch gereedschap dat niet meer kan worden in- of uitgeschakeld, is gevaarlijk en moet worden gerepareerd.
- c) **Trek de stekker uit het stopcontact of neem de accu uit het elektrische gereedschap voordat u het gereedschap instelt, toebehoren wisselt of het gereedschap weglegt.** Deze voorzorgsmaatregel voorkomt onbedoeld starten van het gereedschap.
- d) **Bewaer niet-gebruikte elektrische gereedschappen buiten bereik van kinderen. Laat het gereedschap niet gebruiken door personen die er niet mee vertrouwd zijn en deze aanwijzingen niet hebben gelezen.** Elektrische gereedschappen zijn gevaarlijk wanneer deze door onervaren personen worden gebruikt.
- e) **Verzorg het gereedschap zorgvuldig. Controleer of bewegende delen van het gereedschap correct functioneren en niet vastklemmen en of onderdelen zodanig gebroken of beschadigd zijn dat de werking van het gereedschap nadelig wordt beïnvloed. Laat beschadigde delen repareren voordat u het gereedschap gebruikt.** Veel ongevallen hebben hun

oorzaak in slecht onderhouden elektrische gereedschappen.

- f) **Houd snijdende inzetgereedschappen scherp en schoon.** Zorgvuldig onderhouden snijdende inzetgereedschappen met scherpe snijkanten klemmen minder snel vast en zijn gemakkelijker te geleiden.
- g) **Gebruik elektrische gereedschappen, toebehoren, inzetgereedschappen en dergelijke volgens deze aanwijzingen. Let daarbij op de arbeidsomstandigheden en de uit te voeren werkzaamheden.** Het gebruik van elektrische gereedschappen voor andere dan de voorziene toepassingen kan tot gevaarlijke situaties leiden.

5) SERVICE

- a) **Laat het gereedschap alleen repareren door gekwalificeerd en vakkundig personeel en alleen met originele vervangingsonderdelen.** Daarmee wordt gewaarborgd dat de veiligheid van het gereedschap in stand blijft.

VEILIGHEIDSIINSTRUCTIES VOOR MULTIFUNCTIONELE MACHINES

ALGEMEEN

- Deze machine mag niet worden gebruikt door personen onder de 16 jaar
 - Gebruik volledig uitgerolde en veilige verlengsnoeren met een capaciteit van 16 Ampère
 - Controleer altijd of het voltage, dat vermeld staat op het typeplaatje van de machine, overeenkomt met de netspanning (met 230V of 240V aangeduide machines kunnen ook op 220V aangesloten worden)
 - Voorkom schade, die kan ontstaan door schroeven, spijkers en andere voorwerpen in uw werkstuk; verwijder deze, voordat u aan een karwei begint
 - **Zet het werkstuk vast** (een werkstuk, dat is vastgezet met klemmen of in een bankschroef, zit steviger vast dan wanneer het met de hand wordt vastgehouden)
 - **Bewerk geen asbesthoudend materiaal** (asbest geldt als kankerverwekkend)
 - **Trek altijd de stekker uit het stopcontact voordat u een instelling verandert of een accessoire verwisselt**
 - Houd de machine tijdens het werken altijd stevig met beide handen vast en zorg ervoor, dat u stevig staat
 - Houd het snoer altijd verwijderd van de bewegende delen van uw machine; richt het snoer naar achteren, van de machine weg
 - **Gebruik beschermende handschoenen bij het verwisselen van accessoires** (contact met het accessoire kan resulteren in letsel)
 - In geval van elektrische of mechanische storing, de machine onmiddellijk uitschakelen en de stekker uit het stopcontact trekken
 - Raak het snoer niet aan, als dit tijdens de werkzaamheden wordt beschadigd of doorgesneden, maar trek onmiddellijk de stekker uit het stopcontact
 - Gebruik de machine niet, wanneer het snoer beschadigd is; laat dit door een erkende vakman vervangen
 - Als u de machine wegzet moet de motor uitgeschakeld zijn en de bewegende delen tot stilstand zijn gekomen
- TIJDENS ZAGEN/SNIJDEN**

- **Houd het elektrische gereedschap aan de geïsoleerde greepvlakken vast als u werkzaamheden uitvoert waarbij het inzetgereedschap verborgen stroomleidingen of de eigen stroomkabel kan raken** (contact met een onder spanning staande leiding kan ook metalen delen van het elektrische gereedschap onder spanning zetten en tot een elektrische schok leiden)
- **Houd uw handen uit de buurt van het snijbied**; ga in geen geval met uw handen onder het materiaal tijdens het snijden
- **Gebruik een geschikt detectieapparaat om verborgen stroom-, gas- of waterleidingen op te sporen of raadpleeg het plaatselijke energie- of waterleidingbedrijf** (contact met elektrische leidingen kan tot brand of een elektrische schok leiden; beschadiging van een gasleiding kan tot een explosie leiden; breuk van een waterleiding veroorzaakt materiële schade en kan tot een elektrische schok leiden)
- Gebruik geen beschadigd, vervormd of bot zaagblad TIJDENS SCHUREN
- Stof van materiaal zoals loodhoudende verf, sommige houtsoorten, mineralen en metaal kunnen schadelijk zijn (contact met of inademing van de stof kan allergische reacties en/of ademhalingsziekten bij gebruiker of omstanders veroorzaken); **draag een stofmasker en werk met een stofopvang-voorziening als die kan worden aangesloten**
- Bepaalde soorten stof zijn geclassificeerd als kankerverwekkend (zoals stof van eiken en beuken), met name in combinatie met toevoegingsmiddelen voor houtverzorging; **draag een stofmasker en werk met een stofopvang-voorziening als die kan worden aangesloten**
- Neem voor de door u te bewerken materialen de nationale voorschriften aangaande stofopvang in acht
- **Gebruik de machine uitsluitend voor droogschuren** (penetratie van water in de machine vergroot het risico van een elektrische schok)
- Kom niet in aanraking met het draaiend schuurpapier
- Gebruik versleten, gescheurd of ernstig beschadigd schuurpapier niet meer
- Bij het schuren van metaal ontstaan vonken; gebruik de stofzuiger niet en houd andere personen en brandbaar materiaal van het werkgebied weg

GEBRUIK

- Verwisselen van accessoires ⑤
! **trek de stekker uit het stopcontact**
- verwijder/monteer het vereiste accessoire zoals aangegeven in de afbeelding
- zorg dat de opening van het accessoire in de nokjes aan de voorkant van de machine past (mogelijk klikt deze in positie)
- monteer het accessoire met het ingedrukte middenstuk naar beneden gericht
- draai schroef A los/vast met zeskantsleutel B
- **controleer of het accessoire goed vast zit** (accessoires die onjuist of niet goed vast zitten, kunnen tijdens gebruik loskomen en een gevaar vormen)

- Bevestigen van schuurpapier ⑥
 - klop het stof uit het VELCRO-materiaal op schuurkussen C ② voorafgaand aan bevestiging van het schuurpapier
 - breng VELCRO-schuurpapier aan zoals afgebeeld
 - ! **t.b.v. stofafzuiging geperforeerd schuurpapier gebruiken**
 - ! **perforatie van het schuurpapier moet corresponderen met perforatie in de schuurvoet**
 - ! **vervang versleten schuurpapier tijdig**
 - ! **gebruik de machine alleen wanneer het gehele VELCRO-oppervlak met schuurpapier is bedekt**
- Opvangvoorziening voor stof en spanen ⑦
 - monteer stofopvangvoorziening D zoals aangegeven in de afbeelding
 - sluit stofzuiger aan
 - ! **gebruik de stofopvangvoorziening/stofzuiger niet bij het schuren van metaal**
 - reinig stofopvangvoorziening D regelmatig voor optimale stofafzuiging
- Aan/uit
 - schakel de machine aan/uit door schakelaar E ② in stand "I"/"O" te zetten
 - ! **voordat het accessoire in aanraking komt met het werkstuk, moet uw machine op volle toeren draaien**
 - ! **voordat u de machine uitschakelt, dient u deze van het werkstuk op te lichten**
- Werksnelheid aanpassen ⑧
 - met schijf F kan de gewenste oscillerende frequentie worden ingesteld van laag (1) tot hoog (6) (ook terwijl de machine wordt gebruikt)
 - de optimale werksnelheid is afhankelijk van het materiaal en kan proefondervindelijk worden vastgesteld
- Vasthouden en leiden van de machine
 - ! **houd de machine tijdens het werk altijd vast bij het(de) grijs-gekleurde greepvlak(ken) ⑨**
 - houd ventilatie-openingen G ② onbedekt
 - oefen niet teveel druk uit op de machine (overmatige druk zal leiden tot overmatige hitte en kan de levensduur van het accessoire bekorten)
- Accessoire voor diepte-instelling (DEPTH STOP) (**wordt niet standaard meegeleverd**) ⑩

TOEPASSINGSADVIES

- Gebruik segmentzaagblad H ② voor separeren en invalzaagsnedes in hout, pleister, gips en kunststof (ook voor het zagen dichtbij randen, in hoeken en andere moeilijk bereikbare plaatsen)
- Gebruik insteekzaagblad J ② voor separeren en diepe invalzaagsnedes in hout, pleister, gips en zachte kunststof (ook voor het zagen dichtbij randen, in hoeken en andere moeilijk bereikbare plaatsen)
- Voor meer tips zie www.skil.com

ONDERHOUD / SERVICE

- Deze machine is niet bedoeld voor professioneel gebruik
- Houd machine en snoer altijd schoon (met name de ventilatie-openingen G ②)
! **trek de stekker uit het stopcontact vóór het reinigen**

- Mocht het elektrische gereedschap ondanks zorgvuldige fabricage- en testmethoden toch defect raken, dient de reparatie te worden uitgevoerd door een erkende klantenservice voor SKIL elektrische gereedschappen
 - stuur de machine **ongedemonteerd**, samen met het aankoopbewijs, naar het verkoopadres of het dichtstbijzijnde SKIL service-station (de adressen evenals de onderdeelentekening van de machine vindt u op www.skil.com)

MILIEU

- **Geef electrisch gereedschap, accessoires en verpakkingen niet met het huisvuil mee** (alleen voor EU-landen)
 - volgens de Europese richtlijn 2012/19/EG inzake oude elektrische en elektronische apparaten en de toepassing daarvan binnen de nationale wetgeving, dient afgedankt electrisch gereedschap gescheiden te worden ingezameld en te worden afgevoerd naar een recycle-bedrijf, dat voldoet aan de geldende milieu-eisen
 - symbool  zal u in het afdankstadium hieraan herinneren

CONFORMITEITSVERKLARING CE

Multifunctionele machine 1470

Technische gegevens

- Wij verklaren als alleen verantwoordelijke, dat het onder "Technische gegevens" beschreven product voldoet aan de volgende normen of normatieve documenten: EN 60745, EN 61000, EN 55014, overeenkomstig de bepalingen van de richtlijnen 2014/30/EU, 2006/42/EG, 2011/65/EU
- **Technisch dossier bij:** SKIL Europe BV (PT-SEU/ENG1), 4825 BD Breda, NL

Marijn van der Hoofden Olaf Dijkgraaf
Operations & Engineering Approval Manager




SKIL Europe BV, 4825 BD Breda, NL

29.07.2014

GELUID/VIBRATIE

- Gemeten volgens EN 60745 bedraagt het geluidsdruk-niveau van deze machine 92 dB(A) en het geluidsvermogen-niveau 103 dB(A) (standaard deviatie: 3 dB), en de vibratie * (vectorsom van drie richtingen; onzekerheid $K = 1,5 \text{ m/s}^2$)
 - * bij het schuren $8,8 \text{ m/s}^2$
 - * bij het zagen met insteekzaagblad $13,9 \text{ m/s}^2$
 - * bij het zagen met segmentzaagblad $7,2 \text{ m/s}^2$
- Het trillingsemisssieniveau is gemeten in overeenstemming met een gestandaardiseerde test volgens EN 60745; deze mag worden gebruikt om twee machines met elkaar te vergelijken en als voorlopige beoordeling van de blootstelling aan trilling bij gebruik van de machine voor de vermelde toepassingen



- gebruik van de machine voor andere toepassingen, of met andere of slecht onderhouden accessoires, kan het blootstellingsniveau aanzienlijk **verhogen**
- wanneer de machine is uitgeschakeld of wanneer deze loopt maar geen werk verricht, kan dit het blootstellingsniveau aanzienlijk **reduceren**
- ! **bescherm uzelf tegen de gevolgen van trilling door de machine en de accessoires te onderhouden, uw handen warm te houden en uw werkwijze te organiseren**

S

Multifunktionsverktvg

1470

INTRODUKTION

- Detta verktvg är avsett för att sågning och kapning av trä, plast, gips, metaller och mjuka väggplattor samt för torsandning av små ytor
- Tack vare den oscillerande kraften svänger tillbehöret upp till 22000 gånger per minut i 3°, vilket gör verktvget särskilt lämpligt för precisionsarbete på kantiga, smala och andra svåråtkomliga platser
- Det här verktvget är inte avsett för yrkesmässig användning
- Det här verktvget kan användas tillsammans med de flesta vanliga multiverktvgstillbehör, inklusive befintliga BOSCH OIS-tillbehör 
- Läs och spara denna instruktionsbok 

TEKNISKA DATA


VERKTVGSELEMENT

- A Klämskruv med bricka
- B Sexkantsnyckel
- C Slipskiva
- D Dammutugsugningsenhet
- E Till/från strömbrytare
- F Hjul för varvtalesinställning
- G Ventilationsöppningar
- H Segmentsågblad
- J Insticksågblad (trä, 20 mm)
- K Slippapper (grovt)
- L Slippapper (fint)
- M Djupinställningstillbehör *

* INGÅR EJ SOM STANDARD

SÄKERHET

ALLMÄNNA SÄKERHETSANVISNINGAR

 **OBS! Läs noga igenom alla anvisningar.** Fel som uppstår till följd av att anvisningarna nedan inte följts kan orsaka elstöt, brand och/eller allvarliga kroppsskador. **Förvara alla varningar och anvisningar för framtida bruk.** Nedan använt begrepp "elverktvg" hänför sig till nätdrivna elverktvg (med nätsladd) och till batteridrivna elverktvg (sladdlösa).

1) ARBETSPLATSSÄKERHET

- a) **Håll arbetsplatsen ren och välbelyst.** Oordning på arbetsplatsen eller dåligt belyst arbetsområde kan leda till olyckor.
- b) **Använd inte elverktyget i explosionsfarlig omgivning med brännbara vätskor, gaser eller damm.** Elverktigen alstrar gnistor som kan antända dammet eller gaserna.
- c) **Håll under arbetet med elverktyget barn och obehöriga personer på betryggande avstånd.** Om du störs av obehöriga personer kan du förlora kontrollen över elverktyget.

2) ELEKTRISK SÄKERHET

- a) **Elverktygets stickpropp måste passa till vägguttaget. Stickproppen får absolut inte förändras. Använd inte adapterkontakter tillsammans med skyddsjordade elverktyg.** Oförändrade stickproppar och passande vägguttag reducerar risken för elektriskt slag.
- b) **Undvik kroppskontakt med jordade ytor som t. ex. rör, värmeelement, spisar och kylskåp.** Det finns en större risk för elektriskt slag om din kropp är jordad.
- c) **Skydda elverktyget mot regn och väta.** Tränger vatten in i ett elverktyg ökar risken för elektriskt slag.
- d) **Missbruka inte nätsladden och använd den inte för att bära eller hänga upp elverktyget och inte heller för att dra stickproppen ur vägguttaget. Håll nätsladden på avstånd från värme, olja, skarpa kanter och rörliga maskindelar.** Skadade eller tilltrasslade ledningar ökar risken för elektriskt slag.
- e) **När du arbetar med ett elverktyg utomhus använd endast förlängningssladdar som är godkända för utomhusbruk.** Om en lämplig förlängningssladd för utomhusbruk används minskar risken för elektriskt slag.
- f) **Använd en jordfelsbrytare om det inte är möjligt att undvika elverktygets användning i fuktig miljö.** Genom att använda en jordfelsbrytare minskas risken för elstöt.

3) PERSONSÄKERHET

- a) **Var uppmärksam, kontrollera vad du gör och använd elverktyget med förnuft. Använd inte elverktyget när du är trött eller om du är påverkad av droger, alkohol eller mediciner.** Under användning av elverktyg kan även en kort uppmärksamhet leda till allvarliga kroppsskador.
- b) **Bär alltid personlig skyddsutrustning och skyddsglasögon.** Användning av personlig skyddsutrustning som t. ex. dammfiltermask, halkfria säkerhetsskor, skyddshjälm och hörselskydd reducerar alltefter elverktygets typ och användning risken för kroppsskada.
- c) **Undvik oavsiktlig igångsättning. Kontrollera att elverktyget är fränkopplat innan du ansluter stickproppen till vägguttaget och/eller ansluter/tar bort batteriet, tar upp eller bär elverktyget.** Om du bär elverktyget med fingret på strömmställaren eller ansluter påkopplat elverktyg till nätröret kan olycka uppstå.
- d) **Ta bort alla inställningsverktyg och skruvnycklar innan du kopplar på elverktyget.** Ett verktyg eller en nyckel i en roterande komponent kan medföra kroppsskada.

- e) **Överskatta inte din förmåga. Se till att du står stadigt och håller balansen.** I detta fall kan du lättare kontrollera elverktyget i oväntade situationer.
 - f) **Bär lämpliga kläder. Bär inte löst hängande kläder eller smycken. Håll håret, kläderna och handskarna på avstånd från rörliga delar.** Löst hängande kläder, smycken och långt hår kan dras in av roterande delar.
 - g) **Vid elverktyg med dammsugnings- och -uppsamlingsutrustning kontrollera att anordningarna är rätt monterade och används på korrekt sätt.** Användning av dammsugning minskar de risker damm orsakar.
- ## 4) OMSORGSFULL HANTERING OCH ANVÄNDNING AV ELVERKTYG
- a) **Överbelasta inte elverktyget. Använd för aktuellt arbete avsett elverktyg.** Med ett lämpligt elverktyg kan du arbeta bättre och säkrare inom angivet effektområde.
 - b) **Ett elverktyg med defekt strömställare får inte längre användas.** Ett elverktyg som inte kan kopplas in eller ur är farligt och måste repareras.
 - c) **Dra stickproppen ur vägguttaget och/eller ta bort batteriet innan inställningar utförs, tillbehör delar byts ut eller elverktyget lagras.** Denna skyddsåtgärd förhindrar oavsiktlig inkoppling av elverktyget.
 - d) **Förvara elverktygen oäktsamliga för barn. Låt elverktyget inte användas av personer som inte är förtrogna med dess användning eller inte läst denna anvisning.** Elverktigen är farliga om de används av oerfarna personer.
 - e) **Sköt elverktyget omsorgsfullt. Kontrollera att rörliga komponenter fungerar felfritt och inte kärvar, att komponenter inte brustit eller skadats; orsaker som kan leda till att elverktygets funktioner påverkas menligt. Låt skadade delar repareras innan elverktyget återanvänds.** Många olyckor orsakas av dåligt sköta elverktyg.
 - f) **Håll skärverktygen skarpa och rena.** Omsorgsfullt sköta skärverktyg med skarpa eggar kommer inte så lätt i kläm och går lättare att styra.
 - g) **Använd elverktyget, tillbehör, insatsverktyg osv. enligt dessa anvisningar. Ta hänsyn till arbetsvillkoren och arbetsmomenten.** Används elverktyget på icke ändamålsenligt sätt kan farliga situationer uppstå.

SÄKERHETSANVISNINGAR FÖR MULTIFUNKTIONSVERKTYG

ALLMÄNT

- Den här maskinen ska inte användas av personer under 16 år
- Använd helt uttrullade och säkra förlängningssladdar med kapacitet på 16 A
- Kontrollera alltid att den tillförda strömtypen stämmer med spänningen som anges på maskinens märkplåt (maskiner med beteckningen 230V eller 240V kan även anslutas till 220V)
- Undvik skador genom att ta bort skruvar, spikar eller andra föremål ur arbetsstycket; ta dem bort innan du startar ett arbete

- **Sätt fast arbetsstycket** (ett arbetsstycke festsatt med skruvvingar eller i ett skruvståd är mera stabilt än om det hålls fast för hand)
- **Asbesthaltigt material får inte bearbetas** (asbest anses vara cancerframkallande)
- **Dra alltid ur stickkontakten från väggurtaget innan du gör någon justering eller byter tillbehör**
- Vid arbete håll alltid maskinen stadigt med båda händerna och se till att du står stadigt
- Håll alltid sladden på säkert avstånd från rörliga maskindelar; för sladden bakåt bort från maskinen
- **Använd skyddshandskar när du byter tillbehör** (kontakt med tillbehöret kan leda till skador)
- I händelse av onormala elektriska eller mekaniska störningar, stäng genast av maskinen och dra ur stickkontakten
- Skadas eller kapas nätsladden under arbetet, rör inte vid sladden utan dra genast ur stickkontakten
- Använd ej maskinen om sladden är trasig; låt den byta ut av en kvalificerad person
- När du ställer ifrån dig maskinen måste motorn vara fränslagen och de rörliga delarna ska ha stannat fullständigt
VID SÄGNING/KAPNING
- **Håll fast elverkytet vid de isolerade greppytorna när arbeten utförs på ställen där insatstillbehöret kan skada dolda elledningar eller egen nätsladd** (kontakt med en spänningsförande ledning kan sätta elverkytets metalldelar under spänning och leda till elstöt)
- **Håll händer undan från kapningsområdet**; undanhåll händer från materialets undersida vid kapning
- **Använd lämpliga detektorer för lokalisering av dolda försörjningsledningar eller konsultera lokalt distributionsföretag** (kontakt med elledningar kan förorsaka brand och elstöt; en skadad gasledning kan leda till explosion; borrhning i vattenledning kan förorsaka saksador eller elstöt)
- Använd inte en trasig, deformerad eller slö blad
VID SLIPNING
- Viss typ av damm, exempelvis färg som innehåller bly, vissa träsorter, mineraler och metaller kan vara hälsovådliga om de inhaleras (hudkontakt eller inhalering kan ge allergisk reaktion och/eller luftvägsproblem/sjukdom hos personer i närheten); **använd andningsskydd och arbeta med en dammuppsamlare om sådan anslutning finns**
- Vissa typer av damm är klassificerade så som carcinogena (t.ex. ek- och björkdamm) särskilt i kombination med tillsatser för träbehandling; **använd andningsskydd och arbeta med en dammuppsamlare om sådan anslutning finns**
- Följ de nationella krav, som finns angående damm, för de material du skall arbeta med
- **Använd endast verktyget för torrsandning** (inträngande av vatten i verktyget ökar risken för en elektrisk stöt)
- Berör inte roterande slippapper
- Förslitna, rivna eller kraftigt igensatta slippapper får ej användas
- Vid slipning av metall bildas gnistor; använd inte dammsugare och håll andra personer och antändbart material på avstånd från arbetsområdet

ANVÄNDNING

- Byte av tillbehör ⑤
 - ! **drag ur stickkontakten**
 - ta bort/montera det erforderade tillbehöret enligt bilden
 - kontrollera att tillbehörets öppningar hakar fast i verktygshuvudets tungor (alla låspositioner möjliga)
 - montera tillbehöret med den nedtryckta mittpunkten nedåt
 - lossa/dra åt skruven A med sexkantsnyckeln B
 - **kontrollera att tillbehöret sitter ordentligt** (felaktigt eller ej säkert monterade tillbehör kan lossna under användning och medföra fara)
- Montering av slippapper ⑥
 - knacka dammet från kardborrfästet på slipskivan C ② innan du fäster slippapperet
 - montera VELCRO-slippapperet enligt bilden
 - ! **dammuppsamlingen kräver perforerat slippapper**
 - ! **perforering i slippappret ska överensstämma med hålen i slipplattan**
 - ! **byt slitna slippapper i tid**
 - ! **använd maskinen alltid med hela kardborrytan täckt med slippapper**
- Damm-/spånutsugning ⑦
 - montera dammutsugningsenheten D enligt bilden
 - anslut dammsugaren
 - ! **använd inte dammutsugningsenheten/dammsugaren när du slipar metall**
 - för optimal dammuppsugning D ska dammpåsen tömmas regelbundet
- Till/från
 - starta/stäng av maskinen genom att sätta omkopplaren E ② i läget "I"/"O"
 - ! **innan tillbehöret sätts till arbetsstycket skall maskinen ha uppnått full hastighet**
 - ! **maskinen skall tas bort från arbetsstycket innan den stängs av**
- Ställa in arbetshastigheten ⑧
 - med skivan F kan den erforderade oscillerande frekvensen justeras från låg (1) till hög (6) (även när verktyget är igång)
 - bästa arbetshastighet är beroende på materialet och kan bäst avgöras genom att prova sig fram
- Fattning och styrning av maskinen
 - ! **under arbetet, håll alltid verktyget i det grå greppet** ⑨
 - håll ventilationsöppningarna G ② ej övertäckta
 - använd inte för stort tryck på verktyget (högt tryck genererar mer värme vilket förkortar livslängden på tillbehöret)
- Djupinställningstillbehör (DEPTH STOP) (ingår inte som standard) ⑩


ANVÄNDNINGSTIPS

- Använd segmentsågbladet H ② för att separera och instickssåga i trä, murbruk, gips och plast (även för att såga nära kanter, i hörn och andra svåråtkomliga områden)
- Använd instickssågbladet J ② för separering och djup instickssågning i trä, murbruk, gips och plast (även för att såga nära kanter, i hörn och andra svåråtkomliga områden)
- För fler tips se www.skil.com

UNDERHÅLL / SERVICE

- Det här verktyget är inte avsedd för yrkesmässig användning
- Håll alltid din maskin och sladden ren (speciellt ventilationsöppningarna G ②)
! drag ur stickkontakten innan rengöring
- Om i elverktyget trots exakt tillverkning och sträng kontroll störning skulle uppstå, bör reparation utföras av auktoriserad serviceverkstad för SKIL elverktyg
 - sänd in verktyget i **odemonterat skick** tillsammans med inköpsbevis till försäljaren eller till närmaste SKIL serviceverkstad (adresser till servicestationer och sprängskisser av maskiner finns på www.skil.com)

MILJÖ

- **Elektriska verktyg, tillbehör och förpackning får inte kastas i hushållsoporna** (gäller endast EU-länder)
 - enligt direktivet 2012/19/EG som avser äldre elektrisk och elektronisk utrustning och dess tillämpning enligt nationell lagstiftning ska uttjänta elektriska verktyg sorteras separat och lämnas till miljövänlig återvinning
 - symbolen  kommer att påminna om detta när det är tid att kassera

FÖRSÄKRAN OM ÖVERENSSTÄMMELSE C €

Multifunktionsverktyg 1470

Tekniska data ①

- Vi försäkras härmed under exklusivt ansvar att denna produkt som beskrivs i "Tekniska data" överensstämmer med följande normer eller normativa dokument: EN 60745, EN 61000, EN 55014, enligt bestämmelserna i direktiven 2014/30/EU, 2006/42/EG, 2011/65/EU
- **Teknisk tillverkningsdokumentation finns hos:** SKIL Europe BV (PT-SEU/ENG1), 4825 BD Breda, NL

Marijn van der Hoofden
Operations & Engineering

Olaf Dijkgraaf
Approval Manager



SKIL Europe BV, 4825 BD Breda, NL

29.07.2014

LJUD/VIBRATION

- Ljudtrycksnivån som uppmätts enligt EN 60745 är på denna maskin 92 dB(A) och ljudeffektnivån 103 dB(A) (standard deviation: 3 dB), och vibration *** m/s²** (vektorsumma i tre riktningar; onoggrannhet K = 1,5 m/s²)
 - * vid slipning 8,8 m/s²**
 - * vid kapning med instickssågblad 13,9 m/s²**
 - * vid kapning med segmentsågblad 7,2 m/s²**
- Vibrationsemissionsvärdet har uppmätts enligt ett standardiserat test i enlighet med EN 60745; detta värde kan användas för att jämföra vibrationen hos olika verktyg och som en ungefärlig uppskattning av hur stor vibration användaren utsätts för när verktyget används enligt det avsedda syftet

- om verktyget används på ett annat än det avsedda syftet eller med fel eller dåligt underhållna tillbehör kan detta drastiskt **öka** vibrationsnivån
- när verktyget stängs av eller är på men inte används, kan detta avsevärt **minska** vibrationsnivån
- ! skydda dig mot vibration genom att underhålla verktyget och dess tillbehör, hålla händerna varma och styra upp ditt arbetssätt**

DK

Multifunktionsværktøj

1470

INLEDNING

- Dette værktøj er beregnet til at save og skære i træ, plastik, puds, metal og bløde vægfliser såvel som tørre slibninger af små overflader
- Som følge af det oscillerende drev svinger tilbehøret op til 22000 gange pr. minut for 3°, hvilket gør værktøjet særligt velegnet til præcisionsarbejde på kanter samt snævre og svært tilgængelige steder
- Dette værktøj er ikke beregnet til professionelt brug
- Dette værktøj accepterer det mest almindeligt tilgængelige multiværktøjstilbehør, herunder eksisterende BOSCH OIS-tilbehør ③
- Læs og gem denne betjeningsvejledning ④

TEKNISKE DATA ①

VÆRKTØJETS DELE ②

- A** Spændeskruer med renser
- B** Sekskantnøgle
- C** Slibeklods
- D** Støvdugsugnsanordning
- E** Tænd/sluk afbryder
- F** Hjul til hastighedsvalg
- G** Ventilationshuller
- H** Segmentsavklinge
- J** Kortskåret savklinge (træ, 20 mm)
- K** Slibepapir (grovkornet)
- L** Slibepapir (finkornet)
- M** Dybdejusteringstilbehør *

* MEDFØLGER IKKE SOM STANDARD

SIKKERHED

GENERALE SIKKERHEDSINSTRUKSER

⚠ VIGTIGT! Læs alle advarselshenvisninger og instrukser. I tilfælde af manglende overholdelse af advarselshenvisningerne og instrukserne er der risiko for elektrisk stød, brand og/eller alvorlige kvæstelser. **Opbevar alle advarselshenvisninger og instrukser til senere brug.** Det i advarselshenvisningerne benyttede begreb "el værktøj" refererer til netdrevet el værktøj (med netkabel) og akkudrevet el værktøj (uden netkabel).

1) SIKKERHED PÅ ARBEJDSPLADSEN

- a) **Sørg for, at arbejdsområdet er rent og ryddeligt.**
Uorden eller uoplyste arbejdsområder øger faren for uheld.
- b) **Brug ikke maskinen i eksplosionstruede omgivelser, hvor der er brændbare væsker, gasser eller støv.**
El-værktøj kan slå gnister, der kan antænde støv eller dampe.
- c) **Sørg for, at andre personer og ikke mindst børn holdes væk fra arbejdsområdet, når maskinen er i brug.** Hvis man distraheres, kan man miste kontrollen over maskinen.

2) ELEKTRISK SIKKERHED

- a) **Maskinens stik skal passe til kontakten. Stikket må under ingen omstændigheder ændres. Brug ikke adapterstik sammen med jordforbundne maskiner.**
Uændrede stik, der passer til kontakterne, nedsætter risikoen for elektrisk stød.
- b) **Undgå kropskontakt med jordforbundne overflader som f.eks. rør, radiatorer, komfurer og køleskabe.**
Hvis din krop er jordforbundet, øges risikoen for elektrisk stød.
- c) **Maskinen må ikke udsættes for regn eller fugt.**
Indtrængning af vand i maskinen øger risikoen for elektrisk stød.
- d) **Brug ikke ledningen til formål, den ikke er beregnet til (f.eks. må man aldrig bære maskinen i ledningen, hænge maskinen op i ledningen eller rykke i ledningen for at trække stikket ud af kontakten).**
Beskyt ledningen mod varme, olie, skarpe kanter eller maskindele, der er i bevægelse. Beskadede eller indviklede ledninger øger risikoen for elektrisk stød.
- e) **Hvis maskinen benyttes i det fri, må der kun benyttes en forlængerledning, der er godkendt til udendørs brug.** Brug af forlængerledning til udendørs brug nedsætter risikoen for elektrisk stød.
- f) **Hvis det ikke kan undgås at bruge maskinen i fugtige omgivelser, skal der bruges et HFI-relæ.**
Brug af et HFI-relæ reducerer risikoen for at få elektrisk stød.

3) PERSONLIG SIKKERHED

- a) **Det er vigtigt at være opmærksom, se, hvad man laver, og bruge maskinen fornuftigt. Man bør ikke bruge maskinen, hvis man er træt, har nydt alkohol eller er påvirket af medicin eller euforiserende stoffer.** Få sekunders uopmærksomhed ved brug af maskinen kan føre til alvorlige personskader.
- b) **Brug beskyttelsesudstyr og hav altid beskyttelsesbriller på.** Brug af sikkerhedsudstyr som f.eks. støvmaske, skridsikket fodtøj, beskyttelseshjelm eller hørevern afhængig af maskintype og anvendelse nedsætter risikoen for personskader.
- c) **Undgå utilsigtet igangsætning. Kontrollér, at el værktøjet er slukket, før du tilslutter det til strømtilførslen og/eller akkuen, løfter eller bærer det.** Undgå at bære el værktøjet med fingeren på afbryderen og sørg for, at el værktøjet ikke er tændt, når det sluttes til nettet, da dette øger risikoen for personskader.
- d) **Fjern indstillingsværktøj eller skruenøgle, inden maskinen tændes.** Hvis et stykke værktøj eller en nøgle sidder i en roterende maskindel, er der risiko for personskader.

- e) **Overvurder ikke dig selv. Sørg for at stå sikkert, mens der arbejdes, og kom ikke ud af balance.** Det er derved nemmere at kontrollere maskinen, hvis der skulle opstå uventede situationer.
 - f) **Brug egnet arbejdstøj. Undgå løse beklædningsgenstande eller smykker. Hold hår, tøj og handsker væk fra dele, der bevæger sig.** Dele, der er i bevægelse, kan gribe fat i løstsiddende tøj, smykker eller langt hår.
 - g) **Hvis støvudsugnings- og opsamlingsudstyr kan monteres, er det vigtigt, at dette tilsluttes og benyttes korrekt.** Brug af en støvopsugning nedsætter risikoen for personskader som følge af støv.
- ### 4) OMHYGGELEG OMGANG MED OG BRUG AF EL-VÆRKTØJ
- a) **Undgå overbelastning af maskinen. Brug altid en maskine, der er beregnet til det stykke arbejde, der skal udføres.** Med den rigtige maskine arbejder man bedst og mest sikkert inden for det angivne effektområde.
 - b) **Brug ikke en maskine, hvis afbryder er defekt.** En maskine, der ikke kan startes og stoppes, er farlig og skal repareres.
 - c) **Træk stikket ud af stikkontakten og/eller fjern akkuen, inden maskinen indstilles, der skiftes tilbehørsdele, eller maskinen lægges fra.** Disse sikkerhedsforanstaltninger forhindrer utilsigtet start af maskinen.
 - d) **Opbevar ubenyttet el-værktøj uden for børns rækkevidde. Lad aldrig personer, der ikke er fortrolige med maskinen eller ikke har gennemlæst disse instrukser, benytte maskinen.** El-værktøj er farligt, hvis det benyttes af ukyndige personer.
 - e) **Maskinen bør vedligeholdes omhyggeligt. Kontrollér, om bevægelige dele fungerer korrekt og ikke sidder fast, og om delene er brækket eller beskadiget, således at maskinens funktion påvirkes. Få beskadigede dele repareret, inden maskinen tages i brug.** Mange uheld skyldes dårligt vedligeholdte maskiner.
 - f) **Sørg for, at skæreværktøjer er skarpe og rene.** Omhyggeligt vedligeholdte skæreværktøjer med skarpe skærekanter sætter sig ikke så hurtigt fast og er nemmere at føre.
 - g) **Brug el-værktøj, tilbehør, indsatsværktøj osv. iht. disse instrukser. Tag hensyn til arbejdsforholdene og det arbejde, der skal udføres. I tilfælde af anvendelse af værktøjet til formål, som ligger uden for det fastsatte anvendelsesområde, kan der opstå farlige situationer.**
- ### 5) SERVICE
- a) **Sørg for, at maskinen kun repareres af kvalificerede fagfolk, og at der kun benyttes originale reservedele.** Dermed sikres størst mulig maskinsikkerhed.

SIKKERHEDSINSTRUKTIONER FOR MULTIFUNKTIONSVÆRKTØJ

GENERELT

- Dette værktøj må ikke bruges af personer under 16 år
- Anvend helt udrullede og sikre forlængerledninger med en kapacitet på 16 A

- Kontrollér altid at forsyningsspændingen er den samme som den spænding, der er anført på værktøjets navneskilt (værktøj med betegnelse 230V eller 240V kan også tilsluttes til 220V)
- Undgå skader forårsaget af skruer, søm eller andre materialer i arbejdsstykket; fjern disse før De begynder at arbejde
- **Fastgør emnet** (det er sikrere at holde emner i en fastgøringsanordning eller skruestik end med hånden)
- **Bearbejd ikke asbestholdigt materiale** (asbest er kræftfremkaldende)
- **Fjern altid først stikket fra kontakten, før end De foretager nogle ændringer eller skifter tilbehør**
- Ved arbejde hav altid et solidt greb på værktøjet med begge hænder og sørg for at stå sikkert
- Hold altid ledningen væk fra værktøjets bevægelige dele; før altid ledningen bagud, væk fra værktøjet
- **Brug beskyttelseshandsker, når du skifter tilbehør** (kontakt med tilbehøret kan føre til skader)
- I tilfælde af elektrisk eller mekanisk fejlfunktion skal afbryderen straks afbrydes og stikket tages ud af kontakten
- Hvis kablet beskadiges eller skæres over under arbejdet, ikke berør kablet, og straks træk ud stikket
- Brug ikke værktøjet, hvis kablet er beskadiget; få det skiftet ud af en anerkendt fagmand
- Efter endt arbejde skal afbryderen afbrydes og alle bevægelige dele være stoppet før værktøjet sættes til side VED SAVNING/SKÆRING
- **Hold el-værktøjet i de isolerede gribeblader, når du udfører arbejde, hvor indsatsstilbehøret kan ramme bøjede strømledninger eller el-værktøjets eget kabel** (kontakt med en spændingsførende ledning kan også sætte el-værktøjets metaldele under spænding, hvilket kan føre til elektrisk stød)
- **Hold hænderne borte fra skæreamrådet**; ræk aldrig af nogen som helst grund ned under materialet, mens der skæres
- **Anvend egnede søgeinstrumenter til at finde frem til skjulte forsyningsledninger eller kontakt det lokale forsyningselskab** (kontakt med elektriske ledninger kan føre til brand og elektrisk stød; beskadigelse af en gasledning kan føre til eksplosion; brud på et vandrør kan føre til materiel skade eller elektrisk stød)
- Brug aldrig savklinger der er sløve, skæve eller på anden måde beskadigede VED SLIBNING
- Støv fra materiale som f.eks. maling, der indeholder bly, nogle træsorter, mineraler og metal kan være skadeligt (kontakt med eller indånding af støvet kan forårsage allergiske reaktioner og/eller sygdomme i luftvejene hos den, der anvender værktøjet, eller hos omkringstående); **bær en støvmaske og arbejd med en støvudsugningsanordning, hvor en sådan kan sluttes til**
- Visse slags støv er klassificeret som kræftfremkaldende (som f.eks. støv fra eg og bøg) især i forbindelse med tilsætningsstoffer til træbehandling; **bær en støvmaske og arbejd med en støvudsugningsanordning, hvor en sådan kan sluttes til**
- Følg de nationale krav, hvad angår støv, for de materialer, du ønsker at arbejde med

- **Brug kun værktøjet til tørslibning** (hvis der trænger vand ind i værktøjet øges risikoen for elektrisk stød)
- Undgå berøring med det løbende slibepapir
- Slidte, revnede eller hårdt angrebne slibepapir må ikke benyttes
- Ved slibning af metal, opstår gnister; brug ikke støvsuger og hold andre personer, såvel som brandbare materialer væk fra arbejdsstedet

BETJENING

- Udveksling af tilbehør ⑤
 - ! **træk stikket ud af kontakten**
 - fjern/montér det påkrævede tilbehør som illustreret
 - kontrollér, at tilbehørets åbninger går ned i værktøjshovedets flige (enhver mulig fastlåsningsposition)
 - montér tilbehøret med den nedtrykte midte pegende nedad
 - løsn/stram skruer A med stiftnøgle B
 - **kontrollér tilbehørets fastspændt placering** (ukorrekt tilbehør eller tilbehør, der ikke er fastspændt korrekt, kan løsne sig under betjening og udgøre en fare)
- Påsætning af slibepapir ⑥
 - bank støvet ud af VELCRO-materialet på slibeklodsens C ②, før slibepapiret monteres
 - montér VELCRO slibepapiret som vist på illustrationen
 - ! **støvopsugning kræver perforeret papir**
 - ! **perforeringen i slibepapiret skal passe til perforeringen i sålen**
 - ! **skift slibepapiret i tide**
 - ! **anvend altid værktøjet med hele VELCRO-overfladen dækket med slibepapir**
- Støv-/spåneopsugning ⑦
 - montér støvudsugningsanordningen D som illustreret
 - montér støvsugeren
 - ! **brug ikke støvudsugningsanordning/støvsuger når metal slibes**
 - rengør støvudsugningsanordningen D regelmæssigt for optimal støvopsugning
- Tænd/sluk
 - start/afbryd værktøjet ved at skubbe afbryderen E ② i "I"/"O" stilling
 - ! **lad værktøjet køre på fuld kraft før tilbehøret berører arbejdsområdet**
 - ! **før der slukkes for værktøjet, skal det løftes op fra arbejdsområdet**
- Justering af arbejdsområde ⑧
 - med hjul F kan den krævede oscillerende frekvens justeres fra lav (1) til høj (6) (også mens værktøjet kører)
 - den optimale hastighed afhænger af materialet og kan bestemmes ud fra praktiske forsøg
- Håndtering og styring af værktøjet
 - ! **under arbejde, hold altid om værktøjet på de grå markerede grebsområde(r) ⑨**
 - hold ventilationshullerne G ② utildækkede
 - anvend ikke for meget tryk på værktøjet (for stort et pres vil forårsage for kraftig varme, og det kan forkorte tilbehørets levetid)
- Dybdejusteringstilbehør (DEPTH STOP) (medfølger ikke som standard) ⑩

GODE RÅD

- Brug segmentsavklinge H ② til adskillelse og indstiksskæringer i træ, puds, gips og plastik (også til savning tæt på kanter, i hjørner og andre svært tilgængelige steder)
- Brug kortskåret savklinge J ② til adskillelse og dybe indstiksskæringer i træ, puds, gips og blødt plastik (også til savning tæt på kanter, i hjørner og andre svært tilgængelige steder)
- For flere tips se www.skil.com

VEDLIGEHOLDELSE/SERVICE

- Dette værktøj er ikke beregnet til professionelt brug
- Hold værktøjet og ledningen ren (især ventilationshullerne G ②)
! træk stikket ud før rensning
- Skulle el værktøjet trods omhyggelig fabrikation og kontrol holde op med at fungere, skal reparationen udføres af et autoriseret serviceværksted for SKIL-elektroværktøj
 - send den **uskilte** værktøjet sammen med et købsbevis til forhandleren eller nærmeste SKIL serviceværksted (adresser og reservedelstegning af værktøjet findes på www.skil.com)

MILJØ

- **Elværktøj, tilbehør og emballage må ikke bortskaffes som almindeligt affald** (kun for EU-lande)
 - i henhold til det europæiske direktiv 2012/19/EF om bortskaffelse af elektriske og elektroniske produkter og gældende national lovgivning, skal brugt elværktøj indsamles separat og bortskaffes på en måde, der skåner miljøet mest muligt
 - symbolet ① erindrer dig om dette, når udskiftning er nødvendig

OVERENSSTEMMELSESERKLÆRING CE

Multifunktionsværktøj 1470

Tekniske data ①

- Vi erklærer under almindeligt ansvar, at det produkt, der er beskrevet under "Tekniske data", er i overensstemmelse med følgende standarder eller normative dokumenter: EN 60745, EN 61000, EN 55014, i henhold til bestemmelserne i direktiverne 2014/30/EU, 2006/42/EF, 2011/65/EU
- **Teknisk dossier hos:** SKIL Europe BV (PT-SEU/ENG1), 4825 BD Breda, NL

Marijn van der Hoofden
Operations & Engineering

Olaf Dijkgraaf
Approval Manager

SKIL Europe BV, 4825 BD Breda, NL

29.07.2014

STØJ/VIBRATION

- Måles efter EN 60745 er lydtrykniveau af dette værktøj 92 dB(A) og lydeffektniveau 103 dB(A) (standard deviation: 3 dB), og vibrationsniveauet * m/s² (vektorsum for tre retninger; usikkerhed K = 1,5 m/s²)
 - * ved pudsning 8,8 m/s²
 - * ved skæring med kortskåret savklinge 13,9 m/s²
 - * ved skæring med segmentsavklinge 7,2 m/s²
 - Det vibrationsniveau er målt i henhold til den standardiserede test som anført i EN 60745; den kan benyttes til at sammenligne to stykker værktøj og som en foreløbig bedømmelse af udsættelsen for vibrationer, når værktøjet anvendes til de nævnte formål
 - anvendes værktøjet til andre formål eller med andet eller dårligt vedligeholdt tilbehør, kan dette **øge** udsættelsesniveauet betydeligt
 - de tidsrum, hvor værktøjet er slukket, eller hvor det kører uden reelt at udføre noget arbejde, kan **reducere** udsættelsesniveauet betydeligt
- ! beskyt dig selv imod virkningerne af vibrationer ved at vedligeholde værktøjet og dets tilbehør, ved at holde dine hænder varme og ved at organisere dine arbejdsmønstre**

N

Flerfunktionsværktøj

1470

INTRODUKSJON

- Dette verktøyet er beregnet på å sage og kutte tre, plast, gips og myke veggfliser så vel som for pussing av mindre flater
- På grunn av svingdrevet, svinger tilbehøret opptil 22000 ganger i minutte i 3 min., som gjør verktøyet spesielt godt egnet for nøyaktig arbeid på kantete, smale og andre vanskelige tilgjengelige steder
- Dette verktøyet er ikke beregnet på profesjonell bruk
- Dette verktøyet tar de vanligste multi-verktøytilbehør, inkludert eksisterende BOSCH OIS-tilbehør ③
- Les og ta vare på denne brukerveiledningen ④

TEKNISKE DATA ①

VERKTØYELEMENTER ②

- A** Klemskruer med mutter
- B** Sekskantnøkkel
- C** Slipepute
- D** Støvtuttrekingsenhet
- E** Av/på bryter
- F** Hjul til hastighetsvalg
- G** Ventilasjonsåpninger
- H** Segmentsagblad
- J** Spalteknutt-sagblad (tre, 20 mm)
- K** Pussepapir (grovt)
- L** Pussepapir (fint)
- M** Dybdejusteringstilbehør *

* IKKE INKLUDERT SOM STANDARD

SIKKERHET

GENERELLE SIKKERHETSANVISNINGER

⚠️ OBS! Les gjennom alle advarslene og anvisningene.

Feil ved overholdelsen av advarslene og nedenstående anvisninger kan medføre elektriske støt, brann og/eller alvorlige skader. **Ta godt vare på alle advarslene og informasjonene.** Det nedenstående anvendte uttrykket "elektroverktøy" gjelder for strømdrevne elektroverktøy (med ledning) og batteridrevne elektroverktøy (uten ledning).

1) SIKKERHET PÅ ARBEIDSPLASSEN

- a) **Hold arbeidsområdet rent og ryddig.** Rotete arbeidsområder eller arbeidsområder uten lys kan føre til ulykker.
- b) **Ikke arbeid med maskinen i eksplosjonsutsatte omgivelser – der det befinner seg brennbare væsker, gass eller støv.** Elektroverktøy lager gnister som kan antenne støv eller damper.
- c) **Hold barn og andre personer unna når elektroverktøyet brukes.** Hvis du blir forstyrret under arbeidet, kan du miste kontrollen over maskinen.

2) ELEKTRISK SIKKERHET

- a) **Støpselet til maskinen må passe inn i stikkkontakten. Støpselet må ikke forandres på noen som helst måte. Ikke bruk adapterstøpsler sammen med jordele maskiner.** Bruk av støpsler som ikke er forandret på og passende stikkontakter reduserer risikoen for elektriske støt.
- b) **Unngå kroppskontakt med jordede overflater slik som rør, ovner, komfyrer og kjøleskap.** Det er større fare ved elektriske støt hvis kroppen din er jordet.
- c) **Hold maskinen unna regn eller fuktighet.** Dersom det kommer vann i et elektroverktøy, øker risikoen for elektriske støt.
- d) **Ikke bruk ledningen til andre formål, f.eks. til å bære maskinen, henge den opp eller trekke den ut av stikkkontakten. Hold ledningen unna varme, olje, skarpe kanter eller maskindeler som beveger seg.** Med skadede eller opphopede ledninger øker risikoen for elektriske støt.
- e) **Når du arbeider utendørs med et elektroverktøy, må du kun bruke en skjøteledning som er godkjent til utendørs bruk.** Når du bruker en skjøteledning som er egnet for utendørs bruk, reduseres risikoen for elektriske støt.
- f) **Hvis det ikke kan unngås å bruke elektroverktøyet i fuktige omgivelser, må du bruke en jordfeilbryter.** Bruk av en jordfeilbryter reduserer risikoen for elektriske støt.

3) PERSONSIKKERHET

- a) **Vær oppmerksom, pass på hva du gjør, gå fornuftig frem når du arbeider med et elektroverktøy. Ikke bruk maskinen når du er trett eller er påvirket av narkotika, alkohol eller medikamenter.** Et øyeblikks uoppmerksomhet ved bruk av maskinen kan føre til alvorlige skader.
- b) **Bruk personlig verneutstyr og husk alltid å bruke vernebriller.** Bruk av personlig sikkerhetsutstyr som støvmaske, skilfaste arbeidssko, hjelm eller hørselvern – avhengig av type og bruk av elektroverktøyet – reduserer risikoen for skader.

- c) **Unngå å starte verktøyet ved en feiltagelse. Forviss deg om at elektroverktøyet er slått av før du kobler det til strømmen og/eller batteriet, løfter det opp eller bærer det.** Hvis du holder fingeren på bryteren når du bærer elektroverktøyet eller kobler elektroverktøyet til strømmen i innkoblet tilstand, kan dette føre til uhell.
- d) **Fjern innstillingsverktøy eller skrunøkler før du slår på elektroverktøyet.** Et verktøy eller en nøkkel som befinner seg i en roterende maskindel, kan føre til skader.
- e) **Ikke overvurder deg selv. Sørg for å stå stødig og i balanse.** Dermed kan du kontrollere maskinen bedre i uventede situasjoner.
- f) **Bruk alltid egnede klær. Ikke bruk vide klær eller smykker. Hold hår, tøy og hansker unna deler som beveger seg.** Løst sittende tøy, smykker eller langt hår kan komme inn i deler som beveger seg.
- g) **Hvis det kan monteres støvavsug- og oppsamlingsinnretninger, må du forvise deg om at disse er tilkoblet og brukes på korrekt måte.** Bruk av et støvavsug reduserer faren på grunn av støv.

4) AKTSOM HÅNDTERING OG BRUK AV ELEKTROVERKTØY

- a) **Ikke overbelast maskinen. Bruk et elektroverktøy som er beregnet til den type arbeid du vil utføre.** Med et passende elektroverktøy arbeider du bedre og sikrere i det angitte effektområdet.
 - b) **Ikke bruk elektroverktøy med defekt på-/avbryter.** Et elektroverktøy som ikke lenger kan slås av eller på, er farlig og må repareres.
 - c) **Trekke støpselet ut av stikkkontakten og/eller fjern batteriet før du utfører innstillinger på elektroverktøyet, skifter tilbehørsdeler eller legger maskinen bort.** Disse tiltakene forhindrer en utilsiktet startung av maskinen.
 - d) **Elektroverktøy som ikke er i bruk må oppbevares utilgjengelig for barn. Ikke la maskinen brukes av personer som ikke er fortrolig med dette eller ikke har lest disse anvisningene.** Elektroverktøy er farlige når de brukes av uerfarne personer.
 - e) **Vær nøye med vedlikeholdet av maskinen. Kontroller om bevegelige maskindeler fungerer feilfritt og ikke klemmes fast, og om deler er brukket eller skadet, slik at dette innvirker på maskinens funksjon. La skadede deler repareres før maskinen brukes.** Dårlig vedlikeholdte elektroverktøy er årsaken til mange uhell.
 - f) **Hold skjæreverktøyene skarpe og rene.** Godt stelte skjæreverktøy med skarpe skjær setter seg ikke så ofte fast og er lettere å føre.
 - g) **Bruk elektroverktøy, tilbehør, verktøy osv. i henhold til disse anvisningene. Ta hensyn til arbeidsforholdene og arbeidet som skal utføres.** Bruk av elektroverktøy til andre formål enn det som er angitt kan føre til farlige situasjoner.
- ### 5) SERVICE
- a) **Maskinen din skal alltid kun repareres av kvalifisert fagpersonale og kun med originale reservedeler.** Slik opprettholdes maskinens sikkerhet.

SIKKERHETSINSTRUKSJONER FOR UNIVERSALVERKTØY

GENERELL

- Verktøyet må ikke brukes av personer under 16 år
- Bruk helt utrullet og sikker skjoteledning med en kapasitet på 16 A
- Sjekk alltid at tilført spenningen er den samme som oppgitt på verktøyets merkeplate (verktøy som er betegnet med 230V eller 240V kan også koples til et 220V strømuttak)
- Ungå skade p.g.a. skruer, spiker eller andre elementer i arbeidsstykket; fjernes før man starter jobben
- **Sett fast arbeidsstykket** (et arbeidsstykke som er sikret med klemmer, sitter sikrere enn om det holdes fast for hånd)
- **Ikke bearbeid asbestholdig material** (asbest kan fremkalle kreft)
- **Ta alltid ut kontakten før du forandrer innstillinger på sagen eller skifter tilbehør**
- Under arbeid hold alltid verktøyet fast med begge hender og pass på å stå stødig
- Hold alltid kablen borte fra bevegelige deler på verktøyet; før kablen bakover bort fra verktøyet
- **Bruk vernehansker når du skifter tilbehør** (kontakt med tilbehøret kan føre til skader)
- I tilfelle en elektrisk eller mekanisk svikt, skal verktøyet med en gang slås av og støpslet trekkes ut
- Hvis kablen skades eller kappes under arbeid må kablen ikke berøres, men støpselet straks trekkes ut
- Bruk ikke verktøyet dersom kabel er skadet; i den skiftet ud af en anerkendt fagmand
- Når du setter bort verktøyet må bryteren slås av, bevegelige deler må være helt stoppet
- **NÅR DU SAGER/KUTTER**
- **Hold elektroverktøyet på de isolerte gripeflatene, hvis du utfører arbeid der innsatttilbehøret kan treffe på skjulte strømledninger eller den egne strømledningen** (kontakt med en spenningsførende ledning kan også sette elektroverktøyets metalldeleer under spenning og føre til elektriske støt)
- **Hold hendene unna sagområdet**; du må aldri ha hendene under materialet når du kutter
- **Bruk egne detektorer til å finne skjulte strøm-/gass-/vannledninger, eller spør hos det lokale el-/gass-/vannverket** (kontakt med elektriske ledninger kan medføre brann og elektrisk støt; skader på en gassledning kan føre til eksplosjon; inntrenging i en vannledning forårsaker materielle skader og kan medføre elektriske støt)
- Bruk aldri skjævt, deformert eller sløvt sagblad
- **NÅR DU PUSSE**
- Støv fra materialer som blyholdig maling, visse tresorter, mineraler og metall kan være skadelig (kontakt med eller inhalering av støv kan gi allergiske reaksjoner og/eller sykdommer i åndedretsorganene for brukeren eller personer i nærheten); **bruk støvmaske og arbeid med støvfjerningsutstyr når det er mulig**
- Visse typer støv er klassifisert som kreftfremkallende (som f.eks. støv fra eik og bok), spesielt sammen med tilsetningsstoffer for trebehandling; **bruk støvmaske og arbeid med støvfjerningsutstyr når det er mulig**

- Følg de nasjonale krav, når det gjelder støv for de materialer du ønsker å arbeide med
- **Bruk verktøyet bare for tørrsliping** (når vannet trenges inn i verktøyet, økes risikoen for elektrisk støt)
- Ikke berør slipepapiret når det er igang
- Slitte, revnede eller svært belastede slipepapir må ikke brukes videre
- Ved sliping av metall vil det gnistre; bruk ikke støvsuger og hold andre personer og brennbar materiale unna arbeidsområdet

BRUK

- Bytting av tilbehør ⑤
 - ! **trekk ut støpselet av stikkkontakten**
 - fjern/monter det nødvendige tilbehøret som vist
 - pass på at åpningene i tilbehøret kobles inn i klaffene på verktøyhodet (alle klikk-inn-posisjoner mulig)
 - monter tilbehøret med midtpunktet som er trykt inn, vendt nedover
 - løsne/fest skruen A med sekskantnøkkelen B
 - **sjekk at tilbehøret sitter godt** (tilbehør som er feil eller ikke godt nok festet, kan løsne under bruk og føre til fare)
- Montering av slipepapir ⑥
 - bank støvet ut av BORRELÅS-materialet på slipeputen C ② før du monterer slipeputen
 - monter VELCRO (borrelås) slipepapir som vist
 - ! **støvuvsuget krever perforert slipepapir**
 - ! **perforeringen i slipepapiret må passe til slipesålen**
 - ! **bytt brukte slipepapir i tide**
 - ! **bruk alltid verktøyet med hele BORRELÅS-flaten tildekket med slipepapir**
- Støv-/sponavsug ⑦
 - monter støvfjerningsutstyret D som vist
 - tilkople støvsugeren
 - ! **ikke bruk støvfjerningsutstyret/støvsugeren når du pusser metall**
 - rengjør støvfjerningsutstyret D med jevne mellomrom for optimal støvfjerning
- Av/på
 - slå verktøyet på/av ved å skyve bryteren E ② i stilling "I"/"O"
 - ! **før tilbehøret kommer i kontakt med arbeidsstykket, må verktøyet ha nådd max. hastighet**
 - ! **før verktøyet slås av, løft det bort fra arbeidsstykket**
- Justere driftshastigheten ⑧
 - med hjul F kan den nødvendige svingningsfrekvensen justeres fra lavt (1) til høyt (6) (også når verktøyet er i drift)
 - den optimale arbeidshastigheten avhenger av materialet, og kan bestemmes gjennom praktiske forsøk
- Grep og styring av verktøyet
 - ! **under arbeid, hold verktøyet alltid i grått(gråe) grepsområde(r) ⑨**
 - hold ventilasjonsåpningen G ② utildekket
 - ikke utsett verktøyet for for stort trykk (for stort trykk vil føre til sterk varme og kan gjøre levetiden kortere på tilbehøret)

- Dybdejusteringstilbehør (DEPTH STOP) (ikke inkludert som standard) ⑩

BRUKER TIPS

- Bruk segmentsagbladet H ② for å separere og lage spalteutt i tre, gips og plast (også for å sage tett inntil kanter, i hjørner og andre vanskelig tilgjengelige steder)
- Bruk spalteutt-sagblad J ② for å separere og lage dype spalteutt i tre, gips og myk plast (også for å sage tett inntil kanter, i hjørner og andre vanskelig tilgjengelige steder)
- Se flere tips på www.skil.com

VEDLIKEHOLD / SERVICE

- Dette verktøyet er ikke beregnet på profesjonell bruk
- Hold alltid verktøyet og kabelen ren (spesielt ventilasjonshullene G ②)
- ! **dra ut støpselet for rengjøring**
- Hvis elektroverktøyet til tross for omhyggelige produksjons- og kontrollmetoder en gang skulle svikte, må reparasjonen utføres av et autorisert serviceverksted for SKIL-elektroverktøy
 - send verktøyet i **montert** tilstand sammen med kjøpebevis til forhandleren eller nærmeste SKIL servicesenter (adresser liksom service diagram av verktøyet finner du på www.skil.com)

MILJØ

- **Kast aldri elektroverktøy, tilbehør og emballasje i husholdningsavfallet** (kun for EU-land)
 - i henhold til EU-direktiv 2012/19/EF om kasserte elektriske og elektroniske produkter og direktivets iverksetting i nasjonal rett, må elektroverktøy som ikke lenger skal brukes, samles separat og returneres til et miljøvennlig gjenvinningsanlegg
 - symbolet ⑪ er påtrykt som en påminnelse når utskiftning er nødvendig

SAMSVARERKLÆRING CE

Flerfunksjonsverktøy 1470

Tekniske data ①

- Vi erklærer som eneansvarlig at produktet som beskrives under "Tekniske data" stemmer overens med følgende normer eller normative dokumenter: EN 60745, EN 61000, EN 55014, jf. bestemmelsene i direktivene 2014/30/EU, 2006/42/EF, 2011/65/EU
- **Tekniske underlag hos:** SKIL Europe BV (PT-SEU/EN G1), 4825 BD Breda, NL

Marijn van der Hoofden
Operations & Engineering

Olaf Dijkgraaf
Approval Manager

SKIL Europe BV, 4825 BD Breda, NL

29.07.2014

STØY/VIBRASJON

- Målt ifølge EN 60745 er lydtrykknivået av dette verktøyet 92 dB(A) og lydstyrkenivået 103 dB(A) (standard deviasjon: 3 dB), og vibrasjonsnivået * m/s² (vektorsum fra tre retninger; usikkerhet K = 1,5 m/s²)
 - * ved pussing 8,8 m/s²
 - * ved kutting med spalteutt-sagblad 13,9 m/s²
 - * ved kutting med segment-sagblad 7,2 m/s²
- Det avgitte vibrasjonsnivået er blitt målt i samsvar med en standardisert test som er angitt i EN 60745; den kan brukes til å sammenligne et verktøy med et annet, og som et foreløpig overslag over eksponering for vibrasjoner ved bruk av verktøyet til de oppgavene som er nevnt
 - bruk av verktøyet til andre oppgaver, eller med annet eller mangelfullt vedlikeholdt utstyr, kan gi en vesentlig **økning** av eksponeringsnivået
 - tidsrommene når verktøyet er avslått eller når det går men ikke arbeider, kan gi en vesentlig **reduksjon** av eksponeringsnivået
- ! **beskytt deg selv mot virkningene av vibrasjoner ved å vedlikeholde verktøyet og utstyret, holde hendene varme og organisere arbeidsmåten din**

FIN

Monitoimityökalu

1470

ESITTELY

- Tämä työkalu on tarkoitettu puun, muovin, laastin, metallien ja pehmeiden seinätilien sahaamiseen ja leikkaamiseen sekä pienten pintojen kuivahiontaan
- Värähtelevän käytön vuoksi lisävaruste heilahtelee jopa 22000 kertaa minuutissa 3°, mikä tekee työkalusta erityisen sopivan tarkkaan työskentelyyn särmikkäissä, ahtaissa ja muissa vaikeapääsyisissä paikoissa
- Tätä työkalua ei ole tarkoitettu ammattikäyttöön
- Tämä työkalu on yhteensopiva useimpien yleisesti saatavilla olevien monitoimityökaluille suunniteltujen lisävarusteiden kanssa, mukaan lukien nykyiset BOSCH OIS-lisävarusteet ③
- Lue ja säilytä tämä ohjekirja ④

TEKNISET TIEDOT ①

LAITTEEN OSAT ②

- A Kiristysruuvi aluslevyllä
- B Kuusiokoloavain
- C Hiomalaippa
- D Pölynpoistolaitte
- E Virtakytkin
- F Nopeudensäätöpyörä
- G Ilmanvaihto-aukot
- H Segmenttisahanterä
- J Pistosahanterä (puulle, 20 mm)
- K Hiomapaperi (karkea)
- L Hiomapaperi (hieno)
- M Syyvyssäätöisäälaitte *

* EI SISÄLLY VAKIONA

TURVALLISUUS

YLEISET TURVALLISUUSOHJEET

HUOMIO! Lue kaikki turvallisuus- ja muut ohjeet. Turvallisuusohjeiden noudattamisen laiminlyönti saattaa johtaa sähköiskun, tulipaloon ja/tai vakavaan loukkaantumiseen. **Säilytä kaikki turvallisuus- ja muut ohjeet tulevaisuutta varten.** Turvallisuusohjeissa käytetty käsite "sähkötyökalu" käsittää verkkokäyttöisiä sähkötyökaluja (verkkojohdolla) ja akkukäyttöisiä sähkötyökaluja (ilman verkkajohtoa).

1) TYÖPAIKAN TURVALLISUUS

- Pidä työskentelyalue puhtaana ja hyvin valaistuna.** Työpaikan epäjärjestys tai valaisemattomat työalueet voivat johtaa tapaturmiin.
- Älä työskentele sähkötyökalulla räjähdysalttiissa ympäristössä, jossa on palavaa nestettä, kaasua tai pölyä.** Sähkötyökalu muodostaa kipinöitä, jotka saattavat sytyttää pölyn tai höyryt.
- Pidä lapset ja sivulliset loitolla sähkötyökalua käyttäessäsi.** Voit menettää laitteesi hallinnan, huomioisi suuntautuessa muualle.

2) SÄHKÖTURVALLISUUS

- Sähkötyökalun pistotulpan tulee sopia pistorasiaan.** Pistotulppaa ei saa muuttaa millään tavalla. Älä käytä mitään pistorasia-adaptoreita maadoitettujen sähkötyökalujen kanssa. Alkuperäisessä kunnossa olevat pistotulpat ja sopivat pistorasiat vähentävät sähköiskun vaaraa.
- Vältä koskettamasta maadoitettuja pintoja, kuten putkia, pattereita, liesiä tai jääkaappeja.** Sähköiskun vaara kasvaa, jos kehosi on maadoitettu.
- Älä aseta sähkötyökalua alttiiksi satelle tai kosteudelle.** Veden tunkeutuminen sähkötyökalun sisään kasvattaa sähköiskun riskiä.
- Älä käytä verkkojohtoa väärin. Älä käytä sitä sähkötyökalun kantamiseen, vetämiseen tai pistotulpan irrottamiseen pistorasiasta. Pidä johto loitolla kuumuudesta, öljystä, terävistä reunoista ja liikkuvista osista.** Vahingoittuneet tai sotkeutuneet johdot kasvattavat sähköiskun vaaraa.
- Käyttäessäsi sähkötyökalua ulkona, käytä ainoastaan ulkokäyttöön soveltuvaa jatkojohtoa.** Ulkokäyttöön soveltuvan jatkojohdon käyttö pienentää sähköiskun vaaraa.
- Jos sähkötyökalun käyttö kosteassa ympäristössä ei ole välttämävissä, tulee käyttää maavuotokatkaisijaa.** Maavuotokatkaisijan käyttö vähentää sähköiskun vaaraa.

3) HENKILÖTURVALLISUUS

- Ole valpas, kiinnitä huomiota työskentelyysi ja noudata tervettä järkeä sähkötyökalua käyttäessäsi. Älä käytä sähkötyökalua, jos olet väsynyt tai huumeiden, alkoholin tahi lääkkeiden vaikutuksen alaisena.** Hetken tarkkaamattomuus sähkötyökalua käytettäessä, saattaa johtaa vakavaan loukkaantumiseen.
- Käytä suojavarusteita. Käytä aina suojalaseja.** Henkilökohtaisen suojavarustuksen käyttö, kuten pölynaamarin, luistamattomien turvakengien, suojakypärän tai kuulonsuojaimien, riippuen

sähkötyökalun lajista ja käyttötavasta, vähentää loukkaantumisriskiä.

- Vältä tahatonta käynnistämistä. Varmista, että sähkötyökalu on poiskytkettyä, ennen kuin liität sen sähköverkkoon ja/tai liität akun, otat sen käteen tai kannat sitä.** Jos kannat sähkötyökalua sormi käynnistyskytkimellä tai kytket sähkötyökalun pistotulpan pistorasiaan, käynnistyskytkimen ollessa käyntiasennossa, altistat itsesi onnettomuuksille.
 - Poista kaikki säätötyökalut ja ruuvitaltat, ennen kuin käynnistät sähkötyökalun.** Työkalu tai avain, joka sijaitsee laitteen pyörivässä osassa, saattaa johtaa loukkaantumiseen.
 - Älä yliarvioid itseäsi. Huolehdi aina tukevasta seisoma-asennosta ja tasapainosta.** Täten voit paremmin hallita sähkötyökalua odottamattomissa tilanteissa.
 - Käytä tarkoitukseen soveltuvia vaatteita. Älä käytä löysiä työvaatteita tai koruja. Pidä hiukset, vaatteet ja käsineet loitolla liikkuvista osista.** Väljät vaatteet, korut ja pitkät hiukset voivat takertua liikkuviin osiin.
 - Jos pölynimu- ja keräilylaitteita voidaan asentaa, tulee sinun tarkistaa, että ne on liitetty ja että ne käytetään oikealla tavalla.** Pölynimulaitteiston käyttö vähentää pölyn aiheuttamia vaaroja.
- ### 4) SÄHKÖTYÖKALUJEN KÄYTTÖ JA HOITO
- Älä ylikuormita laitetta. Käytä kyseiseen työhön tarkoitettua sähkötyökalua.** Sopivaa sähkötyökalua käyttäen työskentelet paremmin ja varmemmin tehoalueella, jolle sähkötyökalu on tarkoitettu.
 - Älä käytä sähkötyökalua, jota ei voida käynnistää ja pysäyttää käynnistyskytkimestä.** Sähkötyökalu, jota ei enää voida käynnistää ja pysäyttää käynnistyskytkimellä, on vaarallinen ja se täytyy korjata.
 - Irrota pistotulppa pistorasiasta, ennen kuin suoritat säätöjä, vaihdat tarvikkeita tai siirrä sähkötyökalun varastoitavaksi.** Nämä turvatoimenpiteet pienentävät sähkötyökalun tahattoman käynnistysriskin.
 - Säilytä sähkötyökalut poissa lasten ulottuvilta, kun niitä ei käytetä. Älä anna sellaisten henkilöiden käyttää sähkötyökalua, jotka eivät tunne sitä tai jotka eivät ole lukeneet tätä käyttöohjetta.** Sähkötyökalut ovat vaarallisia, jos niitä käyttävät kokemattomat henkilöt.
 - Hoida sähkötyökalusi huolella. Tarkista, että liikkuvat osat toimivat moitteettomasti, eivätkä ole puristuksessa sekä, että siinä ei ole murtuneita tai vahingoittuneita osia, jotka saattaisivat vaikuttaa haitallisesti sähkötyökalun toimintaan. Anna korjauttaa mahdolliset viat ennen käyttöönottoa.** Monen tapaturman syyt löytyvät huonosti huolletuista laitteista.
 - Pidä leikkausterät terävinä ja puhtaina.** Huolellisesti hoidetut leikkausterät, joiden leikkausreunat ovat teräviä, eivät tartu helposti kiinni ja niitä on helpompi hallita.
 - Käytä sähkötyökaluja, tarvikkeita, vaihtotyökaluja jne. näiden ohjeiden mukaisesti. Ota tällöin huomioon työolosuhteet ja suoritettava toimenpide.** Sähkötyökalun käyttö muuhun kuin sille määrättyyn käyttöön, saattaa johtaa vaarallisiin tilanteisiin.

5) HUOLTO

- a) **Anna koulutettujen ammattihenkilöiden korjata sähkötyökalusi ja hyväksy korjauksiin vain alkuperäisiä varaosia.** Täten varmistat, että sähkötyökalu säilyy turvallisena.

TURVAOHJEET MONITOIMITYÖKALUILLE

YLEISTÄ

- Tätä työkalua saavat käyttää vain 16 vuotta täyttäneet henkilöt
- Käytä täysin rullaamattomia ja turvallisia jatkejohtoja, joiden kapasiteetti on 16 ampeeria
- Tarkista aina, että syöttöjännite on sama kuin työkalun nimiltaan osoittama jännite (työkalut, joiden jännitetaso on 230V tai 240V, voidaan kytkeä myös 220V tason jännitteeseen)
- Vältä vaaralliset vahingot, jotka voivat aiheutua nauloista, ruuveista tai muista aineista työstettävässä materiaalissa; poista ne ennen työskentelyn aloittamista
- Kiinnitä työstettävä kappale** (kiinnittimeen tai puristimeen kiinnitetty työstettävä kappale pysyy tukevammin paikallaan kuin käsin pidettäessä)
- Älä koskaan työstä asbestipitoista ainetta** (asbestia pidetään karsinogeenisena)
- Irrota aina pistotulppa pistorasiasta, ennen kuin suoritat laitteelle mitään säätöjä tai vaihdat tarviketta**
- Pidä käytössä laitteesta tukevasti kiinni molemmilla käsillä ja asetaudu tukevaan asentoon
- Pidä johto aina poissa työkalun liikkuvien osien läheisyydestä; kohdistu johto takaosaa kohti pois työkalusta
- Käytä suojakäsineitä varusteita vaihtaessasi** (varusteeseen koskettamisesta voi seurata loukkaantumisia)
- Jos huomaat sähköisen tai mekaanisen vian, sammuta kone heti ja irrota liitosjohto pistorasiasta
- Jos sähköjohto vahingoittuu tai katkeaa työn aikana ei johtoa saa koskettaa, vaan pistotulppa on välittömästi irrotettava pistorasiasta
- Älä käytä työkalua, kun johto on vioittunut; vaan toimita se valtuutettuun huoltoliikkeeseen
- Kun panet koneen pois, sammuta moottori ja varmista, että kaikki liikkuvat osat ovat pysähtyneet KUN SAHAAT/LEIKKAAT
- Tartu sähkötyökaluun ainoastaan eristetyistä pinnoista, tehdessäsi työtä, jossa vaihtotyökalu saattaisi osua piilossa olevaan sähköjohtoon tai sähkötyökalun omaan sähköjohtoon** (kosketus jännitteeseen johtoon voi saattaa sähkötyökalun metalliosat jännitteisiksi ja johtaa sähköiskuun)
- Pidä kädet poissa leikkuualueelta;** älä koskaan kurkota leikkaatessa mistään syystä materiaalin alapuolelle
- Käytä sopivia etsintälaitteita piilossa olevien syöttöjohtojen paikallistamiseksi, tai käänny paikallisen jakeluyltiön puoleen** (kosketus sähköjohtoon saattaa johtaa tulipaloon ja sähköiskuun; kaasuputken vahingoittaminen saattaa johtaa räjähdykseen; vesijohtoon tunkeutuminen aiheuttaa aineellista vahinkoa tai saattaa johtaa sähköiskuun)
- Älä käytä rikkinaistä, tylsää tai vääntynyttä sahanterää KUN HIOT
- Materiaaleista, kuten lyijypitoinen maali, jotkut puulajit, mineraalit ja metalli, tuleva pöly voi olla vahingollista

- (kosketuksiin joutuminen pölyn kanssa tai sen sisään hengittäminen voi aiheuttaa käyttäjälle tai sivustakatsojille allergiareaktioita ja/tai hengitysvairoja); **käytä polynaamarua ja työskentele pölynpoistolaitteen kanssa, kun sellainen on liitettävissä**
- Tietyntyyppiset pölyt on luokiteltu karsinogeenisiksi (kuten tammi- ja pyökkipöly) erityisesti puun käsittelyyn käytettävien lisäainesten yhteydessä; **käytä polynaamarua ja työskentele pölynpoistolaitteen kanssa, kun sellainen on liitettävissä**
 - Noudata maakohtaisia pölyyn liittyviä sääntöjä
 - Käytä työkalua vain kuivahiontaan** (veden pääsy työkalun sisään kasvattaa sähköiskuriskiä)
 - Älä kosketa liikkuvaa hiomapaperiin
 - Älä jatka kuluneiden, repeytyneiden tai voimakkaasti tukkeutuneiden paperin käyttämistä
 - Metallia hiottaessa syntyy kipinöitä; älä käytä pölynimuria ja huolehdi siitä, ettei lähellä ole muita henkilöitä eikä tulenarkoja materiaaleja

KÄYTTÖ

- Tarvikkeiden vaihtaminen ⑤
 - ! vedä pistoke pistorasiasta**
 - irrota/asenna tarvittava lisävaruste kuten kuvassa
 - varmista, että lisävarusteen aukot kiinnittyvät työkalun päässä oleviin kohoumiin (ne voi kiinnittää mihin asentoon tahansa)
 - kiinnitä lisävaruste siten, että alas painettu keskikohta osoittaa alaspäin
 - kierrä ruuvi auki/kiinni A kuusiokoloavaimella B
 - **varmista, että lisävaruste on tiukasti paikallaan** (väärin tai puutteellisesti kiinnitetty lisävarusteet voivat löystyä käytön aikana ja aiheuttaa vaaratilanteen)
- Hiomapaperin kiinnittäminen ⑥
 - kopauta pöly pois hiomalaipan tarraosasta C ② ennen hiomapaperin asentamista
 - kiinnitä VELCRO-hiomapaperi kuvatulla tavalla
 - ! plynimu-vaatii rei'itetyn paperin-käyttöä**
 - ! hiomapaperin rei'ityksen tulee vastata hiomatason rei'itystä**
 - ! vaihda hiomapaperi uuteen ajoissa**
 - ! käytä työkalua aina niin, että koko tarrapinta on peitetty hiomapaperilla**
- Pölyn-/lastunimu ⑦
 - asenna pölynpoistolaitte D kuten kuvassa
 - liitä pölynimuri
 - ! älä käytä pölynpoistolaitetta/pölynimuria metalliionnassa**
 - puhdistu pölynpoistolaite D ajoissa parhaan mahdollisen imun saavuttamiseksi
- Käynnistyksen/pysäytys
 - käynnistä tai sammuta kone painamalla kytkin E ② asentoon "I"/"O"
 - ! koneen tulee pyöriä täydellä nopeudella ennen kuin tarvike koskettaa työkaluun**
 - ! ennen koneen sammuttamista se tulee nostaa irti työkaluun**
- Työskentelynopeuden säätäminen ⑧
 - käytettäessä laikkaa F tarvittavan värähtelytaajuuden voi säätää pienestä (1) suureen (6) (myös työkalun ollessa käynnissä)

- paras työskentelynopeus riippuu materiaalista ja se voidaan määrittää käytännön kokeilla
- Koneen pitäminen ja ohjaaminen
- ! **pidä työkalusta kiinni aina työskentelyn aikana harmaan värisestä kädensija(oista) ⑨**
- pidä ilmanvaihto-aukkoja G ② peittämättöminä
- älä kohdistaa työkaluun liikaa painetta (liiallinen paine aiheuttaa liiallista kuumenemista ja voi lyhentää lisävarusteen käyttöikä)
- Syvyysäättöisälaite (DEPTH STOP) (ei sisällä toimitukseen) ⑩

VINKKEJÄ

- Käytä segmenttisahanterää H ② sahausten erotteluun ja upottamiseen puuhun, laastiin, kipsiin ja muoviin (myös sahattaessa reunojen lähellä), kulmissa ja muilla vaikeapääsyisillä alueilla)
- Käytä pistosahanterää J ② erotteluun ja syviin pistosahauksiin puussa, laastissa, kipsissä ja pehmeässä muovissa (myös sahattaessa reunojen lähellä, kulmissa ja muilla vaikeapääsyisillä alueilla)
- Lisävinkkejä on tarjolla web-osoitteessa www.skil.com

HOITO / HUOLTO

- Tätä työkalua ei ole tarkoitettu ammattikäyttöön
- Pidä työkalu ja johto puhtaina (varmista erityisesti ilma-aukkojen puhtaus G ②)
- ! **irrota liitosjohto aina puhdistuksen ajaksi pistorasiasista**
- Jos sähkötyökalussa, huolellisesta valmistuksesta ja koestusmenettelystä huolimatta esiintyy vikaa, tulee korjaus antaa SKIL sopimushuollon tehtäväksi
 - toimita työkalu sitä osiin **purkamatta** lähimpään SKIL-huoltoon (osoitteet ja työkalun huoltokaava ovat tarjolla web-osoitteessa www.skil.com) ostotodiste mukaan liitettynä

YMPÄRISTÖNSUOJELU

- **Älä hävitä sähkötyökalua, tarvikkeita tai pakkausta tavallisen kotitalousjätteen mukana** (koskee vain EU-maita)
 - vanhoja sähkö- ja elektroniikkalaitteita koskevan EU-direktiivin 2012/19/ETY ja sen maakohtaisten sovellusten mukaisesti käytetyt sähkötyökalut on toimitettava ongelmajätteen keräyspisteeseen ja ohjattava ympäristöstävälliseen kierrätykseen
 - symboli ⑪ muistuttaa tästä, kun käytöstä poisto tulee ajankohtaiseksi

VAATIMUSTEN- MUKAISUUSVAKUUTUS CE

Monitoimityökalu 1470

Tekniset tiedot ①

- Vakuutamme yksin vastaavamme siitä, että kohdassa "Tekniset tiedot" selostettu tuote vastaa seuraavia standardeja tai standardoituja asiakirjoja: EN 60745, EN 61000, EN 55014 direktiivien 2014/30/EU, 2006/42/EY, 2011/65/EU määräysten mukaan

- **Tekninen tiedosto kohdasta:** SKIL Europe BV (PT-SEU/ENG1), 4825 BD Breda, NL

Marijn van der Hoofden Olaf Dijkgraaf
Operations & Engineering Approval Manager

SKIL Europe BV, 4825 BD Breda, NL

29.07.2014

MELU/TÄRINÄ

- Mitattuna EN 60745 mukaan työkalun melutaso on 92 dB(A) ja yleensä työkalun äänen voimakkuus on 103 dB(A) (keskihajonta: 3 dB), ja tärinän voimakkuus * m/s² (kolmen suunnan vektorisumma; epävarmuus K = 1,5 m/s²)
 - * hionnassa 8,8 m/s²
 - * sahattaessa pistosahanterällä 13,9 m/s²
 - * sahattaessa segmenttisahanterällä 7,2 m/s²
- Tärinäsaäteilytaso on mitattu standardin EN 60745 mukaisen standarditestin mukaisesti; sitä voidaan käyttää verrattaessa yhtä laitetta toiseen sekä alustavana tärinälle altistumisen arviona käytettäessä laitetta manituissa käyttötarkoituksissa
 - laitteen käyttö eri käyttötarkoituksiin tai erilaisten tai huonosti ylläpidettyjen lisälaitteiden kanssa voi **lisätä** merkittävästi altistumistasoa
 - laitteen ollessa sammuksissa tai kun se on käynnissä, mutta sillä ei tehdä työtä, altistumistaso voi olla huomattavasti **pienempi**
- ! **suojaudu tärinän vaikutuksilta ylläpitämällä laite ja sen lisävarusteet, pitämällä kädet lämpiminä ja järjestämällä työmenetelmät**

E

Herramienta multiuso

1470

INTRODUCCIÓN

- Esta herramienta está concebida para serrar y cortar madera, plástico, escayola, metales y azulejos blandos, así como para el lijado en seco de superficies pequeñas
- Debido al accionamiento oscilante, el accesorio bascula 3º hasta 22000 veces por minuto, lo que hace a esta herramienta idónea para trabajos de precisión en bordes y lugares estrechos y de difícil acceso
- Esta herramienta no está concebida para uso profesional
- Esta herramienta acepta los accesorios para herramientas multiuso más comunes, incluyendo los accesorios BOSCH OIS existentes ③
- Lea y conserve este manual de instrucciones ④

DATOS TÉCNICOS ①

ELEMENTOS DE LA HERRAMIENTA ②

- A Tornillo de sujeción con arandela
- B Llave hexagonal
- C Plataforma de lijado
- D Dispositivo de extracción de polvo

- E Interruptor de activación/desactivación
- F Rueda de selección de la velocidad
- G Ranuras de ventilación
- H Hoja de sierra de segmento circular
- J Hoja de sierra de penetración (madera, 20 mm)
- K Hoja de lija (grano grueso)
- L Hoja de lija (grano fino)
- M Accesorio de ajuste de profundidad *

* NO INCLUIDO/A DE SERIE

SEGURIDAD

INSTRUCCIONES GENERALES DE SEGURIDAD

⚠ ¡ATENCIÓN! Lea íntegramente estas advertencias de peligro e instrucciones. En caso de no atenderse a las advertencias de peligro e instrucciones siguientes, ello puede ocasionar una descarga eléctrica, un incendio y/o lesión grave. **Guardar todas las advertencias de peligro e instrucciones para futuras consultas.** El término "herramienta eléctrica" empleado en las siguientes advertencias de peligro se refiere a herramientas eléctricas de conexión a la red (con cable de red) y a herramientas eléctricas accionadas por acumulador (o sea, sin cable de red).

1) SEGURIDAD DEL PUESTO DE TRABAJO

- a) **Mantenga limpia y bien iluminada su área de trabajo.** El desorden o una iluminación deficiente en las áreas de trabajo pueden provocar accidentes.
- b) **No utilice la herramienta eléctrica en un entorno con peligro de explosión, en el que se encuentren combustibles líquidos, gases o material en polvo.** Las herramientas eléctricas producen chispas que pueden llegar a inflamar los materiales en polvo o vapores.
- c) **Mantenga alejados a los niños y otras personas de su área de trabajo al emplear la herramienta eléctrica.** Una distracción le puede hacer perder el control sobre la herramienta.

2) SEGURIDAD ELÉCTRICA

- a) **El enchufe de la herramienta debe corresponder a la toma de corriente utilizada. No es admisible modificar el enchufe en forma alguna. No emplear adaptadores en herramientas dotadas con una toma de tierra.** Los enchufes sin modificar adecuados a las respectivas tomas de corriente reducen el riesgo de una descarga eléctrica.
- b) **Evite que su cuerpo toque partes conectadas a tierra como tuberías, radiadores, cocinas y refrigeradores.** El riesgo a quedar expuesto a una descarga eléctrica es mayor si su cuerpo tiene contacto con tomas de tierra.
- c) **No exponga las herramientas eléctricas a la lluvia o a condiciones de humedad.** Existe el peligro de recibir una descarga eléctrica si penetran líquidos en la herramienta.
- d) **No utilice el cable de red para transportar o colgar la herramienta, ni tire de él para sacar el enchufe de la toma de corriente. Mantenga el cable de red alejado del calor, aceite, esquinas cortantes o**

piezas móviles. Los cables de red dañados o enredados pueden provocar una descarga eléctrica.

- e) **Al trabajar con la herramienta eléctrica en la intemperie utilice solamente cables de prolongación homologados para su uso en exteriores.** La utilización de un cable de prolongación adecuado para su uso en exteriores reduce el riesgo de una descarga eléctrica.
- f) **Si el funcionamiento de una herramienta eléctrica en un lugar húmedo fuese inevitable, utilice un cortacircuito de fuga a tierra.** El uso de un cortacircuito de fuga a tierra reduce el riesgo de descarga eléctrica.

3) SEGURIDAD DE PERSONAS

- a) **Esté atento y emplee la herramienta con prudencia. No utilice la herramienta eléctrica si estuviese cansado, ni bajo los efectos de alcohol, drogas o medicamentos.** El no estar atento durante el uso de una herramienta eléctrica puede provocarle serias lesiones.
 - b) **Utilice un equipo de protección personal y en todo caso unas gafas de protección.** El riesgo a lesionarse se reduce considerablemente si, dependiendo del tipo y la aplicación de la herramienta eléctrica empleada, se utiliza un equipo de protección adecuado como una mascarilla antipolvo, zapatos de seguridad con suela antideslizante, casco, o protectores auditivos.
 - c) **Evite una puesta en marcha fortuita. Asegurarse de que la herramienta eléctrica esté desconectada antes de conectarla a la toma de corriente y/o al montar el acumulador, al recogerla, y al transportarla.** Si transporta la herramienta eléctrica sujetándola por el interruptor de conexión/desconexión, o si introduce el enchufe en la toma de corriente con la herramienta eléctrica conectada, ello puede dar lugar a un accidente.
 - d) **Retire las herramientas de ajuste o llaves fijas antes de conectar la herramienta eléctrica.** Una herramienta o llave colocada en una pieza rotativa puede producir lesiones graves al accionar la herramienta eléctrica.
 - e) **Sea precavido. Trabaje sobre una base firme y mantenga el equilibrio en todo momento.** Ello le permitirá controlar mejor la herramienta eléctrica en caso de presentarse una situación inesperada.
 - f) **Lleve puesta una vestimenta de trabajo adecuada. No utilice vestimenta amplia ni joyas. Mantenga su pelo, vestimenta y guantes alejados de las piezas móviles.** La vestimenta suelta, las joyas y el pelo largo se pueden enganchar con las piezas en movimiento.
 - g) **Siempre que sea posible utilizar equipos de aspiración o captación de polvo, asegúrese que éstos estén montados y que sean utilizados correctamente.** El empleo de estos equipos reduce los riesgos derivados del polvo.
- #### 4) CUIDADO Y UTILIZACIÓN DE HERRAMIENTAS ELÉCTRICAS
- a) **No sobrecargue la herramienta. Use la herramienta prevista para el trabajo a realizar.** Con la herramienta adecuada podrá trabajar mejor y con mayor seguridad dentro del margen de potencia indicado.
 - b) **No utilice herramientas con un interruptor defectuoso.** Las herramientas que no se puedan

conectar o desconectar son peligrosas y deben repararse.

- c) **Saque el enchufe de la red y/o desmonte el acumulador antes de realizar un ajuste en la herramienta eléctrica, cambiar de accesorio o al guardar la herramienta eléctrica.** Esta medida preventiva reduce el riesgo de conectar accidentalmente la herramienta.
- d) **Guarde las herramientas fuera del alcance de los niños y de las personas que no estén familiarizadas con su uso.** Las herramientas utilizadas por personas inexpertas son peligrosas.
- e) **Cuide sus herramientas con esmero. Controle si funcionan correctamente, sin atascarse, las partes móviles de la herramienta, y si existen partes rotas o deterioradas que pudieran afectar al funcionamiento de la herramienta. Si la herramienta eléctrica estuviese defectuosa haga repararla antes de volver a utilizarla.** Muchos de los accidentes se deben a herramientas con un mantenimiento deficiente.
- f) **Mantenga los útiles limpios y afilados.** Los útiles mantenidos correctamente se dejan guiar y controlar mejor.
- g) **Utilice herramientas eléctricas, accesorios, útiles, etc. de acuerdo con estas instrucciones, teniendo en cuenta las condiciones de trabajo y la tarea a realizar.** El uso de herramientas eléctricas para trabajos diferentes de aquellos para los que han sido concebidas puede resultar peligroso.

5) SERVICIO

- a) **Únicamente haga reparar su herramienta eléctrica por un profesional, empleando exclusivamente piezas de repuesto originales.** Solamente así se mantiene la seguridad de la herramienta eléctrica.

INSTRUCCIONES DE SEGURIDAD PARA HERRAMIENTAS MULTIUSO

GENERAL

- Esta herramienta no debe utilizarse por personas menores de 16 años
- Utilice cables de extensión seguros y completamente desenrollados con una capacidad de 16 amperios
- Compruebe siempre que la tensión de alimentación es la misma que la indicada en la placa de características de la herramienta (las herramientas de 230V o 240V pueden conectarse también a 220V)
- Evite los daños que puedan causar los tornillos, clavos y otros objetos sobre la pieza de trabajo; retírelos antes de empezar a trabajar
- **Asegure la pieza de trabajo** (una pieza de trabajo fijada con unos dispositivos de sujeción o en un tornillo de banco, se mantiene sujeta de forma mucho más segura que con la mano)
- **No trabaje materiales que contengan amianto** (el amianto es cancerígeno)
- **Desenchufar siempre la herramienta antes de realizar cualquier ajuste o cambiar algún accesorio**
- Cuando trabaje mantenga siempre firme la herramienta con ambas manos y adopte una posición estable
- Mantenga siempre el cable lejos de las partes móviles de la herramienta; mantenga el cable detrás de usted, lejos de la herramienta

- **Utilice guantes de protección al cambiar accesorios** (el contacto con el accesorio puede provocar lesiones)
- En el caso de que se produjera un mal funcionamiento eléctrico o mecánico, apague inmediatamente la herramienta y desconecte el enchufe
- Si llega a dañarse o cortarse el cable eléctrico durante el trabajo, no tocar el cable, sino extraer inmediatamente el enchufe de la red
- No utilizar la herramienta cuando el cable esté dañado; hágalo cambiar por una persona calificada
- Ponga atención al guardar su herramienta de que el motor está apagado y las partes móviles están parados
AL SERRAR/CORTAR
- **Sujete la herramienta eléctrica por las superficies de agarre aisladas al realizar trabajos en los que el accesorio pueda tocar conductores eléctricos ocultos o el propio cable** (el contacto con conductores bajo tensión puede hacer que las partes metálicas de la herramienta eléctrica le provoquen una descarga eléctrica)
- **Mantenga las manos alejadas de la zona de corte;** por ningún motivo toque por debajo del material mientras se está cortando
- **Utilice aparatos de detección adecuados para localizar posibles conductores o tuberías ocultas, o consulte a su compañía abastecedora** (el contacto con conductores eléctricos puede provocar una descarga eléctrica e incluso un incendio; al dañar una tubería de gas puede producirse una explosión; la perforación de una tubería de agua pueden causar daños materiales o una descarga eléctrica)
- No utilice nunca hojas rotas, desformadas o desgastadas
AL LIJAR
- El polvo del material, como por ejemplo la pintura que contiene plomo, algunas especies de madera, minerales y metal podrían ser dañinos (el contacto o inhalación del polvo podría producir reacciones alérgicas y/o trastornos respiratorios al operador u otras personas cerca); **utilice una máscara contra el polvo y trabaje con un dispositivo de extracción de polvo cuando lo conecte**
- Ciertos tipos de polvo están catalogados como cancerígenos (por ejemplo el polvo de roble y de haya) especialmente junto con aditivos para el acondicionamiento de la madera; **utilice una máscara contra el polvo y trabaje con un dispositivo de extracción de polvo cuando lo conecte**
- Siga la normativa nacional en cuanto a extracción de polvo, en función de los materiales que vayan a ser utilizados
- **Use la herramienta exclusivamente para lijado en seco** (la penetración de agua en la herramienta aumenta el riesgo de descarga eléctrica)
- Evitar el contacto con la hoja de lijado en marcha
- No utilizar hojas de lijado desgastadas, desgarradas o excesivamente embazadas
- Al lijar metal se generen chispas; no utilice el aspirador y mantenga otras personas y materiales combustibles alejados de la zona de trabajo

USO

- Cambio de accesorios ⑤
 - ! **desenchufar la herramienta**
 - retire/instale el accesorio requerido según figura en la ilustración
 - asegúrese de que las aberturas del accesorio encajan con las pestañas del cabezal de la herramienta (es posible cualquier posición de acoplamiento)
 - instale el accesorio con el centro hundido orientado hacia abajo
 - afloje/apriete el tornillo A con la llave hexagonal B
 - **compruebe que el accesorio se apoya de forma ajustada** (los accesorios apretados de forma incorrecta o poco firme pueden soltarse durante la operación provocando riesgos)
- Montaje de la hoja de lija ⑥
 - sacuda el polvo adherido al VELCRO de la plataforma de lijado C ② antes de colocar la hoja de lija
 - monte la hoja de lijado VELCRO de la forma ilustrada
 - ! **utilice hojas de lija perforadas a.f.d. la aspiradora de polvo**
 - ! **las perforaciones de las hojas de lija deben corresponderse con las perforaciones de la lijadora**
 - ! **cambie a tiempo las hojas de lija pasadas**
 - ! **utilice siempre la herramienta con toda la superficie de VELCRO cubierta con la hoja de lija**
- Extracción de virutas y polvo ⑦
 - monte el dispositivo de extracción de polvo D como figura en la ilustración
 - monte la aspiradora
 - ! **no utilice el dispositivo de extracción de polvo/aspirador al lijar metales**
 - limpie el dispositivo de extracción de polvo D con regularidad para que el rendimiento de la captación de polvo sea óptimo
- Encendido/apagado
 - encienda/apague la herramienta empujando el interruptor E ② a la posición "I"/"O"
 - ! **antes de trabajar sobre una pieza, la herramienta deba alcanzar su velocidad máxima**
 - ! **antes de desactivar la herramienta, debe retirarla de la pieza de trabajo**
- Ajuste de la velocidad de funcionamiento ⑧
 - la frecuencia de oscilación requerida se puede ajustar con la rueda F desde el nivel bajo (1) al alto (6) (también con la herramienta en funcionamiento)
 - la velocidad óptima de trabajo depende del material y puede determinarse con la práctica
- Sujeción y manejo de la herramienta
 - ! **durante el trabajo, sujete siempre la herramienta por la(s) zona(s) de empuñadura de color gris ⑨**
 - mantenga las ranuras de ventilación G ② descubiertas
 - no aplique demasiada presión sobre la herramienta (demasiada presión provocará un calentamiento excesivo y puede reducir la vida útil del accesorio)
- Accesorio de ajuste de profundidad (DEPTH STOP) (no incluido de serie) ⑩

CONSEJOS DE APLICACIÓN

- Use la hoja de sierra de segmento circular H ② para cortes de separación y penetración en madera, escayola, yeso y plásticos (también para serrar cerca de bordes, en esquinas y en otras zonas de difícil acceso)
- Use la hoja de sierra de penetración J ② para cortes de separación y penetración profunda en madera, escayola, yeso y plásticos blandos (también para serrar cerca de bordes, en esquinas y en otras zonas de difícil acceso)
- Para más consejos vea www.skil.com

MANTENIMIENTO / SERVICIO

- Esta herramienta no está concebida para uso profesional
- Mantenga limpio el cable eléctrico y la herramienta (sobre todo las ranuras de ventilación G ②)
 - ! **desenchufar la herramienta antes de limpiar**
- Si a pesar de los esmerados procesos de fabricación y control, la herramienta llegase a averiarse, la reparación deberá encargarse a un servicio técnico autorizado para herramientas eléctricas SKIL
 - envíe la herramienta **sin desmontar** junto con una prueba de su compra a su distribuidor o a la estación de servicio más cercana de SKIL (los nombres así como el despiece de piezas de la herramienta figuran en www.skil.com)

AMBIENTE

- **No deseche las herramientas eléctricas, los accesorios y embalajes junto con los residuos domésticos** (sólo para países de la Unión Europea)
 - de conformidad con la Directiva Europea 2012/19/CE sobre residuos de aparatos eléctricos y electrónicos y su aplicación de acuerdo con la legislación nacional, las herramientas eléctricas cuya vida útil haya llegado a su fin se deberán recoger por separado y trasladar a una planta de reciclaje que cumpla con las exigencias ecológicas
 - símbolo ⑪ llamará su atención en caso de necesidad de tirarlas

DECLARACIÓN DE CONFORMIDAD CE

Herramienta multiuso 1470

Datos técnicos ①

- Declaramos bajo nuestra sola responsabilidad que el producto descrito bajo "Datos técnicos" está en conformidad con las normas o documentos normalizados siguientes: EN 60745, EN 61000, EN 55014, de acuerdo con las disposiciones en las directivas 2014/30/UE, 2006/42/CE, 2011/65/UE
- **Expediente técnico en:** SKIL Europe BV (PT-SEU/ENG1), 4825 BD Breda, NL

Marijn van der Hoofden
Operations & Engineering

Olaf Dijkgraaf
Approval Manager

SKIL Europe BV, 4825 BD Breda, NL

29.07.2014

RUIDOS/VIBRACIONES

- Medido según EN 60745 el nivel de la presión acústica de esta herramienta se eleva a 92 dB(A) y el nivel de la potencia acústica a 103 dB(A) (desviación estándar: 3 dB), y la vibración a \ast m/s² (suma vectorial de tres direcciones; incertidumbre K = 1,5 m/s²)
 - \ast durante el lijado 8,8 m/s²
 - \ast al cortar con la hoja de sierra de penetración 13,9 m/s²
 - \ast al cortar con la hoja de sierra de segmento circular 7,2 m/s²
 - El nivel de emisión de vibraciones ha sido medido según una prueba estándar proporcionada en EN 60745; puede utilizarse para comparar una herramienta con otra y como valoración preliminar de la exposición a las vibraciones al utilizar la herramienta con las aplicaciones mencionadas
 - al utilizarla para distintas aplicaciones o con accesorios diferentes o con un mantenimiento deficiente, podría **augmentar** de forma notable el nivel de exposición
 - en las ocasiones en que se apaga la herramienta o cuando está funcionando pero no está realizando ningún trabajo, se podría **reducir** el nivel de exposición de forma importante
- ! protéjase contra los efectos de la vibración realizando el mantenimiento de la herramienta y sus accesorios, manteniendo sus manos calientes y organizando sus patrones de trabajo**



P

Ferramenta multifunções 1470

INTRODUÇÃO

- Esta ferramenta destina-se a serrar e cortar madeira, plástico, reboco, metais e mosaicos de parede leves, assim como lixar a seco pequenas superfícies
- Devido ao accionamento oscilante, o acessório roda até 22000 vezes por minuto para 3°, o que torna a ferramenta especialmente adequada para trabalho preciso em esquinas, locais estreitos e de difícil acesso
- Esta ferramenta não se destina a utilização profissional
- Esta ferramenta aceita os acessórios multiferramentas disponíveis mais comuns, incluindo os acessórios BOSCH OIS existentes ③
- Leia e guarde este manual de instruções ④

DADOS TÉCNICOS ①

ELEMENTOS DA FERRAMENTA ②

- A Parafuso de fixação com anilha
- B Chave sextavada
- C Disco de lixa
- D Dispositivo de extracção de pó

- E Interruptor para ligar/desligar
- F Roda de selecção de velocidade
- G Aberturas de ventilação
- H Lâmina da serra de segmento
- J Lâmina da serra de corte (madeira, 20 mm)
- K Folha de lixa (grossa)
- L Folha de lixa (fina)
- M Acessório de ajuste da profundidade *

* NÃO INCLUIDO/A DE SÉRIE

SEGURANÇA

INSTRUÇÕES GERAIS DE SEGURANÇA

⚠ ATENÇÃO! Devem ser lidas todas as indicações de advertência e todas as instruções. O desrespeito das advertências e instruções apresentadas abaixo pode causar choque eléctrico, incêndio e/ou graves lesões. **Guarde bem todas as advertências e instruções para futura referência.** O termo "ferramenta eléctrica" utilizado a seguir nas indicações de advertência, refere-se a ferramentas eléctricas operadas com corrente de rede (com cabo de rede) e a ferramentas eléctricas operadas com acumulador (sem cabo de rede).

1) SEGURANÇA DA ÁREA DE TRABALHO

- Mantenha a sua área de trabalho limpa e arrumada.** Desordem ou áreas de trabalho com fraca iluminação podem causar acidentes.
- Não trabalhar com a ferramenta eléctrica em áreas com risco de explosão, nas quais se encontrem líquidos, gases ou pós inflamáveis.** Ferramentas eléctricas produzem faíscas que podem provocar a ignição de pó e vapores.
- Mantenha crianças e outras pessoas afastadas da ferramenta eléctrica durante o trabalho com a ferramenta.** Distrações podem causar a falta de controle sobre o aparelho.

2) SEGURANÇA ELÉCTRICA

- A ficha da ferramentas eléctricas devem caber na tomada. A ficha não deve ser modificada de modo algum. Não utilize quaisquer fichas de adaptação junto com ferramentas eléctricas ligadas à terra.** Fichas sem modificações e tomadas adequadas reduzem o risco de choques eléctricos.
- Evite que o corpo entre em contacto com superfícies ligadas à terra, como por exemplo tubos, radiadores, fogões e geladeiras.** Há um risco elevado de choques eléctricos, caso o corpo for ligado à terra.
- A ferramenta eléctrica não deve ser exposta à chuva nem humidade.** A penetração de água na ferramenta eléctrica aumenta o risco de choques eléctricos.
- O cabo do aparelho não deve ser utilizado para o transporte, para pendurar o aparelho, nem para puxar a ficha da tomada. Mantenha o cabo afastado de calor, óleo, cantos afiados ou partes em movimento do aparelho.** Cabos danificados ou torcidos aumentam o risco de choques eléctricos.

e) **Ao trabalhar com a ferramenta eléctrica ao ar livre, use um cabo de extensão apropriado para áreas externas.** O uso de um cabo apropriado para áreas externas reduz o risco de choques eléctricos.

f) **Se não for possível evitar o funcionamento da ferramenta eléctrica em áreas húmidas, deverá ser utilizado uma disjuntor de corrente de avaria.** A utilização de um disjuntor de corrente de avaria reduz o risco de um choque eléctrico.

3) SEGURANÇA DE PESSOAS

a) **Esteja alerta, observe o que está a fazer, e tenha prudência ao trabalhar com a a ferramenta eléctrica. Não use a ferramenta eléctrica se estiver fatigado ou sob a influência de drogas, álcool ou medicamentos.** Um momento de falta de atenção durante a operação da ferramenta eléctrica pode causar graves lesões.

b) **Utilizar equipamento de protecção pessoal e sempre óculos de protecção.** A utilização de equipamento de protecção pessoal, como máscara de protecção contra pó, sapatos de segurança antiderrapantes, capacete de segurança ou protecção auricular, de acordo com o tipo e aplicação da ferramenta eléctrica, reduz o risco de lesões.

c) **Evitar uma colocação em funcionamento involuntária. Assegure-se de que a ferramenta eléctrica esteja desligada, antes de conectá-la à alimentação de rede e/ou ao acumulador, antes de levantá-la ou de transportá-la.** Se tiver o dedo no interruptor ao transportar a ferramenta eléctrica ou se o aparelho for conectado à alimentação de rede enquanto estiver ligado, poderão ocorrer acidentes.

d) **Remover chaves de ajustes ou chaves de fenda, antes de ligar a ferramenta eléctrica.** Uma chave de fenda ou chave de ajuste que se encontre numa parte móvel do aparelho, pode levar a lesões.

e) **Não se sobrestime. Mantenha uma posição firme e mantenha sempre o equilíbrio.** Desta forma poderá ser mais fácil controlar o aparelho em situações inesperadas.

f) **Use roupa apropriada. Não use roupa larga ou jóias. Mantenha o cabelo, roupa e luvas afastadas de partes em movimento.** Roupas largas, jóias ou cabelos longos podem ser agarradas por partes em movimento.

g) **Se for prevista a montagem de dispositivos de aspiração de pó e de dispositivos de recolha, assegure-se de que estão conectados e que sejam utilizados de forma correcta.** A utilização de uma aspiração de pó pode reduzir o perigo devido ao pó.

4) USO E TRATAMENTO DE FERRAMENTAS ELÉCTRICAS

a) **Não sobrecarregue a ferramenta eléctrica. Use para o seu trabalho a ferramenta eléctrica correcta.** A ferramenta correcta realizará o trabalho de forma melhor e mais segura dentro da faixa de potência indicada.

b) **Não utilize a ferramenta eléctrica se o interruptor não puder ser ligado nem desligado.** Qualquer ferramenta eléctrica que não possa ser controlada através do interruptor de ligar-desligar, é perigosa e deve ser reparada.

c) **Puxar a ficha da tomada e/ou remover o acumulador antes de executar ajustes na ferramenta, de substituir acessórios ou de guardar a ferramenta.**

Esta medida de segurança evita que a ferramenta eléctrica seja ligada acidentalmente.

d) **Guarde ferramentas eléctricas que não estiverem sendo utilizadas, for a do alcance de crianças. Não permita que o aparelho seja utilizado por pessoas não familiarizadas com o mesmo ou que não tenham lido estas instruções.** Ferramentas eléctricas são perigosas nas mãos de pessoas sem treinamento.

e) **Trate a sua ferramenta eléctrica com cuidado. Verifique se as partes móveis do aparelho funcionam perfeitamente e não emperram, se há peças quebradas ou danificadas, que possam influenciar o funcionamento do aparelho. Peças danificadas devem ser reparadas antes da utilização do aparelho.** Muitos acidentes tem como causa uma manutenção insuficiente das ferramentas eléctricas.

f) **Mantenha as ferramentas de corte sempre afiadas e limpas.** Ferramentas de cortes devidamente tratadas, com cantos afiados travam com menos frequência e podem ser controladas com maior facilidade.

g) **Use a ferramenta eléctrica, os acessórios os bits da ferramenta etc., de acordo com estas instruções. Considere também as condições de trabalho e o trabalho a ser efectuado.** A utilização da ferramenta eléctrica para outros fins que os previstos, pode resultar em situações perigosas.

5) SERVIÇO

a) **A sua ferramenta eléctrica só deve ser reparada por pessoal qualificado e só devem ser colocadas peças sobressalentes originais.** Desta forma é assegurada a segurança da ferramenta eléctrica.

INSTRUÇÕES DE SEGURANÇA PARA FERRAMENTAS MULTIFUNÇÕES

GENERAL

- Esta ferramenta não deve ser utilizada por pessoas menores de 16 anos
- Utilize extensões completamente desenroladas e seguras, com uma capacidade de 16 Amp
- Certifique-se sempre de que a tensão de alimentação está de acordo com a tensão indicada na placa de identificação da ferramenta (ferramentas com a indicação de 230V ou 240V também podem ser ligadas a uma fonte de 220V)
- Evite danificar a ferramenta em superfícies com pregos ou parafusos; remova-os antes de começar a trabalhar
- **Fixe a peça de trabalho** (uma peça de trabalho fixa com dispositivos de fixação ou num torno fica melhor fixa do que manualmente)
- **Não processar material que contenha asbesto** (asbesto é considerado como sendo cancerígeno)
- **Desligue sempre a ficha da tomada antes de proceder a qualquer ajustamento ou troca de acessório**
- Durante o trabalho segure sempre a ferramenta firmemente com ambas as mãos e mantenha uma posição firme

- Mantenha sempre o fio afastado das peças rotativas da ferramenta; coloque o fio para trás, fora do alcance da ferramenta
- **Use luvas de protecção quando mudar os acessórios** (contacto com o acessório pode provocar lesões)
- Em caso de anomalias eléctricas ou mecânicas, desligue imediatamente a ferramenta e tire a ficha da tomada
- Caso o fio for danificado ou cortado durante o trabalho, não toque no fio, mas tire imediatamente a ficha da tomada
- Não utilize ferramenta caso o fio esteja danificado; mandando-o substituir por pessoal qualificado
- Quando guardar a ferramenta, deverá certificar-se que o motor esta devidamente parado assim como todas as peças rotativas
- **QUANDO SERRAR/CORTAR**
- **Segurar a ferramenta eléctrica pelas superfícies de punho isoladas ao executar trabalhos durante os quais o acessório possa atingir cabos eléctricos escondidos ou o próprio cabo de rede** (o contacto com um cabo sob tensão também pode colocar sob tensão as peças metálicas da ferramenta e levar a um choque eléctrico)
- **Mantenha as mãos afastadas da área de corte;** nunca toque por baixo do material por qualquer motivo durante o corte
- **Utilizar detectores apropriados para detectar tubos e cabos de alimentação escondidos, ou consulte a firma de alimentação local** (o contacto com um cabo eléctrico pode levar a incêndio e choque eléctrico; a danificação de um cano de gás pode levar à explosão; a penetração de uma tubulação de água provoca danos materiais ou pode provocar um choque eléctrico)
- Não utilize lâminas que se encontrem rachadas, deformadas ou cagas
- **QUANDO LIXAR**
- O pó do material, como tinta com chumbo, algumas espécies de madeira, minerais e metais, pode ser prejudicial (contacto ou inalação do pó pode provocar reacções alérgicas e/ou doenças respiratórias ao operador ou às pessoas presentes); **use máscara respiratória e trabalhe com um dispositivo de extracção de pó quando ligado a**
- Determinados tipos de pó são classificados como substâncias cancerígenas (como pó de carvalho e faia), em especial, juntamente com aditivos para acondicionamento da madeira; **use máscara respiratória e trabalhe com um dispositivo de extracção de pó quando ligado a**
- Siga o regulamento nacional quanto a extração de pó, em função dos materiais que vão ser utilizados
- **Utilize a ferramenta apenas para lixagem a seco** (a entrada de água na ferramenta aumenta o risco de choque eléctrico)
- Não entrar em contacto com a folha de lixadeira em funcionamento
- Folhas de lixadeira gastas, rasgadas ou muito sujas não devem continuar a ser utilizadas
- Ao lixar metais, devido às faíscas produzidas, não utilize o aspirador e mantenha afastadas outras pessoas e materiais combustíveis à área de trabalho

MANUSEAMENTO

- Substituição de acessórios ⑤
 - ! **desligar da fonte de corrente**
 - retire/monte o acessório necessário conforme ilustrado
 - certifique-se de que as aberturas do acessório engatam nas patilhas da cabeça da ferramenta (qualquer posição de encaixe possível)
 - monte o acessório com o centro comprimido apontado para baixo
 - desaperte/aperte parafuso A com a chave hexagonal B
 - **verifique o aperto do acessório** (os acessórios apertados incorrectamente ou mal apertados podem ficar soltos durante o funcionamento e criar perigo)
- Montagem das folhas de lixa ⑥
 - sacuda o pó do tecido de VELCRO do disco de lixa C
 - ② antes de montar a folha de lixa
 - monte a folha de lixa VELCRO como ilustrado
 - ! **deverá usar folhas de lixa perfuradas no sistema de aspiração de pó**
 - ! **a perfuração da folha de lixa deverá corresponder à perfuração da ferramenta**
 - ! **troque as folhas de lixas gastas atempadamente**
 - ! **utilize sempre a ferramenta com toda a superfície de VELCRO coberta com a folha de lixa**
- Extracção de pó/aparas ⑦
 - monte o dispositivo de extracção de pó D conforme ilustrado
 - aplique o aspirador
 - ! **não utilize o dispositivo de extracção de pó/ aspirador quando lixar metais**
 - limpe o dispositivo de extracção de pó D regularmente para uma recolha de pó óptima
- Ligar/desligar
 - ligue/desligue a ferramenta premindo o interruptor E
 - ② para a posição "I"/"O"
 - ! **a ferramenta deverá trabalhar na velocidade máxima antes de alcançar a peça a trabalhar**
 - ! **antes de desligar a ferramenta, deve levantá-la da peça de trabalho**
- Ajustar a velocidade de trabalho ⑧
 - com a roda F pode ajustar a frequência de oscilação necessária de baixa (1) a alta (6) (também com a ferramenta em funcionamento)
 - a velocidade de trabalho óptima depende do material e pode ser determinada pelas tentativas práticas
- Segurar e guiar a ferramenta
 - ! **durante o trabalho, segure sempre a ferramenta na(s) área(s) de fixação cinzenta(s) ⑨**
 - mantenha as aberturas de ventilação G ② destapadas
 - não aplique demasiada pressão na ferramenta (a pressão excessiva provocará calor excessivo e pode reduzir a duração do acessório)
- Acessório de ajuste da profundidade (DEPTH STOP) (não incluído de série) ⑩

CONSELHOS DE APLICAÇÃO

- Utilize a lâmina da serra de segmento H ② para separar e cortar madeira, reboco, gesso e plástico (também

para serrar junto a esquinas, cantos ou áreas de difícil acesso)

- Utilize a lâmina da serra de corte J (2) para separar e cortar (cortes profundos) madeira, reboco, gesso e plástico (também para serrar junto a esquinas, cantos ou áreas de difícil acesso)
- Para mais sugestões consulte www.skil.com

MANUTENÇÃO / SERVIÇO

- Esta ferramenta não se destina a utilização profissional
- Mantenha a ferramenta e o fio sempre limpos (especialmente as ranhuras de respiração G (2))
! desligar a ferramenta da fonte de corrente antes de limpar
- Se a ferramenta falhar apesar de cuidadosos processos de fabricação e de teste, a reparação deverá ser executada por uma oficina de serviço autorizada para ferramentas eléctricas SKIL
 - envie a ferramenta **sem desmontar**, juntamente com a prova de compra, para o seu revendedor ou para o centro de assistência SKIL mais próximo (os endereços assim como a mapa de peças da ferramenta estão mencionados no www.skil.com)

AMBIENTE

- **Não deite ferramentas eléctricas, acessórios e embalagem no lixo doméstico** (apenas para países da UE)
 - de acordo com a directiva europeia 2012/19/CE sobre ferramentas eléctricas e electrónicas usadas e a transposição para as leis nacionais, as ferramentas eléctricas usadas devem ser recolhidas em separado e encaminhadas a uma instalação de reciclagem dos materiais ecológica
 - símbolo (1) lhe avisará em caso de necessidade de arranja-las

DECLARAÇÃO DE CONFORMIDADE

Ferramenta multifunções 1470 Dados técnicos (1)

- Declaramos sob nossa exclusiva responsabilidade que o produto descrito em "Dados técnicos" cumpre as seguintes normas ou documentos normativos: EN 60745, EN 61000, EN 55014, conforme as disposições das directivas 2014/30/UE, 2006/42/CE, 2011/65/UE
- **Processo técnico em:** SKIL Europe BV (PT-SEU/ENG1), 4825 BD Breda, NL

Marijn van der Hoofden
Operations & Engineering

Olaf Dijkgraaf
Approval Manager

SKIL Europe BV, 4825 BD Breda, NL

29.07.2014

RÚIDO/VIBRAÇÕES

- Medido segundo EN 60745 o nível de pressão acústica desta ferramenta é 92 dB(A) e o nível de potência acústica 103 dB(A) (espaço de erro: 3 dB), e a vibração *** m/s²** (soma de vectores de três direcções; incerteza $K = 1,5 \text{ m/s}^2$)
 - * durante a lixage 8,8 m/s²
 - * ao cortar com a lâmina da serra de corte 13,9 m/s²
 - * ao cortar com a lâmina da serra de segmento 7,2 m/s²
- O nível de emissão de vibrações foi medido de acordo com um teste normalizado fornecido na EN 60745; pode ser utilizado para comparar uma ferramenta com outra e como uma avaliação preliminar de exposição à vibração quando utilizar a ferramenta para as aplicações mencionadas
 - utilizar a ferramenta para diferentes aplicações ou com acessórios diferentes ou mantidos deficientemente, pode **aumentar** significativamente o nível de exposição
 - o número de vezes que a ferramenta é desligada ou quando estiver a trabalhar sem fazer nada, pode **reduzir** significativamente o nível de exposição
- ! proteja-se contra os efeitos da vibração, mantendo a ferramenta e os acessórios, mantendo as mãos quentes e organizando os padrões de trabalho**

I

Utensile multifunzione

1470

INTRODUZIONE

- Questo utensile è stato concepito per segare e tagliare legno, plastica, intonaco, metalli e piastrelle per pareti morbide, nonché per la sabbiatura di piccole superfici
- A causa della propulsione oscillante, l'accessorio oscilla fino a 22000 volte al minuto a 3°, il che rende l'utensile particolarmente adatto per i lavori di precisione in angoli, punti stretti e difficili da raggiungere.
- Questo utensile non è inteso per un uso professionale
- Questo utensile permette l'utilizzo dei più comuni accessori disponibili, compresi gli accessori BOSCH OIS in commercio (3)
- Leggete e conservate questo manuale di istruzione (4)

DATI TECNICI (1)

ELEMENTI UTENSILE (2)

- A** Vite di fissaggio con rondella
- B** Chiave esagonale
- C** Paltorello
- D** Dispositivo per l'estrazione della polvere
- E** Interruttore di accesso/spento
- F** Rotella selezione velocità
- G** Feritoio di ventilazione
- H** Lama per sega a segmenti
- J** Lama per tagli in profondità (legno, 20 mm)
- K** Foglio abrasivo (grosso)

- L Foglio abrasivo (fine)
- M Accessorio per la regolazione della profondità *

* NON INCLUSO/A DI SERIE

SICUREZZA

ISTRUZIONI GENERALI DI SICUREZZA

⚠ ATTENZIONE! Leggere tutte le avvertenze di pericolo e le istruzioni operative. In caso di mancato rispetto delle avvertenze di pericolo e delle istruzioni operative si potrà creare il pericolo di scosse elettriche, incendi e/o incidenti gravi. **Conservare tutte le avvertenze di pericolo e le istruzioni operative per ogni esigenza futura.** Il termine "elettroutensile" utilizzato nelle avvertenze di pericolo si riferisce ad utensili elettrici alimentati dalla rete (con linea di allacciamento) ed ad utensili elettrici alimentati a batteria (senza linea di allacciamento).

1) SICUREZZA DELLA POSTAZIONE DI LAVORO

- a) **Mantenere pulito ed ordinato il posto di lavoro.** Il disordine o le zone di lavoro non illuminate possono essere fonte di incidenti.
- b) **Evitare d'impiegare l'utensile in ambienti soggetti al rischio di esplosioni nei quali si trovino liquidi, gas o polveri infiammabili.** Gli utensili elettrici producono scintille che possono far infiammare la polvere o i gas.
- c) **Mantenere lontani i bambini ed altre persone durante l'impiego dell'utensile elettrico.** Eventuali distrazioni potranno comportare la perdita del controllo sull'utensile.

2) SICUREZZA ELETTRICA

- a) **La spina per la presa di corrente dovrà essere adatta alla presa. Evitare assolutamente di apportare modifiche alla spina. Non impiegare spine adattatrici assieme ad utensili con collegamento a terra.** Le spine non modificate e le prese adatte allo scopo riducono il rischio di scosse elettriche.
- b) **Evitare il contatto fisico con superfici collegate a terra, come tubi, riscaldamenti, cucine elettriche e frigoriferi.** Sussiste un maggior rischio di scosse elettriche nel momento in cui il corpo è messo a massa.
- c) **Custodire l'utensile al riparo dalla pioggia o dall'umidità.** L'eventuale infiltrazione di acqua in un utensile elettrico va ad aumentare il rischio d'insorgenza di scosse elettriche.
- d) **Non usare il cavo per scopi diversi da quelli previsti al fine di trasportare o appendere l'utensile, oppure di togliere la spina dalla presa di corrente. Mantenere l'utensile al riparo da fonti di calore, dall'olio, dagli spigoli o da pezzi in movimento.** I cavi danneggiati o aggrovigliati aumentano il rischio d'insorgenza di scosse elettriche.
- e) **Qualora si voglia usare l'utensile all'aperto, impiegare solo ed esclusivamente cavi di prolunga omologati per l'impiego all'esterno.** L'uso di un cavo di prolunga omologato per l'impiego all'esterno riduce il rischio d'insorgenza di scosse elettriche.
- f) **Qualora non fosse possibile evitare di utilizzare l'utensile in ambiente umido, utilizzare un**

interruttore di messa a terra. L'uso di un interruttore di messa a terra riduce il rischio di una scossa elettrica.

3) SICUREZZA DELLE PERSONE

- a) **È importante concentrarsi su ciò che si sta facendo e a maneggiare con giudizio l'utensile durante le operazioni di lavoro. Non utilizzare l'utensile in caso di stanchezza o sotto l'effetto di droghe, bevande alcoliche e medicinali.** Un attimo di distrazione durante l'uso dell'utensile potrà causare lesioni gravi.
 - b) **Indossare sempre equipaggiamento protettivo individuale. Usare sempre protezioni per gli occhi.** Se si avrà cura d'indossare equipaggiamento protettivo individuale come la maschera antipolvere, la calzatura antisdrucciolevole di sicurezza, il casco protettivo o la protezione dell'udito, a seconda dell'impiego previsto per l'utensile elettrico, si potrà ridurre il rischio di ferite.
 - c) **Evitare l'accensione involontaria dell'utensile. Prima di collegarlo alla rete di alimentazione elettrica e/o alla batteria ricaricabile, prima di prenderlo oppure prima di iniziare a trasportarlo, assicurarsi che l'utensile sia spento.** Tenendo il dito sopra l'interruttore mentre si trasporta l'utensile oppure collegandolo all'alimentazione di corrente con l'interruttore inserito, si vengono a creare situazioni pericolose in cui possono verificarsi seri incidenti.
 - d) **Togliere gli attrezzi di regolazione o la chiave inglese prima di accendere l'utensile.** Un utensile o una chiave inglese che si trovino in una parte dell'utensile in rotazione potranno causare lesioni.
 - e) **È importante non sopravvalutarsi. Avere cura di mettersi in posizione sicura e di mantenere l'equilibrio.** In tale maniera sarà possibile controllare meglio l'utensile in situazioni inaspettate.
 - f) **Indossare vestiti adeguati. Evitare di indossare vestiti lenti o gioielli. Tenere i capelli, i vestiti ed i guanti lontani da pezzi in movimento.** Vestiti lenti, gioielli o capelli lunghi potranno impigliarsi in pezzi in movimento.
 - g) **Se sussiste la possibilità di montare dispositivi di aspirazione o di captazione della polvere, assicurarsi che gli stessi siano stati installati correttamente e vengano utilizzati senza errori.** L'utilizzo di un'aspirazione polvere può ridurre lo svilupparsi di situazioni pericolose dovute alla polvere.
- #### 4) MANEGGIO ED IMPIEGO ACCURATO DI UTENSILI ELETTRICI
- a) **Non sovraccaricare l'utensile. Impiegare l'utensile elettrico adatto per sbrigare il lavoro.** Utilizzando l'utensile elettrico adatto si potrà lavorare meglio e con maggior sicurezza nell'ambito della gamma di potenza indicata.
 - b) **Non utilizzare utensili elettrici con interruttori difettosi.** Un utensile elettrico che non si può più accendere o spegnere è pericoloso e dovrà essere riparato.
 - c) **Prima di procedere ad operazioni di regolazione sull'utensile, prima di sostituire parti accessorie oppure prima di posare l'utensile al termine di un lavoro, estrarre sempre la spina dalla presa della corrente e/o estrarre la batteria ricaricabile.** Tale precauzione eviterà che l'utensile possa essere messo in funzione inavvertitamente.

- d) **Custodire gli utensili elettrici non utilizzati al di fuori della portata dei bambini. Non fare usare l'utensile a persone che non sono abituate ad usarlo o che non abbiano letto le presenti istruzioni.** Gli utensili elettrici sono pericolosi se utilizzati da persone inesperte.
- e) **Effettuare accuratamente la manutenzione dell'utensile. Verificare che le parti mobili dell'utensile funzionino perfettamente e non s'inceppino, che non ci siano pezzi rotti o danneggiati al punto tale da limitare la funzione dell'utensile stesso. Far riparare le parti danneggiate prima d'impiegare l'utensile.** Numerosi incidenti vengono causati da utensili elettrici la cui manutenzione è stata effettuata poco accuratamente.
- f) **Mantenere affilati e puliti gli utensili da taglio.** Gli utensili da taglio curati con particolare attenzione e con taglienti affilati s'inceppano meno frequentemente e sono più facili da condurre.
- g) **Utilizzare utensili elettrici, accessori, attrezzi, ecc. in conformità con le presenti istruzioni. Osservare le condizioni di lavoro ed il lavoro da eseguirsi durante l'impiego.** L'impiego di utensili elettrici per usi diversi da quelli consentiti potrà dar luogo a situazioni di pericolo.
- 5) ASSISTENZA**
- a) **Fare riparare l'utensile solo ed esclusivamente da personale specializzato e solo impiegando pezzi di ricambio originali.** In tale maniera potrà essere salvaguardata la sicurezza dell'utensile.

ISTRUZIONI DI SICUREZZA PER UTENSILI MULTIFUNZIONE

NOTE GENERALI

- Questo utensile non dev'essere utilizzato da persone di età inferiore ai 16 anni
- Usare cavi di prolunga completamente srotolati e sicure con una capacità di 16 Amp
- Controllare che la tensione dell'alimentazione sia la stessa di quella indicata sulla targhetta dell'utensile (gli utensili con l'indicazione di 230V o 240V possono essere collegati anche alla rete di 220V)
- Evitate possibili danneggiamenti da viti e chiodi sporgenti; rimuoverli prima di iniziare la lavorazione
- **Fissare il pezzo da lavorare** (un pezzo in lavorazione rimane bloccato in posizione con maggiore sicurezza se fissato con appositi dispositivi di serraggio o con una morsa e non tenendolo con la mano)
- **Non lavorare mai materiali contenenti amianto** (l'amianto è ritenuto materiale cancerogeno)
- **Staccate sempre la spina dell'utensile prima di effettuare regolazioni o cambiare gli accessori**
- Durante le operazioni di lavoro tenete sempre l'utensile con ambedue le mani ed assumete una sicura posizione di lavoro
- Mantenere sempre il cavo distante dalle parti in movimento dell'utensile; spingere il cavo verso la parte posteriore, distante dall'utensile
- **Usare guanti protettivi quando si cambiano accessori** (il contatto con l'accessorio può causare lesioni)
- Nel caso di cattivo funzionamento elettrico o meccanico, spegnete subito l'utensile e staccate la spina

- Se durante un'operazione di lavoro viene danneggiato oppure troncato il cavo, non toccare il cavo ma estrarre immediatamente la spina dalla presa
- Non usare l'utensile quando il cavo è danneggiato; farlo sostituire da personale qualificato
- Quando riponete l'utensile accertatevi che non ci siano parti in movimento e che il motore sia spento **DURANTE LA SABBIAATURA/IL TAGLIO**
- **Tenere l'elettro utensile per le superfici isolate dell'impugnatura qualora venissero effettuati lavori durante i quali l'accessorio potrebbe venire a contatto con cavi elettrici nascosti oppure con il proprio cavo di rete** (il contatto con un cavo sotto tensione può mettere sotto tensione anche parti metalliche dell'elettro utensile, causando una scossa elettrica)
- **Tenere lontane le mani dall'area di taglio;** non posizionare per alcun motivo le mani sotto il materiale durante le operazioni di taglio
- **Al fine di rilevare possibili linee di alimentazione nascoste, utilizzare adeguate apparecchiature di ricerca oppure rivolgersi alla locale società erogatrice** (un contatto con linee elettriche può provocare lo sviluppo di incendi e di scosse elettriche; danneggiando linee del gas si può creare il pericolo di esplosioni; penetrando una tubazione dell'acqua si provocano seri danni materiali oppure vi è il pericolo di provocare una scossa elettrica)
- Non usate la lama in caso sia crepata, deformata o non tagliente **DURANTE LA SABBIAATURA**
- Le polveri di materiali come vernici contenenti piombo, alcune specie di legno, minerali e metallo possono essere nocive (il contatto con queste polveri o la loro inalazione possono causare reazioni allergiche e/o disturbi respiratori all'operatore o ad altre persone presenti sul posto); **indossare una maschera protettiva per la polvere e utilizzare un dispositivo per l'estrazione della polvere se è presente una presa di collegamento**
- Alcuni tipi di polvere sono classificati come cancerogeni (quali le polveri di quercia e faggio) specialmente se associate ad additivi per il trattamento del legno; **indossare una maschera protettiva per la polvere e utilizzare un dispositivo per l'estrazione della polvere se è presente una presa di collegamento**
- Rispettare le istruzioni nazionali riguardanti l'estrazione della polvere per i materiali in lavorazione
- **Usare l'utensile solo per la sabbiaatura a secco** (la penetrazione di acqua nel motore aumenta il rischio di scossa elettrica)
- Evitare di toccare il foglio mentre questo si trova in movimento
- Non continuare ad usare fogli usurati, stagliati oppure già troppo carichi di materiale levigato
- Nella levigatura del metallo vengono generate scintille; non usare l'aspirapolvere e allontanare altre persone e materiali infiammabili dall'area di lavoro

USO

- Cambio di accessori ⑤
- ! **estrarre la spina dalla presa**

- rimuovere/montare l'accessorio richiesto come illustrato
- assicurarsi che le aperture dell'accessorio si incastrino nelle linguette della testa dell'utensile (qualsiasi posizione d'incastro possibile)
- montare l'accessorio con il centro depresso verso il basso
- allentare/fixare la vite A con la chiave esagonale B
- **verificare che l'accessorio sia fissato saldamente** (accessori fissati male o non saldamente possono allentarsi durante l'uso e causare pericoli)
- Montaggio del foglio abrasivo ⑥
 - sbattere il VELCRO del paltorello per rimuovere la polvere C ② prima di applicare il foglio abrasivo
 - montare il foglio abrasivo di VELCRO come illustrato
 - ! **e necessaria foglio abrasivo perforato per l'aspirazione**
 - ! **i fori del foglio devono corrispondere ai fori della piastra**
 - ! **sostituire il foglio abrasivo consumato per tempo**
 - ! **usare l'utensile sempre con l'intera superficie di VELCRO coperta da foglio abrasivo**
- Aspirazione polvere/trucioli ⑦
 - montare il dispositivo per l'estrazione della polvere D come illustrato
 - montare l'aspirapolvere
 - ! **non usare il dispositivo per l'estrazione della polvere/l'aspirapolvere durante al smerigliatura di metallo**
 - pulire il dispositivo per l'estrazione della polvere D regolarmente per ottenere una raccolta della polvere ottimale
- Accesso/spento
 - per accendere/spegnere l'utensile, spingere l'interruttore E ② nella posizione "I"/"O"
 - ! **prima che l'accessorio raggiunga il pezzo in lavorazione, l'utensile deve girare a piena velocità**
 - ! **prima di spegnere l'utensile, dovrete sollevarlo dal pezzo di lavorazione**
- Regolare la velocità di lavoro ⑧
 - con la rotella F è possibile regolare la frequenza d'oscillazione richiesta, da bassa (1) ad alta (6) (anche mentre l'utensile è in uso)
 - la velocità di esercizio ottimale dipende dal materiale e può essere stabilita mediante prove pratiche
- Tenuta e guida dell'utensile
 - ! **durante la lavorazione, impugnare l'utensile sempre in corrispondenza della(e) area(e) grigia(e) ⑨**
 - tenere scoperte le feritoie di ventilazione G ②
 - non applicare troppa pressione sull'utensile (una pressione eccessiva farà riscaldare troppo la punta e ne accorcerà la durata)
- Accessorio di regolazione della profondità (DEPTH STOP) (non incluso di serie) ⑩

CONSIGLIO PRATICO

- Usare la lama per sega a segmenti H ② per separare e tagliare in profondità legno, intonaco, gesso e plastica (anche per segare vicino a bordi, angoli e in punti difficili da raggiungere)
- Usare la lama per sega a segmenti J ② per separare e tagliare in profondità legno, intonaco, gesso e plastica

morbida (anche per segare vicino a bordi, angoli e in punti difficili da raggiungere)

- Per altri consigli consultare il sito www.skil.com

MANUTENZIONE / ASSISTENZA

- Questo utensile non è inteso per un uso professionale
- Tenete sempre puliti utensile e cavo (soprattutto le feritoie di ventilazione G ②)
- ! **prima di pulire estrarre la spina dalla presa**
- Se nonostante gli accurati procedimenti di produzione e di controllo l'utensile dovesse guastarsi, la riparazione va fatta effettuare da un punto di assistenza autorizzato per gli elettrotensili SKIL
 - inviare l'utensile **non smontato** assieme alle prove di acquisto al rivenditore oppure al più vicino centro assistenza SKIL (l'indirizzo ed il disegno delle parti di ricambio dell'utensile sono riportati su www.skil.com)

TUTELA DELL'AMBIENTE

- **Non gettare l'utensile elettrico, gli accessori e l'imballaggio tra i rifiuti domestici** (solo per paesi UE)
 - secondo la Direttiva Europea 2012/19/CE sui rifiuti di utensili elettrici ed elettronici e la sua attuazione in conformità alle norme nazionali, gli utensili elettrici esausti devono essere raccolti separatamente, al fine di essere reimpiegati in modo eco-compatibile
 - il simbolo ⑪ vi ricorderà questo fatto quando dovrete eliminarlo

DICHIARAZIONE DEI CONFORMITÀ CE

Utensile multifunzione 1470

Dati tecnici ①

- Assumendone la piena responsabilità, dichiariamo che il prodotto descritto nei "Dati tecnici" è conforme alle seguenti normative ed ai relativi documenti: EN 60745, EN 61000, EN 55014 in base alle prescrizioni delle direttive 2014/30/UE, 2006/42/EG, 2011/65/UE
- **Fascicolo tecnico presso:** SKIL Europe BV (PT-SEU/ENG1), 4825 BD Breda, NL

Marijn van der Hoofden
Operations & Engineering

Olaf Dijkgraaf
Approval Manager

SKIL Europe BV, 4825 BD Breda, NL

29.07.2014

RUMOROSITÀ/VIBRAZIONE

- Misurato in conformità al EN 60745 il livello di pressione acustica di questo utensile è 92 dB(A) ed il livello di potenza acustica 103 dB(A) (deviazione standard: 3 dB), e la vibrazione * m/s² (somma dei vettori in tre direzioni; incertezza K = 1,5 m/s²)
 - * durante la levigatura 8,8 m/s²
 - * quando si tagliano con la lama per tagli in profondità 13,9 m/s²
 - * quando si tagliano con la lama per sega a segmenti 7,2 m/s²

- Il livello di emissione delle vibrazioni è stato misurato in conformità a un test standardizzato stabilito dalla norma EN 60745; questo valore può essere utilizzato per mettere a confronto un l'utensile con un altro o come valutazione preliminare di esposizione alla vibrazione quando si impiega l'utensile per le applicazioni menzionate
 - se si utilizza l'utensile per applicazioni diverse, oppure con accessori differenti o in scarse condizioni, il livello di esposizione potrebbe **umentare** notevolmente
 - i momenti in cui l'utensile è spento oppure è in funzione ma non viene effettivamente utilizzato per il lavoro, possono contribuire a **ridurre** il livello di esposizione
- ! **protegersi dagli effetti della vibrazione effettuando la manutenzione dell'utensile e dei relativi accessori, mantenendo le mani calde e organizzando i metodi di lavoro**

H

Többfunkciós szerszám 1470

BEVEZETÉS

- Ez a szerszám, fa, műanyag, vakolat, fém és lágy fali csempék fűrészelésére és vágásra alkalmas, valamint használható kis felületek száraz csiszolására.
- A rezgő mozgást végző meghajtás miatt a tartozék percnként 22000-szer lendül ki, ami a szerszámot különösen alkalmassá teszi sarkok, keskeny és egyéb nehezen hozzáférhető helyek megmunkálására.
- Ez a szerszám nem professzionális használatra készült
- A szerszámmal a legtöbb általánosan elérhető, többfunkciós szerszámhoz készített tartozék is használható, beleértve a jelenlegi BOSCH OIS márkájú tartozékokat is ③
- Olvassa el figyelmesen és őrizze meg a használati utasítást ④

MŰSZAKI ADATOK ①

SZERSZÁMGÉP ELEMEI ②

- A Lefogócsavar alátéttel
- B Hatszögkulcs
- C Csiszoló alátétlap
- D Porelszívó eszköz
- E Be/ki kapcsológomb
- F Sebességszabályzó kerék
- G Szellőzőnyílások
- H Kőrszeletes (segment) fűrészlap
- J Beszúró fűrészlap (fa, 20 mm)
- K Csiszolópapír (durva)
- L Csiszolópapír (finom)
- M Mélység beállító tartozék *

* NEM STANDARD TARTOZÉK

BIZTONSÁG

ÁLTALÁNOS BIZTONSÁGI ELŐÍRÁSOK

FIGYELEM! Olvassa el az összes biztonsági figyelmeztetést és előírást. A következőkben leírt előírások betartásának elmulasztása áramütésekhez, tűzhöz és/vagy súlyos testi sérülésekhez vezethet. **Kérjük a későbbi használatra gondosan őrizze meg ezeket az előírásokat.** Az alább alkalmazott elektromos kéziszerszám fogalom a hálózati elektromos kéziszerszámokat (hálózati csatlakozó kábellel) és az akkumulátoros elektromos kéziszerszámokat (hálózati csatlakozó kábel nélkül) foglalja magában.

1) MUNKAHELYI BIZTONSÁG

- Tartsa tisztán és tartsa rendben a munkahelyét.**
Rendetlen munkahelyek vagy megvilágítatlan munkaterületek balesetekhez vezethetnek.
- Ne dolgozzon az elektromos kéziszerszámmal olyan robbanásveszélyes környezetben, ahol éghető folyadékok, gázok vagy porok vannak.** Az elektromos kéziszerszámok szikrákat bocsáthatnak ki, amelyek meggyújthatják a port vagy a gőzöket.
- Tartsa távol a gyerekeket és az idegen személyeket a munkahelytől, ha az elektromos kéziszerszámot használja.** Ha elvonják a figyelmét a munkától, könnyen elvesztheti az uralmát a berendezés felett.

2) ELEKTROMOS BIZTONSÁGI ELŐÍRÁSOK

- A készülék csatlakozó dugójának bele kell illeszkednie a dugaszolóaljzatba. A csatlakozó dugót semmilyen módon sem szabad megváltoztatni. Védőföldeléssel ellátott készülékekkel kapcsolatban ne használjon csatlakozó adaptert.** A változtatás nélküli csatlakozó dugók és a megfelelő dugaszoló aljzatok csökkentik az áramütés kockázatát.
- Ne érjen hozzá földelt felületekhez, mint csövekhez, fűtőtestekhez, kályhákhoz és hűtőszekrényekhez.** Az áramütési veszély megnövekszik, ha a teste le van földelve.
- Tartsa távol az elektromos kéziszerszámot az esőtől és a nedvesség hatásaitól.** Ha víz hatol be egy elektromos kéziszerszámba, ez megnöveli az áramütés veszélyét.
- Ne használja a kábelt a rendeltetésétől eltérő célokra, vagyis a szerszámot soha ne hordozza vagy akassza fel a kábelnél fogva, és soha ne húzza ki a hálózati csatlakozó dugót a kábelnél fogva. Tartsa távol a kábelt hőforrásoktól, olajtól, éles élektől, sarkaktól és mozgó gépalkatrészekről.** Egy megrongálódott vagy csomókkal teli kábel megnöveli az áramütés veszélyét.
- Ha egy elektromos kéziszerszámmal a szabad ég alatt dolgozik, csak a szabadban való használatra engedélyezett hosszabbítót használjon.** A szabadban való használatra engedélyezett hosszabbító használat csökkenti az áramütés veszélyét.
- Ha nem lehet elkerülni az elektromos kéziszerszám nedves környezetben való használatát, alkalmazzon egy földzárlat megszakítót.** Egy földzárlat megszakító alkalmazása csökkenti az áramütés kockázatát.

3) SZEMÉLYI BIZTONSÁGI ELŐÍRÁSOK

- a) **Munka közben mindig figyeljen, ügyeljen arra, amit csinál, és meggondoltan dolgozzon az elektromos kéziszerszámmal.** Ha fáradt, ha kábítószerek vagy alkohol hatása alatt áll, vagy orvosságokat vett be, ne használja a berendezést. A berendezéssel végzett munka közben már egy pillanatnyi figyelmetlenség is komoly sérülésekhez vezethet.
- b) **Viseljen személyi védőfelszerelést és mindig viseljen védőszemüveget.** A személyi védőfelszerelések, mint porvédő álarc, csúszásbiztos védőcipő, védősapka és fülvédő használata az elektromos kéziszerszám használata jellegének megfelelően csökkenti a személyes sérülések kockázatát.
- c) **Kerülje el a készülék akaratlan üzembe helyezését. Győződjön meg arról, hogy az elektromos kéziszerszám ki van kapcsolva, mielőtt bedugná a csatlakozó dugót a dugaszolóaljzatba, csatlakoztatná az akkumulátor-csomagot, és mielőtt felvenné és vinni kezdené az elektromos kéziszerszámot.** Ha az elektromos kéziszerszám felemelése közben az újját a kapcsolón tartja, vagy ha a készüléket bekapcsolt állapotban csatlakoztatja az áramforráshoz, ez balesetekhez vezethet.
- d) **Az elektromos kéziszerszám bekapcsolása előtt okvetlenül távolítsa el a beállító szerszámokat vagy csavarkulcsokat.** Az elektromos kéziszerszám forgó részeiben felejtett beállító szerszám vagy csavarkulcs sérüléseket okozhat.
- e) **Ne becslje túl önmagát. Kerülje el a normálistól eltérő testtartást, ügyeljen arra, hogy mindig biztosan álljon és az egyensúlyát megtartsa.** Így az elektromos kéziszerszám felett váratlan helyzetekben is jobban tud uralkodni.
- f) **Viseljen megfelelő ruhát. Ne viseljen bő ruhát vagy ékszereket. Tartsa távol a haját, a ruháját és a kesztyűjét a mozgó részekről.** A bő ruhát, az ékszereket és a hosszú haját a mozgó alkatrészek magukkal ránthatják.
- g) **Ha az elektromos kéziszerszámra fel lehet szerelni a por elszívásához és összegyűjtéséhez szükséges berendezéseket, ellenőrizze, hogy azok megfelelő módon hozzá vannak kapcsolva a készülékhez és rendeltetésüknek megfelelően működnek.** A porgyűjtő berendezések használata csökkenti a munka során keletkező por veszélyes hatását.
- 4) **AZ ELEKTROMOS KÉZISZERSZÁMOK GONDOS KEZELÉSE ÉS HASZNÁLATA**
- a) **Ne terhelje túl az elektromos kéziszerszámot. A munkájához csak az arra szolgáló elektromos kéziszerszámot használja.** Egy alkalmas elektromos kéziszerszámmal a megadott teljesítménytartományon belül jobban és biztonságosabban lehet dolgozni.
- b) **Ne használjon olyan elektromos kéziszerszámot, amelynek a kapcsolója elromlott.** Egy olyan elektromos kéziszerszám, amelyet nem lehet sem be-, sem kikapcsolni, veszélyes és meg kell javíttatni.
- c) **Húzza ki a csatlakozó dugót a dugaszolóaljzataból és/vagy az akkumulátor-csomagot az elektromos kéziszerszámból, mielőtt az elektromos kéziszerszámon beállítási munkákat végez,**

tartozékokat cserél vagy a szerszámot tárolásra elteszi. Ez az elővigyázatossági intézkedés meggátolja a szerszám akaratlan üzembe helyezését.

- d) **A használaton kívüli elektromos kéziszerszámokat olyan helyen tárolja, ahol azokhoz gyerekek ne férhess nek hozzá. Ne hagyja, hogy olyan személyek használják az elektromos kéziszerszámot, akik nem ismerik a szerszámot, vagy nem olvasták el ezt az útmutatót.** Az elektromos kéziszerszámok veszélyesek, ha azokat gyakorlatlan személyek használják.
- e) **A készüléket gondosan ápolja. Ellenőrizze, hogy a mozgó alkatrészek kifogástalanul működnek-e, nincsenek-e beszorulva, és nincsenek-e eltörve vagy megrongálódva olyan alkatrészek, amelyek hatással lehetnek az elektromos kéziszerszám működésére. A megrongálódott részeket a készülék használatá előtt javíttassa meg.** Sok olyan baleset történik, amelyet az elektromos kéziszerszám nem megfelelő karbantartására lehet visszavezetni.
- f) **Tartsa tisztán és éles állapotban a vágószerszámokat.** Az éles vágóélekkel rendelkező és gondosan ápolott vágószerszámok ritkábban ékelődnek be és azokat könnyebben lehet vezetni és irányítani.
- g) **Az elektromos kéziszerszámokat, tartozékokat, betétszerszámokat stb. csak ezen előírásoknak használja. Vegye figyelembe a munkafeltételeket és a kivitelezendő munka sajátosságait.** Az elektromos kéziszerszám eredeti rendeltetésétől eltérő célokra való alkalmazása veszélyes helyzetekhez vezethet.
- 5) **SZERVIZ**
- a) **Az elektromos kéziszerszámot csak szakképzett személyzet és csak eredeti pótalkatrészek felhasználásával javíthatja.** Ez biztosítja, hogy az elektromos kéziszerszám biztonságos szerszám maradjon.

BIZTONSÁGI UTASÍTÁSOK TÖBBFUNKCIÓS SZERSZÁMGÉPEKHEZ

ÁLTALÁNOS TUDNIVALÓK

- A készüléket csak 16 éven felüli személyek használják
- Használjon teljesen letekert és biztonságos hosszabbítókábel, 16 A-es teljesítménnyel
- Mindig ellenőrizze, hogy a hálózati feszültség megegyezik-e a gép adattábláján feltüntetett értékkel (a 230V vagy 240V jelzésű gépek 220V feszültségre is csatlakoztathatók)
- Ügyeljen arra, hogy a munkadarabban lévő csavar, szög vagy hasonló sérüléseket ne okozhasson; a munka megkezdése előtt eltávolítandó
- **Rögzítse a munkadarabot** (befogókészülékkel vagy satuval befogott munkadarabot sokkal biztonságosabban lehet rögzíteni mint a kézzel tartottat)
- **Ne munkáljon meg a berendezéssel azbesztes tartalmazó anyagokat** (az azbesztnak rákkeltő hatása van)
- **Mindig húzza ki a dugaszolóaljzataból mielőtt tartozékokat cserélne vagy bármit változtatna a gép beállításán**
- Tartsa mindig két kézzel, erősen a gépet, s válasszon stabil és biztonságos

- A gép mozgó részétől mindig tartsa távol az elektromos kábelt; terelje a tápkábelt a gép hátulja felé, a géptől elfelé
- **Tartozékok cseréjéhez használjon védőkesztyűt** (a tartozék érintése sérülésekhez vezethet)
- Normálístól eltérő működés valamint szokatlan, idegen hangok esetén a készüléket azonnal kapcsolja ki és a kábelt húzza ki a fali dugaszoló aljzatról
- Ha a kábel munka közben megsérül vagy el van vága, ne érjen a kábelhoz, hanem azonnal húzza ki a konektorból
- Soha ne használja a szerszámot ha a kábel sérült; cseréltesse ki szakértő által
- A gépet soha ne hagyja bekapcsolt állapotban, ha már nem dolgozik vele
FÜRÉSZELESNÉL/VÁGÁSNÁL
- **Az elektromos kéziszerszámot csak a szigetelt fogantyúfelületeknél fogva tartsa, ha olyan munkát végez, amelynek során a betétszerszám feszültség alatt álló, kívülről nem látható vezetékhez, vagy a készülék saját hálózati csatlakozó kábeljéhez érhet** (ha a berendezés egy feszültség alatt álló vezetékhez ér, az elektromos kéziszerszám fémrészei szintén feszültség alá kerülhetnek és áramütéshez vezethetnek)
- **Kezét tartsa távol a vágófelülettől;** vágás közben soha se nyúljon semmilyen okból az anyag alá
- **A rejtett vezetékek felkutatásához használjon alkalmas fémkereső készüléket, vagy kérje ki a helyi energiaellátó vállalat tanácsát** (ha egy elektromos vezetékkel a berendezéssel megérint, ez tűzhöz és áramütéshez vezethet; egy gázvezeték megrongálása robbanást eredményezhet; egy vízvezetékbe való behatolás anyagi károkhoz és áramütéshez vezethet)
- Ne használjon repedt, deformált vagy tompa fűrészlapot
CSISZOLÁSNÁL
- Az anyagból származó por (mint például az ólmot, néhány fafajtát, ásványi anyagokat és fémeket tartalmazó festékek) káros lehet (a por érintése vagy belégzése allergiás reakciókat és/vagy légzőszervi betegségeket okozhat a kezelő, illetve a közelben állók esetében);
viseljen pormaszkot és amennyiben csatlakoztatható, dolgozzon porelszívó berendezéssel
- Bizonyos porfajták rákkeltő besorolással rendelkeznek (ilyen például a tölgyl- és a bükkfa pora), különösen a fa kondicionálására szolgáló adalékokkal együtt;
viseljen pormaszkot és amennyiben csatlakoztatható, dolgozzon porelszívó berendezéssel
- Kövesse a por kezelésével kapcsolatos helyi előírásokat azon termékekkel kapcsolatban, amellyel dolgozni kíván
- **A gépet csak száraz csiszolásra használja** (víz bejutása a gépbe megnöveli az elektromos áramütés kockázatát)
- Ne nyúljon a mozgásban lévő csiszoló papír
- Ne üzemeltesse a csiszológépet kopott, szakadt vagy erősen szoruló csiszoló papírral
- Fém csiszolásakor szikra keletkezik; ne használjon porszívót; ügyeljen arra, hogy senki ne tartózkodjon a munkaterületen, és ne legyen a közelben gyúlékony anyag

KEZELÉS

- A tartozékok cseréje ⑤
 - ! **húzzuk ki a kábel dugóját a csatlakozó aljzatról**
 - szerelje le/szerelje fel a kívánt tartozékot az ábra szerint
 - gondoskodjon arról, hogy a tartozék nyílásai bekapcsolódjanak a szerszámfej füleibe (bármilyen bekattanó helyzet lehetséges)
 - szerelje fel a tartozékot úgy, hogy a benyomott középpont lefelé mutasson
 - lazítsa/rögzítse a csavart A hatszögletű kulccsal B
 - **ellenőrizze a tartozék szoros felfekvését** (helytelen vagy nem biztonságosan rögzített tartozékok kilazulhatnak működés közben, és veszélyt okozhatnak)
- Csiszolópapír rögzítés ⑥
 - tisztítsa le a port a csiszolóalpon lévő VELCRO anyagról C ② a csiszolópapír rögzítése előtt
 - helyezze fel a VELCRO csiszolópapírt az ábra alapján
 - ! **a porelszíváshoz perforált, lyukacsos csiszolópapírra van szüksége**
 - ! **a csiszolópapíron lévő perforálásoknak a csiszolóalpon lévő lyukakkal egybe kell esniük**
 - ! **az elhasznált csiszolópapírt időben ki kell cserélni**
 - ! **a készüléket mindig úgy használja, hogy a VELCRO felületet fedje a csiszolópapír**
- Por-/forgácselszívó ⑦
 - az D porszívó egységet szerelje fel az ábrán látható módon
 - dugja be a porszívót
 - ! **ne használjon porelszívó eszközt/porszívót fém csiszolásakor**
 - a porelszívó eszköz rendszeres D ürtése segíti az optimális porgyűjtést
- Be/Ki
 - a szerszám ki-/bekapcsolása a E ② kapcsoló "I"/"O" pozícióba állításával történik
 - ! **mielőtt a készüléket a munkadarabra/ba vezetné, várja meg, amíg a motor a maximális fordulatszámot eléri**
 - ! **kikapcsolás előtt készülékét távolítsa el a munkadarabtól**
- A megmunkálási sebesség beállítása ⑧
 - a F kerék segítségével állítható be fokozatmentesen a legnagyobb fordulatszám, az alacsonytól (1) a legmagasabbig (6) (a szerszám működése közben is állítható)
 - az optimális sebesség az anyagtól függ, és próbálkozásokkal határozható meg
- A gép vezetése és tartása
 - ! **munka közben mindvégig tartsa gépet a szürke színű markolati terület(ek)en** ⑨
 - a szellőzőnyílásokat G ② mindig tartsa szabadon
 - ne nyomja túlságosan a szerszámot (a túl erős nyomás túlzott hőtermeléssel jár, és megrövidítheti a motorház élettartamát)
- Mélység beállító tartozék (DEPTH STOP) (nem standard tartozék) ⑩

HASZNÁLAT

- Használja a körszeletes (segment) fűrészlapot H ② szétválasztásra és beszuró vágásokra fában, vakolatban, gipszben és műanyagokban (a szélekhez közeli csiszolásra, sarkokban és más nehezen hozzáférhető helyeken is)
- Használja a beszuró fűrészlapot J ② szétválasztásra és beszuró vágásokra fában, vakolatban, gipszben és lágy műanyagokban (a szélekhez közeli fűrészelésre, sarkokban és más nehezen hozzáférhető helyeken)
- A www.skil.com címen még több ötletet és javaslatot talál

KARBANTARTÁS / SZERVIZ

- A szerszám nem professzionális használatra készült
- Mindig tartsa tisztán a gépet és a vezetékét (különös tekintettel a szellőzőnyílásokra G ②)
! tisztítás előtt húzza ki a csatlakozódugót
- Ha a gép a gondos gyártási és ellenőrzési eljárás ellenére egyszer mégis meghibásodna, akkor a javítással csak SKIL elektromos kéziszerszám-műhely ügyfélszolgálatát szabad megbízni
 - küldje az **összeszerelt** gépet a vásárlást bizonyító számlával együtt a kereskedő vagy a legközelebbi SKIL szervizállomás címére (a címlista és a gép szervizdiagramja a www.skil.com címen található)

KÖRNYEZET

- **Az elektromos kéziszerszámokat, tartozékokat és csomagolást ne dobja a háztartási szemétkébe** (csak EU-országok számára)
 - a használt villamos és elektronikai készülékekről szóló 2012/19/EK irányelv és annak a nemzeti jogba való átültetése szerint az elhasznált elektromos kéziszerszámokat külön kell gyűjteni, és környezetbarát módon újra kell hasznosítani
 - erre emlékeztet a ⑪ jelzés, amennyiben felmerül az intézkedésre való igény

MEGFELELŐSÉGI NYILATKOZAT CE

Többfunkciós szerszám 1470

Műszaki adatok ①

- Egyedüli felelőséggel kijelentjük, hogy a "Műszaki adatok" alatt leírt termék megfelel a következő szabványoknak, illetve irányadó dokumentumoknak: EN 60745, EN 61000, EN 55014 a 2014/30/EU, 2006/42/EK, 2011/65/EU irányelveknek megfelelően
- **A műszaki dokumentáció a következő helyen található:** SKIL Europe BV (PT-SEU/ENG1), 4825 BD Breda, NL

Marijn van der Hoofden
Operations & Engineering

Olaf Dijkgraaf
Approval Manager

SKIL Europe BV, 4825 BD Breda, NL

29.07.2014

ZAJ/REZGÉS

- Az EN 60745 alapján végzett mérések szerint ezen készülék hangnyomás szintje 92 dB(A) a hangteljesítmény szintje 103 dB(A) (normál eltérés: 3 dB), a rezgésszám * m/s² (a három irány vektorösszege; szórás K = 1,5 m/s²)
 - * csiszolás közben 8,8 m/s²
 - * vágáshoz beszuró fűrészlappal 13,9 m/s²
 - * vágáshoz körszeletes fűrészlappal 7,2 m/s²
- A rezgés-kibocsátási szint mérése az EN 60745 szabványban meghatározott szabványosított teszttel összhangban történt; ez egy eszköznek egy másik eszközzel történő összehasonlítására, illetve a rezgésnek való kitettség előzetes felmérésére használható fel az eszköznek az említett alkalmazásokra történő felhasználása során
 - az eszköznek eltérő alkalmazásokra, vagy eltérő, illetve rosszul karbantartott tartozékokkal történő felhasználása jelentősen **emelheti** a kitettség szintjét
 - az idő, amikor az eszköz ki van kapcsolva, vagy amikor ugyan működik, de ténylegesen nem végez munkát, jelentősen **csökkentheti** a kitettség szintjét
- **! az eszköz és tartozékai karbantartásával, kezelésével melegen tartásával, és munkavégzésének megszervezésével védje meg magát a rezgések hatásaitól**

CZ

Multifunkční nářadí

1470

ÚVOD

- Tento nástroj je určen k řezání dřeva, plastů, omítek, kovů a měkkých obkládaček a také pro suché pískování malých povrchů
- Díky oscilačnímu pohonu se příslušenství natáčí až 22000-krát za minutu v úhlu 3 stupně, takže nástroj je zvláště vhodný pro přesnou práci na hranách či ve stíněných a jinak těžko přístupných místech
- Tento nástroj není určen k profesionálnímu použití
- Tento nástroj lze použít s většinou běžně dostupného příslušenství pro více nástrojů, včetně existujících příslušenství BOSCH OIS ③
- Tento návod s pokyny si pečlivě přečtete a uschovejte ④

TECHNICKÁ DATA ①

SOUČÁSTI NÁSTROJE ②

- A Upínací šroub s podložkou
- B Šestihranný klíč
- C Pískovací podložka
- D Zařízení na odsávání prachu
- E Spínač "zapnuto/vypnuto"
- F Kolečko regulátor rychlosti
- G Větrací štěrbiný
- H Segmentový pilový list
- J Zapichovací pilový list (dřevo, 20 mm)
- K Brusný papír (hrubý)

- L Brusný papír (jemný)
- M Příslušenství k nastavení hloubky *

* NENÍ STANDARDNÍ SOUČÁSTÍ

BEZPEČNOST

VŠEOBECNÉ BEZPEČNOSTNÍ PŘEDPISY

⚠ POZOR! Čtete všechna varovná upozornění a pokyny. Zanedbání při dodržování varovných upozornění a pokynů mohou mít za následek úder elektrickým proudem, požár a/nebo těžká poranění. **Všechna varovná upozornění a pokyny do budoucna uschovejte.** Ve varovných upozorněních použitý pojem "elektronářadí" se vztahuje na elektronářadí provozované na el. síti (se síťovým kabelem) a na elektronářadí provozované na akumulátoru (bez síťového kabelu).

1) BEZPEČNOST PRACOVNÍHO MÍSTA

- a) **Udržujte Vaše pracovní místo čisté a uklizené.** Nepořádek nebo neosvětlené pracovní oblasti mohou vést k úrazům.
- b) **Se strojem nepracujte v prostředích ohrožených explozí, kde se nacházejí hořlavé kapaliny, plyny nebo prach.** Elektronářadí vytváří jiskry, které mohou prach nebo páry zapálit.
- c) **Děti a jiné osoby udržujte při použití elektronářadí daleko od Vašeho pracovního místa.** Při rozptýlení můžete ztratit kontrolu nad strojem.

2) ELEKTRICKÁ BEZPEČNOST

- a) **Připojovací zástrčka stroje musí lícovat se zásuvkou. Zástrčka nesmí být žádným způsobem upravena. Společně se stroji s ochranným uzemněním nepoužívejte žádné adaptérové zástrčky.** Neupravené zástrčky a vhodné zásuvky snižují riziko elektrického úderu.
- b) **Zabraňte kontaktu těla s uzemněnými povrchy, jako např. potrubí, topení, sporáky a chladničky.** Je-li Vaše tělo uzemněno, existuje zvýšené riziko elektrického úderu.
- c) **Chraňte stroj před deštěm a vlhkem.** Vniknutí vody do elektrického stroje zvyšuje nebezpečí elektrického úderu.
- d) **Dbějte na účel kabelu, nepoužívejte jej k nošení či zavěšení stroje nebo vytažení zástrčky ze zásuvky. Udržujte kabel daleko od tepla, oleje, ostrých hran nebo pohyblivých dílů stroje.** Poškozené nebo spletené kabely zvyšují riziko elektrického úderu.
- e) **Pokud pracujete s elektronářadím venku, použijte pouze takové prodlužovací kabely, které jsou schváleny i pro venkovní použití.** Použití prodlužovacího kabelu, jež je vhodný pro použití venku, snižuje riziko elektrického úderu.
- f) **Pokud se nelze vyhnout provozu elektronářadí ve vlhkém prostředí, použijte ochranný jistič.** Nasazení ochranného jističe snižuje riziko úderu elektrickým proudem.

3) BEZPEČNOST OSOB

- a) **Bud'te pozorní, dávejte pozor na to, co děláte a přístupujte k práci s elektronářadím rozumně. Stroj nepoužívejte pokud jste unaveni nebo pod vlivem**

- drog, alkoholu nebo léků.** Moment nepozornosti při použití elektronářadí může vést k vážným poraněním.
- b) **Noste osobní ochranné pomůcky a vždy ochranné brýle.** Nošení osobních ochranných pomůcek jako maska proti prachu, bezpečnostní obuv s protiskluzovou podrážkou, ochranná přilba nebo sluchátka, podle druhu nasazení elektronářadí, snižují riziko poranění.
- c) **Zabraňte neúmyslnému uvedení do provozu. Přesvědčte se, že je elektronářadí vypnuté dříve než jej uchopíte, poneseťe či připojíte na zdroj proudu a/ nebo akumulátor.** Máte-li při nošení elektronářadí prst na spínači nebo pokud stroj připojíte ke zdroji proudu zapnutý, pak to může vést k úrazům.
- d) **Než stroj zapnete, odstraňte seřizovací nástroje nebo šroubovák.** Nástroj nebo klíč, který se nachází v otáčivém dílu stroje, může vést k poranění.
- e) **Nepřeceňujte se. Zajistěte si bezpečný postoj a vždy udržujte rovnováhu.** Tím můžete stroj v neočekávaných situacích lépe kontrolovat.
- f) **Noste vhodný oděv. Nenoste žádný volný oděv nebo šperky. Vlasy, oděv a rukavice udržujte daleko od pohyblivých se dílů.** Volný oděv, šperky nebo dlouhé vlasy mohou být zachyceny pohyblivými se díly.
- g) **Lze-li namontovat odsávací či zachycující přípravky, přesvědčte se, že jsou připojeny a správně pracují.** Použití odsávání prachu může snížit ohrožení prachem.
- 4) **SVĚDOMITĚ ZACHÁZENÍ A POUŽÍVÁNÍ ELEKTRONÁŘADÍ**
 - a) **Stroj nepřetěžujte. Pro svou práci použijte k tomu určený stroj.** S vhodným elektronářadím budete pracovat v udané oblasti výkonu lépe a bezpečněji.
 - b) **Nepoužívejte žádné elektronářadí, jehož spínač je vadný.** Elektronářadí, které nelze zapnout či vypnout je nebezpečné a musí se opravit.
 - c) **Než provedete seřízení stroje, výměnu dílů příslušenství nebo stroj odložíte, vytáhněte zástrčku ze zásuvky a/nebo odstraňte akumulátor.** Toto preventivní opatření zabrání neúmyslnému zapnutí stroje.
 - d) **Uchovávejte nepoužívané elektronářadí mimo dosah dětí. Nenechte stroj používat osobám, které se strojem nejsou seznámeny nebo nečetly tyto pokyny.** Elektronářadí je nebezpečné, je-li používáno nezkušenými osobami.
 - e) **Pečujte o stroj svědomitě. Zkontrolujte, zda pohyblivé díly stroje bezvadně fungují a nevzpříčují se, zda díly nejsou zlomené nebo poškozené tak, že je omezena funkce stroje. Poškozené díly nechte před nasazením stroje opravit.** Mnoho úrazů má příčinu ve špatně udržovaném elektronářadí.
 - f) **Řezné nástroje udržujte ostré a čisté.** Pečlivě ošetřované řezné nástroje s ostrými řeznými hranami se méně vzpříčují a dají se lehčeji vést.
 - g) **Používejte elektronářadí, příslušenství, nasazovací nástroje apod. podle těchto pokynů. Respektujte přitom pracovní podmínky a prováděnou činnost.** Použití elektronářadí pro jiné než určující použití může vést k nebezpečným situacím.
- 5) **SERVIS**
 - a) **Nechte Váš stroj opravit pouze kvalifikovaným odborným personálem a pouze s originálními náhradními díly.** Tím bude zajištěno, že bezpečnost stroje zůstane zachována.

BEZPEČNOSTNÍ POKYNY PRO MULTIFUNKČNÍ NÁŘADÍ

OBECNĚ

- Tento nástroj nesmí používat osoby mladší 16 let
 - Používejte zcela rozvinuté a bezpečné prodlužovací šňůry o kapacitě 16 ampér
 - Vždy zkontrolujte, zda je napájecí napětí stejné jako napětí uvedené na typovém štítku nástroje (nářadí určené k napájení 230V nebo 240V lze použít též v síti 220V)
 - Vrtačku nepoužívejte je-li navlhla a nepracujte v blízkosti snadno zápalných nebo výbušných materiálů; před zahájením práce je odstraňte
 - **Zajistěte obráběný díl** (obráběný díl uchycený pomocí upinacích zařízení nebo ve svěráku je mnohem bezpečnější než v ruce)
 - **Nepracovávajte žádný materiál obsahující azbest** (azbest je karcinogenní)
 - **Před seřizováním, měněním pilových listů a příslušenství, vždy vytáhněte zástrčku nářadí z el. sítě**
 - Při práci nástroj držte vždy oběma rukama a pevně se postavte
 - Šňůru udržujte vždy mimo dosah pohyblivých částí nástroje; šňůru nasměrujte dozadu, pryč od nástroje
 - **Při výměně příslušenství používejte ochranné rukavice** (kontakt s příslušenstvím může vést ke zranění)
 - V případě atypického chování nebo cizích hluků ihned vypněte nářadí a vytáhněte zástrčku
 - Jestliže přívodní šňůru při práci podkóдите nebo proříznete, nedotýkejte se jí a okamžitě ji vytáhněte ze sítové zásuvky
 - Pila se nesmí používat, je-li její přívodní šňůra poškozená; nechte si je kvalifikovaným pracovníkem vyměnit
 - Jakmile se hodláte vzdálit od nářadí, měl byste ho vypnout a vyčkat, dokud se pohybující části nezastaví **PŘI ŘEZÁNÍ**
 - **Pokud provádíte práce, při kterých může nasazovací nástroj zasáhnout skrytá elektrická vedení nebo vlastní síťový kabel, pak držte elektronářadí na izolovaných plochách rukojeti** (kontakt s vedením pod napětím může přivést napětí i na kovové díly elektronářadí a vést k úderu elektrickým proudem)
 - **Nedotýkejte se řezané oblasti**; během řezání z žádného důvodu nikdy nesahejte pod materiál
 - **Použijte vhodné hledací přístroje k vyhledání skrytých přívodních vedení nebo přívěte místní dodavatelskou společnost** (kontakt s el. vedením může vést k požáru a elektrickému úderu; poškození plynového vedení může vést k explozi; proniknutí do vodovodního potrubí může způsobit věcné škody nebo elektrický úder)
 - Nepoužívejte pilu, je-li list prasklý, zdeformovaný nebo matný
- ### PŘI PÍSKOVÁNÍ
- Prach z látek, jako jsou barvy obsahující olovo, některé druhy dřeva, minerály a kovy, může být škodlivý (kontakt s prachem nebo jeho vdechnutí může způsobit alergickou reakci a/nebo vyvolat respirační choroby u obsluhy nebo přihlížejících); **nosťe protiprachovou**

masku a pracujte se zařízením na odsávání prachu, pokud je možné jej připojit

- Některé druhy prachu jsou klasifikovány jako karcinogenní (například dubový a bukový prach) zejména ve spojení s přísadami pro úpravu dřeva; **nosťe protiprachovou masku a pracujte se zařízením na odsávání prachu, pokud je možné jej připojit**
- Dodržujte stanovená nařízení pro práci v prašném prostředí
- **Nářadí používejte pouze k suchému pískování** (vniknutí vody do nářadí zvyšuje riziko úrazu elektrickým proudem)
- Nedotýkejte se pohybujícího se brusného papíru
- Opotřebený, natřený nebo zanesený brusný papír vždy ihned vyměňte
- Při broušení vznikají jiskry; nepoužívejte odsávání a pracoviště udržujte čisté a nepouštějte k němu neoprávněné osoby

OBSLUHA

- Výměna příslušenství ⑤
 - ! **rozpojte přívodní šňůru**
 - potřebné příslušenství demontujte/montujte podle obrázku
 - dbejte na to, aby otvory v příslušenství zapadly do výstupků v hlavě nástroje (na poloze nezáleží)
 - příslušenství namontujte tak, aby stlačený střed směřoval dolů
 - šroub A povolujte/utahujte šestihranným klíčem B
 - **zkontrolujte těsné uchycení příslušenství** (nesprávné nebo nebezpečně upevněné příslušenství by se při práci mohlo uvolnit a vést k riziku)
- Připevňování brusného papíru ⑥
 - než upevníte brusný papír, vyklepejte prach ze suchého zipu na brusné desce C ②
 - upevněte brusný papír VELCRO podle obrázku
 - ! **pro odsávání je nutné používat perforovaný brusný papír**
 - ! **otvory v brousící papíru musí souhlasit s otvory v brousící desce**
 - ! **opotřebený papír včas vyměňte**
 - ! **vždy nářadí používejte tak, že celý povrch suchého zipu pokryjete brusným papírem**
- Odsávání prachu/třísek ⑦
 - zařízení na odsávání prachu D namontujte podle obrázku
 - připojte vysavač
 - ! **při broušení kovů nepoužívejte zařízení na odsávání prachu/vysavač**
 - zařízení na odsávání prachu D pravidelně čistěte pro optimální odsávání
- Zapnuto/vypnuto
 - zapněte/vypněte nářadí přepnutím vypínače E ② do poloh "I"/"O"
 - ! **nástroj přikládejte k obrobku až po dosažení maximálních otáček**
 - ! **před vypnutím nářadí nejprve odejměte od obrobku**
- Nastavení pracovní rychlosti ⑧
 - kolečkem F lze nastavit požadovanou oscilační frekvenci od nízké (1) až po vysokou (6) (i když se nářadí otáčí)

- optimální pracovní rychlost závisí na daném materiálu a můžete ji zjistit praktickými pokusy
- Držení a vedení nástroje
 - ! **při práci vždy držte nástroj v šedé zbarvené oblasti rukojeti** ②
 - udržujte větrací štěrby G ② nezakryté
 - nevyvíjejte na nástroj přílišný tlak (při nadměrném tlaku se hrot nadměrně zahřívá, což může zkrátit životnost příslušenství)
- Příslušenství k nastavení hloubky (DEPTH STOP) **(není standardní součástí příslušenství)** ⑩

NÁVOD K POUŽITÍ

- Segmentový pilový list H ② použijte pro oddělovací a zapichovací řezy do dřeva, omítky, sádry a plastu (také pro řezání blízko hran, v rozích a jiných těžko přístupných místech)
- Zapichovací pilový list J ② použijte pro oddělovací a hluboké zapichovací řezy do dřeva, omítky, sádry a měkkých plastů (také pro řezání blízko hran, v rozích a jiných těžko přístupných místech)
- Další typy najdete na www.skil.com

ÚDRŽBA / SERVIS

- Tento nástroj není určen k profesionálnímu použití
- Nástroj a přívodní šňůru udržujte čisté (zejména větrací štěrby G ②)
- ! **před čištěním odpojte zástrčku**
- Pokud dojde i přes pečlivou výrobu a náročné kontroly k poruše nástroje, svěřte provedení opravy autorizovanému servisnímu středisku pro elektronářadí firmy SKIL
 - zašlete nástroj **nerozebraný** spolu s potvrzením o nákupu své prodejny nebo nejbližšímu servisu značky SKIL (adresy a servisní schéma nástroje najdete na www.skil.com)

ŽIVOTNÍ PROSTŘEDÍ

- **Elektrické nářadí, doplňky a balení nevyhazujte do komunálního odpadu** (jen pro státy EU)
 - podle evropské směrnice 2012/19/EG o nakládání s použitými elektrickými a elektronickými zařízeními a odpovídajících ustanovení právních předpisů jednotlivých zemí se použítá elektrická nářadí, musí sbírat odděleně od ostatního odpadu a podrobit ekologicky šetrnému recyklování
 - symbol ⑩ na to upozorňuje

PROHLÁŠENÍ O SHODĚ CE

Multifunkční nářadí 1470

Technická data ①

- Prohlašujeme v plné naší zodpovědnosti, že v odstavci "Technická data" popsany výrobek je v souladu s následujícími normami nebo normativními dokumenty: EN 60745, EN 61000, EN 55014, podle ustanovení směrnice 2014/30/EU, 2006/42/ES, 2011/65/EU

- **Technická dokumentace u:** SKIL Europe BV (PT-SEU/ENG1), 4825 BD Breda, NL

Marijn van der Hoofden Olaf Dijkgraaf
Operations & Engineering Approval Manager




SKIL Europe BV, 4825 BD Breda, NL

29.07.2014

HLUČNOSTI/VIBRACÍ

- Měřeno podle EN 60745 činí tlak hlukové vlny tohoto přístroje 92 dB(A) a dávka hlučnosti 103 dB(A) (standardní odchyłka: 3 dB), a vibrací * m/s² (vektorový součet tří os; nepřesnost K = 1,5 m/s²)
 - * při smrkování 8,8 m/s²
 - * při řezání se zapichovacím pilovým listem 13,9 m/s²
 - * při řezání se segmentovým pilovým listem 7,2 m/s²
- Úroveň vibrací byla měřena v souladu se standardizovaným testem podle EN 60745; je možné ji použít ke srovnání jednoho přístroje s druhým a jako předběžné posouzení vystavování se vibracím při používání přístroje k uvedeným aplikacím
 - používání přístroje k jiným aplikacím nebo s jiným či špatně udržovaným příslušenstvím může zásadně **zvýšit** úroveň vystavení se vibracím
 - doba, kdy je přístroj vypnutý nebo kdy běží, ale ve skutečnosti není využíván, může zásadně **snížit** úroveň vystavení se vibracím
- ! **chráňte se před následky vibrací tak, že budete dbát na údržbu přístroje a příslušenství, budete si udržovat teplé ruce a uspořádáte si své pracovní postupy**

TR

Çok fonksiyonlu alet

1470

GİRİS

- Bu alet, ahşap, plastik, alçı, metal ve yumuşak duvar fayanslarını kesmek ve aynı zamanda küçük yüzeyleri kuru olarak zımparalamak üzere tasarlanmıştır
- Salımlı tahrik deneniyle aksesuar 3° için dakikada 22000 kereye kadar sallanmaları, bu özellik aleti özellikle keskin, dar ve diğer ulaşması zor yerler için uygun bir alet yapmaktadır
- Bu alet profesyonel kullanıma yönelik değildir
- Bu alet bulunması kolay mevcut BOSCH OIS aksesuarları dahil çok amaçlı alet aksesuarlarıyla birlikte kullanılabilir ③
- Bu kullanma kılavuzunu okuyun ve saklayın ④

TEKNİK VERİLER ①

ALET BİLEŞENLERİ ②

- A Pullu tespit vidası
- B Altgen anahtar
- C Zımpara pedi
- D Toz çekme aparatı

- E Açma/kapama şalteri
- F Hız seçimi tekerleği
- G Havalandırma yuvaları
- H Dilimli testere bıçağı
- J Saplamalı kesim testere bıçağı (ahşap, 20 mm)
- K Zımparalama levhası (kaba)
- L Zımparalama levhası (ince)
- M Derinlik ayarlama aksesuarı *

* STANDART OLARAK DAHİL DEĞİLDİR

GÜVENLİK

GENEL GÜVENLİK TALİMATI

⚠ DİKKAT! Bütün uyarıları ve talimat hükümlerini okuyun. Açıklanan uyarılara ve talimat hükümlerine uyulmadığı takdirde elektrik çarpmalarına, yangınlara ve/veya ağır yaralanmalara neden olunabilir. **Bütün uyarıları ve talimat hükümlerini ileride kullanmak üzere saklayın.** Uyarı ve talimat hükümlerinde kullanılan "elektrikli el aleti" kavramı, akım şebekesine bağlı (şebeke bağlantı kablosu ile) aletlerle akü ile çalışan aletleri (akım şebekesine bağlantısı olmayan aletler) kapsamaktadır.

1) ÇALIŞMA YERİ GÜVENLİĞİ

- a) **Çalıştığınız yeri temiz ve düzenli tutun.** İşyerindeki düzensizlik veya yetersiz aydınlatma kazalara neden olabilir.
- b) **Yanıcı sıvıların, gazların veya tozların bulunduğunu patlama tehlikesi olan yer ve mekânlarda aletinizle çalışmayın.** Elektrikli el aletleri, toz veya buharların tutuşmasına veya yanmasına neden olan kıvılcımlar çıkarırlar.
- c) **Elektrikli el aletinizle çalışırken çocukları ve başkalarını çalışma alanınızın uzağında tutun.** Yakınızdaki bulunan kişiler dikkatinizi dağıtabilir ve bu da alet üzerindeki kontrolünüzü kaybetmenize neden olabilir.

2) ELEKTRİKSEL GÜVENLİK

- a) **Aletinizin bağlantı fişi prize uymalıdır. Fişi hiçbir şekilde değiştirmeyin. Koruyucu topraklamalı aletlerle adaptörlü fiş kullanmayın.** Değiştirilmemiş, orijinal fiş ve uygun prizler elektrik çarpma tehlikesini azaltır.
- b) **Borular, kalorifer tesisatı, ısıtıcılar ve buzdolapları gibi topraklanmış yüzeylerle bedensel temasa gelmekten kaçının.** Eğer bedeniniz topraklanacak olursa yüksek bir elektrik çarpma tehlikesi ortaya çıkar.
- c) **Aletinizi yağmur ve nemden koruyun.** Elektrikli el aletinin içine suyun sızması elektrik çarpma tehlikesini yükseltir.
- d) **Kabloyu kendi amacı dışında kullanmayın; örneğin aleti kablodan tutarak taşımayın, aleti kablo ile asmayın veya kablodan çekerek fişi prizden çıkarmayın. Kabloyu aşırı sıcaktan, yağlardan, keskin kenarlı cisimlerden veya aletin hareketli parçalarından uzak tutun.** Hasarlı veya dolaşmış kablo elektrik çarpma tehlikesini yükseltir.
- e) **Elektrikli el aletinizle açık havada çalışırken mutlaka açık havada kullanılmaya müsaadeli uzatma kablosu kullanın.** Açık havada kullanılmaya uygun ve müsaadeli

uzatma kablosunun kullanılması elektrik çarpma tehlikesini azaltır.

- f) **Elektrikli el aletinin nemli ortamlarda çalıştırılması şartsa, mutlaka toprak kaçağı devre kesicisi kullanın.** Toprak kaçağı devre kesicisi kullanımı elektrik çarpma tehlikesini azaltır.
- 3) **KİŞİLERİN GÜVENLİĞİ**
 - a) **Dikkatli olun, ne yaptığınıza dikkat edin ve elektrikli el aletinizle çalışırken makul hareket edin. Yorgunsanız, hap, ilaç veya alkol almışsanız aletinizi kullanmayın.** Aletinizi kullanırken bir anlık dikkatsizliğiniz ciddi yaralanmalara yol açabilir.
 - b) **Daima kişisel korunma donanımları ve bir koruyucu gözlük kullanın.** Elektrikli el aletinin türü ve kullanımına uygun olarak kullanacağınız toz maskesi, kaymayan sağlam iş ayakkabıları, koruyucu kask veya koruyucu kulaklık gibi kişisel korunma donanımlarını kullanmanız yaralanma tehlikesini büyük ölçüde azaltır.
 - c) **Aleti yanlışlıkla çalıştırmaktan kaçının. Akım ikmal şebekesine ve/veya aküye bağlamadan, elinize alıp taşımadan önce elektrikli el aletinin kapalı durumda olduğundan emin olun.** Elektrikli el aletini parmağınız şalter üzerinde dururken taşırsanız ve alet açıkken fişi prize sokarsanız kazalara neden olabilirsiniz.
 - d) **Aleti çalıştırmadan önce ayak aletlerini veya tornavidaları aletten uzaklaştırın.** Dönen alet parçasına temas halinde bulunan bir uç veya anahtar yaralanmalara neden olabilir.
 - e) **Kendinize çok fazla güvenmeyin. Duruşunuzun güvenli olmasına dikkat edin ve daima dengenizi koruyun.** Bu sayede aletinizi beklenmedik durumlarda daha iyi kontrol edersiniz.
 - f) **Uygun iş giysileri giyin. Çalışırken çok bol giysiler giymeyin ve takı takmayın. Saçlarınızı, giysilerinizi ve eldivenlerinizi aletin hareketli parçalarından uzak tutun.** Bol giysiler, takılar veya uzun saçlar aletin hareketli parçaları tarafından tutulabilir.
 - g) **Aletinize toz emme donanımı ve toz tutma donanımı takılabiliyorsa, bunların bağlı olup olmadığını ve doğru işlev görüp görmediklerini kontrol edin.** Toz emme donanımının kullanımı tozdan kaynaklanabilecek tehlikeleri azaltır.
- 4) **ELEKTRİKLİ EL ALETLERİYLE DİKKATLİ ÇALIŞMAK VE ALETİ DOĞRU KULLANMAK**
 - a) **Aletinizin aşırı ölçüde zorlamayın. İşinize uygun elektrikli el aletini kullanın.** Uygun elektrikli el aleti ile belirtilen performans alanında daha iyi ve daha güvenli çalışırsınız.
 - b) **Açma/kapama şalteri arızalı olan elektrikli el aletini kullanmayın.** Açılıp kapanamayan bir elektrikli el aleti tehlikelidir ve onarılması gerekir.
 - c) **Alette bir ayarlama işlemine başlamadan ve/veya aküyü çıkarmadan önce, herhangi bir aksesuarı değiştirirken veya aleti elinizden bırakırken fişi prizden çekin.** Bu önlem, aletin kontrolünüz dışında ve istenmeden çalışmasını önler.
 - d) **Kullanım dışında iken elektrikli el aletinizi çocukların ulaşamayacağı bir yerde saklayın. Aleti kullanmayı bilmeyen veya bu güvenli talimatını okumayan kişilerin aleti kullanmasına izin vermeyin.** Deneyimsiz kişiler tarafından kullanıldıkları takdirde elektrikli el aletleri tehlikeli olabilirler.

- e) **Aletinizin bakımını özenle yapın. Aletin hareketli parçalarının kusursuz işlev görüp görmediklerini ve sıkışmadıklarını, parçaların kırık veya hasarlı olup olmadıklarını kontrol edin, aksi takdirde alet işlevini tam olarak yerine getiremez. Aletinizi kullanmadan önce hasarlı parçaları onartın.** Birçok iş kazası aletlerin kötü ve yetersiz bakımından kaynaklanır.
- f) **Kesici uçları keskin ve temiz tutun.** İyi bakım görmüş kesici uçlar daha ender sıkışır ve daha iyi yönlendirilirler.
- g) **Elektrikli el aletlerini, aksesuarı, uçları ve benzerlerini bu güvenlik talimatına uygun olarak kullanın. Aletinizi kullanırken çalışma koşullarını ve yaptığınız işi daima dikkate alın.** Elektrikli el aletlerini kendileri için öngörülen işlerin dışında kullanmak tehlikeli durumların ortaya çıkmasına neden olabilir.
- 5) **SERVİS**
- a) **Aletinizi sadece uzman bir elemana ve orijinal yedek parçalar kullanılarak onartın.** Böylelikle aletin güvenliğini korumuş olursunuz.

ÇOK AMAÇLI ALETLERE YÖNELİK GÜVENLİK TALİMATLARI

GENEL

- Bu alet 16 yaşının altındaki kişiler tarafından kullanılmamalıdır
- Tamamen kusursuz ve güvenli 16 Amp uzatma kabloları kullanın
- Güç geriliminin, aletin özellik plakasında belirtilen voltaj değeriyle aynı olduğunu sık sık kontrol edin (230V veya 240V aletler 220V kaynağa bağlanabilir)
- İş parçasının vida, çivi ve benzeri malzeme tarafından hasar görmemesi için dikkatli olun; çalışmaya başlamadan önce bunları çıkartın
- Çalıştığınız parçayı sabitleyin** (kıskaçlarla ya da mengeneyle sabitlenmiş bir iş parçası elle tutulan işten daha güvenlidir)
- Bu aletle asbest içeren malzemeleri işlemeyin** (asbest kanserojen bir madde kabul edilir)
- İstedığınız ayar değişikliklerini ve aksesuar değişikliklerini yapmadan önce mutlaka şebeke fişini prizden çekin**
- Aleti daima iki elinizle sıkıca tutun ve güvenli bir duruş alın
- Kabloyu her zaman aletin hareketli parçalarından uzak tutun; kabloyu arka tarafta araçtan uzakta bulundurun
- Aksesuarları değiştirirken koruyucu eldivenler kullanın** (aksesuarlara dokunmak yaralanmalara yol açabilir)
- Elektriksel veya mekaniksel hatalı çalışma durumunda aleti hemen kapatın ve fişi çekin
- Eğer cihazı kullanırken kordon hasar görür yada kesilirse, kordona kesinlikle dokunmayınız ve derhal fişi çekiniz
- Kordon hasarlı iken cihazı kesinlikle kullanmayınız; uzman bir kişi tarafından değiştiriniz
- Aletinizi bırakıp gitmeden önce mutlaka kapatın ve döner parçaların tam olarak durmasını bekleyin
- TESTEREYLE KESERKEN/KESERKEN**
- Çalışma esnasından uç görünmeyen akım kablolarına veya kendi bağlantı kablosuna temas etme olasılığı olan işleri yaparken aleti sadece izolasyonlu tutamaklarından tutun** (gerilim ileten kablolarla temas elektrikli el aletinizin metal parçalarını da

elektrik akımına maruz bırakabilir ve elektrik çarpmasına neden olabilir)

- Kesme alanından ellerinizi uzak tutun;** kesme işlemi sırasında herhangi bir nedenle malzemenin alt kısmına hiçbir zaman elinizi uzatmayın
- Görünmeyen elektrik kablolarını belirlemek için uygun bir tarama cihazı kullanın veya yerel akım ikmal girketlerinden yardım isteyin** (elektrik kablolarıyla temas, yangın çıkmasına veya elektrik çarpmalarına neden olabilir; bir gaz borusu hasar görürse patlama tehlikesi ortaya çıkar; bir su borusunun delinmesi halinde maddi hasarlar meydana gelebilir veya elektrik çarpma tehlikesi ortaya çıkabilir)
- Çatlamış, eskimiş ve kör bıçakları kullanmayınız **ZIMPARALARKEN**
- Kurşun içeren boya, bazı ahşap türleri, mineral ve metal gibi malzemelerden çıkan toz zararlı olabilir (tozla temasta bulunulması veya solunması operatörde veya yakında bulunan kişilerde alerjik reaksiyonlara ve/veya solunum yolu hastalıklarına neden olabilir); **toz maskesi takın ve toz ekstraksiyon cihazıyla çalışın (bağlanabiliyorsa)**
- Bazı toz tipleri (örneğin meşe ve kayın ağacı tozu), bilhassa ahşap yenileme katkı maddeleriyle birlikte, kansinojenik olarak sınıflandırılır; **toz maskesi takın ve toz ekstraksiyon cihazı ile çalışın (bağlanabiliyorsa)**
- Çalışmak istediğiniz malzemelerin, toz ile ilgili ulusal taleplerini takip ediniz
- Aleti sadece kuru zımparalama için kullanın** (alete suyun girmesi elektrik çarpma tehlikesini artırır)
- Hareket halindeki zımpara kağıdını dokunmayın
- Aşınmış, yırtılmış veya gözenekleri aşırı ölçüde dolmuş zımpara kağıtlarını kullanmayın
- Metalleri zımparalarken sırasında kıvılcımlar oluşur; elektrik süpürgesi kullanmayın ve diğer çalışanları ve yanıcı malzemeleri çalışma alanınızdan uzak tutunuz

KULLANIM

- Aksesuarları değiştirme ⑤
- ! şebeke fişini çekin**
- istediğiniz aksesuarı gösterildiği gibi çıkarın/takın
- aksesuar deliklerinin alet kafasında bulunan tırnaklara geçmesini sağlayın (araya girme konumundan herhangi biri mümkündür)
- basık orta noktası aşağıya doğru bakacak şekilde aksesuarı takın
- vidayı A altıgen anahtarla B gevşetin/sıkın
- **aksesuarın sıkıca oturduğunu kontrol edin** (yanlış veya iyice takılmamış aksesuarlar işlem esnasında gevşeyebilir ve tehlike yaratabilir)
- Zımpara kağıdı tespiti ⑥
- zımpara kağıdını yerleştirmeden önce zımpara levhası C ② CIRT BANT materyalinin dokumasını silkeleyin
- VELCRO zımpara kağıdını gösterilen şekilde takın
- ! toz emdirme için delikli zımpara kağıtlarına ihtiyacınız vardır**
- ! zımpara kağıdının delikleri zımpara levhasının deliklerine uymalıdır**
- ! aşınmış zımpara kağıtlarını zamanında yenileyin**
- ! aletin daima tüm CIRT BANT yüzeyini zımpara kağıdı ile kaplayarak kullanın**

- Toz/talaş çıkarma ⑦
 - toz çekme aparatını D gösterildiği gibi takın
 - süpürgeyi takınız
 - ! **metalleri zımparalarken toz çekme aparatı/elektrik süpürgesi kullanmayın**
 - optimum toz emme performansı için toz çekme aparatını D düzenli olarak temizleyin
- Açma/kapama
 - aleti E ② düğmesini "I"/"O" konumuna getirerek açık çalıştırın/kapatın
 - ! **aksesuar iş parçasına temas etmeden önce en yüksek devir sayısına ulaşılmalıdır**
 - ! **aleti kapatmadan önce iş parçası üzerinden kaldırın**
- Çalışma hızının ayarlanması ⑧
 - tekerlekle F istenen salınım frekansı düşük hızdan (1) yüksek hıza (6) kadar ayarlanabilir (aynı zamanda alet çalışırken de ayar yapılabilir)
 - ideal çalışma hızı malzemeye bağlı olup, pratik denemelerle belirlenebilir
- Aletin tutulması ve kullanılması
 - ! **çalışma esnasında, aleti daima gri renkli bölge(ler)den tutun(uz) ⑨**
 - havalandırma yuvalarını G ② açık tutun
 - alet üzerine çok fazla kuvvet uygulamayın (bu durum aşırı ısınmaya neden olacak ve aksesuarların kullanım ömrünü azaltacaktır)
- Derinlik ayarlaması aksesuarı (DEPTH STOP) (standart olarak dahil değildir) ⑩

UYGULAMA

- Ahşap, alçı, alçı taşı, plastik malzemelerde ayırma ve saplamalı kesme için (aynı zamanda kenarlara yakın, köşelerde ve diğer ulaşması zor bölgelerdeki kesimlerde) daire testere bıçağını H ② kullanın
- Ahşap, alçı, alçı taşı ve plastik malzemelerde ayırma ve derin saplamalı kesme için (aynı zamanda kenarlara yakın, köşelerde ve diğer ulaşması zor bölgelerdeki kesimlerde) saplamalı testere bıçağını J ② kullanın
- Daha fazla ipucu için www.skil.com sitesini gezin

BAKIM / SERVİS

- Bu alet profesyonel kullanıma yönelik değildir
- Aleti ve kablolarını daima temiz tutun (özellikle havalandırma yuvalarını G ②)
- ! **temizlemeden önce, cihazın fişini prizden çekin**
- Dikkatli biçimde yürütülen üretim ve test yöntemlerine rağmen aleti arıza yapacak olursa, onarım SKIL elektrikli aletleri için yetkili bir serviste yapılmalıdır
 - aleti ambalajıyla birlikte satın alma belgenizi de ekleyerek satıcınıza veya en yakın SKIL servisine ulaştırın (adresler ve aletin servis şemaları www.skil.com adresinde listelenmiştir)

ÇEVRE

- **Elektrikli aletlerini, aksesuarları ve ambalajları evdeki çöp kutusuna atmayınız** (sadece AB ülkeleri için)
 - kullanılmış elektrikli aletleri, elektrik ve elektrikli eski cihazlar hakkındaki 2012/19/EC Avrupa yönergelerine

göre ve bu yönergeler ulusal hukuk kurallarına göre uyarlanarak, ayrı olarak toplanmalı ve çevre şartlarına uygun bir şekilde tekrar değerlendirilmeye gönderilmelidir

- sembol ⑪ size bunu anımsatmalıdır

UYGUNLUK BEYANI CE

Çok fonksiyonlu alet 1470

Teknik veriler ①

- Tek sorumlu olarak "Teknik veriler" bölümünde tanımlanan ürünün aşağıdaki norm veya normatif belgelere uygunluğunu beyan ederiz: EN 60745, EN 61000, EN 55014 yönetmelik hükümleri uyarınca 2014/30/EU, 2006/42/EG, 2011/65/EU
- **Teknik belgelerin bulunduğu merkez:** SKIL Europe BV (PT-SEU/ENG1), 4825 BD Breda, NL

Marijn van der Hoofden
Operations & Engineering

Olaf Dijkgraaf
Approval Manager

SKIL Europe BV, 4825 BD Breda, NL

29.07.2014

GÜRÜLTÜ/TİTREŞİM

- Ölçülen EN 60745 göre ses basıncı bu makinanın seviyesi 92 dB(A) ve çalışma sırasındaki gürültü 103 dB(A) (standart sapma: 3 dB), ve titreşim * m/s² (üç yönün vektör toplamı; tolerans K = 1,5 m/s²)
 - * zımparalama esnasında 8,8 m/s²
 - * saplamalı kesim testere bıçağıyla kesim yaparken 13,9 m/s²
 - * dilim testere bıçağıyla kesim yaparken 7,2 m/s²
- Titreşim emisyon seviyesi EN 60745'te sunulan standart teste göre ölçülmüştür; bu seviye, bir aleti bir başkasıyla karşılaştırmak amacıyla ve aletin söz konusu uygulamalarda kullanılması sırasında titreşime maruz kalma derecesinin ön değerlendirmesi olarak kullanılabilir
 - aletin farklı uygulamalar için veya farklı ya da bakımı yetersiz yapılmış aksesuarlarla kullanılması, maruz kalma seviyesini belirgin biçimde **arttırabilir**
 - aletin kapalı olduğu veya çalıştığı ancak gerçek anlamda iş yapmadığı zamanlarda, maruz kalma seviyesi belirgin biçimde **azalabilir**
- ! **aletin ve aksesuarlarının bakımını yaparak, ellerinizi sıcak tutarak ve iş modellerinizi düzenleyerek kendinizi titreşimin etkilerinden koruyun**

PL

Narzędzie wielofunkcyjne

1470

WSTĘP

- Narzędzie przeznaczone do wycinania i przecinania drewna, plastiku, gipsu, metali i miękkiej glazury oraz do szlifowania niewielkich powierzchni

- Ponieważ oscylujący silnik obraca się z prędkością do 22000 razy na minutę przy odchyleniu 3°, narzędzie wielofunkcyjne sprawdza się szczególnie dobrze podczas pracy przy krawędziach, na wąskich obszarach lub w innych trudno dostępnych miejscach
- Narzędzie nie jest przeznaczone do zastosowań profesjonalnych
- Narzędzie obsługuje większość dostępnych akcesoriów wielofunkcyjnych, włącznie z istniejącymi akcesoriami BOSCH OIS ③
- Przeczytać i zachować niniejszą instrukcję obsługi ④

DANE TECHNICZNE ①

ELEMENTY NARZĘDZIA ②

- A Śruba zaciskowa z podkładką
- B Klucz sześciokątny
- C Talerz do piaskowania
- D Urządzenie do odsysania kurzu
- E Włącznik/wyłącznik
- F Pokrętko do regulacji prędkości
- G Szczeliny wentylacyjne
- H Brzeszczot segmentowy
- J Brzeszczot do cięcia wglębnego (drewno, 20 mm)
- K Papier ścierny (szorstki)
- L Papier ścierny (gładki)
- M Nasadka do ustawiania głębokości *

* NIEDOSTĘPNA W STANDARDZIE

BEZPIECZEŃSTWO

OGÓLNE PRZEPISY BEZPIECZEŃSTWA

⚠ UWAGA! Należy przeczytać wszystkie wskazówki i przepisy. Błędy w przestrzeganiu poniższych wskazówek mogą spowodować porażenie prądem, pożar i/lub ciężkie obrażenia ciała. **Należy starannie przechowywać wszystkie przepisy i wskazówki bezpieczeństwa dla dalszego zastosowania.** Użyte w poniższym tekście pojęcie "elektronarzędzie" odnosi się do elektronarzędzi zasilanych energią elektryczną z sieci (z przewodem zasilającym) i do elektronarzędzi zasilanych akumulatorami (bez przewodu zasilającego).

1) BEZPIECZEŃSTWO MIEJSCA PRACY

- Miejsce pracy należy utrzymywać w czystości i dobrze oświetlone.** Nieporządek lub nie oświetlone miejsce pracy mogą doprowadzić do wypadków.
- Nie należy pracować tym narzędziem w otoczeniu zagrożonym wybuchem, w którym znajdują się np. łatwopalne ciecze, gazy lub pyły.** Elektronarzędzia wytwarzają iskry, które mogą podpalić ten pył lub pary.
- Elektronarzędzie trzymać podczas pracy z daleka od dzieci i innych osób.** Przy nieuwadze można stracić kontrolę nad narzędziem.

2) BEZPIECZEŃSTWO ELEKTRYCZNE

- Wtyczka urządzenia musi pasować do gniazda. Nie wolno modyfikować wtyczki w jakikolwiek sposób. Nie należy używać wtyczek adapterowych razem z uziemionymi narzędziami.** Niezmienione wtyczki i pasujące gniazda zmniejszają ryzyko porażenia prądem.

- Należy unikać kontaktu z uziemionymi powierzchniami jak rury, grzejniki, piece i lodówki.** Istnieje zwiększone ryzyko porażenia prądem, gdy Państwa ciało jest uziemione.
 - Urządzenie należy przechowywać zabezpieczone przed deszczem i wilgocią.** Wniknięcie wody do elektronarzędzia podwyższa ryzyko porażenia prądem.
 - Nigdy nie należy używać kabla do innych czynności. Nigdy nie używać kabla do noszenia urządzenia za kabel, zawieszania lub do wyciągania wtyczki z gniazda. Kabel należy trzymać z daleka od wysokich temperatur, oleju, ostrych krawędzi lub ruchomych części urządzenia.** Uszkodzone lub poplątane kable zwiększają ryzyko porażenia prądem.
 - W przypadku, kiedy elektronarzędziem pracuje się na świeżym powietrzu należy używać kabla przedłużającego, który dopuszczony jest do używania na zewnątrz.** Użycie dopuszczanego do używania na zewnątrz kabla przedłużającego zmniejsza ryzyko porażenia prądem.
 - Jeżeli nie da się uniknąć zastosowania elektronarzędzia w wilgotnym otoczeniu, należy użyć wyłącznika ochronnego różnicowo-prądowego.** Zastosowanie wyłącznika ochronnego różnicowo-prądowego zmniejsza ryzyko porażenia prądem.
- ### 3) BEZPIECZEŃSTWO OSÓB
- Należy być uważnym, uważać na to co się robi i pracę elektronarzędziem rozpoczynać z rozsądkiem. Nie należy używać urządzenia gdy jest się zmęczonym lub pod wpływem narkotyków, alkoholu lub leków.** Moment nieuwagi przy użyciu urządzenia może doprowadzić do poważnych urażeń ciała.
 - Należy nosić osobiste wyposażenie ochronne i zawsze okulary ochronne.** Noszenie osobistego wyposażenia ochronnego jak maska przeciwpyłowa, nie ślizgające się buty robocze, helm ochronny lub ochrona słuchu, w zależności od rodzaju i zastosowania elektronarzędzia zmniejsza ryzyko obrażeń ciała.
 - Należy unikać niezamierzonego uruchomienia narzędzia. Przed włożeniem wtyczki do gniazda i/ lub podłączeniem do akumulatora, a także przed podniesieniem lub przeniesieniem elektronarzędzia, należy upewnić się, że elektronarzędzie jest wyłączone.** Trzymanie palca na wyłączniku podczas przenoszenia elektronarzędzia lub podłączenie do prądu włączonego narzędzia, może stać się przyczyną wypadków.
 - Zanim urządzenie zostanie włączone należy usunąć narzędzia nastawcze lub klucze.** Narzędzie lub klucz, które znajdują się w ruchomych częściach urządzenia mogą doprowadzić do obrażeń ciała.
 - Nie należy przeceniać swoich możliwości. Należy dbać o bezpieczną pozycję pracy i zawsze utrzymywać równowagę.** Przez to możliwa jest lepsza kontrola urządzenia w nieprzewidzianych sytuacjach.
 - Należy nosić odpowiednie ubranie. Nie należy nosić luźnego ubrania lub biżuterii. Włosy, ubranie i rękawice należy trzymać z daleka od ruchomych elementów.** Luźne ubranie, biżuteria lub długie włosy mogą zostać pociągnięte przez poruszając się części.
 - W przypadku, kiedy możliwe jest zamontowanie urządzeń odsysających lub podchwytyjących należy**

upewnić się, czy są one właściwie podłączone i prawidłowo użyte. Użycie urządzenia odsysającego pył może zmniejszyć zagrożenie pyłami.

4) UWAGA! OBCOWANIE ORAZ UŻYCIE ELEKTRONARZĘDZIA

- a) **Nie należy przeciążać urządzenia. Do pracy używać należy elektronarzędzia, które jest do tego przewidziane.** Odpowiednim narzędziem pracując się lepiej i bezpieczniej w podanym zakresie sprawności.
- b) **Nie należy używać elektronarzędzia, którego włącznik/wyłącznik jest uszkodzony.** Elektronarzędzie, którego nie można włączyć lub wyłączyć jest niebezpieczne i musi zostać naprawione.
- c) **Przed regulacją urządzenia, wymianą osprzętu lub po zaprzestaniu pracy narzędziem, należy wyciągnąć wtyczkę z gniazda i/lub usunąć akumulator.** Ten środek ostrożności zapobiega niezamierzonemu włączeniu się urządzenia.
- d) **Nie używane elektronarzędzia należy przechowywać poza zasięgiem dzieci. Nie należy udostępniać narzędzia osobom, które jego nie umieją lub nie przeczytały tych przepisów.** Używane przez niedoświadczonych osoby elektronarzędzia są niebezpieczne.
- e) **Urządzenie należy starannie konserwować. Należy kontrolować, czy ruchome części urządzenia funkcjonują bez zarzutu i nie są zablokowane, czy części nie są pęknięte lub uszkodzone, co mogłoby mieć wpływ na prawidłowe funkcjonowanie urządzenia. Uszkodzone narzędzie należy przed użyciem urządzenia oddać do naprawy.** Wiele wypadków spowodowanych jest przez niewłaściwą konserwację elektronarzędzi.
- f) **Osprzęt tnący należy utrzymywać ostry i czysty.** Starannie pielęgnowany osprzęt tnący z ostrymi krawędziami tnącymi blokuje się rzadziej i łatwiej się używa.
- g) **Elektronarzędzia, osprzęt, narzędzia itd. należy używać odpowiednio do tych przepisów. Uwzględnić należy przy tym warunki pracy i czynności do wykonania.** Użycie elektronarzędzi do innych niż przewidziane prace może doprowadzić do niebezpiecznych sytuacji.

5) SERWIS

- a) **Naprawę urządzenia należy zlecić jedynie kwalifikowanemu fachowcowi i przy użyciu oryginalnych części zamiennych.** To gwarantuje, że bezpieczeństwo użytkownika zostanie zachowane.

PRZEPISY BEZPIECZEŃSTWA DOTYCZĄCE NARZĘDZI WIELOFUNKCYJNYCH

OGÓLNE

- Narzędzie nie powinny używać dzieci poniżej 16 roku życia
- W przypadku korzystania z kabla przedłużającego należy zwrócić uwagę, aby był maksymalnie nawinięty na bęben oraz był przystosowany do przewodzenia prądu o natężeniu przynajmniej 16 A
- Każdorazowo należy sprawdzać, czy napięcie zasilania jest zgodne z napięciem podanym na tabliczce znamionowej urządzenia (narzędzia na napięcie

znamionowe 230V lub 240V zasilac można także napięciem 220V)

- Uwaga na gwoździe, śruby i inne twarde przedmioty; przed przystąpieniem do obróbki powinny być usunięte z obrabianego przedmiotu; usunąć je przed rozpoczęciem pracy
- **Należy zabezpieczyć miejsce przeznaczone do zszycia** (miejsce przeznaczone do zszycia umieszczone w zaciskach lub imadle jest utrzymywane w miejscu bezpieczniej niż w rękę)
- **Nie należy obrabiać materiału zawierającego azbest** (azbest jest rakotwórczy)
- **Przed przystąpieniem do wykonywania jakichkolwiek czynności przy narzędziu, w czasie przerw w pracy jak również po jej zakończeniu wyjąć wtyczkę z gniazda sieciowego**
- Podczas pracy trzeba mocno trzymać narzędzie obiema rękami i zachowywać bezpieczną odległość
- Kabel zasilający powinien stale znajdować się w bezpiecznej odległości od wirującej części elektronarzędzia; kabel zasilający zawsze prowadzić z tyłu elektronarzędzia
- **Podczas zmiany akcesoriów należy używać rękawic ochronnych** (dotknięcie akcesoriów może doprowadzić do obrażeń)
- W przypadku wadliwego działania mechanicznych lub elektrycznych elementów urządzenia, należy bezzwocznie odłączyć narzędzie i wyjąć wtyczkę
- W przypadku uszkodzenia lub przecięcia przewodu podczas pracy, nie wolno go dotykać, tylko należy natychmiast wyciągnąć z gniazdzka wtyczkę
- Pod żadnym pozorem nie wolno korzystać z narzędzia z uszkodzonym przewodem; zleć jego wymianę wykwalifikowanej osobie
- Przed pozostawieniem elektronarzędzia należy odłączyć zasilanie elektryczne i odczekać do całkowitego zatrzymania się wrzeciona **PODCZAS PIŁOWANIA/CIĘCIA**
- **Podczas wykonywania prac, przy których narzędzie robocze mogłoby natrafić na ukryte przewody elektryczne lub na własny przewód zasilający, elektronarzędzie należy trzymać za izolowane powierzchnie rękojeści** (kontakt z przewodem sieci zasilającej może spowodować przekazanie napięcia na części metalowe elektronarzędzia, co mogłoby spowodować porażenie prądem elektrycznym)
- **Trzymaj ręce z dala od obszaru cięcia;** pod żadnym pozorem nie sięgaj pod materiał podczas cięcia
- **Aby wykryć ukryte przewody zasilające należy używać stosownych detektorów lub porozumieć się z miejscowymi zakładami energetycznymi** (kontakt z przewodami elektrycznymi może doprowadzić do pożaru i porażenia elektrycznego; uszkodzenie przewodu gazowego może doprowadzić do wybuchu; uszkodzenie przewodów instalacji wodociągowej powoduje szkody rzeczowe i może spowodować porażenie elektryczne)
- Nie używać pękniętego, odkształconego lub tępego brzeszczotu **PODCZAS SZLIFOWANIA**
- Pył pochodzący z takich materiałów, jak farby zawierające ołów, niektóre gatunki drzewa, minerały i metal może być szkodliwy (kontakt z nim lub wdychanie

takiego pyłu może powodować reakcje alergiczne i/lub niewydolność oddechową u operatora lub osób towarzyszących); **należy zakładać maskę przeciwpyłową i pracować z urządzeniem odsysającym, jeżeli można je podłączyć**

- Niektóre rodzaje pyłu są zaklasyfikowane jako rakotwórcze (takie, jak pył dębu i buka) szczególnie w połączeniu z dodatkami do kondycjonowania drewna; **należy zakładać maskę przeciwpyłową i pracować z urządzeniem odsysającym pył, jeżeli można je podłączyć**
- Należy stosować się do lokalnych wymogów dotyczących pracy w otoczeniu pyłu powstającego podczas obróbki materiału
- **Narzędzie może być używane wyłącznie podczas szlifowania na sucho** (dostanie się wody do narzędzia grozi porażeniem prądem)
- Nie wolno dotykać poruszającego się papieru ściernego
- Nie należy korzystać ze zużytych podartych albo mocno zapachanych papierów ściernych
- Przy szlifowaniu metalu występuje iskrzenie; nie wolno wtedy zostawać z odkurzaczem a z obszaru pracy należy usunąć wszelkie materiały palne i zabronić tam wstępu osobom trzecim

UŻYTKOWANIE

- Zmiana akcesoriów ⑤
 - ! **wyjąć wtyk z gniazda sieciowego**
 - akcesoria należy montować/zdejmować zgodnie z ilustracją
 - należy sprawdzić, czy otwory akcesoriów zostały nałożone na wypustki głowicy narzędzia (w dowolnej pozycji pozwalającej na zablokowanie akcesoriów)
 - akcesoria należy zakładać tak, aby wkłęsyły środek był skierowany do dołu
 - luzuj/dokręcaj śrubę A kluczem sześciokątnym B
 - **sprawdź osadzenie akcesoriów** (nieprawidłowo lub niedokładnie dokręcone akcesoria mogą poluzować się w trakcie pracy i stać się zagrożeniem)
- Mocowanie papieru ściernego ⑥
 - oczyść stopę VELCRO z zanieczyszczeń C ② przed montażem papieru ściernego
 - załóż papier ścierny VELCRO ("narzępe"), jak pokazano
 - ! **w przypadku wykorzystywania odsysania mocowane papiery ścierne powinny posiadać otwory**
 - ! **rozmieszczenie otworów w papierze powinno być zgodne z położeniem odpowiednich otworów w płycie szlifierskiej elektronarzędzia**
 - ! **zużyte papiery ścierne natychmiast wymienić**
 - ! **podczas korzystania z narzędzia cała powierzchnia VELCRO musi być pokryta papierem ściernym**
- Usuwanie pyłu/wiórów ⑦
 - zamontuj urządzenie do odsysania kurzu D zgodnie z ilustracją
 - podłączyć odkurzacz
 - ! **przy szlifowaniu metalu nie należy używać odpylnika/worka na pył/odkurzacza**
 - w celu zapewnienia optymalnego odpylania należy regularnie czyścić urządzenie do odsysania kurzu D

- Włącznik/wyłącznik
 - włączenie/wyłączenie narzędzia następuje poprzez ustawienie przycisku E ② w pozycji "I"/"O"
 - ! **tarczę zbliżyć do obrabianego przedmiotu dopiero po osiągnięciu przez elektronarzędzie pełnej prędkości obrotowej**
 - ! **przed wyłączeniem narzędzia należy unieść je ponad obrabiany przedmiot**
- Regulacja szybkości roboczej ⑧
 - koło F pozwala na sterowanie wymaganą prędkością drgań: od niskiej (1) do wysokiej (6); regulacja jest możliwa także w trakcie pracy narzędzia
 - optymalna prędkość robocza zależy od materiału
 - należy ją ustalić metodą prób i błędów
- Utrzymywanie i prowadzenie narzędzia
 - ! **podczas pracy zawsze trzymać narzędzie za uchwyt(y) ograniczone szarym kolorem ⑨**
 - szczeliny wentylacyjne G ② powinny być odkryte
 - nie wywierać zbyt dużego nacisku na narzędzie (zbyt silny nacisk spowoduje wytworzenie nadmiernych ilości ciepła i może spowodować skrócenie żywotności akcesorium)
- Nasadka do ustawiania głębokości (DEPTH STOP) (nie należy do standardowego wyposażenia) ⑩

WSKAZÓWKI UŻYTKOWANIA

- Brzeszczot segmentowy H ② pozwala na przecinanie i cięcie wgłębne w drewnie, gipsie i plastikach (także przy brzegach, przy rogach i w innych ciężko dostępnych obszarach)
- Użyj brzeszczotu do cięcia wgłębego J ② do przecinania i cięcia wgłębego w drewnie, gipsie i miękkich tworzywach sztucznych (także przy brzegach, przy rogach i w innych ciężko dostępnych obszarach)
- Więcej wskazówek można znaleźć pod adresem www.skil.com

KONSERWACJA / SERWIS

- Narzędzie nie jest przeznaczone do zastosowań profesjonalnych
- Zawsze dbać o czystość narzędzia i przewoduasilającego (a szczególnie otworów wentylacyjnych G ②)
 - ! **przed przystąpieniem do czyszczenia należy wyjąć wtyk z gniazda sieciowego**
- Jeśli narzędzie, mimo dokładnej i wszechstronnej kontroli produkcyjnej ulegnie kiedykolwiek awarii, naprawę powinien przeprowadzić autoryzowany serwis elektronarzędzi firmy SKIL
 - odesłać **nierozebrany** narzędzie, wraz z dowodem zakupu, do dealera lub do najbliższego punktu usługowego SKIL (adresy oraz diagram serwisowy narzędzia znajdują się na stronach www.skil.com)

ŚRODOWISKO

- **Nie wyrzucaj elektronarzędzi, akcesoriów i opakowania wraz z odpadami z gospodarstwa domowego** (dotyczy tylko państw UE)
 - zgodnie z Europejską Dyrektywą 2012/19/WE w sprawie zużytego sprzętu elektrotechnicznego i

elektronicznego oraz dostosowaniem jej do prawa krajowego, zużyte elektronarzędzia należy posegregować i zutylizować w sposób przyjazny dla środowiska

- w przypadku potrzeby pozbycia się narzędzia, akcesoriów i opakowania - symbol (i) przypomni Ci o tym

ДЕКЛАРАЦИЯ ЗГODНОСТИ CE

Нарzędzie wielofunkcyjne 1470

Дане техничне (1)

- Oświadczamy z pełną odpowiedzialnością, że produkt, przedstawiony w "Дане техничне", odpowiada wymaganiom następujących norm i dokumentów normatywnych: EN 60745, EN 61000, EN 55014, zgodnie z wymaganiami dyrektyw 2014/30/EU, 2006/42/EU, 2011/65/EU
- **Дokumentacja технична:** SKIL Europe BV (PT-SEU/ENG1), 4825 BD Breda, NL

Marijn van der Hoofden
Operations & Engineering

Olaf Dijkgraaf
Approval Manager

SKIL Europe BV, 4825 BD Breda, NL

29.07.2014

HAŁASU/WIBRACJE

- Pomiarów dokonano zgodnie z normą EN 60745 ciśnienie akustyczne narzędzia wynosi 92 dB(A) zaś poziom mocy akustycznej 103 dB(A) (poziom odchylenie: 3 dB), zaś vibracje * m/s² (suma wektorowa z trzech kierunków; błąd pomiaru K = 1,5 m/s²)
 - * podczas szlifowania 8,8 m/s²
 - * przy cięciu brzeszczotem do cięcia wglębnego z 13,9 m/s²
 - * przy cięciu brzeszczotem segmentowym z 7,2 m/s²
 - Poziom emisji vibracji został zmierzony zgodnie z testem standaryzowanym podanym w EN 60745; może służyć do porównania jednego narzędzia z innym i jako ocena wstępna narażenia na vibracje w trakcie używania narzędzia do wymienionych zadań
 - używanie narzędzia do innych zadań, lub z innymi albo źle utrzymanymi akcesoriami, może znacząco **zwiększyć** poziom narażenia
 - przypadki, kiedy narzędzie jest wyłączone lub jest czynne, ale aktualnie nie wykonuje zadania, mogą znacząco **zmniejszyć** poziom narażenia
- ! należy chronić się przed skutkami vibracji przez konserwację narzędzia i jego akcesoriów, zakładanie rękawic i właściwą organizację pracy**

RU

Многофункциональный инструмент

1470

ВВЕДЕНИЕ

- Этот инструмент предназначен для распиливания и резки древесины, пластмассы, гипсокартона, металлов и мягкой облицовочной плитки, а также для сухой шлифовки небольших поверхностей
- За счет кривошипно-балансирного привода насадки вращаются со скоростью до 22000 оборотов в минуту для угла 3°, поэтому этот инструмент превосходно подходит для точной работы в узких и труднодоступных местах
- Этот инструмент не подходит для промышленного использования
- Для этого инструмента подходит большинство имеющихся принадлежностей, которые предназначены для многофункциональных инструментов, включая имеющиеся принадлежности BOSCH OIS (3)
- Прочитайте и сохраните с данной инструкцией (4)

ТЕХНИЧЕСКИЕ ДАННЫЕ (1)

ДЕТАЛИ ИНСТРУМЕНТА (2)

- A** Зажимной винт с шайбой
- B** Ключ-шестигранник
- C** Насадка со шкуркой
- D** Пылеудаляющее устройство
- E** Выключатель вкл/выкл
- F** Колёсико для регулирования скорости
- G** Вентиляционные отверстия
- H** Сегментированное пыльное полотно
- J** Погружное пыльное полотно (по дереву, 20 мм)
- K** Шлифовальный лист (крупнозернистый)
- L** Шлифовальный лист (мелкозернистый)
- M** Ограничитель глубины *

* СТАНДАРТНО В КОМПЛЕКТ НЕ ВКЛЮЧАЕТСЯ

БЕЗОПАСНОСТЬ

ОСНОВНЫЕ ИНСТРУКЦИИ ПО ТЕХНИКЕ БЕЗОПАСНОСТИ

⚠ ВНИМАНИЕ! Прочтите все указания и инструкции по технике безопасности. Упущения, допущенные при соблюдении указаний и инструкций по технике безопасности, могут стать причиной электрического поражения, пожара и тяжелых травм. **Сохраняйте эти инструкции и указания для будущего использования.** Использованное в настоящих инструкциях и указаниях понятие "электроинструмент" распространяется на электроинструмент с питанием от сети (с кабелем питания от электросети) и на аккумуляторный электроинструмент (без кабеля питания от электросети).

1) БЕЗОПАСНОСТЬ РАБОЧЕГО МЕСТА

- a) **Соблюдайте чистоту и поддерживайте надлежащую освещенность на рабочем месте.** Беспорядок на рабочем месте или его плохое освещение могут привести к несчастным случаям.
- b) **Не используйте с электроинструментом во взрывоопасной среде, т.е. в непосредственной близости от легковоспламеняющихся жидкостей, газов или пыли.** В процессе работы электроинструмент искрит и искры могут воспламенить газы или пыль.
- c) **При работе с электроинструментом не допускайте детей или посторонних на Ваше рабочее место.** Отвлечение Вашего внимания может привести к потере контроля над работой инструмента.

2) ЭЛЕКТРИЧЕСКАЯ БЕЗОПАСНОСТЬ

- a) **Штепсельная вилка кабеля питания электроинструмента должна соответствовать розетке электросети. Не вносите никаких изменений в конструкцию вилки. Не используйте адаптеры для электроинструмента с защитным заземлением.** Заводские штепсельные вилки и соответствующие им сетевые розетки существенно снижают вероятность электрошока.
- b) **Избегайте механических контактов с такими заземленными поверхностями, как трубопроводы, системы отопления, плиты и холодильники.** При соприкосновении человека с заземленными предметами во время работы инструментом вероятность электрошока существенно возрастает.
- c) **Оберегайте электроинструмент от воздействия дождя и влаги.** Попадание воды в электроинструмент повышает вероятность электрического удара.
- d) **Используйте кабель строго по назначению. Не допускается тянуть и передвигать электроинструмент за кабель или использовать кабель для вытягивания вилки из розетки.** Оберегайте кабель инструмента от воздействия высоких температур, масла, острых кромок или движущихся частей электроинструмента. Поврежденный или спутанный кабель повышает возможность электрического удара.
- e) **При работе на улице используйте удлинитель, предназначенный для работы вне помещения.** Использование такого удлинителя снижает вероятность электрического удара.
- f) **Если невозможно избежать применения электроинструмента в сыром помещении, то устанавливайте устройство защиты от утечки в землю.** Использование устройства защиты от утечки в землю снижает риск электрического поражения.

3) ЛИЧНАЯ БЕЗОПАСНОСТЬ

- a) **Будьте внимательны, следите за тем, что Вы делаете и выполняйте работу обдуманно. Не пользуйтесь электроинструментом, если Вы устали или находитесь под воздействием транквилизаторов, алкоголя или медицинских препаратов.** Секундная потеря концентрации в

работе с электроинструментом может привести к серьезным травмам.

- b) **Используйте средства индивидуальной защиты. Защитные очки обязательны.** Средства индивидуальной защиты, такие как противопылевой респиратор, нескользящая защитная обувь, шлем-каска, средства защиты органов слуха применяются в соответствующих условиях работы обстоятельствах и минимизируют возможность получения травм.
- c) **Предотвращайте непреднамеренное включение электроинструмента. Перед подключением электроинструмента к электропитанию и/или к аккумулятору убедитесь в выключенном состоянии электроинструмента.** Если Вы при транспортировке электроинструмента держите палец на выключателе или включенный электроинструмент подключаете к сети питания, то это может привести к несчастному случаю.
- d) **Во избежание травм перед включением инструмента удалите регулировочный или гаечный ключ из вращающейся части инструмента.**
- e) **Не переоценивайте свои возможности. Твердо стойте на ногах и удерживайте равновесие.** В таком положении вы сможете лучше контролировать инструмент в неожиданных ситуациях.
- f) **Используйте подходящую рабочую одежду. Не надевайте свободную одежду и украшения. Волосы, одежда и перчатки должны находиться подальше от движущихся частей электроинструмента.** Свободная одежда, украшения или длинные волосы легко могут попасть в движущиеся части электроинструмента.
- g) **При наличии пылеотсасывающих и пылесборных приспособлений убедитесь в том, что они подсоединены и используются надлежащим образом.** Применение пылеотсоса может снизить опасности, создаваемые пылью.

4) ЭКСПЛУАТАЦИЯ И УХОД ЗА ЭЛЕКТРОИНСТРУМЕНТОМ

- a) **Не перегружайте инструмент. Используйте тот инструмент, который предназначен для данной работы.** С подходящим инструментом Вы выполните работу лучше и надежнее, используя весь диапазон его возможностей.
- b) **Не используйте инструмент с неисправным выключателем.** Инструмент с неисправным выключателем опасен и подлежит ремонту.
- c) **До начала наладки электроинструмента, замены принадлежностей или прекращения работы отключайте штепсельную вилку от розетки сети и/или выньте аккумулятор.** Данная мера предосторожности предотвращает случайное включение инструмента.
- d) **Храните неиспользуемый электроинструмент в недоступном для детей месте и не позволяйте использовать его лицам, не умеющим с ним обращаться или не ознакомленным с инструкцией по эксплуатации.** Электроинструменты представляют собой опасность в руках неопытных пользователей.

e) **Электроинструмент требует надлежащего ухода. Проверьте безупречность функции подвижных частей, лёгкость их хода, целостность всех частей и отсутствие повреждений, которые могут негативно сказаться на работе инструмента. При обнаружении повреждений сдайте инструмент в ремонт.** Большое число несчастных случаев связано с неудовлетворительным уходом за электроинструментом.

f) **Режущие части инструмента необходимо поддерживать в заточенном и чистом состоянии.** При надлежащем уходе за режущими принадлежностями с острыми кромками они режут заклиниваются и инструмент лучше поддаётся контролю.

g) **Используйте электроинструмент, принадлежности, биты и т.д. в соответствии с данными инструкциями, исходя из особенностей условий и характера выполняемой работы.** Использование электроинструмента не по назначению может привести к опасным последствиям.

5) СЕРВИСНОЕ ОБСЛУЖИВАНИЕ

a) **Передавайте инструмент на сервисное обслуживание только квалифицированному персоналу, использующему только подлинные запасные части.** Это обеспечит сохранение безопасности электроинструмента.

ИНСТРУКЦИИ ПО ТЕХНИКЕ БЕЗОПАСНОСТИ ПРИ РАБОТЕ С МНОГОФУНКЦИОНАЛЬНЫМИ ИНСТРУМЕНТАМИ

ОБЩЕЕ

- Инструмент нельзя использовать лицам в возрасте до 16 лет
- Используйте полностью размотанные и безопасные удлинители, рассчитанные на ток не менее 16 А
- Обязательно убедитесь, что напряжение питания соответствует напряжению, указанному на фирменном штепселе инструмента (инструменты, рассчитанные на напряжение 230 В или 240 В, можно подключать к питанию 220 В)
- Избегайте повреждений, которые могут быть вызваны винтами, гвоздями и прочими элементами, находящимися в обрабатываемом предмете; перед началом работы их нужно удалить
- **Закрепите обрабатываемую деталь** (обрабатываемая деталь, зафиксированная посредством зажимных устройств или тисков, закрепляется лучше, нежели при помощи рук)
- **Не обрабатывайте материалы с содержанием асбеста** (асбест считается канцерогеном)
- **Перед регулировкой или сменой принадлежности обязательно выньте вилку из сетевой розетки**
- При работе крепко держите инструмент обеими руками и займите устойчивое положение
- Следите за тем, чтобы сетевой шнур не находился рядом с движущимися деталями инструмента; нужно всегда направлять электрический шнур к задней

части инструмента, исключая его захват инструментом

- **При замене насадок используйте защитные перчатки** (контакт с насадкой может привести к травмам)
- В случае любой электрической или механической неисправности немедленно выключите инструмент и выньте вилку из розетки
- При повреждении или разрезании сетевого шнура во время работы не прикасайтесь к нему, и немедленно выньте вилку из розетки
- **Никогда не используйте инструмент, если сетевой шнур повреждён; необходимо, чтобы квалифицированный специалист заменил сетевой шнур**
- **Перед тем как положить инструмент, выключите двигатель и убедитесь в том, что все движущиеся детали полностью остановились** РАСПИЛИВАНИЕ ИЛИ РЕЗКА
- **При выполнении работ, при которых рабочий инструмент может задеть скрытую электропроводку или собственный сетевой кабель, держите электроинструмент за изолированные ручки** (контакт с находящейся под напряжением проводкой может заряжать металлические части электроинструмента и приводить к удару электрическим током)
- **Держите руки подальше от зоны выполнения резки;** ни в коем случае не трогайте разрезаемый материал снизу во время резки
- **Используйте подходящие металлодетекторы для нахождения скрытых проводов снабжения или наведите справки в местных предприятиях коммунального хозяйства** (контакт с электропроводкой может привести к пожару и электрическому удару; повреждение газопровода может привести к взрыву; повреждение водопровода может привести к повреждению имущества или вызвать электрический удар)
- Не используйте деформированные, тупые пилки/диски и т.п. и пилки/диски с трещинами ШЛИФОВКА
- Пыль от таких материалов, как свинцовосодержащая краска, некоторые породы дерева, минералы и металл, может быть вредна (контакт с такой пылью или ее вдыхание может стать причиной возникновения у оператора или находящихся рядом лиц аллергических реакций и/или респираторных заболеваний); **надевайте респиратор и работайте с пылеудаляющим устройством при включении инструмента**
- Некоторые виды пыли классифицируются как канцерогенные (например, дубовая или буковая пыль), особенно в сочетании с добавками для кондиционирования древесины; **надевайте респиратор и работайте с пылеудаляющим устройством при включении инструмента**
- Следуйте принятым в вашей стране требованиям/нормативам относительно пыли для тех материалов, с которыми вы собираетесь работать

- **Используйте инструмент только для сухой шлифовки** (попадание воды в инструмент повышает риск поражения электрическим током)
- Не следует прикасаться к движущейся шлифовальной листу
- Не следует использовать изношенную, порванную или сильно загрязнённую шлифовальную листы
- При обработке металлической поверхности наблюдается искрение; не следует использовать пылесос, а также нельзя допускать в рабочую зону посторонних людей и воспламеняемые материалы

ИСПОЛЬЗОВАНИЕ

- Сменные насадки ⑤
 - ! **разъединить штепсельный разъём**
 - снимайте или устанавливайте требуемые насадки, как показано на рисунке
 - убедитесь, что в отверстия насадки входят выступы на головке инструмента (возможно любое положение фиксации)
 - устанавливайте насадку вогнутым центром вниз
 - ослабляйте или затягивайте винт А с помощью шестигранного ключа В
 - **проверяйте надёжность фиксации насадки** (неправильно или ненадежно закрепленные насадки могут отделяться во время работы и представлять опасность)
- Установка шлифовочного листа ⑥
 - очищайте клейкую часть шлифовального листа VELCRO перед установкой насадки со шкуркой С ②
 - установите наждачный лист VELCRO как показано
 - ! **система отсасывания пыли требует использования перфорированных шлифовочных листов**
 - ! **перфорация в шлифовочных листах должна соответствовать перфорации в основании шлифмашины**
 - ! **меняйте стертые шлифовочные листы вовремя**
 - ! **всегда используйте инструмент при условии, что шлифовальный лист покрывает всю шлифовальную поверхность VELCRO**
- Уборка обрезков/опилок ⑦
 - монтируйте пылеудаляющее устройство D, как указано на рисунке
 - подклучите пылесос
 - ! **не используйте пылеудаляющее устройство или пылесос при шлифовке металла**
 - для оптимального сбора пыли регулярно чистите пылеудаляющее устройство D
- Включение/выключение
 - инструмент включается/выключается перемещением переключателя Е ② в положение "I"/"O"
 - ! **до контакта с обрабатываемыми поверхностями скорость вращения устройства должна быть доведена до максимальной**
 - ! **перед тем как выключить инструмент, его следует поднять над обрабатываемым изделием**

- Регулировка рабочей скорости ⑧
 - с помощью регулятора F можно отрегулировать требуемую частоту колебаний от низкого уровня (1) до высокого (6) (это можно выполнять при работающем инструменте)
 - оптимальная рабочая скорость зависит от используемого материала и может быть определена на практике
- Удержание и направление инструмента
 - ! **во время работы, всегда держите инструмент за места правильного хвата, которые обозначены серым цветом ⑨**
 - содержите вентиляционные отверстия G ② не закрытыми
 - избегайте излишнего нажима на инструмент (при сильном нажиме пилка перегревается, что может привести к ее преждевременному износу)
- Ограничитель глубины (DEPTH STOP) **(не входит в стандартный комплект поставки)** ⑩

СОВЕТЫ ПО ИСПОЛЬЗОВАНИЮ

- Используйте сегментированное пыльное полотно H ② для отдельных и погружных вырезов в древесине, гипсокартоне, гипсе и пластмассе (также для пилки в непосредственной близости от краев, на углах и в других труднодоступных местах)
- Используйте погружное пыльное полотно J ② для отдельных и глубоких погружных вырезов в древесине, гипсокартоне, гипсе и мягкой пластмассе (также для пилки в непосредственной близости от краев, на углах и в других труднодоступных местах)
- См дополнительную информацию на сайте www.skil.com

ТЕХОБСЛУЖИВАНИЕ / СЕРВИС

- Данный инструмент не подходит для промышленного использования
- Всегда содержите инструмент и его шнур в чистоте (особенно вентиляционные отверстия G ②)
 - ! **перед чисткой инструмента выньте вилку из розетки**
- Если инструмент, несмотря на тщательные методы изготовления и испытания, выйдет из строя, то ремонт следует производить силами авторизованной сервисной мастерской для электроинструментов фирмы SKIL
 - отправьте **неразобранный** инструмент со свидетельством покупки Вашему дилеру или в ближайшую станцию обслуживания фирмы SKIL (адреса и схема обслуживания инструмента приведены в вебсайте www.skil.com)

ОХРАНА ОКРУЖАЮЩЕЙ СРЕДЫ

- **Не выкидывайте электроинструмент, принадлежности и упановну вместе с бытовым мусором** (только для стран ЕС)
 - во исполнение европейской директивы 2012/19/ЕС об утилизации отслужившего свой срок электрического и электронного оборудования и в соответствии с действующим законодательством,

утилизация электроинструментов производится отдельно от других отходов на предприятиях, соответствующих условиям экологической безопасности

- значок (1) напоминает Вам об этом, когда появится необходимость сдать электроинструмент на утилизацию

ДЕКЛАРАЦИЯ О СООТВЕТСТВИИ СТАНДАРТАМ СЕ

Многофункциональный инструмент 1470

Технические данные (1)

- С полной ответственностью мы заявляем, что описанный в разделе "Технические данные" продукт соответствует нижеследующим стандартам или нормативным документам: EN 60745, EN 61000, EN 55014 согласно положениям директив 2014/30/ЕС, 2006/42/ЕС, 2011/65/ЕС
- **Техническая документация у:** SKIL Europe BV (PT-SEU/ENG1), 4825 BD Breda, NL

Marijn van der Hoofden
Operations & Engineering

Olaf Dijkgraaf
Approval Manager

SKIL Europe BV, 4825 BD Breda, NL

29.07.2014

- Информация о сертификате соответствия расположена на последней странице настоящей Инструкции
- Сертификаты соответствия хранятся по адресу: ООО "Роберт Бош" ул. Акад. Королёва, 13, стр. 5 Россия, 129515, Москва **С января 2014 г.** Вашутинское шоссе, влад. 36 Россия, 141446 г.о. Химки
- **Дата производства** указана на последней странице настоящей инструкции
- Информацию об **импортере** изделия можно найти на упаковке

ШУМНОСТИ/ВИБРАЦИИ

- При измерении в соответствии со стандартом EN 60745 уровень звукового давления для этого инструмента составляет 92 дБ (А) и уровень звуковой мощности - 103 дБ (А) (стандартное отклонение: 3 дБ), и вибрации - * м/с² (векторная сумма трех направлений; недоверенность К = 1,5 м/с²)
* при зачистке 8,8 м/с²
* при резке с помощью погружного пильного полотна 13,9 м/с²
* при резке с помощью сегментированного пильного полотна 7,2 м/с²
- Уровень вибрации был измерен в соответствии со стандартизированным испытанием, содержащимся в EN 60745; данная характеристика может использоваться для сравнения одного инструмента с другим, а также для предварительной оценки

воздействия вибрации при использовании данного инструмента для указанных целей

- при использовании инструмента в других целях или с другими/неисправными вспомогательными приспособлениями уровень воздействия вибрации может значительно **повышаться**
 - в периоды, когда инструмент отключен или функционирует без фактического выполнения работы, уровень воздействия вибрации может значительно **снижаться**
- ! защищайте себя от воздействия вибрации, поддерживая инструмент и его вспомогательные приспособления в исправном состоянии, поддерживая руки в тепле, а также правильно организуя свой рабочий процесс**

UA

Багатофункціональний інструмент

1470

ВСТУП

- Цей інструмент призначений для розпилювання та розрізання деревини, пластику, штукатурки, металів та м'якої облицювальної плитки, а також для сухого шліфування поверхонь невеликої площі
- Внаслідок використання колісного приводу робоча насадка виконує 22000 коливань за хвилину з амплітудою 3°, завдяки чому даний інструмент ідеально підходить для обробки крайок, вузьких ділянок та інших важкодоступних місць
- Цей інструмент не придатний для промислового використання
- Для даного інструмента підходять більшість насадок для універсальних інструментів, включно з наявними у продажу насадками BOSCH OIS (3)
- Прочитайте і збережіть цю Інструкцію з експлуатації (4)

ТЕХНІЧНІ ДАНІ (1)

ЕЛЕМЕНТИ ІНСТРУМЕНТА (2)

- A** Закріпний гвинт з шайбою
- B** Шестигранний ключ
- C** Абразивна накладка
- D** Механізм видалення пилу
- E** Вимикач живлення
- F** Колесо вибору швидкості
- G** Вентиляційні отвори
- H** Сегментне лезо пили
- J** Лезо пили для обробки врізанням (дерево, 20 мм)
- K** Наждачний лист (грубозернистий)
- L** Наждачний лист (дрібнозернистий)
- M** Обмежувач глибини *

* СТАНДАРТНО В КОМПЛЕКТ НЕ ВКЛЮЧАЄТЬСЯ

БЕЗПЕКА

ЗАГАЛЬНІ ВКАЗІВКИ З ТЕХНІКИ БЕЗПЕКИ

⚠ УВАГА! Прочитайте всі попередження і вказівки. Недодержання попереджень і вказівок може призводити до удару електричним струмом, пожежі та/або серйозних травм. **Добре зберігайте на майбутнє ці попередження і вказівки.** Під поняттям "електроприлад" в цих попередженнях мається на увазі електроприлад, що працює від мережі (з електрокабелем) або від акумуляторної батареї (без електрокабелю).

1) БЕЗПЕКА НА РОБОЧОМУ МІСЦІ

- a) **Примайте своє робоче місце в чистоті та прибирайте його.** Безлад або погане освітлення на робочому місці можуть призводити до нещасних випадків.
- b) **Не працюйте з приладом у середовищі, де існує небезпека вибуху внаслідок присутності горючих рідин, газів або пилу.** Електроприлади можуть породжувати іскри, від яких може займатися пил або пари.
- c) **Під час працювання з приладом не підпускайте до робочого місця дітей та інших людей.** Ви можете втратити контроль над приладом, якщо Ваша увага буде відвернута.

2) ЕЛЕКТРИЧНА БЕЗПЕКА

- a) **Штепсель приладу повинен пасувати до розетки. Не дозволяється що-небудь міняти в штепселі.** Для роботи з приладами, що мають захисне заземлення, не використовуйте адаптери. Використання оригінального штепселя та належної розетки зменшує ризик удару електричним струмом.
- b) **Уникайте контакту частей тіла із заземленими поверхнями, як напр., трубами, батареями опалення, печами та холодильниками.** Коли Ваше тіло заземлене, існує збільшена небезпека удару електричним струмом.
- c) **Захищайте прилад від дощу та вологи.** Попадання води в електроінструмент збільшує ризик удару електричним струмом.
- d) **Не використовуйте кабель для перенесення приладу, підвішування або витягування штепселя з розетки. Захищайте кабель від жару, олії, гострих країв та деталей приладу, що рухаються.** Пошкоджений або закручений кабель збільшує ризик удару електричним струмом.
- e) **Для зовнішніх робіт обов'язково використовуйте лише такий подовжувач, що допущений для зовнішніх робіт.** Використання подовжувача, що розрахований на зовнішні роботи, зменшує ризик удару електричним струмом.
- f) **Якщо не можна запобігти використанню електроприладу у вологому середовищі, використовуйте пристрій захисту від витоків в землю.** Використання зрестрою захисту від витоків в землю зменшує ризик удару електричним струмом.

3) БЕЗПЕКА ЛЮДЕЙ

- a) **Будьте уважними, слідкуйте за тим, що Ви робите, та розсудливо поведіться під час роботи з електроприладом. Не користуйтеся**

приладом, якщо Ви стомлені або знаходитесь під дією наркотиків, спиртних напоїв або лік. Мить неуважності при користуванні приладом може призводити до серйозних травм.

- b) **Вдягайте особисте захисне спорядження та обов'язково вдягайте захисні окуляри.** Вдягання особистого захисного спорядження, як напр., - в залежності від виду робіт - захисної маски, спецвзуття, що не ковзається, каски або навушників, зменшує ризик травм.
 - c) **Уникайте ненавмисного вмикання. Перш ніж вмикати електроприлад в електромережу або встромляти акумуляторну батарею, брати його в руки або переносити, впевніться в тому, що електроприлад вимкнений.** Тримання пальця на вимикачі під час перенесення електроприладу або встромляння в розетку увімкненого приладу може призводити до травм.
 - d) **Перед тим, як вмикати прилад, приберіть налагоджувальні інструменти та гайковий ключ.** Знаходження налагоджувального інструмента або ключа в деталі, що обертається, може призводити до травм.
 - e) **Не переоцінюйте себе. Зберігайте стійке положення та завжди зберігайте рівновагу.** Це дозволить Вам краще зберігати контроль над приладом у несподіваних ситуаціях.
 - f) **Вдягайте придатний одяг. Не вдягайте просторий одяг та прикраси. Не підставляйте волосся, одяг та рукавиці близько до деталей приладу, що рухаються.** Просторий одяг, прикраси та довге волосся можуть попадати в деталі, що рухаються.
 - g) **Якщо існує можливість монтувати пилівідсмоктувальні або пилоуловлювальні пристрої, переконайтеся, щоб вони були добре під'єднані та правильно використовувалися.** Використання пилівідсмоктувального пристрою може зменшити небезпеки, зумовлені пилом.
- ### 4) ПРАВИЛЬНЕ ПОВЕДІННЯ ТА КОРИСТУВАННЯ ЕЛЕКТРОПРИЛАДАМИ
- a) **Не перевантажуйте прилад. Використовуйте такий прилад, що спеціально призначений для певної роботи.** З придатним приладом Ви з меншим ризиком отримуєте кращі результати роботи, якщо будете працювати в зазначеному діапазоні потужності.
 - b) **Не користуйтеся приладом з пошкодженим вимикачем.** Прилад, який не можна увімкнути або вимкнути, є небезпечним і його треба відремонтувати.
 - c) **Перед тим, як регулювати що-небудь на приладі, міняйте приладдя або хвати прилад, витягніть штепсель із розетки та/або витягніть акумуляторну батарею.** Ці попереджувальні заходи з техніки безпеки зменшують ризик ненавмисного запуску приладу.
 - d) **Зберігайте електроприлади, якими Ви саме не користуєтесь, далеко від дітей. Не дозволяйте користуватися електроприладом особам, що не знайомі з його роботою або не читали ці**

- вказівки. У разі застосування недосвідченими особами прилади несуть в собі небезпеку.
- e) **Старанно доглядайте за приладом. Перевірте, щоб рухомі деталі приладу бездоганно працювали та не заїдали, не були поламаними або настільки пошкодженими, щоб це могло вплинути на функціонування приладу. Пошкоджені деталі треба відремонтувати в авторизованій майстерні, перш ніж ними можна знову користуватися.** Велика кількість нещасних випадків спричиняється поганим доглядом за електроприладами.
- f) **Тримайте різальні інструменти добре нагостреними та в чистоті.** Старанно доглянуті різальні інструменти з гострим різальним краєм менше застряють та їх легше вести.
- g) **Використовуйте електроприлади, приладдя до них, робочі інструменти т.і. відповідно до цих вказівок. Беріть до уваги при цьому умови роботи та специфіку виконуваної роботи.** Використання електроприладів для робіт, для яких вони не передбачені, може призводити до небезпечних ситуацій.
- 5) **СЕРВІС**
- a) **Віддавайте свій прилад на ремонт лише кваліфікованим фахівцям та лише з використанням оригінальних запчастин.** Це забезпечить безпечність приладу на довгий час.

ПРАВИЛА ТЕХНІКИ БЕЗПЕКИ ДЛЯ БАГАТОФУНКЦІОНАЛЬНИХ ІНСТРУМЕНТІВ

ЗАГАЛЬНЕ

- Цей інструмент не можна використовувати особам віком до 16 років
- Використовуйте повністю розгорнений шнур подовжувача, який може витримувати навантаження в 16 Ампер
- Перед роботою перевірте відповідність струму в мережі із струмом, позначені на інструменті (інструменти, розраховані на 230В або 240В, також можуть підключатися до мережі 220В)
- Не допускайте пошкоджень, які можуть нанести шурупи, цвяхи і інші елементи вашому виробу; видаляйте їх перед початком роботи
- **Зафіксуйте оброблювану деталь** (оброблювана деталь, зафіксована за допомогою затискних пристроїв або лещат, закріплюється краще, ніж вручну)
- **Не обробляйте матеріали, що містять асбест** (асбест вважається канцерогенним)
- **Перед регулюванням або заміною приладдя обов'язково вийміть вилку із сіткової розетки**
- При роботі завжди міцно тримайте інструмент двома руками та займайте надійну позу
- Не дозволяйте шнуру живлення стикатися з рухомими частинами інструменту; завжди викладайте шнур за задньою частиною інструменту
- **Під час заміни насадок одягайте захисні рукавички** (торкання до гострих насадок може спричинити травми)
- У разі електричної або механічної несправності, негайно відключіть інструмент і вимкніть з розетки

- Якщо шнур пошкоджений або прорізаний при роботі, не доторкайтеся до нього і негайно витягніть його з розетки
- Ніколи не використовуйте інструмент з пошкодженим шнуром; його повинен замінити кваліфікований фахівець
- Коли ви закінчили роботу з інструментом, вимкніть мотор і переконайтеся, що всі рухомі частини повністю зупинилися
ПІД ЧАС РОЗПИЛЮВАННЯ/РІЗАННЯ
- **При роботах, коли робочий інструмент може зачепити захвану електропроводну або власний шнур живлення, тримайте електроінструмент за ізольовані рукоятки** (зачеплення проводки, що знаходиться під напругою, може заряджувати також і металеві частини електроінструмента та призводити до удару електричним струмом)
- **Тримайте руки подалі від зони виконання різання;** під час різання у жодному разі не торкайтеся низу матеріалу, що розрізається
- **Використовуйте придатні пошуківі прилади для знаходження захованих в будівлі труб та кабелів або зверніться за допомогою в місцеве підприємство електро-, газо- та водопостачання** (зачеплення електропроводки може призводити до пожежі та удару електричним струмом; зачеплення газової труби може призводити до вибуху; зачеплення водопровідної труби може завдати шкоду матеріальним цінностям або призводити до удару електричним струмом)
- Не використовуйте тупі, деформовані та поламани пилки
ПІД ЧАС АБРАЗИВНОГО ШЛІФУВАННЯ
- Пил від таких матеріалів, як свинцовоутримуюча фарба, деякі породи дерева, мінерали і метал, може бути шкідливим (контакт із таким пилом або його вдихання може стати причиною виникнення в оператора або осіб, що перебувають поруч, алергійних реакцій і/або респіраторних захворювань); **надягайте респіратор і працюйте з пиловидальючим пристроєм під час увімкнення інструмента**
- Деякі види пилу класифікуються як канцерогенні (наприклад, дубовий або буковий пил), особливо в сполученні з добавками для кондиціонування деревини; **надягайте респіратор і працюйте з пиловидальючим пристроєм під час увімкнення інструмента**
- Слідуйте інструкціям до роботи з матеріалами, продукуючими пил
- **Використовуйте даний інструмент тільки для сухого шліфування** (потрапляння води всередину інструмента підвищує ризик ураження електрострумом)
- Не торкайтеся до рухомого наждачного листа
- Не використовуйте зношені, порвані або засмічені наждачні листи
- При обробці металу можуть з'являтися іскри; не використовуйте пиლოსос і видаляйте займісті матеріали з робочої зони

ВИКОРИСТАННЯ

- Заміна приладдя ⑤
 - ! **вийняти вилку з розетки**
 - знімайте/встановлюйте необхідну насадку згідно з інструкціями на малюнку
 - переконайтеся, що передбачені на насадці отвори входять в виступи голівки інструменту (в усіх можливих заціплювальних положеннях)
 - встановлюйте насадку втисненням центром вниз
 - розкручіть/затягуйте гвинт А шестигранним ключем В
 - **перевірте, що насадна сидить туго** (неправильно та ненадійно закріплена насадка може ослабитися під час експлуатації та призвести до виникнення небезпечних ситуацій)
- Установка наждачного листа ⑥
 - вибійте пил з матеріалу VELCRO на абразивній накладці, С ② перш ніж встановлювати наждачний лист
 - встановіть наждачний лист VELCRO як показано на малюнку
 - ! **для засмоктування пилу потрібні перфоровані наждачні листи**
 - ! **перфорація в наждачному листі повинна співпадати з перфорацією в робочій пластині**
 - ! **своєчасно замінійте наждачні листи**
 - ! **завжди повністю закривайте робочу поверхню VELCRO наждачним папером**
- Прибирання обрізків/стружки ⑦
 - встановлюйте механізм видалення пилу D згідно з інструкціями на малюнку
 - під'єднайте пилосос
 - ! **не використовуйте механізм видалення пилу/пилосос при шліфуванні металу**
 - регулярно очищуйте механізм видалення пилу D для кращого пилословлювання
- Вмикання/вимикання
 - вкл/викл. інструмент поставивши вимикач Е ② у положення "I"/"O"
 - ! **перш ніж приладдя торкнеться оброблюваного виробу, інструмент повинен набрати повні оберти**
 - ! **перш ніж вимкнути інструмент, його треба відвести від оброблюваного виробу**
- Відрегулюйте робочу швидкість ⑧
 - колесом для регулювання F необхідну частоту коливань можна регулювати від низької (1) до високої (6) (також під час роботи)
 - оптимальна робоча швидкість залежить від матеріалу і може визначитися шляхом практичних випробувань
- Утримування і робота інструментом
 - ! **під час роботи, завжди тримайте інструмент за частини захвату сірого кольору ⑨**
 - тримайте вентиляційні отвори G ② незакритими
 - уникайте надмірного натиску на інструмент (сильний натиск спричиняє надмірний нагрів пилки та може призвести до її передчасного зношування)
- Обмежувач глибини (DEPTH STOP) (не включається в стандартний комплект поставки) ⑩

ПОРАДИ ПО ВИКОРИСТАННЮ

- Використовуйте сегментне лезо пили Н ② для розпилювання та врізного пиляння деревини, штукатурки, гіпсу та пластику (також для пиляння біля країв, в кутках та інших важкодоступних місцях)
- Використовуйте лезо пили для обробки врізанням J ② для розпилювання та глибокого врізного пиляння деревини, штукатурки, гіпсу та м'якого пластику (також для пиляння біля країв, в кутках та інших важкодоступних місцях)
- Див додаткову інформацію на www.skil.com

ДОГЛЯД/ОБСЛУГОВУВАННЯ

- Цей інструмент не придатний для промислового використання
- Завжди тримайте інструмент та його шнур в чистоті (особливо вентиляційні отвори G ②)
 - ! **перед чисткою інструменту необхідно роз'єднати штепсельний роз'єм**
- Якщо незважаючи на ретельну технологію виготовлення і перевірки інструмент все-таки вийде з ладу, його ремонт дозволяється виконувати лише в авторизованій сервісній майстерні для електроприладів SKIL
 - надішліть **нерозібраний** інструмент разом з доказом купівлі до Вашого дилера або до найближчого центру обслуговування SKIL (адреси, а також діаграма обслуговування пристрою, подаються на сайті www.skil.com)

ОХОРОНА НАВКОЛИШНЬОЇ СЕРЕДИ

- **Не викидайте електроінструмент, належності та упакунку разом зі звичайним сміттям** (тільки для країн ЄС)
 - відповідно до європейської директиви 2012/19/ЄС щодо утилізації старих електричних та електронних приладів, в залежності з місцевим законодавством, електроінструмент, який перебував в експлуатації повинен бути утилізований окремо, безпечним для навколишнього середовища шляхом
 - малюнок ⑪ нагадає вам про це

ДЕКЛАРАЦІЯ ПРО ВІДПОВІДНІСТЬ СТАНДАРТАМ С Є

Багатофункціональний інструмент 1470

Технічні дані ①

- Ми заявляємо під нашу виключну відповідальність, що описаний в "Технічні дані" продукт відповідає таким нормам або нормативним документам: EN 60745, EN 61000, EN 55014 у відповідності до положень директив 2014/30/ЄС, 2006/42/ЄГ, 2011/65/ЄС

- **Τεχνικοί документи в:** SKIL Europe BV (PT-SEU/ENG1), 4825 BD Breda, NL

Marijn van der Hoofden
Operations & Engineering

Olaf Dijkgraaf
Approval Manager




SKIL Europe BV, 4825 BD Breda, NL

29.07.2014

ШУМ/ВІБРАЦІЯ

- Зміряний відповідно до EN 60745 рівень тиску звуку даного інструменту 92 дБ(А) і потужність звуку 103 дБ(А) (стандартне відхилення: 3 дБ), і вібрація * м/с² (векторна сума трьох напрямків; похибка K = 1,5 м/с²)
 - * шліфування 8,8 м/с²
 - * при розпилюванні за допомогою леза пили для обробки врізанням 13,9 м/с²
 - * при розпилюванні за допомогою сегментного леза пили 7,2 м/с²
 - Рівень вібрації було виміряно у відповідності зі стандартизованим випробуванням, що міститься в EN 60745; дана характеристика може використовуватися для порівняння одного інструмента з іншим, а також для попередньої оцінки впливу вібрації під час застосування даного інструмента для вказаних цілей
 - при використанні інструмента в інших цілях або з іншими/несправними допоміжними пристосуваннями рівень впливу вібрації може значно **підвищуватися**
 - у періоди, коли інструмент вимикнений або функціонує без фактичного виконання роботи, рівень впливу вібрації може значно **знизуватися**
- ! захищайте себе від впливу вібрації, підтримуючи інструмент і його допоміжні пристосування в справному стані, підтримуючи руки в теплі, а також правильно організовуючи свій робочий процес**

GR

Εργαλείο πολλαπλής χρήσης 1470

ΕΙΣΑΓΩΓΗ

- Αυτό το εργαλείο προορίζεται για πριόνισμα και κόψιμο σε ξύλο, πλαστικά, σοβά, μέταλλα και μαλακά πλακάκια τοίχου, καθώβς και για το στεγνό τρίψιμο μικρών επιφανειών
- Κατά την ταλαντωτική κίνηση, το εξάρτημα κάνει μέχρι 22000 ταλαντώσεις το λεπτό με πλάτος 3°, και κατά συνέπεια είναι κατάλληλο για εργασίες ακρίβειας σε ακμές, γωνίες και άλλα δυσπρόσιτα μέρη
- Αυτό το εργαλείο δεν προορίζεται για επαγγελματική χρήση
- Αυτό το εργαλείο δέχεται να περισσότερα αξεσουάρ από εκείνα που συνήθως διατίθενται για πολυεργαλεία,

συμπεριλαμβανομένων των αξεσουάρ της BOSCH OIS ③

- Διαβάστε και φυλάξτε αυτές τις οδηγίες χρήσεως ④

ΤΕΧΝΙΚΑ ΧΑΡΑΚΤΗΡΙΣΤΙΚΑ ①

ΜΕΡΗ ΤΟΥ ΕΡΓΑΛΕΙΟΥ ②

- A Βίδα στερέωσης με ροδέλα
- B Εξάγωνο κλειδί
- C Πέλμα λείανσης
- D Μηχανισμός απομάκρυνσης σκόνης
- E Διακόπτης εκκίνησης/στάσης
- F Τροχήσκος επιλογής ταχύτητας
- G Σχισμές αερισμού
- H Διαιρούμενη πριονόλαμα
- J Πριονόλαμα βυθιζόμενης κοπής (ξύλο, 20 mm)
- K Φύλλο γυαλόχαρτο (χοντρό)
- L Φύλλο γυαλόχαρτο (ψιλό)
- M Εξάρτημα ρύθμισης βάθους *

* ΔΕΝ ΠΕΡΙΛΑΜΒΑΝΕΤΑΙ ΣΤΗ ΣΤΑΝΤΑΡ ΣΥΣΚΕΥΑΣΙΑ

ΑΣΦΑΛΕΙΑ

ΓΕΝΙΚΕΣ ΥΠΟΔΕΙΞΕΙΣ ΑΣΦΑΛΕΙΑΣ

⚠ ΠΡΟΕΙΔΟΠΟΙΗΣΗ! Διαβάστε όλες τις προειδοποιητικές υποδείξεις. Αμέλειες κατά την τήρηση των προειδοποιητικών υποδείξεων μπορεί να προκαλέσουν ηλεκτροπληξία, κίνδυνο πυρκαγιάς ή/και σοβαρούς τραυματισμούς. **Φυλάξτε όλες τις προειδοποιητικές υποδείξεις και οδηγίες για κάθε μελλοντική χρήση.** Ο ορισμός "ηλεκτρικό εργαλείο" που χρησιμοποιείται στις προειδοποιητικές υποδείξεις αναφέρεται σε ηλεκτρικά εργαλεία που τροφοδοτούνται από το ηλεκτρικό δίκτυο (με ηλεκτρικό καλώδιο) καθώς και σε ηλεκτρικά εργαλεία που τροφοδοτούνται από μπαταρία (χωρίς ηλεκτρικό καλώδιο).

1) ΑΣΦΑΛΕΙΑ ΣΤΟ ΧΩΡΟ ΕΡΓΑΣΙΑΣ

- a) Διατηρείτε το χώρο που εργάζεσθε καθαρό και καλά φωτισμένο. Αταξία στο χώρο που εργάζεσθε ή μη φωτισμένες περιοχές εργασίας μπορεί να οδηγήσουν σε ατυχήματα.
- b) Μην εργάζεσθε με το ηλεκτρικό εργαλείο σε περιβάλλον που υπάρχει κίνδυνος έκρηξης, στο οποίο υπάρχουν εύφλεκτα υγρά, αέρια ή σκόνη. Τα ηλεκτρικά εργαλεία μπορεί να δημιουργήσουν σπινθηρισμό ο οποίος μπορεί να αναφλέξει τη σκόνη ή τις αναθυμιάσεις.
- c) Όταν χρησιμοποιείτε το ηλεκτρικό εργαλείο κρατάτε τα παιδιά κι άλλα τυχόν πρόσωπα μακριά από το χώρο που εργάζεσθε. Σε περίπτωση που άλλα άτομα αποσπάσουν την προσοχή σας μπορεί να χάσετε τον έλεγχο του μηχανήματος.

2) ΗΛΕΚΤΡΙΚΗ ΑΣΦΑΛΕΙΑ

- a) Το φως του καλωδίου του ηλεκτρικού εργαλείου πρέπει να ταираίξει στην αντίστοιχη πρίζα. Δεν επιτρέπεται με κανένα τρόπο η μετασκευή του φως. Μην χρησιμοποιείτε προσαρμοστικά φως σε συνδυασμό με ηλεκτρικά εργαλεία συνδεδεμένα με

- τη γη (γειωμένα). Αθικτα φικ και κατάλληλες πρίζεσ μειώνουν τον κίνδυνο ηλεκτροπληξίασ.
- b) **Αποφεύγετε την επαφή του σώματοσ σασ με γειωμένεσ επιφάνειεσ όπωσ σωλήνεσ, θερμαντικά σώματα (καλοριφέρ), κουζίνεσ και ψυγεία.** Όταν το σώμα σασ είναι γειωμένο αυξάνεται ο κίνδυνοσ ηλεκτροπληξίασ.
 - c) **Μην εκθέτετε το ηλεκτρικό εργαλείο στη βροχή ή την υγρασία.** Η διείσδυση νερού στο ηλεκτρικό εργαλείο αυξάνει τον κίνδυνο ηλεκτροπληξίασ.
 - d) **Μη χρησιμοποιείτε το καλώδιο για να μεταφέρετε ή ν' αναρτήσετε το ηλεκτρικό εργαλείο ή για να βγάλετε το φικ από την πρίζα.** Κρατάτε το καλώδιο μακριά από υψηλέσ θερμοκρασίεσ, λάδια, κοφτερέσ ακμέσ η κινούμενα εξαρτήματα. Τυχόν χαλασμένα ή υπερδεμένα καλώδια αυξάνουν τον κίνδυνο ηλεκτροπληξίασ.
 - e) **Όταν εργάζεσθε με το ηλεκτρικό εργαλείο στο ύπαιθρο χρησιμοποιείτε πάντοτε καλώδια επιμήκυνσησ (μπαλαντάζεσ) που έχουν εγκριθεί για χρήση σε εξωτερικόσ χώρουσ. Η χρήση καλωδίων επιμήκυνσησ εγκριμένων για εργασία σε εξωτερικόσ χώρουσ μειώνει τον κίνδυνο ηλεκτροπληξίασ.**
 - f) **Όταν η χρήση του ηλεκτρικού εργαλείου σε υγρό περιβάλλον είναι αναπόφευκτη, τότε χρησιμοποιήστε έναν προστατευτικό διακόπτη διαρροήσ. Η χρήση ενός προστατευτικού διακόπτη διαρροήσ ελαττώνει τον κίνδυνο ηλεκτροπληξίασ.**

3) ΑΣΦΑΛΕΙΑ ΠΡΟΣΩΠΩΝ

- a) **Να είσθε πάντοτε προσεκτικόσ/προσεκτική, να δίνετε προσοχή στην εργασία που κάνετε και να χειριζέσθε το ηλεκτρικό εργαλείο με περίσκεψη. Μην κάνετε χρήση του ηλεκτρικού εργαλείου όταν είσθε κουρασμένοσ/κουρασμένη ή όταν βρισκόσθε υπό την επιρροή ναρκωτικών, οιοπνεύματοσ ή φαρμάκων.** Μια στιγμήαία απροσεξία κατά το χειρισμό του ηλεκτρικού εργαλείου μπορεί να οδηγήσει σε σοβαρούσ τραυματισμούσ.
- b) **Φοράτε προστατευτικά ενδύματα και πάντοτε προστατευτικά γυαλιά.** Όταν φοράτε ενδύματα ασφαλείασ, ανάλογα με το υπό χρήση ηλεκτρικό εργαλείο, όπωσ προσωπίδα προστασίασ από σκόνη, αντιοιολιστικά παπούτσια ασφαλείασ, κράνη ή ωτασπίδεσ, μειώνεται ο κίνδυνοσ τραυματισμών.
- c) **Αποφεύγετε την αθέλητη εκκίνηση. Βεβαιωθείτε ότι το ηλεκτρικό εργαλείο έχει αποσυνχευτεί πριν το συνδέσετε με το ηλεκτρικό δίκτυο ή/και με την μπαταρία καθώς και πριν το παραλάβετε ή το μεταφέρετε.** Όταν μεταφέρετε το ηλεκτρικό εργαλείο έχοντασ το δάχτυλό σασ στο διακόπτη ή όταν συνδέσετε το μηχάνημα με την πηγή ρεύματοσ όταν αυτό είναι ακόμη συζευγμένο, τότε δημιουργείται κίνδυνοσ τραυματισμού.
- d) **Αφαιρείτε από τα ηλεκτρικά εργαλεία πριν τα θέσετε σε λειτουργία τυχόν συναρμολογημένα χρησιμοποιήσιμα εργαλεία ή κλειδιά.** Ενα εργαλείο ή κλειδί συναρμολογημένο στο περιστρεφόμενο εξάρτημα ενός ηλεκτρικού εργαλείου μπορεί να οδηγήσει σε τραυματισμούσ.
- e) **Μην υπερκτιμάτε τον εαυτό σασ. Φροντίζετε για την ασφαλή στήριξη του σώματοσ σασ και**

διατηρείτε πάντοτε την ισορροπία σασ. Αυτό σασ επιτρέπει τον καλύτερο έλεγχο το ηλεκτρικού εργαλείου σε περιπτώσεισ απροσδόκητων καταστάσεων.

- f) **Φοράτε κατάλληλη ενδυμασία εργασίασ. Μη φοράτε φαρδιά ενδύματα ή κοσμήματα. Κρατάτε τα μαλλιά σασ, τα ενδύματα σασ και τα γάντια σασ μακριά από τα κινούμενα εξαρτήματα.** Χαλαρή ενδυμασία, κοσμήματα και μακριά μαλλιά μπορεί να εμπλακούν στα κινούμενα εξαρτήματα.
 - g) **Αν υπάρχει η δυνατότητα συναρμολόγησής διατάξεων αναρρόφησησ ή συλλογήσ σκόνησ, βεβαιωθείτε αν οι διατάξεισ αυτέσ είναι συνδεμένεσ καθώς κι αν χρησιμοποιούνται σωστά.** Η χρήση μιασ αναρρόφησησ σκόνησ μπορεί να ελαττώσει τον κίνδυνο που προκαλείται από τη σκόνη.
- #### 4) ΧΡΗΣΗ ΚΙ ΕΠΙΜΕΛΗΣ ΧΕΙΡΙΣΜΟΣ ΤΩΝ ΗΛΕΚΤΡΙΚΩΝ ΕΡΓΑΛΕΙΩΝ
- a) **Μην υπερφορτώνετε το ηλεκτρικό εργαλείο.** Χρησιμοποιείτε για την εκάστοτε εργασία σασ το ηλεκτρικό εργαλείο που προορίζεται γι' αυτήν. Με το κατάλληλο ηλεκτρικό εργαλείο εργάζεσθε καλύτερα και ασφαλέστερα στην αναφερόμενη περιοχή ισχύουσ.
 - b) **Μη χρησιμοποιήσετε ποτέ ένα ηλεκτρικό εργαλείο του οποίου ο διακόπτησ ON/OFF είναι χαλασμένοσ.** Ενα ηλεκτρικό εργαλείο το οποίο δεν μπορεί να τεθεί πλέον σε ή εκτόσ λειτουργίασ είναι επικίνδυνο και πρέπει να επισκευαστεί.
 - c) **Βγάδετε το φικ από την πρίζα και/ή αφαιρέστε την μπαταρία πριν διεξάγετε στο εργαλείο μια οποιαδήποτε εργασία ρύθμισησ, πριν αλλάξετε ένα εξάρτημα ή όταν πρόκειται να διαφυλάξετε/να αποθηκεύσετε το εργαλείο.** Αυτά τα προληπτικά μέτρα ασφαλείασ μειώνουν τον κίνδυνο από τυχόν αθέλητη εκκίνηση του ηλεκτρικού εργαλείου.
 - d) **Διαφυλάγετε τα ηλεκτρικά εργαλεία που δε χρησιμοποιείτε μακριά από παιδιά. Μην αφήνετε άτομα που δεν είναι εξοικειωμένα με το ηλεκτρικό εργαλείο ή δεν έχουν διαβάσει αυτέσ τισ οδηγίεσ χρήσησ να το χρησιμοποιήσουσ.** Τα ηλεκτρικά εργαλεία είναι επικίνδυνα όταν χρησιμοποιούνται από άπειρα πρόσωπα.
 - e) **Να περιπολιώτε προσεκτικά το ηλεκτρικό σασ εργαλείο και να ελέγχετε, αν τα κινούμενα τμήματα του λειτουργούν άψωχα και δεν μπλοκάρουν, ή μήπωσ έχουν χαλασεί ή σπάσει εξαρτήματα, τα οποία επηρεάζουν έτσι αρνητικά τον τρόπο λειτουργίασ του ηλεκτρικού εργαλείου. Δώστε τυχόν χαλασμένα εξαρτήματα του ηλεκτρικού εργαλείου για επισκευή πριν το χρησιμοποιήσετε πάλι.** Η ανεπαρκήσ συντήρηση των ηλεκτρικών εργαλείων αποτελεί αιτία πολλών ατυχημάτων.
 - f) **Διατηρείτε τα κοπτικά εργαλεία κοφτερά και καθαρά.** Τα κοπτικά εργαλεία που συντηρούνται με προσοχή μπορούν να οδηγηθούν εύκολα και να ελεγχθούν καλύτερα.
 - g) **Χρησιμοποιείτε τα ηλεκτρικά εργαλεία, τα εξαρτήματα, τα χρησιμοποιήσιμα εργαλεία κτλ. σύμφωνα με τισ παρούσσεσ οδηγίεσ καθώς. Λαμβάνετε ταυτόχρονα υπόψημ σασ τισ συνθήκεσ εργασίασ και την υπό εκτέλεση εργασία. Η χρήση**

του ηλεκτρικού εργαλείου για άλλες εκτός από τις προβλεπόμενες εργασίες μπορεί να δημιουργήσει επικίνδυνες καταστάσεις.

5) SERVICE

- a) **Δίνετε το ηλεκτρικό σας εργαλείο για επισκευή από άριστα ειδικευμένο προσωπικό, μόνο με γνήσια ανταλλακτικά.** Έτσι εξασφαλίζεται η διατήρηση της ασφάλειας του ηλεκτρικού εργαλείου.

ΥΠΟΔΕΙΞΙΣ ΑΣΦΑΛΕΙΑΣ ΓΙΑ ΕΡΓΑΛΕΙΑ ΠΟΛΛΑΠΛΗΣ ΧΡΗΣΗΣ

ΓΕΝΙΚΑ

- Αυτό το εργαλείο δεν πρέπει να χρησιμοποιείται από άτομα κάτω των 16 ετών
- Χρησιμοποιείτε ασφαλείς, τελειώς ξετυλιγμένες προεκτάσεις καλωδίου με χωρητικότητα 16 Amps
- Βεβαιωθείτε ότι η τάση του παρεχόμενου ρεύματος είναι ίδια με την τάση που υποδεικνύεται στην πινακίδα δεδομένων του εργαλείου (εργαλεία που φέρουν την ένδειξη 230V ή 240V μπορούν να συνδεθούν επίσης σε πρίζα 220V)
- Προφυλάξτε το εργαλείο από τυχόν φθορές από ξένα σώματα (βίδες, καρφιά ή άλλα) που ίσως είναι μέσα στο κομμάτι που θα δουλέψετε - αφαιρέστε τα πριν αρχίσετε την εργασία
- **Στερεώστε το κομμάτι εργασίας** (το κομμάτι εργασίας συγκρατείται καλύτερα με σφιγκτήρες ή σε μέγγενη παρά με το χέρι)
- **Μην κατεργάζεστε υλικά που περιέχουν αμιάντο** (το αμιάντο θεωρείται σαν καρκινογόνο υλικό)
- **Πάντα να αποσυνδέεται την πρίζα από το ηλεκτρικό δίκτυο πριν κάνετε κάποια ρύθμιση ή αλλάξετε εξάρτημα**
- Κατά την εργασία να κρατάτε πάντοτε το εργαλείο σφικτά με τα δύο χέρια και φροντίστε να στέκεστε σταθερά
- Να κρατάτε πάντα το καλώδιο μακριά από τα κινούμενα μέρη του εργαλείου σας - κρατάτε το καλώδιο προς τα πίσω, μακριά από το εργαλείο
- **Να χρησιμοποιείτε προστατευτικά γάντια κατά την αλλαγή εξαρτημάτων** (η επαφή με το εξάρτημα μπορεί να προκαλέσει τραυματισμό)
- Σε περίπτωση ηλεκτρικής ή μηχανικής δυσλειτουργίας, σταματήστε αμέσως το εργαλείο και βγάλτε το από την πρίζα
- Σε περίπτωση που υποστεί βλάβη ή κοπεί το καλώδιο κατά την εργασία, μην αγγίζετε το καλώδιο, αλλά αποσυνδέστε αμέσως το φιν από την πρίζα
- Ποτέ μη χρησιμοποιείτε το εργαλείο όταν έχει υποστεί βλάβη το καλώδιο - το καλώδιο θα πρέπει να αντικατασταθεί από έναν εξειδικευμένο τεχνίτη
- Όταν τελειώνετε την δουλειά σας και ακουμπάτε το εργαλείο στο πλάι, κλείστε τον διακόπτη και βεβαιωθείτε ότι όλα τα κινούμενα μέρη του έχουν σταματήσει εντελώς
ΚΑΤΑ ΤΟ ΠΡΙΟΝΙΣΜΑ / ΚΟΨΙΜΟ
- **Να κρατάτε το ηλεκτρικό εργαλείο από τις μονωμένες επιφάνειες συγκράτησης όταν υπάρχει κίνδυνος το κοπτικό εξάρτημα να έρθει σε επαφή με μη ορατούς ηλεκτροφόρους αγωγούς ή το ίδιο το καλώδιό του** (η επαφή με έναν ηλεκτροφόρο αγωγό μπορεί να θέσει τα μεταλλικά

μέρη του ηλεκτρικού εργαλείου επίσης υπό τάση και προκαλέσει έτσι ηλεκτροπληξία)

- **Φροντίστε τα χέρια σας να βρίσκονται μακριά από την περιοχή κοπής** - μην αγγίζετε το κάτω μέρος του υλικού για οποιονδήποτε λόγο ενώ κόβετε
- **Χρησιμοποιήστε κατάλληλες ανιχνευτικές συσκευές για να εντοπίσετε τυχόν αφανείς ροφοδοτικές γραμμές ή συμβουλευτείτε σχετικές επιχειρήσεις παροχής ενέργειας** (επαφή με ηλεκτρικές γραμμές μπορεί να οδηγήσει σε πυρκαϊά ή σε ηλεκτροπληξία - βλάβες σε αγωγούς φωταερίου (γκαζίο) μπορεί να οδηγήσουν σε έκρηξη - η διείσδυση σ' ένα σωλήνα νερού προκαλεί υλικές ζημιές ή μπορεί να προκαλέσει ηλεκτροπληξία)
- Μην χρησιμοποιείτε ραγιωμένες, παραμορφωμένες ή στοματωμένες πριονολεπίδες
ΚΑΤΑ ΤΟ ΤΡΙΨΙΜΟ
- Η σκόνη από υλικά όπως μπιγιές που περιέχουν μόλυβδο, ορισμένα είδη ξύλου, ανόργανα στοιχεία και μέταλλα μπορεί να είναι επιβλαβής (η επαφή ή η εισπνοή της σκόνης μπορεί να προκαλέσει αλλεργικές αντιδράσεις ή/και αναπνευστικές ασθένειες στον χειριστή ή σε άτομα που παρίστανται) - **να φοράτε προσωπίδα προστασίας από τη σκόνη και να εργάζεστε με συσκευή αφαίρεσης σκόνης όταν είναι δυνατό**
- Ορισμένα είδη σκόνης ταξινομούνται ως καρκινογόνα (όπως η σκόνη από τη δρυ ή την οξιά) ιδιαίτερα σε συνδυασμό με πρόσθετα συντήρησης ξύλου - **να φοράτε προσωπίδα προστασίας από τη σκόνη και να εργάζεστε με συσκευή αφαίρεσης σκόνης όταν είναι δυνατό**
- Ακολουθήστε τις σχετικές με σκόνη εθνικές διατάξεις για τα υλικά που θέλετε να εργαστείτε
- **Να χρησιμοποιείτε το εργαλείο μόνο για στεγνό τρίψιμο** (εάν διεισδύσει νερό μέσα στο εργαλείο, αυξάνεται ο κίνδυνος ηλεκτροπληξίας)
- Μην έρχεστε σε επαφή με το κινούμενο γυαλόχαρτο
- Δεν επιτρέπεται η περαιτέρω χρήση γυαλόχαρτών που έχουν φθαρεί, σχιστεί ή έχουν χάσει τη λειαντική τους ικανότητα
- Όταν λειανείτε μέταλλα παράγονται σπινθήρες - μη χρησιμοποιείτε την ηλεκτρική σκούπα και απομακρύνετε άλλα άτομα και εύφλεκτα υλικά από τον χώρο εργασίας

ΧΡΗΣΗ

- Αλλαγή εξαρτημάτων ⑤
! Βγάλτε το φιν από την πρίζα
 - αφαιρέστε/τοποθετήστε το απαιτούμενο εξάρτημα όπως εικονίζεται
 - βεβαιωθείτε ότι τα ανοίγματα του εξαρτήματος κουμπώνουν με τα πτερόγια της κεφαλής του εργαλείου (οποιαδήποτε θέση κουμπώματος είναι δυνατή)
 - τοποθετήστε το εξάρτημα με το βαθουλωμένο κέντρο να είναι στραμμένο προς τα κάτω
 - λύστε/σφίξτε τη βίδα Α με το εξάγωνο κλειδί Β
 - **ελέγξτε αν είναι σφικτή η εφαρμογή του εξαρτήματος** (τα εσφαλμένα ή χαλαρά τοποθετημένα εξάρτηματα μπορεί να απελευθερωθούν κατά τη λειτουργία και να αποτελέσουν κίνδυνο)

- Τοποθέτηση γυαλόχαρτου ⑥
 - πριν τοποθετήσετε το γυαλόχαρτο χτυπήστε λίγο τον ιστό αυτοπροόφησης του πέλματος λειάνσης C ② για να "σηκωθεί"
 - τοποθετήστε το αυτοκόλλητο γυαλόχαρτο (VELCRO) όπως δείχνει η εικόνα
 - ! το σύστημα απορρόφησης σκόνης απαιτεί τη χρήση διατήρητων φύλλων γυαλόχαρτου
 - ! η διάτρηση στο γυαλόχαρτο πρέπει να αντιστοιχεί στη διάτρηση του λειαντικού πέλματος
 - ! αλλάζετε έγκαιρα το φθαρμένα γυαλόχαρτα
 - ! χρησιμοποιείτε το εργαλείο πάντα καλύπτοντας ολόκληρη τη επιφάνεια αυτοπροόφησης με γυαλόχαρτο
- Αφαίρεση σκόνης/θραυσμάτων ⑦
 - τοποθετήστε το μηχανισμό απομάκρυνσης σκόνης D όπως εικονίζεται
 - συνδέστε την ηλεκτρική σκούπα
 - ! μη χρησιμοποιείτε το μηχανισμό απαγωγής σκόνης/την ηλεκτρική σκούπα όταν λειανείτε μέταλλα
 - να καθαρίζετε τακτικά το μηχανισμό απομάκρυνσης σκόνης D για καλύτερη συλλογή της σκόνης
- Εκκίνηση/Σταση
 - ξεκινάτε/σταματάτε το εργαλείο πιέζοντας το διακόπτη E ② στη θέση "I"/"O"
 - ! προτού το εξάρτημα κατεργασίας φθάσει το κατεργαζόμενο κομμάτι, το εργαλείο πρέπει να λειτουργεί με πλήρη ταχύτητα
 - ! προτού σταματήσετε το εργαλείο πρέπει να το ανασηκώσετε από το κατεργαζόμενο κομμάτι
- Ρύθμιση της ταχύτητας λειτουργίας ⑧
 - με τον τροχό F μπορεί να ρυθμιστεί η απαιτούμενη συχνότητα ταλάντωσης από χαμηλή (1) μέχρι υψηλή (6) (και όταν το εργαλείο είναι σε λειτουργία)
 - η βέλτιστη ταχύτητα εργασίας εξαρτάται από το υλικό και μπορεί να καθοριστεί με δοκιμές στην πράξη
- Πώς να κρατάτε και να οδηγείτε το εργαλείο
 - ! ενώ εργάζεστε, να κρατάτε πάντα το εργαλείο από τη/τις λαβή/ές με γκρι χρώμα ⑨
 - κρατάτε τις σχισμές αερισμού G ② ακάλυπτες
 - μην ασκείτε υπερβολική πίεση στο εργαλείο (η υπερβολική πίεση θα προκαλέσει υπερθέρμανση και ενδέχεται να μειώσει τη διάρκεια ζωής του εξαρτήματος)
- Εξάρτημα ρύθμισης βάθους (DEPTH STOP) (δεν περιλαμβάνεται στη στάνταρ συσκευασία) ⑩

ΟΔΗΓΙΕΣ ΕΦΑΡΜΟΓΗΣ

- Χρησιμοποιήστε τη διαφρούμενη πριονόλαμα H ② για το διαχωρισμό και για βυθιζόμενες κοπές σε ξύλο, σοβά, γύψο και πλαστικό (και για πριόνισμα κοντά σε ακμές, σε γωνίες και σε άλλα δυσπρόσιτα σημεία)
- Χρησιμοποιήστε την πριονόλαμα βυθιζόμενης κοπής J ② για διαχωρισμό και για βυθιζόμενες κοπές μεγάλου βάθους σε ξύλο, σοβά, γύψο και μαλακό πλαστικό (και για πριόνισμα κοντά σε ακμές, σε γωνίες και σε άλλα δυσπρόσιτα σημεία)
- Για περισσότερες συμβουλές δείτε www.skil.com

ΣΥΝΤΗΡΗΣΗ / ΣΕΡΒΙΣ

- Αυτό το εργαλείο δεν προορίζεται για επαγγελματική χρήση
- Κρατάτε πάντοτε το εργαλείο και το καλώδιο καθαρά (και ιδιαίτερα τις θυρίδες αερισμού G ②)
- ! αφαιρέστε την πρίζα πριν το καθάρισμα
- Αν παρ' όλες τις επιμελημένες μεθόδους κατασκευής και ελέγχου το εργαλείο σταματήσει κάποτε να λειτουργεί, τότε η επισκευή του πρέπει να ανατεθεί σ' ένα εξουσιοδοτημένο συνεργείο για ηλεκτρικά εργαλεία της SKIL
 - στείλτε το εργαλείο χωρίς να το αποσυρμολογήσετε μαζί με την απόδειξη αγοράς στο κατάστημα από το οποίο το αγοράσατε ή στον πλησιέστερο σταθμό τεχνικής εξυπηρέτησης της SKIL (θα βρείτε τις διευθύνσεις και το διάγραμμα συντήρησης του εργαλείου στην ιστοσελίδα www.skil.com)

ΠΕΡΙΒΑΛΛΟΝ

- Μην πετάτε τα ηλεκτρικά εργαλεία, εξαρτήματα και συσκευασία στον κάδο οικιακών απορριμμάτων (μόνο για τις χώρες της ΕΕ)
 - σύμφωνα με την ευρωπαϊκή οδηγία 2012/19/EK περί ηλεκτρικών και ηλεκτρονικών συσκευών και την ενσωμάτωσή της στο εθνικό δίκαιο, τα ηλεκτρικά εργαλεία πρέπει να συλλέγονται ξεχωριστά και να επιστρέφονται για ανακύκλωση με τρόπο φιλικό προς το περιβάλλον
 - το σύμβολο ⑪ θα σας το θυμίσει αυτό όταν έλθει η ώρα να πετάξετε τις

ΔΗΛΩΣΗ ΣΥΜΜΟΡΦΩΣΗΣ CE

Εργαλείο πολλαπλής χρήσης 1470

Τεχνικά χαρακτηριστικά ①

- Δηλώνουμε υπευθύνως ότι το προϊόν που περιγράφεται στα "Τεχνικά χαρακτηριστικά" εκπληρώνει τους εξής κανονισμούς ή κατασκευαστικές συστάσεις: EN 60745, EN 61000, EN 55014 σύμφωνα με τις διατάξεις των οδηγιών 2014/30/EE, 2006/42/EK, 2011/65/EE
- Τεχνικός φάκελος από: SKIL Europe BV (PT-SEU/ENG1), 4825 BD Breda, NL

Marijn van der Hoofden
Operations & Engineering

Olaf Dijkgraaf
Approval Manager

SKIL Europe BV, 4825 BD Breda, NL

29.07.2014

ΘΟΡΥΒΟ/ΚΡΑΔΑΣΜΟΥΣ

- Μετρημένη σύμφωνα με EN 60745 η στάθμη ακουστικής πίεσης αυτού του εργαλείου ανέρχεται σε 92 dB(A) και η στάθμη ηχητικής ισχύος σε 103 dB(A) (κοινή απόκλιση: 3 dB), και ο κραδασμός σε * m/s² (άθροισμα ανυσμάτων τριών κατευθύνσεων; ανασφάλεια K = 1,5 m/s²)
 - * κατά τη λείανση 8,8 m/s²
 - * κατά την κοπή με βυθιζόμενη πριονόλαμα 13,9 m/s²
 - * κατά την κοπή με διαιρούμενη πριονόλαμα 7,2 m/s²
 - Το επίπεδο παραγωγής κραδασμών έχει μετρηθεί σύμφωνα με μια τυποποιημένη δοκιμή που αναφέρεται στο πρότυπο EN 60745 - μπορεί να χρησιμοποιηθεί για τη σύγκριση ενός εργαλείου με ένα άλλο, καθώς και ως προκαταρκτική αξιολόγηση της έκθεσης στους κραδασμούς όταν το εργαλείο χρησιμοποιείται για τις εφαρμογές που αναφέρονται
 - η χρήση του εργαλείου για διαφορετικές εφαρμογές ή με διαφορετικά ή κακοσυντηρημένα εξαρτήματα μπορεί να αυξήσει σημαντικά το επίπεδο έκθεσης
 - όταν το εργαλείο είναι απενεργοποιημένο ή δουλεύει αλλά δεν εκτελεί την εργασία, το επίπεδο έκθεσης μπορεί να μειωθεί σημαντικά
- ! προστατευτείτε από τις επιδράσεις των κραδασμών συντηρώντας σωστά το εργαλείο και τα εξαρτήματά του, διατηρώντας τα χέρια σας ζεστά και οργανώνοντας τον τρόπο εργασίας σας**

RO

Sculă multifuncțională

1470

INTRODUCERE

- Această sculă este proiectată pentru tăierea și sectionarea lemnului, plasticului, ipsosului, metalelor și a faianței moi, precum și pentru șlefuirea uscată pe suprafețe mici
- Datorită mecanismului oscilant de acționare, accesoriul se rotește de până la 22000 de ori pe minut pe 3°, de aceea se poate utiliza în special pentru operațiuni precise în locuri strămte, cu muchii sau cu acces dificil
- Această sculă nu este destinată utilizării profesionale
- Această sculă acceptă accesoriile cele mai des întâlnite pentru scule multifuncționale, inclusiv accesorii existente BOSCH OIS ③
- Citiți și păstrați acest manual de instrucțiuni ④

DATE TEHNICE ①

ELEMENTELE SCULEI ②

- A Șurub de prindere cu șaibă
- B Cheia hexagonală
- C Placă de șlefuit
- D Dispozitiv de extragere a prafului
- E Întrerupător pornit/oprit
- F Rotilă pentru ajustarea vitezei
- G Fantele de ventilație
- H Pânză de ferăstrău cu dinți aplicați
- J Lamă de ferăstrău cu avans pe adâncime (lemn, 20 mm)

- K Bandă de șlefuit (granulație aspră)
- L Bandă de șlefuit (granulație fină)
- M Accesoriu pentru reglarea adâncimii *

* NU ESTE INCLUS ÎN VERSIUNEA STANDARD

SIGURANȚA

INSTRUCȚIUNI DE SIGURANȚĂ GENERALE

⚠ ATENȚIE! Citiți toate indicațiile de avertizare și instrucțiunile. Nerespectarea indicațiilor de avertizare și a instrucțiunilor poate provoca electrocutare, incendii și/sau răniri grave. **Păstrați toate indicațiile de avertizare și instrucțiunile în vederea utilizărilor viitoare.** Termenul de “sculă electrică” folosit în indicațiile de avertizare se referă la sculele electrice alimentate de la rețea (cu cablu de alimentare) și la sculele electrice cu acumulator (fără cablu de alimentare).

1) SIGURANȚA LA LOCUL DE MUNCĂ

- Păstrați-vă locul de muncă curat și bine iluminat.**
Dezordinea la locul de muncă sau existența unor sectoare de lucru neiluminate poate duce la accidente.
- Nu folosiți mașina în medii cu pericol de explozie, acolo unde există lichide, gaze sau pulberi inflamabile.** Sculele electrice pot produce scântei care să aprindă pulberile sau vaporii.
- Nu permiteți accesul copiilor și al altor persoane în timpul lucrului cu mașina.** Dacă vi se distrage atenția puteți pierde controlul asupra mașinii.

2) SECURITATE ELECTRICĂ

- Ștecherul de racordare a mașinii trebuie să se potrivească cu priza de alimentare. Nu este permisă în nici-un caz modificarea ștecherului. Nu folosiți adaptoare pentru ștechere la mașinile legate la pământ.** Ștecherele nemodificate și prizele de curent adecvate acestora reduc riscul de electrocutare.
- Evitați contactul corporal cu suprafețe legate la pământ ca țevi, radiatoare, plite electrice și frigider.** Există un risc crescut de electrocutare atunci când corpul dv. este și el legat la pământ.
- Nu lăsați mașina afară în ploaie sau în mediu umed.** Riscul de electrocutare crește atunci când într-o sculă electrică pătrunde apă.
- Nu trageți niciodată mașina de cordonul de alimentare pentru a o transporta, a o atârna sau a scoate ștecherul din priza de curent. Feriți cordonul de alimentare de căldură, ulei, muchii ascuțite sau de subsamble aflate în mișcare.** Un cordon de alimentare deteriorat sau înfășurat mărește riscul de electrocutare.
- Atunci când lucrați cu scula electrică în aer liber, folosiți numai cordoane prelungitoare autorizate pentru exterior.** Întrebuințarea unui cordon prelungitor adecvat utilizării în aer liber reduce riscul de electrocutare.
- Atunci când nu poate fi evitată utilizarea sculei electrice în mediu umed, folosiți un întrerupător de circuit cu împământare.** Folosirea unei întrerupător de circuit cu împământare reduce riscul de electrocutare.

3) SECURITATEA PERSOANELOR

- a) **Fiți vigilenți, fiți atenți la ceea ce faceți și procedați rațional atunci când lucrați cu scula electrică. Nu folosiți mașina dacă sunteți obosiți sau vă aflați sub influența drogurilor, alcoolului sau a medicamentelor.** Un moment de neatenție în timpul lucrului cu mașina poate duce la răniiri grave.
- b) **Purtați echipament de protecție personală și întotdeauna ochelari de protecție.** Folosirea echipamentelor de protecție a persoanei ca mască de protecție împotriva prafului, încălțăminte antiderapantă, cască de protecție sau aparat de protecție auditivă, în funcție de tipul și domeniul de folosire al sculei electrice, reduce riscul răniirilor.
- c) **Evitați o punere în funcțiune involuntară. Înainte de a introduce ștecherul în priză și/sau de a introduce acumulatorul în scula electrică, de a o ridica sau de a o transporta, asigurați vă că acestea este oprită.** Dacă atunci când transportați scula electrică țineți degetul pe întrerupător sau dacă porniți scula electrică înainte de a o racorda la rețeaua de curent, puteți provoca accidente.
- d) **Înainte de a pune mașina în funcțiune scoateți afară cheile reglabile și fixe.** O cheia reglabilă sau fixă, aflată într-o componentă de mașină care se rotește, poate provoca răniiri.
- e) **Nu vă supraapreciați. Asigurați-vă o poziție stabilă și păstrați-vă întotdeauna echilibrul.** Astfel veți putea controla mai bine mașina în situații neașteptate.
- f) **Purtați îmbrăcăminte de lucru adecvată. Nu purtați haine largi sau podoabe. Țineți părul, îmbrăcăminte și mânușile departe de componente aflate în mișcare.** Îmbrăcăminte largă, podoabele și părul lung pot fi prinse de piesele aflate în mișcare.
- g) **Dacă există posibilitatea montării de echipamente și instalații de aspirare și colectare a prafului, asigurați-vă că acestea sunt conectate și folosite corect.** Folosirea unei instalații de aspirare a prafului poate duce la reducerea poluării cu praf.

4) MANEVRAȚI ȘI FOLOSIȚI CU GRIJĂ SCULELE ELECTRICE

- a) **Nu suprasolicitați mașina. Folosiți scula electrică destinată executării lucrării dumneavoastră.** Cu scula electrică potrivită lucrați mai bine și mai sigur în domeniul de putere specificat.
- b) **Nu folosiți scula electrică dacă are întrerupătorul defect.** O sculă electrică, care nu mai poate fi pornită sau oprită este periculoasă și trebuie reparată.
- c) **Scoateți ștecherul afară din priză și/sau îndepărtați acumulatorul, înainte de a executa reglaje, a schimba accesoriul sau de a pune mașina la o parte.** Această măsură preventivă reduce riscul unei porniri involuntare a mașinii.
- d) **În caz de nefolosire păstrați mașinile la loc inaccesibil copiilor. Nu permiteți persoanelor care nu sunt familiarizate cu mașina sau care n-au citit prezentele instrucțiuni, să folosească mașina.** Sculele electrice sunt periculoase atunci când sunt folosite de persoane fără experiență.
- e) **Întrețineți-vă cu grijă mașina. Controlați dacă componentele mobile funcționează corect și dacă nu se blochează, dacă nu există piese defecte sau**

deteriorate, care să afecteze funcționarea mașinii. Înainte de a repune în funcțiune mașina, duceți-o la o atelier de asistență service pentru repararea sau înlocuirea pieselor deteriorate. Multe accidente s-au datorat întreținerii defectuoase a sculelor electrice.

- f) **Păstrați accesoriile bine ascuțite și curate.** Accesoriile atent întreținute, cu muchii tăietoare bine ascuțite se blochează mai greu și pot fi conduse mai ușor.
- g) **Folosiți sculele electrice, accesoriile, dispozitivele de lucru etc. conform prezentelor instrucțiuni. Țineți seama de condițiile de lucru și de lucrarea care trebuie executată.** Întrebuițarea unor scule electrice destinate altor utilizări decât cele preconizate, poate duce la situații periculoase.

5) SERVICE

- a) **Permiteți repararea mașinii dumneavoastră numai de către un specialist calificat și numai cu piese de schimb originale.** În acest mod este garantată menținerea siguranței de exploatare a mașinii.

INSTRUCȚIUNI DE SIGURANȚĂ PENTRU SCULE MULTIFUNCȚIONALE

GENERALITĂȚI

- Această sculă nu trebuie să fie folosit de persoane sub 16 ani
 - Folosiți cabluri de prelungire derulate complet, protejate/izolate, cu o capacitate de 16 amperi
 - Verificați întotdeauna dacă tensiunea de alimentare este aceeași cu tensiunea indicată pe plăcuța de identificare a sculei (sculele cu o specificație de 230V și 240V pot fi conectate și la alimentare de 220V)
 - Evitați daunele provocate de șuruburi, ținte și alte elemente din timpul lucrului; înlăturați aceste elemente înainte de a trece la acțiune
 - **Securizați piesa de lucru** (o piesă de lucru fixată cu clame sau într-o menghină este ținută mult mai în siguranță decât manual)
 - **Nu prelucrați materiale care conțin azbest** (azbestul este considerat a fi cancerigen)
 - **Decuplați întotdeauna ștecherul de la sursa de alimentare înainte de a face o reglare sau o schimbare de accesorii**
 - Când lucrați întotdeauna țineți aparatul cu ambele mâini cu fermitate și luați o poziție stabilă
 - Feriți întotdeauna cordonul de părțile în mișcare ale sculei; orientați cordonul spre spate, la distanță de sculă
 - **Purtați mănuși de protecție când schimbați accesoriul** (contactul cu accesoriul poate cauza leziuni)
 - În cazul unor defecțiuni electrice sau mecanice deconectați imediat instrumentul și scoateți șnurul din priză
 - În cazul în care cordonul este deteriorat sau secționat în timpul lucrului, nu atingeți cordonul, dar deconectați imediat de la priză
 - Nu folosiți scula atunci când cordonul sau prezintă defecțiuni; înlocuirea lor se va efectua de o persoană autorizată
 - Când puneți instrumentul la o parte, deconectați motorul și asigurați-vă că toate elementele mobile și-au oprit complet mișcarea
- CÂND TĂIAȚI/SECȚIONAȚI

- **Apucați scula electrică de suprafețele de prindere izolate atunci când executați operații în cursul cărora accesoriul poate atinge fire electrice ascunse sau propriul cablu de alimentare** (contactul un cablu aflat sub tensiune poate pune sub tensiune și componentele metalice ale sculei electrice și duce la electrocutare)
- **Țineți mâinile la distanță de zona de tăiere**; nu atingeți niciodată materialul de sub lamă sub niciun motiv în timpul tăierii
- **Folosiți detectoare adecvate pentru depistarea conductelor și conductorilor de alimentare sau apelați în acest scop la întreprinderea locală de furnizare a utilităților** (contactul cu conductorii electrice poate provoca incendii sau electrocutare; deteriorarea unei conducte de gaz poate duce la explozii; spargerea unei conducte de apă provoacă pagube materiale sau poate provoca electrocutare)
- Nu folosiți o pânza de ferăstrău care este crăpată, deformată sau tocită
CÂND ȘLEFUIȚI
- Praful rezultat din materiale precum vopseala care conține plumb, unele specii de lemn, minerale și metale poate fi periculos (contactul cu praful sau inhalarea acestuia poate provoca reacții alergice și/sau afecțiuni respiratorii operatorului sau persoanelor care stau în apropiere); **purtați o mască de praf și lucrați cu un dispozitiv de extragere a prafului când poate fi conectat**
- Anumite tipuri de praf sunt clasificate ca fiind cancerigene (cum ar fi praful de stejar și fag) în special în combinație cu aditivi pentru tratarea lemnului; **purtați o mască de praf și lucrați cu un dispozitiv de extragere a prafului când poate fi conectat**
- Respectați reglementările naționale referitoare la aspirația prafului în funcție de materialele de lucru folosite
- **Utilizați scula numai pentru șlefuire uscată** (pătrunderea apei în interiorul sculei mărește pericolul de electrocutare)
- Nu atingeți benzii mobilă de șlefuire
- Nu continuați să folosiți benzile de șlefuire uzate, rupte sau extrem de îmbăcsite
- În timpul șlefuirii de metale sunt împrăștiate scântei: nu folosiți aspiratorul și nu permiteți prezența altor persoane sau a unor materiale inflamabile în perimetrul de activitate

UTILIZAREA

- Schimbarea accesoriilor ⑤
! deconectați priza
- demontați/montați accesoriul necesar în modul indicat în imagine
- asigurați-vă că deschiderile din accesoriu se cuplează cu clemele de pe capul sculei (orice poziție de fixare posibilă)
- montați accesoriul cu depresiunea centrală orientată în jos
- slăbiți/strângeți șurubul A cu o cheie hexagonală B
- **verificați dacă accesoriul este bine fixat** (accesoriile strânse incorect sau insuficient se pot desprinde în timpul funcționării și crea pericole)

- Montarea benzii de șlefuire ⑥
- îndepărtați praful de pe sistemul de prindere VELCRO de pe placa de șlefuit C ② înainte de a monta banda de șlefuit
- montați benzii de șlefuire VELCRO conform ilustrației
- ! aspiratorul de reziduu necesită folosirea benzilor perforate de șlefuire**
- ! perforațiile de pe benzii de șlefuire trebuie să corespundă cu perforațiile din stativul de șlefuire**
- ! înlocuiți la timp benzile de șlefuire uzate**
- ! folosiți întotdeauna scula cu suprafața VELCRO acoperită în totalitate cu hârtie de șlefuit**
- Extragerea rumegușului/așchiilor ⑦
- montați dispozitivul de extragere a prafului D în modul indicat în imagine
- conectați aspiratorul
- ! nu folosiți dispozitivul de extragere a prafului/aspiratorul când șlefuiți metale**
- curățați dispozitivul de extragere a prafului D în mod regulat pentru randament optim de aspirare a prafului
- Pornit/oprit
- conectați/deconectați aparatul, prin împingerea comutatorului E ② în poziția "I"/"O"
- ! înainte ca accesoriul să atingă piesa care urmează a fi prelucrată, sculă ar trebui să funcționeze la întreaga viteză**
- ! înainte de oprirea sculei, trebuie să o ridicați de pe piesa de prelucrat**
- Reglarea vitezei de lucru ⑧
- cu roata F frecvența variabilă necesară poate fi reglată de la valoarea mică (1) la mare (6) (și în timpul funcționării)
- viteza de lucru optimă depinde de material și poate fi stabilită prin teste practice
- Mănuirea și dirijarea sculei
- ! în timp ce lucrați, țineți întotdeauna scula de zonă (zonele) de prindere colorate gri ⑨**
- mențineți fantele de ventilație G ② neacoperite
- nu aplicați o presiune prea mare asupra sculei (apăsarea exagerată are ca efect supraîncălzirea bitului și scurtarea duratei de utilizare a acestuia)
- Accesoriul pentru reglarea adâncimii (DEPTH STOP) (nu este inclus în dotarea standard) ⑩

SFATURI PENTRU UTILIZARE


- Utilizați pânza de ferăstrău cu dinți aplicați H ② pentru separare și tăieturi pe adâncime în lemn, ipsos, gips și materiale plastice (de asemenea, pentru tăiere lângă muchii, în colțuri și în alte zone cu acces dificil)
- Utilizați pânza de ferăstrău cu avans pe adâncime J ② pentru separare și tăieturi pe adâncime mare în lemn, ipsos, gips și materiale plastice moi (de asemenea, pentru tăiere lângă muchii, în colțuri și în alte zone cu acces dificil)
- A se vedea alte recomandări la www.skil.com

ÎNTREȚINERE / SERVICE

- Această sculă nu este destinată utilizării profesionale
- Păstrați aparatul și cablul curat (mai ales fantele de ventilație G ②)
- ! deconectați de la priză înainte de a curăța**

- Dacă în ciuda procedeele de fabricație și контрол ригуроазе сцла аре тотуși о пнă, репарара ацеаеа се ва ваце нумай ла а ателиер де асисенță сервисе ауторизат венуру сцле електрице SKIL
- тримитеи сцла **ин тоаталитеа луй** ку бонул де цуппăраре ла дистрибуиторул сау ла ценуру де сервисе SKIL цел май апропиат (адресе ши диаграме де сервисе се гăсеасц ла www.skil.com)

MEDIUL

- **Ну арунцаи сцле електрице, ацесори е сау амбалажеле директ ла пубеле де гунои** (нумай венуру țările дин Комунитатеа Европеанă)
- Директива Европеанă 2012/19/EC фаре референце ла модулу де арунцаре а екипаметелу електрице ши електронике ши модулу де апликаре а нормелу рн конформитате ку legislația націоналă; сцле електрице рн моменту рн царе ау атинс ун град авансат де узурă ши требуиесц арунцате, еле требуиесц колецтате сеарат ши рециклате рн-рн мод це респецтă нормеле де protecție а медиулу рнconjurăтор
- симболу  вă ва реаминте ацел lucru

DECLARAȚIE DE CONFORMITATE

Сцлă мултифункціоналă 1470

Дате теанице

- Декларăм пе проприе рăспундере цă продуслу дескриу ла параграфу "Дате теанице" есте рн конформитате ку urmăтоarele стандарде ши документе нормативе: EN 60745, EN 61000, EN 55014 конформ prevederilor directivelor 2014/30/UE, 2006/42/CE, 2011/65/UE
- **Документаție теаницă ла:** SKIL Europe BV (PT-SEU/ENG1), 4825 BD Breda, NL

Marijn van der Hoofden
Operations & Engineering

Olaf Dijkgraaf
Approval Manager




SKIL Europe BV, 4825 BD Breda, NL

29.07.2014

ZGOMOT/VIBRAȚII

- Мăсурат рн конформитате ку EN 60745 нивелу де presiune а сунетулу генерат де ацел instrument есте де 92 dB(A) iar нивелу де putere а сунетулу 103 dB(A) (abaterea standard: 3 dB), iar нивелу вибраціу ***** m/s^2 (suma vectorială а треи дирекții; incertitudine $K = 1,5 m/s^2$)
 - *** рн timpul șlefurii 8,8 m/s^2
 - *** цăнд тăиаиți ку пăзна де ферăструу ку аванс пе адăнциме 13,9 m/s^2
 - *** цăнд тăиаиți ку пăзна де ферăструу ку динți апликаиți 7,2 m/s^2
- Нивелу емисилу де вибраții а fost мăсурат рн конформитате ку ун тест стандардизат прецизат рн EN 60745; poate fi фолосит венуру а цомпара о сцлă ку алта ши ца евалуаре preliminară а експунерии ла вибраții атунци цăнд фолосиți сцла венуру апликацие ментїонате
 - utilizarea сцлеу венуру апликаții diferite сау ку ацесорилу diferite ши прост рнтретїнене poate **crește** semnificativ нивелу де експунере


- моментеле рн царе сцла есте оprită сау цăнд funcționează дар ну execută нicio lucrare, pot **reduce** semnificativ нивелу де експунере
- ! **протежи-вă рмпротрива ефектелу вибраціу рнтретїненеа сцлеу ши а ацесорилу sale, пăстрăнд мăиниле цалде ши организăнд процеселе де lucru**

BG

Многофункціонален инструмент

1470

УВОД

- Този инструмент е предназначен за рязане и прорязане в дърво, пластмаса, мазилка, метали и меки фаянсови плочки, а така също и сухо шлайфане на малки повърхности
- Колебательното задвижване генерира до 22000 колебания от 3° в минута, което прави инструмента изключително подходящ за прецизна работа върху ръбести, тесни и други труднодостъпни места
- Този инструмент не е предназначен за професионална употреба
- Този електроинструмент е конструиран да приема най-разпространените многофункционални аксесоари, включително и съществуващите допълнителни приспособления на BOSCH OIS 
- Прочетете и пазете това ръководство за работа 

ТЕХНИЧЕСКИ ДАННИ


ЕЛЕМЕНТИ НА ИНСТРУМЕНТА

- A** Затягащ винт с шайба
- B** Шестостенен ключ
- C** Шлифовъчна плоча
- D** Приспособление за изсмукване на праха
- E** Прекъсвач за включване/изключване
- F** Диск за избор на скорост
- G** Вентилационните отвори
- H** Сегментиран режещ диск
- J** Лист за вибрационно рязане (за дърво, 20 мм)
- K** Лист шкурка (груба)
- L** Лист шкурка (шина)
- M** Приспособление за регулиране на дълбочината *

* НЕ Е ВКЛЮЧЕНА СТАНДАРТНО

БЕЗОПАСНОСТ

ОБЩИ УКАЗАНИЯ ЗА БЕЗОПАСНА РАБОТА

 **ВНИМАНИЕ!** Прочетете внимателно всички указания. Неспазването на приведените по долу указания може да доведе до токов удар, пожар и/или тежки травми. **Съхранявайте тези указания на сигурно място.** Използваният по-долу термин "електроинструмент" се отнася до захранвани от електрическата мрежа електроинструменти (със захранващ кабел) и до захранвани от акумулаторна батерия електроинструменти (без захранващ кабел).

1) БЕЗОПАСНОСТ НА РАБОТНОТО МЯСТО

- a) **Поддържайте работното си място чисто и подредено.** Безпорядъкът или недостатъчното осветление могат да спомогнат за възникването на трудова злополука.
- b) **Не работете с електроинструмента в среда с повишена опасност от възникване на експлозия, в близост до леснозапалими течности, газове или прахообразни материали.** По време на работа в електроинструментите се отделят искри, които могат да възпламят прахообразни материали или пари.
- c) **Дръжте деца и странични лица на безопасно разстояние, докато работите с електроинструмента.** Ако вниманието Ви бъде отклонено, може да загубите контрола над електроинструмента.

2) БЕЗОПАСНОСТ ПРИ РАБОТА С ЕЛЕКТРИЧЕСКИ ТОК

- a) **Щепселът на електроинструмента трябва да е подходящ за ползвания контакт. В никакъв случай не се допуска изменение на конструкцията на щепсела.** Когато работите със занулени електроуреди, не използвайте адаптери за щепсела. Ползването на оригинални щепсели и контакти намалява риска от възникване на токов удар.
- b) **Избягвайте допира на тялото Ви до заземени тела, напр. тръби, отоплителни уреди, пещи и хладилници.** Когато тялото Ви е заземено, рискът от възникване на токов удар е по-голям.
- c) **Предпазвайте електроинструмента си от дъжд и влага.** Проникването на вода в електроинструмента повишава опасността от токов удар.
- d) **Не използвайте захранващи кабел за цели, за които той не е предвиден, напр. за да носите електроинструмента за кабела или да извадите щепсела от контакта.** Предпазвайте кабела от нагриване, омасляване, допир до остри ръбове или до подвижни звена на машини. Повредени или усукани кабели увеличават риска от възникване на токов удар.
- e) **Когато работите с електроинструмент навън, използвайте само удължителни кабели, предназначени за работа на открито.** Използването на удължител, предназначен за работа на открито, намалява риска от възникване на токов удар.
- f) **Ако се налага използването на електроинструмента във влажна среда, използвайте предпазен прекъсвач за утечни токове.** Използването на предпазен прекъсвач за утечни токове намалява опасността от възникване на токов удар.

3) БЕЗОПАСЕН НАЧИН НА РАБОТА

- a) **Бъдете концентрирани, следете внимателно действията си и постъпвайте предпазливо и разумно.** Не използвайте електроинструмента, когато сте уморени или под влиянието на наркотични вещества, алкохол или упойващи лекарства. Един миг разсеяност при работа с

електроинструмент може да има за последствие изключително тежки наранявания.

- b) **Работете с предпазващо работно облекло и винаги с предпазни очила.** Носенето на подходящи за ползвания електроинструмент и извършваната дейност лични предпазни средства, като дихателна маска, здрави плътнотатворени обувки със стабилен грайфер, защитна каска или шумозаглушители (антифони), намалява риска от възникване на трудова злополука.
 - c) **Избягвайте опасността от включване на електроинструмента по невнимание. Преди да включите щепсела в захранващата мрежа или да поставите акумулаторната батерия, се уверявайте, че пусковият прекъсвач е в положение изключено.** Ако, когато носите електроинструмента, дръжките пръста си върху пусковия прекъсвач, или ако подавате захранващо напрежение на електроинструмента, когато е включен, съществува опасност от възникване на трудова злополука.
 - d) **Преди да включите електроинструмента, се уверявайте, че сте отстранили от него всички помощни инструменти и гаечни ключове.** Помощен инструмент, забравен на въртящо се звено, може да причини травми.
 - e) **Не надценявайте възможностите си. Работете в стабилно положение на тялото и във всеки момент поддържайте равновесие.** Така ще можете да контролирате електроинструмента по-добре и по-безопасно, ако възникне неочаквана ситуация.
 - f) **Работете с подходящо облекло. Не работете с широки дрехи или украшения.** Дръжте косата си, дрехите и ръкавици на безопасно разстояние от въртящи се звена на електроинструментите. Широките дрехи, украшенията, дългите коси могат да бъдат захванати и увлечени от въртящи се звена.
 - g) **Ако е възможно използването на външна аспирационна система, се уверявайте, че тя е включена и функционира изправно.** Използването на аспирационна система намалява рисковите, дължащи се на отделящата се при работа прах.
- ## 4) ВНИМАТЕЛНО ОТНОШЕНИЕ КЪМ ЕЛЕКТРОИНСТРУМЕНТИ
- a) **Не претоварвайте електроинструмента.** Използвайте електроинструментите само съобразно тяхното предназначение. Ще работите по-добре и по-безопасно, когато използвате подходящия електроинструмент в зададения от производителя диапазон на натоварване.
 - b) **Не използвайте електроинструмент, чиито пусков прекъсвач е повреден.** Електроинструмент, който не може да бъде изключван и включван по предвидения от производителя начин, е опасен и трябва да бъде ремонтиран.
 - c) **Преди да промените настройките на електроинструмента, да замените работни инструменти и допълнително приспособления, както и когато продължително време няма да използвате електроинструмента, изключвайте**

щепсела от захранващата мрежа и/или изваждайте акумулаторната батерия. Тази мярка премахва опасността от задействане на електроинструмента по невнимателност.

d) **Съхранявайте електроинструментите на места, където не могат да бъдат достигнати от деца. Не допускайте те да бъдат използвани от лица, които не са запознати с начина на работа с тях и не са прочели тези инструкции.** Когато са в ръцете на неопитни потребители, електроинструментите могат да бъдат изключително опасни.

e) **Поддържайте електроинструментите си грижливо. Проверявайте дали подвижните звена функционират безукосно, дали не заклинват, дали има счупени или повредени детайли, които нарушават или изменят функциите на електроинструмента. Преди да използвате електроинструмента, се погрижете повредените детайли да бъдат ремонтирани.** Много от трудовете злополуки се дължат на недобре поддържани електроинструменти и уреди.

f) **Поддържайте рещещите инструменти винаги добре заточени и чисти.** Добре поддържаните рещещи инструменти с остри ръбове оказват по-малко съпротивление и се водят по-леко.

g) **Използвайте електроинструментите, допълнителните приспособления, работните инструменти и т.н., съобразно инструкциите на производителя. С дейности и процедури, евентуално предписани от различни нормативни документи.** Използването на електроинструменти за различни от предвидените от производителя приложения повишава опасността от възникване на трудови злополуки.

5) ПОДДЪРЖАНЕ

a) **Допускайте ремонтът на електроинструментите Ви да се извършва само от квалифицирани специалисти и само с използването на оригинални резервни части.** По този начин се гарантира съхраняване на безопасността на електроинструмента.

ИНСТРУКЦИИ ЗА БЕЗОПАСНОСТ ЗА МНОГОФУНКЦИОНАЛНИ ИНСТРУМЕНТИ

ОБЩИ

- Машината не трябва да се използва от лица под 16 години
- Използвайте напълно развити и безопасени разклонители с капацитет 16 А
- Преди включване на инструмента в контакта се уверете, че мрежовото напрежение отговаря на напрежението, обозначено на фирмената табелка на инструмента (инструменти с номинално напрежение 230V или 240V могат да бъдат включени и към захранване с напрежение 220V)
- Избягвайте повреди, които могат да бъдат причинени от винтове, гвоздеи и други метални елементи в обработвания детайл; отстранете ги преди да започнете работа

- **Обезопасете работния материал** (материал, затегнат в затягащ инструмент или в менгеме е по-устойчив, отколкото ако се държи в ръка)
- **Не обработвайте азбестосъдържащ материал** (азбестът е канцерогенен)
- **Преди извършването на каквато и да било настройка или смяна на принадлежност винаги изваждайте щепсела от контакта на електрозахранването**
- При работа дръжте електроинструмента здраво с двете ръце и поддържайте устойчиво
- Винаги отвеждайте захранващия кабел далеч от движещите се звена на електроинструмента; прехвърлете кабела отзад, далеч от електроинструмента
- **При смяната на аксесоари използвайте защитни ръкавици** (контактът с аксесоар може да доведе до нараняване)
- В случай на електрическа или механична неизправност, изключете незабавно апарата и прекъснете контакта с електрическата мрежа
- Ако кабелът се повреди или среже по време на работа, не го докосвайте, веднага изключете щепсела, никога не използвайте инструмента с повреден кабел
- Не използвайте инструмента, когато е повреден шнурът; замената му следва да се извърши от квалифицирано лице
- Преди да приберете инструмента, изключете мотора и се уверете, че всички движещи се части са преустановили движението **ПРИ РЪЗАНЕ/ПРОРЪЗВАНЕ**
- **Когато изпълнявате дейности, при които работният инструмент може да попадне на скрити под повърхността проводници под напрежение или да засегне захранващия кабел, внимавайте да допирате електроинструмента само до изолираните ръкохватки** (при контакт с проводник под напрежение то се предава на металните детайли на електроинструмента и това може да предизвика токов удар)
- **Дръжте ръцете си далеч от зоната на рязане;** докато режете никога и по никаква причина не посягайте под материала
- **За да откриете скрити под повърхността електро-, водо- и газопроводи, използвайте подходящи уреди или се обърнете към местното снабдително дружество** (прекъсването на електропроводници под напрежение може да предизвика пожар и/или токов удар; увреждането на газопровод може да предизвика експлозия; засягането на водопровод може да предизвика значителни материални щети и/или токов удар)
- Не използвайте рещеща лента, която е напукана, деформирана или затъпена **ПРИ ШЛАЙФАНЕ**
- Прахът от някои материали, като например съдържаща олово боя, някои видове дървесина, минерали и метали може да бъде вреден (контакт или вдишване на такъв прах могат да причинят алергични реакции и/или респираторни заболявания на оператора или стоящите наблизо лица);

използвайте противопохова масна и работете с аспиращо прахта устройство, когато такова може да бъде свързано

- Определени видове прах са класифицирани като карциногенни (като прах от дъб и бук) особено когато са комбинирани с добавки за подобряване на състоянието на дървесината; **използвайте противопохова масна и работете с аспиращо прахта устройство, когато такова може да бъде свързано**
- Следвайте дефинираните по БДС изисквания относно запряшеността за материалите, които желаете да обработвате
- **Използвайте инструмента само за сухо шлайфане** (проникването на вода в инструмента увеличава риска от удар от електрически ток)
- Не докосвайте шлифовъчния лист
- Не използвайте износени, разкъсани или силно замърсени шлифовъчни листове
- При шлифване на метал се образуват искри; не използвайте прахосмукачката и дръжте други лица и възпламеняващ се материал извън обсега на действие

УПОТРЕБА

- Смяна на аксесоари ⑤
 - ! **изключете щепсела**
 - сваляйте/монтирайте необходимия аксесоар, както е показано
 - осигурете съвпадение на отворите на аксесоара с щифтовете на главата на инструмента (възможна е всякаква позиция на вкарване)
 - монтирайте аксесоара при насочен надолу, натиснат център
 - развийте/затягайте винта А с шестограмен ключ В
 - **проверете дали аксесоарът е легнал плътно** (неправилно или недобре закрепени аксесоари могат да се разхлабят при работа и да станат опасни)
- Поставете на шлифовъчния лист ⑥
 - изчистете праха от материала ВЕЛКРО на шлифовъчната плоча С ② преди да поставите шкурката
 - монтирайте шлифовъчния лист от ВЕЛКРО, както е показано
 - ! **прахоизсмукването изисква използването на перфорирани шлифовъчни листове**
 - ! **перфорацията на шлифовъчния лист трябва да съвпадне с перфорацията в шлифовъчната основа**
 - ! **сменяйте своевременно износените шлифовъчни листове**
 - ! **използвайте инструмента с цялата повърхност от ВЕЛКРО винаги напълно покрита с шлифовъчен лист**
- Изтегляне на прах/стружки ⑦
 - монтирайте приспособление за изсмукване на праха D, както е показано
 - свържете прахосмукачката
 - ! **не приспособление за изсмукване на праха/прахосмукачка при шлайфане на метал**
 - редовно почиствайте приспособлението за изсмукване на праха D, за да се осъществява оптимално изсмукване на праха

- Включване/изключване
 - инструмента включвайте/изключете чрез превключване на ключа Е ② в позиции "I"/"O"
 - ! **преди аксесоарът да докосне работната площ, инструмента трябва да работи с максимална скорост**
 - ! **преди да изключите инструмента, трябва да я вдигнете от работната повърхност**
- Регулиране на работната скорост ⑧
 - с диска F честотата на колебанията може да се регулира от ниско (1) до висока (6) (също докато инструментът работи)
 - оптималната работна скорост зависи от материала и може да бъде определена с практически опити
- Държане и насочване на инструмента
 - ! **по време на работа, винаги дръжте уреда за оцветената(ите) в сиво зона(и) за хващане ⑨**
 - оставяйте вентилационните отвори G ② непокрити
 - не натискайте инструмента много силно (силният натиск води до силно нагряване и може да скъси експлоатационния срок на приспособлението)
- Приспособление за регулиране на дълбочината (DEPTH STOP) (не е стандартен аксесоар) ⑩

УКАЗАНИЯ ЗА РАБОТА


- Използвайте сегментиран режещ диск Н ② за отрязване и нарязване в дърво, мазилка, гипс и пластмаса (също за рязане в близост до ръбове, ъгли и други труднодостъпни места)
- Използвайте лист за вибрационно рязане J ② за отрязване и дълбоки прорези в дърво, мазилка, гипс и меки пластмаса (също за рязане в близост до ръбове, ъгли и други труднодостъпни места)
- За повече полезни указания вж. www.skil.com

ПОДДРЪЖКА / СЕРВИЗ

- Този инструмент не е предназначен за професионална употреба
- Поддържайте винаги електроинструмента и захранващия кабел чисти (особено вентилационните отвори G ②)
 - ! **преди почистване изключете щепсела**
- Ако въпреки прецизното производство и внимателно изпитване възникне повреда, инструмента да се занесе за ремонт в оторизиран сервиз за електроинструменти на SKIL
 - занесете инструмента в неразглобен вид заедно с доказателство за покупката му в търговския обект, откъдето сте го закупили, или в най-близкия сервиз на SKIL (адресите, както и схемата за сервизно обслужване на електроинструмента, можете да намерите на адрес www.skil.com)

ОПАЗВАНЕ НА ОКОЛНАТА СРЕДА

- **Не изхвърляйте електроуредите, приспособленията и опаковните заедно с битови отпадъци (само за страни от ЕС)**

- съобразно Директивата на ЕС 2012/19/EG относно износени електрически и електронни уреди и отразяването ѝ в националното законодателство износените електроуреди следва да се събират отделно и да се предават за рециклиране според изискванията за опазване на околната среда
- за това указва символът  тогава когато трябва да бъдат унищожени

ДЕКЛАРАЦИЯ ЗА СЪОТВЕТСТВИЕ



Многофункционален инструмент 1470

Технически данни ^①

- С пълна отговорност ние декларираме, че описаният в "Технически данни" продукт съответства на следните стандарти или нормативни документи: EN 60745, EN 61000, EN 55014 съгласно изискванията на директиви 2014/30/EC, 2006/42/EG, 2011/65/EC
- **Подробни технически описания при:** SKIL Europe BV (PT-SEU/ENG1), 4825 BD Breda, NL

Marijn van der Hoofden
Operations & Engineering

Olaf Dijkgraaf
Approval Manager

SKIL Europe BV, 4825 BD Breda, NL

29.07.2014

ШУМ/ВИБРАЦИИ

- Измерено в съответствие с EN 60745 нивото на звуково налягане на този инструмент е 92 dB(A) а нивото на звукова мощност е 103 dB(A) (стандартно отклонение: 3 dB), а вибрациите са * m/c^2 (векторната сума по трите направления; неопределеност $K = 1,5 m/c^2$)
 - * докато почистване 8,8 m/c^2
 - * при рязане с лист за вибрационно рязане 13,9 m/s^2
 - * при рязане със сегментиран режещ диск 7,2 m/s^2
 - Нивото на предадените вибрации е измерено в съответствие със стандартизирания тест, определен в EN 60745; то може да се използва за сравнение на един инструмент с друг и като предварителна оценка на подлагането на вибрации при използването на инструмента за посочените приложения
 - използването на инструмента за различни от тези приложения или с други, или лошо поддържани аксесоари може значително **да повиши** нивото на което сте подложени
 - периодите от време, когато инструмента е изключен или съответно включен, но с него не се работи в момента могат значително **да намалят** нивото на което сте подложени
- ! предпазвайте се от ефектите от вибрациите, като поддържате инструмента и аксесоарите му, пазете ръцете си топли и организирате вашите модели на работа**

SK

Multifunkčný nástroj

1470

ÚVOD

- Tento nástroj je určený na pílenie a rezanie dreva, plastov, omietok, kovov a mäkkých obkladačiek, ako aj na suché brúsenie malých plôch
- Pomocou oscilačného pohonu sa príslušenstvo kýve až 22000-krát za minútu v uhle 3 stupňov, vďaka čomu je tento nástroj obzvlášť vhodný na precízne opracovávanie členitých, úzkych a iných ťažko dostupných miest
- Tento nástroj nie je vhodný pre profesionálne použitie
- Tento nástroj sa môže používať s bežne dostupným univerzálnym príslušenstvom pre nástroje vrátane príslušenstva BOSCH OIS ^③
- Prečítajte a uschovajte tento návod na použitie ^④

TECHNICKÉ ÚDAJE ^①


ČASTI NÁSTROJA ^②

- A Upínacia skrutka s podložkou
- B Imbusový kľúč
- C Brúsna podložka
- D Zariadenie na odsávanie prachu
- E Spínač zapnutie/vypnutie
- F Kolesko na nastavovanie rýchlosti
- G Vetracie štrbiny
- H Segmentový pilový list
- J Zapichovací pilový list (drevo, 20 mm)
- K Brúsny list (hrubý)
- L Brúsny list (jemný)
- M Príslušenstvo pre nastavenie hĺbky *

* NEOBSAHUJE ŠTANDARD

BEZPEČNOSŤ

VŠEOBECNÉ BEZPEČNOSTNÉ POKYNY

 POZOR! Prečítajte si všetky výstražné upozornenia a bezpečnostné pokyny. Zanedbanie dodržiavania výstražných upozornení a pokynov uvedených v nasledujúcom texte môže mať za následok zásah elektrickým prúdom, spôsobiť požiar a/alebo ťažké poranenie. **Tieto výstražné upozornenia a bezpečnostné pokyny starostlivo uschovajte na budúce použitie.** Pojem ručné "elektrické náradie" používaný v nasledujúcom texte sa vzťahuje na ručné elektrické náradie napájané zo siete (s prívodnou šnúrou) a na ručné elektrické náradie napájané akumulátorovou batériou (bez prívodnej šnúry).

1) BEZPEČNOSŤ NA PRACOVISKU

- a) **Udržiavajte svoje pracovisko čisté a upratané.** Neporiadok na pracovisku alebo neosvetlené časti pracoviska môžu viesť k úrazom.
- b) **Nepracujte elektrickým náradím v prostredí ohrozenom výbuchom, v ktorom sa nachádzajú horľavé kvapaliny, plyny alebo prach.** Elektrické

- náradie produkuje iskry, ktoré môžu prach alebo pary zapáliť.
- c) **Deti a iné osoby udržiavajte počas práce od ručného elektrického náradia v dostatočnej vzdialenosti.** V prípade odpútania Vašej pozornosti by ste mohli stratiť kontrolu nad náradím.
- 2) ELEKTRICKÁ BEZPEČNOSŤ**
- a) **Zástrčka prívodnej šnúry sa musí hodiť do napájacej zásuvky. Zástrčka sa v žiadnom prípade nesmie meniť. Pri uzemnených spotrebičoch nepoužívajte spolu s nimi žiadne adaptéry.** Nezmenená zástrčka a vhodná zásuvka znižujú riziko zásahu elektrickým prúdom.
- b) **Vyhýbajte sa telesnému kontaktu s povrchovými plochami uzemnených spotrebičov, ako sú elektrické rúry, vyhrievacie telesá, sporáky a chladničky.** Keď je Vaše telo uzemnené, riziko zásahu elektrickým prúdom je vyššie.
- c) **Chráňte ručné elektrické náradie pred dažďom a vlhkom.** Vniknutie vody do ručného elektrického náradia zvyšuje riziko zásahu elektrickým prúdom.
- d) **Nepoužívajte prívodnú šnúru na prenášanie náradia, na jeho vešanie, ani za ňu nevyťahujte zástrčku zo zásuvky. Prívodnú šnúru chráňte pred horúčavou, olejom, ostrými hranami alebo pohyblivými časťami náradia.** Poškodené alebo zauzlené šnúry zvyšujú riziko zásahu elektrickým prúdom.
- e) **Pracujte s ručným elektrickým náradím vonku, používajte len také predĺžovacie šnúry, ktoré sú schválené pre použitie vo vonkajších priestoroch.** Použitie predĺžovacej šnúry určenej do vonkajšieho prostredia znižuje riziko zásahu elektrickým prúdom.
- f) **Ak sa nedá vyhnúť použitiu ručného elektrického náradia vo vlhkom prostredí, použite prerušovač uzemňovacieho obvodu.** Použitie prerušovača uzemňovacieho obvodu znižuje riziko zásahu elektrickým prúdom.
- 3) BEZPEČNOSŤ OSÔB**
- a) **Buďte pozorní, dávajte pozor na to, čo robíte a k práci s elektrickým náradím pristupujte rozumne. Nepoužívajte elektrické náradie, keď ste unavení alebo keď ste pod vplyvom drog, alkoholu alebo liekov.** Chvilňa nepozornosti pri používaní náradia môže viesť k vážnym poraneniám.
- b) **Noste osobné ochranné pomôcky, ochranný odev a vždy majte nasadené ochranné okuliare.** Nosenie pracovného odevu a používanie ochranných pomôcok ako ochrannej dýchacej masky, bezpečnostných protišmykových topánok, prilby alebo chrániča sluchu, podľa druhu elektrického náradia, znižuje riziko poranenia.
- c) **Vyhýbajte sa neúmyselnému uvedeniu ručného elektrického náradia do činnosti. Pred zasunutím zástrčky do zásuvky a/alebo pred pripojením akumulátora, pred chytením alebo prenášaním ručného elektrického náradia sa vždy presvedčte sa, či je ručné elektrické náradie vypnuté.** Ak budete mať pri prenášaní ručného elektrického náradia prst na vypínači, alebo ak ručné elektrické náradie pripojíte na elektrickú sieť zapnutú, môže to mať za následok nehodu.
- d) **Skôr ako ručné elektrické náradie zapnete, odstráňte nastavovacie a montážne nástroje.** Nástroj alebo kľúč, ktorý sa nachádza v pohyblivej časti náradia, môže spôsobiť poranenie.
- e) **Neprečunujte sa. Zabezpečte si pevný postoj a neprestajne udržiavajte rovnováhu.** Taktó budete môcť ručné elektrické náradie v neočakávaných situáciách lepšie kontrolovať.
- f) **Pri práci noste vhodný pracovný odev. Nenoste široké odevy a nemanjte na sebe šperky.** Dbajte na to, aby ste mali vlasy, odev a rukavice v dostatočnej vzdialenosti od pohyblivých časť náradia. Pohyblivosť sa časti náradia by mohli zachytiť voľné oblečenie, šperky alebo dlhé vlasy.
- g) **Ak možno namontovať zariadenie na odsávanie alebo zachytávanie prachu, presvedčte sa, či je pripojené a správne používané.** Použitie odsávacieho zariadenia a zariadenia na zachytávanie prachu znižuje riziko ohrozenia zdravia prachom.
- 4) STAROSTLIVÉ ZAOBCHÁDZANIE S ELEKTRICKÝM NÁRADÍM A JEHO POUŽÍVANIE**
- a) **Náradie nepreťažujte. Pre svoju prácu používajte určené elektrické náradie.** Pomocou vhodného ručného elektrického náradia budete môcť v uvedenom rozsahu výkonu pracovať lepšie a bezpečnejšie.
- b) **Nepoužívajte žiadne ručné elektrické náradie, ktoré má pokazený vypínač.** Ručné elektrické náradie, ktoré sa už nedá zapínať alebo vypínať, je nebezpečné a treba ho dať opraviť.
- c) **Skôr ako začnete náradie nastavovať alebo prestavovať, vymieňať príslušenstvo alebo skôr, ako odložíte náradie, vždy vytiahnite zástrčku sieťovej šnúry zo zásuvky.** Toto bezpečnostné opatrenie zabraňuje neúmyselnému spusteniu náradia.
- d) **Nepoužívané ručné elektrické náradie uschovávajte mimo dosahu detí. Nedopusťte, aby ručné elektrické náradie používali osoby, ktoré s ním nie sú dôkladne oboznámené, alebo ktoré si neprečítali tento Návod na používanie.** Ak ručné elektrické náradie používajú neskúsené osoby, stáva sa nebezpečným nástrojom.
- e) **Elektrické náradie starostlivo ošetrte. Skontrolujte, či pohyblivé súčiastky náradia bezchybne fungujú a neblokujú a či nie sú zlomené alebo poškodené niektoré súčiastky, ktoré by mohli negatívne ovplyvniť fungovanie ručného elektrického náradia. Pred použitím ručného elektrického náradia dajte poškodené súčiastky opraviť.** Nejedno úraz bol spôsobený zle udržiavaným náradím.
- f) **Používané nástroje udržiavajte ostré a čisté.** Starostlivo ošetrované nástroje s ostrými reznými hranami sa menej často zablokujú a ich vedenie je podstatne ľahšie.
- g) **Používajte ručné elektrické náradie, príslušenstvo, pracovné nástroje a pod. podľa týchto pokynov. Zohľadnite pritom konkrétne pracovné podmienky a činnosť, ktorú máte vykonať.** Používanie ručného elektrického náradia na iné ako určené účely môže viesť k nebezpečným situáciám.

5) SERVIS

- a) **Ručné elektrické náradie zverte do opravy len kvalifikovanému personálu a používajte len originálne náhradné súčiastky.** Tým sa zabezpečí zachovanie bezpečnosti ručného elektrického náradia.

BEZPEČNOSTNÉ POKYNY PRE MULTIFUNKČNÉ NÁSTROJE

VŠEOBECNE

- Tento nástroj by nemali používať osoby mladšie ako 16 rokov
- Používajte úplne odmotanú a bezpečnú predlžovaciu šnúru s kapacitou 16 A
- Vždy skontrolujte či je napájacie napätie rovnaké ako napätie uvedené na štítku nástroja (nástroj s menovitým napätím 230V alebo 240V môžete pripojiť aj do siete s napätím 220V)
- Zabráňte poškodeniu náradia skrutkami, klincami a inými kovovými predmetmi v obrobku; zoberte ich dole prv než začnete pracovať
- **Zaistite obrábaný diel** (obrábaný diel uchytýny pomocou upínacích zariadení alebo vo zveráku je oveľa bezpečnejší kým v ruke)
- **Neobrábajte materiál, ktorý obsahuje azbest** (azbest sa považuje za rakovinotvorný materiál)
- **Pri nastavovaní alebo výmene príslušenstva vždy vytiahnite privodný kábel zo zásuvky**
- Vždy držte nástroj pevne oboma rukami a stojne bezpečne
- Elektrickú šnúru udržiavajte vždy mimo pohybujúcich sa častí nástroja; elektrickú šnúru vždy smerujte dozadu, mimo nástroja
- **Pri výmene príslušenstva používajte ochranné rukavice** (pri dotyku s príslušenstvom môže dôjsť k poraneniu)
- V prípade elektrickej alebo mechanickej poruchy zastavte okamžite nástroj a vytiahnite zástrčku z nástennej zásuvky
- Ak je sieťová šnúra poškodená alebo ak sa prereže počas prevádzky, neodotýkajte sa jej ale ju ihneď odpojte z hlavnej elektrickej siete
- Nikdy nepoužívajte nástroj ak je šnúra poškodená; šnúru musí vymeniť kvalifikovaná osoba
- Skôr než nástroj položíte, presvedčte sa že je motor vypnutý a že sú všetky pohyblivé súčiastky zastavené PRI PÍLENÍ/REZANI
- **Držte elektrické náradie len za izolované plochy rúkovaťi, ak vykonávate takú prácu, pri ktorej by mohli použiť pracovný nástroj natrafiť na skryté elektrické vedenia alebo zasiahnuť vlastnú privodnú šnúru náradia** (kontakt s elektrickým vedením, ktoré je pod napätím, môže dostať pod napätie aj kovové súčiastky náradia a spôsobiť zásah elektrickým prúdom)
- **Ruky nekladajte do oblastí rezania**; nikdy a zo žiadneho dôvodu počas rezania nekladajte ruky pod materiál
- **Na vyhľadanie skrytých elektrických vedení, plynových a vodovodných potrubí použite vhodné hľadacie prístroje, alebo sa spojte s príslušným dodávateľom** (kontakt s elektrickým vedením môže mať za následok vznik požiaru alebo spôsobiť zásah elektrickým prúdom; poškodenie plynového potrubia

môže spôsobiť výbuch; prevrtanie vodovodného potrubia spôsobí vecné škody, alebo môže spôsobiť zásah elektrickým prúdom)

- **Nepoužívajte prasknutý, deformovaný alebo otupený pilový list**
- **PRI BRÚSENÍ**
- Prach z materiálu, akým je náter obsahujúci olovo, niektoré druhy dreva, minerály a kovy môže byť škodlivý (styk alebo nadýchanie prachu môže spôsobiť alergické reakcie a/alebo respiračné ochorenia obsluhy a okolostojacich osôb); **používajte ochrannú masku tváre a pracujte so zariadením na odsávanie prachu, ak je takéto zariadenie možné pripojiť**
- Určité druhy prachu sú klasifikované ako karcinogénne (akým dubový a bukový prach), a to hlavne v spojení s prísadami pre úpravu dreva; **používajte ochrannú masku tváre a pracujte so zariadením na odsávanie prachu, ak je takéto zariadenie možné pripojiť**
- Dodržujte stanovené nariadenia pre prácu v prašnom prostredí
- **Nástroj používajte len na suché brúsenie** (pri vniknutí vody do nástroja sa zvyšuje nebezpečenstvo zásahu elektrickým prúdom)
- **Nedotýkajte sa pohyblivej brúsnej plochy**
- **Nepoužívajte opotrebené, potrhane alebo silne znečistené brúsne plochy**
- Pri brúsení sa tvoria iskry; nepoužívajte vysávač a dbajte na to, aby sa v pracovnom priestore nezdržovala iná osoba a nebol horľavý materiál

POUŽITIE

- Výmena príslušenstvo ⑤
 - ! **odpojte zástrčku**
 - odmontujte/namontujte požadované príslušenstvo podľa obrázka
 - otvory na príslušenstve musia sadnúť na výstupky na hlave nástroja (v niektorej z možných stabilných pozícií)
 - vlisovaný stred príslušenstva musí smerovať nadol
 - na uvoľnenie/zatiahnutie skrutky A použite imbusový kľúč B
 - **skontrolujte, či je príslušenstvo nasadené pevne** (nesprávne alebo slabo pripevnené príslušenstvo sa počas používania môže uvoľniť a ohroziť bezpečnosť)
- Namontovanie brúsiacich plôch ⑥
 - pred upnutím brúsneho listu oklepte prach zo suchého zipsu brúsnej podložky C ②
 - podľa obrázku namontujte brúsiacu plochu VELCRO
 - ! **! ah prachu vyžaduje aby sa použili perforované brúsiace plochy**
 - ! **perforácie na brúsiacich plochách sa majú zhodovať s perforáciami na brúsiacej nohe**
 - ! **na čas vyměňte opotrebené brúsiace plochy**
 - ! **nástroj vždy používajte tak, aby celá plocha suchého zipsu bola pokrytá brusným papierom**
- Odsávanie pilín a malých kúskov ⑦
 - namontujte zariadenie na odsávanie prachu D podľa obrázka
 - zapnite vysávač
 - ! **zariadenie na odsávanie prachu / vysávač nepoužívajte, keď brúsíte kov**

- najlepšia účinnosť odsávania prachu sa dosiahne, ak sa zariadenie na odsávanie prachu D pravidelne čistí
- Zapínanie/vypínanie
 - nástroje zapnite/vypnite posunutím prepínača E ② do polohy "I"/"O"
- ! **predtým, ako sa príslušenstvo dostane na miesto obrábania, mal by nástroj bežať na plné otáčky**
- ! **pred vypnutím nástroja by ste ho mali zdvihnúť z miesta obrábania**
- Nastavenie pracovnej rýchlosti ⑧
 - pomocou kolieska F je možné nastaviť požadovanú oscilačnú frekvenciu od nízkej (1) až po vysokú (6) (aj počas chodu nástroja)
 - optimálna pracovná rýchlosť závisí na materiáli a môžete ju stanoviť praktickou skúškou
- Držanie a vedenie nástroja
 - ! **počas práce vždy držte nástroj v oblasti sivého držadla(iel) ⑨**
 - vetracie štrbiny G ② udržiavajte nezakryté
 - na nástroj priveľmi netlačte (nadmerný tlak môže spôsobiť prehrievanie a môže skrátiť životnosť príslušenstva)
- Príslušenstvo pre nastavenie hĺbky (DEPTH STOP) (**nedodáva sa štandardne**) ⑩

RADU NA POUŽITIE

- Segmentový pilový list H ② používajte na oddeľovacie a zapichovacie rezy do dreva, omietky, sadry a plastov (aj na rezanie blízko okrajov, v rohoch a na iných ťažko dostupných miestach)
- Zapichovací pilový list J ② používajte na oddeľovacie a hlboké zapichovacie rezy do dreva, omietky, sadry a plastov (aj na rezanie blízko okrajov, v rohoch a na iných ťažko dostupných miestach)
- Viac rád nájdete na www.skil.com

ÚDRŽBA / SERVIS

- Tento nástroj nie je vhodný pre profesionálne použitie
- Nástroj a sieťovú šnúru udržiavajte stále čisté (zvlášť vetracie štrbiny G ②)
- ! **pred čistením odpojte z elektrickej siete**
- Ak by nástroj napriek starostlivej výrobe a kontrole predsa len prestal niekedy fungovať, treba dať opravu vykonať autorizovanej servisnej opravovni elektrického náradia SKIL
 - pošlite nástroj **bez rozmontovania** spolu s dôkazom o kúpe; vášmu dilerovi alebo do najbližšieho servisného strediska SKIL (zoznam adries servisných stredísk a servisný diagram nástroja sú uvedené na www.skil.com)

ŽIVOTNÉ PROSTREDIE

- **Elektrické náradie, príslušenstvo a balenia nevyhadzujte do komunálneho odpadu** (len pre štáty EÚ)
 - podľa európskej smernice 2012/19/EG o nakladaní s použitými elektrickými a elektronickými zariadeniami a zodpovedajúcich ustanovení právnych predpisov jednotlivých krajín sa použité elektrické náradie musí

- zbierať oddelene od ostatného odpadu a podrobiť ekologicky šetrnej recyklácii
- pripomenie vám to symbol ⑩, keď ju bude treba likvidovať

VYHLÁSENIE O ZHODE CE

Multifunkčný nástroj 1470

Technické údaje ①

- Na vlastnú zodpovednosť vyhlasujeme, že dole popísaný výrobok "Technické údaje" sa zhoduje s nasledujúcimi normami alebo normatívnymi dokumentami: EN 60745, EN 61000, EN 55014 podľa ustanovení smerníc 2014/30/EU, 2006/42/EG, 2011/65/EU
- **Súbor technickej dokumentácie sa nachádzajú na adrese:** SKIL Europe BV (PT-SEU/ENG1), 4825 BD Breda, NL

Marijn van der Hoofden Olaf Dijkgraaf
Operations & Engineering Approval Manager




SKIL Europe BV, 4825 BD Breda, NL

29.07.2014

HLUKU/VIBRÁCIÁCH

- Merané podľa EN 60745 je úroveň akustického tlaku tohto nástroja 92 dB(A) a úroveň akustického výkonu je 103 dB(A) (štandardná odchýlka: 3 dB), a vibrácie sú * m/s² (súčet vektorov troch smerov; nepresnosť K = 1,5 m/s²)
 - * pri brúsení 8,8 m/s²
 - * pri rezaní pomocou zapichovacieho pilového listu 13,9 m/s²
 - * pri rezaní pomocou segmentového pilového listu 7,2 m/s²
- Hladina emisií od vibrácií bola nameraná v súlade s normalizovaným testom uvedeným v norme EN 60745; môže sa používať na vzájomné porovnanie náradí a na predbežné posúdenie vystavenia účinkom vibrácií pri používaní náradia pre uvedené aplikácie
 - používanie náradia na rôzne aplikácie, alebo v spojení s rôznymi alebo nedostatočne udržiavanými doplnkami môže značne **zvýšiť** úroveň vystavenia
 - časové doby počas ktorých je je náradie vypnuté alebo počas ktorých náradie beží ale v skutočnosti nevykonáva prácu môžu značne **znižovať** úroveň vystavenia
- ! **chráňte sa pred účinkami vibrácií tak, že budete náradie a jeho príslušenstvo správne udržiavať, tak že nebudete pracovať so studenými rukami a tak že si svoje pracovné postupy správne zorganizujete**

UVOD

- Ovaj uređaj namijenjen je piljenju i rezanju drveta, plastike, žbuke, metala i mekih zidnih pločica, kao i za suho pjeskarenje manjih površina
- Zbog oscilirajućeg pogona pribor se njiše do 22000 puta u minuti za 3°, što uređaj čini posebno prikladnim za precizan rad na rubovima, uskim površinama i drugim teško pristupačnim mjestima
- Ovaj uređaj nije namijenjen profesionalnoj upotrebi
- Ovaj alat prihvaća najčešće dostupni višenamjenski pribor, uključujući postojeći BOSCH OIS pribor ③
- Pažljivo pročitajte i sačuvajte ove upute za rukovanje ④

TEHNIČKI PODACI ①

DIJELOVI ALATA ②

- A Stezni vijak s podloškom
- B Šesterokutni ključ
- C Jastučić za pjeskarenje
- D Uređaj za odsis prašine
- E Prekidač uključeno/isključeno
- F Kotačić za odabir brzine
- G Otvori za strujanje zraka
- H Segmentna oštrica pile
- J Upuštena oštrica pile (za drvo, 20 mm)
- K List za pjeskarenje (grubi)
- L List za pjeskarenje (fini)
- M Dodatak za podešavanje dubine *

* NIJE U STANDARDNOJ OPREMI

SIGURNOST

OPĆE UPUTE ZA SIGURAN RAD

PAŽNJA! Treba pročitati sve napomene o sigurnosti i upute. Ako se ne bi poštivale napomene o sigurnosti i upute to bi moglo uzrokovati strujni udar, požar i/ili teške ozljede. **Sačuvajte sve napomene o sigurnosti i upute za buduću primjenu.** U daljnjem tekstu korišten pojam "električni alat" odnosi se na električne alate s priključkom na električnu mrežu (s mrežnim kabelom) i na električne alate s napajanjem iz aku baterije (bez mrežnog kabela).

1) SIGURNOST NA RADNOM MJESTU

- Vaše radno područje održavajte čisto i uredno.** Nered ili neosvijetljeno radno područje mogu doći do nezgoda.
- S uređajem ne radite u okolini ugroženoj eksplozijom, u kojoj se nalaze zapaljive tekućine, plinovi ili prašina.** Električni alati proizvode iskre koje mogu zapaliti prašinu ili pare.
- Djecu i ostale osobe držite dalje tijekom korištenja električnog alata.** Ako bi skrenuli pozornost sa posla mogli bi izgubiti kontrolu nad uređajem.

2) ELEKTRIČNA SIGURNOST

- Priključni utikač uređaja treba odgovarati utičnici.** Na utikač se ne ni u kojem slučaju ne smiju izvoditi izmjene. **Ne koristite adapterske utikače zajedno sa uređajima koji su zaštićeni uzemljenjem.** Originalni utikač i odgovarajuće utičnice smanjuju opasnost od električnog udara.
- Izbjegavajte dodir tijela s uzemljenim površinama kao što su cijevi, centralno grijanje, štednjaci i hladnjaci.** Postoji povećana opasnost od električnog udara ako je vaše tijelo uzemljeno.
- Držite uređaj dalje od kiše ili vlage.** Prodiranje vode u električni uređaj povećava opasnost od električnog udara.
- Priključni kabel ne koristite za nošenje, vješanje ili za izvlačenje utikača iz utičnice. Držite kabel dalje od izvora topline, ulja, oštrih rubova ili pomičnih dijelova uređaja.** Oštećen ili usukan kabel povećava opasnost od električnog udara.
- Ako s električnim uređajem radite na otvorenom, koristite samo produžni kabel odobren za uporabu na otvorenom.** Primjena produžnog kabela prikladnog za uporabu na otvorenom smanjuje opasnost od električnog udara.
- Ako se ne može izbjeći uporaba električnog alata u vlažnoj okolini, upotrijebite sigurnosna sklopka za propuštanje u zemlju.** Upotrebom sigurnosne sklopke za propuštanje u zemlju smanjuje se opasnost od električnog udara.

3) SIGURNOST LJUDI

- Budite oprezni, pazite što činite i postupajte razumno kod rada s električnim alatom. Ne koristite uređaj ako ste umorni ili pod utjecajem opojnih sredstava, alkohola ili lijekova.** Trenutak nepažnje kod uporabe uređaja može doći do ozbiljnih ozljeda.
- Nosite sredstva osobne zaštite i uvijek zaštitne naočale.** Nošenje sredstava osobne zaštite, kao što je zaštitna maska, sigurnosne cipele koje ne klize, zaštitne kacige ili štitnika za sluh, ovisno od vrste i primjene električnog alata, smanjuje opasnost od nezgoda.
- Izbjegavajte nehotično puštanje u rad. Prije nego što ćete utaknuti utikač u utičnicu i/ili staviti aku-bateriju, provjerite je li električni alat isključen.** Ako kod nošenja električnog alata imate prst na prekidaču ili se uključeni uređaj priključi na električno napajanje, to može dovesti do nezgoda.
- Prije nego što uređaj uključite, uklonite alate za podešavanje ili vijčane ključeve.** Alat ili ključ koji se nalazi u rotirajućem dijelu uređaja može doći do nezgoda.
- Ne precjenjujte svoje sposobnosti. Zauzmite siguran i stabilan položaj tijela i držite u svakom trenutku ravnotežu.** Na taj način možete uređaj bolje kontrolirati u neočekivanim situacijama.
- Nosite prikladnu odjeću. Ne nosite široku odjeću ili nakit. Neka vaša kosa, odjeća i rukavice budu što dalje od pomičnih dijelova.** Mlohavu odjeću, nakit ili dugu kosu mogu zahvatiti pomični dijelovi uređaja.
- Ako se mogu montirati naprave za usisavanje i hvatanje prašine, provjerite da li su iste priključene i da li se pravilno koriste.** Primjena naprave za usisavanje može smanjiti ugroženost od prašine.

4) BRIŽLJIVA UPORABA ELEKTRIČNIH ALATA

- a) **Ne preopterećujte uređaj. Koristite za vaše radove za to predviđen električni alat.** S odgovarajućim električnim alatom radit ćete bolje i sigurnije, u navedenom području učinka.
- b) **Ne koristite električni alat čiji je prekidač neispravan.** Električni alat koji se više ne može uključiti ili isključiti, opasan je i treba se popraviti.
- c) **Izvućite utikač iz mrežne utičnice i/ili izvadite aku-bateriju prije podešavanja uređaja, zamjene pribora ili odlaganja uređaja.** Ovim mjerama opreza spriječit će se nehotično pokretanje uređaja.
- d) **Nekorištene električne alate spremite izvan dosega djece. Ne dopustite da uređaj koriste osobe koje s njim nisu upoznate ili koje nisu pročitale upute za uporabu.** Električni alati su opasni ako ih koriste neiskusne osobe.
- e) **Uređaj održavajte s pažnjom. Kontrolirajte da li pomoćni dijelovi uređaja besprijekorno rade i da nisu zaglavljani, te da li su dijelovi polomljeni ili tako oštećeni da negativno djeluju na funkciju uređaja. Popravite oštećene dijelove prije uporabe uređaja.** Mnoge nezgode imaju svoj uzrok u loše održanim uređajima.
- f) **Rezne alate održavajte oštrim i čistim.** Pažljivo održavani rezni alati s oštrim oštricama neće se zaglaviti i lakši su za vođenje.
- g) **Koristite električne alate, pribor, radne alate, itd., prema navedenim uputama. Pri tome uzmite u obzir radne uvjete i radove koje se izvode.** Uporaba električnih alata za neke druge primjene različite od predviđenih, može doći do opasnih situacija.

5) SERVIS

- a) **Popravak uređaja prepustite samo kvalificiranom stručnom osoblju i samo s originalnim rezervnim dijelovima.** Na taj će se način postići održanje stalne sigurnosti uređaja.

SIGURNOSNE UPUTE ZA VIŠENAMJENSKE UREĐAJE

OPĆENITO

- Uređaj ne bi smjele koristiti osobe mlađe od 16 godina
- Upotrebljavajte samo neodmotane i zaštićene produžne kabele kapaciteta 16 ampera
- Uvijek provjerite je li napon napajanja isti kao onaj naveden na tipskoj pločici uređaja (uređaji označeni s 230V ili 240V mogu raditi i na 220V)
- Izbjegavajte oštećenja od vijaka, čavala i sličnih predmeta na vašem izratku; prije početka rada ih izvadite
- **Osigurajte izradak** (izradak je sigurnije pričvršćen pomoću stezaljke ili škripa nego da ga držite rukom)
- **Ne obrađujte materijal koji sadrži azbest** (azbest se smatra kancerogenim)
- **Prije svih radova održavanja, podešavanja ili izmjene alata i pribora treba izvući utikač iz mrežne utičnice**
- Kod rada alat uvijek čvrsto držati s obje ruke i zauzeti siguran i stabilan položaj tijela
- Kabel uvijek držati dalje od rotirajućih dijelova uređaja; kabel povlačiti iza uređaja
- **Pri zamjeni pribora nosite zaštitne rukavice** (kontakt s priborom može dovesti do ozljeda)

- U slučaju neobičajenog ponašanja uređaja ili neobičnih šumova, uređaj treba odmah isključiti i izvući utikač iz mrežne utičnice
- Ako se tijekom rada priključni kabel ošteti ili odreže, ne dirati priključni kabel, nego odmah izvući mrežni utikač
- Nikad ne upotrebljavajte alat kad su kabel oštećeni; neka iz zamijeni kvalificirana osoba
- Čim se odmaknete od alata trebate ga isključiti, a pomoćni se dijelovi trebaju potpuno zaustaviti
PILJENJE/REZANJE
- **Električni alat držite na izoliranim površinama zahvata, kada radite na mjestima gdje bi svrdlo moglo oštetiti skrivene električne kablove ili vlastiti priključni kabel** (kontakt sa vodom pod naponom može i metalne dijelove električnog alata staviti pod napon i dovesti do strujnog udara)
- **Držite ruke podalje od područja rezanja;** tijekom rezanja nikada ne posežite ispod materijala iz bilo kojeg razloga
- **Koristite prikladne uređaje za traženje napona kako bi se pronašli skriveni napojni vodovi ili se savjetuje s lokalnim distributerom** (kontakt s električnim vodovima mogao bi doći do požara i električnog udara; oštećenje plinske cijevi moglo bi dovesti do eksplozije; probijanje vodovodne cijevi uzrokuje materijalne štete ili može uzrokovati električni udar)
- Ne smiju se koristiti napulki ili tupi listovi pile ili takvi koji su promijenili svoj oblik
PJESKARENJE
- Prašina od materijala kao što su boje koje sadrže olovo, neke vrste drveća, minerali i metal mogu biti opasne (dodir s prašinom ili njeno udisanje mogu prouzročiti alergične reakcije i/ili respiratorna oboljenja rukovatelja ili posmatrača); **nosite masku za zaštitu od prašine i radite s uređajem za ekstrakciju prašine ukoliko ga možete priključiti**
- Određene vrste prašine klasificiraju se kao karcinogene (kao što su prašina hrastovine i bukovine), osobito u sudjelstvu s aditivima za kondicioniranje drveta; **nosite masku za zaštitu od prašine i radite s uređajem za ekstrakciju prašine ukoliko ga možete priključiti**
- Nacionalni uvjeti za materijale s kojima želite raditi
- **Uređaj koristite samo za suho pjeskarenje** (prodiranje vode u uređaj povećava opasnost od udara električne struje)
- Ne dirati brusni papir koji je u pokretu
- Ne koristiti više istrošene, napukle ili jako začepljene brusne papire
- Kod brušenja metala dolazi od iskrenja; ne koristite usisavač prašine, a ostale osobe kao i zapaljive materijale držite dalje od radnog područja

POSLUŽIVANJE

- Promjena dodatne opreme ⑤
- ! **izvući mrežni utikač**
 - uklonite/postavite dodatni pribor u skladu s prikazom na slici
 - otvori na dodatnom priboru moraju odgovarati jezičcima na glavi uređaja (bilo kojem položaju "sjedanja" na mjesto)

- montirajte pribor tako da upušteni centar gleda prema dolje
- odvijte/privijte vijak A šesterokutnim ključem B
- **provjerite tijesno usjedanje pribora** (nepravilno ili nedovoljno pričvršćen pribor može se olabaviti tijekom rada i prouzročiti opasnu situaciju)
- Pričvršćenje brusnog papira ⑥
 - prije montaže brusnog papira treba lupnuti po VELCRO materijalu na brusnoj ploči C ②
 - VELCRO brusni papir staviti kao na ilustraciji
 - ! **za usisavanje prašine trebate perforirani papir rupe u perforiranom papiru trebaju se podudarati s onima za brusnu ploču**
 - ! **istrošeni brusni papir treba pravovremeno zamijeniti**
 - ! **uređaj koristite samo ako je kompletna VELCRO površina pokrivena brusnim papirom**
- Uklanjanje prašine/strugotine ⑦
 - montirajte uređaj za odsis prašine D prema prikazu na slici
 - priključiti usisavač
 - ! **ne koristite dodatak za prašinu/usisavač pri brušenju metala**
 - vrećicu za prašinu D praznite redovito kako biste postigli optimalno skupljanje viška prašine
- Uključivanje/isključivanje
 - uređaj uključiti/isključiti pritiskom na prekidač E ② u "I"/"O" položaj
 - ! **prije nego što pribora zarezate izradak, treba se postići max. broj okretaja**
 - ! **prije isključivanja alata, isti se treba skinuti sa izratka**
- Podešavanje brzine rada ⑧
 - pomoću kotačića F potrebna brzina oscilacije može se podesiti od niske (1) do visoke (6) (i dok uređaj radi)
 - optimalna radna brzina ovisi o materijalu i može se utvrditi probnim radovima
- Držanje i vođenje uređaja
 - ! **alat kod primjene, držati samo na sivo označenim područjima ⑨**
 - otvore za strujanje zraka G ② držite nepokriveno
 - ne pritišćite alat prejako (preveliki pritisak izaziva pregrijavanje i može skratiti životni vijek dodatka)
- Dodatak za podešavanje dubine (DEPTH STOP) (nije dio standardne opreme) ⑩

SAVJETI ZA PRIMJENU

- Segmentni list pile H ② koristite za razdvajanje i upušteno rezanje drveta, žbuke, gipsa i plastike (i za rezanje u blizini rubova, u kutovima i drugim teško pristupačnim mjestima)
- List za upušteno piljenje J ② koristite za razdvajanje i duboko upušteno rezanje drveta, žbuke, gipsa i meke plastike (i za rezanje u blizini rubova, u kutovima i drugim teško pristupačnim mjestima)
- Dodatne savjete možete naći na adresi www.skil.com

ODRŽAVANJE / SERVISIRANJE

- Ovaj uređaj nije namijenjen profesionalnoj upotrebi
- Održavajte čistim uređaj i kabel (osobito otvore za hlađenje G ②)
- ! **prije čišćenja treba izvući mrežni utikač**

- Ako bi uređaj unatoč brižljivih postupaka izrade i ispitivanja ipak prestao raditi, popravak treba prepustiti ovlaštenom servisu za SKIL električne alate
- uređaj treba **nerastavljeno** predati, zajedno s računom o kupnji u najbližu SKIL ugovornu servisnu radionicu (popise servisa, kao i oznake rezervnih dijelova uređaja možete naći na adresi www.skil.com)

ZAŠTITA OKOLIŠA

- **Električne alate, pribor i ambalažu ne bacajte u kućni otpad** (samo za EU-države)
 - prema Europskoj direktivi 2012/19/EG o staroj električnoj i elektroničkoj opremi i njenoj primjeni u skladu sa nacionalnim zakonom, istrošeni električni alati moraju se sakupljati odvojeno i odvesti u posebne pogone za reciklažu
 - na to podsjeća simbol ⑪ kada se javi potreba za odlaganjem

DEKLARACIJA O SUKLADNOSTI CE

Višenamjenski uređaj 1470

Tehnički podaci ①

- Izjavljujemo uz punu odgovornost da je ovaj proizvod opisan u "Tehnički podaci" usklađen sa slijedećim normama ili normativnim dokumentima: EN 60745, EN 61000, EN 55014, prema odredbama smjernica 2014/30/EU, 2006/42/EG, 2011/65/EU
- **Tehnička dokumentacija se može dobiti kod:** SKIL Europe BV (PT-SEU/ENG1), 4825 BD Breda, NL

Marijn van der Hoofden
Operations & Engineering

Olaf Dijkgraaf
Approval Manager

SKIL Europe BV, 4825 BD Breda, NL

29.07.2014

BUCI/VIBRACIJAMA

- Mjereno prema EN 60745 prag zvučnog tlaka ovog električnog alata iznosi 92 dB(A) a jakost zvuka 103 dB(A) (standardna devijacija: 3 dB), a vibracija * m/s² (vektorski zbroj u tri smjera; nesigurnost K = 1,5 m/s²)
 - * prilikom pjeskarenja 8,8 m/s²
 - * pri rezanju s listom za upušteno piljenje 13,9 m/s²
 - * pri rezanju s listom za segmentno piljenje 7,2 m/s²
- Razina emitiranja vibracija izmjerena je sukladno normiranom testu danom u EN 60745; ona se može koristiti za usporedbu jedne alatke s drugom, te preliminarnu procjenu izloženosti vibracijama pri uporabi alatke za navedene namjene
 - uporaba ove alatke za druge namjene ili s drugim ili slabo održanim nastavcima, može u značajnoj mjeri **uvećati** razinu izloženosti
 - vrijeme tokom kojega je alatka isključena, ili je uključena ali se njome ne radi, može značajno **umanjiti** razinu izloženosti
- ! **zaštitite se od posljedica vibracija održavanjem alatke i njezinih nastavaka, održavanjem Vaših ruku toplima, te organiziranjem Vaših obrazaca rada**

UPUTSTVO

- Ovaj alat je namenjen za testerisanje i sečenje drveta, plastike, maltera, metala i mekih zidnih pločica, kao i za suvo brušenje i poliranje manjih površina
- Zahvaljujući oscilujućem pogonu, alat se do 22000 puta u minutu pomeri za 3°, što ga čini naročito pogodnim za precizan rad na ovičnim, uskim i drugim teško dostupnim mestima
- Ovaj alat nije namenjen za profesionalnu upotrebu
- Ovaj alat prihvata većinu dostupnog višenamenskog pribora, uključujući BOSCH OIS pribor ③
- Pažljivo pročitajte i sačuvajte ova uputstva za rukovanje ④

TEHNIČKI PODACI ①

ELEMENTI ALATA ②

- A Stezni zavrtanj sa podloškom
- B Imbus ključa
- C Brusna ploča
- D Uređaj za izvlačenje prašine
- E Prekidač za uključivanje/isključivanje
- F Točkić za biranje brzine
- G Prorezi za hlađenje
- H Sečivo segmentne testere
- J Sečivo ubodne testere (drvo, 20 mm)
- K Brusni list (grubi)
- L Brusni list (fini)
- M Dodatak za podešavanje dubine *

* NIJE UKLJUČENA U STANDARDNU PONUDU

SIGURNOST

OPŠTA UPUTSTVA O SIGURNOSTI

⚠ PAŽNJA! Čitajte sva upozorenja i uputstva. Propusti kod pridržavanja upozorenja i uputstava mogu imati za posledicu električni udar, požar i/ili teške povrede. **Čuvajte sva upozorenja i uputstva za budućnost.** Pojam upotrebljen u upozorenjima "električni alat" odnosi se na električne alate sa radom na mreži (sa mrežnim kablom) i na električne alate sa radom na akumulator (bez mrežnog kabela).

1) SIGURNOST NA RADNOM MESTU

- Držite Vaše područje rada čisto i pospremljeno.** Nered ili neosvetljena radna područja mogu voditi nesrećama.
- Ne radite sa aparatom u okolini ugroženoj od eksplozija u kojoj se nalaze zapaljive tečnosti, gasovi ili prašine.** Električni alati proizvode varnice, koje mogu zapaliti prašinu ili isparenja.
- Za vreme korišćenja električnog alata držite podalje decu i druge osobe.** Kod skretanja možete izgubiti kontrolu nad aparatom.

2) ELEKTRIČNA SIGURNOST

- Utikač za priključak aparata mora odgovarati utičnoj kutijici. Utikač se nesme nikako menjati. Ne upotrebljavajte adaptere utikača zajedno sa aparatima sa uzemljenom zaštitom.** Ne promenjati utikači i odgovarajuće utičnice smanjuju rizik od električnog udara.
- Izbegavajte telesni kontakt sa uzemljenim gornjim površinama, kao što su cevi, grejanja, šporeti i rashladni ormani.** Postoji povećani rizik od električnog udara, ako je Vaše telo uzemljeno.
- Držite aparat podalje od kiše ili vlage.** Prodiranje vode u električni aparat povećava rizik od električnog udara.
- Ne koristite kabl da bi aparat nosili, obesili ili ga izvlačili iz utičnice. Držite kabl dalje od vrelina, ulja, oštih ivica ili pokretnih delova aparata.** Oštećeni ili zamršeni kablovi povećavaju rizik od električnog udara.
- Ako sa nekim električnim alatom radite u prirodi, upotrebljavajte samo produžne kablove koji su dozvoljeni za spoljno područje.** Upotreba produžnog kabla pogodnog za spoljno područje smanjuje rizik od električnog udara.
- Ako rad električnog alata ne može da se izbegne u vlažnoj okolini, koristite prekidač strujne zaštite pri kvaru.** Upotreba prekidača strujne zaštite pri kvaru smanjuje rizik od električnog udara.

3) SIGURNOST OSOBA

- Budite pažljivi, pazite na to, šta radite i idite razumno na posao sa električnim alatom. Ne upotrebljavajte aparat, kada ste umorni ili pod uticajem droga, alkohola ili lekova.** Momenat nepažnje kod upotrebe aparata može voditi do ozbiljnih povreda.
- Nosite ličnu zaštitnu opremu i uvek zaštitne naočare.** Nošenje lične zaštitne opreme, kao maske za prašinu, sigurnosne cipele koje ne klizaju, zaštitni šlem ili zaštitu za sluh, zavisno od vrste i upotrebe električnog alata, smanjujete rizik od povreda.
- Izbegavajte nenamerno puštanje u rad. Uverite se da je električni alat isključen, pre nego što ga priključite na struju i/ili na akumulator, uzmete ga ili nosite.** Ako prilikom nošenja električnog alata držite prst na prekidaču ili aparat uključen priključujete na struju, može ovo voditi nesrećama.
- Uklonite alate za podešavanje ili ključeve za zavrtanje, pre nego što uključite aparat.** Alat ili ključ koji se nalazi u delu aparata koji se okreće, može voditi povredama.
- Ne preценjujete sebe. Pobrnite se da sigurno stojite i održavajte u svako doba ravnotežu.** Na taj način možete bolje kontrolisati aparat u neočekivanim situacijama.
- Nosite pogodno odelo. Ne nosite široko odelo ili nakit. Držite kosu, odelo i rukavice podalje od pokretnih delova.** Opušteno odelo, nakit ili duža kosa mogu biti zahvaćeni od rotirajućih delova.
- Ako se mogu montirati uređaji za usisavanje prašine i uređaji za hvatanje prašine, uverite se da li su priključeni i ispravno koriste.** Upotreba usisavanja prašine može smanjiti opasnosti od prašine.

4) BRIŽLJIVO OPHODJENJE I KORIŠĆENJE ELEKTRIČNIH ALATA

- a) **Ne preopterećujte aparat. Upotrebļjavajte za Vaš posao električni alat određen za to.** Sa odgovarajućim električnim alatom radićete bolje i sigurnije u navedenom području rada.
- b) **Ne upotrebljavajte električni alat, čiji je prekidač u kvaru.** Električni alat koji više ne može da se uključi ili isključi je opasan i mora da se popravi.
- c) **Izvućite utikač iz utičnice i/ili uklonite akumulator pre nego što preduzmete podešavanja na aparatu, promenu delova pribora ili ostavite aparat.** Ova mera opreza sprečava nenameran start aparata.
- d) **Čuvajte nekorišćene električne alate izvan domašaja dece. Ne dopustite osobama da koriste aparat, koje ga ne poznaju ili nisu proćitali ova uputstva.** Elektrićni alati su opasni, ako ih koriste neiskusne osobe.
- e) **Održavajte aparat brižļljivo. Kontrolišite, da li pokretni delovi aparata funkcionišu besprekorno i ne slepljuju, da li su delovi slomljeni ili tako oštećeni, da je funkcija aparata oštećena. Popravite oštećene delove pre upotrebe aparata.** Mnoge nesreće imaju svoj uzrok u loše održavanim elektrićnim alatima.
- f) **Držite alate za sećenja oštre i čiste.** Brižļljivo negovani alati za sećenje sa oštrim sećivima manje slepljuju i lakše se vode.
- g) **Upotrebljavajte elektrićne alate, pribor, alate koji se umeću itd. prema ovim uputstvima. Obratite pažnju pritom na uputstva za rad i posao koji treba izvesti.** Upotreba elektrićnih alata za druge od propisanih namena može voditi opasnim situacijama.

5) SERVIS

- a) **Neka Vam Vaš aparat popravlja samo kvalifikovano stručno osoblje i samo sa originalnim rezervnim delovima.** Na taj način se obezbeđuje da ostane saćuvana sigurnost aparata.

BEZBEDNOSNA UPUTSTVA ZA VIŠENAMENSKE ALATE

OPŠTA

- Ovaj alat ne treba da koriste osobe ispod 16 godina
- Produžni kabl koji koristite mora da bude sasvim odmotan i siguran, sa kapacitetom od 16 A
- Uvek se uverite da je napon struje isti kao i napon naveden na ploćici sa nazivom alatu (alati na kojima je naveden napon od 230V ili 240V mogu da rade i na 220V)
- Izbegavajte oštećenja od šrafova, ekseera i drugih predmeta na vašem području rada; uklonite ih pre nego što započnete rad
- **Obezbedite radni predmet** (radni predmet stegnut pomoću stega ili nećeg sličnog je mnogo stabilniji neko kada se drži rukom)
- **Ne obradļujte nikakav materijal koji sadrži azbest** (azbest važi kao izazivać raka)
- **Obavezno iskopćajte alat iz elektrićne utičnice pre nego što izvršite bilo kakva podešavanja ili zamenu pribora**
- Prilikom rada alat treba držati sa obe ruke i zauzeti siguran stav
- Kabl uvek držite podalje od pokretnih delova alata; uvek ga treba držati iza alata

- **Koristite zaštitne rukavice prilikom zamene pribora** (kontakt sa priborom može dovesti do povređivanja)
- U slučaju da dođe do elektrićnog ili mehanićkog kvara, odmah iskljućite alat i iskopćajte ga iz utičnice
- Ako se kabl ošteti ili preseće u toku rada, odmah ga iskopćajte i nemojte ga dodirivati
- Nikada nemojte da koristite alat ako je kabl oštećen; zamenu kabla mora da obavi stručno lice
- Kada završite rad sa alatom, iskljućite motor i proverite da li su se zaustavili svi pokretni delovi
- **PRILIKOM TESTERISANJA/SEĆENJA**
- **Držite elektrićni alat za izolovane hvataljke kada izvodite radove kod kojih upotrebljeni alat može da susretne skrivene vodove struje ili kabl samog alata** (kontakt sa jednim vodom koji sprovodi struju može da stavi pod napon metalne delove uređaja i da utiće na elektrićni udar)
- **Udaljite ruke iz oblasti sećenja;** nikada i ni u kom slučaju ne posežite ispod materijala tokom sećenja
- **Koristite odgovarajuće aparate za proveru dali se u zidu koji bušimo nalaze skrivene instalacije, ili za taj posao nađite odgovarajuće preduće** (kontakt sa elektrićnim vodovima može izazvati požar ili elektrićni udar; oštećenje gasovoda može izazvati eksploziju; probijanje cevi sa vodom uzrokuje štete ili može izazvati elektrićni udar)
- Ne koristite sećivo koje je napuklo, deformisano ili tupo
- **KOD BRUŠENJA I POLIRANJA**
- Prašina od materijala, kao što su boja koja sadrži olovo, neke vrste drveta, minerali i metal, može biti opasna (dodir ili udisanje prašine može prouzrokovati alergijske reakcije i/ili respiratorna oboljenja rukovaoća i lica u blizini); **nosite masku protiv prašine i radite uz uključeni uređaj za ekstrakciju prašine kada radite na mestima gde ju je moguće prikljućiti**
- Određene vrste prašine su klasifikovane kao kancerogene (kao što su prašina hrastovine i bukovine), posebno u sadejstvu sa aditivima za pripremu drveta; **nosite masku protiv prašine i radite uz uključeni uređaj za ekstrakciju prašine kada radite na mestima gde ju je moguće prikljućiti**
- Prati nacionalne propise vezane za prašinu koja se proizvodi prilikom rada na obrađivanim materijalima
- **Alat koristite samo za suvo brušenje i poliranje** (prodiranje vode u alat povećava opasnost od elektrićnog udara)
- Nemojte da dirate brusni papir koji je u pokretu
- Nemojte da koristite istrošen, pohaban ili veoma zapušen brusni papir
- Kod brušenja metala, dolazi do varnićenja; nemojte da koristite usisivać, a ostale osobe i zapaljivi materijali treba da budu dalje od područja rada

UPUTSTVO ZA KORIŠĆENJE

- Menjanje pribora (5)
- **! iskopćajte utikać**
- uklonite/montirajte potrebni pribor kao što je ilustrovano
- neka otvori pribora obavezno zahvate ploćice glave alata (u svakoj mogućoj uklopnoj poziciji)
- montirajte pribor sa pritisnutim centrom okrenutim nadole

- otpustite/zategnite zavrtanj A pomoću heksagonalnog ključa B
- **proverite da li pribor čvrsto naleže** (nepravilno ili nezbežno pričvršćen pribor može postati labav tokom rada i izazvati opasnost)
- Postavljanje brusnog papira ⑥
 - istrestite prašinu iz VELCRO materijala na brusnoj ploči C ② pre nego što montirate brusni papir
 - postavite VELCRO brusni papir kao što je prikazano na slici
 - ! **za usisavanje prašine je potreban perforiran brusni papir**
 - ! **perforacija brusnog papira treba da se podudara sa perforacijom brusne ploče**
 - ! **pravovremeno zamenite istrošen brusni papir**
 - ! **čitava VELCRO brusna površina treba da bude prekrivena brusnim papirom svaki put kada koristite alat**
- Usisavanje prašine/opiljaka ⑦
 - montirajte uređaj za izvlačenje prašine D kao što je ilustrovano
 - priključite usisivač
 - ! **nemojte koristiti uređaj za izvlačenje prašine/ usisivač kada brusite metal**
 - redovno čistite uređaj za usisavanje prašine D za optimalne performanse sakupljanja prašine
- Uključivanje/isključivanje
 - uključite/isključite alat pritiskajući prekidač E ② u "I"/"O" poziciju
 - ! **alat bi trebalo da radi u punoj brzini pre nego što pribor dodirne područje rada**
 - ! **uređaj treba da ga podignete sa područja rada pre nego što ga isključite**
- Podešavanje radne brzine ⑧
 - pomoću točka F možete podesiti potrebnu frekvenciju oscilovanja od niskog (1) do visokog (6) stepena (i tokom rada alata)
 - optimalna radna brzina zavisi od materijala i može se utvrditi praktičnim pokušajima
- Držanje i upravljanje alata
 - ! **dok radite, uvek držite alat za mesto(a) koje(a) su označena sivom bojom ⑨**
 - preorezi za hlađenje G ② moraju da budu otvoreni
 - ne pritiskajte alat prekomerno (prekomeran pritisak izazvaće prekomernu toplotu i može skratiti radni vek dodatka)
- Dodatak za podešavanje dubine (DEPTH STOP) (ne dobija se zajedno sa alatom) ⑩

SAVETI ZA PRIMENU

- Koristite sečivo segmentne testere H ② za separaciju i ubodne rezove u drvetu, malteru, gipsu i plastici (takođe za testerisanje u blizini ivica, u uglovima i drugim teško dostupnim područjima)
- Koristite sečivo ubodne testere J ② za separaciju i ubodne rezove u drvetu, malteru, gipsu i mekoj plastici (takođe za testerisanje u blizini ivica, u uglovima i drugim teško dostupnim područjima)
- Za više saveta pogledajte www.skil.com

ODRŽAVANJE / SERVIS

- Ovaj alat nije namenjen za profesionalnu upotrebu
- Alat i kabl uvek održavajte čistim (posebno otvore za hlađenje G ②)
- ! **pre čišćenja iskopčajte kabl iz utičnice**
- Ako bi alat i pored brižljivog postupka izrade i kontrole nekada otkazao, popravku mora vršiti neki autorizovani servis za SKIL-električne alate
 - pošaljite **nerastavljeni** alat zajedno sa potvrdom o kupovini vašem nabavljaču ili najbližem SKIL servisu (adrese i oznake rezervnih delova možete naći na www.skil.com)

ZAŠTITA OKOLINE

- **Električne alate, pribora i ambalaže ne odlažite u kućne otpatke** (samo za EU-države)
 - prema Evropskoj direktivi 2012/19/EG o staroj električnoj i elektronskoj opremi i njenoj upotrebi u skladu sa nacionalnim pravom, električni alati koji su istrošeni moraju biti sakupljeni odvojeno i dostavljeni pogonu za reciklažu
 - simbol ⑪ će vas podsetiti na to

DEKLARACIJA O USKLAĐENOSTI CE

Višenamenski alat 1470

Tehnički podaci ①

- Izjavljujemo na vlastitu odgovornost da je pod "Tehnički podaci" opisani proizvod usaglašen sa sledećim standardima ili normativnim aktima: EN 60745, EN 61000, EN 55014 prema odredbama smernica 2014/30/EU, 2006/42/EG, 2011/65/EU
- **Tehnička dokumentacija kod:** SKIL Europe BV (PT-SEU/ENG1), 4825 BD Breda, NL

Marijn van der Hoofden Olaf Dijkgraaf
Operations & Engineering Approval Manager




SKIL Europe BV, 4825 BD Breda, NL

29.07.2014

BUKA/VIBRACIJE

- Mereno u skladu sa EN 60745 nivo pritiska zvuka ovog alata iznosi 92 dB(A) a jačina zvuka 103 dB(A) (normalno odstupanje: 3 dB), a vibracija * m/s² (zbir vektora tri pravca; nesigurnost K = 1,5 m/s²)
 - * tokom suvo brušenja 8,8 m/s²
 - * prilikom sečenja sečivom ubodne testere 13,9 m/s²
 - * prilikom sečenja sečivom segmentne testere 7,2 m/s²
- Nivo emisije vibracija izmeren je u skladu sa standardizovanim testom datim u EN 60745; on se može koristiti za upoređenje jedne alatke sa drugom, kao i za preliminarnu procenu izloženosti vibracijama pri korišćenju ove alatke za pomenute namene
 - korišćenje alatke u drugačije svrhe ili sa drugačijim ili slabo održavanim nastavcima može značajno povećati nivo izloženosti

- vreme kada je alatka isključena ili kada je uključena, ali se njome ne radi, može značajno **smanjiti** nivo izloženosti

! **zaštitite se od posledica vibracija održavanjem alatke i njenih nastavaka, održavajući Vaše ruke toplim i organizovanjem Vaših radnih obrazaca**

SLO

Večnamensko orodje

1470

UVOD

- To orodje je namenjeno žaganju ter rezanju lesa, plastike, mavca, kovin in mehkih stenskih ploščic ter brušenju manjših površin
- Nihajni pogon dodatka omogoča nihanje do 22000-krat na minuto za 3°, zaradi česar je orodje izjemno primerno za izvajanje natančnih del na robovih, ozkih predelih in drugih težko dosegljivih mestih
- To orodje ni namenjeno profesionalni uporabi
- To orodje omogoča uporabo običajne opreme za večnamenska orodja, vključno z obstoječo opremo za orodja BOSCH OIS ③
- Preberite in shranite navodila za uporabo ④

TEHNIČNI PODATKI ①

DELI ORODJA ②

- A** Spojni vijak s tesnilom
- B** Imbus ključ
- C** Brusilna plošča
- D** Naprava za odpraševanje
- E** Stikalo vklopi/izklopi
- F** Kolesce za izbiro hitrosti
- G** Ventilacijske reže
- H** Segmentni žagin list
- J** Žagin list za potopne reze (les, 20 mm)
- K** Brusni papir (grobe zrnatosti)
- L** Brusni papir (fine zrnatosti)
- M** Pripomoček za nastavitev globine *

* NI DEL STANDARNE OPREME

VARNOST

SPLOŠNA VARNOSTNA NAVODILA

⚠ OPOZORILO! Preberite vsa opozorila in napotila. Napake zaradi neupoštevanja spodaj navedenih opozoril in napotil lahko povzročijo električni udar, požar in/ali težke telesne poškodbe. **Vsa opozorila in napotila shranite, ker jih boste v prihodnje še potrebovali.** Pojem "električno orodje", ki se pojavlja v nadaljnjem besedilu, se nanaša na električna orodja z električnim pogonom (z električnim kablom) in na akumulatorska električna orodja (brez električnega kabla).

1) VARNOST NA DELOVNEM MESTU

- a) **Poskrbite, da bo Vaše delovno mesto vedno čisto in urejeno.** Nered ali neosvetljena delovna področja lahko povzročijo nezgode.
- b) **Prosimo, da orodja ne uporabljate v okolju, kjer je nevarnost za eksplozije in v katerem se nahajajo gorljive tekočine, plini in prah.** Električna orodja povzročajo iskre, zato se gorljivi prah ali pare lahko vnamejo.
- c) **Ne dovolite otrokom in drugim osebam, da bi se medtem ko delate, približali električnemu orodju.** Druge osebe lahko odvrnejo Vašo pozornost drugam in izgubili boste nadzor nad orodje.

2) ELEKTRIČNA VARNOST

- a) **Vtič mora ustrezati električni vtičnici in ga pod nobenim pogojem ne smete spreminjati. Uporaba adapterskih vtičev v kombinaciji z ozemljena orodja ni dovoljena.** Originalni oziroma nespremenjeni vtiči in ustrezne vtičnice zmanjšujejo tveganje električnega udara.
- b) **Izogibajte se telesnemu stiku z ozemljenimi površinami, na primer s cevmi, grelci, štedilniki in hladilniki.** Če je ozemljeno tudi vaše telo, obstaja povečano tveganje električnega udara.
- c) **Zavarujte orodje pred dežjem ali vlago.** Vdor vode v električno orodje povečuje tveganje električnega udara.
- d) **Električnega kabla ne uporabljajte za prenašanje ali obežanje orodja in ne vlecite vtič iz vtičnice tako, da vlečete za kabel. Zavarujte kabel pred vročino, oljem, ostrimi robovi in premikajočimi se deli orodja.** Poškodovani ali prepleteni kabli povečujejo tveganje električnega udara.
- e) **Če z električnim orodjem delate na prostem, uporabljajte izključno kabelski podaljšek, ki je atestiran za delo na prostem.** Uporaba kabelskega podaljška, primernega za delo na prostem, zmanjšuje tveganje električnega udara.
- f) **Če je uporaba električnega orodja v vlažnem okolju neizogibna, uporabljajte prekinjevalec električnega tokokroga.** Prekinjevalec električnega tokokroga zmanjšuje tveganje električnega udara.

3) OSEBNA VARNOST

- a) **Bodite zbrani in pazite, kaj delate. Dela z električnim orodjem se lotite razumno. Nikoli ne uporabljajte orodja, če ste utrujeni in če ste pod vplivom mamil, alkohola ali zdravil.** En sam trenutek nepazljivosti pri uporabi orodja ima lahko za posledico resne telesne poškodbe.
- b) **Uporabljajte osebna zaščitna sredstva in vedno nosite zaščitna očala.** Uporaba osebnih zaščitnih sredstev, na primer maske proti prahu, nedrsečih zaščitnih čevljev, zaščitne čelade in slušnikov, odvisno od vrste in uporabe električnega orodja, zmanjšuje tveganje telesnih poškodb.
- c) **Izogibajte se nenamernemu zagonu. Pred priključitvijo električnega orodja na električno omrežje in/ali na akumulator in pred dviganjem ali nošenjem se prepričajte, če je električno orodje izklopljeno.** Prenašanje naprave s prstom na stikalo ali priključitev vklopljenega električnega orodja na električno omrežje je lahko vzrok za nezgodo.

- d) **Pred vklopom orodja odstranite z nje nastavitvena orodja ali vijačni ključ.** Orodje ali ključ, ki se nahajata na vrtečem se delu električnega orodja, lahko povzročita nezgodo.
- e) **Ne preneajte se in poskrbite za varno stojišče in stalno ravnotežje.** Tako boste lahko v nepričakovani situaciji bolje obvladali orodje.
- f) **Nosite primerno obleko, ki naj ne bo preohlapna. Ne nosite nakita. Lasje, oblačilo in rokavice naj se ne približujejo premikajočim se delom orodja.** Premikajoči se deli orodja lahko zgrabijo ohlapno obleko, nakit, ali dolge lase.
- g) **Če je možno na orodje namestiti priprave za odsesavanje in prestrezanje prahu, prepričajte se, ali so le-te priključene in, če jih pravilno uporabljate.** Uporaba priprave za odsesavanje prahu zmanjšuje zdravstveno ogroženost zaradi prahu.
- 4) RAVNANJE IN NEGA ROČNEGA ORODJA**
- a) **Ne preobremenjujte orodja. Za določeno delo uporabljajte električno orodje, ki je predvideno za opravljanje tega dela.** Z ustreznim električnim orodjem boste delo opravili bolje in varneje, ker je bilo v ta namen tudi konstruirano.
- b) **Električno orodje, ki ima pokvarjeno stikalo, ne uporabljajte.** Električno orodje, ki ga ni možno vklopiti ali izklopiti, je nevarno in ga je potrebno popraviti.
- c) **Pred nastavljanjem naprave, zamenjavo delov pribora ali odlaganjem naprave izvlecite vtiaka iz električne vtičnice in/ali odstranite akumulator.** Ta previdnostni ukrep onemogoča nepredviden zagon orodja.
- d) **Kadar orodja ne uporabljate ga shranjujte izven dosega otrok. Osebam, ki orodja ne poznajo ali niso prebrale teh navodil, orodja ne dovolite uporabljati.** Električna orodja so nevarna, če jih uporabljajo neizkušene osebe.
- e) **Skrbno negujte orodje. Preverite, če premikajoči se deli orodja delujejo brezhibno in če se ne zatikajo, oziroma, če kakšen del orodja ni zlomljen ali poškodovan do te mere, da bi ovirali njegovo delovanje. Pred nadaljnjo uporabo je potrebno poškodovani del popraviti.** Vzrok za številne nezgode so ravno slabo vzdrževana električna orodja.
- f) **Rezalna orodja naj bodo ostra in čista.** Skrbno negovana rezalna orodja z ostrimi rezili se manj zatikajo in so boljje vodljiva.
- g) **Električna orodja, pribor, nastavke in podobno uporabljajte v skladu s temi navodili. Pri tem upoštevajte delovne pogoje in vrsto dela, ki ga nameravate opraviti.** Zaradi uporabe električnega orodja v druge, nepredvidene namene, lahko nastanejo nevarne situacije.
- 5) SERVIS**
- a) **Popravilo orodja lahko opravi samo usposobljena strokovna oseba in to izključno z originalnimi nadomestnimi deli.** Le tako bo ohranjena nadaljnja varnost orodja.
- Vedno preverite, če je napetost omrežja enaka napetosti, ki je navedena na tablici orodja (orodje z nazivno napetostjo 230V ali 240V lahko priključite tudi na napetost 220V)
- Izogibajte se poškodb zaradi vijakov, žebeljev ali drugih elementov v obdelovancu; odstranite jih pred začetkom dela
- **Zavarujte obdelovanec** (obdelovanec stisnjen v prižemi ali primežu je bolj varen kot v roki)
- **Ne obdelujte materiala, ki vsebuje azbest** (azbest povzroča rakasta obolenja)
- **Vedno izvlecite električni vtiaka iz vtičnice preden spreminjate nastavitve ali menjate pribor**
- Med delom čvrsto držite orodje z obema rokama in si zagotovite stabilno in varno pozicijo
- Kabel naj bo vedno odmaknjen od gibljivih delov stroja; usmerite ga proti zadnjemu delu, stran od stroja
- **Pri menjavanju priključkov nosite zaščitne rokavice** (stik s priključkom lahko povzroči poškodbe)
- Če pride do električnih ali mehanskih okvar, takoj izklopite stroj in izvlecite vtiaka iz vtičnice
- Če je priključni kabel poškodovan ali se med delom pretрга se ga ne dotikajte, temveč takoj potegnite električni vtiaka iz vtičnice
- Nikoli ne uporabljajte orodja, če je kabel poškodovan; okvaro naj odpravi strokovnjak
- Ko orodje postavite v stran, izklopite motor in pazite, da se vsi premikajoči se deli orodja popolnoma zaustavijo
MED ŽAGANJEM/REZANJEM
- **Električno orodje smete držati le na izoliranem ročaju, če delate na območju, kjer lahko vstavljenno orodje pride v stik s skritimi omrežnimi napeljavami ali lastni omrežni kabel** (stik z napeljavo, ki je pod napetostjo povzroči, da so posledično tudi kovinski deli orodje pod napetostjo in to vodi do električnega udara)
- **Ne segajte z rokami v področje rezanja;** med rezanjem nikoli ne segajte pod material
- **Za iskanje skritih električnih, plinskih in vodovodnih cevi uporabite primerne iskalne naprave (detektorje) ali se posvetujte z lokalnimi podjetji** (stik z električnimi vodniki lahko povzroči požar ali električni udar; poškodbe plinovoda lahko povzročijo eksplozijo, vdor v vodovodno omrežje pa materialno škodo ali električni udar)
- Ne uporabljajte poškodovanih, deformiranih ali topih žaginih listov
MED BRUŠENJEM
- Prah materialov, kot so barve, ki vsebujejo svinec, nekatere vrste lesa, mineralov ali kovin so lahko škodljivi (ob stiku ali vdihavanju lahko prah pri delavcu ali pri drugih prisotnih povzroči alergijsko reakcijo in/ali bolezní dihal); **nosite masko za prah in pri delu uporabljajte napravo za odsesavanje prahu, kjer je le-to možno priključiti**
- Nekatere vrste prahu so klasificirane kot kancerogene (kot npr. prah hrasta in bukke) še posebno ob sočasni uporabi z dodatki za obdelavo lesa; **nosite masko za prah in pri delu uporabljajte napravo za odsesavanje prahu, kjer je le-to možno priključiti**
- Upoštevajte nacionalne zahteve glede prahu za materiale katere želite obdelovati

VARNOSTNA NAVODILA ZA VEČNAMENSKA ORODJA

SPLOŠNO

- Orodja naj ne bi uporabljale osebe mlajše od 16 let
- Uporabljajte povsem iztegnjene in varne električne podaljške, z jakostjo 16 amperov

- **Orodje uporabite izključno za suho brušenje** (vdor vode v orodje poveča tveganje za električni udar)
- Ne dotikajte se premikajoče se brusnega papirja
- Ne uporabljajte izrabljenih in raztrganih brusnih papirjev, ki so že močno grudasti
- Pri brušenju kovinskih delov se iskri; ne uporabljajte sesalnika z delovnega področja odstranite vnetljive materiale in ne dovolite, da se področju dela približujejo druge osebe

UPORABA

- Zamenjava dodatne opreme ⑤
 - ! **izključite vtičak**
 - odstranite/namestite zahtevan priključek, kot je prikazano na sliki
 - zagotovite, da odprtine priključka zaskočijo z jezički glave orodja (možni so vsi vpeti položaji)
 - priključek namestite z nepritrjenim središčem navzdol
 - vijak A zrahljajte/pričvrstite s ključem inbus B
 - **preverite pričvrščenost priključka** (neustrezno ali površno nameščeni priključki se lahko med delovanjem odklopijo in povzročijo nevarnost)
- Namestitev brusnega papirja ⑥
 - pred namestitvijo brusilnega lista izprašite material VELCRO na brusilni plošči C ②
 - namestite brusni papir VELCRO, kot kaže slika
 - ! **za sesanje prahu potrebujete perforiran brusni papir**
 - ! **perforirani deli na brusnem papirju bi se morali ujemati s perforiranimi deli na brusni plošči**
 - ! **pravočasno zamenjajte brusne papirje**
 - ! **površina iz materiala VELCRO naj bo med vsako uporabo orodja prekrita z brusilnim papirjem**
- Odstranjevanje prahu/žagovine ⑦
 - napravo za odpraševanje D namestite, kot je prikazano na sliki
 - priključite sesalnik
 - ! **naprave za odpraševanje / vakuumskega čistilnika ne uporabljajte med brušenjem kovine**
 - napravo za odpraševanje D redno čistite in tako zagotovite optimalno odpraševanje
- Vkllop/izklop
 - vklopite/izklopite orodje s premikom stikala E ② v položaj "I"/"O"
 - ! **preden pribor doseže obdelovanec naj orodje doseže polno hitrost**
 - ! **preden orodje izklopite, bi ga morali odmakniti od predmeta, ki ga obdelujete**
- Nastavljanje delovne hitrosti ⑧
 - s kolescem F je mogoče zahtevano nihajno frekvenco nastaviti med nizko (1) in visoko (6) (tudi med delovanjem orodja)
 - najprimernejša delovna hitrost je odvisna od materiala in jo lahko določimo s praktičnim poskušanjem
- Držanje in vodenje orodja
 - ! **med delom vedno držite orodje za sivo obarvano mesto oprijema** ④
 - ventilacijske reže G ② morajo biti nepokrite
 - ne pritiskajte premočno na orodje (premočan pritisk povzroči prekomerno segrevanje in lahko skrajša življenjsko dobo pripomočka)

- Pripomoček za nastavitev globine (DEPTH STOP) (ni vključena v standardno opremo) ⑩

UPORABNI NASVETI

- Za ločevalne in potopne reze v les, mavec, sadro in plastiko (tudi za rezanje v bližini robov, kotov in drugih težko dosegljivih mest) uporabite segmentni žagin list H ②
- Za ločevalne in globoke potopne reze v les, mavec, sadro in mehko plastiko (tudi za rezanje v bližini robov, kotov in drugih težko dosegljivih mest) uporabite žagin list za potopne reze J ②
- Za več nasvetov glejte pod www.skil.com

VZDRŽEVANJE/SERVISIRANJE

- Orodje ni namenjeno profesionalni uporabi
- Priključni kabel in orodje naj bosta vedno čista (posebej še prežračevalne odprtine G ②)
 - ! **izvlecite vtičak iz vtičnice pred čiščenjem**
- Če bi kljub skrbnim postopkom izdelave in preizkušanja prišlo do izpada delovanja orodja, naj popravilo opravi servisna delavnica, pooblaščen za popravila SKILevih električnih orodij
 - pošljite **nerazstavljeno** orodje skupaj s potrdilom o nakupu pri vašemu prodajalcu v najbližjo SKIL servisno delavnico (naslovi, kot tudi spisek rezervnih delov se nahaja na www.skil.com)

OKOLJE

- **Električnega orodja, pribora in embalaže ne odstranjujte s hišnimi odpadki** (samo za države EU)
 - v skladu z Evropsko direktivo 2012/19/EG o odpadni električni in elektronski opremi in z njenim izvajanjem v nacionalni zakonodaji je treba električna orodja ob koncu njihove življenjske dobe ločeno zbirati in jih predati v postopek okolju prijaznega recikliranja
 - ko je potrebno odstranjevanje, naj vas o načinu spomni simbol ⑪

IZJAVA O SKLADNOSTI CE

Večnamensko orodje 1470

Tehnični podatki ①

- Izjavljamo pod izključno odgovornostjo, da proizvod pod "Tehnični podatki" ustreza naslednjim standardom oz. standardiziranim dokumentom: EN 60745, EN 61000, EN 55014 v skladu z določili direktiv 2014/30/EU, 2006/42/ES, 2011/65/EU
- **Tehnična dokumentacija se nahaja pri:** SKIL Europe BV (PT-SEU/ENG1), 4825 BD Breda, NL

Marijn van der Hoofden
Operations & Engineering

Olaf Dijkgraaf
Approval Manager

SKIL Europe BV, 4825 BD Breda, NL

29.07.2014

HRUP/VIBRACIJA

- Izmerjeno v skladu s predpisom EN 60745 je raven zvočnega pritiska za to orodje 92 dB(A) in jakosti zvoka 103 dB(A) (standarden odmik: 3 dB), in vibracija * m/s² (vektorska vsota treh smeri; netočnost K = 1,5 m/s²)
 - * med brušenjem 8,8 m/s²
 - * za rezanje z žaginin listom za potopne reze 13,9 m/s²
 - * za rezanje z žaginin listom za potopne reze 7,2 m/s²
 - Raven oddajanja vibracij je bila izmerjena v skladu s standardiziranimi testi, navedenimi v EN 60745; uporabi jo je mogoče za primerjavo različnih orodij med seboj in za predhodno primerjavo izpostavljenosti vibracijam pri uporabi orodja za namene, ki so omenjeni
 - uporaba orodja za drugačne namene ali uporaba skupaj z drugimi, slabo vzdrževanimi nastavki lahko znatno **poveča** raven izpostavljenosti
 - čas, ko je orodje izklopljeno ali ko teče, vendar z njim ne delamo, lahko znatno **zmanjša** raven izpostavljenosti
- ! pred posledicami vibracij se zaščitite z vzdrževanjem orodja in pripadajočih nastavkov, ter tako, da so vaše roke tople, vaši delovni vzorci pa organizirani**

EST

Mitmeotstarbeline tööriist 1470

SISSEJUHATUS

- See tööriist on mõeldud puust, plastist, ehituskipsist, metallist detailide ja pehmest materjalist seinapaneelide lõikamiseks ja väikeste pindade lihvimiseks
- Tänu vibreerivale mootorile liigub lisatarvik kuni 22000 minutis 3° ulatuses edasi-tagasi, mis teeb tööriista eriti sobivaks täpseks tööks nurkades, kitsastes ja raskesti ligipääsetavates kohtades
- See tööriist pole mõeldud professionaalseks kasutamiseks
- Käesolev tööriist ühildub enamike saadaolevate mitmeotstarbeliste tarvikutega, sh olemasolevate BOSCH OIS tarvikutega ③
- Palun lugege käesolev kasutusjuhend hoolikalt läbi ja hoidke alles ④

TEHNILISED ANDMED ①

SEADME OSAD ②

- A Kruviklamber seibiga
- B Kuuskantvõtme
- C Lihvpaber
- D Tolmueemaldusseade
- E Tööüliliti (sisse/välja)
- F Kiiruse regulaator
- G Ohutusavad
- H Segmenttera
- J Süvendite saetera (puit, 20 mm)
- K Lihvimisleht (jämedataraline)
- L Lihvimisleht (peeneteraline)
- M Sügavuse reguleerimise tarvik *

* EI KUULU STANDARDKOMPLEKTI

OHUTUS

ÜLDISED OHUTUSJUHISED

⚠ TÄHELEPANU! Kõik ohutusnõuded ja juhised tuleb läbi lugeda. Ohutusnõuete ja juhiste eiramise tagajärjeks võib olla elektrilöök, tulekahju ja/või rasked vigastused. **Hoidke kõik ohutusnõuded ja juhised edasiseks kasutamiseks hoolikalt alles.** Allpool kasutatud mõiste "elektriline tööriist" käib võrgutoitega (toitejuhtmega) elektriliste tööriistade ja akutoitega (ilma toitejuhtmeta) elektriliste tööriistade kohta.

1) OHUTUSNÕUDED TÕÕPIIRKONNAS

- Hoidke töökoht puhas ja korras.** Segadus või valgustamata tööpiirkonnad võivad põhjustada õnnetusi.
- Ärge kasutage seadet plahvatusohtlikus keskkonnas, kus leidub tuleohtlikke vedelikke, gaase või tolmu.** Elektrilistest tööriistadest lööb sädemeid, mis võivad tolmu või aurd süüdata.
- Kui kasutate elektrilist tööriista, hoidke lapsed ja teised isikud töökohast eemal.** Kui Teie tähelepanu kõrvale juhitakse, võib seade Teie kontrolli alt väljuda.

2) ELEKTROOHUTUS

- Seadme pistik peab pistikupesasse sobima. Pistiku kallal ei tohi teha mingeid muudatusi. Ärge kasutage kaitsemaandusega seadmete puhul adapterpistikuid.** Muutmata pistikud ja sobivad pistikupesad vähendavad elektrilöögi saamise riski.
 - Vältige kehakontakti maandatud pindadega, nagu torud, radiaatorid, pliidid ja külmikud.** Kui Teie keha on maandatud, on elektrilöögi risk suurem.
 - Hoidke seadet vihma ja niiskuse eest.** Kui elektriseadmesse on sattunud vett, on elektrilöögi saamise risk suurem.
 - Ärge kasutage toitejuhet selleks mitte ettenähtud otstarbel seadme kandmiseks, ülesriputamiseks ega pistiku pistikupesast väljatõmbamiseks. Hoidke toitejuhet kuumuse, õli, teravate servade ja seadme liikuvate osade eest.** Kahjustatud või keerduläänud toitejuhtmed suurendavad elektrilöögi saamise riski.
 - Kui töötate elektrilise tööriistaga vabas õhus, kasutage ainult selliseid pikendusjuhtmeid, mida on lubatud kasutada ka välitingimustes.** Välitingimustes kasutamiseks sobiva pikendusjuhtme kasutamine vähendab elektrilöögi saamise riski.
 - Kui elektrilise tööriista kasutamine niiskes keskkonnas on vältimatu, kasutage maandusega lekkevoolukaitset.** Maandusega lekkevoolukaitsme kasutamine vähendab elektrilöögi ohtu.
- #### 3) INIMESTE TURVALISUS
- Olge tähelepanelik, jälgige, mida Te teete, ning toimige elektrilise tööriistaga töötades mõistlikult. Ärge kasutage seadet, kui olete väsinud või uimastite, alkoholi või ravimite mõju all.** Hetkeline tähelepanematus seadme kasutamisel võib põhjustada tõsiseid vigastusi.
 - Kandke isikukaitsevahendeid ja alati kaitseprille.** Isikukaitsevahendid, nagu tolmu mask, libisemiskindlad turvajalatsid, kaitsekiiver või kuulmiskaitsevahendid, kandmine – sõltuvalt elektrilise tööriista tüübist ja kasutusala – vähendab vigastuste riski.

- c) **Vältige seadme tahtmatut käivitamist. Enne pistiku ühendamist pistikupessa, aku ühendamist seadme külge, seadme ülestõstmist ja kandmist veenduge, et elektriline tööriist on välja lülitatud.** Kui hoiate elektrilise tööriista kandmisel sõrme lülitil või ühendate vooluvõrku sisselülitatud seadme, võivad tagajärjeks olla õnnetused.
- d) **Enne seadme sisselülitamist eemaldage selle küljest reguleerimis- ja mutrivõtmed.** Seadme pöörleva osa küljes olev reguleerimis- või mutrivõti võib põhjustada vigastusi.
- e) **Enne seadme sisselülitamist eemaldage selle küljest reguleerimis- ja mutrivõtmed.** Seadme pöörleva osa küljes olev reguleerimis- või mutrivõti võib põhjustada vigastusi.
- f) **Ärge hinnake end üle. Võtke stabiilne tööasend ja hoidke kogu aeg tasakaalu.** Nii saate seadet ootamatutes olukordades paremini kontrollida.
- f) **Kandke sobivat rõivastust. Ärge kandke laiu riideid ega ehteid. Hoidke juuksed, rõivad ja kindad seadme liikuvatest osadest eemal.** Lotendavad riided, ehted või pikad juuksed võivad sattuda seadme liikuvate osade vahele.
- g) **Kui on võimalik paigaldada tolmuemaldus- ja tolmukogumiseseadiseid/seadmeid, veenduge, et need oleksid seadmega ühendatud ja et need kasutataks õigesti.** Tolmuemaldusseadise kasutamine vähendab tolmust põhjustatud ohte.

4) ELEKTRILISTE TÖÖRIISTADE HOOLIKAS KÄSITSEMINE JA KASUTAMINE

- a) **Ärge koormake seadet üle. Kasutage töö tegemiseks selleks ettenähtud elektrilist tööriista.** Sobiva elektrilise tööriistaga töötate paremini ja turvalisemalt ettenähtud võimsusvahemikus.
- b) **Ärge kasutage elektrilist tööriista, mille lülitit on rikkis.** Elektriline tööriist, mida ei ole enam võimalik sisse ja välja lülitada, on ohtlik ning seda tuleb remontida.
- c) **Tõmmake pistik pistikupesast välja ja/või eemaldage seadmest aku enne seadme reguleerimist, tarvikute vahetamist ja seadme ärapanekut.** See ettevaatusabinõu väldib seadme tahtmatut käivitamist.
- d) **Kasutusajal ajal hoidke elektrilist tööriista lastele kättesaamatult. Ärge laske seadet kasutada isikutel, kes seda ei tunne või pole siintoodud juhiseid lugenud.** Kogenematute kasutajate käes kujutavad elektrilised tööriistad ohtu.
- e) **Hoolitsege seadme eest. Kontrollige, kas seadme liikuvad osad funktsioneerivad korralikult ja ei kiildu kinni, ning ega mõned osad ei ole katki või sel määral kahjustatud, et võiksid mõjutada seadme töökindlust.** Laske kahjustatud osad enne seadme kasutamist parandada. Paljude õnnetuste põhjuseks on halvasti hooldatud elektrilised tööriistad.
- f) **Hoidke lõiketarvikud teravad ja puhtad.** Hoolikalt hoitud, teravate lõikeservadega lõiketarvikud kiilduvad harvemini kinni ja need on lihtsam juhtida.
- g) **Kasutage elektrilist tööriista, lisavarustust, tarvikuid jne vastavalt siintoodud juhistele. Arvestage seejuures töötingimuste ja teostatava töö iseloomuga.** Elektriliste tööriistade kasutamine mitte ettenähtud otstarbel võib põhjustada ohtlikke olukordi.
- 5) **TEENINDUS**
- a) **Laske seadmet parandada ainult kvalifitseeritud spetsialistidel ja ainult originaalvaruosadega.** Nii tagate seadme püsimise turvalisena.

OHUTUSJUHISED MITMEOTSTARBELISTELE TÖÖRIISTADELE

ÜLDIST

- Tööriista kasutaja peab olema vähemalt 16 aastat vana
- Pikendusjuhtmete kasutamisel jälgige, et juhe oleks lõpuni lahti keritud ja vastaks 16 A voolutugevusele
- Kontrollige alati, kas võrgupinge ühtib tööriista andesildil toodud pingega (andmesildil toodud 230V või 240V korral võib tööriistad kasutada ka 220V võrgupinge puhul)
- Vältige töödeldavas esemes olevatest kruvidest, naeltest vms põhjustatud kahjustusi; eemaldage need enne töö alustamist
- **Fikseerige toorik** (fiksaatoriga kinnitatud või kruustangide vahele pandud toorik püsib kindlamini paigal kui lihtsalt käega hoides)
- **Asbestisisaldava materjali töötlemine on keelatud** (asbest võib tekitada vähki)
- **Enne seadme reguleerimist või tarviku vahetust eemaldage seade vooluvõrgust (tõmmake pistik pistikupesast välja)**
- Hoidke seadet alati kindlalt kahe käega ja võtke stabiilne tööasend
- Vältige toitejuhtmete kokkupuutumist seadme pöörlevate osadega; hoidke toitejuhet alati tööriistast eemal, tagapool
- **Kasutage kaitsekindaid, kui vahetate lisatarvikuid** (kokkupuude lisatarvikuga võib põhjustada vigastusi)
- Seadme elektrilise või mehhaanilise häire korral lülitage seade viivitamatult välja ja eemaldage pistik vooluvõrgust
- Kui toitejuhe saab töötamise ajal kahjustada või see lõigatakse läbi, ärge toitejuhet puutuge, vaid eemaldage koheselt pistik vooluvõrgust
- Ärge kunagi kasutage kahjustatud toitejuhtmega tööriista; laske toitejuhe remonditöökojas välja vahetada
- Enne tööriista juurest lahkumist lülitage see välja ning oodake, kuni selle liikuvad osad on täielikult seiskunud SAAGIMISEL/LÕIKAMISEL
- **Kui teostate töid, mille puhul võib tarvik tabada varjatud elektrijuhtmeid või seadme enda toitejuhet, hoidke seadet ainult isoleeritud käepidemetel** (kontakt pingele all oleva elektrijuhtmega võib pingestada seadme metallosad ja põhjustada elektrilöögi)
- **Hoidke käed lõikepiirkonnast eemal;** ärge pange sõrmi lõikamise ajal kunagi materjali alla
- **Varjatult paiknevate elektrijuhtmete, gaasi- või veetoorude avastamiseks kasutage sobivaid otsimiseseadmeid või pöörde kohaliku elektri-, gaasi- või vee-ettevõtte poole** (kokkupuutel elektrijuhtmetega tulekahju- ja elektrilöögi oht; gaasitorustiku vigastamisel plahvatusoht; veetorustiku vigastamisel materiaalne kahju või elektrilöögi oht)
- Keelatud on kasutada rebenenud või nõrgestatud, samuti deformeerunud saeleteh LHVIMISEL
- Värvida kaetud juhtmed, mõned puiduliigid, mineraalid ja metall eraldavad tolmuga, mis võib olla kahjulik (kokkupuude tolmuga või selle sissehingamine võib seadme kasutajal või läheduses viibival inimesel põhjustada allergilisi reaktsioone ja/või hingamisteede

haugisi); **kandke tolmumaski ja vajaduse korral töötage külgeühendatava tolmueemaldusseadmega**

- Teatud tüüpi tolm on klassifitseeritud kantserogeensena (nt tammest ja kasest eralduv tolm), eriti koos puudu niiskuse reguleerimiseks kasutatavate lisanditega; **kandke tolmumaski ja vajaduse korral töötage külgeühendatava tolmueemaldusseadmega**
- Erinevate materjalide töötlemisel tekkiva tolmuga käitlemisel tuleb järgida kehtivaid nõudeid
- **Kasutage tööriista ainult kuivlihvimiseks** (vee pääsemine seadmesse suurendab elektrilöögi ohtu)
- Vältige kokkupuudet liikuva lihvipaberiga
- Ärge kasutage ülemäära kulunud, rebenenud või muul viisil vigastatud lihvipabereid
- Metallide lihvimisel lendub sademeid; ärge kasutage tolmuimejat ning jälgige, et läheduses ei oleks teisi inimesi ega tuleohtlikke materjale

KASUTAMINE

- Tarviku vahetus ⑤
 - ! **eemaldage seade vooluvõrgust**
 - eemaldage/paigaldage soovitud lisatarviku nagu illustreeritud
 - veenduge, et lisatarviku avaused lukustuvad tööriista pea keeltesse (suvaline kinnitussasend võimalik)
 - paigaldage lisatarvik niimoodi, et selle mittevajutatud keskosa on allpool
 - vabastage/pinguldage kruvid A kuuskantvõtmega B
 - **kontrollige lisatarviku fikseerumist** (lisatarvikud, mis pole korralikult pinguldatud või on valesti paigaldatud, võivad tulla töötamisel lahti ja põhjustada vigastusohu)
- Lihvpaberi kinnitamine ⑥
 - lihvitala VELCRO-takjakinnitus tuleb enne lihvipaberi C ② paigaldamist puhtaks kloppida
 - paigaldage vastavalt joonisele VELCRO lihvipaber
 - ! **tolmu imemiseks vajate aukudega paberit**
 - ! **lihvipaberi augud peaksid lihvplaadi omadega ühtima**
 - ! **vahetage kulunud lihvipaber õigeaegselt välja**
 - ! **kasutage tööriista ainult siis, kui kogu lihvimispiind on lihvipaberiga kaetud**
- Tolmu/laastude eemaldamine ⑦
 - paigaldage tolmueemaldusseade D nagu illustreeritud
 - ühendage tolmuimejat
 - ! **ärge kasutage tolmueemaldusseadet/ tolmuimejat, kui lihvite metallist pindasid**
 - puhastage tolmueemaldusseadet D regulaarselt, et tagada optimaalne tolmu eemaldamine
- Sisse/välja
 - tööriista sisse-/väljalülitamiseks viige lüliti E ② asendisse "I"/"O"
 - ! **enne tarviku kokkupuutumist töödeldava esemega peab seade olema saavutanud maksimaalsed pöörded**
 - ! **enne tööriista väljalülitamist tuleb see töödeldavalt esemelt eemaldada**
- Töökiiruse reguleerimine ⑧
 - ketta kasutamisel F saab liikumissagedust muuta aeglasest (1) kiire (6) asendini (ka siis, kui tööriist töötab)

- optimaalne töökiirus oleneb materjalist ja selle saab kindlaks määrata katsetamise teel
- Seadme hoidmine ja juhtimine
 - ! **töötamise ajal hoidke tööriista kinni korpusse ja käepideme halli värvi osadest** ⑨
 - hoidke õhutusavad G ② kinnikatmata
 - ärge rakendage tööriista kasutades ülemäärast jõudu (liiga suur surve põhjustab kuumenemist ja võib lühendada tarviku tööiga)
- Sügavuse reguleerimise tarvik (DEPTH STOP) (ei sisaldu standardvarustuses) ⑩

TÖÖJUHISED

- Kasutage segmenttera H ② puidu, krohvi, kipsi ja plasti lõikamiseks ja neisse süvendite lõikamiseks (ja servade, nurkade lähedal lõikamiseks jm raskesti ligipääsetavates kohtades)
- Kasutage süvendite saetera J ② puidu, krohvi, kipsi ja plasti lõikamiseks ja neisse sügavate süvendite lõikamiseks (ja servade, nurkade lähedal lõikamiseks jm raskesti ligipääsetavates kohtades)
- Rohkem nõuandeid leiate aadressil www.skil.com

HOOLDUS/TEENINDUS

- Tööriist pole mõeldud professionaalseks kasutamiseks
- Hoidke seade ja toitejuhe alati puhtad (eriti õhutusavad G ②)
 - ! **enne puhastamist eemaldage seade vooluvõrgust**
- Tööriist on hoolikalt valmistatud ja testitud; kui tööriist sellest hoolimata rikki läheb, tuleb see lasta parandada SKILi elektriliste käsitööriistade volitatud remonditöökojas
 - toimetage **lahtimonteerimata** seade koos ostukviitungiga tarnijale või lähimasse SKILi lepingulisse töökotta (aadressid ja tööriista varuosade joonise leiate aadressil www.skil.com)

KESKKOND

- **Ärge visake kasutuskoõlmatuks muutunud elektrilisi tööriista, lisatarvikuid ja pakendeid ära koos olmejäätmetega** (üksnes EL liikmesriikidele)
 - vastavalt Euroopa Parlamendi ja nõukogu direktiivile 2012/19/EÜ elektri- ja elektroonikaseadmete jäätmete kohta ning direktiivi nõuete kohaldamisele liikmesriikides tuleb kasutuskoõlmatuks muutunud elektrilised tööriistad koguda eraldi ja keskkonnasäästlikult korduvkasutada või ringlusse võtta
 - seda meenutab Teile sümbol ⑪

VASTAVUSDEKLARATSIOON CE

Mitmeotstarbeline tööriist 1470

Tehnilised andmed ①

- Kinnitame ainuvastutajana, et punktis "Tehnilised andmed" kirjeldatud toode vastab järgmistele standarditele või normdokumentidele: EN 60745, EN 61000, EN 55014 vastavalt direktiivide 2014/30/EL, 2006/42/EÜ, 2011/65/EL

- **Tehniline toimik saadaval aadressil:** SKIL Europe BV (PT-SEU/ENG1), 4825 BD Breda, NL

Marijn van der Hoofden Olaf Dijkgraaf
Operations & Engineering Approval Manager




SKIL Europe BV, 4825 BD Breda, NL

29.07.2014

MÜRA/VIBRATSIION

- Vastavalt kooskõlas normiga EN 60745 läbi viiud mõõtmisteel on tööriista helirõhk 92 dB(A) ja helitugevus 103 dB(A) (standardkõrvalekalle: 3 dB), ja vibratsioon * m/s^2 (kolme telje vektorsumma; mõõtemääramatus K = $1,5 m/s^2$)
 - * löikamisel $8,8 m/s^2$
 - * saagimisel süvendite löiketeraga $13,9 m/s^2$
 - * saagimisel segmentteraga $7,2 m/s^2$
 - Tekkiva vibratsiooni tase on mõõdetud vastavalt standardis EN 60745 kirjeldatud standarditule testile; seda võib kasutada tööriistade võrdlemiseks ja tööriista kasutamisel ettenähtud töödeks esineva vibratsiooni esialgseks hindamiseks
 - tööriista kasutamisel muudeks rakendusteks või teiste/ halvasti hooldatud tarvikute kasutamisel võib vibratsioon märkimisväärselt **suureneda**
 - ajal, kui tööriist on väljalülitatud või on küll sisselülitatud, kuid tegelikult seda ei kasutata, võib vibratsioon märkimisväärselt **väheneda**
- ! enda kaitsmiseks vibratsiooni eest hoolitage tööriista ja selle tarvikuid korralikult, hoidke oma käed soojad ja tagage sujuv töökorraldus**

LV

Daudzfunktionaals instruments 1470

IEVADS

- Šis instruments ir paredzēts koka, plastmasas, gipsa, metāla un mīkstu sienas flīžu zāģēšanai un griešanai, kā arī nelielu virsmu sausai slīpēšanai
- Pateicoties tā svārstveida kustībai, šis instruments svārstās līdz pat 22000 reizēm/minūtē 3° leņķī, padarot to īpaši noderīgu, veicot augstas precizitātes darbus grūti pieejamās un šaurās vietās
- Šis instruments nav paredzēts profesionālai lietošanai
- Šis instruments var tikt izmantots ar pieejamajiem daudzfunkcionālo instrumentu piederumiem, ieskaitot esošos BOSCH OIS piederumus ③
- Izlasiet un saglabājiet šo pamācību ④

TEHNISKIE PARAMETRI ①

INSTRUMENTA ELEMENTI ②

- A Nostiprināšana skrūve ar starpliku
- B Sešstūra stienatslēga
- C Slīpēšanas pamatne

- D Putekļu nosūcējs
- E Ieslēdzējs
- F Ātruma regulators
- G Ventilācijas atveres
- H Segmentu zāģa asmens
- J Iegremdēšanas tipa zāģa asmens (kokam, 20 mm)
- K Slīpēšanas loksne (rupja)
- L Slīpēšanas loksne (smalka)
- M Dziļuma regulēšanas piederums *

* NAV STANDARTA KOMPLEKTĀCIJĀ

DROŠĪBA

VISPĀRĒJIE DARBA DROŠĪBAS NOTEIKUMI

⚠ UZMANĪBU! Rūpīgi izlasiet visus drošības noteikumus. Šeit sniegto drošības noteikumu un norādījumu neievērošana var izraisīt aizdegšanos un būt par cēloni elektriskajam triecienam vai nopietnam savainojumam. **Pēc izlasīšanas uzglabājiet šos noteikumus turpmākai izmantošanai.** Turpmākajā izklāstā lietotais apzīmējums “elektroinstruments” attiecas gan uz tīkla elektroinstrumentiem (ar elektrokabeļi), gan arī uz akumulatora elektroinstrumentiem (bez elektrokabeļa).

1) DROŠĪBA DARBA VIETĀ

- Sekojiēt, lai darba vieta būtu tīra un sakārtota.** Nekārtīgā darba vietā vai sliktā apgaismojumā var viegli notikt nelaimes gadījums.
- Nelietojiet elektroinstrumentu eksplozīvu vai ugunsdrošu vielu tuvumā un vietās ar paaugstinātu gāzes vai putekļu saturu gaisā.** Darba laikā instruments nedaudz dzirksteļo, un tas var izsaukt viegli degošu putekļu vai tvaiku aizdegšanos.
- Lietojot elektroinstrumentu, neļaujiet nepiederošām personām un jo īpaši bērniem tuvoties darba vietai.** Citu personu klātbūtne var novērst uzmanību, un tā rezultātā jūs varat zaudēt kontroli pār instrumentu.

2) ELEKTRODROŠĪBA

- Elektroinstrumenta kontaktakšai jābūt piemērotai elektroīkla kontaktligzdai. Kontaktakšas konstrukciju nedrīkst nekādā veidā mainīt. Nelietojiet kontaktakšas salāgotājus, ja elektroinstruments caur kabeli tiek savienots ar aizsargzemējuma ķēdi.** Neizmānītas konstrukcijas kontaktakša, kas piemērota kontaktligzdai, ļauj samazināt elektriskā trieciena saņemšanas risku.
- Darba laikā nepieskarieties saņemtiem priekšmetiem, piemēram, saurulēm, radiatoriem, plītiem vai ledusskapjiem.** Pieskaroties saņemtiem virsmām, pieaug risks saņemt elektrisko triecienu.
- Nelietojiet elektroinstrumentu lietus laikā, neturiet to mitrumā.** Mitrumam iekļūstot instrumentā, pieaug risks saņemt elektrisko triecienu.
- Nenesiet un nepiekariet elektroinstrumentu aiz elektrokabeļa. Neraujiet aiz kabeļa, ja vēlaties atvienot instrumentu no elektroīkla kontaktligzdas. Sargājiet elektrokabeli no karstuma, eļļas, asām šķautnēm un instrumenta kustīgajām daļām.** Bojāts vai samezģojies elektrokabelis var būt par cēloni elektriskajam triecienam.

- e) **Darbinot elektroinstrumentu ārpus telpām, izmantojiet tā pievienošanai vienīgi tādus pagarinātājkabeļus, kuru lietošana ārpus telpām ir atļauta.** Lietojot elektrokabeļi, kas piemērots darbam ārpus telpām, samazinās risks saņemt elektrisko triecienu.
- f) **Ja elektroinstrumentu tomēr nepieciešams lietot vietās ar paaugstinātu mitrumu, izmantojiet tā pievienošanai noplūdes strāvas aizsargreleju.** Lietojot noplūdes strāvas aizsargreleju, samazinās risks saņemt elektrisko triecienu.
- 3) PERSONISKĀ DROŠĪBA**
- a) **Darba laikā saglabājiet paškontroli un rīkojieties saskaņā ar veselo saprātu. Pārtrauciet darbu, ja jūtaties noguris vai atrodaties alkohola, narkotiku vai medikamentu izraisītā reibumā.** Strādājot ar elektroinstrumentu, pat viens neuzmanības mirklis var būt par cēloni nopietnam savainojumam.
- b) **Izmantojiet individuālos darba aizsardzības līdzekļus un darba laikā vienmēr nēsājiet aizsargbrilles.** Individuālo darba aizsardzības līdzekļu (putekļu maskas, neslidošu apavu un aizsargķiveres vai ausu aizsargu) pielietošana atbilstoši elektroinstrumenta tipam un veicamā darba raksturam ļauj izvairīties no savainojumiem.
- c) **Nepieļaujiet elektroinstrumenta patvaļīgu ieslēgšanos. Pirms elektroinstrumenta pievienošanas elektrotīklam, akumulatora ievietošanas vai izņemšanas, kā arī pirms elektroinstrumenta pārņemšanas pārliecinieties, ka tas ir izslēgts.** Pārnēsot elektroinstrumentu, ja pirksts atrodas uz ieslēdzēja, kā arī pievienojot to elektrobarošanas avotam laikā, kad elektroinstrumenta ir ieslēgts, var viegli notikt nelaimes gadījums.
- d) **Pirms instrumenta ieslēgšanas neaizmirstiet izņemt no tā regulējamos instrumentus vai skrūvjatslēgas.** Patronatslēga vai skrūvjatslēga, kas instrumenta ieslēgšanas brīdī nav izņemta no tā, var radīt savainojumu.
- e) **Strādājot ar elektroinstrumentu, ieturiet stingru stāju. Darba laikā vienmēr saglabājiet līdzsvaru un centieties nepaslidēt.** Tas atvieglos instrumenta vadību neparedzētās situācijās.
- f) **Izvēlieties darbam piemērotu apģērbu. Darba laikā nenēsājiet brīvi plandošas drēbes un rotaslietas. Netuviniet matus, apģērbu un aizsargcimdus instrumenta kustīgajām daļām.** Vaļīgas drēbes, rotaslietas un gari mati var iekerties instrumenta kustīgajās daļās.
- g) **Ja elektroinstrumenta konstrukcija ļauj tam pievienot ārējo putekļu uzsūkšanas vai savākšanas/uzkrāšanas ierīci, sekojiet, lai tā tiktu pievienota elektroinstrumentam un pareizi darbotos.** Pielietojot putekļu uzsūkšanu vai savākšanu/uzkrāšanu, samazinās to kaitīgā ietekme uz strādājošās personas veselību.
- 4) ELEKTROINSTRUMENTU LIETOŠANA UN AKOPE**
- a) **Nepārslogojiet elektroinstrumentu. Katram darbam izvēlieties piemērotu instrumentu.** Elektroinstrumenta darbosies labāk un drošāk pie nominālās slodzes.
- b) **Nelietojiet elektroinstrumentu, ja ir bojāts tā ieslēdzējs.** Elektroinstrumenta, ko nevar ieslēgt un

izslēgt, ir bīstams lietošanai un to nepieciešams remontēt.

- c) **Pirms elektroinstrumenta apkopes, regulēšanas vai darbinstrumenta nomaīņas atvienojiet tā kontakt dakšu no barojošā elektrotīkla vai izņemiet no tā akumulatoru.** Šādi iespējams samazināt elektroinstrumenta nejaušas ieslēgšanās risku.
- d) **Elektroinstrumentu, kas netiek darbināts, uzglabājiet piemērotā vietā, kur tas nav sasniedzams bērniem un personām, kuras neprot rīkoties ar instrumentu.** Ja elektroinstrumentu lieto nekompetentas personas, tas var apdraudēt cilvēku veselību.
- e) **Rūpīgi veiciet elektroinstrumenta apkalpošanu. Pārbaudiet, vai kustīgās daļas darbojas bez traucējumiem un nav iespīlētas, vai kāda no daļām nav salauzta vai bojāta, vai katra no tām pareizi funkcionē un pilda tai paredzēto uzdevumu. Nodrošiniet, lai bojātās daļas tiktu savlaicīgi nomainītas vai remontētas pilnvarotā remonta darbnīcā.** Daudzi nelaimes gadījumi notiek tāpēc, ka elektroinstrumenta pirms lietošanas nav pienācīgi apkalpots.
- f) **Savlaicīgi notīriet un uzasiniet griezošos darbinstrumentus.** Rūpīgi kopti instrumenti, kas apgādāti ar asiem griezējinstrumentiem, ļauj strādāt daudz ražīgāk un ir vieglāk vadāmi.
- g) **Lietojiet vienīgi tādus elektroinstrumentus, papildpiederumus, darbinstrumentus utt., kas paredzēti attiecīgajam pielietojuma veidam. Bez tam jāņem vērā arī konkrētie darba apstākļi un pielietojuma īpatnības.** Elektroinstrumentu lietošana citiem mērķiem, nekā to ir paredzējusi ražotājfirma, ir bīstama un var novest pie neparedzamām sekām.
- 5) APKALOŠANA**
- a) **Nodrošiniet, lai Instrumenta remontu veiktu kvalificēts personāls, nomaīnai izmantojot oriģinālās rezerves daļas un piederumus.** Tikai tā iespējams panākt instrumenta ilgstošu un nevainojamu darbību bez atteikumiem.

DROŠĪBAS INSTRUKCIJAS DAUDZFUNKCIONĀLAJIEM INSTRUMENTIEM

VISPĀRĒJA INFORMĀCIJA

- Šo instrumentu nedrīkst izmantot personas, kas jaunākas par 16 gadiem
- Lietojiet pilnīgi atļautus pagarinātājkabeļus, kas paredzēti 16 A strāvai
- Vienmēr pārliecinieties, ka spriegums, kas uzrādīts uz instrumenta marķējuma plāksnītes, atbilst padeves spriegumam elektrotīklā (230V vai 240V spriegumam paredzētie instrumenti var darboties arī no 220V elektrotīkla)
- Izvairieties no instrumenta bojājumiem, ko var radīt apstrādājamajā priekšmetā esošās skrūves, naglas vai citi līdzīgi objekti; pirms darba uzsākšanas atbrīvojiet apstrādājamo materiālu no šādiem priekšmetiem
- **Nostipriniet apstrādājamo detaļu** (to ir drošāk nostiprināt ar spailēm vai skrūvspīlēm, nevis turēt rokā)
- **Neapstrādājiet materiālus, kas satur azbestu** (azbestam piemīt kancerogēnas īpašības)

- **Pirms instrumenta regulēšanas vai piederumu nomaņas atvienojiet to no barojošā elektrotīkla**
- Vienmēr stingri turiet instrumentu ar abām rokām un nodrošiniet stabili pamatu zem kājām
- Darba laikā sekojiet, lai elektrokabelis atrastos drošā attālumā no instrumenta kustīgajām daļām un stieptos prom no darba vietas virzienā uz aizmuguri
- **Veicot piederumu nomaņu, izmantojiet aizsargcimdus** (saskarsmē ar piederumiem var rasties traumas)
- Elektriska vai mehāniska rakstura kļūmes gadījumā nekavējoties izslēdziet instrumentu un atvienojiet kabeļa kontaktdakšu no elektrotīkla
- Ja darba laikā tiek pārgriezts vai citādi mehāniski bojāts instrumenta elektrokabelis, nepieskarieties tam, bet nekavējoties atvienojiet elektrokabeļa kontaktdakšu no barojošā elektrotīkla
- Neizmantojiet instrumentu, ja tam ir bojāts elektrokabelis; tā nomaņu drīkst veikt tikai pieredzējis speciālists
- Pirms instrumenta novietošanas izslēdziet tā elektrodzinēju un nogaidiet, līdz ir pilnīgi apstājušās visas instrumenta kustīgās daļas
ZĀĢĒŠANAS/GRIEŠANAS LAIKĀ
- **Veicot darbu, kura laikā darbinstruments var skart slēptus elektriskos vadus vai paša instrumenta elektrokabeļi, turiet instrumentu tikai aiz izolētajām virsmām** (darbinstrumentam skarot spriegumnesošus vadus, spriegums nonāk arī uz instrumenta metāla daļām un var būt par cēloni elektriskajam triecienam)
- **Netuviniet rokas griešanas vietai;** griežot materiālu, nekādā gadījumā nedrīkst zem tā sniegties
- **Ar piemērota metālmeklētāja palīdzību pārbaudiet, vai apstrādes vietu nešķērso slēptas elektropārvades līnijas, kā arī gāzes vai ūdens caurules; šaubu gadījumā griezieties vietējā komunalās saimniecības iestādē** (darbinstrumentam skarot elektrotīkla fāzes līniju, var izcelties ugunsgrēks un strādājošais var saņemt elektrisko triecienu; gāzes vada bojājums var izraisīt sprādzienu; darbinstrumentam skarot ūdensvada cauruli, var tikt bojātas materiālās vērtības un strādājošais var saņemt elektrisko triecienu)
- Neizmantojiet iekļausēju, deformētus vai neasus zāģa asmeņus
SLĪPĒŠANAS LAIKĀ
- Materiāla (piemēram, svīnu saturošas krāsas, dažu koka šķirņu, minerālu un metāla) putekļi var būt kaitīgi (saskare ar putekļiem vai to ieelpošana var izraisīt alerģiskas reakcijas un/vai ieelpošanas ceļu saslimšanas operatoram vai klātesošajiem); **izmantojiet putekļu masku un putekļsūcēju, ja to iespējams pievienot**
- Dažu veidu putekļi ir klasificēti kā kancerogēni (piemēram, ozola vai dižskābarža putekļi), jo īpaši apvienojumā ar koksnes kondicionēšanas piedevām; **izmantojiet putekļu masku un putekļsūcēju, ja to iespējams pievienot**
- Ievērojiet ar putekļu savākšanu saistītos nacionālos noteikumus, kas attiecas uz apstrādājamajiem materiāliem
- **Lietojiet šo instrumentu tikai sausajai slīpēšanai** (ūdenim iekļūstot instrumenta iekšienē, palielinās elektrošoka briesmu risks)
- Nepieskarieties kustīgajai slīpēšanas loksnei

- Nelietojiet nolietotas, deformētas vai stipri piesārņotas slīpēšanas loksnes
- Slīpējot metālu, veidojas dzirksteles; šādā gadījumā neizmantojiet putekļsūcēju un sekojiet, lai darba vietas tuvumā neatrastas citas personas vai ugunsdroši materiāli

DARBS

- Darbinstrumentu nomaņa ⑤
 - ! **atvienojiet instrumentu no elektrotīkla**
 - noņemiet/uzstādiet nepieciešamo piederumu, kā tas parādīts zīmējumā
 - pārļiecinieties, ka uz piederuma esošās atveres atrodas pretī uz instrumenta galvas esošajiem izciļņiem (iespējama jebkura fiksācijas pozīcija)
 - uzstādiet piederumu ar tā saspiesto centru virzienā uz leju
 - atskrūvējiet/pievelciet skrūvi A ar sešstūra stienātslēgu B
 - **pārļiecinieties, ka piederums ir cieši nostiprināts** (nepareizi vai neprecīzi nostiprināts piederumus lietošanas laikā var kļūt vaļīgs un nodarīt kaitējumu)
- Slīpēšanas loksnes nostiprināšana ⑥
 - pirms slīpēšanas loksnes notīrīšanas attīriet C ② slīpēšanas pamatnes ar VELCRO materiālu pārklāto virsmu
 - nostipriniet VELCRO tipa (pašnoturošas) slīpēšanas loksnes, kā parādīts attēlā
 - ! **ja vēlaties pielietot putekļu uzsūkšanu, lietojiet perforētas slīpēšanas loksnes**
 - ! **atvērumiem slīpēšanas loksne jāsakrīt ar atvērumiem slīpēšanas pamatnē**
 - ! **savlaicīgi nomainiet nolietotās slīpēšanas loksnes**
 - ! **strādājiet ar instrumentu vienīgi tad, ja visa VELCRO pamatne ir nosepta ar slīpēšanas loksni**
- Putekļu/skaidu uzsūkšanas ierīce ⑦
 - uzstādiet putekļu nosūcēju D, kā tas parādīts zīmējumā
 - pievienojiet putekļsūcēju
 - ! **nelietojiet putekļu nosūcēju/putekļsūcēju, slīpējot metālu**
 - lai darba laikā nodrošinātu optimālu putekļu savākšanu D, regulāri tīriet putekļu nosūcēju
- Ieslēgšana/izslēgšana
 - lai ieslēgtu/izslēgtu instrumentu, nospiediet ieslēdzēju E ② stāvoklī "I"/"O"
 - ! **kontaktējiet darbinstrumentu ar apstrādājamo materiālu tikai pēc tam, kad instrumenta ātrums ir sasniedzis nominālo vērtību**
 - ! **pirms instrumenta izslēgšanas paceliet to no apstrādājamā priekšmeta virsmas**
- Darba ātruma regulēšana ⑧
 - ar ritenīti F nepieciešamo svārstveida kustības frekvenci var mainīt no zemas (1) līdz augstai (6) (arī instrumenta darbības laikā)
 - optimālais darba ātrums ir atkarīgs no materiāla, un to var noteikt, izmēģinot praksi
- Instrumenta turēšana un vadīšana
 - ! **darba laikā vienmēr turiet instrumentu aiz pelēkās krāsas noturvirsmas(ām) ⑨**
 - nenosprostojiet instrumenta ventilācijas atveres G ②

- nepielietojiet pārāk lielu spiedienu pret instrumentu (pārmērīgs spiediens izraisīs pārlieku uzkaršanu un var samazināt piederuma kalpošanas mūžu)
- Dziļuma regulēšanas piederums (DEPTH STOP) (neietilpst standarta piegādes komplektā) ⑩

PRAKTISKI PADOMI

- Lietojiet segmentu zāga asmeni H ②, lai veiktu koka, gīpša un plastmasas atdalīšanu un zāgēšanu ar asmens iegremdēšanu (kā arī zāgējot tuvu citām virsmām, stūros un citās grūti pieejamās vietās)
- Lietojiet iegremdēšanas tipa zāga asmeni J ②, lai veiktu koka, gīpša un mīkstas plastmasas atdalīšanu, un zāgēšanu ar dziļu asmens iegremdēšanu (kā arī zāgējot tuvu citām virsmām, stūros un citās grūti pieejamās vietās)
- Papildu ieteikumi ir sniegti datortīkla vietnē www.skil.com

APKALPOŠANA / APKOPE

- Šis darbarīks nav paredzēts profesionālai lietošanai
- Uzturiet tīru instrumentu un elektrokabeli (īpaši ventilācijas atveres G ②)
! **pirms instrumenta tīrīšanas atvienojiet to no elektrotīkla**
- Ja, neraugoties uz augsto izgatavošanas kvalitāti un rūpīgo pērcražošanas pārbaudi, instruments tomēr sabojājas, tas jānogādā remontam firmas SKIL pilnvarotā elektroinstrumentu remonta darbnīcā
 - nogādājiet instrumentu **neizjauktā veidā** kopā ar iegādes dokumentiem tuvākajā tirdzniecības vietā vai firmas SKIL pilnvarotā piegādes apkalpošanas un remonta iestādē (adreses un instrumenta apkalpošanas shēma ir sniegta interneta vietnē www.skil.com)

APKĀRTĒJĀS VIDES AIZSARDZĪBA

- **Neizmetiet elektroiekārtas, piederumus un iesaiņojuma materiālus sadzīves atkritumos** (tikai ES valstīm)
- saskaņā ar Eiropas Savienības direktīvu 2012/19/ES par nolietotajām elektriskajām un elektroniskajām iekārtām un tās atspoguļojumiem nacionālajā likumdošanā, nolietotās elektroiekārtas ir jāsavāc, jāizjauc un jānogādā atsevišķai pārstrādei apkārtējai videi nekaitīgā veidā
- īpašs simbols ⑪ atgādina par nepieciešamību izstrādājumus utilizēt videi nekaitīgā veidā

ATBILSTĪBAS DEKLARĀCIJA CE

Daudzfunkcionāls instruments 1470

Tehniskie parametri ①

- Mēs ar pilnu atbildību paziņojam, ka sadaļā "Tehniskie parametri" aprakstītais izstrādājums atbilst šādiem standartiem vai normatīvajiem dokumentiem: EN 60745, EN 61000, EN 55014, kā arī direktīvām 2014/30/ES, 2006/42/EK, 2011/65/ES

- **Tehniskā dokumentācija no:** SKIL Europe BV (PT-SEU/ENG1), 4825 BD Breda, NL

Marijn van der Hoofden
Operations & Engineering

Olaf Dijkgraaf
Approval Manager

SKIL Europe BV, 4825 BD Breda, NL

29.07.2014

TROKSNIS/VIBRĀCIJA

- Saskaņā ar standartu EN 60745 noteiktais instrumenta radītā trokšņa skaņas spiediena līmenis ir 92 dB(A) un skaņas jaudas līmenis ir 103 dB(A) (pie tipiskās izkliedes 3 dB), un vibrācijas paātrinājums ir * m/s² (vektoru summa trijos virzienos; izkliede K = 1,5 m/s²)
* griešajot 8,8 m/s²
* zāgējot ar iegremdēšanas tipa zāga asmeni 13,9 m/s²
* zāgējot ar segmentu zāga asmeni 7,2 m/s²
- Vibrācijas līmenis ir noteikts, izmantojot standartā EN 60745 paredzēto procedūru; to var izmantot, lai salīdzinātu instrumentus un provizoriski izvērtētu vibrācijas iedarbību, lietojot instrumentu minētajiem mērķiem
 - instrumenta izmantošana citiem mērķiem vai ar citiem vai nepietiekami koptiem piederumiem var ievērojami **palielināt** kopējo vibrācijas iedarbības pakāpi
 - laika periodi, kad instruments ir izslēgts vai arī ir ieslēgts, taču darbs ar to nenotiek, var ievērojami **samazināt** kopējo vibrācijas iedarbības pakāpi
- ! **pasargājiet sevi no vibrācijas iedarbības, veicot instrumenta un tā piederumu tehnisko apkopi, novēršot roku atdzišanu un pareizi organizējot darbu**

LT

Universālais īrānis

1470

ĪVADAS

- Šis īrānis skirtas medienos, plastiko, gīpso, metalo ir mīkšstu sienų plytelių pjaustymui ir grēžimui ir nedidelių plotų sausajam šlifavimui
- Dēl vibracinēs pavaros priedas gali 22000 kartų per minūtē judēti 3° kampū, todēl īrānis ypač tinka precizīškam briaunų, siaurų ir sunkiai pasiekiamų vietų apdorojimui
- Šis prietaiss neskirtas profesionāliam naudojimui
- Šis īrānis gali būtī naudojamas su dauguma īrāstinų priedų, įskaitant bendrovės BOSCH OIS teikiamus priedus ③
- Perskaitykite ir išsaugokite šią naudojimo instrukcijā ④

TECHNINIAI DUOMENYS ①

PRIETAISO ELEMENTAI ②

- A Fiksatoriaus varžtas su poveržle
- B Šešiabriaunis raktas

- C Šlifavimo padas
- D Dulkių ištraukiklis
- E Įjungimo/išjungimo jungiklis
- F Sūkių regulatoriaus ratukas
- G Ventilacinės angos
- H Segmentinis pjūklelis
- J Smeigiamasis pjūklelis (medis, 20 mm)
- K Šlifavimo popierius (rupus)
- L Šlifavimo popierius (smulkus)
- M Gylio reguliavimo priedas *

* NĖRA STANDARTINIAME KOMPLEKTE

SAUGA

BENDROSIOS DARBO SAUGOS INSTRUKCIJOS

⚠ DĖMESIO! Perskaitykite visas šias saugos nuorodas ir reikalavimus. Jei nepaisysite žemiau pateiktų saugos nuorodų ir reikalavimų, gali trenkti elektros smūgis, kilti gaisras ir/arba galite sunkiai susižaloti arba sužaloti kitus asmenis. **Išsaugokite šias saugos nuorodas ir reikalavimus, kad ir ateityje galėtumėte jais pasinaudoti.** Toliau pateiktame tekste vartojama sąvoka “elektrinis įrankis” apibūdina įrankius, maitinamus iš elektros tinklo (su maitinimo laidu), ir akumuliatorinius įrankius (be maitinimo laido).

1) DARBO VIETOS SAUGUMAS

- a) **Darbo vieta turi būti švari ir tvarkinga.** Tinkama ar blogai apšviesta darbo vieta gali tapti nelaimingų atsitikimų priežastimi.
- b) **Nedirbkite tokioje aplinkoje, kur yra degių skysčių, dujų ar dulkių.** Elektriniai įrankiai gali kibirkščiuoti, o nuo kibirkščių dulkės arba susikaupę garai gali užsidegti.
- c) **Dirbdami su elektriniu įrankiu neleiskite šalia būti žiūrovams, vaikams ir lankytojams.** Nukreipę dėmesį į kitus asmenis galite nebesuvaldyti prietaiso.

2) ELEKTROSAUGA

- a) **Maitinimo laido kištukas turi atitikti tinklo rozetės tipą.** Kištuko jokių būdu negalima modifikuoti. **Nenaudokite jokių kištuko adapterių su žemintais prietaisais.** Originalūs kištukai, tiksliai tinkantys elektros tinklo rozetei, sumažina elektros smūgio pavojų.
- b) **Venkite kūno kontakto su žemintais paviršiais, tokiais kaip vamzdžiai, šildytuvai, viryklės ar šaldytuvai.** Egzistuoja padidinta elektros smūgio rizika, jei Jūsų kūnas bus žemintas.
- c) **Saugokite prietaisą nuo lietaus ir drėgmės.** Jei vanduo patenka į elektrinį prietaisą, padidėja elektros smūgio rizika.
- d) **Nenaudokite maitinimo laido ne pagal paskirtį, t. y. neneškite prietaiso paėmę už laido, nekabinkite prietaiso už laido, netraukite už jo, norėdami išjungti kištuką iš rozetės. Laidą klokite taip, kad jo neveiktų karštis, jis neišsitempų alyva ir jo nepažeistų aštrios detalės ar judančios prietaiso dalys.** Pažeisti ar jba susipynę laidai gali tapti elektros smūgio priežastimi.
- e) **Jei su elektriniu įrankiu dirbate lauke, naudokite tik tokius ilginimo kabelius, kurie tinka lauko darbams.** Naudojant lauko darbams pritaikytus ilginimo kabelius, sumažinamas elektros smūgio pavojus.

- f) **Jei su elektriniu įrankiu neišvengiamai reikia dirbti drėgnoje aplinkoje, naudokite žeminimo grandinės pertraukiklį.** Naudojant žeminimo grandinės pertraukiklį, sumažėja elektros smūgio pavojus.

3) ŽMONIŲ SAUGA

- a) **Būkite atidūs, sutelkite dėmesį į tai, ką Jūs darote ir, dirbdami su elektriniu įrankiu, vadovaukitės sveiku protu. Nedirbkite su prietaisu, jei esate pavargę arba vartojote narkotikus, alkoholį ar medikamentus.** Akimirksnio neatidumas naudojant prietaisą gali tapti rimtų sužalojimų priežastimi.
 - b) **Naudokite asmenines apsaugos priemones ir visuomet užsidėkite apsauginius akinius.** Naudojant asmenines apsaugos priemones, pvz., respiratorių ar apsauginę kaukę, neslystančius batus, apsauginį šalną, klausos apsaugos priemones ir kt., rekomenduojamas dirbant su tam tikros rūšies įrankiais, sumažėja rizika susižeisti.
 - c) **Saugokitės, kad neįjungtumėte prietaiso atsitiktinai. Prieš prijungdami elektrinį įrankį prie elektros tinklo ir/arba akumuliatoriaus, prieš pakeldami ar nešdami įsitikinkite, kad jis yra išjungtas.** Jeigu nešdami elektrinį įrankį pirštą laikysite ant jungiklio arba prietaisą įjungsitė į elektros tinklą, kai jungiklis yra įjungtas, gali įvykti nelaimingas atsitikimas.
 - d) **Prieš įjungdami prietaisą pašalinkite reguliavimo įrankius arba veržlių raktus.** Prietaiso besisukančioje dalyje esantis įrankis ar raktas gali tapti sužalojimų priežastimi.
 - e) **Nepervertinkite savo galimybių. Dirbdami atsistokite patikimai ir visada išlaikykite pusiausvyrą.** Patikima stovėseną ir tinkama kūno laikysena leis geriau kontroliuoti prietaisą netikėtose situacijose.
 - f) **Dėvėkite tinkamą aprangą. Nedėvėkite plačių drabužių ir papuošalų. Saugokite plaukus, drabužius ir pirštines nuo besisukančių prietaiso dalių.** Laisvus drabužius, papuošalus bei ilgus plaukus gali įtraukti besisukančios dalys.
 - g) **Jei yra numatyta galimybė prijungti dulkių nusiurbimo ar surinkimo įrenginius, visada įsitikinkite, ar jie yra prijungti ir ar teisingai naudojami.** Naudojant dulkių nusiurbimo įrenginius sumažėja kenksmingas dulkių poveikis.
- #### 4) RŪPESTINGA ELEKTRINIŲ ĮRANKIŲ PRIEŽIŪRA IR NAUDOJIMAS
- a) **Nepervirkite prietaiso. Naudokite Jūsų darbui tinkamą elektrinį įrankį.** Su tinkamu elektriniu įrankiu Jūs dirbsite geriau ir saugiau, jei neviršysite nurodyto galimumo.
 - b) **Nenaudokite elektrinio įrankio su sugedusiu jungikliu.** Elektrinis įrankis, kurio nebegalima įjungti ar išjungti, yra pavojingas ir jį reikia remontuoti.
 - c) **Prieš reguliuodami prietaisą, keisdami darbo įrankius ar prieš valydami prietaisą, iš elektros tinklo lizdo ištraukite kištuką ir/arba išimkite akumuliatorių.** Ši saugomo priemonė apsaugos jus nuo netikėto prietaiso išjungimo.
 - d) **Nenaudojamą prietaisą sandėliuokite vaikams ir nemokantiems juo naudotis asmenims neprieinamoje vietoje.** Elektriniai įrankiai yra pavojingi, kai juos naudoja nepatyrę asmenys.

- e) **Rūpestingai prižiūrėkite prietaisą. Tikrinkite, ar besisukančios prietaiso dalys tinkamai veikia ir niekur nekliūva, ar nėra sulūžusių ar šiaip pažeistų dalių, kurios įtakotų prietaiso veikimą.** Prieš vėl naudojant prietaisą pažeistos prietaiso dalys turi būti suremontuotos. Daugelio nelaimingų atsitikimų priežastis yra blogai prižiūrimi elektriniai įrankiai.
- f) **Pjovimo įrankiai turi būti aštrūs ir švarūs.** Rūpestingai prižiūrėti pjovimo įrankiai su aštriomis pjaunamosiomis briaunomis mažiau stringa ir juos yra lengviau valdyti.
- g) **Elektrinį įrankį, papildomą įrangą, darbo įrankius ir t. t. naudokite taip, kaip nurodyta šioje instrukcijoje. Taip pat atsizvelkite į darbo sąlygas bei atliekamo darbo pobūdį.** Naudojant elektrinius įrankius ne pagal jų paskirtį galima sukelti pavojingas situacijas.
- 5) APTARNAVIMAS**
- a) **Prietaisą turi remontuoti tik kvalifikuotas specialistas ir naudoti tik originalias atsargines dalis.** Taip galima garantuoti, jog prietaisas išliks saugus.

SAUGOS NUORODOS DIRBANTIEMS UNIVERSALIAISIAIS ĮRANKIAIS

BENDROJI DALIS

- Šį prietaisą turėtų naudoti tik asmenys, kuriems 16 ir daugiau metų
- Naudodami ilginamuosius kabelius atkreipkite dėmesį į tai, kad kabelis būtų iki galo išvyniotas ir būtų pritaikytas 16 A elektros srovėi
- Visada patikrinkite, ar elektros tinklo įtampa sutampa su įtampos dydžiu, nurodytu prietaiso vardinėje lentelėje (prietaisus su nurodyta įtampa 230V ir 240V galima jungti į 220V įtampos elektros tinklą)
- Saugokite, kad nepažeistumėte prietaiso į ruošinyje esančius varžtus, vinis ir pan; prieš pradėdami darbą juos pašalinkite
- **Saugiai laikykite tvirtinamą dirbinį** (dirbinį, kuris segamas ar kalamas kablių kalimo įrankiais, saugiau laikyti spaustuvu nei ranka)
- **Draudžiama apdirbti medžiagas, kurių sudėtyje yra asbesto** (asbestas pasižymi vėžį sukeliančiu poveikiu)
- **Prieš reguliuojant prietaisą arba keičiant darbo įrankius, ištraukite kištuką iš el. tinklo lizdo**
- Darbo metu visada tvirtai laikykite prietaisą abiem rankom bei patikimai stovėkite
- Pasirūpinkite, kad maitinimo kabelis nebūtų arti besisukančių prietaiso dalių; klokite jį kuo toliau už prietaiso
- **Keisdami priedus mūvėkite apsaugines pirštines** (palietę priedą galite susižeisti)
- Atsiradus mechaninio ar elektrinio pobūdžio trukdžiams, tuojau pat išjunkite prietaisą ir ištraukite kištuką iš elektros tinklo lizdo
- Jei dirbant bus pažeistas ar nutrauktas kabelis, būtina neliečiant kabelio tuojau pat ištraukti kištuką iš elektros tinklo lizdo
- Prietaisą su pažeistu kabeliu naudoti draudžiama; jį turi pakeisti kvalifikuotas elektrikas
- Prieš padėdami prietaisą jį išjunkite ir palaukite, kol visos besisukančios jo dalys visiškai sustos
- **PJOVIMO TAISYKLĖS**
- **Jei atliekate darbus, kurių metu darbo įrankis gali kliudyti paslėptus elektros laidus arba paties**

elektrinio įrankio maitinimo laidą, tai elektrinį įrankį laikykite už izoliuotų rankenų (palietus laidą, kuriuo teka elektros srovė, metalinėse elektrinio įrankio dalyse gali atsirasti įtampa ir trenkti elektros smūgis)

- **Nekiškite rankų prie pjovimo vietos;** kirpdami niekada, jokiais sumetimais nekiškite rankų po medžiaga
- **Naudodami tam skirtus paieškos prietaisus, patikrinkite, ar gręžimo vietoje nėra paslėptų komunalinių tinklų vamzdinių, arba pasikvieskite į pagalbą vietinius komunalinių paslaugų tiekėjus** (kontaktais su elektros laidais gali sukelti gaisro bei elektros smūgio pavojų; pažeidus dujotiekio vamzdį, gali įvykti sprogimas; pažeidus vandentiekio vamzdį, galima pridaryti daugybę nuostolių bei sukelti elektros smūgio pavojų)
- Nenaudokite įtrūkusių, sulenktų ar atšipusių pjūklelių **ŠLIFAVIMO TAISYKLĖS**
- Kai kurių medžiagų, kaip antai dažų, kurių sudėtyje yra švino, kai kurių medžių rūšių medienos, mineralų ir metalo dulksės gali būti kenksmingos (kontaktais su šiomis dulkmėmis arba įkvėptos dulksės gali sukelti operatoriui arba šalia esantiems žmonėms alergines reakcijas ir/arba kvėpavimo sistemos susirgimus); **mūvėkite priešdulkinę puskaukę arba dirbdami naudokite dulkių ištraukimo įrenginį, jei jį galima prijungti**
- Kai kurių rūšių dulksės priskiriamos kancerogeninėms (pvz., ažuolos arba buko medienos dulksės), ypač susimaišiusios su medienos taurinimui naudojamais priedais; **mūvėkite priešdulkinę puskaukę arba dirbdami naudokite dulkių ištraukimo įrenginį, jei jį galima prijungti**
- Vadovaukitės Jūsų šalyje taikomų direktyvų reikalavimais, skirtais medžiagoms, su kuriomis norite dirbti
- **Įrankį naudokite tik sausajam šlifavimui** (į įrankio vidų patekus vandens padidėja elektros smūgio pavojus)
- Nelieskite rankomis švytuojančio šlifavimo popieriaus lapelio
- Draudžiama naudoti nusidėvėjusius, įplyšusius ar labai užterštus šlifavimo popieriaus lapelius
- Šlifuojant metalą kyla kibirkštys; nenaudokite dulkių siurblio ir pasirūpinkite, kad Jums dirbant aplink nebūtų kitų asmenų, kuriuos galėtų sužeisti lekiančios kibirkštys, o taip pat - degių medžiagų

NAUDOJIMAS

- Papildomos įrangos keitimas (Ⓢ)
- **! ištraukite kištuką iš elektros lizdo**
 - reikiamą priedą nuimkite ir uždėkite, kaip vaizduojama iliustracijose
 - pasirūpinkite, kad priedo angos būtų sutapdintos su įrankio galvutės iškyšomis (priedą galima užfiksuoti įvairiai pasuktą)
 - priedą dėkite taip, kad įspauda jo viduryje būtų nukreipta žemyn
 - varžtą A atleiskite arba priveržkite šešiakampių veržliarakčiu B
 - **tikrinkite, ar priedas patikimai uždėtas** (netinkamai ar nepatikimai įtvirtinti priedai dirbant gali atsipalaiduoti ir būti pavojingi)

- Šlifavimo popieriaus tvirtinimas ⑥
 - prieš uždėdami šlifavimo popierių iškratykite šlifavimo pado kibaUS sujungimo audinį (VELCRO) C ②
 - uždėkite VELCRO (kibus sujungimas) šlifavimo popieriaus lapelį, kaip parodyta paveikslėlyje
 - ! **norint, kad dulksės būtų nusiurbiamos, reikia naudoti skylėtą šlifavimo popieriaus lapelį**
 - ! **šlifavimo popieriaus skylės turi sutapti su skylėmis šlifavimo plokštėje**
 - ! **laiku pakeiskite nusidėvėjusį šlifavimo popieriaus lapelį**
 - ! **įrankį leidžiama naudoti tik tuomet, kai šlifavimo popierius uždengia visą VELCRO medžiaga padengtą paviršių,**
- Dulkių ir skiedrų nuvalymas ⑦
 - dulkių ištraukiklį D sumontuokite taip, kaip parodyta paveikslėlyje,
 - prijunkite dulkių siurbį
 - ! **nenaukite dulkių ištraukiklio arba dulkių siurblio šlifudami metalą,**
 - reguliariai ištuštinant dulkių ištraukiklį D užtikrinamas optimalus dulkių nusiurbimas
- Įjungimas/išjungimas
 - prietaisas yra įjungiamas/išjungiamas perstatant jungiklį E ② į padėtį "I"/"O"
 - ! **prieš glausdami įrankį prie ruošinio palaukite, kol prietaisas visiškai įsibėgės**
 - ! **prieš išjungdami prietaisą atitraukite jį nuo ruošinio**
- Darbo greičio reguliavimas ⑧
 - ratuku F galima nustatyti reikiamą vibracijos dažnį nuo mažo (1) iki didelio (6) (reguliuoti galima ir įrankiu veikiant)
 - optimalus darbo greitis priklauso nuo medžiagos ir gali būti nustatytas praktiniais bandymais
- Prietaiso laikymas ir valdymas
 - ! **dirbdami laikykite prietaisą už pilkos spalvos suėmimo vietas(-ų) ⑨**
 - ventilacines angas G ② laikykite neuždengtas
 - pernelyg nespauskite įrankio (pernelyg spaudžiant dalys labai kaista, todėl gali sutrumpėti priedo eksploataavimo trukmė)
- Gylio reguliavimo priedas (DEPTH STOP) (nėra standartiniame komplekte) ⑩

NAUDOJIMO PATARIMAI

- Segmentinis pjūklelis H ② naudojamas medžiui, tinkui, gipsui ir plastikui atpjauti ar smeigiamuoju būdu pjauti (be to, pjauti arti briaunų, kampuose ir kitose sunkiai pasiekiamose vietose)
- Smeigiamasis pjūklelis J ② naudojamas medžiui, tinkui, gipsui ir plastikui atpjauti ar smeigiamuoju būdu giliai įpjauti (be to, pjauti arti briaunų, kampuose ir kitose sunkiai pasiekiamose vietose)
- Daugiau patarimų rasite internete www.skil.com

PRIEŽIŪRA / SERVISAS

- Šis prietaisas neskirtas profesionaliam naudojimui
- Periodiškai valykite prietaisą ir kabelį (ypač ventilacines angas G ②)
- ! **prieš valydami ištraukite kištuką iš elektros tinklo lizdo**

- Jeigu prietaisas, nepaisant gamykloje atliekamo kruopštaus gamybos ir kontrolės proceso, vis dėlto sugestų, jo remontas turi būti atliekamas įgaliotose SKIL elektrinių įrankių remonto dirbtuvėse
- **neišardyta** prietaisą kartu su pirkimo čekiu siuškite tiekėjui arba į artimiausią SKIL firmos įgaliotą elektros prietaisų techninio aptarnavimo tarnybą (adresus bei atsarginių dalių brėžinius rasite www.skil.com)

APLINKOSAUGA

- **Nemeskite elektrinių įrankių, papildomos įrangos ir pakuočius į buitinių atliekų konteinerius** (galioja tik ES valstybėms)
 - pagal ES Direktyvą 2012/19/EG dėl naudotų elektrinių ir elektroninių prietaisų atliekų utilizavimo ir pagal vietinius valstybės įstatymus atitarnavę elektriniai įrankiai turi būti surenkami atskirai ir gabenami į antrinių žaliavų tvarkymo vietas, kur jie turi būti sunaikinami ar perdirbami aplinkai nekenksmingu būdu
 - apie tai primins simbolis ⑪, kai reikės išmesti atitarnavusį prietaisą

ATITIKTIES DEKLARACIJA C E

Universalusis įrankis 1470

Techniniai duomenys ①

- Atsakingai pareiškiame, kad skyrįje "Techniniai duomenys" aprašytas gaminy's atitinka žemiau pateiktus standartus ir norminius dokumentus: EN 60745, EN 61000, EN 55014 pagal direktyvų 2014/30/ES, 2006/42/EB, 2011/65/ES reikalavimus
- **Techninė byla laikoma:** SKIL Europe BV (PT-SEU/ENG1), 4825 BD Breda, NL

Marijn van der Hoofden
Operations & Engineering

Olaf Dijkgraaf
Approval Manager

SKIL Europe BV, 4825 BD Breda, NL

29.07.2014

TRIUŠMINGUMAS/VIBRACIJA

- Šio prietaiso triukšmingumas buvo išmatuotas pagal EN 60745 reikalavimus; keliamo triukšmo garso slėgio lygis siekia 92 dB(A) ir akustinio galingumo lygis 103 dB(A) (standartinis nuokrypis: 3 dB), ir vibracijos * (trių krypčių) atstojamasis vektorius; paklaida $K = 1,5 \text{ m/s}^2$
 - * šlifuojant $8,8 \text{ m/s}^2$
 - * pjaunant smeigiamuoju pjūkleliu $13,9 \text{ m/s}^2$
 - * pjaunant segmentiniu pjūkleliu $7,2 \text{ m/s}^2$
- Vibracijos sklaidos lygis išmatuotas pagal standarte EN 60745 išdėstytus standartizuoto bandymo reikalavimus; ši vertė gali būti naudojama vienam įrankiui palyginti su kitu bei išankstiniam vibracijos poveikiui įvertinti, kai įrankis naudojamas paminėtais būdais
 - naudojant įrankį kitokiais būdais arba su kitokiais bei netinkamai prižiūrimais priedais, gali žymiai **padidėti** poveikio lygis

- laikotarpiais, kai įrankis išjungtas arba yra įjungtas, tačiau juo nedirbama, gali žymiai sumažėti poveikio lygis
- ! **apsisaugokite nuo vibracijos poveikio prižiūredami įrankį ir jo priedus, laikydami rankas šiltai ir derindami darbo ciklus su pertraukėlėmis**

МК

Повећенаменски алат

1470

УПАТСТВО

- Овој алат е наменет за пилење и сечење дрво, пластика, гипс, метали и меки сидни плочки, како и за суво брусење на мали површини
- Благодарение на осцилирачкиот погон, додатокот е закосува до 22000 пати во минута за 3° со што алатката е особено погодна за прецизна работа на рабови, во тесни и на други тешко достапни места
- Овој алат не е наменет за професионална употреба
- На овој алат може да се постават вообичаените додатоци за повећенаменските алати, вклучително и постојните додатоци на BOSCH OIS ③
- Внимателно прочитајте го и зачувајте го ова упатство за ракување ④

ТЕХНИЧКИ ПОДАТОЦИ ①

ЕЛЕМЕНТИ НА АЛАТОТ ②

- A Шраф за стегање со дихтунг
- B Хексагоналан клуч
- C Подлошка за брусење
- D Уред за отстранување прашина
- E Прекинувач за вклучување/исклучување
- F Тркало за избор на брзината
- G Отвори за вентилација
- H Сегмент со сечиво
- J Сечиво со забивање (дрво, 20 мм)
- K Хартија за брусење (груба)
- L Хартија за брусење (фина)
- M Додаток за прилагодување длабочина *

* НЕ Е СТАНДАРДНО ВКЛУЧЕНО

БЕЗБЕДНОСТ

ОПШТИ УПАТСТВА ЗА БЕЗБЕДНОСТ

⚠ ПРЕДУПРЕДУВАЊЕ! Сите упатства мора да се прочитаат. Непочитување на долу наведените упатства може да предизвика струен удар, пожар и/или тешки повреди. **Чувајте ги сите предупредувања и напатствија за во иднина.** Поимот "електричен алат", кој се користи во понатамошниот текст, се однесува на вашиот електричен алат (со приклучен кабел) и на електрични алати со погон на батерии (без приклучен кабел).

1) БЕЗБЕДНОСТ НА РАБОТНОТО МЕСТО

- Одржувајте го вашето работно место чисто и уредно.** Неуреден или темен работен простор може да предизвикаат незгоди.
- Немојте да работите со уредот во средина во која има опасност од експлозија, во која има запалливи течности, гасови и прашина.** Електричните алати произведуваат искри кои можат да запалат прашина или параа.
- За време на употребата на електричниот алат, децата и останатите лица држете ги подалеку од местото каде работите.** Одвркање, би можеле да изгубите контрола врз уредот.

2) ЕЛЕКТРИЧНА СИГУРНОСТ

- Утикач мора да одговара на приклучокот. Никако не смее да се прават измени на штекерот. Не користете адаптерски штекер заедно со уредот кој е заштитно заземјен.** Не променети штекери и соодветни приклучоци го намалуваат ризикот од електричен удар.
- Избегнувајте допир на телото со заземјени површини, како што се цевки, радијатори, рерни и фрижидери.** Постои зголемена опасност од струен удар, доколку Вашето тело е заземјено.
- Чувајте го уредот подалеку од дожд и влага.** Продирањето на вода во електричниот уред ја зголемува опасноста од струен удар.
- Не злоупотребувајте го приклучниот кабел за носење, бесење на уредот или за извлекување на штекерот од мрежниот приклучок. Чувајте го кабелот подалеку од топлина, масло, остри рабови или деловите на апаратот кои се движат.** Оштетени или заплеткани кабли ја зголемуваат опасноста од струен удар.
- Кога го употребувате полначен надвор, користете продолжен кабел кој е соодветен за употреба на отворен простор.** Примената на продолжен кабел соодветен за работа на отворен простор ја намалува опасноста од струен удар.
- Доколку не може да се избегне работа со електричниот алат во влажна средина, користете прекинувач за струјна заштита при технички проблеми.** Употребата на прекинувачот за струјна заштита при технички проблеми го намалува ризикот од електричен удар.

3) БЕЗБЕДНОСТ НА ЛУЃЕ

- Бидете внимателни, внимавајте што правите и постапувајте внимателно додена работите со електричниот алат. Не работете со уредот доколку сте уморни или под дејство на дрога, алкохол или лекови.** Еден момент на невнимание при употребата може да доведе до сеизни повреди.
- Носете ја личната заштитна опрема и секогаш носете заштитни очила.** Носењето на личната заштитна опрема, како што е маската за прашина, безбедносна облека која не се лизга, заштитен шлем или штитник за слух, зависно од видот и примената на електричниот алат, ја намалува опасноста од повреда.
- Избегнувајте невнимателно вклучување за време на работата. Осигурајте се прекинувачот да биде во "OFF" позиција пред да го ставите**

штекерот во приклучокот. Доколку го носите електричниот алат со прстот на прекинувачот или го приклучувате апаратот кој е приклучен со напојување на струја, може да предизвикате незгоди.

- d) **Пред вклучување на уредот, тргнете ги алатите за подесување или клучот за навртување.** Алатот или клучот кој се наоѓа во вртливиот дел на уредот, може да предизвика незгода.
- e) **Не ги преценувајте своите способности. Завземете сигурен и стабилен став и во секој момент одржувајте рамнотежа.** На тој начин можете подобро да го контролирате уредот во неочекувани ситуации.
- f) **Носете соодветна облека. Не носете широка облека или накит. Косата, облеката и ракавиците држете ги подалеку од деловите кои се движат.** Комотната облека, накитот или долгата коса може да бидат фатени во деловите кои се движат.
- g) **Доколку може да се монтираат направи за вшмукување и фаќање прашина, проверете дали се вклучени и дали можат исправно да се користат.** Примената на овие направи ја намалува опасноста од прашината.
- 4) **ВНИМАТЕЛНА УПОТРЕБА И РАКУВАЊЕ СО ЕЛЕКТРИЧНИТЕ АЛАТИ**
 - a) **Не го преоптеретувајте уредот. При вашата работа користете го предвидениот електричен алат за таа употреба.** Со соодветниот електричен алат ќе работите подобро и посигурно во наведената функционална област.
 - b) **Не користете електричен алат чиј прекинувач е неисправен.** Електричниот алат кој повеќе не може да се вклучува и исклучува е опасен и мора да се поправи.
 - c) **Извлекете го штекерот од приклучокот пред извршување на било какви подесувања на апаратот, замена на приборот или складирање.** Со овие мерки на внимателност ќе се избегне невнимателното вклучување на уредот.
 - d) **Тргнете го електричниот алат кој не го користите од допирот на децата. Не допуштајте работа со уредот на лица кои не се запознаени со него или кои го немаат прочитано ова упатство.** Електричните алати се опасни доколку со нив работат неискусни лица.
 - e) **Одржувајте го уредот со внимание. Имајте контрола околу тоа дали движечките делови на уредот работат беспрекорно и дали не се заглавени, дали деловите се скршени или оштетени до таа мерка што не може да се обезбеди функционирање на уредот. Пред примената, овие оштетени делови треба да се поправат.** Причина за многу незгоди е лошо одржуваниот електричен алат.
 - f) **Алатите за сечење одржувајте ги остри и чисти.** Внимателно одржуваните алати за сечење со остри отчрици помалку ќе се заглавуваат и со нив работата ќе биде полесна.
 - g) **Електричниот алат, прибор, работни алати итн., треба да ги користите според овие упатства, и на**

начин кој е опишан за соодветниот тип на уред. При тоа, земете ги предвид работните услови и работата која се извршува. Употребата на електричните алати за други цели кои не се предвидени, може да предизвика опасни ситуации.

5) СЕРВИСИРАЊЕ

- a) **Поправката на Вашиот уред препуштете им ја само на обучен, стручен кадар на овластен сервисер, и само со оригиналните резервни делови.** На тој начин ќе се обезбеди уредот да остане со зачувана безбедност.

БЕЗБЕДНОСНО УПАТСТВО ЗА ПОВЕЌЕНАМЕНСКИ АЛАТИ

ОПШТИ

- Овој алат не треба да го користат лица под 16 години
 - Продолжениот кабел кој го користите, мора да биде сосема одмотан и безбеден, со капацитет од 16 А
 - Секогаш проверувајте напонот да е ист со оној кој е назначен на плочката на алатот (алатите за напон од 230V или 240V исто така може да се поврзат и на напон од 220V)
 - Избегнувајте оштетувања од штрафови, шајки и други предмети во местото каде работите; тргнете ги пред да почнете со работа
 - **Зацврстете го материјалот кој го обработувате** (обработка која е зацврстена со стеги или во менгеме и побезбедна отколку да ја држите со раце)
 - **Не обработувајте никаков материјал кој содржи азбест** (азбестот важи за предизвикувач на рак)
 - **Обезбедете се алатот да е исклучен од струја пред да вршите било какво подесување или замена на приборот**
 - Кога работите, цврсто држете го алатот со двете раце и земете безбеден став
 - Кабелот секогаш држете го подалеку од деловите на алатот кои се движат; кабелот држете го на задната страна, на страна од алатот
 - **Носете заштитни ракавици кога ги менувате додаатоците** (контакт со додаток може да доведе до повреда)
 - Во случај да дојде до електричен или механички дефект, веднаш исклучете го алатот и исклучете го од приклучокот
 - Ако кабелот се оштети или пресече за време на работата, веднаш исклучете го и не го допирајте
 - Никогаш не користете алат ако кабелот е оштетен; замената на кабелот мора да ја изврши стручно лице
 - Кога ќе ја завршите работата со алатот, исклучете го моторот и проверете дали сите подвижни делови се застанати
- ПРИ ПИЛЕЊЕ/СЕЧЕЊЕ**
- **Држете го алатот за изолираните површини за зафаќање кога извршувате работа при која што дополнителната опрема за сечење може да дојде во контакт со сонриените жици или со кабелот** (ако дополнителната опрема за сечење дојдат во контакт со жица под напон може да ги електрифицираат металните делови на алатот и да предизвикаат електричен удар на операторот)

- **Држете ги рацете подалеку од областа за сечење.** Никогаш не допирајте под материјалот од која било причина додека сечете
- **Користете соодветни детектори за наоѓање на скриени инсталации или повинајте соодветна компанија за помош** (контактот со електричните линии може да доведе до струен удар; оштетувањата во гасоводна цевка може да резултира со експлозија; пенетрирање во водоводна инсталација може да доведе до оштета на предмети или електричен удар)
- Не користете сечиво што е напукнато, деформирано или тапо
- **ПРИ БРУСЕЊЕ**
- Прашината од материјали како боја која содржи олово, некои видови дрво, минерали и метали, може да биде штетна за здравјето (контактот со прашина или нејзиното вдишување може да шредизвика алергии и/или болести на дишните органи за оној кој работи со алатот или луѓето во близина); **носете маска за прашина и работете со правосмукалки доколку можете да ги поврзете**
- Некои видови на прашина се канцерогени (како на пример прашина од даб или бука), особено заедно со адитиви за одржување на дрвото; **носете маска за прашина и работете со правосмукалки доколку можете да ги поврзете**
- Следете ги процедурите на вашата земја за прашина која се јавува како резултат од материјалите со кои работите
- **Користете го алатот само за суво брусене** (навлегувањето на водата во алатот го зголемува ризикот од електричен удар)
- Не допирајте ја хартијата за брусене додека се движат
- Не користете изабени, искинати или хартија со многу налепен слој од брусене
- Се јавува искрење кога брусите метал. Не користете правосмукалка и држете ги другите лица, како и запаливиот материјал подалеку од работната средина

УПОТРЕБА

- Менување додатоци ⑤
- **! извлечете го приклучокот ано кабелот**
- извадете/ставајте го потребниот додаток како што е прикажано
- проверете дали отворите на додатоците ќе се наместат во јазичињата на главата на алатот (можно е секоја позиција за заклучување)
- поставете го додатокот со притиснат центар насочен надолу
- разлабавете/затегнете го шрафот А со инбус В
- **проверете дали додатокот е правилно поставен** (неправилно или недоволно затегнатите додатоци се разлабаваат во текот на работата и така претставуваат опасност)
- Поставување хартија за брусене ⑥
- истресете ја прашина од ВЕЛКРО-материјалот на подлошната за брусене С ② пред да ја ставите хартијата за брусене
- поставете хартија за брусене од ВЕЛКРО како што е прикажано

- **! вшмукувањето прашина изискува употреба на перфорирани хартии за брусене**
- **! перфорациите на хартијата за брусене треба да соодветствува со перфорацијата на подлогата за брусене**
- **! заменете ги изабените хартии за брусене навреме**
- **! секогаш користете го алатот со целата површина од ВЕЛКРО покриена со хартија за брусене**
- Вадење прашина/честички ⑦
- поставете го уредот за вадење прашина D како што е прикажано
- поврзете ја правосмукалката
- **! не користете уред за вадење прашина/ правосмукалка кога брусите метал**
- чистете го уредот за вадење прашина D редовно за да постигнете оптимално собирање на прашината
- Вклучено/Исклучено
- вклучувајте/исклучувајте го алатот со притискање на прекинувачот Е ② во позициите "I"/"O"
- **! пред дополнителниот дел да го допре делот за работа, алатот мора да работи со полна брзина**
- **! уредот треба да се подигне од работната површина пред тој да биде исклучен**
- Прилагодување на работната брзина ⑧
- со тркалото F може да се прилагодување потребната осцилирачка фреквенција од најмала (1) до голема (6) (дури и кога алатот работи)
- оптималната работна брзина зависи од материјалот и може да се одреди преку практични проби
- Држење и насочување на алатот
- **! додека работите, секогаш држете го алатот за местото (местата) ное (кои) се означени со сива боја ⑨**
- отворите за ладење G ② држете ги отворени
- не применувајте премногу притисок врз алатот (прекумерниот притисок ќе предизвика прекумерно загревање и може да го скрати периодот за употреба на додатокот)
- Дополток за прилагодување длабочина (DEPTH STOP) (не се добива заедно со алатот) ⑩

СОВЕТИ ЗА ПРИМЕНА


- Користете сегмент со сечиво H ② за раздвојување и забивање засеци во дрво, гипс, кнауф и пластика (исто и за пилење по рабови, на агли и на други тешко достапни места)
- Користете сечиво за забивање J ② за раздвојување и длабоко забивање засеци во дрво, гипс, кнауф и мека пластика (исто и за пилење по рабови, на агли и на други тешко достапни места)
- Многу други совети можете да најдете на www.skil.com

ОДРЖУВАЊЕ/СЕРВИСИРАЊЕ

- Овој алат не е наменет за професионална употреба
- Алатот и кабелот секогаш да се одржуваат чисти (особено отворите за ладење G ②)
- **! пред чистење извадете го алатот од приклучокот**

- Доколку алатот и покрај внимателното работење и контрола некогаш откаже, поправката мора да ја изврши некој овластен SKIL сервис за електрични алати
- во случај на примедба, испратете го алатот **нерасклопен**, заедно со сметкопотврдата, до вашиот продавач или најблискиот SKIL сервис (адресите се наведени на www.skil.com)

ЗАШТИТА НА ЖИВОТНАТА СРЕДИНА

- **Не се ослободувајте од електрични алати, уреди или амбалажа преку нивно фрлање во домашното губре** (само за земјите на ЕУ)
 - според Европската Директива 2012/19/ЕС за ослободување од електрична и електронска опрема и нејзина имплементација во согласност со националните закони, електричните алати кои го достигнале крајот на својот животен век мора да бидат собрани посебно и да бидат вратени во соодветен објект за рециклирање
 - симболот  ќе ве потсетува на ова кога ќе дојде време алатот да го фрлите

ДЕКЛАРАЦИЈА ЗА УСОГЛАСЕНОСТ CE

Повеќенаменски алат 1470

Технички податоци

- Со целосна одговорност изјавуваме дека производот опишан кај "Технички податоци" е усогласен со следните стандарди или документи за стандардизација: EN 60745, EN 61000, EN 55014 во согласност со одредбите во директивите 2014/30/EU, 2006/42/EG, 2011/65/EU
- **Техничко досие во:** SKIL Europe BV (PT-SEU/ENG1), 4825 BD Breda, NL

Marijn van der Hoofden
Operations & Engineering

Olaf Dijkgraaf
Approval Manager




SKIL Europe BV, 4825 BD Breda, NL

29.07.2014

БУЧАВА/ВИБРАЦИИ

- Мерено во согласност со EN 60745 нивото на звучен притисок е 92 dB(A) а нивото на звучна моќност 103 dB(A) (стандардно отстапување: 3 dB), и вибрација * m/c^2 (векторски збир на трите показатели; несигурност $K = 1,5 m/c^2$)
 - * кога чистите 8,8 m/c^2
 - * со површина за сечиво со забивање 13,9 m/c^2
 - * со површина за сегмент со сечиво 7,2 m/c^2
- Нивото на емитурање на вибрации кое е наведено на задниот дел на ова упатство е измерено во согласност со стандардизираниот тест даден во EN 60745; може да се користи за да се спореди еден алат со друг, и како првична оценка за изложеноста



на вибрации кога се користи алатот за споменатите примени

- користењето на алатот за разни примени, или со различни или неправилно чувани делови, може да доведе до значајно **зголемување** на нивото на изложеност
 - кога алатот е исклучен или кога алатот е вклучен но не врши некаква работа, може да дојде до значително **намалување** на нивото а изложеност
- ! заштитете се од ефектите на вибрациите преку одржување на алатот и неговите делови, одржување на топлината во вашите раце, и организирање на вашата работа**

AL

Vegël shumëfunksionale 1470

HYRJE

- Kjo pajisje është e projektuar për sharrimin dhe prerjen në dru, plastikë, stuko, metale dhe pllaka muri të buta, si dhe për smerilimin e thatë të sipërfaqeve të vogla
- Për shkak të motorit me oshilacione, aksesori rrotullohet deri në 22000 herë për minutë për 3°, që e bën këtë pajisje veçanërisht të përshtatshme për punime shumë të sakta në vende anësore, të ngushta dhe vende të tjera që janë të vështira për t'i arritur
- Kjo vegël nuk është e projektuar për përdorim profesional
- Kjo pajisje pranon pjesën më të madhe të aksesorëve të disponueshëm për pajisje shumëfunksionale, duke përfshirë aksesoret ekzistues BOSCH OIS 
- Lexoni dhe ruani këtë manual të përdorimit 

TË DHËNAT TEKNIKE

ELEMENTET E PAJISJES

- A** Vida kapëse me rondele
- B** Çelësi heksagonal
- C** Paneli i smerilimit
- D** Pajisja e nxjerrjes së pluhurave
- E** Çelësi i ndezjes/fikjes
- F** Butoni i zgjedhjes së shpejtësisë
- G** Të çarar e ajrosjes
- H** Lama e sharrës së segmentit
- J** Lama e sharrës për prerje me zhytje (dru, 20 mm)
- K** Fleta e smerilimit (e ashpër)
- L** Fleta e smerilimit (e imët)
- M** Aksesor për rregullimin thellësi *

* JO STANDARDE E PËRFSHIRË

SIGURIA

UDHËZIMET E PËRGJITHSHME PËR SIGURINË

PARALAJMËRIM! Lexoni të gjitha paralajmërimet e sigurisë dhe të gjitha udhëzimet. Mosrespektimi i paralajmërimeve dhe udhëzimeve mund të rezultojë në goditje elektrike, zjarr dhe/ose dëmtime të rënda. **Ruani të gjitha paralajmërimet dhe udhëzimet për referencë në**

të ardhmen. Termi "pajisje elektrike" në parajlmërimi i referohet pajisjes elektrike që përdoret nga priza (me kablo) ose pajisjes elektrike me bateri (pa kablo).

1) SIGURIA E ZONËS SË PUNËS

- a) **Mbajeni zonën e punës të pastër dhe të ndriçuar mirë.** Zonat e çrregullta ose të errëta janë një ftesë për aksidente.
- b) **Mos i përdorni pajisjet elektrike në situata me mundësi shpërthimi, si në prani të lëngjeve, gazeve ose pluhurave të djegshëm.** Pajisjet elektrike shkaktojnë shkëndija që mund të ndezin pluhurat ose avujt.
- c) **Mbajini fëmijët dhe personat e tjerë larg gjatë përdorimit të veglës së punës.** Tërheqja e vëmendjes mund të shkaktojë humbjen e kontrollit.

2) SIGURIA ELEKTRIKE

- a) **Mos u vegëlës së punës duhet të përputhen me prizën. Mos modifikoni kurrë spinën në asnjë mënyrë. Mos përdorni asnjë spinë përshtatëse me veglat e punës me tokëzim.** Spinat e pamodifikuara dhe prizat përshtatëse do të zvogëlojnë rrezikun e goditjes elektrike.
- b) **Shmangni kontaktin trupor me sipërfaqe të tokëzuara si tuba, radiatorë, soba dhe frigoriferë.** Ka një rrezik më të madh të goditjeve elektrike nëse trupi është i tokëzuar.
- c) **Mos ekspozoni veglat e punës në shi ose në kushte me lagështi.** Uji që hyn në veglën e punës do të rritë rrezikun e goditjes elektrike.
- d) **Mos abuzoni me kordonin. Mos e përdorni kurrë kordonin për transportin, tërheqjen ose heqjen e spinës së veglës së punës.** Mbajeni kordonin larg nga nxehtësia, vaji, anët e mprehta ose pjesët që lëvizin. Kordonët e dëmtuar ose e bllokuar rrisin rrezikun e goditjes elektrike.
- e) **Kur përdorni një vegël pune në mjedise të jashtme, përdorni një kordon zgjatues të përshtatshëm për përdorim në mjedise të jashtme.** Përdorimi i një kordoni të përshtatshëm për përdorime në mjedise të jashtme zvogëlon rrezikun e goditjes elektrike.
- f) **Nëse përdorimi i veglës së punës në një vend me lagështi është i pashmangshëm, përdorni një automat qarku me shkarkesë me tokëzim.** Përdorimi i një automati me shkarkesë me tokëzim zvogëlon rrezikun e goditjes elektrike.

3) SIGURIA PERSONALE

- a) **Qëndroni në gatishmëri, shikoni se çfarë po bëni dhe përdorni gjykimin kur përdorni një vegël pune.** Mos e përdorni një vegël pune kur jeni i lodhur ose nën ndikimin e ilaçeve, alkoolit ose mjekimit. Një moment humbje e vëmendjes gjatë përdorimit të veglave të punës mund të shkaktojë dëmtime të rënda personale.
- b) **Përdorni pajisje personale mbrojtëse. Mbani gjithmonë pajisje për mbrojtjen e syve.** Pajisjet mbrojtëse si maska kundër pluhurit, këpucët që nuk rrëshqasin, kaskat ose pajisjet për mbrojtjen e veshëve për kushtet përkatëse do të zvogëlojnë dëmtimet personale.
- c) **Parandaloni ndezjen e rastësishme. Sigurohuni që çelësi është në pozicionin fikur para se të lidhni burimin e energjisë dhe/ose baterinë, para se të**

merrni ose të transportoni pajisjen. Transportimi i veglave të punës me gishtin në çelës ose aktivizimi i veglave të punës që kanë çelësin të ndezur është një ftesë për aksidente.

- d) **Hiqni çdo çelës ose çelës përshtatës para ndezjes së veglës së punës.** Një çelës i lënë i lidhur me një pjesës rrotulluese të veglës së punës mund të shkaktojë dëmtime personale.
 - e) **Mos u zgjasni. Mbani një vendosje të mirë të këmbëve dhe një ekuilibër të mirë në çdo moment.** Kjo gjë bën të mundur një kontroll më të mirë të veglës së punës në situata të papritura.
 - f) **Vishuni në mënyrën e duhur. Mos vishni veshje të gjera ose bizhuteri. Mbani flokët, veshjet dhe dorashkat larg nga pjesët lëvizëse.** Veshjet e gjera, bizhuteritë ose flokët e gjatë mund të kapen nga pjesët në lëvizje.
 - g) **Nëse janë ofruar pajisje për lidhjen e pajisjeve të mbledhjes dhe nxjerrjes së pluhurave, sigurohuni që ato të jenë të lidhura dhe të përdoren si duhet.** Përdorimi i mbledhjes së pluhurave mund të zvogëlojë rreziqet në lidhje me pluhurat.
- ### 4) PËRDORIMI DHE KUJDESI PËR VEGLËN E PUNËS
- a) **Mos ushtroni forcë mbi veglën e punës. Përdorni veglën e punës të dhur për përdorimin tuaj.** Vegla e punës e duhur do të realizojë një punë më të mirë dhe më të sigurt dhe me shpejtësinë që ajo është e projektuar.
 - b) **Mos përdorni veglën e punës nëse çelësi nuk e ndez apo e fik.** Çdo vegël pune që nuk mund të kontrollohet me anë të çelësit është e rrezikshme dhe duhet të riparohet.
 - c) **Shkëputni spinën nga burimi i energjisë dhe/ose baterinë nga vegla e punës para se të bëni rregullime të tjera, të ndryshoni aksesorët ose të ruani veglat e punës.** Këto masa parandaluese të sigurisë ulin rrezikun e ndezjes aksidentale të veglës së punës.
 - d) **Mbani veglat e punës larg fëmijëve dhe mos lejoni personat e pamësuar me veglën e punës ose këto udhëzime për përdorimin e pajisjes.** Veglat e punës janë të rrezikshme në duart e përdoruesve të patrajnuar.
 - e) **Mirëmbani veglat e punës. Kontrolloni për mospërshtatje ose bllokim të pjesëve lëvizëse, thyerje të pjesëve dhe gjendje të tjera që mund të ndikojnë në funksionimin e veglës së punës.** Nëse dëmtohet, riparoheni veglën e punës para përdorimit. Shumë aksidente shkaktohen nga veglat e punës jo të mirëmbajtura si duhet.
 - f) **Mbajini pajisjet prerëse të pastra dhe të mprehta.** Pajisjet e prerjes të mirëmbajtura dhe me anë të mprehta kanë më pak mundësi për t'u bllokuar dhe janë më të lehta për t'u kontrolluar.
 - g) **Përdorni veglat e punës, aksesorët dhe puntot, etj. në përputhje me këto udhëzime, duke marrë parasysh kushtet e punës dhe punën që do të kryhet.** Përdorimi i veglave për përdorime të ndryshme nga ato të përcaktuara mund të shkaktojë rreziqe.
- ### 5) SHËRBIMI
- a) **Shërbimi i veglës së punës duhet të kryhet nga një person i kualifikuar për riparimet duke përdorur**

vetëm pjesë ndërrimi identike. Kjo gjë do të sigurojë ruajtjen e sigurisë së veglave të punës.

UDHËZIMET E SIGURISË PËR PAJISJET SHUMËFUNKSIONALE

TË PËRGJITHSHME

- Kjo pajisje nuk duhet të përdoret nga personat nën moshën 16 vjeç
- Përdorni kordonë të pahapur dhe të sigurt për zgjatime, me një kapacitet 16 amper
- Kontrolli gjithmonë që voltazhi i energjisë të jetë i njëjtë si voltazhi që tregohet në etiketën e veglës (veglat me klasifikimin 230 V ose 240 V mund të lidhen po ashtu me një burim 220 V)
- Shmangni dëmtimet që mund të shkaktohen nga vidat, gozhdët dhe elementet e tjera në materialin e punës; hiqni ato para se të filloni punën
- **Siguroni materialin e punës** (një material i shtrënguar me një pajisje shtrëngimi ose morsië mbahet në mënyrë më të sigurt se sa me dorë)
- **Mos punoni me materiale që përmbajnë asbest** (asbesti konsiderohet kancerogjen)
- **Shkëputni gjithmonë spinën nga burimi i energjisë para kryerjes së rregulimeve ose ndryshimeve të aksesoreve**
- Kur punoni, mbajeni gjithmonë veglën mirë me të dyja duart dhe mbani një qëndrim të sigurt
- Mbajeni gjithmonë kordonin larg nga pjesët e lëvizshme të veglës; drejtojeni kordonin në anën e pasme, larg nga vegla
- **Përdorni doreza mbrojtëse kur ndërroni aksesorët** (kontakti me aksesorët mund të shkaktojë dëmtime)
- Në rast të një defekti elektrik ose mekanik, fikni menjëherë pajisjen dhe hiqni spinën
- Nëse kordoni dëmtohet ose pritet gjatë punës, mos e prekni kordonin por hiqni menjëherë spinën
- Mos e përdorni kurrë veglën kur kordoni është i dëmtuar; zëvendësojeni nga një person i kualifikuar
- Kur ta largoni pajisjen, fikeni motorin dhe sigurohuni që të gjitha pjesët lëvizëse të kenë ndaluar plotësisht GJATË SHARRIMIT/PRERJES
- **Mbajeni veglën e punës nga sipërfaqet e izoluar e kapjes kur kryeni një veprim ku aksesori i prerjes mund të bjerë në kontakt me tela të fshehur ose kordoni e tij** (një aksesori i prerjes që bie në kontakt me një tel elektrik mund të bëjë që pjesët metalike të ekspozuara të pajisjes të transmetojnë elektricitetin dhe të shkaktojnë goditjen elektrike të përdoruesit)
- **Mbajini duart larg nga zona e prerjes**; mos u zgjasni kurrë poshtë materialit për asnjë arsye gjatë prerjes
- **Përdorni detektorë përkatës për të gjetur linjat e fshehura të shërbimit ose telefononi kompaninë lokale të shërbimeve për ndihmë** (kontakti me linjat elektrike mund të shkaktojë zjarr ose goditje elektrike; dëmtimi i një linje gazi mund të shkaktojë një shpërthim; shpimi i një tubi uji do të shkaktojë dëmtim të pronës ose një goditje elektrike)
- Mos përdorni një thika sharre që është e krisur, e deformuar ose jo e mprehtë GJATË SMERILIMIT
- Pluhurat nga materialet si boja me plumb, disa lloje drurësh, mineralesh dhe metalesh mund të jenë të

dëmshme (kontakti ose thithja e pluhurave mund të shkaktojë reagime alergjike dhe/ose sëmundje respiratore për përdoruesin ose personat përreth); **mbani një maskë për pluhurat dhe punoni me një pajisje për heqjen e pluhurave kur mund të lidhet**

- Disa lloje pluhurash skanë klasifikuar si kancerogjene (si pluhuri i lisit dhe i ahut) veçanërisht në ndërthurje me lëndët shtesë për kondicionimin e drurit; **mbani një maskë për pluhurat dhe punoni me një pajisje për heqjen e pluhurave kur mund të lidhet**
- Respektoni kërkesat kombëtare në lidhje me pluhurat për materialet me të cilat dëshironi të punoni
- **Përdoreni pajisjen vetëm për smerilimin e thatë** (depërtimi i ujit në pajisje rrit rrezikun e goditjes elektrike)
- Mos e prekni fletën e smerilimit gjatë lëvizjes
- Mos vazhdoni të përdorni fletat e smerilimit të konsumuara, të çara ose shumë të bllokua
- Kur smeriloni metale, krijohen shkëndija; mos përdorni fshesë me korrent dhe mbajeni personat e tjera dhe materialet e djegshme larg nga zona e punës

PËRDORIMI

- Ndërrimi i aksesoreve ⑤
 - ! **hiqni spinën**
 - hiqni/montoni aksesorin e duhur si në ilustrim
 - sigurohuni që vrimat e aksesorit aktivizohen në skedat e kokës së pajisjes (çdo pozicion i mundshëm i kapjes)
 - montoni aksesorin me qendrën e shtypur me drejtim poshtë
 - lironi/shtrëngoni vidën A me çelësin heksagonal B
 - **kontrolloni aksesorin që të jetë i mbështetur mirë** (aksesorët e shtrënguar gabim ose jo në mënyrë të sigurt mund të lirohen gjatë punës dhe të jenë një rrezik)
- Montimi i fletës së smerilimit ⑥
 - shkundni pluhurat nga materiali VELCRO në panelin e smerilimit C ② para se të montoni fletën e smerilimit
 - montoni fletën e smerilimit VELCRO si në ilustrim
 - ! **thithja e pluhurave kërkon që të përdoren fletë smerilimi me vrimë**
 - ! **vrima në fletën e smerilimit duhet të përputhet me vrimën në këmbën e smerilimit**
 - ! **ndërroni fletën e smerilimit të konsumuara në kohën e duhur**
 - ! **përdoreni pajisjen gjithmonë me të gjithë sipërfaqet VELCRO të mbuluar me letër smerilimi**
- Nxjerrja e pluhurave/ashklave ⑦
 - montoni pajisjen e nxjerrjes së pluhurave D si në ilustrim
 - lidhni fshesën me korrent
 - ! **mos përdorni pajisjen e nxjerrjes së pluhurave/ fshesën me korrent kur smeriloni metale**
 - pastroni rregullisht pajisjen e nxjerrjes së pluhurave D për një rendiment optimal në mbledhjen e pluhurave
- Ndezje/Fikje
 - ndizni/fikni pajisjen duke shtyrë çelësin E ② në pozicionin "I"/"O"
 - ! **para se aksesori të prekë materialin e punës, vegla duhet të punojë me shpejtësi të plotë**
 - ! **para se ta fikni veglën, ju duhet ta ngrini atë nga materiali i punës**

- Rregullimi i shpejtësisë së punës ⑧
 - me anë të çelësit F, frekuenca e duhur e oshilacioneve mund të rregullohet nga e ulët (1) deri në e lartë (6) (edhe kur pajisja është në funksionim)
 - shpejtësia optimale e punës varet nga materiali dhe mund të përcaktohet me prova praktike
- Mbatja dhe drejtimi i veglës
 - ! **gjatë punës, mbajeni gjithmonë veglën në zonën(at) e dorezës me ngjyrë gri** ⑨
 - mbajeni të çarat e ajrimit G ② të pambuluara
 - mos ushtroni shumë trysni mbi pajisje (trysnia e tepërt do të shkaktojë nxehtësi të madhe dhe mund të shkurtojë jetëgjatësinë e përdorimit të aksesorit)
- Aksesori për rregullimin thellësi (DEPTH STOP) (jo standarde e përfshirë) ⑩

KËSHILLË PËR PËRDORIMIN

- Përdorni lama sharre për segment H ② për prerje ndarëse dhe për prerje me zhytje në dru, stuko, gips dhe plastikë (si dhe për sharrim afër anëve, në cepa dhe në vende të tjera të vështira për t'i arritur)
- Përdorni lama sharre për segmente J ② për prerje ndarëse dhe për prerje të thella me zhytje në dru, stuko, gips dhe plastikë të butë (si dhe për sharrim afër anëve, në cepa dhe në vende të tjera të vështira për t'i arritur)
- Për më shumë këshilla, vizitoni www.skil.com

MIRËMBAJTJA / SHËRBIMI

- Kjo vegël nuk është e projektuar për përdorim profesional
- Mbatimi gjithmonë veglën dhe kordonin të pastër (veçanërisht të çarat e ajrosjes G ②)
 - ! **shkëputni spinën para pastrimit**
- Nëse pajisja ka defekt pavarësisht kujdesit në prodhim dhe procedurat e provave, riparimi duhet të kryhet nga një qendër e shërbimit pas shitjes për veglat e punës të SKIL
 - dërgoni veglën të çmontuar së bashku me vërtetimin e blerjes te shitësi ose te qendra më e afërt e shërbimit e SKIL (adresat si dhe diagrami i shërbimit i veglës janë të paraqitura në www.skil.com)

MJEDISI

- **Mos i hidhni veglat elektrike, aksesoret dhe paketimin së bashku me materialet e mbeturinave familjare** (vetëm për vendet e BE-së)
 - në respektim të Direktivës evropiane 2012/19/EC për pajisjet elektrike dhe elektronike si mbetje dhe zbatimin e saj në përputhje me ligjet kombëtare, pajisjet elektrike që kanë arritur në fund të jetëgjatësisë së tyre duhet të mblidhen të ndara dhe të kthehen në një objekt riciklimi në përputhje me mjedisin.
 - simboli ⑪ do t'ju kujtojë për këtë gjë kur të jetë nevoja për t'i hedhur

DEKLARATA E KONFORMITETIT CE

Vegël shumëfunksionale 1470

Të dhënat teknike ①

- Ne deklarojmë me përgjegjësinë tonë të vetme se ky produkt i përshkruar në "Të dhënat teknike" është në përputhje me standardet ose dokumentet e standardizimit si më poshtë: EN 60745, EN 61000, EN 55014 në përputhje me dispozitat e direktivave 2014/30/EU, 2006/42/EC, 2011/65/EU
- **Dosja teknike në:** SKIL Europe BV (PT-SEU/ENG1), 4825 BD Breda, Holandë

Marijn van der Hoofden
Operations & Engineering

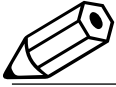
Olaf Dijkgraaf
Approval Manager

SKIL Europe BV, 4825 BD Breda, NL

29.07.2014

ZHURMA/VIBRIMI

- E matur në përputhje me EN 60745, niveli i trysnisë së tingullit i kësaj pajisje është 92 dB(A) dhe niveli i fuqisë së tingullit 103 dB(A) (shmangia standarde: 3 dB) dhe vibrimi * m/s² (shuma vektor i tre drejtime; pasiguria K = 1,5 m/s²)
 - * gjatë smerilimit 8,8 m/s²
 - * gjatë prerjes me lamë sharre për prerje me zhytje 13,9 m/s²
 - * gjatë prerjes me lamë sharre për segmente 7,2 m/s²
- Niveli i emetimit të vibrimit është matur në përputhje me një provë të standardizuar të dhënë në EN 60745; ajo mund të përdoret për të krahasuar një vegël me një tjetër dhe si një vlerësim paraprak i ekspozimit ndaj vibrimit kur përdorni pajisjen për proceset e përmendura
 - përdorimi i pajisjes për procese të ndryshme, ose me aksesorë të ndryshëm dhe të mirëmbajtur keq, mund të rritë ndjeshëm nivelin e ekspozimit
 - kohët kur pajisja është e fikur dhe kur është e ndezur por jo në punë, mund të zvogëlojnë ndjeshëm nivelin e ekspozimit
- ! **mbroni veten nga efektet e vibrimit duke mirëmbajtur pajisjen dhe aksesorët e saj, duke i mbajtur duart e ngrohta dhe duke organizuar mënyrën tuaj të punës**



- اطمینان حاصل کنید که بازشدگی های متعلقات با زبانه های سر ابزار کاملاً درگیر شده باشند (در هر وضعیت قفلی ممکن)
- متعلقات دارای مرکز فشرده را طوری سوار کنید که رو به پایین باشند
- پیچ A را با آچار آلن B مثل/سفت کنید
- محکم بودن متعلقات در محل خود را کنترل کنید (متعلقاتی که نادرست سوار شده یا محکم نشده باشند در حین کار شل شده و ایجاد خطر خواهند کرد)

- سوار کردن کاغذ سنباده ①
- قبل از قرار دادن صفحه سنباده C ① باید گرد و غبارهای جمع شده در بخش ولکرو (چسبی) صفحه سنباده را پاک کنید
- کاغذ سنباده چسبی را مطابق شکل قرار دهید
- به دلیل قابلیت مکش گرد و غبار این دستگاه باید حتماً از کاغذ سنباده های سوراخدار استفاده کنید
- سوراخهای روی کاغذ سنباده باید با سوراخهای زیره دستگاه سنباده زن هماهنگی داشته باشد
- کاغذ سنباده های مستعمل را به موقع عوض کنید
- همیشه موقع استفاده از ابزار باید کل سطح ولکرو (چسبی) آن با کاغذ سنباده پوشیده شده باشد
- مکش گرد و غبار/خرده چوب ⑤
- وسیله مکش گرد و غبار D را مطابق شکل سوار کنید
- جابجایی را وصل کنید
- هنگام سنباده زنی فلزات نباید از وسیله مکش گرد و غبار/جاروبرقی استفاده کنید
- وسیله مکش گرد و غبار D را بطور مرتب تمیز کنید تا بازدهی جمع آوری گرد و غبار آن در حد مناسب حفظ گردد

- روشن/خاموش
- ابزار را با فشار دادن کلید E ① به وضعیت «ON/OFF» روشن/خاموش کنید
- ابزار باید پیش از اینکه متعلقات به قطعه کار برسد، به دور کامل خود رسیده باشد
- ابزار را باید قبل از خاموش کردن از روی قطعه کاری برداشت
- تنظیم سرعت کار A ②
- با کلید الکترونیکی F می توان فرکانس نوسان مورد نیاز را از حد کم (1) تا زیاد (1) تنظیم کرد (حتی موقعی که ابزار در حال کار است)
- دور بهینه به نوع مواد بستگی داشته و با آزمایش های عملی مشخص می گردد
- نگهداشتن و هدایت ابزار
- هنگام کار باید همیشه ابزار را از دستگیره (های) خاکستری رنگ بگیرد ⑨
- شیارهای تهویه G ② را مسدود نکنید
- فشار بیش از حد به ابزار وارد نکنید (فشار بیش از حد گرمای زیادی تولید کرده و عمر مفید متعلقات را کاهش خواهد داد)
- وسیله تنظیم عمق (DEPTH STOP) غیر استاندارد گنجانده شده ⑤

توصیه های کاربردی

- از تیغه اره قطعه ای H ① برای جدا کردن و یا برش عمقی در چوب، گچ، سنگ گچ و پلاستیک استفاده کنید (همچنین برای برش در نزدیکی لبه ها، در گوشه ها یا سایر نقاط دور از دسترس قابل استفاده است)
- از تیغه اره عمقی L ① برای جدا کردن و یا برش عمقی در چوب، گچ، سنگ گچ و پلاستیک نرم استفاده کنید (همچنین برای برش در نزدیکی لبه ها، در گوشه ها یا سایر نقاط دور از دسترس قابل استفاده است)
- برای نکات بیشتر به www.skil.com مراجعه کنید

نگهداری / سرویس - خدمات

- این ابزار برای مصارف حرفه ای مناسب نیست
- همیشه ابزار و سیم برق را تمیز نگهدارید (بخصوص شیارهای تهویه G ②)
- پیش از تمیز کردن سیم برق را از برق بکشید
- اگر ابزار علی‌رغم تمام دقت و مراقبتی که در فرایندهای تولید و تست بکار برده شده از کار افتاد تعمیرات باید فقط در مراکز خدمات پس از فروش ابزارهای برقی SKIL انجام شود
- ابزار را بصورت پانزدهم همراه با رسید خرید به فروشنده یا نزدیک ترین مرکز خدمات رسانی SKIL بفرستید (آدرسها به همراه نمودار نقشه های سرویس ابزار در www.skil.com موجود است)

محیط زیست

- ابزارهای برقی، لوازم و متعلقات و بسته بندی آنها را نباید همراه با زباله های عادی خانگی دور انداخت (فقط مخصوص کشورهای عضو اتحادیه اروپا)
- با توجه به مصوبه اروپایی 2012/19/EC اروپا درباره لوازم برقی و الکترونیکی مستعمل و اجرای این مصوبه مطابق با قوانین کشوری، ابزارهای برقی که به پایان عمر مفید خود رسیده اند باید جداگانه جمع آوری شده و به یک مرکز بازیافت مناسب و سازگار با محیط زیست انتقال یابند
- ناماعلامت ⑩ یادآور این مسئله در هنگام دور انداختن است

اعلامیه مبنی بر رعایت استاندارد CE

ابزار چند منظوره 1470
اطلاعات فنی ①

- ما بر اساس مسئولیت انحصاری خود اعلام می نمایم که محصول شرح داده شده در قسمت «اطلاعات فنی» با استانداردها یا مستندات استاندارد شده زیر سازگاری و تطابق دارد: EN 10745, EN 11000, EN 5014, EN 50145, EN 20111/5/EU, 20114/2/EC, 20114/30/EU
- پرونده فنی در NL, Breda 4825 BD, 4845E (PT-SEU/ENG1), SKIL Europe BV

Marijn van der Hoofden
Operations & Engineering

Olaf Dijkgraaf
Approval Manager




SKIL Europe BV, 4825 BD Breda, NL
29.07.2014

صدا/ارتعاشات

- اندازه گیری ها بر اساس استاندارد EN 10745 و اندازه گیری های انجام شده انجام و مشخص شد که میزان فشار صوتی این ابزار 92 دسی بل و میزان توان صوتی آن 103 دسی بل (با انحراف استاندارد 3 دسی بل)، و میزان ارتعاشات * می باشد (جمع بردارهای سه جهت عدم قطعیت: K برابر 1,5 متر/مخزور ثانیه)
- * در صورت سنباده زنی 8,8 متر/مخزور ثانیه
- * در صورت برش با تیغه اره عمقی 13,9 متر/مخزور ثانیه
- * در صورت برش با تیغه اره قطعه ای 7,2 متر/مخزور ثانیه
- میزان انتشار ارتعاشات بر اساس تست استاندارد شده ای که در EN 10745 معرفی شده است اندازه گیری گردید: از این ارقام می توان برای مقایسه یک ابزار با دیگری و بعنوان ارزیابی اولیه در معرض قرارگیری ارتعاشات هنگام کار با ابزار در کاربری های فوق استفاده کرد

- استفاده کردن از ابزار برای کاربردهای متفاوت، یا با لوازم و متعلقات متفاوت/تفرقه با لوازم و متعلقاتی که بد نگهداری شده اند، می تواند میزان در معرض قرارگیری را بطور قابل ملاحظه ای افزایش دهد
- مواقعی که ابزار خاموش است یا روشن است ولی کاری با آن انجام نمی شود، میزان در معرض قرارگیری بطور قابل توجهی کاهش می یابد
- ! نگهداری مناسب از ابزار و لوازم و متعلقات آن، گرم نگهداشتن دست های خود، و سازمان دهی طرح های کاری می تواند خود را در برابر اثرات ارتعاش محافظت کنید

الکل و دارو استفاده کرده اید. با ابزار الکتریکی کار نکنید. یک خطه بی توجهی هنگام کار با ابزار الکتریکی. می‌تواند جراحات های شدیدی به همراه داشته باشد.

ب) همواره از تجهیزات ایمنی شخصی استفاده کنید. همواره از اینک ایمنی استفاده کنید. استفاده از تجهیزات ایمنی مانند ماسک ایمنی. کشش های ایمنی ضد لغزش. کلاه ایمنی و گوشنی ایمنی متناسب با نوع کار با ابزار الکتریکی. خطر مجروح شدن را تقلیل می دهد.

ت) مواظب باشید که ابزار الکتریکی بطور ناخواسته بکار نیفتد. قبل از وارد کردن دوشاخه دستگاه به پریز برق. اتصال آن به باطری. برداشتن آن و یا حمل دستگاه. باید دقت کنید که ابزار الکتریکی خاموش باشد. در صورتیکه هنگام حمل دستگاه انگشت شما روی دکمه قطع و وصل باشد و یا دستگاه را در حالت روشن به برق بزنید. ممکن است سوانخ کاری پیش آید.

ث) قبل از روشن کردن ابزار الکتریکی. باید همه ابزار های تنظیم کننده و آچار ها را از روی دستگاه بردارید. ابزار آچارهائی که روی بخش های چرخنده دستگاه قرار دارند. می توانند باعث ایجاد جراحات شوند.

ج) پیش از حد به آنها نزدیک نشوید. برای آچار کاری مطمئن برای خود انتخاب کرده و تعادل خود را همواره حفظ کنید. به این ترتیب می توانید ابزار الکتریکی را در وضعیت های غیر منظره بهتر تحت کنترل داشته باشید.

ح) لباس مناسب بپوشید. از پوشیدن لباس های فرخا و حمل زینت آلات خود داری کنید. موها. لباس و دستکش ها را از بخش های درحال چرخش دستگاه دور نگهدارید. لباس های فرخا. موهای بلند و زینت آلات ممکن است در قسمت های درحال چرخش دستگاه گیر کنند.

خ) در صورتیکه می توانید وسایل مکش گرد و غبار و یا وسیله جذب زائده را به دستگاه نصب کنید. باید مطمئن شوید که این وسایل نصب و درست استفاده می شوند. استفاده از وسایل مکش گرد و غبار مصونیت شما را در برابر گرد و غبار زیاد تر می کند.

۴) استفاده صحیح از ابزار الکتریکی و مراقبت از آن

ا) از وارد کردن فشار زیاد روی دستگاه خود داری کنید. برای هر کاری. از ابزار الکتریکی مناسب با آن استفاده کنید. بکار گرفتن ابزار الکتریکی مناسب باعث می شود که بتوانید از توان دستگاه بهتر و با اطمینان بیشتر استفاده کنید.

ب) در صورت ایراد در کلید قطع و وصل ابزار برقی. از دستگاه استفاده نکنید. ابزار الکتریکی که نمی توان آنها را قطع و وصل کرد. خطرناک بوده و باید تعمیر شوند.

ت) قبل از تنظیم ابزار الکتریکی. تعویض متعلقات و یا کنار گذاشتن آن. دوشاخه را از برق کشیده و یا باطری آنرا خارج کنید. رعایت این اقدامات پیشگیری ایمنی از زاره افتادن ناخواسته ابزار الکتریکی جلوگیری می کند.

ث) ابزار الکتریکی را در صورت عدم استفاده. از دسترس کودکان دور نگهدارید. اجازه ندهید که افراد نا وارد و یا اشخاصی که این دفتر چه را خوانده اند. با این دستگاه کار کنند. قرار گرفتن ابزار الکتریکی در دست افراد ناوارد و بی تجربه خطرناک است.

ج) از ابزار الکتریکی خوب مراقبت کنید. مواظب باشید که قسمت های متحرک دستگاه خوب کار کرده و گیر نکنند. همچنین دقت کنید که قطعات ابزار الکتریکی شکسته و یا آسیب دیده نباشند. قطعات آسیب دیده را قبل از شروع به کار تعمیر کنید. علت بسیاری از سوانخ کاری. عدم مراقبت کامل از ابزارهای الکتریکی می باشد.

ح) ابزار برش را تیز و تمیز نگهدارید. ابزار برشی که خوب مراقبت شده و از لبه های تیز برخوردارند. کمتر در قطعه کار گیر کرده و بهتر قابل هدایت می باشند.

خ) ابزارهای الکتریکی. متعلقات. ابزار که روی دستگاه نصب می شوند و غیره را مطابق دستورات این جزوه راهنما طوری به کار گیرید که با مدل این دستگاه تناسب داشته باشند. همچنین به شرایط کاری و نوع کار توجه کنید. کاربرد ابزار برقی برای موارد کاری که برای آن در نظر گرفته نشده است. می‌تواند شرایط خطرناکی را منجر شود.

۵) سرویس

ا) برای تعمیر ابزار الکتریکی فقط به متخصصین حرفه ای رجوع کرده و از وسایل یدکی اصل استفاده کنید. این باعث خواهد شد که ایمنی دستگاه شما تضمین گردد.

هشدارهای ایمنی برای ابزارهای چند منظوره

عمومی

- افراد کمتر از ۱۶ سال نباید با این دستگاه کار کنند
- سیم های رابط برق باید کاملاً باز شده و ایمن باشند. از سیم هایی با رده بندی ۱۶ آمپر

• همیشه مطمئن شوید که ولتاژ ورودی دستگاه برابر ولتاژی باشد که روی پلاک دستگاه نوشته شده است (ابزارهایی که ولتاژ ورودی آنها ۲۰ یا ۲۴۰ ولت مشخص شده است می توانند با برق ۲۲۰ ولت هم کار کنند)

• بیج ها میخ ها و سایر اجزا دیگر می توانند به قطعه کاری شما آسیب بزنند؛ بنابراین پیش از شروع کار آنها را بردارید

• قطعه کاری را محکم کنید (اگر قطعه کاری را با گیره های بخاری یا گیره های رومیزی ثابت کنید بسیار مطمئن تر از گرفتن آن با دست خواهد بود)

• با موادی حاوی آزبست کار نکنید (آزبست سرطان زا است)

• قبل از هرگونه تنظیم یا تعویض کردن لوازم و ملحمتعلقات حتماً باید سیم برق دستگاه را از پریز بکشید

• همیشه موقع کار باید ابزار را با هر دو دست خیلی محکم گرفته و در حالت مطمئن بایستید

• همیشه سیم برق را از بخشهای متحرک ابزار دور بگیرید؛ سیم را به سمت پشت. و دور از ابزار بگیرید

• هنگام عوض کردن متعلقات از دستکش ایمنی استفاده کنید (تماس با متعلقات می تواند باعث جراحات شود)

• در صورت بروز اشکالات برقی یا مکانیکی. فوراً ابزار را خاموش کرده و سیم برق آنرا از پریز بکشید

• اگر سیم برق آسیب دیده یا بریده شده باشد. هرگز به سیم دست نزنید. اما فوراً آنرا از پریز بکشید

• وقتی که سیم برق ابزار آسیب دیده هرگز از آن استفاده نکنید و از یک فرد متخصص بخواهید آنرا برای شما عوض کند

• وقتی که کار شما با ابزار تمام شد. حتماً موتور آنرا خاموش کرده و مطمئن شوید که تمام بخشهای متحرک آن از حرکت ایستاده اند

• هنگام ازه کاری برش

• هنگام استفاده از ابزار در مواردی که امکان دارد متعلقات برش با سیم های پنهان شده یا سیم های خود ابزار تماس پیدا کنند. حتماً ابزار را از جای دست های مخصوص عایق شده بگیرید (تماس متعلقات برش با سیم های «برق دار» می تواند در بخش های فلزی دستگاه نیز جریان «برق» تولید کرده و موجب شوک برقی استفاده کننده شود)

• دست های خود را از ناحیه برش دور نگه دارید؛ هرگز هنگام برش به هیچ دلیلی دست خود را زیر قطعه کار نبرید

• برای پیدا کردن سیم و لوله های پنهان از دستگاه های دستکورت مناسب استفاده کرده یا با شرکت های آب و برق و گاز محلی تماس گرفته و از آنها کمک بخواهید (تماس با سیم های برق موجب آتش سوزی و برق گرفتگی می شود؛ آسیب رساندن به لوله های گاز سبب انفجار می شود؛ سوراخ کردن لوله های آب به ساختمان آسیب رسانده و موجب خطر برق گرفتگی می شود)

• اگر تیغه اره ترک دارد. تغییر شکل یافته یا کند شده است از آن استفاده نکنید

• هنگام سنباده زنی

• گرد و خاکی که از موادی مانند رنگ های حاوی سرب. برخی گونه های چوب. مواد معدنی و فلزات بلند می شود می تواند خطرناک باشد (تماس با این گرد و خاکیها و یا تنفس آنها می تواند در کاربران ابزار یا افراد نزدیک به محل کار واکنش های حساسیتی و یا بیماری های تنفسی ایجاد کند؛ یک ماسک مخصوص گرد و خاک بزنید و در صورت امکان از وسیله مکش گرد و خاک استفاده کنید)

• برخی از گرد و خاکیها (مانند گرد و خاکی که از چوب بلوط یا راش بلند می شود) علی الخصوص در مجاورت افزودنی های مخصوص چوب سربطان را هستند؛ یک ماسک مخصوص گرد و خاک بزنید و در صورت امکان از یک وسیله مکش گرد و خاک استفاده کنید

• از مقررات ملی مربوط به گرد و خاک موادی که می خواهد با آنها کار کنید پیروی نمایید

• از این ابزار فقط برای سنباده زنی خشک استفاده کنید (نفوذ آب به ابزار خطر برق گرفتگی را افزایش خواهد داد)

• به کاغذ متحرک سنباده دست نزنید

• از کاغذ سنباده های مستعمل. پاره یا آلوده استفاده نکنید

• هنگام سنباده زنی فلزات. جرقه تولید می شود؛ از جاوردیسی استفاده نکرده و افراد دیگر و مواد قابل اشتعال را از محل کار دور نگه دارید

استفاده

• عوض کردن متعلقات ⑤

! سیم برق را از برق جدا کنیدبکشید

- متعلقات مورد نیاز را مطابق شکل باز کرده/سوار کنید

١) اسمح بتصليح عدتك الكهربائية فقط من قبل المتخصصين فقط

باستعمال قطع الغيار الأصلية. يؤمن ذلك المحافظة على أمان الجهاز.

تعليمات السلامة الخاصة بالأدوات متعددة الوظائف

معلومات عامة

- لا يجب استخدام هذه الأداة من قبل الأشخاص الأقل من ١٦ عام.
- استخدم أسلاك تمديد مفكوكة تمامًا وأمنة سعة ١٦ أمبير (١٣) أمبير في بريطانيا العظمى
- تأكد دائمًا من أن الفولت الزود هو نفسه المشار إليه على اللوحة الخاصة بالأداة (يمكن كذلك توصيل الأدوات ذات التصنيف ٢٣٠ فولت و ٢٤٠ فولت بمصدر إمداد ٢٢٠ فولت).
- جنب التلف الذي قد تتسبب فيه البراغي والمسامير والعناصر الأخرى الموجودة في القطعة التي تعمل بها. قم بفكهم قبل بدء العمل.
- ثبت قطعة العمل (الإسماك بقطعة عمل مثبتة بأجهزة تثبيت أو في ملزمة أكثر أمانًا من مسكها باليد).
- لا تعمل باستخدام مواد تشتمل على الأسبستوس (يعتبر الأسبستوس مادة مسرطنة).
- احرص دائمًا على فصل القابيس من مصدر الطاقة قبل القيام بأية عمليات ضبط أو تغيير أية ملحقات.
- أثناء العمل. أحكم دائمًا الإسماك بالأداة بكلتا يديك مع اتخاذ مسافة أمان.
- حافظ دائمًا على بقاء السلك بعيدًا عن الأجزاء المتحركة بالأداة. ووجه السلك للخلف بعيدًا عن الأداة.
- استخدم قضبان وقاية عند تغيير الملحقات (ملامسة للملحقات قد تتسبب في حدوث إصابات).
- في حالة حدوث خلل كهربائي أو ميكانيكي. أوقف تشغيل الأداة فورًا وافصل القابيس.
- في حالة تعرض السلك للتلف أو لقطع أثناء العمل. لا تلمس السلك وافصل القابيس فورًا
- يحظر نهائيًا استخدام الأداة في حالة تلف السلك. بل قم باستبداله من قبل أحد الأفراد المؤهلين
- عندما تضع الأداة جانبًا. أوقف تشغيل المحرك وتأكد من توقف جميع الأجزاء المتحركة بشكل تام
- عند النشر/القطع
- امسك بالأداة الكهربائية بواسطة أسطح إمساك معزولة وذلك عند القيام بأعمال قد تتعرض لملحقات القطع من خلالها إلى التلامس مع أسلاك غير ظاهرة أو مع السلك الخاص بها تلامس ملحقات القطع مع سلك «متصل بالكهرباء» سيؤدي إلى «وصول التيار الكهربائي» إلى الأجزاء المعدنية المكشوفة وقد يعرض المشغل لصدمة كهربائية)
- احرص على بقاء يديك بعيدًا عن منطقة القطع. يحظر نهائيًا مدهًا أسفل المادة لأي سبب أثناء القطع.
- استخدم كاشفات ملائمة للعثور على خط المرافق أو اطلب شركة المرافق المحلية للحصول على مساعدة (التلامس مع خطوط إمداد الكهرباء قد يؤدي إلى حدوث حريق أو صدمة كهربائية؛ وتلف خط الغاز قد يؤدي إلى حدوث انفجار؛ واختراق الأنابيب المياه سيتسبب في حدوث ضرر في الممتلكات أو صدمة كهربائية).
- لا تستخدم نصل منشأر يحتوي على شقوق أو معوّج أو غير حاد.
- عند الصنفرة
- الغبار الناتج من المواد كالطلاء الذي يحتوي على رصاص وبعض أنواع الأخشاب والمعادن والمكونات المعدنية قد يكون ضارًا (ملامسة أو استنشاق الغبار قد تتسبب في إصابة المشغل أو من يجاوره بأمراض الحساسية) وأو أمراض الجهاز التنفسي؛ قم بارتداء قناع للغبار مع العمل باستخدام جهاز شطف للغبار. طالما أمكن توصيله
- ثمة أنواع معينة من الغبار تُصنّف على أنها مواد مسببة للسرطان (مثل غبار خشب البلووط والزئبق) خاصة عند استخدامها مع مواد مضافة لمعالجة الخشب؛ قم بارتداء قناع للغبار مع العمل باستخدام جهاز شطف للغبار. طالما أمكن توصيله
- الترمز بالمتطلبات الوطنية الخاصة بالغبار عند العمل باستخدام المواد المطلوبة
- لا تستخدم الأداة سوى للصنفرة الجافة (نفاذ الماء داخل الأداة يزيد خطورة التعرض لصدمة كهربائية).
- لا تلمس لوح الصنفرة المتحرك
- لا تستمر في استخدام ألواح الصنفرة التالفة أو الممزقة أو المدسودة بشكل كبير؛ عند صنفرة المعادن. تتولد شرارة؛ لا تقم باستخدام المكنتسة الكهربائية وحرص على بقاء الأفراد والمواد الأخرى القابلة للاشتعال بعيدًا عن منطقة العمل.

الاستخدام

تغيير الملحقات ④

! افضل القابيس:

- قم بإزالة/تركيب الملحق المطلوب كما هو موضح في الشكل.
- تأكد من تعشيق فتحات الملحق في عراوي مقدمة الأداة (أي وضع إبطيي يمكن).
- قم بتركيب الملحق بحيث يشير المركز المضغوط لأسفل.
- قم بفك/ربط البرغي A باستخدام مفتاح مسدس B.
- تحقق من إحكام مركز الملحق (الملحقات المثبتة بطريقة غير صحيحة أو غير آمنة قد تفلت أثناء التشغيل وتشكل خطرًا).
- تركيب لوح الصنفرة ①
- انفض الغبار عن مادة فلكرى على ورقة الصنفرة C قبل تركيب لوح الصنفرة:
- قم بتثبيت لوح صنفرة فلكرى كما هو موضح في الشكل.
- ! يتطلب شطف الأثرية استخدام ألواح صنفرة مثقوبة:
- يجب أن تتوافق ثقب ألواح الصنفرة مع الثقوب الموجودة في طرف الصنفرة:
- ! قم باستبدال ألواح الصنفرة التالفة في الحال:
- استخدم دومًا الأداة مع سطح فلكرى مغطى بالكامل بورق صنفرة:
- شطف الغبار/فئات العنشارة ⑤
- ركب جهاز شطف الغبار D كما هو موضح في الشكل:
- وصل المكنتسة الكهربائية:
- ! لا تستخدم جهاز شطف الغبار/المكنتسة الكهربائية عند صنفرة المعادن:
- نظف جهاز شطف الغبار D بانتظام للحصول على أداء مثالي لالتقاط الغبار:
- التشغيل/إيقاف التشغيل
- قم بتشغيل/إيقاف تشغيل الأداة من خلال دفع المفتاح E ① إلى الوضع «تشغيل»/«إيقاف تشغيل»:
- ! قبل ملامسة الملحق لقطعة العمل. يجب أن تعمل الأداة بسرعتها الكاملة:
- ! قبل إيقاف تشغيل الأداة. يجب أن ترفعها عن قطعة العمل:
- ضبط سرعة العمل ⑧
- باستخدام العجلة F يمكن ضبط تردد التذبذب المطلوب من منخفض (١) إلى مرتفع (٦) أيضًا أثناء تشغيل الأداة:
- تتوقف سرعة العمل المثالية على المادة ويمكن تخديدها بالتجربة العملية:
- إمسك الأداة وتوجيهها
- ! أثناء العمل. امسك الأداة دائمًا من منطقة (مناطق) المقبض رمادية اللون ④:
- احرص على أن تكون فتحات التهوية G ② غير مغطاة:
- لا تضغط بشدة على الأداة بسبب الضغط المفرط إلى الارتفاع المفرط في درجة الحرارة وقد يتسبب في انخفاض العمر الافتراضي للملحق:
- ملحق ضبط العمق (DEPTH STOP) لا يتوفر قياسيًا مع الأداة ⑤

توصيات الاستخدام

- استخدم نصل منشأر قطعي H ⑦ للفصل ولقطوعات الغطس في الخشب والملحقات والجبس والبلاستيك (كذلك للنشر بالقرب من الحواف وفي الأركان والمناطق الأخرى التي يصعب الوصول إليها).
- استخدم نصل منشأر قطع الغطس ل ⑧ للفصل ولقطوعات الغطس العميقة في الخشب والملحقات والجبس والبلاستيك الناعم (كذلك للنشر بالقرب من الحواف وفي الأركان والمناطق الأخرى التي يصعب الوصول إليها).
- لمزيد من النصائح زر موقعنا www.skil.com

الصيانة / الخدمة

- لم يتم تصميم هذه الأداة للاستخدام الاحترافي:
- احرص دائمًا على نظافة الأداة والسلك (وخصوصًا فتحات التهوية G ②):
- ! افضل القابيس قبل التنظيف
- إذا تعذر تشغيل الأداة على الرغم من الحذر الشديد في إجراءات التصنيع والاختبار. فيجب القيام بالإصلاحات بواسطة مركز خدمة ما بعد البيع لأدوات الطاقة التابع لشركة SKIL.
- قم بإرسال الأداة دون تفكيكها بالإضافة إلى إثبات الشراء إلى البائع أو أقرب محطة خدمة SKIL/العاونين بالإضافة إلى مخطط الخدمة متاح على www.skil.com

مقدمة

- هذه الأداة مخصصة لنشر وقطع الخشب والبلاستيك واللصقات والمعادن وبلاط الجدران الدقيق وكذلك للمنشرة الجافة للأسطح الصخرية؛
- نتيجة للحركة المتذبذبة يتأرجح الملحق حتى ٢٢٠٠٠ مرة في الدقيقة بمقدار ٣ درجات مما يجعل هذه الأداة ملائمة خديماً للعمل بالأماكن ذات الحواف والضيقة والمواقع الأخرى التي يصعب الوصول إليها؛
- لم يتم تصميم هذه الأداة للاستخدام الاحترافي؛
- هذه الأداة تتوافق مع معظم الملحقات للأدوات المتعددة المتاحه، بما في ذلك ملحقات BOSCH OIS الحالية ٢
- اقرأ دليل التعليمات هذا واحتفظ بالأداة المتعددة المتاحه، بما في ذلك

البيانات الفنية ١

مكونات الأداة ٢

- A برغي قفط مع فلكة
- B مفتاح مسدس
- C ورقة صنفرة
- D جهاز شفط الغبار
- E مفتاح التشغيل/إيقاف
- F عجلة خديد السرعة
- G فتحات التهوية
- H نصل منفشار قطعي
- J نصل منفشار قطع الغطس (للخشب ٢٠ ملم)
- K لوح صنفرة (خشن)
- L لوح صنفرة (ناعم)
- M ملحق ضبط العمق *

- لا يتوفر قياساً مع الأداة

أمان

تعليمات السلامة العامة

⚠ تحذير! اقرأ جميع الملاحظات التحذيرية والتعليمات إن ارتكاب الأخطاء عند تطبيق الملاحظات التحذيرية والتعليمات قد يؤدي إلى الصدمات الكهربائية، إلى نشوب الحرائق أو إلى الإصابة بجروح خطيرة. احتفظ بجميع الملاحظات التحذيرية والتعليمات للمستقبل. بقصد مصطلح «العدة الكهربائية» المستخدم في الملاحظات التحذيرية، العدة الكهربائية الموصولة بالشبكة الكهربائية (بواسطة كابل الشبكة الكهربائية) وأيضاً العدة الكهربائية المزودة بطارية (دون كابل الشبكة الكهربائية).

١) الأمان مكان الشغل

- ١) حافظ على نظافة وحسن إضاءة مكان شغلك الفوضوية في مكان الشغل ومجال العمل الغير مضاءة قد تؤدي إلى حدوث الحوادث.
- ٢) لا تشغّل بالعدة الكهربائية في محيط معرض لخطر الانفجار والذي تتوفر فيه السوائل والغازات أو الأغبرة القابلة للاشتعال العدة الكهربائية تشكل الشر الذي قد يتطاير، فينبغي إبعاد الأغبرة والأبخرة.
- ٣) حافظ على بقاء الأطفال وغيرهم من الأشخاص على بعد عندما تستعمل العدة الكهربائية. قد تفقد السيطرة على الجهاز عند التلهي.
- ٤) الأمان الكهربائي
 - ١) يجب أن يتلاءم قابس وصل العدة الكهربائية مع المقبس. لا يجوز تغيير القابس بأي حال من الأحوال. لا تستعمل القوابس الهابطة مع العدة الكهربائية المؤرضة تأريض وقائي. تخفض القوابس التي لم يتم تغييرها والمقابس الملائمة من خطر الصدمات الكهربائية.
 - ٢) تجنب ملامسة السطوح المؤرضة كالألوانين وراياتورات التدفئة والمدافئ أو البرادات بواسطة جسمك. يزداد خطر الصدمات الكهربائية عندما يكون جسمك مؤرض.

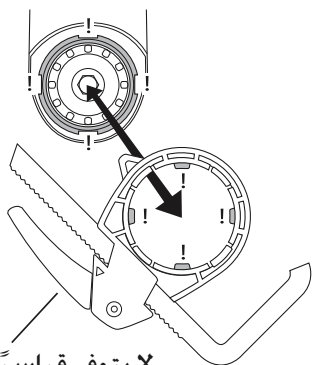
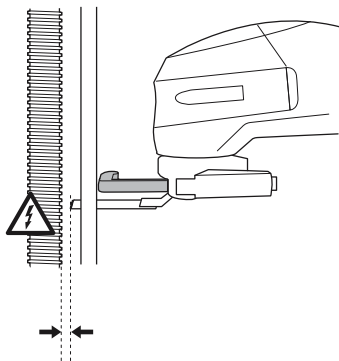
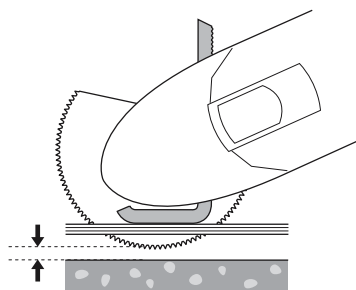
ت) أبعد العدة الكهربائية عن الأمطار أو الرطوبة. يزداد خطر الصدمات الكهربائية إن تسرب الماء إلى داخل العدة الكهربائية.

- ٣) يجب عدم إساءة استخدام الكابل. لا تسس استعمال الكابل لحمل العدة الكهربائية أو لتعليقها أو لنسحب القابيس من المقبس. حافظ على إبعاد الكابل عن الحرارة والنزيت والحواف الحادة أو عن أجزاء الجهاز المتحركة. تزيد الكابلات التالفة أو المتشابكة من خطر الصدمات الكهربائية.
- ٤) استخدم فقط كابلات التمديد الصالحة للإستعمال الخارجي أيضاً عندما تشغّل بالعدة الخارجية من الخلاء. يخضع استعمال كابل تمديد مخصص للإستعمال الخارجي من خطر الصدمات الكهربائية.
- ٥) إن لم يكن بالإمكان عدم تشغيل العدة الكهربائية في الأجواء الرطبة، فاستخدم مفتاحاً للوقاية من التيار المتردد. إن استخدام مفتاح للوقاية من التيار المتردد يقلل خطر الصدمات الكهربائية.

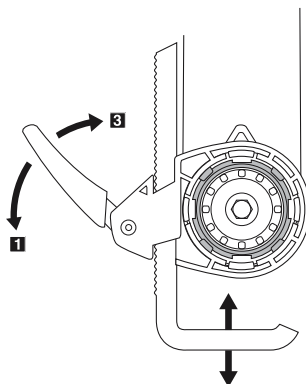
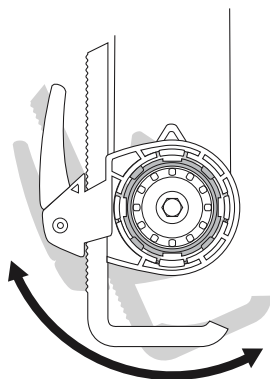
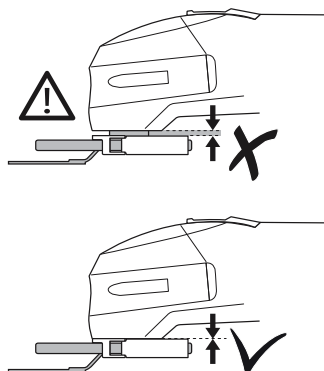
٣) أمان الأشخاص

- ١) كن يقظاً وأنشبه إلى ما تفعله وقم بالعمل بواسطة العدة الكهربائية بتعقل. لا تستخدم عدة كهربائية عندما تكون متعب أو عندما تكون تحت تأثير المخدرات أو الكحول أو الأدوية. احتفظ بالحدة واحدة عند إستخدام العدة الكهربائية قد يؤدي إلى إصابة خطيرة.
- ٢) ارتد عتاد الوقاية الخاص. وارتد دائماً نظارات واقية. يجب ارتداء عتاد الوقاية الخاص. كقفازات الوقاية من الغبار وأحذية الأمان الواقية من الإزلاق والحذو واقية الأذنين. حسب نوع وإستعمال العدة الكهربائية. من خطر الإصابة بجروح.
- ٣) تجنب التشغيل بشكل غير مقصود. تأكد من كون العدة الكهربائية مطفاة قبل وصلها بإمداد التيار الكهربائي و/ أو بالركم، وقبل رفعها أو حملها. إن كنت تضع إصبعك على المفتاح أثناء حمل العدة الكهربائية أو إن وصلت الجهاز بالشبكة الكهربائية عندما يكون قيد التشغيل، فقد يؤدي ذلك إلى حدوث الحوادث.
- ٤) انزع عدد الضبط أو مفتاح الربط قبل تشغيل العدة الكهربائية. قد تؤدي العدة أو المفتاح النواجد في جزء دوار من الجهاز إلى الإصابة بجروح.
- ٥) تجنب أوضاع الجسم غير الطبيعية. قف بأمان وحافظ على توازنك دائماً. سيسمح لك ذلك من السيطرة على الجهاز بشكل أفضل في المواقف غير المتوقعة.
- ٦) ارتد ملابس مناسبة. لا ترتدي الثياب الفضفاضة أو الخلي. حافظ على إبقاء الشعر والثياب والقفازات على بعد عن أجزاء الجهاز المتحركة. قد تتشابك الثياب الفضفاضة والخلي والشعر الطويل بالأجزاء المتحركة.
- ٧) إن جاز تركيب جهاز شفط وجميع الغبار، فتأكد من أنها موصولة وبأنه يتم استخدامها بشكل سليم. قد يقلل إستخدام خيبرات لشفط الأغبرة من الخطر الناتجة عن الأغبرة.
- ٨) حسن معاملة وإستخدام العدة الكهربائية
 - ١) لا تطرف في تحمّل الجهاز. إستخدم لتنفيذ أشغالك العدة الكهربائية المخصصة لذلك. إنك تعمل بشكل أفضل وأكثر أماناً بواسطة العدة الكهربائية الملائمة في مجال الأداء المذكور.
 - ٢) لا تستخدم العدة الكهربائية إن كان مفتاح تشغيلها تالف. العدة الكهربائية التي لم تعد تسمح بتشغيلها أو بإطافئها خطيرة ويجب أن يتم تصليحها.
 - ٣) اسحب القابيس من المقبس و/ أو انزع المركم قبل ضبط الجهاز وقبل إستبدال النوع أو قبل وضع الجهاز جانباً. تمنع إجراءات الاحتياط هذه تشغيل العدة الكهربائية بشكل غير مقصود.
 - ٤) احتفظ بالعدة الكهربائية التي لا يتم إستخدامها بعيداً عن متناول الأطفال. لا تسمح للأطفال بإستخدام العدة الكهربائية لمن لا خبرة له بها أو لمن لم يقرأ تلك التعليمات. العدة الكهربائية خطيرة إن تم استخدامها من قبل أشخاص دون خبرة.
 - ٥) اعتن بالعدة الكهربائية بشكل جيد. تفحص عما إذا كانت أجزاء الجهاز المتحركة تعمل بشكل سليم وبأنها غير مستخدمة من الحركة أو إن كانت هناك أجزاء مكسورة أو تالفة لدرجة تؤثر فيها على حسن أداء العدة الكهربائية. ينبغي تصليح هذه الأجزاء التالفة قبل إعادة تشغيل الجهاز. الكثير من الحوادث مصدرها العدة الكهربائية التي تم صيانتها بشكل ردي.
 - ٦) حافظ على إبقاء عدد القطع نظيفة وحادّة. إن عدد القطع ذات حواف القطع الحادة التي تم صيانتها بعناية تتكلس بشكل أقل ويمكن توجيهها بشكل أسير.
 - ٧) استخدم التعليمات الكهربائية والنواع وعدد الشغل والخ حسب هذه التعليمات. تراعى أثناء ذلك شروط الشغل والعمل المراد تنفيذه. استخدام العدة الكهربائية لغير الأشغال المخصصة لأجلها قد يؤدي إلى حدوث الحالات الخطيرة.

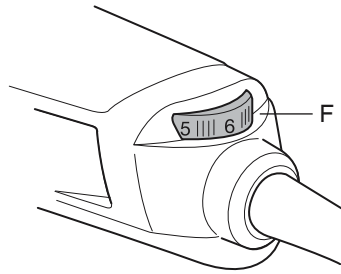
١٠



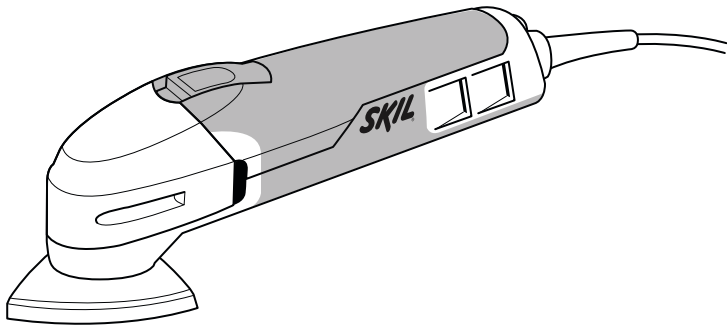
لا يتوفر قياسياً مع الأداة



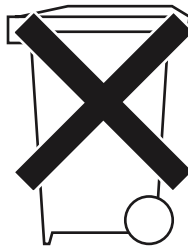
8



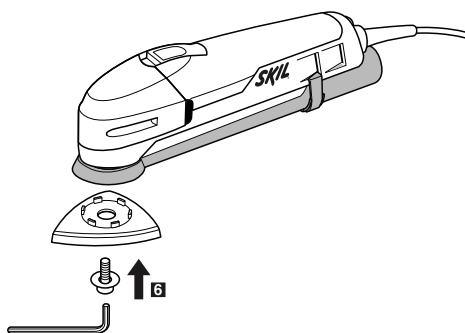
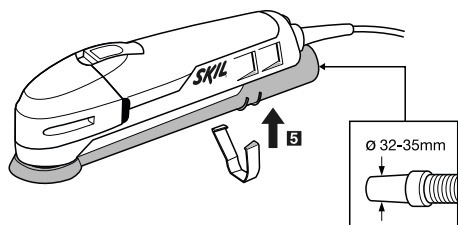
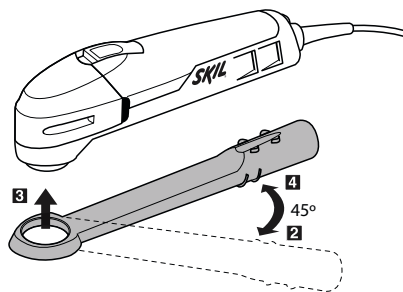
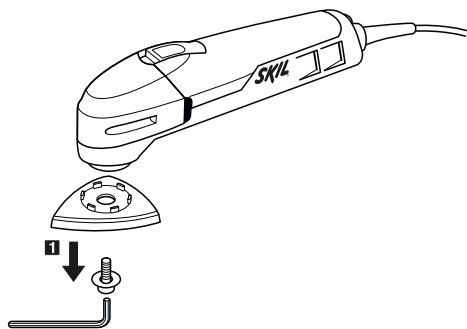
9

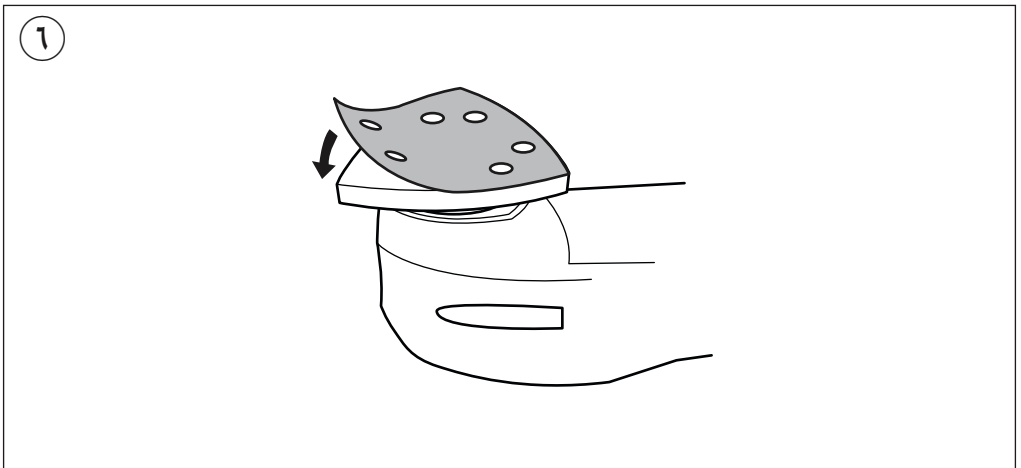
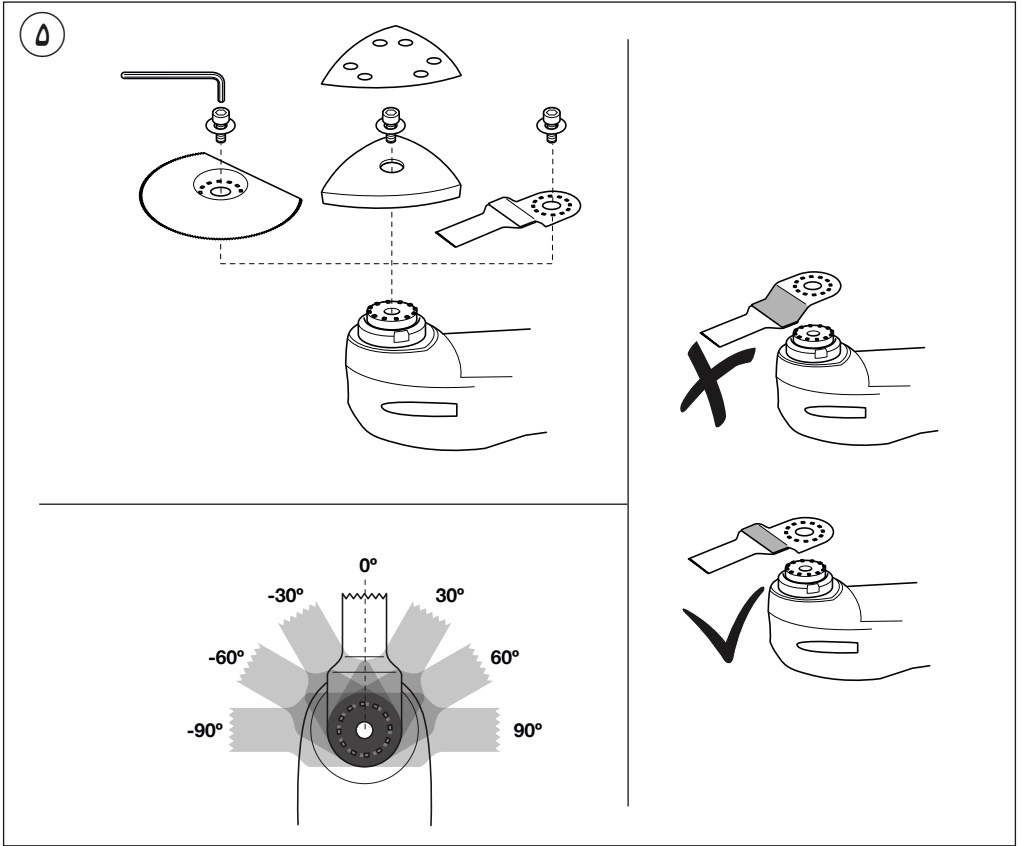


11



V





1

1470

200
Watt

1,1 kg
EPTA 01/2003

15000-22000
/min

1,5°

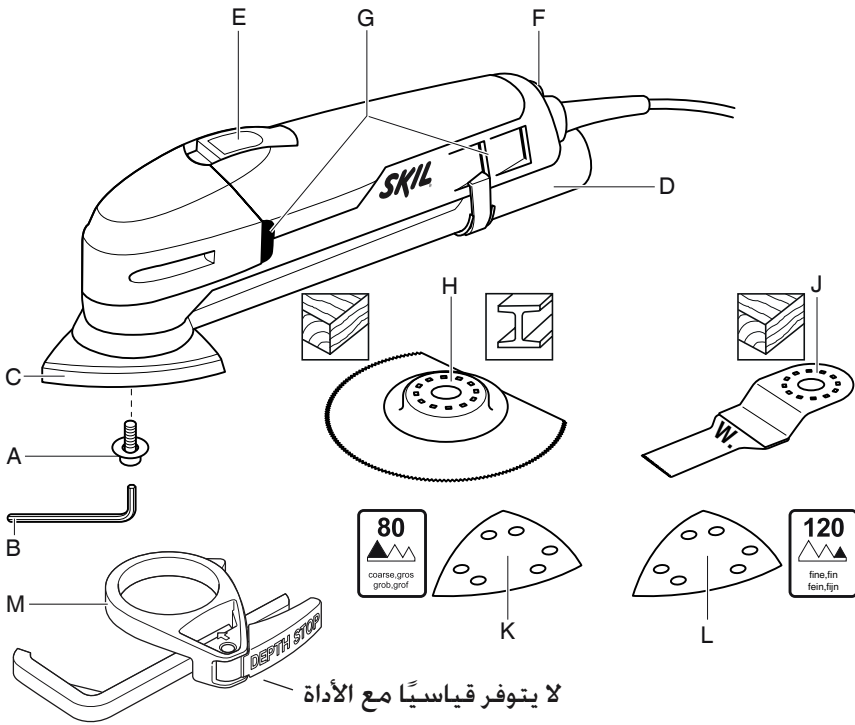
15000

OIS

93 mm

230
240
V~
50-60 Hz

2



3

OIS
Oscillating
Interface
System

4



أداة متعددة الوظائف

1470

SKIL[®]



دليل الاستعمال

AR

راهنماي اصلي

FA



2610Z05076

07/14

سكيل أوروبا ب.د.ق. - كونينانبرج 60
4825 ب.د. بريدا - هولندا



Сертификат о соответствии
KZ.7500052.22.01.04190
Срок действия сертификата о соответствии
по 09.07.2018
ТОО «Центр Сертификации продукции и услуг»
г. Алматы, ул Кабанбай батыра,
уг. Калдаякова 51/78

ДАТА ПРОИЗВОДСТВА