

# SKIL®

## ROTARY HAMMER 1766 (F0151766..)



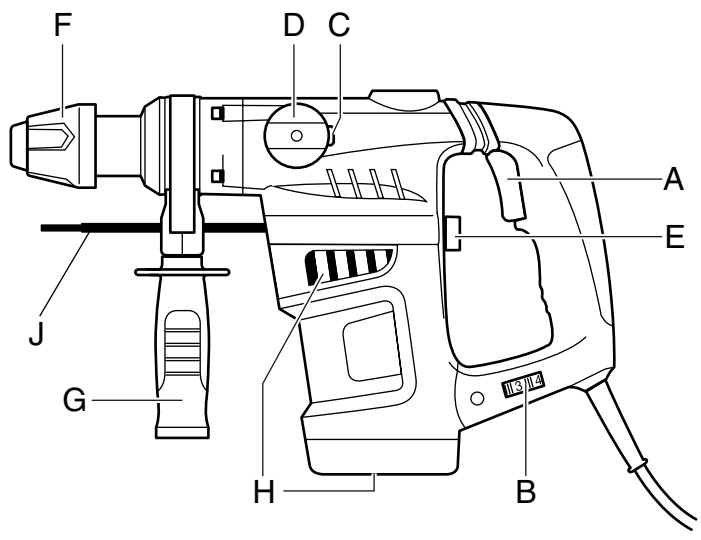
<b>GB</b>	ORIGINAL INSTRUCTIONS	7	<b>UA</b>	ОРИГІНАЛЬНА ІНСТРУКЦІЯ З ЕКСПЛУАТАЦІЇ	61
<b>F</b>	NOTICE ORIGINALE	10	<b>GR</b>	ΠΡΩΤΟΤΥΠΟ ΟΔΗΓΙΩΝ ΧΡΗΣΗΣ	64
<b>D</b>	ORIGINALBETRIEBSANLEITUNG	13	<b>RO</b>	INSTRUCȚIUNI DE FOLOSIRE ORIGINALE	68
<b>NL</b>	ORIGINELE GEBRUIKSAANWIJZING	17	<b>BG</b>	ОРИГИНАЛНО РЪКОВОДСТВО ЗА ЕКСПЛОАТАЦИЯ	72
<b>S</b>	BRUKSANVISNING I ORIGINAL	20	<b>SK</b>	PŔVODNÝ NÁVOD NA POUŽITIE	76
<b>DK</b>	ORIGINAL BRUGSANVISNING	23	<b>HR</b>	ORIGINALNE UPUTE ZA RAD	79
<b>N</b>	ORIGINAL BRUKSANVISNING	26	<b>SRB</b>	ORIGINALNO UPUTSTVO ZA RAD	82
<b>FIN</b>	ALKUPERÄISET OHJEET	29	<b>SLO</b>	IZVIRNA NAVODILA	85
<b>E</b>	MANUAL ORIGINAL	32	<b>EST</b>	ALGUPÄRANE KASUTUSJUHEND	88
<b>P</b>	MANUAL ORIGINAL	36	<b>LV</b>	ORIĢINĀLĀ LIETOŠANAS PAMĀCĪBA	91
<b>I</b>	ISTRUZIONI ORIGINALI	40	<b>LT</b>	ORIGINALI INSTRUKCIJA	95
<b>H</b>	EREDETI HASZNÁLATI UTASÍTÁS	43	<b>MK</b>	ИЗБОРНО УПАТСТВО ЗА РАБОТА	98
<b>CZ</b>	PŔVODNÍM NÁVODEM K POUŽÍVÁNÍ	47	<b>AL</b>	UDHËZIMET ORIGINALE	102
<b>TR</b>	ORİJİNAL İŞLETME TALİMATI	50	<b>AR</b>	دليل الاستعمال	110
<b>PL</b>	INSTRUKCJA ORYGINALNA	53	<b>FA</b>	راهنمای اصلی	108
<b>RU</b>	ПОДЛИННИК РУКОВОДСТВА ПО ЭКСПЛУАТАЦИИ	57			



1 1766

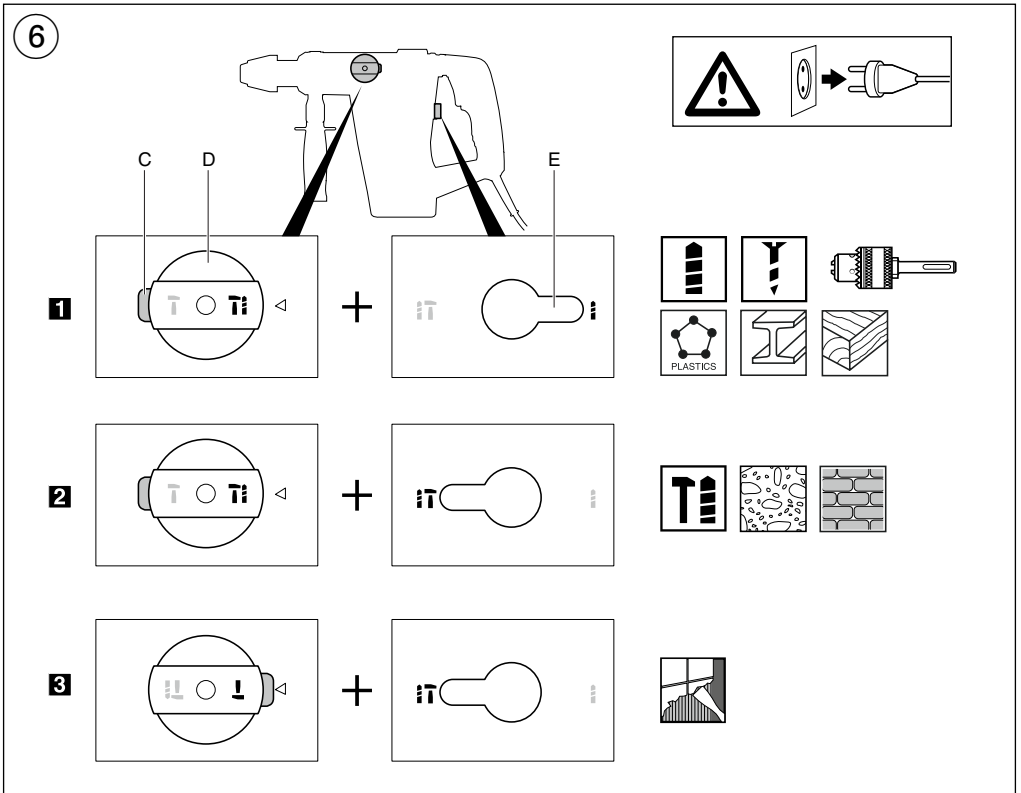
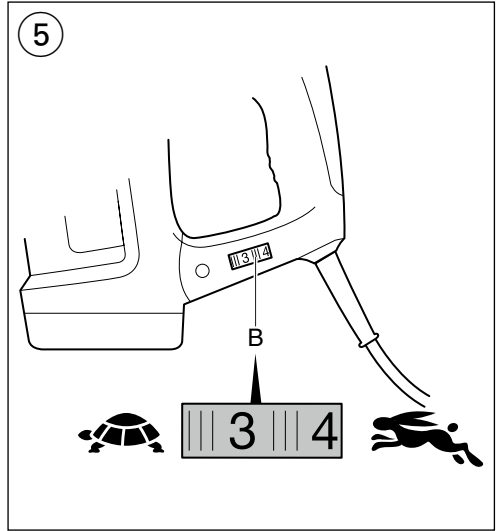
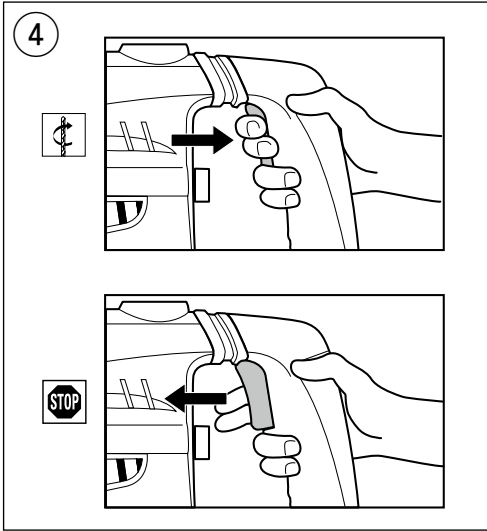
<b>1500</b> Watt	<b>5,3 kg</b> EPTA 01/2003	<b>n<sub>0</sub></b> 0-800 /min	<b>SDS+</b>	<b>Fe</b> <b>13 mm</b>
<b>36 mm</b>	<b>40 mm</b>	<b>0-2700</b> p/min	<b>4,5 J power*</b>	<b>220</b> <b>-</b> <b>240</b> V~ 50-60 Hz

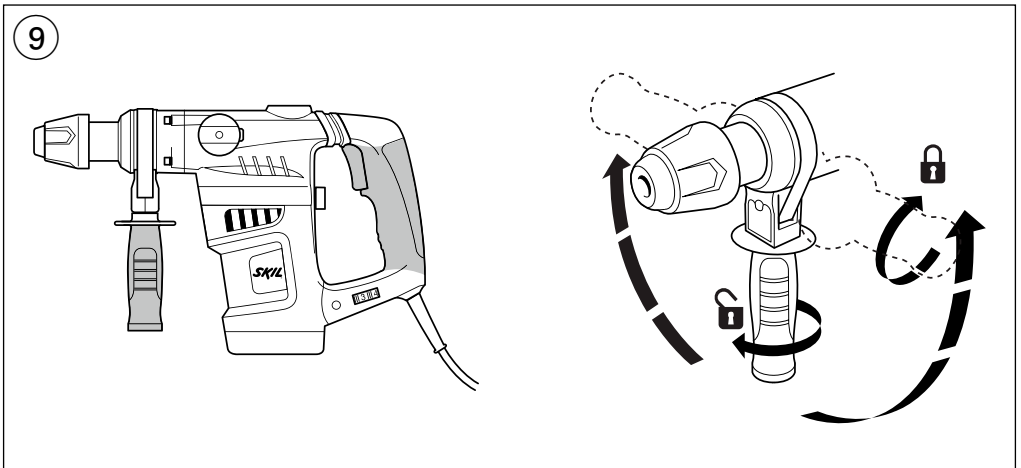
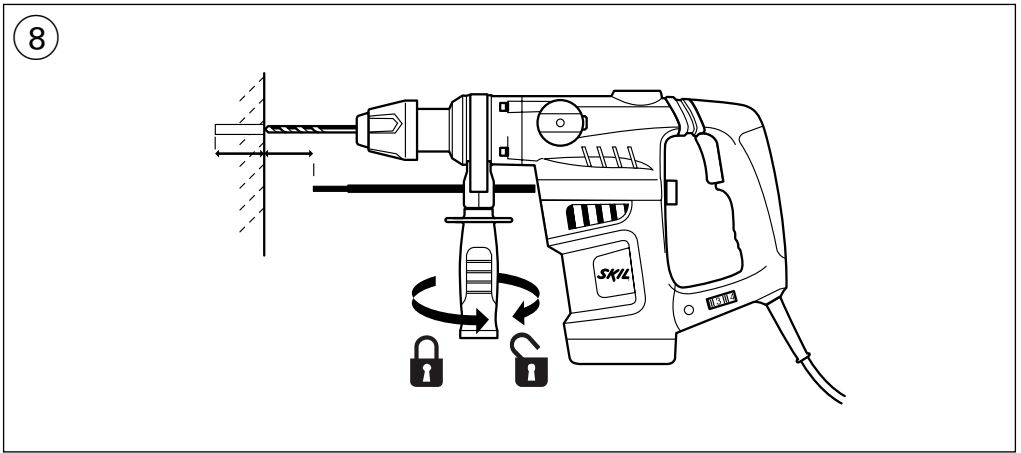
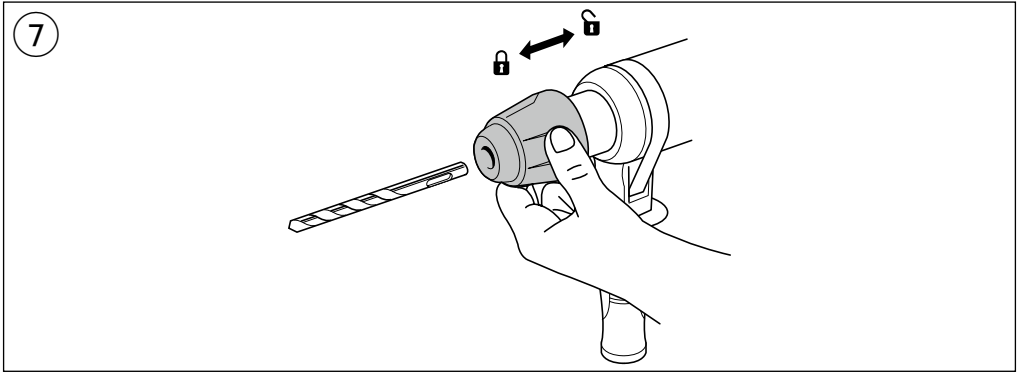
2



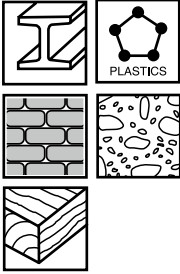
3





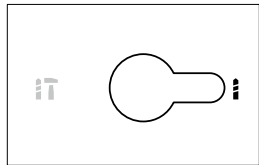
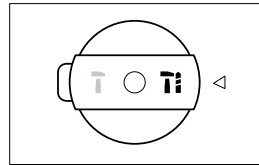
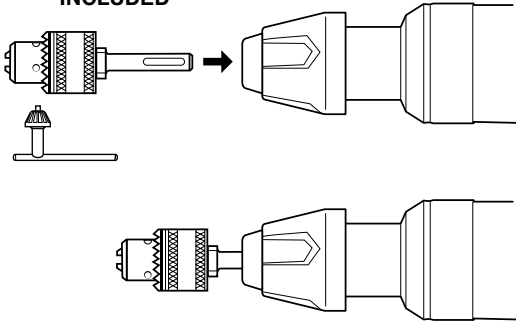


10

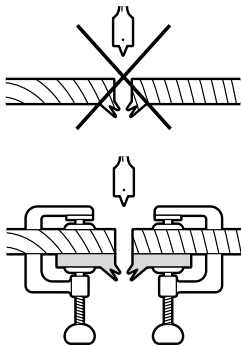


11

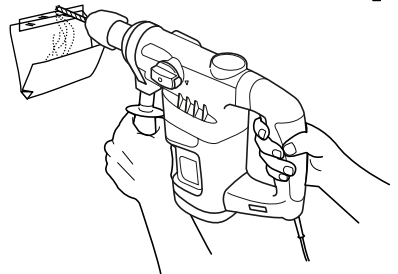
NOT STANDARD INCLUDED

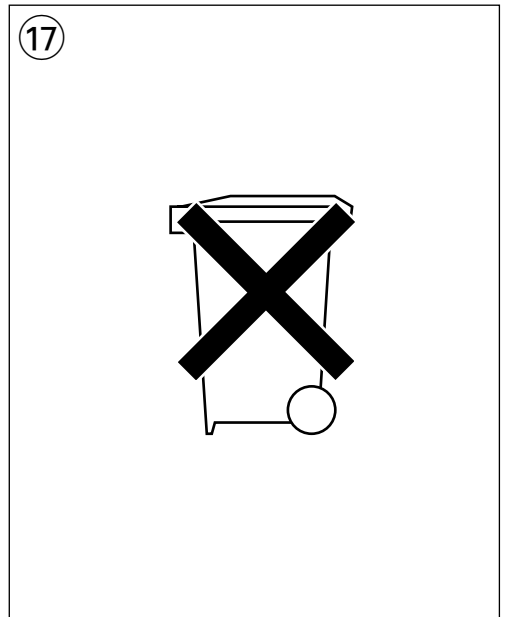
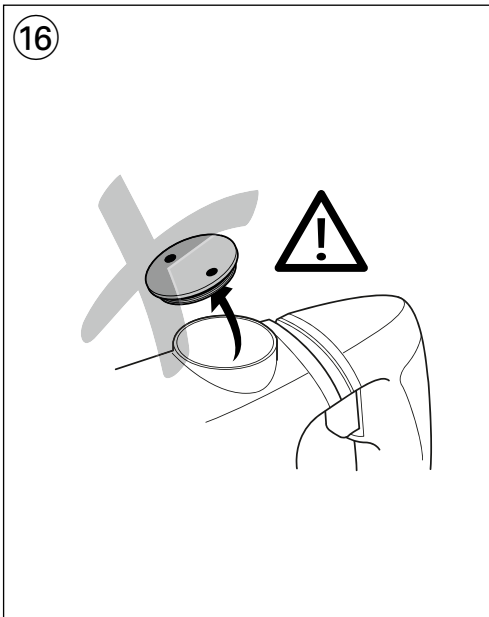
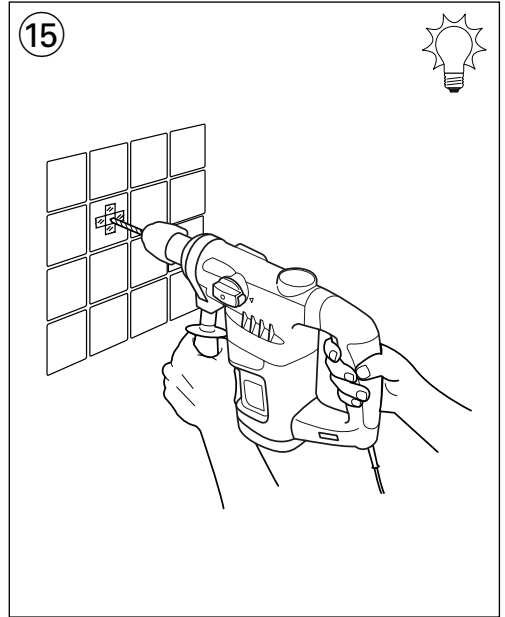
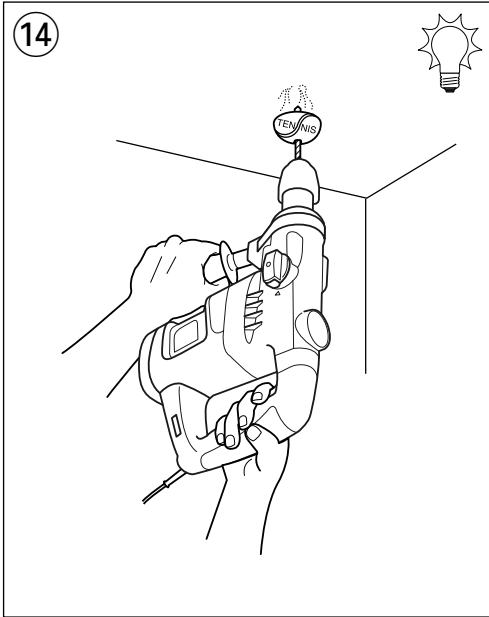


12



13





ACCESSORIES



WWW.SKIL.COM

## INTRODUCTION

- This tool is intended for hammer drilling in concrete, brick and stone as well as for light chiseling work; for drilling in wood, metal and plastic as well as for screwdriving specific accessories should be used
- The hammering system in this tool outperforms any traditional ratcheting drill when drilling in concrete
- This tool is designed for use in combination with all standard SDS+ accessories
- This tool is not intended for professional use
- Read and save this instruction manual ③

## TECHNICAL SPECIFICATIONS ①

- \* ) Impact energy per stroke according to EPTA-Procedure 05/2009 -> value not available yet

## TOOL ELEMENTS ②

- A Switch for on/off
- B Wheel for maximum speed control
- C Unlocking button
- D Switch for selecting operating mode
- E Second switch for selecting operating mode
- F Locking sleeve
- G Auxiliary handle
- H Ventilation slots
- J Depth gauge

## SAFETY

### GENERAL SAFETY INSTRUCTIONS

**⚠ WARNING! Read all safety warnings and all instructions.** Failure to follow the warnings and instructions may result in electric shock, fire and/or serious injury. **Save all warnings and instructions for future reference.** The term "power tool" in the warnings refers to your mains-operated (corded) power tool or battery-operated (cordless) power tool.

#### 1) WORK AREA SAFETY

- a) **Keep work area clean and well lit.** Cluttered or dark areas invite accidents.
- b) **Do not operate power tools in explosive atmospheres, such as in the presence of flammable liquids, gases or dust.** Power tools create sparks which may ignite the dust or fumes.
- c) **Keep children and bystanders away while operating a power tool.** Distractions can cause you to lose control.

#### 2) ELECTRICAL SAFETY

- a) **Power tool plugs must match the outlet. Never modify the plug in any way. Do not use any adapter plugs with earthed (grounded) power tools.** Unmodified plugs and matching outlets will reduce risk of electric shock.
- b) **Avoid body contact with earthed or grounded surfaces such as pipes, radiators, ranges and**

**refrigerators.** There is an increased risk of electric shock if your body is earthed or grounded.

- c) **Do not expose power tools to rain or wet conditions.** Water entering a power tool will increase the risk of electric shock.
- d) **Do not abuse the cord. Never use the cord for carrying, pulling or unplugging the power tool. Keep cord away from heat, oil, sharp edges or moving parts.** Damaged or entangled cords increase the risk of electric shock.
- e) **When operating a power tool outdoors, use an extension cord suitable for outdoor use.** Use of a cord suitable for outdoor use reduces the risk of electric shock.
- f) **If operating a power tool in a damp location is unavoidable, use an earth leakage circuit breaker.** Use of an earth leakage circuit breaker reduces the risk of electric shock.

#### 3) PERSONAL SAFETY

- a) **Stay alert, watch what you are doing and use common sense when operating a power tool. Do not use a power tool while you are tired or under the influence of drugs, alcohol or medication.** A moment of inattention while operating power tools may result in serious personal injury.
- b) **Use personal protective equipment. Always wear eye protection.** Protective equipment such as dust mask, non-skid safety shoes, hard hat, or hearing protection used for appropriate conditions will reduce personal injuries.
- c) **Prevent unintentional starting. Ensure the switch is in the off-position before connecting to power source and/or battery pack, picking up or carrying the tool.** Carrying power tools with your finger on the switch or energising power tools that have the switch on invites accidents.
- d) **Remove any adjusting key or wrench before turning the power tool on.** A wrench or a key left attached to a rotating part of the power tool may result in personal injury.
- e) **Do not overreach. Keep proper footing and balance at all times.** This enables better control of the power tool in unexpected situations.
- f) **Dress properly. Do not wear loose clothing or jewelry. Keep your hair, clothing and gloves away from moving parts.** Loose clothes, jewelry or long hair can be caught in moving parts.
- g) **If devices are provided for the connection of dust extraction and collection facilities, ensure these are connected and properly used.** Use of dust collection can reduce dust-related hazards.

#### 4) POWER TOOL USE AND CARE

- a) **Do not force the power tool. Use the correct power tool for your application.** The correct power tool will do the job better and safer at the rate for which it was designed.
- b) **Do not use the power tool if the switch does not turn it on and off.** Any power tool that cannot be controlled with the switch is dangerous and must be repaired.
- c) **Disconnect the plug from the power source and/or the battery pack from the power tool before making any adjustments, changing accessories, or storing**

**power tools.** Such preventive safety measures reduce the risk of starting the power tool accidentally.

- d) **Store idle power tools out of the reach of children and do not allow persons unfamiliar with the power tool or these instructions to operate the power tool.** Power tools are dangerous in the hands of untrained users.
- e) **Maintain power tools. Check for misalignment or binding of moving parts, breakage of parts and any other condition that may affect the power tool's operation. If damaged, have the power tool repaired before use.** Many accidents are caused by poorly maintained power tools.
- f) **Keep cutting tools sharp and clean.** Properly maintained cutting tools with sharp cutting edges are less likely to bind and are easier to control.
- g) **Use the power tool, accessories and tool bits etc., in accordance with these instructions, taking into account the working conditions and the work to be performed.** Use of the power tool for operations different from those intended could result in a hazardous situation.

## 5) SERVICE

- a) **Have your power tool serviced by a qualified repair person using only identical replacement parts.** This will ensure that the safety of the power tool is maintained.

## SAFETY INSTRUCTIONS FOR HAMMERS

- **Wear ear protectors** (exposure to noise can cause hearing loss)
- **Use auxiliary handle(s), if supplied with the tool** (loss of control can cause personal injury)
- Avoid damage that can be caused by screws, nails and other elements in your workpiece; remove them before you start working
- Always keep the cord away from moving parts of the tool
- **Secure the workpiece** (a workpiece clamped with clamping devices or in a vice is held more securely than by hand)
- When you put away the tool, switch off the motor and ensure that all moving parts have come to a complete standstill
- Use completely unrolled and safe extension cords with a capacity of 16 Amps (U.K. 13 Amps)
- In case of electrical or mechanical malfunction, immediately switch off the tool and disconnect the plug
- SKIL can assure flawless functioning of the tool only when original accessories are used
- Use only accessories with an allowable speed matching at least the highest no-load speed of the tool
- This tool should not be used by people under the age of 16 years
- **Use suitable detectors to find hidden utility lines or call the local utility company for assistance** (contact with electric lines can lead to fire or electrical shock; damaging a gas line can result in an explosion; penetrating a water pipe will cause property damage or an electrical shock)
- **Hold power tool by insulated gripping surfaces, when performing an operation where the cutting accessory may contact hidden wiring or its own cord** (a cutting accessory contacting a "live" wire may

make exposed metal parts of the power tool "live" and could give the operator an electric shock)

- **Do not work materials containing asbestos** (asbestos is considered carcinogenic)
  - Dust from material such as paint containing lead, some wood species, minerals and metal may be harmful (contact with or inhalation of the dust may cause allergic reactions and/or respiratory diseases to the operator or bystanders); **wear a dust mask and work with a dust extraction device when connectable**
  - Certain kinds of dust are classified as carcinogenic (such as oak and beech dust) especially in conjunction with additives for wood conditioning; **wear a dust mask and work with a dust extraction device when connectable**
  - Follow the dust-related national requirements for the materials you want to work with
  - If the cord is damaged or cut through while working, do not touch the cord, but immediately disconnect the plug
  - Never use the tool when cord is damaged; have it replaced by a qualified person
  - Always check that the supply voltage is the same as the voltage indicated on the nameplate of the tool (tools with a rating of 230V or 240V can also be connected to a 220V supply)
  - If the drill bit becomes unexpectedly jammed (causing a sudden, dangerous reaction), immediately switch off the tool
  - Be aware of the forces that occur as a result of jamming (especially when drilling metals); **always use auxiliary handle G** ② and take a secure stance
  - **Always disconnect plug from power source before making any adjustment or changing any accessory**
- WHEN CONNECTING NEW 3-PIN PLUG (U.K. ONLY):**
- Do not connect the blue (= neutral) or brown (= live) wire in the cord of this tool to the earth terminal of the plug
  - If for any reason the old plug is cut off the cord of this tool, it must be disposed of safely and not left unattended

## USE

- On/off ④
- Maximum speed control ⑤  
With wheel B the maximum speed can be adjusted from low to high (1-6)
- Selecting operating mode ⑥
  - ! **select operating mode only when tool is switched off and plug is disconnected**
  - press button C to unlock switch D
  - first turn switch D to the desired operating mode until it snap-locks
  - then turn switch E to the desired operating mode
    - 1 = normal drilling/screwdriving
    - 2 = impact drilling
    - 3 = chiseling
  - ! **start working only when switch D is locked**
  - for drilling in wood, metal and plastic as well as for screwdriving the corresponding adapter should be used (see: Application Advice)
  - the hammer mechanism is activated by applying a slight pressure on the tool when the drill bit is in contact with the workpiece



- it takes a short time for the hammer mechanism to reach full impact power
- do not apply too much pressure on the tool; let the tool do the work for you
- Changing bits ⑦
  - ! **clean and lightly lubricate the SDS+ accessory before insertion**
  - pull back locking sleeve F ② and insert accessory in SDS+ chuck while turning and pushing it until it engages; the accessory locks in position automatically
  - pull accessory to check that it is locked correctly
  - remove accessory by pulling back locking sleeve F
  - ! **the SDS+ accessory requires freedom of movement which causes eccentricity when tool is off-load; however, the accessory automatically centres itself during operation without affecting drilling precision**
  - ! **do not use bits/chisels with a damaged shank**
- Safety clutch
  - If the accessory gets jammed, the drive to the spindle is interrupted
    - immediately switch off tool
    - remove the jammed accessory
    - switch on tool again
- Adjusting drilling depth ⑧
- Holding and guiding the tool ⑨
  - ! **while working, always hold the tool at the grey-coloured grip area(s)**
  - **always use auxiliary handle G ②** (can be adjusted as illustrated)
  - keep ventilation slots H ② uncovered

## APPLICATION ADVICE

- Use the appropriate bits ⑩
  - ! **only use sharp bits/chisels**
- For drilling in wood, metal and plastic as well as for screwdriving use the corresponding adapter (SKIL accessory 2610395660) ⑪
  - clean and lightly lubricate adapter before insertion
  - pull back locking sleeve F ② and insert adapter in SDS+ chuck while turning and pushing it until it engages; the adapter locks in position automatically
  - pull adapter to check whether it is locked correctly
  - set switch D ② to normal drilling (**only activate when tool is switched off and plug is disconnected**)
- When drilling ferrous metals
  - pre-drill a smaller hole, when a large hole is required
  - lubricate drill bit occasionally with oil
- When turning in a screw at/near the cross cut end or an edge of wood, pre-drill a hole in order to avoid cracking of the wood
- Splinterfree drilling in wood ⑫
- Dustfree drilling in walls ⑬
- Dustfree drilling in ceilings ⑭
- Drilling in tiles without skidding ⑮
- For more tips see [www.skil.com](http://www.skil.com)

## MAINTENANCE / SERVICE

- This tool is not intended for professional use
- Never open the tool yourself ⑯

- Always keep tool and cord clean (especially ventilation slots H ②)
  - ! **disconnect the plug before cleaning**
- If the tool should fail despite the care taken in manufacturing and testing procedures, repair should be carried out by an after-sales service centre for SKIL power tools
  - send the tool **undismantled** together with proof of purchase to your dealer or the nearest SKIL service station (addresses as well as the service diagram of the tool are listed on [www.skil.com](http://www.skil.com))

## ENVIRONMENT

- **Do not dispose of electric tools, accessories and packaging together with household waste material** (only for EU countries)
  - in observance of European Directive 2012/19/EC on waste of electric and electronic equipment and its implementation in accordance with national law, electric tools that have reached the end of their life must be collected separately and returned to an environmentally compatible recycling facility
  - symbol ⑰ will remind you of this when the need for disposing occurs

## DECLARATION OF CONFORMITY CE

- We declare under our sole responsibility that this product is in conformity with the following standards or standardized documents: EN 60745, EN 61000, EN 55014, in accordance with the provisions of the directives 2004/108/EC, 2006/42/EC, 2011/65/EU
- **Technical file at:** SKIL Europe BV (PT-SEU/ENG1), 4825 BD Breda, NL

Marijn van der Hoofden  
Operations & Engineering

Olaf Dijkgraaf  
Approval Manager




SKIL Europe BV, 4825 BD Breda, NL

09.12.2013

## NOISE/VIBRATION

- Measured in accordance with EN 60745 the sound pressure level of this tool is 95 dB(A) and the sound power level 106 dB(A) (standard deviation: 3 dB), and the vibration \* (hand-arm method; uncertainty K = 1.5 m/s<sup>2</sup>)
  - \* when hammer drilling in concrete 17.0 m/s<sup>2</sup>
  - \* when chiseling 16.0 m/s<sup>2</sup>
- The vibration emission level has been measured in accordance with a standardised test given in EN 60745; it may be used to compare one tool with another and as a preliminary assessment of exposure to vibration when using the tool for the applications mentioned
  - using the tool for different applications, or with different or poorly maintained accessories, may significantly **increase** the exposure level
  - the times when the tool is switched off or when it is running but not actually doing the job, may significantly **reduce** the exposure level

! protect yourself against the effects of vibration by maintaining the tool and its accessories, keeping your hands warm, and organizing your work patterns

F

## Marteau perforateur

1766

### INTRODUCTION

- L'outil est conçu pour le perçage de percussion dans le béton, la brique et dans la pierre naturelle ainsi que pour d'autres travaux de burinage légers; pour le perçage dans le bois, le métal et les matières plastiques ainsi que pour le vissage il est nécessaire d'utiliser des accessoires spécifiques
- Le système de percussion de cet outil surpasse largement la performance des perceuses à percussion traditionnelles lorsqu'il est utilisé dans le béton
- Cet outil convient parfaitement pour une utilisation avec tous les accessoires SDS+ standards
- Cet outil n'est conçu pour un usage professionnel
- Lisez et conservez ce manuel d'instruction ③

### SPECIFICATIONS TECHNIQUES ①

\* ) Puissance de frappe individuelle suivant EPTA-  
Procédure 05/2009 -> valeur non disponible encore

### ELEMENTS DE L'OUTIL ②

- A Interrupteur pour mise en marche/arrêt
- B Molette de réglage de la vitesse maximum
- C Bouton de déblocage
- D Commutateur pour sélectionner le mode de fonctionnement
- E Commutateur secondaire pour sélectionner le mode de fonctionnement
- F Douille de verrouillage
- G Poignée auxiliaire
- H Fentes de ventilation
- J Jauge de profondeur

## SECURITE

### INSTRUCTIONS GENERALES DE SECURITE

**ATTENTION!** Lisez tous les avertissements de sécurité et toutes les instructions. Ne pas suivre les avertissements et instructions peut entraîner un choc électrique, un incendie et/ou de graves blessures sur les personnes. **Conservez tous les avertissements et toutes les instructions pour pouvoir s'y reporter ultérieurement.** La notion d'"outil électroportatif" dans les avertissements se rapporte à des outils électriques raccordés au secteur (avec câble de raccordement) et à des outils électriques à batterie (sans câble de raccordement).

#### 1) SECURITE DE LA ZONE DE TRAVAIL

- a) **Maintenez l'endroit de travail propre et bien éclairé.**  
Un lieu de travail en désordre ou mal éclairé augmente le risque d'accidents.

- b) **N'utilisez pas l'appareil dans un environnement présentant des risques d'explosion et où se trouvent des liquides, des gaz ou poussières inflammables.**

Les outils électroportatifs génèrent des étincelles risquant d'enflammer les poussières ou les vapeurs.

- c) **Tenez les enfants et autres personnes éloignés durant l'utilisation de l'outil électroportatif.** En cas d'inattention vous risquez de perdre le contrôle sur l'appareil.

#### 2) SECURITE RELATIVE AU SYSTEME ELECTRIQUE

- a) **La fiche de secteur de l'outil électroportatif doit être appropriée à la prise de courant. Ne modifiez en aucun cas la fiche. N'utilisez pas de fiches d'adaptateur avec des appareils avec mise à la terre.** Les fiches non modifiées et les prises de courant appropriées réduisent le risque de choc électrique.
- b) **Évitez le contact physique avec des surfaces mises à la terre telles que tuyaux, radiateurs, fours et réfrigérateurs.** Il y a un risque élevé de choc électrique au cas où votre corps serait relié à la terre.
- c) **N'exposez pas l'outil électroportatif à la pluie ou à l'humidité.** La pénétration d'eau dans un outil électroportatif augmente le risque d'un choc électrique.
- d) **N'utilisez pas le câble à d'autres fins que celles prévues, n'utilisez pas le câble pour porter l'appareil ou pour l'accrocher ou encore pour le débrancher de la prise de courant. Maintenez le câble éloigné des sources de chaleur, des parties grasses, des bords tranchants ou des parties de l'appareil en rotation.** Un câble endommagé ou torsadé augmente le risque d'un choc électrique.
- e) **Au cas où vous utiliseriez l'outil électroportatif à l'extérieur, utilisez une rallonge autorisée homologuée pour les applications extérieures.** L'utilisation d'une rallonge électrique homologuée pour les applications extérieures réduit le risque d'un choc électrique.
- f) **Si l'usage d'un outil dans un emplacement humide est inévitable, utilisez un disjoncteur de fuite à la terre.** L'utilisation d'un disjoncteur de fuite à la terre réduit le risque de choc électrique.

#### 3) SECURITE DES PERSONNES

- a) **Restez vigilant, surveillez ce que vous faites. Faites preuve de bon sens en utilisant l'outil électroportatif. N'utilisez pas l'appareil lorsque vous êtes fatigué ou après avoir consommé de l'alcool, des drogues ou avoir pris des médicaments.** Un moment d'inattention lors de l'utilisation de l'appareil peut entraîner de graves blessures sur les personnes.
- b) **Portez des équipements de protection. Portez toujours des lunettes de protection.** Le fait de porter des équipements de protection personnels tels que masque anti-poussières, chaussures de sécurité antidérapantes, casque de protection ou protection acoustique suivant le travail à effectuer, réduit le risque de blessures.
- c) **Évitez tout démarrage intempestif. S'assurez que l'interrupteur est en position arrêt avant de brancher l'outil au secteur et/ou au bloc de batteries, de le ramasser ou de le porter.** Porter les outils en ayant le doigt sur l'interrupteur ou brancher des outils dont

l'interrupteur est en position marche est source d'accidents.

- d) **Enlevez tout outil de réglage ou toute clé avant de mettre l'appareil en fonctionnement.** Une clé ou un outil se trouvant sur une partie en rotation peut causer des blessures.
- e) **Ne surestimez pas vos capacités. Veillez à garder toujours une position stable et équilibrée.** Ceci vous permet de mieux contrôler l'appareil dans des situations inattendues.
- f) **Portez des vêtements appropriés. Ne portez pas de vêtements amples ni de bijoux. Maintenez cheveux, vêtements et gants éloignés des parties de l'appareil en rotation.** Des vêtements amples, des bijoux ou des cheveux longs peuvent être happés par des pièces en mouvement.
- g) **Si des dispositifs servant à aspirer ou à recueillir les poussières doivent être utilisés, vérifiez que ceux-ci soient effectivement raccordés et qu'ils sont correctement utilisés.** L'utilisation des collecteurs de poussière réduit les dangers dus aux poussières.
- 4) **UTILISATION ET EMPLOI SOIGNEUX DE L'OUTIL ELECTROPORTATIF**
  - a) **Ne surchargez pas l'appareil. Utilisez l'outil électroportatif approprié au travail à effectuer.** Avec l'outil électroportatif approprié, vous travaillerez mieux et avec plus de sécurité à la vitesse pour laquelle il est prévu.
  - b) **N'utilisez pas un outil électroportatif dont l'interrupteur est défectueux.** Un outil électroportatif qui ne peut plus être mis en ou hors fonctionnement est dangereux et doit être réparé.
  - c) **Débranchez la fiche de la source d'alimentation en courant et/ou le bloc de batteries de l'outil avant tout réglage, changement d'accessoires ou avant de ranger l'outil.** Cette mesure de précaution empêche une mise en fonctionnement par mégarde.
  - d) **Gardez les outils électroportatifs non utilisés hors de portée des enfants. Ne permettez pas l'utilisation de l'appareil à des personnes qui ne se sont pas familiarisées avec celui-ci ou qui n'ont pas lu ces instructions.** Les outils électroportatifs sont dangereux lorsqu'ils sont utilisés par des personnes non initiées.
  - e) **Prenez soin des outils électroportatifs. Vérifiez que les parties en mouvement fonctionnent correctement et qu'elles ne soient pas coincées, et contrôlez si des parties sont cassées ou endommagées de telle sorte que le bon fonctionnement de l'appareil s'en trouve entravé. Faites réparer les parties endommagées avant d'utiliser l'appareil.** De nombreux accidents sont dus à des outils électroportatifs mal entretenus.
  - f) **Maintenez les outils de coupe aiguisés et propres.** Des outils soigneusement entretenus avec des bords tranchants bien aiguisés se coincent moins souvent et peuvent être guidés plus facilement.
  - g) **Utilisez les outils électroportatifs, les accessoires, les outils à monter etc. conformément à ces instructions. Tenez compte également des conditions de travail et du travail à effectuer.** L'utilisation des outils électroportatifs à d'autres fins que

celles prévues peut entraîner des situations dangereuses.

## 5) SERVICE

- a) **Ne faites réparer votre outil électroportatif que par un personnel qualifié et seulement avec des pièces de rechange d'origine.** Ceci permet d'assurer la sécurité de l'appareil.

## INSTRUCTIONS DE SECURITE POUR PERFORATEURS

- **Portez des protections auditives** (l'exposition aux bruits peut provoquer une perte de l'audition)
- **Utilisez la(les) poignée(s) auxiliaire(s) fournie(s) avec l'outil** (la perte de contrôle peut provoquer des blessures)
- Faites attention aux vis, clous ou autres éléments qui pourraient se trouver dans la pièce à travailler et qui risqueraient d'endommager très fortement votre outil; enlevez-les avant de commencer le travail
- Tenez toujours le câble éloigné des parties mobiles de l'outil
- **Fixez solidement la pièce à travailler** (une pièce fixée à l'aide de dispositifs de fixation est davantage assurée que si elle était tenue à la main)
- Lorsque vous rangez votre outil, le moteur doit être coupé et les pièces mobiles complètement arrêtées
- Utilisez un câble de prolongement complètement déroulé et de bonne qualité d'une capacité de 16 A
- En cas de dysfonctionnement électrique ou mécanique, mettez directement l'outil hors service et débranchez la fiche
- SKIL ne peut se porter garant du bon fonctionnement de cet outil que s'il a été utilisé avec les accessoires d'origine
- La vitesse admissible des accessoires utilisées doit être au moins aussi élevée que la vitesse à vide maximale de l'outil
- Cet outil ne doit pas être utilisé par des personnes de moins de 16 ans
- **Utilisez des détecteurs appropriés afin de localiser la présence de conduites électriques ou bien s'adresser à la société locale de distribution** (un contact avec des lignes électriques peut provoquer un incendie et une décharge électrique; le fait d'endommager une conduite de gaz peut entraîner une explosion; le fait d'endommager une conduite d'eau peut entraîner des dégâts matériels ou causer une décharge électrique)
- **Tenez l'outil par les surfaces de préhension isolées, lors de la réalisation d'une opération au cours de laquelle l'accessoire de coupe peut entrer en contact avec un câblage non apparent ou son propre câble d'alimentation** (le contact avec un fil sous tension peut également mettre sous tension les parties métalliques de l'outil électrique et provoquer un choc électrique sur l'opérateur)
- **Ne travaillez pas de matériaux contenant de l'amiante** (l'amiante est considérée comme étant cancérigène)
- La poussière de matériaux, tels que la peinture contenant du plomb, certaines espèces de bois, certains minéraux et différents métaux, peut être nocive (le contact avec la poussière ou son inhalation peut provoquer des réactions

allergiques et/ou des maladies respiratoires chez l'opérateur ou des personnes se trouvant à proximité);

**portez un masque antipoussières et travaillez avec un appareil de dépeussierage lorsqu'il est possible d'en connecter un**

- Certains types de poussières sont classifiés comme étant cancérigènes (tels que la poussière de chêne ou de hêtre), en particulier en combinaison avec des additifs de traitement du bois; **portez un masque antipoussières et travaillez avec un appareil de dépeussierage lorsqu'il est possible d'en connecter un**
- Suivez les directives nationales relatives au dépeussierage pour les matériaux à travailler
- Si le câble est endommagé ou rompu pendant le travail, n'y touchez pas, mais débranchez immédiatement la prise
- N'utilisez jamais d'outil avec un câble endommagé; faites-le remplacer par un technicien qualifié
- Contrôlez toujours si la tension secteur correspond à la tension indiquée sur la plaquette signalétique de l'outil (les outils conçus pour une tension de 230V ou 240V peuvent également être branchés sur 220V)
- En cas de blocage de la mèche (générant une contre-réaction violente et dangereuse), éteignez immédiatement l'outil
- Assurez-vous des forces en jeu consécutives au blocage (spécialement durant le perçage des métaux); **utilisez toujours la poignée auxiliaire G ②** et adoptez une position de travail stable et sûre
- **Débranchez toujours l'outil avant tout réglage ou changement d'accessoire**

## UTILISATION

- Marche/arrêt ④
- Réglage de la vitesse maximum ⑤  
La molette B vous permet de régler la vitesse maximum de lente à rapide (1-6)
- Sélection du mode de fonctionnement ⑥  
**! sélectionnez le mode de fonctionnement uniquement lorsque l'outil n'est pas sous tension et la fiche est débranchée**
  - appuyez sur le bouton C pour débloquer le commutateur D
  - sélectionnez d'abord le mode de fonctionnement de votre choix en tournant le commutateur D jusqu'à ce qu'il se bloque
  - sélectionnez ensuite le mode de fonctionnement de votre choix en tournant le commutateur E
    - 1 = perçage normal/vissage
    - 2 = perçage de percussion
    - 3 = ciselage**! ne commencez à travailler que lorsque le commutateur D est bloqué**
  - pour le perçage dans le bois, le métal et les matières plastiques ainsi que pour le vissage il est nécessaire d'utiliser l'adaptateur correspondant (voir: Conseils d'utilisation)
  - le mécanisme de percussion est déclenché par une légère pression sur l'outil lorsque la mèche est en contact avec le matériau à travailler
  - après peu de temps, le mécanisme de percussion se met à fonctionner à plein régime

- ne pas appuyez trop fortement sur l'outil; laissez l'outil travailler pour vous
- Changement des embouts ⑦  
**! nettoyez l'accessoire SDS+ avant l'emploi et le graissez légèrement**
  - tirez sur la douille de verrouillage F ② et insérez l'accessoire dans le mandrin SDS+ tout en l'enfonçant en tournant jusqu'à ce qu'il s'enclanche; l'accessoire se bloque de lui-même
  - tirez sur l'accessoire pour contrôler qu'il est bien bloqué
  - retirez l'accessoire en tirant sur la douille de verrouillage F**! l'accessoire SDS+ doit rester mobile ce qui entraîne un effet visuel excentrique lorsque l'outil est en marche; cependant, le centrage de l'accessoire se fait automatiquement durant l'opération sans que la précision du perçage ne soit affectée**  
**! ne pas utiliser des embouts/ciseaux avec une queue endommagée**
- Embrayage de sécurité  
En cas de blocage de l'accessoire, l'entraînement de l'arbre est interrompu
  - débranchez immédiatement l'outil
  - retirez l'accessoire bloqué
  - remettez en marche l'outil
- Réglage de la profondeur de perçage ⑧
- Tenue et guidage de l'outil ⑨  
**! lorsque vous travaillez, tenez toujours l'outil par la(les) zone(s) de couleur grise**
  - **utilisez toujours la poignée auxiliaire G ②** (peut être réglée comme illustré)
  - veillez à ce que les fentes de ventilation H ② soient découvertes

## CONSEILS D'UTILISATION

- Utilisez les embouts appropriés ⑩  
**! utilisez seulement des embouts/ciseaux bien affûtés**
- Pour le perçage dans le bois, le métal et les matières plastiques ainsi que pour le vissage utilisez l'adaptateur correspondant (SKIL accessoire 2610395660) ⑪
  - nettoyez l'adaptateur avant l'emploi et le graissez légèrement
  - tirez sur la douille de verrouillage F ② et insérez l'adaptateur dans le mandrin SDS+ tout en l'enfonçant en tournant jusqu'à ce qu'il s'enclanche; l'adaptateur se bloque de lui-même
  - tirez sur l'adaptateur pour contrôler qu'il est bien bloqué
  - sélectionnez la fonction perçage normal avec l'interrupteur D ② (**uniquement lorsque l'outil n'est pas sous tension et la fiche est débranchée**)
- Quand vous percez des métaux ferreux
  - pour faire un gros trou, faites un avant-trou plus petit
  - lubrifiez le foret de temps en temps
- Quand vous devez visser une vis près d'une arête de bois ou à la fin d'une coupe transversale, il est préférable de faire un avant-trou afin d'éviter de faire craquer le bois
- Perçage sans éclat en bois ⑫
- Perçage sans poussières dans les murs ⑬

- Perçage sans poussières dans les plafonds ⑭
- Perçage des carreaux sans glisser ⑮
- Pour des suggestions complémentaires voyez [www.skil.com](http://www.skil.com)

## ENTRETIEN / SERVICE APRES-VENTE

- Cet outil n'est pas conçu pour un usage professionnel
- N'ouvrez jamais l'outil vous-même ⑯
- Gardez toujours votre outil et le câble propres (spécialement les aérations H ⑳)
- ! **débranchez la fiche avant le nettoyage**
- Si, malgré tous les soins apportés à la fabrication et au contrôle de l'outil, celui ci devait avoir un défaut, la réparation ne doit être confiée qu'à une station de service après-vente agréée pour outillage SKIL
  - retournez l'outil **non démonté** avec votre preuve d'achat au revendeur ou au centre de service après-vente SKIL le plus proche (les adresses ainsi que la vue éclatée de l'outil figurent sur [www.skil.com](http://www.skil.com))

## ENVIRONNEMENT

- **Ne jetez pas les outils électriques, les accessoires et l'emballage dans les ordures ménagères** (pour les pays européens uniquement)
  - conformément à la directive européenne 2012/19/EG relative aux déchets d'équipements électriques ou électroniques, et à sa transposition dans la législation nationale, les outils électriques usés doivent être collectés séparément et faire l'objet d'un recyclage respectueux de l'environnement
  - le symbole ⑰ vous le rappellera au moment de la mise au rebut de l'outil

## DÉCLARATION DE CONFORMITE CE

- Nous déclarons sous notre propre responsabilité que ce produit est en conformité avec les normes ou documents normalisés suivants: EN 60745, EN 61000, EN 55014, conforme aux réglementations 2004/108/CE, 2006/42/CE, 2011/65/UE
- **Dossier technique auprès de:** SKIL Europe BV (PT-SEU/ENG1), 4825 BD Breda, NL

Marijn van der Hoofden  
Operations & Engineering

Olaf Dijkgraaf  
Approval Manager




SKIL Europe BV, 4825 BD Breda, NL

09.12.2013

## BRUIT/VIBRATION

- Mesuré selon EN 60745 le niveau de la pression sonore de cet outil est 95 dB(A) et le niveau de la puissance sonore 106 dB(A) (déviation standard: 3 dB), et la vibration \* (méthode main-bras; incertitude K = 1,5 m/s<sup>2</sup>)
  - \* pendant le perçage de percussion du béton 17,0 m/s<sup>2</sup>
  - \* pendant le burinage 16,0 m/s<sup>2</sup>
- Le niveau de vibrations émises a été mesuré conformément à l'essai normalisé de la norme EN 60745;

il peut être utilisé pour comparer plusieurs outils et pour réaliser une évaluation préliminaire de l'exposition aux vibrations lors de l'utilisation de l'outil pour les applications mentionnées

- l'utilisation de l'outil dans d'autres applications, ou avec des accessoires différents ou mal entretenus, peut considérablement **augmenter** le niveau d'exposition
- la mise hors tension de l'outil et sa non-utilisation pendant qu'il est allumé peuvent considérablement **réduire** le niveau d'exposition

! **protégez-vous contre les effets des vibrations par un entretien correct de l'outil et de ses accessoires, en gardant vos mains chaudes et en structurant vos schémas de travail**

D

## Bohrhammer

1766

## INLEITUNG

- Das Werkzeug ist bestimmt zum Schlagbohren in Beton, Ziegel und Stein sowie für leichte Meißelarbeiten; zum Bohren in Holz, Metall und Kunststoff sowie für Schraubarbeiten sollte spezifisches Zubehör verwendet werden
- Das Schlagbohr-System bei diesem Werkzeug übertrifft bei weitem alle Schlagbohrmaschinen beim Bohren in Beton
- Dieses Werkzeug erlaubt den Gebrauch jedes normalen SDS+ Zubehörs
- Dieses Werkzeug eignet sich nicht für den professionellen Einsatz
- Bitte diese Bedienungsanleitung sorgfältig lesen und aufbewahren ③

## TECHNISCHE DATEN ①

- \* ) Einzelschlagstärke entsprechend EPTA-Procedure 05/2009 -> Wert noch nicht verfügbar

## WERKZEUGKOMPONENTEN ②

- A Schalter zum Ein-Aus-Schalten
- B Rad zur Maximalgeschwindigkeits-Kontrolle
- C Entriegelungstaste
- D Schalter zum Wählen der Betriebsart
- E Zweiter Schalter zum Wählen der Betriebsart
- F Verriegelungshülse
- G Zusatzgriff
- H Lüftungsschlitze
- J Tiefenanschlag

## SICHERHEIT

### ALLGEMEINE SICHERHEITSHINWEISE

**⚠ ACHTUNG! Lesen Sie alle Sicherheitshinweise und Anweisungen.** Versäumnisse bei der Einhaltung der Sicherheitshinweise und Anweisungen können elektrischen Schlag, Brand und/oder schwere Verletzungen verursachen. **Bewahren Sie alle Sicherheitshinweise**

**und Anweisungen für die Zukunft auf.** Der in den Sicherheitshinweisen verwendete Begriff "Elektrowerkzeug" bezieht sich auf netzbetriebene Elektrowerkzeuge (mit Netzkabel) und auf akkubetriebene Elektrowerkzeuge (ohne Netzkabel).

### 1) ARBEITSPLATZSICHERHEIT

- a) **Halten Sie Ihren Arbeitsbereich sauber und gut beleuchtet.** Unordnung oder unbeleuchtete Arbeitsbereiche können zu Unfällen führen.
- b) **Arbeiten Sie mit dem Gerät nicht in explosionsgefährdeter Umgebung, in der sich brennbare Flüssigkeiten, Gase oder Stäube befinden.** Elektrowerkzeuge erzeugen Funken, die den Staub oder die Dämpfe entzünden können.
- c) **Halten Sie Kinder und andere Personen während der Benutzung des Elektrowerkzeugs fern.** Bei Ablenkung können Sie die Kontrolle über das Gerät verlieren.

### 2) ELEKTRISCHE SICHERHEIT

- a) **Der Anschlussstecker des Gerätes muss in die Steckdose passen. Der Stecker darf in keiner Weise verändert werden. Verwenden Sie keine Adapterstecker gemeinsam mit geschützten Geräten.** Unveränderte Stecker und passende Steckdosen verringern das Risiko eines elektrischen Schlages.
- b) **Vermeiden Sie Körperkontakt mit geerdeten Oberflächen, wie von Rohren, Heizungen, Herden und Kühlschränken.** Es besteht ein erhöhtes Risiko durch elektrischen Schlag, wenn Ihr Körper geerdet ist.
- c) **Halten Sie das Gerät von Regen oder Nässe fern.** Das Eindringen von Wasser in ein Elektrogerät erhöht das Risiko eines elektrischen Schlages.
- d) **Zweckentfremden Sie das Kabel nicht, um das Gerät zu tragen, aufzuhängen oder um den Stecker aus der Steckdose zu ziehen. Halten Sie das Kabel fern von Hitze, Öl, scharfen Kanten oder sich bewegenden Geräteteilen.** Beschädigte oder verwickelte Kabel erhöhen das Risiko eines elektrischen Schlages.
- e) **Wenn Sie mit einem Elektrowerkzeug im Freien arbeiten, verwenden Sie nur Verlängerungskabel, die auch für den Außenbereich zugelassen sind.** Die Anwendung eines für den Außenbereich geeigneten Verlängerungskabels verringert das Risiko eines elektrischen Schlages.
- f) **Wenn der Betrieb des Elektrowerkzeuges in feuchter Umgebung nicht vermeidbar ist, verwenden Sie einen Fehlerstromschutzschalter.** Der Einsatz eines Fehlerstromschutzschalters vermindert das Risiko eines elektrischen Schlages.

### 3) SICHERHEIT VON PERSONEN

- a) **Seien Sie aufmerksam, achten Sie darauf, was Sie tun, und gehen Sie mit Vernunft an die Arbeit mit einem Elektrowerkzeug. Benutzen Sie das Gerät nicht, wenn Sie müde sind oder unter dem Einfluss von Drogen, Alkohol oder Medikamenten stehen.** Ein Moment der Unachtsamkeit beim Gebrauch des Gerätes kann zu ernsthaften Verletzungen führen.
- b) **Tragen Sie persönliche Schutzausrüstung und immer eine Schutzbrille.** Das Tragen persönlicher

Schutzausrüstung, wie Staubmaske, rutschfeste Sicherheitsschuhe, Schutzhelm oder Gehörschutz, je nach Art und Einsatz des Elektrowerkzeuges, verringert das Risiko von Verletzungen.

- c) **Vermeiden Sie eine unbeabsichtigte Inbetriebnahme. Vergewissern Sie sich, dass das Elektrowerkzeug ausgeschaltet ist, bevor Sie es an die Stromversorgung und/oder den Akku anschließen, es aufnehmen oder tragen.** Wenn Sie beim Tragen des Elektrowerkzeuges den Finger am Schalter haben oder das Gerät eingeschaltet an die Stromversorgung anschließen, kann dies zu Unfällen führen.
  - d) **Entfernen Sie Einstellwerkzeuge oder Schraubenschlüssel, bevor Sie das Gerät einschalten.** Ein Werkzeug oder Schlüssel, der sich in einem drehenden Geräteteil befindet, kann zu Verletzungen führen.
  - e) **Überschätzen Sie sich nicht. Sorgen Sie für einen sicheren Stand und halten Sie jederzeit das Gleichgewicht.** Dadurch können Sie das Gerät in unerwarteten Situationen besser kontrollieren.
  - f) **Tragen Sie geeignete Kleidung. Tragen Sie keine weite Kleidung oder Schmuck. Halten Sie Haare, Kleidung und Handschuhe fern von sich bewegenden Teilen.** Lockere Kleidung, Schmuck oder lange Haare können von sich bewegenden Teilen erfasst werden.
  - g) **Wenn Staubabsaug- und -auffangeinrichtungen montiert werden können, vergewissern Sie sich, dass diese angeschlossen sind und richtig verwendet werden.** Verwendung einer Staubabsaugung verringert Gefährdungen durch Staub.
- ### 4) SORGFÄLTIGER UMGANG UND GEBRAUCH VON ELEKTROWERKZEUGEN
- a) **Überlasten Sie das Gerät nicht. Verwenden Sie für Ihre Arbeit das dafür bestimmte Elektrowerkzeug.** Mit dem passenden Elektrowerkzeug arbeiten Sie besser und sicherer im angegebenen Leistungsbereich.
  - b) **Benutzen Sie kein Elektrowerkzeug, dessen Schalter defekt ist.** Ein Elektrowerkzeug, das sich nicht mehr ein- oder ausschalten lässt, ist gefährlich und muss repariert werden.
  - c) **Ziehen Sie den Stecker aus der Steckdose und/oder entfernen Sie den Akku, bevor Sie Geräteeinstellungen vornehmen, Zubehörteile wechseln oder das Gerät weglegen.** Diese Vorsichtsmaßnahme verhindert den unbeabsichtigten Start des Geräts.
  - d) **Bewahren Sie unbenutzte Elektrowerkzeuge außerhalb der Reichweite von Kindern auf. Lassen Sie Personen das Gerät nicht benutzen, die mit diesem nicht vertraut sind oder diese Anweisungen nicht gelesen haben.** Elektrowerkzeuge sind gefährlich, wenn Sie von unerfahrenen Personen benutzt werden.
  - e) **Pflegen Sie das Gerät mit Sorgfalt. Kontrollieren Sie, ob bewegliche Geräteteile einwandfrei funktionieren und nicht klemmen, ob Teile gebrochen oder so beschädigt sind, dass die Funktion des Gerätes beeinträchtigt ist. Lassen Sie beschädigte Teile vor dem Einsatz des Geräts reparieren.** Viele Unfälle

haben ihre Ursache in schlecht gewarteten Elektrowerkzeugen.

f) **Halten Sie Schneidwerkzeuge scharf und sauber.**

Sorgfältig gepflegte Schneidwerkzeuge mit scharfen Schneidkanten verklammern sich weniger und sind leichter zu führen.

g) **Verwenden Sie Elektrowerkzeug, Zubehör, Einsatzwerkzeuge usw. entsprechend diesen Anweisungen. Berücksichtigen Sie dabei die Arbeitsbedingungen und die auszuführende Tätigkeit.**

Der Gebrauch von Elektrowerkzeugen für andere als die vorgesehenen Anwendungen kann zu gefährlichen Situationen führen.

5) SERVICE

a) **Lassen Sie Ihr Gerät nur von qualifiziertem Fachpersonal und nur mit Original-Ersatzteilen reparieren.** Damit wird sichergestellt, dass die Sicherheit des Geräts erhalten bleibt.

## SICHERHEITSHINWEISE FÜR BOHRHAMMER

- **Tragen Sie Gehörschutz** (die Einwirkung von Lärm kann Gehörverlust bewirken)
- **Benutzen Sie mit dem Werkzeug gelieferte Zusatzhandgriffe** (der Verlust der Kontrolle kann zu Verletzungen führen)
- Beschädigungen durch Schrauben, Nägel und ähnliches an Ihrem Werkstück vermeiden; diese vor Arbeitsbeginn entfernen
- Das Kabel immer von umlaufenden Teilen des Werkzeuges fernhalten
- **Sichern Sie das Werkstück** (ein mit Spannvorrichtungen oder Schraubstock festgehaltenes Werkstück ist sicherer gehalten als mit der Hand)
- Sobald Sie sich von Ihrem Werkzeug entfernen, sollte dieses ausgeschaltet werden und die sich bewegenden Teile vollkommen zum Stillstand gekommen sein
- Bei Benutzung von Verlängerungskabeln ist darauf zu achten, daß das Kabel vollständig abgerollt ist und eine Kapazität von 16 A hat
- Bei elektrischer oder mechanischer Fehlfunktion das Werkzeug sofort ausschalten und den Netzstecker ziehen
- SKIL kann nur dann die einwandfreie Funktion des Werkzeuges zusichern, wenn Original-Zubehör verwendet wird
- Nur Zubehör verwenden, dessen zulässige Drehzahl mindestens so hoch ist wie die höchste Leerlaufdrehzahl des Werkzeuges
- Der Benutzer dieses Werkzeuges sollte älter als 16 Jahre sein
- **Verwenden Sie geeignete Suchgeräte, um verborgene Versorgungsleitungen aufzuspüren, oder ziehen Sie die örtliche Versorgungsgesellschaft hinzu** (Kontakt mit Elektroleitungen kann zu Feuer und elektrischem Schlag führen; Beschädigung einer Gasleitung kann zur Explosion führen; Eindringen in eine Wasserleitung verursacht Sachbeschädigung oder kann einen elektrischen Schlag verursachen)
- **Halten Sie das Elektrowerkzeug an den isolierten Griffflächen, wenn Sie Arbeiten ausführen, bei denen das Einsatzwerkzeug verborgene Stromleitungen**

**oder das eigene Netzkabel treffen kann** (der Kontakt mit einer spannungsführenden Leitung kann auch Metallteile des Elektrowerkzeuges unter Spannung setzen und zu einem elektrischen Schlag führen)

- **Bearbeiten Sie kein asbesthaltiges Material** (Asbest gilt als krebserregend)
- Staub von Materialien wie Farbe, die Blei enthält, einigen Holzarten, Mineralien und Metall kann schädlich sein (Kontakt mit oder Einatmen des Staubs kann zu allergischen Reaktionen und/oder Atemwegskrankheiten beim Bediener oder Umstehenden führen); **tragen Sie eine Staubmaske und arbeiten Sie mit einem Staubabsaugungssystem, wenn ein solches angeschlossen werden kann**
- Bestimmte Arten von Staub sind als karzinogen klassifiziert (beispielsweise Eichen- und Buchenholzstaub), insbesondere in Verbindung mit Zusätzen für die Holzvorbehandlung; **tragen Sie eine Staubmaske und arbeiten Sie mit einem Staubabsaugungssystem, wenn ein solches angeschlossen werden kann**
- Beachten Sie die für Ihr verwendetes Verbrauchsmaterial gültigen nationalen Staubschutzvorgaben
- Wird bei der Arbeit das Kabel beschädigt oder durchtrennt, Kabel nicht berühren, sondern sofort den Netzstecker ziehen
- Werkzeug nicht weiter verwenden, wenn das Kabel beschädigt ist; lassen Sie dieses von einem anerkannten Elektrofachmann ersetzen
- Stets nachprüfen, daß die Netzspannung mit der auf dem Typenschild des Werkzeuges angegebenen Spannung übereinstimmt (mit 230V oder 240V beschriftete Werkzeuge können auch an 220V betrieben werden)
- Im Falle des unerwarteten Blockierens des Bohrers (mit einer ruckartigen gefährlichen Reaktion), das Werkzeug sofort ausschalten
- Beachten Sie die auftretenden Kräfte beim Blockieren (besonders beim Bohren in Metall); **das Werkzeug immer am Seitengriff G 2 festhalten** und einen sicheren Stand einnehmen
- **Ziehen Sie grundsätzlich den Netzstecker, bevor Sie beliebige Änderungen an den Einstellungen oder einen Zubehöerwechsel vornehmen**

## BEDIENUNG

- Ein-/Aus-Schalten ④
- Maximalgeschwindigkeits-Kontrolle ⑤  
Mit dem Rad B wird die Maximalgeschwindigkeit von niedrig bis hoch eingestellt (1-6)
- Wählen der Betriebsart ⑥  
! **Betriebsart nur wählen wenn das Werkzeug ausgeschaltet und der Netzstecker gezogen ist**
  - Taste C drücken um Schalter D zu entriegeln
  - zuerst Schalter D in die gewünschte Betriebsart drehen, bis er einrastet
  - anschließend Schalter E in die gewünschte Betriebsart drehen
    - 1 = normales Bohren/Schrauben
    - 2 = Bohrhämmern
    - 3 = Meißeln
- ! **nur mit der Arbeit anfangen, wenn Schalter D verriegelt ist**

- zum Bohren in Holz, Metall und Kunststoff sowie zum Schrauben benötigen Sie den zugehörigen Adapter (siehe: Anwendungshinweise)
- der Schlagbohr-Mechanismus wird durch einen leichten Druck auf das Werkzeug eingeschaltet, wenn der Bohrer in Kontakt mit dem Werkstück kommt
- es dauert ein wenig, bis der Schlagbohr-Mechanismus die volle Schlagkraft entwickelt
- nicht zu viel Druck auf das Werkzeug ausüben; lassen Sie das Werkzeug für Sie arbeiten
- Wechseln von Bits ⑦
- ! **SDS+ Zubehör vor Einsetzen reinigen und leicht fetten**
- Verriegelungshülse F ② zurückziehen und das Zubehör in das SDS+ Bohrfutter drehend und hineinschiebend bis zum Einrasten einführen; das Zubehör verriegelt sich selbsttätig
- Verriegelung durch Ziehen am Zubehör prüfen
- Zubehör entfernen durch Zurückziehen der Verriegelungshülse F
- ! **das SDS+ Zubehör muß frei beweglich sein, wodurch beim Leerlauf eine Rundlaufabweichung entsteht, die sich beim Bohren selbsttätig zentriert; dies hat keine Auswirkungen auf die Genauigkeit des Bohrlochs**
- ! **keine Bits/Meißel mit beschädigtem Schaft benutzen**
- Sicherheitskupplung  
Blockiert das Zubehör, wird der Antrieb zur Spindel unterbrochen
- das Werkzeug sofort abschalten
- blockiertes Zubehör entfernen
- das Werkzeug wieder anschalten
- Einstellen der Bohrtiefe ⑧
- Halten und Führen des Werkzeuges ⑨
- ! **Werkzeug beim Arbeiten immer am grauen Griffbereich fassen**
- **das Werkzeug immer am Seitengriff G ② festhalten** (kann laut Darstellung geregelt werden)
- Lüftungsschlitze H ② unbedeckt halten

## ANWENDUNGSHINWEISE

- Die entsprechenden Bits verwenden ⑩
- ! **nur scharfe Bits/Meißel benutzen**
- Zum Bohren in Holz, Metall und Kunststoff sowie zum Schrauben den zugehörigen Adapter (SKIL Zubehör 2610395660) verwenden ⑪
- Adapter vor Einsetzen reinigen und leicht fetten
- Verriegelungshülse F ② zurückziehen und Adapter in das SDS+ Bohrfutter drehend und hineinschiebend bis zum Einrasten einführen; der Adapter verriegelt sich selbsttätig
- Verriegelung durch Ziehen am Adapter prüfen
- Schalter D ② auf Normalbohren stellen (**nur betätigen wenn das Werkzeug ausgeschaltet und der Netzstecker gezogen ist**)
- Beim Bohren in Metall
- kleines Loch vorbohren wenn ein größeres Loch benötigt ist
- Bits gelegentlich mit Öl einfetten
- Beim Eindrehen einer Schraube am Ende oder Kopfstück eines Holzes sollte ein Loch vorgebohrt werden um ein Spalten des Holzes zu vermeiden

- Splitterfreies Bohren in Holz ⑫
- Staubfreies Bohren in Mauern ⑬
- Staubfreies Bohren in Decken ⑭
- Bohren in Fliesen ohne auszurutschen ⑮
- Für mehr Tips siehe [www.skil.com](http://www.skil.com)

## WARTUNG / SERVICE

- Dieses Werkzeug eignet sich nicht für den professionellen Einsatz
- Das Werkzeug niemals selbst öffnen ⑯
- Halten Sie Werkzeug und Kabel immer sauber (insbesondere die Lüftungsschlitze H ②)
- ! **Netzstecker vor dem Säubern ziehen**
- Sollte das Elektrowerkzeug trotz sorgfältiger Herstellungs- und Prüfverfahren einmal ausfallen, ist die Reparatur von einer autorisierten Kundendienststelle für SKIL-Elektrowerkzeuge ausführen zu lassen
  - das Werkzeug **unzerlegt**, zusammen mit dem Kaufbeleg, an den Lieferer oder die nächste SKIL-Vertragswerkstätte senden (die Anschriften so wie die Ersatzteilzeichnung des Werkzeuges finden Sie unter [www.skil.com](http://www.skil.com))

## UMWELT

- **Elektrowerkzeuge, Zubehör und Verpackungen nicht in den Hausmüll werfen** (nur für EU-Länder)
  - gemäss Europäischer Richtlinie 2012/19/EG über Elektro- und Elektronik- Altgeräte und Umsetzung in nationales Recht müssen nicht mehr gebrauchsfähige Elektrowerkzeuge getrennt gesammelt und einer umweltgerechten Wiederverwertung zugeführt werden
  - hieran soll Sie Symbol ⑰ erinnern

## KONFORMITÄTSERKLÄRUNG CE

- Wir erklären in alleiniger Verantwortung, daß dieses Produkt mit den folgenden Normen oder normativen Dokumenten übereinstimmt: EN 60745, EN 61000, EN 55014, gemäß den Bestimmungen der Richtlinien 2004/108/EG, 2006/42/EG, 2011/65/EU
- **Technische Unterlagen bei:** SKIL Europe BV (PT-SEU/ENG1), 4825 BD Breda, NL

Marijn van der Hoofden  
Operations & Engineering

Olaf Dijkgraaf  
Approval Manager




SKIL Europe BV, 4825 BD Breda, NL

09.12.2013

## GERÄUSCH/VIBRATION

- Gemessen gemäß EN 60745 beträgt der Schalldruckpegel dieses Gerätes 95 dB(A) und der Schalleistungspegel 106 dB(A) (Standardabweichung: 3 dB), und die Vibration \* (Hand-Arm Methode; Unsicherheit K = 1,5 m/s<sup>2</sup>)
  - \* beim Schlagbohren in Beton 17,0 m/s<sup>2</sup>
  - \* beim Meißeln 16,0 m/s<sup>2</sup>



- Die Vibrationsemissionsstufte wurde mit einem standardisierten Test gemäß EN 60745 gemessen; Sie kann verwendet werden, um ein Werkzeug mit einem anderen zu vergleichen und als vorläufige Beurteilung der Vibrationsexposition bei Verwendung des Werkzeugs für die angegebenen Anwendungszwecke
  - die Verwendung des Werkzeugs für andere Anwendungen oder mit anderem oder schlecht gewartetem Zubehör kann die Expositionsstufe erheblich **erhöhen**
  - Zeiten, zu denen das Werkzeug ausgeschaltet ist, oder wenn es läuft aber eigentlich nicht eingesetzt wird, können die Expositionsstufe erheblich **verringern**
- ! **schützen Sie sich vor den Auswirkungen der Vibration durch Wartung des Werkzeugs und des Zubehörs, halten Sie Ihre Hände warm und organisieren Sie Ihren Arbeitsablauf**

NL

**Boorhamer**

**1766**

## INTRODUCTIE

- Deze machine is bestemd voor het klopboren in beton, baksteen en steen alsmede voor licht beitelwerk; voor het boren in hout, metaal en kunststof en voor het in- en uitdraaien van schroeven moeten specifieke accessoires gebruikt worden
- Het hamer-systeem in deze machine overtreft de beton-boorprestatie van iedere traditionele klopbroomachine
- Deze machine is zo ontworpen, dat alle standaard SDS+ accessoires gebruikt kunnen worden
- Deze machine is niet bedoeld voor professioneel gebruik
- Lees en bewaar deze gebruiksaanwijzing ③

## TECHNISCHE SPECIFICATIES ①

- \*) Slagkracht overeenkomstig EPTA-Procedure 05/2009 -> waarde nog niet beschikbaar

## MACHINE-ELEMENTEN ②

- A Schakelaar voor aan/uit
- B Instelwielje voor maximum-snelheid/koppel
- C Ontgrendelingsknop
- D Knop voor selecteren van functie-stand
- E Tweede knop voor selecteren van functie-stand
- F Vergrendelingshuls
- G Extra handgreep
- H Ventilatie-openingen
- J Diepteaanslag

## VEILIGHEID

### ALGEMENE VEILIGHEIDSVOORSCHRIFTEN

**⚠ LET OP!** Lees alle veiligheidswaarschuwingen en alle voorschriften. Als de waarschuwingen en voorschriften niet worden opgevolgd, kan dit een elektrische

schok, brand of ernstig letsel tot gevolg hebben. **Bewaar alle waarschuwingen en voorschriften voor toekomstig gebruik.** Het in de waarschuwingen gebruikte begrip "elektrisch gereedschap" heeft betrekking op elektrische gereedschappen voor gebruik op het stroomnet (met netsnoer) en op elektrische gereedschappen voor gebruik met een accu (zonder netsnoer).

### 1) VEILIGHEID VAN DE WERKOMGEVING

- a) **Houd uw werkomgeving schoon en opgeruimd.** Een rommelige of onverlichte werkomgeving kan tot ongevallen leiden.
- b) **Werk met het gereedschap niet in een omgeving met explosiegevaar waarin zich brandbare vloeistoffen, gassen of stof bevinden.** Elektrische gereedschappen veroorzaken vonken die het stof of de dampen tot ontsteking kunnen brengen.
- c) **Houd kinderen en andere personen tijdens het gebruik van het elektrische gereedschap uit de buurt.** Wanneer u wordt afgeleid, kunt u de controle over het gereedschap verliezen.

### 2) ELEKTRISCHE VEILIGHEID

- a) **De aansluitstekker van het gereedschap moet in het stopcontact passen. De stekker mag in geen geval worden veranderd. Gebruik geen adapterstekkers in combinatie met geaarde gereedschappen.** Onveranderde stekkers en passende stopcontacten beperken het risico van een elektrische schok.
- b) **Voorkom aanraking van het lichaam met geaarde oppervlakken, bijvoorbeeld van buizen, verwarmingen, fornuizen en koelkasten.** Er bestaat een verhoogd risico door een elektrische schok wanneer uw lichaam geaard is.
- c) **Houd het gereedschap uit de buurt van regen en vocht.** Het binnendringen van water in het elektrische gereedschap vergroot het risico van een elektrische schok.
- d) **Gebruik de kabel niet voor een verkeerd doel, om het gereedschap te dragen of op te hangen of om de stekker uit het stopcontact te trekken. Houd de kabel uit de buurt van hitte, olie, scherpe randen en bewegende gereedschapsdelen.** Beschadigde of in de war geraakte kabels vergroten het risico van een elektrische schok.
- e) **Wanneer u buitenshuis met elektrisch gereedschap werkt, dient u alleen verlengkabels te gebruiken die voor gebruik buitenshuis zijn goedgekeurd.** Het gebruik van een voor gebruik buitenshuis geschikte verlengkabel beperkt het risico van een elektrische schok.
- f) **Als het gebruik van het elektrische gereedschap in een vochtige omgeving onvermijdelijk is, dient u een aardlekschakelaar te gebruiken.** Het gebruik van een aardlekschakelaar vermindert het risico van een elektrische schok.

### 3) VEILIGHEID VAN PERSONEN

- a) **Wees alert, let goed op wat u doet en ga met verstand te werk bij het gebruik van het elektrische gereedschap. Gebruik het gereedschap niet wanneer u moe bent of onder invloed staat van drugs, alcohol of medicijnen.** Een moment van

onoplettendheid bij het gebruik van het gereedschap kan tot ernstige verwondingen leiden.

- b) **Draag persoonlijke beschermende uitrusting en altijd een veiligheidsbril.** Het dragen van persoonlijke beschermende uitrusting zoals een stofmasker, slipvastes werkschoenen, een veiligheidshelm of gehoorbescherming, afhankelijk van de aard en het gebruik van het elektrische gereedschap, vermindert het risico van verwondingen.
- c) **Voorkom per ongeluk inschakelen. Controleer dat het elektrische gereedschap uitgeschakeld is voordat u de stekker in het stopcontact steekt of de accu aansluit en voordat u het gereedschap oppakt of draagt.** Wanneer u bij het dragen van het elektrische gereedschap uw vinger aan de schakelaar hebt of wanneer u het gereedschap ingeschakeld op de stroomvoorziening aansluit, kan dit tot ongevallen leiden.
- d) **Verwijder instelgereedschappen of schroefslutels voordat u het gereedschap inschakelt.** Een instelgereedschap of sleutel in een draaiend deel van het gereedschap kan tot verwondingen leiden.
- e) **Probeer niet ver te reiken. Zorg ervoor dat u stevig staat en steeds in evenwicht blijft.** Daardoor kunt u het gereedschap in onverwachte situaties beter onder controle houden.
- f) **Draag geschikte kleding. Draag geen loshangende kleding of sieraden. Houd haren, kleding en handschoenen uit de buurt van bewegende delen.** Loshangende kleding, sieraden en lange haren kunnen door bewegende delen worden meegenomen.
- g) **Wanneer stofafzuigings- of stofopvangvoorzieningen kunnen worden gemonteerd, dient u zich ervan te verzekeren dat deze zijn aangesloten en juist worden gebruikt.** Het gebruik van een stofafzuiging beperkt het gevaar door stof.

#### 4) GEBUIK EN ONDERHOUD VAN ELEKTRISCHE GEREEDSCHAPPEN

- a) **Overbelast het gereedschap niet. Gebruik voor uw werkzaamheden het daarvoor bestemde elektrische gereedschap.** Met het passende elektrische gereedschap werkt u beter en veiliger binnen het aangegeven capaciteitsbereik.
- b) **Gebruik geen elektrisch gereedschap waarvan de schakelaar defect is.** Elektrisch gereedschap dat niet meer kan worden in- of uitgeschakeld, is gevaarlijk en moet worden gerepareerd.
- c) **Trek de stekker uit het stopcontact of neem de accu uit het elektrische gereedschap voordat u het gereedschap instelt, toebehoren wisselt of het gereedschap weglegt.** Deze voorzorgsmaatregel voorkomt onbedoeld starten van het gereedschap.
- d) **Bewaar niet-gebruikte elektrische gereedschappen buiten bereik van kinderen. Laat het gereedschap niet gebruiken door personen die er niet mee vertrouwd zijn en deze aanwijzingen niet hebben gelezen.** Elektrische gereedschappen zijn gevaarlijk wanneer deze door onervaren personen worden gebruikt.
- e) **Verzorg het gereedschap zorgvuldig. Controleer of bewegende delen van het gereedschap correct functioneren en niet vastklemmen en of onderdelen zodanig gebroken of beschadigd zijn dat de werking van het gereedschap nadelig wordt beïnvloed. Laat**

**beschadigde delen repareren voordat u het gereedschap gebruikt.** Veel ongevallen hebben hun oorzaak in slecht onderhouden elektrische gereedschappen.

- f) **Houd snijdende inzetgereedschappen scherp en schoon.** Zorgvuldig onderhouden snijdende inzetgereedschappen met scherpe snijkanten klemmen minder snel vast en zijn gemakkelijker te geleiden.
  - g) **Gebruik elektrische gereedschappen, toebehoren, inzetgereedschappen en dergelijke volgens deze aanwijzingen. Let daarbij op de arbeidsomstandigheden en de uit te voeren werkzaamheden.** Het gebruik van elektrische gereedschappen voor andere dan de voorziene toepassingen kan tot gevaarlijke situaties leiden.
- #### 5) SERVICE
- a) **Laat het gereedschap alleen repareren door gekwalificeerd en vakkundig personeel en alleen met originele vervangingsonderdelen.** Daarmee wordt gewaarborgd dat de veiligheid van het gereedschap in stand blijft.

#### VEILIGHEIDSVOORSCHRIFTEN VOOR BOORHAMERS

- **Draag gehoorbescherming** (blootstelling aan lawaai kan gehoorverlies tot gevolg hebben)
- **Gebruik de bij de machine geleverde extra handgrepen** (verlies van controle kan tot verwondingen leiden)
- Voorkom schade, die kan ontstaan door schroeven, spijkers en andere voorwerpen in uw werkstuk; verwijder deze, voordat u aan een karwei begint
- Houd het snoer altijd verwijderd van de bewegende delen van uw machine
- **Zet het werkstuk vast** (een werkstuk, dat is vastgezet met klemmen of in een bankschroef, zit steviger vast dan wanneer het met de hand wordt vastgehouden)
- Als u de machine wegzet moet de motor uitgeschakeld zijn en de bewegende delen tot stilstand zijn gekomen
- Gebruik volledig uitgerolde en veilige verlengsnoeren met een capaciteit van 16 Ampère
- In geval van elektrische of mechanische storing, de machine onmiddellijk uitschakelen en de stekker uit het stopcontact trekken
- SKIL kan alleen een correcte werking van de machine garanderen, indien originele accessoires worden gebruikt
- Gebruik alleen accessoires met een toegestaan toerental, dat minstens even hoog is als het hoogste onbelaste toerental van de machine
- Deze machine mag niet worden gebruikt door personen onder de 16 jaar
- **Gebruik een geschikt detectieapparaat om verborgen stroom-, gas- of waterleidingen op te sporen of raadpleeg het plaatselijke energie- of waterleidingbedrijf** (contact met elektrische leidingen kan tot brand of een elektrische schok leiden; beschadiging van een gasleiding kan tot een explosie leiden; breuk van een waterleiding veroorzaakt materiële schade en kan tot een elektrische schok leiden)
- **Houd het elektrische gereedschap aan de geïsoleerde greepvlakken vast als u werkzaamheden uitvoert waarbij het inzetgereedschap verborgen stroomleidingen of de**

**eigen stroomkabel kan raken** (contact met een onder spanning staande leiding kan ook metalen delen van het elektrische gereedschap onder spanning zetten en tot een elektrische schok leiden)

- **Bewerk geen asbesthoudend materiaal** (asbest geldt als kankerverwekkend)
- Stof van materiaal zoals loodhoudende verf, sommige houtsoorten, mineralen en metaal kunnen schadelijk zijn (contact met of inademing van de stof kan allergische reacties en/of ademhalingsziekten bij gebruiker of omstanders veroorzaken); **draag een stofmasker en werk met een stofopvang-voorziening als die kan worden aangesloten**
- Bepaalde soorten stof zijn geclassificeerd als kankerverwekkend (zoals stof van eiken en beuken), met name in combinatie met toevoegingsmiddelen voor houtverzorging; **draag een stofmasker en werk met een stofopvang-voorziening als die kan worden aangesloten**
- Neem voor de door u te bewerken materialen de nationale voorschriften aangaande stofopvang in acht
- Raak het snoer niet aan, als dit tijdens de werkzaamheden wordt beschadigd of doorgesneden, maar trek onmiddellijk de stekker uit het stopcontact
- Gebruik de machine niet, wanneer het snoer beschadigd is; laat dit door een erkende vakman vervangen
- Controleer altijd of het voltage, dat vermeld staat op het typeplaatje van de machine, overeenkomt met de netspanning (met 230V of 240V aangeduide machines kunnen ook op 220V aangesloten worden)
- Schakel in geval van onverwacht blokkeren van de boorpunt (met een gevaarlijke schokbeweging als gevolg) de machine onmiddellijk uit
- Houd rekening met de krachten, die optreden bij blokkeren (vooral bij het boren in metaal); **gebruik altijd zijhandgreep G ②** en zorg ervoor, dat u stevig staat
- **Trek altijd de stekker uit het stopcontact voordat u een instelling verandert of een accessoire verwisselt**

## GEBRUIK

- Aan/uit ④
- Instelbaar maximum-toerental ⑤  
Met wieltje B kan een maximum-snelheid van laag tot hoog ingesteld worden (1-6)
- Selecteren van functie-stand ⑥  
**! selecteer de functie-stand alleen als de machine uitgeschakeld is en met de stekker uit het stopcontact**
  - druk op knop C om schakelaar D te ontgrendelen
  - draai eerst schakelaar D naar de gewenste functie-stand totdat deze vastklikt
  - draai vervolgens schakelaar E naar de gewenste functie-stand
    - 1 = normaal boren/schroeven
    - 2 = hamerboren
    - 3 = beitelen
- **! begin alleen te werken als schakelaar D vergrendeld is**
  - gebruik voor het boren in hout, metaal en kunststof en voor het in- en uitdraaien van schroeven de bijbehorende adapter (zie: Toepassingsadvies)

- het hamerslagmechanisme treedt in werking als u tijdens het boren een lichte druk op uw machine uitoefent
- het duurt even voordat het hamerslagmechanisme het volle vermogen bereikt
- oefen niet te veel druk uit; laat de machine het werk voor u doen
- Verwisselen van bits ⑦  
**! het SDS+ accessoire voor het inzetten reinigen en licht invetten**
  - trek vergrendelingshuls F ② naar achteren en plaats accessoire draaiend en drukkend in SDS+ boorkop tot deze vastklikt; het accessoire vergrendelt automatisch
  - controleer vergrendeling door aan accessoire te trekken
  - verwijder accessoire door vergrendelingshuls F naar achteren te trekken
- **! het SDS+ accessoire dient beweeglijk geplaatst te worden, waardoor tijdens het onbelast draaien een excentrische onnauwkeurigheid ontstaat; het accessoire centreert zich tijdens het boren echter geheel vanzelf zonder de boorprecisie te beïnvloeden**
- **! gebruik geen bits/beitels met een beschadigde schacht**
- Veiligheidskoppeling  
Indien het accessoire blokkeert, wordt de verbinding tussen aandrijving en as verbroken
  - schakel de machine onmiddellijk uit
  - verwijder het geblokkeerde accessoire
  - schakel de machine weer in
- Instellen van boordiepte ⑧
- Vasthouden en leiden van de machine ⑨  
**! houd de machine tijdens het werk altijd vast bij het(de) grijs-gekleurde greepvlak(ken)**
  - gebruik altijd zijhandgreep G ② (regelbaar zoals afgebeeld)
  - houd ventilatie-openingen H ② onbedekt

## TOEPASSINGSADVIES

- Gebruik de juiste bits ⑩  
**! gebruik uitsluitend scherpe bits/beitels**
- Gebruik voor het boren in hout, metaal en kunststof en voor het in- en uitdraaien van schroeven de bijbehorende adapter (SKIL accessoire 2610395660) ⑪
  - de adapter voor het inzetten reinigen en licht invetten
  - trek vergrendelingshuls F ② naar achteren en plaats adapter draaiend en drukkend in SDS+ boorkop tot deze vastklikt; de adapter vergrendelt automatisch
  - controleer vergrendeling door aan adapter te trekken
  - zet schakelaar D ② op normaal boren (**alleen als de machine uitgeschakeld is en met de stekker uit het stopcontact**)
- Bij het boren van harde metalen
  - een kleiner gat voorboren, wanneer een groot gat nodig is
  - vet de boorpunt af en toe met olie in
- Altijd een gat voorboren bij het schroeven in/vlakbij de kopse- of zijkant van hout
- Splintervrij boren in hout ⑫
- Stofvrij boren in muren ⑬
- Stofvrij boren in plafonds ⑭

- Boren in tegels zonder uitglijden 15
- Voor meer tips zie [www.skil.com](http://www.skil.com)

## ONDERHOUD / SERVICE

- Deze machine is niet bedoeld voor professioneel gebruik
- Open nooit zelf de machine 16
- Houd machine en snoer altijd schoon (met name de ventilatie-openingen H 2)
- ! **trek de stekker uit het stopcontact vóór het reinigen**
- Mocht het elektrische gereedschap ondanks zorgvuldige fabricage- en testmethoden toch defect raken, dient de reparatie te worden uitgevoerd door een erkende klantenservice voor SKIL elektrische gereedschappen
  - stuur de machine **ongedemonteerd**, samen met het aankoopbewijs, naar het verkoopadres of het dichtstbijzijnde SKIL service-station (de adressen evenals de onderdelentekening van de machine vindt u op [www.skil.com](http://www.skil.com))

## MILIEU

- **Geef electrisch gereedschap, accessoires en verpakkingen niet met het huisvuil mee** (alleen voor EU-landen)
  - volgens de Europese richtlijn 2012/19/EG inzake oude elektrische en elektronische apparaten en de toepassing daarvan binnen de nationale wetgeving, dient afgedankt electrisch gereedschap gescheiden te worden ingezameld en te worden afgevoerd naar een recycle-bedrijf, dat voldoet aan de geldende milieu-eisen
  - symbool 17 zal u in het afdankstadium hieraan herinneren

## CONFORMITEITSVERKLARING CE

- Wij verklaren, dat dit product voldoet aan de volgende normen of normatieve documenten: EN 60745, EN 61000, EN 55014, overeenkomstig de bepalingen van de richtlijnen 2004/108/EG, 2006/42/EG, 2011/65/EU
- **Technisch dossier bij:** SKIL Europe BV (PT-SEU/ENG1), 4825 BD Breda, NL

Marijn van der Hoofden  
Operations & Engineering

Olaf Dijkgraaf  
Approval Manager




SKIL Europe BV, 4825 BD Breda, NL

09.12.2013

## GELUID/VIBRATIE

- Gemeten volgens EN 60745 bedraagt het geluidsdrumniveau van deze machine 95 dB(A) en het geluidsvermogen-niveau 106 dB(A) (standaard deviatie: 3 dB), en de vibratie \* (hand-arm methode; onzekerheid K = 1,5 m/s<sup>2</sup>)
  - \* bij het hamerboren in beton 17,0 m/s<sup>2</sup>
  - \* bij het beitelen 16,0 m/s<sup>2</sup>

- Het trillingsemissieniveau is gemeten in overeenstemming met een gestandaardiseerde test volgens EN 60745; deze mag worden gebruikt om twee machines met elkaar te vergelijken en als voorlopige beoordeling van de blootstelling aan trilling bij gebruik van de machine voor de vermelde toepassingen
  - gebruik van de machine voor andere toepassingen, of met andere of slecht onderhouden accessoires, kan het blootstellingsniveau aanzienlijk **verhogen**
  - wanneer de machine is uitgeschakeld of wanneer deze loopt maar geen werk verricht, kan dit het blootstellingsniveau aanzienlijk **reduceren**
- ! **bescherm uzelf tegen de gevolgen van trilling door de machine en de accessoires te onderhouden, uw handen warm te houden en uw werkwijze te organiseren**

S

## Borhammare

1766

## INTRODUKTION

- Maskinen är avsedd för slagborrning i betong, tegel och sten samt för lättare mejslingsarbete; för borring i trä, metall och plast samt för skruvdragnig måste specifikt tillbehör användas
- Slagborrsystemet i denna maskin konkurrerar ut varje traditionell slagborrmaskin, när du skall borra i betong
- Denna maskin är konstruerad för användning i kombination med alla standard SDS+ tillbehör
- Det här verktyget är inte avsedd för yrkesmässig användning
- Läs och spara denna instruktionsbok 3

## TEKNISKA DATA 1

- \* Enkelslagstyrka enligt EPTA-Procedure 05/2009 -> värdet är inte tillgängligt än

## VERKTYGSELEMENT 2

- A Strömbrytare för till/från
- B Ratt för justering av maximalvarvtalet
- C Låsknapp
- D Omkopplare för utväljande av driftsläge
- E Andra omkopplare för utväljande av driftsläge
- F Låshylsa
- G Hjälpbandtag
- H Ventilationsöppningar
- J Djupmätt

## SÄKERHET

### ALLMÄNNA SÄKERHETSANVISNINGAR

- ! **OBS! Läs noga igenom alla anvisningar.** Fel som uppstår till följd av att anvisningarna nedan inte följts kan orsaka elstöt, brand och/eller allvarliga kroppsskador. **Förvara alla varningar och anvisningar för framtida bruk.** Nedan använt begrepp "elverktyg" hänför sig till

nätdrivna elverktyg (med nätsladd) och till batteridrivna elverktyg (sladdlösa).

### 1) ARBETSPLATSSÄKERHET

- a) **Håll arbetsplatsen ren och välbelyst.** Oordning på arbetsplatsen eller dåligt belyst arbetsområde kan leda till olyckor.
- b) **Använd inte elverktyget i explosionsfarlig omgivning med brännbara vätskor, gaser eller damm.** Elverktygen alstrar gnistor som kan antända dammet eller gaserna.
- c) **Håll under arbetet med elverktyget barn och obehöriga personer på betryggande avstånd.** Om du störs av obehöriga personer kan du förlora kontrollen över elverktyget.

### 2) ELEKTRISK SÄKERHET

- a) **Elverktygets stickpropp måste passa till vägguttaget.** Stickproppen får absolut inte förändras. Använd inte adapterkontakter tillsammans med skyddsjordade elverktyg. Oförändrade stickproppar och passande vägguttag reducerar risken för elektriskt slag.
- b) **Undvik kroppskontakt med jordade ytor som t. ex. rör, värmeelement, spisar och kylskåp.** Det finns en större risk för elektriskt slag om din kropp är jordad.
- c) **Skydda elverktyget mot regn och väta.** Tränger vatten in i ett elverktyg ökar risken för elektriskt slag.
- d) **Missbruka inte nätsladden och använd den inte för att bära eller hänga upp elverktyget och inte heller för att dra stickproppen ur vägguttaget.** Håll nätsladden på avstånd från värme, olja, skarpa kanter och rörliga maskindelar. Skadade eller tilltrasslade ledningar ökar risken för elektriskt slag.
- e) **När du arbetar med ett elverktyg utomhus använd endast förlängningsladdar som är godkända för utomhusbruk.** Om en lämplig förlängningsladd för utomhusbruk används minskar risken för elektriskt slag.
- f) **Använd en jordfelsbrytare om det inte är möjligt att undvika elverktygets användning i fuktig miljö.** Genom att använda en jordfelsbrytare minskas risken för elstöt.

### 3) PERSONSÄKERHET

- a) **Var uppmärksam, kontrollera vad du gör och använd elverktyget med förnuft.** Använd inte elverktyget när du är trött eller om du är påverkad av droger, alkohol eller mediciner. Under användning av elverktyg kan även en kort uppmärksamhet leda till allvarliga kroppsskador.
- b) **Bär alltid personlig skyddsutrustning och skyddsglasögon.** Användning av personlig skyddsutrustning som t. ex. dammfiltermask, halkfria säkerhetsskor, skyddshjälm och hörselskydd reducerar alltefter elverktygets typ och användning risken för kroppsskada.
- c) **Undvik oavsiktlig igångsättning. Kontrollera att elverktyget är fränkopplat innan du ansluter stickproppen till vägguttaget och/eller ansluter/tar bort batteriet, tar upp eller bär elverktyget.** Om du bär elverktyget med fingret på strömställaren eller ansluter påkopplat elverktyg till nätströmmen kan olycka uppstå.

- d) **Ta bort alla inställningsverktyg och skruvnycklar innan du kopplar på elverktyget.** Ett verktyg eller en nyckel i en roterande komponent kan medföra kroppsskada.
  - e) **Överskatta inte din förmåga. Se till att du står stadigt och håller balansen.** I detta fall kan du lättare kontrollera elverktyget i oväntade situationer.
  - f) **Bär lämpliga kläder. Bär inte löst hängande kläder eller smycken. Håll håret, kläderna och handskarna på avstånd från rörliga delar.** Löst hängande kläder, smycken och långt hår kan dras in av roterande delar.
  - g) **Vid elverktyg med dammsugnings- och -uppsamlingsutrustning kontrollera att anordningarna är rätt monterade och används på korrekt sätt.** Användning av dammsugning minskar de risker damm orsakar.
- ### 4) OMSORGSFULL HANTERING OCH ANVÄNDNING AV ELVERKTYG
- a) **Överbelasta inte elverktyget. Använd för aktuellt arbete avsett elverktyg.** Med ett lämpligt elverktyg kan du arbeta bättre och säkrare inom angivet effektområde.
  - b) **Ett elverktyg med defekt strömställare får inte längre användas.** Ett elverktyg som inte kan kopplas in eller ur är farligt och måste repareras.
  - c) **Dra stickproppen ur vägguttaget och/eller ta bort batteriet innan inställningar utförs, tillbehörsdelar byts ut eller elverktyget lagras.** Denna skyddsåtgärd förhindrar oavsiktlig inkoppling av elverktyget.
  - d) **Förvara elverktygen oåtkomliga för barn. Låt elverktyget inte användas av personer som inte är förtrogna med dess användning eller inte läst denna anvisning.** Elverktygen är farliga om de används av oerfarna personer.
  - e) **Sköt elverktyget omsorgsfullt. Kontrollera att rörliga komponenter fungerar felfritt och inte kärvar, att komponenter inte brustit eller skadats; orsaker som kan leda till att elverktygets funktioner påverkas menligt. Låt skadade delar repareras innan elverktyget återanvänds.** Många olyckor orsakas av dåligt skötta elverktyg.
  - f) **Håll skärverktygen skarpa och rena.** Omsorgsfullt skötta skärverktyg med skarpa egg kommer inte så lätt i kläm och går lättare att styra.
  - g) **Använd elverktyget, tillbehör, insatsverktyg osv. enligt dessa anvisningar. Ta hänsyn till arbetsvillkoren och arbetsmomenten.** Används elverktyget på icke ändamålsenligt sätt kan farliga situationer uppstå.
- ### 5) SERVICE
- a) **Låt elverktyget repareras endast av kvalificerad fackpersonal och med originalreservdelar.** Detta garanterar att elverktygets säkerhet upprätthålls.

### SÄKERHETSANVISNINGAR FÖR BORRHAMMARE

- **Bär hörselskydd** (risk finns för att buller leder till hörselskada)
- **Använd verktyget med medlevererade stödhandtag** (förlorad kontroll kan orsaka person skador)
- **Undvik skador genom att ta bort skruvar, spikar eller andra föremål ur arbetsstycket; ta dem bort innan du startar ett arbete**

- Håll alltid sladden på säkert avstånd från rörliga maskindelar
- **Sätt fast arbetsstycket** (ett arbetsstycke fastsatt med skruvvingar eller i ett skruvstäd är mera stabilt än om det hålls fast för hand)
- När du ställer ifrån dig maskinen måste motorn vara frånslagen och de rörliga delarna ska ha stannat fullständigt
- Använd helt utrullade och säkra förlängningssladdar med kapacitet på 16 A
- I händelse av onormala elektriska eller mekaniska störningar, stäng genast av maskinen och dra ur stickkontakten
- SKIL kan endast garantera att maskinen fungerar felfritt om originaltillbehör används
- Använd endast tillbehör vilkas tillåtna varvtal åtminstone motsvarar maskinens högsta tomgångsvarvtal
- Den här maskinen ska inte användas av personer under 16 år
- **Använd lämpliga detektorer för lokalisering av dolda försörjningsledningar eller konsultera lokalt distributionsföretag** (kontakt med elledningar kan förorsaka brand och elstöt; en skadad gasledning kan leda till explosion; borring i vattenledning kan förorsaka sakskadador eller elstöt)
- **Håll fast elverktyget vid de isolerade greppytorna när arbeten utförs på ställen där insatstillbehöret kan skada dolda elledningar eller egen nätsladd** (kontakt med en spänningsförande ledning kan sätta elverktygets metalldelar under spänning och leda till elstöt)
- **Asbesthaltigt material får inte bearbetas** (asbest anses vara cancerframkallande)
- Viss typ av damm, exempelvis färg som innehåller bly, vissa träsorter, mineraler och metaller kan vara hälsovådliga om de inhaleras (hudkontakt eller inandning kan ge allergisk reaktion och/eller luftvägsproblem/sjukdom hos personer i närheten); **använd andningsskydd och arbeta med en dammuppsamlare om sådan anslutning finns**
- Vissa typer av damm är klassificerade så som carcinogena (t.ex. ek- och björkdamm) särskilt i kombination med tillsatser för träbehandling; **använd andningsskydd och arbeta med en dammuppsamlare om sådan anslutning finns**
- Följ de nationella krav, som finns angående damm, för de material du skall arbeta med
- Skadas eller kapas nätsladden under arbetet, rör inte vid sladden utan dra genast ut stickkontakten
- Använd ej maskinen om sladden är trasig; låt den byta ut av en kvalificerad person
- Kontrollera alltid att den tillförda strömtypen stämmer med spänningen som anges på maskinens märkplåt (maskiner med beteckningen 230V eller 240V kan även anslutas till 220V)
- Om borrar-bit tillfälligt skulle blockera (orsaka en ryckig och farlig reaktion), stäng genast av maskinen
- Var medveten om den kraft som uppstår i händelse av blockering (speciellt när du borrar i metaller); **använd alltid extrahandtaget G** ② och se till att du står stadigt
- **Dra alltid ur stickkontakten från vägguttaget innan du gör någon justering eller byter tillbehör**

## ANVÄNDNING

- Till/från ④
- Justering av maximalvarvtalet ⑤  
Med ratten B kan maximalvarvtalet justeras steglöst från lågt till högt (1-6)
- Utväljande av driftsläge ⑥  
**! välj driftsläge endast då maskinen är avstängd och kontakten urdragen**
  - tryck på knappen C för att låsa upp omkopplaren D
  - först vrid omkopplaren D till önskat driftsläge tills den spärras i läge
  - därefter vrid omkopplaren E till önskat driftsläge  
1 = normal borring/skruvdragning  
2 = slagborring  
3 = mejsling
- **! arbeta endast när omkopplaren D är låst**
  - för borring i trä, metall och plast samt för skruvdragning måste motsvarande adapter användas (se: Användningstips)
  - slagbormekanismen aktiveras genom ett lätt tryck på maskinen, när borren är i kontakt med arbetsmaterialet
  - det tar lite tid innan slagbormekanismen har full slagkraft
  - lägg inte för mycket tryck på maskinen; låt maskinen göra arbetet åt dig
- Byte av bits ⑦  
**! rengör och fetta in SDS+ tillbehöret lätt innan det sätts i**
  - dra tillbaka låshylsan F ② och för in tillbehöret i SDS+ chuck samtidigt som du vrider och trycker tills den sitter fast; tillbehöret låser sig automatiskt
  - kontrollera låsningen genom att dra i tillbehöret
  - ta bort tillbehöret genom att dra tillbaka låshylsan F
- **! SDS+ tillbehöret måste vara fritt rörligt; genom detta uppstår under tomgång en ocentrerad rörelse vilken upphör vid borring; detta påverkar ej boretts precision**
- **! använd aldrig bits/mejslar med trasig axel**
- Säkerhetskoppling  
Om tillbehöret blockeras, frånkopplas spindelns drivkraft
  - stäng genast av maskinen
  - ta bort blockerat tillbehör
  - starta maskinen igen
- Justering av borr djupet ⑧
- Fattning och styrning av maskinen ⑨  
**! under arbetet, håll alltid verktyget i det grå greppet**
  - använd alltid extrahandtaget G ② (kan justeras enligt bilden)
  - håll ventilationsöppningarna H ② ej övertäckta

## ANVÄNDNINGSTIPS

- Använd rätt bits ⑩  
**! använd endast skarpa bits/mejslar**
- För borring i trä, metall och plast samt för skruvdragning använd motsvarande adapter (SKIL tillbehör 2610395660) ⑪
  - rengör och fetta in adaptern lätt innan det sätts i
  - dra tillbaka låshylsan F ② och för in adaptern i SDS+ chuck samtidigt som du vrider och trycker tills den sitter fast; adaptern låser sig automatiskt

- kontrollere låsningen gennem att dra i adaptern
- ställ in vridknappen D ② till normal borring (används endast då maskinen är avstängd och kontakten urdragen)
- När du borrar i järnmetaller
  - förborra ett mindre hål då ett större behövs
  - olja in borren emellanåt
- Vid idragning av en skruv nära kortänden eller på sidan av trä materialet skall förborring ske för att undvika sprickbildning
- Splinterfri borring i trä ⑫
- Dammfri borring i vägg ⑬
- Dammfri borring i tak ⑭
- Borring i kakel utan att slinta ⑮
- För fler tips se [www.skil.com](http://www.skil.com)

## UNDERHÅLL / SERVICE

- Det här verktyget är inte avsedd för yrkesmässig användning
- Öppna aldrig verktyget själv ⑯
- Håll alltid din maskin och sladden ren (speciellt ventilationsöppningarna H ②)
- ! **drag ur stickkontakten innan rengöring**
- Om i elverktyget trots exakt tillverkning och sträng kontroll störning skulle uppstå, bör reparation utföras av auktoriserad serviceverkstad för SKIL elverktyg
  - sänd in verktyget i **odemonterat skick** tillsammans med inköpsbevis till försäljaren eller till närmaste SKIL serviceverkstad (adresser till servicestationer och sprängskisser av maskiner finns på [www.skil.com](http://www.skil.com))

## MILJÖ

- **Elektriska verktyg, tillbehör och förpackning får inte kastas i hushållsoporna** (gäller endast EU-länder)
  - enligt direktivet 2012/19/EG som avser äldre elektrisk och elektronisk utrustning och dess tillämpning enligt nationell lagstiftning ska uttjänta elektriska verktyg sorteras separat och lämnas till miljövänlig återvinning
  - symbolen ⑰ kommer att påminna om detta när det är tid att kassera

## FÖRSÄKRAN OM ÖVERENSSTÄMMELSE C E

- Vi intygar och ansvarar för, att denna produkt överensstämmer med följande norm och dokument: EN 60745, EN 61000, EN 55014, enl. bestämmelser och riktlinjerna 2004/108/EG, 2006/42/EG, 2011/65/EU
- **Teknisk tillverkningsdokumentation finns hos:** SKIL Europe BV (PT-SEU/ENG1), 4825 BD Breda, NL

Marijn van der Hoofden  
Operations & Engineering

Olaf Dijkgraaf  
Approval Manager

SKIL Europe BV, 4825 BD Breda, NL

09.12.2013

## LJUD/VIBRATION

- Ljudtrycksnivån som uppmätts enligt EN 60745 är på denna maskin 95 dB(A) och ljudeffektnivån 106 dB(A) (standard deviation: 3 dB), och vibration \* m/s<sup>2</sup> (hand-arm metod; onoggrannhet K = 1,5 m/s<sup>2</sup>)
  - \* vid slagborring i betong 17,0 m/s<sup>2</sup>
  - \* vid mejsling 16,0 m/s<sup>2</sup>
- Vibrationsemissionsvärdet har uppmätts enligt ett standardiserat test i enlighet med EN 60745; detta värde kan användas för att jämföra vibrationen hos olika verktyg och som en ungefärlig uppskattning av hur stor vibration användaren utsätts för när verktyget används enligt det avsedda syftet
  - om verktyget används på ett annat än det avsedda syftet eller med fel eller dåligt underhållna tillbehör kan detta drastiskt **öka** vibrationsnivån
  - när verktyget stängs av eller är på men inte används, kan detta avsevärt **minska** vibrationsnivån
- ! **skydda dig mot vibration genom att underhålla verktyget och dess tillbehör, hålla händerna varma och styra upp ditt arbetssätt**

DK

## Borehammer

1766

## INLEDNING

- Værktøjet er beregnet til slagboring i beton, tegl og sten samt til let mejslingsarbejde; til boring i træ, metal og kunststof samt til skruearbejde dog med specifikt tilbehør
- Slagsystemet i denne værktøj udkonkurrerer alle traditionelle slagboremaskiner ved boring i beton
- Dette værktøj er konstrueret til brug med alt standard SDS+ tilbehør
- Dette værktøj er ikke beregnet til professionelt brug
- Læs og gem denne betjeningsvejledning ③

## TEKNISKE SPECIFIKATIONER ①

- \* ) Enkelt slagstyrke iht. EPTA-Procedure 05/2009 -> værdi ikke tilgængelig endnu

## VÆRKTØJETS DELE ②

- A Afbryder til tænd/sluk
- B Hjul til justering af maximal-hastighed
- C Åbnæknap
- D Omskifter for valg af driftsmodus
- E Anden omskifter for valg af driftsmodus
- F Låsemuff
- G Støttehåndtag
- H Ventilationshuller
- J Dybdestop

## SIKKERHED

### GENERALE SIKKERHEDSINSTRUKSER

**⚠ VIGTIGT! Læs alle advarselshenvisninger og instrukser.** I tilfælde af manglende overholdelse af advarselshenvisningerne og instrukserne er der risiko for

elektrisk stød, brand og/eller alvorlige kvæstelser. **Opbevar alle advarselshenvisninger og instrukser til senere brug.** Det i advarselshenvisningerne benyttede begreb "el værktøj" refererer til netdrevt el værktøj (med netkabel) og akkudrevet el værktøj (uden netkabel).

### 1) SIKKERHED PÅ ARBEJDSPLADSEN

- a) **Sørg for, at arbejdsområdet er rent og ryddeligt.** Uorden eller uoplyste arbejdsområder øger faren for uheld.
- b) **Brug ikke maskinen i eksplosionstruede omgivelser, hvor der er brændbare væsker, gasser eller støv.** El-værktøj kan slå gnister, der kan antænde støv eller dampe.
- c) **Sørg for, at andre personer og ikke mindst børn holdes væk fra arbejdsområdet, når maskinen er i brug.** Hvis man distraheres, kan man miste kontrollen over maskinen.

### 2) ELEKTRISK SIKKERHED

- a) **Maskinens stik skal passe til kontakten. Stikket må under ingen omstændigheder ændres. Brug ikke adapterstik sammen med jordforbundne maskiner.** Uændrede stik, der passer til kontakterne, nedsætter risikoen for elektrisk stød.
- b) **Undgå kropskontakt med jordforbundne overflader som f.eks. rør, radiatorer, komfurer og køleskabe.** Hvis din krop er jordforbundet, øges risikoen for elektrisk stød.
- c) **Maskinen må ikke udsættes for regn eller fugt.** Indtrængning af vand i maskinen øger risikoen for elektrisk stød.
- d) **Brug ikke ledningen til formål, den ikke er beregnet til (f.eks. må man aldrig bære maskinen i ledningen, hænge maskinen op i ledningen eller rykke i ledningen for at trække stikket ud af kontakten).** Beskyt ledningen mod varme, olie, skarpe kanter eller maskindele, der er i bevægelse. Beskadigede eller udviklede ledninger øger risikoen for elektrisk stød.
- e) **Hvis maskinen benyttes i det fri, må der kun benyttes en forlængerledning, der er godkendt til udendørs brug.** Brug af forlængerledning til udendørs brug nedsætter risikoen for elektrisk stød.
- f) **Hvis det ikke kan undgås at bruge maskinen i fugtige omgivelser, skal der bruges et HFI-relæ.** Brug af et HFI-relæ reducerer risikoen for at få elektrisk stød.

### 3) PERSONLIG SIKKERHED

- a) **Det er vigtigt at være opmærksom, se, hvad man laver, og bruge maskinen fornuftigt. Man bør ikke bruge maskinen, hvis man er træt, har nydt alkohol eller er påvirket af medicin eller euforiserende stoffer.** Få sekunders uopmærksomhed ved brug af maskinen kan føre til alvorlige personskader.
- b) **Brug beskyttelsesudstyr og hav altid beskyttelsesbriller på.** Brug af sikkerhedsudstyr som f.eks. støvmaske, skridsikret fodtøj, beskyttelseshjelm eller høreværn afhængig af maskintype og anvendelse nedsætter risikoen for personskader.
- c) **Undgå utilsigtet igangsætning. Kontrollér, at el værktøjet er slukket, før du tilslutter det til strømtilførslen og/eller akkuen, løfter eller bærer det.** Undgå at bære el værktøjet med fingeren på

afbryderen og sørg for, at el værktøjet ikke er tændt, når det slutes til nettet, da dette øger risikoen for personskader.

- d) **Fjern indstillingsværktøj eller skruenøgle, inden maskinen tændes.** Hvis et stykke værktøj eller en nøgle sidder i en roterende maskindel, er der risiko for personskader.
  - e) **Overvurder ikke dig selv. Sørg for at stå sikkert, mens der arbejdes, og kom ikke ud af balance.** Det er derved nemmere at kontrollere maskinen, hvis der skulle opstå uventede situationer.
  - f) **Brug egnet arbejdstøj. Undgå løse beklædningsgenstande eller smykker. Hold hår, tøj og handsker væk fra dele, der bevæger sig.** Dele, der er i bevægelse, kan gribe fat i løstsiddende tøj, smykker eller langt hår.
  - g) **Hvis støvudsugnings- og opsamlingsudstyr kan monteres, er det vigtigt, at dette tilsluttes og benyttes korrekt.** Brug af en støvopsugning nedsætter risikoen for personskader som følge af støv.
- ### 4) OMHYGGE LIG OMGANG MED OG BRUG AF EL-VÆRKTØJ
- a) **Undgå overbelastning af maskinen. Brug altid en maskine, der er beregnet til det stykke arbejde, der skal udføres.** Med den rigtige maskine arbejder man bedst og mest sikkert inden for det angivne effektområde.
  - b) **Brug ikke en maskine, hvis afbryder er defekt.** En maskine, der ikke kan startes og stoppes, er farlig og skal repareres.
  - c) **Træk stikket ud af stikkontakten og/eller fjern akkuen, inden maskinen indstilles, der skiftes tilbehørsdele, eller maskinen lægges fra.** Disse sikkerhedsforanstaltninger forhindrer utilsigtet start af maskinen.
  - d) **Opbevar ubenyttet el-værktøj uden for børns rækkevidde. Lad aldrig personer, der ikke er fortrolige med maskinen eller ikke har gennemlæst disse instrukser, benytte maskinen.** El-værktøj er farligt, hvis det benyttes af ukyndige personer.
  - e) **Maskinen bør vedligeholdes omhyggeligt. Kontroller, om bevægelige dele fungerer korrekt og ikke sidder fast, og om delene er brækket eller beskadiget, således at maskinens funktion påvirkes. Få beskadigede dele repareret, inden maskinen tages i brug.** Mange uheld skyldes dårligt vedligeholdte maskiner.
  - f) **Sørg for, at skæreværktøjer er skarpe og rene.** Omhyggeligt vedligeholdte skæreværktøjer med skarpe skærekanten sætter sig ikke så hurtigt fast og er nemmere at føre.
  - g) **Brug el-værktøj, tilbehør, indsatsværktøj osv. iht. disse instrukser. Tag hensyn til arbejdsforholdene og det arbejde, der skal udføres.** I tilfælde af anvendelse af værktøjet til formål, som ligger uden for det fastsatte anvendelsesområde, kan der opstå farlige situationer.
- ### 5) SERVICE
- a) **Sørg for, at maskinen kun repareres af kvalificerede fagfolk, og at der kun benyttes originale reservedele.** Dermed sikres størst mulig maskinsikkerhed.



## SIKKERHEDSINSTRUKSER FOR BOREHAMMER

- **Brug høreværn** (støjpåvirkning kan føre til tab af hørelse)
- **Brug de ekstra håndgreb, der følger med værktøjet** (manglende kontrol kan forårsage personlige skader)
- Undgå skader forårsaget af skruer, søm eller andre materialer i arbejdsstykket; fjern disse før De begynder at arbejde
- Hold altid ledningen væk fra værktøjets bevægelige dele
- **Fastgør emnet** (det er sikrere at holde emner i en fastgøringsanordning eller skruestik end med hånden)
- Efter endt arbejde skal afbryderen afbrydes og alle bevægelige dele være stoppet før værktøjet sættes til side
- Anvend helt udrullede og sikre forlængerledninger med en kapacitet på 16 A
- I tilfælde af elektrisk eller mekanisk fejlfunktion skal afbryderen straks afbrydes og stikket tages ud af kontakten
- SKIL kan kun sikre en korrekt funktion af værktøjet, hvis der benyttes originalt tilbehør
- Der må kun benyttes tilbehør, hvis godkendte omdrejningstal er mindst så højt som værktøjets max. omdrejningstal i ubelastet tilstand
- Dette værktøj må ikke bruges af personer under 16 år
- **Anvend egnede søgeinstrumenter til at finde frem til skjulte forsyningsledninger eller kontakt det lokale forsyningselskab** (kontakt med elektriske ledninger kan føre til brand og elektrisk stød; beskadigelse af en gasledning kan føre til eksplosion; brud på et vandrør kan føre til materiel skade eller elektrisk stød)
- **Hold el-værktøjet i de isolerede gribeblader, når du udfører arbejde, hvor indsatsstilbehøret kan ramme bøjede strømledninger eller el-værktøjets eget kabel** (kontakt med en spændingsførende ledning kan også sætte el-værktøjets metaldele under spænding, hvilket kan føre til elektrisk stød)
- **Bearbejd ikke asbestholdigt materiale** (asbest er kræftfremkaldende)
- Støv fra materiale som f.eks. maling, der indeholder bly, nogle træsorter, mineraler og metal kan være skadeligt (kontakt med eller indånding af støvet kan forårsage allergiske reaktioner og/eller sygdomme i luftvejene hos den, der anvender værktøjet, eller hos omkringstående); **bær en støvmaske og arbejd med en støvudsugningsanordning, hvor en sådan kan slutes til**
- Visse slags støv er klassificeret som kræftfremkaldende (som f.eks. støv fra eg og bøg) især i forbindelse med tilsætningsstoffer til træbehandling; **bær en støvmaske og arbejd med en støvudsugningsanordning, hvor en sådan kan slutes til**
- Følg de nationale krav, hvad angår støv, for de materialer, du ønsker at arbejde med
- Hvis kablet beskadiges eller skæres over under arbejdet, ikke berør kablet, og straks træk ud stikket
- Brug ikke værktøjet, hvis kablet er beskadiget; få det skiftet ud af en anerkendt fagmand
- Kontrollér altid at forsyningsspændingen er den samme som den spænding, der er anført på værktøjets

navneskilt (værktøj med betegnelsen 230V eller 240V kan også tilsluttes til 220V)

- Hvis boret blokerer uventet (førende til en rykagtig farlig reaktion), skal værktøjet straks afbrydes
- Vær opmærksom på de opstående kræfter af blokering (især ved boring i metal); **anvend altid støttegrebet G** ② og sørg for at stå sikkert
- **Fjern altid først stikket fra kontakten, førend De foretager nogle ændringer eller skifter tilbehør**

## BETJENING

- Tænd/sluk ④
- Justering af maksimal-hastighed ⑤  
Ved hjælp af hjulet B kan maksimalhastigheden justeres trinløst fra lav til høj (1-6)
- Valg af driftsmodus ⑥
  - ! **vælg kun driftsmodus når værktøjet er slukket og stikket er taget ud af stikkontakten**
  - tryk på knap C for at låse kontakt D op
  - først drej kontakt D i den ønskede driftstilstand, indtil den smækker i lås
  - dernæst drej kontakt E i den ønskede driftstilstand
    - 1 = normal boring/skruning
    - 2 = slagboring
    - 3 = mejsling
  - ! **begynd ikke at arbejde, før kontakt D er låst**
  - til boring i træ, metal og kunststof samt til skruearbejde skal dertil hørende adapter anvendes (se: Gode råd)
  - slag mekanismen aktiveres med et let tryk på værktøjet når boret i berøring med materialet
  - det tager kort tid for slag mekanismen at nå op på fuld kraft
  - pres ikke for hårdt med værktøjet; lad værktøjet gøre arbejdet for dig
- Ombytning af bits ⑦
  - ! **SDS+ tilbehør skal renses og indfedtes let, før det isættes**
  - træk låsemuffen F ② tilbage og indsæt tilbehøret i SDS+ borepatronen, mens du drejer og trykker, til den sidder fast; tilbehør bliver automatisk låst fast
  - kontroller fastlåsningsen ved at trække i tilbehøret
  - tag tilbehøret ud ved at trække låsemuffen F tilbage
  - ! **SDS+ tilbehøret skal være frit bevægeligt hvorved opstår i tomgang en rundløbsafvigelse; tilbehøret bliver automatisk centreret ved boring og dette har ingen påvirkning af borehullets nøjagtighed**
  - ! **brug ikke bits/mejsler med beskadiget skaft**
- Sikkerhedskobling  
Hvis tilbehøret blokerer, afbrydes fremdriften af spindlen
  - sluk straks for værktøjet
  - fjern blokeret tilbehør
  - tænd værktøjet igen
- Indstilling af boreddybden ⑧
- Håndtering og styring af værktøjet ⑨
  - ! **under arbejde, hold altid om værktøjet på de grå markerede grebsområde(r)**
  - **anvend altid støttegrebet G** ② (kan justeres som vist)
  - hold ventilationshullerne H ② utildækkede

## GODE RÅD

- Brug rigtige bits <sup>(10)</sup>  
**! brug kun skarpe bits/mejsler**
- Til boring i træ, metal og kunststof samt til skruearbejde anvend den dertil hørende adapter (SKIL tilbehør 261039560) <sup>(11)</sup>
  - adapter skal renses og indfedtes let, før det isættes
  - træk låsemuffen F <sup>(2)</sup> tilbage og indsæt adapter i SDS+ borepatronen, mens du drejer og trykker, til den sidder fast; adapter bliver automatisk låst fast
  - kontroller fastlåsningsen ved at trække i adapter
  - stil afbryderen D <sup>(2)</sup> på normal borings indstilling (**må kun aktiveres når værktøjet er slukket og stikket er taget ud af stikkontakten**)
- Ved boring i metal
  - forbor et mindre hul, når et stort hul skal bores
  - sørg for at smøre boret en gang imellem med olien
- Ved iskruning af en skrue nær endeflader eller i endetræ bør der forbores for at undgå splinter i træet
- Splintfri boring i træ <sup>(12)</sup>
- Støvfri boring i vægge <sup>(13)</sup>
- Støvfri boring i lofter <sup>(14)</sup>
- Boring i fliser uden udskridning <sup>(15)</sup>
- For flere tips se [www.skil.com](http://www.skil.com)

## VEDLIGEHOLDELSE/SERVICE

- Dette værktøj er ikke beregnet til professionelt brug
- Man må aldrig selv åbne værktøjet <sup>(16)</sup>
- Hold værktøjet og ledningen ren (især ventilationshullerne H <sup>(2)</sup>)  
**! træk stikket ud før rensning**
- Skulle el værktøjet trods omhyggelig fabrikation og kontrol holde op med at fungere, skal reparationen udføres af et autoriseret serviceværksted for SKIL-elektroværktøj
  - send den **uskilte** værktøjet sammen med et købsbevis til forhandleren eller nærmeste SKIL serviceværksted (adresser og reservedelstegning af værktøjet findes på [www.skil.com](http://www.skil.com))

## MILJØ

- **Elværktøj, tilbehør og emballage må ikke bortskaffes som almindeligt affald** (kun for EU-lande)
  - i henhold til det europæiske direktiv 2012/19/EF om bortskaffelse af elektriske og elektroniske produkter og gældende national lovgivning, skal brugt elværktøj indsamles separat og bortskaffes på en måde, der skåner miljøet mest muligt
  - symbolet <sup>(17)</sup> erindrer dig om dette, når udskiftning er nødvendig

## OVERENSSTEMMELSESERKLÆRING CE

- Vi erklærer under almindeligt ansvar, at dette produkt er i overensstemmelse med følgende normer eller normative dokumenter: EN 60745, EN 61000, EN 55014, i henhold til bestemmelserne i direktiverne 2004/108/EF, 2006/42/EF, 2011/65/EU

- **Teknisk dossier hos:** SKIL Europe BV (PT-SEU/ENG1), 4825 BD Breda, NL

Marijn van der Hoofden      Olaf Dijkgraaf  
Operations & Engineering      Approval Manager

SKIL Europe BV, 4825 BD Breda, NL

09.12.2013

## STØJ/VIBRATION

- Måles efter EN 60745 er lydtrykniveau af dette værktøj 95 dB(A) og lydeffektniveau 106 dB(A) (standard deviation: 3 dB), og vibrationsniveauet \* m/s<sup>2</sup> (hånd-arm metoden; usikkerhed K = 1,5 m/s<sup>2</sup>)
    - \* ved slagboring i beton 17,0 m/s<sup>2</sup>
    - \* ved mejsling 16,0 m/s<sup>2</sup>
  - Det vibrationsniveau er målt i henhold til den standardiserede test som anført i EN 60745; den kan benyttes til at sammenligne to stykker værktøj og som en foreløbig bedømmelse af udsættelsen for vibrationer, når værktøjet anvendes til de nævnte formål
    - anvendes værktøjet til andre formål eller med andet eller dårligt vedligehold tilbehør, kan dette **øge** udsættelsesniveauet betydeligt
    - de tidsrum, hvor værktøjet er slukket, eller hvor det kører uden reelt at udføre noget arbejde, kan **reducere** udsættelsesniveauet betydeligt
- ! beskyt dig selv imod virkningerne af vibrationer ved at vedligeholde værktøjet og dets tilbehør, ved at holde dine hænder varme og ved at organisere dine arbejdsmønstre**

N

## Borhammer

1766

## INTRODUKSJON

- Dette verktøyet er beregnet til slagboring i betong, mursten og sten samt på lett meisling; til boring i tre, metall og kunststoff og dessuten til skruing, men med spesifikt tilbehør
- Slagboringssystemet i dette verktøyet overgår alle tradisjonelle slagboremekanismer ved bruk i betong
- Dette verktøyet er spesielt konstruert til bruk sammen med alt standard SDS+ tilbehør
- Dette verktøyet er ikke beregnet på profesjonell bruk
- Les og ta vare på denne brukerveiledningen <sup>(3)</sup>

## TEKNISKE OPPLYSNINGER <sup>(1)</sup>

- \* Enkeltslagstyrke tilsvarende EPTA-Procedure 05/2009 -> verdi ikke tilgjengelig enda

## VERKTØYELEMENTER <sup>(2)</sup>

- A Av/på bryter
- B Hjul for maksimumshastighetsregulering
- C Frigjøringsknapp

- D Bryter til valg av driftsmodus
- E Andre bryter til valg av driftsmodus
- F Låsehylse
- G Støttehåndtak
- H Ventilasjonsåpninger
- J Dybdemåler

## SIKKERHET

### GENERELLE SIKKERHETSANVISNINGER

#### **⚠ OBS! Les gjennom alle advarslene og anvisningene.**

Feil ved overholdelsen av advarslene og nedenstående anvisninger kan medføre elektriske støt, brann og/eller alvorlige skader. **Ta godt vare på alle advarslene og informasjonene.** Det nedenstående anvendte uttrykket "elektroverktøy" gjelder for strømdrevne elektroverktøy (med ledning) og batteridrevne elektroverktøy (uten ledning).

#### 1) SIKKERHET PÅ ARBEIDSPLASSEN

- a) **Hold arbeidsområdet rent og ryddig.** Rotete arbeidsområder eller arbeidsområder uten lys kan føre til ulykker.
- b) **Ikke arbeid med maskinen i eksplosjonsutsatte omgivelser – der det finnes seg brennbare væsker, gass eller støv.** Elektroverktøy lager gnister som kan antenne støv eller damper.
- c) **Hold barn og andre personer unna når elektroverktøyet brukes.** Hvis du blir forstyrret under arbeidet, kan du miste kontrollen over maskinen.

#### 2) ELEKTRISK SIKKERHET

- a) **Støpselet til maskinen må passe inn i stikkkontakten. Støpselet må ikke forandres på noen som helst måte. Ikke bruk adapterstøpsler sammen med jordede maskiner.** Bruk av støpsler som ikke er forandret på og passende stikkontakter reduserer risikoen for elektriske støt.
- b) **Unngå kroppskontakt med jordede overflater slik som rør, ovner, komfyrer og kjøleskap.** Det er større fare ved elektriske støt hvis kroppen din er jordat.
- c) **Hold maskinen unna regn eller fuktighet.** Dersom det kommer vann i et elektroverktøy, øker risikoen for elektriske støt.
- d) **Ikke bruk ledningen til andre formål, f.eks. til å bære maskinen, henge den opp eller trekke den ut av stikkkontakten. Hold ledningen unna varme, olje, skarpe kanter eller maskindeler som beveger seg.** Med skadede eller opphopede ledninger øker risikoen for elektriske støt.
- e) **Når du arbeider utendørs med et elektroverktøy, må du kun bruke en skjøteledning som er godkjent til utendørs bruk.** Når du bruker en skjøteledning som er egnet for utendørs bruk, reduseres risikoen for elektriske støt.
- f) **Hvis det ikke kan unngås å bruke elektroverktøyet i fuktige omgivelser, må du bruke en jordfeilbryter.** Bruk av en jordfeilbryter reduserer risikoen for elektriske støt.

#### 3) PERSONSIKKERHET

- a) **Vær oppmerksom, pass på hva du gjør, gå fornuftig frem når du arbeider med et elektroverktøy. Ikke bruk maskinen når du er trett eller er påvirket av**

**narkotika, alkohol eller medikamenter.** Et øyeblikks uoppmerksomhet ved bruk av maskinen kan føre til alvorlige skader.

- b) **Bruk personlig verneutstyr og husk alltid å bruke vernebriller.** Bruk av personlig sikkerhetsutstyr som støvmaske, sklifaste arbeidssko, hjelm eller hørselvern – avhengig av type og bruk av elektroverktøyet – reduserer risikoen for skader.
  - c) **Unngå å starte verktøyet ved en feiltagelse. Forviss deg om at elektroverktøyet er slått av før du kobler det til strømmen og/eller batteriet, løfter det opp eller bærer det.** Hvis du holder fingeren på bryteren når du bærer elektroverktøyet eller kobler elektroverktøyet til strømmen i innkoblet tilstand, kan dette føre til uhell.
  - d) **Fjern innstillingsverktøy eller skrunøkler før du slår på elektroverktøyet.** Et verktøy eller en nøkkel som befinner seg i en roterende maskindel, kan føre til skader.
  - e) **Ikke overvurder deg selv. Sørg for å stå stødig og i balanse.** Dermed kan du kontrollere maskinen bedre i uventede situasjoner.
  - f) **Bruk alltid egnede klær. Ikke bruk vide klær eller smykker. Hold hår, tøy og hansker unna deler som beveger seg.** Løstsittende tøy, smykker eller langt hår kan komme inn i deler som beveger seg.
  - g) **Hvis det kan monteres støvavsug- og oppsamlingsinnretninger, må du forviss deg om at disse er tilkoblet og brukes på korrekt måte.** Bruk av et støvavsug reduserer farer på grunn av støv.
- #### 4) AKTSOM HÅNTERING OG BRUK AV ELEKTROVERKTØY
- a) **Ikke overbelast maskinen. Bruk et elektroverktøy som er beregnet til den type arbeid du vil utføre.** Med et passende elektroverktøy arbeider du bedre og sikrere i det angitte effektområdet.
  - b) **Ikke bruk elektroverktøy med defekt på-/avbryter.** Et elektroverktøy som ikke lenger kan slås av eller på, er farlig og må repareres.
  - c) **Trekk støpselet ut av stikkkontakten og/eller fjern batteriet før du utfører innstillinger på elektroverktøyet, skifter tilbehørsdeler eller legger maskinen bort.** Disse tiltakene forhindrer en utilsiktet startung av maskinen.
  - d) **Elektroverktøy som ikke er i bruk må oppbevares utilgjengelig for barn. Ikke la maskinen brukes av personer som ikke er fortrolig med dette eller ikke har lest disse anvisningene.** Elektroverktøy er farlige når de brukes av uerfarne personer.
  - e) **Vær nøye med vedlikeholdet av maskinen. Kontroller om bevegelige maskindeler fungerer feifritt og ikke klemmes fast, og om deler er brukket eller skadet, slik at dette innvirker på maskinens funksjon. La skadede deler repareres før maskinen brukes.** Dårlig vedlikeholdte elektroverktøy er årsaken til mange uhell.
  - f) **Hold skjæreverktøyene skarpe og rene.** Godt stelte skjæreverktøy med skarpe skjær setter seg ikke så ofte fast og er lettere å føre.
  - g) **Bruk elektroverktøy, tilbehør, verktøy osv. i henhold til disse anvisningene. Ta hensyn til arbeidsforholdene og arbeidet som skal utføres.** Bruk av elektroverktøy til andre formål enn det som er angitt kan føre til farlige situasjoner.

## 5) SERVICE

- a) **Maskinen din skal alltid kun repareres av kvalifisert fagpersonale og kun med originale reservedeler.**  
Slik opprettholdes maskinens sikkerhet.

## SIKKERHETSANVISNINGER FOR BORHAMMER

- **Bruk hørselvern** (innvirkning av støy kan føre til at man mister hørselen)
- **Bruk ekstrahåndtakene som leveres sammen med verktøyet** (manglende kontroll kan forårsake personlige skader)
- Ungå skade p.g.a. skruer, spiker eller andre elementer i arbeidsstykket; fjernes før man starter jobben
- Hold alltid kablet borte fra bevegelige deler på verktøyet
- **Sett fast arbeidsstykket** (et arbeidsstykke som er sikret med klemmer, sitter sikrere enn om det holdes fast for hånd)
- Når du setter bort verktøyet må bryteren slås av, bevegelige deler må være helt stoppet
- Bruk helt utrullet og sikker skjoteledning med en kapasitet på 16 A
- I tilfelle en elektrisk eller mekanisk svikt, skal verktøyet med en gang slås av og støpslet trekkes ut
- SKIL kan kun garantere et feilfritt verktøy dersom original-tilbehør brukes
- Bruk kun tilbehør med et godkjent turtall som er minst like høyt som verktøyet høyeste tomgangsturtall
- Verktøyet må ikke brukes av personer under 16 år
- **Bruk egnede detektorer til å finne skjulte strøm-/gass-/vannledninger, eller spør hos det lokale el-/gass-/vannverket** (kontakt med elektriske ledninger kan medføre brann og elektrisk støt; skader på en gassledning kan føre til eksplosjon; inntrenging i en vannledning forårsaker materielle skader og kan medføre elektriske støt)
- **Hold elektroverktøyet på de isolerte gripeflatene, hvis du utfører arbeid der innsatstilbehøret kan treffe på skjulte strømledninger eller den egne strømledningen** (kontakt med en spenningsførende ledning kan også sette elektroverktøyet metalldele under spenning og føre til elektriske støt)
- **Ikke bearbeid asbestholdig material** (asbest kan fremkalle kreft)
- Støv fra materialer som blyholdig maling, visse tresorter, mineraler og metall kan være skadelig (kontakt med eller inhalering av støv kan gi allergiske reaksjoner og/eller sykdommer i åndedretsorganene for brukeren eller personer i nærheten); **bruk støvmaske og arbeid med støvfjerningsutstyr når det er mulig**
- Visse typer støv er klassifisert som kreftfremkallende (som f.eks. støv fra eik og bøk), spesielt sammen med tilsetningsstoffer for trebehandling; **bruk støvmaske og arbeid med støvfjerningsutstyr når det er mulig**
- Følg de nasjonale krav, når det gjelder støv for de materialer du ønsker å arbeide med
- Hvis kablet skades eller kappes under arbeid må kablet ikke berøres, men støpselet straks trekkes ut
- Bruk ikke verktøyet dersom kabel er skadet; få den skiftet ud af en anerkendt fagmand
- Sjekk alltid at tilført spenningen er den samme som oppgitt på verktøyet merkeplate (verktøy som er betegnet med 230V eller 240V kan også koples til et 220V strømuttak)

- Hvis boret plutselig skulle blokkere (førende til en rykkagtig farlig reaksjon), slå øyeblikkelig av bryteren
- Ta hensyn til de krefter som da oppstår ved blokkering (spesielt ved boring i metaller); **bruk alltid sidehåndtaket G ②** og pass på å stå stødig
- **Ta alltid ut kontakten før du forandrer innstillinger på sagen eller skifter tilbehør**

## BRUK

- Av/på ④
- Variabel maksimumshastighet ⑤  
Maksimumshastighet kan justeres trinnløs fra lav til høy med hjul av hjulet B (1-6)
- Valg av driftsmodus ⑥
  - ! **velg driftsmodus når verktøyet er slått av og støpselet trukket ut av kontakten**
  - trykk inn knappen C for å frigjøre bryteren D
  - først vri bryteren D til ønsket driftsmodus inntil den snepper på plass
  - deretter vri bryteren E til ønsket driftsmodus
    - 1 = normal boring/skruing
    - 2 = slagboring
    - 3 = meisling
  - ! **ikke begynn å jobbe før bryteren D er låst på plass i riktig posisjon**
  - til boring i tre, metall og kunststoff og dessuten til skruing må tilhørende adapteren brukes (se: Bruker tips)
  - slagmekanismen aktiveres ved å tilføre et lett trykk bak på drillen når boret står i kontakt med arbeidsmaterialet
  - det tar litt tid for at slagmekanismen skal nå full slageffekt
  - ikke utøv for meget press på verktøyet; la verktøyet gjøre jobben for deg
- Bytting av bits ⑦
  - ! **SDS+ tilbehør må renses og fettes lett inn før bruk**
  - trekk tilbake låsehylsen F ② og sett inn tilbehøret i SDS+ chucken mens du vrir og skyver til den griper; tilbehøret låses automatisk fast
  - kontrollør at tilbehøret er festet ved å trekke i det
  - fjern tilbehøret ved å trekke tilbake låsehylsen F
  - ! **SDS+ tilbehøret må bevegges fritt, ved tomgang vil dermed tilbehøret være usentrert, men sentrerer automatisk ved belastning uten at dette påvirker bor-nyaktigheten**
  - ! **bruk aldri bit/meisler med skadet tange**
- Sikkerhetskopling  
Dersom tilbehøret kjøres fast, avbrytes driften av spindelen
  - slå øyeblikkelig av verktøyet
  - fjern fastkjøret tilbehør
  - slå på verktøyet igjen
- Justering av boredybden ⑧
- Grep og styring av verktøyet ⑨
  - ! **under arbeid, hold verktøyet alltid i grått(gråe) grepsområde(r)**
  - **bruk alltid sidehåndtaket G ②** (kan justeres som vist)
  - hold ventilasjonsåpningen H ② utildekket

## BRUKER TIPS

- Bruk riktig bits <sup>10</sup>  
**! bruk alltid skarpt bit/meisler**
- Til boring i tre, metall og kunststoff og dessuten til skruing bruk den tilhørende adapteren (SKIL tilbehør 2610395660) <sup>11</sup>
  - adapter må renses og fettes lett inn før bruk
  - trekk tilbake låsehylsen F <sup>2</sup> og sett inn adapteren i SDS+ chucken mens du vrir og skyver til den griper; adapteren låses automatisk fast
  - kontrollér at adapteret er festet ved å trekke i det
  - sett bryteren D <sup>2</sup> på normal boringsfunksjon (**må kun betjenes når verktøyet er slått av og støpselet trukket ut av kontakten**)
- Ved boring i jernholdige metaller
  - bor først et lite hull, når et stort hull er krevet
  - smør boret av og til med olje
- Ved skruing ute ved materialkanten er det en fordel å forbore for a ongå å materialet sprekker
- Splinterfri boring i tre <sup>12</sup>
- Støvfri boring i vegger <sup>13</sup>
- Støvfri boring i tak <sup>14</sup>
- Boring i fliser uten skli <sup>15</sup>
- Se flere tips på [www.skil.com](http://www.skil.com)

## VEDLIKEHOLD / SERVICE

- Dette verktøyet er ikke beregnet på profesjonell bruk
- Du må aldri åpne verktøyet selv <sup>16</sup>
- Hold alltid verktøyet og kabelen ren (spesielt ventilasjonshullene H <sup>2</sup>)  
**! dra ut støpselet før rengjøring**
- Hvis elektroverktøyet til tross for omhyggelige produksjons- og kontrollmetoder en gang skulle svikte, må reparasjonen utføres av et autorisert serviceverksted for SKIL-elektroverktøy
  - send verktøyet i **montert** tilstand sammen med kjøpebevis til forhandleren eller nærmeste SKIL servicesenter (adresser liksom service diagram av verktøyet finner du på [www.skil.com](http://www.skil.com))

## MILJØ

- **Kast aldri elektroverktøy, tilbehør og emballasje i husholdningsavfallet** (kun for EU-land)
  - i henhold til EU-direktiv 2012/19/EF om kasserte elektriske og elektroniske produkter og direktivets iverksetting i nasjonal rett, må elektroverktøy som ikke lenger skal brukes, samles separat og returneres til et miljøvennlig gjenvinningsanlegg
  - symbolet <sup>17</sup> er påtrykt som en påminnelse når utskifting er nødvendig

## SAMSVARSERKLÆRING

- Vi erklærer at det er under vårt ansvar at dette produkt er i samsvar med følgende standarder eller standard-dokumenter: EN 60745, EN 61000, EN 55014, i samsvar med reguleringer 2004/108/EF, 2006/42/EF, 2011/65/EU

- **Tekniske underlag hos:** SKIL Europe BV (PT-SEU/ENG1), 4825 BD Breda, NL

Marijn van der Hoofden      Olaf Dijkgraaf  
Operations & Engineering      Approval Manager

SKIL Europe BV, 4825 BD Breda, NL

09.12.2013

## STØY/VIBRASJON

- Målt ifølge EN 60745 er lydtrykknivået av dette verktøyet 95 dB(A) og lydsterkenivået 106 dB(A) (standard deviasjon: 3 dB), og vibrasjonsnivået \* m/s<sup>2</sup> (hånd-arm metode; usikkerhet K = 1,5 m/s<sup>2</sup>)
  - \* ved slagboring i betong 17,0 m/s<sup>2</sup>
  - \* ved meisling 16,0 m/s<sup>2</sup>
- Det avgitte vibrasjonsnivået er blitt målt i samsvar med en standardisert test som er angitt i EN 60745; den kan brukes til å sammenligne et verktøy med et annet, og som et foreløpig overslag over eksponering for vibrasjoner ved bruk av verktøyet til de oppgavene som er nevnt
  - bruk av verktøyet til andre oppgaver, eller med annet eller mangelfullt vedlikeholdt utstyr, kan gi en vesentlig **økning** av eksponeringsnivået
  - tidsrommene når verktøyet er avslått eller når det går men ikke arbeider, kan gi en vesentlig **reduksjon** av eksponeringsnivået
- **! beskytt deg selv mot virkningene av vibrasjoner ved å vedlikeholde verktøyet og utstyret, holde hendene varme og organisere arbeidsmåten din**

FIN

Poravasara

1766

## ESITTELY

- Koneet on tarkoitettu iskuporaukseen betoniin, tiileen ja kiveen sekä keveään talttatyöhön; porattaessa puuta, metallia tai muovia tai ruuvattaessa on käytettävä erikseen näille materiaaleille tarkoitettuja tarvikkeita
- Iskumekanismi tekee tarpeettomaksi kaikki traditionaaliset iskuporat porattaessa betoniin
- Tässä koneessa voidaan käyttää tavallisia SDS+ tarvikkeita
- Tämä työkalua ei ole tarkoitettu ammattikäyttöön
- Lue ja säilytä tämä ohjekirja <sup>3</sup>

## TEKNISET TIEDOT <sup>1</sup>

- \* Kiinnitysiskun voimakkuus vastaa EPTA-Procedure 05/2009 -> arvo ei vielä saatavilla

## LAITTEEN OSAT <sup>2</sup>

- A Käynnistyskytkin
- B Pyörä maksiminopeuden säätämistä varten
- C Vapautuspainike

- D Kytkin käyttötilan valitsemiseksi
- E Toinen kytkin käyttötilan valitsemiseksi
- F Lukitusohjelki
- G Apukahva
- H Ilmanvaihto-aukot
- J Poraussyvyyden rajoitin

## TURVALLISUUS

### YLEISET TURVALLISUUSOHJEET

#### **⚠️ HUOMIO!** Lue kaikki turvallisuus- ja muut ohjeet.

Turvallisuusohjeiden noudattamisen laiminlyönti saattaa johtaa sähköiskuun, tulipaloon ja/tai vakavaan loukkaantumiseen. **Säilytä kaikki turvallisuus- ja muut ohjeet tulevaisuutta varten.** Turvallisuusohjeissa käytetty käsite "sähkötyökalu" käsittää verkkoikäyttöisiä sähkötyökaluja (verkojohdolla) ja akkukäyttöisiä sähkötyökaluja (ilman verkkojohtoa).

### 1) TYÖPAIKAN TURVALLISUUS

- a) **Pidä työskentelyalue puhtaana ja hyvin valaistuna.**  
Työpaikan epäjärjestys tai valaisemattomat työalueet voivat johtaa tapaturmiin.
- b) **Älä työskentele sähkötyökalulla räjähdysalttiissa ympäristössä, jossa on palavaa nestettä, kaasua tai pölyä.** Sähkötyökalu muodostaa kipinöitä, jotka saattavat sytyttää pölyn tai höyryt.
- c) **Pidä lapset ja sivulliset loitolla sähkötyökalua käyttäessäsi.** Voit menettää laitteesi hallinnan, huomiosi suuntautuessa muualle.

### 2) SÄHKÖTURVALLISUUS

- a) **Sähkötyökalun pistotulpan tulee sopia pistorasiaan.** Pistotulppaa ei saa muuttaa millään tavalla. Älä käytä mitään pistorasia-adaptoreita maadoitettujen sähkötyökalujen kanssa. Alkuperäisessä kunnossa olevat pistotulpat ja sopivat pistorasiat vähentävät sähköiskun vaaraa.
- b) **Vältä koskettamasta maadoitettuja pintoja, kuten putkia, pattereita, liesiä tai jääkaappeja.** Sähköiskun vaara kasvaa, jos kehosi on maadoitettu.
- c) **Älä aseta sähkötyökalua alttiiksi satelle tai kosteudelle.** Veden tunkeutuminen sähkötyökalun sisään kasvattaa sähköiskun riskiä.
- d) **Älä käytä verkkojohtoa väärin. Älä käytä sitä sähkötyökalun kantamiseen, vetämiseen tai pistotulpan irrottamiseen pistorasiasta. Pidä johto loitolla kuumuudesta, öljystä, terävistä ruunoista ja liikkuvista osista.** Vahingoittuneet tai sotkeutuneet johdot kasvattavat sähköiskun vaaraa.
- e) **Käyttäessäsi sähkötyökalua ulkona, käytä ainoastaan ulkoikäyttöön soveltuvaa jatkojohtoa.** Ulkoikäyttöön soveltuvan jatkojohdon käyttö pienentää sähköiskun vaaraa.
- f) **Jos sähkötyökalun käyttö kosteassa ympäristössä ei ole vältettävissä, tulee käyttää maavuotokatkaisijaa.** Maavuotokatkaisijan käyttö vähentää sähköiskun vaaraa.

### 3) HENKILÖTURVALLISUUS

- a) **Ole valpas, kiinnitä huomiota työskentelyysi ja noudata tervettä järkeä sähkötyökalua käyttäessäsi. Älä käytä sähkötyökalua, jos olet väsynyt tai**

**huumeiden, alkoholin tahi lääkkeiden vaikutuksen alaisena.** Hetken tarkkaamattomuus sähkötyökalua käytettäessä, saattaa johtaa vakavaan loukkaantumiseen.

- b) **Käytä suojavarusteita. Käytä aina suojalaseja.** Henkilökohtaisen suojavarustuksen käyttö, kuten pölynaamarin, luistamattomien turvakenkien, suojakypärän tai kuulonsuojaimien, riippuen sähkötyökalun lajista ja käyttötavasta, vähentää loukaantumisriskiä.
  - c) **Vältä tahatonta käynnistämistä. Varmista, että sähkötyökalu on poiskytkettynä, ennen kuin liität sen sähköverkkoon ja/tai liität akun, otat sen käteen tai kannat sitä.** Jos kannat sähkötyökalua sormi käynnistyskytkimellä tai kytket sähkötyökalun pistotulpan pistorasiaan, käynnistyskytkimen ollessa käyntiasennossa, altistat itsesi onnettomuuksille.
  - d) **Poista kaikki säätötyökalut ja ruuvitaltat, ennen kuin käynnistät sähkötyökalun.** Työkalu tai avain, joka sijaitsee laitteen pyörivässä osassa, saattaa johtaa loukkaantumiseen.
  - e) **Älä yliarvioi itseäsi. Huolehdi aina tukevasta seisoma-asennosta ja tasapainosta.** Täten voit paremmin hallita sähkötyökalua odottamattomissa tilanteissa.
  - f) **Käytä tarkoitukseen soveltuvia vaatteita. Älä käytä löysiä työvaatteita tai koruja. Pidä hiukset, vaatteet ja kineet loitolla liikkuvista osista.** Vältä vaatteet, korut ja pitkät hiukset voivat takertua liikkuviin osiin.
  - g) **Jos pölynimi- ja keräilylaitteita voidaan asentaa, tulee sinun tarkistaa, että ne on liitetty ja että ne käytetään oikealla tavalla.** Pölynimulaitteiston käyttö vähentää pölyn aiheuttamia vaaroja.
- ### 4) SÄHKÖTYÖKALUJEN KÄYTTÖ JA HOITO
- a) **Älä ylikuormita laitetta. Käytä kyseiseen työhön tarkoitettua sähkötyökalua.** Sopivaa sähkötyökalua käyttäen työskentelet paremmin ja varmemmin tehoalueella, jolle sähkötyökalu on tarkoitettu.
  - b) **Älä käytä sähkötyökalua, jota ei voida käynnistää ja pysäyttää käynnistyskytkimestä.** Sähkötyökalu, jota ei enää voida käynnistää ja pysäyttää käynnistyskytkimellä, on vaarallinen ja se täytyy korjata.
  - c) **Irrota pistotulppa pistorasiasta, ennen kuin suoritat säätöjä, vaihdat tarvikkeita tai siirrä sähkötyökalun varastoitavaksi.** Nämä turvatoimenpiteet pienentävät sähkötyökalun tahattoman käynnistysriskin.
  - d) **Säilytä sähkötyökalut poissa lasten ulottuvilta, kun niitä ei käytetä. Älä anna sellaisena henkilöiden käyttää sähkötyökalua, jotka eivät tunne sitä tai jotka eivät ole lukeneet tätä käyttöohjetta.** Sähkötyökalut ovat vaarallisia, jos niitä käyttävät kokemattomat henkilöt.
  - e) **Hoida sähkötyökalusi huolella. Tarkista, että liikkuvat osat toimivat moitteettomasti, eivätkä ole puristuksessa sekä, että siinä ei ole murtuneita tai vahingoittuneita osia, jotka saattaisivat vaikuttaa haitallisesti sähkötyökalun toimintaan. Anna korjauttaa mahdolliset viat ennen käyttöönottoa.** Monen tapaturman syyt löytyvät huonosti huolletuista laitteista.
  - f) **Pidä leikkausterävinä ja puhtaina.** Huolessisesti hoidetut leikkaustyökalut, joiden leikkauseunat ovat teräviä, eivät tartu helposti kiinni ja niitä on helpompi hallita.

- g) Käytä sähkötyökaluja, tarvikkeita, vaihtotyökaluja jne. näiden ohjeiden mukaisesti. Ota tällöin huomioon työolosuhteet ja suoritettava toimenpide. Sähkötyökalan käyttö muuhun kuin sille määrättyyn käyttöön, saattaa johtaa vaarallisiin tilanteisiin.

## 5) HUOLTO

- a) Anna koulutettujen ammattihenkilöiden korjata sähkötyökaluja ja hyväksy korjauksien vain alkuperäisiä varaosia. Täten varmistat, että sähkötyökalu säilyy turvallisena.

## PORAVASARAN TURVALLISUUSOHJEET

- Käytä kuulonsuojainta (melu saattaa aiheuttaa kuulon menetystä)
- Käytä työkalun mukana toimitettuja lisäkahvoja (hallinnan menettäminen saattaa johtaa loukkaantumisiin)
- Vältä vaaralliset vahingot, jotka voivat aiheutua nauloista, ruuveista tai muista aineista työstettävissä materiaalissa; poista ne ennen työskentelyn aloittamista
- Pidä johto aina poissa työkalun liikkuvien osien läheisyydestä
- Kiinnitä työstettävä kappale (kiinnittimeen tai puristimeen kiinnitetty työstettävä kappale pysyy tukevammin paikoillaan kuin käsin pidettäessä)
- Kun panet koneen pois, sammuta moottori ja varmista, että kaikki liikkuvat osat ovat pysähtyneet
- Käytä täysin rullaamattomia ja turvallisia jatkejohtoja, joiden kapasiteetti on 16 ampeeria
- Jos huomaat sähköisen tai mekaanisen vian, sammuta kone heti ja irroita liitosjohto pistorasiasta
- SKIL pystyy takaamaan työkalun moitteettoman toiminnan vain, kun käytetään alkuperäisiä tarvikkeita
- Käytä vain tarvikkeita, joiden sallittu kierosluuku on vähintään yhtä suuri kuin laitteen suurin tyhjäkäyntikierosluuku
- Tätä työkalua saavat käyttää vain 16 vuotta täyttäneet henkilöt
- Käytä sopivia etsintälaitteita piilossa olevien syöttöjohtojen paikallistamiseksi, tai käänny paikallisen jakeluylhtiön puoleen (kosketus sähköjohtoon saattaa johtaa tulipaloon ja sähköiskuun; kaasuputken vahingoittaminen saattaa johtaa räjähdyksen; sijoihtoon tunkeutuminen aiheuttaa aineellista vahinkoa tai saattaa johtaa sähköiskuun)
- Tartu sähkötyökaluun ainoastaan eristetyistä pinnoista, tehdesäsi työtä, jossa vaihtotyökalu saattaisi osua piilossa olevaan sähköjohtoon tai sähkötyökalan omaan sähköjohtoon (kosketus jännitteeseen johtoon voi saattaa sähkötyökalan metalliosat jännitteisiksi ja johtaa sähköiskuun)
- Älä koskaan työstä asbestipitoista ainetta (asbestia pidetään karsinogeenisena)
- Materiaaleista, kuten lyijypitoinen maali, jotkut puulajit, mineraalit ja metalli, tuleva pöly voi olla vahingollista (kosketuksiin joutuminen pölyn kanssa tai sen sisään hengittäminen voi aiheuttaa käyttäjälle tai sivustakatsojille allergiareaktioita ja/tai hengitysvaivoja); käytä pölynaamaria ja työskentele pölynpoistolaitteen kanssa, kun sellainen on liitettävissä
- Tietänyttyypiset pölyt on luokiteltu karsinogeenisiksi (kuten tammi- ja pyökkipöly) erityisesti puun käsittelyyn

käytettävien lisäaineiden yhteydessä; käytä pölynaamaria ja työskentele pölynpoistolaitteen kanssa, kun sellainen on liitettävissä

- Noudata maakohtaisia pölyyn liittyviä säätöjä
- Jos sähköjohto vahingoittuu tai katkeaa työn aikana ei johtoa saa koskettaa, vaan pistotulppa on välittömästi irrotettava pistorasiasta
- Älä käytä työkalua, kun johto on vioittunut; vaan toimita se valtuutettuun huoltoilikkeeseen
- Tarkista aina, että syöttöjännite on sama kuin työkalun nimilaatan osoittama jännite (työkulut, joiden jännitetaso on 230V tai 240V, voidaan kytkeä myös 220V tason jännitteeseen)
- Jos poran terä juuttuu odottamatta (aiheuttaen äkillisen, vaarallisen reaktion), katkaise virta työkalusta välittömästi
- Tarkkaile valppaasti juutumisen aiheuttamia seurauksia (varsinkin metalleja porattaessa); käytä aina apukahvaa G ② ja asettaudu tukevaan asentoon
- Irrota aina pistotulppa pistorasiasta, ennen kuin suoritat laitteelle mitään säätöjä tai vaihdat tarviketta

## KÄYTTÖ

- Käynnistys/pysäytys ④
  - Maksiminopeuden säätö ⑤
- Maksiminopeus voidaan säätää portaattomasti alimmasta korkeimpaan säätöpyörästä B (1-6)
- Käyttötilan valinta ⑥
- ! valitse käyttötila vain kun kone ei pyöri ja kun kosketin on irrotettava pistorasiasta
- vapauta kytkin D painamalla painiketta C
  - kierrä ensin kytkin D haluamaasi käyttötilaan niin, että se napsahtaa paikalleen
  - kierrä sitten kytkin E haluamaasi käyttötilaan
  - 1 = normaali poraus/ruuvinkierteitys
  - 2 = iskuporaus
  - 3 = piikkaus
- ! aloita työskentely vasta, kun kytkin D on lukittu
- porattaessa puuta, metallia tai muovivia tai ruuvattaessa on käytettävä siihen kuuluvaa adapteria (kts. Vinkejä)
  - iskumekanisimi aktivoituu kevyellä painamisella kun poranterä on kiinni työstökohteessa
  - iskumekanisimi saavuttaa täyden iskuvoiman lyhyessä ajassa
  - älä paina työkalua liian voimakkaasti; vaan anna työkalun tehdä työ puolestasi
- Kärkien vaihto ⑦
- ! SDS+ tarvikkeet puhdistetaan ja rasvataan kevyesti ennen käyttöä
- vedä lukitusholkki F ② taakse ja aseta tarvikkeet SDS+ istukkaan samalla kun kierrät ja työnnot sitä, kunnes se lukkiutuu; tarvikkeet lukkiutuvat kiinni itsestään
  - lukkiutuminen tarkistetaan vetämällä tarvikkeita ulospäin
  - irrota tarvikkeet vetämällä lukitusholkkia F taaksepäin
- ! SDS+ tarvikkeiden on oltava vapaasti liikuteltavissa, siten syntyy tyhjäkäynnillä pyörintäheittoa, joka porattaessa keskeytyy; tällä ei ole mitään vaikutusta porausreian tarkkuuteen
- ! älä käytä kärkiä/taltoja, joiden varsi on vahingoittunut

- Turvakytkin  
Jos tarvike jumiutuu työstön aikana, kytketty akseli irti käyttövoimasta
- sammuta kone heti
- poista juuttunut tarvike
- käynnistä uudelleen kone
- Poraussyvyyden säätö ⑧
- Koneen pitäminen ja ohjaaminen ⑨
- ! **pidä työkalusta kiinni aina työskentelyn aikana harmaan värisestä kädensija(oista)**
- **käytä aina apukahvaa G ②** (voidaan säätää kuvan osoittamalla tavalla)
- pidä ilmanvaihto-aukkoja H ② peittämättöminä

## VINKKEJÄ

- Käytä oikeantyyppisiä kärkiä ⑩
- ! **käytä vain teräviä kärkiä/faltoja**
- Siihen kuuluvalle adapterilla (SKIL tarvike 2610395660) voidaan porata puuta, metallia ja muovia tai ruuvata ⑪
- adapteri puhdistetaan ja rasvataan kevyesti ennen käyttöä
- vedä lukitusholkki F ② taakse ja aseta adapteri SDS+ istukkaan samalla kun kierrät ja työnnotat sitä, kunnes se lukkiutuu; adapteri lukkiutuu kiinni itsestään
- lukkiutuminen tarkistetaan vetämällä adapteria ulospäin
- aseta kytkin D ② poraustoimintoasentoon (**saadaan käyttää vain virran ollessa katkaistuna työkalusta ja kun kosketin on irrotettuna pistorasiasta**)
- Porattaessa rautametalleja
- poraa ensin pienempi esireikä ja jatka sitten isommalla terällä
- voitele poranterä ajoittain öljyllä
- Kun ruuvi väännetään lähelle puun reunaa, pitää porata esireikä ruuvia varten, jotta estetään puun halkeaminen
- Repimätön poraus puuhun ⑫
- Pölytön poraus seiniin ⑬
- Pölytön poraus kattoihin ⑭
- Poraus laattoihin luiskahtamatta ⑮
- Lisävinkkejä on tarjolla web-osoitteessa [www.skil.com](http://www.skil.com)

## HOITO / HUOLTO

- Tätä työkalua ei ole tarkoitettu ammattikäyttöön
- Älä koskaan itse avaa työkalua ⑯
- Pidä työkalu ja johto puhtaina (varmistaa erityisesti ilma-aukkojen puhtaus H ②)
- ! **irrota liitosjohto aina puhdistuksen ajaksi pistorasiasta**
- Jos sähkötyökalussa, huolellisesta valmistuksesta ja koestusmenettelystä huolimatta esiintyy vikaa, tulee korjaus antaa SKIL sopimushuollon tehtäväksi
- toimita työkalu sitä osiin **purkamatta** lähimpään SKIL-huoltoon (osoitteet ja työkalun huoltokaava ovat tarjolla web-osoitteessa [www.skil.com](http://www.skil.com)) ostotodiste mukaan liitettynä

## YMPÄRISTÖSUOJELU

- **Älä hävitä sähkötyökalua, tarvikkeita tai pakkausta tavallisen kotitalousjätteen mukana** (koskee vain EU-maita)

- vanhoja sähkö- ja elektroniikkalaitteita koskevan EU-direktiivin 2012/19/ETY ja sen maakohtaisten sovellusten mukaisesti käytetyt sähkötyökalut on toimitettava ongelmajätteen keräyspisteeseen ja ohjattava ympäristöystävälliseen kierrätykseen
- symboli ⑰ muistuttaa tästä, kun käytöstä poisto tulee ajankohtaiseksi

## VAATIMUSTEN- MUKAISUUSVAKUUTUS CE

- Todistamme täten ja vastaamme yksin siitä, että tämä tuote on allalueteltujen standardien ja standardoimisasiakirjojen vaatimusten mukainen EN 60745, EN 61000, EN 55014, seuraavien sääntöjen mukaisesti 2004/108/EY, 2006/42/EY, 2011/65/EU
- **Tekninen tiedosto kohdasta:** SKIL Europe BV (PT-SEU/ENG1), 4825 BD Breda, NL

Marijn van der Hoofden Olaf Dijkgraaf  
Operations & Engineering Approval Manager

SKIL Europe BV, 4825 BD Breda, NL

09.12.2013

## MELU/TÄRINÄ

- Mittattuna EN 60745 mukaan työkalun melutaso on 95 dB(A) ja yleensä työkalun äänen voimakkuus on 106 dB(A) (keskihajonta: 3 dB), ja tärinän voimakkuus \* m/s<sup>2</sup> (käsi-käsivarsi metodi; epävarmuus K = 1,5 m/s<sup>2</sup>)
- \* betoniin iskuporattaessa 17,0 m/s<sup>2</sup>
- \* piikkattaessa 16,0 m/s<sup>2</sup>
- Tärinäsaateilytaso on mitattu standardin EN 60745 mukaisen standarditestin mukaisesti; sitä voidaan käyttää verrattaessa yhtä laitetta toiseen sekä alustavana tärinälle altistumisen arviona käytettäessä laitetta manituissa käyttötarkoituksissa
- laitteen käyttö eri käyttötarkoituksiin tai erilaisten tai huonosti ylläpidettyjen lisälaitteiden kanssa voi **lisätä** merkittävästi altistumistasoa
- laitteen ollessa sammuksissa tai kun se on käynnissä, mutta sillä ei tehdä työtä, altistumistaso voi olla huomattavasti **pienempi**
- ! **suojaudu tärinän vaikutuksilta ylläpitämällä laite ja sen lisävarusteet, pitämällä kädet lämpiminä ja järjestämällä työmenetelmät**

E

Martillo perforador

1766

## INTRODUCCIÓN

- La herramienta ha sido diseñada para taladrar con percusión en hormigón, ladrillo y piedra, así como para trabajos ligeros de cincelado; para taladrar sin percusión en madera, metal y materiales sintéticos así como para atornillar deben utilizarse accesorios específicos



- El sistema del martillo en esta herramienta supera los trabajos realizados en hormigón más que cualquier taladro percutor tradicional
- Esta herramienta ha sido especialmente diseñada para ser usada en combinación con todos los accesorios estándar SDS+
- Esta herramienta no está concebida para uso profesional
- Lea y conserve este manual de instrucciones ③

## CARACTERÍSTICAS TÉCNICAS ①

- \* Energía por percusión según EPTA-Procedure 05/2009  
-> valor no disponible todavía

## ELEMENTOS DE LA HERRAMIENTA ②

- A Interruptor para encendido/apagado
- B Rueda para regular la velocidad máxima
- C Botón de desbloqueo
- D Interruptor para seleccionar el modo de operación
- E Interruptor segundo para seleccionar el modo de operación
- F Casquillo de bloqueo
- G Empuñadura auxiliar
- H Ranuras de ventilación
- J Tope de profundidad

## SEGURIDAD

### INSTRUCCIONES GENERALES DE SEGURIDAD

**⚠ ¡ATENCIÓN!** Lea íntegramente estas advertencias de peligro e instrucciones. En caso de no atenderse a las advertencias de peligro e instrucciones siguientes, ello puede ocasionar una descarga eléctrica, un incendio y/o lesión grave. **Guardar todas las advertencias de peligro e instrucciones para futuras consultas.** El término "herramienta eléctrica" empleado en las siguientes advertencias de peligro se refiere a herramientas eléctricas de conexión a la red (con cable de red) y a herramientas eléctricas accionadas por acumulador (o sea, sin cable de red).

#### 1) SEGURIDAD DEL PUESTO DE TRABAJO

- a) **Mantenga limpia y bien iluminada su área de trabajo.** El desorden o una iluminación deficiente en las áreas de trabajo pueden provocar accidentes.
- b) **No utilice la herramienta eléctrica en un entorno con peligro de explosión, en el que se encuentren combustibles líquidos, gases o material en polvo.** Las herramientas eléctricas producen chispas que pueden llegar a inflamar los materiales en polvo o vapores.
- c) **Mantenga alejados a los niños y otras personas de su área de trabajo al emplear la herramienta eléctrica.** Una distracción le puede hacer perder el control sobre la herramienta.

#### 2) SEGURIDAD ELÉCTRICA

- a) **El enchufe de la herramienta debe corresponder a la toma de corriente utilizada. No es admisible modificar el enchufe en forma alguna. No emplear adaptadores en herramientas dotadas con una toma de tierra.** Los enchufes sin modificar adecuados a las

respectivas tomas de corriente reducen el riesgo de una descarga eléctrica.

- b) **Evite que su cuerpo toque partes conectadas a tierra como tuberías, radiadores, cocinas y refrigeradores.** El riesgo a quedar expuesto a una descarga eléctrica es mayor si su cuerpo tiene contacto con tomas de tierra.
- c) **No exponga las herramientas eléctricas a la lluvia o a condiciones de humedad.** Existe el peligro de recibir una descarga eléctrica si penetran líquidos en la herramienta.
- d) **No utilice el cable de red para transportar o colgar la herramienta, ni tire de él para sacar el enchufe de la toma de corriente. Mantenga el cable de red alejado del calor, aceite, esquinas cortantes o piezas móviles.** Los cables de red dañados o enredados pueden provocar una descarga eléctrica.
- e) **Al trabajar con la herramienta eléctrica en la intemperie utilice solamente cables de prolongación homologados para su uso en exteriores.** La utilización de un cable de prolongación adecuado para su uso en exteriores reduce el riesgo de una descarga eléctrica.
- f) **Si el funcionamiento de una herramienta eléctrica en un lugar húmedo fuese inevitable, utilice un cortacircuito de fuga a tierra.** El uso de un cortacircuito de fuga a tierra reduce el riesgo de descarga eléctrica.

#### 3) SEGURIDAD DE PERSONAS

- a) **Esté atento y emplee la herramienta con prudencia. No utilice la herramienta eléctrica si estuviese cansado, ni bajo los efectos de alcohol, drogas o medicamentos.** El no estar atento durante el uso de una herramienta eléctrica puede provocar serias lesiones.
- b) **Utilice un equipo de protección personal y en todo caso unas gafas de protección.** El riesgo a lesionarse se reduce considerablemente si, dependiendo del tipo y la aplicación de la herramienta eléctrica empleada, se utiliza un equipo de protección adecuado como una mascarilla antipolvo, zapatos de seguridad con suela antideslizante, casco, o protectores auditivos.
- c) **Evite una puesta en marcha fortuita. Asegurarse de que la herramienta eléctrica esté desconectada antes de conectarla a la toma de corriente y/o al montar el acumulador, al recogerla, y al transportarla.** Si transporta la herramienta eléctrica sujetándola por el interruptor de conexión/desconexión, o si introduce el enchufe en la toma de corriente con la herramienta eléctrica conectada, ello puede dar lugar a un accidente.
- d) **Retire las herramientas de ajuste o llaves fijas antes de conectar la herramienta eléctrica.** Una herramienta o llave colocada en una pieza rotativa puede producir lesiones graves al accionar la herramienta eléctrica.
- e) **Sea precavido. Trabaje sobre una base firme y mantenga el equilibrio en todo momento.** Ello le permitirá controlar mejor la herramienta eléctrica en caso de presentarse una situación inesperada.
- f) **Lleve puesta una vestimenta de trabajo adecuada. No utilice vestimenta amplia ni joyas. Mantenga su pelo, vestimenta y guantes alejados de las piezas**

**móviles.** La vestimenta suelta, las joyas y el pelo largo se pueden enganchar con las piezas en movimiento.

- g) **Siempre que sea posible utilizar equipos de aspiración o captación de polvo, asegúrese que éstos estén montados y que sean utilizados correctamente.** El empleo de estos equipos reduce los riesgos derivados del polvo.

#### 4) CUIDADO Y UTILIZACIÓN DE HERRAMIENTAS ELÉCTRICAS

- a) **No sobrecargue la herramienta. Use la herramienta prevista para el trabajo a realizar.** Con la herramienta adecuada podrá trabajar mejor y con mayor seguridad dentro del margen de potencia indicado.
- b) **No utilice herramientas con un interruptor defectuoso.** Las herramientas que no se puedan conectar o desconectar son peligrosas y deben repararse.
- c) **Saque el enchufe de la red y/o desmonte el acumulador antes de realizar un ajuste en la herramienta eléctrica, cambiar de accesorio o al guardar la herramienta eléctrica.** Esta medida preventiva reduce el riesgo de conectar accidentalmente la herramienta.
- d) **Guarde las herramientas fuera del alcance de los niños y de las personas que no estén familiarizadas con su uso.** Las herramientas utilizadas por personas inexpertas son peligrosas.
- e) **Cuide sus herramientas con esmero. Controle si funcionan correctamente, sin atascarse, las partes móviles de la herramienta, y si existen partes rotas o deterioradas que pudieran afectar al funcionamiento de la herramienta. Si la herramienta eléctrica estuviese defectuosa haga repararla antes de volver a utilizarla.** Muchos de los accidentes se deben a herramientas con un mantenimiento deficiente.
- f) **Mantenga los útiles limpios y afilados.** Los útiles mantenidos correctamente se dejan guiar y controlar mejor.
- g) **Utilice herramientas eléctricas, accesorios, útiles, etc. de acuerdo con estas instrucciones, teniendo en cuenta las condiciones de trabajo y la tarea a realizar.** El uso de herramientas eléctricas para trabajos diferentes de aquellos para los que han sido concebidas puede resultar peligroso.
- 5) **SERVICIO**
- a) **Únicamente haga reparar su herramienta eléctrica por un profesional, empleando exclusivamente piezas de repuesto originales.** Solamente así se mantiene la seguridad de la herramienta eléctrica.

#### INSTRUCCIONES DE SEGURIDAD PARA MARTILLOS

- **Utilice protectores auditivos** (el ruido intenso puede provocar sordera)
- **Emplee las empuñaduras adicionales suministradas con la herramienta** (la pérdida de control sobre la herramienta puede provocar un accidente)
- Evite los daños que puedan causar los tornillos, clavos y otros objetos sobre la pieza de trabajo; retírelos antes de empezar a trabajar
- Mantenga siempre el cable lejos de las partes móviles de la herramienta

- **Asegure la pieza de trabajo** (una pieza de trabajo fijada con unos dispositivos de sujeción o en un tornillo de banco, se mantiene sujeta de forma mucho más segura que con la mano)
- Ponga atención al guardar su herramienta de que el motor está apagado y las partes móviles están parados
- Utilice cables de extensión seguros y completamente desenrollados con una capacidad de 16 amperios
- En el caso de que se produjera un mal funcionamiento eléctrico o mecánico, apague inmediatamente la herramienta y desconecte el enchufe
- SKIL únicamente puede garantizar un funcionamiento correcto de la herramienta al emplear accesorios originales
- Utilice únicamente accesorios cuyo límite de revoluciones permitido sea como mínimo igual a las revoluciones en vacío máximas de la herramienta
- Esta herramienta no debe utilizarse por personas menores de 16 años
- **Utilice aparatos de detección adecuados para localizar posibles conductores o tuberías ocultas, o consulte a su compañía abastecedora** (el contacto con conductores eléctricos puede provocar una descarga eléctrica e incluso un incendio; al dañar una tubería de gas puede producirse una explosión; la perforación de una tubería de agua pueden causar daños materiales o una descarga eléctrica)
- **Sujete la herramienta eléctrica por las superficies de agarre aisladas al realizar trabajos en los que el accesorio pueda tocar conductores eléctricos ocultos o el propio cable** (el contacto con conductores bajo tensión puede hacer que las partes metálicas de la herramienta eléctrica le provoquen una descarga eléctrica)
- **No trabaje materiales que contengan amianto** (el amianto es cancerígeno)
- El polvo del material, como por ejemplo la pintura que contiene plomo, algunas especies de madera, minerales y metal podrían ser dañinos (el contacto o inhalación del polvo podría producir reacciones alérgicas y/o trastornos respiratorios al operador u otras personas cerca); **utilice una máscara contra el polvo y trabaje con un dispositivo de extracción de polvo cuando lo conecte**
- Ciertos tipos de polvo están catalogados como cancerígenos (por ejemplo el polvo de roble y de haya) especialmente junto con aditivos para el acondicionamiento de la madera; **utilice una máscara contra el polvo y trabaje con un dispositivo de extracción de polvo cuando lo conecte**
- Siga la normativa nacional en cuanto a extracción de polvo, en función de los materiales que vayan a ser utilizados
- Si llega a dañarse o cortarse el cable eléctrico durante el trabajo, no tocar el cable, sino extraer inmediatamente el enchufe de la red
- No utilizar la herramienta cuando el cable esté dañado; hágalo cambiar por una persona calificada
- Compruebe siempre que la tensión de alimentación es la misma que la indicada en la placa de características de la herramienta (las herramientas de 230V o 240V pueden conectarse también a 220V)

- Si la broca se bloquea inesperadamente (causando una brusca y peligrosa reacción), desconectar la herramienta inmediatamente
- Tenga cuidado con las fuerzas resultantes del bloqueo (sobre todo al taladrar metales); **utilizar siempre el puño auxiliar G ②** y adopte una posición estable
- **Desenchufar siempre la herramienta antes de realizar cualquier ajuste o cambiar algún accesorio**

## USO

- Encendido/apagado ④
- Control de la velocidad máxima ⑤  
Con la rueda B puede regularse, sin escalonamientos, la velocidad máxima desde la posición más baja hasta la más alta (1-6)
- Selección del modo de operación ⑥  
**! seleccione sólo el modo de operación cuando la herramienta está apagada y el enchufe desconectado**
  - pulse el botón C para desbloquear el interruptor D
  - en primer lugar gire el interruptor D al modo de operación deseado hasta que quede bloqueado
  - a continuación gire el interruptor E al modo de operación deseado  
1 = taladrado sin percusión/atornillado  
2 = taladrado con percusión  
3 = cincelado
- **! comience el trabajo sólo cuando el interruptor D esté bloqueado**
  - para taladrar sin percusión en madera, metal y material sintético así como para atornillar, debe utilizarse el adaptador correspondiente (véase: Consejos de aplicación)
  - el mecanismo del martillo se pone en marcha si usted empuja suavemente la herramienta cuando está taladrando
  - el mecanismo del martillo tarda poco tiempo en alcanzar una potencia total de impacto
  - no ejerza demasiada presión en la herramienta; deje que la herramienta haga su trabajo
- Cambio de brocas ⑦  
**! limpiar y engrasar levemente el accesorio SDS+ antes de su montaje**
  - tirar hacia atrás el casquillo de bloqueo F ② e introducir el accesorio en el portabrocas SDS+ girándolo y empujándolo hasta que encastre; el accesorio se bloquea automáticamente
  - tirar del accesorio para cercionarse de que esté bloqueado
  - retirar el accesorio tirando hacia atrás el casquillo de bloqueo F
- **! el accesorio SDS+ deberá poder moverse libremente, lo que al funcionar en vacío resulta en una desviación de la marcha circular; al taladrar el accesorio se centra automáticamente sin afectar la exactitud del taladro**
- **! no utilice brocas/cinceles con un mago deteriorado**
- Embrague de seguridad  
En caso de bloqueo del accesorio, se interrumpe el accionamiento del eje
  - parar inmediatamente la herramienta

- retirar el accesorio bloqueado
- poner en marcha la herramienta una vez más
- Regulación de la profundidad de perforación ⑧
- Sujeción y manejo de la herramienta ⑨  
**! durante el trabajo, sujete siempre la herramienta por la(s) zona(s) de empuñadura de color gris**
  - **utilizar siempre el puño auxiliar G ②** (puede ser ajustado de la forma ilustrada)
  - mantenga las ranuras de ventilación H ② descubiertas

## CONSEJOS DE APLICACIÓN

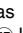
- Utilice las brocas adecuadas ⑩  
**! utilice únicamente brocas/cinceles afilados**
- Para taladrar sin percusión en madera, metal y material sintético así como para atornillar utilizar el adaptador correspondiente (SKIL accesorio 2610395660) ⑪
  - limpiar y engrasar levemente el adaptador antes de su montaje
  - tirar hacia atrás el casquillo de bloqueo F ② e introducir el adaptador en el portabrocas SDS+ girándolo y empujándolo hasta que encastre; el adaptador se bloquea automáticamente
  - tirar del adaptador para cercionarse de que esté bloqueado
  - coloque el interruptor D ② en la función de taladro normal (**accionar sólo cuando la herramienta está apagada y el enchufe desconectado**)
- Al taladrar metales ferrosos
  - pretaladre antes un agujero pequeño
  - lubrique de cuando en cuando la broca con aceite
- Taladrar de antemano un agujero para poder atornillar en/cerca o al lado de la madera para prevenir la rotura de ésta
- Taladrar sin virutas en madera ⑫
- Taladrado sin polvo en paredes ⑬
- Taladrado sin polvo en techos ⑭
- Taladrado en azulejos sin resbalar ⑮
- Para más consejos vea [www.skil.com](http://www.skil.com)

## MANTENIMIENTO / SERVICIO

- Esta herramienta no está concebida para uso profesional
- No abra nunca la herramienta ⑯
- Mantenga limpio el cable eléctrico y la herramienta (sobre todo las ranuras de ventilación H ②)  
**! desenchufar la herramienta antes de limpiar**
- Si a pesar de los esmerados procesos de fabricación y control, la herramienta llegase a averiarse, la reparación deberá encargarse a un servicio técnico autorizado para herramientas eléctricas SKIL
  - envíe la herramienta **sin desmontar** junto con una prueba de su compra a su distribuidor o a la estación de servicio más cercana de SKIL (los nombres así como el despiece de piezas de la herramienta figuran en [www.skil.com](http://www.skil.com))

## AMBIENTE

- **No deseche las herramientas eléctricas, los accesorios y embalajes junto con los residuos domésticos** (sólo para países de la Unión Europea)

- de conformidade com a Directiva Europeia 2012/19/CE sobre resíduos de aparatos eléctricos y electrónicos y su aplicación de acuerdo con la legislación nacional, las herramientas eléctricas cuya vida útil haya llegado a su fin se deberán recoger por separado y trasladar a una planta de reciclaje que cumpla con las exigencias ecológicas
- símbolo  llamará su atención en caso de necesidad de tirarlas

## DECLARACIÓN DE CONFORMIDAD CE

- Declaramos bajo nuestra sola responsabilidad que este producto está en conformidad con las normas o documentos normalizados siguientes: EN 60745, EN 61000, EN 55014, de acuerdo con las regulaciones 2004/108/CE, 2006/42/CE, 2011/65/UE
- **Expediente técnico en:** SKIL Europe BV (PT-SEU/ENG1), 4825 BD Breda, NL

Marijn van der Hoofden  
Operations & Engineering

Olaf Dijkgraaf  
Approval Manager




SKIL Europe BV, 4825 BD Breda, NL

09.12.2013

## RUIDOS/VIBRACIONES

- Medido según EN 60745 el nivel de la presión acústica de esta herramienta se eleva a 95 dB(A) y el nivel de la potencia acústica a 106 dB(A) (desviación estándar: 3 dB), y la vibración a  $\star$  m/s<sup>2</sup> (método brazo-mano; incertidumbre K = 1,5 m/s<sup>2</sup>)
    - $\star$  al taladrar con martillo en hormigón 17,0 m/s<sup>2</sup>
    - $\star$  al cincelar 16,0 m/s<sup>2</sup>
  - El nivel de emisión de vibraciones ha sido medido según una prueba estándar proporcionada en EN 60745; puede utilizarse para comparar una herramienta con otra y como valoración preliminar de la exposición a las vibraciones al utilizar la herramienta con las aplicaciones mencionadas
    - al utilizarla para distintas aplicaciones o con accesorios diferentes o con un mantenimiento deficiente, podría **augmentar** de forma notable el nivel de exposición
    - en las ocasiones en que se apaga la herramienta o cuando está funcionando pero no está realizando ningún trabajo, se podría **reducir** el nivel de exposición de forma importante
- ! protéjase contra los efectos de la vibración realizando el mantenimiento de la herramienta y sus accesorios, manteniendo sus manos calientes y organizando sus patrones de trabajo**



P

## Martelo perfurador

1766

### INTRODUÇÃO

- Esta ferramenta foi concebida para furar com percussão em betão, tijolo e pedra assim como para trabalhos ligeiros de cinzelamento; para furar em madeira, metal e plástico, assim como para aparafusar, devem utilizar-se acessórios específicos
- O sistema de martelo nesta ferramenta ultrapassa qualquer berbequim de percussão tradicional quando perfura em betão
- Esta ferramenta está também desenhada para uso em conjunto com todos os acessórios SDS+ standartes
- Esta ferramenta não se destina a utilização profissional
- Leia e guarde este manual de instruções <sup>(3)</sup>

### ESPECIFICAÇÕES TÉCNICAS <sup>(1)</sup>

- $\star$ ) Força de impacto individual conforme EPTA-Procedure 05/2009 -> valor ainda não disponível

### ELEMENTOS DA FERRAMENTA <sup>(2)</sup>

- A** Interruptor para ligar/desligar
- B** Roda para controle da velocidade máxima
- C** Botão de desbloqueio
- D** Comutador para seleccionar o modo de funcionamento
- E** Comutador secundário para seleccionar o modo de funcionamento
- F** Casquilho de bloqueio
- G** Punho auxiliar
- H** Aberturas de ventilação
- J** Regulação de profundidade

## SEGURANÇA

### INSTRUÇÕES GERAIS DE SEGURANÇA

**⚠ ATENÇÃO! Devem ser lidas todas as indicações de advertência e todas as instruções.** O desrespeito das advertências e instruções apresentadas abaixo pode causar choque eléctrico, incêndio e/ou graves lesões.  
**Guarde bem todas as advertências e instruções para futura referência.** O termo "ferramenta eléctrica" utilizado a seguir nas indicações de advertência, refere-se a ferramentas eléctricas operadas com corrente de rede (com cabo de rede) e a ferramentas eléctricas operadas com acumulador (sem cabo de rede).

#### 1) SEGURANÇA DA ÁREA DE TRABALHO

- a) **Mantenha a sua área de trabalho limpa e arrumada.** Desordem ou áreas de trabalho com fraca iluminação podem causar acidentes.
- b) **Não trabalhar com a ferramenta eléctrica em áreas com risco de explosão, nas quais se encontrem líquidos, gases ou pós inflamáveis.** Ferramentas eléctricas produzem faíscas que podem provocar a ignição de pó e vapores.
- c) **Mantenha crianças e outras pessoas afastadas da ferramenta eléctrica durante o trabalho com a**

ferramenta. Distrações podem causar a falta de controle sobre o aparelho.

## 2) SEGURANÇA ELÉCTRICA

- a) **A ficha da ferramentas eléctricas devem caber na tomada. A ficha não deve ser modificada de modo algum. Não utilize quaisquer fichas de adaptação junto com ferramentas eléctricas ligadas à terra.** Fichas sem modificações e tomadas adequadas reduzem o risco de choques eléctricos.
- b) **Evite que o corpo entre em contacto com superfícies ligadas à terra, como por exemplo tubos, radiadores, fogões e geladeiras.** Há um risco elevado de choques eléctricos, caso o corpo for ligado à terra.
- c) **A ferramenta eléctrica não deve ser exposta à chuva nem humidade.** A penetração de água na ferramenta eléctrica aumenta o risco de choques eléctricos.
- d) **O cabo do aparelho não deve ser utilizado para o transporte, para pendurar o aparelho, nem para puxar a ficha da tomada. Mantenha o cabo afastado de calor, óleo, cantos afiados ou partes em movimento do aparelho.** Cabos danificados ou torcidos aumentam o risco de choques eléctricos.
- e) **Ao trabalhar com a ferramenta eléctrica ao ar livre, use um cabo de extensão apropriado para áreas externas.** O uso de um cabo apropriado para áreas externas reduz o risco de choques eléctricos.
- f) **Se não for possível evitar o funcionamento da ferramenta eléctrica em áreas húmidas, deverá ser utilizado uma disjuntor de corrente de avaria.** A utilização de um disjuntor de corrente de avaria reduz o risco de um choque eléctrico.

## 3) SEGURANÇA DE PESSOAS

- a) **Esteja alerta, observe o que está a fazer, e tenha prudência ao trabalhar com a a ferramenta eléctrica. Não use a ferramenta eléctrica se estiver fatigado ou sob a influência de drogas, álcool ou medicamentos.** Um momento de falta de atenção durante a operação da ferramenta eléctrica pode causar graves lesões.
- b) **Utilizar equipamento de protecção pessoal sempre óculos de protecção.** A utilização de equipamento de protecção pessoal, como máscara de protecção contra pó, sapatos de segurança antiderrapantes, capacete de segurança ou protecção auricular, de acordo com o tipo e aplicação da ferramenta eléctrica, reduz o risco de lesões.
- c) **Evitar uma colocação em funcionamento involuntária. Assegure se de que a ferramenta eléctrica esteja desligada, antes de conectá-la à alimentação de rede e/ou ao acumulador, antes de levantá-la ou de transportá-la.** Se tiver o dedo no interruptor ao transportar a ferramenta eléctrica ou se o aparelho for conectado à alimentação de rede enquanto estiver ligado, poderão ocorrer acidentes.
- d) **Remover chaves de ajustes ou chaves de fenda, antes de ligar a ferramenta eléctrica.** Uma chave de fenda ou chave de ajuste que se encontre numa parte móvel do aparelho, pode levar a lesões.
- e) **Não se sobrestime. Mantenha uma posição firme e mantenha sempre o equilíbrio.** Desta forma poderá ser mais fácil controlar o aparelho em situações inesperadas.

- f) **Use roupa apropriada. Não use roupa larga ou jóias. Mantenha o cabelo, roupa e luvas afastadas de partes em movimento.** Roupas largas, jóias ou cabelos longos podem ser agarradas por partes em movimento.
  - g) **Se for prevista a montagem de dispositivos de aspiração de pó e de dispositivos de recolha, assegure-se de que estão conectados e que sejam utilizados de forma correcta.** A utilização de uma aspiração de pó pode reduzir o perigo devido ao pó.
- ## 4) USO E TRATAMENTO DE FERRAMENTAS ELÉCTRICAS
- a) **Não sobrecarregue a ferramenta eléctrica. Use para o seu trabalho a ferramenta eléctrica correcta.** A ferramenta correcta realizará o trabalho de forma melhor e mais segura dentro da faixa de potência indicada.
  - b) **Não utilize a ferramenta eléctrica se o interruptor não puder ser ligado nem desligado.** Qualquer ferramenta eléctrica que não possa ser controlada através do interruptor de ligar-desligar, é perigosa e deve ser reparada.
  - c) **Puxar a ficha da tomada e/ou remover o acumulador antes de executar ajustes na ferramenta, de substituir acessórios ou de guardar a ferramenta.** Esta medida de segurança evita que a ferramenta eléctrica seja ligada acidentalmente.
  - d) **Guarde ferramentas eléctricas que não estiverem sendo utilizadas, for a do alcance de crianças. Não permita que o aparelho seja utilizado por pessoas não familiarizadas com o mesmo ou que não tenham lido estas instruções.** Ferramentas eléctricas são perigosas nas mãos de pessoas sem treinamento.
  - e) **Trate a sua ferramenta eléctrica com cuidado. Verifique se as partes móveis do aparelho funcionam perfeitamente e não emperram, se há peças quebradas ou danificadas, que possam influenciar o funcionamento do aparelho. Peças danificadas devem ser reparadas antes da utilização do aparelho.** Muitos acidentes tem como causa uma manutenção insuficiente das ferramentas eléctricas.
  - f) **Mantenha as ferramentas de corte sempre afiadas e limpas.** Ferramentas de cortes devidamente tratadas, com cantos afiados travam com menos frequência e podem ser controladas com maior facilidade.
  - g) **Use a ferramenta eléctrica, os acessórios os bits da ferramenta etc., de acordo com estas instruções. Considere também as condições de trabalho e o trabalho a ser efectuado.** A utilização da ferramenta eléctrica para outros fins que os previstos, pode resultar em situações perigosas.

- ## 5) SERVIÇO
- a) **A sua ferramenta eléctrica só deve ser reparada por pessoal qualificado e só devem ser colocadas peças sobressalentes originais.** Desta forma é assegurada a segurança da ferramenta eléctrica.

## 5) SERVIÇO

- a) **A sua ferramenta eléctrica só deve ser reparada por pessoal qualificado e só devem ser colocadas peças sobressalentes originais.** Desta forma é assegurada a segurança da ferramenta eléctrica.

## INSTRUÇÕES DE SEGURANÇA PARA MARTELOS

- **Use protecção auricular** (ruídos podem provocar a surdez)
- **Utilize os punhos adicionais fornecidos com a ferramenta** (a perda de controle pode provocar lesões)

- Evite danificar a ferramenta em superfícies com pregos ou parafusos; remova-os antes de começar a trabalhar
- Mantenha sempre o fio afastado das peças rotativas da ferramenta
- **Fixe a peça de trabalho** (uma peça de trabalho fixa com dispositivos de fixação ou num torno fica melhor fixa do que manualmente)
- Quando guardar a ferramenta, deverá certificar-se que o motor esta devidamente parado assim como todas as peças rotativas
- Utilize extensões completamente desenroladas e seguras, com uma capacidade de 16 Amp
- Em caso de anomalias eléctricas ou mecánicas, desligue imediatamente a ferramenta e tire a ficha da tomada
- A SKIL só pode garantir um funcionamento perfeito da ferramenta, quando utilizada com os acessórios originais
- Utilize apenas acessórios com um número de rotação admissível no mínimo tão alto como o mais alto número de rotação em vazio da ferramenta
- Esta ferramenta não deve ser utilizada por pessoas menores de 16 anos
- **Utilizar detectores apropriados para detectar tubos e cabos de alimentação escondidos, ou consulte a firma de alimentação local** (o contacto com um cabo eléctrico pode levar a incêndio e choque eléctrico; a danificação de um cano de gás pode levar à explosão; a penetração de uma tubulação de água provoca danos materiais ou pode provocar um choque eléctrico)
- **Segurar a ferramenta eléctrica pelas superfícies de punho isoladas ao executar trabalhos durante os quais o acessório possa atingir cabos eléctricos escondidos ou o próprio cabo de rede** (o contacto com um cabo sob tensão também pode colocar sob tensão as peças metálicas do aparelho e levar a um choque eléctrico)
- **Não processar material que contenha asbesto** (asbesto é considerado como sendo cancerígeno)
- O pó do material, como tinta com chumbo, algumas espécies de madeira, minerais e metais, pode ser prejudicial (contacto ou inalação do pó pode provocar reacções alérgicas e/ou doenças respiratórias ao operador ou às pessoas presentes); **use máscara respiratória e trabalhe com um dispositivo de extracção de pó quando ligado a**
- Determinados tipos de pó são classificados como substâncias cancerígenas (como pó de carvalho e faia), em especial, juntamente com aditivos para acondicionamento da madeira; **use máscara respiratória e trabalhe com um dispositivo de extracção de pó quando ligado a**
- Siga o regulamento nacional quanto a extração de pó, em função dos materiais que vão ser utilizados
- Caso o fio for danificado ou cortado durante o trabalho, não toque no fio, mas tire imediatamente a ficha da tomada
- Não utilizar ferramenta caso o fio esteja danificado; mandando-o substituir por pessoal qualificado
- Certifique-se sempre de que a tensão de alimentação está de acordo com a tensão indicada na placa de identificação da ferramenta (ferramentas com a indicação de 230V ou 240V também podem ser ligadas a uma fonte de 220V)

- Se a broca bloquear repentinamente (provocando uma reacção brusca e perigosa), desligue imediatamente a ferramenta
- Tenha especial atenção com eventuais contra-golpes que possam ocorrer se o acessório bloquear (especialmente quando perfurar metais); **utilize sempre o punho lateral G ②** e mantenha uma posição firme
- **Desligue sempre a ficha da tomada antes de proceder a qualquer ajustamento ou troca de acessório**

## MANUSEAMENTO

- Ligar/desligar ④
- Controle da velocidade máxima ⑤  
Com a roda B pode regular-se gradualmente a velocidade máxima da baixa até alta (1-6)
- Seleção do modo de funcionamento ⑥
  - ! **selecione o modo de funcionamento apenas com a ferramenta desligada e a ficha fora da tomada**
  - prima o botão C para desbloquear o interruptor D
  - comece rodando o interruptor D para o modo de funcionamento pretendido até ouvir um estalido
  - em seguida rode o interruptor E para o modo de funcionamento pretendido
    - 1 = perfuração normal/aparafusamento
    - 2 = perfuração com martelo
    - 3 = cinzelamento
  - ! **só comece a trabalhar quando o interruptor D estiver bloqueado**
  - para furar em madeira, metal e plástico, assim como para aparafusar deve usar-se o correspondente adaptador (veja: Conselhos de aplicação)
  - o mecanismo do martelo activa-se por uma pequena pressão sobre a ferramenta, quando a broca estiver em contacto com a peça a trabalhar
  - o mecanismo do martelo demora um curto período de tempo para atingir a potência total de impacto
  - não exerça demasiada pressão na ferramenta; deixe a ferramenta trabalhar espontaneamente
- Substituição de pontas ⑦
  - ! **antes de colocar o acessório SDS+ é necessário limpá-lo e lubrificá-lo levemente**
  - puxar para trás o casquilho de bloqueio F ② e insira o acessório na bucha SDS+ enquanto o roda e empurra até engatar; o acessório fica automaticamente travado
  - puxar o acessório para verificar se está bem travado
  - retirar o acessório puxando para trás o casquilho de bloqueio F
  - ! **o acessório SDS+ tem de ser livremente móvel por que assim surge durante a rotação em vazio um desvio na rotação; porém o acessório automaticamente centra durante a perfuração sem haver quaisquer consequências sobre a precisão de perfuração**
  - ! **não utilize pontas/cinzéis com encabadouros danificados**
- Embraiagem de segurança  
Em caso de bloqueio do acessório, o accionamento do veio será interrompido
  - desligar imediatamente a ferramenta
  - retirar o acessório bloqueado

- ligue a ferramenta novamente
- Regulação da profundidade de perfuração ⑧
- Segurar e guiar a ferramenta ⑨
- ! **durante o trabalho, segure sempre a ferramenta na(s) área(s) de fixação cinzenta(s)**
- **utilize sempre o punho lateral G ②** (pode ser ajustado conforme ilustrado)
- mantenha as aberturas de ventilação H ② destapadas

## CONSELHOS DE APLICAÇÃO

- Utilize as pontas apropriadas ⑩
- ! **utilize apenas pontas/cinzéis com pontas afiadas**
- Para furar em madeira, metal e plástico, assim como para aparafusar utilizar o correspondente adaptador (SKIL acessório 2610395660) ⑪
- antes de colocar o adaptador é necessário limpá-lo e lubrificá-lo levemente
- puxar para trás o casquilho de bloqueio F ② e insira o adaptador na bucha SDS+ enquanto o roda e empurra até engatar; o adaptador fica automaticamente travado
- puxar o adaptador para verificar se está bem travado
- coloque o interruptor D ② na função de perfuração normal (**acionar apenas com a ferramenta desligada e a ficha fora da tomada**)
- Quando perfurar metais ferrosos
  - faça primeiro um pequeno furo se necessitar abrir um furo maior
  - lubrifique frequentemente a broca com óleo adequado
- Quando apertar um parafuso num rebordo de madeira, ou perto dele, deverá primeiro perfurar, a fim de evitar que a madeira estale
- Perfuração anti estilhaço em madeira ⑫
- Perfuração sem pó em paredes ⑬
- Perfuração sem pó em tectos ⑭
- Perfuração em cerâmica sem derrapagens ⑮
- Para mais sugestões consulte [www.skil.com](http://www.skil.com)

## MANUTENÇÃO / SERVIÇO

- Esta ferramenta não se destina a utilização profissional
- Nunca abra você mesmo a ferramenta ⑯
- Mantenha a ferramenta e o fio sempre limpos (especialmente as ranhuras de respiração H ②)
- ! **desligar a ferramenta da fonte de corrente antes de limpar**
- Se a ferramenta falhar apesar de cuidadosos processos de fabricação e de teste, a reparação deverá ser executada por uma oficina de serviço autorizada para ferramentas eléctricas SKIL
- envie a ferramenta **sem desmontar**, juntamente com a prova de compra, para o seu revendedor ou para o centro de assistência SKIL mais próximo (os endereços assim como a mapa de peças da ferramenta estão mencionados no [www.skil.com](http://www.skil.com))

## AMBIENTE

- **Não deite ferramentas eléctricas, acessórios e embalagem no lixo doméstico** (apenas para países da UE)
- de acordo com a directiva europeia 2012/19/CE sobre ferramentas eléctricas e electrónicas usadas e a transposição para as leis nacionais, as ferramentas eléctricas usadas devem ser recolhidas em separado e encaminhadas a uma instalação de reciclagem dos materiais ecológica
- símbolo ⑰ lhe avisará em caso de necessidade de arranja-las

## DECLARAÇÃO DE CONFORMIDADE CE

- Declaramos sob nossa exclusiva responsabilidade que este producto cumple as seguintes normas ou documentos normativos: EN 60745, EN 61000, EN 55014, conforme as disposições das directivas 2004/108/CE, 2006/42/CE, 2011/65/UE
- **Processo técnico em:** SKIL Europe BV (PT-SEU/ENG1), 4825 BD Breda, NL

Marijn van der Hoofden      Olaf Dijkgraaf  
Operations & Engineering      Approval Manager




SKIL Europe BV, 4825 BD Breda, NL

09.12.2013

## RUÍDO/VIBRAÇÕES

- Medido segundo EN 60745 o nível de pressão acústica desta ferramenta é 95 dB(A) e o nível de potência acústica 106 dB(A) (espaço de erro: 3 dB), e a vibração
  - \*  $m/s^2$  (método braço-mão; incerteza  $K = 1,5 m/s^2$ )
  - \* ao perfurar com martelo em betão 17,0  $m/s^2$
  - \* ao cincelar 16,0  $m/s^2$
- O nível de emissão de vibrações foi medido de acordo com um teste normalizado fornecido na EN 60745; pode ser utilizado para comparar uma ferramenta com outra e como uma avaliação preliminar de exposição à vibração quando utilizar a ferramenta para as aplicações mencionadas
  - utilizar a ferramenta para diferentes aplicações ou com acessórios diferentes ou mantidos deficientemente, pode **umentar** significativamente o nível de exposição
  - o número de vezes que a ferramenta é desligada ou quando estiver a trabalhar sem fazer nada, pode **reduzir** significativamente o nível de exposição
- ! **proteja-se contra os efeitos da vibração, mantendo a ferramenta e os acessórios, mantendo as mãos quentes e organizando os padrões de trabalho**

## Martello perforatore

1766

### INTRODUZIONE

- L'utensile è idoneo così per forare a percussione nel calcestruzzo, nei laterizi e nella pietra come per lavori leggeri di scalpellatura; per forare nel legno, metallo e materie plastiche e per avvitare è necessario applicare un accessorio specifico
- Il sistema di percussione di quest'utensile supera qualsiasi altro trapano a percussione nella perforazione del calcestruzzo
- Quest'utensile è progettato per l'uso in combinazione con tutti gli accessori SDS+
- Questo utensile non è inteso per un uso professionale
- Leggete e conservate questo manuale di istruzione ③

### CARATTERISTICHE TECNICHE ①

- \* Forza colpo singolo corrispondente alla procedura EPTA 05/2009 -> valore non ancora disponibile

### ELEMENTI UTENSILE ②

- A Interruttore di accensione/spengimento
- B Rotella di controllo della velocità massima
- C Pulsante di sblocco
- D Commutatore per la selezione della modalità di funzionamento
- E Secondo commutatore per la selezione della modalità di funzionamento
- F Bussola di bloccaggio
- G Impugnatura ausiliaria
- H Feritoie di ventilazione
- J Asta di profondità

### SICUREZZA

#### ISTRUZIONI GENERALI DI SICUREZZA

**⚠ ATTENZIONE! Leggere tutte le avvertenze di pericolo e le istruzioni operative.** In caso di mancato rispetto delle avvertenze di pericolo e delle istruzioni operative si potrà creare il pericolo di scosse elettriche, incendi e/o incidenti gravi. **Conservare tutte le avvertenze di pericolo e le istruzioni operative per ogni esigenza futura.** Il termine "elettroutensile" utilizzato nelle avvertenze di pericolo si riferisce ad utensili elettrici alimentati dalla rete (con linea di allacciamento) ed ad utensili elettrici alimentati a batteria (senza linea di allacciamento).

#### 1) SICUREZZA DELLA POSTAZIONE DI LAVORO

- a) **Mantenere pulito ed ordinato il posto di lavoro.** Il disordine o le zone di lavoro non illuminate possono essere fonte di incidenti.
- b) **Evitare d'impiegare l'utensile in ambienti soggetti al rischio di esplosioni nei quali si trovino liquidi, gas o polveri infiammabili.** Gli utensili elettrici producono scintille che possono far infiammare la polvere o i gas.
- c) **Mantenere lontani i bambini ed altre persone durante l'impiego dell'utensile elettrico.** Eventuali

distrazioni potranno comportare la perdita del controllo sull'utensile.

#### 2) SICUREZZA ELETTRICA

- a) **La spina per la presa di corrente dovrà essere adatta alla presa. Evitare assolutamente di apportare modifiche alla spina. Non impiegare spine adattatrici assieme ad utensili con collegamento a terra.** Le spine non modificate e le prese adatte allo scopo riducono il rischio di scosse elettriche.
- b) **Evitare il contatto fisico con superfici collegate a terra, come tubi, riscaldamenti, cucine elettriche e frigoriferi.** Sussiste un maggior rischio di scosse elettriche nel momento in cui il corpo è messo a massa.
- c) **Custodire l'utensile al riparo dalla pioggia o dall'umidità.** L'eventuale infiltrazione di acqua in un utensile elettrico va ad aumentare il rischio d'insorgenza di scosse elettriche.
- d) **Non usare il cavo per scopi diversi da quelli previsti al fine di trasportare o appendere l'utensile, oppure di togliere la spina dalla presa di corrente. Mantenere l'utensile al riparo da fonti di calore, dall'olio, dagli spigoli o da pezzi in movimento.** I cavi danneggiati o aggrovigliati aumentano il rischio d'insorgenza di scosse elettriche.
- e) **Qualora si voglia usare l'utensile all'aperto, impiegare solo ed esclusivamente cavi di prolunga omologati per l'impiego all'esterno.** L'uso di un cavo di prolunga omologato per l'impiego all'esterno riduce il rischio d'insorgenza di scosse elettriche.
- f) **Qualora non fosse possibile evitare di utilizzare l'utensile in ambiente umido, utilizzare un interruttore di messa a terra.** L'uso di un interruttore di messa a terra riduce il rischio di una scossa elettrica.

#### 3) SICUREZZA DELLE PERSONE

- a) **È importante concentrarsi su ciò che si sta facendo e a maneggiare con giudizio l'utensile durante le operazioni di lavoro. Non utilizzare l'utensile in caso di stanchezza o sotto l'effetto di droghe, bevande alcoliche e medicinali.** Un attimo di distrazione durante l'uso dell'utensile potrà causare lesioni gravi.
- b) **Indossare sempre equipaggiamento protettivo individuale. Usare sempre protezioni per gli occhi.** Se si avrà cura d'indossare equipaggiamento protettivo individuale come la maschera antipolvere, la calzatura antidrucciolevole di sicurezza, il casco protettivo o la protezione dell'udito, a seconda dell'impiego previsto per l'utensile elettrico, si potrà ridurre il rischio di ferite.
- c) **Evitare l'accensione involontaria dell'utensile. Prima di collegarlo alla rete di alimentazione elettrica e/o alla batteria ricaricabile, prima di prenderlo oppure prima di iniziare a trasportarlo, assicurarsi che l'utensile sia spento.** Tenendo il dito sopra l'interruttore mentre si trasporta l'utensile oppure collegandolo all'alimentazione di corrente con l'interruttore inserito, si vengono a creare situazioni pericolose in cui possono verificarsi seri incidenti.
- d) **Togliere gli attrezzi di regolazione o la chiave inglese prima di accendere l'utensile.** Un utensile o una chiave inglese che si trovino in una parte dell'utensile in rotazione potranno causare lesioni.
- e) **È importante non sopravvalutarsi. Avere cura di mettersi in posizione sicura e di mantenere**



**l'equilibrio.** In tale maniera sarà possibile controllare meglio l'utensile in situazioni inaspettate.

- f) **Indossare vestiti adeguati. Evitare di indossare vestiti lenti o gioielli. Tenere i capelli, i vestiti ed i guanti lontani da pezzi in movimento.** Vestiti lenti, gioielli o capelli lunghi potranno impigliarsi in pezzi in movimento.
- g) **Se sussiste la possibilità di montare dispositivi di aspirazione o di captazione della polvere, assicurarsi che gli stessi siano stati installati correttamente e vengano utilizzati senza errori.** L'utilizzo di un'aspirazione polvere può ridurre lo svilupparsi di situazioni pericolose dovute alla polvere.
- 4) MANEGGIO ED IMPIEGO ACCURATO DI UTENSILI ELETTRICI**
- a) **Non sovraccaricare l'utensile. Impiegare l'utensile elettrico adatto per sbrigare il lavoro.** Utilizzando l'utensile elettrico adatto si potrà lavorare meglio e con maggior sicurezza nell'ambito della gamma di potenza indicata.
- b) **Non utilizzare utensili elettrici con interruttori difettosi.** Un utensile elettrico che non si può più accendere o spegnere è pericoloso e dovrà essere riparato.
- c) **Prima di procedere ad operazioni di regolazione sull'utensile, prima di sostituire parti accessorie oppure prima di posare l'utensile al termine di un lavoro, estrarre sempre la spina dalla presa della corrente e/o estrarre la batteria ricaricabile.** Tale precauzione eviterà che l'utensile possa essere messo in funzione inavvertitamente.
- d) **Custodire gli utensili elettrici non utilizzati al di fuori della portata dei bambini. Non fare usare l'utensile a persone che non sono abituate ad usarlo o che non abbiano letto le presenti istruzioni.** Gli utensili elettrici sono pericolosi se utilizzati da persone inesperte.
- e) **Effettuare accuratamente la manutenzione dell'utensile. Verificare che le parti mobili dell'utensile funzionino perfettamente e non s'inceppino, che non ci siano pezzi rotti o danneggiati al punto tale da limitare la funzione dell'utensile stesso. Far riparare le parti danneggiate prima d'impiegare l'utensile.** Numerosi incidenti vengono causati da utensili elettrici la cui manutenzione è stata effettuata poco accuratamente.
- f) **Mantenere affilati e puliti gli utensili da taglio.** Gli utensili da taglio curati con particolare attenzione e con taglienti affilati s'inceppano meno frequentemente e sono più facili da condurre.
- g) **Utilizzare utensili elettrici, accessori, attrezzi, ecc. in conformità con le presenti istruzioni. Osservare le condizioni di lavoro ed il lavoro da eseguirsi durante l'impiego.** L'impiego di utensili elettrici per usi diversi da quelli consentiti potrà dar luogo a situazioni di pericolo.

#### **5) ASSISTENZA**

- a) **Fare riparare l'utensile solo ed esclusivamente da personale specializzato e solo impiegando pezzi di ricambio originali.** In tale maniera potrà essere salvaguardata la sicurezza dell'utensile.

#### **ISTRUZIONI DI SICUREZZA PER MARTELLI**

- **Portare cuffie di protezione** (l'effetto del rumore può provocare la perdita dell'udito)
- **Utilizzare le impugnature supplementari fornite insieme all'utensile** (la perdita di controllo sull'utensile può comportare il pericolo di incidenti)
- Evitate possibili danneggiamenti da viti e chiodi sporgenti; rimuoverli prima di iniziare la lavorazione
- Mantenere sempre il cavo distante dalle parti in movimento dell'utensile
- **Fissare il pezzo da lavorare** (un pezzo in lavorazione rimane bloccato in posizione con maggiore sicurezza se fissato con appositi dispositivi di serraggio o con una morsa e non tenendolo con la mano)
- Quando riponete l'utensile accertatevi che non ci siano parti in movimento e che il motore sia spento
- Usare cavi di prolunga completamente srotolati e sicure con una capacità di 16 Amp
- Nel caso di cattivo funzionamento elettrico o meccanico, spegnete subito l'utensile e staccate la spina
- La SKIL garantisce un perfetto funzionamento dell'utensile soltanto se vengono utilizzati accessori originali
- Utilizzate solo accessori il cui numero massimo di giri corrisponda almeno al massimo dei numeri di giri dell'utensile
- Questo utensile non dev'essere utilizzato da persone di età inferiore ai 16 anni
- **Al fine di rilevare possibili linee di alimentazione nascoste, utilizzare adatte apparecchiature di ricerca oppure rivolgersi alla locale società erogatrice** (un contatto con linee elettriche può provocare lo sviluppo di incendi e di scosse elettriche; danneggiando linee del gas si può creare il pericolo di esplosioni; penetrando una tubazione dell'acqua si provocano seri danni materiali oppure vi è il pericolo di provocare una scossa elettrica)
- **Tenere l'elettrodotensile per le superfici isolate dell'impugnatura qualora venissero effettuati lavori durante i quali l'accessorio potrebbe venire a contatto con cavi elettrici nascosti oppure con il proprio cavo di rete** (il contatto con un cavo sotto tensione può mettere sotto tensione anche parti metalliche dell'apparecchio, causando una scossa elettrica)
- **Non lavorare mai materiali contenenti amianto** (l'amianto è ritenuto materiale cancerogeno)
- Le polveri di materiali come vernici contenenti piombo, alcune specie di legno, minerali e metallo possono essere nocive (il contatto con queste polveri o la loro inalazione possono causare reazioni allergiche e/o disturbi respiratori all'operatore o ad altre persone presenti sul posto); **indossare una maschera protettiva per la polvere e utilizzare un dispositivo per l'estrazione della polvere se è presente una presa di collegamento**
- Alcuni tipi di polvere sono classificati come cancerogeni (quali le polveri di quercia e faggio) specialmente se associate ad additivi per il trattamento del legno; **indossare una maschera protettiva per la polvere e**

### **utilizzare un dispositivo per l'estrazione della polvere se è presente una presa di collegamento**

- Rispettare le istruzioni nazionali riguardanti l'estrazione della polvere per i materiali in lavorazione
- Se durante un'operazione di lavoro viene danneggiato oppure troncato il cavo, non toccare il cavo ma estrarre immediatamente la spina dalla presa
- Non usare l'utensile quando il cavo è danneggiato; farlo sostituire da personale qualificato
- Controllare che la tensione dell'alimentazione sia la stessa di quella indicata sulla targhetta dell'utensile (gli utensili con l'indicazione di 230V o 240V possono essere collegati anche alla rete di 220V)
- Se la punta si blocca inaspettatamente (provocando un contraccolpo di reazione), spegnete subito l'utensile
- Attenzione alle forze sviluppate in caso di bloccaggio dell'utensile (specialmente nella foratura del metallo); **utilizzare sempre l'impugnatura ausiliaria G ②** ed assumete una sicura posizione di lavoro
- **Staccate sempre la spina dell'utensile prima di effettuare regolazioni o cambiare gli accessori**

## USO

- Acceso/spento ④
- Controllo della velocità massima ⑤  
Con la rotella B potete scegliere progressivamente la velocità massima da bassa ad alta (1-6)
- Selezione della modalità di funzionamento ⑥  
**! selezionare la modalità di funzionamento solo quando l'utensile è spento e quando la spina è scollegata**
  - premete il pulsante C per sbloccare l'interruttore D
  - prima ruotate l'interruttore D sulla modalità di funzionamento desiderata, finché non scatta in posizione
  - quindi ruotate l'interruttore E sulla modalità di funzionamento desiderata
    - 1 = foratura normale/avvitatura
    - 2 = foratura a percussione
    - 3 = scalpellatura
- **! accendete l'utensile solo quando l'interruttore D è bloccato**
  - per forare nel legno, metallo e materie plastiche e per avvitare, bisogna applicare il relativo adattatore (ved.: Consiglio pratico)
  - il meccanismo di percussione è attivato applicando una leggera pressione sull'utensile quando la punta è a contatto con il piano di lavoro
  - serve poco al meccanismo di percussione per raggiungere la sua piena potenza d'impatto
  - non applicate una pressione eccessiva all'utensile; lasciate che sia l'utensile a lavorare per voi
- Cambio delle punte ⑦  
**! prima dell'impiego pulire ed ingrassare leggermente l'accessorio SDS+**
  - tirare all'indietro la bussola di bloccaggio F ② ed inserire l'accessorio nel mandrino SDS+ ruotandolo e spingendolo fino all'innesto; l'accessorio si blocca automaticamente
  - controllare il bloccaggio tirando l'accessorio
  - rimuovere l'accessorio tirando all'indietro la bussola di bloccaggio F

- **! l'accessorio SDS+ deve essere mobile: si forma così una eccentricità durante il funzionamento a vuoto, che viene annullata automaticamente durante la foratura; questo sistema non ha nessun effetto sulla precisione di foratura**
- **! non utilizzare punte/scalpellini con il gambo danneggiato**

- Frizione di sicurezza  
Nel caso l'accessorio si blocchi, viene interrotta la trasmissione all'alberino
  - spegnere subito l'utensile
  - rimuovere l'accessorio bloccato
  - avviare nuovamente l'utensile
- Regolazione della profondità di perforazione ⑧
- Tenuta e guida dell'utensile ⑨  
**! durante la lavorazione, impugnare l'utensile sempre in corrispondenza della(e) area(e) grigia(e)**
  - **utilizzare sempre l'impugnatura ausiliaria G ②** (può venire regolata come illustrato)
  - tenere scoperte le feritoie di ventilazione H ②

## CONSIGLIO PRATICO

- Usare le punte appropriate ⑩  
**! usare solo punte/scalpellini affilate**
- Per forare nel legno, metallo e materie plastiche e per avvitare utilizzare il relativo adattatore (accessorio SKIL 2610395660) ⑪
  - prima dell'impiego pulire ed ingrassare leggermente l'adattatore
  - tirare all'indietro la bussola di bloccaggio F ② ed inserire l'adattatore nel mandrino SDS+ ruotandolo e spingendolo fino all'innesto; l'adattatore si blocca automaticamente
  - controllare il bloccaggio tirando l'adattatore
  - spostare l'interruttore D ② nel funzionamento di perforazione normale (**azionare solo quando l'utensile è spento e quando la spina è scollegata**)
- Quando le parti da forare sono ferrose
  - preparare un piccolo foro, quando è richiesto un grande foro
  - lubrificare la punta di tanto in tanto con olio
- Quando avvitate una vite in vicinanza dei bordi dell'asse, è preferibile fare un foro precedentemente per evitare le spaccature di legno
- Forature antisceglia nel legno ⑫
- Foratura senza polvere nel muro ⑬
- Foratura senza polvere nel soffitto ⑭
- Foratura di piastrelle senza scivolamento ⑮
- Per altri consigli consultare il sito [www.skil.com](http://www.skil.com)

## MANUTENZIONE / ASSISTENZA

- Questo utensile non è inteso per un uso professionale
- Non aprire mai l'utensile da se stessi ⑯
- Tenete sempre puliti utensile e cavo (soprattutto le feritoie di ventilazione H ②)  
**! prima di pulire estrarre la spina dalla presa**
- Se nonostante gli accurati procedimenti di produzione e di controllo l'utensile dovesse guastarsi, la riparazione va fatta effettuare da un punto di assistenza autorizzato per gli elettrooutensili SKIL

- inviare l'utensile **non smontato** assieme alle prove di acquisto al rivenditore oppure al più vicino centro assistenza SKIL (l'indirizzo ed il disegno delle parti di ricambio dell'utensile sono riportati su [www.skil.com](http://www.skil.com))

## TUTELA DELL'AMBIENTE

- **Non gettare l'utensile elettrico, gli accessori e l'imballaggio tra i rifiuti domestici** (solo per paesi UE)
  - secondo la Direttiva Europea 2012/19/CE sui rifiuti di utensili elettrici ed elettronici e la sua attuazione in conformità alle norme nazionali, gli utensili elettrici esausti devono essere raccolti separatamente, al fine di essere reimpiagati in modo eco-compatibile
  - il simbolo  vi ricorderà questo fatto quando dovrete eliminarlo

## DICHIARAZIONE DEI CONFORMITÀ CE

- Dichiaro, assumendo la piena responsabilità di tale dichiarazione, che il prodotto è conforme alle seguenti normative e ai relativi documenti: EN 60745, EN 61000, EN 55014 in base alle prescrizioni delle direttive 2004/108/EG, 2006/42/EG, 2011/65/UE
- **Fascicolo tecnico presso:** SKIL Europe BV (PT-SEU/EN61), 4825 BD Breda, NL

Marijn van der Hoofden  
Operations & Engineering

Olaf Dijkgraaf  
Approval Manager




SKIL Europe BV, 4825 BD Breda, NL

09.12.2013

## RUMOROSITÀ/VIBRAZIONE


- Misurato in conformità ai EN 60745 il livello di pressione acustica di questo utensile è 95 dB(A) ed il livello di potenza acustica 106 dB(A) (deviazione standard: 3 dB), e la vibrazione \* m/s<sup>2</sup> (metodo mano-braccio; incertezza K = 1,5 m/s<sup>2</sup>)
    - \* nella foratura a percussione nel cemento 17,0 m/s<sup>2</sup>
    - \* nella scalpellatura 16,0 m/s<sup>2</sup>
  - Il livello di emissione delle vibrazioni è stato misurato in conformità a un test standardizzato stabilito dalla norma EN 60745; questo valore può essere utilizzato per mettere a confronto un l'utensile con un altro o come valutazione preliminare di esposizione alla vibrazione quando si impiega l'utensile per le applicazioni menzionate
    - se si utilizza l'utensile per applicazioni diverse, oppure con accessori differenti o in scarse condizioni, il livello di esposizione potrebbe **umentare** notevolmente
    - i momenti in cui l'utensile è spento oppure è in funzione ma non viene effettivamente utilizzato per il lavoro, possono contribuire a **ridurre** il livello di esposizione
- ! proteggere dagli effetti della vibrazione effettuando la manutenzione dell'utensile e dei relativi accessori, mantenendo le mani calde e organizzando i metodi di lavoro**

H

## Fúrókalapács

1766

## BEVEZETÉS

- A készülék betonban, téglában és közetekben végzett ütvefúrásra valamint véséshez szolgál; fában, fémekben és műanyagokban végzett fúráshoz valamint csavarozáshoz használjon speciális tartozékok
- Ezen készülék ütvefúró rendszere messze felülmúlja a szokásos ütvefúrógépeket betonfúrásnál
- A gép alkalmas valamennyi SDS+ tartozék használatára
- A szerszám nem professzionális használatra készült
- Olvassa el figyelmesen és őrizze meg a használati utasítást 

## TECHNIKAI ADATOK


- \*) Egyedi ütőerő az EPTA-Procedure 05/2009 szerint -> az érték még nem elérhető

## SZERSZÁMGÉP ELEMEI

- A Be/Ki kapcsoló
- B A maximális sebesség beállítására szolgáló kerék
- C Kioladó gomb
- D Üzem mód kapcsoló
- E Második üzem mód kapcsoló
- F Reteszelő hüvelyt
- G Oldalfogantyú
- H Szellőzőnyílások
- J Mélységbeállító

## BIZTONSÁG

### ÁLTALÁNOS BIZTONSÁGI ELŐÍRÁSOK

 **FIGYELEM! Olvassa el az összes biztonsági figyelmeztetést és előírást.** A következőkben leírt előírások betartásának elmulasztása áramütésekhez, tűzhoz és/vagy súlyos testi sérülésekhez vezethet. **Kérjük a későbbi használatra gondosan őrizze meg ezeket az előírásokat.** Az alább alkalmazott elektromos kéziszerszám fogalom a hálózati elektromos kéziszerszámokat (hálózati csatlakozó kábelrel) és az akkumulátoros elektromos kéziszerszámokat (hálózati csatlakozó kábel nélkül) foglalja magában.

### 1) MUNKAHELYI BIZTONSÁG

- Tartsa tisztán és tartsa rendben a munkahelyét.** Rendetlen munkahelyek vagy megvilágítatlan munkaterületek balesetekhez vezethetnek.
- Ne dolgozzon az elektromos kéziszerszámmal olyan robbanásveszélyes környezetben, ahol éghető folyadékok, gázok vagy porok vannak.** Az elektromos kéziszerszámok szikrákat bocsáthatnak ki, amelyek meggyújthatják a port vagy a gőzöket.
- Tartsa távol a gyerekeket és az idegen személyeket a munkahelytől, ha az elektromos kéziszerszámot használja.** Ha elvonják a figyelmét a munkától, könnyen elvesztheti az uralmát a berendezés felett.

## 2) ELEKTROMOS BIZTONSÁGI ELŐÍRÁSOK

- a) **A készülék csatlakozó dugójának bele kell illeszkednie a dugaszolóaljzatba. A csatlakozó dugót semmilyen módon sem szabad megváltoztatni. Védőföldeléssel ellátott készülékekkel kapcsolatban ne használjon csatlakozó adaptert.** A változtatás nélküli csatlakozó dugók és a megfelelő dugaszoló aljzatok csökkentik az áramütés kockázatát.
- b) **Ne érjen hozzá földelt felületekhez, mint csövekhez, fűtőtestekhez, kályhákhoz és hűtőszekrényekhez.** Az áramütési veszély megnövekszik, ha a teste le van földelve.
- c) **Tartsa távol az elektromos kéziszerszámot az esőtől és a nedvesség hatásaitól.** Ha víz hatol be egy elektromos kéziszerszámba, ez megnöveli az áramütés veszélyét.
- d) **Ne használja a kábelt a rendeltetésétől eltérő célokra, vagyis a szerszámot soha ne hordozza vagy akassza fel a kábelnél fogva, és soha ne húzza ki a hálózati csatlakozó dugót a kábelnél fogva.** Tartsa távol a kábelt hőforrásoktól, olajtól, éles élektől, sarkaktól és mozgó gépalkatrészekről. Egy megrongálódott vagy csomókkal teli kábel megnöveli az áramütés veszélyét.
- e) **Ha egy elektromos kéziszerszámmal a szabad ég alatt dolgozik, csak a szabadban való használatra engedélyezett hosszabbítót használjon.** A szabadban való használatra engedélyezett hosszabbító használata csökkenti az áramütés veszélyét.
- f) **Ha nem lehet elkerülni az elektromos kéziszerszám nedves környezetben való használatát, alkalmazzon egy földzárlat megszakítót.** Egy földzárlat megszakító alkalmazása csökkenti az áramütés kockázatát.

## 3) SZEMÉLYI BIZTONSÁGI ELŐÍRÁSOK

- a) **Munka közben mindig figyeljen, ügyeljen arra, amit csinál, és meggondoltan dolgozzon az elektromos kéziszerszámmal.** Ha fáradt, ha kábítószerek vagy alkohol hatása alatt áll, vagy orvosságokat vett be, ne használja a berendezést. A berendezéssel végzett munka közben már egy pillanatnyi figyelmetlenség is komoly sérülésekhez vezethet.
  - b) **Viseljen személyi védőfelszerelést és mindig viseljen védőszemüveget.** A személyi védőfelszerelések, mint porvédő álarc, csúszásbiztos védőcipő, védősapka és fülvédő használata az elektromos kéziszerszám használata jellegének megfelelően csökkenti a személyes sérülések kockázatát.
  - c) **Kerülje el a készülék akaratlan üzembe helyezését.** Győződjön meg arról, hogy az elektromos kéziszerszám ki van kapcsolva, mielőtt bedugná a csatlakoztatandó dugót a dugaszolóaljzatba, csatlakoztatná az akkumulátor-csomagot, és mielőtt felvenné és vinni kezdené az elektromos kéziszerszámot. Ha az elektromos kéziszerszám fellemelése közben az újat a kapcsolón tartja, vagy ha a készüléket bekapcsolt állapotban csatlakoztatja az áramforráshoz, ez balesetekhez vezethet.
  - d) **Az elektromos kéziszerszám bekapcsolása előtt okvetlenül távolítsa el a beállító szerszámokat vagy csavarkulcsokat.** Az elektromos kéziszerszám forgó
- részeiben felejtett beállító szerszám vagy csavarkulcs sérüléseket okozhat.
- e) **Ne becsülje túl önmagát. Kerülje el a normálistól eltérő testtartást, ügyeljen arra, hogy mindig biztosan álljon és az egyensúlyát megtartsa.** Így az elektromos kéziszerszám felett váratlan helyzetekben is jobban tud uralkodni.
  - f) **Viseljen megfelelő ruhát. Ne viseljen bő ruhát vagy ékszereket. Tartsa távol a haját, a ruháját és a kesztyűjét a mozgó részekről.** A bő ruhát, az ékszereket és a hosszú haját a mozgó alkatrészek magukkal ránthatják.
  - g) **Ha az elektromos kéziszerszámra fel lehet szerelni a por elszívásához és összegyűjtéséhez szükséges berendezéseket, ellenőrizze, hogy azok megfelelő módon hozzá vannak kapcsolva a készülékhez és rendeltetésüknek megfelelően működnek.** A porgyűjtő berendezések használata csökkenti a munka során keletkező por veszélyes hatását.
- ## 4) AZ ELEKTROMOS KÉZISZERSZÁMOK GONDOS KEZELÉSE ÉS HASZNÁLATA
- a) **Ne terhelje túl az elektromos kéziszerszámot. A munkájához csak az arra szolgáló elektromos kéziszerszámot használja.** Egy alkalmas elektromos kéziszerszámmal a megadott teljesítménytartományon belül jobban és biztonságosabban lehet dolgozni.
  - b) **Ne használjon olyan elektromos kéziszerszámot, amelynek a kapcsolója elromlott.** Egy olyan elektromos kéziszerszám, amelyet nem lehet sem be-, sem kikapcsolni, veszélyes és meg kell javíttatni.
  - c) **Húzza ki a csatlakozó dugót a dugaszolóaljzatból és/vagy az akkumulátor-csomagot az elektromos kéziszerszámból, mielőtt az elektromos kéziszerszámon beállítási munkákat végez, tartozékokat cserél vagy a szerszámot tárolásra elteszi.** Ez az elővigyázatossági intézkedés meggátolja a szerszám akaratlan üzembe helyezését.
  - d) **A használaton kívüli elektromos kéziszerszámokat olyan helyen tárolja, ahol azokhoz gyerekek ne férhessenek hozzá. Ne hagyja, hogy olyan személyek használják az elektromos kéziszerszámot, akik nem ismerik a szerszámot, vagy nem olvasták el ezt az útmutatót.** Az elektromos kéziszerszámok veszélyesek, ha azokat gyakorlatlan személyek használják.
  - e) **A készüléket gondosan ápolja. Ellenőrizze, hogy a mozgó alkatrészek kifogástalanul működnek-e, nincsenek-e beszorulva, és nincsenek-e eltörve vagy megrongálódva olyan alkatrészek, amelyek hatással lehetnek az elektromos kéziszerszám működésére.** A megrongálódott részeket a készülék használata előtt javíttassa meg. Sok olyan baleset történik, amelyet az elektromos kéziszerszám nem kielégítő karbantartására lehet visszavezetni.
  - f) **Tartsa tisztán és éles állapotban a vágószerszámokat.** Az éles vágóélekkel rendelkező és gondosan ápolott vágószerszámok ritkábban ékelődnek be és azokat könnyebben lehet vezetni és irányítani.
  - g) **Az elektromos kéziszerszámokat, tartozékokat, betétszerszámokat stb. csak ezen előírásoknak használja. Vegye figyelembe a munkafeltételeket és a kivitelezendő munka sajátosságait.** Az elektromos

kéziszerszám eredeti rendeltetésétől eltérő célokra való alkalmazása veszélyes helyzetekhez vezethet.

## 5) SZERVIZ

- a) **Az elektromos kéziszerszámot csak szakképzett személyzet és csak eredeti pótalkatrészek felhasználásával javíthatja.** Ez biztosítja, hogy az elektromos kéziszerszám biztonságos szerszám maradjon.

## BIZTONSÁGI ELŐÍRÁSOK FÚRÓKALAPÁCSHOZ

- **Viseljen fűlvédőt** (ennek elmulasztása esetén a zaj hatása a hallóképesség elvesztéséhez vezethet)
- **Használja a kéziszerszámmal együtt szállított pótfogantyúkat** (ha elveszti az uralmát a berendezés felett, ez sérülésekhez vezethet)
- Ügyeljen arra, hogy a munkadarabban lévő csavar, szög vagy hasonló sérüléseket ne okozhasson; a munka megkezdése előtt eltávolítandó
- A gép mozgó részétől mindig tartsa távol az elektromos kábel
- **Rögzítse a munkadarabot** (befogókészülékkel vagy satuval befogott munkadarabot sokkal biztonságosabban lehet rögzíteni mint a kézzel tartottat)
- A gépet soha ne hagyja bekapcsolt állapotban, ha már nem dolgozik vele
- Használjon teljesen letekerés és biztonságos hosszabbítókábel, 16 A-es teljesítménnyel
- Normálstól eltérő működés valamint szokatlan, idegen hangok esetén a készüléket azonnal kapcsolja ki és a kábel húzza ki a fali dugaszoló aljzatból
- SKIL cég kizárólag eredeti alkatrészek és kiegészítők alkalmazása esetén tudja garantálni a gép problémamentes működését
- Csak olyan tartozékot használjon, amelyek legmagasabb megengedett fordulatszámja legalább akkora, mint a berendezés legmagasabb üresjáratú fordulatszámja
- A készüléket csak 16 éven felüli személyek használják
- **A rejtett vezetékek felkutatásához használjon alkalmas fémkereső készüléket, vagy kérje ki a helyi energiaellátó vállalat tanácsát** (ha egy elektromos vezetékeket a berendezéssel megérint, ez tűzhöz és áramütéshez vezethet; egy gázvezeték megrongálása robbanást eredményezhet; egy vízvezetékbe való behatolás anyagi károkhöz és áramütéshez vezethet)
- **Az elektromos kéziszerszámot csak a szigetelt fogantyúfelületeknél fogva tartsa, ha olyan munkát végez, amelynek során a betétszám feszültség alatt áll, kívülről nem látható vezetékekhez, vagy a készülék saját hálózati csatlakozó kábeljéhez érhet** (ha a berendezés egy feszültség alatt álló vezetékhez ér, az elektromos kéziszerszám fémrészei szintén feszültség alá kerülhetnek és áramütéshez vezethetnek)
- **Ne munkáljon meg a berendezéssel azbesztes tartalmú anyagokat** (az azbesztes rákkeltő hatása van)
- Az anyagból származó por (mint például az ólomot, néhány fafajtát, ásványi anyagokat és fémeket tartalmazó festékek) káros lehet (a por érintése vagy belégzése allergiás reakciókat és/vagy légzőszervi betegségeket okozhat a kezelő, illetve a közelben állók esetében); **viseljen pormaszkot és amennyiben csatlakoztatható, dolgozzon porszívó berendezéssel**

- Bizonyos porfajták rákkeltő besorolással rendelkeznek (ilyen például a tölgy- és a bükkfa pora), különösen a fa kondicionálására szolgáló adalékokkal együtt; **viseljen pormaszkot és amennyiben csatlakoztatható, dolgozzon porszívó berendezéssel**
- Kövesse a por kezelésével kapcsolatos helyi előírásokat azon termékkel kapcsolatban, amellyel dolgozni kíván
- Ha a kábel munka közben megsérül vagy el van vágva, ne érjen a kábelhoz, hanem azonnal húzza ki a konektorból
- Soha ne használja a szerszámot ha a kábel sérült; cseréltesse ki szakértő által
- Mindig ellenőrizze, hogy a hálózati feszültség megegyezik-e a gép adattábláján feltüntetett értékkel (a 230V vagy 240V jelzésű gépek 220V feszültségre is csatlakoztathatók)
- A fúró váratlan (hirtelen, veszélyes reakciót okozó) beszorulása vagy elakadása esetén azonnal kapcsolja ki a gépet
- Soha ne feledkezzen meg arról, hogy a fúró elakadása vagy beszorulása (különösen fémfúrás esetén) mekkora erőhatással jár; **a gépet mindig az oldalfogantyúnál G ② fogja és gondoskodjon szilárd támaszról**
- **Mindig húzza ki a dugaszolóaljzatot mielőtt tartozékot cserélné vagy bármit változtatna a gép beállításán**

## KEZELÉS

- Be/Ki ④
- Maximális sebesség beállítás ⑤  
A B kerék segítségével állítható be fokozatmentesen a legnagyobb fordulatszám, az alacsonytól a magasig (1-6)
- Üzemmód megválasztása ⑥  
**! az üzemmód megválasztását csak a gép kikapcsolása és a hálózati csatlakozó legyen kihúzva a konektorból**
  - nyomja meg az C gombot az D kapcsoló kioldásához
  - először kapcsolja az D kapcsolót a kívánt üzemmódba, amíg az a helyére kattant
  - majd kapcsolja az E kapcsolót a kívánt üzemmódba  
1 = normál fúrás/csavarhúzás  
2 = ütésfúrás  
3 = vésés
- **! csak akkor rögzítse meg a munkát, ha az D kapcsoló rögzítve van**
  - fában, fémekben és műanyagokban végzett fúrásokhoz valamint csavarozáshoz a hozzátartozó adapterrel használja (lásd: Használat)
  - az ütésfúró mechanizmus akkor lép működésbe, amikor a fúró a munkadarabbal érintkezik, a gépre gyakorolt enyhe nyomás bekapcsolja az ütésfúró mechanizmust
  - az ütésfúró mechanizmus szüksége van egy rövid időre amíg eléri a teljes ütőerőt
  - ne gyakoroljon túl nagy nyomást a gépre; hagyja, hogy a gép dolgozzon ön helyett
- A szerszámhegyek cseréje ⑦  
**! az SDS+ tartozékot használat előtt tisztítsuk meg és enyhén zsírozzuk be**
  - húzza vissza a reteszelő hüvelyt F ② és illessze be a tartozékot az SDS+ tokmánya s eközben forgassa és nyomja, amíg a helyére nem kerül; a tartozék automatikusan rögzül

- a tartozékot húzzuk meg, így ellenőrizzük a megfelelő reteszeléset
- a reteszelő hüvelyt F visszahúzása után a tartozékot kivéhető

**! az SDS+ tartozéknak szabadon kell mozognia, ezáltal amikor a gép üresjáratban van, a tartozék forgás közben kitér, fúrásnál azonban automatikusan középre áll; ez nem befolyásolja a furat pontosságát**

**! soha ne használjon sérült befogóvégű szerszámhegyet/vesőt**

- Biztonsági tengelykapcsoló  
Ha a tartozék megszorul, a tengely meghajtása megszűnik
  - azonnal kapcsolja ki a gépet
  - a megszorult tartozékot távolítsa el
  - kapcsolja be újra a gépet
- A furatmélység beállítása ⑧
- A gép vezetése és tartása ⑨
- ! munka közben mindvégig tartsa gépet a szürke színű markolati terület(ek)en**
  - a gépet mindig az oldalfogantyúnál G ② fogja (az ábrán látható módon beállítható)
  - a szellőzőnyílásokat H ② mindig tartsa szabadon

## HASZNÁLAT

- Mindig a megfelelő szerszámhegyet használja ⑩  
**! ne használjon kopott vagy életlen szerszámhegyet/vesőt**
- Használjon a hozzátartozó adapterrel (2610395660 SKIL tartozék) fában, fémekben és műanyagokban végzett fúrásrahoz valamint csavarozáshoz ⑪
  - az adaptert használat előtt tisztítsuk meg és enyhén zsírozzuk be
  - húzza vissza a reteszelő hüvelyt F ② és illessze be az adaptert az SDS+ tokmánya s eközben forgassa és nyomja, amíg a helyére nem kerül; az adapter automatikusan rögzül
  - az adaptert húzzuk meg, így ellenőrizzük a megfelelő reteszeléset
  - az D ② kapcsolót normál fúrásrá állítjuk **(csak a gép kikapcsolása és a hálózati csatlakozó legyen kihúzva a konnektorból)**
- Fémekben történő fúrásokról
  - készítsünk kisméretű előfuratot
  - kenje időnként olajjal a fúróhegyet
- Csavarok faanyag végébe vagy szálirányába történő behajtása előtt készítsen előfuratot
- Forgácsmentes fúrás ⑫
- Pormentes fúrás falban ⑬
- Pormentes fúrás plafonban ⑭
- Csempek/burkolólapok fúrása megcsúszás nélkül ⑮
- A www.skil.com címen még több ötletet és javaslatot talál

## KARBANTARTÁS / SZERVIZ

- A szerszám nem professzionális használatra készült
- Ön soha ne nyissa ki a készüléket ⑯
- Mindig tartsa tisztán a gépet és a vezetéket (különös tekintettel a szellőzőnyílásokra H ②)
- ! tisztítás előtt húzza ki a csatlakozódugót**

- Ha a gép a gondos gyártási és ellenőrzési eljárás ellenére egyszer mégis meghibásodna, akkor a javítással csak SKIL elektromos kéziszerszám-műhely ügyfélszolgálatát szabad megbízni
  - küldje az **összeszerelt** gépet a vásárlást bizonyító számlával együtt a kereskedő vagy a legközelebbi SKIL szervizállomás címére (a címlista és a gép szervizdiagramja a www.skil.com címen található)

## KÖRNYEZET

- **Az elektromos kéziszerszámokat, tartozékokat és csomagolást ne dobja a háztartási szemétkébe** (csak EU-oroszágok számára)
  - a használt villamos és elektronikai készülékekről szóló 2012/19/EK irányelv és annak a nemzeti jogba való átültetése szerint az elhasznált elektromos kéziszerszámokat külön kell gyűjteni, és környezetbarát módon újra kell hasznosítani
  - erre emlékeztet a ⑰ jelzés, amennyiben felmerül az intézkedésre való igény

## MEGFELELŐSÉGI NYILATKOZAT CE

- Teljes felelősségünk tudatában kijelentjük, hogy jelen termék a következő szabványoknak vagy kötelező hatósági előírásoknak megfelel: EN 60745, EN 61000, EN 55014, a 2004/108/EK, 2006/42/EK, 2011/65/EU előírásoknak megfelelően
- **A műszaki dokumentáció a következő helyen található:** SKIL Europe BV (PT-SEU/ENG1), 4825 BD Breda, NL

Marijn van der Hoofden      Olaf Dijkgraaf  
Operations & Engineering      Approval Manager




SKIL Europe BV, 4825 BD Breda, NL

09.12.2013

## ZAJ/REZGÉS

- Az EN 60745 alapján végzett mérések szerint ezen készülék hangnyomás szintje 95 dB(A) a hangteljesítmény szintje 106 dB(A) (normál eltérés: 3 dB), a rezgésszám \* m/s<sup>2</sup> (kézre-ható érték; szórás K = 1,5 m/s<sup>2</sup>)
  - \* beton útvefúrásakor 17,0 m/s<sup>2</sup>
  - \* véséskor 16,0 m/s<sup>2</sup>
- A rezgés-kibocsátási szint mérése az EN 60745 szabványban meghatározott szabványosított teszttel összhangban történt; ez egy eszköznek egy másik eszközzel történő összehasonlítására, illetve a rezgésnek való kitettség előzetes felmérésére használható fel az eszköznek az említett alkalmazásokra történő felhasználása során
  - az eszköznek eltérő alkalmazásokra, vagy eltérő, illetve rosszul karbantartott tartozékokkal történő felhasználása jelentősen **emelheti** a kitettség szintjét
  - az idő, amikor az eszköz ki van kapcsolva, vagy amikor ugyan működik, de ténylegesen nem végez munkát, jelentősen **csökkentheti** a kitettség szintjét

! az eszköz és tartozékai karbantartásával, kezének melegen tartásával, és munkavégzésének megszervezésével védje meg magát a rezgések hatásaitól

CZ

## Vrtací kladivo

1766

### ÚVOD

- Nářadí je určeno k příklepovému vrtání do betonu, zdiva, cihel a lehké dlabací práce; k vrtání do dřeva, kovu a umělé hmoty jakož i k šroubování použijte speciální příslušenství
- Systém příklepu a vrtání použitý u tohoto nářadí zdaleka předčí všechny ostatní při vrtání do betonu
- Tento nářadí umožňuje používání běžného příslušenství SDS+
- Tento nástroj není určen k profesionálnímu použití
- Tento návod s pokyny si pečlivě přečtěte a uschovejte ③

### TECHNICKÉ ÚDAJE ①

\* Intenzita jednotlivých úderů podle EPTA-Procedure 05/2009 -> hodnota ještě není k dispozici

### SOUČÁSTI NÁSTROJE ②

- A Vypínač
- B Kolečko na kontrola maximální rychlosti
- C Odjišťovací tlačítko
- D Spínač na volbu provozního režimu
- E Druhý spínač na volbu provozního režimu
- F Zajišťovací objímka
- G Pomocná rukojeť
- H Větrací šterbiny
- J Hloubkový doraz

### BEZPEČNOST

#### VŠEOBECNÉ BEZPEČNOSTNÍ PŘEDPISY

**⚠ POZOR!** Čtěte všechna varovná upozornění a pokyny. Zanedbání při dodržování varovných upozornění a pokynů mohou mít za následek úder elektrickým proudem, požár a/nebo těžká poranění. **Všechna varovná upozornění a pokyny do budoucna uschovejte.** Ve varovných upozorněních použitý pojem "elektronářadí" se vztahuje na elektronářadí provozované na el. síti (se síťovým kabelem) a na elektronářadí provozované na akumulátoru (bez síťového kabelu).

#### 1) BEZPEČNOST PRACOVNÍHO MÍSTA

- a) **Udržujte Vaše pracovní místo čisté a uklizené.** Nepořádek nebo neosvětlené pracovní oblasti mohou vést k úrazům.
- b) **Se strojem nepracujte v prostředích ohrožených explozí, kde se nacházejí hořlavé kapaliny, plyny nebo prach.** Elektronářadí vytváří jiskry, které mohou prach nebo páry zapálit.

c) **Děti a jiné osoby udržujte při použití elektronářadí daleko od Vašeho pracovního místa.** Při rozptýlení můžete ztratit kontrolu nad strojem.

#### 2) ELEKTRICKÁ BEZPEČNOST

- a) **Připojovací zástrčka stroje musí lícovat se zásuvkou. Zástrčka nesmí být žádným způsobem upravena. Společně se stroji s ochranným uzemněním nepoužívejte žádné adaptérové zástrčky.** Neupravené zástrčky a vhodné zásuvky snižují riziko elektrického úderu.
- b) **Zabraňte kontaktu těla s uzemněnými povrchy, jako např. potrubí, topení, sporáky a chladničky.** Je-li Vaše tělo uzemněno, existuje zvýšené riziko elektrického úderu.
- c) **Chraňte stroj před deštěm a vlhkem.** Vniknutí vody do elektrického stroje zvyšuje nebezpečí elektrického úderu.
- d) **Dbejte na účel kabelu, nepoužívejte jej k nošení či zavěšení stroje nebo vytažení zástrčky ze zásuvky. Udržujte kabel daleko od tepla, oleje, ostrých hran nebo pohyblivých dílů stroje.** Poškozené nebo spletené kabely zvyšují riziko elektrického úderu.
- e) **Pokud pracujete s elektronářadím venku, použijte pouze takové prodlužovací kabely, které jsou schváleny i pro venkovní použití.** Použití prodlužovacího kabelu, jež je vhodný pro použití venku, snižuje riziko elektrického úderu.
- f) **Pokud se nelze vyhnout provozu elektronářadí ve vlhkém prostředí, použijte ochranný jistič.** Nasazení ochranného jističe snižuje riziko úderu elektrickým proudem.

#### 3) BEZPEČNOST OSOB

- a) **buďte pozorní, dávejte pozor na to, co děláte a přistupujte k práci s elektronářadím rozumně. Stroj nepoužívejte pokud jste unavení nebo pod vlivem drog, alkoholu nebo léků.** Moment nepozornosti při použití elektronářadí může vést k vážným poraněním.
- b) **Noste osobní ochranné pomůcky a vždy ochranné brýle.** Nošení osobních ochranných pomůcek jako maska proti prachu, bezpečnostní obuv s protiskluzovou podrážkou, ochranná přilba nebo sluchátka, podle druhu nasazení elektronářadí, snižují riziko poranění.
- c) **Zabraňte neúmyslnému uvedení do provozu. Přesvědčte se, že je elektronářadí vypnuté dříve než jej uchopíte, ponese či připojíte na zdroj proudu a/ nebo akumulátor.** Máte-li při nošení elektronářadí prst na spínači nebo pokud stroj připojíte ke zdroji proudu zapnutý, pak to může vést k úrazům.
- d) **Než stroj zapnete, odstraňte seřizovací nástroje nebo šroubovák.** Nástroj nebo klíč, který se nachází v otáčivém dílu stroje, může vést k poranění.
- e) **Nepřeceňujte se. Zajistěte si bezpečný postoj a vždy udržujte rovnováhu.** Tím můžete stroj v neočekávaných situacích lépe kontrolovat.
- f) **Noste vhodný oděv. Nenoste žádný volný oděv nebo šperky. Vlasy, oděv a rukavice udržujte daleko od pohybujících se dílů.** Volný oděv, šperky nebo dlouhé vlasy mohou být zachyceny pohybujícími se díly.
- g) **Lze-li namontovat odsávací či zachycující přípravky, přesvědčte se, že jsou připojeny a správně použity.** Použití odsávání prachu může snížit ohrožení prachem.

#### 4) SVĚDOMITÉ ZACHÁZENÍ A POUŽÍVÁNÍ ELEKTRONÁRAĐÍ

- a) **Stroj nepřetěžujte. Pro svou práci použijte k tomu určený stroj.** S vhodným elektronářadím budete pracovat v udané oblasti výkonu lépe a bezpečněji.
- b) **Nepoužívejte žádné elektronářadí, jehož spínač je vadný.** Elektronářadí, které nelze zapnout či vypnout je nebezpečné a musí se opravit.
- c) **Než provedete seřízení stroje, výměnu dílů příslušenství nebo stroj odložíte, vytáhněte zástrčku ze zásuvky a/nebo odstraňte akumulátor.** Toto preventivní opatření zabrání neúmyslnému zapnutí stroje.
- d) **Uchovávejte nepoužívané elektronářadí mimo dosah dětí. Nenechte stroj používat osobám, které se strojem nejsou seznámeny nebo nečetly tyto pokyny.** Elektronářadí je nebezpečné, je-li používáno nezkušenými osobami.
- e) **Pečujte o stroj svědomitě. Zkontrolujte, zda pohyblivé díly stroje bezvadně fungují a nevzpříčují se, zda díly nejsou zlomené nebo poškozené tak, že je omezena funkce stroje. Poškozené díly nechte před nasazením stroje opravit.** Mnoho úrazů má příčinu ve špatně udržovaném elektronářadí.
- f) **Řezné nástroje udržujte ostré a čisté.** Pečlivě ošetřované řezné nástroje s ostrými řeznými hranami se méně vzpříčují a dají se lehčeji vést.
- g) **Používejte elektronářadí, příslušenství, nasazovací nástroj apod. podle těchto pokynů. Respektujte přitom pracovní podmínky a prováděnou činnost.** Použití elektronářadí pro jiné než určující použití může vést k nebezpečným situacím.

#### 5) SERVIS

- a) **Nechte Váš stroj opravit pouze kvalifikovaným odborným personálem a pouze s originálními náhradními díly.** Tím bude zajištěno, že bezpečnost stroje zůstane zachována.

#### BEZPEČNOSTNÍ PŘEDPISY PRO VRTACÍ KLADIVA

- **Noste ochranu sluchu** (působení hluku může způsobit ztrátu sluchu)
- **Používejte přídatné rukojeti dodávané s nářadím** (ztráta kontroly může vést ke zraněním)
- Vrtáčku nepoužívejte je-li navlhla a nepracujte v blízkosti snadno zápalných nebo výbušných materiálů; před zahájením práce je odstraňte
- Šňůru udržujte vždy mimo dosah pohyblivých částí nástroje
- **Zajistěte obráběný díl** (obráběný díl uchycený pomocí upínacích zařízení nebo ve svěráku je mnohem bezpečnější než v ruce)
- Jakmile se hodláte vzdálit od nářadí, měl byste ho vypnout a vyčkat, dokud se pohybující části nezastaví
- Používejte zcela rozvinuté a bezpečné prodlužovací šňůry o kapacitě 16 ampér
- V případě atypického chování nebo cizích hluků ihned vypněte nářadí a vytáhněte zástrčku
- SKIL zajistí bezvadnou funkci nářadí pouze tehdy, používáte-li původní značkové
- Používejte pouze příslušenství, jejichž dovolené otáčky jsou alespoň tak vysoké jako nejvyšší otáčky stroje naprázdno
- Tento nástroj nesmí používat osoby mladší 16 let

- **Použijte vhodné hledací přístroje k vyhledání skrytých přívodních vedení nebo přivzvěte místní dodavatelskou společnost** (kontakt s el. vedením může vést k požáru a elektrickému úderu; poškození plynového vedení může vést k explozi; proniknutí do vodovodního potrubí může způsobit věcné škody nebo elektrický úder)
- **Pokud provádíte práce, při kterých může nasazovací nástroj zasáhnout skrytá elektrická vedení nebo vlastní síťový kabel, pak držte elektronářadí na izolovaných plochách rukojeti** (kontakt s vedením pod napětím může přivést napětí i na kovové díly elektronářadí a vést k úderu elektrickým proudem)
- **Nepracovávajte žádné materiál obsahující azbest** (azbest je karcinogenní)
- Prach z látek, jako jsou barvy obsahující olovo, některé druhy dřeva, minerály a kovy, může být škodlivý (kontakt s prachem nebo jeho vdechnutí může způsobit alergickou reakci a/nebo vyvolat respirační choroby u obsluhy nebo přihlížejících); **noste protiprachovou masku a pracujte se zařízením na odsávání prachu, pokud je možné jej připojit**
- Některé druhy prachu jsou klasifikovány jako karcinogenní (například dubový a bukový prach) zejména ve spojení s přísadami pro úpravu dřeva; **noste protiprachovou masku a pracujte se zařízením na odsávání prachu, pokud je možné jej připojit**
- Dodržujte stanovená nařízení pro práci v prašném prostředí
- Jestliže přívodní šňůru při práci podkódníte nebo proříznete, nedotýkejte se jí a okamžitě ji vytáhněte ze síťové zásuvky
- Píla se nesmí používat, je-li její přívodní šňůra poškozená; nechte si je kvalifikovaným pracovníkem vyměnit
- Vždy zkontrolujte, zda je napájecí napětí stejné jako napětí uvedené na typovém štítku nástroje (nářadí určené k napájení 230V nebo 240V lze použít též v síti 220V)
- Jestliže se vrták neočekávaně zadře (a způsobí náhlou, nebezpečnou reakci), okamžitě nástroj vypněte
- Nezapomeňte, že při zadření vznikají určité síly (zejména při vrtání kovů); **vždy držte nářadí za pomocná rukojeť G ②** a pevně se postavte
- **Před seřizováním, měněním pilových listů a příslušenství, vždy vytáhněte zástrčku nářadí z el. sítě**

#### OBSLUHA

- Zapnuto/vypnuto ④
- Kontrola maximální rychlosti ⑤  
Pomocí ovladače B se reguluje plynule maximální rychlost od nízké až po vysokou (1-6)
- Volba provozního režimu ⑥
- ! **provozní režim nastavujte pouze při vypnutém nástroji a když je zástrčka odpojena**
  - pokud chcete odjistit spínač D, zmáčkněte tlačítko C
  - nejprve otáčejte spínačem D do požadovaného provozního režimu, dokud nezaklapne



- potom otáčejte spínačem E do požadovaného provozního režimu
  - 1 = normální vrtání/šroubování
  - 2 = příklepové vrtání
  - 3 = dlabání
- ! **zařízení se spustí pouze tehdy, pokud je spínač D zajištěný**
- k vrtání do dřeva, kovu a umělé hmoty jakož i k šroubování použijte a příslušný adapter (viz: Použití)
- mechanismus pro příklepové vrtání se zapíná lehkým tlakem na vrtačku, jestliže se vrták dotkne obrobku
- mechanismus pro příklepové vrtání dosáhne plné účinnosti v krátkém čase
- na nástroj příliš netlačte; nechte jej, aby pracoval za vás
- Výměna hrotů ⑦
  - ! **příslušenství SDS+ před nasazením očistete a lehce promažte**
  - odtáhněte zajišťovací objímku F ② a vložte příslušenství do sklíčidla SDS+ a otáčejte a přitlačujte jej, dokud nezapadne na své místo; příslušenství samočinně zaklapne
  - zaklapnutí příslušenství je třeba vyzkoušet
  - příslušenství vyjměte odtážením zajišťovací objímky F
  - ! **příslušenství SDS+ musí být volně pohyblivé, při chodu náprázdno vzniká rozkmit, který se při vrtání samočinně vystředí, a tudíž nemá žádný vliv na přesnost vrtání**
  - ! **nepoužívejte hroty/dláta s poškozeným dřikem**
- Bezpečnostní spojka
  - Zablokuje-li se příslušenství, pohyb se přeruší až k vřetenu
    - okamžitě nářadí vypněte
    - vyjměte zablokované příslušenství
    - nářadí znovu zapněte
- Seřizování hloubky vrtání ⑧
- Držení a vedení nástroje ⑨
  - ! **při práci vždy držte nástroj v šedě zabarvené oblasti rukojeti**
  - **vždy držte nářadí za pomocná rukojeť G ②** (lze ji regulovat podle obrázku)
  - udržujte větrací štěrbiny H ② nezakryté

## NÁVOD K POUŽITÍ

- Použijte správné vrtáky ⑩
  - ! **používejte pouze ostré hroty/dláta**
- Používejte příslušný adapter (SKIL příslušenství 2610395660) k vrtání do dřeva, kovu a umělé hmoty jakož i k šroubování ⑪
  - adapter před nasazením očistete a lehce promažte
  - odtáhněte zajišťovací objímku F ② a vložte adapter do sklíčidla SDS+ a otáčejte a přitlačujte jej, dokud nezapadne na své místo; adapter samočinně zaklapne
  - zaklapnutí adapteru je třeba vyzkoušet
  - přepínačem D ② nastavit na normální vrtání (**přepínat pouze při vypnutém nástroji a když je zástrčka odpojená**)
- Při vrtání v kovu
  - předvrtejte napřed malý otvor
  - vrták při práci občas naolejujte

- Při zašroubovávání šroubu na konci nebo na začátku nějakého dřeva by měla být předvrtána díra, aby se zamezilo rozštípnutí dřeva
- Vrtání dřeva bez vzniku třísek ⑫
- Bezprašné vrtání zdí ⑬
- Bezprašné vrtání stropů ⑬
- Vrtání dlaždic bez skluzu ⑬
- Další tipy najdete na [www.skil.com](http://www.skil.com)

## ÚDRŽBA / SERVIS

- Tento nástroj není určen k profesionálnímu použití
- Nástroj nikdy sami neotevírejte ⑬
- Nástroj a přírodní šňůru udržujte čisté (zejména větrací štěrbiny H ②)
  - ! **před čištěním odpojte zástrčku**
- Pokud dojde i přes pečlivou výrobu a náročné kontroly k poruše nástroje, světe provedení opravy autorizovanému servisnímu středisku pro elektronářadí firmy SKIL
  - zašlete nástroj **nerozebraný** spolu s potvrzením o nákupu své prodejny nebo nejbližšímu servisu značky SKIL (adresy a servisní schéma nástroje najdete na [www.skil.com](http://www.skil.com))

## ŽIVOTNÍ PROSTŘEDÍ

- **Elektrické nářadí, doplňky a balení nevyhazujte do komunálního odpadu** (jen pro státy EU)
  - podle evropské směrnice 2012/19/EG o nakládání s použitými elektrickými a elektrickými zařízeními a odpovídajících ustanovení právních předpisů jednotlivých zemí se použítá elektrická nářadí, musí sbírat odděleně od ostatního odpadu a podrobit ekologicky šetrnému recyklování
  - symbol ⑰ na to upozorňuje

## PROHLÁŠENÍ O SHODĚ ČĚ

- Potvrzujeme na odpovědnost, že tento výrobek odpovídá následujícím normám nebo normativním podkladům: EN 60745, EN 61000, EN 55014, podle ustanovení směrnice 2004/108/ES, 2006/42/ES, 2011/65/EU
- **Technická dokumentace u:** SKIL Europe BV (PT-SEU/ENG1), 4825 BD Breda, NL

Marijn van der Hoofden      Olaf Dijkgraaf  
Operations & Engineering      Approval Manager




SKIL Europe BV, 4825 BD Breda, NL

09.12.2013

## HLUČNOSTI/VIBRACÍ

- Měřeno podle EN 60745 činí tlak hlukové vlny tohoto přístroje 95 dB(A) a dávka hlučnosti 106 dB(A) (standardní odchylka: 3 dB), a vibrací \* m/s<sup>2</sup> (metoda ruka-paže; nepřesnost K = 1,5 m/s<sup>2</sup>)
  - \* při vrtání do betonu s příklepem 17,0 m/s<sup>2</sup>
  - \* při sekání 16,0 m/s<sup>2</sup>

- Úroveň vibrací byla měřena v souladu se standardizovaným testem podle EN 60745; je možné ji použít ke srovnání jednoho přístroje s druhým a jako předběžné posouzení vystavování se vibracím při používání přístroje k uvedeným aplikacím
- používání přístroje k jiným aplikacím nebo s jiným či špatně udržovaným příslušenstvím může zásadně **zvýšit** úroveň vystavení se vibracím
- doba, kdy je přístroj vypnutý nebo kdy běží, ale ve skutečnosti není využíván, může zásadně **snižit** úroveň vystavení se vibracím
- ! **chraňte se před následky vibrací tak, že budete dbát na údržbu přístroje a příslušenství, budete si udržovat teplé ruce a uspořádáte si své pracovní postupy**

TR

Křivčí-delící

1766

## GİRİS

- Bu alet, beton, tuğla ve taş malzemede darbeli delme işleri için ve hafif keski işleri için geliştirilmiştir; tahta, metal, ve plastik malzemede delme ve vidalama işlerine belirli aksesuarı kullanır
- Bu aletin darbeli delme sistemi, betonda delme işlerinde bütün diğer darbeli matkapların performansını büyük ölçüde aşar
- Bu aletle bütün normal SDS+ aksesuarları kullanılabilir
- Bu alet profesyonel kullanıma yönelik değildir
- Bu kullanma kılavuzunu okuyun ve saklayın ③

## TEKNİK VERİLER ①

- \* EPTA-Procedure 05/2009'a göre tek darbe kuvveti -> değer henüz mevcut değil

## ALET BİLEŞENLERİ ②

- A Açma/kapama şalteri
- B Maksimum hızı ayar düğmesi
- C Kilit açma düğmesi
- D Çalıştırma modunu seçme anahtar
- E İkinci çalıştırma modunu seçme anahtar
- F Sürgülü kovani
- G Yedek tutamak
- H Havalandırma yuvaları
- J Derinlik ayarı

## GÜVENLİK

### GENEL GÜVENLİK TALİMATI

**⚠ DİKKAT!** Bütün uyarıları ve talimat hükümlerini okuyun. Açıklanan uyarıları ve talimat hükümlerine uyulmadığı takdirde elektrik çarpmalarına, yangınlara ve/veya ağır yaralanmalara neden olunabilir. **Bütün uyarıları ve talimat hükümlerini ilerde kullanmak üzere saklayın.** Uyarı ve talimat hükümlerinde kullanılan "elektrikli el aleti" kavramı, akım şebekesine bağlı (şebeke bağlantı

kablosu ile) aletlerle akü ile çalışan aletleri (akım şebekesine bağlantısı olmayan aletler) kapsamaktadır.

### 1) ÇALIŞMA YERİ GÜVENLİĞİ

- Çalıştığınız yeri temiz ve düzenli tutun.** İşyerindeki düzensizlik veya yetersiz aydınlatma kazalara neden olabilir.
- Yanıcı sıvıların, gazların veya tozların bulunduğu ortamlarda çalışmayın.** Elektrikli el aletleri, toz veya buharların tutuşmasına veya yanmasına neden olan kıvılcımlar çıkarırlar.
- Elektrikli el aletinizle çalışırken çocukları ve başkalarını çalışma alanınızın dışında tutun.** Yakınızdaki bulunan kişiler dikkatinizi dağıtabilir ve bu da alet üzerindeki kontrolünüzü kaybetmenize neden olabilir.

### 2) ELEKTRİKSEL GÜVENLİK

- Aletinizin bağlantı fişi prize uymalıdır. Fişi hiçbir şekilde değiştirmeyin. Koruyucu topraklamalı aletlerle adaptörlü fiş kullanmayın.** Değiştirilmemiş, orijinal fiş ve uygun prizler elektrik çarpmaya tehlikesini azaltır.
- Borular, kalorifer tesisatı, ısıtıcılar ve buzdolapları gibi topraklanmış yüzeylerle bedensel temasa gelmekten kaçının.** Eğer bedeniniz topraklanacak olursa yüksek bir elektrik çarpmaya tehlikesi ortaya çıkar.
- Aletinizi yağmur ve nemden koruyun.** Elektrikli el aletinin içinde suyun sızması elektrik çarpmaya tehlikesini yükseltir.
- Kabloyu kendi amacı dışında kullanmayın; örneğin aleti kablodan tutarak taşımayın, aleti kablo ile asmayın veya kablodan çekerek fiş prizden çıkarmayın. Kabloyu aşırı sıcaktan, yağlardan, keskin kenarlı cisimlerden veya aletin hareketli parçalarından uzak tutun.** Hasarlı veya dolaşmış kablo elektrik çarpmaya tehlikesini yükseltir.
- Elektrikli el aletinizle açık havada çalışırken mutlaka açık havada kullanılmaya müsadeleli uzatma kablosu kullanın.** Açık havada kullanılmaya uygun ve müsadeleli uzatma kablosunun kullanılması elektrik çarpmaya tehlikesini azaltır.
- Elektrikli el aletinin nemli ortamlarda çalıştırılması şartsa, mutlaka toprak kaçağı devre kesicisi kullanın.** Toprak kaçağı devre kesicisi kullanımı elektrik çarpmaya tehlikesini azaltır.

### 3) KİŞİLERİN GÜVENLİĞİ

- Dikkatli olun, ne yaptığınızı dikkat edin ve elektrikli el aletinizle çalışırken makul hareket edin.** Yorgunsanız, hap, ilaç veya alkol almışsanız aletinizi kullanmayın. Aletinizi kullanırken bir anlık dikkatsizliğiniz ciddi yaralanmalara yol açabilir.
- Daima kişisel korunma donanımları ve bir koruyucu gözlük kullanın.** Elektrikli el aletinin türü ve kullanımına uygun olarak kullanacağınız toz maskesi, kaymayan sağlam iş ayakkabıları, koruyucu kask veya koruyucu kulaklık gibi kişisel korunma donanımlarını kullanmanızı yaralanma tehlikesini büyük ölçüde azaltır.
- Aleti yanlışlıkla çalıştırmaktan kaçının. Akım ikmal şebekesine ve/veya aküye bağlanmadan, elinize alıp taşımadan önce elektrikli el aletinin kapalı durumda olduğundan emin olun.** Elektrikli el aletini parmağınız

şalter üzerinde dururken taşırırsanız ve alet açıkken fişi prize sokarsanız kazalara neden olabilirsiniz.

- d) **Aleti çalıştırmadan önce ayar aletlerini veya tornavidaları aletten uzaklaştırın.** Dönen alet parçasına temas halinde bulunan bir uç veya anahtar yaralanmalara neden olabilir.
- e) **Kendinize çok fazla güvenmeyin. Duruşunuzun güvenli olmasına dikkat edin ve daima denginizi koruyun.** Bu sayede aletinizi beklenmedik durumlarda daha iyi kontrol edersiniz.
- f) **Uygun iş giysileri giyin. Çalışırken çok bol giysiler giymeyin ve takı takmayın. Saçlarınızı, giysilerinizi ve eldivenlerinizi aletin hareketli parçalarından uzak tutun.** Bol giysiler, takılar veya uzun saçlar aletin hareketli parçaları tarafından tutulabilir.
- g) **Aletinize toz emme donanımı ve toz tutma donanımı takılabiliyorsa, bunların bağlı olup olmadığını ve doğru işlev görüp görmediklerini kontrol edin.** Toz emme donanımının kullanımı tozdan kaynaklanabilecek tehlikeleri azaltır.

#### 4) ELEKTRİKLİ EL ALETLERİYLE DİKKATLİ ÇALIŞMAK VE ALETİ DOĞRU KULLANMAK

- a) **Aletinizi aşırı ölçüde zorlamayın. İşinize uygun elektrikli el aletini kullanın.** Uygun elektrikli el aleti ile belirtilen performans alanında daha iyi ve daha güvenli çalışırsınız.
- b) **Açma/kapama şalteri arızalı olan elektrikli el aletini kullanmayın.** Açılıp kapanamayan bir elektrikli el aleti tehlikelidir ve onarılması gerekir.
- c) **Alette bir ayarlama işlemine başlamadan ve/veya aküyü çıkarmadan önce, herhangi bir aksesuarı değiştirirken veya aleti elinizden bırakırken fişi prizden çekin.** Bu önlem, aletin kontrolünüz dışında ve istenmeden çalışmasını önler.
- d) **Kullanım dışında iken elektrikli el aletinizi çocukların ulaşamayacağı bir yerde saklayın. Aleti kullanmayı bilmeyen veya bu güvenlik talimatını okumayan kişilerin aleti kullanmasına izin vermeyin.** Deneyimsiz kişiler tarafından kullanıldıkları takdirde elektrikli el aletleri tehlikeli olabilirler.
- e) **Aletin bakımını özenle yapın. Aletin hareketli parçalarının kusursuz işlev görüp görmediklerini ve sıkışmadıklarını, parçaların kırık veya hasarlı olup olmadıklarını kontrol edin, aksi takdirde alet işlevini tam olarak yerine getiremez. Aletinizi kullanmadan önce hasarlı parçalarını onartın.** Birçok iş kazası aletlerin kötü ve yetersiz bakımından kaynaklanır.
- f) **Kesici uçları keskin ve temiz tutun.** İyi bakım görmüş kesici uçlar daha ender sıkışır ve daha iyi yönlendirilirler.
- g) **Elektrikli el aletlerini, aksesuarı, uçları ve benzerlerini bu güvenlik talimatına uygun olarak kullanın. Aletinizi kullanırken çalışma koşullarını ve yaptığınız işi daima dikkate alın.** Elektrikli el aletlerini kendileri için öngörülen işlerin dışında kullanmak tehlikeli durumlara ortaya çıkmasına neden olabilir.

#### 5) SERVİS

- a) **Aletinizi sadece uzman bir elemana ve orijinal yedek parçalar kullanılarak onartın.** Böylelikle aletin güvenliğini korumuş olursunuz.

#### KIRICI-DELİCİLER İÇİN GÜVENLİK TALİMATI

- **Koruyucu kulaklık kullanın** (çalışırken çıkan gürültü kalcı işitme kayıplarına neden olabilir)
- **Aleti ile birlikte teslim edilen ek tutamağı kullanın** (aletin kontrolünün kaybı yaralanmalara neden olabilir)
- İş parçasının vida, çivi ve benzeri malzeme tarafından hasar görmemesi için dikkatli olun; çalışmaya başlamadan önce bunları çıkartın
- Kabloyu her zaman aletin hareketli parçalarından uzak tutun
- **Çalıştığınız parçayı sabitleyin** (kıskaçlarla ya da mengeneyle sabitlenmiş bir iş parçası elle tutulan işten daha güvenlidir)
- Aletinizi bırakıp gitmeden önce mutlaka kapatın ve döner parçaların tam olarak durmasını bekleyin
- Tamamen kusursuz ve güvenli 16 Amp uzatma kabloları kullanın
- Elektriksel veya mekaniksel hatalı çalışma durumunda aleti hemen kapatın ve fişi çekin
- SKIL sadece orijinal aksesuarlar kullanıldığında aletin düzgün çalışmasını garanti eder
- Bu aletle kullanacağınız aksesuar edilen devir sayısı en azından aletin boşta en yüksek devir sayısı kadar olmalıdır
- Bu alet 16 yaşının altındaki kişiler tarafından kullanılmamalıdır
- **Görünmeyen elektrik kablolarını belirlemek için uygun bir tarama cihazı kullanın veya yerel akım ikmal şirketlerinden yardım isteyin** (elektrik kablolarıyla temas, yangın çıkmasına veya elektrik çarpmasına neden olabilir; bir gaz borusu hasar görürse patlama tehlikesi ortaya çıkar; bir su borusunun delinmesi halinde maddi hasarlar meydana gelebilir veya elektrik çarpmaya tehlikesi ortaya çıkar)
- **Çalışma esnasında uç görünmeyen elektrik kablolarına veya kendi bağlantı kablosuna temas etme olasılığı olan işleri yaparken aleti sadece izolasyonlu tutamaklarından tutun** (gerilim ileten kablolarla temas elektrikli el aletinin metal parçalarını da elektrik akımına maruz bırakabilir ve elektrik çarpmasına neden olabilir)
- **Bu aletle asbest içeren malzemeleri işlemeyin** (asbest kanserojen bir madde kabul edilir)
- Kurşun içeren boya, bazı ahşap türleri, mineral ve metal gibi malzemelerden çıkan toz zararlı olabilir (tozla temasta bulunulması veya solunması operatörde veya yakında bulunan kişilerde alerjik reaksiyonlara ve/veya solunum yolu hastalıklarına neden olabilir); **toz maskesi takın ve toz ekstraksiyon cihazıyla çalışın (bağlanabiliyorsa)**
- Bazı toz tipleri (örneğin meşe ve kayın ağacı tozu), bilhassa ahşap yenileme katkı maddeleriyle birlikte, kanserojenik olarak sınıflandırılır; **toz maskesi takın ve toz ekstraksiyon cihazı ile çalışın (bağlanabiliyorsa)**
- Çalışmak istediğiniz malzemelerin, toz ile ilgili ulusal taleplerini takip ediniz
- Eğer cihazı kullanırken kordon hasar görür yada kesilirse, kordona kesinlikle dokunmayınız ve derhal fişi çekiniz
- Kordon hasarlı iken cihazı kesinlikle kullanmayınız; uzman bir kişi tarafından değiştiriniz

- Güç geriliminin, aletin özellik plakasında belirtilen voltaj değeriyle aynı olduğunu sık sık kontrol edin (230V veya 240V aletler 220V kaynağa bağlanabilir)
- Eğer matkap beklenmedik şekilde sıkırsa (ani tehlikeli bir tepkiye sebep olarak) aleti hemen kapatın
- Sıkışma yüzünden meydana gelebilecek güçlerin farkında olun (özellikle metal delerken); **daime yardımcı kulpunu G ② kullanın** ve güvenli bir duruş alın
- **İstedığınız ayar değişikliklerini ve aksesuar değişikliklerini yapmadan önce mutlaka şebeke fişini prizden çekin**

## KULLANIM

- Açma/kapama ④
- Maksimum hız kontrolü ⑤  
Ayar düğmesi B ile maksimum hız en en düşük değerden en yüksek değere kadar kademesiz olarak ayarlanabilir (1-6)
- Çalıştırma modunu seçme ⑥  
**! çalıştırma modunu sadece alet kapalıyken ve cihazın fisi takılı değilken seçin**  
- D anahtarın kilidini açmak için C düğmesine basın  
- önce D anahtar kilitlenceye kadar istenen çalıştırma moduna getirin  
- ardından E anahtar istenen çalıştırma moduna getirin  
1 = normal delme/vidalama  
2 = darbeli delme  
3 = yontma  
**! ancak D anahtar kilitlendiği zaman çalışmaya başlayın**  
- tahta, metal ve plastik malzemede delme ve vidalama ona ait adaptörü kullanın (bakınız: Uygulama)  
- darbeli delme mekanizması, matkap ucu iş parçasına temas ettikten sonra alete hafifçe bastırarak suretiyle devreye girer  
- darbeli delme mekanizmasının tam darbe gücüne ulaşması kısa bir süre alacaktır  
- alete çok fazla baskı uygulamayın, bırakın alet sizin için çalışsın
- Uçları değiştirme ⑦  
**! aksesuarı SDS+ takmadan önce temizleyin ve hafifçe yağlayın**  
- sürgülü kovanını F ② geriye çekin ve aksesuarı SDS+ mandrene takın ve kavrayana kadar döndürün ve bastırın; aksesuar kendiliğinden kilitletir  
- aksesuarı çekerek kilitletmeyi kontrol edin  
- sürgülü kovanını F geri çekerek aksesuarı çıkartın  
**! SDS+ aksesuarı sürtünmesiz ve serbet hareket etmelidir; bunun sonucunda boşta çalışmadan konsantriklikte bir sapma olur, ancak delme sırasında bu dönme hareketi otomatik olarak merkezlenir; bunun delik hassaslığı ve tamlığı üzerinde bir etkisi olmaz**  
**! hasarlı uçları/keskileri kullanmayın**
- Emniyet debriyajı  
Matkap ucu sıkışacak veya takılacak olursa, emniyet debriyajı matkap milinin hareketini keser  
- aleti hemen kapatın  
- takırdama sesi çıkartan aksesuarı çıkartın  
- aleti tekrar çalıştırın
- Delik derinliğinin ayarlanması ⑧

- Aletin tutulması ve kullanılması ⑨  
**! çalışma esnasında, aleti daima gri renkli bölge(ler)den tutun(uz)**  
- **daime yardımcı kulpunu G ② kullanın** (gösterildiği gibi ayarlanabilir)  
- havalandırma yuvalarını H ② açık tutun

## UYGULAMA

- Uygun uçları kullanın ⑩  
**! sadece keskin uçlar/keskiler kullanın**
- Tahta, metal ve plastik malzemede delme ve vidalama ona ait adaptörü (SKIL aksesuar 2610395660) kullanın ⑪  
- adaptörü takmadan önce temizleyin ve hafifçe yağlayın  
- sürgülü kovanını F ② geriye çekin ve adaptör SDS+ mandrene takın ve kavrayana kadar döndürün ve bastırın; adaptör kendiliğinden kilitletir  
- adaptörü çekerek kilitletmeyi kontrol edin  
- şalteri D ② normal delme pozisyonuna getirin (**sadece alet kapalıyken ve cihazın fisi takılı değilken**)
- Metalde delik açarken  
- önce küçük bir kılavuz delik açın  
- matkap uçlarını belirli aralıklarla yağlayın
- Bir tahtanın baş kısmına veya sonuna bir vida vidalanırken, tahtanın yarılmaması için bir ön kılavuz delik açın
- Tahtada çatlaksız delme ⑫
- Duvarlarda tozsuz delme ⑬
- Tavanlarda tozsuz delme ⑭
- Fayans üzerinde kaydırmadan delme ⑮
- Daha fazla ipucu için [www.skil.com](http://www.skil.com) sitesini gezin

## BAKIM / SERVİS

- Bu alet profesyonel kullanıma yönelik değildir
- Cihazı kesinlikle kendiniz açmaya çalışmayın ⑯
- Aleti ve kablosunu daima temiz tutun (özellikle havalandırma yuvalarını H ②)  
**! temizlemeden önce, cihazın fişini prizden çekin**
- Dikkatli biçimde yürütülen üretim ve test yöntemlerine rağmen aleti arıza yapacak olursa, onarım SKIL elektrikli aletleri için yetkili bir servise yapılmalıdır  
- aleti ambalajıyla birlikte satın alma belgenizde ekleyerek satıcınıza veya en yakın SKIL servisine ulaştırın (adresler ve aletin servis şemaları [www.skil.com](http://www.skil.com) adresinde listelenmiştir)

## ÇEVRE

- Elektrikli aletlerini, aksesuarları ve ambalajları evdeki çöp kutusuna atmayınız (sadece AB ülkeleri için)  
- kullanılmış elektrikli aletleri, elektrik ve elektrikli eski cihazlar hakkındaki 2012/19/EC Avrupa yönergelerine göre ve bu yönergeler ulusal hukuk kurallarına göre uyarlanarak, ayrı olarak toplanmalı ve çevre şartlarına uygun bir şekilde tekrar değerlendirmeye gönderilmelidir  
- sembol ⑰ size bunu anımsatmalıdır

## UYGUNLUK BEYANI CE

- Yeğane sorumlu olarak, bu ürünün aşağıdaki standartlara veya standart belgelerine uygun olduğunu beyan ederiz: EN 60745, EN 61000, EN 55014, yönetmeliği hükümleri uyarınca 2004/108/EG, 2006/42/EG, 2011/65/EU
- Teknik belgelerin bulunduğu merkez:** SKIL Europe BV (PT-SEU/ENG1), 4825 BD Breda, NL

Marijn van der Hoofden  
Operations & Engineering

Olaf Dijkgraaf  
Approval Manager

SKIL Europe BV, 4825 BD Breda, NL

09.12.2013

## GÜRÜLTÜ/TİTREŞİM

- Ölçülen EN 60745 göre ses basıncı bu makinanın seviyesi 95 dB(A) ve çalışma sırasındaki gürültü 106 dB(A) (standart sapma: 3 dB), ve titreşim \* m/s<sup>2</sup> (el-kol metodu; tolerans K = 1,5 m/s<sup>2</sup>)
    - \* betonde darbeli delerken 17,0 m/s<sup>2</sup>
    - \* keskimle esasında 16,0 m/s<sup>2</sup>
  - Titreşim emisyon seviyesi EN 60745'te sunulan standart teste göre ölçülmüştür; bu seviye, bir aleti bir başkasıyla karşılaştırmak amacıyla ve aletin söz konusu uygulamalarda kullanılması sırasında titreşime maruz kalma derecesinin ön değerlendirmesi olarak kullanılabilir
    - aletin farklı uygulamalar için veya farklı ya da bakımı yetersiz yapılmış aksesuarlarla kullanılması, maruz kalma seviyesini belirgin biçimde **artırabilir**
    - aletin kapalı olduğu veya çalıştığı ancak gerçek anlamda iş yapmadığı zamanlarda, maruz kalma seviyesi belirgin biçimde **azalabilir**
- ! aletin ve aksesuarlarının bakımını yaparak, ellerinizi sıcak tutarak ve iş modellerinizi düzenleyerek kendinizi titreşimin etkilerinden koruyun**

PL

## Młot udarowo-obrotowy

1766

## WSTĘP

- Wiertarka przeznaczona jest do wiercenia udarowego w betonie, cegle i kamieniu oraz do lekkiego dłutowania; do wiercenia w drewnie, metalu i tworzywach sztucznych oraz do wkręcania stosować odpowiedni osprzęt
- Zastosowany system udarowy pozwala na osiągnięcie znacznie większych wydajności wiercenia w betonie w porównaniu do wiertarek udarowo-obrotowych
- Elektronarzędzie przystosowane jest do mocowania narzędzi roboczych z chwytym wykonanym w standardzie SDS+
- Narzędzie nie jest przeznaczone do zastosowań profesjonalnych
- Przeczytać i zachować niniejszą instrukcję obsługi ③

## PARAMETRY TECHNICZNE ①

- \*) Energia uderu zgodna z EPTA-Procedure 05/2009 -> wartość nie jest jeszcze dostępna

## ELEMENTY NARZĘDZIA ②

- A Przycisk włącznik/wyłącznik
- B Pokrętko do kontrola maksymalnej prędkości obrotowej
- C Przycisk zwolnienia blokady
- D Przełącznik wyboru trybu działania
- E Drugi przełącznik wyboru trybu działania
- F Tuleja blokująca
- G Uchwyt dodatkowy
- H Szczeliny wentylacyjne
- J Ogranicznik głębokości wiercenia

## BEZPIECZEŃSTWO

### OGÓLNE PRZEPISY BEZPIECZEŃSTWA

**⚠ UWAGA! Należy przeczytać wszystkie wskazówki i przepisy.** Błędy w przestrzeganiu poniższych wskazówek mogą spowodować porażenie prądem, pożar i/lub ciężkie obrażenia ciała. **Należy starannie przechowywać wszystkie przepisy i wskazówki bezpieczeństwa dla dalszego zastosowania.** Użyte w poniższym tekście pojęcie "elektronarzędzie" odnosi się do elektronarzędzi zasilanych energią elektryczną z sieci (z przewodem zasilającym) i do elektronarzędzi zasilanych akumulatorami (bez przewodu zasilającego).

### 1) BEZPIECZEŃSTWO MIEJSCA PRACY

- Miejsce pracy należy utrzymywać w czystości i dobrze oświetlone.** Nieporządek lub nie oświetlone miejsce pracy mogą doprowadzić do wypadków.
- Nie należy pracować tym narzędziem w otoczeniu zagrożonym wybuchem, w którym znajdują się np. łatwopalne ciecze, gazy lub pyły.** Elektronarzędzia wytwarzają iskry, które mogą podpalić ten pył lub pary.
- Elektronarzędzie trzymać podczas pracy z daleka od dzieci i innych osób.** Przy nieuwadze można stracić kontrolę nad narzędziem.

### 2) BEZPIECZEŃSTWO ELEKTRYCZNE

- Wtyczka urządzenia musi pasować do gniazda. Nie wolno modyfikować wtyczki w jakikolwiek sposób. Nie należy używać wtyczek adapterowych razem z uziemionymi narzędziami.** Niezmienione wtyczki i pasujące gniazda zmniejszają ryzyko porażenia prądem.
- Należy unikać kontaktu z uziemionymi powierzchniami jak rury, grzejniki, piece i lodówki.** Istnieje zwiększone ryzyko porażenia prądem, gdy Państwa ciało jest uziemione.
- Urządzenie należy przechowywać zabezpieczone przed deszczem i wilgocią.** Wniknięcie wody do elektronarzędzia podwyższa ryzyko porażenia prądem.
- Nigdy nie należy używać kabla do innych czynności. Nigdy nie używać kabla do noszenia urządzenia za kabel, zawieszenia lub do wyciągania wtyczki z gniazda. Kabel należy trzymać z daleka od wysokich temperatur, oleju, ostrych krawędzi lub ruchomych części urządzenia.** Uszkodzone lub poplątane kable zwiększają ryzyko porażenia prądem.

- e) W przypadku, kiedy elektronarzędziem pracuje się na świeżym powietrzu należy używać kabla przedłużającego, który dopuszczony jest do używania na zewnątrz. Użycie dopuszczonego do używania na zewnątrz kabla przedłużającego zmniejsza ryzyko porażenia prądem.
- f) Jeżeli nie da się uniknąć zastosowania elektronarzędzia w wilgotnym otoczeniu, należy użyć wyłącznika ochronnego różnicowo-prądowego. Zastosowanie wyłącznika ochronnego różnicowo-prądowego zmniejsza ryzyko porażenia prądem.
- 3) BEZPIECZEŃSTWO OSÓB**
- a) Należy być uważnym, uważać na to co się robi i pracę elektronarzędziem rozpoczynać z rozsądkiem. Nie należy używać urządzenia gdy jest się zmęczonym lub pod wpływem narkotyków, alkoholu lub lekarstw. Moment nieuwagi przy użyciu urządzenia może doprowadzić do poważnych urażeń ciała.
- b) Należy nosić osobiste wyposażenie ochronne i zawsze okulary ochronne. Noszenie osobistego wyposażenia ochronnego jak maska przeciwpyłowa, nie ślizgające się buty robocze, hełm ochronny lub ochrona słuchu, w zależności od rodzaju i zastosowania elektronarzędzia zmniejsza ryzyko obrażeń ciała.
- c) Należy unikać niezamierzonego uruchomienia narzędzia. Przed włożeniem wtyczki do gniazdka i/ lub podłączeniem do akumulatora, a także przed podniesieniem lub przeniesieniem elektronarzędzia, należy upewnić się, że elektronarzędzie jest wyłączone. Trzymanie palca na wyłączniku podczas przenoszenia elektronarzędzia lub podłączenie do prądu włączanego narzędzia, może stać się przyczyną wypadków.
- d) Zanim urządzenie zostanie włączone należy usunąć narzędzia nastawcze lub klucze. Narzędzie lub klucz, które znajdują się w ruchomych częściach urządzenia mogą doprowadzić do obrażeń ciała.
- e) Nie należy przeceniać swoich możliwości. Należy dbać o bezpieczną pozycję pracy i zawsze utrzymywać równowagę. Przez to możliwa jest lepsza kontrola urządzenia w nieprzewidzianych sytuacjach.
- f) Należy nosić odpowiednie ubranie. Nie należy nosić luźnego ubrania lub biżuterii. Włosy, ubranie i rękawice należy trzymać z daleka od ruchomych elementów. Luźne ubranie, biżuteria lub długie włosy mogą zostać pociągnięte przez poruszające się części.
- g) W przypadku, kiedy możliwe jest zamontowanie urządzeń odsysających lub podchwytyjących należy upewnić się, czy są one właściwie podłączone i prawidłowo użyte. Użycie urządzenia odsysającego pył może zmniejszyć zagrożenie pyłami.
- 4) UWAŻNE OBCOWANIE ORAZ UŻYCIE ELEKTRONARZĘDZIA**
- a) Nie należy przeciążać urządzenia. Do pracy używać należy elektronarzędzia, które jest do tego przewidziane. Odpowiednim narzędziem pracuje się lepiej i bezpieczniej w podanym zakresie sprawności.
- b) Nie należy używać elektronarzędzia, którego wyłącznik/wyłącznik jest uszkodzony. Elektronarzędzie, którego nie można włączyć lub wyłączyć jest niebezpieczne i musi zostać naprawione.
- c) Przed regulacją urządzenia, wymianą osprzętu lub po zaprzestaniu pracy narzędziem, należy wyciągnąć wtyczkę z gniazda i/lub usunąć akumulator. Ten środek ostrożności zapobiega niezamierzonemu włączeniu się urządzenia.
- d) Nie używane elektronarzędzia należy przechowywać poza zasięgiem dzieci. Nie należy udostępniać narzędzia osobom, które jego nie umieją lub nie przeczytały tych przepisów. Używane przez niedoświadczone osoby elektronarzędzia są niebezpieczne.
- e) Urządzenie należy starannie konserwować. Należy kontrolować, czy ruchome części urządzenia funkcjonują bez zarzutu i nie są zablokowane, czy części nie są pęknięte lub uszkodzone, co mogłoby mieć wpływ na prawidłowe funkcjonowanie urządzenia. Uszkodzone narzędzie należy przed użyciem urządzenia oddać do naprawy. Wiele wypadków spowodowanych jest przez niewłaściwą konserwację elektronarzędzi.
- f) Osprzęt tnący należy utrzymywać ostry i czysty. Starannie pielęgnowany osprzęt tnący z ostrymi krawędziami tnącymi blokuje się rzadziej i łatwiej się używa.
- g) Elektronarzędzia, osprzęt, narzędzia itd. należy używać odpowiednio do tych przepisów. Uwzględnić należy przy tym warunki pracy i czynność do wykonania. Użycie elektronarzędzi do innych niż przewidziane prace może doprowadzić do niebezpiecznych sytuacji.
- 5) SERWIS**
- a) Naprawę urządzenia należy zlecić jedynie kwalifikowanemu fachowcowi i przy użyciu oryginalnych części zamiennych. To gwarantuje, że bezpieczeństwo użytkowania zostanie zachowane.

## PRZEPISY BEZPIECZEŃSTWA DO MŁOTÓW

- Zakładać ochronniki słuchu (wpływ hałasu może spowodować utratę słuchu)
- Narzędzia używać z dodatkowymi rękawicami dostarczonymi z narzędziem (utrata kontroli może spowodować osobiste obrażenia operatora)
- Uwaga na gwoździe, śruby i inne twarde przedmioty; przed przystąpieniem do obróbki powinny być usunięte z obrabianego przedmiotu; usunąć je przed rozpoczęciem pracy
- Kabel zasilający powinien stale znajdować się w bezpiecznej odległości od wirującej części elektronarzędzia
- Należy zabezpieczyć miejsce przeznaczone do zszycia (miejsce przeznaczone do zszycia umieszczone w zaciskach lub imadle jest utrzymywane w miejscu bezpieczniej niż w ręku)
- Przed pozostawieniem elektronarzędzia należy odłączyć zasilanie elektryczne i odczekać do całkowitego zatrzymania się wrzeciona
- W przypadku korzystania z kabla przedłużającego należy zwrócić uwagę, aby był maksymalnie nawinięty na bęben oraz był przystosowany do przewodzenia prądu o natężeniu przynajmniej 16 A

- W przypadku wadliwego działania mechanicznych lub elektrycznych elementów urządzenia, należy bezzwocznie odłączyć narzędzie i wyjąć wtyczkę
- SKIL może zagwarantować bezawaryjne działanie narzędzia tylko przy korzystaniu z oryginalnego wyposażenia dodatkowego
- Używać tylko akcesoriów, których dopuszczalna prędkość obrotowa jest co najmniej tak wysoka jak najwyższa prędkość obrotowa urządzenia na biegu bez obciążenia
- Narzędzie nie powinny używać dzieci poniżej 16 roku życia
- **Aby wykryć ukryte przewody zasilające należy używać stosownych detektorów lub porozumieć się z miejscowymi zakładami energetycznymi** (kontakt z przewodami elektrycznymi może doprowadzić do pożaru i porażenia elektrycznego; uszkodzenie przewodu gazowego może doprowadzić do wybuchu; uszkodzenie przewodów instalacji wodociągowej powoduje szkody rzeczowe i może spowodować porażenie elektryczne)
- **Podczas wykonywania prac, przy których narzędzie robocze mogłoby natrafić na ukryte przewody elektryczne lub na własny przewód zasilający, elektronarzędzie należy trzymać za izolowane powierzchnie rękojeści** (kontakt z przewodem sieci zasilającej może spowodować przekazanie napięcia na części metalowe elektronarzędzia, co mogłoby spowodować porażenie prądem elektrycznym)
- **Nie należy obrabiać materiału zawierającego azbest** (azbest jest rakotwórczy)
- Pył pochodzący z takich materiałów, jak farby zawierające ołów, niektóre gatunki drzewa, minerały i metal może być szkodliwy (kontakt z nim lub wdychanie takiego pyłu może powodować reakcje alergiczne i/lub niewydolność oddechową u operatora lub osób towarzyszących); **należy zakładać maskę przeciwpyłową i pracować z urządzeniem odsysającym, jeżeli można je podłączyć**
- Niektóre rodzaje pyłu są zaklasyfikowane jako rakotwórcze (takie, jak pył dębu i buka) szczególnie w połączeniu z dodatkami do kondycjonowania drewna; **należy zakładać maskę przeciwpyłową i pracować z urządzeniem odsysającym pył, jeżeli można je podłączyć**
- Należy stosować się do lokalnych wymogów dotyczących pracy w otoczeniu pyłu powstającego podczas obróbki materiału
- W przypadku uszkodzenia lub przecięcia przewodu podczas pracy, nie wolno go dotykać, tylko należy natychmiast wyciągnąć z gniazdka wtyczkę
- Pod żadnym pozorem nie wolno korzystać z narzędzia z uszkodzonym przewodem; zlecę jego wymianę wykwalifikowanej osobie
- Każdorazowo należy sprawdzać, czy napięcie zasilania jest zgodne z napięciem podanym na tabliczce znamionowej urządzenia (narzędzia na napięcie znamionowe 230V lub 240V zasilane można także napięciem 220V)
- Natychmiast wyłączyć narzędzie, gdy wiertło niespodziewanie ulegnie zakleszczeniu (wywołując nagłą, niebezpieczną reakcję)

- Należy zdawać sobie sprawę z sił, jakie powstają w wyniku zakleszczenia (szczególnie podczas wiercenia w metalu); **należy zawsze korzystać z pomocniczy uchwyty** ② i zachowywać bezpieczną odległość
- **Przed przystąpieniem do wykonywania jakichkolwiek czynności przy narzędziu, w czasie przerw w pracy jak również po jej zakończeniu wyjąć wtyczkę z gniazda sieciowego**

## UŻYTKOWANIE

- Włącznik/wyłącznik ④
- Kontrola maksymalnej prędkości obrotowej ⑤  
Pokrętko B umożliwia dokonanie bezstopniowego wyboru maksymalnej prędkości obrotowej od wartości minimalnych do maksymalnych (1-6)
- Wybór trybu działania ⑥
  - ! **tryb pracy wybieraj tylko przy wyłączonym urządzeniu i odłączonym zasilaniu**
  - nacisnąć przycisk C, aby odblokować przełącznik D
  - najpierw przekręcić przełącznik D na odpowiedni tryb pracy, do momentu jego zatrzaśnięcia
  - następnie przekręcić przełącznik E na odpowiedni tryb pracy
  - 1 = normalne wiercenie/wkręcanie
  - 2 = wiercenie udarowe
  - 3 = dłutowanie
- ! **pracę rozpoczynać tylko, jeśli przełącznik D jest zablokowany**
  - do wiercenia w drewnie, metalu i tworzywach sztucznych oraz do wkręcania stosować odpowiedniego adaptera (patrz Wskazówki użytkownika)
  - mechanizm udarowy uruchamiany jest w momencie wywarcia niewielkiego nacisku na wiertło przy jego zetknięciu się z powierzchnią obrabianego materiału
  - mechanizm udarowy osiąga pełną moc po krótkim okresie czasu
  - nie przyciskać urządzenia zbyt silnie; pozwól mu pracować dla ciebie
- Wymiana wiertel ⑦
  - ! **przed umieszczeniem osprzętu SDS+ wyczyść go i lekko nasmaruj**
  - pociągnąć do siebie tuleję blokującą F ② i umieścić osprzętu w uchwycie SDS+ jednocześnie obracając go i wciskając aż do zetknięcia; osprzęt zostanie automatycznie zablokowany
  - pociągnąć osprzęt, aby sprawdzić czy jest prawidłowo zablokowany
  - wysunąć osprzęt pociągając tuleję blokującą F do siebie
  - ! **zgodnie z zasadą mocowania SDS+ osprzęt po wsunięciu do uchwytu powinno mieć możliwość niewielkiego poruszania się; w skutek tego w biegu luzem powstaje bicie promieniowe, które zanika w momencie rozpoczęcia wiercenia i wiertło centruje się samoczynnie; nie zmniejsza to w żadnym stopniu dokładności wierconego otworu**
  - ! **nie używać wiertel/dłut ze zniszczonym uchwytem**

- Sprzęgło bezpieczeństwa  
W przypadku zablokowania się SDS+ osprzęt w obrabianym materiale zadziała sprzęgło odłączając napęd od wrzeciona
  - natychmiast wyłączyć elektronarzędzie
  - wysunąć zaklinowany osprzęt
  - elektronarzędzie uruchomić ponownie
- Ustawienie głębokości wiercenia ⑧
- Utrzymywanie i prowadzenie narzędzia ⑨  
! **podczas pracy zawsze trzymać narzędzie za uchwyt(y) ograniczone szarym kolorem**  
- **należy zawsze korzystać z pomocniczego uchwytu G ②** (istnieje możliwość regulacji, tak jak przedstawiono na rysunku)  
- szczeliny wentylacyjne H ② powinny być odkryte

## WSKAZÓWKI UŻYTKOWANIA

- Używać właściwych wiertel ⑩  
! **używać tylko ostrych wiertel/dłut**
- Do wiercenia w drewnie, metalu i plastiku oraz wkręcania używaj odpowiedniego adaptera (osprzęt SKIL 2610395660) ⑪
  - przed umieszczeniem adaptera wyczyść go i lekko nasmaruj
  - pociągnąć do siebie tuleję blokującą F ② i umieść adapter w uchwycie SDS+ jednocześnie obracając go i wciskając aż do zetknięcia; adapter zostanie automatycznie zablokowany
  - pociągnąć adapter, aby sprawdzić czy jest prawidłowo zablokowany
  - przełącznik D ② na normalne wiercenie (**włączyć tylko wówczas przy wyłączonym urządzeniu i odłączonym zasilaniu**)
- Wiercenie otworów w metalach, w skład których wchodzi żelazo
  - podczas wiercenia dużych otworów należy wstępnie wywiercić mały otwór
  - od czasu do czasu naoliwić wiertło
- W celu uniknięcia rozwarstwiania przedmiotów drewnianych przy wkręcaniu wkrętów na brzegu należy otwór odpowiednio nawiercić
- Przewiercanie przedmiotów drewnianych bez wyrwania krawędzi ⑫
- Bezpyłowe wiercenie w ścianie ⑬
- Bezpyłowe wiercenie w suficie ⑭
- Wiercenie bez poślizgu w płytkach ceramicznych ⑮
- Więcej wskazówek można znaleźć pod adresem [www.skil.com](http://www.skil.com)

## KONSERWACJA / SERWIS

- Narzędzie nie jest przeznaczone do zastosowań profesjonalnych
- Nigdy nie otwierać samemu urządzenia ⑯
- Zawsze dbać o czystość narzędzia i przewodu zasilającego (a szczególnie otworów wentylacyjnych H ②)  
! **przed przystąpieniem do czyszczenia należy wyjąć wtyk z gniazda sieciowego**
- Jeśli narzędzie, mimo dokładnej i wszechstronnej kontroli produkcyjnej ulegnie kiedykolwiek awarii, naprawę

powinien przeprowadzić autoryzowany serwis elektronarzędzi firmy SKIL

- odesłać **nierozebrany** narzędzie, wraz z dowodem zakupu, do dealera lub do najbliższego punktu usługowego SKIL (adresy oraz diagram serwisowy narzędzenia znajdują się na stronach [www.skil.com](http://www.skil.com))

## ŚRODOWISKO

- **Nie wyrzucaj elektronarzędzi, akcesoriów i opakowania wraz z odpadami z gospodarstwa domowego** (dotyczy tylko państw UE)
  - zgodnie z Europejską Dyrektywą 2012/19/WE w sprawie zużytego sprzętu elektrotechnicznego i elektronicznego oraz dostosowaniem jej do prawa krajowego, zużyte elektronarzędzia należy posegregować i zutylizować w sposób przyjazny dla środowiska
  - w przypadku potrzeby pozbycia się narzędzia, akcesoriów i opakowania - symbol ⑰ przypomni Ci o tym

## DEKLARACJA ZGODNOŚCI CE

- Niniejszym oświadczamy ponosząc osobistą odpowiedzialność, że produkt wykonany jest zgodnie z następującymi normami i dokumentami normalizującymi: EN 60745, EN 61000, EN 55014, z godnie z wytycznymi 2004/108/EU, 2006/42/EC, 2011/65/EU
- **Dokumentacja techniczna:** SKIL Europe BV (PT-SEU/ENG1), 4825 BD Breda, NL

Marijn van der Hoofden  
Operations & Engineering

Olaf Dijkgraaf  
Approval Manager




SKIL Europe BV, 4825 BD Breda, NL

09.12.2013

## HAŁASU/WIBRACJE

- Pomiarów dokonano zgodnie z normą EN 60745 ciśnienie akustyczne narzędzia wynosi 95 dB(A) zaś poziom mocy akustycznej 106 dB(A) (poziom odchylenie: 3 dB), zaś wibracje \* m/s<sup>2</sup> (metoda dłoń-ręka; błąd pomiaru K = 1,5 m/s<sup>2</sup>)  
\* podczas wiercenia udarowego w betonie 17,0 m/s<sup>2</sup>  
\* podczas dłutowania 16,0 m/s<sup>2</sup>
- Poziom emisji wibracji został zmierzony zgodnie z testem standaryzowanym podanym w EN 60745; może służyć do porównania jednego narzędzia z innym i jako ocena wstępna narażenia na wibracje w trakcie używania narzędzia do wymienionych zadań
  - używanie narzędzia do innych zadań, lub z innymi albo źle utrzymanymi akcesoriami, może znacząco **zwiększyć** poziom narażenia
  - przypadki, kiedy narzędzie jest wyłączone lub jest czynne, ale aktualnie nie wykonuje zadania, mogą znacząco **zmniejszyć** poziom narażenia
- ! **należy chronić się przed skutkami wibracji przez konserwację narzędzia i jego akcesoriów, zakładanie rękawic i właściwą organizację pracy**



## ВВЕДЕНИЕ

- Этот инструмент предназначен для сверления с ударом по бетону, кирпичу и каменной кладке, а также для легких долбильных работ; для сверления по дереву, металлу и пластику, а также для завинчивания с использованием специальных принадлежностей
- Ударная система данного инструмента при сверлении бетона превосходит по своим параметрам любые традиционные перфораторные дрели
- Этот инструмент предназначен для использования в сочетании с любыми стандартными принадлежностями фирмы SDS+
- Данный инструмент не подходит для промышленного использования
- Прочитайте и сохраните с данной инструкцией ③

## ТЕХНИЧЕСКИЕ ДАННЫЕ ①

- \* Энергия единичного удара EPTA-Procedure 05/2009  
-> значение пока недоступно

## ДЕТАЛИ ИНСТРУМЕНТА ②

- A Выключатель для вкл/выкл
- B Колесико регулятора максимальной скорости
- C Кнопка деблокировки
- D Выключатель для выбора режима работы
- E Второй выключатель для выбора режима работы
- F Фиксаторную втулку
- G Вспомогательная ручка
- H Вентиляционные отверстия
- J Регулятор глубины

## БЕЗОПАСНОСТЬ

### ОСНОВНЫЕ ИНСТРУКЦИИ ПО ТЕХНИКЕ БЕЗОПАСНОСТИ

**▲ ВНИМАНИЕ!** Прочтите все указания и инструкции по технике безопасности. Упущения, допущенные при соблюдении указаний и инструкций по технике безопасности, могут стать причиной электрического поражения, пожара и тяжелых травм.

**Сохраняйте эти инструкции и указания для будущего использования.** Использование в настоящих инструкциях и указаниях понятие “электроинструмент” распространяется на электроинструмент с питанием от сети (с кабелем питания от электросети) и на аккумуляторный электроинструмент (без кабеля питания от электросети).

#### 1) БЕЗОПАСНОСТЬ РАБОЧЕГО МЕСТА

- a) **Соблюдайте чистоту и поддерживайте надлежащую освещенность на рабочем месте.** Беспорядок на рабочем месте или его плохое освещение могут привести к несчастным случаям.

- b) **Не используйте с электроинструментом во взрывоопасной среде, т.е. в непосредственной близости от легновоспламеняющихся жидкостей, газов или пыли.** В процессе работы электроинструмент искрит и искры могут воспламенить газы или пыль.
- c) **При работе с электроинструментом не допускайте детей или посторонних на Ваше рабочее место.** Отвлечение Вашего внимания может привести к потере контроля над работой инструмента.

#### 2) ЭЛЕКТРИЧЕСКАЯ БЕЗОПАСНОСТЬ

- a) **Штепсельная вилка кабеля питания электроинструмента должна соответствовать розетке электросети. Не носите никаких изменений в конструкцию вилки. Не используйте адапторы для электроинструмента с защитным заземлением.** Заводские штепсельные вилки и соответствующие им сетевые розетки существенно снижают вероятность электрошока.
- b) **Избегайте механических контактов с такими заземленными поверхностями, как трубопроводы, системы отопления, плиты и холодильники.** При соприкосновении человека с заземленными предметами во время работы инструментом вероятность электрошока существенно возрастает.
- c) **Оберегайте электроинструмент от воздействия дождя и влаги.** Попадание воды в электроинструмент повышает вероятность электрического удара.
- d) **Используйте кабель строго по назначению. Не допускается тянуть и передвигать электроинструмент за кабель или использовать кабель для вытягивания вилки из розетки. Оберегайте кабель инструмента от воздействия высоких температур, масла, острых кромок или движущихся частей электроинструмента.** Поврежденный или спутанный кабель повышает возможность электрического удара.
- e) **При работе на улице используйте удлинитель, предназначенный для работы вне помещения.** Использование такого удлинителя снижает вероятность электрического удара.
- f) **Если невозможно избежать применения электроинструмента в сыром помещении, то устанавливайте устройство защиты от утечки в землю.** Использование устройства защиты от утечки в землю снижает риск электрического поражения.

#### 3) ЛИЧНАЯ БЕЗОПАСНОСТЬ

- a) **Будьте внимательны, следите за тем, что Вы делаете и выполняйте работу обдуманно. Не пользуйтесь электроинструментом, если Вы устали или находитесь под воздействием транквилизаторов, алкоголя или медицинских препаратов.** Секундная потеря концентрации в работе с электроинструментом может привести к серьезным травмам.
- b) **Используйте средства индивидуальной защиты. Защитные очки обязательны.** Средства индивидуальной защиты, такие как противопожарной

респиратор, нескользящая защитная обувь, шлем-каска, средства защиты органов слуха применяются в соответствующих условиях работы обстоятельствах и минимизируют возможность получения травм.

- c) **Предотвращайте непреднамеренное включение электроинструмента. Перед подключению электроинструмента к электросети и/или к аккумулятору убедитесь в выключенном состоянии электроинструмента.** Если Вы при транспортировке электроинструмента держите палец на выключателе или включенный электроинструмент подключаете к сети питания, то это может привести к несчастному случаю.
- d) **Во избежание травм перед включением инструмента удалите регулировочный или гаечный ключ из вращающейся части инструмента.**
- e) **Не переоценивайте свои возможности. Твердо стойте на ногах и удерживайте равновесие.** В таком положении вы сможете лучше контролировать инструмент в неожиданных ситуациях.
- f) **Используйте подходящую рабочую одежду. Не надевайте свободную одежду и украшения. Волосы, одежда и перчатки должны находиться подальше от движущихся частей электроинструмента.** Свободная одежда, украшения или длинные волосы легко могут попасть в движущиеся части электроинструмента.
- g) **При наличии пылеотсасывающих и пылесборных приспособлений убедитесь в том, что они подсоединены и используются надлежащим образом.** Применение пылеотсоса может снизить опасности, создаваемые пылью.

#### **4) ЭКСПЛУАТАЦИЯ И УХОД ЗА ЭЛЕКТРОИНСТРУМЕНТОМ**

- a) **Не перегружайте инструмент. Используйте тот инструмент, который предназначен для данной работы.** С подходящим инструментом Вы выполните работу лучше и надежней, используя весь диапазон его возможностей.
- b) **Не используйте инструмент с неисправным выключателем.** Инструмент с неисправным выключателем опасен и подлежит ремонту.
- c) **До начала наладки электроинструмента, замены принадлежности или прекращения работы отключайте штепсельную вилку от розетки сети и/или выньте аккумулятор.** Данная мера предосторожности предотвращает случайное включение инструмента.
- d) **Храните неиспользуемый электроинструмент в недоступном для детей месте и не позволяйте использовать его лицам, не умеющим с ним обращаться или не ознакомленным с инструкцией по эксплуатации.** Электроинструменты представляют собой опасность в руках неопытных пользователей.
- e) **Электроинструмент требует надлежащего ухода. Проверяйте безупречность функции подвижных частей, лёгкость их хода, целостность всех частей и отсутствие повреждений, которые могут негативно сказаться на работе**

**инструмента. При обнаружении повреждений сдайте инструмент в ремонт.** Большое число несчастных случаев связано с неудовлетворительным уходом за электроинструментом.

- f) **Режущие части инструмента необходимо поддерживать в заточенном и чистом состоянии.** При надлежащем уходе за режущими принадлежностями с острыми кромками они режут заклиниваются и инструмент лучше поддаётся контролю.
- g) **Используйте электроинструмент, принадлежности, биты и т.д. в соответствии с данными инструкциями, исходя из особенностей условий и характера выполняемой работы.** Использование электроинструмента не по назначению может привести к опасным последствиям.
- #### **5) СЕРВИСНОЕ ОБСЛУЖИВАНИЕ**
- a) **Передавайте инструмент на сервисное обслуживание только квалифицированному персоналу, использующему только подлинные запасные части.** Это обеспечит сохранение безопасности электроинструмента.

#### **УКАЗАНИЯ ПО БЕЗОПАСНОСТИ ДЛЯ ПЕРФОРАТОРОВ**

- **Одевайте наушники** (воздействие шума может привести к потере слуха)
- **Используйте прилагающиеся к инструменту дополнительные рукоятки** (потеря контроля может иметь своим следствием телесные повреждения)
- **Избегайте повреждений, которые могут быть вызваны винтами, гвоздями и прочими элементами, находящимися в обрабатываемом предмете; перед началом работы их нужно удалить**
- **Следите за тем, чтобы сетевой шнур не находился рядом с движущимися деталями инструмента**
- **Закрепите обрабатываемую деталь** (обрабатываемая деталь, зафиксированная посредством зажимных устройств или тисков, закрепляется лучше, нежели при помощи рук)
- **Перед тем как положить инструмент, выключите двигатель и убедитесь в том, что все движущиеся детали полностью остановились**
- **Используйте полностью размотанные и безопасные удлинители, рассчитанные на ток не менее 16 А**
- **В случае любой электрической или механической неисправности немедленно выключите инструмент и выньте вилку из розетки**
- **SKIL обеспечивает надёжную работу инструмента только при использовании соответствующих приспособлений**
- **Использовать только принадлежности, предельно допустимая скорость вращения которых не меньше, чем максимальная скорость вращения прибора на холостом ходу**
- **Инструмент нельзя использовать лицам в возрасте до 16 лет**
- **Используйте подходящие металлодетекторы для нахождения скрытых проводов снабжения**

- или наведите справки в местных предприятиях коммунального хозяйства (контакт с электропроводкой может привести к пожару и электрическому удару; повреждение газопровода может привести к взрыву; повреждение водопровода может привести к повреждению имущества или вызвать электрический удар)
- При выполнении работ, при которых рабочий инструмент может задеть скрытую электропроводку или собственный сетевой кабель, держите электроинструмент за изолированные ручки (контакт с находящейся под напряжением проводкой может заряжать металлические части электроинструмента и приводить к удару электрическим током)
- Не обрабатывайте материалы с содержанием асбеста (асбест считается канцерогеном)
- Пыль от таких материалов, как свинцовосодержащая краска, некоторые породы дерева, минералы и металл, может быть вредна (контакт с такой пылью или ее вдыхание может стать причиной возникновения у оператора или находящегося рядом лиц аллергических реакций и/или респираторных заболеваний); надевайте респиратор и работайте с пылеудаляющим устройством при включении инструмента
- Некоторые виды пыли классифицируются как канцерогенные (например, дубовая или буковая пыль), особенно в сочетании с добавками для кондиционирования древесины; надевайте респиратор и работайте с пылеудаляющим устройством при включении инструмента
- Следуйте принятым в вашей стране требованиям/ нормативам относительно пыли для тех материалов, с которыми вы собираетесь работать
- При повреждении или разрезании сетевого шнура во время работы не прикасайтесь к нему, и немедленно выньте вилку из розетки
- Никогда не используйте инструмент, если сетевой шнур повреждён; необходимо, чтобы квалифицированный специалист заменил сетевой шнур
- Обязательно убедитесь, что напряжение питания соответствует напряжению, указанному на фирменном штепеле инструмента (инструменты, рассчитанные на напряжение 230 В или 240 В, можно подключать к питанию 220 В)
- Если сверло неожиданно заело (что приводит к непредсказуемому и опасному поведению инструмента), немедленно выключите инструмент
- Помните об усилии, которое оказывается на инструмент при заедании сверла (особенно при работе по металлу); обязательно используйте боковую рукоятку G ② и займите устойчивое положение
- Перед регулировкой или сменой принадлежностей обязательно выньте вилку из сетевой розетки

## ИСПОЛЬЗОВАНИЕ

- Включение/выключение ④
- Регулировка максимальной скорости ⑤  
Маховиком В максимальную скорость вращения можно плавно от низкой до высокой (1-6)
- Выбор режима работы ⑥
  - ! **выбирайте режим работы только при выключенном инструменте и вилка вынута из розетки**
  - нажмите на кнопку С, чтобы разблокировать переключатель D
  - сначала поверните выключатель D в нужный режим до щелчка
  - затем поверните выключатель E в нужный режим  
1 = нормальное сверление/завинчивание винтов  
2 = молоткового сверления  
3 = работа с долотом
  - ! **приступайте к работе только после блокировки переключателя D**
  - для сверления по дереву, металлу и пластику, а также для завинчивания следует использовать соответствующий адаптер (см. Советы по использованию)
  - ударный механизм включается путем легкого нажатия на инструмент, когда кончик сверла касается заготовки
  - ударный механизм развивает максимальную мощность через несколько секунд
  - не прилагайте чрезмерных усилий к инструменту, дайте инструменту поработать за Вас
- Сменные биты ⑦
  - ! **перед установкой очистите и слегка смажьте принадлежность SDS+**
  - оттяните назад фиксаторную втулку F ② и установите необходимый принадлежности в патрон SDS+, повернув его и надавив на него; фиксация принадлежности в надлежащем положении производится автоматически
  - потяните за принадлежность, чтобы убедиться, что она правильно зафиксирована
  - для снятия принадлежности оттяните назад фиксаторную втулку F
  - ! **принадлежности SDS+ требуют свободы смещения, что приводит к появлению эксцентриситета, когда к инструменту не приложена нагрузка; однако в процессе работы происходит автоматическое центрирование принадлежности без ущерба для точности сверления**
  - ! **не используйте биты/зубила с повреждённым стволем**
- Предохранительная муфта  
Если принадлежность заедает, происходит блокировка шпинделя
  - немедленно выключите инструмент
  - освободите застрявшую деталь
  - снова включите инструмент
- Регулировка глубины сверления ⑧
- Удерживание и направление инструмента ⑨
  - ! **во время работы, всегда держите инструмент за места правильного хвата, которые обозначены серым цветом**

- **обязательно используйте боковую рукоятку G** ② (регулируется, как показано на рисунке)
- содержите вентиляционные отверстия H ② не закрытыми

## СОВЕТЫ ПО ИСПОЛЬЗОВАНИЮ

- Используйте только надлежащие биты ⑩  
**! не используйте тупые биты/зубила**
- Для сверления по дереву, металлу и пластику, а также для завинчивания используйте соответствующий адаптер (принадлежность SKIL 2610395660) ⑪
  - перед установкой адаптера очистите и слегка смажьте его
  - оттяните назад фиксаторную втулку F ② и установите необходимый адаптер в патрон SDS+, повернув его и надавив на него; адаптер автоматически зафиксируется в надлежащем положении
  - потяните за адаптер, чтобы убедиться, что он правильно зафиксирован
  - установите переключатель D ② на режим обычного сверления (**переключатель действует только при отключенном инструменте и вилка вынута из розетки**)
- Сверление черных металлов
  - при сверлении отверстия большего диаметра сначала просверлите отверстие меньшего диаметра
  - периодически смазывайте сверло
- При завинчивании шурупа в месте поперечного среза или рядом с ним, а также на кромке деревянной детали рекомендуем во избежание образования трещин сначала просверлить отверстие
- Сверление по дереву без расщепления материала ⑫
- Сверление в стенах без пыли ⑬
- Сверление в потолках без пыли ⑭
- Сверление по кафелю без проскальзывания ⑮
- См дополнительную информацию на сайте [www.skil.com](http://www.skil.com)

## ТЕХОБСЛУЖИВАНИЕ / СЕРВИС

- Данный инструмент не подходит для промышленного использования
- Ни в коем случае не открывайте инструмент самостоятельно ⑯
- Всегда содержите инструмент и его шнур в чистоте (особенно вентиляционные отверстия H ②)  
**! перед чисткой инструмента выньте вилку из розетки**
- Если инструмент, несмотря на тщательные методы изготовления и испытания, выйдет из строя, то ремонт следует производить силами авторизованной сервисной мастерской для электроинструментов фирмы SKIL
  - отправьте **неразобранный** инструмент со свидетельством покупки Вашему дилеру или в ближайшую станцию обслуживания фирмы SKIL (адреса и схема обслуживания инструмента приведены в вебсайте [www.skil.com](http://www.skil.com))

## ОХРАНА ОКРУЖАЮЩЕЙ СРЕДЫ

- **Не выкидывайте электроинструмент, принадлежности и упаковку вместе с бытовым мусором** (только для стран ЕС)
  - во исполнение европейской директивы 2012/19/ЕС об утилизации отслужившего свой срок электрического и электронного оборудования и в соответствии с действующим законодательством, утилизация электроинструментов производится отдельно от других отходов на предприятиях, соответствующих условиям экологической безопасности
  - значок ⑰ напомним Вам об этом, когда появится необходимость сдать электроинструмент на утилизацию

## ДЕКЛАРАЦИЯ О СООТВЕТСТВИИ СТАНДАРТАМ СЕ

- Мы с полной ответственностью заявляем, что это изделие соответствует следующим стандартам или стандартизованным документам: EN 60745, EN 61000, EN 55014, в соответствии с инструкциями 2004/108/EC, 2006/42/EC, 2011/65/EC
- **Техническая документация у:** SKIL Europe BV (PT-SEU/ENG1), 4825 BD Breda, NL

Marijn van der Hoofden      Olaf Dijkgraaf  
Operations & Engineering      Approval Manager




SKIL Europe BV, 4825 BD Breda, NL

09.12.2013

- Информация о сертификате соответствия расположена на последней странице настоящей Инструкции
- Сертификаты соответствия хранятся по адресу: ООО "Роберт Бош" ул. Акад. Королёва, 13, стр. 5 Россия, 129515, Москва  
**С января 2014 г.** Вашутинское шоссе, влад. 36 Россия, 141446 г.о. Химки
- **Дата производства** указана на последней странице настоящей инструкции
- Информацию об **импортере** изделия можно найти на упаковке)

## ШУМНОСТИ/ВИБРАЦИИ

- При измерении в соответствии со стандартом EN 60745 уровень звукового давления для этого инструмента составляет 95 дБ (А) и уровень звуковой мощности - 106 дБ (А) (стандартное отклонение: 3 дБ), и вибрации - \* м/с<sup>2</sup> (по методу для рук; недостоверность K = 1,5 м/с<sup>2</sup>)  
\* при сверлении с ударом в бетоне 17,0 м/с<sup>2</sup>  
\* при долблении 16,0 м/с<sup>2</sup>
- Уровень вибрации был измерен в соответствии со стандартизированным испытанием, содержащимся в EN 60745; данная характеристика может использоваться для сравнения одного инструмента с

другим, а також для попередньої оцінки впливу вібрації при використанні даного інструмента для вказаних цілей

- при використанні інструмента в інших цілях или с другими/неисправными вспомогательными приспособлениями уровень воздействия вибрации может значительно **повышаться**
  - в периоды, когда инструмент отключен или функционирует без фактического выполнения работы, уровень воздействия вибрации может значительно **снижаться**
- !** **защитайте себя от воздействия вибрации, поддерживая инструмент и его вспомогательные приспособления в исправном состоянии, поддерживая руки в тепле, а также правильно организуя свой рабочий процесс**

UA

## Перфоратор

1766

### ВСТУП

- Цей інструмент придатний для свердління з ударом по бетону, цеглі та камінню, а також для легких довальних робіт; для свердління по дереву, металу та пластiku, а також для роботи з гвинтами, використовуючи спеціальні приладдя
- Ударна система цього інструмента, під час свердління бетону, перевіряє по своїм параметрам усі традиційні ударні дрилі
- Цей інструмент розроблений для використання в комбінації з усіма стандартними приладдями SDS+
- Цей інструмент не придатний для промислового використання
- Прочитайте і збережіть цю Інструкцію з експлуатації ③

### ТЕХНІЧНІ ДАНІ ①

- \* Сила одиночного удару відповідно до EPTA-Procedure 05/2009 -> значення поки що недоступно

### ЕЛЕМЕНТИ ІНСТРУМЕНТА ②

- A Вимикач живлення
- B Маховик для регулювання максимальної швидкості обертання
- C Кнопка розблокування
- D Вимикач для вибору режиму роботи
- E Другий вимикач для вибору режиму роботи
- F Фіксаторна втулка
- G Додаткова ручка
- H Вентиляційні отвори
- J Обмежувач глибини свердління

### БЕЗПЕКА

#### ЗАГАЛЬНІ ВКАЗІВКИ З ТЕХНІКИ БЕЗПЕКИ

**!** **УВАГА!** Прочитайте всі попередження і вказівки. Недодержання попереджень і вказівок може призводити до удару електричним струмом, пожежі та/або серйозних

травм. **Добре зберігайте на майбутнє ці попередження і вказівки.** Під поняттям "електроприлад" в цих попередженнях мається на увазі електроприлад, що працює від мережі (з електрокабелем) або від акумуляторної батареї (без електрокабелю).

#### 1) БЕЗПЕКА НА РОБОЧОМУ МІСЦІ

- a) **Примайте своє робоче місце в чистоті та прибирайте його.** Безлад або погане освітлення на робочому місці можуть призводити до нещасних випадків.
- b) **Не працюйте з приладом у середовищі, де існує небезпека вибуху внаслідок присутності горючих рідин, газів або пилу.** Електроприлади можуть породжувати іскри, від яких може займатися пил або пари.
- c) **Під час працювання з приладом не підпускайте до робочого місця дітей та інших людей.** Ви можете втратити контроль над приладом, якщо Ваша увага буде відвернута.

#### 2) ЕЛЕКТРИЧНА БЕЗПЕКА

- a) **Штепсель приладу повинен пасувати до розетки. Не дозволяється що-небудь міняти в штепселі. Для роботи з приладами, що мають захисне заземлення, не використовуйте адаптери.** Використання оригінального штепселя та належної розетки зменшує ризик удару електричним струмом.
- b) **Уникайте контакту частей тіла із заземленими поверхнями, як напр., трубами, батареями опалення, печами та холодильниками.** Коли Ваше тіло заземлене, існує збільшена небезпека удару електричним струмом.
- c) **Захищайте прилад від дощу та вологи.** Попадання води в електроінструмент збільшує ризик удару електричним струмом.
- d) **Не використовуйте кабель для перенесення приладу, підвішування або витягування штепселя з розетки. Захищайте кабель від жару, олії, гострих країв та деталей приладу, що рухаються.** Пошкоджений або закручений кабель збільшує ризик удару електричним струмом.
- e) **Для зовнішніх робіт обов'язково використовуйте лише такий подовжувач, що допущений для зовнішніх робіт.** Використання подовжувача, що розрахований на зовнішні роботи, зменшує ризик удару електричним струмом.
- f) **Якщо не можна запобігти використанню електроприладу у вологому середовищі, використовуйте пристрій захисту від витоку в землю.** Використання зрестрою захисту від витоку в землю зменшує ризик удару електричним струмом.

#### 3) БЕЗПЕКА ЛЮДЕЙ

- a) **Будьте уважними, слідуйте за тим, що Ви робите, та розсудливо поведіться під час роботи з електроприладом. Не користуйтеся приладом, якщо Ви стомлені або знаходитесь під дією наркотиків, спиртних напоїв або лік.** Мить неуважності при користуванні приладом може призводити до серйозних травм.
- b) **Вдягайте особисте захисне спорядження та обов'язково вдягайте захисні окуляри.** Вдягання особистого захисного спорядження, як напр., - в

залежності від виду робіт - захисної маски, спецвзуття, що не ковзається, каски або навушників, зменшує ризик травм.

- c) **Уникайте ненавмисного вмикання. Перш ніж вмикати електроприлад в електромережу або встромляти акумуляторну батарею, брати його в руки або переносити, впевніться в тому, що електроприлад вимкнений.** Тримання пальця на вимикачі під час перенесення електроприладу або встромляння в розетку увімкненого приладу може призводити до травм.

- d) **Перед тим, як вмикати прилад, приборіть налагоджувальні інструменти та гайковий ключ.** Знаходження налагоджувального інструмента або ключа в деталі, що обертається, може призводити до травм.

- e) **Не переоцінюйте себе. Зберігайте стійке положення та завжди зберігайте рівновагу.** Це дозволить Вам краще зберігати контроль над приладом у несподіваних ситуаціях.

- f) **Вдягайте придатний одяг. Не вдягайте просторий одяг та прикраси.** Не підставляйте волосся, одяг та рукавиці близько до деталей приладу, що рухаються. Просторий одяг, прикраси та довге волосся можуть попадати в деталі, що рухаються.

- g) **Якщо існує можливість монтувати пиловідсмоктувальні або пилоуловлювальні пристрої, переконайтеся, щоб вони були добре під'єднані та правильно використовувалися.** Використання пиловідсмоктувального пристрою може зменшити небезпеки, зумовлені пилом.

#### **4) ПРАВИЛЬНЕ ПОВОДЖЕННЯ ТА КОРИСТУВАННЯ ЕЛЕКТРОПРИЛАДАМИ**

- a) **Не перевантажуйте прилад. Використовуйте такий прилад, що спеціально призначений для певної роботи.** З придатним приладом Ви з меншим ризиком отримаєте кращі результати роботи, якщо будете працювати в зазначеному діапазоні потужності.

- b) **Не користуйтеся приладом з пошкодженим вимикачем.** Прилад, який не можна увімкнути або вимкнути, є небезпечним і його треба відремонтувати.

- c) **Перед тим, як регулювати що-небудь на приладі, міняти приладдя або ховати прилад, витягніть штепсель із розетки та/або витягніть акумуляторну батарею.** Ці попереджувальні заходи з техніки безпеки зменшують ризик ненавмисного запуску приладу.

- d) **Зберігайте електроприлади, якими Ви саме не користуєтесь, далеко від дітей.** Не дозволяйте користуватися електроприладом особам, що не знайомі з його роботою або не читали ці вказівки. У разі застосування недосвідченими особами прилади несуть в собі небезпеку.

- e) **Старанно доглядайте за приладом. Перевірте, щоб рухомі деталі приладу бездоганно працювали та не заїдали, не були поламаними або настільки пошкодженими, щоб це могло вплинути на функціонування приладу.** Пошкоджені деталі треба відремонтувати в

авторизованій майстерні, перш ніж ними можна знову користуватися. Велика кількість нещасних випадків спричиняється поганим доглядом за електроприладами.

- f) **Тримайте різальні інструменти добре нагостреними та в чистоті.** Старанно доглянуті різальні інструменти з гострим різальним краєм менше застряють та їх легше вести.
- g) **Використовуйте електроприлади, приладдя до них, робочі інструменти т.і. відповідно до цих вказівок. Беріть до уваги при цьому умови роботи та специфіку виконуваної роботи.** Використання електроприладів для робіт, для яких вони не передбачені, може призводити до небезпечних ситуацій.

#### **5) СЕРВІС**

- a) **Віддавайте свій прилад на ремонт лише кваліфікованим фахівцям та лише з використанням оригінальних запчастин.** Це забезпечить безпеку приладу на довгий час.

#### **ВКАЗІВКИ ПО БЕЗПЕЦІ ДЛЯ ПЕРФОРАТОРІВ**

- **Вдягайте навушники** (шум може пошкодити слух)
- **Використовуйте додані до інструменту додаткові рукавці** (втрата контролю над інструментом може призводити до тілесних ушкоджень)
- **Не допускайте пошкоджень, які можуть нанести шурупи, цвяхи і інші елементи вашому виробу; видаліть їх перед початком роботи**
- **Не дозволяйте шнуру живлення стикатися з рухомими частинами інструменту**
- **Зафіксуйте оброблювану деталь** (оброблювана деталь, зафіксована за допомогою затискних пристроїв або лещат, закріплюється краще, ніж вручну)
- **Коли ви закінчили роботу з інструментом, вимкніть мотор і переконайтеся, що всі рухомі частини повністю зупинилися**
- **Використовуйте повністю розгорнений шнур подовжувача, який може витримувати навантаження в 16 Ампер**
- **У разі електричної або механічної несправності, негайно відключіть інструмент і вимкніть з розетки**
- **SKIL гарантує надійну роботу інструмента тільки при використанні відповідного приладдя**
- **Використовуйте лише приладдя, припустима швидкість обертання якого як мінімум відповідає найвищій швидкості інструмента без навантаження**
- **Цей інструмент не можна використовувати особам віком до 16 років**
- **Використовуйте придатні пошукові прилади для знаходження захованих в будівлі труб та кабелів або зверніться за допомогою в місцеве підприємство електро-, газо- та водопостачання** (зачеплення електропроводки може призводити до пожежі та удару електричним струмом; зачеплення газової труби може призводити до вибуху; зачеплення водопровідної труби може завдати шкоду матеріальним цінностям або призводити до удару електричним струмом)
- **При роботах, коли робочий інструмент може зачепити заховану електропроводку або**

**власний шнур живлення, тримайте електроінструмент за ізольовані рукоятки** (зацеплення проводки, що знаходиться під напругою, може заряджувати також і металеві частини електроінструмента та призводити до удару електричним струмом)

- **Не обробляйте матеріали, що містять асбест** (асбест вважається канцерогенним)
- Пил від таких матеріалів, як свинцовоутримуюча фарба, деякі породи дерева, мінерали й метал, може бути шкідливим (контакт із таким пилом або його вдихання може стати причиною виникнення в оператора або осіб, що перебувають поруч, алергійних реакцій і/або респіраторних захворювань); **надягайте респіратор і працюйте з пиловидальючим пристроєм під час увімкнення інструмента**
- Деякі види пилу класифікуються як канцерогенні (наприклад, дубовий або буківий пил), особливо в сполученні з добавками для кондиціонування деревини; **надягайте респіратор і працюйте з пиловидальючим пристроєм під час увімкнення інструмента**
- Слідуйте інструкціям по роботі з матеріалами, продукуючими пил
- Якщо шнур пошкоджений або прорізаний при роботі, не доторкайтеся до нього і негайно витягніть його з розетки
- Ніколи не використовуйте інструмент з пошкодженим шнуром; його повинен замінити кваліфікований фахівець
- Перед роботою перевірте відповідність струму в мережі із струмом, позначені на інструменті (інструменти, розраховані на 230В або 240В, також можуть підключатися до мережі 220В)
- Якщо свердло заїло (що призводить до неочікуваної небезпечної реакції), негайно вимкніть інструмент
- Помніть про безпеку, що може з'явитися під час заїдання свердла (особливо при свердлінні металов); **завжди використовуйте бокову ручку G ② та займайте надійну позу**
- **Перед регулюванням або заміною приладдя обов'язково вийміть вилку із сітьової розетки**

## ВИКОРИСТАННЯ

- Вмикання/вимкання ④
  - Регулятор максимальної швидкості ⑤  
Обертання маховиком В, максимальну швидкість обертання можна плавно відрегулювати від низької до високої (1-6)
  - Вибір режиму роботи ⑥
- ! оберайте режим роботи тільки при вимкненому інструменті та вилка вийнята з розетки**
- натисніть кнопку С для розблокування перемикача D
  - спочатку переведіть вимикач D у потрібний режим роботи до фіксації
  - потім переведіть вимикач E у потрібний режим роботи
- 1 = свердління без удару/викрутка  
2 = свердління з ударом  
3 = пробійний режим з різцем

**! починайте роботу тільки після блокування перемикача D**

- для свердління по дереву, металу та пластику, а також для загвинчування слід використовувати адаптер до нього (див. Поради по використанню)
  - ударний механізм вмикається шляхом легкого натискання на інструмент, коли кінчик свердла торкається заготовки
  - ударний механізм набирає максимальної потужності через декілька секунд
  - не тисніть на інструмент; дайте інструменту можливість працювати за вас
  - Заміна насадок ⑦
- ! перед встановленням очистіть та трохі змастіть приладдя SDS+**
- відтягніть фіксаторну втулку F ② та вструміть приладдя у патрон SDS+, прокрутіть та натисніть на нього; фіксація приладдя у необхідному положенні відбудеться автоматично
  - потягніть за приладдя, щоб переконатись, що воно правильно затиснуто
  - для зняття приладдя відтягніть фіксаторну втулку F
- ! приладдя SDS+ потребують свободи кріплення, що призводить до появи ексцентриситету, коли інструмент не навантажено; однак під час процесу роботи відбудеться автоматичне центрування приладдя без створення шноди для точного свердління**
- ! не використовуйте насадні/різці з пошкодженим стовбуром**
- Запобіжна муфта  
Якщо приладдя заїдає під час свердління, відбувається блокування шпинделя - негайно вимкніть інструмент
    - розблокуйте приладдя
    - увімкніть інструмент
  - Регулювання глибини свердління ⑧
  - Утримування і робота інструментом ⑨
- ! під час роботи, завжди тримайте інструмент за частини захвату сірого кольору**
- завжди використовуйте бокову ручку G ② (може регулюватись як показано)
  - тримайте вентиляційні отвори H ② неактивними

## ПОРАДИ ПО ВИКОРИСТАННЮ

- Використовуйте відповідні насадки ⑩
- ! використовуйте тільки гострі насадні/різці**
- Для свердління по дереву, металу та пластикку, а також для загвинчування слід використовувати адаптер до нього (приладдя SKIL 2610395660) ⑪
    - почистити та змастіть адаптер перед встановленням
    - відтягніть фіксаторну втулку F ② та вструміть адаптер у патрон SDS+, прокрутіть та натисніть на нього; фіксація адаптера у необхідному положенні відбудеться автоматично
    - подягніть за адаптер, щоб переконатись що він надійно зафіксований
    - встановіть перемикач D ② на режим звичайного свердління (**перемикач працює тільки при**

### вимкненому інструменті та вилка вийнята з розетки)

- Свердління чорних металів
  - попередньо просвердліть отвір меншого діаметру, якщо необхідний отвір великого розміру
  - час від часу змащуйте свердла маслом
- При вгвинчуванні шурупів у поперечний зріз дерева або біля нього або в кромку дерева необхідно спочатку просвердлити отвір, щоб запобігти розколу деревини
- Свердління деревини без виривання скалок ⑫
- Свердління в стінах без пилу ⑬
- Свердління в стелях без пилу ⑭
- Свердління кафельних плиток без прослизькування ⑮
- Див додаткову інформацію на [www.skil.com](http://www.skil.com)

## ДОГЛЯД/ОБСЛУГОВУВАННЯ

- Цей інструмент не придатний для промислового використання
- У жодному разі не розкривайте інструмент самостійно ⑯
- Завжди тримайте інструмент та його шнур в чистоті (особливо вентиляційні отвори Н ②)  
**! перед чисткою інструменту необхідно роз'єднати штепсельний роз'єм**
- Якщо незважаючи на ретельну технологію виготовлення і перевірки інструмент все-таки вийде з ладу, його ремонт дозволяється виконувати лише в авторизованій сервісній майстерні для електроприладів SKIL
  - надішліть **нерозібраний** інструмент разом з доказом купівлі до Вашого дилера або до найближчого центру обслуговування SKIL (адреси, а також діаграма обслуговування пристрою, подаються на сайті [www.skil.com](http://www.skil.com))

## ОХОРОНА НАВКОЛИШНЬОЇ СЕРЕДИ

- **Не викидайте електроінструмент, належності та упаковку разом зі звичайним сміттям** (тільки для країн ЄС)
  - відповідно до європейської директиви 2012/19/ЄС щодо утилізації старих електричних та електронних приладів, в залежності з місцевим законодавством, електроінструмент, який перебував в експлуатації повинен бути утилізований окремо, безпечним для навколишнього середовища шляхом
  - малюнок ⑰ нагадує вам про це

## ДЕКЛАРАЦІЯ ПРО ВІДПОВІДНІСТЬ СТАНДАРТАМ СЕ

- Ми заявляємо, що відповідність даного продукту наступним стандартам і регулюючим документам повністю нашою відповідальністю: EN 60745, EN 61000, EN 55014, відповідно до положень директив 2004/108/EG, 2006/42/EG, 2011/65/EC

- **Технічні документи в:** SKIL Europe BV (PT-SEU/ENG1), 4825 BD Breda, NL

Marijn van der Hoofden      Olaf Dijkgraaf  
Operations & Engineering      Approval Manager

SKIL Europe BV, 4825 BD Breda, NL

09.12.2013

## ШУМ/ВІБРАЦІЯ

- Зміряний відповідно до EN 60745 рівень тиску звуку даного інструменту 95 дБ(А) і потужність звуку 106 дБ(А) (стандартне відхилення: 3 дБ), і вібрація \* м/с<sup>2</sup> (ручна методика; похибка K = 1,5 м/с<sup>2</sup>)
  - \* свердління з ударом в бетони 17,0 м/с<sup>2</sup>
  - \* довбання 16,0 м/с<sup>2</sup>
- Рівень вібрації було виміряно у відповідності зі стандартизованим випробуванням, що міститься в EN 60745; дана характеристика може використовуватися для порівняння одного інструмента з іншим, а також для попередньої оцінки впливу вібрації під час застосування даного інструмента для вказаних цілей
  - при використанні інструмента в інших цілях або з іншими/несправними допоміжними пристосуваннями рівень впливу вібрації може значно **підвищуватися**
  - у періоди, коли інструмент вимкнений або функціонує без фактичного виконання роботи, рівень впливу вібрації може значно **знижуватися**
- ! захищайте себе від впливу вібрації, підтримуючи інструмент і його допоміжні пристосування в справному стані, підтримуючи руки в теплі, а також правильно організовуючи свій робочий процес**

GR

## Перистрофіκό πιστολέτο

1766

## ΕΙΣΑΓΩΓΗ

- Το εργαλείο προορίζεται για τρίτημα με κρούση σε μπετόν, τούβλο και πέτρα καθώς και για ελαφρές εργασίες σμίλευσης – για τρίτημα σε ξύλο, μέταλλα και πλαστικά υλικά καθώς και για βίδωμα πρέπει να χρησιμοποιούνται ειδικά εξαρτήματα
- Το σύστημα κρούσης στο εργαλείο αυτό ξεπερνά σε απόδοση κάθε παραδοσιακού τύπου κρουστικό δράπανο για διάτρηση σε τσιμέντο
- Αυτό το εργαλείο είναι σχεδιασμένο για χρήση σε συνδυασμό με τα τυποποιημένα εξαρτήματα SDS+
- Αυτό το εργαλείο δεν προορίζεται για επαγγελματική χρήση
- Διαβάστε και φυλάξτε αυτές τις οδηγίες χρήσεως ③



## ΤΕΧΝΙΚΑ ΧΑΡΑΚΤΗΡΙΣΤΙΚΑ ①

\* Ισχύς μεμονωμένης κρούσης κατά ΕΡΤΑ-Procedure 05/2009 -> η τιμή δεν είναι ακόμα διαθέσιμη

## ΜΕΡΗ ΤΟΥ ΕΡΓΑΛΕΙΟΥ ②

- A Διακόπτης εκκίνησης/στάσης
- B Τροχίσκος ρύθμισης της μέγιστης ταχύτητας
- C Κουμπί ασφαλίωσης
- D Διακόπτης επιλογής τρόπου λειτουργίας
- E Δεύτερος διακόπτης επιλογής τρόπου λειτουργίας
- F Κέλυφος μανδάλωσης
- G Βοηθητική λαβή
- H Σχισμές αερισμού
- J Δείκτης βάθους

## ΑΣΦΑΛΕΙΑ

### ΓΕΝΙΚΕΣ ΥΠΟΔΕΙΞΕΙΣ ΑΣΦΑΛΕΙΑΣ

**⚠ ΠΡΟΕΙΔΟΠΟΙΗΣΗ! Διαβάστε όλες τις προειδοποιητικές υποδείξεις.** Αμέλειες κατά την τήρηση των προειδοποιητικών υποδείξεων μπορεί να προκαλέσουν ηλεκτροπληξία, κίνδυνο πυρκαγιάς ή/και σοβαρούς τραυματισμούς. **Φυλάξτε όλες τις προειδοποιητικές υποδείξεις και οδηγίες για κάθε μελλοντική χρήση.** Ο ορισμός "ηλεκτρικό εργαλείο" που χρησιμοποιείται στις προειδοποιητικές υποδείξεις αναφέρεται σε ηλεκτρικά εργαλεία που τροφοδοτούνται από το ηλεκτρικό δίκτυο (με ηλεκτρικό καλώδιο) καθώς και σε ηλεκτρικά εργαλεία που τροφοδοτούνται από μπαταρία (χωρίς ηλεκτρικό καλώδιο).

### 1) ΑΣΦΑΛΕΙΑ ΣΤΟ ΧΩΡΟ ΕΡΓΑΣΙΑΣ

- a) **Διατηρείτε το χώρο που εργάζεστε καθαρό και καλά φωτισμένο.** Αταξία στο χώρο που εργάζεστε ή μη φωτισμένες περιοχές εργασίας μπορεί να οδηγήσουν σε ατυχήματα.
- b) **Μην εργάζεστε με το ηλεκτρικό εργαλείο σε περιβάλλον που υπάρχει κίνδυνος έκρηξης, στο οποίο υπάρχουν εύφλεκτα υγρά, αέρια ή σκόνη.** Τα ηλεκτρικά εργαλεία μπορεί να δημιουργήσουν σπινθηρισμό ο οποίος μπορεί να αναφλέξει τη σκόνη ή τις αναθυμιάσεις.
- c) **Όταν χρησιμοποιείτε το ηλεκτρικό εργαλείο κρατάτε τα παιδιά ή άλλα τυχόν πρόσωπα μακριά από το χώρο που εργάζεστε.** Σε περίπτωση που άλλα άτομα αποσπάσουν την προσοχή σας μπορεί να χάσετε τον έλεγχο του μηχανήματος.

### 2) ΗΛΕΚΤΡΙΚΗ ΑΣΦΑΛΕΙΑ

- a) **Το φως του καλωδίου του ηλεκτρικού εργαλείου πρέπει να ταιριάζει στην αντίστοιχη πρίζα. Δεν επιτρέπεται με κανένα τρόπο η μετασκευή του φως. Μη χρησιμοποιείτε προσαρμοστικά φως σε συνδυασμό με ηλεκτρικά εργαλεία συνδεδεμένα με τη γη (γειωμένα).** Αθικτα φως και κατάλληλες πρίζες μειώνουν τον κίνδυνο ηλεκτροπληξίας.
- b) **Αποφεύγετε την επαφή του σώματος σας με γειωμένες επιφάνειες όπως σωλήνες, θερμαντικά σώματα (καλοριφέρ), κουζίνες και ψυγεία.** Όταν το σώμα σας είναι γειωμένο αυξάνεται ο κίνδυνος ηλεκτροπληξίας.

- c) **Μην εκθέτετε το ηλεκτρικό εργαλείο στη βροχή ή την υγρασία.** Η διείσδυση νερού στο ηλεκτρικό εργαλείο αυξάνει τον κίνδυνο ηλεκτροπληξίας.
  - d) **Μη χρησιμοποιείτε το καλώδιο για να μεταφέρετε ή ν'αναρτήσετε το ηλεκτρικό εργαλείο ή για να βγάλετε το φως από την πρίζα. Κρατάτε το καλώδιο μακριά από υψηλές θερμοκρασίες, λάδια, κοφτερές ακμές ή κινούμενα εξαρτήματα.** Τυχόν χαλασμένα ή μπερδεμένα καλώδια αυξάνουν τον κίνδυνο ηλεκτροπληξίας.
  - e) **Όταν εργάζεστε με το ηλεκτρικό εργαλείο στο ύπαιθρο χρησιμοποιείτε πάντοτε καλώδια επιμήκυνσης (μπαλαντάζες) που έχουν εγκριθεί για χρήση σε εξωτερικούς χώρους.** Η χρήση καλωδίων επιμήκυνσης εγκριμένων για εργασία σε εξωτερικούς χώρους μειώνει τον κίνδυνο ηλεκτροπληξίας.
  - f) **Όταν η χρήση του ηλεκτρικού εργαλείου σε υγρό περιβάλλον είναι αναπόφευκτη, τότε χρησιμοποιήστε έναν προστατευτικό διακόπτη διαρροής.** Η χρήση ενός προστατευτικού διακόπτη διαρροής ελαττώνει τον κίνδυνο ηλεκτροπληξίας.
- ### 3) ΑΣΦΑΛΕΙΑ ΠΡΟΣΩΠΩΝ
- a) **Να είστε πάντοτε προσεκτικός/προσεκτική, να δίνετε προσοχή στην εργασία που κάνετε και να χειρίζεστε το ηλεκτρικό εργαλείο με περίσκεψη. Μην κάνετε χρήση του ηλεκτρικού εργαλείου όταν είστε κουρασμένος/κουρασμένη ή όταν βρίσκεστε υπό την επιρροή ναρκωτικών, οινοπνεύματος ή φαρμάκων.** Μια στιγμιαία απροσεξία κατά το χειρισμό του ηλεκτρικού εργαλείου μπορεί να οδηγήσει σε σοβαρούς τραυματισμούς.
  - b) **Φοράτε προστατευτικά ενδύματα και πάντοτε προστατευτικά γυαλιά.** Όταν φοράτε ενδύματα ασφαλείας, ανάλογα με το υπό χρήση ηλεκτρικό εργαλείο, όπως προσταπίδα προστασίας από σκόνη, αντιολισθικά παπούτσια ασφαλείας, κράνη ή ωτασπίδες, μειώνεται ο κίνδυνος τραυματισμών.
  - c) **Αποφεύγετε την αθέλητη εκκίνηση. Βεβαιωθείτε ότι το ηλεκτρικό εργαλείο έχει αποζευχτεί πριν το συνδέσετε με το ηλεκτρικό δίκτυο ή/και με την μπαταρία καθώς και πριν το παραλάβετε ή το μεταφέρετε.** Όταν μεταφέρετε το ηλεκτρικό εργαλείο έχοντας το δάχτυλό σας στο διακόπτη ή όταν συνδέσετε το μηχανήμα με την πηγή ρεύματος όταν αυτό είναι ακόμη συζευγμένο, τότε δημιουργείται κίνδυνος τραυματισμών.
  - d) **Αφαιρείτε από τα ηλεκτρικά εργαλεία πριν τα θέσετε σε λειτουργία τυχόν συναρμολογημένα χρησιμοποιήσιμα εργαλεία ή κλειδιά.** Ενα εργαλείο ή κλειδί συναρμολογημένο στο περιστρεφόμενο εξάρτημα ενός ηλεκτρικού εργαλείου μπορεί να οδηγήσει σε τραυματισμούς.
  - e) **Μην υπερκρίνετε τον εαυτό σας. Φροντίζετε για την ασφαλή στήριξη του σώματος σας και διατηρείτε πάντοτε την ισορροπία σας.** Αυτό σας επιτρέπει τον καλύτερο έλεγχο το ηλεκτρικού εργαλείου σε περιπτώσεις απροσδόκητων καταστάσεων.
  - f) **Φοράτε κατάλληλη ενδυμασία εργασίας. Μη φοράτε φαρδιά ενδύματα ή κοσμήματα. Κρατάτε τα μαλλιά σας, τα ενδύματα σας και τα γάντια σας**

μακριά από τα κινούμενα εξαρτήματα. Χαλαρή ενδυμασία, κοσμήματα και μακριά μαλλιά μπορεί να εμπλακούν στα κινούμενα εξαρτήματα.

- g) **Αν υπάρχει η δυνατότητα συναρμολόγησης διατάξεων αναρρόφησης ή συλλογής σκόνης, βεβαιωθείτε αν οι διατάξεις αυτές είναι συνδεδεμένες καθώς κι αν χρησιμοποιούνται σωστά.** Η χρήση μιας αναρρόφησης σκόνης μπορεί να ελαττώσει τον κίνδυνο που προκαλείται από τη σκόνη.

#### 4) ΧΡΗΣΗ ΚΙ ΕΠΙΜΕΛΗΣ ΧΕΙΡΙΣΜΟΣ ΤΩΝ ΗΛΕΚΤΡΙΚΩΝ ΕΡΓΑΛΕΙΩΝ

- a) **Μην υπερφορτώνετε το ηλεκτρικό εργαλείο.** Χρησιμοποιείτε για την εκάστοτε εργασία σας το ηλεκτρικό εργαλείο που προορίζεται γι' αυτήν. Με το κατάλληλο ηλεκτρικό εργαλείο εργάζεσθε καλύτερα και ασφαλέστερα στην αναφερόμενη περιοχή ισχύος.
- b) **Μη χρησιμοποιήσετε ποτέ ένα ηλεκτρικό εργαλείο του οποίου ο διακόπτης ON/OFF είναι χαλασμένος.** Ένα ηλεκτρικό εργαλείο το οποίο δεν μπορεί να θεθεί πλέον σε ή εκτός λειτουργίας είναι επικίνδυνο και πρέπει να επισκευαστεί.
- c) **Βγάζετε το φως από την πρίζα και/ή αφαιρέστε την μπαταρία πριν διεξάγετε στο εργαλείο μια οποιαδήποτε εργασία ρύθμισης, πριν αλλάξετε ένα εξάρτημα ή όταν πρόκειται να διαφυλάξετε/να αποθηκεύσετε το εργαλείο.** Αυτά τα προληπτικά μέτρα ασφαλείας μειώνουν τον κίνδυνο από τυχόν αθέλητη εκκίνηση του ηλεκτρικού εργαλείου.
- d) **Διαφυλάγετε τα ηλεκτρικά εργαλεία που δε χρησιμοποιείτε μακριά από παιδιά. Μην αφήνετε άτομα που δεν είναι εξοικειωμένα με το ηλεκτρικό εργαλείο ή δεν έχουν διαβάσει αυτές τις οδηγίες χρήσης να το χρησιμοποιήσουν.** Τα ηλεκτρικά εργαλεία είναι επικίνδυνα όταν χρησιμοποιούνται από άπειρα πρόσωπα.
- e) **Να περιποήστε προσεκτικά το ηλεκτρικό σας εργαλείο και να ελέγχετε, αν τα κινούμενα τμήματα του λειτουργούν άψογα και δεν μπλοκάρουν, ή μήπως έχουν χαλάσει ή σπασίσει εξαρτήματα, τα οποία επηρεάζουν έτσι αρνητικά τον τρόπο λειτουργίας του ηλεκτρικού εργαλείου. Δώστε τυχόν χαλασμένα εξαρτήματα του ηλεκτρικού εργαλείου για επισκευή ή να χρησιμοποιήσετε πάλι. Η ανεπαρκής συντήρηση των ηλεκτρικών εργαλείων αποτελεί αιτία πολλών ατυχημάτων.**
- f) **Διατηρείτε τα κοπτικά εργαλεία κοφτερά και καθαρά.** Τα κοπτικά εργαλεία που συντηρούνται με προσοχή μπορούν να οδηγηθούν εύκολα και να ελεγχθούν καλύτερα.
- g) **Χρησιμοποιείτε τα ηλεκτρικά εργαλεία, τα εξαρτήματα, τα χρησιμοποιήσιμα εργαλεία κτλ. σύμφωνα με τις παρούσες οδηγίες καθώς. Λαμβάνετε ταυτόχρονα υπόψη σας τις συνθήκες εργασίας και την υπό εκτέλεση εργασία.** Η χρήση του ηλεκτρικού εργαλείου για άλλες εκτός από τις προβλεπόμενες εργασίες μπορεί να δημιουργήσει επικίνδυνες καταστάσεις.
- #### 5) SERVICE
- a) **Δίνετε το ηλεκτρικό σας εργαλείο για επισκευή από άριστα ειδικευμένο προσωπικό, μόνο με γνήσια ανταλλακτικά.** Έτσι εξασφαλίζεται η διατήρηση της ασφάλειας του ηλεκτρικού εργαλείου.

#### ΥΠΟΔΕΙΞΙΣ ΑΣΦΑΛΕΙΑΣ ΓΙΑ ΠΙΣΤΟΛΕΤΑ

- **Φοράτε ωτασπίδες** (η επίδραση του θορύβου μπορεί να οδηγήσει σε απώλεια της ακοής)
- **Να χρησιμοποιείτε τις πρόσθετες λαβές που συνοδεύουν το εργαλείο** (η απώλεια του ελέγχου μπορεί να οδηγήσει σε τραυματισμούς)
- Προφυλάξτε το εργαλείο από τυχόν φθορές από ξένα σώματα (βίδες, καρφιά ή άλλα) που ίσως είναι μέσα στο κομμάτι που θα δουλέψετε - αφαιρέστε τα πριν αρχίσετε την εργασία
- Να κρατάτε πάντα το καλώδιο μακριά από τα κινούμενα μέρη του εργαλείου σας
- **Στερεώστε το κομμάτι εργασίας** (το κομμάτι εργασίας συγκρατείται καλύτερα με σφιγκτήρες ή σε μέγγενη παρά με το χέρι)
- Όταν τελειώνετε την δουλειά σας και ακουμπάτε το εργαλείο στο πλάι, κλείστε τον διακόπτη και βεβαιωθείτε ότι όλα τα κινούμενα μέρη του έχουν σταματήσει εντελώς
- Χρησιμοποιείτε ασφαλείς, τελειώς ξετυλιγμένες προεκτάσεις καλωδίου με χωρητικότητα 16 Amps
- Σε περίπτωση ηλεκτρικής ή μηχανικής δυσλειτουργίας, σταματήστε αμέσως το εργαλείο και βγάλτε το από την πρίζα
- Η SKIL εγγυάται την τέλεια λειτουργία του εργαλείου μόνο όταν χρησιμοποιούνται αυθεντικά εξαρτήματα
- Χρησιμοποιείτε μόνο εξαρτήματα των οποίων ο ύψιστος επιτρεπτός αριθμός στροφών είναι τουλάχιστον τόσο υψηλός, όσο ο ύψιστος αριθμός στροφών χωρίς φορτίο του εργαλείου
- Αυτό το εργαλείο δεν πρέπει να χρησιμοποιείται από άτομα κάτω των 16 ετών
- **Χρησιμοποιήστε κατάλληλες ανιχνευτικές συσκευές για να εντοπίσετε τυχόν αφανείς τροφοδοτικές γραμμές ή συμβουλευτείτε σχετικά τις επιχειρήσεις παροχής ενέργειας** (επαφή με ηλεκτρικές γραμμές μπορεί να οδηγήσει σε πυρκαϊά ή σε ηλεκτροπληξία - βλάβες σε αγωγούς φωταερίου (γκαζιού) μπορεί να οδηγήσουν σε έκρηξη - η διείσδυση σ' ένα σωλήνα νερού προκαλεί υλικές ζημιές ή μπορεί να προκαλέσει ηλεκτροπληξία)
- **Να κρατάτε το ηλεκτρικό εργαλείο από τις μονωμένες επιφάνειες συγκράτησης όταν υπάρχει κίνδυνος το εργαλείο να έρθει σε επαφή με μη ορατούς ηλεκτροφόρους αγωγούς ή το ίδιο το καλώδιό του** (η επαφή με έναν ηλεκτροφόρο αγωγό μπορεί να θέσει τα μεταλλικά μέρη του ηλεκτρικού εργαλείου επίσης υπό τάση και προκαλέσει έτσι ηλεκτροπληξία)
- **Μην κατεργάζεστε υλικά που περιέχουν αμιάντο** (το αμιάντο θεωρείται σαν καρκινογόνο υλικό)
- Η σκόνη από υλικά όπως μολύβδος που περιέχουν μόλυβδο, ορισμένα είδη ξύλου, ανόργανα στοιχεία και μέταλλα μπορεί να είναι επιβλαβής (η επαφή ή η εισπνοή της σκόνης μπορεί να προκαλέσει αλλεργικές αντιδράσεις ή/και αναπνευστικές ασθένειες στον χειριστή ή σε άτομα που παρίστανται) - **να φοράτε προσωπίδα προστασίας από τη σκόνη και να εργάζεστε με συσκευή αφαίρεσης σκόνης όταν είναι δυνατό**

- Ορισμένα είδη σκόνης ταξινομούνται ως καρκινογόνα (όπως η σκόνη από τη δρυ ή την οξιά) ιδιαίτερα σε συνδυασμό με πρόσθετα συντήρησης ξύλου - **να φοράτε προσωπίδα προστασίας από τη σκόνη και να εργάζεστε με συσκευή αφαίρεσης σκόνης όταν είναι δυνατό**
- Ακολουθήστε τις σχετικές με σκόνη εθνικές διατάξεις για τα υλικά που θέλετε να εργαστείτε
- Σε περίπτωση που υποστεί βλάβη ή κοπεί το καλώδιο κατά την εργασία, μην αγγίζετε το καλώδιο, αλλά αποσυνδέστε αμέσως το φις από την πρίζα
- Ποτέ μη χρησιμοποιείτε το εργαλείο όταν έχει υποστεί βλάβη το καλώδιο - το καλώδιο θα πρέπει να αντικατασταθεί από έναν εξειδικευμένο τεχνίτη
- Βεβαιωθείτε ότι η τάση του παρεχόμενου ρεύματος είναι ίδια με την τάση που υποδεικνύεται στην πινακίδα δεδομένων του εργαλείου (εργαλεία που φέρουν την ένδειξη 230V ή 240V μπορούν να συνδεθούν επίσης σε πρίζα 220V)
- Σε περίπτωση που το τρυπάνι μπλοκάρει κατά την εργασία (προκαλώντας μια απότομη, επικίνδυνη αντίδραση), σβήστε αμέσως το εργαλείο
- Έχετε υπόψη σας τις δυνάμεις που δημιουργούνται σαν αποτέλεσμα του μπλοκαρίσματος του εργαλείου (κυρίως όταν τρυπάτε μέταλλο) - **να χρησιμοποιείτε πάντοτε την πλευρική χειρολαβή G ②** και φροντίστε να στέκεστε σταθερά
- **Πάντα να αποσυνδέετε την πρίζα από το ηλεκτρικό δίκτυο πριν κάνετε κάποια ρύθμιση ή αλλάξετε εξάρτημα**

## ΧΡΗΣΗ

- Εκκίνηση/Σταση ④
- Έλεγχος της μέγιστης ταχύτητας ⑤  
Με τον τροχίσκο Β μπορεί να ρυθμιστεί η μέγιστη ταχύτητα από τη χαμηλή στη υψηλή αδιαβαθμια (1-6)
- Επιλογή τρόπου λειτουργίας ⑥

**! επιλέξτε τον τρόπο λειτουργίας μόνο όταν το εργαλείο είναι σβησμένο και όταν το φις είναι βγαλμένο**

- πιέστε το κουμπί C για να απασφαλίσετε το διακόπτη D
- αρχικά περιστρέψτε το διακόπτη D στον επιθυμητό τρόπο λειτουργίας έως ότου ασφαλίσει
- στη συνέχεια περιστρέψτε το διακόπτη E στον επιθυμητό τρόπο λειτουργίας  
1 = κανονικά τρύπημα/βίδωμα  
2 = τρύπημα με κρούση  
3 = σμίλευση

**! Ξεκινήστε την εργασία, μόνο εφόσον ο διακόπτης D έχει ασφαλίσει**

- για τρύπημα σε ξύλο, μέταλλα και πλαστικά υλικά καθώς και για βίδωμα πρέπει να χρησιμοποιούνται τον σχετικό προσαρμογέα (δείτε: Οδηγίες εφαρμογής)
- ο κρουστικός μηχανισμός ενεργοποιείται αν εφαρμόσετε μικρή πίεση στο εργαλείο όταν το άκρο του τρυπανιού είναι σε επαφή με το κατεργαζόμενο τεμάχιο
- δεν χρειάζεται πολύς χρόνος για να φτάσει ο κρουστικός μηχανισμός στη μέγιστη ισχύ του

- μην ασκείτε υπέρμετρη πίεση στο εργαλείο, αφήστε το εργαλείο να δουλέψει για σας
- Αλλαγή μύτων ⑦  
**! καθαρίζετε και λιπαίνετε λίγο το SDS+ εξάρτημα πριν τη τοποθέτηση του**
- τραβήξτε το κέλυφος μανδάλωσης F ② προς τα πίσω και τοποθετήστε το εξάρτημα στον SDS+ τσόκ στρέφοντας και πιέζοντας αυτό μέχρι να εμπλακεί  
- το εξάρτημα ασφαλιζεται αυτόματα
- ελέγχετε τη μανδάλωση τραβώντας από το εξάρτημα
- αφαιρέστε το εξάρτημα τραβώντας το κέλυφος μανδάλωσης F προς τα πίσω  
**! το εξάρτημα SDS+ πρέπει να κινείται ελεύθερο με αποτέλεσμα να υπάρχει έκκεντρη κίνηση κατά τις περιστροφές του εργαλείου χωρίς φορτίο - το εξάρτημα κεντράρει αυτόματα κατά την διάνοιξη οπών χωρίς να υπάρχουν επιπτώσεις στην ακρίβεια της διάνοιξης οπών**  
**! μη χρησιμοποιείτε μύτη/σμίλες με φθαρμένο στέλεχος**
- Συμπλεκτικές ασφαλείας  
Σε περίπτωση που το εξάρτημα κολλήσει, διακόπτετε η μετάδοση της κίνησης στον άξονα  
- σταματάτε αμέσως το εργαλείο  
- αφαιρέστε το σφινιομένο εξάρτημα  
- ξεκινάτε πάλι το εργαλείο
- Πως να ρυθμίσετε το βάθος του τρυπανιού ⑧
- Πώς να κρατάτε και να οδηγείτε το εργαλείο ⑨  
**! ενώ εργάζεστε, να κρατάτε πάντα το εργαλείο από τη/τις λαβή/ές με γκρι χρώμα**  
**- να χρησιμοποιείτε πάντοτε την πλευρική χειρολαβή G ②** (μπορεί να ρυθμιστεί όπως δείχνει η εικόνα)  
- κρατάτε τις σχισμές αερισμού H ② ακάλυπτες

## ΟΔΗΓΙΕΣ ΕΦΑΡΜΟΓΗΣ

- Χρησιμοποιείτε τη κατάλληλη μύτη ⑩  
**! χρησιμοποιείτε μόνο αιχμηρά μύτη/σμίλες**
- Για τρύπημα σε ξύλο, μέταλλα και πλαστικά υλικά καθώς και για βίδωμα χρησιμοποιείτε τον σχετικό προσαρμογέα (SKIL εξάρτημα 2610395660) ⑪  
- καθαρίζετε και λιπαίνετε λίγο τον σχετικό προσαρμογέα πριν τη τοποθέτηση του
- τραβήξτε το κέλυφος μανδάλωσης F ② προς τα πίσω και τοποθετήστε τον σχετικό προσαρμογέα στον SDS+ τσόκ στρέφοντας και πιέζοντας αυτό μέχρι να εμπλακεί - ο προσαρμογέας ασφαλιζει από μόνος του
- ελέγχετε τη μανδάλωση τραβώντας από τον σχετικό προσαρμογέα
- ρυθμίστε τη διακόπτη D ② στη κανονική διάτρηση **(μόνο όταν το εργαλείο είναι σβησμένο και όταν το φις είναι βγαλμένο)**
- Όταν κάνετε διάτρηση σε σιδηρούχα μέταλλα  
- προ-τρυπήστε μία τρύπα μικρότερη από την απαιτούμενη  
- λιπαίνετε τα εξάρτηματα του τρυπανιού τακτικά με λάδι

- Όταν έχετε να βιδώσετε μία βίδα στη γωνία ή σε άκρα ξύλου θα πρέπει πρώτα να τρυπήσετε με τρυπάνι για να αποφύγετε το "σκάσιμο" του ξύλου
- Για σωστό "καθαρό" τρύπημα στο ξύλο ⑫
- Τρύπημα χωρίς σκόνες σε τοίχους ⑬
- Τρύπημα χωρίς σκόνες σε οροφές ⑭
- Τρύπημα χωρίς γλιστρήματα σε πλακάκια ⑮
- Για περισσότερες συμβουλές δείτε [www.skil.com](http://www.skil.com)

## ΣΥΝΤΗΡΗΣΗ / ΣΕΡΒΙΣ

- Αυτό το εργαλείο δεν προορίζεται για επαγγελματική χρήση
- Ποτέ μην ανοίγετε μόνοι σας το εργαλείο ⑯
- Κρατάτε πάντοτε το εργαλείο και το καλώδιο καθαρά (και ιδιαίτερα τις θυρίδες αερισμού H ②)
- ! **αφαιρέστε την πρίζα πριν το καθάρισμα**
- Αν παρ' όλες τις επιμελημένες μεθόδους κατασκευής κι ελέγχου το εργαλείο σταματήσει κάποτε να λειτουργεί, τότε η επισκευή του πρέπει να ανατεθεί σ' ένα εξουσιοδοτημένο συνεργείο για ηλεκτρικά εργαλεία της SKIL
  - στείλτε το εργαλείο **χωρίς να το αποσυναμολογήσετε** μαζί με την απόδειξη αγοράς στο κατάστημα από το οποίο το αγοράσατε ή στον πλησιέστερο σταθμό τεχνικής εξυπηρέτησης της SKIL (θα βρείτε τις διευθύνσεις και το διάγραμμα συντήρησης του εργαλείου στην ιστοσελίδα [www.skil.com](http://www.skil.com))

## ΠΕΡΙΒΑΛΛΟΝ

- **Μην πετάτε τα ηλεκτρικά εργαλεία, εξαρτήματα και συσκευασία στον κάδο οικιακών απορριμμάτων** (μόνο για τις χώρες της ΕΕ)
  - σύμφωνα με την ευρωπαϊκή οδηγία 2012/19/ΕΚ περί ηλεκτρικών και ηλεκτρονικών συσκευών και την ενσωμάτωσή της στο εθνικό δίκαιο, τα ηλεκτρικά εργαλεία πρέπει να συλλέγονται ξεχωριστά και να επιστρέφονται για ανακύκλωση με τρόπο φιλικό προς το περιβάλλον
  - το σύμβολο ⑰ θα σας το θυμίσει αυτό όταν έλθει η ώρα να πετάξετε τις

## ΔΗΛΩΣΗ ΣΥΜΜΟΡΦΩΣΗΣ CE

- Δηλώνουμε υπευθύνως ότι το προϊόν αυτό είναι κατασκευασμένο σύμφωνα με τους εξής κανονισμούς ή κατασκευαστικές συστάσεις: EN 60745, EN 61000, EN 55014, κατά τις διατάξεις των κανονισμών της Κοινής Αγοράς 2004/108/ΕΚ, 2006/42/ΕΚ, 2011/65/ΕΕ
- **Τεχνικός φάκελος από:** SKIL Europe BV (PT-SEU/ENG1), 4825 BD Breda, NL

Marijn van der Hoofden  
Operations & Engineering

Olaf Dijkgraaf  
Approval Manager

SKIL Europe BV, 4825 BD Breda, NL

09.12.2013

## ΘΟΡΥΒΟ/ΚΡΑΔΑΣΜΟΥΣ

- Μετρημένη σύμφωνα με EN 60745 η στάθμη ακουστικής πίεσης αυτού του εργαλείου ανέρχεται σε 95 dB(A) και η στάθμη ηχητικής ισχύος σε 106 dB(A) (κοινή απόκλιση: 3 dB), και ο κραδασμός σε \* m/s<sup>2</sup> (μεθοδος χειρός/βραχίονα - ανασφάλεια K = 1,5 m/s<sup>2</sup>)
  - \* όταν τρυπάτε με κρούση σε μετπόν 17,0 m/s<sup>2</sup>
  - \* όταν σμίλευσετε 16,0 m/s<sup>2</sup>
- Το επίπεδο παραγωγής κραδασμών έχει μετρηθεί σύμφωνα με μια τυποποιημένη δοκιμή που αναφέρεται στο πρότυπο EN 60745 - μπορεί να χρησιμοποιηθεί για τη σύγκριση ενός εργαλείου με ένα άλλο, καθώς και ως προκαταρκτική αξιολόγηση της έκθεσης στους κραδασμούς όταν το εργαλείο χρησιμοποιείται για τις εφαρμογές που αναφέρονται
  - η χρήση του εργαλείου για διαφορετικές εφαρμογές ή με διαφορετικά ή κακοσυντηρημένα εξαρτήματα μπορεί να **αυξήσει** σημαντικά το επίπεδο έκθεσης
  - όταν το εργαλείο είναι απενεργοποιημένο ή δουλεύει αλλά δεν εκτελεί την εργασία, το επίπεδο έκθεσης μπορεί να **μειωθεί** σημαντικά
- ! **προστατευτείτε από τις επιδράσεις των κραδασμών συντηρώντας σωστά το εργαλείο και τα εξαρτήματά του, διατηρώντας τα χέρια σας ζεστά και οργανώνοντας τον τρόπο εργασίας σας**

RO

Ciocan rotopercurator

1766

## INTRODUCERE

- Această sculă este destinată pentru lucrări de perforare în beton, cărămidă și piatră, ca și pentru lucrări de dăltuire ușoare; pentru perforare în lemn, metal și material plastic, deasemenea pentru înșurubarea unor piese auxiliare specifice, în caz de utilizare a acestora
- Sistemul de găurire al acestei scule funcționează superior față de orice alt fel de perforator tradițional, atunci când se perforază în beton
- Această sculă este destinată utilizării în combinație cu toate sistemele SDS standard + piesele auxiliare
- Această sculă nu este destinată utilizării profesionale
- Citiți și păstrați acest manual de instrucțiuni ③

## CARACTERISTICI TEHNICE ①

- \*) Energia de percucie conform EPTA-Procedura 05/2009  
-> valoarea nu este încă disponibilă

## ELEMENTELE SCULEI ②

- A Întreprător deschis/închis
- B Rotiță pentru reglajul vitezei maxime
- C Buton de deblocare
- D Întreprător pentru selectarea modului de funcționare
- E Doilea întreprător pentru selectarea modului de funcționare
- F Manșon de blocare

- G Măner auxiliar
- H Fantele de ventilație
- J Sistem de reglare a adâncimii

## SIGURANȚA

### INSTRUCȚIUNI DE SIGURANȚĂ GENERALE

**⚠ ATENȚIE! Citiți toate indicațiile de avertizare și instrucțiunile.** Nerespectarea indicațiilor de avertizare și a instrucțiunilor poate provoca electrocutare, incendii și/sau răni grave. **Păstrați toate indicațiile de avertizare și instrucțiunile în vederea utilizărilor viitoare.** Termenul de "sculă electrică" folosit în indicațiile de avertizare se referă la sculele electrice alimentate de la rețea (cu cablu de alimentare) și la sculele electrice cu acumulator (fără cablu de alimentare).

#### 1) SIGURANȚA LA LOCUL DE MUNCĂ

- a) **Păstrați-vă locul de muncă curat și bine iluminat.** Dezordinea la locul de muncă sau existența unor sectoare de lucru neiluminate poate duce la accidente.
- b) **Nu folosiți mașina în medii cu pericol de explozie, acolo unde există lichide, gaze sau pulberi inflamabile.** Sculele electrice pot produce scântei care să aprindă pulberile sau vaporii.
- c) **Nu permiteți accesul copiilor și al altor persoane în timpul lucrului cu mașina.** Dacă vi se distrage atenția puteți pierde controlul asupra mașinii.

#### 2) SECURITATE ELECTRICĂ

- a) **Ștecherul de racordare a mașinii trebuie să se potrivească cu priza de alimentare. Nu este permisă în nici-un caz modificarea ștecherului. Nu folosiți adaptoare pentru ștechere la mașinile legate la pământ.** Ștecherile nemodificate și prizele de curent adecvate acestora reduc riscul de electrocutare.
- b) **Evitați contactul corporal cu suprafețe legate la pământ ca țevi, radiatoare, plite electrice și frigidere.** Există un risc crescut de electrocutare atunci când corpul dv. este și el legat la pământ.
- c) **Nu lăsați mașina afară în ploaie sau în mediu umed.** Riscul de electrocutare crește atunci când într-o sculă electrică pătrunde apă.
- d) **Nu trageți niciodată mașina de cordonul de alimentare pentru a o transporta, a o atârna sau a scoate ștecherul din priza de curent. Feriți cordonul de alimentare de căldură, ulei, muchii ascuțite sau de subansamble aflate în mișcare.** Un cordon de alimentare deteriorat sau înfășurat mărește riscul de electrocutare.
- e) **Atunci când lucrați cu scula electrică în aer liber, folosiți numai cordoane prelungitoare autorizate pentru exterior.** Întrebuințarea unui cordon prelungitor adecvat utilizării în aer liber reduce riscul de electrocutare.
- f) **Atunci când nu poate fi evitată utilizarea sculei electrice în mediu umed, folosiți un întrerupător de circuit cu împământare.** Folosirea unei întrerupător de circuit cu împământare reduce riscul de electrocutare.

#### 3) SECURITATEA PERSOANELOR

- a) **Fiți vigilenți, fiți atenți la ceea ce faceți și procedați rațional atunci când lucrați cu scula electrică. Nu**

**folosiți mașina dacă sunteți oboșiți sau vă aflați sub influența drogurilor, alcoolului sau a medicamentelor.** Un moment de neatenție în timpul lucrului cu mașina poate duce la răni grave.

- b) **Purtați echipament de protecție personală și întotdeauna ochelari de protecție.** Folosirea echipamentelor de protecție a persoanei ca mască de protecție împotriva prafului, încălțăminte antiderapantă, cască de protecție sau aparat de protecție auditivă, în funcție de tipul și domeniul de folosire al sculei electrice, reduce riscul răniilor.
  - c) **Evitați o punere în funcțiune involuntară. Înainte de a introduce ștecherul în priză și/sau de a introduce acumulatorul în scula electrică, de a o ridica sau de a o transporta, asigurați-vă că aceasta este oprită.** Dacă atunci când transportați scula electrică țineți degetul pe întrerupător sau dacă porniți scula electrică înainte de a o racorda la rețeaua de curent, puteți provoca accidente.
  - d) **Înainte de a pune mașina în funcțiune scoateți afară cheile reglabile și fixe.** O cheie reglabilă sau fixă, aflată într-o componentă de mașină care se roțește, poate provoca răni.
  - e) **Nu vă supraapreciați. Asigurați-vă o poziție stabilă și păstrați-vă întotdeauna echilibrul.** Astfel veți putea controla mai bine mașina în situații neașteptate.
  - f) **Purtați îmbrăcăminte de lucru adecvată. Nu purtați haine largi sau podoabe. Țineți părul, îmbrăcăminte și mânușile departe de componente aflate în mișcare.** Îmbrăcăminte largă, podoabe și părul lung pot fi prinse de piesele aflate în mișcare.
  - g) **Dacă există șibilitatea montării de echipamente și instalații de aspirare și colectare a prafului, asigurați-vă că acestea sunt conectate și folosite corect.** Folosirea unei instalații de aspirare a prafului poate duce la reducerea poluării cu praf.
- #### 4) MANEVRAȚI ȘI FOLOSIȚI CU GRIJĂ SCULELE ELECTRICE
- a) **Nu suprasolicitați mașina. Folosiți scula electrică destinată executării lucrării dumneavoastră.** Cu scula electrică potrivită lucrați mai bine și mai sigur în domeniul de putere specificat.
  - b) **Nu folosiți scula electrică dacă are întrerupătorul defect.** O sculă electrică, care nu mai poate fi pornită sau oprită este periculoasă și trebuie reparată.
  - c) **Scoateți ștecherul afară din priză și/sau îndepărtați acumulatorul, înainte de a executa reglaje, a schimba accesorii sau de a pune mașina la o parte.** Această măsură preventivă reduce riscul unei porniri involuntare a mașinii.
  - d) **În caz de nefolosire păstrați mașinile la loc inaccesibil copiilor. Nu permiteți persoanelor care nu sunt familiarizate cu mașina sau care n-au citit prezentele instrucțiuni, să folosească mașina.** Sculele electrice sunt periculoase atunci când sunt folosite de persoane fără experiență.
  - e) **Întrețineți-vă cu grijă mașina. Controlați dacă componentele mobile funcționează corect și dacă nu se blochează, dacă nu există piese defecte sau deteriorate, care să afecteze funcționarea mașinii.** Înainte de a repune în funcțiune mașina, duceți-o la un atelier de asistență service pentru repararea sau

**Înlocuirea pieselor deteriorate.** Multe accidente s-au datorat întreținerii defectuoase a sculelor electrice.

- f) **Păstrați accesoriile bine ascuțite și curate.** Accesoriile atent întreținute, cu muchii tăietoare bine ascuțite se blochează mai greu și pot fi conduse mai ușor.
- g) **Folosiți scule electrice, accesoriile, dispozitivele de lucru etc. conform prezentelor instrucțiuni. Țineți seama de condițiile de lucru și de lucrarea care trebuie executată.** Întrebuințarea unor scule electrice destinate altor utilizări decât cele preconizate, poate duce la situații periculoase.
- 5) **SERVICE**
- a) **Permiteți repararea mașinii dumneavoastră numai de către un specialist calificat și numai cu piese de schimb originale.** În acest mod este garantată menținerea siguranței de exploatare a mașinii.

## INSTRUCȚIUNI DE SIGURANȚĂ PENTRU CIOCANUL ROTOPERCUTOR

- **Purtați protecții auditive** (zgomotul poate provoca pierderea auzului)
- **Folosiți mânerul suplimentare din setul de livrare** (pierderea controlului poate duce la vătămări corporale)
- Evitați daunele provocate de șuruburi, țiște și alte elemente din timpul lucrului; înlăturați aceste elemente înainte de a trece la acțiune
- Feriți întotdeauna cordonul de părțile în mișcare ale sculei
- **Securizați piesa de lucru** (o piesă de lucru fixată cu clame sau într-o menghină este ținută mult mai în siguranță decât manual)
- Când puneți instrumentul la o parte, deconectați motorul și asigurați-vă că toate elementele mobile și-au oprit complet mișcarea
- Folosiți cabluri de prelungire derulate complet, protejate/izolate, cu o capacitate de 16 amperi
- În cazul unor defecțiuni electrice sau mecanice deconectați imediat instrumentul și scoateți șnurul din priză
- SKIL garantează funcționarea perfectă a aparatului numai dacă sunt folosite accesoriile originale
- Folosiți numai accesoriile a căror turație admisă este cel puțin egală cu turația maximă la mers în gol a aparatului
- Această sculă nu trebuie să fie folosit de persoane sub 16 ani
- **Folosiți detectoare adecvate pentru depistarea conductelor și conductorilor de alimentare sau apelați în acest scop la întreprinderea locală de furnizare a utilităților** (contactul cu conductorii electrici poate provoca incendii sau electrocutare; deteriorarea unei conducte de gaz poate duce la explozii; spargerea unei conducte de apă provoacă pagube materiale sau poate provoca electrocutare)
- **Prindeți scula electrică de mânerul izolat atunci când executați operații în cursul cărora accesoriul poate atinge fire electrice ascunse sau propriul cablu de alimentare** (contactul un cablu aflat sub tensiune poate pune sub tensiune și componentele metalice ale sculei electrice și duce la electrocutare)
- **Nu prelucrați materiale care conțin azbest** (azbestul este considerat a fi cancerigen)

- Praful rezultat din materiale precum vopseala care conține plumb, unele specii de lemn, minerale și metale poate fi periculos (contactul cu praful sau inhalarea acestuia poate provoca reacții alergice și/sau afecțiuni respiratorii operatorului sau persoanelor care stau în apropiere); **purtați o mască de praf și lucrați cu un dispozitiv de extragere a prafului când poate fi conectat**
- Anumite tipuri de praf sunt clasificate ca fiind cancerigene (cum ar fi praful de stejar și fag) în special în combinație cu aditivi pentru tratarea lemnului; **purtați o mască de praf și lucrați cu un dispozitiv de extragere a prafului când poate fi conectat**
- Respectați reglementările naționale referitoare la aspirația prafului în funcție de materialele de lucru folosite
- În cazul în care cordonul este deteriorat sau secționat în timpul lucrului, nu atingeți cordonul, dar deconectați imediat de la priză
- Nu folosiți scula atunci când cordonul sau prezintă defecțiuni; înlocuirea lor se va efectua de o persoană autorizată
- Verificați întotdeauna dacă tensiunea de alimentare este aceeași cu tensiunea indicată pe plăcuța de identificare a sculei (sculele cu o specificație de 230V și 240V pot fi conectate și la alimentare de 220V)
- Dacă burghiul se blochează brusc (ceea ce cauzează o reacție periculoasă) trebuie să opriți imediat aparatul
- Țineți socoteala de forțele care se creează ca urmare a blocării (mai ales la găurirea în metal); **folosiți întotdeauna mânerul auxiliar G ②** și luați o poziție stabilă
- **Decuplați întotdeauna ștecherul de la sursa de alimentare înainte de a face o reglare sau o schimbare de accesoriu**

## UTILIZAREA

- Pornit/oprit ④
- Reglajul vitezei maxime ⑤  
Potențiometrul rotativ B asigură reglajul al vitezei maxime de la mică la mare (1-6)
- Selectarea modului de funcționare ⑥
  - ! **selectați modul de funcționare numai când scula este oprită și deconectată de la priză**
  - apăsați butonul C pentru a debloca comutatorul D
  - mai întâi rotiți întrerupătorul D în modul de funcționare dorit până când se autoblochează
  - apoi rotiți întrerupătorul E în modul de funcționare dorit
    - 1 = găurire normală/înșurubare
    - 2 = găurire cu rotopercuție
    - 3 = dăltuire
- ! **începeți să lucrați numai când comutatorul D este blocat**
  - pentru găurire în lemn, metal și material plastic, deasemenea pentru înșurubarea vor fi folosite adaptorul corespunzător (vezi: Sfaturi pentru utilizare)
  - mecanismul de percuție este pus în funcțiune prin apăsarea ușoară a sculei, în momentul în care vârful burghiului se găsește în contact cu piesa de prelucrat
  - mecanismul de percuție atinge puterea maximă de impact după o perioadă scurtă

- nu exercitați prea multă presiune asupra aparatului; lăsați aparatul să funcționeze
- Încercarea biți (7)
  - ! **Înainte de a insera, curățați și ungeți ușor SDS+ accesoriile**
  - trageți înapoi manșonul de blocare F (2) și inserați accesoriul în SDS+ mandrină; în timp ce-l rotiți, împingeți până ce acesta s-a angajat; accesoriul se blochează automat în poziție
  - trageți de accesoriu pentru a verifica dacă acesta s-a blocat corect
  - îndepărtați accesoriul prin tragerea înapoi a manșonului de blocare F
  - ! **SDS+ accesoriul necesită libertate de mișcare, ceea ce cauzează excentricitate atunci când scula funcționează în gol; oricum accesoriul se centrează automat în timpul prelucrării, fără să afecteze precizia de găurire**
  - ! **Nu folosiți biți/dălți cu coadă deteriorată**
- Cuplaj de siguranță
  - Înterupe transmisia la fus, în cazul în care se blochează accesoriul
    - întrerupeți imediat scula
    - înlăturați accesoriul blocat
    - puneți scula din nou în funcțiune
- Reglajul adâncimii de găurire (8)
- Mănuirea și dirijarea sculei (9)
  - ! **În timp ce lucrați, țineți întotdeauna scula de zonă (zonele) de prindere colorate gri**
  - **folosiți întotdeauna mânerul auxiliar G (2)** (care trebuie să fie ajustat așa cum apare în schemă)
  - mențineți fantele de ventilație H (2) neacoperite

## SFATURI PENTRU UTILIZARE

- Folosiți biți juste (10)
  - ! **folosiți numai biți/dălți ascuțite**
- Pentru găurire în lemn, metal și material plastic, cât și pentru înșurubare, folosiți adaptorul corespunzător (accesoriu SKIL 2610395660) (11)
  - înainte de a insera, curățați și ungeți ușor adaptorul
  - trageți înapoi manșonul de blocare F (2) și inserați adaptorul în SDS+ mandrină; în timp ce-l rotiți, împingeți până ce acesta s-a angajat; adaptorul se blochează automat în poziție
  - trageți de adaptor pentru a verifica dacă acesta s-a blocat corect
  - alegeți întrerupătorul D (2) pentru găurire normală (**se acționează numai atunci când scula este oprită și deconectată de la priză**)
- La găurirea în metale feroase
  - când este necesară găurirea la un diametru mare, efectuați întâi o găurire intermediară, la diametru mai mic
  - ungeți cu ulei din când în când burghiul
- Atunci când doriți să suciți un șurub la marginea, colțul, capătul lemnului, se recomandă să faceți o gaură cu instrumentul de găurit pentru a evita crăparea lemnului
- Găurire așchiată în lemn (12)
- Găurire în ziduri fara praf (13)
- Găurire în plăoane fara praf (14)
- Găurire în tigle fara a aluneca (15)
- A se vedea alte recomandări la [www.skil.com](http://www.skil.com)

## ÎNȚREȚINERE / SERVICE

- Această sculă nu este destinată utilizării profesionale
- Nu demontați niciodată personal instrumentul (16)
- Păstrați aparatul și cablul curat (mai ales fantele de ventilație H (2))
  - ! **deconectați de la priză înainte de a curăța**
- Dacă în ciuda procedurilor de fabricație și control riguroase scula are totuși o pană, repararea acesteia se va face numai la un atelier de asistență service autorizat pentru scule electrice SKIL
  - trimiteți scula **în totalitatea lui** cu bonul de cumpărare la distribuitorul sau la centrul de service SKIL cel mai apropiat (adrese și diagrame de service se găsesc la [www.skil.com](http://www.skil.com))

## MEDIUL

- **Nu aruncați sculele electrice, accesoriile sau ambalajele direct la pubelele de gunoi** (numai pentru țările din Comunitatea Europeană)
  - Directiva Europeană 2012/19/EC face referire la modul de aruncare a echipamentelor electrice și electronice și modul de aplicare a normelor în conformitate cu legislația națională; sculele electrice în momentul în care au atins un grad avansat de uzură și trebuie aruncate, ele trebuie colectate separat și reciclate într-un mod ce respectă normele de protecție a mediului inconjurător
  - simbolul (17) vă va reaminti acest lucru

## DECLARAȚIE DE CONFORMITATE CE

- Declaram pe proprie răspundere că acest produs este conform cu următoarele standarde sau documente standardizate: EN 60745, EN 61000, EN 55014, în conformitate cu regulile 2004/108/CE, 2006/42/CE, 2011/65/JE
- **Documentație tehnică la:** SKIL Europe BV (PT-SEU/ENG1), 4825 BD Breda, NL

Marijn van der Hoofden      Olaf Dijkgraaf  
Operations & Engineering      Approval Manager




SKIL Europe BV, 4825 BD Breda, NL

09.12.2013

## ZGOMOT/VIBRAȚII

- Măsurat în conformitate cu EN 60745 nivelul de presiune a sunetului generat de acest instrument este de 95 dB(A) iar nivelul de putere a sunetului 106 dB(A) (abaterea standard: 3 dB), iar nivelul vibrațiilor \* m/s<sup>2</sup> (metoda mână-brat; incertitudine K = 1,5 m/s<sup>2</sup>)
  - \* când găuriți cu percuție în beton 17,0 m/s<sup>2</sup>
  - \* când dăltuiți 16,0 m/s<sup>2</sup>
- Nivelul emisiilor de vibrații a fost măsurat în conformitate cu un test standardizat precizat în EN 60745; poate fi folosit pentru a compara o sculă cu alta și ca evaluare preliminară a expunerii la vibrații atunci când folosiți scula pentru aplicațiile menționate

- utilizarea sculei pentru aplicații diferite sau cu accesorii diferite și prost întreținute poate **crește** semnificativ nivelul de expunere
- momentele în care scula este oprită sau când funcționează dar nu execută nicio lucrare, pot **reduce** semnificativ nivelul de expunere
- ! **protejați-vă împotriva efectelor vibrațiilor prin întreținerea sculei și a accesoriilor sale, păstrând mâinile calde și organizând procesele de lucru**

BG

## Перфоратор

1766

### УВОД

- Този инструмент е предназначен за ударно пробиване на бетон, тухла и камък, както и за използване като леко длето; за пробиване на дърво, метал и пластмаса, както и за завиване на винтове, трябва да се използват специални накрайници
- Ударната система на този инструмент превъзхожда всички традиционни пробивни системи с хралов механизъм при пробиването на бетон
- Този инструмент е проектиран за работа в комбинация с всички стандартни SDS+ накрайници
- Този инструмент не е предназначен за професионална употреба
- Прочетете и пазете това ръководство за работа ③

### ТЕХНИЧЕСКИ ПАРАМЕТРИ ①

- \*) Енергия на единичен удар съгласно EPTA-Procedure 05/2009 -> все още няма налична стойност

### ЕЛЕМЕНТИ НА ИНСТРУМЕНТА ②

- A Спусък за включване/изключване
- B Диска за регулиране на максимална скорост
- C Деблокиращ бутон
- D Превключвател за избор на режим на работа
- E Втори превключвател за избор на режим на работа
- F Затягаща втулка
- G Помощна ръчка
- H Вентилационните отвори
- J Дълбочинен ограничител

## БЕЗОПАСНОСТ

### ОБЩИ УКАЗАНИЯ ЗА БЕЗОПАСНА РАБОТА

**⚠ ВНИМАНИЕ!** Прочетете внимателно всички указания. Неспазването на приведените по долу указания може да доведе до токов удар, пожар и/или тежки травми. **Съхранявайте тези указания на сигурно място.** Използваният по-долу термин "електроинструмент" се отнася до захранвани от електрическата мрежа електроинструменти (със захранващ кабел) и до захранвани от акумулаторна батерия електроинструменти (без захранващ кабел).

#### 1) БЕЗОПАСНОСТ НА РАБОТНОТО МЯСТО

- Поддържайте работното си място чисто и подредено.** Безпорядъкът или недостатъчното осветление могат да спомогнат за възникването на трудова злополука.
  - Не работете с електроинструмента в среда с повишена опасност от възникване на експлозия, в близост до леснозапалими течности, газове или прахообразни материали.** По време на работа в електроинструментите се отделят искри, които могат да възпламенят прахообразни материали или пари.
  - Дръжте деца и странични лица на безопасно разстояние, докато работите с електроинструмента.** Ако вниманието Ви бъде отклонено, може да загубите контрола над електроинструмента.
- #### 2) БЕЗОПАСНОСТ ПРИ РАБОТА С ЕЛЕКТРИЧЕСКИ ТОК
- Щепселът на електроинструмента трябва да е подходящ за ползвания контакт. В никакъв случай не се допуска изменение на конструкцията на щепсела.** Когато работите със занулени електроуреди, не използвайте адаптери за щепсела. Ползването на оригинални щепсели и контакти намалява риска от възникване на токов удар.
  - Избягвайте допира на тялото Ви до заземен тел, напр. тръби, отоплителни уреди, пещи и хладилници.** Когато тялото Ви е заземено, рискът от възникване на токов удар е по-голям.
  - Предпазвайте електроинструмента си от дъжд и влага.** Проникването на вода в електроинструмента повишава опасността от токов удар.
  - Не използвайте захранващия кабел за цели, за които той не е предвиден, напр. за да носите електроинструмента за кабела или да извидите щепсела от контакта.** Предпазвайте кабела от нагриване, омасляване, допир до остри ръбове или до подвижни звена на машини. Повредени или усукани кабели увеличават риска от възникване на токов удар.
  - Когато работите с електроинструмент навън, използвайте само удължителни кабели, предназначени за работа на открито.** Използването на удължител, предназначен за работа на открито, намалява риска от възникване на токов удар.
  - Ако се налага използването на електроинструмента във влажна среда, използвайте предпазен прекъсвач за утечни токове.** Използването на предпазен прекъсвач за утечни токове намалява опасността от възникване на токов удар.
- #### 3) БЕЗОПАСЕН НАЧИН НА РАБОТА
- Бъдете концентрирани, следете внимателно действията си и постъпвайте предпазливо и разумно. Не използвайте електроинструмента, когато сте уморени или под влиянието на наркотични вещества, алкохол или упойващи лекарства.** Един миг разсеяност при работа с електроинструмент може да има за следствие изключително тежки наранявания.



- b) **Работете с предпазващо работно облекло и винаги с предпазни очила.** Носенето на подходящи за ползвания електроинструмент и извършваната дейност лични предпазни средства, като дихателна маска, здрави плътнотазворени обувки със стабилен грайфер, защитна каска или шумозаглушители (антифони), намалява риска от възникване на трудова злополука.
- c) **Избягвайте опасността от включване на електроинструмента по невнимание. Преди да включите щепсела в захранващата мрежа или да поставите акумулаторната батерия, се уверявайте, че пусковият прекъсвач е в положение изключено.** Ако, когато носите електроинструмента, държите пръста си върху пусковия прекъсвач, или ако подавате захранващо напрежение на електроинструмента, когато е включен, съществува опасност от възникване на трудова злополука.
- d) **Преди да включите електроинструмента, се уверявайте, че сте отстранили от него всички помощни инструменти и гаечни ключове.** Помощен инструмент, забравен на въртящо се звено, може да причини травми.
- e) **Не надценявайте възможностите си. Работете в стабилно положение на тялото и във всеки момент поддържайте равновесие.** Така ще можете да контролирате електроинструмента по-добре и по-безопасно, ако възникне неочаквана ситуация.
- f) **Работете с подходящо облекло. Не работете с широки дрехи или украшения. Дръжте косата си, дрехите и ръкавици на безопасно разстояние от въртящи се звена на електроинструментите.** Широките дрехи, украшенията, дългите коси могат да бъдат захванати и увлечени от въртящи се звена.
- g) **Ако е възможно използването на външна аспирационна система, се уверявайте, че тя е включена и функционира изправно.** Използването на аспирационна система намалява рисковете, дължащи се на отделящата се при работа прах.
- 4) ВНИМАТЕЛНО ОТНОШЕНИЕ НЪМ ЕЛЕКТРОИНСТРУМЕНТИ**
- a) **Не претоварвайте електроинструмента. Използвайте електроинструментите само съобразно тяхното предназначение.** Ще работите по-добре и по-безопасно, когато използвате подходящия електроинструмент в зададения от производителя диапазон на натоварване.
- b) **Не използвайте електроинструмент, чиито пусков прекъсвач е повреден.** Електроинструмент, който не може да бъде изключван и включван по предвидения от производителя начин, е опасен и трябва да бъде ремонтиран.
- c) **Преди да промените настройките на електроинструмента, да замените работни инструменти и допълнителни приспособления, както и когато продължително време няма да използвате електроинструмента, изключвайте щепсела от захранващата мрежа и/или изваждайте акумулаторната батерия.** Тази мярка

премахва опасността от задействане на електроинструмента по невнимание.

- d) **Съхранявайте електроинструментите на места, където не могат да бъдат достигнати от деца. Не допуснете те да бъдат използвани от лица, които не са запознати с начина на работа с тях и не са прочели тези инструкции.** Когато са в ръцете на неопитни потребители, електроинструментите могат да бъдат изключително опасни.
- e) **Поддържайте електроинструментите си грижливо. Проверявайте дали подвижните звена функционират безупорно, дали не заклинват, дали има счупени или повредени детайли, които нарушават или изменят функциите на електроинструмента. Преди да използвате електроинструмента, се погрижете повредените детайли да бъдат ремонтирани.** Много от трудовете злополуки се дължат на недобре поддържани електроинструменти и уреди.
- f) **Поддържайте режещите инструменти винаги добре заточени и чисти.** Добре поддържаните режещи инструменти с остри ръбове оказват по-малко съпротивление и се водят по-леко.
- g) **Използвайте електроинструментите, допълнителните приспособления, работните инструменти и т.н., съобразно инструкциите на производителя. С дейности и процедури, евентуално предписани от различни нормативни документи.** Използването на електроинструменти за различни от предвидените от производителя приложения повишава опасността от възникване на трудови злополуки.
- 5) ПОДДЪРЖАНЕ**
- a) **Допускателен ремонтът на електроинструментите Ви да се извършва само от квалифицирани специалисти и само с използването на оригинални резервни части.** По този начин се гарантира съхраняване на безопасността на електроинструмента.

#### **УКАЗАНИЯ ЗА БЕЗОПАСНА РАБОТА ЗА ПЕРФОРАТОР**

- **Работете с шумозаглушители** (въздействието на шум може да предизвика загуба на слух)
- **Използвайте включените в окомплектовката спомагателни ръкохватки** (при загуба на контрол над инструмента може да се стигне до травми)
- **Избягвайте повреди, които могат да бъдат причинени от винтове, гвоздеи и други метални елементи в обработвания детайл; отстранете ги преди да започнете работа**
- **Винаги отвеждайте захранващият кабел далеч от движещите се звена на електроинструмента**
- **Обезопасете работния материал** (материал, затегнат в затягащ инструмент или в менгеме е по-устойчив, отколкото ако се държи в ръка)
- **Преди да приберете инструмента, изключете мотора и се уверете, че всички движещи се части са преустановили движението**
- **Използвайте напълно развити и обезопасени разклонители с капацитет 16 A**

- В случай на електрическа или механична неизправност, изключете незабавно апарата и прекъснете контакта с електрическата мрежа
- SKIL може да осигури безаварийна работа на електроинструмента само ако се използват оригинални допълнителни приспособления
- Използвайте само принадлежности, чиято допустима скорост на въртене е по-голяма или равна на максималната скорост на въртене на празен ход на електроинструмента
- Машината не трябва да се използва от лица под 16 години
- **За да откриете скрити под повърхността електро-, водо- и газопроводи, използвайте подходящи уреди или се обърнете към местното снабдително дружество** (прекъсването на електропроводници под напрежение може да предизвика пожар и/или токов удар; увреждането на газопровод може да предизвика експлозия; засягането на водопровод може да предизвика значителни материални щети и/или токов удар)
- **Когато изпълнявате дейности, при които работният инструмент може да попадне на скрити под повърхността проводници под напрежение или да засегне ذخарнаващия кабел, внимавайте да допирате електроинструмента само до изолираните ръкохватки** (при контакт с проводник под напрежение то се предава на металните детайли на електроинструмента и това може да предизвика токов удар)
- **Не обработвайте азбестосъдържащ материал** (азбестът е канцерогенен)
- Прахът от някои материали, като например съдържаща олово боя, някои видове дървесина, минерали и метали може да бъде вреден (контакт или вдишване на такъв прах могат да причинят алергични реакции и/или респираторни заболявания на оператора или стоящите наблизо лица); **използвайте противопрахова маска и работете с аспиращо прахта устройство, когато танова може да бъде свързано**
- Определени видове прах са класифицирани като карциногенни (като прах от дъб и бук) особено когато са комбинирани с добавки за подобряване на състоянието на дървесината; **използвайте противопрахова маска и работете с аспиращо прахта устройство, когато танова може да бъде свързано**
- Следвайте дефинираните по БДС изисквания относно запрашеността за материалите, които желаете да обработвате
- Ако кабелът се повреди ил среже по време на работа, не го докосвайте, веднага изключете щепсела, никога не използвайте инструмента с повреден кабел
- Не използвайте инструмента, когато е повреден шурът; замената му следва да се извърши от квалифицирано лице
- Преди включване на инструмента в контакта се уверете, че мрежовото напрежение отговаря на напрежението, обозначено на фирмената табелка на инструмента (инструменти с номинално напрежение

230V или 240V могат да бъдат включени и към ذخарнаване с напрежение 220V)

- Ако свредлото на пробивната инструмент неочаквано заседне (предизвиквайки внезапно, опасно противодействие), незабавно изключете електроинструмента
- Имайте предвид силите, които възникват в резултат на засядане на свредлото (особено при пробиване на метали); **винаги използвайте спомагателна ръчка G ②** и поддържайте устойчиво положение на тялото
- **Преди извършването на канвата и да било настройка или смяна на принадлежност винаги изваждайте щепсела от контакта на електроразхранването**

## УПОТРЕБА

- Включване/изключване ④
- Управление на максималната скорост ⑤  
С диска В максималната скорост може да се регулира от ниска до висока (1-6)
- Избор на режим на работа ⑥
- ! **избирайте режим на работа само при изключен инструмент и щепселът е изключен от контакта**
  - натиснете бутон C, за да деблокирате превключвател D
  - първо включете превключвател D на желания работен режим, докато блокира с щракване
  - след което включете превключвател E на желания работен режим
  - 1 = нормално пробиване/завиване на винтове
  - 2 = ударно пробиване
  - 3 = изсичане
- ! **започвайте работа само когато превключателят D е блокиран**
  - за пробиване на дърво, метал и пластмаса, както и за завиване на винтове трябва да се използват подходяща адаптера (виж: Указания за работа)
  - ударният механизъм се задейства с леко натискане на инструмента, когато свредлото е в контакт с работната повърхност
  - достигането на пълна сила на удара от ударния механизъм отнема известно време
  - не прилагайте твърде голям натиск върху електроинструмента; нека той да свърши работата вместо вас
- Смяна на бит ⑦
- ! **почистете и леко смажете найкрайника SDS+ преди поставянето му**
  - изтеглете назад затягащата втулка F ② и пхнете найкрайника в затягащия патрон SDS+, като го въртите и натискате докато зацепи; найкрайникът се захваща автоматично в нужното положение
  - дръпнете найкрайника, за да проверите дали е захванат правилно
  - свалете найкрайника като изтеглите назад затягащата втулка F
- ! **найкрайникът SDS+ изисква свобода на движението, когато инструментът не е наточен; при работа обаче найкрайникът се**

## центрира автоматично без да нарушава точността на пробиване

### ! не използвайте бит/длета с повредена опашка

- Предпазна муфта
- Прекъсва задвижването на вретеното, ако накрайникът заяде
  - незабавно изключете инструмента
  - свалете заялия накрайник
  - включете инструмента отново
- Регулиране на дълбочината на пробиване ⑧
- Държане и насочване на инструмента ⑨

### ! по време на работа, винаги дръжте уреда за оцветената(ите) в сиво зона(и) за хващане

- винаги използвайте спомагателна ръчка G ② (наглася се както е показано на илюстрацията)
- оставяйте вентилационните отвори H ② непокрити

## УКАЗАНИЯ ЗА РАБОТА

- Използвайте подходящи бит ⑩
- ! използвайте само остри бит/длета
- За пробиване на дърво, метал и пластмасата, както и за завиване на винтове трябва да се използват подходяща адаптер (аксесоар SKIL 2610395660) ⑪
  - почистете и леко смажете адаптера преди поставянето ѝ
  - изтеглете назад затягащата втулка F ② и пъхнете адаптера в SDS+ патрона, като въртите и натискате докато зацели; адаптера се захваща автоматично в нужното положение
  - дръпнете адаптера, за да проверите дали е захваната правилно
  - поставете превключателя D ② в положение "нормално пробиване" (работи само при изключен инструмент и щепселът е изключен от нонтакта)
- При пробиване на цветни метали
  - ако ви трябва голям отвор, първо пробийте малък
  - от време на време смазвайте свредлата с машинно масло
- При завиване на винт в близост до ръба на дървен детайл първо пробийте отвор, за да избегнете откътрване на дървото
- Пробиване в дърво без откътрване на ръбчето ⑫
- Безпрахово пробиване в стени ⑬
- Безпрахово пробиване в тавани ⑭
- Пробиване на керамични плочки без плъзгане на свредлото ⑮
- За повече полезни указания вж. [www.skil.com](http://www.skil.com)

## ПОДДРЪЖКА / СЕРВИЗ

- Този инструмент не е предназначен за професионална употреба
- Никога не отваряйте сами инструмента ⑯
- Поддържайте винаги електроинструмента и хранящата кабел чисти (особено вентилационните отвори H ②)
- ! преди почистване изключете щепсела
- Ако въпреки прецизното производство и внимателно изпитване възникне повреда, инструмента да се

занесе за ремонт в оторизиран сервиз за електроинструменти на SKIL

- занесете инструмента в неразглобен вид заедно с доказателство за покупката му в търговския обект, откъдето сте го закупили, или в най-близкия сервиз на SKIL (адресите, както и схемата за сервизно обслужване на електроинструмента, можете да намерите на адрес [www.skil.com](http://www.skil.com))

## ОПАЗВАНЕ НА ОКОЛНАТА СРЕДА

- Не извършвайте електроуредите, приспособленията и опаковките заедно с битови отпадъци (само за страни от ЕС)
  - съобразно Директивата на ЕС 2012/19/EG относно износени електрически и електронни уреди и отразяването ѝ в националното законодателство износените електроуреди следва да се събират отделно и да се предават за рециклиране според изискванията за опазване на околната среда
  - за това указва символът ⑰ тогава когато трябва да бъдат унищожени

## ДЕКЛАРАЦИЯ ЗА СЪОТВЕТСТВИЕ СЕ

- Декларираме на изцяло наша отговорност, че това изделие е съобразено със следните стандарти или стандартизирани документи: EN 60745, EN 61000, EN 55014, в съответствие с нормативната уредба на 2004/108/EG, 2006/42/EG, 2011/65/EC
- Подробни технически описания при: SKIL Europe BV (PT-SEU/ENG1), 4825 BD Breda, NL

Marijn van der Hoofden      Olaf Dijkgraaf  
Operations & Engineering      Approval Manager

SKIL Europe BV, 4825 BD Breda, NL

09.12.2013

## ШУМ/ВИБРАЦИИ

- Измерено в съответствие с EN 60745 нивото на звуково налягане на този инструмент е 95 dB(A) а нивото на звукова мощност е 106 dB(A) (стандартно отклонение: 3 dB), а вибрациите са \* m/c<sup>2</sup> (метод ръчка-рамо; неопределеност K = 1,5 m/c<sup>2</sup>)
  - \* при ударно пробиване в бетон 17,0 m/c<sup>2</sup>
  - \* при използване 16,0 m/c<sup>2</sup>
- Нивото на предадените вибрации е измерено в съответствие със стандартизирания тест, определен в EN 60745; то може да се използва за сравнение на един инструмент с друг и като предварителна оценка на подлагането на вибрации при използването на инструмента за посочените приложения
  - използването на инструмента за различни от тези приложения или с други, или лошо поддържани аксесоари може значително да повиши нивото на което сте подложени

- периодите от време, когато инструмента е изключен или съответно включен, но с него не се работи в момента могат значително да намалят нивото на което сте подложени

**! предпазвайте се от ефектите от вибрациите, като поддържате инструмента и аксесоарите му, пазете ръцете си топли и организирате вашите модели на работа**

SK

## Vrtací kladivo

1766

### ÚVOD

- Tento nástroj sa má používať na príklepové vrtanie do betónu, tehly a kameňa, ako aj na ľahké sekание; na vrtanie do dreva kovu a plastického materiálu ako aj na skrútkovanie by sa malo používať špeciálne príslušenstvo
- Príklepový systém na tomto nástroji má pri vrtaní do betónu lepší výkon ako ktorákoľvek ručná vrtáčka
- Tento nástroj js môže používať v kombinácii so všetkými štandardnými SDS+ príslušenstvom
- Tento nástroj nie je vhodný pre profesionálne použitie
- Prečítajte a uschovajte tento návod na použitie ③

### TECHNICKÉ ŠPECIFIKÁCIE ①

\*) Intenzita jednotlivých príklepov podľa EPTA-Procedure 05/2009 -> hodnota ešte nie je k dispozícii

### ČASTI NÁSTROJA ②

- A Vypnutie a zapnutie
- B Kolesko na nastavenie maximálnej rýchlosti
- C Tlačidlo odblokovania
- D Prepínač na voľbu pracovného režimu
- E Druhý prepínač na voľbu pracovného režimu
- F Zamykacia objímka
- G Pomocné držiadlo
- H Vetracie štrbiny
- J Hľbkový doraz

### BEZPEČNOSŤ

#### VŠEOBECNÉ BEZPEČNOSTNÉ POKYNY

**⚠ POZOR! Prečítajte si všetky výstražné upozornenia a bezpečnostné pokyny.** Zanedbanie dodržiavania výstražných upozornení a pokynov uvedených v nasledujúcom texte môže mať za následok zásah elektrickým prúdom, spôsobíť požiar a/alebo ťažké poranenie. **Tieto výstražné upozornenia a bezpečnostné pokyny starostlivo uschovajte na budúce použitie.** Pojem ručné "elektrické náradie" používaný v nasledujúcom texte sa vzťahuje na ručné elektrické náradie napájané zo siete (s prírodnou šnúrou) a na ručné elektrické náradie napájané akumulátorovou batériou (bez prírodnej šnúry).

#### 1) BEZPEČNOSŤ NA PRACOVISKU

##### a) Udržiavajte svoje pracovisko čisté a upratané.

Neporiadok na pracovisku alebo neosvetlené časti pracoviska môžu viesť k úrazom.

##### b) Nepracujte elektrickým náradím v prostredí

ohrozenom výbuchom, v ktorom sa nachádzajú horľavé kvapaliny, plyny alebo prach. Elektrické náradie produkuje iskry, ktoré môžu prach alebo pary zapáliť.

##### c) Deti a iné osoby udržiavajte počas práce od

ručného elektrického náradia v dostatočnej vzdialenosti. V prípade odpútania Vašej pozornosti by ste mohli stratiť kontrolu nad náradím.

#### 2) ELEKTRICKÁ BEZPEČNOSŤ

##### a) Zástrčka prírodnej šnúry sa musí hodiť do

napájacej zásuvky. Zástrčka sa v žiadnom prípade nesmie meniť. Pri uzemnených spotrebičoch nepoužívajte spolu s nimi žiadne adaptéry.

Nezmenená zástrčka a vhodná zásuvka znižujú riziko zásahu elektrickým prúdom.

##### b) Vyhýbajte sa telesnému kontaktu s povrchovými

plochami uzemnených spotrebičov, ako sú elektrické rúry, vyhrievacie telesá, sporáky a chladničky. Keď je Vaše telo uzemnené, riziko zásahu elektrickým prúdom je vyššie.

##### c) Chráňte ručné elektrické náradie pred dažďom a

vlhkom. Vniknutie vody do ručného elektrického náradia zvyšuje riziko zásahu elektrickým prúdom.

##### d) Nepoužívajte prírodnú šnúru na prenášanie

náradia, na jeho vešanie, ani za ňu nevyťahujte zástrčku zo zásuvky. Prírodnú šnúru chráňte pred horúčavou, olejom, ostrými hranami alebo pohybujúcimi sa časťami náradia. Poškodené alebo zauzlené šnúry zvyšujú riziko zásahu elektrickým prúdom.

##### e) Ak pracujete s ručným elektrickým náradím vonku,

používajte len také predlžovacie šnúry, ktoré sú schválené pre používanie vo vonkajších priestoroch. Používanie predlžovacej šnúry určenej do vonkajšieho prostredia znižuje riziko zásahu elektrickým prúdom.

##### f) Ak sa nedá vyhnúť použitiu ručného elektrického

náradia vo vlhkom prostredí, použite prerušovač uzemňovacieho obvodu. Používanie prerušovača uzemňovacieho obvodu znižuje riziko zásahu elektrickým prúdom.

#### 3) BEZPEČNOSŤ OSÔB

##### a) Buďte pozorní, dávajte pozor na to, čo robíte a k

práci s elektrickým náradím pristupujte rozumne. Nepoužívajte elektrické náradie, keď ste unavení alebo keď ste pod vplyvom drog, alkoholu alebo liekov. Chvíľka nepozornosti pri používaní náradia môže viesť k vážnym poraneniam.

##### b) Noste osobné ochranné pomôcky, ochranný odev a

vždy majte nasadené ochranné okuliare. Nosenie pracovného odevu a používanie ochranných pomôcok ako ochrannej dýchacej masky, bezpečnostných protišmykových topánok, prilby alebo chrániča sluchu, podľa druhu elektrického náradia, znižuje riziko poranenia.

##### c) Vyhýbajte sa neúmyselnému uvedeniu ručného

elektrického náradia do činnosti. Pred zasunutím

- zástrčky do zásuvky a/alebo pred pripojením akumulátora, pred chytením alebo prenášaním ručného elektrického náradia sa vždy presvedčte sa, či je ručné elektrické náradie vypnuté. Ak budete mať pri prenášaní ručného elektrického náradia prst na vypínači, alebo ak ručné elektrické náradie pripojíte na elektrickú sieť zapnuté, môže to mať za následok nehodu.
- d) **Skôr ako ručné elektrické náradie zapnete, odstráňte nastavovacie a montážne nástroje.** Nástroj alebo kľúč, ktorý sa nachádza v pohyblivej časti náradia, môže spôsobiť poranenie.
- e) **Neprečunajte sa. Zabezpečte si pevný postoj a neprestajne udržiavajte rovnováhu.** Takto budete môcť ručné elektrické náradie v neočakávaných situáciách lepšie kontrolovať.
- f) **Pri práci noste vhodný pracovný odev. Nenoste široké odevy a nemajte na sebe šperky. Dbajte na to, aby ste mali vlasy, odev a rukavice v dostatočnej vzdialenosti od pohybujúcich sa častí náradia.** Pohybujúce sa časti náradia by mohli zachytiť voľné oblečenie, šperky alebo dlhé vlasy.
- g) **Ak možno namontovať zariadenie na odsávanie alebo zachytávanie prachu, presvedčte sa, či je pripojené a správne používané.** Používanie odsávacieho zariadenia a zariadenia na zachytávanie prachu znižuje riziko ohrozenia zdravia prachom.
- 4) STAROSTLIVÉ ZAOBCHÁDZANIE S ELEKTRICKÝM NÁRADÍM A JEHO POUŽÍVANIE**
- a) **Náradie nepreťažujte. Pre svoju prácu používajte určené elektrické náradie.** Pomocou vhodného ručného elektrického náradia budete môcť v uvedenom rozsahu výkonu pracovať lepšie a bezpečnejšie.
- b) **Nepoužívajte žiadne ručné elektrické náradie, ktoré má pokazený vypínač.** Ručné elektrické náradie, ktoré sa už nedá zapínať alebo vypínať, je nebezpečné a treba ho dať opraviť.
- c) **Skôr ako začnete náradie nastavovať alebo prestavovať, vymieňajte príslušenstvo alebo skôr, ako odložíte náradie, vždy vytiahnite zástrčku sieťovej šnúry zo zásuvky.** Toto bezpečnostné opatrenie zabraňuje neúmyselnému spusteniu náradia.
- d) **Nepoužívané ručné elektrické náradie uschovávajte mimo dosahu detí. Nedopusťte, aby ručné elektrické náradie používali osoby, ktoré s ním nie sú dôkladne oboznámené, alebo ktoré si neprečítali tento Návod na používanie.** Ak ručné elektrické náradie používajú neskúsené osoby, stáva sa nebezpečným nástrojom.
- e) **Elektrické náradie starostlivo ošetrte. Skontrolujte, či pohyblivé súčiastky náradia bezchybne fungujú a neblokujú a či nie sú zlomené alebo poškodené niektoré súčiastky, ktoré by mohli negatívne ovplyvniť fungovanie ručného elektrického náradia. Pred použitím ručného elektrického náradia dajte poškodené súčiastky opraviť.** Nejedyn úraz bol spôsobený zle udržiavaným náradím.
- f) **Používané nástroje udržiavajte ostré a čisté.** Starostlivo ošetrované nástroje s ostrými reznými hranami sa menej často zablokujú a ich vedenie je podstatne ľahšie.

- g) **Používajte ručné elektrické náradie, príslušenstvo, pracovné nástroje a pod. podľa týchto pokynov. Zohľadnite pritom konkrétne pracovné podmienky a činnosť, ktorú máte vykonať.** Používanie ručného elektrického náradia na iné ako určené účely môže viesť k nebezpečným situáciám.

## 5) SERVIS

- a) **Ručné elektrické náradie zverte do opravy len kvalifikovanému personálu a používajte len originálne náhradné súčiastky.** Tým sa zabezpečí zachovanie bezpečnosti ručného elektrického náradia.

## BEZPEČNOSTNÉ POKYNY PRE VŔTACIEKLADIVÁ

- **Používajte chrániče sluchu** (pôsobenie hluku môže mať za následok stratu sluchu)
- **Používajte prídavné rukoväte, ktoré Vám boli dodané s náradím** (strata kontroly nad náradím môže mať za následok poranenie)
- Zabráňte poškodeniu náradia skrutkami, klincami a inými kovovými predmetmi v obrobku; zoberte ich dole prv než začnete pracovať
- Elektrickú šnúru udržiavajte vždy mimo pohybujúcich sa častí nástroja
- **Zaistite obrábaný diel** (obrábaný diel uchytýny pomocou upínacích zariadení alebo vo zveráku je oveľa bezpečnejší kým v ruke)
- Skôr než nástroj položíte, presvedčte sa že je motor vypnutý a že sú všetky pohyblivé súčiastky zastavené
- Používajte úplne odmontanú a bezpečnú predlžovaciu šnúru s kapacitou 16 A
- V prípade elektrickej alebo mechanickej poruchy zastavte okamžite nástroj a vytiahnite zástrčku z nástennej zásuvky
- SKIL zabezpečí hladký chod nástroja len ak sa používa pôvodné príslušenstvo
- Používajte iba príslušenstvo, u ktorého hodnota prípustných obrátok zodpovedá minimálne najvyšším obrátkam náradia
- Tento nástroj by nemali používať osoby mladšie ako 16 rokov
- **Na vyhľadanie skrytých elektrických vedení, plynových a vodovodných potrubí použite vhodné hľadacie prístroje, alebo sa spojte s príslušným dodávateľom** (kontakt s elektrickým vedením môže mať za následok vznik požiaru alebo spôsobiť zásah elektrickým prúdom; poškodenie plynového potrubia môže spôsobiť výbuch; prevrtanie vodovodného potrubia spôsobí vecné škody, alebo môže spôsobiť zásah elektrickým prúdom)
- **Držte elektrické náradie len za izolované plochy rukoväti, ak vykonávate takú prácu, pri ktorej by mohli použiť pracovný nástroj natrafiť na skryté elektrické vedenia alebo zasiahnúť vlastnú prívodnú šnúru náradia** (kontakt s elektrickým vedením, ktoré je pod napätím, môže dostať pod napätie aj kovové súčiastky náradia a spôsobiť zásah elektrickým prúdom)
- **Neobrábajte materiál, ktorý obsahuje azbest** (azbest sa považuje za rakovinotvorný materiál)
- Prach z materiálu, akým je náter obsahujúci olovo, niektoré druhy dreva, minerály a kovy môže byť škodlivý (styk alebo nadýchanie prachu môže spôsobiť alergické reakcie a/alebo respiračné ochorenia obsluhu a

okolostojacich osôb); **používajte ochrannú masku tváre a pracujte so zariadením na odsávanie prachu, ak je takéto zariadenie možné pripojiť**

- Určité druhy prachu sú klasifikované ako karcinogénne (akým dubový a bukový prach), a to hlavne v spojení s prísadami pre úpravu dreva; **používajte ochrannú masku tváre a pracujte so zariadením na odsávanie prachu, ak je takéto zariadenie možné pripojiť**
- Dodržujte stanovené nariadenia pre prácu v prašnom prostredí
- Ak je sieťová šnúra poškodená alebo ak sa prereže počas prevádzky, nedotýkajte sa jej ale ju ihneď odpojte z hlavnej elektrickej siete
- Nikdy nepoužívajte nástroj ak je šnúra poškodená; šnúru musí vymeniť kvalifikovaná osoba
- Vždy skontrolujte či je napájacie napätie rovnaké ako napätie uvedené na štítku nástroja (nástroj s menovitým napätím 230V alebo 240V môžete pripojiť aj do siete s napätím 220V)
- Ak sa hrot vrtáka neočakávane vzpriechi (a spôsobí náhlu, neočakávanú reakciu), tak nástroj ihneď vypnite
- Uvedomte si veľkosť síl vyvolaných vzpričením, (zvlášť pri vrtaní kovov); **vždy použite pomocnú rukoväť G** ② a stojte bezpečne
- **Pri nastavovaní alebo výmene príslušenstva vždy vytiahnite prívodný kábel zo zásuvky**

## POUŽITIE

- Zapínanie/vypínanie ④
- Maximálne riadenie rýchlosti otáčok ⑤  
Pomocou kolieska B je možné nastaviť rýchlosť otáčok od nízkych po vysoké (1-6)
- Voľbu pracovného režimu ⑥
  - ! **voľte pracovný režim len keď je náradie vypnuté a zástrčka odpojená**
  - ak chcete odblokovať spínač D, stlačte tlačidlo C
  - najprv otočte prepínač D do požadovaného pracovného režimu, kým nezaklapne
  - potom otočte prepínač E do požadovaného pracovného režimu
    - 1 = normálne vrtanie/skrutkovanie
    - 2 = príklepové vrtanie
    - 3 = sekание
  - ! **zariadenie sa spustí len ak je spínač D zablokovaný**
  - na vrtanie do dreva, kovu a plastického materiálu ako aj na skrutkovanie by sa mal používať príslušný adaptér (pozrite Radu na použitie)
  - príklepový mechanizmus sa zapojí jemným pritlačením na nástroj keď sa vrták dotkne obrobku
  - na dosiahnutie plného výkonu príklepového mechanizmu je potrebný nejaký čas
  - na nástroj príliš netlačte; nechajte nástroj robiť prácu za Vás
- Ako vymeniť hroty ⑦
  - ! **pred vložením SDS+ príslušenstvo očistite a jemne natrite mazivom**
  - zatiahnite zamykaciu objímku F ② smerom dozadu a vložte príslušenstvo do SDS+ upínača otáčaním a zatlačením ho až kým zapadne dnu; príslušenstvo sa automaticky pevne napojí na miesto

- skontrolujte zatiahnutím či je príslušenstvo správne uzamknuté
- príslušenstvo vyberte zatiahnutím zamykacej objímky F smerom dozadu
- ! **príslušenstvo SDS+ sa musí voľne pohybovať a tým sa spôsobuje excentricita keď nie je nástroj zaťažený; napriek tomu sa príslušenstvo automaticky sústreďí do prostriedku počas prevádzky a presnosť vrtania sa tým neovplyvní**
- ! **nepoužívajte hroty/sekáče s poškodenou stopkou**
- Bezpečnostná spojka  
Preruší pohon vretena, ak sa príslušenstvo zasekne
  - ihneď nástroj vypnite
  - vyberte zaseknuté príslušenstvo
  - znovú nástroj zapnite
- Nastavenie hl'bký vrtania ⑧
- Držanie a vedenie nástroja ⑨
  - ! **počas práce vždy držte nástroj v oblasti sivého držadla(iel)**
  - **vždy použite pomocnú rukoväť G** ② (má sa nastaviť podľa obrázku)
  - vetracie štrbiny H ② udržiajte nezakryté

## RADU NA POUŽITIE

- Používajte vhodné hroty ⑩
  - ! **používajte len ostré hroty/sekáče**
- Na vrtanie do dreva, kovu a plastického materiálu ako aj na skrutkovanie by sa mal používať príslušný adaptér (SKIL príslušenstvo 2610395660) ⑪
  - adaptér pred namontovaním očistite a jemne natrite mazivom
  - zatiahnite zamykaciu objímku F ② smerom dozadu a vložte adaptér do SDS+ upínača otáčaním a zatlačením ho až kým zapadne dnu; adaptér sa automaticky pevne napojí na miesto
  - skontrolujte zatiahnutím či je príslušenstvo správne uzamknuté
  - nastavte vypínač D ② na normálne vrtanie (**prepnete len keď je náradie vypnuté a zástrčka odpojená**)
- Vrtanie železných kovov
  - keď je treba vyvrtáť väčšiu dieru, najskôr predvrtajte menšiu dieru
  - natrite vrtacie hroty z času na čas olejom
- Pri zaťahovaní skrutky v blízkosti rezu alebo na hrane dreva by sa mala predvrtáť diera, aby sa zabránilo prasknutiu dreva
- Vrtanie do dreva bez triesok ⑬
- Bezprachové vrtanie do tehál ⑭
- Bezprachové vrtanie do stropov ⑭
- Vrtanie do kachličiek bez šmykania ⑮
- Viac rád nájdete na [www.skil.com](http://www.skil.com)


## ÚDRŽBA / SERVIS

- Tento nástroj nie je vhodný pre profesionálne použitie
- Nikdy nástroj neotvárajte sami ⑯
- Nástroj a sieťovú šnúru udržiajte stále čistou (zvlášť vetracie štrbiny H ②)
  - ! **pred čistením odpojte z elektrickej siete**
- Ak by nástroj napriek starostlivej výrobe a kontrole predsa len prestal niekedy fungovať, treba dať opravu

vykonať autorizovanej servisnej opravovni elektrického náradia SKIL

- pošlite nástroj **bez rozmontovania** spolu s dôkazom o kúpe; vášmu dilerovi alebo do najbližšieho servisného strediska SKIL (zoznam adries servisných stredísk a servisný diagram nástroja sú uvedené na [www.skil.com](http://www.skil.com))

## ŽIVOTNÉ PROSTREDIE

- **Elektrické náradie, príslušenstvo a balenia nevyhadzujte do komunálneho odpadu** (len pre štáty EÚ)
  - podľa európskej smernice 2012/19/EG o nakladaní s použitými elektrickými a elektronickými zariadeniami a zodpovedajúcich ustanovení právnych predpisov jednotlivých krajín sa použité elektrické náradie musí zbierať oddelene od ostatného odpadu a podrobiť ekologicky šetrnej recyklácii
  - pripomenie vám to symbol , keď ju bude treba likvidovať

## VYHLÁSENIE O ZHODE CE

- Výhradne na našu vlastnú zodpovednosť prehlasujeme, že tento výrobok zodpovedá nasledujúcim normám alebo normovaným dokumentom: EN 60745, EN 61000, EN 55014, v súlade s predpismi 2004/108/EG, 2006/42/EG, 2011/65/EU
- **Súbor technickej dokumentácie sa nachádzajú na adrese:** SKIL Europe BV (PT-SEU/ENG1), 4825 BD Breda, NL

Marijn van der Hoofden  
Operations & Engineering

Olaf Dijkgraaf  
Approval Manager



SKIL Europe BV, 4825 BD Breda, NL  
09.12.2013

## HLUKU/VIBRÁCIÁCH

- Merané podľa EN 60745 je úroveň akustického tlaku tohto nástroja 95 dB(A) a úroveň akustického výkonu je 106 dB(A) (štandardná odchýlka: 3 dB), a vibrácie sú \*  $m/s^2$  (metóda ruka - paža; nepresnosť  $K = 1,5 m/s^2$ )
    - \* pri vŕtaní do betónu s príklepom 17,0  $m/s^2$
    - \* pri sekaní 16,0  $m/s^2$
  - Hladina emisií od vibrácií bola nameraná v súlade s normalizovaným testom uvedeným v norme EN 60745; môže sa používať na vzájomné porovnávanie náradí a na predbežné posúdenie vystavenia účinkom vibrácií pri používaní náradia pre uvedené aplikácie
    - používanie náradia na rôzne aplikácie, alebo v spojení s rôznymi alebo nedostatočne udržiavanými doplnkami môže značne **zvýšiť** úroveň vystavenia
    - časové doby počas ktorých je je náradie vypnuté alebo počas ktorých náradie beží ale v skutočnosti nevykonáva prácu môžu značne **znižiť** úroveň vystavenia
- ! chráňte sa pred účinkami vibrácií tak, že budete náradie a jeho príslušenstvo správne udržiavať,**

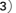
**tak že nebudete pracovať so studenými rukami a tak že si svoje pracovné postupy správne zorganizujete**

HR

## Bušáči čekič

1766

### UVOD

- Alat je predvídaný za udarno bušenje u betonu, zidu i kamenu, kao i za lakše radove s dljetom; za radove bušenja u drvo, metal i plastiku, kao i za radove uvijanja vijaka treba se primijeniti poseban pribor
- Kod radova bušenja u betonu, sustav udarnog bušenja u ovom uređaju daje znatno veći učinak nego bilo koja uobičajena udarna bušilica
- Alat je predvídan za primjenu u kombinaciji sa svim standardnim SDS+ dijelovima pribora
- Ovaj uređaj nije namijenjen profesionalnoj upotrebi
- Pažljivo pročitaite i sačuvajte ove upute za rukovanje 

### TEHNIČKI PODACI

\* ) Jačina pojedinačnih udaraca prema EPTA-Procedure 05/2009 -> vrijednost još nije dostupna

### DIJELOVI ALATA

- A** Prekidač za uključivanje-isključivanje
- B** Kotačić za kontrolu max. broja okretaja
- C** Gumb za otključavanje
- D** Prekidač za biranje načina rada
- E** Drugi prekidač za biranje načina rada
- F** Sigurnosni prsten
- G** Pomoćna drška
- H** Otvori za strujanje zraka
- J** Graničnik dubine bušenja

## SIGURNOST

### OPĆE UPUTE ZA SIGURAN RAD

**PAŽNJA!** Treba pročitati sve napomene o sigurnosti i upute. Ako se ne bi poštile napomene o sigurnosti i upute to bi moglo uzrokovati strujni udar, požar i/ili teške ozljede. **Sačuvajte sve napomene o sigurnosti i upute za buduću primjenu.** U daljnjem tekstu korišten pojam "električni alat" odnosi se na električne alate s priključkom na električnu mrežu (s mrežnim kabelom) i na električne alate s napajanjem iz aku baterije (bez mrežnog kabela).

#### 1) SIGURNOST NA RADNOM MJESTU

- a) Vaše radno područje održavajte čisto i uredno.**  
Nered ili neosvijetljeno radno područje mogu doći do nezgoda.
- b) S uređajem ne radite u okolini ugroženoj eksplozijom, u kojoj se nalaze zapaljive tekućine, plinovi ili prašina.** Električni alati proizvode iskre koje mogu zapaliti prašinu ili pare.
- c) Djecu i ostale osobe držite dalje tijekom korištenja električnog alata.** Ako bi skrenuli pozornost sa posla mogli bi izgubiti kontrolu nad uređajem.

## 2) ELEKTRIČNA SIGURNOST

- a) **Priključni utikač uređaja treba odgovarati utičnici. Na utikaču se ni u kojem slučaju ne smiju izvoditi izmjene. Ne koristite adapterske utikače zajedno sa uređajima koji su zaštićeni uzemljenjem.** Originalni utikač i odgovarajuće utičnice smanjuju opasnost od električnog udara.
- b) **Izbjegavajte dodir tijela s uzemljenim površinama kao što su cijevi, centralno grijanje, štednjaci i hladnjaci.** Postoji povećana opasnost od električnog udara ako je vaše tijelo uzemljeno.
- c) **Držite uređaj dalje od kiše ili vlage.** Prodiranje vode u električni uređaj povećava opasnost od električnog udara.
- d) **Priključni kabel ne koristite za nošenje, vješanje ili za izvlačenje utikača iz utičnice. Držite kabel dalje od izvora topline, ulja, oštih rubova ili pomičnih dijelova uređaja.** Oštećen ili usukan kabel povećava opasnost od električnog udara.
- e) **Ako s električnim uređajem radite na otvorenom, koristite samo produžni kabel odobren za uporabu na otvorenom.** Primjena produžnog kabela prikladnog za uporabu na otvorenom smanjuje opasnost od električnog udara.
- f) **Ako se ne može izbjeći uporaba električnog alata u vlažnoj okolini, upotrijebite sigurnosna sklopka za propuštanje u zemlju.** Upotrebom sigurnosne sklopke za propuštanje u zemlju smanjuje se opasnost od električnog udara.

## 3) SIGURNOST LJUDI

- a) **Budite oprezni, pazite što činite i postupajte razumno kod rada s električnim alatom. Ne koristite uređaj ako ste umorni ili pod utjecajem opojnih sredstava, alkohola ili lijekova.** Trenutak nepažnje kod uporabe uređaja može doći do ozbiljnih ozljeda.
- b) **Nosite sredstva osobne zaštite i uvijek zaštitne naočale.** Nošenje sredstava osobne zaštite, kao što je zaštitna maska, sigurnosne cipele koje ne klize, zaštitne kacige ili štitnika za sluh, ovisno od vrste i primjene električnog alata, smanjuje opasnost od nezgoda.
- c) **Izbjegavajte nehotično puštanje u rad. Prije nego što ćete utaknuti utikač u utičnicu i/ili staviti aku-bateriju, provjerite je li električni alat isključen.** Ako kod nošenja električnog alata imate prst na prekidaču ili se uključen uređaj priključni na električno napajanje, to može dovesti do nezgoda.
- d) **Prije nego što uređaj uključite, uklonite alate za podešavanje ili vijčane ključeve.** Alat ili ključ koji se nalazi u rotirajućem dijelu uređaja može doći do nezgoda.
- e) **Ne precjenjujte svoje sposobnosti. Zauzmite siguran i stabilan položaj tijela i držite u svakom trenutku ravnotežu.** Na taj način možete uređaj bolje kontrolirati u neočekivanim situacijama.
- f) **Nosite prikladnu odjeću. Ne nosite široku odjeću ili nakit. Neka vaša kosa, odjeća i rukavice budu što dalje od pomičnih dijelova.** Mlohava odjeća, nakit ili dugu kosu mogu zahvatiti pomični dijelovi uređaja.
- g) **Ako se mogu montirati naprave za usisavanje i hvatanje prašine, provjerite da li su iste priključene i da li se pravilno koriste.** Primjena naprave za usisavanje može smanjiti ugroženost od prašine.

## 4) BRIŽLJIVA UPORABA ELEKTRIČNIH ALATA

- a) **Ne preopterećujte uređaj. Koristite za vaše radove za to predviđen električni alat.** S odgovarajućim električnim alatom radit ćete bolje i sigurnije, u navedenom području učinka.
- b) **Ne koristite električni alat čiji je prekidač neispravan.** Električni alat koji se više ne može uključiti ili isključiti, opasan je i treba se popraviti.
- c) **Izvučite utikač iz mrežne utičnice i/ili izvadite aku-bateriju prije podešavanja uređaja, zamjene pribora ili odlaganja uređaja.** Ovim mjerama opreza spriječit će se nehotično pokretanje uređaja.
- d) **Nekoristene električne alate spremite izvan dosega djece. Ne dopustite da uređaj koriste osobe koje s njim nisu upoznate ili koje nisu pročitale upute za uporabu.** Električni alati su opasni ako ih koriste neiskusne osobe.
- e) **Uređaj održavajte s pažnjom. Kontrolirajte da li pomični dijelovi uređaja besprijekorno rade i da nisu zaglavljani, te da li su dijelovi polomljeni ili tako oštećeni da negativno djeluju na funkciju uređaja. Popravite oštećene dijelove prije uporabe uređaja.** Mnoge nezgode imaju svoj uzrok u loše održavanim uređajima.
- f) **Rezne alate održavajte ostrim i čistim.** Pažljivo održavani rezni alati s ostrim oštricama neće se zaglaviti i lakši su za vođenje.
- g) **Koristite električne alate, pribor, radne alate, itd., prema navedenim uputama. Pri tome uzmete u obzir radne uvjete i radove koje se izvode.** Uporaba električnih alata za neke druge primjene različite od predviđenih, može doći do opasnih situacija.

## 5) SERVIS

- a) **Popravlak uređaja prepustite samo kvalificiranom stručnom osoblju i samo s originalnim rezervnim dijelovima.** Na taj će se način postići održanje stalne sigurnosti uređaja.

## UPUTE ZA SIGURAN RAD ZA BUŠAČI ČEKIĆ

- **Nosite štitnike za sluh** (djelovanje buke može dovesti do gubitka sluha)
- **Koristite pomoćne ručke isporučene sa alatom** (gubitak kontrole nad alatom može uzrokovati ozljede)
- **Izbjegavajte oštećenja od vijaka, čavala i sličnih predmeta na vašem izratku; prije početka rada ih izvadite**
- **Kabel uvijek držati dalje od rotirajućih dijelova uređaja**
- **Osigurajte izradak** (izradak je sigurnije pričvršćen pomoću stezaljke ili škripa nego da ga držite rukom)
- **Čim se odmaknete od alata trebate ga isključiti, a pomični se dijelovi trebaju potpuno zaustaviti**
- **Upotrebljavajte samo neodmotane i zaštićene produžne kabele kapaciteta 16 ampera**
- **U slučaju neobičajenog ponašanja uređaja ili neobičnih šumova, uređaj treba odmah isključiti i izvući utikač iz mrežne utičnice**
- **SKIL može osigurati besprijekoran rad uređaja samo ako se koristi originalni pribor**
- **Upotrebljavajte pribor čija dopuštena brzina odgovara najvećoj brzini alata u praznom hodu**
- **Uređaj ne bi smjele koristiti osobe mlađe od 16 godina**
- **Koristite prikladne uređaje za traženje napona kako bi se pronašli skriveni napojni vodovi ili se savjetuje**



- **s lokalnim distributerom** (kontakt s električnim vodovima mogao bi doći do požara i električnog udara; oštećenje plinske cijevi moglo bi dovesti do eksplozije; probijanje vodovodne cijevi uzrokuje materijalne štete ili može uzrokovati električni udar)
- **Električni alat držite na izoliranim površinama zahvata, kada radite na mjestima gdje bi svrdlo moglo oštetiti skrivene električne kablove ili vlastiti priključni kabel** (kontakt sa vodom pod naponom može i metalne dijelove električnog alata staviti pod napon i dovesti do strujnog udara)
- **Ne obrađujte materijal koji sadrži azbest** (azbest se smatra kancerogenim)
- Prašina od materijala kao što su boje koje sadrže olovo, neke vrste drveća, minerali i metal mogu biti opasne (dodir s prašinom ili njeno udisanje mogu prouzročiti alergične reakcije i/ili respiratorna oboljenja rukovatelja ili posmatrača); **nosite masku za zaštitu od prašine i radite s uređajem za ekstrakciju prašine ukoliko ga možete priključiti**
- Određene vrste prašine klasificiraju se kao karcinogenske (kao što su prašina hrastovine i bukovine), osobito u sudejstvu s aditivima za kondicioniranje drveta; **nosite masku za zaštitu od prašine i radite s uređajem za ekstrakciju prašine ukoliko ga možete priključiti**
- Nacionalni uvjeti za materijale s kojima želite raditi
- Ako se tijekom rada priključni kabel ošteti ili odreže, ne dirati priključni kabel, nego odmah izvući mrežni utikač
- Nikad ne upotrebljavajte alat kad su kabel oštećeni; neka iz zamijeni kvalificirana osoba
- Uvijek provjerite je li napon napajanja isti kao onaj naveden na tipskoj pločici uređaja (uređaji označeni s 230V ili 240V mogu raditi i na 220V)
- U slučaju neočekivanog blokiranja svrdla (uz opasnu povratnu reakciju), uređaj treba odmah isključiti
- Treba obratiti pozornost na nastale sile kod blokiranja alata (posebno kod bušenja metala); **uvijek koristite pomoćnu ručku G ②** i zauzeti siguran i stabilan položaj tijela
- **Prije svih radova održavanja, podešavanja ili izmjene alata i pribora treba izvući utikač iz mrežne utičnice**

## POSLUŽIVANJE

- Uključivanje/isključivanje ④
- Kontrola max. broja okretaja ⑤
- Kotačićem B se maksimalni broj okretaja namješta od najmanjeg do najvećeg (1-6)
- Biranje načina rada ⑥
- **! način rada birati samo kad je alat isključen i ako je izvučen mrežni utikač**
  - pritisnite gumb C da biste otključali prekidač D
  - prvo okrećite prekidač D u željeni način rada dok se ne zaustavi i blokira
  - zatim okrećite prekidač E u željeni način rada
    - 1 = normalno bušenje/odvijanje
    - 2 = udarno bušenje
    - 3 = djelanje
- **! započnite s radom samo kada je prekidač D zaključan**

- kod radova bušenja drva, metala i plastike, kao i za radove uvijanja vijaka, mora se primijeniti odgovarajući adapter (vidjeti: Savjeti za primjenu)
- mehanika čekića se aktivira primjenom manjeg pritiska na uređaj, kada umetak za bušenje dođe u dodir s izratkom
- postizanje pune udarne snage mehanike čekića traje kratko vrijeme
- ne djelujte prevelikim pritiskom na uređaj; ostavite uređaju da radi za vas
- Zamjena nastavaka ⑦
- **! prije umetanja SDS+ alat očistite i neznatno ga namažite**
  - povucite sigurnosni prsten F ② natrag i umetnite alat u SDS+ steznu glavu, uz okretanje, dok nesprekoči; alat će automatski uskočiti u njegov položaj
  - povucite za alat kako bi provjerili da li je propisno osiguran
  - izvucite alat potezanjem natrag sigurnosni prsten F
- **! SDS+ alat mora se moći nesmetano pomicati; to dovodi do ekscentričnih gibanja ako je uređaj neopterećen; alat, se međutim automatski centrira tijekom rada, bez da to utječe na točnost bušenja**
- **! ne koristite nastavke/dijelata s oštećenom drškom**
- Sigurnosna spojka
  - Ukoliko je pribor blokiran, prekinut će se pogon vretena
    - uređaj odmah isključiti
    - izvaditi blokiran alat
    - uređaj ponovno uključiti
- Namještanje dubine bušenja ⑧
- Držanje i vođenje uređaja ⑨
- **! alat kod primjene, držati samo na sivo označenim područjima**
  - **uvijek koristite pomoćnu ručku G ②** (može se podesiti kako je prikazano)
  - otvore za strujanje zraka H ② držite nepokriveno

## SAVJETI ZA PRIMJENU

- Treba koristiti odgovarajuće bitove ⑩
- **! koriste se samo oštri bitovi/dijelata**
- Za radove bušenja u drvu, metalu i plastici, kao i za radove uvijanja vijaka primijenite odgovarajući adapter (SKIL pribor 2610395660) ⑪
  - prije umetanja adapter očistite i neznatno ga namažite
  - sigurnosni prsten F ② povucite natrag i umetnite adapter u SDS+ steznu glavu, uz okretanje i umetanje, sve dok ne preskoči; adapter će automatski preskočiti u njegov položaj
  - povucite za adapter, kako bi provjerili da li propisno osiguran
  - prekidač D ② prebacite u položaj normalnog bušenja (**pritisnuti samo kad je alat isključen i ako je izvučen mrežni utikač**)
- Kod bušenja metala
  - predbušiti manju rupu ako se buši velika rupa
  - nastavke po potrebi namazati uljem
- Kod uvijanja vijka na prednjem ili stražnjem dijelu nekog izratka od drva, treba se prethodno izbušiti rupa, kako bi se izbjeglo kаланje drva
- Bušenje u drvo bez stvaranja iveraka ⑫
- Bušenje u zid bez stvaranja prašine ⑬

- Bušenje u strop bez stvaranja prašine <sup>14</sup>
- Bušenje keramičkih pločica bez klizanja vrha svrdla <sup>15</sup>
- Dodatne savjete možete naći na adresi [www.skil.com](http://www.skil.com)

## ODRŽAVANJE / SERVISIRANJE

- Ovaj uređaj nije namijenjen profesionalnoj upotrebi
- Uređaj nikada sami ne otvarajte <sup>16</sup>
- Održavajte čistim uređaj i kabel (osobito otvore za hlađenje H <sup>2</sup>)
- ! **prije čišćenja treba izvući mrežni utikač**
- Ako bi uređaj unatoč brižljivih postupaka izrade i ispitivanja ipak prestao raditi, popravak treba prepustiti ovlaštenom servisu za SKIL električne alate
  - uređaj treba **nerastavljeno** predati, zajedno s računom o kupnji u najbližu SKIL ugovornu servisnu radionicu (popise servisa, kao i oznake rezervnih dijelova uređaja možete naći na adresi [www.skil.com](http://www.skil.com))

## ZAŠTITA OKOLIŠA

- **Električne alate, pribor i ambalažu ne bacajte u kućni otpad** (samo za EU-države)
  - prema Europskoj direktivi 2012/19/EG o staroj električnoj i elektroničkoj opremi i njenoj primjeni u skladu sa nacionalnim zakonom, istrošeni električni alati moraju se sakupljati odvojeno i odvesti u posebne pogone za reciklažu
  - na to podsjeća simbol <sup>17</sup> kada se javi potreba za odlaganjem

## DEKLARACIJA O SUKLADNOSTI Ć

- Izjavljujemo uz punu odgovornost da je ovaj proizvod usklađen sa sljedećim normama i normativnim dokumentima: EN 60745, EN 61000, EN 55014, prema odredbama smjernica 2004/108/EG, 2006/42/EG, 2011/65/EU
- **Tehnička dokumentacija se može dobiti kod:** SKIL Europe BV (PT-SEU/ENG1), 4825 BD Breda, NL

Marijn van der Hoofden  
Operations & Engineering

Olaf Dijkgraaf  
Approval Manager

SKIL Europe BV, 4825 BD Breda, NL

09.12.2013

## BUCI/VIBRACIJAMA

- Mjereno prema EN 60745 prag zvučnog tlaka ovog električnog alata iznosi 95 dB(A) a jakost zvuka 106 dB(A) (standardna devijacija: 3 dB), a vibracija \* m/s<sup>2</sup> (postupkom na šaci-ruci; nesigurnost K = 1,5, m/s<sup>2</sup>)
  - \* kod udarnog bušenja u betonu 17,0 m/s<sup>2</sup>
  - \* kod diljetanja 16,0 m/s<sup>2</sup>
- Razina emitiranja vibracija izmjerena je sukladno normiranom testu danom u EN 60745; ona se može koristiti za usporedbu jedne alatke s drugom, te preliminarnu procjenu izloženosti vibracijama pri uporabi alatke za navedene namjene

- uporaba ove alatke za druge namjene ili s drugim ili slabo održanim nastavcima, može u značajnoj mjeri **uvećati** razinu izloženosti
- vrijeme tokom kojega je alatka isključena, ili je uključena ali se njome ne radi, može značajno **umanjiti** razinu izloženosti
- ! **zaštitite se od posljedica vibracija održavanjem alatke i njezinih nastavaka, održavanjem Vaših ruku toplima, te organiziranjem Vaših obrazaca rada**

**SRB**

## Bušilica čekić

1766

## UPUTSTVO

- Ovaj alat je namenjen bušenju u betonu, cigli i kamenu kao i blago klesanju; bušenju u drvetu, metalu i plastici kao i uvrtnju uz pomoć specifičnog pribora
- Sistem udarnog bušenja koji ovaj alat poseduje omogućava prevazilaženje tradicionalnog mukotrpnog bušenja u betonu
- Ovaj alat podržava upotrebu svih standardnih SDS+ pribora
- Ovaj alat nije namenjen za profesionalnu upotrebu
- Pažljivo pročitajte i sačuvajte ova uputstva za rukovanje <sup>3</sup>

## TEHNIČKI PODACI <sup>1</sup>

\* ) Jačina pojedinačnog udarca odgovara EPTA-Procedure 05/2009 -> vrednost još nije dostupna

## ELEMENTI ALATA <sup>2</sup>

- A** On/off prekidač
- B** Točak za kontrolu maksimalne brzine
- C** Dugme za otključavanje
- D** Prekidač za biranje režima rada
- E** Drugi prekidač za biranje režima rada
- F** Stezna glava
- G** Pomoćna ručica
- H** Prorezi za hlađenje
- J** Merač dubine

## SIGURNOST

### OPŠTA UPUTSTVA O SIGURNOSTI

**PAŽNJA!** Čitajte sva upozorenja i uputstva. Propusti kod pridržavanja upozorenja i uputstava mogu imati za posledicu električni udar, požar i/ili teške povrede. **Čuvajte sva upozorenja i uputstva za budućnost.** Pojam upotrebljen u upozorenjima "električni alat" odnosi se na električne alate sa radom na mreži (sa mrežnim kablom) i na električne alate sa radom na akumulator (bez mrežnog kabla).

### 1) SIGURNOST NA RADNOM MESTU

- a) **Držite Vaše područje rada čisto i pospremljeno.** Nered ili neosvetljena radna područja mogu voditi nesrećama.

b) **Ne radite sa aparatom u okolini ugroženoj od eksplozija u kojoj se nalaze zapaljive tečnosti, gasovi ili prašine.** Električni alati proizvode varnice, koje mogu zapaliti prašinu ili isparenja.

c) **Za vreme korišćenja električnog alata držite podalje decu i druge osobe.** Kod skretanja možete izgubiti kontrolu nad aparatom.

## 2) ELEKTRIČNA SIGURNOST

a) **Utikač za priključak aparata mora odgovarati utičnoj kutiji. Utikač se nesme nikako menjati. Ne upotrebljavajte adaptere utikača zajedno sa aparatima sa uzemljenom zaštitom.** Ne promenjeni utikači i odgovarajuće utičnice smanjuju rizik od električnog udara.

b) **Izbegavajte telesni kontakt sa uzemljenim gornjim površinama, kao što su cevi, grejanja, šporeti i rashladni ormani.** Postoji povećani rizik od električnog udara, ako je Vaše telo uzemljeno.

c) **Držite aparat podalje od kiše ili vlage.** Prodiranje vode u električni aparat povećava rizik od električnog udara.

d) **Ne koristite kabl da bi aparat nosili, obesili ili ga izvlačili iz utičnice. Držite kabl dalje od vreline, ulja, oštih ivica ili pokretnih delova aparata.** Oštećeni ili zamršeni kablovi povećavaju rizik od električnog udara.

e) **Ako sa nekim električnim alatom radite u prirodi, upotrebljavajte samo produžne kablove koji su dozvoljeni za spoljno područje.** Upotreba produžnog kabla pogodnog za spoljno područje smanjuje rizik od električnog udara.

f) **Ako rad električnog alata ne može da se izbegne u vlažnoj okolini, koristite prekidač strujne zaštite pri kvaru.** Upotreba prekidača strujne zaštite pri kvaru smanjuje rizik od električnog udara.

## 3) SIGURNOST OSOBA

a) **Budite pažljivi, pazite na to, šta radite i idite razumno na posao sa električnim alatom. Ne upotrebljavajte aparat, kada ste umorni ili pod uticajem droga, alkohola ili lekova.** Momenat nepažnje kod upotrebe aparata može voditi do ozbiljnih povreda.

b) **Nosite ličnu zaštitnu opremu i uvek zaštitne naočare.** Nošenje lične zaštitne opreme, kao maske za prašinu, sigurnosne cipele koje ne klizaju, zaštitni šlem ili zaštitu za sluh, zavisno od vrste i upotrebe električnog alata, smanjujete rizik od povreda.

c) **Izbegavajte nenamerno puštanje u rad. Uverite se da je električni alat isključen, pre nego što ga priključite na struju i/ili na akumulator, uzmete ga ili nosite.** Ako prilikom nošenja električnog alata držite prst na prekidaču ili aparat uključen priključujete na struju, može ovo voditi nesrećama.

d) **Uklonite alate za podešavanje ili ključeve za zavrtnje, pre nego što uključite aparat.** Alat ili ključ koji se nalazi u delu aparata koji se okreće, može voditi povredama.

e) **Ne preценjujte sebe. Pobrinite se da sigurno stojite i održavajte u svako doba ravnotežu.** Na taj način možete bolje kontrolisati aparat u neočekivanim situacijama.

f) **Nosite pogodno odelo. Ne nosite široko odelo ili nakit. Držite kosu, odelo i rukavice podalje od**

**pokretnih delova.** Opušteno odelo, nakit ili duža kosa mogu biti zahvaćeni od rotirajućih delova.

g) **Ako se mogu montirati uređaji za usisavanje prašine i uređaji za hvatanje prašine, uverite se da li su priključeni i ispravno koristite.** Upotreba usisavanja prašine može smanjiti opasnosti od prašine.

## 4) BRIŽLJIVO OPHODNENJE I KORIŠĆENJE ELEKTRIČNIH ALATA

a) **Ne preopterećujte aparat. Upotrebljavajte za Vaš posao električni alat odredjen za to.** Sa odgovarajućim električnim alatom radićete bolje i sigurnije u navedenom području rada.

b) **Ne upotrebljavajte električni alat, čiji je prekidač u kvaru.** Električni alat koji više ne može da se uključi ili isključi je opasan i mora da se popravi.

c) **Izvcite utikač iz utičnice i/ili uklonite akumulator pre nego što preduzmete podešavanja na aparatu, promenu delova pribora ili ostavite aparat.** Ova mera opreza sprečava nenamernan start aparata.

d) **Čuvajte nekorišćene električne alate izvan domašaja dece. Ne dopustite osobama da koriste aparat, koje ga ne poznaju ili nisu pročitale ova uputstva.** Električni alati su opasni, ako ih koriste neiskusne osobe.

e) **Održavajte aparat brižljivo. Kontrolišite, da li pokretni delovi aparata funkcionišu besprekorno i ne slepljuju, da li su delovi slomljeni ili tako oštećeni, da je funkcija aparata oštećena. Popravite oštećene delove pre upotrebe aparata.** Mnoge nesreće imaju svoj uzrok u loše održanim električnim alatima.

f) **Držite alate za sećenja oštre i čiste.** Brižljivo negovani alati za sećenje sa oštrim sećivima manje slepljuju i lakše se vode.

g) **Upotrebljavajte električne alate, pribor, alate koji se umeću itd. prema ovim uputstvima. Obratite pažnju pritom na uputstva za rad i posao koji treba izvesti.** Upotreba električnih alata za druge od propisanih namena može voditi opasnim situacijama.

## 5) SERVIS

a) **Neka Vam Vaš aparat popravlja samo kvalifikovano stručno osoblje i samo sa originalnim rezervnim delovima.** Na taj način se obezbeđuje da ostane sačuvana sigurnost aparata.

## SIGURNOSNA UPUTSTVA ZA UDARNE BUŠILICE

- **Nosite zaštitu za sluh** (uticaj galame može uticati na gubitak sluha)
- **Koristite sa uređajem isporučene dodatne ručke** (gubitak kontrole može uticati na povrede)
- Izbegavajte oštećenja od šrafova, eksera i drugih predmeta na vašem području rada; uklonite ih pre nego što započnete rad
- Kabl uvek držite podalje od pokretnih delova alata
- **Obezbedite radni predmet** (radni predmet stegnut pomoću stega ili nečeg sličnog je mnogo stabilniji nego kada se drži rukom)
- Kada završite rad sa alatom, isključite motor i proverite da li su se zaustavili svi pokretni delovi
- Produžni kabl koji koristite mora da bude sasvim odmotan i siguran, sa kapacitetom od 16 A
- U slučaju da dođe do električnog ili mehaničkog kvara, odmah isključite alat i iskopčajte ga iz utičnice

- SKIL može priznati garanciju samo ukoliko je korišćen originalni pribor
- Koristite samo pribor čija je dozvoljena brzina u najmanju ruku jednaka najvećoj brzini pri praznom hodu električnog alata
- Ovaj alat ne treba da koriste osobe ispod 16 godina
- **Koristite odgovarajuće aparate za proveru dali se u zidu koji bušimo nalaze skrivene instalacije, ili za taj posao nađite odgovarajuće preduzeće** (kontakt sa električnim vodovima može izazvati požar ili električni udar; oštećenje gasovoda može izazvati eksploziju; probijanje cevi sa vodom uzrokuje štete ili može izazvati električni udar)
- **Držite električni alat za izolovane hvataljke kada izvodite radove kod kojih upotrebljeni alat može da susretne skrivene vodove struje ili vlastiti mrežni kabl** (kontakt sa jednim vodom koji sprovodi struju može da stavi pod napon metalne delove uređaja i da utiče na električni udar)
- **Ne obrađujte nikakav materijal koji sadrži azbest** (azbest važi kao izazivač raka)
- Prašina od materijala, kao što su boja koja sadrži olovo, neke vrste drveta, minerali i metal, može biti opasna (dodir ili udisanje prašine može prouzrokovati alergijske reakcije i/ili respiratorna oboljenja rukavoca i lica u blizini); **nosite masku protiv prašine i radite uz uključeni uređaj za ekstrakciju prašine kada radite na mestima gde ju je moguće priključiti**
- Određene vrste prašine su klasifikovane kao kancerogene (kao što su prašina hrastovine i bukovine), posebno u sadejstvu sa aditivima za pripremu drveta; **nosite masku protiv prašine i radite uz uključeni uređaj za ekstrakciju prašine kada radite na mestima gde ju je moguće priključiti**
- Prati nacionalne propise vezane za prašinu koja se proizvodi prilikom rada na obrađivanim materijalima
- Ako se kabl ošteti ili preseče u toku rada, odmah ga iskopčajte i nemojte ga dodirivati
- Nikada nemojte da koristite alat ako je kabl oštećen; zamenu kabla mora da obavi stručno lice
- Uvek se уверite da je napon struje isti kao i napon naveden na pločici sa nazivom alatu (alati na kojima je naveden napon od 230V ili 240V mogu da rade i na 220V)
- U slučaju iznenadne blokade burgije stvaranja povratnih sila pri alatu, alat odmah treba isključiti
- Obratite pažnju na nastale sile pri alatu tokom blokade (posebno pri bušenju metala); **alat uvek držati samo za bočnu dršku G ②** i zauzeti siguran stav
- **Obavezno iskopčajte alat iz električne utičnice pre nego što izvršite bilo kakva podešavanja ili zamenu pribora**

## UPUTSTVO ZA KORIŠĆENJE

- Uključivanje/isključivanje ④
- Kontrola maksimalne brzine ⑤  
Točkom B možete podesiti maksimalnu brzinu od niskog do visokog stepena (1-6)
- Podešavanje radnog režima ⑥  
**! podešavanje radnog režima se vrši samo kada je alatka isključena i utikač iskopčan**
- pritisnite dugme C da biste otključali prekidač D

- prvo podesite prekidač D na željeni režim rada dok ne klikne u položaj
- zatim podesite prekidač E na željeni režim rada  
1 = normalno bušenje/uvrtanje  
2 = udarno bušenje  
3 = rad sa dletom

### **! počnite sa radom samo ako je prekidač D zaključan**

- prilikom bušenja u drvetu, metalu i plastici kao i uvrtanju upotrebljavajte odgovarajući adapter (pogledajte: Saveti za primenu)
- mehanizam udarnog bušenja se aktivira blagim pritiskom alata dok se bits nalazi u dodiru sa materijalom za obradu
- da bi mehanizam sa čekićem dostigao svoju punu udarnu snagu, potrebno je kraće vreme
- ne pritiskati alat previše, pustite da alat sam radi
- Izmena bitseva ⑦

### **! očistite i namažite SDS+ pribor uljem pre njegovog ubacivanja**

- povucite steznu glavu F ② u nazad i ubacite pribor u SDS+ glavu, okrećite je i gurajte pribor dok ga ne zategnete; pribor se automatski sam zategne
- povucite pribor da bi proverili da li je čvrsto zategnut
- izvadite pribor tako što ćete povući u nazad steznu glavu F

### **! SDS+ glava zahteva neograničenu slobodu pokreta, koja prouzrokuje ekscentričan rad alata u praznom hodu; u toku rada se ona sama centrira; ovo nema uticaja na preciznost bušenja otvora**

### **! nemojte upotrebljavati oštećene bitseve/dleta**

- Sigurnosni mehanizam  
Prilikom blokade pribora, prekida se i rad vretena
  - odmah isključite alat
  - skinite blokirani pribor
  - ponovo uključite alat
- Podešavanje dubine bušenja ⑧
- Držanje i upravljanje alata ⑨  
**! dok radite, uvek držite alat za mesto(a) koje(a) su označena sivom bojom**
- **alat uvek držati samo za bočnu dršku G ②** (može se podešavati kao na crtežu)
- prezezi za hlađenje H ② moraju da budu otvoreni

## SAVETI ZA PRIMENU

- Koristiti odgovarajuće bitseve ⑩  
**! upotrebljavajte samo oštre bitseve/dleta**
- Prilikom bušenja u drvetu, metalu i plastici kao i uvrtanju upotrebljavajte odgovarajući pribor (SKIL pribor 2610395660) ⑪
  - očistite i namažite pribor uljem pre njegovog ubacivanja
  - povucite steznu glavu F ② u nazad i ubacite pribor u SDS+ glavu, okrećite je i gurajte pribor dok ga ne zategnete; pribor se automatski sam zategne
  - povucite pribor da bi proverili da li je čvrsto zategnut
  - podesite prekidač D ② za normalno bušenje (**podešavanje se vrši samo kada je alatka isključena i utikač iskopčan**)
- Pri bušenju metala
  - prvo izbušiti malu rupu ako Vam je potrebna veća rupa

- bitseve povremeno namazati uljem
- Pri uvrtnanju šrafova na krajevima drveta prvo treba izbušiti malu rupu da bi se izbeglo listanje drveta
- Bušenje drveta bez listanja 12
- Bušenje zidova bez prašine 13
- Bušenje plafona bez prašine 14
- Bušenje pločica bez proklizavanja 15
- Za više saveta pogledajte www.skil.com

## ODRŽAVANJE / SERVIS

- Ovaj alat nije namenjen za profesionalnu upotrebu
- Alat nikada ne otvarajte sami 16
- Alat i kabl uvek održavajte čistim (posebno otvore za hlađenje H 2)
- ! **pre čišćenja iskopčajte kabl iz utičnice**
- Ako bi alat i pored brižljivog postupka izrade i kontrole nekada otkazao, popravku mora vršiti neki autorizovani servis za SKIL-električne alate
  - pošaljite **nerastavljeni** alat zajedno sa potvrdom o kupovini vašem nabavljaču ili najbližem SKIL servisu (adrese i oznake rezervnih delova možete naći na www.skil.com)

## ZAŠTITA OKOLINE

- **Električne alate, pribora i ambalaže ne odlažite u kućne otpatke** (samo za EU-države)
  - prema Europskoj direktivi 2012/19/EG o staroj električnoj i elektronskoj opremi i njenoj upotrebi u skladu sa nacionalnim pravom, električni alati koji su istrošeni moraju biti sakupljeni odvojeno i dostavljeni pogonu za reciklažu
  - simbol 17 će vas podsetiti na to

## DEKLARACIJA O USKLAĐENOSTI CE

- Pod punom odgovornošću izjavljujemo da je ovaj proizvod usklađen sa sledećim standardima ili standardizovanim dokumentima: EN 60745, EN 61000, EN 55014, u skladu sa odredbama smernica 2004/108/EG, 2006/42/EG, 2011/65/EU
- **Tehnička dokumentacija kod:** SKIL Europe BV (PT-SEU/ENG1), 4825 BD Breda, NL

Marijn van der Hoofden  
Operations & Engineering

Olaf Dijkgraaf  
Approval Manager




SKIL Europe BV, 4825 BD Breda, NL

09.12.2013

## BUKA/VIBRACIJE

- Mereno u skladu sa EN 60745 nivo pritiska zvuka ovog alata iznosi 95 dB(A) a jačina zvuka 106 dB(A) (normalno odstupanje: 3 dB), a vibracija \* m/s<sup>2</sup> (mereno metodom na šaci-ruci; nesigurnost K = 1,5 m/s<sup>2</sup>)
  - \* pri udarnom bušenju betona 17,0 m/s<sup>2</sup>
  - \* pri klesanju 16,0 m/s<sup>2</sup>

- Nivo emisije vibracija izmeren je u skladu sa standardizovanim testom datim u EN 60745; on se može koristiti za upoređenje jedne alatke sa drugom, kao i za preliminarnu procenu izloženosti vibracijama pri korišćenju ove alatke za pomenute namene
  - korišćenje alatke u drugačije svrhe ili sa drugačijim ili slabo održavanim nastavcima može značajno **povećati** nivo izloženosti
  - vreme kada je alatka isključena ili kada je uključena, ali se njome ne radi, može značajno  **smanjiti** nivo izloženosti
- ! **zaštite se od posledica vibracija održavanjem alatke i njenih nastavaka, održavajući Vaše ruke toplim i organizovanjem Vaših radnih obrazaca**

SLO

## Vrtalno kladivo

1766

## UVOD

- To orodje je namenjeno za udarno vrtnanje u beton, opeko, kamnine in za lažja dletenja; z dodatnim priborom je namenjeno tudi vrtnanju u les, kovino, keramiko in plastiko, uporabljiv je tudi za vijačenje
- Poseben udarni sistem orodja deluje učinkoviteje od klasičnega vibracijskega vrtnanja u beton
- To orodje je konstruirano za uporabo standardnega SDS+ pribora
- Orodje ni namenjeno profesionalni uporabi
- Preberite in shranite navodila za uporabo 3

## LASTNOSTI 1

\*) Jakost posameznega udarca u skladu z EPTA-Procedure 05/2009 -> vrednosti še ni na voljo

## DELI ORODJA 2

- A** Vklpno/izklopno stikalo
- B** Kolo za nastavitve maksimalne hitrosti
- C** Gumb za sprostitve stikala
- D** Stikalo za izbiro načina delovanja
- E** Drugo stikalo za izbiro načina delovanja
- F** Zapiralo glave
- G** Pomožna ročka
- H** Ventilacijske reže
- J** Merilnik globine

## VARNOST

### SPLOŠNA VARNOSTNA NAVODILA

**! OPOZORILO! Preberite vsa opozorila in napolita.**

Napake zaradi neupoštevanja spodaj navedenih opozoril in napolit lahko povzročijo električni udar, požar in/ali težke telesne poškodbe. **Vsa opozorila in napolita shranite, ker jih boste v prihodnje še potrebovali.** Pojem "električno orodje", ki se pojavlja v nadaljnjem besedilu, se nanaša na električna orodja z električnim pogonom (z električnim kablom) in na akumulatorska električna orodja (brez električnega kabla).

## 1) VARNOST NA DELOVNEM MESTU

- a) **Poskrbite, da bo Vaše delovno mesto vedno čisto in urejeno.** Nered ali neosvetljena delovna področja lahko povzročijo nezgode.
- b) **Prosimo, da orodja ne uporabljate v okolju, kjer je nevarnost za eksplozije in v katerem se nahajajo gorljive tekočine, plini in prah.** Električna orodja povzročajo iskre, zato se gorljivi prah ali pare lahko vnamejo.
- c) **Ne dovolite otrokom in drugim osebam, da bi se medtem ko delate, približali električnemu orodju.** Druge osebe lahko odvrnejo Vašo pozornost drugim in izgubili boste nadzor nad orodje.

## 2) ELEKTRIČNA VARNOST

- a) **Vtič mora ustrezati električni vtičnici in ga pod nobenim pogojem ne smete spreminjati. Uporaba adapterskih vtičev v kombinaciji z ozemljena orodja ni dovoljena.** Originalni oziroma nespremenjeni vtiči in ustrezne vtičnice zmanjšujejo tveganje električnega udara.
- b) **Izogibajte se telesnemu stiku z ozemljenimi površinami, na primer s cevmi, grelci, štedilniki in hladilniki.** Če je ozemljeno tudi vaše telo, obstaja povečano tveganje električnega udara.
- c) **Zavarujte orodje pred dežjem ali vlago.** Vdor vode v električno orodje povečuje tveganje električnega udara.
- d) **Električnega kabla ne uporabljajte za prenašanje ali obešanje orodja in ne vlecite vtič iz vtičnice tako, da vlečete za kabel. Zavarujte kabel pred vročino, oljem, ostrimi robovi in premikajočimi se deli orodja.** Poškodovani ali prepleteni kabli povečujejo tveganje električnega udara.
- e) **Če z električnim orodjem delate na prostem, uporabljajte izključno kabelski podaljšek, ki je atestiran za delo na prostem.** Uporaba kabelskega podaljška, primernega za delo na prostem, zmanjšuje tveganje električnega udara.
- f) **Če je uporaba električnega orodja v vlažnem okolju neizogibna, uporabljajte prekinjevalec električnega tokokroga.** Prekinjevalec električnega tokokroga zmanjšuje tveganje električnega udara.

## 3) OSEBNA VARNOST

- a) **Bodite zbrani in pazite, kaj delate. Dela z električnim orodjem se lotite razumno. Nikoli ne uporabljajte orodja, če ste utrujeni in če ste pod vplivom mamil, alkohola ali zdravil.** En sam trenutek nepazljivosti pri uporabi orodja ima lahko za posledico resne telesne poškodbe.
- b) **Uporabljajte osebna zaščitna sredstva in vedno nosite zaščitna očala.** Uporaba osebnih zaščitnih sredstev, na primer maske proti prahu, nedrsečih zaščitnih čevljev, zaščitne čelade in glušnikov, odvisno od vrste in uporabe električnega orodja, zmanjšuje tveganje telesnih poškodb.
- c) **Izogibajte se nenamernemu zagonu. Pred priključitvijo električnega orodja na električno omrežje in/ali na akumulator in pred dviganjem ali nošenjem se prepričajte, če je električno orodje izklopljeno.** Prenašanje naprave s prstom na stikalo ali priključitev vklopljenega električnega orodja na električno omrežje je lahko vzrok za nezgodo.

- d) **Pred vklopom orodja odstranite z nje nastavitvena orodja ali vijaki ključ.** Orodje ali ključ, ki se nahajata na vrtečem se delu električnega orodja, lahko povzročita nezgodo.
  - e) **Ne prenehanje se in poskrbite za varno stojišče in stalno ravnotežje.** Tako boste lahko v nepričakovani situaciji bolje obvladali orodje.
  - f) **Nosite primerno obleko, ki naj ne bo preohlapna. Ne nosite nakita. Lasje, oblačilo in rokavice naj se ne približujejo premikajočim se delom orodja.** Premikajoči se deli orodja lahko zgrabijo ohlapno obleko, nakit, ali dolge lase.
  - g) **Če je možno na orodje namestiti priprave za odsesavanje in prestrejanje prahu, prepričajte se, ali so le-te priključene in, če jih pravilno uporabljate.** Uporaba priprave za odsesavanje prahu zmanjšuje zdravstveno ogroženost zaradi prahu.
- ## 4) RAVNANJE IN NEGA ROČNEGA ORODJA
- a) **Ne preobremenjujte orodja. Za določeno delo uporabljajte električno orodje, ki je predvideno za opravljanje tega dela.** Z ustreznim električnim orodjem boste delo opravili bolje in varneje, ker je bilo v ta namen tudi konstruirano.
  - b) **Električno orodje, ki ima pokvarjeno stikalo, ne uporabljajte.** Električno orodje, ki ga ni možno vklopiti ali izklopiti, je nevarno in ga je potrebno popraviti.
  - c) **Pred nastavljanjem naprave, zamenjavo delov pribora ali odlaganjem naprave izvlecite vtič iz električne vtičnice in/ali odstranite akumulator.** Ta previdnostni ukrep onemogoča nepredviden zagon orodja.
  - d) **Kadar orodja ne uporabljate ga shranjujte izven dosega otrok. Osebam, ki orodja ne poznajo ali niso prebrale teh navodil, orodja ne dovolite uporabljati.** Električna orodja so nevarna, če jih uporabljajo neizkušene osebe.
  - e) **Skrbno negujte orodje. Preverite, če premikajoči se deli orodja delujejo brezhibno in če se ne zatikajo, oziroma, če kakšen del orodja ni zlomljen ali poškodovan do te mere, da bi oviral njegovo delovanje. Pred nadaljnjo uporabo je potrebno poškodovani del popraviti.** Vzrok za številne nezgode so ravno slabo vzdrževana električna orodja.
  - f) **Rezalna orodja naj bodo ostra in čista.** Skrbno negovana rezalna orodja z ostrimi rezili se manj zatikajo in so bolj vodljiva.
  - g) **Električna orodja, pribor, nastavke in podobno uporabljajte v skladu s temi navodili. Pri tem upoštevajte delovne pogoje in vrsto dela, ki ga nameravate opraviti.** Zaradi uporabe električnega orodja v druge, nepredvidene namene, lahko nastanejo nevarne situacije.

## 5) SERVIS

- a) **Popravilo orodja lahko opravi samo usposobljena strokovna oseba in to izključno z originalnimi nadomestnimi deli.** Le tako bo ohranjena nadaljnja varnost orodja.

## VARNOSTNA NAVODILA ZA KLADIVA

- **Nosite zaščitne glušnike** (vpliv hrupa lahko povzroči izgubo sluha)
- **Uporabljajte dodatne ročaje, ki so priložene orodju** (izguba nadzora nad napravo lahko povzroči poškodbe)

- Izogibajte se poškodb zaradi vijakov, žebeljev ali drugih elementov v obdelovancu; odstranite jih pred začetkom dela
- Kabel naj bo vedno odmaknjen od gibljivih delov stroja
- **Zavarujte obdelovanec** (obdelovanec stisnjen v prižemi ali primežu je bolj varen kot v roki)
- Ko orodje postavite v stran, izklopite motor in pazite, da se vsi premikajoči se deli orodja popolnoma zaustavijo
- Uporabljajte povsem iztegnjene in varne električne podaljške, z jakostjo 16 amperov
- Če pride do električnih ali mehanskih okvar, takoj izklopite stroj in izvlcite vtiča iz vtičnice
- SKIL zagotavlja brezhibno delovanje orodja le z uporabo originalnega dodatnega pribora
- Uporabljajte lahko dodatni pribor, katerega dovoljena hitrost je najmanj enaka največji hitrosti orodja
- Orodja naj ne bi uporabljale osebe mlajše od 16 let
- **Za iskanje skritih električnih, plinskih in vodovodnih cevi uporabite primerne iskalne naprave (detektorje) ali se posvetujte z lokalnimi podjetji** (stik z električnimi vodniki lahko povzroči požar ali električni udar; poškodbe plinovoda lahko povzročijo eksplozijo, vdor v vodovodno omrežje pa materialno škodo ali električni udar)
- **Električno orodje smete držati le na izoliranem ročaju, če delate na območju, kjer lahko vstavljeni orodje pride v stik s skritimi omrežnimi napeljavami ali lastni omrežni kabel** (stik z napeljavo, ki je pod napetostjo povzroči, da so posledično tudi kovinski deli orodje pod napetostjo in to vodi do električnega udara)
- **Ne obdelujte materiala, ki vsebuje azbest** (azbest povzroča rakasta obolenja)
- Prah materialov, kot so barve, ki vsebujejo svinec, nekatere vrste lesa, mineralov ali kovin so lahko škodljivi (ob stiku ali vdihavanju lahko prah pri delavcu ali pri drugih prisotnih povzroči alergijsko reakcijo in/ali boleznih dihal); **nosite masko za prah in pri delu uporabljajte napravo za odsesavanje prahu, kjer je le-to možno priključiti**
- Nekatere vrste prahu so klasificirane kot kancerogene (kot npr. prah hrasta in bukve) še posebno ob sočasni uporabi z dodatki za obdelavo lesa; **nosite masko za prah in pri delu uporabljajte napravo za odsesavanje prahu, kjer je le-to možno priključiti**
- Upoštevajte nacionalne zahteve glede prahu za materiale katere želite obdelovati
- Če je priključni kabel poškodovan ali se med delom pretрга se ga ne dotikajte, temveč takoj potegnite električni vtiča iz vtičnice
- Nikoli ne uporabljajte orodja, če je kabel poškodovan; okvaro naj odpravi strokovnjak
- Vedno preverite, če je napetost omrežja enaka napetosti, ki je navedena na tablici orodja (orodje z nazivno napetostjo 230V ali 240V lahko priključite tudi na napetost 220V)
- Če se sveder pri vrtnanju nepričakovano zagozdi (zaradi nenadnih, nevarnih pritiskov), takoj izključite orodje
- Pazite na nenadne sile, ki nastanejo zaradi blokiranja pri vrtnanju (posebno pri vrtnanju v kovino); **vedno uporabljajte stranski ročaj G ②** in si zagotovite stabilno in varno pozicijo
- **Vedno izvlcite električni vtiča iz vtičnice preden spreminjate nastavitve ali menjate pribor**

## UPORABA

- Vkllop/izklop ④
  - Nastavitve maksimalne hitrosti ⑤  
Z gumbom B se lahko maksimalna hitrost nastavlja od nizke do visoke (1-6)
  - Nastavitve načina delovanja ⑥  
**! način delovanja izberite le pri izključenem orodju in ko je vtiča izključen**
    - pritisnite gumb C, da sprostite stikalo D
    - najprej obrnite stikalo D na želeni način delovanja, dokler se ne zaskoči
    - nato obrnite stikalo E na želeni način delovanja  
1 = normalno vrtnanje/vijačenje  
2 = udarno vrtnanje  
3 = klesanje
  - **! z delom pričnite le, ko se stikalo D zaskoči na mestu**
    - za vrtnanje v les, kovino in plastiko in tudi za vijačenje uporabite ustrezen adapter (glej: Uporabni nasveti)
    - udarni mehanizem je aktiviran z rahlim pritiskom svedra na obdelovanec
    - udarni mehanizem hitro doseže polno moč udarjanja
    - ne pritiskajte na orodje premočno, pustite da orodje sam opravi delo
  - Menjava nastavkov ⑦  
**! pred vpetjem pribor SDS+ očistite in narahlo naoljite**
    - pritisnite nazaj sprednji del glave zapiralo F ② in vstavite pribor v glavo SDS+; med vstavljanjem pribor narahlo obračajte in ga potiskajte v glavo; pribor se bo samodejno zaskočil
    - preverite pravilnost vpetja pribora s ponovnim izvlačenjem iz glave
    - odstranite pribor s ponovnim pritiskom glave zapirala F nazaj
  - **! SDS+ pribor se prosto premika, ko ni obremenjen; med delom se avtomatsko centrira, brez vpliva na točnost vrtnanja**
  - **! ne uporabljajte nastavke/dlet s poškodovanim stebmom**
  - Varnostna sklopka  
V primeru blokade pribora v obdelovancu se vrtenje gredi prekine
    - takoj izključite orodje
    - odstranite blokirano orodje
    - ponovno vključite orodje
  - Nastavitve globine vrtnanja ⑧
  - Držanje in vodenje orodja ⑨  
**! med delom vedno držite orodje za sivo obarvano mesto oprijema**
    - **vedno uporabljajte stranski ročaj G ②** (nastavljiv, kot je ilustrirano)
    - ventilacijske reže H ② morajo biti nepokrite
- ## UPORABNI NASVETI
- Uporabljajte ustrezne nastavke ⑩  
**! vedno uporabljajte ostre nastavke/dlete**
  - Pri vrtnanju v les, kovino in plastiko in tudi za vijačenje uporabite ustrezen adapter (SKIL 2610395660) ⑪
    - pred vpetjem adapter očistite in narahlo naoljite

- pritisnite nazaj sprednji del glave zapiralo F ② in vstavite adapter v glavo SDS+; med vstavljanjem adapter narahlo obračajte in ga potiskajte v glavo; adapter se bo samodejno zaskočil
- preverite pravilnost vpetja adaptera s ponovnim izvlečenjem iz glave SDS+
- naravnajte stikalo D ② na običajno vrтанje (**naravnati le pri izključenem orodju in ko je vtičač izključen**)
- Pri vrтанju v kovine
  - naprej izvrtajte manjšo luknjo, šele nato večjo
  - sveder občasno naoljite
- Pri vijačenju vijaka v les v bližini robu je potrebno predvrtati luknjo, s čimer boste preprečili pokanje lesa
- Vrтанje v les brez odlomljenih koščkov ⑫
- Vrтанje v stene z zaščito proti prahu ⑬
- Vrтанje v strop z zaščito proti prahu ⑭
- Vrтанje v ploščice brez spodsavanja ⑮
- Za več nasvetov glejte pod [www.skil.com](http://www.skil.com)

## VZDRŽEVANJE/SERVISIRANJE

- Orodje ni namenjeno profesionalni uporabi
- Nikoli ne odpirajte orodja sami ⑩
- Priključni kabel in orodje naj bosta vedno čista (posebej še prezračevalne odprtine H ②)
- ! **izvlecite vtičač iz vtičnice pred čiščenjem**
- Če bi kljub skrbnim postopkom izdelave in preizkušanja prišlo do izpada delovanja orodja, naj popravilo opravi servisna delavnica, pooblaščen za popravila SKILevih električnih orodij
  - pošljite **nerazstavljeno** orodje skupaj s potrdilom o nakupu pri vašemu prodajalcu v najbližjo SKIL servisno delavnico (naslovi, kot tudi spisek rezervnih delov se nahaja na [www.skil.com](http://www.skil.com))

## OKOLJE

- **Električnega orodja, pribora in embalaže ne odstranjujte s hišnimi odpadki** (samo za države EU)
  - v skladu z Evropsko direktivo 2012/19/EG o odpadni električni in elektronski opremi in z njenim izvajanjem v nacionalni zakonodaji je treba električna orodja ob koncu njihove življenjske dobe ločeno zbirati in jih predati v postopek okoliju prijaznega recikliranja
  - ko je potrebno odstranjevanje, naj vas o načinu spomni simbol ⑰

## IZJAVA O SKLADNOSTI Ć

- Odgovorno izjavljamo, da je ta izdelek v skladu z naslednjimi standardi ali standardnimi dokumenti: EN 60745, EN 61000, EN 55014, v skladu s predpisi navodil 2004/108/ES, 2006/42/ES, 2011/65/EU
- **Tehnična dokumentacija se nahaja pri:** SKIL Europe BV (PT-SEU/ENG1), 4825 BD Breda, NL

Marijn van der Hoofden  
Operations & Engineering

Olaf Dijkgraaf  
Approval Manager




SKIL Europe BV, 4825 BD Breda, NL

09.12.2013

## HRUP/VIBRACIJA

- Izmerjeno v skladu s predpisom EN 60745 je raven zvočnega pritiska za to orodje 95 dB(A) in jakosti zvoka 106 dB(A) (standarden odmik: 3 dB), in vibracija \* m/s<sup>2</sup> (metoda dlan-roka; netočnost K = 1,5 m/s<sup>2</sup>)
  - \* pri udarnem vrтанju v beton 17,0 m/s<sup>2</sup>
  - \* pri klesanju 16,0 m/s<sup>2</sup>
- Raven oddajanja vibracij je bila izmerjena v skladu s standardiziranimi testi, navedenimi v EN 60745; uporabiti jo je mogoče za primerjavo različnih orodij med seboj in za predhodno primerjavo izpostavljenosti vibracijam pri uporabi orodja za namene, ki so omenjeni
  - uporaba orodja za drugačne namene ali uporaba skupaj z drugimi, slabo vzdrževanimi nastavki lahko znatno **poveča** raven izpostavljenosti
  - čas, ko je orodje izklopljeno ali ko teče, vendar z njim ne delamo, lahko znatno **zmanjša** raven izpostavljenosti
- ! **pred posledicami vibracij se zaščitite z vzdrževanjem orodja in pripadajočih nastavkov, ter tako, da so vaše roke tople, vaši delovni vzorci pa organizirani**

EST

Puurvarsar

1766

## SISSEJUHATUS

- Tööriist on ettenähtud betooni, müüritise ja kivimi löökpuurimiseks ning kergeteks meiseldustöödeks; puidu, metalli ja plastmaterjalide puurimiseks ning kruvikeeramistöödeks tuleb kasutada spetsiaalseid lisatarvikuid
- Tööriista löökpuurimisüsteem ületab betooni puurimiselvõimsuse poolest kõiki tavalisi löökpuurtrellid
- Tööriist on võimalik kasutada kõiki tavapäraseid SDS+ tarvikuid
- Tööriist pole mõeldud professionaalseks kasutamiseks
- Palun lugege käesolev kasutusjuhend hoolikalt läbi ja hoidke alles ③

## TEHNILISED ANDMED ①

- \* Löögitugevus EPTA-Procedure 05/2009 kohaselt -> väärtus pole veel saadaval

## SEADME OSAD ②

- A Lülitid seadme sisse-/väljalülitamiseks
- B Maksimumkiiruse kontrollregulaator
- C Lahtikeeramise nupp
- D Töörežiimi lüliti
- E Teine töörežiimi lüliti
- F Fikseerimisrõngas
- G Lisakäepide
- H Öhutusavad
- J Sügavusmõõdik



# OHUTUS

## ÜLDISED OHUTUSJUHISED

**⚠ TÄHELEPANU!** Kõik ohutusnõuded ja juhised tuleb läbi lugeda. Ohutusnõuete ja juhiste eiramise tagajärjeks võib olla elektrilöök, tulekahju ja/või rasked vigastused. **Hoidke kõik ohutusnõuded ja juhised edasiseks kasutamiseks hoolikalt alles.** Allpool kasutatud mõiste "elektriline tööriist" käib võrgutoitega (toitejuhtmega) elektriliste tööriistade ja akutoitega (ilma toitejuhtmata) elektriliste tööriistade kohta.

### 1) OHUTUSNÕUDED TÕÕPIIRKONNAS

- Hoidke töökoht puhas ja korras.** Segadus või valgustamata tööpiirkonnad võivad põhjustada õnnetusi.
- Ärge kasutage seadet plahvatusohtlikus keskkonnas, kus leidub tuleohtlike vedelikke, gaase või tolmu.** Elektrilistest tööriistadest lööb sädemeid, mis võivad tolmu või auru süüdata.
- Kui kasutate elektrilist tööriista, hoidke lapsed ja teised isikud töökohast eemal.** Kui Teie tähelepanu kõrvale juhitakse, võib seade Teie kontrolli alt väljuda.

### 2) ELEKTROOHUTUS

- Seadme pistik peab pistikupessa sobima.** Pistiku kallal ei tohi teha mingeid muudatusi. Ärge kasutage kaitsemaandusega seadmete puhul adapterpistikuid. Muutmata pistikud ja sobivad pistikupesad vähendavad elektrilöögi saamise riski.
- Vältige kehakontakti maandatud pindadega, nagu torud, radiaatorid, pliigid ja külmikud.** Kui Teie keha on maandatud, on elektrilöögi risk suurem.
- Hoidke seadet vihma ja niiskuse eest.** Kui elektriseadmesse on sattunud vett, on elektrilöögi saamise risk suurem.
- Ärge kasutage toitejuhet selleks mitte ettenähtud otstarbel seadme kandmiseks, ülesriputamiseks ega pistiku pistikupesast väljatõmbamiseks.** Hoidke toitejuhet kuumuse, õli, teravate servade ja seadme liikuvate osade eest. Kahjustatud või keerduläinud toitejuhtmed suurendavad elektrilöögi saamise riski.
- Kui töötate elektrilise tööriistaga vabas õhus, kasutage ainult selliseid pikendusjuhtmeid, mida on lubatud kasutada ka välistingimustes.** Välistingimustes kasutamiseks sobiva pikendusjuhtme kasutamine vähendab elektrilöögi saamise riski.
- Kui elektrilise tööriista kasutamine niiskes keskkonnas on vältimatu, kasutage maandusega lekkevoolukaitset.** Maandusega lekkevoolukaitse kasutamine vähendab elektrilöögi ohtu.

### 3) INIMESTE TURVALISUS

- Olge tähelepanelik, jälgige, mida Te teete, ning toimige elektrilise tööriistaga töötades mõistlikult.** Ärge kasutage seadet, kui olete väsinud või uimastite, alkoholi või ravimite mõju all. Hetkeline tähelepanematus seadme kasutamisel võib põhjustada tõsised vigastusi.
- Kandke isikukaitsevahendeid ja alati kaitseprille.** Isikukaitsevahendid, nagu tolmutmask, libisemiskindlad turvajalatsid, kaitsekiiver või kuulmiskaitsevahendid, kandmine – sõltuvalt elektrilise tööriista tüübist ja kasutusala – vähendab vigastuste riski.

- Vältige seadme tahtmatut käivitamist.** Enne pistiku ühendamist pistikupessa, aku ühendamist seadme külge, seadme ülestõstmist ja kandmist veenduge, et elektriline tööriist on välja lülitatud. Kui hoiate elektrilise tööriista kandmisel sõrme lülitil või ühendate vooluvõrku sisselülitatud seadme, võivad tagajärjeks olla õnnetused.
  - Ärge seadme sisselülitamist eemaldage selle küljest reguleerimis- ja mutrivõtmed.** Seadme pöörleva osa küljes olev reguleerimis- või mutrivõti võib põhjustada vigastusi.
  - Ärge hinnake end üle. Võtke stabiilne tööasend ja hoidke kogu aeg tasakaalu.** Nii saate seadet ootamatutes olukordades paremini kontrollida.
  - Kandke sobivat rõivastust. Ärge kandke laiu rideid ega ehteid. Hoidke juuksed, rõivad ja kindad seadme liikuvatest osadest eemal.** Lotendavad riided, ehted või pikad juuksed võivad sattuda seadme liikuvate osade vahele.
  - Kui on võimalik paigaldada tolmueemaldus- ja tolmukogumiseadiseid/seadmeid, veenduge, et need oleksid seadmega ühendatud ja et neid kasutatakse õigesti.** Tolmueemaldusseadise kasutamine vähendab tolmust põhjustatud ohte.
- ### 4) ELEKTRILISTE TÕÕRIISTADE HOOLIKAS KÄSITSEMINE JA KASUTAMINE
- Ärge koormake seadet üle.** Kasutage töö tegemiseks selleks ettenähtud elektrilist tööriista. Sobiva elektrilise tööriistaga töötate paremini ja turvalisemalt ettenähtud võimsusvahemikus.
  - Ärge kasutage elektrilist tööriista, mille lülitil on rikkis.** Elektriline tööriist, mida ei ole enam võimalik sisse ja välja lülitada, on ohtlik ning seda tuleb remontida.
  - Tõmmake pistik pistikupesast välja ja/või eemaldage seadme aku enne seadme reguleerimist, tarvikute vahetamist ja seadme ärapanekut.** See ettevaatusabinõu väldib seadme tahtmatut käivitamist.
  - Kasutusvälisel ajal hoidke elektrilisi tööriistu lastele kättesaamatult. Ärge laske seadet kasutada isikutel, kes seda ei tunne või pole siintoodud juhiseid lugenud.** Kogenematute kasutajate käes kujutavad elektrilised tööriistad ohtu.
  - Hoolitsege seadme eest. Kontrollige, kas seadme liikuvad osad funktsioneerivad korralikult ja ei kiildu kinni, ning ega mõned osad ei ole katki või sel määral kahjustatud, et võiksid mõjutada seadme töökindlust.** Laske kahjustatud osad enne seadme kasutamist parandada. Paljude õnnetuste põhjuseks on halvasti hooldatud elektrilised tööriistad.
  - Hoidke lõiketarvikud teravad ja puhtad.** Hoolikalt hoitud, teravate lõikeservadega lõiketarvikud kiilduvad harvemini kinni ja neid on lihtsam juhtida.
  - Kasutage elektrilist tööriista, lisavarustust, tarvikuid jne vastavalt siintoodud juhistele.** Arvestage seejuures töötingimuste ja teostatava töö iseloomuga. Elektriliste tööriistade kasutamine mitte ettenähtud otstarbel võib põhjustada ohtlike olukordi.
- ### 5) TEENINDUS
- Laske seadet parandada ainult kvalifitseeritud spetsialistidel ja ainult originaalvaruosadega.** Nii tagate seadme püsimise turvalisena.

## OHUTUSJUHISED PUURVASARATE KOHTA

- **Kandke kuulmiskaitsevahendeid** (müra võib kahjustada kuulmist)
- **Kasutage seadme tarnekomplekti kuuluvaid lisakäepidemeid** (kontrolli kaotus seadme üle võib põhjustada vigastusi)
- Vältige töödeldavas esemes olevatest kruvidest, naeltest vms põhjustatud kahjustusi; eemaldage need enne töö alustamist
- Vältige toitejuhtme kokkupuutumist seadme pöörlevate osadega
- **Fikseerige toorik** (fiksaatoriga kinnitatud või kruustangide vahele pandud toorik püsib kindlamini paigal kui lihtsalt käega hoides)
- Enne tööriista juurest lahkumist lülitage see välja ning oodake, kuni selle liikuvad osad on täielikult seiskunud
- Pikenõusjuhtmete kasutamisel jälgige, et juhe oleks lõpuni lahti keritud ja vastaks 16 A voolutugevusele
- Seadme elektrilise või mehhaanilise häire korral lülitage seade viivitamatult välja ja eemaldage pistik vooluvõrgust
- SKIL tagab seadme häireteta töö üksnes originaaltarvikute kasutamisel
- Kasutage vaid neid tarvikuid, mille lubatud pöörte arv on vähemalt sama suur nagu maksimaalsed tühikäigupöörded
- Tööriista kasutaja peab olema vähemalt 16 aastat vana
- **Varjatult paiknevate elektrijuhtmete, gaasi- või veetorude avastamiseks kasutage sobivaid otsimisseadmeid või pöörduge kohaliku elektri-, gaasi- või vee-ettevõtte poole** (kokkupuutel elektrijuhtmetega tulekahju- ja elektrilöögioht; gaasitorustiku vigastamisel plahvatusoht; veetorustiku vigastamisel materiaalne kahju või elektrilöögioht)
- **Kui teostate töid, mille puhul võib tarvik tabada varjatult elektrijuhtmeid või seadme enda toitejuhet, hoidke seadet ainult isoleeritud käepidemetest** (kontakt pinge all oleva elektrijuhtmega võib pingestada seadme metallosad ja põhjustada elektrilöögi)
- **Asbestisisaldava materjali töötlemine on keelatud** (asbest võib tekitada vähki)
- Värviga kaetud juhtmed, mõned puiduliigid, mineraalid ja metall eraldavad tolmu, mis võib olla kahjulik (kokkupuude tolmu või selle sissehingamine võib seadme kasutajal või läheduses viibival inimesel põhjustada allergilisi reaktsioone ja/või hingamisteede haigusi); **kandke tolumaski ja vajaduse korral töötaage külgeühendatava tolmuemaldusseadmega**
- Teatud tüüpi tolmu on klassifitseeritud kantserogeensena (nt tammest ja kasest eralduv tolm), eriti koos puidu niiskuse reguleerimiseks kasutatavate lisanditega; **kandke tolumaski ja vajaduse korral töötaage külgeühendatava tolmuemaldusseadmega**
- Erinevate materjalide töötlemisel tekkiva tolmu käitlemisel tuleb järgida kehtivaid nõudeid
- Kui toitejuhe saab töötamise ajal kahjustada või see lõigatakse läbi, ärge toitejuhet puutuge, vaid eemaldage koheselt pistik vooluvõrgust
- Ärge kunagi kasutage kahjustatud toitejuhtmega tööriista; laske toitejuhe remonditöökojas välja vahetada
- Kontrollige alati, kas võrgupinge ühtib tööriista andesildil toodud pingega (andesildil toodud 230V või 240V

korral võib tööriistad kasutada ka 220V võrgupinge puhul)

- Kui puur ootamatult blokeerub (põhjustades järsu, ohtliku reaktsiooni), lülitage seade koheselt välja
- Pöörake tähelepanu blokeerumisel tekkivatele jõududele (eriti metalli puurimisel); **hoidke tööriista alati külgekäepidemest G** ② ja võtke stabiilne tööasend
- **Enne seadme reguleerimist või tarviku vahetust eemaldage seade vooluvõrgust (tõmmake pistik pistikupesast välja)**

## KASUTAMINE

- Sisse/välja ④
- Maksimumkiiruse kontroll ⑤
- Ratta B abil saab maksimumkiirust reguleerida (1-6)
- Töörežiimi valik ⑥
- ! **töörežiimi tohib muuta vaid siis, kui seade on välja lülitatud ja pistik on vooluvõrgust eemaldatud**
  - vajutage nupule C lüliti D lahtikeeramiseks
  - esmalt pöörake lüliti D soovitud tööasendisse kuni see klõpsatab kinni
  - seejärel pöörake lüliti E soovitud tööasendisse
  - 1 = tavaline puurimine/ kruvide keeramine
  - 2 = löökpuurimine
  - 3 = meiseldamine
- ! **alutage töötamist vaid siis, kui lüliti D on lukustatud**
  - puidu, metalli ja plastmaterjalide puurimiseks ning kruvide keeramiseks tuleb kasutada juurdekuuluvat adapterit (vt Tööjuhised)
  - löökpuurimismehhanismi aktiveerib tööriistale avaldatav kerge surve, kui puur puutub vastu töödeldavat eset
  - kulub veidi aega, enne kui löökpuurimismehhanism saavutab täisvõimsuse
  - ärge suruge tööriistale liigselt; laske sellel enda heaks töötada
- Otsakute vahetamine ⑦
- ! **enne padrunisse asetamist tuleb SDS+ tarvik puhastada ja kergelt määrada**
  - tõmmake fikseerimisrõngas F ② tagasi ja lükake tarvik pöördliigutusega SDS+ padrunisse; tarvik lukustub automaatselt
  - kontrollige lukustust, tõmmates tarvikust
  - tarviku eemaldamiseks tõmmake fikseerimisrõngast F tahapoole
- ! **SDS+ tarvik peab saama padrunis vabalt liikuda; see põhjustab tühikäigul tarviku mõningase "viskumise"; puurimisel tsentreerub tarvik padrunis automaatselt ja seetõttu ei mõjuta tühikäigul tekkiv "viskumine" puurimistäpsust**
- ! **ärge kasutage kahjustatud varrega otsakuid/meisleid**
- Kaitseidur
  - Peatab tarviku kinnikiildumisel spindli pöörlemise
    - lülitage seade kohe välja
    - eemaldage kinnikiildunud tarvik
    - lülitage seade uuesti sisse
- Puurimissügavuse reguleerimine ⑧

- Tööriista hoidmine ja juhtimine ⑨
- ! **töötamise ajal hoidke tööriista kinni korpuse ja käepideme halli värvi osadest**
- **hoidke tööriista alati külgekäepidemest G ②** (reguleeritav vastavalt joonisele)
- hoidke õhutusavad H ② kinnikatmata

## TÖÖJUHISED

- Kasutage sobivaid otsakuid ⑩
- ! **kasutage ainult teravaid otsakuid/meisleid**
- Puidu, metalli ja plastrmaterjalide puurimiseks ning kruvide keeramiseks kasutage juurdekuuluvat adapterit (SKIL lisatarvik 2610395660) ⑪
- enne paigaldamist tuleb adapter puhastada ja kergelt määrada
- tõmmake fikseerimisrõngas F ② tagasi ja lükake adapter pöördliigutusega SDS+ padrunisse; adapter lukustub automaatselt
- kontrollige lukustust, tõmmates adapterist
- ükake lüliti D ② tavalise puurimise asendisse (**kui seade on välja lülitatud ja pistik on vooluvõrgust eemaldatud**)
- Metallide puurimisel
  - kui vajate suuremat auku, puurige algul ette väike auk
  - määrige otsakuid aeg-ajalt õliga
- Kruvi keeramisel puidu otsapiirkonda on soovitatav auk ette puurida, et vältida puidu lõhenemist
- Puidu puurimine puitu kahjustamata ⑫
- Müüritise puurimine tolmu tekitamata ⑬
- Lagede puurimine tolmu tekitamata ⑭
- Keraamiliste plaatide puurimine, ilma et puur libiseks ⑮
- Rohkem nõuandeid leiate aadressil [www.skil.com](http://www.skil.com)

## HOOLDUS/TEENINDUS

- Tööriist pole mõeldud professionaalseks kasutamiseks
- Ärge kunagi avage tööriista ise ⑯
- Hoidke seade ja toitejuhe alati puhtad (eriti õhutusavad H ②)
- ! **enne puhastamist eemaldage seade vooluvõrgust**
- Tööriist on hoolikalt valmistatud ja testitud; kui tööriist sellest hoolimata rikki läheb, tuleb see lasta parandada SKILi elektriliste käsitööriistade volitatud remonditöökojas
  - toimetage **lahtrimonteerimata** seade koos ostukviitungiga tarnijale või lähimasse SKILi lepingulisse töökohta (aadressid ja tööriista varuosade joonise leiate aadressil [www.skil.com](http://www.skil.com))

## KESKKOND

- **Ärge visake kasutuskölbmatuks muutunud elektrilisi tööriistu, lisatarvikuid ja pakendeid ära koos olmejäätmetega** (üksnes EL liikmesriikidele)
  - vastavalt Euroopa Parlamendi ja nõukogu direktiivile 2012/19/EÜ elektri- ja elektroonikaseadmete jäätmete kohta ning direktiivi nõuete kohaldamiseks liikmesriikides tuleb kasutuskölbmatuks muutunud elektrilised tööriistad koguda eraldi ja keskkonnasäästlikult korduvkasutada või ringlusesse võtta
  - seda meenutab Teile sümbol ⑰

## VASTAVUSDEKLARATSIOON CE

- Kinnitame ainuvastutajana, et see toode vastab järgmistele standarditele või normdokumentidele: EN 60745, EN 61000, EN 55014 vastavalt direktiivide 2004/108/EÜ, 2006/42/EÜ, 2011/65/EL nõuetele
- **Tehtniine toimik saadaval aadressil:** SKIL Europe BV (PT-SEU/ENG1), 4825 BD Breda, NL

Marijn van der Hoofden      Olaf Dijkgraaf  
Operations & Engineering      Approval Manager




SKIL Europe BV, 4825 BD Breda, NL

09.12.2013

## MÜRA/VIBRATSIOON

- Vastavalt kooskõlas normiga EN 60745 läbi viidud mõõtmistele on tööriista helirõhk 95 dB(A) ja helitugevus 106 dB(A) (standardkõrvalekalle: 3 dB), ja vibratsioon \* m/s<sup>2</sup> (käe-randme-meetod; mõõtemääramatus K = 1,5 m/s<sup>2</sup>)
  - \* betooni löökpuurimisel 17,0 m/s<sup>2</sup>
  - \* meiseldustöödel 16,0 m/s<sup>2</sup>
- Tekkiva vibratsiooni tase on mõõdetud vastavalt standardis EN 60745 kirjeldatud standarditud testile; seda võib kasutada tööriistade võrdlemiseks ja tööriista kasutamisel ettenähtud töödeks esineva vibratsiooni esialgseks hindamiseks
  - tööriista kasutamisel muudeks rakendusteks või teiste/ halvasti hooldatud tööriistade kasutamisel võib vibratsioon märkimisväärselt **suurened**
  - ajal, kui tööriist on väljalülitatud või on küll sisselülitatud, kuid tegelikult seda ei kasutata, võib vibratsioon märkimisväärselt **vähened**
- ! **enda kaitsmiseks vibratsiooni eest hooldage tööriista ja selle tarvikuid korralikult, hoidke oma käed soojad ja tagage sujuv töökorraldus**

LV

## Perforators

1766

## IEVADS

- Šis instruments ir paredzēts triecienuurbšanai betonā, ķieģeli un akmeni, kā arī viegliem kalšanas darbiem; lai veiktu rotācijas urbšanu kokā, metālā un plastmasā, kā arī skrūvju ieskrūvēšanu, jālieto speciāli papildpiederumi
- Veicot urbšanu betonā, šā instrumenta triecienuurbšanas sistēma pārspēj jebkuru tradicionālo triecienuurbmašīnu
- Šis instruments ir paredzēts izmantošanai kopā ar visiem SDS+ sistēmas darbinstrumentiem
- Šis instruments nav paredzēts profesionālai lietošanai
- Izlasiet un saglabājiet šo pamācību ③

## TEHNISKIE PARAMETRI ①

- \* Atveiško triecienu enerģija atbilstoši EPTA-Procedure 05/2009 -> vērtība vēl nav pieejama

## INSTRUMENTA ELEMENTI ②

- A Ieslēdzējs
- B Pirkstrats maksimālā griešanās ātruma priekšiestādīšanai
- C Atbloķēšanas poga
- D Darba režīma pārslēdzējs
- E Otrs darba režīma pārslēdzējs
- F Fiksējošā uzdeva
- G Papildrokturis
- H Ventilācijas atveres
- J Dziluma mērinstruments

## DROŠĪBA

### VISPĀRĒJIE DARBA DROŠĪBAS NOTEIKUMI

**UZMANĪBU!** Rūpīgi izlasiet visus drošības noteikumus. Šeit sniegto drošības noteikumu un norādījumu neievērošana var izraisīt aizdegšanos un būt par cēloni elektriskajam triecienam vai nopietnam savainojumam. **Pēc izlasīšanas uzglabājiet šos noteikumus turpmākai izmantošanai.** Turpmākajā izklāstā lietotais apzīmējums "elektroinstruments" attiecas gan uz tīkla elektroinstrumentiem (ar elektrokabeļi), gan arī uz akumulatora elektroinstrumentiem (bez elektrokabeļa).

### 1) DROŠĪBA DARBA VIETĀ

- a) **Sekojiēt, lai darba vieta būtu tīra un sakārtota.** Nekārtīgā darba vietā vai sliktā apgaismojumā var viegli notikt nelaimes gadījums.
- b) **Nelietojiet elektroinstrumentu eksplozīvu vai ugunsnedrošu vielu tuvumā un vietās ar paaugstinātu gāzes vai putekļu saturu gaisā.** Darba laikā instrumentus nedaudz dzirksteļo, un tas var izsaukt viegli degošu putekļu vai tvaiku aizdegšanos.
- c) **Lietojot elektroinstrumentu, neļaujiet nepiederošām personām un jo īpaši bērniem tuvoties darba vietai.** Citu personu klātbūtnē var novērst uzmanību, un tā rezultātā jūs varat zaudēt kontroli pār instrumentu.

### 2) ELEKTRODROŠĪBA

- a) **Elektroinstrumenta kontaktdakšai jābūt piemērotai elektrotīkla kontaktlīdždai. Kontaktdakšas konstrukciju nedrīkst nekādā veidā mainīt. Nelietojiet kontaktdakšas salāgotājus, ja elektroinstruments caur kabeli tiek savienots ar aizsargzēmējuma ķēdi.** Neizmainītas konstrukcijas kontaktdakša, kas piemērota kontaktlīdždai, ļauj samazināt elektriskā trieciena saņemšanas risku.
- b) **Darba laikā nepieskarieties saņemtiem priekšmetiem, piemēram, caurulēm, radiatoriem, plītiem vai ledusskapjiem.** Pieskaroties saņemtiem virsmām, pieaug risks saņemt elektrisko triecienu.
- c) **Nelietojiet elektroinstrumentu lietus laikā, neturiet to mitrumā.** Mitrumam iekļūstot instrumentā, pieaug risks saņemt elektrisko triecienu.
- d) **Nenesiet un nepiekariet elektroinstrumentu aiz elektrokabeļa. Neraujiet aiz kabeļa, ja vēlaties atvienot instrumentu no elektrotīkla kontaktlīdždas. Sargājiet elektrokabeļi no karstuma, eļļas, asām šķautnēm un instrumenta kustīgajām daļām.** Bojāts vai samezģojies elektrokabeļis var būt par cēloni elektriskajam triecienam.

- e) **Darbinot elektroinstrumentu ārpus telpām, izmantojiet tā pievienošanai vienīgi tādas pagarinātājkaabeļus, kuru lietošana ārpus telpām ir atļauta.** Lietojot elektrokabeļi, kas piemērots darbam ārpus telpām, samazinās risks saņemt elektrisko triecienu.
- f) **Ja elektroinstrumentu tomēr nepieciešams lietot vietās ar paaugstinātu mitrumu, izmantojiet tā pievienošanai noplūdes strāvas aizsargreleju.** Lietojot noplūdes strāvas aizsargreleju, samazinās risks saņemt elektrisko triecienu.

### 3) PERSONISKĀ DROŠĪBA

- a) **Darba laikā saglabājiet paškontroli un rīkojieties saskaņā ar veselo saprātu. Pārtrauciet darbu, ja jūtaties noguris vai atrodaties alkohola, narkotiku vai medikamentu izraisītā reibumā.** Strādājot ar elektroinstrumentu, pat viens neuzmanības mirklis var būt par cēloni nopietnam savainojumam.
  - b) **Izmantojiet individuālos darba aizsardzības līdzekļus un darba laikā vienmēr nēsājiet aizsargbrilles.** Individuālo darba aizsardzības līdzekļu (putekļu maskas, neslidošu apavu un aizsargķiveres vai ausu aizsargu) pielietošana atbilstoši elektroinstrumenta tipam un veicamā darba raksturam ļauj izvairīties no savainojumiem.
  - c) **Nepieļaujiet elektroinstrumenta patvaļīgu ieslēgšanos. Pirms elektroinstrumenta pievienošanas elektrotīklam, akumulatora ievietošanas vai izņemšanas, kā arī pirms elektroinstrumenta pārnesšanas pārliecinieties, ka tas ir izslēgts.** Pārnesot elektroinstrumentu, ja pirksts atrodas uz ieslēdzēja, kā arī pievienojot to elektrobarošanas avotam laikā, kad elektroinstruments ir ieslēgts, var viegli notikt nelaimes gadījums.
  - d) **Pirms instrumenta ieslēgšanas neaizmirstiet izņemt no tā regulējošos instrumentus vai skrūvjatslēgas.** Patronatslēga vai skrūvjatslēga, kas instrumenta ieslēgšanas brīdī nav izņemta no tā, var radīt savainojumu.
  - e) **Strādājot ar elektroinstrumentu, ieturiet stingru stāju. Darba laikā vienmēr saglabājiet līdzsvaru un centieties nepaslidēt.** Tas atvieglos instrumenta vadību neparedzētās situācijās.
  - f) **Izvēlieties darbam piemērotu apģērbu. Darba laikā nenēsājiet brīvi plandošas drēbes un rotaslietas. Netuviniet matus, apģērbu un aizsargcimdus instrumenta kustīgajām daļām.** Vaļiņas drēbes, rotaslietas un gari mati var iekļerties instrumenta kustīgajās daļās.
  - g) **Ja elektroinstrumenta konstrukcija ļauj tam pievienot ārējo putekļu uzsūkšanas vai savākšanas/uzkrāšanas ierīci, sekojiēt, lai tā tiktu pievienota elektroinstrumentam un pareizi darbotos.** Pielietojot putekļu uzsūkšanu vai savākšanu/uzkrāšanu, samazinās to kaitīgā ietekme uz strādājošās personas veselību.
- ### 4) ELEKTROINSTRUMENTU LIETOŠANA UN APKOPE
- a) **Nepārslogojiet elektroinstrumentu. Katram darbam izvēlieties piemērotu instrumentu.** Elektroinstruments darbosies labāk un drošāk pie nominālās slodzes.
  - b) **Nelietojiet elektroinstrumentu, ja ir bojāts tā ieslēdzējs.** Elektroinstruments, ko nevar ieslēgt un

izslēgt, ir bīstams lietošanai un to nepieciešams remontēt.

- c) **Pirms elektroinstrumenta apkopes, regulēšanas vai darbinstrumenta nomaiņas atvienojiet tā kontaktdakšu no barojošā elektrotīkla vai izņemiet no tā akumulatoru.** Šādi iespējams samazināt elektroinstrumenta nejausās ieslēgšanās risku.
- d) **Elektroinstrumentu, kas netiek darbināts, uzglabājiet piemērotā vietā, kur tas nav sasniedzams bērniem un personām, kuras neprot rīkoties ar instrumentu.** Ja elektroinstrumentu lieto nekompetentas personas, tas var apdraudēt cilvēku veselību.
- e) **Rūpīgi veiciet elektroinstrumenta apkalpošanu. Pārbaudiet, vai kustīgās daļas darbojas bez traucējumiem un nav iespīlētas, vai kāda no daļām nav salauzta vai bojāta, vai katra no tām pareizi funkcionē un pilda tai paredzēto uzdevumu. Nodrošiniet, lai bojātās daļas tiktu savlaicīgi nomainītas vai remontētas pilnvarotā remontu darbnīcā.** Daudzi nelaimes gadījumi notiek tāpēc, ka elektroinstrumentus pirms lietošanas nav pienācīgi apkalpojis.
- f) **Savlaicīgi notīriet un uzasiniet griezošos darbinstrumentus.** Rūpīgi kopti instrumenti, kas apgādāti ar asiem griezejinstrumentiem, ļauj strādāt daudz ražīgāk un ir vieglāk vadāmi.
- g) **Lietojiet vienīgi tādus elektroinstrumentus, papildpiederumus, darbinstrumentus utt., kas paredzēti attiecīgajam pielietojuma veidam. Bez tam jāņem vērā arī konkrētie darba apstākļi un pielietojuma īpatnības.** Elektroinstrumentu lietošana citiem mērķiem, nekā to ir paredzējusi ražotājfirma, ir bīstama un var novest pie neparedzamām sekām.

## 5) APKALPOŠANA

- a) **Nodrošiniet, lai Instrumenta remontu veiktu kvalificēts personāls, nomainījot izmantojot oriģinālās rezerves daļas un piederumus.** Tikai tā iespējams panākt instrumenta ilgstošu un nevainojamu darbību bez atteikumiem.

## DARBA DROŠĪBAS NOTEIKUMI PERFORATORIEM

- **Nēsājiet ausu aizsargus** (trokšņa iedarbība var radīt paliekošus dzirdes traucējumus)
- **Lietojiet kopā ar instrumentu piegādāto(s) papilddrokturi(us)** (kontroles zaudēšana pār instrumentu var būt par cēloni savainojumiem)
- Izvairieties no instrumenta bojājumiem, ko var radīt apstrādājamajā priekšmetā esošās skrūves, naglas vai citi līdzīgi objekti; pirms darba uzsākšanas atbrīvojiet apstrādājamo materiālu no šādiem priekšmetiem
- Darba laikā sekojiet, lai elektrokabelis atrastos drošā attālumā no instrumenta kustīgajām daļām
- **Nostipriniet apstrādājamo detaļu** (to ir drošāk nostiprināt ar spailēm vai skrūvspilēm, nevis turēt rokā)
- Pirms instrumenta novietošanas izslēdziet tā elektrodzinēju un nogaidiet, līdz ir pilnīgi apstājušās visas instrumenta kustīgās daļas
- Lietojiet pilnīgi atītus un drošus pagarinājāmkabeļus, kas paredzēti 16 A strāvai

- Elektriska vai mehāniska rakstura kļūmes gadījumā nekavējoties izslēdziet instrumentu un atvienojiet kabeļa kontaktdakšu no elektrotīkla
- Firma SKIL garantē instrumenta nevainojamu darbību tikai tad, ja tiek lietoti oriģinālie papildpiederumi
- Lietojiet tikai tādus darbinstrumentus, kuru pieļaujamais darbības ātrums ir vismaz tikpat liels, kā instrumenta maksimālais brīvgaits ātrums
- Šo instrumentu nedrīkst izmantot personas, kas jaunākas par 16 gadiem
- **Ar piemērota metālmeklētāja palīdzību pārbaudiet, vai apstrādes vietu nešķērso slēptas elektropārvades līnijas, kā arī gāzes vai ūdens caurules; šaubu gadījumā griežieties vietējā komunālās saimniecības iestādē** (darbinstrumentam skarot elektrotīkla fāzes līniju, var izcelties ugunsgrēks un strādājošais var saņemt elektrisko triecienu; gāzes vada bojājums var izraisīt sprādzienu; darbinstrumentam skarot ūdensvada cauruli, var tikt bojātas materiālās vērtības un strādājošais var saņemt elektrisko triecienu)
- **Veicot darbu, kura laikā darbinstruments var skart slēptus elektriskos vadus vai paša instrumenta elektrokabeļi, turiet instrumentu tikai aiz izolētajām virsmām** (darbinstrumentam skarot spriegumnesošos vadus, spriegums nonāk arī uz instrumenta metāla daļām un var būt par cēloni elektriskajam triecienam)
- **Neapstrādājiet materiālus, kas satur azbestu** (azbestam piemīt kancerogēnas īpašības)
- Materiāla (piemēram, svinu saturošas krāsas, dažu koka šķirņu, minerālu un metāla) putekļi var būt kaitīgi (saskare ar putekļiem vai to ieelpošana var izraisīt alerģiskas reakcijas un/vai elpošanas ceļu saslimšanas operatoram vai klātesošajiem); **izmantojiet putekļu masku un putekļsūcēju, ja to iespējams pievienot**
- Dažu veidu putekļi ir klasificēti kā kancerogēni (piemēram, ozola vai dižskābarža putekļi), jo īpaši apvienojumā ar koksnes kondicionēšanas piedevām; **izmantojiet putekļu masku un putekļsūcēju, ja to iespējams pievienot**
- Ievērojiet ar putekļu savākšanu saistītos nacionālos noteikumus, kas attiecas uz apstrādājamajiem materiāliem
- Ja darba laikā tiek pārgriezti vai citādi mehāniski bojāti instrumenta elektrokabeļi, nepieskarieties tam, bet nekavējoties atvienojiet elektrokabeļa kontaktdakšu no barojošā elektrotīkla
- Neizmantojiet instrumentu, ja tam ir bojāti elektrokabeļi; tā nomainīj drīkst veikt tikai pieredzējis speciālists
- Vienmēr pārliecinieties, ka spriegums, kas uzrādīts uz instrumenta marķējuma plāksnītes, atbilst padeves spriegumam elektrotīklā (230V vai 240V spriegumam paredzētie instrumenti var darboties arī no 220V elektrotīkla)
- Ja darba laikā urbis pēkšņi iestrēgst urbumā, tas var radīt ievērojamu reakktīvo momentu, kas savukārt var būt par cēloni negadījumam; šādā gadījumā nekavējoties izslēdziet instrumentu
- Nemiet vērā reakktīvo spēku, kas rodas, iestrēgstot darbinstrumentam (īpaši, veicot urbsanu metālā), **vienmēr izmantojiet papilddrokturi G** ② un nodrošiniet stabili pamatu zem kājām

- Pirms instrumenta regulēšanas vai piederumu nomainas atvienojiet to no barojošā elektrotīkla

## DARBS

- Ieslēgšana/izslēgšana ④
- Maksimālā darbvārpstas griešanās ātruma priekšiestādīšana ⑤  
Ar pirkstrata B palīdzību maksimālo darbvārpstas griešanās ātrumu iespējams regulēt no nelielas vērtības līdz lielākai (1-6)
- Darba režīma izvēle ⑥  
**! darbības režīma pārslēgšanas brīdī instrumentam obligāti jābūt izslēgtam un elektrokabeļa kontaktdakša ir atvienota no elektrotīkla**
  - piespiest pogu C, lai atbloķētu slēdzi D
  - vispirms pagrieziet slēdzi D uz vēlamo darba režīmu, līdz tas nofiksējas
  - tad pagrieziet slēdzi E uz vēlamo darba režīmu  
1 = parastā urbšana/skrūvēšana  
2 = triecienurbšana  
3 = kalšana
- **! sākt strādāt tikai tad, kad slēdzis D ir nobloķēts**
  - lai ar šo instrumentu veiktu urbšanu kokā, metālā un plastmasā, kā arī skrūvju ieskrūvēšanu, jāizmanto atbilstošs adaptors (skatīt: Praktiski padomi)
  - perforatora triecienmehānisms tiek aktivēts, izdarot vieglu spiedienu uz instrumentu, kad tā urbja gals pieskaras apstrādājamajam priekšmetam augstu triecienurbšanas kvalitāti var panākt, izdarot tikai vieglu
  - lai āmura mehānisms sasniegtu pilnu trieciena spēku, ir nepieciešams neilgs laiks
  - darba laikā pārlietu nespiediet instrumentu; ļaujiet tam darboties nominālā režīmā
- Darbinstrumentu nomaīņa ⑦  
**! pirms SDS+ darbinstrumenta iestiprināšanas notīriet un ieeļļojiet to**
  - pavelciet fiksējošo uznavu F ② virzienā uz instrumenta aizmuguri un ievietojiet darbinstrumenta kātu, to nedaudz pagrozot, SDS+ sistēmas urbjpatronā, līdz tas automātiski nofiksējas
  - pārbaudiet darbinstrumenta fiksāciju, nedaudz to pavelkot ārā no urbjpatronas
  - lai izņemtu darbinstrumentu no urbjpatronas, pavelciet fiksējošo uznavu F virzienā uz instrumenta aizmuguri
- **! SDS+ sistēmas darbinstrumentiem piemīt īpatnība, ka, instrumentam darbojoties tukšgaitā, urbjpatronā iestiprinātais darbinstruments rotē ar zināmu radiālu ekscentritāti; taču tas neietekmē urbumu precizitāti, jo urbšanas laikā darbinstruments automātiski centrējas**
- **! neizmantojiet darbinstrumentus/kaltus ar bojātu kātu**
- Pārslodzes sajūgs  
Ja darba gaitā darbinstruments iestrēgst urbumā, perforatora darbvārpstas piedziņa automātiski tiek pārtraukta
  - nekavējoties izslēdziet instrumentu
  - atbrīvojiet iestrēgušo darbinstrumentu
  - atkal ieslēdziet instrumentu
- Urbšanas dziļuma iestādīšana ⑧

- Instrumenta turēšana un vadīšana ⑨  
**! darba laikā vienmēr turiet instrumentu aiz pelēkās krāsas noturvirsmas(ām)**
  - vienmēr izmantojiet papildrokturi G ② (tā stāvoklis ir regulējams, kā parādīts attēlā)
  - nenosprostojiet instrumenta ventilācijas atveres H ②


## PRAKTISKI PADOMI

- Lietojiet tikai tādus darbinstrumentus, kuru tips atbilst apstrādājamajam materiālam ⑩  
**! lietojiet tikai asus darbinstrumentus/kaltus**
- Lai veiktu urbšanu kokā, metālā un plastmasā, kā arī skrūvju ieskrūvēšanu, izmantojiet atbilstošu adapteru (SKIL papildpiederums 2610395660) ⑪
  - pirms pievienošanas adapteru notīriet un nedaudz ieeļļojiet
  - pavelciet fiksējošo uznavu F ② virzienā uz instrumenta aizmuguri un iestipriniet savienotos adapteru, tos nedaudz pagrozot, SDS+ sistēmas urbjpatronā, līdz adapters automātiski nofiksējas
  - pārbaudiet adaptera fiksāciju, nedaudz to pavelkot ārā no urbjpatronas
  - ar pārslēdzēja D ② palīdzību iestādiat urbšanas režīmu (**darba režīma pārslēgšanas brīdī instrumentam obligāti jābūt izslēgtam un elektrokabeļa kontaktdakša ir atvienota no elektrotīkla**)
- Melno metālu urbšana
  - ja nepieciešams izveidot liela diametra urbumu, vispirms ieurbiet mazāka izmēra atvērums
  - laiku pa laikam ieeļļojiet urbi
- Veicot skrūves ieskrūvēšanu tuvu koka priekšmeta vai konstrukcijas malai, vispirms ieteicams ieurbt atvērums, lai novērstu koksnes plaisāšanu
- Urbumu veidošana koksnē bez apstrādājamā materiāla plaisāšanas ⑫
- Urbumu veidošana sienās, vienlaicīgi savācot urbšanas rezultātā radušos grūžus ⑬
- Urbumu veidošana griestos, vienlaicīgi savācot urbšanas rezultātā radušos grūžus ⑭
- Urbumu veidošana flīzēs, nepieļaujot to plaisāšanu ⑮
- Papildu ieteikumi ir sniegti datortīkla vietnē [www.skil.com](http://www.skil.com)

## APKALPOŠANA / APKOPE

- Šis darbarīks nav paredzēts profesionālai lietošanai
- Neatveriet instrumenta korpusu pašā spēkiem ⑯
- Uzturiet tīru instrumentu un elektrokabeli (īpaši ventilācijas atveres H ②)  
**! pirms instrumenta tīrīšanas atvienojiet to no elektrotīkla**
- Ja, neraugoties uz augsto izgatavošanas kvalitāti un rūpīgo pērcražošanas pārbaudi, instruments tomēr sabojājas, tas jānogādā remontam firmas SKIL pilnvarotā elektroinstrumentu remonta darbnīcā
  - nogādājiet instrumentu **neizjauktā veidā** kopā ar iegādes dokumentiem tuvākajā tirdzniecības vietā vai firmas SKIL pilnvarotā piegādes apkalpošanas un remonta iestādē (adreses un instrumenta apkalpošanas shēma ir sniegta interneta vietnē [www.skil.com](http://www.skil.com))

# APKĀRTĒJĀS VIDES AIZSARDZĪBA

- **Neizmetiet elektroiekārtas, piederumus un iesaiņojuma materiālus sadzīves atkritumos** (tikai ES valstīm)
  - saskaņā ar Eiropas Savienības direktīvu 2012/19/ES par nolietotajām elektriskajām un elektroniskajām iekārtām un tās atspoguļojumiem nacionālajā likumdošanā, nolietotās elektroiekārtas ir jāsavāc, jāizjauca un jānogādā atseļīgai pārstrādei apkārtējai videi nekaitīgā veidā
  - īpašs simbols  atgādina par nepieciešamību izstrādājumus utilizēt videi nekaitīgā veidā

## ATBILSTĪBAS DEKLARĀCIJA

- Mēs ar pilnu atbildību paziņojam, ka šis izstrādājums atbilst standartiem vai standartizācijas dokumentiem EN 60745, EN 61000, EN 55014 un ir saskaņā ar direktīvām 2004/108/EK, 2006/42/EK, 2011/65/ES
- **Tehniskā dokumentācija no:** SKIL Europe BV (PT-SEU/ENG1), 4825 BD Breda, NL

Marijn van der Hoofden  
Operations & Engineering

Olaf Dijkgraaf  
Approval Manager



SKIL Europe BV, 4825 BD Breda, NL

09.12.2013

## TROKSNIS/VIBRĀCIJA


- Saskaņā ar standartu EN 60745 noteiktais instrumenta radītā trokšņa skaņas spiediena līmenis ir 95 dB(A) un skaņas jaudas līmenis ir 106 dB(A) (pie tipiskās izkliedes 3 dB), un vibrācijas paātrinājums ir \*  $m/s^2$  (roku-delnu metode; izkliede K = 1,5  $m/s^2$ )
    - \* veicot triecienurbšanu betonā 17,0  $m/s^2$
    - \* veicot izciršanu 16,0  $m/s^2$
  - Vibrācijas līmenis ir noteikts, izmantojot standartā EN 60745 paredzēto procedūru; to var izmantot, lai salīdzinātu instrumentus un provizoriski izvērtētu vibrācijas iedarbību, lietojot instrumentu minētajiem mērķiem
    - instrumenta izmantošana citiem mērķiem vai ar citiem vai nepietiekami koptiem piederumiem var ievērojami **paliecināt** kopējo vibrācijas iedarbības pakāpi
    - laika periodi, kad instruments ir izslēgts vai arī ir ieslēgts, taču darbs ar to nenotiek, var ievērojami **samazināt** kopējo vibrācijas iedarbības pakāpi
- ! pasargājiet sevi no vibrācijas iedarbības, veicot instrumenta un tā piederumu tehnisko apkopi, novēršot roku atdzišanu un pareizi organizējot darbu**

LT

## Perforatorius

1766

### ĪVADAS

- Šis įrankis skirtas smūginiam betono, plytų ir akmenų gręžimui, o taip pat lengviems kirtimo darbams; gręžiant medieną, metalą, keramiką bei plastmasę ar sukant varžtus, reikia naudoti specialią papildomą įrangą
- Šio prietaiso smūginė gręžimo sistema, gręžiant betoną, yra daug pranašesnė, nei bet kurio smūginio gręžtuvo
- Su šiuo prietaisu galima naudoti visą standartinę SDS+ sistemą papildomą įrangą
- Šis prietaisas neskirtas profesionaliam naudojimui
- Perskaitykite ir išsaugokite šią naudojimo instrukciją 

### TECHINĖS CHARAKTERISTIKOS


- \*) Smūgio energija pagal EPTA-Procedure 05/2009 -> reikšmė dar nepateikta

### PRIETAISO ELEMENTAI

- A Įjungimo ir išjungimo jungiklis
- B Ratukas maksimalių sukčių reguliavimui
- C Išjungimo mygtukas
- D Darbo režimų perjungiklis
- E Antrasis darbo režimų perjungiklis
- F Užraktinis žiedas
- G Pagalbinė rankena
- H Ventilacinės angos
- J Gylio ribotuvas

## SAUGA

### BENDROSIOS DARBO SAUGOS INSTRUKCIJOS

** DĖMESIO! Perskaitykite visas šias saugos nuorodas ir reikalavimus.** Jei nepaisysite žemiau pateiktų saugos nuorodų ir reikalavimų, gali trenkti elektros smūgis, kilti gaisras ir/arba galite sunkiai susižaloti arba sužaloti kitus asmenis. **Išsaugokite šias saugos nuorodas ir reikalavimus, kad ir atetyje galėtumėte jais pasinaudoti.** Toliau pateiktame tekste vartojama sąvoka "elektrinis įrankis" apibūdina įrankius, maitinamus iš elektros tinklo (su maitinimo laidu), ir akumuliatorinius įrankius (be maitinimo laido).

#### 1) DARBO VIETOS SAUGUMAS

- a) **Darbo vieta turi būti švari ir tvarkinga.** Tinkama ar blogai apšviesta darbo vieta gali tapti nelaimingų atsitikimų priežastimi.
- b) **Nedirbkite tokioje aplinkoje, kur yra degių skysčių, dujų ar dulkių.** Elektriniai įrankiai gali kibirkščiuoti, o nuo kibirkščių dulksės arba susikaupę garai gali užsidegti.
- c) **Dirbdami su elektriniu įrankiu neleiskite šalia būti žiūrovams, vaikams ir lankytojams.** Nukreipę dėmesį į kitus asmenis galite nebesuvaldyti prietaiso.

#### 2) ELEKTROSAUGA

- a) **Maitinimo laido kištukas turi atitikti tinklo rozetės tipą.** Kištuko jokių būdų negalima modifikuoti. Nenaudokite jokių kištuko adapterių su žemintais

- prietaisais. Originalūs kištukai, tiksliai tinkantys elektros tinklo rozetei, sumažina elektros smūgio pavojų.
- b) Venkite kūno kontakto su įžemintais paviršiais, tokiais kaip vamzdžiai, šildytuvai, viryklės ar šaldytuvai. Egzistuoja padidinta elektros smūgio rizika, jei Jūsų kūnas bus įžemintas.
  - c) Saugokite prietaisą nuo lietaus ir drėgmės. Jei vanduo patenka į elektrinį prietaisą, padidėja elektros smūgio rizika.
  - d) Nenaudokite maitinimo laido ne pagal paskirtį, t. y. neneškite prietaiso paėmę už laido, nekabinkite prietaiso už laido, netraukite už jo, norėdami išjungti kištuką iš rozetės. Laidą klokite taip, kad jo neveiktų karštis, jis neišsitemptų alyva ir jo nepažeistų aštrios detalės ar judančios prietaiso dalys. Pažeisti arba susipynę laidai gali tapti elektros smūgio priežastimi.
  - e) Jei su elektriniu įrankiu dirbate lauke, naudokite tik tokius ilginio kabelius, kurie tinka lauko darbams. Naudojant lauko darbams pritaikytus ilginio kabelius, sumažinamas elektros smūgio pavojus.
  - f) Jei su elektriniu įrankiu neišvengiamai reikia dirbti drėgnoje aplinkoje, naudokite įžeminimo grandinės pertraukiklį. Naudojant įžeminimo grandinės pertraukiklį, sumažėja elektros smūgio pavojus.
- ### 3) ŽMONIŲ SAUGA
- a) Būkite atidūs, sutelkite dėmesį į tai, ką Jūs darote ir, dirbdami su elektriniu įrankiu, vadovaukitės sveiku protu. Nedirbkite su prietaisu, jei esate pavargę arba vartojote narkotikus, alkoholį ar medikamentus. Akimirksnio neatidumas naudojant prietaisą gali tapti rimtų sužalojimų priežastimi.
  - b) Naudokite asmenines apsaugos priemones ir visuomet užsidėkite apsauginius akinius. Naudojant asmenines apsaugos priemones, pvz., respiratorių ar apsauginę kaukę, neslystančius batus, apsauginį šalną, klausos apsaugos priemones ir kt., rekomenduojamas dirbant su tam tikros rūšies įrankiais, sumažėja rizika susižeisti.
  - c) Saugokitės, kad neįjungtumėte prietaiso atsitiktinai. Prieš prijungdami elektrinį įrankį prie elektros tinklo ir/arba akumulatoriaus, prieš pakeldami ar nešdami įsitikinkite, kad jis yra išjungtas. Jeigu nešdami elektrinį įrankį pirštą laikysite ant jungiklio arba prietaisą įjungsitė į elektros tinklą, kai jungiklis yra įjungtas, gali įvykti nelaimingas atsitikimas.
  - d) Prieš įjungdami prietaisą pašalinkite reguliavimo įrankius arba veržlių raktus. Prietaiso besisukančioje dalyje esantis įrankis ar raktas gali tapti sužalojimų priežastimi.
  - e) Nepervertinkite savo galimybių. Dirbdami atsistokite patikimai ir visada išlaikykite pusiausvyrą. Patikima stovėseną ir tinkama kūno laikysena leis geriau kontroliuoti prietaisą netikėtose situacijose.
  - f) Dėvėkite tinkamą aprangą. Nedėvėkite plaučių drabužių ir papuošalų. Saugokite plaukus, drabužius ir pirštines nuo besisukančių prietaiso dalių. Laisvus drabužius, papuošalus bei ilgus plaukus gali įtraukti besisukančios dalys.
  - g) Jei yra numatyta galimybė prijungti dulkių nusiurbimo ar surinkimo įrenginius, visada įsitikinkite, ar jie yra prijungti ir ar teisingai

naudojami. Naudojant dulkių nusiurbimo įrenginius sumažėja kenksmingas dulkių poveikis.

#### 4) RŪPESTINGA ELEKTRINIŲ ĮRANKIŲ PRIEŽIŪRA IR NAUDOJIMAS

- a) Neperkraukite prietaiso. Naudokite Jūsų darbui tinkamą elektrinį įrankį. Su tinkamu elektriniu įrankiu Jūs dirbsite geriau ir saugiau, jei neviršysite nurodyto galimumo.
  - b) Nenaudokite elektrinio įrankio su sugedusiu jungikliu. Elektrinis įrankis, kurio nebegalima įjungti ar išjungti, yra pavojingas ir jį reikia remontuoti.
  - c) Prieš reguliuodami prietaisą, keisdami darbo įrankius ar prieš valydami prietaisą, iš elektros tinklo lizdo ištraukite kištuką ir/arba išimkite akumulatorių. Ši saugumo priemonė apsaugos jus nuo netikėto prietaiso įsijungimo.
  - d) Nenaudojamą prietaisą sandėliuokite vaikams ir nemokantiems juo naudotis asmenims neprieinamoje vietoje. Elektriniai įrankiai yra pavojingi, kai juos naudoja nepatyrę asmenys.
  - e) Rūpestingai prižiūrėkite prietaisą. Tikrinkite, ar besisukančios prietaiso dalys tinkamai veikia ir niekur nekliūva, ar nėra sulūžusių ar šiaip pažeistų dalių, kurios įtakotų prietaiso veikimą. Prieš vėl naudojant prietaisą pažeistos prietaiso dalys turi būti suremontuotos. Daugelio nelaimingų atsitikimų priežastis yra blogai prižiūrimi elektriniai įrankiai.
  - f) Pjovimo įrankiai turi būti aštrūs ir švarūs. Rūpestingai prižiūrėti pjovimo įrankiai su aštriomis pjaunamosiomis briaunomis mažiau stringa ir juos yra lengviau valdyti.
  - g) Elektrinį įrankį, papildomą įrangą, darbo įrankius ir t. t. naudokite taip, kaip nurodyta šioje instrukcijoje. Taip pat atsižvelkite į darbo sąlygas bei atliekamo darbo pobūdį. Naudojant elektrinius įrankius ne pagal jų paskirtį galima sukelti pavojingas situacijas.
- #### 5) APTARNAVIMAS
- a) Prietaisą turi remontuoti tik kvalifikuotas specialistas ir naudoti tik originalius atsargines dalis. Taip galima garantuoti, jog prietaisas išlisk saugus.

#### DARBŲ SAUGOS NUORODOS DIRBANTIEMS SU PERFORATORIAIS

- Naudokite klausos apsaugos priemones (dėl triukšmo poveikio galima prarasti klausą)
- Naudokite su įrankiu pateiktas papildomas rankenas (nesuvaldžius įrankio, galima susižeisti)
- Saugokite, kad nepažeistumėte prietaiso į ruošinyje esančius varžtus, vinius ir pan; prieš pradėdami darbą juos pašalinkite
- Pasirūpinkite, kad maitinimo kabelis nebūtų arti besisukančių prietaiso dalių
- Saugiai laikykite tvirtinamą dirbinį (dirbinį, kuris segamas ar kalamas kabių kalimo įrankiais, saugiau laikyti spaustuvu nei ranka)
- Prieš padėdami prietaisą jį išjunkite ir palaukite, kol visos besisukančios juo dalys visiškai sustos
- Naudodami ilginamuosius kabelius atkreipkite dėmesį į tai, kad kabelis būtų iki galo išvyniotas ir būtų pritaikytas 16 A elektros srovei



- Atsiradus mechaninio ar elektrinio pobūdžio trukdžiams, tuojau pat išjunkite prietaisą ir ištraukite kištuką iš elektros tinklo lizdo
- SKIL gali garantuoti nepriekaištingą prietaiso veikimą tik tuo atveju, jei naudojama originali papildoma įranga ir priedai
- Leidžiama naudoti tik tokius įrankius, kurių maksimalus leistinas apsisukimų skaičius yra ne mažesnis, nei maksimalus Jūsų prietaiso sūkių skaičius
- Šį prietaisą turėtų naudoti tik asmenys, kuriems 16 ir daugiau metų
- **Naudodami tam skirtus paieškos prietaisus, patikrinkite, ar gręžimo vietoje nėra paslėptų komunalinių tinklų vamzdynų, arba pasikvieskite į pagalbą vietinius komunalinių paslaugų tiekėjus** (kontaktas su elektros laidais gali sukelti gaisro bei elektros smūgio pavojų; pažeidus dujotiekio vamzdį, gali įvykti sprogimas; pažeidus vandentiekio vamzdį, galima pridaryti daugybę nuostolių bei sukelti elektros smūgio pavojų)
- **Jei atliekate darbus, kurių metu darbo įrankis gali kliudyti paslėptus elektros laidus arba paties elektrinio įrankio maitinimo laidą, tai elektrinį įrankį laikykite už izoliuotų rankenų** (palietus laidą, kuriuo teka elektros srovė, metalinėse elektrinio įrankio dalyse gali atsirasti įtampa ir trenkti elektros smūgis)
- **Draudžiama apdirbti medžiagas, kurių sudėtyje yra asbesto** (asbestas pasižymi vėžį sukeliančiu poveikiu)
- Kai kurių medžiagų, kaip antai dažų, kurių sudėtyje yra švino, kai kurių medžių rūšių medienos, mineralų ir metalo dulkės gali būti kenksmingos (kontaktas su šiomis dulkėmis arba įkvėptos dulkės gali sukelti operatoriui arba šalia esantiems žmonėms alergines reakcijas ir/arba kvėpavimo sistemos susirgimus); **mūvėkite priešdulkinę puskaukę arba dirbdami naudokite dulkių ištraukimo įrenginį, jei jį galima prijungti**
- Kai kurių rūšių dulksės priskiriamos cancerogeninėms (pvz., ažuolo arba buko medienos dulkės), ypač susimaišiusios su medienos taurinimi naudojamais priedais; **mūvėkite priešdulkinę puskaukę arba dirbdami naudokite dulkių ištraukimo įrenginį, jei jį galima prijungti**
- Vadovaukitės Jūsų šalyje taikomų direktyvų reikalavimais, skirtais medžiagoms, su kuriomis norite dirbti
- Jei dirbant bus pažeistas ar nutrauktas kabelis, būtina neličiant kabelio tuojau pat ištraukti kištuką iš elektros tinklo lizdo
- Prietaisą su pažeistu kabeliu naudoti draudžiama; jį turi pakeisti kvalifikuotas elektrikas
- Visada patikrinkite, ar elektros tinklo įtampa sutampa su įtampos dydžiu, nurodytu prietaiso vardinėje lentelėje (prietaisus su nurodyta įtampa 230V ir 240V galima jungti į 220V įtampos elektros tinklą)
- Netikėtai užstrigus grąžtui (atsiranda pavojingos reakcijos jėgos), tuojau pat išjunkite prietaisą
- Užstrigus grąžtui (ypač gręžiant metalą) dėl prietaiso sukimo momento atsiranda reakcijos jėgos, todėl dirbdami; **visuomet naudokite pagalbinę rankeną G** ② bei patikimai stovėkite
- **Prieš reguliuojant prietaisą arba keičiant darbo įrankius, ištraukite kištuką iš el. tinklo lizdo**

## NAUDOJIMAS

- Įjungimas/išjungimas ④
- Maksimalaus sūkių skaičiaus reguliavimas ⑤
  - Ratuku B arba galima parinkti norimą maksimalų sūkių skaičių (1-6)
- Darbo režimų perjungimas ⑥
  - ! **režimus keisti galite tik prietaisui neveikiant kai elektros laido kištukas yra ištrauktas iš tinklo rozetės**
    - paspauskite mygtuką C, kad išjungtumėte jungiklį D
    - pirmiausia nustatykite perjungiklį D pageidaujamo darbo režimu, kol išgirsite spragtelėjimą
    - paskui nustatykite perjungiklį E pageidaujamo darbo režimu
      - 1 = normalus gręžimas ir varžtų sukimas
      - 2 = smūginis gręžimas
      - 3 = kalimas
  - ! **darbą pradėkite tik tuomet, kai jungiklis D bus išjungtas**
    - medienai, plienui ir plastmasei normaliai gręžti ir varžtams sukti naudokite atitinkamu adapteriu (žr. Naudojimo patarimai)
    - perforatoriaus smūginis mechanizmas įsijungia tuomet, kai, įjungę prietaisą, grąžtą lengvai prispaudžiame prie ruošinio
    - kol smūginis mechanizmas pasiekia didžiausią smūgių galią, turi praeiti šiek tiek laiko
    - nespauskite prietaiso pernelyg stipriai; tegul prietaisas dirba už Jus
- Antgalio pakeitimas ⑦
  - ! **prieš įdėdami SDS+ įrankį, jį nuvalykite ir šiek tiek sutepkite**
    - užraktinį žiedą F ② patraukite atgal ir sukdami įrankį įstatykite į SDS+ gręžimo griebtuvą ir įstumkite, kol jis užsifiksuos; įrankis užsifiksuoja savaime
    - patraukdami įrankį patikrinkite, ar jis tinkamai užsifiksavo
    - įrankį išimkite užraktinį žiedą F patraukę atgal
  - ! **SDS+ įrankis turi judėti laisvai, todėl sukdamas laisvąja eiga jis gali šiek tiek klibėti, bet gręžimo metu įrankis savaime centruojasi; tai neturi jokios įtakos gręžiamos skylės tikslumui**
  - ! **ne naudokite antgalių/tinkamo su pažeistu kotu**
- Apsauginė sankaba
  - Jei grąžtas užstringa, sukamojo judesio perdavimas sukliui yra nutraukiamas
    - tuojau pat išjunkite prietaisą
    - išimkite užstrigusį įrankį
    - vėl įjunkite prietaisą
- Gręžimo gylio nustatymas ⑧
- Prietaiso laikymas ir valdymas ⑨
  - ! **dirbdami laikykite prietaisą už pilkos spalvos suėmimo vietos(-ų)**
    - visuomet naudokite pagalbinę rankeną G ② (virtinti, kaip parodyta pav.)
    - ventiliacines angas H ② laikykite neuždengtas

## NAUDOJIMO PATARIMAI

- Naudokite tinkamus darbo antgalius ⑩
  - ! **naudokite tik aštirus antgalius/tinkamo tipo grąžtus ir kaltus**

- Gręžiant plieną, medieną bei plastmasę ar sukant varžtus reikia naudoti atitinkamu adapteriu (SKIL papildoma įranga 2610395660) <sup>(11)</sup>
  - prieš įstatydami adapterį jį nuvalykite ir šiek tiek sutepkite
  - užraktinį žiedą F <sup>(2)</sup> patraukite atgal ir adapterį sukdami įstatykite į SDS+ griebtuvą ir įstumkite, kol jis užsifiksuos; adapteris užsifiksuoja automatiškai
  - patraukdami adapterį patikrinkite, ar jis tinkamai užsifiksuavo
  - perjungiklį D <sup>(2)</sup> nustatykite į normalaus gręžimo padėtį (**galima perjungti tik prietaisui neveikiant ir elektros laido kištukas yra ištrauktas iš tinklo rozetės**)
- Gręžiant metalą
  - jei reikia gręžti didelio skersmens skylę, prieš tai išgręžkite mažą skylutę
  - retkarčiais patepkite gražtą alyva
- Prieš sukant varžtą medinio ruošinio pakraštyje, visų pirma reikia išgręžti skylutę, kad medis nesuskiltų
- Medžio gręžimas be atplaišų <sup>(12)</sup>
- Mūro sienos gręžimas be dulkių <sup>(13)</sup>
- Lubų gręžimas be dulkių <sup>(14)</sup>
- Plytelių gręžimas be įskilimų <sup>(15)</sup>
- Daugiau patarimų rasite internete [www.skil.com](http://www.skil.com)

## PRIEŽIŪRA / SERVISAS

- Šis prietaisas neskirtas profesionaliam naudojimui
- Prietaiso niekuomet neardykite patys <sup>(16)</sup>
- Periodiškai valykite prietaisą ir kabelį (ypač ventiliacines angas H <sup>(2)</sup>)
  - ! prieš valydami ištraukite kištuką iš elektros tinklo lizdo
- Jeigu prietaisas, nepaisant gamykloje atliktamo kruopštaus gamybos ir kontrolės proceso, vis dėlto sugestų, jo remontas turi būti atliekamas įgaliotose SKIL elektrinių įrankių remonto dirbtuvėse
  - **neišardyta** prietaisą kartu su pirkimo čekiu siųskite tiekėjui arba į artimiausią SKIL firmos įgaliotą elektros prietaisų techninio aptarnavimo tarnybą (adresus bei atsarginių dalių brėžinius rasite [www.skil.com](http://www.skil.com))

## APLINKOSAUGA

- **Nemeskite elektrinių įrankių, papildomos įrangos ir pakuočių į buitinių atliekų konteinerius** (galioja tik ES valstybėms)
  - pagal ES Direktyvą 2012/19/EG dėl naudotų elektrinių ir elektroninių prietaisų atliekų utilizavimo ir pagal vietinius valstybės įstatymus atitarnavę elektriniai įrankiai turi būti surenkami atskirai ir gabenami į antrinių žaliavų tvarkymo vietas, kur jie turi būti sunaikinami ar perdirbami aplinkai nekenksmingu būdu
  - apie tai primins simbolis <sup>(17)</sup>, kai reikės išmesti atitarnavusį prietaisą

## ATITIKTIES DEKLARACIJA <sup>CE</sup>

- Mes atsakingai pareiškiame, kad šis gaminytis atitinka tokius standartus ir normatyvinius dokumentus: EN 60745, EN 61000, EN 55014 pagal reglamentų 2004/108/EB, 2006/42/EB, 2011/65/ES nuostatas
- **Techninė byla laikoma:** SKIL Europe BV (PT-SEU/ENG1), 4825 BD Breda, NL

Marijn van der Hoofden  
Operations & Engineering

Olaf Dijkgraaf  
Approval Manager




SKIL Europe BV, 4825 BD Breda, NL

09.12.2013

## TRIUKŠMINGUMAS/VIBRACIJA

- Šio prietaiso triukšmingumas buvo išmatuotas pagal EN 60745 reikalavimus; keliamo triukšmo garso slėgio lygis siekia 95 dB(A) ir akustinio galingumo lygis 106 dB(A) (standartinis nuokrypis: 3 dB), ir vibracijos pagreitis rankos plaštakos srityje tipiniu atveju yra mažesnis, kaip
  - \*  $m/s^2$  (paklaida  $K = 1,5 m/s^2$ )
  - \* gręžiant betoną smūginiu režimu 17,0  $m/s^2$
  - \* kirtimo režimu 16,0  $m/s^2$
- Vibracijos sklaidos lygis išmatuotas pagal standarte EN 60745 išdėstytus standartizuoto bandymo reikalavimus; ši vertė gali būti naudojama vienam įrankiui palyginti su kitu bei išankstiniam vibracijos poveikiui įvertinti, kai įrankis naudojamas paminėtais būdais
  - naudojant įrankį kitokiais būdais arba su kitokiais bei netinkamai prižiūrimais priedais, gali žymiai **padidėti** poveikio lygis
  - laikotarpiams, kai įrankis išjungtas arba yra įjungtas, tačiau juo nedirbama, gali žymiai **sumažėti** poveikio lygis
- ! **apsisaugokite nuo vibracijos poveikio prižiūredami įrankį ir jo priedus, laikydami rankas šiltai ir derindami darbo ciklus su pertraukėlėmis**

MK

## Ударна дупчалка

1766

## УПАТСТВО

- Овој алат е наменет за дупчење во бетон, цигли и камен, како и лесно длабење; дупчење во дрво, метал и пластика, како и навртување, со помош на посебен прибор
- Системот за ударно дупчење кој го има овој алат, овозможува прескокнување на традиционалното, макотрпно дупчење во бетон
- Овој алат поддржува употреба на сите стандардни SDS+ прибори
- Овој алат не е наменет за професионална употреба
- Внимателно прочитајте го и зачувајте го ова упатство за ракување <sup>(3)</sup>

## ТЕХНИЧКИ СПЕЦИФИКАЦИИ ①

- \* Ударна енергија по удар според процедурата ЕРТА 05/2009 -> вредноста не е достапна

## ЕЛЕМЕНТИ НА АЛАТОТ ②

- A Прекинувач за вклучување/исклучување и контрола на брзината
- B Тркалце за контрола на максималната брзина
- C Копче за отклучување
- D Прекинувач за избор на режимот на работата
- E Втор прекинувач за избор на режимот на работата
- F Глава за стегање
- G Дополнителна рачка
- H Отвори за вентилација
- J Граничник за длабочина

## БЕЗБЕДНОСТ

### ОПШТИ УПАТСТВА ЗА БЕЗБЕДНОСТ

**⚠ ПРЕДУПРЕДУВАЊЕ!** Сите упатства мора да се прочитаат. Непочитување на долу наведените упатства може да предизвика струен удар, пожар и/или тежки повреди. **Чувајте ги сите предупредувања и напатствија за во иднина.** Поимот “електричен алат”, кој се користи во понатамошниот текст, се однесува на вашиот електричен алат (со приклучен кабел) и на електрични алати со погон на батерии (без приклучен кабел).

### 1) БЕЗБЕДНОСТ НА РАБОТНОТО МЕСТО

- a) **Одржувајте го вашето работно место чисто и уредно.** Неуреден или темен работен простор може да предизвикаат незгоди.
- b) **Немојте да работите со уредот во средина во која има опасност од експлозија, во која има запалливи течности, гасови и прашина.** Електричните алати произведуваат искри кои можат да запалат прашина или пареа.
- c) **За време на употребата на електричниот алат, децата и останатите лица држете ги подалек од местото на работите.** Одвркање, би можеле да изгубите контрола врз уредот.

### 2) ЕЛЕКТРИЧНА СИГУРНОСТ

- a) **Утикач мора да одговара на приклучокот. Никане не смее да се прават измени на штекерот. Не користете адаптерски штекер заедно со уредот кој е заштитно заземјен.** Не променети штекери и соодветни приклучоци го намалуваат ризикот од електричен удар.
- b) **Избегнувајте допир на телото со заземјени површини, како што се цевки, радијатори, рерни и фрижидери.** Постои зголемена опасност од струен удар, доколку Вашето тело е заземјено.
- c) **Чувајте го уредот подалек од дожд и влага.** Продирањето на вода во електричниот уред ја зголемува опасноста од струен удар.
- d) **Не злоупотребувајте го приклучниот кабел за носење, бесење на уредот или за извлекување на штекерот од мрежниот приклучок. Чувајте го кабелот подалек од топлина, масло, остри**

**рабови или деловите на апаратот кои се движат.** Оштетени или заплеткани кабли ја зголемуваат опасноста од струен удар.

- e) **Кога го употребувате полначот надвор, користете продолжен кабел кој е соодветен за употреба на отворен простор.** Примената на продолжен кабел соодветен за работа на отворен простор ја намалува опасноста од струен удар.
  - f) **Доколку не може да се избегне работа со електричниот алат во влажна средина, користете прекинувач за струјна заштита при технички проблеми.** Употребата на прекинувачот за струјна заштита при технички проблеми го намалува ризикот од електричен удар.
- ### 3) БЕЗБЕДНОСТ НА ЛУЃЕ
- a) **Бидете внимателни, внимавајте што правите и постапувајте внимателно додека работите со електричниот алат. Не работете со уредот доколку сте уморни или под дејство на дрога, алкохол или лекови.** Еден момент на невнимание при употребата може да доведе до сеиозни повреди.
  - b) **Носете ја личната заштитна опрема и секогаш носете заштитни очила.** Носењето на личната заштитна опрема, како што е маската за прашина, безбедносната облека која не се лизга, заштитен шлем или штитник за слух, зависно од видот и примената на електричниот алат, ја намалува опасноста од повреда.
  - c) **Избегнувајте невнимателно вклучување за време на работата. Осигурајте се прекинувачот да биде во “OFF” позиција пред да го ставите штекерот во приклучокот.** Доколку го носите електричниот алат со прстот на прекинувачот или го приклучувате апаратот кој е приклучен со напојување на струја, може да предизвикате незгоди.
  - d) **Пред вклучување на уредот, тргнете ги алатите за подесување или клучот за навртување.** Алатот или клучот кој се наоѓа во вртливиот дел на уредот, може да предизвика незгода.
  - e) **Не ги преценувајте своите способности. Завземете сигурен и стабилен став и во секој момент одржувајте рамнотежа.** На тој начин можете подобро да го контролирате уредот во неочекувани ситуации.
  - f) **Носете соодветна облека. Не носете широка облека или нажит. Косата, облеката и раванците држете ги подалек од деловите кои се движат.** Комотната облека, нажитот или долгата коса може да бидат фатени во деловите кои се движат.
  - g) **Доколку може да се монтираат направи за вшмукување и фаќање прашина, проверете дали се вклучени и дали можат исправно да се користат.** Примената на овие направи ја намалува опасноста од прашината.
- ### 4) ВНИМАТЕЛНА УПОТРЕБА И РАКУВАЊЕ СО ЕЛЕКТРИЧНИТЕ АЛАТИ
- a) **Не го преоптеретувајте уредот. При вашата работа користете го предвидениот електричен алат за таа употреба. Со соодветниот електричен**

алат ќе работите подобро и посигурно во наведената функционална област.

- b) **Не користете електричен алат чиј прекинувач е неисправен.** Електричниот алат кој повеќе не може да се вклучува и исклучува е опасен и мора да се поправи.
- c) **Извлечете го штекерот од приклучокот пред извршување на било какви подесувања на апаратот, замена на приборот или складирање.** Со овие мерки на внимателност ќе се избегне невнимателното вклучување на уредот.
- d) **Тргнете го електричниот алат кој не го користите од допирот на децата. Не допуштајте работа со уредот на лица кои не се запознаени со него или кои го немаат прочитано ова упатство.** Електричните алати се опасни доколку со нив работат неискусни лица.
- e) **Одржувајте го уредот со внимание. Имајте контрола околу тоа дали движечните делови на уредот работат беспрекорно и дали не се заглавени, дали деловите се скриени или оштетени до таа мерка што не може да се обезбеди функционирање на уредот. Пред примената, овие оштетени делови треба да се поправат.** Причина за многу незгоди е лошо одржуваниот електричен алат.
- f) **Алатите за сечење одржувајте ги остри и чисти.** Внимателно одржуваните алати за сечење со остри очтрици помалку ќе се заглавуваат и со нив работата ќе биде полесна.
- g) **Електричниот алат, прибор, работни алати итн., треба да ги користите според овие упатства, и на начин кој е опишан за соодветниот тип на уред. При тоа, земете ги предвид работните услови и работата која се извршува.** Употребата на електричните алати за други цели кои не се предвидени, може да предизвика опасни ситуации.

## 5) СЕРВИСИРАЊЕ

- a) **Поправката на Вашиот уред препуштете им ја само на обучен, стручен кадар на овластен сервисер, и само со оригиналните резервни делови.** На тој начин ќе се обезбеди уредот да остане со зачувана безбедност.

## БЕЗБЕДНОСНИ УПАТСТВА ЗА УДАРНИ ДУПЧАЛКИ

- **Носете заштита за ушите** (изложеност на тие звуци и бука, може да доведе до трајно оштетување на слухот)
- **Користете ги страничните дршки кои се испорачуваат заедно со машината** (губењето на контрола може да доведе до повреди)
- Избегнувајте оштетувања од штрафови, шајки и други предмети во местото каде работите; тргнете ги пред да почнете со работа
- Кабелот секогаш држете го подалеку од деловите на алатот кои се движат
- **Зацврстете го материјалот кој го обработувате** (обработка која е зацврстена со стеги или во менгеме е побезбедна отколку да ја држите со раце)
- Кога ќе ја завршите работата со алатот, исклучете го моторот и проверете дали сите подвижни делови се застанати

- Продолжениот кабел кој го користите, мора да биде сосема одмотан и безбеден, со капацитет од 16 A
- Во случај да дојде до електричен или механички дефект, веднаш исклучете го алатот и исклучете го од приклучокот
- SKIL може да признае гаранција само доколку е користен оригинален прибор
- Користете само прибор чија дозволена брзина е во најмала рака еднаква на најголемата брзина при празен од на електричниот алат
- Овој алат не треба да го користат лица под 16 години
- **Користете соодветни детектори за наоѓање на скриени инсталации или повикајте соодветна компанија за помош** (контактот со електричните линии може да доведе до струен удар; оштетувањата во гасоводна цевка може да резултира со експлозија; пенетрирање во водоводна инсталација може да доведе до оштета на предмети или електричен удар)
- Фаќајте го електричниот алат само со изолирани фаќалки, доколку изведувате работи, кај приборот може да се сретнат скриени струјни водови или сопствениот мрежен кабел (контакт со вод кој спроведува напон ги става и металните делови на електричниот алат под напон и доведува до електричен удар)
- **Не обработувајте никанов материјал кој содржи азбест** (азбестот важи за предизвикувач на рак)
- Прашината од материјали како боја која содржи олово, некои видови дрво, минерали и метали, може да биде штетна за здравјето (контактот со прашина или нејзиното вдишување може да предизвика алергии и/или болести на дишните органи за оној кој работи со алатот или луѓето во близина); **носете маска за прашина и работете со правосмукални доколку можете да ги поврзете**
- Некои видови на прашина се канцерогени (како на пример прашина од даб или бука), особено заедно со адитиви за одржување на дрвото; **носете маска за прашина и работете со правосмукални доколку можете да ги поврзете**
- Следете ги процедурите на вашата земја за прашина која се јавува како резултат од материјалите со кои работите
- Ако кабелот се оштети или пресече за време на работата, веднаш исклучете го и не го допирајте
- Никогаш не користете алат ако кабелот е оштетен; замената на кабелот мора да ја изврши стручно лице
- Секогаш проверувајте напонот да е ист со оној кој е назначен на плочката на алатот (алатите за напон од 230V или 240V исто така може да се поврзат и на напон од 220V)
- Во случај на ненадејна блокада на бургинјата, со создавање на повратни сили кај алатот, веднаш треба да го исклучите алатот
- Внимавајте на создадените сили кај алатот, за време на блокадата (особено при дупчење метал); **алатот секогаш да се држи за страничната дршка G ② и да се завземе сигурен став**
- **Обезбедете се алатот да е исклучен од струја пред да вршите било какво подесување или замена на приборот**

## УПОТРЕБА

- Вклучено/Исклучено ④
- Контрола на максималната брзина ⑤  
Со тркалото В максималната брзина може да се приспособи од ниска до висока (1-6)
- Подесување на режимот за работа ⑥  
**! подесувањето на режимот на работа се врши само кога алатот е исклучен и приклучокот е изваден од струја**
  - притиснете го копчето С за да откочите прекинувачот D
  - најпрво подесете го прекинувачот D на саканиот режим додека не кликне во положбата
  - потоа подесете го прекинувачот E на саканиот режим
    - 1 = нормално дупчење/навртување
    - 2 = вибрациско дупчење
    - 3 = длабење
- ! почнете со работа само ако прекинувачот D е заклучен**
  - при дупчење во дрво, метал и пластика, како и навртување, користете соодветен адаптер (погледнете: Совети за примена)
  - механизмот за ударно дупчење се активира со благ притисок на алатот, додека сврделот се наоѓа во допир со материјалот кој се обработува
  - треба малку време додека механизмот со чеканот не достигне целосна моќност за удирање
  - не притискајте премногу со алатот; дозволете тој сам да работи
- Промена на бургите ⑦  
**! исчистете го и намачкајте го SDS+ приборот со масло пред да го вметнете**
  - повлечете ја главата за стегање F ② на назад и вметнете го приборот во SDS+ главата, вртете ја и туркајте го приборот додека не го затегнете; приборот сам се затегнува автоматски
  - повлечете го приборот за да проверите дали е цврсто стегнат
  - извадете го приборот, така што ќе а повлечете на назад главата за стегање F
- ! SDS+ приборот бара неограничена слобода на движењето, која предизвикува ексцентрична работа со алатот во празен од; за време на работата, таа сама се центрира; ова нема влијание врз прецизноста на дупчењето на отворот**  
**! не употребувајте оштетени бургии/длета**
- Безбедносен механизам  
За време на блокадата на приборот, се прекинува и работата на вретеното
  - веднаш исклучете го алатот
  - отстранете го блокираниот прибор
  - одново вклучете го алатот
- Приспособување на длабочината на дупчењето ⑧
- Држење и насочување на алатот ⑨  
**! додена работите, секогаш држете го алатот за местото (местата) кое (кои) се означени со сива боја**

- алатот секогаш држете го за страничната дршка G ② (може да се приспособува, како на цртежот)
- отворите за ладење H ② држете ги отворени

## СОВЕТИ ЗА ПРИМЕНА

- Користете соодветни бургии ⑩  
**! употребувајте само остри бургии/длета**
- При дупчење во дрво, метал и пластика, како и навртување, употребувајте соодветен адаптерот (SKIL прибор 2610395660) ⑪
  - исчистете го и намачкајте го адаптерот со масло пред да го вметнете
  - повлечете ја главата за стегање F ② на назад и вметнете го адаптерот во SDS+ главата, вртете ја и притискајте го адаптерот додека не го стегнете; адаптерот автоматски, сам се затега
  - повлечете го адаптерот за да проверите дали е цврсто стегнат
  - подесете го прекинувачот D ② за нормално дупчење (**подесувањето се врши само кога алатот е исклучен и приклучокот е изваден од струја**)
- При дупчење во метал
  - најпрво издупчете помала дупка, кога сакате да издупчите поголема дупка
  - бургијата подмачкувајте ја со масло од време на време
- При навртување на штрафовите на краевите на дрвото, прво треба да се издупчи мала дупка за да се избегне разлитување на дрвото
- Дупчење на дрво без разлитување ⑫
- Дупчење на дрво без прашина ⑬
- Дупчење на таван без прашина ⑭
- Дупчење на плочки без лизгање ⑮
- Многу други совети можете да најдете на [www.skil.com](http://www.skil.com)

## ОДРЖУВАЊЕ/СЕРВИСИРАЊЕ

- Овој алат не е наменет за професионална употреба
- Никогаш не отворајте ја машината сами ⑯
- Алатот и кабелот секогаш да се одржуваат чисти (особено отворите за ладење H ②)  
**! пред чистење извадете го алатот од приклучокот**
- Доколку алатот и покрај внимателното работење и контрола некогаш откаже, поправката мора да ја изврши некој овластен SKIL сервис за електрични алати
  - во случај на примедба, испратете го алатот **нерасклопен**, заедно со сметкопотврдата, до вашиот продавач или најблискиот SKIL сервис (адресите се наведени на [www.skil.com](http://www.skil.com))

## ЗАШТИТА НА ЖИВОТНАТА СРЕДИНА

- Не се ослободувајте од електрични алати, уреди или амбалажа преку нивно фрлање во домашното ѓубре (само за земјите на ЕУ)

- според Европската Директива 2012/19/EC за ослободување од електрична и електронска опрема и нејзина имплементација во согласност со националните закони, електричните алати кои го достигнале крајот на својот животен век мора да бидат собрани посебно и да бидат вратени во соодветен објект за рециклирање
- симболот (17) ќе ве потсетува на ова кога ќе дојде време алатот да го фрлите

## ДЕКЛАРАЦИЈА ЗА УСОГЛАСЕНОСТ CE

- Со целосната наша одговорност изјавуваме дека овој производ е во согласност со следниве стандарди или стандардизирани документи: EN 60745, EN 61000, EN 55014, во согласност со одредбите од директивите 2004/108/EG, 2006/42/EG, 2011/65/EU
- **Технично досије во:** SKIL Europe BV (PT-SEU/ENG1), 4825 BD Breda, NL

Marijn van der Hoofden  
Operations & Engineering

Olaf Dijkgraaf  
Approval Manager

SKIL Europe BV, 4825 BD Breda, NL

09.12.2013

### БУЧАВА/ВИБРАЦИИ

- Мерено во согласност со EN 60745 нивото на звучен притисок е 95 dB(A) а нивото на звучна моќност 106 dB(A) (стандардно отстапување: 3 dB), и вибрација \*  $m/c^2$  (hand-arm метода; несигурност K = 1.5  $m/c^2$ )
    - \* при ударно дупчење во бетон 17,0  $m/c^2$
    - \* при длабење 16,0  $m/c^2$
  - Нивото на емитурање на вибрации кое е наведено на задниот дел на ова упатство е измерено во согласност со стандардизираниот тест даден во EN 60745; може да се користи за да се спореди еден алат со друг, и како првична оценка за изложеноста на вибрации кога се користи алатот за споменатите примени
    - користењето на алатот за разни примени, или со различни или неправилно чувани делови, може да доведе до значајно **зголемување** на нивото на изложеност
    - кога алатот е исклучен или кога алатот е вклучен но не врши некаква работа, може да дојде до значително **намалување** на нивото а изложеност
- ! заштитете се од ефектите на вибрациите преку одржување на алатот и неговите делови, одржување на топлината во вашите раце, и организирање на вашата работа**

## Trapan çekic

1766

### HYRJE

- Kjo pajisje është e projektuar për shpime me goditje çekiçi në beton, tulla dhe gurë si dhe punë të lehta gërryerjeje; për shpim në dru, metal dhe plastikë si dhe për vidhosje; duhet të përdoren aksesorë të veçantë
- Sistemi i shpimit çekic në këtë vegël ka rendiment më të mirë se çdo trapan tradicional kur shpini në beton
- Kjo pajisje është projektuar për përdorim në ndërthurje me të gjithë aksesorët standardë SDS+
- Kjo vegël nuk është e projektuar për përdorim profesional
- Lexoni dhe ruani këtë manual të përdorimit (3)

### TË DHËNAT TEKNIKE (1)

- \*) Energjia e impaktit për goditje sipas Procedurës EPTA 05/2009 -> vlera nuk është ende e disponueshme

### ELEMENTET E PAJISJES (2)

- A Çelësi për ndezje/fikje
- B Frotat për kontrollin e shpejtësisë maksimale
- C Butoni i zhblokimit
- D Çelësi për zgjedhjen e mënyrës së funksionimit
- E Çelësi i dytë për zgjedhjen e mënyrës së funksionimit
- F Këmisha bllokuese
- G Doreza ndihmëse
- H Të çarata e ajrosjes
- J Treguesi i thellësisë

## SIGURIA

### UDHËZIMET E PËRGJITHSHME PËR SIGURINË

**⚠ PARALAJMËRIM!** Lexoni të gjitha paralajmërimet e sigurisë dhe të gjitha udhëzimet. Mosrespektimi i paralajmërimeve dhe udhëzimeve mund të rezultojë në goditje elektrike, zjarr dhe/ose dëmtime të rënda. **Ruani të gjitha paralajmërimet dhe udhëzimet për referencë në të ardhmen.** Termi "pajisje elektrike" në paralajmërimet e referohet pajisjes elektrike që përdoret nga priza (me kablo) ose pajisjes elektrike me bateri (pa kablo).

#### 1) SIGURIA E ZONËS SË PUNËS

- a) **Mbajeni zonën e punës të pastër dhe të ndriçuar mirë.** Zonat e çrregullta ose të errëta janë një ftesë për aksidente.
- b) **Mos i përdorni pajisjet elektrike në situata me mundësi shpërthimi, si në prani të lëngjeve, gazeve ose pluhurave të djegshëm.** Pajisjet elektrike shkaktojnë shkëndija që mund të ndezin pluhurat ose avujt.
- c) **Mbajini fëmijët dhe personat e tjerë larg gjatë përdorimit të veglës së punës.** Tërheqja e vëmendjes mund të shkaktojë humbjen e kontrollit.

#### 2) SIGURIA ELEKTRIKE

- a) **Spinat e veglës së punës duhet të përputhen me prizën. Mos modifikoni kurrë spinën në asnjë mënyrë. Mos përdorni asnjë spinë përshtatëse me**

- veglat e punës me tokëzim. Spinat e pamodifikuara dhe prizat përshtatëse do të zvogëlojnë rrezikun e goditjes elektrike.
- b) **Shmangni kontaktin trupor me sipërfaqe të tokëzuara si tuba, radiatorë, soba dhe frigoriferë.** Ka një rrezik më të madh të goditjeve elektrike nëse trupi është i tokëzuar.
- c) **Mos ekspozoni veglat e punës në shi ose në kushte me lagështi.** Uji që hyn në veglën e punës do të rritë rrezikun e goditjes elektrike.
- d) **Mos abuzoni me kordonin. Mos e përdorni kurrë kordonin për transportin, tërheqjen ose heqjen e spinës së veglës së punës.** Mbajeni kordonin larg nga nxehtësia, vaji, anët e mprehta ose pjesët që lëvizin. Kordonët e dëmtuar ose e bllokuar rrisin rrezikun e goditjes elektrike.
- e) **Kur përdorni një vegël pune në mjedis të jashtëm, përdorni një kordon zgjatues të përshtatshëm për përdorim në mjedis të jashtëm.** Përdorimi i një kordoni të përshtatshëm për përdorime në mjedis të jashtëm zvogëlon rrezikun e goditjes elektrike.
- f) **Nëse përdorimi i veglës së punës në një vend me lagështi është i pashmangshëm, përdorni një automat çarku me shkarkesë me tokëzim.** Përdorimi i një automati me shkarkesë me tokëzim zvogëlon rrezikun e goditjes elektrike.
- 3) SIGURIA PERSONALE**
- a) **Qëndroni në gatishmëri, shikoni se çfarë po bëni dhe përdorni gjykimin kur përdorni një vegël pune. Mos e përdorni një vegël pune kur jeni i lodhur ose nën ndikimin e ilaçeve, alkoolit ose mjekimit.** Një moment humbje e vëmendjes gjatë përdorimit të veglave të punës mund të shkaktojë dëmtime të rënda personale.
- b) **Përdorni pajisje personale mbrojtëse. Mbani gjithmonë pajisje për mbrojtjen e syve.** Pajisjet mbrojtëse si maska kundër pluhurit, këpuçet që nuk rrëshqasin, kaskat ose pajisjet për mbrojtjen e veshëve për kushtet përkatëse do të zvogëlojnë dëmtimet personale.
- c) **Parandaloni ndezjen e rastësishme. Sigurohuni që çelësi është në pozicionin fikur para se të lidhni burimin e energjisë dhe/ose baterinë, para se të merrni ose të transportoni pajisjen.** Transportimi i veglave të punës me gishtin në çelës ose aktivizimi i veglave të punës që kanë çelësin të ndezur është një ftesë për aksidente.
- d) **Hiqni çdo çelës ose çelës përshtatës para ndezjes së veglës së punës.** Një çelës i lënë i lidhur me një pjesë rrotulluese të veglës së punës mund të shkaktojë dëmtime personale.
- e) **Mos u zgjasni. Mbani një vendosje të mirë të këmbëve dhe një ekuilibër të mirë në çdo moment.** Kjo gjë bën të mundur një kontroll më të mirë të veglës së punës në situata të papritura.
- f) **Vishuni në mënyrën e duhur. Mos vishni veshje të gjera ose bizhuteri. Mbani flokët, veshjet dhe dorashkat larg nga pjesët lëvizëse.** Veshjet e gjera, bizhuteritë ose flokët e gjatë mund të kapen nga pjesët në lëvizje.
- g) **Nëse janë ofruar pajisje për lidhjen e pajisjeve të mbledhjes dhe nxjerrjes së pluhurave, sigurohuni që ato të jenë të lidhura dhe të përdoren si duhet.**

Përdorimi i mbledhjes së pluhurave mund të zvogëlojë rrezikun në lidhje me pluhurat.

#### **4) PËRDORIMI DHE KUJDESI PËR VEGLËN E PUNËS**

- a) **Mos ushtroni forcë mbi veglën e punës.** Përdorni veglën e punës të duhur për përdorimin tuaj. Vegla e punës e duhur do të realizojë një punë më të mirë dhe më të sigurt dhe me shpejtësinë që ajo është e projektuar.
- b) **Mos përdorni veglën e punës nëse çelësi nuk e ndez apo e fik.** Çdo vegël pune që nuk mund të kontrollohet me anë të çelësit është e rrezikshme dhe duhet të riparohet.
- c) **Shkëputni spinën nga burimi i energjisë dhe/ose baterinë nga vegla e punës para se të bëni rregullime të tjera, të ndryshoni aksesorët ose të ruani veglat e punës.** Këto masa parandaluese të sigurisë ulin rrezikun e ndezjes aksidentale të veglës së punës.
- d) **Mbani veglat e punës larg fëmijëve dhe mos lejoni personat e pamësuar me veglën e punës ose këto udhëzime për përdorimin e pajisjes.** Veglat e punës janë të rrezikshme në duart e përdoruesve të patrajnuar.
- e) **Mirëmbani veglat e punës. Kontrolloni për mospërshtatje ose bllokim të pjesëve lëvizëse, thyerje të pjesëve dhe gjendje të tjera që mund të ndikojnë në funksionimin e veglës së punës.** Nëse dëmtohet, riparoheni veglën e punës para përdorimit. Shumë aksidente shkaktohen nga veglat e punës jo të mirëmbajtura si duhet.
- f) **Mbajni pajisjet prerëse të pastra dhe të mprehta.** Pajisjet e prerjes të mirëmbajtura dhe me anë të mprehta kanë më pak mundësi për t'u bllokuar dhe janë më të lehta për t'u kontrolluar.
- g) **Përdorni veglat e punës, aksesorët dhe puntot, etj. në përputhje me këto udhëzime, duke marrë parasysh kushtet e punës dhe punën që do të kryhet.** Përdorimi i veglave për përdorime të ndryshme nga ato të përcaktuara mund të shkaktojë rreziqe.
- 5) SHËRBIMI**
- a) **Shërbimi i veglës së punës duhet të kryhet nga një person i kualifikuar për riparimet duke përdorur vetëm pjesë ndërrimi identike.** Kjo gjë do të sigurojë ruajtjen e sigurisë së veglave të punës.

#### **UDHËZIMET E SIGURISË PËR TRAPANËT ÇEKIÇ**

- **Mbani mbrojtëse për veshët** (ekspozimi ndaj zhurmës mund të shkaktojë humbje të dëgjimit)
- **Përdorni dorezë(a) ndihmëse, nëse është e përfshirë me pajisjen** (humbja e kontrollit mund të shkaktojë dëmtime personale)
- **Shmangni dëmtimet që mund të shkaktohen nga vidat, gozhdët dhe elementet e tjera në materialin e punës;** hiqni ato para se të filloni punën
- **Mbajeni kordonin gjithmonë larg nga pjesët lëvizëse të pajisjes**
- **Sigurori materialin e punës** (një material i shtrënguar me një pajisje shtrëngimi ose morsi mbahet në mënyrë më të sigurt se sa me dorë)
- **Kur ta largoni pajisjen, fikeni motorin dhe sigurohuni që të gjitha pjesët lëvizëse të kenë nduar plotësisht**
- **Përdorni kordonin të pahapur dhe të sigurt për zgjatime,** me një kapacitet 16 amper

- Në rast të një defekti elektrik ose mekanik, fikni menjëherë pajisjen dhe hiqni spinën
- SKIL mund të garantojë funksionimin pa probleme të vegël vetëm kur përdoren aksesoret origjinalë
- Përdorni vetëm aksesore me një shpejtësi të lejuar që përshtatet të paktën me shpejtësinë më të lartë pa ngarkesë të pajisjes
- Kjo pajisje nuk duhet të përdoret nga personat nën moshën 16 vjeç
- **Përdorni detektorë përkatës për të gjetur linjat e fshehura të shërbimit ose telefonin kompaninë lokale të shërbimeve për ndihmë** (kontakti me linjat elektrike mund të shkaktojë zjarr ose goditje elektrike; dëmtimi i një linje gazi mund të shkaktojë një shpërthim; shpimi i një tubi uji do të shkaktojë dëmtim të pronës ose një goditje elektrike)
- **Mbajeni veglën e punës nga sipërfaqet e izoluarra e kapjes kur kryeni një veprim ku aksesori i prerjes mund të bjerë në kontakt me tela të fshehur ose kordoni e tij** (një aksesor i prerjes që bie në kontakt me një tel elektrik mund të bëjë që pjesët metalike të ekspozuara të pajisjes të transmetojnë elektricitetin dhe të shkaktojnë goditjen elektrike të përdoruesit)
- **Mos punoni me materiale që përmbajnë asbest** (asbesti konsiderohet kancerogjen)
- Pluhurat nga materialet si boja me plumb, disa lloje drurësh, mineralesh dhe metalesh mund të jenë të dëmshme (kontakti ose thithja e pluhurave mund të shkaktojë reagime alergjike dhe/ose sëmundje respiratore për përdoruesin ose personat përreth); **mbani një maskë për pluhurat dhe punoni me një pajisje për heqjen e pluhurave kur mund të lidhet**
- Disa lloje pluhurash skanë klasifikuar si kancerogjene (si pluhuri i lisit dhe i ahut) veçanërisht në ndërthurje me lëndët shtesë për kondicionimin e drurit; **mbani një maskë për pluhurat dhe punoni me një pajisje për heqjen e pluhurave kur mund të lidhet**
- Respektoni kërkesat kombëtare në lidhje me pluhurat për materialet me të cilat dëshironi të punoni
- Nëse kordoni dëmtohet ose pritet gjatë punës, mos e prekni kordonin por hiqni menjëherë spinën
- Mos e përdorni kurrë veglën kur kordoni është i dëmtuar; zëvendësojeni nga një person i kualifikuar
- Kontrolli gjithmonë që voltazhi i energjisë të jetë i njëjtë si voltazhi që tregohet në etiketën e veglës (veçat me klasifikimin 230 V ose 240 V mund të lidhen po ashtu me një burim 220 V)
- Nëse puntoja bllokohet papritur (duke shkaktuar një reagim të papritur dhe të rrezikshëm), fikeni menjëherë pajisjen.
- Kini parasysh forcat që ndodhin si rezultat i bllokimit (veçanërisht kur shpioni në metale); **përdorni gjithmonë doreza ndihmëse G ②** dhe mbani një pozicionim të sigurt
- **Shkëputni gjithmonë spinën nga burimi i energjisë para kryerjes së rregulimeve ose ndryshimeve të aksesoreve**

## PËRDORIMI

- Ndezje/Fikje ④
- Kontrolli i shpejtësisë maksimale ⑤  
Me anë të rrotës B shpejtësia maksimale mund të ndryshohet nga e ulët në e lartë (1-6)
- Zgjedhja e modalitetit të veprimit ⑥  
**! zgjidhni modalitetin e punës vetëm kur pajisja të jetë e fikur dhe spina e shkëputur**
  - shtypni butonin C për të zhbllokuar çelësin D
  - në fillim rrotulloni çelësin D në modalitetin e dëshiruar të funksionimit deri sa të bllokohet me kërcitje
  - më pas rrotulloni çelësin E në modalitetin e dëshiruar të funksionimit
    - 1 = shpim normal/vidhosje
    - 2 = shpim me goditje
    - 3 = gërryerjeje
- **! filloni të punoni vetëm kur çelësi D të jetë i bllokuar**
  - për shpime në dru, metal dhe plastikë si dhe për vidhosje, duhet të përdorni përshatësin përkatës (shikoni: Këshilla për përdorimin)
  - mekanizmi i goditjes çekiç aktivizohet duke ushtruar pak trysni mbi pajisje kur puntoja e shpimit është në kontakt me materialin e punës
  - kërkon pak kohë që mekanizmi i çekiçit të arrijë fuqinë e impaktit të plotë
  - mos ushtroni shumë trysni mbi pajisje; lëroni pajisjen që të punojë për ju
- Ndërrimi i puntove ⑦  
**! pastroni dhe lubrifikoni pak aksesoren SDS+ para lidhjes**
  - tërhiqni këmishën bllokuese F ② dhe futni aksesoren në mandrinën SDS+ duke e rrotulluar dhe shtyrë deri sa të vendoset; aksesori do të bllokohet automatikisht në pozicionin përkatës
  - tërhiqeni aksesoren për të kontrolluar që është bllokuar si duhet
  - hiqeni aksesoren duke tërhequr këmishën bllokuese F
- **! aksesori SDS+ kërkon liri veprimi gjë që shkakton rrotullim jashtë qendrës kur pajisja është pa ngarkesë; sidoqoftë aksesori centrohet automatikisht vetë gjatë përdorimit pa ndikuar në saktësinë e shpimit**
- **! mos përdorni punto/dalta me bosht të dëmtuar**
- Freksioni i sigurisë  
Nëse aksesori bllokohet, shtytja në bosht do të ndërpritet
  - fikni menjëherë pajisjen
  - hiqni aksesoren e bllokuar
  - ndizni përsëri pajisjen
- Rregullimi i thellësisë së shpimit ⑧
- Mbatja dhe drejtimi i veglës ⑨  
**! gjatë punës, mbajeni gjithmonë veglën në zonën(at) e dorezës me ngjyrë gri**
  - përdorni gjithmonë dorezën ndihmëse G ② (mund të rregullohet sipas ilustrimit)
  - mbajini të çarat e ajrimit H ② të pambuluara

## KËSHILLË PËR PËRDORIMIN

- Përdorni puntot e duhura ⑩  
**! përdorni vetëm punto/dalta të mprehta**



- Për shpime në dru, metal dhe plastikë si dhe për vidhosje, përdorni përshtatësin përkatës (aksesori 2610395660 nga SKIL) <sup>(11)</sup>
  - pastroni dhe lubrifikoni pak përshtatësin para lidhjes - tërhiqni këmishën bllokuese F <sup>(2)</sup> dhe futni përshtatësin në mandrinën SDS+ duke e rrotulluar dhe shtyrë deri sa të vendoset; përshtatësi do të bllokohet automakisht në pozicionin përkatës
  - tërhiqeni përshtatësin për të kontrolluar nëse është bllokuar si duhet
  - vendoseni çelësin D <sup>(2)</sup> në shpim normal (**aktivizojeni vetëm kur pajisja të jetë e fikur dhe spina e hequr**)
- Kur shpioni metale ferrose
  - shpioni paraprakisht një vrimë të vogël, kur kërkohet një vrimë e madhe
  - lubrifikoni herë pas here me vaj punton e shpimit
- Kur vidhosni një vidë/pranë skajit të prerjes kryq ose një skaj të drurit, shpioni paraprakisht një vrimë për të shmangur krisjen e drurit
- Shpimi pa ashkla në dru <sup>(12)</sup>
- Shpimi pa pluhura në mure <sup>(13)</sup>
- Shpimi pa pluhura në tavanë <sup>(14)</sup>
- Shpimi në pllaka pa rrëshqitur <sup>(15)</sup>
- Për më shumë këshilla, vizitoni [www.skil.com](http://www.skil.com)

## MIRËMBAJTJA / SHËRBIMI

- Kjo vegël nuk është e projektuar për përdorim profesional
- Mos e hapni kurrë vetë pajisjen <sup>(16)</sup>
- Mbajeni gjithmonë veglën dhe kordonin të pastër (veçanërisht të çarat e ajrosjes H <sup>(2)</sup>)  
**! shkëputni spinën para pastrimit**
- Nëse pajisja ka defekt pavarësisht kujdesit në prodhim dhe procedurat e provave, riparimi duhet të kryhet nga një qendër e shërbimit pas shitjes për veglat e punës të SKIL
  - dërgoni veglën **të çmontuar** së bashku me vërtetimin e blerjes të shitësi ose te qendra më e afërt e shërbimit e SKIL (adresat si dhe diagrami i shërbimit i veglës janë të paraqitura në [www.skil.com](http://www.skil.com))

## MJEDISI

- **Mos i hidhni veglat elektrike, aksesorët dhe paketimin së bashku me materialet e mbeturinave familjare** (vetëm për vendet e BE-së)
  - në respektim të Direktivës evropiane 2012/19/EC për pajisjet elektrike dhe elektronike si mbetje dhe zbatimin e saj në përputhje me ligjet kombëtare, pajisjet elektrike që kanë arritur në fund të jetëgjatësisë së tyre duhet të mblidhen të ndara dhe të kthehen në një objekt riciklimi në përputhje me mjedisin.
  - simboli <sup>(17)</sup> do t'ju kujtojë për këtë gjë kur të jetë nevoja për t'i hedhur

## DEKLARATA E KONFORMITETIT CE

- Ne deklarojmë me përgjegjësinë tonë të vetme se ky produkt është në përputhje me standardet dhe dokumentet e standardizuara si më poshtë: EN 60745, EN 61000, EN 55014 në përputhje me dispozitat e direktivave 2004/108/EC, 2006/42/EC, 2011/65/EU

- **Dosja teknike në:** SKIL Europe BV (PT-SEU/ENG1), 4825 BD Breda, Holandë

Marijn van der Hoofden  
Operations & Engineering

Olaf Dijkgraaf  
Approval Manager




SKIL Europe BV, 4825 BD Breda, NL

09.12.2013

## ZHURMA/VIBRIMI

- E matur në përputhje me EN 60745, niveli i trysnisë së tingullit i kësaj pajisje është 95 dB(A) dhe niveli i fuqisë së tingullit 106 dB(A) (shmangia standarde: 3 dB) dhe vibrimi \* m/s<sup>2</sup> (metoda e krahut-dorës; pasiguria K = 1,5 m/s<sup>2</sup>)
  - \* gjatë shpimit si çekiç në beton 17,0 m/s<sup>2</sup>
  - \* gjatë gërpyerjes 16,0 m/s<sup>2</sup>
- Niveli i emetimit të vibrimit është matur në përputhje me një provë të standardizuar të dhënë në EN 60745; ajo mund të përdoret për të krahasuar një vegël me një tjetër dhe si një vlerësim paraprak i ekspozimit ndaj vibrimit kur përdorni pajisjen për proceset e përmendura
  - përdorimi i pajisjes për procese të ndryshme, ose me aksesorë të ndryshëm dhe të mirëmbajtur keq, mund të **rritë** ndjeshëm nivelin e ekspozimit
  - kohët kur pajisja është e fikur dhe kur është e ndezur por jo në punë, mund të **zvogëlojnë** ndjeshëm nivelin e ekspozimit
- ! **mbroni veten nga efektet e vibrimit duke mirëmbajtur pajisjen dhe aksesorët e saj, duke i mbajtur duart e ngrohta dhe duke organizuar mënyrën tuaj të punës**

- ابتدا سونیچ D را چرخانده و به حالت کاری دخواه بیاورید تا اینکه در جای خود قفل شود
- سپس سونیچ E را چرخانده و روی حالت کاری دخواه قرار دهید
- 1 = پیچ/دیل کاری عادی
- 2 = دریل کاری ضربه ای
- 3 = قلم کاری
- ! فقط زمانی کار را شروع کنید که دیل D قفل شده باشد
- برای مته کاری چوب، فلزات و پلاستیک و نیز پیچ کاری باید از تبدیل مناسب استفاده شود (مراجعه کنید به: توصیه های کاربردی)
- مکانیسم چکش موقعی که سرمته با قطعه کار در تماس است با وارد کردن فشار کمی بر ابزار فعال می شود
- رسیدن مکانیسم چکش به حداکثر توان ضربه ای کمی زمان می برد
- فشار بیش از حد به ابزار وارد نکنید؛ بگذارید ابزار به جای شما کار کند
- عوض کردن سرمته (V)
- ! پیش از قرار دادن قطعه SDS+، آنرا تمیز کرده و کمی روغنکاری نمایید
- ماسوره قفلی F (1) را عقب کشیده و متعلقات دخواه را در کلاچ SDS+ قرار داده و بچرخانید و فشار دهید تا درگیر شود؛ متعلقات بطور خودکار در جای خود قفل می شوند
- برای اینکه از قفل شدن صحیح متعلقات مطمئن شوید آنها را بکشید
- با عقب کشیدن ماسوره قفلی F می توانید متعلقات را بردارید
- ! متعلقات SDS+ نیازمندی آزادی حرکت هستند که باعث می شود ابزار در صورتی بار روی آن نباشد دارای لنگی شوند؛ اما متعلقات در حین کار بطور خودکار و بدون خشمه دار ساختن دقت دریل کاری در محل مناسب قرار می گیرند
- ! اگر ساقه سرمته/قلم آسیب دیده است نباید از آن استفاده کنید
- کلاچ ایمنی
- اگر متعلقات گیر کنند، محرک شفت درست کار نخواهد کرد
- ابزار را فوراً خاموش کنید
- متعلقات گیر کرده را خارج کنید
- ابزار را دوباره روشن کنید
- تنظیم عمق مته کاری (A)
- نگهداشتن و هدایت ابزار (9)
- ! هنگام کار باید همیشه ابزار را از اجزای (های) دست خاکستری رنگ بگیرد
- همیشه از دسته کمکی استفاده کنید G (1) (مطابق شکل قابل تنظیم است)
- شیارهای تهویه H (2) را مسدود نکنید

## توصیه های کاربردی

- از سرمته های مناسب استفاده کنید (5)
- ! فقط از سرمته ها/قلمهای تیز استفاده کنید
- برای مته کاری چوب، فلزات و پلاستیک و نیز پیچ کاری از تبدیل مناسب (متعلقات اسکیل به شماره قطعه ۲۹۵۶۱۰-۲۱۱) استفاده کنید
- پیش از قرار دادن تبدیل آنرا تمیز کرده و کمی روغنکاری نمایید
- ماسوره قفلی F (2) را عقب کشیده و تبدیل را در کلاچ SDS+ قرار داده و آنرا بچرخانید و فشار دهید تا درگیر شود؛ تبدیل بطور خودکار در جای خود قفل می شود
- برای اینکه از قفل شدن صحیح تبدیل مطمئن شوید آنرا بکشید
- کلید D (1) را در حالت دریل کاری عادی قرار دهید (فقط موقعی که ابزار خاموش و سیم برق آن کشیده شده است)
- برای مته کردن فلزات آهنی
- اگر می خواهید سوراخ بزرگی ایجاد کنید، ابتدا یک سوراخ کوچک اولیه ایجاد کنید
- سرمته را هر چند وقت یکبار با روغن روانکاری کنید
- هنگام سفت کردن یک پیچ درکتان لبه یا مقطع برش یک تکه چوب، ابتدا یک سوراخ ایجاد کنید تا چوب ترک نخورد
- مته کاری بدون تراشه چوب (14)
- مته کاری دیوار بدون گرد و غبار (13)
- مته کاری سقف بدون گرد و غبار (15)
- مته کاری کاشی ها بدون لیز خوردن (16)
- برای نکات بیشتر به [www.skil.com](http://www.skil.com) مراجعه کنید

## نگهداری / سرویس- خدمات

- این ابزار برای مصارف حرفه ای مناسب نیست
- هرگز خودتان ابزار را باز نکنید (11)
- همیشه ابزار و سیم برق را تمیز نگه دارید (بخصوص شیارهای تهویه H (2))
- ! پیش از تمیز کردن سیم برق را از برق بکشید
- اگر ابزار علیرغم تمام دقت و مراقبتی که در فرایندهای تولید و تست بکار برده شده از کار افتاد، تعمیرات باید فقط در مراکز خدمات پس از فروش ابزارهای برقی SKIL انجام شود
- ابزار را بصورت بازنشده همراه با رسید خرید به فروشنده یا نزدیک ترین مرکز خدمات رسانای SKIL بفرستید (آدرسها به همراه نمودار نقشه های سرویس ابزار در [www.skil.com](http://www.skil.com) موجود است)

## محیط زیست

- ابزارهای برقی، لوازم و متعلقات و بسته بندی آنها را نباید همراه با زباله های عادی خانگی دور انداخت (فقط مخصوص کشورهای عضو اتحادیه اروپا)
- با توجه به مصوبه اروپایی ۲۰۱۲/۱۹/EC اروپا درباره لوازم برقی و الکترونیکی و سیم و اجزای این مصوبه مطابق با قوانین کشوری، ابزارهای برقی که به پایان عمر مفید خود رسیده اند باید جداگانه جمع آوری شده و به یک مرکز بازیافت مناسب و سازگار با محیط زیست انتقال یابند
- نمادعلامت (10) یادآور این مسئله در هنگام دور انداختن است

## اعلامیه مبنی بر رعایت استاندارد CE

- ما بر اساس مسئولیت انحصاری خود اعلام می نمایم که این محصول با استانداردها که مستندات استاندارد شده زیر سازگاری و تطابق دارد: EN 1۰۷۴۵، EN ۱۱۰۰۰، EN ۵۵۰۱۴، مطابق با مفاد مصوبات EN/EC ۲۰۰۶/۱۷، EN/EC ۲۰۰۶/۱۷، EN/EC ۲۰۱۱/۱۵/2011
- پیونده فنی در [www.skil.com](http://www.skil.com) : SKIL Europe BV (PT-SEU/ENG)

Marijn van der Hoofden Olaf Dijkgraaf  
Operations & Engineering Approval Manager




SKIL Europe BV, 4825 BD Breda, NL

09.12.2013

## صدا/ارتعاشات

- اندازه گیری ها بر اساس استاندارد EN 1۰۷۴۵ انجام و مشخص شده که میزان فشار صوتی این ابزار ۹۵ دسی بل و میزان توان صوتی آن ۱۰۶ دسی بل (با انحراف استاندارد ۳؛ دسی بل)، و میزان ارتعاشات \* می باشد (شیموه دست-بازو، عدم قطعیت K = ۱,۵ متر/مجدور ثانیه)
- \* در صورت مته کاری ضربه ای بتن ۱۷۰ متر/مجدور ثانیه
- \* در صورت قلم کاری ۱۱۰ متر/مجدور ثانیه
- میزان انتشار ارتعاشات بر اساس تست استاندارد شده ای که در EN 1۰۷۴۵ معرفی شده است اندازه گیری گردید؛ از این ارقام می توان برای مقایسه یک ابزار با دیگری و بعنوان ارزیابی اولیه در معرض قرارگیری ارتعاشات هنگام کار با ابزار در کاربری های فوق استفاده کرد
- استفاده کردن از ابزار برای کاربردهای متفاوت، یا با لوازم و متعلقات متفاوت فرقی با لوازم و متعلقاتی که بد نگهداری شده اند، می تواند میزان در معرض قرارگیری را بطور قابل ملاحظه ای افزایش دهد
- مواقعی که ابزار خاموش است یا روشن است ولی کاری با آن انجام نمی شود، میزان در معرض قرارگیری بطور قابل توجهی کاهش می یابد
- ! با نگهداری مناسب از ابزار و لوازم و متعلقات آن گرم نگهداشتن دست های خود، و سازمان دهی طرح های کاری می توانید خود را در برابر اثرات ارتعاش محافظت کنید

- از دسته‌های (های) کمکی. در صورت ارائه به همراه ابزار استفاده کنید (از دست دادن کنترل روی ابزار می‌تواند به جراحات های فردی منجر شود)
- پیچ‌ها، میخ‌ها و سایر اجزا دیگری می‌توانند به قطعه کاری شما آسیب بزنند؛ بنابراین پیش از شروع کار آنها را بردارید
- همیشه باید سیم برق از آنها را بخشهای متحرک آن دور نگهدارید
- قطعه کاری را محکم کنید (اگر قطعه کاری را با گیره های تجاری یا گیره های رومیزی ثابت کنید بسیار مطمئن تر از گرفتن آن با دست خواهد بود)
- وقتی به کار شما با ابزار تمام شد. حتماً موتور آنرا خاموش کرده و مطمئن شوید که تمامی بخشهای متحرک آن از حرکت ایستاده اند
- سیم های رابط برق باید کاملاً باز شده و ایمن باشند. از سیم هایی با رده بندی ۱۶ آمپر
- در صورت بروز اشکالات برقی یا مکانیکی فوراً ابزار را خاموش کرده و سیم برق آنرا از پریز بکشید
- در صورتی که از متعلقات اصلی استفاده کنید عملکرد بدون مشکل ابزار را تضمین می‌نماید
- متعلقات نباید فقط با سرعت های چرخش مجاز که معادل بالاترین سرعت بدون بار ابزار هستند به کار برده شوند
- افراد کمتر از ۱۶ سال نباید با این دستگاه کار کنند
- برای پیدا کردن سیم و لوله های پنهان از دستگاه های دستگیر مناسب استفاده کرده یا با شرکت های آب و برق و گاز محلی تماس گرفته و از آنها کمک بخواهید (تاس با سیم های برق موجب آتش سوزی و برق گرفتگی می شود؛ آسیب رساندن به لوله های گاز سبب انفجار می شود؛ سوراخ کردن لوله های آب یا ساختمان آسیب رسانده و موجب خطر برق گرفتگی می شود)
- هنگام استفاده از ابزار در مواردی که امکان دارد متعلقات برش با سیم های پنهان شده یا سیم های خود ابزار تماس پیدا کنند. حتماً ابزار را از جای دست های مخصوص عایق شده بگیرید (تاس متعلقات برش با سیم های «برق دار» می تواند در بخش های فلزی دستگاه نیز جریان «برق» تولید کرده و موجب شوک برقی استفاده کننده شود)
- با موادی حاوی آزنست کار نکنید (آزنست سرطان زا است)
- گرد و خاکی که از موادی مانند رنگ های حاوی سرب، برخی گونه های چوب، مواد معدنی و فلزات بلند می شود می تواند خطرناک باشد (تاس با این گرد و خاکها و یا تنفس آنها می تواند در کاربران ابزار یا افراد نزدیک به محل کار واکنش های حساسیتی و یا بیماری های تنفسی ایجاد کند؛ یک ماسک مخصوص گرد و خاک بزنید و در صورت امکان از یک وسیله مکش گرد و خاک استفاده کنید
- برخی از گرد و خاکها (مانند گرد و خاکی که از چوب بلوط یا راش بلند می شود) علی الخصوص در مجاورت افزودنی های مخصوص چوب، سرطان زا هستند؛ یک ماسک مخصوص گرد و خاک بزنید و در صورت امکان از یک وسیله مکش گرد و خاک استفاده کنید
- از مقررات ملی مربوط به گرد و خاک موادی که می خواهید با آنها کار کنید پیروی نمایید
- اگر سیم برق آسیب دیده یا بریده شده باشد. هرگز به سیم دست نزنید. اما فوراً آنرا از پریز بکشید
- وقتی که سیم برق ابزار آسیب دیده هرگز از آن استفاده نکنید و از یک فرد متخصص بخواهید آنرا برای شما عوض کند
- همیشه مطمئن شوید که ولتاژ ورودی دستگاه برابر ولتاژی باشد که روی پلاک دستگاه نوشته شده است (ابزارهایی که ولتاژ ورودی آنها ۲۳۰ تا ۲۴۰ ولت مشخص شده است می توانند با برق ۲۲۰ ولت هم کار کنند)
- اگر سرمرته بطور ناگهانی گیر کرد (که نتیجه آن یک حرکت واکنشی ناگهانی و خطرناک است). فوراً ابزار را خاموش کنید
- مراقب نیروهای ناشی از گیر کردن باشید (بخصوص هنگام دریل کردن فلزات)؛ همیشه از دسته کمکی استفاده کرده G ① و در حالت مطمئن یابستید
- قبل از هرگونه تنظیم یا تعویض کردن لوازم و ملحقه‌تعلقات حتماً باید سیم برق دستگاه را از پریز بکشید

### استفاده

- روشن/خاموش ④
- کنترل حداکثر دور ⑤
- با چرخ B می توان حداکثر دور را از کم به زیاد (۱-۶) تنظیم کرد
- انتخاب حالت کاری ①
- فقط موقعی که ابزار خاموش و سیم برق آن کشیده شده است حالت کاری آنرا انتخاب کنید
- دکمه C را برای باز کردن قفل دستگاه D فشار دهید

- ۳) رعایت ایمنی اشخاص
- ۱) حواس خود را خوب جمع کنید. به کار خود دقت کنید و با فکر و هوش کامل با ابزار الکتریکی کار کنید. در صورت خستگی و یا در صورتیکه مواد مخدر، الکل و دارو استفاده کرده اید، با ابزار الکتریکی کار نکنید. یک خطه بی توجهی هنگام کار با ابزار الکتریکی میتواند جراحات های شدیدی به همراه داشته باشد.
- ب) همواره از تجهیزات ایمنی شخصی استفاده کنید. همواره از عینک ایمنی استفاده کنید. استفاده از تجهیزات ایمنی مانند ماسک ایمنی، کفش های ایمنی ضد لغزش، کلاه ایمنی و گوشی ایمنی مناسب با نوع کار با ابزار الکتریکی. خطر مجروح شدن را تقلیل می دهد.
- ت) مواظب باشید که ابزار الکتریکی بطور ناخواسته بکار نیفتد. قبل از وارد کردن دوشاخه دستگاه در پریز برق، اتصال آن به باطری، برداشتن آن و یا حمل دستگاه، باید دقت کنید که ابزار الکتریکی خاموش باشد. در صورتیکه هنگام حمل دستگاه انگشت شما روی دکمه قطع و وصل باشد و یا دستگاه را در حالت روشن به برق بزنید. ممکن است سوانح کاری پیش آید.
- ث) قبل از روشن کردن ابزار الکتریکی، باید همه ابزار های تنظیم کننده و آچار ها را از روی دستگاه بردارید. ابزار آچارهایی که روی بخش های چرخنده دستگاه قرار دارند، می توانند باعث ایجاد جراحات شوند.
- ج) پیش از حد به آنها نزدیک نشوید. برای کار جای مطمئن برای خود انتخاب کرده و تقاعد خود را همواره حفظ کنید. به این ترتیب می توانید ابزار الکتریکی را در وضعیت های غیر منظره بهتر خت کنترل داشته باشید.
- ح) لباس مناسب بپوشید. از پوشیدن لباس های فراخ و حمل زینت آلات خود داری کنید. موها، لباس و دستکش ها را از بخش های درحال چرخش دستگاه دور نگهدارید. لباس های فراخ، موی بلند و زینت آلات ممکن است در قسمت های درحال چرخش دستگاه گیر کنند.
- خ) در صورتیکه می توانید وسایل مکش گرد و غبار و یا وسیله جذب زائده را به دستگاه نصب کنید، باید مطمئن شوید که این وسایل نصب و درست استفاده می شوند. استفاده از وسایل مکش گرد و غبار مصونیت شما را در برابر گرد و غبار زیاد تر می کند.
- ۴) استفاده صحیح از ابزار الکتریکی و مراقبت از آن
- ۱) از وارد کردن فشار زیاد روی دستگاه خود داری کنید. برای هر کاری، از ابزار الکتریکی مناسب با آن استفاده کنید. بکار گرفتن ابزار الکتریکی مناسب باعث می شود که بتوانید از توان دستگاه بهتر و با اطمینان بیشتری استفاده کنید.
- ب) در صورت ایراد در کلیه قطع و وصل ابزار برقی، از دستگاه استفاده نکنید. ابزار الکتریکی که می توان آنها را قطع و وصل کرد، خطرناک بوده و باید تعمیر شوند.
- ت) قبل از تنظیم ابزار الکتریکی، تعویض متعلقات و یا کنار گذاشتن آن، دوشاخه را از برق کشیده و یا باطری آنرا خارج کنید. رعایت این اقدامات پیشگیری ایمنی از راه افتادن ناخواسته ابزار الکتریکی جلوگیری می کند.
- ث) ابزار الکتریکی را در صورت عدم استفاده، از دسترس کودکان دور نگهدارید. اجازه ندهید که افراد نا وارد و یا ناشناس، این دفتر چه راهنما را خوانده اند، با این دستگاه کار کنند. قرار گرفتن ابزار الکتریکی در دست افراد ناوارد و بی چربیه خطرناک است.
- ج) از ابزار الکتریکی خوب مراقبت کنید. مواظب باشید که قسمت های متحرک دستگاه خوب کار کرده و گیر نکنند. همچنین دقت کنید که قطعات ابزار الکتریکی شکسته و یا آسیب دیده نباشند. قطعات آسیب دیده را قبل از شروع به کار تعمیر کنید. علت بسیاری از سوانح کاری، عدم مراقبت کامل از ابزارهای الکتریکی می باشد.
- ح) ابزار برش را تیز و تمیز نگهدارید. ابزار برشی که خوب مراقبت شده و از لبه های تیز برخوردارند، کمتر در قطعه کار گیر کرده و بهتر قابل هدایت می باشند.
- خ) ابزارهای الکتریکی، متعلقات، ابزاری که روی دستگاه نصب می شوند و غیره را مطابق دستورات این جزوه راهنما طوری به کار گیرید که با مدل این دستگاه تناسب داشته باشند. همچنین به شرایط کاری و نوع کار توجه کنید. کاربرد ابزار برقی برای موارد کاری که برای آن در نظر گرفته نشده است، میتواند شرایط خطرناکی را منجر شود.
- ۵) سرویس
- ۱) برای تعمیر ابزار الکتریکی فقط به متخصصین حرفه ای رجوع کرده و از وسایل یکدی اصل استفاده کنید. این باعث خواهد شد که ایمنی دستگاه شما تضمین گردد.

### هشدارهای ایمنی برای چکش ها

- از محافظ گوش استفاده کنید (قرار گرفتن در معرض صدای این ابزار می تواند به شنوایی آسیب برساند)

- إذا تعذر تشغيل الأداة على الرغم من الحذر الشديد في إجراءات التصنيع والاختبار، فيجب القيام بالإصلاحات بواسطة مركز خدمة ما بعد البيع لأدوات الطاقعة التابع لشركة SKIL.
- قم بإرسال الأداة دون تفكيكها بالإضافة إلى إثبات الشراء إلى البائع أو أقرب محطة خدمة SKIL. العنوانين بالإضافة إلى مخطط الخدمة متاحان على [www.skil.com](http://www.skil.com)

## البيئة المحيطة

- لا تتخلص من الأدوات الكهربائية والملحقات ومواد التغليف مع النفايات المنزلية (لدول الاتحاد الأوروبي فقط):
- وفقاً للتوجيه الأوروبي EN 60119/EC حول نفايات المعدات الكهربائية والإلكترونية وتطبيقه بالتوافق مع القانون المحلي، يجب جمع الأدوات الكهربائية منتهية الصالحة بشكل منفصل وإرسالها إلى أحد منشآت إعادة التصنيع المتوافقة مع البيئة.
- سيذكر الرمز (V) بهذا عند الحاجة إلى التخلص من أية أداة:

## إعلان توافقة CE

- إننا نعلن تحت مسؤوليتنا وحدنا أن هذا المنتج مطابق للمعايير التالية أو الوثائق القياسية EN 60074:5، EN 11000، EN 55014، EN 60119/EC، EN 60116/EC، EN 60117/EC.
- الملف الفني على: SKIL Europe BV (PT-SEU/ENG)؛ 4825 BD Breda، NL

Marijn van der Hoofden  
Operations & Engineering

Olaf Dijkgraaf  
Approval Manager

SKIL Europe BV, 4825 BD Breda, NL

09.12.2013

## الضوضاء/الاهتزاز

- عند القياس بالتوافق مع EN 10745 يكون مستوى ضغط صوت هذه الأداة هو 95 ديسيبل (A) ومستوى طاقة الصوت 106 ديسيبل (A) (الانحراف المعياري 3؛ ديسيبل).
- والاهتزاز (\*) (طريقة اهتزاز البند: K غير مؤكد 1،5 م/ث²):
- \* عند الثقب الصدمي للخرسانة 17،0 م/ث²
- \* عند النحت 11،0 م/ث²
- تم قياس مستوى الاهتزازات بالتوافق مع الاختبار المعياري المحدد في EN 10745. يمكن استخدامه لقيارنة أداة بأداة أخرى وكن تقييم مهيدي للتعرض للاهتزاز عند استخدام الأداة في التطبيقات الموضحة:
- قد يؤدي استخدام الأداة في تطبيقات مختلفة أو مع ملحقات مختلفة ذات وياتة رديئة إلى زيادة مستوى التعرض بصورة كبيرة؛
- إن الفترة الزمنية التي يتم خلالها إيقاف تشغيل الأداة أو عندما تكون قيد التشغيل لكنها لا تؤدي أية مهام، تؤدي إلى تقليل مستوى التعرض بصورة كبيرة؛
- ! قم بحماية نفسك من تأثيرات الاهتزاز من خلال صيانة الأداة وملحقاتها. والحفاظ على يدك دافئتين وتنظيم أحمال العمل لديك:

FA

## جكش

### مقدمة

- این ابزار برای دریل کاری ضربه ای در بتن، آجر و سنگ و نیز قلم کاری سبک طراحی شده است؛ برای دریل کاری جویب، فلزات و پلاستیک و نیز بیج کاری باید از ابزارهای مخصوص آن کارها استفاده کرد.
- سیستم جکش این ابزار در دریل کاری بتن بسیار بهتر از دریل های ضربه ای عادی عمل می کند.
- این ابزار برای استفاده با کلیه متعلقات استاندارد SDS+ طراحی شده است.
- این ابزار برای مصارف حرفه ای مناسب نیست.

- لطفاً این دفترچه راهنما را مطالعه کرده و نگهدارید (1)

## مشخصات فنی (1)

\* قدرت حرشیه مطابق استاندارد <math>EN 60745-1</math> EPTA-Procedure مقدار هنوز در دسترس نمی باشد

## اجزای ابزار (2)

- A کلید روشن/خاموش
- B چرخ کنترل حداکثر دور
- C دکمه باز کننده
- D کلید انتخاب حالت کاری
- E سوییچ دوم برای انتخاب حالت کاری
- F مسأوره قفلی
- G دسته کمکی
- H شیارهای تهویه
- J عمق سنج

## ایمنی

### راهنمای ایمنی عمومی

**هشدار!** همه دستورات ایمنی و راهنمایی ها را بخوانید. احتیاطات ناشی از عدم رعایت این دستورات ایمنی ممکن است باعث برق گرفتگی، سوختگی و یا سایر جراحات های شدید شود. همه هشدار های ایمنی و راهنمایی ها را برای آینده خوب نگهداری کنید. هر جا در این راهنما از «ابزار الکتریکی» صحبت میشود، منظور ابزارهای الکتریکی (باسیم برق) و یا ابزارهای الکتریکی باتری دار (بدون سیم برق) می باشد.

### ایمنی محل کار

- 1) محل کار خود را تمیز مرتب و مجهز به نور کافی نگهدارید. محیط کار نامرتب و کم نور نتواند باعث سوانح کاری شود.
- 2) با ابزار الکتریکی در محیط هایی که در آن خطر انفجار وجود داشته و حاوی مایعات، گازها و غبارهای محترقه باشد، کار نکنید. ابزارهای الکتریکی جرقه های ایجاد می کنند که می توانند باعث آتش گرفتن گرد و بخار های موجود در هوا شوند.
- 3) هنگام کار با ابزار الکتریکی، کودکان و سایر افراد را از دستگاه دور نگهدارید. در صورتیکه حواس شما پرت شود، ممکن است کنترل دستگاه از دست شما خارج شود.

### ایمنی الکتریکی

- 1) دوشاخه ابزار الکتریکی باید با پریز برق تناسب داشته باشد. هیچگونه تغییری در دوشاخه ندهید. مبدل دوشاخه نباید همراه با ابزار الکتریکی دارای اتصال به زمین (ارت شده) استفاده شود. مبدل دوشاخه نباید همراه با ابزار الکتریکی دارای اتصال به زمین (ارت شده) استفاده شود.
- 2) از تماس بدنی یا قطعات دارای سیم اتصال به زمین (ارت شده) مانند توله، شوفاژ، اجاق برقی و یخچال خود داری کنید. در صورتیکه بدن شما با سیم دارای اتصال به زمین (ارت شده) تماس پیدا کند، خطر برق گرفتگی بیشتر خواهد شد.
- 3) دستگاه را از باران و رطوبت دور نگهدارید. نفوذ آب به ابزار الکتریکی، خطر شوک الکتریکی را افزایش می دهد.
- 4) از سیم به درستی استفاده کنید. از سیم دستگاه برای کارهایی چون حمل ابزار الکتریکی، آویزان کردن آن و یا خارج کردن دوشاخه از برق استفاده نکنید. دستگاه را در مقابل حرارت، روغن، لیه های تیز و بخش های متحرک دستگاه دور نگهدارید. کابل های آسیب دیده و یا گره خورده خطر شوک الکتریکی را افزایش می دهند.

- 5) در صورتیکه با ابزار الکتریکی در محیط باز کار می کنید، تنها از کابل را بطی استفاده کنید که برای محیط باز نیز مناسب باشد. کابل های رابط مناسب برای محیط باز، خطر برق گرفتگی را کم می کنند.
- 6) در صورت لزوم باز با ابزار الکتریکی در محیط و اماکن مرطوب. در اینصورت باید از یک کلید حفاظتی جریان خطا و نشستی زمین (کلید قطع کننده اتصال با زمین) استفاده کنید. استفاده از کلید حفاظتی جریان خطا و نشستی زمین خطر برق گرفتگی را کمتر می کند.

- استخدم مقبض (مقابض) مساعد، إذا كانت مزودة مع الأداة (قد يتسبب فقدان التحكم في حدوث إصابة شخصية)
- تجنب التلف الذي قد تتسبب فيه البراغي والمسامير والعناصر الأخرى الموجودة في القطعة التي تعمل بها، قم بفكهم قبل بدء العمل.
- احتفظ بالسلك بعيداً عن الأجزاء المتحركة بالأداة:
- ثبت قطعة العمل (الإسماك بنقطة عمل مثبتة بأجهزة تثبيت أو في ملزمة أكثر أمثاً من مسكها باليد)
- عندما تضع الأداة جانباً، أوقف تشغيل المحرك وتأكد من توقف جميع الأجزاء المتحركة بشكل تام
- استخدم أسلاك عميد مفكوكة تماماً وأمنة سعة 11 أمبير (13 أمبير في بريطانيا العظمى)
- في حالة حدوث خلل كهربائي أو ميكانيكي، أوقف تشغيل الأداة فوراً وافصل القابس:
- تضمن SKIL التشغيل السليم للأداة فقط عند استخدام الملحقات الأصلية:
- استخدم فقط الملحقات بالسرعة المسموح بها، والتي توافق على الأقل أعلى سرعة للأداة بدون حمل:
- لا يجب استخدام هذه الأداة من قبل الأشخاص الأقل من 16 عام:
- استخدم كاشفات ملائمة للعثور على خط المرافق أو أطبل شركة المرافق المحلية للحصول على مساعدة (التلامس مع خطوط إمداد الكهرباء قد يؤدي إلى حدوث حريق أو صدمة كهربائية، وتلف خط الغاز قد يؤدي إلى حدوث انفجار؛ واختراق أنابيب المياه سيتسبب في حدوث ضرر في الممتلكات أو صدمة كهربائية).
- امسك بالأداة الكهربائية بواسطة أسطح إمساك معزولة وذلك عند القيام بأعمال قد تتعرض لمخاطر القطع من خلالها إلى التلامس مع أسلاك غير ظاهرة أو مع السلك الخاص بها (تلامس ملحقات القطع مع سلك متصل بالكهرباء) سيؤدي إلى «وصول التيار الكهربائي» إلى الأجزاء المعدنية المكشوفة وقد يعرض المشغل لصدمة كهربائية)
- لا تعمل باستخدام مواد تشتعل على الأسبستوس (يعتبر الأسبستوس مادة مسرطنة):
- الغبار الناتج من المواد كالطلاء الذي يحتوي على رصاص وبعض أنواع الأخشاب والمعادن والمكونات المعدنية قد يكون ضاراً (ملازمة أو استنشاق الغبار قد تتسبب في إصابة المشغل أو من يجاوره بأمراض الحساسية) أو أمراض الجهاز التنفسي؛
- قم بارتداء قناع للغبار مع العمل باستخدام جهاز شطف للغبار، طالما أمكن توصيله
- ثمة أنواع معينة من الغبار تُصنّف على أنها مواد مسيئة للسرطان (مثل غبار خشب البليوط والزنان) خاصة عند استخدامها مع مواد مضافة لمعالجة الخشب:
- قم بارتداء قناع للغبار مع العمل باستخدام جهاز شطف للغبار، طالما أمكن توصيله
- التزم بالمتطلبات الوطنية الخاصة بالغبار عند العمل باستخدام المواد المطلوبة في حالة تعرض السلك للتلف أو لقطع أثناء العمل. لا تلمس السلك وافصل القابض فوراً
- يحظر نهائيًا استخدام الأداة في حالة تلف السلك، بل قم باستبداله من قبل أحد الأفراد المؤهلين
- تأكد دائماً من أن الفولت الزود هو نفسه المشار إليه على اللوحة الخاصة بالأداة (يكن كذلك توصيل الأدوات ذات التصنيف ٢٣٠ فولت أو ٢٤٠ فولت بمصدر إمداد ٢٢٠ فولت).
- إذا تعرض سن المقابض لانهيار غير متوقع (مسيباً رد فعل مفاجئ وخطير)، قم بإيقاف تشغيل المقابض على الفور:
- انتبه إلى القوى الناتجة عن الانهيار خاصة عند ثقب المعادن؛ استخدم دائماً المقبض المساعد G ① واتخذ وضعية آمنة:
- احرص دائماً على فصل القابض من مصدر الطاقة قبل القيام بأية عمليات ضبط أو تغيير أية ملحقات:

## الاستخدام

- التشغيل/إيقاف التشغيل ②
- التحكم بالسرعة الفصوي ⑤
- باستخدام العجلة B يمكن ضبط السرعة الفصوي من سرعة منخفضة لسرعة مرتفعة (١-١٠):
- تحديد وضع التشغيل ①
- ! قم بتحديد وضع التشغيل فقط عند إيقاف تشغيل الأداة وفصل القابض:
- اضغط على الزر C لفتح قفل الفتح D
- أولاً، قم بتدوير المفتاح D على وضع التشغيل المطلوب حتى ينقل على نحو مطبق وتسمع صوت القفل

- ثم قم بتدوير المفتاح E على وضع التشغيل المطلوب
- ١ = ثقب/اطرق عادي
- ٢ = ثقب عنيف
- ٣ = استخدام الأمريل
- ! أبدا العمل فقط عندما يكون المفتاح D مقفل:
- لثقب الخشب والمعدن والبلاستيك بالإضافة إلى فك براغي المهايئ ذو الصلة الذي يجب استخدامه (انظر: توصيات الاستخدام)
- يتم تنشيط آلية المطرقة من خلال الضغط الخفيف على الأداة عندما تلامس بقعة نقطة العمل.
- تستغرق آلية المطرقة وقتاً قصيراً للوصول إلى طاقة التأثير الفصوي
- لا تضغط بشدة على الأداة، بل تركها تقوم بالعمل من أجلك.
- تغيير السنون ⑤
- ! قم بتنظيف الملحق SDS+ وتنشيمه قليلاً قبل إدخاله في موضعه:
- قم بسحب جلبة القفل للخلف ① F وإدخال الملحق في ظرف SDS+ أثناء تدويره ودفعه حتى يستقر؛ يتم قفل الملحق في موضعه تلقائياً.
- قم بسحب الملحق للتفحص من قبله بشكل صحيح:
- قم بإزالة الملحق من خلال سحب جلبة القفل للخلف F
- ! يتطلب ملحق SDS+ حرية الحركة والتي تتسبب في حدوث انحراف عند تبريع حزمة الأداة؛ ومع ذلك يقوم الملحق بالتركز تلقائياً أثناء التشغيل بدون التأثير على دقة الثقب:
- ! لا تستخدم لقم/أزميل ذات ساق تافئة
- قابض الأمان
- إذا تعرض الملحق لانهيار، فستمنع مفاطعة التدوير إلى محور الدوران
- قم بإيقاف تشغيل الأداة على الفور:
- قم بإزالة الملحق المنحصر:
- قم بتنشيط الأداة مرة أخرى:
- ضبط عمق الثقب ④ A
- إمساك الأداة وتوجيهها ④ A
- ! أثناء العمل، امسك الأداة دائماً من منطقة (مناطق) المقبض رمادية اللون:
- استخدم دائماً المقبض المساعد G ① (يكن ضبطه كما هو موضح في الشكل).
- احرص على أن تكون فتحات التهوية H ② غير مغطاة:

## توصيات الاستخدام

- استخدام السنون الملائمة ⑤
- ! استخدم فقط لقم/أزميل حادة
- لثقب الخشب والمعدن والبلاستيك بالإضافة إلى فك براغي المهايئ ذو الصلة الذي يجب استخدامه (ملحق SKIL رقم ١٠٣٩٥٦٦٠ ⑥ H)
- قم بتنظيف المهايئ وتنشيمه قليلاً قبل إدخاله:
- قم بسحب جلبة القفل للخلف ① F وإدخال المهايئ في ظرف SDS+ أثناء تدويره ودفعه حتى يستقر؛ يتم قفل المهايئ في موضعه تلقائياً.
- قم بسحب المهايئ للتفحص ما إذا تم قفله بشكل صحيح:
- قم بضغط المفتاح D ① على ثقب عادي (يتم التنشيط فقط عند إيقاف تشغيل الأداة وفصل القابض).
- عند ثقب معادن حديدية
- عند الحاجة لثقب فتحة كبيرة، قم بعمل ثقب خضيري لفتحة صغيرة
- قم بتزيق سن المقابض من حين لآخر بالزيت
- عند ربط برغي في البارقر من طرف منقطع عرضي أو حافة قطع خشبية يجب عمل ثقب خضيري لفتحة، تفادياً لحدوث تشقق بالخشب:
- ثقب بدون تشطي في الخشب ⑦ A
- ثقب بدون غبار في الجدران ⑧ A
- ثقب بدون غبار في الأسقف ⑨ A
- ثقب في البلاط بدون التزلاق ⑩ A
- لمزيد من النصائح زور موقعنا [www.skil.com](http://www.skil.com)

## الصيانة / الخدمة

- لم يتم تصميم هذه الأداة للاستخدام الاحترافي:
- لا تقم أبداً بفتح الأداة بنفسك ⑪
- احرص دائماً على نظافة الأداة والسلك (وخصوصاً فحam التهوية H ②):
- ! أفضل القابض قبل التنظيف

- تم تصميم هذه الأداة للثقب العنيف في الخرسانة والطوب والحجارة كما يمكن استخدامه أيضًا في أعمال النحت الخفيفة: لثقب الأخشاب والمعادن والبيلاستيك وأيضا أعمال الفك يجب استخدام ملحقات خاصة:
- يفوق أداء نظام الطرق الموجود في هذه الأداة أي مثقاب تقليدي مزود بسقاطة عند ثقب الخرسانة:
- تم تصميم هذه الأداة للاستخدام مع كافة ملحقات SDS+ المعيارية:
- لم يتم تصميم هذه الأداة للاستخدام الاحترافي:
- أقرأ دليل التعليمات هذا واحتفظ به (٢)

## المواصفات الفنية (١)

\* قوة المطرفة المفردة حسب EN ٥٠٠٩٠ / IEC ٥٠٠٩٠ Procedure EPTA القيمة غير متاحة حتى الآن:

## مكونات الأداة (٢)

- A مفتاح للتشغيل/الإيقاف
- B عجلة للتحكم في السرعة القصوى
- C زر فتح القفل
- D مفتاح لتحديد وضع التشغيل:
- E المفتاح الثاني لاختيار وضع التشغيل
- F جلبة قفل:
- G مقبض مساعد
- H فتحات التهوية
- J مقياس العمق

## أمان

## تعليمات السلامة العامة

⚠ خذني! اقرأ جميع الملاحظات التحذيرية والتعليمات. إن ارتكاب الأخطاء عند تطبيق الملاحظات التحذيرية والتعليمات قد يؤدي إلى الصدمات الكهربائية، إلى نشوب الحرائق أو إلى الإصابة بجروح خطيرة. احتفظ بجميع الملاحظات التحذيرية والتعليمات للمستقبل. يقصد بمصطلح «العدة الكهربائية» المستخدم في الملاحظات التحذيرية، العدة الكهربائية الموصولة بالشبكة الكهربائية (بواسطة كابل الشبكة الكهربائية) وأيضا العدة الكهربائية الزودة بطارية (دون كابل الشبكة الكهربائية.)

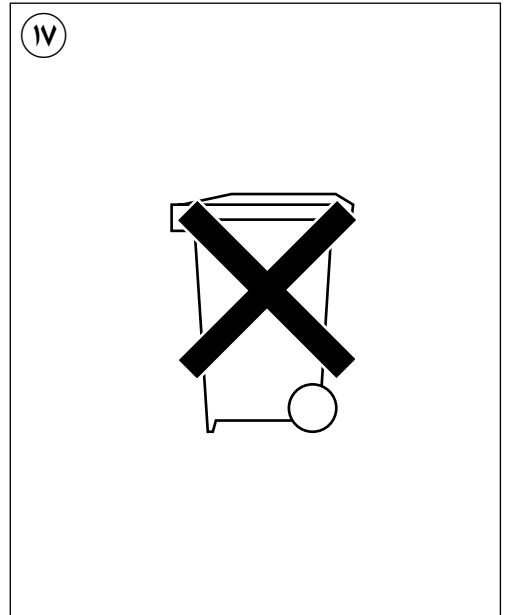
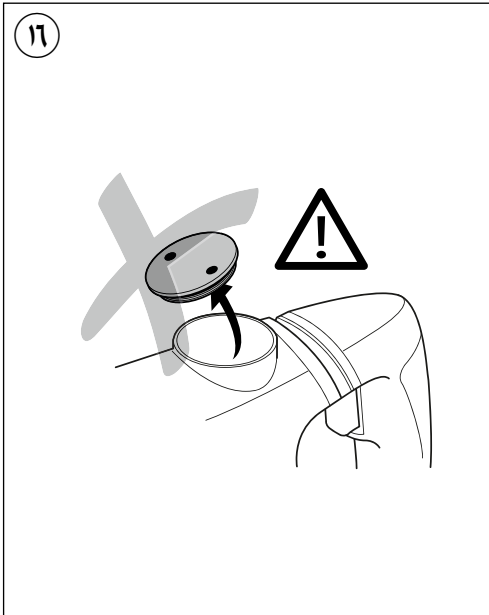
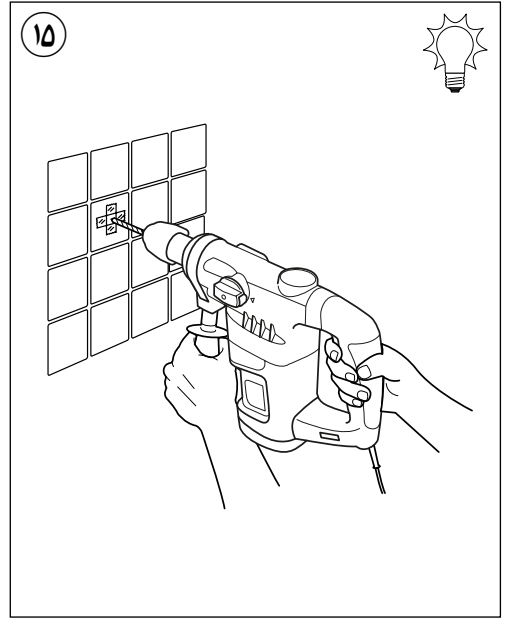
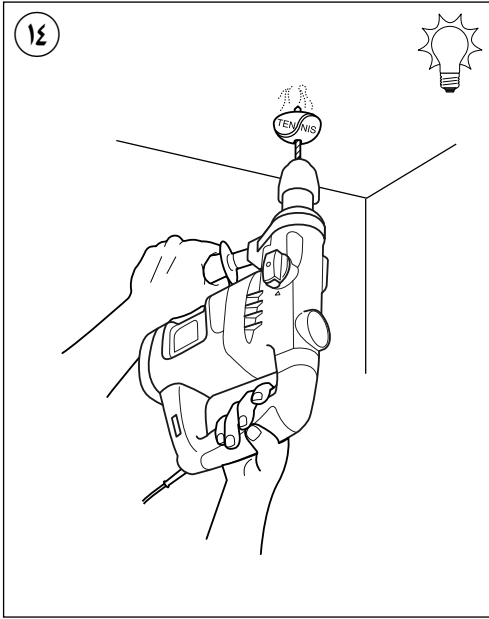
## ١) الأمان يمكن الشغل

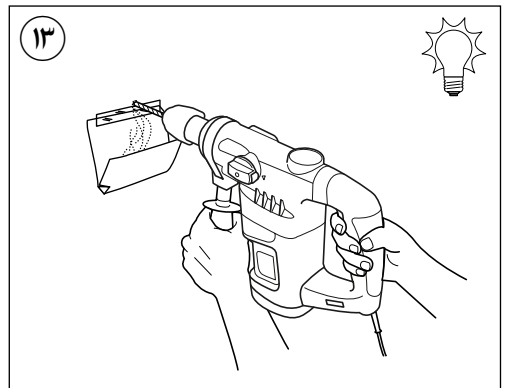
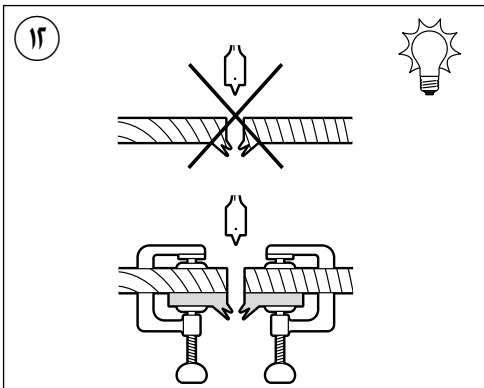
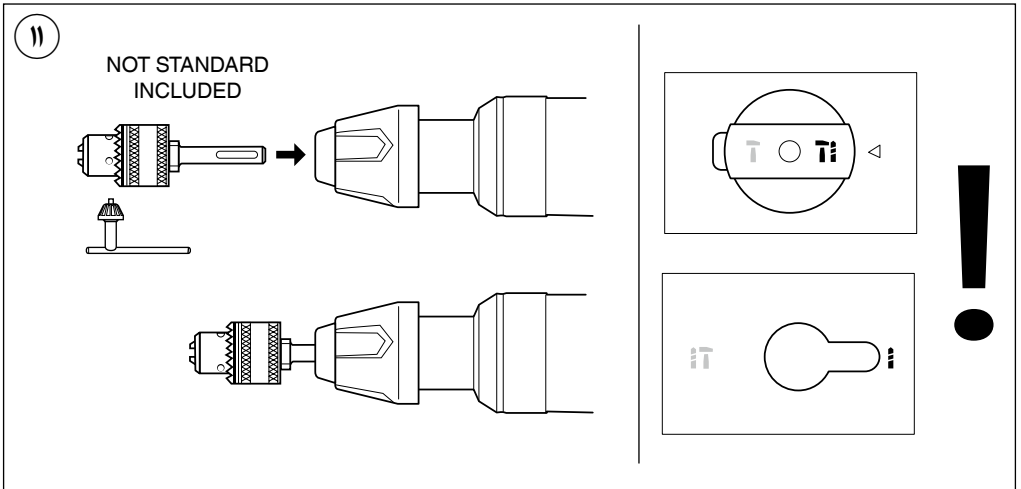
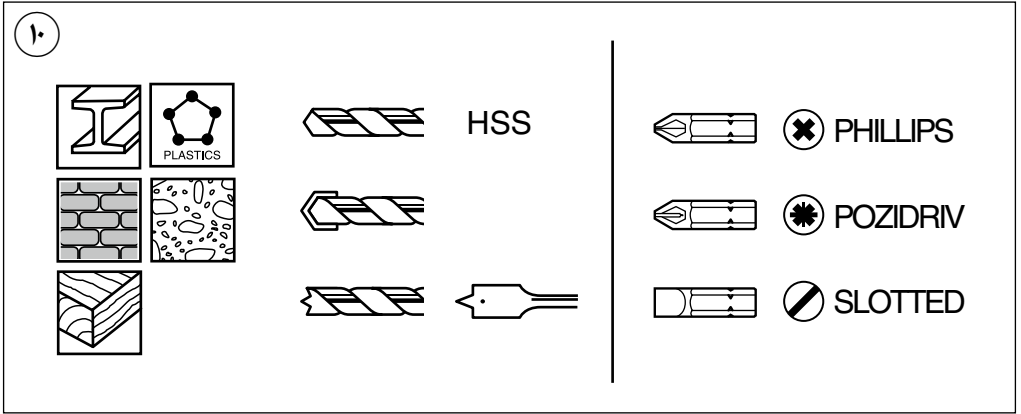
- ١) حافظ على نظافة وحسن إضاءة مكان شغلك. الفوضى في مكان الشغل ومجالات العمل الغير مضاءة قد تؤدي إلى حدوث الحوادث.
- ٢) لا تشغّل بالعدة الكهربائية في محيط معرض لخطر الانفجار والذي تتوفر فيه السوائل أو الغازات أو الأبخرة القابلة للاشتعال. العدة الكهربائية تشكل الشر الذي قد يتطاير، فيشعل الأبخرة والأخوة.
- ٣) حافظ على بقاء الأطفال وغيرهم من الأشخاص على بعد عندما تستعمل العدة الكهربائية. قد تفقد السيطرة على الجهاز عند التلوي.
- ٤) الأمان الكهربائي
- ١) يجب أن يتلامس قابس وصل العدة الكهربائية مع المقبس. لا يجوز تغيير القابس بأي حال من الأحوال. لا تستعمل القوايس الهائبة مع العدة الكهربائية المؤرّضة تأريض وفائي. تخفض القوايس التي لم يتم تغييرها والمقابس الملائمة من خطر الصدمات الكهربائية.
- ٢) جنب ملامسة السطوح المؤرّضة كالألوانين وارياتورات التدفئة والداقي أو البرادات بواسطة جسمك. يزداد خطر الصدمات الكهربائية عندما يكون جسمك مؤرض.
- ٣) أبعد العدة الكهربائية عن الأمطار أو الرطوبة. يزداد خطر الصدمات الكهربائية إن تسرب الماء إلى داخل العدة الكهربائية.
- ٤) يجب عدم إسائة استخدام الكابل. لا نسمح استعمال الكابل لحمل العدة الكهربائية أو تعليقها أو لسحب القابس من المقبس. حافظ على إبعاد

- الكابل عن الحرارة والزيت والحواف الحادة أو عن أجزاء الجهاز المتحركة. تزيد الكابلات المتألّفة من التشابكية من خطر الصدمات الكهربائية.
- ٢) استخدم فقط كابلات التمديد الصالحة للإستعمال الخارجي أيضا عندما تشغّل بالعدة الكهربائية في الخلاء. يخفض استعمال كابل تمديد مخصص للإستعمال الخارجي من خطر الصدمات الكهربائية.
- ٣) إن لم يكن بالإمكان عدم تشغيل العدة الكهربائية في الأجواء الرطبة. فاستخدم مفتاح للوقاية من التيار المتزود. إن استخدام مفتاح للوقاية من التيار المتزود يقلل خطر الصدمات الكهربائية.
- ٤) أمان الأشخاص
- ١) كن يقظا وأنتبه إلى ما تفعله وقيم بالعمل بواسطة العدة الكهربائية بتعقل.. لا تستخدم عدة كهربائية عندما تكون متعب أو عندما تكون تحت تأثير المخدرات أو الكحول أو الأدوية. عدم الإنتباه للحظة واحدة عند إستخدام العدة الكهربائية قد يؤدي إلى إصابة خطيرة.
- ٢) ارتد عناد الوقاية الخاص. ارتد دائما نظارات واقية. يجب إرتداء عناد الوقاية الخاص. كقناع الوقاية من الغبار وأذنية الأمان الواقية من الإرتزاق والحدود واقية الأذن. حسب نوع وإستعمال العدة الكهربائية. من خطر الإصابة بجروح.
- ٣) جنب التشغيل بشكل غير مقصود. تأكد من كون العدة الكهربائية مطفأة قبل وصلها بإمداد التيار الكهربائي أو بالتركم. وقبل رفعها أو حملها. إن كنت تضع إصبعك على المفتاح أثناء حمل العدة الكهربائية أو إن وصلت الجهاز بالشبكة الكهربائية عندما يكون قيد التشغيل. فقد يؤدي ذلك إلى حدوث الحوادث.
- ٤) انزع عدد الضغط أو مفتاح الربط قبل تشغيل العدة الكهربائية. قد تؤدي العدة أو الفتح الناجد في جزء دوار من الجهاز إلى الإصابة بجروح.
- ٥) جنب أوضاع الجسد غير الطبيعية. قف بأمان وحافظ على توازنك دائما. سيسمح لك ذلك من السيطرة على الجهاز بشكل أفضل في المواقف غير المتوقعة.
- ٦) ارتد ملابس مناسبة. لا ترتدي الثياب الفضفاضة أو الخلي. حافظ على إبقاء الشعر والثياب والقفازات على بعد عن أجزاء الجهاز المتحركة. قد تتشابك الثياب الفضفاضة والخلي والشعر الطويل بالأجزاء المتحركة.
- ٧) إن جاز تركيب جهاز شفط وجميع الغبار. فتأكد من أنها موصولة و بأنه يتم استخدامها بشكل سليم. قد يقلل استخدام تجهيزات لشفط الأبخرة من المخاطر الناجمة عن الأبخرة.
- ٨) حسن معاملة واستخدام العدة الكهربائية
- ١) لا تفرط في تحميل الجهاز. إستخدم لتنفيذ أشغالك العدة الكهربائية المخصصة لذلك. إنك تعمل بشكل أفضل وأكثر أمانا بواسطة العدة الكهربائية الملائمة في مجال الأداء المذكور.
- ٢) لا تستخدم العدة الكهربائية إن كان مفتاح تشغيلها تالف. العدة الكهربائية التي لم تعد تسمح بتشغيلها أو بإطفاؤها خطيرة ويجب أن يتم تصليحها.
- ٣) اسحب القوايس من المقبس و / أو انزع التركم قبل ضبط الجهاز وقبل إستبدال النوع أو قبل وضع الجهاز جانباً. تمنع إجراءات الاحتياط هذه تشغيل العدة الكهربائية بشكل غير مقصود.
- ٤) احتفظ بالعدد الكهربائية التي لا يتم إستخدامها بعيدا عن متال الأطفال. لا تسمح بإستخدام العدة الكهربائية لمن لاخبرة له بها أو لمن لم يقرأ تلك التعليمات. العدد الكهربائية خطيرة إن تم استخدامها من قبل أشخاص دون خبرة.
- ٥) اعتن بالعدة الكهربائية بشكل جيد. تفحص عما إذا كانت أجزاء الجهاز المتحركة تعمل بشكل سليم وبأنها غير مستعصية عن الحركة أو إن كانت هناك أجزاء مكسورة أو تالفة لدرجة تؤثر فيها على حسن أداء العدة الكهربائية. ينبغي تصليح هذه الأجزاء التالفة قبل إعادة تشغيل الجهاز. الكثير من الحوادث مصدرها العدد الكهربائية التي تم صيانتها بشكل ردي.
- ٦) حافظ على إبقاء عدد القطع نظيفة وحادة. إن عدد القطع ذات حواف القطع الحادة التي تم صيانتها بعناية تتكلس بشكل أقل وتكون توجيهها بشكل أيسر.
- ٧) استخدم العدد الكهربائية والنوع وعدد الشغل والخ حسب هذه التعليمات. تراعى أثناء ذلك شروط الشغل والعمل المراد تنفيذه. استخدام العدد الكهربائية لغير الأشغال المخصصة لأجلها قد يؤدي إلى حدوث الحالات الخطيرة.
- ٨) الخدمة
- ١) اسمح بتصليح عدتك الكهربائية فقط من قبل المتخصصين فقط وباستعمال قطع الغيار الأصلية. يؤمن ذلك المحافظة على أمان الجهاز.

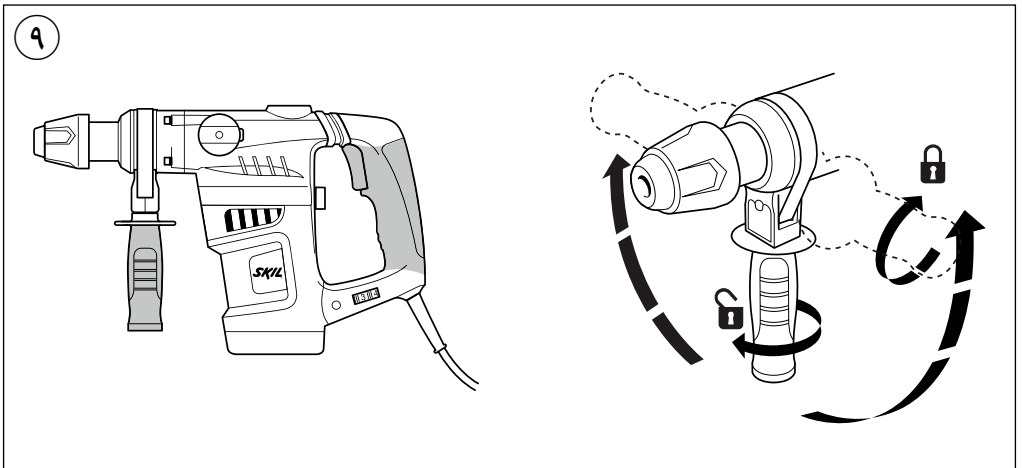
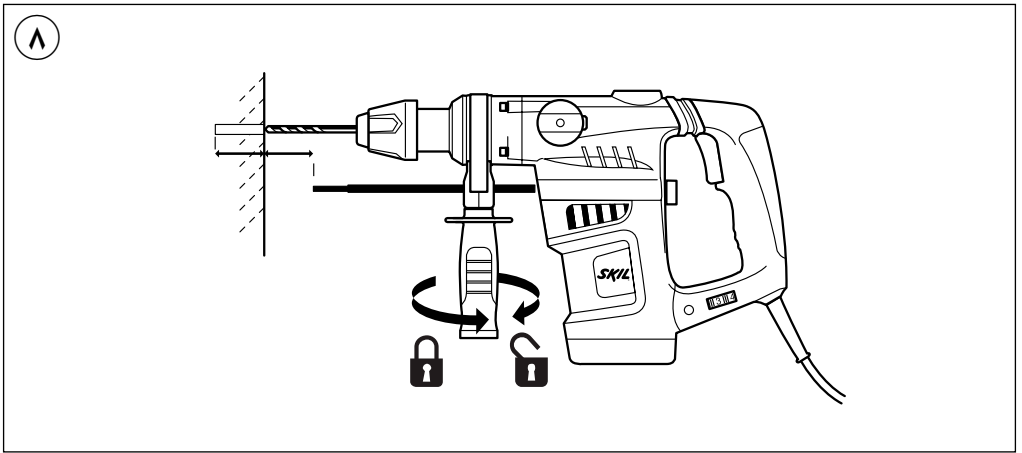
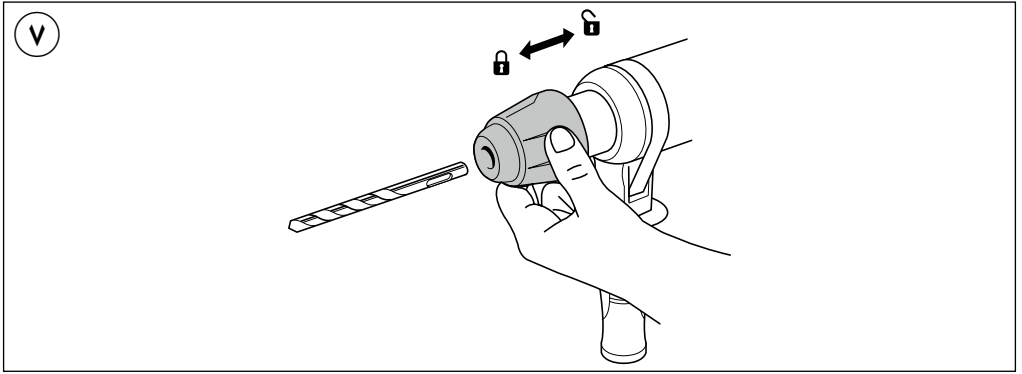
## تعليمات السلامة للمطارق

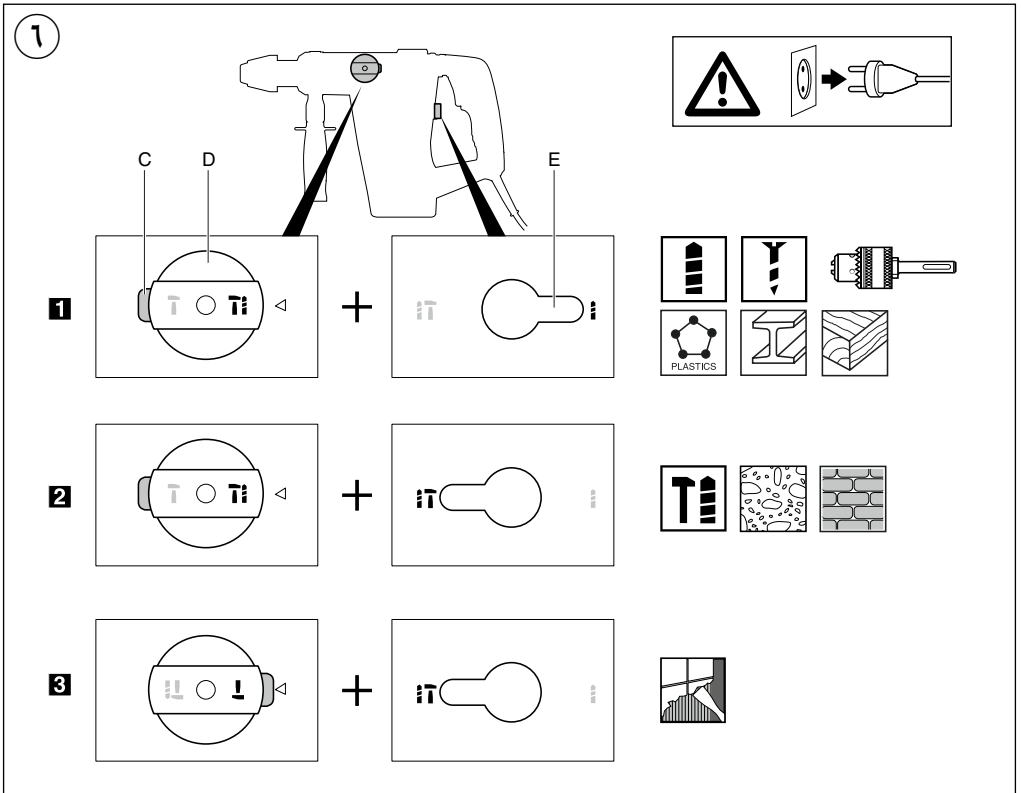
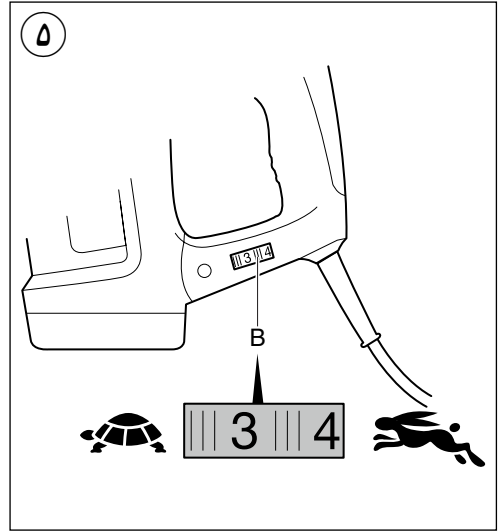
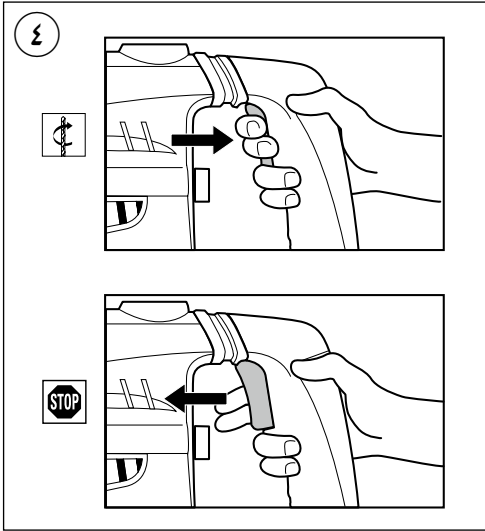
- قم بارتداه واقيات أذن (مخصص للضوضاء من الممكن أن يؤدي إلى فقدان حاسة السمع)











1

1766

1500  
Watt

5,3 kg  
EPTA 01/2003

n<sub>0</sub>  
0-800  
/min

SDS+

Fe  
13 mm

36 mm

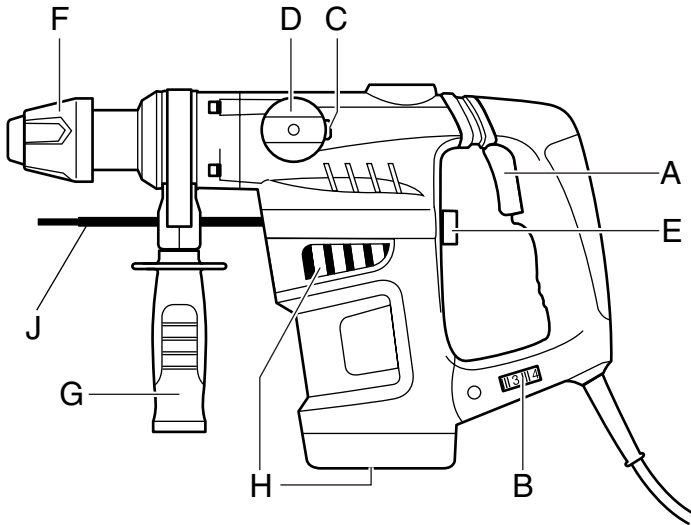
40 mm

0-2700  
p/min

4,5J power\*

220  
-  
240  
V~  
50-60 Hz

2



3



المطرفة  
1766

**SKIL**<sup>®</sup>



دليل الاستعمال

AR

راهنماي اصلي

FA



2610Z04657

12/13

سكيل أوروبا ب.د.ق. - كونينانبرج 60  
4825 ب.د. بريدا - هولندا



Сертификат о соответствии  
KZ.7500052.22.01.00044  
Срок действия сертификата о соответствии  
по 09.07.2018  
ТОО «Центр Сертификации продукции и услуг»  
г. Алматы, ул Кабанбай батыра,  
уг. Калдаякова 51/78

ДАТА ПРОИЗВОДСТВА