

SKIL®

WEED BRUSH 0700 (F0150700..)



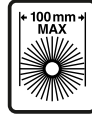
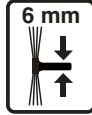
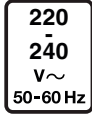
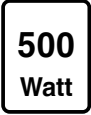
GB	ORIGINAL INSTRUCTIONS	6	UA	ОРИГІНАЛЬНА ІНСТРУКЦІЯ З ЕКСПЛУАТАЦІЇ	52
F	NOTICE ORIGINALE	8	GR	ΠΡΩΤΟΤΥΠΟ ΟΔΗΓΙΩΝ ΧΡΗΣΗΣ	56
D	ORIGINALBETRIEBSANLEITUNG	11	RO	INSTRUCȚIUNI DE FOLOSIRE ORIGINALE	58
NL	ORIGINELE GEBRUIKSAANWIJZING	14	BG	ОРИГИНАЛНО РЪКОВОДСТВО ЗА ЕКСПЛОАТАЦИЯ	61
S	BRUKSANVISNING I ORIGINAL	17	SK	PŔOVODNÝ NÁVOD NA POUŽITIE	65
DK	ORIGINAL BRUGSANVISNING	20	HR	ORIGINALNE UPUTE ZA RAD	68
N	ORIGINAL BRUKSANVISNING	23	SRB	ORIGINALNO UPUTSTVO ZA RAD	70
FIN	ALKUPERÄISET OHJEET	25	SLO	IZVIRNA NAVODILA	73
E	MANUAL ORIGINAL	28	EST	ALGUPÄRANE KASUTUSJUHEND	76
P	MANUAL ORIGINAL	31	LV	ORIĢINĀLĀ LIETOŠANAS PAMĀCĪBA	78
I	ISTRUZIONI ORIGINALI	34	LT	ORIGINALI INSTRUKCIJA	81
H	EREDETI HASZNÁLATI UTASÍTÁS	37	MK	ИЗБОРНО УПАТСТВО ЗА РАБОТА	84
CZ	PŔVODNÍM NÁVODEM K POUŽÍVÁNÍ	40	AL	UDHËZIMET ORIGINALE	87
TR	ORİJİNAL İŞLETME TALİMATI	42	AR	دليل الاستعمال	95
PL	INSTRUKCJA ORYGINALNA	45	FA	راهنمای اصلی	93
RU	ПОДЛИННИК РУКОВОДСТВА ПО ЭКСПЛУАТАЦИИ	48			

www.skil.com

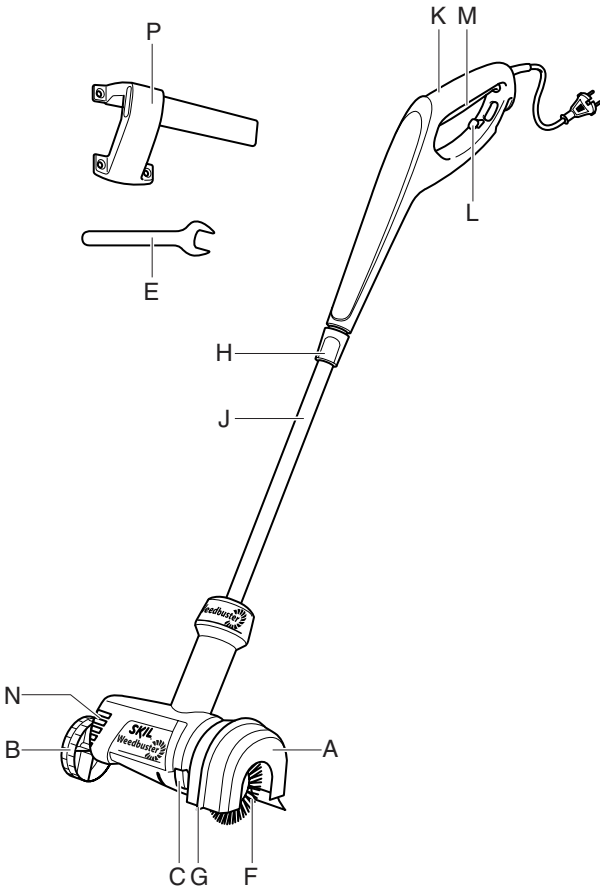


1

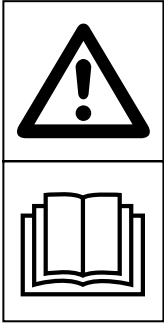
0700



2



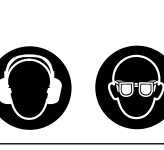
3



4

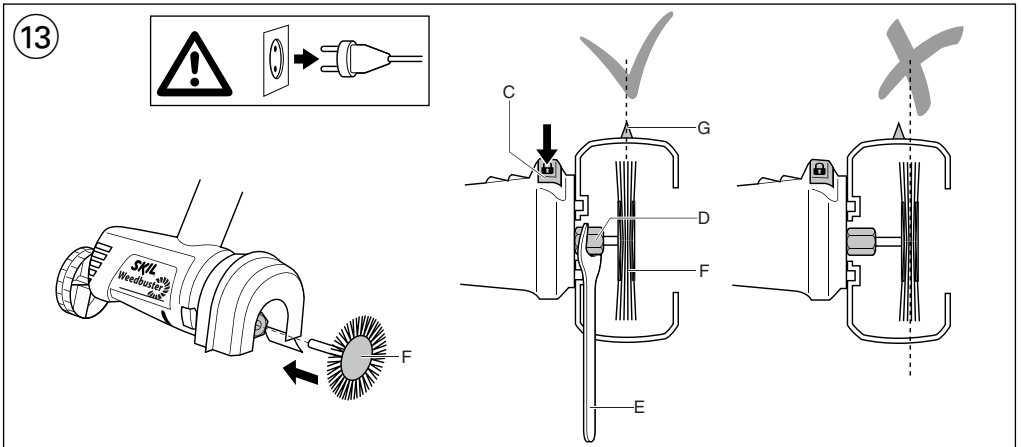
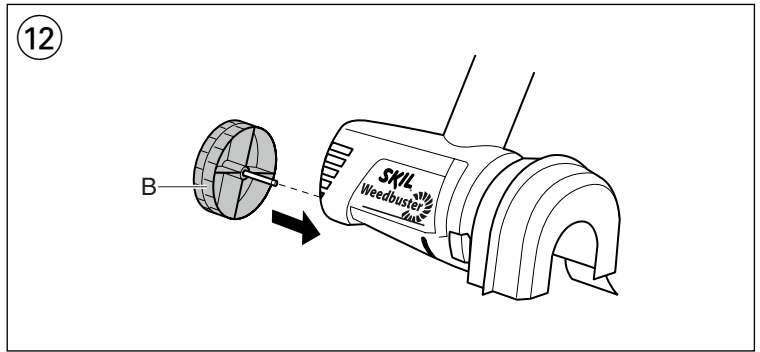
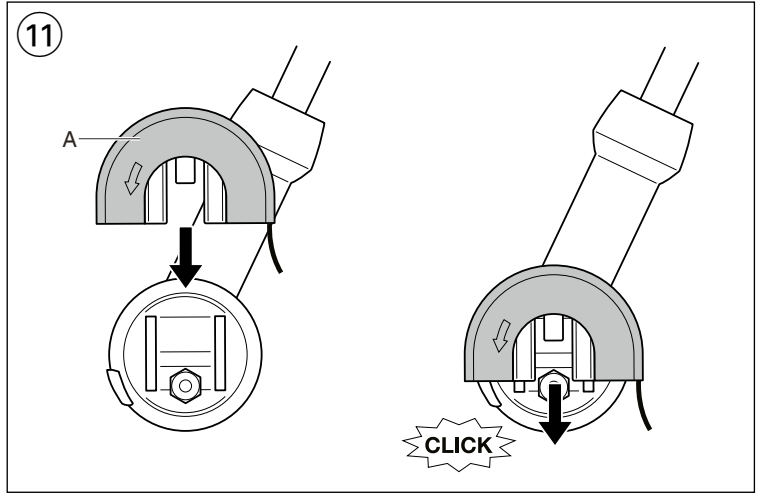
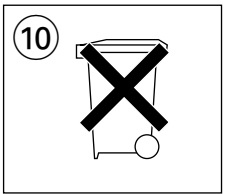
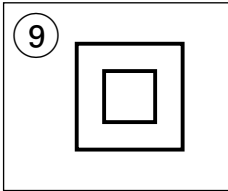
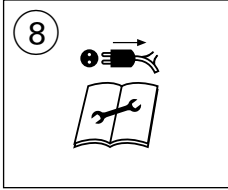
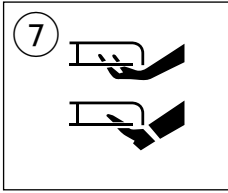


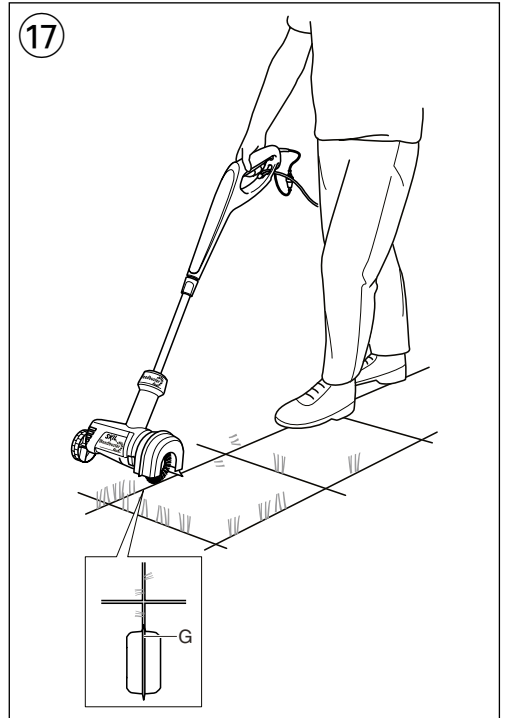
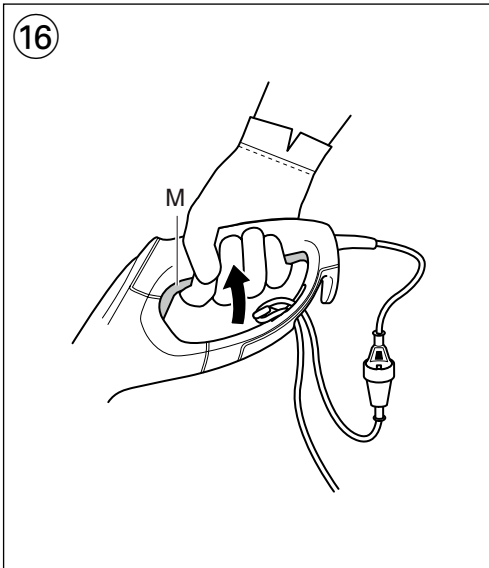
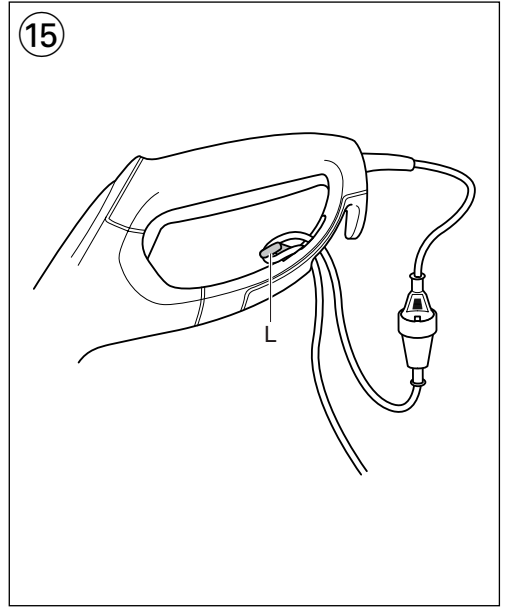
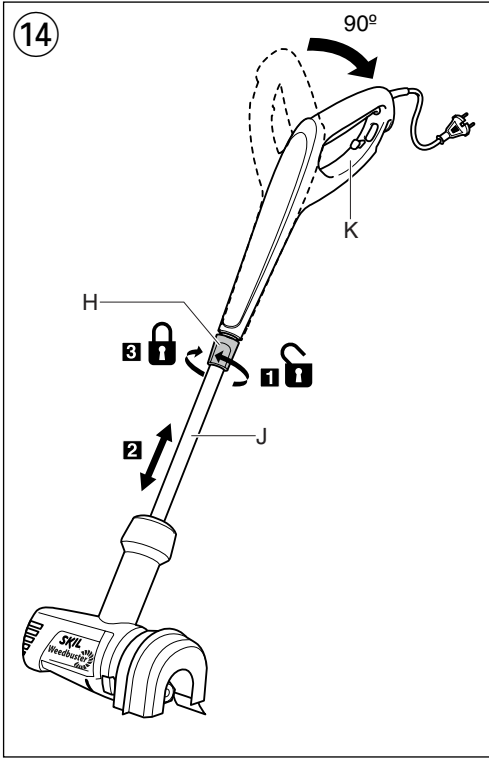
5



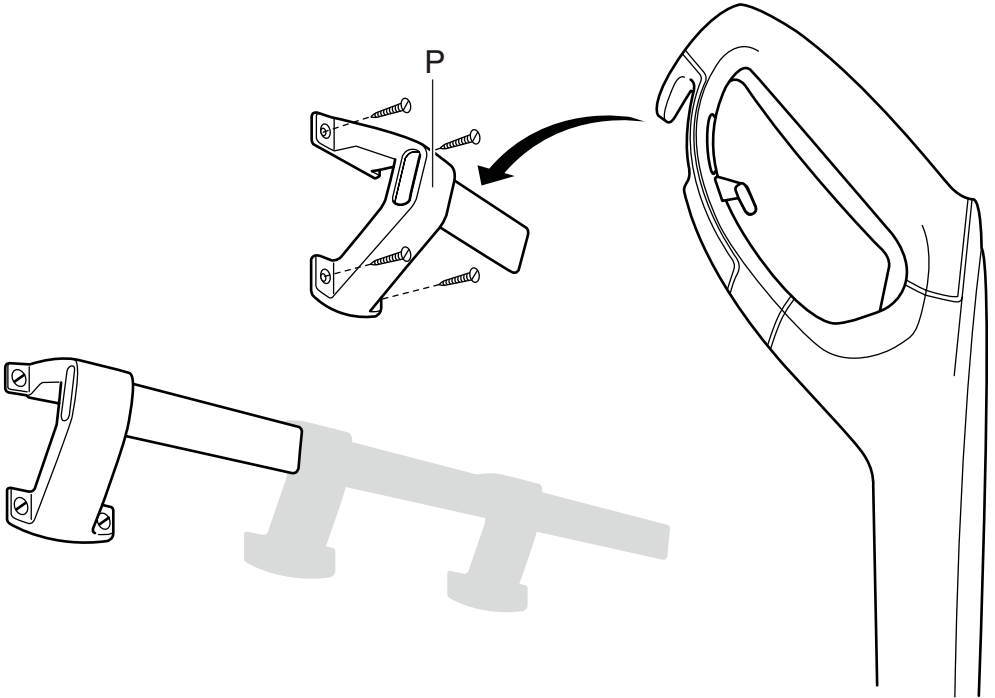
6







18



ACCESSORIES



WWW.SKIL.COM

Weed brush

0700

INTRODUCTION

- This tool has been designed for removing weed from terraces and between tiles
- This tool is not intended for professional use
- Check whether the packaging contains all parts as illustrated in drawing ②
- When parts are missing or damaged, please contact your dealer
- **Read this instruction manual carefully before use and save it for future reference ③**
- **Pay special attention to the safety instructions and warnings; failure to follow these may result in serious injury**

TECHNICAL DATA ①

TOOL ELEMENTS ②

- A Cutting guard
- B Wheel
- C Spindle-lock button
- D Collet nut
- E Wrench
- F Brush
- G Brush indicator
- H Locking sleeve
- J Telescopic tube
- K Handle
- L Cord restraint
- M Trigger switch
- N Ventilation slots
- P Storage rail (**screws not supplied**)

SAFETY

SPECIFIC SAFETY INSTRUCTIONS FOR WEED BRUSHES

GENERAL

- Be familiar with the controls and the proper use of the tool
- The user is responsible for accidents or hazards occurring to other people or their property
- Only use the tool when the ambient temperature is between 0°C and 40°C
- Never mount metal cutting elements onto this tool
- Do not use the tool for removing wet weed

PERSONAL SAFETY

- This tool is not intended for use by persons (including children) with reduced physical, sensory or mental capabilities, or lack of experience and knowledge, unless they have been given supervision or instruction concerning use of the tool by a person responsible for their safety
- Ensure that children do not play with the tool
- Never allow children or people who are not familiar with the operating instructions to use the tool
- Always wear eye protection, long trousers and sturdy shoes when operating the tool

- Never operate the tool with a damaged cutting guard or without the cutting guard mounted
- Never operate the tool in the direct vicinity of persons; stop using the tool when persons (especially children) or pets are nearby
- Never operate the tool when you are tired, sick or under the influence of drugs, alcohol or medication

ELECTRICAL SAFETY

- Always check that the supply voltage is the same as the voltage indicated on the nameplate of the tool (tools with a rating of 230V or 240V can also be connected to a 220V supply)
- Inspect the cord periodically and have it replaced by a qualified person, if damaged
- Inspect the extension cord periodically and replace it, if damaged (**inadequate extension cords can be dangerous**)
- Only use an extension cord which is intended for outdoor use and equipped with a watertight plug and coupling-socket
- Use completely unrolled and safe extension cords with a capacity of 16 Amps (U.K. 13 Amps)
- When operating the tool use a residual current device (RCD) with a triggering current of 30 mA maximum
- Do not run over, crush or pull the (extension) cord
- Protect the (extension) cord from heat, oil and sharp edges
- Keep the (extension) cord away from the rotating brush
- Always switch off tool and disconnect plug from power source if the power supply cord or the extension cord is cut, damaged or entangled (**do not touch the cord before disconnecting the plug**)

BRUSHES

- SKIL can assure flawless functioning of the tool only when original accessories are used
- Only mount brushes of which the maximum speed ("RPM") is higher than the rotations per minute marked on the tool
- Only use brushes with a maximum diameter of 100 mm
- Do not use worn brushes
- Rust stains or other signs of chemical or mechanical changes of the material that hold the brush threads may cause premature brush disfunctioning
- Store brushes in a suitable place in such a way that they are protected against the following influences:
 - high atmospheric humidity, heat, water or other fluids which could damage the brush
 - acids or acid vapours, which could damage the brush
 - low ambient temperatures causing condensation on the brush when stored in an area with higher ambient temperatures
 - deformation of whatever part of the brush

BEFORE USE

- Only use the tool in daylight or with appropriate artificial lighting
- Check the functioning of the tool before each use and after any impact; in case of a defect, have it repaired immediately by a qualified person (never open the tool yourself)
- Remove any adjusting key or wrench before turning the power tool on (**a wrench or a key left attached to a rotating part of the power tool may result in personal injury**)

- Before use, thoroughly inspect the cutting area and remove any object that the tool may sling during cutting (such as stones, loose pieces of wood, etc.)

DURING USE

- Only use the tool in an vertical position, with the brush pointing to the ground (**never switch on the tool in another position**)
- Operate the tool at a walking pace only (do not run)
- Do not cross roads or gravel paths with the tool still running
- Do not get distracted and always concentrate on what you are doing
- Always ensure that the ventilation openings are kept clear of debris

AFTER USE

- The brush continues to rotate for a short time after the tool is switched off (**do not touch the rotating brush**)
- Always disconnect plug from power source
 - whenever leaving the tool unattended
 - before clearing jammed material
 - before checking, cleaning or working on the tool
 - after striking a foreign object
 - whenever the tool starts vibrating abnormally
- Before you put down the tool, switch off the motor and ensure that all moving parts have come to a complete standstill
- Store the tool **indoors** in a dry and locked-up place, out of reach of children

EXPLANATION OF SYMBOLS ON TOOL

- ③ **Warning!** Read the instruction manual
- ④ Do not expose tool to rain
- ⑤ Wear protective glasses and hearing protection
- ⑥ **Pay attention to the risk of injury caused by flying debris** (keep bystanders a safe distance away from work area)
- ⑦ Always keep hands and feet away from rotating parts
- ⑧ Switch off and disconnect plug before cleaning/ maintenance or if (extension) cord is damaged or entangled
- ⑨ Double insulation (no earth wire required)
- ⑩ Do not dispose of the tool together with household waste material

WHEN CONNECTING NEW 3-PIN PLUG (U.K. ONLY):

- If for any reason the old plug is cut off the cord of this tool, it must be disposed of safely and not left unattended
- Do not connect the blue (= neutral) or brown (= live) wire in the cord of this tool to the earth terminal of the plug

USE

- Assembly instructions
 - ! **always disconnect the plug before mounting/removing the brush**
 - slide guard A over motor housing as illustrated until it clicks into place ⑪
 - mount wheel B onto motor housing as illustrated until it clicks into place ⑫
 - push spindle-lock button C and hold it while you loosen collet nut D with wrench E ⑬
 - mount brush F with its centre in line with brush indicator G
 - tighten collet nut D with wrench E while pushing spindle-lock button C

! **replace the brush when it is worn (SKIL accessory number 2610Z02973)**

- Height adjustment ⑭
 - loosen locking sleeve H by turning it clockwise
 - ! **when using tool for the first time, rotate handle K 90° after loosening locking sleeve H**
 - extend tube J to the desired height
 - tighten locking sleeve H by turning it counter-clockwise
 - ! **do not force the tool when extending/retracting the tube to desired height**
- Cord restraint ⑮
 - hook the loop in the extension cord over restraint L as illustrated
 - pull tight to secure the extension cord
- On/off ⑯
 - switch on tool by pressing trigger switch M
 - switch off tool by releasing trigger switch M
 - ! **after switching off the tool the brush continues to rotate for a few seconds**
 - allow the brush to stop rotating before switching on again
 - ! **do not rapidly switch on and off**
- Before using the tool
 - ensure that brush F ⑬ is correctly mounted and that collet nut D ⑬ is firmly tightened
 - test-run tool for at least 30 seconds at highest no-load speed in a safe position
 - stop immediately in case of considerable vibration or other defects and check tool to determine the cause
- Removing weed
 - ! **ensure that the cutting area is free of stones, debris and other foreign objects**
 - ensure that the bottom side of the tool is kept in a level position
 - start working only when motor is running
 - start working near the mains socket and move away while working
 - keep the tool away from solid objects and plants
 - do not use the tool in one spot too long
 - do not overload the tool
- Holding and guiding the tool ⑰
 - hold the tool firmly with one hand
 - guide the tool at a constant speed over the surface to be worked on
 - maintain a stable working position
 - always hold the tool well away from your body

APPLICATION ADVICE

- For best results test-run the tool on a small part of the surface and check if the tiles do not get damaged
- Regular weeding helps to avoid persistent weed
- For more tips see www.skil.com

MAINTENANCE / SERVICE

- This tool is not intended for professional use
- Always keep tool and cord clean
 - ! **disconnect the plug before cleaning**
 - regularly clean ventilation slots N ② with a soft cloth
 - regularly remove dirt from cutting guard A ② with a soft brush

- Storage ⑱
 - store the tool **indoors** in a dry and locked-up place, out of reach of children
 - securely mount storage rail P on the wall with 4 screws (**not supplied**) and horizontally leveled
- If the tool should fail despite the care taken in manufacturing and testing procedures, repair should be carried out by an after-sales service centre for SKIL power tools
 - send the tool **undismantled** together with proof of purchase to your dealer or the nearest SKIL service station (addresses as well as the service diagram of the tool are listed on www.skil.com)

TROUBLESHOOTING

- The following listing shows problem symptoms, possible causes and corrective actions (if these do not identify and correct the problem, contact your dealer or service station)
 - ! **switch off the tool and disconnect the plug before investigating the problem**
- ★ Tool does not operate
 - power supply socket faulty -> use another socket
 - extension cord damaged -> replace extension cord
 - brush incorrectly mounted -> mount brush again
- ★ Tool operates intermittently
 - internal wiring defective -> contact dealer/service station
 - on/off switch defective -> contact dealer/service station
- ★ Weed is not removed completely
 - brush damaged/worn -> replace brush

ENVIRONMENT

- **Do not dispose of electric tools, accessories and packaging together with household waste material** (only for EU countries)
 - in observance of European Directive 2012/19/EC on waste of electric and electronic equipment and its implementation in accordance with national law, electric tools that have reached the end of their life must be collected separately and returned to an environmentally compatible recycling facility
 - symbol ⑩ will remind you of this when the need for disposing occurs

DECLARATION OF CONFORMITY C E

- We declare under our sole responsibility that the product described under "Technical data" is in conformity with the following standards or standardization documents: EN 60335, EN 61000, EN 55014 in accordance with the provisions of the directives 2006/95/EC, 2004/108/EC, 2006/42/EC, 2000/14/EC, 2011/65/EU
- **Technical file at:** SKIL Europe BV (PT-SEU/ENG1), 4825 BD Breda, NL

Marijn van der Hoofden
Operations & Engineering

Olaf Dijkgraaf
Approval Manager

SKIL Europe BV, 4825 BD Breda, NL

19.12.2013

CE11

NOISE/VIBRATION

- Measured in accordance with EN 60335 the sound pressure level of this tool is 68 dB(A) and the sound power level 88 dB(A) (standard deviation: 3 dB), and the vibration 3.2 m/s² (hand-arm method; uncertainty K = 1.5 m/s²)
- Measured in accordance with 2000/14/EC (EN/ISO 3744) the guaranteed sound power level LWA is lower than 91 dB(A) (conformity assessment procedure according to Annex VI)
 - Notified body : KEMA, Arnhem, NL
 - Notified body identification number : 0344
- The vibration emission level has been measured in accordance with a standardised test given in EN 60335; it may be used to compare one tool with another and as a preliminary assessment of exposure to vibration when using the tool for the applications mentioned
 - using the tool for different applications, or with different or poorly maintained accessories, may significantly **increase** the exposure level
 - the times when the tool is switched off or when it is running but not actually doing the job, may significantly **reduce** the exposure level
- ! **protect yourself against the effects of vibration by maintaining the tool and its accessories, keeping your hands warm, and organizing your work patterns**

F

Brosse à mauvaises herbes 0700

INTRODUCTION

- Cet outil a été conçu pour enlever les mauvaises herbes des terrasses et entre les carreaux
- Cet outil n'est conçu pour un usage professionnel
- Vérifiez que le conditionnement contient toutes les pièces présentées dans le schéma ②
- Lorsque des pièces manquent ou sont endommagées, veuillez contacter votre distributeur
- **Lisez attentivement ce manuel d'instruction avant d'utiliser l'outil et conservez-le pour pouvoir vous y référer ultérieurement** ③
- **Prêtez attention aux consignes de sécurité et aux avertissements; ne pas suivre ces instructions peut entraîner des graves blessures**

CARACTERISTIQUES TECHNIQUES ①

ELEMENTS DE L'OUTIL ②

- A Protection de coupe
- B Roue
- C Bouton de blocage de l'arbre
- D Chapeau
- E Clé
- F Brosse
- G Indicateur de brosse
- H Douille de verrouillage
- J Tube télescopique
- K Poignée

- L Dispositif d'immobilisation du cordon d'alimentation
- M Gâchette
- N Fentes de ventilation
- P Rail de rangement (**vis non fournies**)

SECURITE

CONSIGNES DE SÉCURITÉ SPÉCIFIQUES POUR LES BROSSES A MAUVAISES HERBES

GENERALITES

- Familiarisez-vous avec les commandes et le bon fonctionnement de l'outil
- L'utilisateur est responsable des accidents ou dangers qu'encourent d'autres personnes ou leurs biens
- Utilisez uniquement l'outil lorsque la température ambiante est située entre 0°C et 40°C
- Ne montez jamais d'éléments de coupe métalliques sur cet outil
- N'utilisez pas l'outil pour enlever des mauvaises herbes humides

SECURITE DES PERSONNES

- Cet outil n'a pas été conçu pour être utilisé par des personnes (y compris des enfants) dont les capacités physiques, sensorielles ou mentales sont réduites, ou manquant d'expérience ou de connaissances, excepté si elles ont fait l'objet d'une surveillance ou ont reçu des instructions concernant l'utilisation de l'outil par une personne responsable de leur sécurité
- Veillez à ce que les enfants ne jouent pas avec l'outil
- Ne laissez jamais d'enfants ou de personnes ne connaissant pas les instructions de fonctionnement employer l'outil
- Portez toujours des lunettes de protection, de long pantalons et des chaussures robustes lorsque vous utilisez l'outil
- N'utilisez jamais l'outil avec une protection de coupe endommagée ou sans avoir monté cette dernière
- Ne faites jamais fonctionner l'outil à proximité immédiate de personnes ; arrêtez de l'utiliser lorsque des personnes (surtout des enfants) ou des animaux se trouvent à proximité
- N'utilisez pas cet outil si vous êtes fatigué, malade ou sous l'influence de drogues, d'alcool ou de médicaments

SECURITE RELATIVE AU SYSTEME ELECTRIQUE

- Contrôlez toujours si la tension secteur correspond à la tension indiquée sur la plaquette signalétique de l'outil (les outils conçus pour une tension de 230V ou 240V peuvent également être branchés sur 220V)
- Contrôlez régulièrement l'état du câble et faites-le remplacer par un technicien qualifié au besoin
- Vérifiez de temps en temps la rallonge et remplacez-la si elle est endommagée (**des allonges inappropriées peuvent être dangereuses**)
- Utilisez uniquement une rallonge spéciale pour l'extérieur et équipée d'une fiche et d'une prise de raccordement étanches
- Utilisez un câble de prolongement complètement déroulé et de bonne qualité d'une capacité de 16 A
- Lors de l'utilisation de l'outil dans des environnements humides, utilisez un interrupteur différentiel avec un courant de réaction de 30 mA maximum

- N'écrasez pas, ne coincez pas et ne tirez pas sur le câble/la rallonge
- Protégez le câble/la rallonge de la chaleur, de l'huile et des arêtes vives
- Maintenez le câble (de rallonge) à distance de la brosse qui tourne
- Eteignez toujours l'outil et débranchez la fiche de l'alimentation si le câble d'alimentation ou la rallonge est coupé, endommagé ou entremêlé (**ne touchez pas le câble avant de débrancher la fiche**)

BROSSES

- SKIL ne peut se porter garant du bon fonctionnement de cet outil que s'il a été utilisé avec les accessoires d'origine
- Ne montez que des brosses dont la vitesse maximale ("RPM") est supérieure aux rotations par minute indiquées sur l'outil
- Utilisez seulement des brosses d'un diamètre maximum de 100 mm
- N'utilisez pas de brosses usées
- Les taches de rouille et autres signes de modifications chimiques ou mécaniques du matériel qui maintient les filetages de brosse peuvent entraîner un mauvais fonctionnement prématuré des brosses
- Rangez les brosses dans un endroit approprié de sorte qu'elles soient protégées des influences suivantes :
 - humidité atmosphérique élevée, chaleur, eau ou autres liquides qui pourraient endommager la brosse
 - acides ou vapeurs acides, qui pourraient endommager la brosse
 - températures ambiantes basses, causant une condensation sur la brosse si elle est stockée dans une zone ayant des températures ambiantes supérieures
 - déformation d'une partie de la brosse, quelle qu'elle soit

AVANT L'USAGE

- N'utilisez l'outil qu'à la lumière du jour ou sous une lumière artificielle appropriée
- Contrôlez le fonctionnement de l'outil avant chaque manipulation et après tout impact ; en cas d'anomalies, faites-le réparer immédiatement par une personne qualifiée (n'ouvrez jamais l'outil vous-même)
- Enlevez toute clé avant de mettre l'outil en fonctionnement (**une clé se trouvant sur une partie en rotation peut causer des blessures**)
- Avant toute utilisation, inspectez soigneusement la zone de coupe et enlevez tout objet que l'outil pourrait projeter lors de la coupe (notamment des pierres, des morceaux de bois détachés, etc.)

PENDANT L'USAGE

- Utilisez uniquement l'outil en position verticale, la brosse pointant vers le sol (**n'activez jamais l'outil dans une autre position**)
- Utilisez uniquement l'outil en marchant (il ne faut pas courir)
- Ne traversez pas les routes ou les sentiers en gravier si l'outil fonctionne encore
- Ne soyez pas distrait et concentrez-vous toujours sur ce que vous faites
- Assurez-vous que les ouvertures prévues pour l'aération soient toujours dégagées d'éventuels débris

APRES L'USAGE

- La brosse continue à tourner un petit moment après la mise à l'arrêt de la machine (**ne touchez pas à la brosse qui tourne**)
- Débranchez toujours la fiche de l'alimentation
 - lorsque vous laissez l'outil sans surveillance
 - avant d'enlever des matières coincées
 - avant de vérifier, nettoyer ou travailler sur l'outil
 - après avoir heurté un corps étranger
 - chaque fois que l'outil commence à vibrer de façon anormale
- Avant de déposer l'outil, mettez le moteur hors service et s'assurez que toutes les pièces mobiles se sont complètement arrêtées
- Rangez l'outil à l'intérieur dans un endroit sec et fermer à clé, hors de la portée des enfants

EXPLICATION DES SYMBOLES SUR L'OUTIL

- ③ **Avertissement** ! Lisez le manuel d'instruction
- ④ N'exposez pas l'outil à l'humidité
- ⑤ Utilisez des lunettes de protection et des casques anti-bruit
- ⑥ **Soyez attentif au risque de blessures engendré par des particules qui volent en éclat** (tenez les badauds à bonne distance de la zone de travail)
- ⑦ Gardez toujours les mains et les pieds à distance des pièces rotatives
- ⑧ Arrêtez et débranchez la fiche avant tout nettoyage/toute maintenance ou si le câble (la rallonge) est endommagé(e) ou entremêlé(e)
- ⑨ Double-isolation (ne nécessite pas de mise à la terre)
- ⑩ Ne jetez pas l'outil dans les ordures ménagères

UTILISATION

- Instructions de montage
 - ! **débranchez toujours la fiche avant de monter/d'enlever la brosse**
 - faites glisser la protection A au-dessus du logement du moteur comme illustré, jusqu'à ce qu'il se clique en place ①
 - montez la roue B sur le logement du moteur comme illustré, jusqu'à ce qu'il se clique en place ②
 - poussez le bouton de blocage de l'arbre C et maintenez-le appuyé pendant que vous desserrez le chapeau D avec la clé E ③
 - montez la brosse F en la centrant avec l'indicateur de brosse G
 - serrez l'écrou de la douille D avec la clé E tout en appuyant sur le bouton de blocage de l'arbre C
 - ! **remplacez la brosse lorsqu'elle est usée (numéro d'accessoire SKIL 2610Z02973)**
- Ajustement de la hauteur④
 - desserrez la douille de verrouillage H en la faisant tourner dans le sens des aiguilles d'une montre
 - ! **lorsque vous utilisez l'outil pour la première fois, faites tourner le levier K de 90° après avoir desserré la douille de verrouillage H**
 - étendez le tube J jusqu'à l'obtention de la hauteur souhaitée
 - serrez la douille de verrouillage H en la faisant tourner dans le sens inverse des aiguilles d'une montre
 - ! **ne forcez pas l'outil en allongeant/rétractant le tube pour obtenir la hauteur souhaitée**

- Dispositif d'immobilisation du cordon d'alimentation ⑮
 - accrochez la boucle dans le dispositif d'immobilisation de la rallonge L comme indiqué
 - tirez fort pour bien serrer la rallonge
- Marche/arrêt ⑯
 - mettez en marche l'outil en appuyant la gâchette M
 - arrêtez l'outil en relâchant la gâchette M
 - ! **après avoir coupé l'outil, la brosse continue à tourner durant quelques secondes**
 - laissez la brosse s'arrêter de tourner avant de reconnecter l'outil
 - ! **ne mettez pas rapidement en marche et à l'arrêt**
- Avant toute utilisation
 - veillez à ce que la brosse F ⑬ soit bien montée et à ce que l'écrou de la douille D ⑬ soit bien serré
 - testez l'outil à vide au moins 30 secondes à vitesse maximum dans une position de sécurité
 - arrêtez l'outil immédiatement dans le cas de vibrations considérables ou la présence d'autres défauts et vérifiez l'outil pour en déterminer la cause
- Enlèvement des mauvaises herbes
 - ! **veillez à ce que la zone de coupe soit dégagée des pierres, des débris et autres objets étrangers**
 - veillez à ce que la base de l'outil soit à niveau
 - commencez uniquement à travailler lorsque le moteur fonctionne
 - commencez à travailler près de la prise de courant et écartez-vous de la prise en travaillant
 - éloignez l'outil des objets et des plantes durs
 - n'utilisez pas l'outil trop longtemps au même endroit
 - ne surchargez pas l'outil
- Tenue et guidage de l'outil ⑰
 - tenez l'outil fermement dans une main
 - guidez l'outil à vitesse constante sur la surface à traiter
 - conservez une position de travail stable
 - tenez toujours l'outil à bonne distance du corps

CONSEILS D'UTILISATION

- Pour de meilleurs résultats, testez l'outil sur une petite surface et vérifiez que les carreaux ne sont pas endommagés
- Un désherbage régulier permet d'éviter les mauvaises herbes permanentes
- Pour des suggestions complémentaires voyez www.skil.com

ENTRETIEN / SERVICE APRES-VENTE

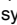
- Cet outil n'est pas conçu pour un usage professionnel
- Gardez toujours votre outil et le câble propres
 - ! **débranchez la fiche avant le nettoyage**
 - nettoyez régulièrement les fentes de ventilation N ② avec un chiffon doux
 - enlevez régulièrement la saleté de la protection de coupe A ② avec une brosse douce
- Rangement ⑱
 - rangez l'outil à l'intérieur dans un endroit sec et fermer à clé, hors de la portée des enfants
 - montez convenablement le rail de rangement P sur le mur avec 4 vis (**non fournies**) et bien mis à niveau

- Si, malgré tous les soins apportés à la fabrication et au contrôle de l'outil, celui-ci devait avoir un défaut, la réparation ne doit être confiée qu'à une station de service après-vente agréée pour outillage SKIL
 - retournez l'outil **non démonté** avec votre preuve d'achat au revendeur ou au centre de service après-vente SKIL le plus proche (les adresses ainsi que la vue éclatée de l'outil figurent sur www.skil.com)

DÉPANNAGE

- Le listing suivant indique les symptômes de problèmes, les causes éventuelles et les actions correctives (si celles-ci n'identifient pas et ne corrigent pas le problème, contactez votre fournisseur ou la station-service)
 - ! **arrêtez l'outil et débranchez la fiche avant d'examiner le problème**
- ★ L'outil ne fonctionne pas
 - prise de l'alimentation en faute -> utilisez une autre prise
 - rallonge endommagée -> remplacez la rallonge
 - brosse mal montée -> remonter la brosse
- ★ L'outil fonctionne par intermittence
 - câble interne défectueux -> contactez le fournisseur/la station-service
 - câble marche/arrêt défectueux -> contactez le fournisseur/la station-service
- ★ Il reste encore des mauvaises herbes
 - brosse endommagée/usée -> remplacer la brosse

ENVIRONNEMENT

- **Ne jetez pas les outils électriques, les accessoires et l'emballage dans les ordures ménagères** (pour les pays européens uniquement)
 - conformément à la directive européenne 2012/19/EG relative aux déchets d'équipements électriques ou électroniques, et à sa transposition dans la législation nationale, les outils électriques usés doivent être collectés séparément et faire l'objet d'un recyclage respectueux de l'environnement
 - le symbole  vous le rappellera au moment de la mise au rebut de l'outil

DÉCLARATION DE CONFORMITÉ CE

- Nous déclarons sous notre propre responsabilité que le produit décrit sous "Caractéristiques techniques" est en conformité avec les normes ou documents normatifs suivants: EN 60335, EN 61000, EN 55014 conformément aux termes des réglementations en vigueur 2006/95/CE, 2004/108/CE, 2006/42/CE, 2000/14/CE, 2011/65/UE
- **Dossier technique auprès de:** SKIL Europe BV (PT-SEU/ENG1), 4825 BD Breda, NL

Marijn van der Hoofden
Operations & Engineering

Olaf Dijkgraaf
Approval Manager

SKIL Europe BV, 4825 BD Breda, NL

19.12.2013




BRUIT/VIBRATION

- Mesuré selon EN 60335 le niveau de la pression sonore de cet outil est 68 dB(A) et le niveau de la puissance sonore 88 dB(A) (déviation standard: 3 dB), et la vibration 3,2 m/s² (méthode main-bras; incertitude K = 1,5 m/s²)
- Mesuré selon 2000/14/CE (EN/ISO 3744) le niveau de la puissance sonore garanti LWA est inférieur à 91 dB(A) (procédures d'évaluation de la conformité conformément à l'annexe VI)
 - Organisme notifié : KEMA, Arnhem, NL
 - Numéro d'identification de l'organisme notifié : 0344
- Le niveau de vibrations émises a été mesuré conformément à l'essai normalisé de la norme EN 60335; il peut être utilisé pour comparer plusieurs outils et pour réaliser une évaluation préliminaire de l'exposition aux vibrations lors de l'utilisation de l'outil pour les applications mentionnées
 - l'utilisation de l'outil dans d'autres applications, ou avec des accessoires différents ou mal entretenus, peut considérablement **augmenter** le niveau d'exposition
 - la mise hors tension de l'outil et sa non-utilisation pendant qu'il est allumé peuvent considérablement **réduire** le niveau d'exposition
- ! **protégez-vous contre les effets des vibrations par un entretien correct de l'outil et de ses accessoires, en gardant vos mains chaudes et en structurant vos schémas de travail**

D

Elektrische Unkrautbürste 0700

EINLEITUNG

- Dieses Werkzeug dient dazu, Unkraut von Terrassen und zwischen Gartenfliesen und Steinen zu entfernen
- Dieses Werkzeug eignet sich nicht für den professionellen Einsatz
- Sicherstellen, dass die Packung alle in der Zeichnung  abgebildeten Teile enthält
- Wenn Teile fehlen oder beschädigt sind, wenden Sie sich an Ihren Händler
- **Bitte diese Bedienungsanleitung sorgfältig durchlesen und aufbewahren **
- **Achten Sie besonders auf die Sicherheits- und Warnhinweise; ihre Nichtbeachtung kann schwere Verletzungen nach sich ziehen **

TECHNISCHE DATEN

WERKZEUGKOMponenten

- A Schneidschutz
- B Rad
- C Spindelarretierungsknopf
- D Spannzangenmutter
- E Schlüssel
- F Bürste
- G Bürstenpositionsanzeige
- H Verriegelungshülse
- J Teleskopstange

- K** Handgriff
- L** Kabelhalter
- M** Auslöseschalter
- N** Lüftungsschlitze
- P** Aufbewahrungsschiene (**Schrauben nicht im Lieferumfang**)

SICHERHEIT

WICHTIGE SICHERHEITSANWEISUNGEN FÜR ELEKTRISCHE UNKRAUTBÜRSTEN

ALLGEMEINES

- Machen Sie sich mit den Bedienelementen und der richtigen Verwendung vertraut
- Der Benutzer ist für entstehende Unfälle mit Dritten oder auftretende Gefahren für deren Eigentum verantwortlich
- Das Werkzeug nur bei Umgebungstemperaturen zwischen 0 °C und 40 °C benutzen
- Niemals Schneidelemente aus Metall an das Werkzeug anbauen
- Mit dem Werkzeug kein nasses Unkraut entfernen

SICHERHEIT VON PERSONEN

- Dieses Werkzeug ist nicht dafür bestimmt durch Personen (einschließlich Kinder) mit eingeschränkten physischen, sensorischen oder geistigen Fähigkeiten, oder mangelnder Erfahrung und Wissen, benutzt zu werden; es sei denn, sie werden durch eine für ihre Sicherheit zuständige Person beaufsichtigt oder erhalten von ihr Anweisungen, wie das Werkzeug zu benutzen ist
- Stellen Sie sicher, dass Kinder nicht mit dem Werkzeug spielen
- Niemals Kinder oder Personen, die nicht mit der Bedienung/Bedienungsanleitung vertraut sind, das Werkzeug verwenden lassen
- Bei der Benutzung des Werkzeugs stets eine Schutzbrille, lange Hosen und feste Schuhe tragen
- Das Werkzeug nie mit beschädigtem oder ohne Schneidschutz benutzen
- Das Werkzeug nie in unmittelbarer Nähe von Personen (insbesondere von Kindern) und Tieren benutzen, ggf. das Werkzeug ausschalten
- Das Werkzeug nie bei Müdigkeit, Krankheit oder unter Einfluss von Alkohol, Medikamenten oder Drogen benutzen

ELEKTRISCHE SICHERHEIT

- Stets nachprüfen, daß die Netzspannung mit der auf dem Typenschild des Werkzeuges angegebenen Spannung übereinstimmt (mit 230V oder 240V beschriftete Werkzeuge können auch an 220V betrieben werden)
- Das Kabel regelmäßig kontrollieren und ein beschädigtes Kabel von einem anerkannten Elektrofachmann ersetzen lassen
- Das Verlängerungskabel regelmäßig inspizieren und bei Beschädigung austauschen (**unzulängliche Kabel können gefährlich sein**)
- Nur ein Verlängerungskabel benutzen, das für die Anwendung im Freien vorgesehen und mit wasserfesten Steckern und Kupplungen versehen ist
- Bei Benutzung von Verlängerungskabeln ist darauf zu achten, daß das Kabel vollständig abgerollt ist und eine Kapazität von 16 A hat

- Bei der Verwendung des Werkzeugs in feuchten Umgebungen einen Fehlerstrom- (FI) Schutzschalter mit einem Auslösestrom von max. 30 mA verwenden
- Nicht auf das (Verlängerungs-) Kabel treten, darüber fahren, es knicken oder daran ziehen
- Das (Verlängerungs-) Kabel vor Hitze, Öl und scharfen Kanten schützen
- Das (Verlängerungs-)Kabel von der Bürste fernhalten
- Werkzeug immer ausschalten und Stecker aus der Netzsteckdose ziehen, wenn das Netz- oder Verlängerungskabel durchtrennt oder beschädigt wird oder sich verfangen hat (**das Kabel nicht anfassen, bevor der Stecker gezogen wurde**)

BÜRSTEN

- SKIL kann nur dann die einwandfreie Funktion des Werkzeuges zusichern, wenn Original-Zubehör verwendet wird
- Montieren Sie nur Bürsten, deren Höchstdrehzahl ("RPM") die am Werkzeug angegebene Höchstdrehzahl übersteigt
- Nur Bürsten mit einem maximalen Durchmesser von 100 mm verwenden
- Keine abgenutzten Bürsten verwenden
- Rostflecken oder andere Anzeichen für chemische oder mechanische Veränderungen des Materials, an dem die Bürsten befestigt sind, können verfrüht dazu führen, dass die Bürsten nicht mehr funktionstüchtig sind
- Lagern Sie die Bürsten an einem geeigneten Ort so, dass sie vor folgenden Einflüssen geschützt sind:
 - hohe Luftfeuchtigkeit, Wärme, Wasser oder andere Flüssigkeiten, die den Bürsten schaden könnten
 - Säuren oder Säuredämpfe, die der Bürste schaden könnten
 - niedrige Umgebungstemperaturen, die Kondensation an der Bürste verursachen, wenn sie in einem Bereich mit höheren Umgebungstemperaturen gelagert wird
 - Verformung beliebiger Bereiche der Bürste

VOR DER ANWENDUNG

- Das Werkzeug nur bei ausreichendem Tageslicht oder mit entsprechender künstlicher Beleuchtung verwenden
- Die Funktionsfähigkeit des Werkzeugs vor jeder Benutzung und nach einem Stoß prüfen und es bei einem Defekt sofort von einer qualifizierten Person reparieren lassen; das Werkzeug niemals selbst öffnen
- Entfernen Sie Einstellschlüssel, bevor Sie das Werkzeug einschalten (**ein Schlüssel, der sich in einem drehenden Werkzeuteil befindet, kann zu Verletzungen führen**)
- Vor der Verwendung des Werkzeugs den Schnittbereich sorgfältig inspizieren und alle Fremdkörper entfernen, um die sich die Fäden beim Trimmen des Rasens schlingen könnten (z. B. Steine und lose Holzstücke)

WÄHREND DER ANWENDUNG

- Das Werkzeug nur vertikal benutzen, so dass die Bürste auf den Boden zeigt (**das Werkzeug nie in einer anderen Position einschalten**)
- Das Werkzeug nur im Gehen verwenden (niemals rennen)
- Straßen oder Kieswege nicht mit laufendem Werkzeug überqueren
- Lassen Sie sich nicht ablenken und konzentrieren Sie sich stets auf das, was Sie tun
- Immer darauf achten, dass die Lüftungsschlitze frei von Schmutz sind

NACH DER ANWENDUNG

- Nach dem Ausschalten des Werkzeugs dreht sich die Bürste noch einige Sekunden weiter (**drehende Bürste nicht berühren**)
- Stets den Stecker aus der Netzsteckdose ziehen
 - wenn das Werkzeug unbeaufsichtigt ist
 - vor dem Entfernen von feststehendem Material
 - vor dem Inspizieren und Reinigen des Werkzeugs oder vor Arbeiten an dem Werkzeug
 - nach dem Anschlagen an einen Gegenstand
 - wenn das Werkzeug beginnt ungewöhnlich zu vibrieren
- Sobald Sie sich von Ihrem Werkzeug entfernen, sollte dieses ausgeschaltet werden und sollten die sich bewegenden Teile vollkommen zum Stillstand gekommen sein
- Das Werkzeug **drinnen** an trockener und abgesperrter Stelle, für Kinder unzugänglich, lagern

ERKLÄRUNG DER SYMBOLE AUF DEM WERKZEUG

- ③ **Warnung!** Lesen Sie die Bedienungsanleitung
- ④ Das Werkzeug niemals dem Regen aussetzen
- ⑤ Schutzbrille und Gehörschutz tragen
- ⑥ **Auf das Risiko von Verletzungen durch fliegende Schmutzpartikeln achten** (Sicherheitsabstand zu Umstehenden halten)
- ⑦ Hände und Füße immer von den sich drehenden Teilen fernhalten
- ⑧ Werkzeug abschalten und Stecker ziehen vor dem Reinigen/der Wartung oder wenn das (Verlängerungs-)Kabel beschädigt oder verheddert ist
- ⑨ Doppelte Isolierung (kein Erdleiter erforderlich)
- ⑩ Das Werkzeug nicht in den Hausmüll werfen

BEDIENUNG

- Montageanleitung
 - ! **vor dem Anbringen/Abnehmen der Bürste stets den Stecker des Werkzeugs herausziehen**
 - die Schutzabdeckung A wie abgebildet über das Motorgehäuse schieben, bis sie mit einem Klick einrastet ⑪
 - das Rad B wie abgebildet an das Motorgehäuse montieren, bis es mit einem Klick einrastet ⑫
 - den Spindelarretierungsknopf C gedrückt halten und gleichzeitig mit dem Schlüssel E ⑬ die Spannzangenmutter D lösen
 - die Bürste F am Bürstenpositionsanzeiger G ausgerichtet montieren
 - die Spannzangenmutter D mit dem Schlüssel E anziehen, während der Spindelarretierungsknopf C gedrückt gehalten wird
 - ! **die Bürste austauschen, wenn sie abgenutzt ist (SKIL-Zubehörnummer 2610Z02973)**
- Höheneinstellung ⑭
 - die Verriegelungshülse H durch Drehen im Uhrzeigersinn lösen
 - ! **bei erstmaliger Benutzung des Werkzeugs den Griff K nach dem Lösen der Verriegelungshülse H um 90° drehen**
 - das Rohr J bis zur gewünschten Höhe ausziehen
 - die Verriegelungshülse H durch Drehen gegen den Uhrzeigersinn festziehen
 - ! **beim Ausziehen/Einschieben der Stange zur Einstellung der gewünschten Höhe keinen Druck auf das Werkzeug ausüben**


- Kabelhalter ⑮
 - Schlaufe des Verlängerungskabels gemäß Abbildung in den Kabelhalter L haken
 - festziehen, um das Verlängerungskabel sicher zu befestigen
- Ein-/Aus-Schalten ⑯
 - das Werkzeug durch Drücken von Auslöseschalter M einschalten
 - das Werkzeug durch Lösen von Auslöseschalter M abschalten
 - ! **nach dem Ausschalten bewegt sich die Bürste noch einige Sekunden**
 - vor der Wiedereinschaltung des Werkzeugs warten, bis sich die Bürste nicht mehr dreht
 - ! **das Werkzeug nicht schnell hintereinander ein- und ausschalten**
- Vor dem Gebrauch Ihres Werkzeuges
 - sicherstellen, daß die Bürste F ⑬ richtig montiert und die Spannzangenmutter D ⑬ fest angezogen ist
 - einen Probelauf vornehmen, bei dem Sie das Werkzeug in einer sicheren Position mindestens 30 Sekunden mit höchster Geschwindigkeit unbelastet laufen lassen
 - bei beträchtlichen Vibrationen oder anderen Defekten das Werkzeug sofort ausschalten und die mögliche Ursache herausfinden
- Unkraut entfernen
 - ! **sicherstellen, dass der Schnittbereich frei von Steinen, Abfällen und anderen störenden Gegenständen ist**
 - sicherstellen, dass die Unterseite des Werkzeugs gerade am Boden ausgerichtet ist
 - nur mit der Arbeit beginnen, wenn der Motor läuft
 - die Arbeit in der Nähe der Netzsteckdose beginnen und sich dann bei der Arbeit davon weg bewegen
 - das Werkzeug von harten Gegenständen und Pflanzen fernhalten
 - das Werkzeug nicht zu lange an einer Stelle benutzen
 - das Werkzeug nicht überlasten
- Halten und Führen des Werkzeuges ⑰
 - das Werkzeug fest mit einer Hand halten
 - das Werkzeug mit gleichmäßiger Geschwindigkeit über die zu bearbeitende Fläche führen
 - auf eine sichere Arbeitsposition achten
 - das Werkzeug immer von Ihrem Körper entfernt halten

ANWENDUNGSHINWEISE

- Das Werkzeug zur Erzielung optimaler Ergebnisse an einer kleinen Stelle testen, um sicherzustellen, dass die Gartenfliesen nicht beschädigt werden
- Regelmäßiges Entfernen des Unkrauts hilft, hartnäckiges Unkraut zu vermeiden
- Für mehr Tips siehe www.skil.com

WARTUNG / SERVICE


- Dieses Werkzeug eignet sich nicht für den professionellen Einsatz
- Halten Sie Werkzeug und Kabel immer sauber
 - ! **Netzstecker vor dem Säubern ziehen**
 - regelmäßig die Belüftungsschlitze N ② mit einem weichen Tuch reinigen
 - regelmäßig mit einer weichen Bürste den Schmutz aus dem Schneidschutz A ② entfernen

- Aufbewahrung 
 - das Werkzeug **drinnen** an trockener und abgesperrter Stelle, für Kinder unzugänglich, lagern
 - Aufbewahrungsschiene P sicher mit 4 Schrauben (**nicht mitgeliefert**) horizontal an der Wand befestigen
- Sollte das Elektrowerkzeug trotz sorgfältiger Herstellungs- und Prüfverfahren einmal ausfallen, ist die Reparatur von einer autorisierten Kundendienststelle für SKIL-Elektrowerkzeuge ausführen zu lassen
 - das Werkzeug **unzerlegt**, zusammen mit dem Kaufbeleg, an den Lieferer oder die nächste SKIL-Vertragswerkstätte senden (die Anschriften so wie die Ersatzteilzeichnung des Werkzeuges finden Sie unter www.skil.com)

STÖRUNGSBESEITIGUNG

- Die folgende Liste enthält Symptome für Probleme, mögliche Ursachen und Lösungsmaßnahmen (wenn das Problem darin nicht beschrieben wird oder so nicht behoben werden kann, wenden Sie sich bitte an Ihren Händler oder Ihren Kundendienst)
 - ! **vor der Untersuchung des Problems das Werkzeug ausschalten und den Stecker aus der Steckdose ziehen**
- ★ Werkzeug funktioniert nicht
 - Netzsteckdose defekt -> andere Steckdose verwenden
 - Verlängerungskabel beschädigt -> Verlängerungskabel austauschen
 - Bürste falsch montiert -> Bürste neu montieren
- ★ Werkzeug hat Aussetzer
 - Innenverdrahtung defekt -> Händler/Kundendienst kontaktieren
 - Ein-/Aus-Schalter defekt -> Händler/Kundendienst kontaktieren
- ★ Unkraut wird nicht vollständig entfernt
 - Bürste beschädigt/abgenutzt -> Bürste ersetzen

UMWELT

- **Elektrowerkzeuge, Zubehör und Verpackungen nicht in den Hausmüll werfen** (nur für EU-Länder)
 - gemäss Europäischer Richtlinie 2012/19/EG über Elektro- und Elektronik- Altgeräte und Umsetzung in nationales Recht müssen nicht mehr gebrauchsfähige Elektrowerkzeuge getrennt gesammelt und einer umweltgerechten Wiederverwertung zugeführt werden
 - hieran soll Sie Symbol  erinnern

KONFORMITÄTSERKLÄRUNG

- Wir erklären in alleiniger Verantwortung, daß das unter "Technische Daten" beschriebene Produkt mit den folgenden Normen oder normativen Dokumenten übereinstimmt: EN 60335, EN 61000, EN 55014 gemäß den Bestimmungen der Richtlinien 2006/95/EG, 2004/108/EG, 2006/42/EG, 2000/14/EG, 2011/65/EU

- **Technische Unterlagen bei:** SKIL Europe BV (PT-SEU/ENG1), 4825 BD Breda, NL

Marijn van der Hoofden Olaf Dijkgraaf
Operations & Engineering Approval Manager




SKIL Europe BV, 4825 BD Breda, NL

19.12.2013



GERÄUSCH/VIBRATION



- Gemessen gemäß EN 60335 beträgt der Schalldruckpegel dieses Gerätes 68 dB(A) und der Schalleistungspegel 88 dB(A) (Standardabweichung: 3 dB), und die Vibration 3,2 m/s² (Hand-Arm Methode; Unsicherheit K = 1,5 m/s²)
- Gemessen gemäß 2000/14/EG (EN/ISO 3744) liegt der garantierte Schalleistungspegel LwA unter 91 dB(A) (Bewertungsverfahren der Konformität gemäß Anhang VI)
 - Benannte Stelle: KEMA, Arnhem, NL
 - Kennnummer der benannten Stelle: 0344
- Die Vibrationsemissionsstufe wurde mit einem standardisierten Test gemäß EN 60335 gemessen; Sie kann verwendet werden, um ein Werkzeug mit einem anderen zu vergleichen und als vorläufige Beurteilung der Vibrationsexposition bei Verwendung des Werkzeugs für die angegebenen Anwendungszwecke
 - die Verwendung des Werkzeugs für andere Anwendungen oder mit anderem oder schlecht gewartetem Zubehör kann die Expositionsstufe erheblich **erhöhen**
 - Zeiten, zu denen das Werkzeug ausgeschaltet ist, oder wenn es läuft aber eigentlich nicht eingesetzt wird, können die Expositionsstufe erheblich **verringern**
- ! **schützen Sie sich vor den Auswirkungen der Vibration durch Wartung des Werkzeugs und des Zubehörs, halten Sie Ihre Hände warm und organisieren Sie Ihren Arbeitsablauf**



Onkruidborstel

0700

INTRODUCTIE

- Deze machine is ontworpen voor het verwijderen van onkruid van terrassen en tussen tegels
- Deze machine is niet bedoeld voor professioneel gebruik
- Controleer of de verpakking alle onderdelen bevat die worden getoond in afbeelding 
- Als onderdelen ontbreken of beschadigd zijn, neemt u contact op met de dealer
- **Lees deze handleiding aandachtig en bewaar hem zodat u hem in de toekomst kunt raadplegen** 
- **Let met name op de veiligheidsinstructies en de waarschuwingen; het niet in acht nemen hiervan kan ernstige verwondingen tot gevolg hebben**

TECHNISCHE GEGEVENS ①

MACHINE-ELEMENTEN ②

- A Beschermkap
- B Wielte
- C Asvergrendelknop
- D Spanmoer
- E Sleutel
- F Borstel
- G Borstelindicator
- H Vergrendelingshuls
- J Telescoopbuis
- K Handgreep
- L Snoerhouder
- M Trekkerschakelaar
- N Ventilatie-openingen
- P Opslagrail (**schroeven niet meegeleverd**)

VEILIGHEID

VEILIGHEIDSinSTRUCTIES SPECIFIEK VOOR ONKRUIDBORSTELS

ALGEMEEN

- Wees op de hoogte van de knoppen en het juiste gebruik van de machine
- De gebruiker is verantwoordelijk voor ongelukken of gevaar voor andere personen of hun eigendom
- Gebruik de machine uitsluitend bij omgevingstemperaturen tussen 0 °C en 40 °C
- Monteer nooit metalen snijelementen op deze machine
- Gebruik de machine niet voor het verwijderen van nat onkruid

PERSOONLIJKE VEILIGHEID

- Deze machine is niet bedoeld voor gebruik door personen (waaronder begrepen kinderen) met fysieke, zintuiglijke of mentale beperkingen, of een gebrek aan ervaring en kennis, tenzij zij onder toezicht staan of instructies hebben ontvangen ten aanzien van het gebruik van deze machine door een persoon, die verantwoordelijk is voor hun veiligheid
- Zorg ervoor dat kinderen de machine niet als speelgoed gebruiken
- Laat nooit kinderen of personen, die niet bekend zijn met de gebruiksinstructies, de machine gebruiken
- Draag tijdens het gebruik altijd oogbescherming, een broek met lange pijpen en stevige schoenen
- Gebruik de machine nooit zonder beschermkap of wanneer de beschermkap is beschadigd
- Gebruik de machine nooit in de directe nabijheid van personen; stop het gebruik van de machine wanneer personen (met name kinderen) en dieren in de buurt zijn
- Gebruik de machine nooit wanneer u moe of ziek bent, of alcohol, drugs of medicatie hebt gebruikt

ELEKTRISCHE VEILIGHEID

- Controleer altijd of het voltage, dat vermeld staat op het typeplaatje van de machine, overeenkomt met de netspanning (met 230V of 240V aangeduide machines kunnen ook op 220V aangesloten worden)
- Controleer regelmatig het snoer en laat het door een erkende vakman vervangen, indien beschadigd

- Controleer het verlengsnoer regelmatig en vervang dit als het beschadigd is (**het gebruik van ondeugdelijke verlengsnoeren kan gevaarlijk zijn**)
- Gebruik alleen een voor gebruik buitenshuis goedgekeurd verlengsnoer met een waterdichte stekker en contactstop
- Gebruik volledig uitgerolde en veilige verlengsnoeren met een capaciteit van 16 Ampère
- Wanneer de machine in een vochtige omgeving wordt gebruikt, een lekstroombeveiliging gebruiken met een uitschakelstroom van maximaal 30 mA
- Trek niet aan het (verleng)snoer, rijd er niet overheen en plet het snoer niet
- Bescherm het (verleng)snoer tegen hitte, olie en scherpe randen
- Houd het (verleng)snoer uit de buurt van de draaiende borstel
- Schakel de machine altijd uit en haal de stekker uit het stopcontact wanneer het (verleng)snoer versleten, beschadigd of verward is (**raak het snoer pas aan nadat u de stekker uit het stopcontact hebt gehaald**)

BORSTELS

- SKIL kan alleen een correcte werking van de machine garanderen, indien originele accessoires worden gebruikt
- Gebruik uitsluitend borstels waarvan de maximale snelheid ("RPM") hoger is dan de rotaties per minuut die op de machine zijn aangegeven
- Gebruik uitsluitend borstels met een maximum diameter van 100 mm
- Gebruik geen versleten borstels
- Roestvlekken of andere tekenen van chemische of mechanische veranderingen van het materiaal waarmee de borstelharen bijeen worden gehouden, kunnen voortijdige borstelproblemen veroorzaken
- Bewaar borstels op een geschikte plek en op een dusdanige manier dat ze beschermd zijn tegen de volgende invloeden:
 - hoge luchtvochtigheid, hitte, water of andere vloeistoffen die de borstel kunnen beschadigen
 - zuren of zure dampen die de borstel kunnen beschadigen
 - lage omgevingstemperaturen die condensatie op de borstel veroorzaken wanneer deze wordt opgeslagen op een plek met hogere omgevingstemperaturen
 - vervorming van enig onderdeel van de borstel

VOÓR GEBRUIK

- Gebruik de machine uitsluitend bij daglicht of geschikt kunstlicht
- Controleer vóór elk gebruik, en nadat u iets hebt geraakt, de werking van de machine; laat deze in geval van een defect onmiddellijk repareren door een erkende vakman (open nooit zelf de machine)
- Verwijder instelsleutels voordat u de machine inschakelt (**een sleutel, die aan een draaiend deel van de machine vastzit, kan tot verwondingen leiden**)
- Inspecteer vóór gebruik het gebied, waar u de machine wilt gebruiken, en verwijder alle objecten, die de machine tijdens gebruik zou kunnen wegslingeren (zoals stenen, stukken hout, enz.)

TIJDENS GEBRUIK

- Gebruik de machine uitsluitend in verticale stand, met de borstel in de richting van de grond (**schakel de machine nooit in een andere stand in**)

- Gebruik de machine uitsluitend op loopsnelheid (niet rennend)
- Steek geen weg of gravelpad over terwijl de machine nog is ingeschakeld
- Laat u niet afleiden en concentreer u altijd op wat u doet
- Zorg altijd dat de ventilatieopeningen vrij zijn

NA GEBRUIK

- De borstel blijft nog korte tijd draaien nadat de machine is uitgeschakeld (**raak de draaiende borstel niet aan**)
- Haal de stekker altijd uit het stopcontact
 - wanneer u de machine onbeheerd laat
 - voordat u vastgelopen materiaal verwijderd
 - voordat u de machine controleert, reinigt of ermee gaat werken
 - nadat een vreemd object is geraakt
 - wanneer de machine abnormaal begint te trillen
- Voordat u de machine wegzet, moet de motor uitgeschakeld zijn en alle bewegende delen tot stilstand zijn gekomen
- Berg de machine **binnenshuis** op in droge, afgesloten ruimten, buiten het bereik van kinderen

UITLEG VAN SYMBOLEN OP MACHINE

- ③ **Waarschuwing!** Lees de gebruiksaanwijzing
- ④ Stel machine niet bloot aan regen
- ⑤ Draag een veiligheidsbril en gehoorbescherming
- ⑥ **Houd rekening met het risico van letsel als gevolg van opvliegend afval** (houd omstanders op veilige afstand van het werkgebied)
- ⑦ Houd handen en voeten altijd uit de buurt van draaiende onderdelen
- ⑧ Schakel de machine uit en haal de stekker uit het stopcontact voorafgaand aan reiniging/onderhoud of als het (verleng)snoer beschadigd of verward is
- ⑨ Dubbele isolatie (geen aarddraad nodig)
- ⑩ Geef de machine niet met het huisvuil mee

GEBRUIK

- Montage-instructies
 - ! **haal altijd de stekker uit het stopcontact voordat u de borstel bevestigt/verwijdert**
 - schuif beschermkap A over de motorbehuizing (zie afbeelding) totdat deze op zijn plaats klikt ⑪
 - bevestig wiel B aan de motorbehuizing (zie afbeelding) totdat dit op zijn plaats klikt ⑫
 - druk op asvergrendelingsknop C en houd deze ingedrukt terwijl u spanmoer D losdraait met sleutel E ⑬
 - bevestig borstel F met het midden ervan uitgelijnd met borstelindicator G
 - draai spanmoer D vast met sleutel E terwijl u asvergrendelingsknop C indrukt
 - ! **vervang de borstel wanneer deze versleten is (SKIL-accessoirenummer 2610Z02973)**
- Hoogteafstelling ⑭
 - draai vergrendelingshuls H los door deze rechtsom te draaien
 - ! **wanneer de machine voor het eerst gebruikt wordt, greep K 90° draaien na het losdraaien van vergrendelingshuls H**
 - schuif buis J uit tot de gewenste lengte
 - draai vergrendelingshuls H vast door deze linksom te draaien
 - ! **forceer de machine niet bij het uitschuiven/inschuiven van de buis tot de gewenste lengte**

- Snoerhouder ⑮
 - haak de lus van het verlengsnoer door de houder L zoals afgebeeld
 - trek stevig aan het verlengsnoer om het vast te zetten
- Aan/uit ⑯
 - zet de machine aan door trekker-schakelaar M in te drukken
 - zet de machine uit door trekker-schakelaar M los te laten
 - ! **nadat de machine is uitgeschakeld, blijft de borstel nog enkele seconden draaien**
 - wacht totdat de borstel stil staat voordat u de machine weer aanzet
 - ! **schakel de machine niet snel achter elkaar in en uit**
- Vóór gebruik van de machine
 - zorg dat borstel F ⑬ correct is bevestigd en dat spanmoer D ⑮ stevig is vastgedraaid
 - proefdraai de machine onbelast gedurende minstens 30 seconden op de hoogste snelheid in een veilige positie
 - stop onmiddellijk indien de machine hevig trilt, of bij andere defecten, en controleer de machine teneinde de oorzaak te vinden
- Onkruid verwijderen
 - ! **zorg dat het te maaien gebied vrij is van stenen, afval en andere vreemde objecten**
 - zorg dat de onderzijde van de machine in horizontale stand staat
 - begin uitsluitend met onkruid verwijderen wanneer de motor draait
 - begin met het verwijderen van onkruid in de buurt van het stopcontact en vervolgens daarvandaan
 - houd de machine uit de buurt van harde voorwerpen en planten
 - gebruik de machine niet te lang op één plek
 - overbelast de machine niet
- Vasthouden en leiden van de machine ⑰
 - houd de machine stevig vast met één hand
 - geleid de machine op constante snelheid over het oppervlak waar onkruid moet worden verwijderd
 - houd een stabiele werkpositie aan
 - houd de machine altijd op afstand van uw lichaam

TOEPASSINGSADVIES

- Voor het beste resultaat is het raadzaam de machine te testen op een klein stukje van het oppervlak en te controleren of de tegels niet beschadigen
- Regelmatig wieden voorkomt hardnekkig onkruid
- Voor meer tips zie www.skil.com

ONDERHOUD / SERVICE

- Deze machine is niet bedoeld voor professioneel gebruik
- Houd machine en snoer altijd schoon
 - ! **trek de stekker uit het stopcontact vóór het reinigen**
 - reinig ventilatiesleuven N ② regelmatig met een zachte doek
 - verwijder vuil regelmatig uit beschermkap A ② met een zachte borstel
- Opslag ⑱
 - berg de machine **binnenshuis** op in droge, afgesloten ruimten, buiten het bereik van kinderen
 - bevestig de opslagraail P stevig aan de muur met vier schroeven (**niet meegeleverd**) en zorg dat deze waterpas hangt

- Mocht het elektrische gereedschap ondanks zorgvuldige fabricage- en testmethoden toch defect raken, dient de reparatie te worden uitgevoerd door een erkende klantenservice voor SKIL elektrische gereedschappen
 - stuur de machine **ongedemonteerd**, samen met het aankoopbewijs, naar het verkoopadres of het dichtstbijzijnde SKIL service-station (de adressen evenals de onderdeeltekening van de machine vindt u op www.skil.com)

PROBLEMEN OPLOSSEN

- Hierna volgt een lijst van problemen, mogelijke oorzaken en corrigerende handelingen (neem contact op met de dealer of het servicestation, als u het probleem niet kunt vaststellen en oplossen)
 - ! **schakel het apparaat uit en haal de stekker uit het stopcontact voordat u het probleem gaat onderzoeken**
- ★ De machine werkt niet
 - stopcontact defect -> gebruik ander stopcontact
 - verlengsnoer beschadigd -> vervang verlengsnoer
 - borstel onjuist bevestigd -> bevestig borstel opnieuw
- ★ De machine werkt soms wel/soms niet
 - interne bedrading defect -> neem contact op met dealer/servicestation
 - aan/uit-schakelaar defect -> neem contact op met dealer/servicestation
- ★ Onkruid is niet volledig verwijderd
 - borstel beschadigd/versleten -> vervang borstel

MILIEU

- **Geef electrisch gereedschap, accessoires en verpakkingen niet met het huisvuil mee** (alleen voor EU-landen)
 - volgens de Europese richtlijn 2012/19/EG inzake oude elektrische en elektronische apparaten en de toepassing daarvan binnen de nationale wetgeving, dient afgedankt electrisch gereedschap gescheiden te worden ingezameld en te worden afgevoerd naar een recycle-bedrijf, dat voldoet aan de geldende milieu-eisen
 - symbool  zal u in het afdankstadium hieraan herinneren

CONFORMITEITSVERKLARING CE

- Wij verklaren als alleen verantwoordelijke, dat het onder "Technische gegevens" beschreven product voldoet aan de volgende normen of normatieve documenten: EN 60335, EN 61000, EN 55014 overeenkomstig de bepalingen van de richtlijnen 2006/95/EG, 2004/108/EG, 2006/42/EG, 2000/14/EG, 2011/65/EU
- **Technisch dossier bij:** SKIL Europe BV (PT-SEU/ENG1), 4825 BD Breda, NL

Marijn van der Hoofden
Operations & Engineering

Olaf Dijkgraaf
Approval Manager




SKIL Europe BV, 4825 BD Breda, NL

19.12.2013

CE11

GELUID/VIBRATIE

- Gemeten volgens EN 60335 bedraagt het geluidsrukniveau van deze machine 68 dB(A) en het geluidsvermogen-niveau 88 dB(A) (standaard deviatie: 3 dB), en de vibratie $3,2 \text{ m/s}^2$ (hand-arm methode; onzekerheid $K = 1,5 \text{ m/s}^2$)
- Gemeten volgens 2000/14/EG (EN/ISO 3744) is het gearandeerde geluidsvermogen-niveau lager dan 91 dB(A) (wegingsmethode van de conformiteit volgens aanhangsel VI)
 - Aangemelde instantie: KEMA, Arnhem, NL
 - ID aangemelde instantie: 0344
- Het trillingsemissieniveau is gemeten in overeenstemming met een gestandaardiseerde test volgens EN 60335; deze mag worden gebruikt om twee machines met elkaar te vergelijken en als voorlopige beoordeling van de blootstelling aan trilling bij gebruik van de machine voor de vermelde toepassingen
 - gebruik van de machine voor andere toepassingen, of met andere of slecht onderhouden accessoires, kan het blootstellingsniveau aanzienlijk **verhogen**
 - wanneer de machine is uitgeschakeld of wanneer deze loopt maar geen werk verricht, kan dit het blootstellingsniveau aanzienlijk **reduceren**
- ! **bescherm uzelf tegen de gevolgen van trilling door de machine en de accessoires te onderhouden, uw handen warm te houden en uw werkwijze te organiseren**

S

Ogräsborste

0700

INTRODUKTION

- Det här verktyget har konstruerats för att avlägsna ogräs från terrasser och mellan plattor
- Det här verktyget är inte avsedd för yrkesmässig användning
- Kontrollera om förpackningen innehåller alla delar som finns på bilden ②
- Om delar saknas eller är skadade kontakta du återförsäljaren
- **Läs dessa instruktioner noggrant för användning och bevara dem för framtida bruk** ③
- **Var särskilt uppmärksam på säkerhetsinstruktionerna och varningarna; om de inte följs kan det ge allvariga skador**

TEKNISKA DATA ①

VERKTYGSELEMENT ②

- A Klippskydd
- B Hjul
- C Spindellåsknapp
- D Chuckmutter
- E Nyckel
- F Borste
- G Borstindikator
- H Låshylsa
- J Teleskoprör

- K Handtag
- L Sladdhållare
- M Strömbrytare
- N Ventilationsöppningar
- P Upphängningsskena (**skruvar medföljer inte**)

SÄKERHET

SÄRSKILDA SÄKERHETSANVISNINGAR FÖR OGRÄSBORSTAR

ALLMÄNT

- Bekanta dig med kontrollerna och rätt användning av verktyget
- Användaren ansvarar för olyckor eller faror som andra personer utsätts för inom hans/hennes fastighet
- Använd bara verktyget om omgivningstemperaturen är mellan 0 °C och 40 °C
- Montera aldrig klippelement av metall på det här verktyget
- Använd inte verktyget för att avlägsna vått ogräs

PERSONSÄKERHET

- Denna maskin får inte användas av barn eller personer med ett förståndshandikapp eller på annat sätt medsatt förmåga, såvida denna inte sker med överinseende av en vuxen person som ansvarar för personsäkerheten
- Barn får inte använda maskinen som leksak
- Låt aldrig barn eller personer som inte känner till driftsanvisningarna använda verktyget
- Använd alltid ögonskydd, långbyxor och rejäla skor vid användning av verktyget
- Använd aldrig verktyget med skadat klippskydd eller utan monterat klippskydd
- Använd aldrig verktyget i närheten av personer, sluta använda verktyget när personer (i synnerhet barn) eller husdjur finns i närheten
- Använd aldrig verktyget om du är trött, sjuk, om du har använt droger, druckit alkohol eller tagit mediciner

ELEKTRISK SÄKERHET

- Kontrollera alltid att den tillförda strömtypen stämmer med spänningen som anges på maskinens märkplåt (maskiner med beteckningen 230V eller 240V kan även anslutas till 220V)
- Inspektera sladden med jämna mellanrum och låt den byta ut av en kvalificerad person den är skadad
- Kontrollera förlängningssladden regelbundet och byt den om den är skadad (**bristfälliga förlängningssladdar kan vara farliga**)
- Använd bara en förlängningssladd som är avsedd för användning utomhus och som är försedd med en vattentät kontakt
- Använd helt utrullade och säkra förlängningssladdar med kapacitet på 16 A
- Om verktyget används i fuktiga miljöer ska en jordfelsbrytare användas med en brytström på högst 30 mA
- Kör inte över, kläm inte och dra inte i (förlängnings)sladden
- Skydda (förlängnings)sladden mot värme, olja och vassa kanter
- Håll (förlängnings)sladden borta från den roterande borsten
- Stäng alltid av verktyget och koppla bort kontakten från strömkällan om nätssladden eller förlängningssladden har skador, skador eller har traslat sig (**vidrör inte sladden innan kontakten har kopplats bort**)

BORSTAR

- SKIL kan endast garantera att maskinen fungerar felfritt om originaltillbehör används
- Montera bara borstar vars högsta varvtal ("RPM") är högre än antalet varv per minut som anges på verktyget
- Använd bara borstar med en maximal diameter på 100 mm
- Använd inte slitna borstar
- Rostfläckar eller andra tecken på kemiska eller mekaniska förändringar av materialet som håller borstrådarna kan orsaka alltför tidiga funktionsstörningar hos borsten
- Förvara borstar på en lämplig plats på ett sådant sätt att de skyddas mot följande:
 - hög luftfuktighet, värme, vatten eller andra vätskor som kan skada borsten
 - syror eller syraångor som kan skada borsten
 - låga omgivningstemperaturer som orsakar kondensbildning på borsten vid förvaring i ett område med högre omgivningstemperaturer
 - deformation av någon del av borsten

FÖRE ANVÄNDNINGEN

- Använd bara verktyget i dagsljus eller med tillräcklig konstbelysning
- Kontrollera före användning samt efter slag och stötar att maskinen fungerar ordentligt; eventuella skador måste repareras av en kvalificerad person (öppna aldrig verktyget själv)
- Ta bort alla inställningsnycklar innan du kopplar på elverktyget (**en nyckel i en roterande komponent av verktyget kan medföra kroppsskada**)
- Före användning kontrollerar du klippområdet noggrant och tar bort alla föremål som verktyget kan slunga iväg vid trimning (t.ex. stenar, träbiter, osv.)

UNDER ANVÄNDNINGEN

- Använd bara verktyget i vertikalt läge med borsten vänd mot marken (**starta aldrig verktyget i något annat läge**)
- Gå när du använder verktyget (spring inte)
- Kors inte vägar eller grusvägar om verktyget körs
- Bli inte distraherad och koncentra dig alltid på det du gör
- Se alltid till att ventilationsöppningarna hålls fria från skräp

EFTER ANVÄNDNINGEN

- Borsten fortsätter att rotera under en kort tid efter att verktyget har stängts av (**vidrör inte den roterande borsten**)
- Koppla alltid bort kontakten från strömkällan
 - när verktyget är obebakt
 - innan material som fastnat tas bort
 - innan verktyget kontrolleras, rengörs eller servas
 - efter att ha träffat ett främmande föremål
 - om verktyget börjar vibrera onormalt mycket
- Innan du ställer från dig maskinen måste du stänga av motorn och se till att alla rörliga delar har stannat helt
- Förvara maskinen **inomhus** på torrt ställe utom räckhåll för barn

FÖRKLARING AV SYMBOLERNA PÅ VERKTYGET

- ③ **Varning!** Läs bruksanvisningen
- ④ Utsätt inte maskinen för regn
- ⑤ Använd skyddsglasögon och hörselskydd
- ⑥ **Var medveten om risken för skador som orsakas av flygande skräp** (håll andra personer på ett säkert avstånd från arbetsområdet)

- ⑦ Håll alltid händer och fötter borta från roterande delar
- ⑧ Stäng av och koppla bort kontakten före rengöring/underhåll eller om (förlängning)sladden är skadad eller har trasslat sig
- ⑨ Dubbel isolering (ingen jordning krävs)
- ⑩ Maskinen får inte kastas i hushållssoptorna

ANVÄNDNING

- Monteringsanvisningar
 - ! **dra alltid ur kontakten innan borsten monterats bort**
 - skjut skyddet A över motorhuset enligt bilden tills det klickar på plats ⑪
 - montera hjulet B på motorhuset enligt bilden tills det klickar på plats ⑫
 - håll spindellåsknappen C intryckt medan du drar åt spännmuttern D med nyckeln E ⑬
 - montera borsten F med dess mittpunkt i linje med borstindikatorn G
 - dra åt spännmuttern D med nyckeln E och tryck samtidigt på spindellåsknappen C
 - ! **byt borsten när den är sliten (SKIL-tillbehörsnummer 2610Z02973)**
- Höjjustering ⑭
 - lossa låshylsan H genom att vrida den medurs
 - ! **när verktyget används första gången vrider du handtaget K 90° efter att ha lossat låshylsan H**
 - dra ut röret J till önskad höjd
 - dra åt låshylsan H genom att vrida den moturs
 - ! **överbelasta inte verktyget när röret dras ut/in till önskad höjd**
- Sladdhållare ⑮
 - lägg förlängningssladdens slinga över hållaren L enligt bilden
 - dra åt för att fästa förlängningssladden
- Till/från ⑯
 - starta maskinen genom att trycka på strömbrytaren M
 - stäng av maskinen genom att släppa strömbrytaren M
 - ! **när verktyget har stängts av fortsätter borsten att rotera under några sekunder**
 - låt borsten sluta rotera innan du startar igen
 - ! **du ska inte starta och stänga av i snabb följd**
- Före användning av maskinen
 - se till att borsten F ⑬ är rätt monterad och att spännmuttern D ⑬ är ordentligt åtdragen
 - testkör maskinen i minst 30 sekunder på maximalt tillåtna obelastade varvtal i en säker position
 - stanna omedelbart maskinen vid kraftig vibration eller om andra fel uppstått och kontrollera maskinen för att bedöma orsaken
- Avlägsna ogräs
 - ! **se till att klippområdet är fritt från stenar, skräp och andra främmande föremål**
 - se till att verktygets nedre del hålls i plant läge
 - börja arbeta endast om motorn är igång
 - börja arbeta nära eluttaget och förflytta dig bort från det under arbetets gång
 - håll verktyget borta från hårda föremål och växter
 - använd inte verktyget på samma plats för länge
 - överbelasta inte verktyget

- Fattning och styrning av maskinen ⑰
 - håll verktyget stadigt med ena handen
 - för verktyget med konstant hastighet över den yta som ska bearbetas
 - stå stadigt när du arbetar
 - håll alltid verktyget på avstånd från kroppen

ANVÄNDNINGSTIPS

- Bäst resultat uppnås om du testkör verktyget på en liten del av ytan och kontrollerar att plattorna inte skadas
- Regelbunden ogräsborttagning hjälper till att undvika envist ogräs
- För fler tips se www.skil.com

UNDERHÅLL / SERVICE

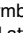
- Det här verktyget är inte avsedd för yrkesmässig användning
- Håll alltid din maskin och sladden ren
 - ! **drag ur stickkontakten innan rengöring**
 - rengör ventilationsöppningarna N ② regelbundet med en mjuk trasa
 - avlägsna regelbundet smuts från klippskyddet A ② med en mjuk borste
- Förvaring ⑱
 - förvara maskinen **inomhus** på torrt ställe utom räckhåll för barn
 - montera upphängningsskenan på ett säkert sätt P på väggen med 4 skruvar (**medföljer inte**) med horisontell inriktning
- Om i elverktyget trots exakt tillverkning och sträng kontroll störning skulle uppstå, bör reparation utföras av auktoriserad serviceverkstad för SKIL elverktyg
 - sänd in verktyget i **odemonterat skick** tillsammans med inköpsbevis till försäljaren eller till närmaste SKIL serviceverkstad (adresser till servicestationer och sprängskisser av maskiner finns på www.skil.com)

FELSÖKNING

- På följande lista anges problemsymptom, tänkbara orsaker och avhjälpande åtgärder (om de inte identifierar och rättar till problemet kontaktar du en återförsäljare eller serviceverkstad)
 - ! **stäng av verktyget och dra ur kontakten innan problemet undersöks**
- ★ Verktyget fungerar inte
 - fel i eluttaget -> använd ett annat uttag
 - skadad förlängningssladd -> byt förlängningssladden
 - borsten har monterats på fel sätt -> montera borsten igen
- ★ Verktyget fungerar då och då
 - defekta interna kopplingar -> kontakta återförsäljare/serviceverkstad
 - defekt strömbrytare -> kontakta återförsäljare/serviceverkstad
- ★ Ogräset avlägsnas inte fullständigt
 - skadad/sliten borste -> byt borste

MILJÖ

- **Elektriska verktyg, tillbehör och förpackning får inte kastas i hushållssoptorna** (gäller endast EU-länder)
 - enligt direktivet 2012/19/EG som avser äldre elektrisk och elektronisk utrustning och dess tillämpning enligt

- nationalen lagstiftning ska uttjanta elektriska verktyg sorteras separat och lämna till miljövänlig återvinning
- symbolen  kommer att påminna om detta när det är tid att kassera

FÖRSÄKRAN OM ÖVERENSSTÄMMELSE

- Vi försäkras härmed under exklusivt ansvar att denna produkt som beskrivs i "Tekniska data" överensstämmer med följande normer eller normativa dokument: EN 60335, EN 61000, EN 55014 enligt bestämmelserna i direktiven 2006/95/EG, 2004/108/EG, 2006/42/EG, 2000/14/EG, 2011/65/EU
- **Teknisk tillverkningsdokumentation finns hos:** SKIL Europe BV (PT-SEU/ENG1), 4825 BD Breda, NL

Marijn van der Hoofden Olaf Dijkgraaf
Operations & Engineering Approval Manager



SKIL Europe BV, 4825 BD Breda, NL

19.12.2013



LJUD/VIBRATION

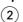
- Ljudtrycksnivån som uppmätts enligt EN 60335 är på denna maskin 68 dB(A) och ljudeffektnivån 88 dB(A) (standard deviation: 3 dB), och vibration 3,2 m/s² (hand-arm metod; onoggrannhet $K = 1,5 \text{ m/s}^2$)
 - Mått enligt 2000/14/EG (EN/ISO 3744) är den garanterade ljudeffektnivån (LWA) lägre än 91 dB (A) (bedömningsmetod för överensstämmelse enligt bilaga VI) Anmält organ: KEMA, Arnhem, NL ID-nummer för anmält organ: 0344
 - Vibrationsemissionsvärdet har uppmätts enligt ett standardiserat test i enlighet med EN 60335; detta värde kan användas för att jämföra vibrationen hos olika verktyg och som en ungefärlig uppskattning av hur stor vibration användaren utsätts för när verktyget används enligt det avsedda syftet
 - om verktyget används på ett annat än det avsedda syftet eller med fel eller dåligt underhållna tillbehör kan detta drastiskt **öka** vibrationsnivån
 - när verktyget stängs av eller är på men inte används, kan detta avsevärt **minska** vibrationsnivån
- ! skydda dig mot vibration genom att underhålla verktyget och dess tillbehör, hålla händerna varma och styra upp ditt arbetssätt**


 DK

Ukrudtsbørste

0700

INLEDNING

- Dette værktøj er blevet konstrueret til fjernelse af ukrudt fra terrasser og mellem fliser
- Dette værktøj er ikke beregnet til professionelt brug
- Kontroller, om pakken indeholder alle dele som vist på illustrationen 

- Kontakt venligst din forhandler, hvis dele mangler eller er beskadiget
- **Læs denne brugsanvisning omhyggeligt igennem, inden støvsugeren bruges, og gem brugsanvisningen til senere brug **
- **Vær særlig opmærksom på sikkerhedsinstruktionerne og advarselne; gøres dette ikke, kan det medføre alvorlige skader**

TEKNISKE DATA

VÆRKTØJETS DELE

- A Beskyttelsesskærm
- B Hjul
- C Spindelåseknep
- D Spændetangens møtrik
- E Nøgle
- F Børste
- G Indikator for børste
- H Låsemuffe
- J Teleskopstang
- K Håndtag
- L Ledningsholder
- M Udløserkontakt
- N Ventilationshuller
- P Opbevaringsskinne (**skruerne følger ikke med**)

SIKKERHED

SÆRLIGE SIKKERHEDSANVISNINGER FOR UKRUDTSBØRSTER

GENERELT

- Gør dig bekendt med kontrollerne og den korrekte brug af værktøjet
- Brugeren er ansvarlig for ulykker eller farer, der kan forekomme i forhold til andre mennesker eller deres ejendom
- Værktøjet må kun anvendes, hvis den omgivende temperatur er mellem 0° C og 40° C
- Skæredele af metal på aldrig monteres på dette værktøj
- Anvend aldrig værktøjet til fjernelse af vådt ukrudt

PERSONLIG SIKKERHED

- Dette værktøj er ikke beregnet til brug for personer (herunder børn), der har nedsatte fysiske, sensoriske eller mentale evner eller mangel på erfaring og viden, med mindre disse personer er blevet givet instruktion og supervision i brugen af værktøjet fra en person, som er ansvarlig for deres sikkerhed
- Børn må ikke lege med dette værktøj
- Lad aldrig børn eller personer, der ikke er bekendt med brugsanvisningen, bruge værktøjet
- Anvend altid øjenbeskyttelse, lange bukser og solide sko, når du betjener værktøjet
- Værktøjet må aldrig betjenes, hvis beskyttelsesskærmen er beskadiget eller ikke er monteret
- Værktøjet må ikke anvendes, når der er andre personer i nærheden; stop værktøjet, hvis der er andre personer (i særdeleshed børn) eller kæledyr i nærheden
- Hvis du er træt, syg eller påvirket af stoffer, alkohol eller medicin, må du ikke betjene værktøjet

ELEKTRISK SIKKERHED

- Kontrollér altid at forsyningsspændingen er den samme som den spænding, der er anført på værktøjets navneskilt (værktøj med betegnelse 230V eller 240V kan også tilsluttes til 220V)
- Undersøg ledningen med mellemrum og få det skiftet ud af en anerkendt fagmand, hvis den er beskadiget
- Kontrollér forlængerledningen med jævne mellemrum, og udskift den, hvis den er ødelagt (**defekte forlængerledninger kan være farlige**)
- Anvend kun en forlængerledning, der er egnet til udendørs brug og udstyret med et vandtæt stik og koblingsstikkontakt
- Anvend helt udrullede og sikre forlængerledninger med en kapacitet på 16 A
- Hvis værktøjet anvendes i fugtige omgivelser, skal der bruges en fejlstrømssikring (RCD) med en udløserstrøm på maks. 30 mA
- Gå ikke hen over ledningen, og lad være med at mase eller trække i (forlænger) ledningen
- Hold (forlænger) ledningen væk fra varme, olie og skarpe kanter
- Sørg for at holde (forlænger-)ledningen væk fra den roterende børste
- Sluk altid for værktøjet og tag stikket ud af strømkilden, hvis der bliver skåret i strømledningen eller forlængerledningen eller hvis den bliver beskadiget eller viklet ind i noget (**rør ikke ved ledningen, før du har taget stikket ud**)

BØRSTER

- SKIL kan kun sikre en korrekt funktion af værktøjet, hvis der benyttes originalt tilbehør
- Monter kun børster, som har markeret, at maksimalhastigheden ("RPM") er højere end rotationerne pr. minut på værktøjet
- Brug kun børster med en maks. diameter på 100 mm
- Anvend aldrig slidte børster
- Rustpletter eller andre tegn på kemiske eller mekaniske ændringer på materialet, der holder børstetrådene på plads, kan forårsage for tidlig funktionsfejl på børsten
- Opbevar børsterne et velegnet sted på en sådan måde, at de er beskyttet mod følgende påvirkninger:
 - høj luftfugtighed, varme, vand eller andre væsker, som kan beskadige børsten
 - syrer eller syredampe, som kan beskadige børsten
 - lave omgivende temperaturer, der forårsager kondens på børsten, når den opbevares i et område med højere omgivende temperaturer
 - deformation af hvilken som helst del af børsten

INDEN BRUG

- Brug kun værktøjet i dagslys, eller hvis der er tilstrækkeligt kunstigt lys
- Hver gang værktøjet tages i brug og efter eventuelle slag, skal man kontrollere dets funktion, og i tilfælde af en fejl, skal man omgående få værktøjet repareret af en kvalificeret person (man må aldrig selv åbne værktøjet)
- Fjern indstillingsnøgle, inden maskinen tændes) hvis et stykke en nøgle sidder i en roterende maskindel, er der risiko for personskader)
- Før brug skal man grundigt inspicere det område, der skal beskæres, og fjerne eventuelle genstande, som værktøjet kan kaste afsted under beskæringen (som f.eks. sten og løse stykker træ)

UNDER BRUG

- Brug kun værktøjet i en lodret position med børsten pegende mod jorden (**tænd aldrig for værktøjet i en anden position**)
- Betjen kun værktøjet i gåhastighed (du må ikke løbe)
- Gå ikke over veje eller grusstier, mens værktøjet er tændt
- Lad dig ikke distrahere og koncentrer dig om dit arbejde
- Sørg altid for, at ventilationsåbningerne er fri for affald

EFTER BRUG

- Børsten fortsætter med at dreje rundt få sekunder efter, at værktøjet er slukket (**rør ikke ved den roterende børste**)
- Tag altid stikket ud af strømkilden
 - når du forlader værktøjet, så det er uden opsyn
 - før du fjerner materiale, der sidder fast
 - før du kontrollerer, rengør eller udfører arbejde på værktøjet
 - efter at have ramt et fremmedlegeme
 - hvis værktøjet begynder at vibrere unormalt
- Før man lægger værktøjet fra sig, man slukke for motoren og sikre, at alle bevægelige dele er standset helt
- Opbevar værktøjet **indendørs** på et tørt, aflåst sted, utilgængeligt for børn

FORKLARING TIL SYMBOLERNE PÅ VÆRKTØJET

- ③ **Advarsel!** Læs instruktionsmanualen
- ④ Udsæt ikke værktøjet for regn
- ⑤ Brug beskyttelsesbriller og høreværn
- ⑥ **Vær opmærksom på den risiko for skade, der kan forårsages af flyvende affald** (andre personer skal befinde sig sikkert på afstand af arbejdsområdet)
- ⑦ Hold altid hænder og fødder væk fra roterende dele
- ⑧ Sluk for strømmen og tag stikket ud før rengøring/vedligeholdelse eller hvis ledning eller forlængerledning er beskadiget eller viklet ind i noget
- ⑨ Dobbelt isolering (jordforbindelse nødvendig)
- ⑩ Værktøj må ikke bortskaffes som almindeligt affald

BETJENING

- Samlingsvejledning
 - ! **træk altid stikket ud før montering/afmontering af børsten**
 - skub skærm A over motorhuset som vist på tegningen, til der lyder et klik ①
 - monter hjul B på motorhuset som vist på tegningen, til der lyder et klik ②
 - tryk på knappen til spindellås C og hold den nede, mens du løsner spændetangens møtrik D ved hjælp af nøgle E ③
 - monter børste F, så midten er på linje med indikator for børste G
 - spænd spændetangens møtrik D med nøglen E, mens der trykkes på spindellåseknappen C
 - ! **udskift børsten, når den er slidt (SKIL tilbehørsnummer 2610Z02973)**
- Højdejustering ⑭
 - løsgør låsemuffen H ved at dreje den med uret
 - ! **når du bruger værktøjet første gang, skal du dreje håndtag K 90°, efter du har løsnet låsemuffen H**
 - træk stangen J til den ønskede højde
 - stram låsemuffen H ved at dreje den mod uret
 - ! **overbelast ikke værktøjet, når du forlænger/ trækker røret til den ønskede højde**

- Ledningsholder 15
 - lav en løkke med forlængerledningen, og sæt den over holderen L som vist på billedet
 - stram forlængerledningen, så den sidder fast
- Tænd/sluk 16
 - tænd værktøjet ved at trykke på udløserkontakt M
 - sluk værktøjet ved at slippe udløserkontakten M
 - ! **når værktøjet er slukket, fortsætter børsten med at rotere nogle få sekunder**
 - lad børsten stoppe med at rotere, før du tænder igen
 - ! **lad være med at tænde og slukke hurtigt efter hinanden**
- Før ibrugtagning af værktøjet
 - sørg for at børste F 13 er rigtigt monteret og at spændetangens møtrik D 13 sidder godt fast
 - test værktøjet i min. 30 sekunder på nøjeste omdrejningstal i en sikker position
 - ved anelig vibration eller andre defekter, stop straks værktøjet og check værktøjet for at finde den mulige årsag hertil
- Fjernelse af ukrudt
 - ! **kontroller, at der ikke er sten, affald eller andre fremmedlegemer på det område, der skal beskæres**
 - sørg for at den nederste side af værktøjet bliver holdt i en plan position
 - start først arbejdet, når motoren er i gang
 - begynd at arbejde i nærheden af hovedstikket, og bevæg dig væk, mens du arbejder
 - hold værktøjet væk fra hårde genstande og planter
 - anvend ikke værktøjet på ét sted i for lang tid ad gangen
 - overbelast ikke værktøjet
- Håndtering og styring af værktøjet 17
 - hold godt fast i værktøjet med den ene hånd
 - hold værktøjet i en konstant hastighed over den flade, der skal arbejdes på
 - oprethold en stabil arbejdsstilling
 - sørg altid for at holde værktøjet på afstand af kroppen

GODE RÅD

- For at få de bedste resultater skal værktøjet testkøres på en lille del af fladen. Kontroller, at fliserne ikke bliver beskadiget
- Regelmæssig fjernelse af ukrudt hjælper med at undgå genstridigt ukrudt
- For flere tips se www.skil.com

VEDLIGEHODELSE/SERVICE

- Dette værktøj er ikke beregnet til professionelt brug
- Hold værktøjet og ledningen ren
 - ! **træk stikket ud før rensning**
 - rengør regelmæssigt ventilationshuller N 2 med en blød klud
 - fjern regelmæssigt skidt fra beskyttelseskærm A 2 med en blød klud
- Opbevaring 18
 - opbevar værktøjet **indendørs** på et tørt, aflåst sted, utilgængeligt for børn
 - monter omhyggeligt opbevaringsskinen P på væggen med 4 skruer (**følger ikke med**), og justér den vandret

- Skulle el værktøjet trods omhyggelig fabrikation og kontrol holde op med at fungere, skal reparationen udføres af et autoriseret serviceværksted for SKIL-elektroværktøj
 - send det **uskilte** værktøjet sammen med et købsbevis til forhandleren eller nærmeste SKIL serviceværksted (adresser og reservedelstegning af værktøjet findes på www.skil.com)

FEJLFINDING

- Den følgende liste viser problemsymptomer, mulige grunde samt afhjælpningsaktiviteter (hvis du ikke kan finde årsagen og rette problemet, bedes du kontakte forhandleren eller serviceværkstedet)
 - ! **sluk for værktøjet, og tag stikket ud, før du begynder at lede efter problemet**
- ★ Værktøjet virker ikke
 - fejl i strømforsyningsstikket -> brug et andet stik
 - forlængerledning ødelagt -> udskift forlængerledningen
 - børste er ikke monteret korrekt -> monter børste igen
- ★ Værktøjet fungerer uregelmæssigt
 - intern ledningsdefekt -> kontakt forhandleren/serviceværkstedet
 - on/off kontakt defekt -> kontakt forhandleren/serviceværkstedet
- ★ Ukrudt bliver ikke fjernet helt
 - børste beskadiget/slidt -> udskift børste

MILJØ

- **Elværktøj, tilbehør og emballage må ikke bortskaffes som almindeligt affald** (kun for EU-lande)
 - i henhold til det europæiske direktiv 2012/19/EF om bortskaffelse af elektriske og elektroniske produkter og gældende national lovgivning, skal brugt elværktøj indsamles separat og bortskaffes på en måde, der skåner miljøet mest muligt
 - symbolet 10 erindrer dig om dette, når udskiftning er nødvendig

OVERENSSTEMMELSESERKLÆRING



- Vi erklærer under almindeligt ansvar, at det produkt, der er beskrevet under "Tekniske data", er i overensstemmelse med følgende standarder eller normative dokumenter: EN 60335, EN 61000, EN 55014 i henhold til bestemmelserne i direktiverne 2006/95/EF, 2004/108/EF, 2006/42/EF, 2000/14/EF, 2011/65/EU
- **Teknisk dossier hos:** SKIL Europe BV (PT-SEU/ENG1), 4825 BD Breda, NL

Marijn van der Hoofden
Operations & Engineering

Olaf Dijkgraaf
Approval Manager

SKIL Europe BV, 4825 BD Breda, NL

19.12.2013

CE11

STØJ/VIBRATION

- Måles efter EN 60335 er lydtrykniveau af dette værktøj 68 dB(A) og lydeffektniveau 88 dB(A) (standard deviation: 3 dB), og vibrationsniveauet 3,2 m/s² (hånd-arm metoden; usikkerhed K = 1,5 m/s²)

- Måles etter 2000/14/EF (EN/ISO 3744) er det garanterede ydeffektniveau LWA mindre end 91 dB(A) (producerer for overensstemmelsesvurdering iht. bilag VI)

Underrettet myndighet: KEMA, Arnhem, NL

Identifikasjonsnummer for underrettet myndighet: 0344

- Det vibrationsnivåu er målt i henhold til den standardiserte test som anført i EN 60335; den kan benyttes til at sammenligne to stykker værktøj og som en foreløbig bedømmelse af udsættelsen for vibrationer, når værktøjet anvendes til de nævnte formål
 - anvendes værktøjet til andre formål eller med andet eller dårligt vedligeholdt tilbehør, kan dette **øge** udsættelsesnivåuet betydeligt
 - de tidsrum, hvor værktøjet er slukket, eller hvor det kører uden reelt at udføre noget arbejde, kan **reducere** udsættelsesnivåuet betydeligt
- ! **beskyt dig selv imod virkningerne af vibrationer ved at vedligeholde værktøjet og dets tilbehør, ved at holde dine hænder varme og ved at organisere dine arbejdsmønstre**

N

Ugressbørste

0700

INTRODUKSJON

- Dette verktøyet er konstruert for å fjerne ugress fra terrasser og mellom fliser
- Dette verktøyet er ikke beregnet på profesjonell bruk
- Se etter at emballasjen inneholder alle deler, som vist på tegningen ②
- Ta kontakt med forhandleren når deler mangler eller er skadet
- **Les denne instruksjonen nøye før bruk, og ta vare på den for fremtidig bruk** ③
- **Gjør deg spesielt godt kjent med sikkerhetsveiledningene og advarslene; hvis du unnlater å følge dem, kan du risikere alvorlige skader**

TEKNISKE DATA ①

VERKTØYELEMENTER ②

- A Kuttevern
- B Hjul
- C Spindellåseknapp
- D Chuck-mutter
- E Nøkkel
- F Børste
- G Børsteindikator
- H Låsemuffe
- J Teleskoprør
- K Håndtak
- L Ledningsfeste
- M Utløsningsbryter
- N Ventilasjonsåpninger
- P Oppbevaringsskinne (**skruer følger ikke med**)

SIKKERHET

SPESIFIKKE SIKKERHETSINSTRUKSJONER FOR UGRESSBØRSTER

GENERELL

- Gjør deg kjent med kontrollene og riktig bruk av verktøyet
- Brukeren er ansvarlig for ulykket eller farer som skjer med andre mennesker eller deres eiendom
- Bruk verktøyet bare når omgivelsestemperaturen er mellom 0 °C og 40 °C
- Monter aldri skjæreelementer av metall på dette verktøyet
- Bruk ikke verktøyet til å fjerne vått ugress

PERSONSIKKERHET

- Dette verktøyet må ikke brukes av barn eller personer med fysiske eller sansemessige handicap, eller som er mentalt tilbakestående, eller mangler erfaring og kunnskaper, med mindre de er under tilsyn og får opplæring i bruk av verktøyet av en person som er ansvarlig for sikkerheten deres
- Sørg for at barn ikke får anledning til å leke med verktøyet
- La aldri barn eller personer som ikke er kjent med bruksanvisningene, bruke verktøyet
- Bruk alltid vernebriller, langbukser og solide sko når du bruker dette verktøyet
- Bruk aldri verktøyet med skadet kuttevern eller uten at kuttevernet er montert
- Bruk aldri verktøyet i nærheten av personer; slutt å bruke det når personer (spesielt barn) eller kjæledyr er i nærheten
- Bruk aldri verktøyet når du er trett, syk eller under påvirkning av narkotika, alkohol eller legemidler

ELEKTRISK SIKKERHET

- Sjekk alltid at tilført spenningen er den samme som oppgitt på verktøyet merkeplate (verktøy som er betegnet med 230V eller 240V kan også koples til et 220V strømnett)
- Sjekk ledningen regelmessig, og få den skiftet ud af en anerkendt fagmand hvis skadd
- Inspiser skjøteledningen med jevne mellomrom og skift den hvis den er skadet (**det kan være farlig å bruke uegnede skjøteledninger**)
- Bruk bare skjøteledninger som er beregnet for bruk utendørs og som er utstyrt med vannrett stikk-kontakt
- Bruk helt utrullet og sikker skjøteledning med en kapasitet på 16 A
- Når verktøyet brukes i fuktige miljøer, bruk en reststrømenhet (RCD) med utløsningsstrøm på maks. 30 mA
- Ikke kjør over, knuse eller trekke i (skjøte-)ledningen
- Beskytt (skjøte-)ledningen mot varme, olje og skarpe kanter
- Hold (skjøte)ledningen borte fra den roterende børsten
- Slå alltid av verktøyet og trekk ut støpselet fra strømkilden hvis strømedningen eller skjøteledningen kuttes over, skades eller sammenfiltes (**ikke rør ledningen før du trekker du støpselet**)

BØRSTER

- SKIL kan kun garantere et feilfritt verktøy dersom original-tilbehør brukes
- Du må bare montere børster som har et høyere maksimalt omdreiningstall ("RPM") enn omdreiningstallet som er merket på verktøyet
- Bruk bare børster med en maksimal diameter på 100 mm
- Bruk ikke slitte børster

- Rustflekker eller andre tegn til kjemiske eller mekaniske endringer i materialet som holder børstegjengene, kan forårsake for tidlig funksjonssvikt
- Børster må oppbevares på et egnet sted og slik at de er beskyttet mot følgende påvirkninger:
 - høy luftfuktighet, varme, vann eller andre væsker som kan skade børsten
 - syrer eller syredamper, som kan skade børsten
 - lave omgivelsestemperaturer som forårsaker kondensering på børsten når den oppbevares i et område med høyere omgivelsestemperaturer
 - deformasjon av en del av børsten

FØR BRUK

- Bare bruk verktøyet i dagslys eller med egnet kunstig belysning
- Sjekk at verktøyet er i funksjonell stand før det tas i bruk og etter støt; hvis verktøyet er defekt, skal det alltid repareres av fagfolk (du må aldri åpne verktøyet selv)
- Fjern innstillingsverktøy eller skrunøkler før du slår på elektroverktøyet (**en nøkkel som befinner seg i en roterende maskindel, kan føre til skader**)
- Før bruk må områder der du klipper inspiseres grundig; alle gjenstander må fjernes som verktøyet kan komme borti under klipping (f.eks. steiner, løse trebiter, osv.)

UNDER BRUK

- Verktøyet må kun brukes i vertikal posisjon med børsten vendt mot bakken (**verktøyet må aldri slås på i en annen posisjon**)
- Bruk verktøyet kun i gåhastighet (ikke løp med det)
- Ikke kryss veier eller grusstier når verktøyet fortsatt er i gang
- Ikke bli distraheret og konsentrert alltid på det du gjør
- Pass alltid på at ventilasjonsåpninger er frie for restmaterialer

ETTER BRUK

- Børsten fortsetter å rotere en kort stund etter at verktøyet er slått av (**ikke rør den roterende børsten**)
- Ta alltid ut støpselet fra strømkilden
 - når verktøyet forlattes uten tilsyn
 - før du fjerner materiale som har satt seg fast
 - før du sjekker, rengjør eller arbeider med verktøyet
 - etter at du har truffet en fremmed gjenstand
 - når verktøyet begynner å vibrere unormalt
- Før du legger verktøyet fra deg, slå av motoren og forsikre deg om at alle roterende deler har stoppet helt
- Verktøyet skal oppbevares **innendørs** på et tørt sted hvor det er låst inne og er utilgjengelig for barn

FORKLARING AV SYMBOLER PÅ VERKTØY

- ③ **Advarsel!** Les instruksjonshåndboken
- ④ Ikke utsett verktøyet for regn
- ⑤ Bruk beskyttelsesbriller og hørselsvern
- ⑥ **Vær oppmerksom på risikoen for skade som følge av restmaterialer som kastes ut** (hold avstand til forbi passerende)
- ⑦ Hold alltid hender og føtter unna roterende deler
- ⑧ Slå av og koble ut støpselet før rengjøring/vedlikehold eller hvis (skjøte-)ledningen er skadet eller floket
- ⑨ Dobbeltisolert (ikke nødvendig med jordingsleder)
- ⑩ Kast aldri verktøy i husholdningsavfallet

BRUK

- Monteringsanvisninger
 - ! **ta alltid ut støpselet før du monterer/demonterer børsten**
 - skyv dekselet A over motorhuset som vist, til det klikker på plass ⑪

- monter hjulet B på motorhuset som vist, til det klikker på plass ⑫
- trykk på spindellåsknappen C og hold den inne mens du løsner låsemutteren D med nøkkelen E ⑬
- monter børsten F med senter på linje med børsteindikatoren G
- trekk til låsemutteren D med nøkkelen E mens du holder spindellåsknappen inne C

! **skift ut børsten hvis den er slitt (SKIL tilbehør 2610Z02973)**

- Høydejustering ⑭
 - løsne på låsemuffen H ved å dreie med klokken
 - ! **når du skal bruke verktøyet for første gang, må du rotere håndtaket K 90° når du har løsnet låsehylsen H**
 - trekk ut røret J til ønsket høyde
 - stram på låsemuffen H ved å dreie mot klokken
 - ! **tving ikke verktøyet når du trekker røret ut/inn til ønsket høyde**
- Ledningsfeste ⑮
 - hekt løkken i skjøteledningen over feste L som vist
 - trekk stramt for å feste skjøteledningen
- Av/på ⑯
 - slå på verktøyet ved å trykke på utløserbryteren M
 - slå av verktøyet ved å slippe utløserbryteren M
 - ! **når du har slått av verktøyet, fortsetter børsten å rotere i noen sekunder**
 - la børsten slutte å rotere før du slår det på igjen
 - ! **ikke slå raskt av og på**
- Før bruk
 - forviss deg om at børsten F ⑬ er riktig montert og at låsemutteren D ⑮ sitter som den skal
 - test verktøyet i minimum 30 sekunder på høyeste hastighet i en sikker stilling uten å berøre arbeidsstykket
 - stopp øyeblikkelig dersom verktøyet vibrerer unormalt mye eller andre problemer oppstår, og sjekk verktøyet nøye
- Fjerne ugress
 - ! **pass på at kutteområdet er fritt for steiner, rester og andre fremmede gjenstander**
 - forviss deg om at undersiden av verktøyet holdes i vannrett posisjon
 - begynn arbeidet først når motoren er i gang
 - begynn å arbeide i nærheten av strømuttaket og flytt deg i retning bort fra den når du jobber
 - hold verktøyet borte fra harde gjenstander og planter
 - bruk ikke verktøyet for lenge på ett sted
 - ikke overbelast verktøyet
- Grep og styring av verktøyet ⑰
 - hold godt tak i verktøyet med én hånd
 - før verktøyet med konstant hastighet over det aktuelle området
 - oppretthold en stabil arbeidsposisjon
 - hold verktøyet alltid godt unna kroppen din

BRUKER TIPS

- For å oppnå best mulig resultat bør du testkjøre verktøyet på et lite område og kontrollere at flisene ikke blir skadet
- Regelmessig ugressfjerning holder ugresset unna
- Se flere tips på www.skil.com

VEDLIKEHOLD / SERVICE

- Dette verktøyet er ikke beregnet på profesjonell bruk
- Hold alltid verktøyet og kabelen ren
 - ! **dra ut støpselet før rengjøring**
 - rengjør ventilasjonsåpningene N ② regelmessig med en myk klut
 - fjern skitt fra dekselet A ② regelmessig med en myk klut
- Oppbevaring ⑱
 - verktøyet skal oppbevares **innendørs** på et tørt sted hvor det er låst inne og er utlignelig for barn
 - fest oppbevaringsskinnen godt P til veggen med 4 skruer (**følger ikke med**) og påse at den er i vater horisontalt
- Hvis elektroverktøyet til tross for omhyggelige produksjons- og kontrollmetoder en gang skulle svikte, må reparasjonen utføres av et autorisert serviceverksted for SKIL-elektroverktøy
 - send verktøyet i **montert** tilstand sammen med kjøpebevis til forhandleren eller nærmeste SKIL servicesenter (adresser liksom service diagram av verktøyet finner du på www.skil.com)

FEILSØKING

- Følgende liste viser problemsymptomer, mulige årsaker og korrigerende tiltak (hvis ikke disse identifiserer og utbedrer problemet, ta kontakt med forhandler eller serviceavdeling).

! **slå av verktøyet og ta ut støpselet før du undersøket hva problemet er**

- ★ Verktøyet virker ikke
 - defekt strømkontakt -> bruk et annet uttak
 - skjøteledning skadet -> skift skjøteledningen
 - børste feil montert -> monter børsten på nytt
- ★ Verktøyet virker ujevnt
 - innvendig krets defekt -> kontakt forhandler/serviceavdeling
 - av/på-bryter defekt -> kontakt forhandler/serviceavdeling
- ★ Ugresset er ikke fjernet helt
 - børste skadet/slitt -> skift ut børsten

MILJØ

- **Kast aldri elektroverktøy, tilbehør og emballasje i husholdningsavfallet** (kun for EU-land)
 - i henhold til EU-direktiv 2012/19/EF om kasserte elektriske og elektroniske produkter og direktivets iverksetting i nasjonal rett, må elektroverktøy som ikke lenger skal brukes, samles separat og returneres til et miljøvennlig gjenvinningsanlegg
 - symbolet ⑩ er påtrykt som en påminnelse når utskifting er nødvendig

SAMSVARERKLÆRING CE

- Vi erklærer som eneansvarlig at produktet som beskrives under "Tekniske data" stemmer overens med følgende normer eller normative dokumenter: EN 60335, EN 61000, EN 55014 jf. bestemmelsene i direktivene 2006/95/EF, 2004/108/EF, 2006/42/EF, 2000/14/EF, 2011/65/EU

- **Tekniske underlag hos:** SKIL Europe BV (PT-SEU/ENG1), 4825 BD Breda, NL

Marijn van der Hoofden Olaf Dijkgraaf
Operations & Engineering Approval Manager

SKIL Europe BV, 4825 BD Breda, NL

19.12.2013

CE11

STØY/VIBRASJON

- Målt ifølge EN 60335 er lydtrykknivået av dette verktøyet 68 dB(A) og lydstyrkenivået 88 dB(A) (standard deviasjon: 3 dB), og vibrasjonsnivået 3,2 m/s² (hånd-arm metode; usikkerhet K = 1,5 m/s²)
 - Målt ifølge 2000/14/EF (EN/ISO 3744) er garantert lydstyrkenivået LWA lavere enn 91 dB(A) (samsvarsbedømmelsesmetode jf. vedlegg VI) Anmeldt organ: KEMA, Arnhem, NL ID-nummer hos anmeldt organ: 0344
 - Det avgitte vibrasjonsnivået er blitt målt i samsvar med en standardisert test som er angitt i EN 60335; den kan brukes til å sammenligne et verktøy med et annet, og som et foreløpig overslag over eksponering for vibrasjoner ved bruk av verktøyet til de oppgavene som er nevnt
 - bruk av verktøyet til andre oppgaver, eller med annet eller mangelfullt vedlikeholdt utstyr, kan gi en vesentlig **økning** av eksponeringsnivået
 - tidsrommene når verktøyet er avslått eller når det går men ikke arbeider, kan gi en vesentlig **reduksjon** av eksponeringsnivået
- ! **beskytt deg selv mot virkningene av vibrasjoner ved å vedlikeholde verktøyet og utstyret, holde hendene varme og organisere arbeidsmåten din**

FIN

Rikkaruohoharja

0700

ESITTELY

- Tämä työkalu on tarkoitettu rikkaruohojen poistamiseen terasseilta ja kivityksiltä
- Tämä työkalua ei ole tarkoitettu ammattikäyttöön
- Varmista, että pakkaus sisältää kaikki osat, jotka näkyvät piirroksessa ②
- Jos osia puuttuu tai on vioittunut, ota yhteyttä jälleenmyyjään
- **Lue tämä ohjekirja huolella ennen käyttöä ja pidä se tallella tulevia tarpeita varten** ③
- **Kiinnitä erityistä huomiota turvallisuutta koskeviin ohjeisiin ja varoituksiin; näiden laiminlyönti voi aiheuttaa vakavan vaurioitumisen**

TEKNISET TIEDOT ①

LAITTEEN OSAT ②

- A Leikkuusuoja
- B Rengas
- C Karanlukituspainike
- D Istukkamutteri
- E Avain
- F Harja
- G Harjanohjain
- H Lukitusholkki
- J Teleskooppiputki
- K Kahva
- L Johtosuojus
- M Kytkin
- N Ilmanvaihto-aukot
- P Säilytyskisko (ei ruuveja mukana)

TURVALLISUUS

ERITYISIÄ TURVAOHJEITA RIKKARUOHOHARJOJEN KÄSITTELYYN

YLEISTÄ

- Varmista, että osat varmasti ohjata työkalua ja käyttää sitä asianmukaisesti
- Käyttäjää vastaa tapaturmista tai vaaratilanteista, joita aiheutuu muille ihmisille tai heidän omaisuudelleen
- Käytä työkalua vain, kun ympäristön lämpötila on 0 - 40°C
- Älä koskaan kiinnitä tähän työkaluun metallisia leikkuuosia
- Älä käytä työkalua märkien rikkaruohojen poistamiseen

HENKILÖTURVALLISUUS

- Tätä työkalua ei ole tarkoitettu henkilöiden käyttöön (mukaan lukien lapset), joiden fyysinen, sensorinen tai henkinen viireys on rajoittunut tai joilla ei ole kokemusta tai tietämystä, ellei heidän turvallisuudestaan vastaava henkilö ole antanut heille ohjausta tai koulutusta työkalun käytössä
- Varmista, etteivät lapset leiki laitteella
- Älä koskaan anna lasten tai muiden käyttöohjeita tuntemattomien käyttäjä työkalua
- Käytä aina suojalaseja, pitkiä housuja ja tukevia kenkiä työkalulla työskennellessäsi
- Älä koskaan käytä työkalua, jos leikkuusuojus on vaurioitunut tai se ei ole paikallaan
- Älä koskaan käytä työkalua ihmisten välittömässä läheisyydessä; keskeytä sen käyttö, kun lähellä on ihmisiä (etenkin lapsia) tai lemmikkieläimiä
- Älä koskaan käytä työkalua ollessasi väsynyt, sairastunut tai huumeiden, alkoholin tai lääkkeiden vaikutuksen alainen

SÄHKÖTURVALLISUUS

- Tarkista aina, että syöttöjännite on sama kuin työkalun nimiläatun osoittama jännite (työkalut, joiden jännitetaso on 230V tai 240V, voidaan kytkeä myös 220V tason jännitteeseen)
- Tarkasta johto ajoittain ja vaan toimita se valtuutettuun huoltoliikkeeseen, kun johto on vioittunut
- Tarkista jatkajohto säännöllisesti ja vaihda se, jos se on vioittunut (**vialliset jatkajohdot voivat olla vaarallisia**)
- Käytä vain sellaista ulkona käytettävää jatkajohtoa, joka on varustettu vesitiiviillä pistokkeella ja liittimellä
- Käytä täysin rullaamattomia ja turvallisia jatkejohtoja, joiden kapasiteetti on 16 ampeeria
- Kun käytät työkalua kosteassa ympäristössä, käytä vikavirtakytkintä (RCD), jonka laukaisuvirta on enintään 30 mA

- Älä juokse (jatko)johdon yli, murskaa sitä tai vedä siitä
- Pidä (jatko)johto poissa lämpölähteiden, öljyn ja terävien reunojen läheltä
- Pidä (jatko)johto poissa pyörivän harjan läheltä
- Katkaise työkalusta aina virta ja irrota pistoke virtalähteestä, jos virtajohto tai jatkojohto katkeaa, vaurioituu tai jää jumiin (**älä koske johtoon ennen pistokkeen irrottamista**)

HARJAT

- SKIL pystyy takaamaan työkalun moitteettoman toiminnan vain, kun käytetään alkuperäisiä tarvikkeita
- Asenna ainoastaan harjoja, joiden maksiminopeus ("RPM") on suurempi kuin työkaluun merkitty kierrosnumero minuutissa
- Käytä ainoastaan harjoja, joiden halkaisija on enintään 100 mm
- Älä käytä kuluneita harjoja
- Ruostetahrat tai muut merkit harjan kiinnityksessä käytettävän materiaalin kemiallisista tai mekaanisista muutoksista voivat aiheuttaa harjan toiminnan loppumisen ennen aikojaan
- Säilytä harjat sopivassa paikassa siten, että ne ovat suojassa seuraavilta vaikutuksilta:
 - suurelta ilmankosteudelta, kuumuudelta, vedeltä tai muilta nesteiltä, jotka voisivat vioittaa harjaa
 - hapoilta tai happohöyryiltä, jotka voisivat vioittaa harjaa
 - mataliila ympäristön lämpötiloilta, jotka aiheuttavat kosteuden tiivistymistä harjaan, kun sitä säilytetään alueella, jolla ympäristön lämpötilat ovat korkeampia
 - harjan osien väntymiseltä

ENNEN KÄYTTÖÄ

- Käytä työkalua ainoastaan päivänvalossa tai riittävässä keinovaistuksessa
- Tarkista työkalun toiminta aina ennen sen käyttöä, ja jos työkalu osuu johonkin ja siitä aiheutuu vika, anna se välittömästi ammattitaitoisen henkilön korjattavaksi (älä koskaan itse avaa työkalua)
- Poista kaikki säätötyökalut ja ruuvitaltat, ennen kuin käynnistät sähkötyökalun (**työkalu tai avain, joka sijaitsee laitteen pyörivässä osassa, saattaa johtaa loukkaantumiseen**)
- Tarkasta ennen käyttöä leikkuualue huolellisesti ja poista esineet, joihin työkalu voi osua leikkuutyön aikana (esim. kivet, irralliset puunkappaleet jne.)

KÄYTÖN AIKANA

- Käytä työkalua ainoastaan pystyasennossa, harjan osuittaessa maahan (**älä koskaan käynnistä työkalua muussa asennossa**)
- Käytä työkalua ainoastaan kävelyvauhdilla (älä juokse)
- Älä ylitä teitä tai hiekkapolkuja työkalun ollessa vielä käynnissä
- Älä anna minkään häiritä työtäsi vaan keskity siihen, mitä teet
- Varmista aina, ettei tuuletusaukoissa ole roskia

KÄYTÖN JÄLKEEN

- Harja pyörii vielä vähän aikaa työkalun sammuttamisen jälkeen (**älä koske pyörivään harjaan**)
- Irrota aina pistoke virtalähteestä
 - kun työkalu jää valvomatta
 - ennen tukoksen muodostaneen materiaalin poistamista
 - ennen työkalun tarkistamista, puhdistusta tai käyttöä
 - jos osut vieraaseen esineeseen
 - jos työkalu alkaa täristä normaalista poikkeavalla tavalla
- Ennen työkalun laskemista maahan katkaise moottorin toiminta ja varmista, että kaikki liikkuvat osat pysähtyvät täysin

- Säilytä työkalu **sisätiloissa** kuivassa ja lukitussa paikassa lasten ulottumattomissa
- TYÖKALUN SYMBOLIEN SELITYKSET**
- ③ **Varoitus!** Lue käyttöohje
- ④ Suojele työkalua sateelta
- ⑤ Käytä suojalaseja ja kuulonsuojaimia
- ⑥ **Huomioi lentävistä roskista johtuva loukkaantumisriski** (pidä sivulliset turvallisen matkan päässä työskentelyalueelta)
- ⑦ Pidä kädet ja jalat aina poissa pyörivien osien läheltä
- ⑧ Katkaise työkalusta virta ja irrota pistoke ennen sen puhdistusta/huoltoa tai jos johto (tai jatkojohto) on vioittunut tai tarttunut kiinni
- ⑨ Kaksoiseristys (ei tarvita maajohtoa)
- ⑩ Älä hävitä konettasi tavallisen kotitalousjätteen mukana

KÄYTTÖ

- Kokoonpano-ohjeet
 - ! **irrota pistoke aina virtalähteestä ennen harjan kiinnittämistä/vaihtamista**
 - työnnä suojus A moottorin kotolon päälle kuvan osoittamalla tavalla, kunnes se napsahtaa paikalleen ⑪
 - kiinnitä pyörä B moottorin kotoloon kuvan osoittamalla tavalla, kunnes se napsahtaa paikalleen ⑫
 - paina karanlukituspainiketta C ja pidä sitä painettuna, kun löysää lukitusmutterin D avaimella E ⑬
 - kiinnitä harja F niin, että sen keskipiste tulee samaan linjaan harjanohjaimen kanssa G
 - kiristä lukitusmutteri D avaimella E painaen samanaikaisesti karanlukituspainiketta C
 - ! **vaihda kuluneen harjan tilalle uusi harja (SKIL-lisävaruste nro 2610Z02973)**
- Korkeussäätö ⑭
 - löysää lukitusholkki H kääntämällä sitä myötäpäivään
 - ! **kun käytät työkalua ensimmäistä kertaa, käännä kahvaa K 90° lukitusholkin H löysäämisen jälkeen**
 - pidennä putki J sopivalle korkeudelle
 - kiristä lukitusholkki H kääntämällä sitä vastapäivään
 - ! **älä käytä liikaa voimaa työkalun liikuttamiseen pidentäessäsi/lyhentäessäsi putkea halutulle korkeudelle**
- Johtosuojus ⑮
 - ripusta jatkojohdon silmukka suojuksen yläpuolelle L kuten kuvassa
 - varmista jatkojohdon kiinnitys vetämällä se tiukalle
- Käynnistys/pysäytys ⑯
 - kytke työkalusta päälle painamalla kytkimestä M
 - sammuta työkalusta vapauttamalla kytkimestä M
 - ! **kun työkalusta on katkaistu virta, harja pyörii vielä muutaman sekunnin ajan**
 - anna harjan pysähtyä ennen kuin käynnistät laitteen uudelleen
 - ! **älä katkaise ja kytke virtaa nopeasti**
- Ennen työkalun käyttöä
 - varmista, että harja F ⑬ on oikein kiinnitetty ja että lukitusmutteri D ⑬ on kiristetty tiukasti
 - koekäytä työkalua antamalla sen käydä vähintään 30 sekuntia maksiminopeudella kuormittamattomana
 - jos ilmenee voimakasta värinää tai muita vikoja, työkalu on heti kytkettävä pois päältä ja vian syy selvitettävä

- Rikkaruohojen poistaminen
 - ! **varmista, ettei leikkuualueella ole kiviä, roskia tai muita vieraita esineitä**
 - pidä työkalun pohja vaakatasossa
 - aloita työskentely vasta moottorin käydessä
 - aloita työskentely pistorasian läheltä ja liiku työskennellessäsi pois päin pistorasiasta
 - pidä työkalu poissa kovien esineiden ja kasvien luota
 - älä käytä työkalua liian kauan yhdessä kohtaa
 - älä ylikuormita työkalua
- Koneen pitäminen ja ohjaaminen ⑰
 - pidä työkalua tukevasti kiinni yhdellä kädellä
 - liikuta työkalua tasaisella vauhdilla puhdistettavaa pintaa pitkin
 - säilytä tukeva työasento
 - pidä työkalu aina riittävän etäällä kehostasi

VINKKEJÄ

- Jotta saavutat parhaan mahdollisen tuloksen, testaa työkalua pienessä osassa puhdistettavaa pintaa varmistaksesi, ettei puhdistaminen vahingoita laatoitusta
- Rikkaruohojen säännöllinen poistaminen auttaa torjumaan sitkeitä rikkaruohoja
- Lisävinkkejä on tarjolla web-osoitteessa www.skil.com

HOITO / HUOLTO

- Tätä työkalua ei ole tarkoitettu ammattikäyttöön
- Pidä työkalu ja johto puhtaina
 - ! **irrota liitosjohto aina puhdistuksen ajaksi pistorasiasta**
 - puhdista ilmanvaihtoraot säännöllisesti pehmeällä liinalla
 - poista säännöllisesti lika leikkuusuojuksesta pehmeällä harjalla
- Säilytys ⑱
 - säilytä työkalu **sisätiloissa** kuivassa ja lukitussa paikassa lasten ulottumattomissa
 - kiinnitä säilytyskisko P tukevasti seinälle 4 ruuvilla (**eivät mukana**) vaakasuoraan asentoon
- Jos sähkötyökalussa, huolellisesta valmistuksesta ja koestusmenettelystä huolimatta esiintyy vikaa, tulee korjaus antaa SKIL sopimushuollon tehtäväksi
 - toimita työkalu sitä osiin **purkamatta** lähimpään SKIL-huoltoon (osoitteet ja työkalun huoltokaava ovat tarjolla web-osoitteessa www.skil.com) ostotodiste mukaan liitettynä

VIANMÄÄRITYS

- Seuraavassa luetellaan ongelmien oireita, mahdollisia syitä ja korjaustoimia (jos ongelma ei selviä ja korjaannu näiden avulla, ota yhteyttä jälleenmyyjään tai huoltoliikkeeseen)
 - ! **sammuta työkalu ja irrota pistoke pistorasiasta ennen ongelman tutkimista**
- ★ Työkalu ei toimi
 - virtalähteen pistorasia viallinen -> käytä toista pistorasiaa
 - jatkojohto viallinen -> vaihda jatkojohto
 - harja kiinnitetty väärin -> kiinnitä harja uudelleen
- ★ Työkalu toimii katkonaisesti
 - sisäiset johdot viallisia -> ota yhteyttä jälleenmyyjään/huoltoliikkeeseen
 - virtakatkaisin viallinen -> ota yhteyttä jälleenmyyjään/huoltoliikkeeseen

- ★ Kaikki rikkaruohot eivät irtoa
- harja viallinen/kulunut -> vaihda harja

YMPÄRISTÖNSUOJELU

- **Älä hävitä sähkötyökalua, tarvikkeita tai pakkausta tavallisen kotilousjätteen mukana** (koskee vain EU-maita)
 - vanhoja sähkö- ja elektroniikkalaitteita koskevan EU-direktiivin 2012/19/EY ja sen maakohtaisten sovellusten mukaisesti käytetyt sähkötyökalut on toimitettava ongelmajätteen keräyspisteeseen ja ohjattava ympäristöstävälliseen kierrätykseen
 - symboli ⑩ muistuttaa tästä, kun käytöstä poisto tulee ajankohtaiseksi

VAATIMUSTEN- MUKAISUUSVAKUUTUS C E

- Vakuutamme yksin vastaavamme siitä, että kohdassa "Tekniset tiedot" selostettu tuote vastaa seuraavia standardeja tai standardoituja asiakirjoja: EN 60335, EN 61000, EN 55014 direktiivien 2006/95/EY, 2004/108/EY, 2006/42/EY, 2000/14/EY, 2011/65/EU määräysten mukaan
- **Tekninen tiedosto kohdasta:** SKIL Europe BV (PT-SEU/ENG1), 4825 BD Breda, NL

Marijn van der Hoofden Olaf Dijkgraaf
Operations & Engineering Approval Manager

SKIL Europe BV, 4825 BD Breda, NL

19.12.2013

CE11

MELU/TÄRINÄ

- Mitattuna EN 60335 mukaan työkalun melutaso on 68 dB(A) ja yleensä työkalun äänen voimakkuus on 88 dB(A) (keskihajonta: 3 dB), ja tärinän voimakkuus 3,2 m/s² (käsi-käsivarsi metodi; epävarmuus K = 1,5 m/s²)
- Mitattuna 2000/14/EY (EN/ISO 3744) mukaan taattu äänenvoimakkuustaso LWA on alle 91 dB(A) (yhteensopivuuden arviointimenetelmä liitteen VI mukaan)
Ilmoitettu tarkastuslaitos: KEMA, Arnhem, NL
Ilmoitetun tarkastuslaitoksen tunnistenumero: 0344
- Tärinäsäteilytaso on mitattu standardin EN 60335 mukaisen standarditestin mukaisesti; sitä voidaan käyttää verrattaessa yhtä laitetta toiseen sekä alustavana tärinälle altistumisen arviona käytettäessä laitetta manituissa käyttötarkoituksissa
 - laitteen käyttö eri käyttötarkoituksiin tai erilaisten tai huonosti ylläpidettyjen lisäaitteiden kanssa voi **lisätä** merkittävästi altistumistasoa
 - laitteen ollessa sammuksissa tai kun se on käynnissä, mutta sillä ei tehdä työtä, altistumistaso voi olla huomattavasti **pienempi**
- ! **suojaudu tärinän vaikutuksilta ylläpitämällä laite ja sen lisävarusteet, pitämällä kädet lämpiminä ja järjestämällä työmenetelmät**

E

Desbrozador

0700

INTRODUCCIÓN

- Esta herramienta se ha diseñado para eliminar las malas hierbas de las terrazas y entre baldosas
- Esta herramienta no está concebida para uso profesional
- Compruebe que el paquete contiene todas las piezas según se ilustra en la figura ②
- Cuando faltan piezas o se dañan, póngase en contacto con su distribuidor
- **Lea este manual de instrucciones cuidadosamente antes de utilizarlo y guárdelo para consultas futuras** ③
- **Preste especialmente atención a las instrucciones y advertencias de seguridad; en caso contrario pueden ocurrir graves lesiones**

DATOS TÉCNICOS ①

ELEMENTOS DE LA HERRAMIENTA ②

- A Protector
- B Rueda
- C Botón de bloqueo del eje
- D Tuerca de la pinza de sujeción
- E Llave
- F Cepillo
- G Indicador del cepillo
- H Casquillo de bloqueo
- J Tubo telescópico
- K Mango
- L Limitación de cable
- M Interruptor de gatillo
- N Ranuras de ventilación
- P Carril de almacenamiento (**tornillos no suministrados**)

SEGURIDAD

INSTRUCCIONES DE SEGURIDAD ESPECÍFICAS PARA DESBROZADORES

GENERAL

- Familiarícese con los controles y con el uso adecuado de la herramienta
- El usuario es responsable de los accidentes o riesgos que sufran otras personas o sus bienes
- Utilice la herramienta exclusivamente cuando la temperatura ambiente se encuentre entre 0°C y 40°C
- No instale nunca elementos metálicos cortantes en esta herramienta
- No utilice la herramienta quitar maleza mojada

SEGURIDAD DE PERSONAS

- Esta herramienta no está pensada para ser utilizada por personas (incluidos niños) con capacidades físicas, sensoriales o mentales disminuidas o falta de experiencia y conocimientos, a menos que estén bajo la supervisión o instrucciones relativas al uso de la herramienta por parte de una persona responsable de su seguridad
- Asegúrese de que los niños no jueguen con la herramienta

- No permita nunca que los niños o las personas no familiarizadas con las instrucciones de funcionamiento utilicen la herramienta
- Utilice siempre protección de ojos, pantalones largos y calzado resistente al manejar la herramienta
- No utilice nunca la herramienta con un protector dañado o sin el protector instalado
- En ningún caso maneje la herramienta en la proximidad inmediata de personas; deje de usar la herramienta mientras se encuentran alrededor personas (especialmente niños) o animales
- No utilice nunca la herramienta si siente cansancio o mareos o si se encuentra bajo los efectos de drogas, alcohol o medicinas

SEGURIDAD ELÉCTRICA

- Compruebe siempre que la tensión de alimentación es la misma que la indicada en la placa de características de la herramienta (las herramientas de 230V o 240V pueden conectarse también a 220V)
- Inspeccione el cable periódicamente y, si estuviera dañado, hágalo cambiar por una persona calificada
- Inspeccione periódicamente el cable de extensión y sustitúyalo si está deteriorado (**los cables de extensión inadecuados pueden ser peligrosos**)
- Utilice únicamente un cable de extensión adecuado para su uso en el exterior y equipado con toma de acoplamiento y enchufe herméticos
- Utilice cables de extensión seguros y completamente desenrollados con una capacidad de 16 amperios
- Al manejar la herramienta en entornos húmedos, utilice un dispositivo de corriente residual (DCR) con una corriente de activación de 30 mA como máximo
- No atropelle ni aplaste el cable (de extensión), ni tire del mismo
- Proteja el cable (de extensión) del calor, el aceite y los bordes afilados
- Mantenga el cable (de prolongación) alejado del cepillo giratorio
- Apague la herramienta y desconecte el enchufe de la fuente de alimentación siempre que el cable de dicha fuente o el cable de alimentación sufran un corte, se dañen o se enreden (**no toque el cable antes de desconectar el enchufe**)

CEPILLOS

- SKIL únicamente puede garantizar un funcionamiento correcto de la herramienta al emplear accesorios originales
- Monte únicamente cepillos cuya velocidad máxima ("RPM") sea mayor que el número de rotaciones por minuto marcado en la herramienta
- Utilice únicamente cepillos con un diámetro máximo de 100 mm
- No utilice cepillos dañados
- Las manchas de óxido y otros indicios de cambios químicos o mecánicos del material que sujeta las cerdas del cepillo puede causar la disfunción prematura del cepillo
- Guarde los cepillos en un lugar adecuado, de modo que estén protegidos de las siguientes influencias:
 - humedad atmosférica elevada, calor, agua u otros fluidos que puedan estropear el cepillo
 - ácidos o vapores de ácidos que puedan estropear el cepillo

- temperaturas ambientales bajas que provoquen condensación en el cepillo si se guarda en un lugar a mayor temperatura ambiente
- deformación de cualquier parte del cepillo

ANTES DEL USO

- Utilice la herramienta sólo con luz diurna o con una iluminación artificial adecuada
- Compruebe el funcionamiento de la herramienta cada vez que vaya a utilizarla y tras haber sufrido cualquier impacto; en el caso de que presentara algún defecto, llévela a una persona cualificada para que la repare (no abra nunca la herramienta)
- Retire las herramientas de ajuste o llaves fijas antes de conectar la herramienta eléctrica (**una herramienta o llave colocada en una pieza rotativa puede producir lesiones graves al accionar la herramienta eléctrica**)
- Antes de su uso, revise exhaustivamente el área de corte y retire cualquier objeto que pudiera ser lanzado por la herramienta durante el corte (como piedras, piezas sueltas de madera, etc.)

DURANTE EL USO

- Utilice la herramienta únicamente en posición vertical, con el cepillo apuntando hacia el suelo (**nunca encienda la herramienta si está en otra posición**)
- Trabaje con la herramienta sólo a ritmo de paseo (no corra)
- No cruce carreteras ni caminos de grava con la herramienta aún en funcionamiento
- No se distraiga y permanezca siempre concentrado en su tarea
- Asegúrese siempre de que las aberturas de ventilación se mantienen libres de restos

DESPUÉS DEL USO

- Después de haber apagado la herramienta, el cepillo continuará girando durante unos instantes (**no toque el cepillo giratorio**)
- Siempre desconecte el enchufe de la fuente de alimentación
 - cuando deje desatendida la herramienta
 - antes de retirar material atascado
 - antes de comprobar o limpiar la herramienta, o de trabajar en ella
 - después del lanzamiento de un objeto extraño
 - cuando la herramienta comienza a vibrar de modo anormal
- Antes de poner la herramienta en el suelo, apague el motor y asegúrese de que todas las piezas móviles están completamente paradas
- Guarde la herramienta **dentro de la casa** en un lugar seco y cerrado con llave, lejos del alcance de los niños

EXPLICACIÓN DE LOS SÍMBOLOS DE LA HERRAMIENTA

- ③ **Advertencia** Lea el manual de instrucciones
- ④ No exponga la herramienta a la lluvia
- ⑤ Utilice gafas de protección y protección para los oídos
- ⑥ **Preste atención al riesgo de lesiones provocadas por la proyección de desechos** (mantenga a los transeúntes a una distancia de seguridad respecto al área de trabajo)
- ⑦ Mantenga las manos y los pies siempre alejados de las piezas giratorias
- ⑧ Apague y desconecte el enchufe antes de realizar tareas de limpieza o mantenimiento o si el cable (de prolongación) se daña o enreda

- ⑨ Doble aislamiento (no requiere cable de tierra)
- ⑩ No deseche la herramienta junta con los residuos domésticos

USO

- Instrucciones de montaje
 - ! **desenchufe siempre antes de montar o desmontar el cepillo**
 - deslice la protección A sobre el alojamiento del motor como se observa en la imagen, hasta que quede en la posición correcta (se oirá un clic) ⑪
 - monte la ruedecilla B sobre el alojamiento del motor como se observa en la imagen, hasta que quede en la posición correcta (se oirá un clic) ⑫
 - oprima el botón del bloqueo del eje C mientras afloja la tuerca de la pinza de sujeción D con la llave E ⑬
 - monte el cepillo F con el centro alienado con el indicador del cepillo G
 - apriete la tuerca de la pinza D con la llave E mientras oprime el botón del bloqueo del eje C
 - ! **cambie el cepillo cuando esté desgastado (número de accesorio de SKIL 2610Z02973)**
- Altura de ajuste ⑭
 - afloje el casquillo de bloqueo H girándolo en sentido horario
 - ! **cuando utilice la herramienta por primera vez, gire el asa K 90° después de aflojar el casquillo de bloqueo H**
 - prolongue el tubo J hasta la altura deseada
 - apriete el casquillo de bloqueo H girándolo en sentido antihorario
 - ! **no fuerce la herramienta al extender o recoger el tubo hasta la altura deseada**
- Limitación de cable ⑮
 - enganche el bucle del cable de extensión sobre la limitación L según figura en la ilustración
 - tire apretando para fijar el cable de extensión
- Encendido/apagado ⑯
 - encienda la herramienta accionando el gatillo M
 - apague la herramienta soltando el gatillo M
 - ! **tras apagar la herramienta, el cepillo continúa girando durante unos segundos**
 - espere a que el cepillo deje de girar antes de encender de nuevo
 - ! **no encienda y apague rápidamente**
- Antes de utilizar la herramienta
 - asegúrese de que el cepillo F ⑬ esté correctamente montado y que la tuerca de la pinza de fijación D ⑬ esté firmemente apretada
 - pruebe la herramienta al dejarla funcionar en una posición segura durante al menos 30 segundos a la máxima velocidad en vacío
 - deténgala inmediatamente en caso de vibraciones considerables u otros defectos, y examine la herramienta para determinar su posible causa
- Desbrozado
 - ! **asegúrese de que no hay piedras, restos ni cualquier otro objeto extraño en el área de corte**
 - procure que la parte inferior de la herramienta se mantenga en una posición nivelada
 - no comience a trabajar hasta que el motor está en marcha
 - comience a trabajar cerca de la toma de red y vaya alejándose a medida que avanza en su labor

- mantenga la herramienta alejada de objetos sólidos y plantas
- no utilice la herramienta en un área demasiado alargada
- no sobrecargue la herramienta
- Sujeción y manejo de la herramienta ⑰
 - sostenga la herramienta firmemente con una mano
 - guíe la herramienta a velocidad constante por la superficie que se va a tratar
 - mantenga una posición de trabajo estable
 - mantenga siempre la herramienta adecuadamente alejada del cuerpo

CONSEJOS DE APLICACIÓN

- Para lograr los mejores resultados, pruebe la herramienta en una pequeña área y compruebe que las baldosas no quedan dañadas
- Un desbrozado periódico ayuda a evitar la presencia de maleza persistente
- Para más consejos vea www.skil.com

MANTENIMIENTO / SERVICIO

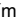
- Esta herramienta no está concebida para uso profesional
- Mantenga limpio el cable eléctrico y la herramienta
 - ! **desenchufar la herramienta antes de limpiar**
 - limpie periódicamente los orificios de ventilación N ② con un paño suave
 - quite la suciedad periódicamente del protector A ② con un cepillo suave
- Almacenamiento ⑱
 - guarde la herramienta **dentro de la casa** en un lugar seco y cerrado con llave, lejos del alcance de los niños
 - instale en la pared el carril de almacenamiento P con 4 tornillos (**no suministrados**), bien sujeto y horizontalmente nivelado
- Si a pesar de los esmerados procesos de fabricación y control, la herramienta llegase a averiarse, la reparación deberá encargarse a un servicio técnico autorizado para herramientas eléctricas SKIL
 - envíe la herramienta **sin desmontar** junto con una prueba de su compra a su distribuidor o a la estación de servicio más cercana de SKIL (los nombres así como el despiece de piezas de la herramienta figuran en www.skil.com)

RESOLUCIÓN DE PROBLEMAS

- El siguiente listado indica síntomas de problemas, causas posibles y acciones correctoras (si no permite la identificación y la corrección del problema, póngase en contacto con su distribuidor o su centro de asistencia)
 - ! **apague la herramienta y desenchúfela antes de investigar el problema**
- ★ La herramienta no funciona
 - toma de alimentación eléctrica averiada -> utilice otra toma
 - cable de extensión dañado -> sustituya el cable de extensión
 - cepillo montado incorrectamente -> vuelva a montar el cepillo
- ★ La herramienta funciona de forma intermitente
 - cableado interno defectuoso -> póngase en contacto con distribuidor/centro de asistencia
 - interruptor de encendido/apagado defectuoso -> póngase en contacto con distribuidor/centro de asistencia

- ★ La maleza no se elimina por completo
 - cepillo dañado/desgastado -> cambie el cepillo

AMBIENTE

- **No deseche las herramientas eléctricas, los accesorios y embalajes junto con los residuos domésticos** (sólo para países de la Unión Europea)
 - de conformidad con la Directiva Europea 2012/19/CE sobre residuos de aparatos eléctricos y electrónicos y su aplicación de acuerdo con la legislación nacional, las herramientas eléctricas cuya vida útil haya llegado a su fin se deberán recoger por separado y trasladar a una planta de reciclaje que cumpla con las exigencias ecológicas
 - símbolo  llamará su atención en caso de necesidad de tirarlas

DECLARACIÓN DE CONFORMIDAD CE

- Declaramos bajo nuestra sola responsabilidad que el producto descrito bajo "Datos técnicos" está en conformidad con las normas o documentos normalizados siguientes: EN 60335, EN 61000, EN 55014 de acuerdo con las disposiciones en las directivas 2006/95/CE, 2004/108/CE, 2006/42/CE, 2000/14/CE, 2011/65/UE
- **Expediente técnico en:** SKIL Europe BV (PT-SEU/ENG1), 4825 BD Breda, NL

Marijn van der Hoofden
Operations & Engineering

Olaf Dijkgraaf
Approval Manager




SKIL Europe BV, 4825 BD Breda, NL

19.12.2013

CE11

RUIDOS/VIBRACIONES

- Medido según EN 60335 el nivel de la presión acústica de esta herramienta se eleva a 68 dB(A) y el nivel de la potencia acústica a 88 dB(A) (desviación estándar: 3 dB), y la vibración a 3,2 m/s² (método brazo-mano; incertidumbre K = 1,5 m/s²)
- Medido según 2000/14/CE (EN/ISO 3744) el nivel de potencia acústica LWA garantizado es inferior a 91 dB(A) (procedimiento para evaluación de la conformidad según anexo VI)
 - Entidad acreditada: KEMA, Arnhem, NL
 - Número de identificación de la entidad acreditada: 0344
- El nivel de emisión de vibraciones ha sido medido según una prueba estándar proporcionada en EN 60335; puede utilizarse para comparar una herramienta con otra y como valoración preliminar de la exposición a las vibraciones al utilizar la herramienta con las aplicaciones mencionadas
 - al utilizarla para distintas aplicaciones o con accesorios diferentes o con un mantenimiento deficiente, podría **augmentar** de forma notable el nivel de exposición
 - en las ocasiones en que se apaga la herramienta o cuando está funcionando pero no está realizando ningún trabajo, se podría **reducir** el nivel de exposición de forma importante

- ! **protéjase contra los efectos de la vibración realizando el mantenimiento de la herramienta y sus accesorios, manteniendo sus manos calientes y organizando sus patrones de trabajo**





P

Escova de ervas

0700

INTRODUÇÃO

- Esta ferramenta foi concebida para retirar ervas de terraços e entre mosaicos
- Esta ferramenta não se destina a utilização profissional
- Verifique se a embalagem contém todas as peças conforme apresentado no desenho 
- Quando faltarem peças ou estiverem danificadas, contacte o revendedor
- **Leia este manual de instruções cuidadosamente antes de utilizar e guarde-o para futura referência** 
- **Dê especial atenção às instruções e avisos de segurança; a não observação das respectivas recomendações poderá resultar em lesões graves**

DADOS TÉCNICOS

ELEMENTOS DA FERRAMENTA

- A Guarda de corte
- B Roda
- C Botão de bloqueio do veio
- D Porca do engate
- E Chave
- F Escova
- G Indicador da escova
- H Manga de fixação
- J Tubo telescópico
- K Pega
- L Limitador do cabo
- M Gatilho
- N Aberturas de ventilação
- P Calha de armazenamento (**parafusos não fornecidos**)

SEGURANÇA

INSTRUÇÕES DE SEGURANÇA ESPECÍFICAS PARA ESCOVAS DE ERVAS

GENERAL

- Familiarize-se com os controles e a utilização adequada da ferramenta
- O utilizador é responsável pelos acidentes ou perigos que ocorram com outras pessoas ou a sua propriedade
- Utilize apenas a ferramenta quando a temperatura estiver entre 0°C e 40°C

- Nunca monte os elementos de corte metálicos nesta ferramenta

• Não utilize a ferramenta para remover erva húmida

SEGURANÇA DE PESSOAS

- Esta ferramenta não deve ser utilizada por pessoas (incluindo crianças) com deficiências físicas, sensoriais ou mentais, ou falta de experiência e conhecimentos, excepto se tiverem supervisão ou receberem instrução relacionada com a utilização da ferramenta por uma pessoa responsável pela sua segurança
- Certifique-se de que as crianças não brincam com a ferramenta
- Nunca deixe crianças ou pessoas não familiarizadas com as instruções de funcionamento utilizarem a ferramenta
- Use sempre protecção dos olhos, calças longas e sapatos fortes quando utilizar a ferramenta
- Nunca utilize a ferramenta com uma guarda de corte danificada ou sem a guarda de corte montada
- Nunca utilize a ferramenta junto a pessoas; pare de utilizar a ferramenta enquanto as pessoas (especialmente as crianças) ou os animais estiverem nas redondezas
- Nunca utilize a ferramenta quando estiver cansado, doente ou debaixo da influência de drogas, álcool ou medicamentos

SEGURANÇA ELÉCTRICA

- Certifique-se sempre de que a tensão de alimentação está de acordo com a tensão indicada na placa de identificação da ferramenta (ferramentas com a indicação de 230V ou 240V também podem ser ligadas a uma fonte de 220V)
- Inspeccione periodicamente o fio e mandando-o substituir por pessoal qualificado, se elo estiver danificado
- Inspeccione o cabo de extensão periodicamente e substitua-o, se danificado (**os cabos de extensão inadequados podem ser perigosos**)
- Utilize apenas um cabo de inspecção destinado a utilização exterior e equipado com uma ficha impermeável e uma união de tomada
- Utilize extensões completamente desenroladas e seguras, com uma capacidade de 16 Amp
- Quando operar a ferramenta em ambientes húmidos, utilize um dispositivo de corrente residual (RCD) com uma corrente de accionamento de 30 mA no máximo
- Não passe por cima, esmague ou puxe o cabo (extensão)
- Proteja o cabo (extensão) de fontes de calor, de óleo e de arestas aguçadas
- Mantenha o cabo (extensão) afastado da escova rotativa
- Desligue sempre a ferramenta e retire a ficha da fonte de alimentação se o cabo de alimentação ou o cabo de extensão estiver cortado, danificado ou emaranhado (**não toque no cabo antes de desligar a ficha**)

ESCOVAS

- A SKIL só pode garantir um funcionamento perfeito da ferramenta, quando utilizada com os acessórios originais
- Apenas monte escovas cuja velocidade máxima ("RPM") seja mais elevada que as rotações por minutos marcadas na ferramenta
- Utilize apenas escovas com um diâmetro máximo de 100 mm
- Não utilize escovas gastas
- As manchas de ferrugem ou outros sinais de alterações químicas ou mecânicas no material que suporta a rosca da escova podem provocar avarias prematuras na escova

- Guarde as escovas num local adequado de forma a que fiquem protegidas contra as seguintes influências:

- elevada humidade atmosférica, calor, água ou outros fluidos que possam danificar a escova
- ácidos ou vapores de ácidos, que possam danificar a escova
- temperaturas ambiente baixas que provoquem condensação na escova quando guardada numa área com temperaturas ambiente mais elevadas
- qualquer deformação da escova

ANTES DA UTILIZAÇÃO

- Utilize a ferramenta apenas de dia ou com a iluminação artificial adequada
- Verifique o funcionamento da ferramenta antes de cada utilização e após qualquer impacto; em caso de avaria, leve-a a uma pessoa qualificada para reparação (nunca abra você mesmo a ferramenta)
- Remover chaves de ajustes ou chaves de fenda, antes de ligar a ferramenta eléctrica (**uma chave de fenda ou chave de ajuste que se encontre numa parte móvel do aparelho, pode levar a lesões**)
- Antes de utilizar, inspeccione cuidadosamente a área de corte e retire qualquer objecto que a ferramenta possa apanhar durante o corte (como, por exemplo, pedras, pedaços soltos de madeira, etc.)

DURANTE A UTILIZAÇÃO

- Utilize apenas a ferramenta numa posição vertical, com a escova a apontar para o chão (**nunca ligue a ferramenta noutra posição**)
- Opere a ferramenta apenas com uma marcha normal (não corra)
- Não atravesse estradas ou caminhas de gralva com a ferramenta em funcionamento
- Não se distraia e concentre-se sempre no que está a fazer
- Certifique-se sempre de que as aberturas de ventilação não têm resíduos

APÓS A UTILIZAÇÃO

- A escova continua a rodar durante um curto período de tempo depois de desligar a ferramenta (**não toque na escova rotativa**)
- Desligue sempre da fonte de alimentação
 - quando deixar a ferramenta sem vigilância
 - antes de retirar material encravado
 - antes de verificar, limpar ou trabalhar na ferramenta
 - depois de bater num objecto estranho
 - sempre que a ferramenta começar a vibrar anormalmente
- Antes de descansar a ferramenta, desligue o motor e certifique-se de que todas as peças rotativas estão paradas
- Guarde a ferramenta **no interior** num local seco e seguro, fora do alcance das crianças

EXPLICAÇÃO DOS SÍMBOLOS DA FERRAMENTA

- ③ Aviso! Leia o manual de instruções
- ④ Não exponha a ferramenta à chuva
- ⑤ Use óculos de protecção e protectores para os ouvidos
- ⑥ **Tenha atenção ao risco de lesão provocado pelos resíduos móveis** (mantenha as pessoas a uma distância segura da área de trabalho)
- ⑦ Mantenha sempre as mãos e os pés afastados das peças rotativas
- ⑧ Desligue e retire a ficha antes da limpeza/manutenção ou se o cabo (extensão) estiver danificado ou emaranhado

⑨ Isolamento duplo (nenhum fio de terra necessário)

⑩ Não deite a ferramenta no lixo doméstico

MANUSEAMENTO

- Instruções de montagem
 - ! **desligue a ficha antes de montar/retirar a escova**
 - deslize a guarda A sobre a caixa do motor conforme ilustrado até encaixar no lugar ⑪
 - monte a roda B na caixa do motor conforme ilustrado até encaixar no lugar ⑫
 - prima o botão de bloqueio do eixo C e segure-o enquanto desaperta a porca do engate D com a chave E ⑬
 - monte a escova F com o centro em linha com o indicador da escova G
 - aperte a porca de engate D com a chave E enquanto empurra o botão de bloqueio do eixo C
 - ! **substitua a escova quando estiver gasta (número de acessório da SKIL 2610Z02973)**
- Ajuste de altura ⑭
 - desaperte a manga de fixação H, rodando-a para a direita
 - ! **quando utilizar a ferramenta pela primeira vez, rode o manípulo K 90° depois de desapertar o casquilho de bloqueio H**
 - abra o tubo J até à altura pretendida
 - aperte a manga de fixação H, rodando-a para a esquerda
 - ! **não force a ferramenta quando abrir/recolher o tubo para a altura pretendida**
- Limitador do cabo ⑮
 - pendure a volta do cabo de extensão sobre o limitador L conforme ilustrado
 - puxe para ficar o cabo de extensão
- Ligar/desligar ⑯
 - ligue a ferramenta premindo o gatilho M
 - desligue a ferramenta soltando o gatilho M
 - ! **depois de desligar a ferramenta, a escova continua a rodar durante alguns segundos**
 - permite que a escova pare de rodar antes de voltar a ligar
 - ! **não ligue e desligue rapidamente**
- Antes de utilizar a ferramenta
 - certifique-se de que a escova F ⑬ está correctamente montada e a porca de engate D ⑬ está correctamente apertada
 - ligue a ferramenta em vazio durante pelo menos 30 segundos na rotação máxima e numa posição de segurança
 - desligue imediatamente a ferramenta em caso de vibração excessiva ou outros defeitos de funcionamento, e verifique a causa do sucedido
- Retirar erva
 - ! **certifique-se de que a área de corte não tem pedras, resíduos e outros objectos estranhos**
 - certifique-se de que o lado inferior da ferramenta é mantida numa posição nivelada
 - comece a trabalhar apenas quando o motor estiver em funcionamento
 - comece a trabalhar junto à tomada e afaste-se durante o trabalho
 - mantenha a ferramenta afastada de objectos sólidos e plantas
 - não utilize a ferramenta num local muito comprido
 - não sobrecarregue a ferramenta

- Segurar e guiar a ferramenta ⑰
 - segure a ferramenta com uma mão
 - oriente a ferramenta a uma velocidade constante sobre a superfície a trabalhar
 - mantenha uma posição de trabalho estável
 - mantenha sempre a ferramenta afastada do corpo

CONSELHOS DE APLICAÇÃO

- Para obter os melhores resultados, teste a ferramenta numa pequena parte da superfície e verifique se está a danificar os mosaicos
- A limpeza regular das ervas ajuda a evitar a erva persistente
- Para mais sugestões consulte www.skil.com


MANUTENÇÃO / SERVIÇO

- Esta ferramenta não se destina a utilização profissional
- Mantenha a ferramenta e o fio sempre limpos
 - ! **desligar a ferramenta da fonte de corrente antes de limpar**
 - limpe regularmente as aberturas de ventilação N ② com um pano suave
 - retire regularmente a sujidade da guarda de corte A ② com uma escova suave
- Armazenamento ⑱
 - guarde a ferramenta **no interior** num local seco e seguro, fora do alcance das crianças
 - monte a calha de armazenamento P na parede com 4 parafusos (**não fornecidos**) e nivelada na horizontal
- Se a ferramenta falhar apesar de cuidadosos processos de fabricação e de teste, a reparação deverá ser executada por uma oficina de serviço autorizada para ferramentas eléctricas SKIL
 - envie a ferramenta **sem desmontar**, juntamente com a prova de compra, para o seu revendedor ou para o centro de assistência SKIL mais próximo (os endereços assim como a mapa de peças da ferramenta estão mencionados no www.skil.com)

RESOLUÇÃO DE PROBLEMAS

- A lista seguinte mostra os sintomas dos problemas, causas possíveis e acções correctivas (se estas não identificarem e corrigirem o problema, contacte o revendedor ou o centro de assistência técnica)
 - ! **desligue a ferramenta e desligue a ficha antes de investigar o problema**
- ★ A ferramenta não funciona
 - tomada eléctrica avariada -> utilize outra tomada
 - cabo de extensão danificado -> substitua o cabo de extensão
 - escova montada incorrectamente -> volte a montar a escova
- ★ A ferramenta funciona intermitentemente
 - instalação interna defeituosa -> contacte o revendedor/centro de assistência técnica
 - interruptor de ligar/desligar defeituoso -> contacte o revendedor/centro de assistência técnica
- ★ A erva não é retirada completamente
 - escova danificada/gasta -> substitua a escova

AMBIENTE

- **Não deite ferramentas eléctricas, acessórios e embalagem no lixo doméstico** (apenas para países da UE)
 - de acordo com a directiva europeia 2012/19/CE sobre ferramentas eléctricas e electrónicas usadas e a transposição para as leis nacionais, as ferramentas eléctricas usadas devem ser recolhidas em separado e encaminhadas a uma instalação de reciclagem dos materiais ecológica
 - símbolo  lhe avisará em caso de necessidade de arranjar-las

DECLARAÇÃO DE CONFORMIDADE CE

- Declaramos sob nossa exclusiva responsabilidade que o produto descrito em "Dados técnicos" cumpre as seguintes normas ou documentos normativos: EN 60335, EN 61000, EN 55014 conforme as disposições das directivas 2006/95/CE, 2004/108/CE, 2006/42/CE, 2000/14/CE, 2011/65/UE
- **Processo técnico em:** SKIL Europe BV (PT-SEU/ENG1), 4825 BD Breda, NL

Marijn van der Hoofden
Operations & Engineering

Olaf Dijkgraaf
Approval Manager

SKIL Europe BV, 4825 BD Breda, NL

19.12.2013

CE11

RUÍDO/VIBRAÇÕES



- Medido segundo EN 60335 o nível de pressão acústica desta ferramenta é 68 dB(A) e o nível de potência acústica 88 dB(A) (espaço de erro: 3 dB), e a vibração 3,2 m/s² (método braço-mão; incerteza K = 1,5 m/s²)
 - Medido segundo 2000/14/CE (EN/ISO 3744) o nível de potência acústica garantido é inferior a 91 dB(A) (processo de avaliação da conformidade de acordo com o anexo VI)
Organismo notificado: KEMA, Arnhem, NL
Número de identificação do organismo notificado: 0344
 - O nível de emissão de vibrações foi medido de acordo com um teste normalizado fornecido na EN 60335; pode ser utilizado para comparar uma ferramenta com outra e como uma avaliação preliminar de exposição à vibração quando utilizar a ferramenta para as aplicações mencionadas
 - utilizar a ferramenta para diferentes aplicações ou com acessórios diferentes ou mantidos deficientemente, pode **umentar** significativamente o nível de exposição
 - o número de vezes que a ferramenta é desligada ou quando estiver a trabalhar sem fazer nada, pode **reduzir** significativamente o nível de exposição
- ! proteja-se contra os efeitos da vibração, mantendo a ferramenta e os acessórios, mantendo as mãos quentes e organizando os padrões de trabalho**

I

Spazzola raccoglierbacce

0700

INTRODUZIONE

- Questo utensile è stato progettato per rimuovere erbacce sui terrazzi e tra le piastrelle
- Questo utensile non è inteso per un uso professionale
- Verificare che l'imballo contenga tutte le parti illustrate sul disegno 
- In caso di parti mancanti o danneggiate, contattare il proprio rivenditore
- **Leggere attentamente questo manuale di istruzioni prima dell'impiego, e conservarlo per future consultazioni** 
- **Prestare particolare attenzione alle istruzioni di sicurezza ed alle avvertenze; la mancata osservanza potrebbe causare serie lesioni**

DATI TECNICI

ELEMENTI UTENSILE

- A** Protezione di taglio
- B** Ruota
- C** Tasto di bloccaggio dell'albero
- D** Dado colletto
- E** Chiave
- F** Spazzola
- G** Indicatore della spazzola
- H** Bussola di bloccaggio
- J** Tubo telescopico
- K** Impugnatura
- L** Reggicavo
- M** Grilletto
- N** Feritoie di ventilazione
- P** Supporto per utensile (**viti non fornite**)

SICUREZZA

ISTRUZIONI DI SICUREZZA SPECIFICHE PER SPAZZOLE RACCOGLIERBACCE

NOTE GENERALI

- Familiarizzare con i controlli e l'uso corretto dell'utensile
- L'utente è responsabile per incidenti o pericoli causati ad altre persone o a proprietà di queste ultime
- Usare l'utensile solo quando la temperatura ambiente è tra 0°C e 40°C
- Non montare elementi di taglio in metallo su quest'utensile
- Non usare l'utensile per rimuovere erbacce bagnate

SICUREZZA DELLE PERSONE

- Questo utensile non deve essere usato da persone (compresi i bambini) con ridotte capacità fisiche, sensoriali e mentali o con scarsa esperienza e conoscenza specifiche, a meno che le stesse non operino sotto la supervisione di una persona responsabile della loro sicurezza o siano state da essa istruite sull'utilizzo dell'utensile
- Assicurarsi che i bambini non giochino con l'utensile
- Non lasciare mai che bambini o persone, che non conoscono le istruzioni d'uso, usino l'utensile

- Indossare sempre una protezione per gli occhi, pantaloni lunghi e scarpe robuste quando si usa l'utensile
- Non usare mai l'utensile con la protezione di taglio danneggiata o senza quest'ultima.
- Non usare mai l'utensile in prossimità di persone; interrompere l'uso quando persone (particolarmente bambini) o animali si trovano in prossimità
- Non usare mai l'utensile quando si è stanchi, malati o sotto l'influenza di alcool o medicinali

SICUREZZA ELETTRICA

- Controllare che la tensione dell'alimentazione sia la stessa di quella indicata sulla targhetta dell'utensile (gli utensili con l'indicazione di 230V o 240V possono essere collegati anche alla rete di 220V)
- Esaminare il cavo periodicamente e, se danneggiato, farlo sostituire da personale qualificato
- Esaminare il cavo di prolunga periodicamente e, se danneggiato, sostituirlo (**cavi di prolunga inadeguati possono essere pericolosi**)
- Usare solamente una prolunga per un uso all'esterno e munita di presa e spina a prova di spruzzo
- Usare cavi di prolunga completamente srotolati e sicure con una capacità di 16 Amp
- In ambienti umidi usare un dispositivo per corrente residua (RCD) con una corrente di scatto di massimo 30 mA
- Non passare sopra, schiacciare o tirare il cavo (di prolunga)
- Proteggere il cavo (di prolunga) dal calore, dall'olio e da bordi taglienti
- Tenere il cavo (di prolunga) sempre lontano dalla spazzola in movimento
- Spegnerne sempre l'utensile e disinserire la spina dalla presa di corrente, se il cavo d'alimentazione o il cavo di prolunga è tagliato, danneggiato o impigliato (**non toccare il cavo prima di disinserire la spina**)

SPAZZOLE

- La SKIL garantisce un perfetto funzionamento dell'utensile soltanto se vengono utilizzati accessori originali
- Montare solo delle spazzole con una velocità massima ("RPM") superiore al numero di giri al minuto indicato sull'utensile
- Usare solamente spazzole con un diametro massimo di 100 mm
- Non utilizzare spazzole usurate
- Macchie di ruggine o altri segni di mutamento chimico o meccanico del materiale che supporta i fili della spazzola potrebbero causare un malfunzionamento prematuro della spazzola stessa
- Conservare le spazzole in un luogo adatto in modo che siano protette dalle seguenti influenze:
 - umidità atmosferica elevata, calore, acqua o altri liquidi che potrebbero danneggiare la spazzola
 - acidi o vapori acidi, che potrebbero danneggiare la spazzola
 - temperature ambiente basse che causano condensa sulla spazzola se conservata in un'area con temperature ambiente più elevate
 - deformazione di qualsiasi parte della spazzola

PRIMA DELL'USO

- Usare l'utensile solo con luce diurna o sufficiente luce artificiale
- Controllare il funzionamento dell'utensile ogni volta prima di usarlo e dopo un impatto; in caso di difetti, farlo riparare immediatamente da una persona qualificata (non aprire mai l'utensile)

- Togliere gli attrezzi di regolazione o la chiave inglese prima di accendere l'utensile (**un utensile o una chiave inglese che si trovino in una parte dell'utensile in rotazione potranno causare lesioni**)
- Prima dell'uso esaminare attentamente l'area da tagliare e rimuovere oggetti estranei che potrebbero essere proiettati durante l'uso (p.es. sassi, pezzi di legno ecc.)

DURANTE L'USO

- Usare l'utensile solo in posizione verticale, con la spazzola che punta verso il basso (**non accendere mai l'utensile quando si trova in un'altra posizione**)
- Usare l'utensile solo a passo d'uomo (non correre)
- Non attraversare strade o stradine di ghiaia con l'utensile acceso
- Non distrarsi e rimanere sempre concentrati su ciò che si sta facendo
- Mantenere sempre le aperture di ventilazione libere da detriti

DOPO L'USO

- La spazzola continua a ruotare per un certo tempo dopo che l'utensile è stato spento (**non toccare la spazzola in movimento**)
- Disinserire sempre la spina dalla presa di corrente
 - quando si lascia l'utensile incustodito
 - prima di rimuovere materiale incastrato
 - controllare, pulire o effettuare lavori sull'utensile
 - dopo un contatto con un oggetto estraneo
 - quando l'utensile si avvia con vibrazioni anomale
- Prima di riporre l'utensile, spegnere il motore ed assicurarsi che tutte le parti in movimento si siano arrestate completamente
- Conservare l'utensile **all'interno** in un posto asciutto e chiuso a chiave, distante dalla portata dei bambini

SPIEGAZIONE DEI SIMBOLI PRESENTI

SULL'UTENSILE

- ③ **Avvertenza!** Leggere il manuale di istruzioni
- ④ Non esporre l'utensile alla pioggia
- ⑤ Portare occhiali di protezione e protezione dell'udito
- ⑥ **Prestare attenzione al rischio di lesioni provocate da detriti proiettati** (mantenere spettatori a distanza di sicurezza dall'area di lavoro)
- ⑦ Tenere sempre mani e piedi lontani dalle parti in movimento
- ⑧ Spegnerne e disinserire la spina prima di pulire/fare la manutenzione o se il cavo (di prolunga) è danneggiato o impigliato
- ⑨ Doppio isolamento (non è necessario alcun cavo di terra)
- ⑩ Non gettare l'utensile tra i rifiuti domestici

USO

- Istruzioni di montaggio
 - ! **estrarre sempre la spina prima di montare/smontare la spazzola**
 - far scorrere la protezione A sulla scatola del motore come illustrato, finché non si blocca a scatto ⑪
 - montare la rotella B sulla scatola del motore come illustrato, finché non si blocca a scatto ⑫
 - premere il tasto di bloccaggio dell'albero C e mantenerlo in posizione mentre si stringe il dado del colletto D con la chiave E ⑬
 - montare la spazzola F con il suo centro in linea con l'indicatore della spazzola G

- serrare il dado del colletto D con la chiave E mentre si spinge il tasto di bloccaggio dell'albero C
- ! **sostituire la spazzola quando è usurata (numero accessorio SKIL 2610Z02973)**
- Regolazione dell'altezza ⑭
 - allentare la bussola di bloccaggio H girandola in senso orario
 - ! **se si usa l'utensile per la prima volta, ruotare la maniglia K di 90° dopo aver allentato la bussola di bloccaggio H**
 - allungare il tubo J all'altezza desiderata
 - fissare la bussola di bloccaggio H girandola in senso antiorario
 - ! **non sforzare l'utensile quando si estende/riduce il tubo all'altezza desiderata**
- Reggicavo ⑮
 - agganciare l'asola del cavo di prolunga al reggicavo L come indicato nell'illustrazione
 - tirare per fissare il cavo di prolunga
- Acceso/spento ⑯
 - accendete l'utensile premendo il grilletto M
 - spegnete l'utensile rilasciando il grilletto M
 - ! **dopo aver spento l'utensile, la spazzola continua a muoversi per qualche secondo**
 - aspettare che la spazzola smetta di ruotare, prima di riaccendere
 - ! **non spegnere e accendere in successione rapida**
- Prima di utilizzare l'utensile
 - assicurarsi che la spazzola F ⑬ sia montata correttamente e che il dado del colletto D ⑬ sia serrato saldamente
 - fare girare a vuoto l'utensile per almeno 30 secondi alla velocità massima in una posizione sicura
 - arrestare immediatamente in caso di forti vibrazioni o altri difetti e cercare di determinare la causa
- Rimozione delle erbacce
 - ! **assicurarsi che l'area di taglio sia libera da sassi, detriti e altri oggetti estranei**
 - assicurarsi che il lato inferiore dell'utensile venga mantenuto in posizione piana
 - iniziare a lavorare solo quando l'utensile è in funzione
 - iniziare a spazzolare vicino alla presa di corrente e allontanarsi mentre si procede con il lavoro
 - tenere l'utensile lontano da oggetti solidi e piante
 - non usare l'utensile per troppo tempo nello stesso punto
 - non sovraccaricare l'utensile
- Tenuta e guida dell'utensile ⑰
 - tenere l'utensile saldamente con una mano
 - guidare l'utensile a velocità costante sulla superficie da pulire
 - mantenere una posizione di lavoro stabile
 - tenere sempre l'utensile lontano da se

CONSIGLIO PRATICO

- Per un risultato ottimale, passare l'utensile su una piccola parte della superficie e controllare che le piastrelle non vengano danneggiate
- La rimozione regolare delle erbacce aiuta ad prevenire la crescita di erbacce persistenti
- Per altri consigli consultare il sito www.skil.com

MANUTENZIONE / ASSISTENZA

- Questo utensile non è inteso per un uso professionale
- Tenete sempre puliti utensile e cavo
 - ! **prima di pulire estrarre la spina dalla presa**
 - pulire regolarmente le fessure di ventilazione N ② con un panno morbido
 - rimuovere regolarmente lo sporco dalla protezione di taglio A ② con una spazzola morbida
- Stoccaggio del tagliasiepe ⑱
 - conservare l'utensile **all'interno** in un posto asciutto e chiuso a chiave, distante dalla portata dei bambini
 - montare il supporto per utensile P in modo sicuro e orizzontale sul muro utilizzando 4 viti (**non fornite**)
- Se nonostante gli accurati procedimenti di produzione e di controllo l'utensile dovesse guastarsi, la riparazione va fatta effettuare da un punto di assistenza autorizzato per gli elettrotensili SKIL
 - inviare l'utensile **non smontato** assieme alle prove di acquisto al rivenditore oppure al più vicino centro assistenza SKIL (l'indirizzo ed il disegno delle parti di ricambio dell'utensile sono riportati su www.skil.com)

RISOLUZIONE DI PROBLEMI

- La seguente lista elenca sintomi di problemi, possibili cause e misure correttive (se il proprio problema non è identificato e non è possibile correggerlo, si prega di contattare il proprio rivenditore o centro assistenza)
 - ! **spegner l'utensile ed estrarre la spina dalla presa di corrente prima di cercare di risolvere il problema**
- ★ L'utensile non funziona
 - presa di corrente difettosa -> usare un'altra presa
 - cavo di prolunga danneggiato -> sostituire il cavo di prolunga
 - spazzola montata in modo errato -> rimontare la spazzola
- ★ L'utensile funziona a intermittenza
 - cavi interni difettosi -> contattare il rivenditore/centro di assistenza
 - interruttore on/off difettoso -> contattare il rivenditore/centro di assistenza
- ★ Le erbacce non vengono rimosse completamente
 - spazzola danneggiata/usurata -> sostituire la spazzola

TUTELA DELL'AMBIENTE

- **Non gettare l'utensile elettrico, gli accessori e l'imballaggio tra i rifiuti domestici** (solo per paesi UE)
 - secondo la Direttiva Europea 2012/19/CE sui rifiuti di utensili elettrici ed elettronici e la sua attuazione in conformità alle norme nazionali, gli utensili elettrici esausti devono essere raccolti separatamente, al fine di essere reimpiegati in modo eco-compatibile
 - il simbolo ⑩ vi ricorderà questo fatto quando dovrete eliminarle

DICHIARAZIONE DEI CONFORMITÀ CE

- Assumendone la piena responsabilità, dichiariamo che il prodotto descritto nei "Dati tecnici" è conforme alle seguenti normative ed ai relativi documenti: EN 60335, EN 61000, EN 55014 in base alle prescrizioni delle direttive 2006/95/EG, 2004/108/EG, 2006/42/EG, 2000/14/EG, 2011/65/UE

- **Fascicolo tecnico presso:** SKIL Europe BV (PT-SEU/ENG1), 4825 BD Breda, NL

Marijn van der Hoofden
Operations & Engineering

Olaf Dijkgraaf
Approval Manager

SKIL Europe BV, 4825 BD Breda, NL

19.12.2013

CE11

RUMOROSITÀ/VIBRAZIONE

- Misurato in conformità al EN 60335 il livello di pressione acustica di questo utensile è 68 dB(A) ed il livello di potenza acustica 88 dB(A) (deviazione standard: 3 dB), e la vibrazione 3,2 m/s² (metodo mano-braccio; incertezza K = 1,5 m/s²)
- Misurato secondo 2000/14/EG (EN/ISO 3744) il livello di potenza acustica garantito LWA è inferiore a 91 dB(A) (procedimento di valutazione della conformità secondo appendice VI)
Organismo notificato: KEMA, Arnhem, NL
Numero identificativo dell'Organismo notificato: 0344
- Il livello di emissione delle vibrazioni è stato misurato in conformità a un test standardizzato stabilito dalla norma EN 60335; questo valore può essere utilizzato per mettere a confronto un l'utensile con un altro o come valutazione preliminare di esposizione alla vibrazione quando si impiega l'utensile per le applicazioni menzionate
 - se si utilizza l'utensile per applicazioni diverse, oppure con accessori differenti o in scarse condizioni, il livello di esposizione potrebbe **umentare** notevolmente
 - i momenti in cui l'utensile è spento oppure è in funzione ma non viene effettivamente utilizzato per il lavoro, possono contribuire a **ridurre** il livello di esposizione

! **proteggersi dagli effetti della vibrazione effettuando la manutenzione dell'utensile e dei relativi accessori, mantenendo le mani calde e organizzando i metodi di lavoro**

H

Gyomkefe

0700

BEVEZETÉS

- Az eszköz a gyomok teraszokról és járólapok közül történő eltávolítására szolgál
- A szerszám nem professzionális használatra készült
- Ellenőrizze, hogy a csomag tartalmazza-e az ábrán látható összes alkatrészt ②
- Hiányzó vagy sérült alkatrész esetén forduljon a kereskedőhöz
- **A használat előtt gondosan olvassa el ezt a kézikönyvet és tartsa meg, hogy később is használhassa** ③
- **Kísérje különös figyelemmel a biztonsági utasításokat és figyelmeztetéseket; ennek elmulasztása súlyos sérülést okozhat**

MŰSZAKI ADATOK ①

SZERSZÁMGÉP ELEMEI ②

- A Védőburkolat
- B Kerék
- C Elfordulás elleni gomb
- D A befogópatron anyája
- E Kulcs
- F Kefe
- G Kefe jelző
- H Reteszelő hüvely
- J Teleszkópos cső
- K Markolat
- L Tápkábel rögzítő horog
- M Indítókapcsoló
- N Szellőzőnyílások
- P Tároló sín (csavar nélküli)

BIZTONSÁG

SPECIFIKUS BIZTONSÁGI ELŐÍRÁSOK GYOMKEFÉKHEZ

ÁLTALÁNOS TUDNIVALÓK

- Ismerkedjen meg tüzetesen a kezelőszervekkel és a gép megfelelő használatával
- A balesetekért vagy másokat, illetve anyagi javakat érintő károkért, sérülésekért a felhasználó a felelős
- Csak akkor használja a készüléket, ha a környezeti hőmérséklet 0°C és 40°C között van
- Soha ne szereljen fém vágóelemeket a készülékre
- Ne használja a szerszámot nedves gyom eltávolítására

SZEMÉLYI BIZTONSÁGI ELŐÍRÁSOK

- Ezt a szerszámot nem terveztek hiányos fizikai, szenzoriális vagy értelmi képességekkel rendelkező személyek (beleértve a gyerekeket), illetve tudással és tapasztalattal nem rendelkező személyek által történő használatra, hacsak ezen személyek számára nem biztosítanak a szerszám használatára vonatkozó kiképzést, illetőleg felügyeletet, egy erre megbízott, a biztonságukért felelős személy által
- Zárja ki annak lehetőségét, hogy a gyerekek játszhatnak a szerszámmal
- A készüléket ne használják gyerekek vagy olyan személyek, akik nem ismerik a használatát
- A gép használatakor viseljen védőszemüveget, hosszú nadrágot és erős lábbelit
- Ne működtesse a készüléket, ha a védőburkolat sérült vagy ha a védőburkolat nincs felszerelve
- Ne működtesse a készüléket emberek közvetlen közelében; ne használja a készüléket, ha emberek (főleg gyerekek) vagy állatok tartózkodnak a közelben
- Ne működtesse a készüléket, ha Ön fáradt, beteg, illetve kábítószert, alkohol vagy gyógyszerek hatása alatt áll

ELEKTROMOS BIZTONSÁGI ELŐÍRÁSOK

- Mindig ellenőrizze, hogy a hálózati feszültség megegyezik-e a gép adattábláján feltüntetett értékkel (a 230V vagy 240V jelzésű gépek 220V feszültségre is csatlakoztathatók)
- Rendszeresen vizsgálja meg a kábelt, és cseréltesse ki szakértő által ha sérült

- Vizsgálja meg rendszeresen a hosszabbítót, és cserélje ki, ha megsérült **(a hibás hosszabbító veszélyes lehet)**
- Csakis kültéri használatra gyártott hosszabbító kábelt használjon, amely víz ellen védett dugasszal és dugaszolóaljzattal rendelkezik
- Használjon teljesben letekert és biztonságos hosszabbítókábelt, 16 A-es teljesítménnyel
- A szerszám nedves környezetben történő használata esetén használjon maximum 30 mA kioldási határértékű FI relét
- Ne terhelje túl, ne zúzza össze és ne húzza a (hosszabbító) vezetékét
- Tartsa távol a (hosszabbító) vezetékét hőtől, olajtól és éles peremektől
- Tartsa távol a (hosszabbító) kábelt a forgó keféőtől
- Mindig kapcsolja le a gépet és húzza ki a tápcsatlakozó dugaszt a tápforrásból, ha a tápvezeték vagy hosszabbító elszakadt, megsérült vagy összegabalyodott **(ne érjen a tápkábelhez, amíg a dugaszt ki nem húzta)**

KEFÉK

- SKIL cég kizárólag eredeti alkatrészek és kiegészítők alkalmazása esetén tudja garantálni a gép problémamentes működését
- Csak olyan keféet szereljen fel, aminek a megengedett maximális fordulatszáma ("RPM") magasabb, mint a szerszámon jelzett percenkénti fordulatszám
- Maximum 100 mm átmérőjű keféet használjon
- Ne használjon kopott keféet
- A rozsdafoltok, valamint a kefe szálait tartó anyag kémiai vagy mechanikai változásai miatt előfordulhat a kefe idő előtti működésképtelenné válása
- Tárolja a keféket megfelelő helyen úgy, hogy mentesüljenek az alábbi hatásoktól:
 - magas légnedvesség, hő, víz, vagy a keféet károsítani képes egyéb folyadékok
 - a keféet károsítani képes savak, savgőzök
 - alacsony környezeti hőmérsékletek, amik a kefének páralecsapódást idéznek elő, ha magasabb hőmérsékleten tárolták
 - deformáció a kefe bármelyik részén

HASZNÁLAT ELŐTT

- A szerszámot csak napfénynél vagy kellő mesterséges megvilágítás mellett használja
- Minden használat előtt és minden ütközés után ellenőrizze, hogy helyesen működik-e a készülék, és amennyiben meghibásodást észlel, azonnal forduljon szakképzett szerelőhöz (Őn soha ne nyissa ki a készüléket)
- Az elektromos kéziszerszám bekapcsolása előtt okvetlenül távolítsa el a beállító szerszámokat vagy csavarkulcsokat **(az elektromos kéziszerszám forgó részeiben fejtett beállító szerszám vagy csavarkulcs sérüléseket okozhat)**
- Használat előtt alaposan ellenőrizze a lenyírandó területet, és távolítsa el azokat az akadályokat, amelyekbe a készülék munka közben beakadhat (például kövek, laza fadarabok stb.)

HASZNÁLAT KÖZBEN

- A szerszámot csak függőlegesen helyzetben használja, a kefe nézzen a talaj felé **(ne kapcsolja be a szerszámot más pozícióban)**
- A gépet gyalogló sebességgel működtesse (ne szaladjon)
- Működésben lévő készülékkel nem haladjon át úttesten vagy kavicsos ösvényeken

- Vigyázzon, hogy ne terelődjön el a figyelme, és mindig arra összpontosítson, amit csinál
- Mindig biztosítsa a szellőzőnyílások tisztaságát

A HASZNÁLATOT KÖVETŐEN

- A kefe a készülék kikapcsolása után egy rövid ideig még tovább forog **(ne érintse meg a forgó keféet)**
- Mindig húzza ki a tápkábel dugaszát a tápcsatlakozó aljzatról
 - ha a gépet őrizetlenül hagyja
 - mielőtt az elakadt anyag eltávolításába kezd
 - mielőtt a gép ellenőrzésébe, tisztításába vagy rajta végzendő egyéb tevékenységbe kezd
 - ha egy idegen tárgyba ütközött
 - ha a gép rendellenesen vibrálni kezd
- Mielőtt letezi a gépet, kapcsolja ki a motort és bizonyosodjon meg arról, hogy minden mozgó alkatrész teljesen megállt
- A szerszám **beltéri** száraz és zárt helyen tárolja, ahol gyermekek nem férhetnek hozzá

A SZERSZÁMON TALÁLHATÓ SZIMBÓLUMOK MAGYARÁZATA

- 3 **Figyelmeztetés!** Olvassa el a felhasználói kézikönyvet
- 4 A gépet óvja a nedvességtől, különösen esőtől
- 5 Viseljen védőszemüveget és zaj elleni fülvédőt
- 6 **Ügyeljen a szálló hulladékok okozta sérüléveszélyre** (tartsa távol a közelben állókat a munkaterülettől)
- 7 Tartsa távol kezét és lábát a forgó alkatrészekről
- 8 Kapcsolja ki, és áramtalanítsa a berendezést a tisztítás/karbantartás megkezdése előtt, illetve, ha a tápkábel vagy a hosszabbító megsérült, összegabancolódott
- 9 Kettős szigetelés (földelővezeték nem szükséges)
- 10 A gépet ne dobja a háztartási szeméttbe

KEZELÉS

- Összeszerelési útmutató
 - ! **mindig húzza ki a tápkábelt, mielőtt a kefe fel-/leszerelésébe kezd**
 - csúsztassa rá a védőburkolatot A a motor házára az ábra szerint, amíg a helyére nem kattann ⁽¹⁾
 - szerelje fel a kereket B a motor házára az ábra szerint, hogy a helyére kattanjon ⁽²⁾
 - nyomja be és tartsa nyomva a tengely C rögzítógombját, miközben meglazítja a D rögzítőanyát az E ⁽³⁾ kulccsal
 - szerelje fel az F keféet úgy, hogy a középvonala egybeessen a G kefe jelzővel
 - húzza meg a D rögzítőanyát a E kulccsal, miközben nyomva tartja a tengely C rögzítógombját
 - ! **cserélje ki az elkopott keféet (SKIL tartozékszám 2610Z02973)**
- Magasságbeállítás ⁽⁴⁾
 - lazítsa meg a reteszelő hüvelyt H az óramutató járásával azonos irányban elforgatva
 - ! **ha először használja a szerszámot, forgassa el 90°-kal a K markolatot, miután meglazította a H rögzítő hüvelyt**
 - húzza ki a csövet J a kívánt magasságra
 - húzza meg a reteszelő hüvelyt H az óramutató járásával ellentétes irányban elforgatva
 - ! **ne erőltesse a szerszámot, amikor a csövet a kívánt magasságra húzza vagy tolja**

- Tápkábel rögzítő horog ¹⁵
 - akassza be a tápkábelből képzett hurkot a horogra L az ábra szerint
 - a biztos rögzítéshez húzza feszesre a vezetékét
- Be/Ki ¹⁶
 - kapcsolja be a szerszámot az M indítókapcsoló lenyomásával
 - kapcsolja ki a szerszámot az M indítókapcsoló felengedésével
 - ! **a készülék kikapcsolása után a kefe még néhány másodpercig tovább forog**
 - az ismételt bekapcsolás előtt hagyja, hogy a kefe teljesen megálljon
 - ! **ne végezzen gyors be- és kikapcsolást**
- Mielőtt üzembe helyezné a gépet
 - ellenőrizze, hogy az F ¹³ kefe megfelelően lett felszerelve, és a D ¹³ rögzítőanya kellően meg lett húzva
 - egy próba bekapcsolást végezzen el úgy, hogy a gép legalább 30 másodpercig a legmagasabb fordulatszámon terhelés nélkül üzemeljen biztonságos körülmények között
 - erős vibrálásnál vagy más hibák észlelésekor gépet rögtön kapcsolja ki és ellenőrizze a gép előírásnak megfelelően került üzemeltetésre
- Gyom eltávolítása
 - ! **gondoskodjon arról, hogy a munkaterületen ne legyenek kövek, hulladékok vagy más idegen anyagok**
 - ellenőrizze, hogy a szerszám alsó oldala vízszintes helyzetben áll
 - a munkát csak járó motorral kezdje meg
 - kezdje a munkát a tápcsatlakozó aljzat közelében, és távolodjon tőle a munka során
 - tartsa távol a szerszámot kemény tárgyaktól és ültetett növényektől
 - ne használja a szerszámot egy helyen túl sokáig
 - ne terhelje túl a készüléket
- A gép vezetése és tartása ¹⁷
 - tartsa a szerszámot szilárdan egy kézzel
 - vezesse a szerszámot egyenletes sebességgel a gyomos felület fölött
 - tartson meg egy állandó munkavégzési helyzetet
 - tartsa mindig kellőképpen távol a készüléket a testétől

HASZNÁLAT

- A legjobb eredmény érdekében végezzen próbaüzemet a felület egy kis részén, és ellenőrizze, nem sérül-e a járólap
- A rendszeres gyomeltávolítás segít megszüntetni a gyom elburjánzását
- A www.skil.com címen még több ötletet és javaslatot talál

KARBANTARTÁS / SZERVIZ

- A szerszám nem professzionális használatra készült
- Mindig tartsa tisztán a gépet és a vezetékét
- ! **tisztítás előtt húzza ki a csatlakozódugót**
 - rendszeresen tisztítsa ki puha ruhával az N ² szellőzőnyílásokat
 - rendszeresen távolítsa el a szennyeződések az A ² védőburkolatról puha kefével

- Tárolás ¹⁸
 - a szerszám **beltéri** száraz és zárt helyen tárolja, ahol gyermekek nem férhetnek hozzá
 - a tároló sint P rögzítse a falra 4 csavarral (**nem tartozék**) megfelelően vízszintezve és biztonságosan
- Ha a gép a gondos gyártási és ellenőrzési eljárás ellenére egyszer mégis meghibásodna, akkor a javítással csak SKIL elektromos kéziszerszám-műhely ügyfélszolgálatát szabad megbízni
 - küldje az **összeszerelt** gépet a vásárlást bizonyító számlával együtt a kereskedő vagy a legközelebbi SKIL szervizállomás címére (a címlista és a gép szervizdiagramja a www.skil.com címen található)

HIBAELHÁRÍTÁS

- Az alábbi lista a hibajelenségeket, azok lehetséges okait és az elhárítás módját ismerteti (ha ezek között nem található az észlelt hibajelenség, forduljon a márkakereskedőhöz vagy szakszervizhez)
 - ! **a készüléket először kapcsolja ki, majd húzza ki a konnektorból, mielőtt a hiba elhárításába kezdene**
- ★ A gép nem működik
 - hibás a tápcsatlakozó aljzat -> használjon másik aljzatot
 - a hosszabbító vezeték megsérült -> cserélje ki
 - helytelenül felszerelt kefe -> szerelje fel újra a kefét
- ★ A szerszám szakaszosan működik
 - belső vezetékhiba -> forduljon a márkakereskedőhöz/szakszervizhez
 - be-/kikapcsoló gomb hibája -> forduljon a márkakereskedőhöz/szakszervizhez
- ★ A gyomot a szerszám nem távolítja el maradéktalanul
 - sérült/kopott kefe -> cserélje ki a kefét

KÖRNYEZET

- **Az elektromos kéziszerszámokat, tartozékokat és csomagolást ne dobja a háztartási szemétkébe** (csak EU-országok számára)
 - a használt villamos és elektronikai készülékekről szóló 2012/19/EK irányelv és annak a nemzeti jogba való átültetése szerint az elhasznált elektromos kéziszerszámokat külön kell gyűjteni, és környezetbarát módon újra kell hasznosítani
 - erre emlékeztet a ¹⁰ jelzés, amennyiben felmerül az intézkedésre való igény

MEGFELELŐSÉGI NYILATKOZAT CE

- Egyedüli felelősséggel kijelentjük, hogy a "Műszaki adatok" alatt leírt termék megfelel a következő szabványoknak, illetve irányadó dokumentumoknak: EN 60335, EN 61000, EN 55014 a 2006/95/EK, 2004/108/EK, 2006/42/EK, 2000/14/EK, 2011/65/EU irányelveknek megfelelően
- **A műszaki dokumentáció a következő helyen található:** SKIL Europe BV (PT-SEU/ENG1), 4825 BD Breda, NL

Marijn van der Hoofden
Operations & Engineering

Olaf Dijkgraaf
Approval Manager




SKIL Europe BV, 4825 BD Breda, NL

19.12.2013

CE11

ZAJ/REZGÉS

- Az EN 60335 alapján végzett mérések szerint ezen készülék hangnyomás szintje 68 dB(A) a hangteljesítmény szintje 88 dB(A) (normál eltérés: 3 dB), a rezgésszám 3,2 m/s² (kézre-ható érték; szórás K = 1,5 m/s²)
 - A 2000/14/EK (EN/ISO 3744) szabvány szerinti mérések alapján a garantált LWA hangteljesítmény szint alacsonyabb mint 91 dB(A) (a konformitás megállapítási eljárás leírása a VI. függelékben található)
Bejelentett szervezet: KEMA, Arnhem, NL
A bejelentett szervezet azonosítószáma: 0344
 - A rezgés-kibocsátási szint mérése az EN 60335 szabványban meghatározott szabványosított teszttel összehangban történő; ez egy eszköznél egy másik eszközzel történő összehasonlítására, illetve a rezgésnek való kitettség előzetes felmérésére használható fel az eszköznek az említett alkalmazásokra történő felhasználása során
 - az eszköznek eltérő alkalmazásokra, vagy eltérő, illetve rosszul karbantartott tartozékokkal történő felhasználása jelentősen **emelheti** a kitettség szintjét
 - az idő, amikor az eszköz ki van kapcsolva, vagy amikor ugyan működik, de ténylegesen nem végez munkát, jelentősen **csökkentheti** a kitettség szintjét
- ! az eszköz és tartozéka karbantartásával, kezének melegen tartásával, és munkavégzésének megszerzésével védje meg magát a rezgések hatásaitól**

CZ

Kartác a plevel

0700

ÚVOD

- Tento nástroj byl navržen pro odstraňování plevele z teras a mezi dlaždicemi
- Tento nástroj není určen k profesionálnímu použití
- Zkontrolujte, zda balení obsahuje všechny součásti, jak je zobrazeno na schématu ②
- Pokud některé součásti chybí nebo jsou poškozené, obraťte se na prodejce
- **Před použitím si pečlivě přečtěte tento návod s pokyny a si uschovejte jej pro budoucí potřebu** ③
- **Zvláštní pozornost věnujte bezpečnostním pokynům a výstrahám; při jejich nedodržení se vystavujete nebezpečí vážného úrazu**

TECHNICKÁ DATA ①

SOUČÁSTI NÁSTROJE ②

- A Ochranný kryt
- B Kolečko
- C Tlačítko k zajištění vřetena
- D Matice kleštiny
- E Klíč
- F Kartáč
- G Indikátor kartáče
- H Zajišťovací objímka
- J Teleskopická tyč

- K Rukojeť
- L Zarážka šňůry
- M Spouštěcí spínač
- N Větrací šterbiny
- P Skladovací držák (**šrouby nejsou součástí dodávky**)

BEZPEČNOST

SPECIFICKÉ BEZPEČNOSTNÍ POKYNY PRO KARTÁČE NA PLEVEL

OBECNĚ

- Seznamte se s ovládacími prvky a správným použitím nástroje
- Uživateľ je odpovědný za nehody a nebezpečí hrozící jiným osobám a jejich majetku
- Nástroj používejte pouze při teplotách mezi 0°C a 40°C
- Nikdy na tento nástroj nemontujte kovové sekací prvky
- Nástroj nepoužívejte k odstraňování vlhkého plevele

BEZPEČNOST OSOB

- Tento nástroj není určený pro používání osobami (včetně dětí) s omezenými fyzickými, smyslovými či mentálními schopnostmi, nebo s nedostatkem zkušeností a vědomostí, pokud na ně není dohlédnuto nebo nedostaly pokyny týkající se zacházení s nástrojem od osoby zodpovědné za jejich bezpečnost
- Postarejte se, aby si děti nehrály s nástrojem
- Nikdy nedovolte, aby nástroj používaly děti či osoby neobeznámené s provozním návodem
- Při používání nástroje používejte ochranu očí, noste dlouhé kalhoty a pevnou obuv
- Nikdy s nástrojem nepracujte, pokud je ochranný kryt poškozený nebo pokud není nasazený
- Nikdy nepracujte s nástrojem v bezprostřední blízkosti osob; vypněte nástroj, pokud jsou v blízkosti osoby (především děti) a domácí zvířata
- Nikdy s nástrojem nepracujte, pokud jste unavení, nemocní nebo pod vlivem drog, alkoholu či léků

ELEKTRICKÁ BEZPEČNOST

- Vždy zkontrolujte, zda je napájecí napětí stejné jako napětí uvedené na typovém štítku nástroje (nářadí určené k napájení 230V nebo 240V lze použít též v síti 220V)
- Pravidelně kontrolujte šňůru a v případě poškození nechte si je kvalifikovaným pracovníkem vyměnit
- Prodlužovací šňůru pravidelně kontrolujte, a pokud je poškozená, vyměňte ji (**nehodné prodlužovací šňůry mohou být nebezpečné**)
- Používejte pouze takovou prodlužovací šňůru, která je určena k venkovnímu použití a je vybavena vodotěsnou zástrčkou a spojovací zásuvkou
- Používejte zcela rozvinutá a bezpečně prodlužovací šňůry o kapacitě 16 ampér
- Při práci s nářadím ve vlhkém prostředí používejte proudový chránič se spouštěcím proudem maximálně 30 mA
- Přes (prodlužovací) šňůru nepřejíždějte, nezatěžujte ji ani za ni netahejte
- Chraňte (prodlužovací) šňůru před žárem, olejem a ostrými hranami
- Udržujte (prodlužovací) šňůru v dostatečné vzdálenosti od točícího se kartáče

- Dojde-li k přeseknutí, poškození nebo zamotání prodlužovacího kabelu napájení, nástroj vždy vypněte a odpojte od zdroje napájení (**před odpojením od napájení se kabelu nedotýkejte**)

KARTÁČE

- SKIL zajistí bezvadnou funkci nářadí pouze tehdy, používáte-li původní značkové
- Instalujte pouze kartáče, jejichž maximální otáčky ("RPM") jsou vyšší než otáčky vyznačené na nástroji
- Používejte pouze kartáče s maximálním průměrem 100 mm
- Nepoužívejte opotřeбенé kartáče
- Rez či jiné projevy chemických či mechanických změn materiálu, v němž jsou uchyceny štětiny kartáče, mohou předčasně způsobit nedostatečnou funkci kartáče
- Kartáče skladujte na vhodném místě, aby byly chráněny před těmito vlivy:
 - vysoká atmosférická vlhkost, horko, voda nebo jiné kapaliny, které by mohly kartáč poškodit
 - kyseliny nebo páry, které by mohly kartáč poškodit
 - nízké teploty, které by vedly ke kondenzaci na kartáči, jakmile jej uložíte do prostředí s vyšší teplotou
 - deformace jakékoli části kartáče

PŘED POUŽITÍM

- Toto nářadí používejte pouze za denního světla nebo s patřičným umělým osvětlením
- Před každým použitím a po každém nárazu zkontrolujte funkčnost nástroje; v případě poruchy jej nechte ihned opravit kvalifikovanou osobou (nástroj nikdy sami neotvírejte)
- Než stroj zapnete, odstraňte seřizovací nástroje nebo šroubovák (**nástroj nebo klíč, který se nachází v otáčivém dílu stroje, může vést k poranění**)
- Před použitím důkladně zkontrolujte oblast sekání a odstraňte všechny předměty, které by nástroj mohl při sekání odmrštit (např. kameny, malé kousky dřeva apod.)

BĚHEM POUŽITÍ

- Nástroj používejte pouze ve svislé poloze, s kartáčem směřujícím k zemi (**nikdy jej nezapínejte v jiné poloze**)
- Pohybujte nástrojem pouze při chůzi (neutíkejte)
- Nepřečázejte cesty nebo štěrkové pěšiny, pokud nástroj stále běží
- Nenechávejte se vyrušit a vždy se soustřeďte na to, co děláte
- Vždy se ujistěte, zda nejsou ventilační otvory zanesené

PO POUŽITÍ

- Kartáč se po vypnutí nástroje ještě chvíli otáčí (**když se kartáč otáčí, nedotýkejte se jej**)
- Zástrčku vždy odpojujte od zdroje napájení
 - kdykoli ponecháváte nástroj bez dozoru
 - před čištěním uvíznutého materiálu
 - před kontrolou, čištěním nebo prací na přístroji
 - po naražení do cizího předmětu
 - kdykoli nástroj začne neobvykle vibrovat
- Než nástroj odložíte, vypněte motor a přesvědčete se, že se všechny pohyblivé části úplně zastavily
- Nástroj skladujte **uvnitř budov** na suchém a uzamčeném místě mimo dosah dětí

VYSVĚTLENÍ SYMBOLŮ NA NÁŘADÍ

- ③ **Varování!** Přečtěte si návod k použití
- ④ Nevystavujte nářadí dešti
- ⑤ Noste ochranné brýle a ochranu sluchu

- ⑥ **Chraňte se před zraněními způsobenými poletujícími částicemi materiálu** (zajistěte, aby se osoby v okolí nacházely v bezpečné vzdálenosti od pracovního prostoru)

- ⑦ Nikdy nepřibližujte ruce a nohy k otočným součástem

- ⑧ Před čištěním či údržbou nebo při poškození či zamotání prodlužovacího kabelu nástroj vždy vypněte a odpojte od napájení

- ⑨ Dvojitá izolace (není nutný zemnicí drát)

- ⑩ Nářadí nevyhazujte do komunálního odpadu

OBSLUHA

- Montážní návod

! před montáží/demontáží kartáče vždy vytáhněte zástrčku ze zásuvky

- kryt nasuňte A přes skříň motoru, až zaklapne na místo, jak ukazuje obrázek ⑪

- kolo nainstalujte B na skříň motoru, až zaklapne na místo, jak ukazuje obrázek ⑫

- stiskněte tlačítko blokování středového kolíku C a držte je stisknuté; přitom povolte matici kleštiny D klíčem E ⑬

- namontujte kartáč F tak, aby jeho střed byl zarovnan k indikátorem kartáče G

- při stisknutém blokovacím tlačítku vřetene C utáhněte pomocí klíče E matici kleštiny D

! až bude kartáč opotřeбенý, vyměňte jej (číslo příslušenství SKIL 2610Z02973)

- Seřízení výšky ⑭

- uvolněte zajišťovací objímku H otočením po směru hodinových ručiček

! když nástroj používáte poprvé, povolte zajišťovací objímku H a otočte rukojeť K o 90 stupňů

- prodlužte tyč J na požadovanou výšku
- utáhněte zajišťovací objímku H otočením proti směru hodinových ručiček

! při vysouvání/zasouvání trubky na požadovanou délku nepoužívejte přílišnou sílu

- Zarážka šňůry ⑮

- zahákněte smyčku na prodlužovací šňůře za záražku L, jak nazorňuje obrázek
- pevným utažením prodlužovací šňůry zajistěte

- Zapnuto/vypnuto ⑯

- zapněte nářadí stisknutím přepínače M

- vypnete nářadí uvolněním přepínače M

! po vypnutí nástroje se kartáč ještě několik sekund otáčí

- před dalším zapnutím nechte kartáč úplně zastavit

! nástroj rychle nezapínejte a nevyplínejte

- Před použitím nářadí

- zkontrolujte, zda je kartáč F ⑬ správně namontován a zda je matici kleštiny D ⑬ pevně dotažena

- bezpečně vyzkoušejte chod nářadí spuštěním alespoň na 30 vteřin v nejvyšším výkonu bez zatížení

- okamžitě nářadí vypněte v případě velké vibrace nebo jiné závady, překontrolujte nářadí k zamezení těchto závad

- Odstraňování plevele

! zajistěte, aby se v oblasti sekání nenacházely kameny, suť a jiné cizí objekty

- dbejte na to, aby dolní strana nástroje byla udržována ve vodorovné poloze

- pracovat začnete, až když motor běží

- s prací začněte poblíž zásuvky a při práci se posunujte směrem od ní
- vyhýbejte se tuhým předmětům a rostlinám
- nástroj nepoužívejte na jednom místě příliš dlouho
- nástroj nepřetěžujte
- Držení a vedení nástroje ①⑦
 - držte nástroj pevně jednou rukou
 - nástroj ved'te konstantní rychlostí přes opracovávány povrch
 - udržujte pevný pracovní postoj
 - nástroj držte vždy v bezpečné vzdálenosti od těla

NÁVOD K POUŽITÍ

- V zájmu co nejlepších výsledků nejdříve nástroj vyzkoušejte na malé části povrchu a pak zkontrolujte, zda nedošlo k poškození dlaždic
- Pravidelné odstraňování plevele brání vzrůstu úporného plevele
- Další tipy najdete na www.skil.com

ÚDRŽBA / SERVIS

- Tento nástroj není určen k profesionálnímu použití
- Nástroj a přívodní šňůru udržujte čisté
 - ! **před čištěním odpojte zástrčku**
 - pravidelně čistěte ventilační štěrby N ② měkkým hadrem
 - pravidelně odstraňujte nečistoty z ochranného krytu A ② měkkým hadrem
- Skladování ⑩
 - nástroj skladujte **uvnitř budov** na suchém a uzavřeném místě mimo dosah dětí
 - skladovací držák P pevně namontujte na stěnu pomocí 4 šroubů (**nedodávají se s náradím**) ve vodorovné poloze
- Pokud dojde i přes pečlivou výrobu a náročnou kontroly k poruše nástroje, svěťte provedení opravy autorizovanému servisnímu středisku pro elektronářadí firmy SKIL
 - zašlete nástroj **nerozebraný** spolu s potvrzením o nákupu své prodejně nebo nejbližšímu servisu značky SKIL (adresy a servisní schéma nástroje najdete na www.skil.com)

ŘEŠENÍ PROBLÉMŮ

- Následující seznam uvádí příznaky problémů, možné příčiny a způsoby nápravy (pokud vám k určení problému a jeho vyřešení nepomůže, obraťte se na svého prodejce nebo servis)
 - ! **před zkoumáním problému náradí vypněte a odpojte ze zásuvky**
- ★ Nástroj nefunguje
 - vadná zásuvka zdroje napájení -> použijte jinou zásuvku
 - prodlužovací držák P je poškozená -> vyměňte prodlužovací šňůru
 - kartáč namontován nesprávně -> namontujte jej znovu
- ★ Náradí pracuje přerušovaně
 - poškozená vnitřní kabeláž -> obraťte se na prodejce či servis
 - vadný vypínač -> obraťte se na prodejce či servis
- ★ Plevel není zcela odstraněn
 - kartáč je poškozen/opotřeben -> vyměňte kartáč

ŽIVOTNÍ PROSTŘEDÍ

- **Elektrické nářadí, doplňky a balení nevyhazujte do komunálního odpadu** (jen pro státy EU)
 - podle evropské směrnice 2012/19/EG o nakládání s použitými elektrickými a elektronickými zařízeními a odpovídajících ustanovení právních předpisů jednotlivých zemí se použitá elektrická nářadí, musí sbírat odděleně od ostatního odpadu a podrobit ekologicky šetrnému recyklování
 - symbol ⑩ na to upozorňuje

PROHLÁŠENÍ O SHODĚ CE

- Prohlašujeme v plné naší zodpovědnosti, že v odstavci "Technická data" popsaný výrobek je v souladu s následujícími normami nebo normativními dokumenty: EN 60335, EN 61000, EN 55014 podle ustanovení směrnic 2006/95/ES, 2004/108/ES, 2006/42/ES, 2000/14/ES, 2011/65/EU
- **Technická dokumentace u:** SKIL Europe BV (PT-SEU/ENG1), 4825 BD Breda, NL

Marijn van der Hoofden
Operations & Engineering

Olaf Dijkgraaf
Approval Manager




SKIL Europe BV, 4825 BD Breda, NL

19.12.2013

CE11

HLUČNOSTI/VIBRACÍ

- Měřeno podle EN 60335 činí tlak hlukové vlny tohoto přístroje 68 dB(A) a dávka hlučnosti 88 dB(A) (standardní odchylka: 3 dB), a vibraci 3,2 m/s² (metoda ruka-paže; nepřesnost K = 1,5 m/s²)
- Měřeno podle 2000/14/ES (EN/ISO 3744) zaručená dávka hlučnosti LWA je nižší než 91 dB(A) (metoda posouzení shody podle dodatku VI)
- Ohlašovací orgán : KEMA, Arnhem, NL
Identifikační číslo ohlašovacího orgánu : 0344
- Úroveň vibrací byla měřena v souladu se standardizovaným testem podle EN 60335; je možné ji použít ke srovnání jednoho přístroje s druhým a jako předběžné posouzení vystavování se vibracím při používání přístroje k uvedeným aplikacím
 - používání přístroje k jiným aplikacím nebo s jiným či špatně udržovaným příslušenstvím může zásadně **zvýšit** úroveň vystavení se vibracím
 - doba, kdy je přístroj vypnutý nebo kdy běží, ale ve skutečnosti není využíván, může zásadně **snížit** úroveň vystavení se vibracím
- ! **chráňte se před následky vibrací tak, že budete dbát na údržbu přístroje a příslušenství, budete si udržovat teplé ruce a uspořádáte si své pracovní postupy**

Yabani ot temizleme fırçası 0700

GİRİŞ

- Bu alet, teraslardaki ve kiremit aralarındaki yabani otları temizlemek için tasarlanmıştır
- Bu alet profesyonel kullanıma yönelik değildir
- Ambalajın içinde, çizim ②'de gösterilen tüm parçaların bulunup bulunmadığını kontrol edin
- Parçaların eksik veya hasarlı olması durumunda bayinizle temasa geçin
- Kullanmadan önce bu kılavuzu dikkatli bir şekilde okuyun ve ileride ihtiyacınız olduğunda kullanmak için saklayın ③**
- Güvenlik talimatlarına ve uyarılarına özel bir dikkat gösterin; bunlara uyulmaması ciddi yaralanmalarına neden olabilir**

TEKNİK VERİLER ①

ALET BİLEŞENLERİ ②

- A Kesme koruyucu başlığı
- B Tekerlek
- C Mil kilitleme düğmesi
- D Halka somunu
- E Anahtar
- F Fırça
- G Fırça göstergesi
- H Kilitleme manşonu
- J Teleskopik boru
- K Kol
- L Kablo tutucu
- M Tetik svıç
- N Havalandırma yuvaları
- P Saklama rayı (**vidalar ürünlle birlikte verilmez**)

GÜVENLİK

YABANI OT TEMİZLEME FIRÇALARI İÇİN ÖZEL GÜVENLİK TALİMATLARI

GENEL

- Aletin kumandalarını ve doğru şekilde kullanımını öğrenin
- İnsanların yaralanmalarından veya nesnelere oluşan zararlardan kullanıcı sorumludur
- Aleti sadece ortam sıcaklığı 0°C ile 40°C arasındayken kullanın
- Bu alete asla metal kesme elemanları takmayın
- Fırçayı ıslak yabani otları temizlemede kullanmayın

KİŞİLERİN GÜVENLİĞİ

- Bu alet, güvenliklerinden sorumlu bir kişi tarafından aletin kullanımı ile ilgili gözetim ve açıklama sağlanmadığı takdirde fiziksel, duyuşsal ya da zihinsel olarak gelişmemiş ya da yeterli bilgi ve deneyime sahip olmayan kişiler (çocuklar dahil) tarafından kullanılmamalıdır
- Çocukların aletle oynamasını engelleyin
- Çocukların ve kullanma talimatları konusunda bilgisi olmayan kişilerin bu aleti kullanmalarına asla izin vermeyin

- Aleti kullanırken her zaman koruyucu gözlük kullanın, uzun pantolonlar ve sağlam ayakkabılar giyin
- Asla aleti hasarlı bir kesme koruyucu başlığıyla birlikte ya da kesme koruyucu başlığı takılı olmadan kullanmayın
- Aleti asla doğrudan insanların yakınında kullanmayın; yakında insanlar (özellikle çocuklar) veya evcil hayvanlar bulunuyorsa aleti kullanmayın
- Yorgunken, hastayken veya alkol ya da diğer ilaçların etkisi altındayken asla aleti kullanmayın

ELEKTRİKSEL GÜVENLİK

- Güç geriliminin, aletin özellik plakasında belirtilen voltaj değeriyle aynı olduğunu sık sık kontrol edin (230V veya 240V aletler 220V kaynağa bağlanabilir)
- Düzenli aralıklarla kablosunu kontrol edin ve hasar gören kısımlarını yetkili servis personeli tarafından değiştirilmesini sağlayın
- Düzenli aralıklarla uzatma kablosunu inceleyin ve hasar varsa değiştirin (**uygun olmayan uzatma kabloları tehlikeli olabilir**)
- Yalnızca dış ortamlarda kullanılmak üzere tasarlanmış ve su geçirmez bir fişli olan ek prizli uzatma kablosu kullanın
- Tamamen kusursuz ve güvenli 16 Amp uzatma kabloları kullanın
- Aleti nemli ortamlarda kullanırken, en fazla 30 mA tetikleyici akıma sahip bir artık akım cihazı (AKC) kullanın
- Kabloyu (uzatma) basmayın, ezmeyin veya çekmeyin
- Kabloyu (uzatma) ısıya, yağa ve sivri cisimlere karşı koruyun
- Kabloyu (uzatma) dönen fırçadan uzak tutun
- Elektrik veya uzatma kablosunun kesilmesi, zarar görmesi veya karışması durumunda aleti kapatın ve fişini elektrik kaynağından çekin (**fişi çekmeden önce kabloya dokunmayın**)

FIRÇALAR

- SKİL sadece orijinal aksesuarlar kullanıldığında aletin düzgün çalışmasını garanti eder
- Sadece maksimum hızı ("RPM") alet üzerinde belirtilen dev/dak değerinden yüksek olan fırçaları takın
- Sadece maksimum 100 mm çapa sahip fırçalar kullanın
- Aşınan fırçaları kullanmayın
- Pas izleri veya fırça uçlarını tutan malzemedeki diğer kimyasal ve mekanik değişim izleri fırçanın hizmet ömrünü kısaltabilir
- Fırçaları aşağıdaki etkilerle karşı korunacakları uygun bir yerde muhafaza edin:
 - yüksek hava nem, ısı, su veya fırçaya zarar verebilecek diğer sıvılar
 - fırçaya zarar verebilecek asit buharı veya asit
 - yüksek hava sıcaklığına sahip ortamlarda saklandığı zaman fırça üzerinde yoğunlaşmaya neden olabilecek düşük ortam sıcaklığı
 - fırçanın herhangi bir yerinde oluşabilecek deformasyon

KULLANMADAN ÖNCE

- Aleti sadece gün ışığında veya uygun yapay aydınlatma altında kullanın
- Her kullanım öncesinde ve herhangi bir darbe sonrasında cihazın çalışmasını kontrol edin, herhangi bir arıza durumunda, hiç vakit kaybetmeden yetkili servis personeli tarafından onarılmasını sağlayın, cihazı kesinlikle kendiniz açmaya çalışmayın
- Aleti çalıştırdıktan önce ayar aletlerini veya tornavidaları aletten uzaklaştırın (**dönen alet parçasına temas halinde bulunan bir uç veya anahtar yaralanmalara neden olabilir**)

- Kullanmadan önce kesme işlemi yapılacak alanı iyice kontrol edin ve kesme işlemi esnasında aletin fırlatabileceği tüm nesnelere temizleyin (taşlar, ağaç parçaları gibi)

KULLANIM SIRASINDA

- Aleti sadece fırça yere doğru bakacak biçimde dik olarak kullanın (**aleti asla başka bir konumda çalıştırmayın**)
- Aleti sadece yürüyüş hızında (koşmayın) kullanın
- Çalışan bir aletle yollardan veya çakıl patikalardan karşıya geçmeyin
- Dikkatinizi başka yöne vermeyin ve her zaman yaptığınız işe konsantre olun
- Havalandırma deliklerinin her zaman temiz kalmasını sağlayın

KULLANIMDAN SONRA

- Fırça, kapatıldıktan sonra kısa bir süre dönmeye devam eder (**dönen fırçaya dokunmayın**)
- Aşağıdaki durumlarda aletin fişini daima elektrik kaynağından çekin
 - aleti her gözetimsiz bıraktığınızda
 - sıkışan maddeleri temizlemeden önce
 - alet üzerinde kontrol, temizlik işlemi veya çalışma gerçekleştirilmeden önce
 - yabancı bir maddeye çarptıktan sonra
 - alet anormal şekilde titremeye başladığında
- Aleti yerleştirmeden önce motoru kapatın ve tüm hareketli parçaların durduğundan emin olun
- Aleti, çocukların erişemeyeceği, **iç mekanlarda** kilitli ve kuru bir yerde saklayın

ALET ÜZERİNDEKİ SİMGELERİN AÇIKLAMASI

- ③ **Uyarı!** Kullanmadan önce kılavuza okuyun
- ④ Aleti yağmura maruz bırakmayın
- ⑤ Korumacı gözlük ve koruyucu kulaklık giyin
- ⑥ **Fırıl原因an çöpler tarafından meydana gelebilecek yaralanma tehlikelerine dikkat edin** (seyredenleri çalışma alanında güvenli bir uzaklıkta tutun)
- ⑦ Ellerinizi ve ayaklarınızı daima dönen parçalardan uzak tutun
- ⑧ Temizleme/bakım işleminden önce veya (uzatma) kablosu hasar görmüşse ya da dolaşmışsa aleti kapatın fişini çekin
- ⑨ Çift yalıtım (topraklama kablosu gerekli değildir)
- ⑩ Aleti evdeki çöp kutusuna atmayın

KULLANIM

- Montaj talimatları
 - ! **fırçayı takmadan/çıkarmadan önce aletin fişini mutlaka çekin**
 - koruyucuyu çizimde A gösterildiği gibi yerine tam oturana kadar motor muhafazasının üzerine kaydırın ⑪
 - makarayı çizimde B gösterildiği gibi yerine tam oturana kadar motor muhafazasının üzerine monte edin ⑫
 - halka somununu D anahtar E ⑬ ile gevşetirken, mil kilidi düğmesini C itin
 - fırçayı, merkez F kısmı fırça göstergesiyle aynı çizgiye gelecek biçimde monte edin G
 - mil kilitleme düğmesini C iterken bağlantı somununu D anahtarla E sıkın
 - ! **aşınan fırçayı mutlaka değiştirin (SKIL aksesuar no. 2610Z02973)**

- Boyun ayarlanması ⑭
 - saat yönünde çevirerek kilitleme manşonunu H gevşetin
 - ! **aleti ilk kez kullanacağınız zaman, kilitleme manşonunu gevşettikten sonra kolu K 90° döndürün H**
 - boruyu J istediğiniz boya uzatın
 - saat yönünün tersinde çevirerek kilitleme manşonunu H sıkın
 - ! **tüpü istenen yüksekliğe getirmek için açıp kapatırken alete aşırı kuvvet uygulamayın**
- Kablo tutucu ⑮
 - kablo tutucu L üzerine gösterildiği gibi uzatma kablosundaki düğümü bağlayın
 - uzatma kablosunu güvenceye almak için sıkı şekilde çekin
- Açma/kapama ⑯
 - tetik svicini M getirerek aleti çalıştırın
 - tetik svicini M bırakarak aleti kapatın
 - ! **aleti kapatıktan sonra fırça birkaç saniye daha dönmeye devam eder**
 - aleti yeniden çalıştırmadan önce fırçanın durmasını bekleyin
 - ! **aleti hızlı şekilde açıp kapatmayın**
- Aletinizi kullanmadan önce
 - fırçanın F ⑬ doğru bir şekilde monte edildiğinden ve bağlantı somununu D ⑬ sıkıca oturduğundan emin olun
 - aleti güvenli bir pozisyonda tutup, en az 30 saniye maksimum hızda ve boşta çalıştırarak bir deneme işletimi yapın
 - hissedilir derecede titreşim veya başka bozukluklar olması halinde aleti hemen kapatın ve muhtemel bozuklukların nedenlerini tespit edin
- Yabani otların temizlenmesi
 - ! **kesme işlemi yapılacak alanda taşların, molozların ve diğer yabancı maddelerin bulunmadığından emin olun**
 - aletin alt kısmının zemine paralel olduğundan emin olun
 - sadece motor çalışırken kesme işlemine başlayın
 - kesme işlemine priz yakınından başlayın ve çalışarak uzağa doğru gidin
 - aleti sert nesnelere ve bitkilerden uzak tutun
 - aleti aynı noktada uzun süre kullanmayın
 - alete fazla yüklenmeyin
- Aletin tutulması ve kullanılması ⑰
 - aleti tek elinizle sıkıca tutun
 - aleti, çalışılacak yüzeyin üzerinde sabit bir hızla ilerletin
 - dengeli bir çalışma pozisyonu sağlayın
 - daima aleti vücudunuzdan uzakta tutun

UYGULAMA

- En iyi sonuçları almak için aleti yüzeyin küçük bir bölümünde deneme amaçlı çalıştırın ve kiremitlerin zarar görüp görmediğini kontrol edin
- Yabani otların düzenli olarak alınması bu otların güçlü ve inatçı bir biçimde çıkmasını önler
- Daha fazla ipucu için www.skil.com sitesini gezin

BAKIM / SERVİS

- Bu alet profesyonel kalıma yönelik deęildir
- Aleti ve kablosunu daıma temiz tutun
 - ! temizlemeden önce, cihazın fişini prizden çekin**
 - havalandırma yuvalarını N ② yumuşak bir bezle düzenli olarak temizleyin
 - kesme koruyucusundaki A ② kirleri yumuşak bir bezle düzenli olarak temizleyin
- Saklama ⑩
 - aleti, çocukların erisemeyeceęi, **iç mekanlarda** kilitle ve kuru bir yerde saklayın
 - saklama rayını P duvara 4 adet vidayla (**ürünle birlikte verilmmez**) monte edin ve yatay olarak dengeleyin
- Dikkatli biçimde yürütölen üretim ve test yöntemlerine rağmen aleti arıza yapacak olursa, onarım SKIL elektrikli aletleri için yetkili bir serviste yapılmalıdır
 - aleti ambalajıyla birlikte satın alma belgenizi de ekleyerek satıcınıza veya en yakın SKIL servisine ulaştırın (adresler ve aletin servis şemaları www.skil.com adresinde listelenmiştir)

SORUN GİDERME

- Aşağıdaki liste, sorunların belirtilerini, muhtemel nedenlerini ve düzeltici eylemleri gösterir (bunlar sorunu belirlemez ve düzeltmezse satıcınızla veya servisle iletişime geçin)
 - ! sorunu araştırmadan önce aleti kapatın ve fişini prizden çekin**
- ★ Alet çalışmıyor
 - güç kaynaęı prizi arızası -> başka priz kullanın
 - uzatma kablosu hasarlı -> uzatma kablosunu deęiştirin
 - firça hatalı monte edilmiş -> fırçayı tekrar monte edin
- ★ Alet kesik kesik çalışıyor
 - iç kablo tesisatı arızası -> satıcı/servis merkeziyle iletişime geçin
 - açma/kapama düğmesi arızası -> satıcı/servis merkeziyle iletişime geçin
- ★ Yabani ot tamamen temizlenmemiş
 - fırça hasarlı/aşınmış -> fırçayı deęiştirin

ÇEVRE

- Elektrikli aletlerini, aksesuarları ve ambalajları evdeki çöp kutusuna atmayınız** (sadece AB ölkeleri için)
 - kullanılmış elektrikli aletleri, elektrik ve elektrikli eski cihazlar hakkındaki 2012/19/EC Avrupa yönergelerine göre ve bu yönergeler ulusal hukuk kurallarına göre uyarlanarak, ayrı olarak toplanmalı ve çevre şartlarına uygun bir şekilde tekrar deęerlendirmeye gönderilmelidir
 - sembol ⑩ size bunu anımsatmalıdır

UYGUNLUK BEYANI CE

- Tek sorumlu olarak "Teknik veriler" bölümünde tanımlanan ürünün aşağıdaki norm veya normatif belgelere uygunluęunu beyan ederiz: EN 60335, EN 61000, EN 55014 yönetmelięi hükümleri uyarınca 2006/95/EG, 2004/108/EG, 2006/42/EG, 2000/14/EG, 2011/65/EU

- Teknik belgelerin bulunduğu merkez:** SKIL Europe BV (PT-SEU/ENG1), 4825 BD Breda, NL

Marijn van der Hoofden Olaf Dijkstra
Operations & Engineering Approval Manager

SKIL Europe BV, 4825 BD Breda, NL

19.12.2013

CE11

GÜRÜLTÜ/TİTREŞİM

- Ölçölen EN 60335 göre ses basıncı bu makinanın seviyesi 68 dB(A) ve çalışma sırasındaki gürültü 88 dB(A) (standart sapma: 3 dB), ve titreşim 3,2 m/s² (el-kol metodu; tolerans K = 1,5 m/s²)
- Ölçölen 2000/14/EG (EN/ISO 3744) göre güvenceli ses gücü düzeyi LWA 91 dB(A) deęerinden daha düşüktür (uygunluęa ilişkin deęerlendirme yöntemi Ek VI'e göredir) Onaylayan kuruluş: KEMA, Arnhem, NL Onaylayan kuruluşun sicil numarası: 0344
- Titreşim emisyon seviyesi EN 60335'te sunulan standart teste göre ölçölmüştür; bu seviye, bir aleti bir başkasıyla karşılaştırmak amacıyla ve aletin söz konusu uygulamalarda kullanılması sırasında titreşime maruz kalma derecesinin ön deęerlendirmesi olarak kullanılabilir
 - aletin farklı uygulamalar için veya farklı ya da bakımı yetersiz yapılmış aksesuarlarla kullanılması, maruz kalma seviyesini belirgin biçimde **arttırabilir**
 - aletin kapalı olduęu veya çalıştığı ancak gerçek anlamda iş yapmadığı zamanlarda, maruz kalma seviyesi belirgin biçimde **azalabilir**
- ! aletin ve aksesuarlarının bakımını yaparak, ellerinizi sıcak tutarak ve iş modellerinizi düzenleyerek kendinizi titreşimin etkilerinden koruyun**

PL

Wycinarka chwastów

0700

WSTĘP

- Narzędzie przeznaczone do usuwania chwastów z tarasów i szpar między płytkami ceramicznymi
- Narzędzie nie jest przeznaczone do zastosowań profesjonalnych
- Należy sprawdzić, czy opakowanie zawiera wszystkie części pokazane na rysunku ②
- W razie braku lub uszkodzenia części, skontaktuj się dealerem
- Proszę dokładnie przeczytać niniejszą instrukcję przed rozpoczęciem eksploatacji i zachować ją na przyszłość** ③
- Proszę zwrócić szczególną uwagę na instrukcję i ostrzeżenia odnoszące się do bezpieczeństwa obsługi; ich nieprzestrzeganie może prowadzić do poważnego uszkodzenia**

DANE TECHNICZNE ①

ELEMENTY NARZĘDZIA ②

- A Osłona
- B Kółko
- C Przycisk blokady wrzeciona
- D Nakrętka tulei
- E Klucz
- F Szczotka
- G Wskaźnik szczotki
- H Tuleja blokująca
- J Rura teleskopowa
- K Rękojeść
- L Ogranicznik przewodu
- M Właznik
- N Szczeliny wentylacyjne
- P Szyna do zawieszania (**śruby nie są dostarczane wraz z narzędziem**)

BEZPIECZEŃSTWO

INFORMACJE O BEZPIECZEŃSTWIE DOTYCZĄCE WYCINARKI CHWASTÓW

OGÓLNE

- Należy zapoznać się z elementami sterującymi narzędzia i zasadami jego prawidłowej obsługi
- Użytkownik ponosi odpowiedzialność za wypadki lub sytuacje zagrożenia dotyczące innych osób lub ich mienia
- Narzędzia należy używać wyłącznie w temperaturze 0–40°C
- Narzędzie nie jest przystosowane do pracy z ostrzami metalowymi
- Nie używać urządzenia do wycinania wilgotnych chwastów

BEZPIECZEŃSTWO OSÓB

- To urządzenie nie może być obsługiwane przez osoby (włącznie z dziećmi) o obniżonych zdolnościach fizycznych, sensorycznych lub umysłowych, nieposiadające stosownego doświadczenia i wiedzy, chyba że używają go pod nadzorem osoby odpowiedzialnej za ich bezpieczeństwo lub zostały przez nią odpowiednio poinstruowane w zakresie obsługi urządzenia
- Upewnić się, że dzieci nie bawią się urządzeniem
- Nigdy nie zezwalać na korzystanie z narzędzia dzieciom ani osobom, które nie zapoznały się z instrukcją obsługi
- Podczas pracy z narzędziem należy nosić osłonę oczu, spodnie z długimi nogawkami i solidne obuwie
- Nie należy używać urządzenia z uszkodzoną lub zdemontowaną osłoną
- Nie należy korzystać z narzędzia w pobliżu innych osób. Jeśli w pobliżu znajdują się inne osoby (zwłaszcza dzieci) lub zwierzęta, należy zaprzestać korzystania z urządzenia
- Nigdy nie należy korzystać z urządzenia w przypadku zmęczenia, choroby lub pozostawiania pod wpływem narkotyków, alkoholu lub leków

BEZPIECZEŃSTWO ELEKTRYCZNE

- Każdorazowo należy sprawdzać, czy napięcie zasilania jest zgodne z napięciem podanym na tabliczce znamionowej urządzenia (narzędzia na napięcie znamionowe 230V lub 240V zasilają także napięciem 220V)
- Regularnie sprawdzać kabel i zleć jego wymianę wykwalifikowanej osobie w przypadku uszkodzenia

- Należy regularnie sprawdzać przedłużacz i wymienić go w razie stwierdzenia uszkodzeń (**wadliwe przedłużacze mogą stwarzać zagrożenie**)
- Należy stosować wyłącznie przedłużacze przystosowane do użycia na dworze, wyposażone w wodoszczelne gniazdo sprężające
- W przypadku korzystania z kabla przedłużającego należy zwrócić uwagę, aby był maksymalnie nawinięty na bęben oraz był przystosowany do przewodzenia prądu o natężeniu przynajmniej 16 A
- Podczas pracy w otoczeniu o wysokiej wilgotności należy używać wyłącznika różnicowoprądowego z natężeniem prądu wyzwalającego wynoszącym maksymalnie 30 mA
- Nie należy deptać ani zginać przewodu (przedłużacza), jak również ciągnąć za niego
- Należy trzymać przewód (przedłużacz) z dala od źródeł ciepła, oleju oraz ostrych krawędzi
- Nie należy zbliżać kabla zasilania (przedłużacza) do obracającej się szczotki
- Narzędzie należy wyłączyć i wyjąć wtyczkę z gniazda sieciowego, jeśli kabel zasilający lub przedłużacz został przecięty, uszkodzony lub się zaplatał (**kabla nie wolno dotykać przed wyjęciem wtyczki**)

SZCZOTKI

- SKIL może zagwarantować bezawaryjne działanie narzędzia tylko przy korzystaniu z oryginalnego wyposażenia dodatkowego
- Należy instalować wyłącznie szczotki, których maksymalna prędkość obrotowa ("RPM") jest wyższa od prędkości obrotowej zaznaczonej na narzędziu
- Używać tylko szczotek o maksymalnej średnicy 100 mm
- Nie używać zużytych szczotek
- Płamy rdzy lub inne oznaki chemicznych albo mechanicznych zmian materiału gwintów szczotki mogą spowodować przedwczesne nieprawidłowości w działaniu szczotki
- Szczotki należy przechowywać w odpowiednim miejscu, zabezpieczone przed oddziaływaniem następujących czynników:
 - wysoka wilgotność atmosferyczna, wysokie temperatury, obecność wody lub innych płynów mogących uszkodzić szczotkę
 - kwasy lub kwaśne opary, mogące uszkodzić szczotkę
 - niskie temperatury otoczenia powodujące kondensację wilgoci na szczotce przechowywanej w wyższej temperaturze otoczenia
 - deformacja dowolnej części szczotki

PRZED UŻYCIEM

- Narzędzia należy używać wyłącznie przy świetle dziennym lub odpowiednim sztucznym oświetleniu
- Po zakończeniu pracy lub uderzeniu urządzeniem o inny przedmiot sprawdzić, czy urządzenie działa prawidłowo; w przypadku uszkodzenia naprawy powinien dokonać wykwalifikowany personel techniczny; nigdy nie otwierać samego urządzenia
- Zanim urządzenie zostanie włączone należy usunąć narzędzia nastawcze lub klucze (**narzędzie lub klucz, które znajdują się w ruchomych częściach urządzenia mogą doprowadzić do obrażeń ciała**)
- Przed rozpoczęciem korzystania z urządzenia należy dokładnie obejrzeć teren przeznaczony do skoszenia i usunąć z niego wszystkie objekty, które mogą zostać wyrzucone w powietrze przez urządzenie (kamienie, kawałki drewna itp.)

PODCZAS UŻYWANIA

- Narzędzia należy używać wyłącznie pionowo ze szczotką skierowaną do ziemi (**nie wolno włączyć narzędzia przy innej pozycji**)
- Narzędzie należy prowadzić z umiarkowaną prędkością (nie biegać)
- Nie należy przechodzić przez drogi i ścieżki żwirowe z włączonym urządzeniem
- Zawsze należy zachowywać pełną koncentrację na pracy i unikać rozpraszania
- Należy zawsze upewnić się, że w otworach wentylacyjnych nie znajdują się żadne elementy

PO UŻYCIU

- Po wyłączeniu narzędzia szczotka obraca się jeszcze kilka sekund (**nie wolno dotykać obracającej się szczotki**)
- Należy zawsze wyjmować wtyczkę z gniazda sieciowego
 - gdy narzędzie jest pozostawiane bez nadzoru
 - przed usunięciem zakleszczonego materiału
 - przed wykonaniem kontroli, przystąpieniem do czyszczenia lub rozpoczęciem pracy nad narzędziem
 - po uderzeniu w inny przedmiot
 - gdy narzędzie zaczyna drgać w sposób nietypowy
- Przed odłożeniem narzędzia należy wyłączyć silnik i upewnić się, że wszystkie ruchome elementy zostały całkowicie zatrzymane
- Przechowywać urządzenie **we wnętrzu w suchym, zamkniętym pomieszczeniu z dala od dzieci**

OBJAŚNIENIE SYMBOLI NA NARZĘDZIU

- ③ **Uwaga!** Należy przeczytać instrukcję obsługi
- ④ Narzędzia nie należy narażać na działanie opadów atmosferycznych
- ⑤ Należy stosować okulary ochronne i ochraniacze suchu
- ⑥ **Należy zwrócić uwagę na ryzyko obrażeń ciała spowodowane unoszącymi się w powietrzu odpadami** (osoby postronne powinny znajdować się w bezpiecznej odległości od obszaru roboczego narzędzia)
- ⑦ Nie zbliżać dłoni i stóp do obracających się części
- ⑧ Narzędzie należy wyłączyć oraz wyjąć wtyczkę z gniazda sieciowego przed przystąpieniem do czyszczenia/konserwacji lub w przypadku uszkodzenia bądź zaplątania się kabla (przedłużacza)
- ⑨ Podwójna izolacja (brak uziemienia)
- ⑩ Nie wyrzucaj narzędzie wraz z odpadami z gospodarstwa domowego

UŻYTKOWANIE

- Instrukcja montażu
 - ! **przed zamocowaniem lub zdjęciem szczotki należy zawsze odłączyć przewód zasilający**
 - osłonę A nasunąć na silnik zgodnie z ilustracją tak, aby usłyszeć dźwięk kliknięcia ⑪
 - koło B nasunąć na obudowę silnika zgodnie z ilustracją tak, aby usłyszeć dźwięk kliknięcia ⑫
 - wcisnąć i przytrzymać przycisk blokady wrzeczona C, a jednocześnie za pomocą klucza D poluzować nakrętkę tulei E ⑬
 - zamocować szczotkę F równo ze wskaźnikiem szczotki G
 - dokręcić nakrętkę tulei D przy pomocy klucza E, wciskając przycisk blokady wrzeczona C
- ! **zużytą szczotkę należy wymienić (numer części SKIL 2610Z02973)**

- Regulacja wysokości ⑭
 - poluzować tuleję blokującą H, obracając ją w kierunku zgodnym z ruchem wskazówek zegara
 - ! **gdy narzędzie jest używane po raz pierwszy, należy poluzować tuleję blokującą H i obrócić uchwyt K o 90°**
 - zwiększyć długość rury J do uzyskania pożądanego wysokości
 - dokręcić tuleję blokującą H, obracając ją w kierunku przeciwnym do ruchu wskazówek zegara
 - ! **nie stosować siły względem narzędzia podczas ustawiania rury na wybraną wysokość**
- Ogranicznik przewodu ⑮
 - należy nałożyć pętlę przedłużacza na ogranicznik L, jak przedstawiono na ilustracji
 - należy mocno dociągnąć, aby stabilnie zamocować przedłużacz
- Włącznik/wyłącznik ⑯
 - włączyć narzędzie naciśnięciem włącznika M
 - wyłączyć narzędzie zwalniając włącznika M
 - ! **po wyłączeniu narzędzia szczotka będzie się obracać przez kilka sekund**
 - przed ponownym włączeniem urządzenia należy zaczekać na zatrzymanie obrotów szczotki
 - ! **nie należy zbyt szybko włączać i wyłączać urządzenia**
- Przed przystąpieniem do pracy
 - należy sprawdzić, czy szczotka F ⑬ jest poprawnie zamocowana, a nakrętka tulei D ⑬ solidnie dokręcona
 - uruchomić próbnie elektronarzędzie w biegu luzem w ciągu przynajmniej 30 sekund z maksymalną prędkością obrotową
 - w przypadku stwierdzenia wibracji lub innej nieprawidłowości elektronarzędzie natychmiast wyłączyć i usunąć przyczynę
- Usuwanie chwastów
 - ! **upewnić się, że na obszarze przeznaczonym do przycięcia nie znajdują się kamienie, gruz i inne podobne przedmioty**
 - upewnić się, czy spód urządzenia jest równo ustawiony
 - usuwanie chwastów można rozpocząć dopiero po uruchomieniu silnika
 - usuwanie należy rozpocząć w pobliżu gniazda sieciowego i odsuwać się od niego w miarę pracy
 - należy omijać twarde przedmioty i rośliny
 - nie używać urządzenia za długo w jednym miejscu
 - nie przeciążać urządzenia
- Utrzymywanie i prowadzenie narzędzia ⑰
 - trzymać solidnie urządzenie jedną ręką
 - prowadzić urządzenie ze stałą szybkością po powierzchni, z której usuwane są chwasty
 - utrzymywać stałą pozycję roboczą
 - zawsze trzymać narzędzie z daleka od ciała

WSKAZÓWKI UŻYTKOWANIA

- Aby uzyskać najlepsze wyniki, należy uruchomić testowo urządzenie na niewielkiej powierzchni i sprawdzić, czy płytki nie są uszkodzane
- Regularne usuwanie chwastów pozwala na ich trwałe usunięcie
- Więcej wskazówek można znaleźć pod adresem www.skil.com

KONSERWACJA / SERWIS

- Narzędzie nie jest przeznaczone do zastosowań profesjonalnych
- Zawsze dbać o czystość narzędzia i przewodu zasilającego
 - ! przed przystąpieniem do czyszczenia należy wyjąć wtyk z gniazda sieciowego**
 - regularnie czyścić otwory wentylacyjne N ② miękką szmatką
 - regularnie usuwać brud spod osłony A ② przy użyciu miękkiej szczoteczki
- Przechowywanie ⑩
 - przechowywać urządzenie **we wnętrzach w suchym, zamkniętym pomieszczeniu z dala od dzieci**
 - należy stabilnie zamocować szynę do zawieszania P na ścianie przy użyciu 4 śrub (**niedostarczane wraz z narzędziem**) i wypoziomować ją
- Jeśli narzędzie, mimo dokładnej i wszechstronnej kontroli produkcyjnej ulegnie kiedykolwiek awarii, naprawę powinien przeprowadzić autoryzowany serwis elektronarzędzi firmy SKIL
 - odesłać **nierozebrany** narzędzie, wraz z dowodem zakupu, do dealera lub do najbliższego punktu usługowego SKIL (adresy oraz diagram serwisowy narzędzenia znajdują się na stronach www.skil.com)

ROZWIĄZYWANIE PROBLEMÓW

- Podana lista zawiera opis objawów problemów, ich możliwych przyczyn oraz działań naprawczych (jeśli w ten sposób nie można zidentyfikować i usunąć problemu, należy skontaktować się z dystrybutorem lub punktem serwisowym)

! przed przystąpieniem do rozwiązywania problemu należy wyłączyć narzędzie i wyciągnąć wtyczkę z gniazda sieciowego

- ★ Narzędzie nie działa
 - wadliwe gniazdo sieciowe -> należy użyć innego gniazda
 - uszkodzony przedłużacz -> należy go wymienić
 - szczotka jest niepoprawnie zamocowana -> zamocować szczotkę ponownie
- ★ Narzędzie działa z przerwami
 - uszkodzenie wewnętrznego okablowania -> należy skontaktować się z dystrybutorem lub punktem serwisowym
 - uszkodzenie włącznika -> należy skontaktować się z dystrybutorem lub punktem serwisowym
- ★ Nie wszystkie chwasty są usuwane
 - szczotka jest zepsuta lub uszkodzona -> wymienić szczotkę

ŚRODOWISKO

- Nie wyrzucaj elektronarzędzi, akcesoriów i opakowania wraz z odpadami do gospodarstwa domowego** (dotyczy tylko państw UE)
 - zgodnie z Europejską Dyrektywą 2012/19/WE w sprawie zużytego sprzętu elektrotechnicznego i elektronicznego oraz dostosowaniem jej do prawa krajowego, zużyte elektronarzędzia należy posegregować i zutylizować w sposób przyjazny dla środowiska
 - w przypadku potrzeby pozbycia się narzędzia, akcesoriów i opakowania - symbol ⑩ przypomni Ci o tym

DEKLARACJA ZGODNOŚCI CE

- Oświadczamy z pełną odpowiedzialnością, że produkt, przedstawiony w "Dane techniczne", odpowiada wymaganiom następujących norm i dokumentów normatywnych: EN 60335, EN 61000, EN 55014 zgodnie z wymaganiami dyrektyw 2006/95/EU, 2004/108/EU, 2006/42/EU, 2000/14/EU, 2011/65/EU
- Dokumentacja techniczna:** SKIL Europe BV (PT-SEU/ENG1), 4825 BD Breda, NL

Marijn van der Hoofden Olaf Dijkgraaf
Operations & Engineering Approval Manager

SKIL Europe BV, 4825 BD Breda, NL

19.12.2013

CE11

HAŁASU/WIBRACJE

- Pomiarów dokonano zgodnie z normą EN 60335 ciśnienie akustyczne narzędzia wynosi 68 dB(A) zaś poziom mocy akustycznej 88 dB(A) (poziom odchylenie: 3 dB), zaś wibracje 3,2 m/s² (metoda dłoń-ręka; błąd pomiaru K = 1,5 m/s²)
- Gwarantowany poziom mocy akustycznej LWA mierzony zgodnie z normą 2000/14/WE (EN/ISO 3744) jest niższy niż 91 dB(A) (sposób oceny zgodności wg załącznika VI) Urząd zatwierdzający: KEMA, Arnhem, NL Numer identyfikacyjny urzędu zatwierdzającego: 0344
- Poziom emisji wibracji został zmierzony zgodnie z testem standaryzowanym podanym w EN 60335; może służyć do porównania jednego narzędzia z innym i jako ocena wstępna narażenia na wibracje w trakcie używania narzędzia do wymienionych zadań
 - używanie narzędzia do innych zadań, lub z innymi albo źle utrzymanymi akcesoriami, może znacząco **zwiększyć** poziom narażenia
 - przypadki, kiedy narzędzie jest wyłączone lub jest czynne, ale aktualnie nie wykonuje zadania, mogą znacząco **zmniejszyć** poziom narażenia
- ! należy chronić się przed skutkami wibracji przez konserwację narzędzia i jego akcesoriów, zakładanie rękawic i właściwą organizację pracy**

RU

Электрический триммер для срезания сорняков 0700

ВВЕДЕНИЕ

- Этот инструмент предназначен для удаления сорняков с тротуаров и между плитками
- Данный инструмент не подходит для промышленного использования
- Проверьте наличие в упаковке всех частей, показанных на рисунке ②
- В случае отсутствия или повреждения деталей обращайтесь в магазин, где был приобретен инструмент

- **Перед использованием прибора внимательно ознакомьтесь с данной инструкцией и сохраните ее для последующего использования** ③
- **Обратите особое внимание на инструкции по безопасности и предупреждения; нарушение этих инструкций и предупреждений может привести к серьезным повреждениям**

ТЕХНИЧЕСКИЕ ДАННЫЕ ①

ДЕТАЛИ ИНСТРУМЕНТА ②

- A Ограничитель хода
- B Колесо
- C Кнопка блокировки шпинделя
- D Гайка цанги
- E Ключ
- F Щетка
- G Индикатор щетки
- H Фиксаторная втулка
- J Телескопическая штанга
- K Рукоятъ
- L Ограничитель шнура
- M Курковый переключатель
- N Вентиляционные отверстия
- P Подвеска для хранения (**винты в комплект поставки не входят**)

БЕЗОПАСНОСТЬ

МЕРЫ БЕЗОПАСНОСТИ ПРИ РАБОТЕ С ЭЛЕКТРИЧЕСКИМ ТРИММЕРОМ

ОБЩЕЕ

- Ознакомьтесь со средствами управления и порядком работы с инструментом
- За несчастные случаи с людьми или повреждение их имущества, а также угрозу для них отвечает пользователь
- Используйте инструмент только при температуре внешней среды от 0 до 40°C
- Ни в коем случае не устанавливайте на данный инструмент металлические режущие элементы
- Не используйте этот инструмент для срезания мокрых сорняков

ЛИЧНАЯ БЕЗОПАСНОСТЬ

- Этот инструмент не должен использоваться лицами (включая детей) с ограниченными физическими, сенсорными или умственными способностями, или лицами, не имеющими достаточного опыта и знаний, за исключением случаев, когда они работают под надзором или проинструктированы в вопросах использования инструмента лицом, ответственным за их безопасность
- Убедитесь, что дети не имеют возможности играть с инструментом
- Никогда не допускайте к работе с устройством детей или людей, не ознакомленных с инструкцией по эксплуатации этого инструмента
- Во время работы с инструментом используйте защитные очки, одевайте длинные штаны, рубашку на длинный рукав и прочную обувь

- Ни в коем случае не используйте инструмент, если не установлен или поврежден ограничитель хода
- Категорически запрещено использовать инструмент в непосредственной близости от людей (особенно детей) и животных

- Не работайте с инструментом, если устали, плохо себя чувствуете или принимали наркотические вещества, алкоголь или медикаменты

ЭЛЕКТРИЧЕСКАЯ БЕЗОПАСНОСТЬ

- Обязательно убедитесь, что напряжение питания соответствует напряжению, указанному на фирменном штампе инструмента (инструменты, рассчитанные на напряжение 230 В или 240 В, можно подключать к питанию 220 В)
- Периодически осматривайте шнур и необходимо, чтобы квалифицированный специалист заменил сетевой шнур в случае повреждения
- Периодически осматривайте удлинительный шнур и заменяйте его в случае повреждения (**использование несоответствующих удлинительных шнуров небезопасно**)
- Используйте только удлинительные шнуры, предназначенные для внешних работ и снабженные водозащитными штепсельными розетками
- Используйте полностью размотанные и безопасные удлинители, рассчитанные на ток не менее 16 А
- При работе во влажных условиях используйте устройство защитного отключения (УЗО) с максимальным пусковым током 30 мА
- Не наступайте на (удлинительный) шнур, не надавливайте на него и не тяните его
- Защищайте (удлинительный) шнур от источников тепла, масла и острых краев
- Не допускайте попадания (удлинительного) шнура под вращающуюся щетку
- В случае разрезания, повреждения или запутывания силового или удлинительного шнура, выключите инструмент и вытяните вилку с розетки (**не касайтесь шнура, пока вилка вставлена в розетку**)

ЩЕТКИ

- SKIL обеспечивает надежную работу инструмента только при использовании соответствующих приспособлений
- Устанавливайте только щетки, максимальная скорость которых ("RPM") выше скорости вращения, указанной на инструменте
- Используйте только щетки с максимальным диаметром 100 мм
- Не используйте изношенные щетки
- Следы ржавчины или другие признаки химических и механических изменений материала, на который нанесена резьба для установки щетки, могут вызвать преждевременные сбои в ее работе
- Храните щетки в подходящем месте, где они будут защищены от воздействия следующих факторов:
 - высокая атмосферная влажность, высокая температура воздуха, вода и другие жидкости, которые могут повредить щетку
 - кислоты или кислотные испарения, которые могут повредить щетку

- низкая температура воздуха, которая вызывает образование конденсата на щетке, если до использования она хранилась в помещении с более высокой температурой
- деформация какой-либо части щетки

ПЕРЕД ИСПОЛЬЗОВАНИЕМ

- Использовать инструмент следует только при достаточном естественном или соответствующем искусственном освещении
- Проверяйте работоспособность инструмента перед каждым использованием или после удара; в случае обнаружения неисправности, незамедлительно сдайте его в ремонт квалифицированным специалистам (ни в коем случае не вскрывайте инструмент самостоятельно)
- Во избежание травм перед включением инструмента удалите регулировочный или гаечный ключ из вращающейся части инструмента
- Перед подрезанием тщательно осмотрите газон и уберите любые посторонние предметы, в которых может застрять инструмент (как, например, камни, отломившиеся сучки и т.п.)

ВО ВРЕМЯ ИСПОЛЬЗОВАНИЯ

- Использовать инструмент следует только в вертикальном положении так, чтобы щетка была направлена в землю (**ни в коем случае не включайте инструмент в другом положении**)
- Работая с инструментом, перемещайтесь размеренным нешироким шагом (не бегите)
- Не переходите дорогу или гравийную дорожку с работающим инструментом в руках
- Не отвлекайтесь и всегда следите за своей работой
- Не допускайте попадания осколков в вентиляционные отверстия

ПОСЛЕ ИСПОЛЬЗОВАНИЯ

- Щетка остановится только спустя некоторое время после выключения инструмента (**не прикасайтесь к вращающейся щетке**)
- Всегда вытягивайте вилку из сетевой розетки, - если оставляете инструмент без присмотра
- перед тем, как убирать застрявшие предметы
- перед тем, как осматривать, очищать инструмент или проводить с ним другие операции
- в случае попадания на посторонний предмет
- если инструмент начинает очень сильно вибрировать
- Перед тем как опустить инструмент, выключите двигатель и убедитесь, что все его движущиеся части полностью остановились
- Храните инструмент **в помещении** в сухом, запираемом, не доступном для детей месте

ПОЯСНЕНИЕ К УСЛОВНЫМ ОБОЗНАЧЕНИЯМ НА ИНСТРУМЕНТЕ

- ③ **Внимание!** Ознакомьтесь с инструкцией по эксплуатации
- ④ Исключите возможность попадания на инструмент дождя
- ⑤ Одевайте защитные очки и средства защиты волос
- ⑥ **Остерегайтесь отлетающих осколков** (окружающие должны находиться на безопасном расстоянии от места уборки)

- ⑦ Всегда держите руки и ноги на безопасном расстоянии от вращающихся деталей косилки
- ⑧ В случае, если повредился или запутался (удлинительный) шнур, перед тем, как распутать или отремонтировать его, отключите устройство и выньте вилку из розетки
- ⑨ Двойная изоляция (заземляющий провод не требуется)
- ⑩ Не выкидывайте инструмент вместе с бытовым мусором

ИСПОЛЬЗОВАНИЕ

- Указания по сборке
 - ! **всегда вытягивайте штепсельную вилку устройства из розетки, прежде чем устанавливать/снимать щетку**
 - опустите защитную крышку А на корпус двигателя до защёлкивания, как показано на рисунке ⑪
 - установите колесо В на корпус двигателя до защёлкивания, как показано на рисунке ⑫
 - нажмите и удерживайте кнопку блокировки шпинделя С и ослабьте ключом D гайку цапги E ⑬
 - установите щетку F так, чтобы ее центр совпал с индикатором щетки G
 - затяните гайку цапги D ключом E при нажатой кнопке блокировки шпинделя С
- ! **замените щетку, если она имеет признаки изнашивания (номер дополнительного оборудования SKIL 2610Z02973)**
- Регулировка высоты ⑭
 - ослабьте фиксаторную втулку H, повернув ее по часовой стрелке
 - ! **при первом использовании инструмента поверните ручку K на 90°, для чего следует ослабить фиксирующую втулку H**
 - вытяните штангу J на требуемую высоту
 - затяните фиксаторную втулку H, повернув ее против часовой стрелки
 - ! **раскладывая/складывая трубку для получения необходимой высоты, не прикладывайте чрезмерных усилий**
- Ограничитель шнура ⑮
 - перекиньте кольцо удлинительного шнура через ограничитель, как показано на рисунке L
 - чтобы зафиксировать шнур, сильно потяните
- Включение/выключение ⑯
 - включите инструмент нажав курковый выключатель M
 - выключите инструмент отпустив курковый выключатель M
 - ! **щетка остановится только спустя несколько секунд после отключения инструмента**
 - перед тем как снова включать инструмент, подождите, пока щетка остановится
 - ! **не включайте и не выключайте инструмент быстро**
- Перед использованием инструмента
 - убедитесь в том, что щетка F ⑬ установлена правильно, и что гайка цапги D ⑬ надежно затянута
 - опробуйте работу инструмента в течение не менее 30 секунд на максимальной скорости без нагрузки в безопасном положении

- в случае значительной вибрации или других дефектов немедленно остановите инструмент и проверьте его для определения причины дефекта
- Срезание сорняков
 - ! **уберите с газона камни, обломки и другие посторонние предметы**
 - убедитесь в том, что нижняя часть инструмента находится в горизонтальном положении
 - приступайте к работе только после запуска двигателя
 - начинайте подрезание возле сетевой розетки, а потом двигайтесь дальше
 - не подводите инструмент к твердым предметам, кустам и деревьям
 - не используйте инструмент на одном месте слишком долго
 - не перегружайте инструмент
- Удерживание и направление инструмента ①
 - крепко удерживайте инструмент одной рукой
 - ведите инструмент по обрабатываемой поверхности с постоянной скоростью
 - при работе займите устойчивое положение
 - всегда держите инструмент от себя

СОВЕТЫ ПО ИСПОЛЬЗОВАНИЮ

- Для достижения наилучших результатов опробуйте инструмент на небольшом участке обрабатываемой поверхности и проверьте, не повреждается ли плитка
- Регулярное срезание сорняков позволяет предупредить их сильное разрастание
- См дополнительную информацию на сайте www.skil.com

ТЕХОБСЛУЖИВАНИЕ / СЕРВИС

- Данный инструмент не подходит для промышленного использования
- Всегда содержите инструмент и его шнур в чистоте
 - ! **перед чистой инструмента выньте вилку из розетки**
 - периодически очищайте вентиляционные отверстия N ② мягкой тканью
 - периодически удаляйте грязь с ограничителя хода A ② с помощью мягкой щетки
- Хранение ⑧
 - храните инструмент **в помещении** в сухом, запираемом, не доступном для детей месте
 - надежно закрепите подвеску P на стене при помощи 4 винтов (**не входят в комплект поставки**), выравняв их по горизонтали
- Если инструмент, несмотря на тщательные методы изготовления и испытания, выйдет из строя, то ремонт следует производить силами авторизованной сервисной мастерской для электроинструментов фирмы SKIL
 - отправьте **неразобранный** инструмент со свидетельством покупки Вашему дилеру или в ближайшую станцию обслуживания фирмы SKIL (адреса и схема обслуживания инструмента приведены в вебсайте www.skil.com)

УСТРАНЕНИЕ НЕИСПРАВНОСТЕЙ

- Ниже приведен перечень неисправностей, их возможных причин и корректирующих действий (если при их помощи не удастся исправить проблему, обратитесь к дилеру или в сервисный центр)
 - ! **перед поиском неисправности выключите инструмент и отсоедините вилку**
- ★ Инструмент не работает
 - повреждение розетки питания -> используйте другую розетку
 - поврежден удлинительный шнур -> замените удлинительный шнур
 - неправильно установлена щетка -> установите щетку еще раз
- ★ Инструмент отключается периодически
 - повреждена внутренняя проводка -> обратитесь к дилеру или в сервисный центр
 - поврежден выключатель питания -> обратитесь к дилеру или в сервисный центр
- ★ Сорняк срезается не полностью
 - щетка повреждена/износилась -> замените щетку

ОХРАНА ОКРУЖАЮЩЕЙ СРЕДЫ

- **Не выкидывайте электроинструмент, принадлежности и упаковку вместе с бытовым мусором** (только для стран ЕС)
 - во исполнение европейской директивы 2012/19/ЕС об утилизации отслужившего свой срок электрического и электронного оборудования и в соответствии с действующим законодательством, утилизация электроинструментов производится отдельно от других отходов на предприятиях, соответствующих условиям экологической безопасности
 - значок ⑩ напомнит Вам об этом, когда появится необходимость сдать электроинструмент на утилизацию

ДЕКЛАРАЦИЯ О СООТВЕТСТВИИ СТАНДАРТАМ СЕ

- С полной ответственностью мы заявляем, что описанный в разделе "Технические данные" продукт соответствует нижеследующим стандартам или нормативным документам: EN 60335, EN 61000, EN 55014 согласно положениям директив 2006/95/EC, 2004/108/EC, 2006/42/EC, 2000/14/EC, 2011/65/EC
- **Техническая документация у:** SKIL Europe BV (PT-SEU/ENG1), 4825 BD Breda, NL

Marijn van der Hoofden Olaf Dijkgraaf
Operations & Engineering Approval Manager




SKIL Europe BV, 4825 BD Breda, NL

19.12.2013

- Информация о сертификате соответствия расположена на последней странице настоящей Инструкции

CE11

- Сертификаты соответствия хранятся по адресу: ООО "Роберт Бош" ул. Акад. Королёва, 13, стр. 5 Россия, 129515, Москва
С января 2014 г. Вашутинское шоссе, влад. 36 Россия, 141446 г.о. Химки
- **Дата производства** указана на последней странице настоящей инструкции
- Информацию об **импортере** изделия можно найти на упаковке

ШУМНОСТИ/ВИБРАЦИИ

- При измерении в соответствии со стандартом EN 60335 уровень звукового давления для этого инструмента составляет 68 дБ (А) и уровень звуковой мощности - 88 дБ (А) (стандартное отклонение: 3 дБ), и вибрации - 3,2 м/с² (по методу для рук; недостоверность K = 1,5 м/с²)
 - Гарантированный уровень звуковой мощности LWA, измеренный согласно стандарту 2000/14/EC (EN/ISO 3744) ниже 91 дБ(А) (способ оценки соответствия согласно Приложению VI)
Уполномоченный орган: KEMA, Arnhem, NL
Идентификационный номер уполномоченного органа: 0344
 - Уровень вибрации был измерен в соответствии со стандартизированным испытанием, содержащимся в EN 60335; данная характеристика может использоваться для сравнения одного инструмента с другим, а также для предварительной оценки воздействия вибрации при использовании данного инструмента для указанных целей
 - при использовании инструмента в других целях или с другими/неисправными вспомогательными приспособлениями уровень воздействия вибрации может значительно **повышаться**
 - в периоды, когда инструмент отключен или функционирует без фактического выполнения работы, уровень воздействия вибрации может значительно **снижаться**
- ! защищайте себя от воздействия вибрации, поддерживая инструмент и его вспомогательные приспособления в исправном состоянии, поддерживая руки в тепле, а также правильно организовывая свой рабочий процесс**

UA

Триммер для зрізання бур'яну 0700

ВСТУП

- Цей інструмент призначений для видалення бур'яну з брунков та між плитками
- Цей інструмент не придатний для промислового використання
- Перевірте наявність в упаковці всіх частин, показаних на малюнку ②

- У разі відсутності чи пошкодження деталей просимо звертатися в магазин, де було придбано інструмент
- **Перед використанням приладу уважно прочитайте дану інструкцію з експлуатації й збережіть її для подальшого використання** ③
- **Зверніть особливу увагу на правила і попередження з техніки безпеки; їх недотримання може призвести до серйозної травми**

ТЕХНІЧНІ ДАНІ ①

ЕЛЕМЕНТИ ІНСТРУМЕНТА ②

- A** Обмежувач ходу
- B** Колесо
- C** Кнопка блокування шпинделя
- D** Гайка патрона
- E** Ключ
- F** Щітка
- G** Індикатор щітки
- H** Фіксаторна втулка
- J** Телескопічна штанга
- K** Руків'я
- L** Обмежувач шнура
- M** Курковий перемикач
- N** Вентиляційні отвори
- P** Підвіска для зберігання (гвинти у комплект постачання не входять)

БЕЗПЕКА

СПЕЦІАЛЬНІ ІНСТРУКЦІЇ З ТЕХНІКИ БЕЗПЕКИ ДЛЯ ТРИМЕРІВ ДЛЯ ЗРІЗАННЯ БУР'ЯНУ

ЗАГАЛЬНЕ

- Ознайомтеся із засобами керування та порядком роботи з інструментом
- За нещасні випадки з людьми або пошкодження їх майна, а також загрозу для них відповідає користувач
- Використовуйте інструмент тільки при доволішній температурі від 0 до 40°C
- У жодному разі не встановлюйте на цей інструмент металеві різальні елементи
- Не використовуйте інструмент для зрізання мокрого бур'яну

БЕЗПЕКА ЛЮДЕЙ

- Цей інструмент не може використовуватись особами (включаючи дітей) з обмеженими фізичними, сенсорними або розумовими здібностями, або особами, які не мають достатньо досвіду та знань за виключенням випадків, коли вони працюють під наглядом або пройшли інструктаж щодо використання інструменту з боку особи, яка відповідає за їх безпеку
- Переконайтеся, що діти не мають змоги гратися з інструментом
- Ніколи не допускайте до роботи з пристроєм дітей або людей, які не ознайомились з інструкцією експлуатації
- Під час роботи з інструментом використовуйте захисні окуляри, одягайте довгі штани, сорочку на довгий рукав та міцне взуття

- У жодному разі не використовуйте інструмент, якщо не встановлено або пошкоджено обмежувач ходу
- Категорично заборонено використовувати інструмент безпосередньо поблизу інших людей (особливо дітей) і тварин
- Не працюйте з інструментом, якщо втомилися, погано себе почуваєте або приймали наркотичні речовини, алкоголь чи лікарські засоби

ЕЛЕКТРИЧНА БЕЗПЕКА

- Перед роботою перевірте відповідність струму в мережі із струмом, позначені на інструменті (інструменти, розраховані на 230В або 240В, також можуть підключатися до мережі 220В)
- Періодично оглядайте шнур та зйом повинен замінити кваліфікований фахівець у випадку пошкодження
- Періодично оглядайте подовжувач та замініть його у разі пошкодження (**використовувати невідповідний подовжувач небезпечно**)
- Використовуйте тільки подовжувач, який призначено для зовнішніх робіт та обладнано водозахисною штепсельною розеткою
- Використовуйте повністю розгорнений шнур подовжувача, який може витримувати навантаження в 16 Ампер
- Під час роботи у вологих умовах використовуйте пристрій захисного вимикання (ПЗВ) з максимальним пусковим струмом 30 мА
- Не наступайте на подовжувач, не натискайте на нього та не тягніть його
- Захищайте продовжувач від джерел тепла, оливи та гострих країв
- Не допускайте, щоб (подовжувальний) шнур потрапляв під обертову щітку
- У разі розривання, пошкодження або заплутування силового шнура чи продовжувача, вимкніть інструмент і витягніть вилку з розетки (**не торкайтесь шнура, доки вилка вставлена у розетку**)

ЩІТКИ

- SKIL гарантує надійну роботу інструмента тільки при використанні відповідного приладдя
- Використовуйте тільки щітки, максимальна швидкість обертання яких ("RPM") перевищує величину, зазначену на інструменті
- Використовуйте лише щітки з максимальним діаметром 100 мм
- Не використовуйте зношені щітки
- Сліди іржі та інші ознаки хімічних та механічних видозмін матеріалу, на який нанесене різьблення, що утримує щітку, може спричинити передчасні збої в роботі щітки
- Зберігайте щітки в придатних місцях, де вони будуть захищені від впливу наступних факторів:
 - висока атмосферна вологість, висока температура повітря, вода та інші рідини, які можуть пошкодити щітку
 - кислоти та кислотні випари, які можуть пошкодити щітку
 - низька температура повітря, яка спричиняє утворення конденсату на щітці, якщо вона до цього зберігалася у приміщенні з високою температурою
 - деформація якої-небудь частини щітки

ПЕРЕД ВИКОРИСТАННЯМ

- Користуватися інструментом можна лише за достатнього денного чи відповідного штучного освітлення
- Перевіряйте справність інструменту перед кожним використанням або після удару; у разі, якщо виявлено несправність, негайно здайте його у ремонт кваліфікованим фахівцем (у жодному разі не розкривайте інструмент самостійно)
- Перед тим, як вмикати прилад, приберіть налагоджувальні інструменти та гайковий ключ (**знаходження налагоджувального інструмента або ключа в деталі, що обертається, може призводити до травм**)
- Перш, ніж підрізати, ретельно огляньте газон і приберіть будь-які сторонні предмети, у яких можуть застрягнути різальні леза (як, наприклад, каміння, обламани сучки і т.п.)

ПІД ЧАС ВИКОРИСТАННЯ

- Під час використання тримайте інструмент вертикально так, щоб щітка була спрямована в землю (**в жодному разі не вмикайте інструмент в іншому положенні**)
- Працюючи з інструментом, рухайтесь нешвидко розміреною ходюю (не біжіть)
- Не переходьте дорогу або траєвію доріжку з увімкнутим інструментом у руках
- Не відволікайтесь і завжди стежте за своєю роботою
- Не допускайте потрапляння осколків у вентиляційні отвори

ПІСЛЯ ВИКОРИСТАННЯ

- Щітка продовжує обертатися деякий час після вимикання інструмента (**не торкайтесь щітки, що обертається**)
- Завжди витягуйте вилку з мережевої розетки
 - коли залишаєте інструмент без нагляду
 - перед тим, як виймати застрягли предмети
 - перед тим, як оглядати, очищувати інструмент або проводити з ним інші операції
 - у разі потрапляння на сторонній предмет
 - якщо інструмент починає засильно вібрувати
- Перед тим як покласти інструмент, вимкніть двигун та переконайтесь, що всі його рухомі частини повністю зупинились
- Зберігайте інструмент у приміщенні в сухому, не доступному для дітей місці

ПОЯСНЕННЯ ДО УМОВНИХ ПОЗНАЧОК НА ІНСТРУМЕНТІ

- ③ **Увага!** Ознайомтеся з інструкцією експлуатування
- ④ Виключіть можливість потрапляння на інструмент дощу
- ⑤ Одягайте захисні окуляри та засоби захисту волосся
- ⑥ **Остерігайтесь осколків, які відлітають** (люди довкола мають перебувати на безпечній відстані від місця прибирання)
- ⑦ Тримайте руки та ноги на безпечній відстані від деталей, які обертаються
- ⑧ У разі, якщо пошкодився або заплутався подовжувач або силовий шнур, перед тим, як розплутувати чи ремонтувати його, вимкніть пристрій та витягніть вилку з розетки
- ⑨ Подвійна ізоляція (заземлюючий провід не потрібен)
- ⑩ Не викидайте інструмент разом зі звичайним сміттям

ВИКОРИСТАННЯ

- Інструкції зі збирання
 - ! **завжди витягуйте штепсельну вилку з розетки, перш ніж встановлювати/знімати щітку**
 - опустіть захисну кришку А на корпус двигуна, як показано на малюнку, щоб вона стала на місце з клацанням ⑪
 - встановіть колесо В на корпус двигуна, як показано на малюнку, щоб воно стало на місце з клацанням ⑫
 - натисніть кнопку блокування шпинделя С і утримуйте її, ослаблюючи гайку патрона D за допомогою ключа Е ⑬
 - встановіть щітку F так, щоб її центр співпав з індикатором щітки G
 - затягніть гайку патрона D ключем Е, утримуючи кнопку блокування шпинделя С
 - ! **замініть щітку, якщо вона має ознаки зношення (номер допоміжного приладдя SKIL 2610Z02973)**
- Регулювання висоти ⑭
 - послабте фіксаторну втулку H, повернувши її за годинниковою стрілкою
 - ! **при першому використанні щітки поверніть ручку K на 90°, ослабивши для цього фіксаторну втулку H**
 - витягніть штангу J на потрібну висоту
 - затягніть фіксаторну втулку H, повернувши її проти годинникової стрілки
 - ! **розкладайте/складайте трубку для отримання потрібної висоти, не докладаючи надмірних зусиль**
- Обмежувач шнура ⑮
 - перекиньте кільце подовжувача через обмежувач, як показано на малюнку L
 - щоб зафіксувати шнур, сильно потягніть
- Вмикання/вимикання ⑯
 - ввімкніть інструмент тригерним курка-перемикачем M
 - вимкніть інструмент відпустивши курка-перемикача M
 - ! **після вимикання інструмента щітка продовжує обертатися протягом кількох секунд**
 - перед тим як знову вмикає інструмент, почекайте, доки щітка зупиниться
 - ! **не вмикайте та не вимикайте інструмент швидко**
- Перед використанням інструмента
 - упевніться, що щітка F ⑬ встановлена правильно, і що гайка патрона D ⑬ добре затягнена
 - увімкніть для проби інструмент принаймні на 30 секунд на найвищих оборотах без навантаження, тримаючи його у безпечній позиції
 - негайно вимкніть інструмент у випадку значної вібрації або інших дефектів і перевірте інструмент щоб визначити причину
- Зрізання бур'яну
 - ! **риберіть з газону камені, уламки й інші сторонні предмети**
 - упевніться, що нижня частина інструмента розміщена горизонтально
 - починайте роботу тільки після запускання двигуна

- починайте роботу біля мережевої розетки, а потім рухайтесь далі
- не підводьте інструмент до твердих предметів, куців та дерев
- не застосовуйте інструмент на одному місці протягом довгого часу
- не перевантажуйте інструмент
- Утримування і робота інструментом ⑰
 - добре тримайте інструмент однією рукою
 - ведіть інструмент з постійною швидкістю по ділянці, що оброблюється
 - під час роботи займайте стійке положення
 - завжди тримайте інструмент від себе

ПОРАДИ ПО ВИКОРИСТАННЮ

- Для досягнення найкращого результату випробуйте інструмент на маленькій ділянці та перевірте, чи не пошкоджує інструмент плитку
- Регулярне зрізання бур'яну допоможе попередити його сильне розростання
- Див додаткову інформацію на www.skil.com

ДОГЛЯД/ОБСЛУГОВУВАННЯ

- Цей інструмент не придатний для промислового використання
- Завжди тримайте інструмент та його шнур у чистоті
 - ! **перед чистою інструменту необхідно роз'єднати штепсельний роз'єм**
 - регулярно очищуйте вентиляційні отвори N ②, використовуючи м'яку тканину
 - регулярно видаляйте забруднення з обмежувача ходу A ②, використовуючи м'яку щітку
- Зберігання ⑱
 - зберігати інструмент у **приддатних** в сухому, не доступному для дітей місці
 - надійно закріпіть підвіску P на стіні за допомогою 4 гвинтів (**не входять у комплект постачання**), вирівнявши їх по горизонталі
- Якщо незважаючи на ретельну технологію виготовлення і перевірки інструмент все-таки вийде з ладу, його ремонт дозволяється виконувати лише в авторизованій сервісній майстерні для електроприладів SKIL
 - надішліть **нерозібраний** інструмент разом з доказом купівлі до Вашого дилера або до найближчого центру обслуговування SKIL (адреси, а також діаграма обслуговування пристрою, подаються на сайті www.skil.com)

УСУНЕННЯ НЕПОЛАДОК

- Нижче наведено перелік несправностей, їх можливих причин і корективних дій (якщо за їх допомогою вирішити проблему не вдається, зверніться до дилера або у сервісний центр)
 - ! **перед тим як шукати несправність, вимкніть інструмент і витягніть вилку**
- ★ Інструмент не працює
 - пошкодження розетки живлення -> використовуйте іншу розетку
 - пошкоджено подовжувач -> замініть подовжувач
 - неправильно встановлена щітка -> ще раз встановіть щітку

- ★ Інструмент періодично вимикається
 - пошкоджено внутрішню проводку -> зверніться до дилера або у сервісний центр
 - пошкоджено вимикач живлення -> зверніться до дилера або у сервісний центр
- ★ Бур'ян зрізується неповністю
 - щітка пошкодилась/зносилась -> замініть щітку

ОХОРОНА НАВКОЛИШНЬОЇ СЕРЕДИ

- **Не викидайте електроінструмент, належності та упаковку разом зі звичайним сміттям** (тільки для країн ЄС)
 - відповідно до європейської директиви 2012/19/ЄС щодо утилізації старих електричних та електронних приладів, в залежності з місцевим законодавством, електроінструмент, який перебував в експлуатації повинен бути утилізований окремо, безпечним для навколишнього середовища шляхом
 - малюнок 10 нагадує вам про це

ДЕКЛАРАЦІЯ ПРО ВІДПОВІДНІСТЬ СТАНДАРТАМ СЕ

- Ми заявляємо під нашу виключну відповідальність, що описаний в "Технічні дані" продукт відповідає таким нормам або нормативним документам: EN 60335, EN 61000, EN 55014 у відповідності до положень директив 2006/95/EG, 2004/108/EG, 2006/42/EG, 2000/14/EG, 2011/65/EC
- **Технічні документи в:** SKIL Europe BV (PT-SEU/ENG1), 4825 BD Breda, NL

Marijn van der Hoofden
Operations & Engineering

Olaf Dijkgraaf
Approval Manager

SKIL Europe BV, 4825 BD Breda, NL

19.12.2013

CE11

ШУМ/ВІБРАЦІЯ

- Зміряний відповідно до EN 60335 рівень тиску звуку даного інструменту 68 дБ(А) і потужність звуку 88 дБ(А) (стандартне відхилення: 3 дБ), і вібрація 3,2 м/с² (ручна методика; похибка K = 1,5 м/с²)
- Гарантований рівень звукової потужності LWA, який виміряно згідно зі стандартом 2000/14/EG (EN/ISO 3744) нижчий за 91 дБ(А) (процедура оцінки відповідності згідно з Додатком VI) Уповноважений орган: КЕМА, Arnhem, NL Ідентифікаційний номер уповноваженого органу: 0344
- Рівень вібрації було виміряно у відповідності зі стандартизованим випробуванням, що міститься в EN 60335; дана характеристика може використовуватися для порівняння одного інструмента з іншим, а також для попередньої оцінки впливу вібрації під час застосування даного інструмента для вказаних цілей
 - при використанні інструмента в інших цілях або з іншими/несправними допоміжними пристосуваннями рівень впливу вібрації може значно підвищуватися

- у періоди, коли інструмент вимкнений або функціонує без фактичного виконання роботи, рівень впливу вібрації може значно **знижуватися**
- ! **захищайте себе від впливу вібрації, підтримуючи інструмент у його допоміжні пристосування в справному стані, підтримуючи руки в теплі, а також правильно організовуючи свій робочий процес**

GR

Βούρτσα χόρτων

0700

ΕΙΣΑΓΩΓΗ

- Αυτό το εργαλείο είναι σχεδιασμένο για την αφαίρεση χόρτων από δώματα και ανάμεσα σε πλάκες
- Αυτό το εργαλείο δεν προορίζεται για επαγγελματική χρήση
- Βεβαιωθείτε ότι η συσκευασία περιέχει όλα τα εξαρτήματα που απεικονίζονται στο σχέδιο ②
- Όταν κάποια εξαρτήματα λείπουν ή έχουν φθορές, παρακαλούμε επικοινωνήστε με τον αντιπρόσωπό σας
- **Διαβάστε προσεκτικά τις οδηγίες πριν από τη χρήση και φυλάξτε τις για μελλοντική αναφορά** ③
- **Δώστε ιδιαίτερη προσοχή στις οδηγίες ασφαλείας και στις προειδοποιήσεις - η μη τήρηση αυτών των οδηγιών και προειδοποιήσεων θα μπορούσε να προκαλέσει σοβαρές σωματικές βλάβες**

ΤΕΧΝΙΚΑ ΧΑΡΑΚΤΗΡΙΣΤΙΚΑ ①

ΜΕΡΗ ΤΟΥ ΕΡΓΑΛΕΙΟΥ ②

- A Προφυλακτήρας κοπτικού
- B Τροχός
- C Κομπί ασφαλίσης της άτρακτου
- D Παξιμάδι μηχανισμού σύσφιξης
- E Κλειδί
- F Βούρτσα
- G Ενδείκτης βούρτσας
- H Κέλυφος μανδάλωσης
- J Τηλεσκοπικός βραχίονας
- K Χειρολαβή
- L Υποδοχή καλωδίου
- M Διακόπτης σκανδάλης
- N Σχισμές αερισμού
- P Ράγα αποθήκευσης (δεν παρέχονται οι βίδες)

ΑΣΦΑΛΕΙΑ

ΕΙΔΙΚΕΣ ΟΔΗΓΙΕΣ ΑΣΦΑΛΕΙΑΣ ΓΙΑ ΒΟΥΡΤΣΕΣ ΧΟΡΤΟΥ

ΓΕΝΙΚΑ

- Να εξοικειωθείτε με τα χειριστήρια και τη σωστή χρήση του εργαλείου
- Ο χρήστης είναι υπεύθυνος για ατυχήματα ή κινδύνους που μπορεί να συμβούν σε άλλα άτομα ή ιδιοκτησίες
- Να χρησιμοποιείτε το εργαλείο μόνο όταν η θερμοκρασία περιβάλλοντος είναι μεταξύ 0°C και 40°C

- Ποτέ μην τοποθετείτε μεταλλικά κοπτικά εξαρτήματα επάνω σ' αυτό το εργαλείο
- Μη χρησιμοποιείτε το εργαλείο για την αφαίρεση βρεγμένων χόρτων

ΑΣΦΑΛΕΙΑ ΠΡΟΣΩΠΩΝ

- Το εργαλείο αυτό δεν προορίζεται για χρήση από άτομα (συμπεριλαμβανομένων παιδιών) με μειωμένες φυσικές, αισθητικές ή νοητικές ικανότητες, ή από άτομα χωρίς εμπειρία ή γνώση, εκτός και αν επιβλέπονται ή εάν τους έχουν δοθεί οδηγίες σχετικά με τη χρήση του εργαλείου από άτομα υπεύθυνα για την ασφάλειά τους
- Βεβαιωθείτε ότι τα παιδιά δεν παίζουν με το εργαλείο
- Ποτέ μην αφήνετε να χρησιμοποιείται το εργαλείο από παιδιά ή άτομα που δεν έχουν εξοικειωθεί με τις οδηγίες λειτουργίας του
- Πάντα να φοράτε προστατευτικά για τα μάτια, μακριά παντελόνια και υποδήματα βαρέως τύπου κατά το χειρισμό του εργαλείου
- Ποτέ μη χειρίζεστε το εργαλείο εάν ο προφυλακτήρας έχει ζημιά ή αν δεν είναι καθόλου τοποθετημένος
- Ποτέ μη χειρίζεστε το εργαλείο πολύ κοντά σε άλλα άτομα και να διακόπτετε τη χρήση του εργαλείου όταν πλησιάζουν άλλα άτομα (ειδικά παιδιά) ή κατοικίδια ζώα
- Ποτέ μη χειρίζεστε το εργαλείο εάν είστε κουρασμένοι, αδιάθετοι ή υπό την επίπραξη ναρκωτικών ουσιών, αλκοόλ ή φαρμακευτικών ουσιών

ΗΛΕΚΤΡΙΚΗ ΑΣΦΑΛΕΙΑ

- Βεβαιωθείτε ότι η τάση του παρεχόμενου ρεύματος είναι ίδια με την τάση που υποδεικνύεται στην πινακίδα δεδομένων του εργαλείου (εργαλεία που φέρουν την ένδειξη 230V ή 240V μπορούν να συνδεθούν επίσης σε πρίζα 220V)
- Ελέγχετε τακτικά το καλώδιο και σε περίπτωση βλάβης, φροντίστε να αντικατασταθούν από εξειδικευμένο άτομο
- Να επιθεωρείτε κατά διαστήματα τόν καλώδιο προέκτασης και να το αντικαταστήσετε εάν έχει ζημιά (το ακατάλληλο καλώδιο προέκτασης κρύβει κινδύνους)
- Χρησιμοποιείτε μόνο προέκταση καλωδίου κατάλληλη για υπαίθρια χρήση και εξοπλισμένη με αδιάβροχο φικ και πρίζα σύνδεσης
- Χρησιμοποιείτε ασφαλείς, τελειώς ξετυλιγμένες προεκτάσεις καλωδίου με χωρητικότητα 16 Amps
- Κατά το χειρισμό του εργαλείου σε υγρό περιβάλλον, να χρησιμοποιείτε συσκευή προστασίας εάν το καλώδιο ρεύματος (RCD) με ρεύμα ενεργοποίησης 30 mA το μέγιστο
- Μην πατάτε, μην συμπιέζετε και μην τραβάτε το καλώδιο (προέκτασης)
- Προστατέψτε το καλώδιο (προέκτασης) από θερμότητα, τα λάδια και τα αιχμηρά άκρα
- Φροντίστε το καλώδιο ή τη μπαλαντέζα να βρίσκονται μακριά από την περιστρεφόμενη βούρτσα
- Πάντα να σβήνετε το εργαλείο και να αποσυνδέετε το φικ από την τροφοδοσία ρεύματος εάν το καλώδιο τροφοδοσίας ρεύματος ή η μπαλαντέζα είναι κομμένη, φθαρμένη ή κουβαριασμένη (**μην ακουμπάτε το καλώδιο πριν από την αποσύνδεση του φικ**)

ΒΟΥΡΤΣΕΣ

- Η SKIL εγγυάται την τέλεια λειτουργία του εργαλείου μόνο όταν χρησιμοποιούνται αυθεντικά εξαρτήματα
- Να τοποθετείτε μόνο βούρτσες των οποίων η μέγιστη ταχύτητα ("RPM") είναι υψηλότερη από τις στροφές ανά λεπτό που αναφέρονται επάνω στο εργαλείο
- Να χρησιμοποιείτε βούρτσες με διάμετρο το πολύ 100 mm
- Μη χρησιμοποιείτε φθαρμένες βούρτσες
- Σημάδια σκουριάς ή άλλες ενδείξεις χημικής ή μηχανικής αλλοίωσης του υλικού που συγκρατεί τις τρίχες της βούρτσας μπορεί να προκαλέσουν πρόωγη δυσλειτουργία της βούρτσας
- Να αποθηκεύετε τις βούρτσες σε κατάλληλο σημείο και με τέτοιο τρόπο ώστε να προστατεύονται από τις παρακάτω επιδράσεις:
 - υψηλή ατμοσφαιρική υγρασία, θερμότητα, νερό ή άλλα υγρά τα οποία ενδέχεται να προκαλέσει βλάβη στη βούρτσα
 - οξέα ή ατμοί οξέων, οι οποίοι ενδέχεται να προκαλέσουν βλάβη στη βούρτσα
 - χαμηλές θερμοκρασίες περιβάλλοντος οι οποίες προκαλούν υδρατμούς επάνω στη βούρτσα όταν αποθηκεύεται σε ένα χώρο με υψηλότερες θερμοκρασίες περιβάλλοντος
 - παραμόρφωση οποιουδήποτε τμήματος της βούρτσας

ΠΡΙΝ ΑΠΟ ΤΗ ΧΡΗΣΗ

- Να χρησιμοποιείτε το εργαλείο μόνο στο φως της ημέρας ή με κατάλληλο τεχνητό φωτισμό
- Ελέγξτε τη λειτουργία του εργαλείου πριν από κάθε χρήση και μετά από κτύπημα, και σε περίπτωση βλάβης, να το παραδώσετε για επισκευή σε κάποιο εξειδικευμένο άτομο (ποτέ μην ανοίγετε μόνοι σας το εργαλείο)
- Αφαιρέτε από τα ηλεκτρικά εργαλεία πριν τα θέσετε σε λειτουργία τυχόν συναρμολογημένα χρησιμοποιήσιμα εργαλεία ή κλειδιά (**ενα εργαλείο ή κλειδί συναρμολογημένο στο περιστρεφόμενο εξάρτημα ενός ηλεκτρικού εργαλείου μπορεί να οδηγήσει σε τραυματισμούς**)
- Πριν από τη χρήση να ελέγχετε προσεκτικά την περιοχική κοπής και να αφαιρέτε τυχόν αντικείμενα πάνω στα οποία είναι πιθανόν να κτυπήσει το εργαλείο κατά την κοπή (όπως πέτρες, κομμάτια ξύλου κλπ.)

ΚΑΤΑ ΤΗ ΧΡΗΣΗ

- Να χρησιμοποιείτε το εργαλείο μόνο σε κατακόρυφη θέση, με τη βούρτσα στραμμένη προς το έδαφος (**ποτέ μην ενεργοποιείτε το εργαλείο σε οποιαδήποτε άλλη θέση**)
- Να χειρίζεστε το εργαλείο μόνο σε ρυθμό βαδίσματος (μην τρέχετε)
- Μη διασχίζετε δρόμους ή χαλικόστρωτα μονοπάτια με το εργαλείο σε λειτουργία
- Μην αφαιρέσετε, να είστε πάντα συγκεντρωμένοι στην εργασία σας
- Να φροντίζετε πάντα τα ανοίγματα εξερισμού να παραμένουν καθαρά από σκουπίδια

ΜΕΤΑ ΤΗ ΧΡΗΣΗ

- Η βούρτσα συνεχίζει να περιστρέφεται για μικρό χρονικό διάστημα μετά το σβήσιμο του εργαλείου (**μην αγγίζετε την περιστρεφόμενη βούρτσα**)

- Πάντα να αποσυνδέετε το φιν από την πηγή ρεύματος
 - οποτεδήποτε αφήνετε το εργαλείο χωρίς επιτήρηση
 - πριν από τον καθαρισμό των σφηνωμένων υλικών
 - πριν από τον έλεγχο, τον καθαρισμό ή την εργασία με το εργαλείο
 - μετά από κάποιο κτύπημα σε ξένο αντικείμενο
 - οποτεδήποτε το εργαλείο αρχίζει να παρουσιάζει ανικαντικούς κραδασμούς
- Πριν ακουμπήσετε κάτω το εργαλείο, σβήστε το μοτέρ και βεβαιωθείτε ότι όλα τα κινούμενα μέρη έχουν σταματήσει τελείως
- Αποθηκεύστε το εργαλείο σε εσωτερικούς χώρους σε μέρος δροσερό και κλειδωμένο, μακριά από παιδιά

ΕΠΕΞΗΓΗΣΗ ΤΩΝ ΣΥΜΒΟΛΩΝ ΣΤΟ ΕΡΓΑΛΕΙΟ

- ③ **Προειδοποίηση!** Διαβάστε το χειρίδιο χειρισμού
- ④ Μην εκθέτετε το εργαλείο στη βροχή
- ⑤ Να φοράτε προστατευτικά γυαλιά και προστατευτικά μέσα ακοής
- ⑥ **Προσέξτε για τον κίνδυνο τραυματισμού λόγω εκτοξευόμενων σκουπιδιών** (φροντίστε οι παριστάμενοι να βρίσκονται σε ασφαλή απόσταση από την περιοχή εργασίας)
- ⑦ Τα χέρια και τα πόδια σας πρέπει πάντα να βρίσκονται μακριά από τα περιστροφόμενα μέρη
- ⑧ Σβήστε να αποσυνδέετε το φιν πριν από τον καθαρισμό / συντήρηση ή εάν η μπαλαντζά είναι χαλασμένη ή κουβαριασμένη
- ⑨ Διπλή μόνωση (δεν απαιτείται καλώδιο γείωσης)
- ⑩ Μην πετάτε το εργαλείο στον κάδο οικιακών απορριμμάτων

ΧΡΗΣΗ

- Οδηγίες συναρμολόγησης
 - ! **πάντα να αποσυνδέετε το φιν προτού τοποθετήσετε ή αφαιρέσετε τη βούρτσα**
 - σύρετε τον προφυλακτήρα Α επάνω από το περιβλήμα του μοτέρ όπως εικονίζεται, μέχρι να κουμπώσει στη θέση του ①
 - τοποθετήστε τον τροχό Β επάνω στο περιβλήμα του μοτέρ όπως εικονίζεται, μέχρι να κουμπώσει στη θέση του ②
 - πιέστε το κουμπί C της ασφάλισης της ατράκτου και κρατάτε το πατημένο καθώς λασκάρете το παξιμάδι D του μηχανισμού σύσφιξης με το κλειδί E ③
 - τοποθετήστε τη βούρτσα F με το κέντρο της να είναι ευθυγραμμισμένο με τον ενδείκτη της βούρτσας G
 - σφίξτε το παξιμάδι D με το κλειδί E, πιέζοντας ταυτόχρονα το κουμπί ασφάλισης της ατράκτου C
 - ! **αντικαταστήστε τη βούρτσα εάν είναι φθαρμένη (αριθμός εξαρτήματος SKIL 2610Z02973)**
- Ρύθμιση ύψους ⑭
 - λύστε το χιτώνιο ασφάλισης Η στρέφοντας το δεξιόστροφα
 - ! **κατά τη χρήση του εργαλείου για πρώτη φορά, περιστρέψτε τη χειρολαβή κατά Κ 90° μετά από το λύσιμο του χιτωνίου ασφάλισης Η**
 - προεκτείνετε το σωλήνα J στο επιθυμητό ύψος
 - σφίξτε το χιτώνιο ασφάλισης Η στρέφοντας το αριστερόστροφα
 - ! **μην ζορίζετε το εργαλείο κατά την έκταση/μάζεμα του σωλήνα στο επιθυμητό ύψος**

- Υποδοχή καλωδίου ⑮
 - κρεμάστε τη θηλιά του καλωδίου προέκτασης επάνω απ' την υποδοχή L όπως εικονίζεται
 - τραβήξτε γερά για να στερεωθεί το καλώδιο προέκτασης
- Εκκίνηση/Σταση ⑯
 - ενεργοποιήστε το εργαλείο πατώντας το διακόπτη σκανδάλης M
 - απενεργοποιήστε το εργαλείο αφήνοντας το διακόπτη σκανδάλης M
 - ! **μετά το σβήσιμο του εργαλείου, η βούρτσα θα συνεχίσει να περιστρέφεται για μερικά δευτερόλεπτα**
 - αφήστε να σταματήσει η βούρτσα την περιστροφή της πριν από το εκ νέου άναμμα
 - ! **μην αναβοσβήνετε απότομα το εργαλείο**
- Προτού χρησιμοποιήσετε το εργαλείο
 - βεβαιωθείτε ότι η βούρτσα F ⑬ είναι σωστά τοποθετημένη και ότι το παξιμάδι D ⑬ έχει σφίξει γερά
 - δοκιμάστε το εργαλείο τουλάχιστον για 30 δευτερόλεπτα δουλεύοντάς το στη μέγιστη ταχύτητα χωρίς φορτίο, από ασφαλή θέση
 - σταματήστε αμέσως το εργαλείο σε περίπτωση σοβαρής δόνησης ή άλλης ελλατωματικής λειτουργίας και ελέγξτε το για να εξακριβωθεί η αιτία
- Αφαίρεση χόρτων
 - ! **βεβαιωθείτε ότι η περιοχή κοπής δεν περιέχει πέτρες, μπάζα ή άλλα αντικείμενα**
 - βεβαιωθείτε ότι η κάτω πλευρά του εργαλείου παραμένει σε οριζόντια θέση
 - αρχίστε την εργασία μόνο εφόσον το μοτέρ είναι σε λειτουργία
 - αρχίστε την εργασία κοντά στην πρίζα παροχής ρεύματος και απομακρυνθείτε όσο εργάζεστε
 - φροντίστε το εργαλείο να παραμένει μακριά από στερεά αντικείμενα και φυτά
 - μην χρησιμοποιείτε το εργαλείο για υπερβολικό διάστημα στο ίδιο σημείο
 - μην υπερφορτώνετε το εργαλείο
- Πώς να κρατάτε και να οδηγείτε το εργαλείο ⑰
 - κρατήστε το εργαλείο δυνατά με το ένα χέρι
 - οδηγήστε το εργαλείο με σταθερή ταχύτητα επάνω από την επιφάνεια στην οποία θα εργαστείτε
 - κρατηθείτε σε σταθερή θέση εργασίας
 - πάντα να κρατάτε το εργαλείο σε αρκετή απόσταση από το σώμα σας

ΟΔΗΓΙΕΣ ΕΦΑΡΜΟΓΗΣ

- Για τέλεια αποτελέσματα κάντε μία δοκιμή με το εργαλείο σε ένα μικρό τμήμα της επιφάνειας και βεβαιωθείτε ότι τα πλακίδια δεν παθαίνουν ζημιά
- Το τακτικό ξεχορτάρισμα συμβάλλει στην απαλλαγή από τα επίμονα αγριόχορτα
- Για περισσότερες συμβουλές δείτε www.skil.com

ΣΥΝΤΗΡΗΣΗ / ΣΕΡΒΙΣ

- Αυτό το εργαλείο δεν προορίζεται για επαγγελματική χρήση

- Κρατάτε πάντοτε το εργαλείο και το καλώδιο καθαρά ! **αφαιρέστε την πρίζα πριν το καθάρισμα**
 - να καθαρίζετε τακτικά τις θυρίδες εξεαριισμού N ② με μαλακό πανί
 - να αφαιρείτε τακτικά τις ακαθαρσίες από τον προφυλακτικό κοπής A ② με μαλακή βούρτσα
- Αποθήκευση ⑩
 - αποθηκεύστε το εργαλείο **σε εσωτερικούς χώρους** σε μέρος δροσερό και κλειδωμένο, μακριά από παιδιά
 - να στερεώστε καλά στον τοίχο τη ράγα αποθήκευσης P με 4 βίδες (**δεν παρέχονται**) και να την οριζοντιώσετε
- Αν παρ' όλης της επιμελημένης μεθόδου κατασκευής κι ελέγχου του εργαλείου σταματήσει κάποτε να λειτουργεί, τότε η επισκευή του πρέπει να ανατεθεί σ' ένα εξουσιοδοτημένο συνεργείο για ηλεκτρικά εργαλεία της SKIL
 - στείλτε το εργαλείο **χωρίς να το αποσυναρμολογήσετε** μαζί με την απόδειξη αγοράς στο κατάστημα από το οποίο το αγοράσατε ή στον πλησιέστερο σταθμό τεχνικής εξυπηρέτησης της SKIL (θα βρείτε τις διευθύνσεις και το διάγραμμα συντήρησης του εργαλείου στην ιστοσελίδα www.skil.com)

ΑΝΤΙΜΕΤΩΠΙΣΗ ΠΡΟΒΛΗΜΑΤΩΝ

- Στον παρακάτω κατάλογο παρατίθενται συμπτώματα βλαβών, πιθανές αιτίες και επανορθωτικές ενέργειες (εάν με αυτά δεν εντοπιστεί και αποκατασταθεί το πρόβλημα, επικοινωνήστε με τον αντιπρόσωπο ή το κέντρο σέρβις)
 - ! **πριν από τη διερεύνηση του προβλήματος, κλείστε το διακόπτη του εργαλείου και βγάλτε το από την πρίζα**
- ★ Το εργαλείο δε λειτουργεί
 - υπάρχει πρόβλημα στην πρίζα -> χρησιμοποιήστε άλλη πρίζα
 - το καλώδιο προέκτασης έχει ζημιά -> αντικαταστήστε το καλώδιο προέκτασης
 - η βούρτσα είναι εσφαλμένα τοποθετημένη -> ξαναβάλτε τη βούρτσα
- ★ Το εργαλείο κάνει διακοπές
 - ελαττωματική εσωτερική καλωδίωση -> επικοινωνήστε με τον αντιπρόσωπο ή το κέντρο σέρβις
 - ελαττωματικός διακόπτης on/off -> επικοινωνήστε με τον αντιπρόσωπο ή το κέντρο σέρβις
- ★ Τα χόρτα δεν έχουν αφαιρεθεί τελείως
 - η βούρτσα είναι χαλασμένη ή φθαρμένη -> αντικαταστήστε τη βούρτσα

ΠΕΡΙΒΑΛΛΟΝ

- **Μην πετάτε τα ηλεκτρικά εργαλεία, εξαρτήματα και συσκευασία στον κάδο οικιακών απορριμμάτων** (μόνο για τις χώρες της ΕΕ)
 - σύμφωνα με την ευρωπαϊκή οδηγία 2012/19/ΕΚ περί ηλεκτρικών και ηλεκτρονικών συσκευών και την ενσωματωσή της στο εθνικό δίκαιο, τα ηλεκτρικά εργαλεία πρέπει να συλλέγονται ξεχωριστά και να επιστρέφονται για ανακύκλωση με τρόπο φιλικό προς το περιβάλλον
 - το σύμβολο ⑩ θα σας το θυμίζει αυτό όταν έλθει η ώρα να πετάξετε τις

ΔΗΛΩΣΗ ΣΥΜΜΟΡΦΩΣΗΣ CE

- Δηλώνουμε υπευθύνως ότι το προϊόν που περιγράφεται στα "Τεχνικά χαρακτηριστικά" εκπληρώνει τους εξής κανονισμούς ή κατασκευαστικές συστάσεις: EN 60335, EN 61000, EN 55014 σύμφωνα με τις διατάξεις των οδηγιών 2006/95/ΕΚ, 2004/108/ΕΚ, 2006/42/ΕΚ, 2000/14/ΕΚ, 2011/65/ΕΕ
- **Τεχνικός φάκελος από:** SKIL Europe BV (PT-SEU/ENG1), 4825 BD Breda, NL

Marijn van der Hoofden Olaf Dijkgraaf
Operations & Engineering Approval Manager

SKIL Europe BV, 4825 BD Breda, NL

19.12.2013

CE11

ΘΟΡΥΒΟ/ΚΡΑΔΑΣΜΟΣ

- Μετρημένη σύμφωνα με EN 60335 η στάθμη ακουστικής πίεσης αυτού του εργαλείου ανέρχεται σε 68 dB(A) και η στάθμη ηχητικής ισχύος σε 88 dB(A) (κοινή απόκλιση: 3 dB), και ο κραδασμός σε 3,2 m/s² (μεθοδος χειρός/βραχίονα - ανασφάλεια K = 1,5 m/s²)
- Μέτρηση σύμφωνα με το 2000/14/EC (EN/ISO 3744) η εγγυημένη στάθμη ηχητικής ισχύος LWA είναι χαμηλότερη των 91 dB(A) (διαδικασία αξιολόγησης της Δήλωσης συμβατότητας σύμφωνα με το παράρτημα VI) Αρμόδιος φορέας : KEMA, Arnhem, NL
Αρ. πρωτοκόλλου αρμόδιου φορέα : 0344
- Το επίπεδο παραγωγής κραδασμών έχει μετρηθεί σύμφωνα με μια τυποποιημένη δοκιμή που αναφέρεται στο πρότυπο EN 60335 - μπορεί να χρησιμοποιηθεί για τη σύγκριση ενός εργαλείου με ένα άλλο, καθώς και ως προκαταρκτική αξιολόγηση της έκθεσης στους κραδασμούς όταν το εργαλείο χρησιμοποιείται για τις εφαρμογές που αναφέρονται
 - η χρήση του εργαλείου για διαφορετικές εφαρμογές ή με διαφορετικά ή κακοσυντηρημένα εξαρτήματα μπορεί να **αυξήσει** σημαντικά το επίπεδο έκθεσης
 - όταν το εργαλείο είναι απενεργοποιημένο ή δουλεύει αλλά δεν εκτελεί την εργασία, το επίπεδο έκθεσης μπορεί να **μειωθεί** σημαντικά
- ! **προστατεύετε από τις επιδράσεις των κραδασμών συντηρώντας σωστά το εργαλείο και τα εξαρτήματά του, διατηρώντας τα χέρια σας ζεστά και οργανώνοντας τον τρόπο εργασίας σας**

RO

Perie pentru buruieni

0700

INTRODUCERE

- Acest instrument a fost proiectat pentru îndepărtarea buruienilor de pe terase și dintre dale
- Această sculă nu este destinată utilizării profesionale
- Verificați dacă ambalajul conține toate componentele așa cum se ilustrează în desenul ②

- În cazul în care lipsesc piese sau acestea sunt deteriorate, contactați distribuitorul
- **Citiți cu atenție acest manual de instrucțiuni înainte de utilizare și păstrați-l pentru consultare ulterioară** ③
- **Acordați o atenție specială instrucțiunilor de securitate și avertizare; neglijarea acestora poate duce la vătămări grave**

DATE TEHNICE ①

ELEMENTELE SCULEI ②

- A Protecție pentru tăiere
- B Roată
- C Buton de blocare a axului
- D Bucșa mandrinei
- E Cheie
- F Perie
- G Indicator perie
- H Manșon de blocare
- J Tub telescopic
- K Mâner
- L Clemă de prindere cablu
- M Întrerupător trăgaci
- N Fantele de ventilație
- P Șină de depozitare (nu se furnizează împreună cu șuruburile)

SIGURANȚA

INSTRUCȚIUNI DE SIGURANȚĂ SPECIFICE PENTRU PERII PENTRU BURUIENI

GENERALITĂȚI

- Familiarizați-vă cu comenzile și cu utilizarea corespunzătoare a instrumentului
- Utilizatorul este responsabil de accidente sau pericolul în care sunt puse alte persoane sau bunurile acestora
- Utilizați instrumentul numai dacă temperatura ambiantă se situează între 0°C și 40°C
- Nu montați niciodată elemente de tăiere din metal pe acest instrument
- Nu utilizați instrumentul pentru a îndepărta buruieni umede

SECURITATEA PERSOANELOR

- Această sculă nu este destinată utilizării de către persoane (inclusiv copii) cu capacități reduse fizice, senzoriale sau mentale, sau fără experiență și cunoștințe, cu excepția cazului în care sunt supravegheați sau instruiți în privința folosirii sculei de către o persoană responsabilă pentru siguranța lor
- Asigurați-vă că copiii nu se joacă cu scula
- Nu lăsați niciodată copiii sau persoanele care nu cunosc instrucțiunile de utilizare să folosească scula
- Purtați întotdeauna protecție pentru ochi, pantaloni lungi și încălțăminte solidă când utilizați instrumentul
- Nu utilizați niciodată instrumentul cu o protecție de tăiere deteriorată sau fără protecția de tăiere montată
- Nu utilizați niciodată instrumentul în imediata apropiere a persoanelor; opriți utilizarea uneltei când se află în apropiere persoane (în special copii) sau animale de companie

- Nu utilizați niciodată instrumentul când sunteți obosiți, bolnavi sau sub influența drogurilor, alcoolului sau medicamentelor

SECURITATE ELECTRICĂ

- Verificați întotdeauna dacă tensiunea de alimentare este aceeași cu tensiunea indicată pe plăcuța de identificare a sculei (suclele cu o specificație de 230V și 240V pot fi conectate și la alimentare de 220V)
- Verificați periodic cordonul și dacă este deteriorat cereți unei persoane calificate să le înlocuiască
- Verificați periodic cablul prelungitor și înlocuiți-l dacă este deteriorat (**cordoanele de racord necorespunzătoare pot fi periculoase**)
- Folosiți doar un cablu prelungitor destinat utilizării în aer liber echipat cu un ștecher și o priză protejate contra stropirii
- Folosiți cabluri de prelungire derulate complet, protejate/izolate, cu o capacitate de 16 amperi
- Atunci când folosiți instrumentul în medii cu umiditate crescută, utilizați un dispozitiv de curent rezidual (RCD) cu un curent de declanșare de maxim 30 mA
- Nu călcați, nu striviți și nu trageți de cablul prelungitor
- Protejați cablul prelungitor de căldură, ulei și contactul cu muchii ascuțite
- Mențineți cablul (prelungitor) la distanță față de peria rotativă
- Oprii întotdeauna instrumentul și decuplați ștecherul de la sursa de alimentare în cazul în care cablul de alimentare sau cablul prelungitor este tăiat, deteriorat sau încurcat (**nu atingeți cablul înainte de a decupla ștecherul**)

PERIILE

- SKIL garantează funcționarea perfectă a aparatului numai dacă sunt folosite accesoriile originale
- Nu montați decât perii a căror viteză maximă ("RPM") este mai mare decât cea indicată pe unealta electrică
- Folosiți numai perii cu un diametru maxim de 100 mm
- Nu utilizați perii uzate
- Petele de rugină și alte semne de modificare chimică sau mecanică a materialului pe care a fost practicat filetul periei pot cauza defectarea prematură a periei
- Depozitați periile într-un loc adecvat, astfel încât să fie protejate împotriva următorilor factori:
 - umiditate atmosferică ridicată, căldură, apă sau alte lichide care ar putea cauza deteriorarea periei
 - acizi sau vapori de acid, care ar putea cauza deteriorarea periei
 - temperaturi ambiante scăzute, care cauzează formarea de condens pe perie atunci când aceasta este depozitată într-o zonă cu temperaturi ambiante mai ridicate
 - deformarea oricărei părți a periei

ÎNAINTEA UTILIZĂRII

- Utilizați instrumentul numai în timpul zilei sau cu o sursă adecvată de lumină artificială
- Verificați funcționarea instrumentului înaintea fiecărei utilizări și după orice impact; în cazul unei defecțiuni, dispuneți imediat repararea de către o persoană calificată (nu demontați niciodată personal instrumentul)
- Înainte de a pune mașina în funcțiune scoateți afară cheile reglabile și fixe (**o cheie reglabilă sau fixă, aflată într-o componentă de mașină care se rotește, poate provoca răni**)

- Înaintea utilizării, inspectați riguros zona de tăiere și îndepărtați orice obiect pe care instrumentul îl poate proiecta în timpul tăierii (cum ar fi pietre, așchii desprinse etc.)

ÎN TIMPUL FUNCȚIONĂRII

- Utilizați instrumentul numai în poziție verticală, cu peria orientată spre sol (**nu porniți niciodată instrumentul în altă poziție**)
- Utilizați instrumentul deplasându-vă suficient de lent (nu alergați)
- Nu traversați drumuri sau cărări cu pietriș cu instrumentul pornit
- Nu vă lăsați distrași și concentrați-vă întotdeauna asupra lucrului
- Asigurați-vă întotdeauna că nu sunt prinse reziduuri în orificiile de ventilare

DUPĂ UTILIZARE

- Peria continuă să se rotească o perioadă scurtă după oprirea instrumentului (**nu atingeți peria rotativă**)
- Decuplați întotdeauna ștecherul de la sursa de alimentare
 - oricând lăsați instrumentul nesupravegheat
 - înainte de a curăța materialele prinse în instrument
 - înainte de a verifica instrumentul, de a-l curăța sau de a lucra la acesta
 - după lovirea unui corp străin
 - oricând instrumentul începe să vibreze în mod neobișnuit
- Înainte de a așeza sculă, întrerupeți contactul și asigurați-vă că toate părțile în mișcare s-au oprit complet
- Depozitați scula **în interior**, într-un loc uscat și încuiat, la care copiii să nu aibă acces

EXPLICAȚIA SIMBOLURILOR DE PE INSTRUMENT

- ③ **Avertisment!** Citiți manualul de instrucțiuni
- ④ Nu expuneți instrumentul la ploaie
- ⑤ Purtați ochelari de protecție și căști antifonice
- ⑥ **Acordați atenție pericolului de rănire din cauza reziduurilor proiectate** (persoanele din apropiere trebuie să stea la o distanță sigură de zona de lucru)
- ⑦ Feriți-vă întotdeauna mâinile și picioarele de piesele în mișcare
- ⑧ Opriți instrumentul și decuplați ștecherul înainte de curățare/întreținere sau dacă este deteriorat sau încurcat cablul (prelungitor)
- ⑨ Izolație dublă (nu este necesar fir de împământare)
- ⑩ Nu aruncați instrumentul direct la pubelele de gunoi

UTILIZAREA

- Instrucțiuni de asamblare
 - ! **decuplați întotdeauna ștecherul înainte de a monta/demonta peria**
 - glisați dispozitivul de protecție A peste carcasa motorului cum este ilustrat până când se fixează în poziția corespunzătoare ⑪
 - montați roata B pe carcasa motorului cum este ilustrat până când se fixează în poziția corespunzătoare ⑫
 - apăsați butonul de blocare a axului C și mențineți-l apăsat în timp ce slăbiți bucușă D a mandrinei cu cheia E ⑬
 - montați peria F cu centrul aliniat cu indicatorul pentru perie G

- strângeți bucușă de mandrină D cu cheia E în timp ce apăsați butonul de blocare a axului C

! **Înlocuiți peria când este uzată (număr de accesoriu SKIL 2610Z02973)**

- Reglarea înălțimii ⑭
 - slăbiți mașonul de blocare H rotindu-l în sens orar
 - ! **când utilizați instrumentul pentru prima oară, rotiți mânerul K la 90° după ce slăbiți mașonul de blocare H**
 - extindeți tubul J la înălțimea dorită
 - strângeți mașonul de blocare H rotindu-l în sens antiorar
 - ! **nu forțați instrumentul când extindeți/retrageți tubul la înălțimea dorită**
- Clemă de prindere cablu ⑮
 - fixați bucla cablului prelungitor în clema de prindere a cablului L, conform ilustrației
 - trageți ferm pentru a fixa cablul prelungitor
- Pornit/oprit ⑯
 - porniți scula prin apăsarea întrerupătorului trăgaci M
 - opriți scula prin eliberarea întrerupătorului trăgaci M
 - ! **după oprirea instrumentului, peria continuă să se rotească timp de câteva secunde**
 - lăsați peria să se oprească din rotație înainte de a porni din nou instrumentul
 - ! **nu porniți și nu opriți rapid instrumentul**
- Înainte de a folosi scula
 - asigurați-vă că peria F ⑬ este montată corect și că bucușă de mandrină D ⑬ este bine strânsă
 - testați sculă în funcționare cel puțin 30 de secunde la cea mai mare turatie de mers în gol într-o poziție sigură
 - opriți imediat în cazul unor vibrații considerabile sau al altor defecte și verificați sculă pentru a stabili cauza
- Îndepărtarea buruienilor
 - ! **asigurați-vă că în zona de tăiere nu se află pietre, deșeuri și alte obiecte străine**
 - asigurați-vă că partea inferioară a instrumentului este menținută în poziție dreaptă
 - începeți să lucrați numai când motorul este în funcțiune
 - începeți să lucrați în apropierea prizei electrice și îndepărtați-vă de aceasta în timpul lucrului
 - mențineți instrumentul la distanță de obiecte solide și de plante
 - nu utilizați instrumentul prea mult timp într-un singur loc
 - nu supraîncărcați instrumentul
- Mânuirea și dirijarea sculei ⑰
 - țineți bine instrumentul cu o mână
 - ghidați instrumentul la viteză constantă peste suprafața de lucrat
 - mențineți o poziție de lucru stabilă
 - țineți întotdeauna instrumentul la o distanță considerabilă față de corpul dumneavoastră

SFATURI PENTRU UTILIZARE

- Pentru cele mai bune rezultate, testați instrumentul pe o porțiune mică a suprafeței și verificați dacă dalele nu sunt deteriorate
- Îndepărtarea regulată a buruienilor contribuie la prevenirea buruienilor persistente
- A se vedea alte recomandări la www.skil.com

ÎNȚREȚINERE / SERVICE

- Această sculă nu este destinată utilizării profesionale
- Păstrați aparatul și cablul curat
 - ! **deconectați de la priză înainte de a curăța**
 - curățați în mod regulat fantele de ventilație N ② cu o cârpă moale
 - îndepărtați în mod regulat murdăria de pe protecția pentru tăiere A ② cu o perie moale
- Depozitare ⑱
 - depozitați scula **în interior**, într-un loc uscat și încălzit, la care copiii să nu aibă acces
 - fixați bine șina de depozitare P pe perete folosind 4 șuruburi (**nu se furnizează cu instrumentul**), pe orizontală
- Dacă în ciuda procedurilor de fabricație și control riguroase scula are totuși o pană, repararea acesteia se va face numai la un atelier de asistență service autorizat pentru scule electrice SKIL
 - trimiteți scula **în totalitatea lui** cu bonul de cumpărare la distribuitorul sau la centrul de service SKIL cel mai apropiat (adrese și diagrame de service se găseasc la www.skil.com)

DEPANAREA

- Următoarea listă prezintă simptomele problemelor, cauzele posibile și operațiunile de corectare (dacă acestea nu pot fi identificate și problema nu poate fi corectată, contactați furnizorul sau centrul de service)
 - ! **opriți și deconectați instrumentul de la priză înainte de investigarea problemei**
- ★ Instrumentul nu funcționează
 - ștecherul de alimentare este defect -> folosiți un alt ștecher
 - cablul prelungitor este deteriorat -> înlocuiți cablul prelungitor
 - peria montată incorect -> montați din nou peria
- ★ Instrumentul funcționează intermitent
 - cabluri interne defecte -> contactați furnizorul/centrul de service
 - comutator de pornire/oprire defect -> contactați furnizorul/centrul de service
- ★ Buruienile nu sunt îndepărtate complet
 - perie deteriorată/uzată -> înlocuiți peria

MEDIUL

- **Nu aruncați sculele electrice, accesoriile sau ambalajele direct la pubelele de gunoi** (numai pentru țările din Comunitatea Europeană)
 - Directiva Europeană 2012/19/EC face referire la modul de aruncare a echipamentelor electrice și electronice și modul de aplicare a normelor în conformitate cu legislația națională; sculele electrice în momentul în care au atins un grad avansat de uzură și trebuie aruncate, ele trebuie colectate separat și reciclate într-un mod ce respectă normele de protecție a mediului inconjurător
 - simbolul ⑩ vă va reaminti acest lucru

DECLARAȚIE DE CONFORMITATE CE

- Declarăm pe proprie răspundere că produsul descris la paragraful "Date tehnice" este în conformitate cu următoarele standarde și documente normative: EN 60335, EN 61000, EN 55014 conform prevederilor directivelor 2006/95/CE, 2004/108/CE, 2006/42/CE, 2000/14/CE, 2011/65/UE

- **Documentație tehnică la:** SKIL Europe BV (PT-SEU/ENG1), 4825 BD Breda, NL

Marijn van der Hoofden Olaf Dijkgraaf
Operations & Engineering Approval Manager

SKIL Europe BV, 4825 BD Breda, NL

19.12.2013

CE11

ZGOMOT/VIBRAȚII

- Măsurat în conformitate cu EN 60335 nivelul de presiune a sunetului generat de acest instrument este de 68 dB(A) iar nivelul de putere a sunetului 88 dB(A) (abaterea standard: 3 dB), iar nivelul vibrațiilor 3,2 m/s² (metoda mină-braț; incertitudine K = 1,5 m/s²)
- Măsurat în conformitate cu 2000/14/CE (EN/ISO 3744) nivelul garantat de putere a sunetului (LWA) este mai mic de 91 dB(A) (procedeu de evaluare al conformității potrivit anexei VI)
Autoritatea competentă: KEMA, Arnhem, NL
Numărul de identificare al autorității competente: 0344
- Nivelul emisiilor de vibrații a fost măsurat în conformitate cu un test standardizat precizat în EN 60335; poate fi folosit pentru a compara o sculă cu alta și ca evaluare preliminară a expunerii la vibrații atunci când folosiți scula pentru aplicațiile menționate
 - utilizarea sculei pentru aplicații diferite sau cu accesorii diferite și prost întreținute poate **crește** semnificativ nivelul de expunere
 - momentele în care scula este oprită sau când funcționează dar nu execută nicio lucrare, pot **reduce** semnificativ nivelul de expunere
- ! **protejați-vă împotriva efectelor vibrațiilor prin întreținerea sculei și a accesoriilor sale, păstrând mâinile calde și organizând procesele de lucru**

BG

Четка за почистване на плевели 0700

УВОД

- Този електроинструмент е предназначен за отстраняването на плевели (мъх, плесен и друга нежелана растителност) от тераси и между плочки
- Този инструмент не е предназначен за професионална употреба
- Проверете дали в опаковката се намират всички части, както е показано на чертежа ②
- Когато има липсващи или повредени части, моля, свържете се с Вашия дилър
- Прочетете внимателно това ръководство преди употреба и го запазете за справки в бъдеще ③
- Обърнете специално внимание на инструкциите за безопасност и предупрежденията; неспазването им може да доведе до сериозно увреждане

ТЕХНИЧЕСКИ ДАННИ ①

ЕЛЕМЕНТИ НА ИНСТРУМЕНТА ②

- A Защитен капак
- B Колеело
- C Бутон за заключване на шпиндела
- D Гайка на патронника
- E Ключ
- F Четка
- G Индикатор за четката
- H Затягаща втулка
- J Телескопична тръба
- K Дръжка
- L Ограничител на кабела
- M Спусъкъв включвател
- N Вентилационните отвори
- P Конзола за съхранение (**в комплекта не са включени винтове**)

БЕЗОПАСНОСТ

СПЕЦИАЛНИ ИНСТРУКЦИИ ЗА БЕЗОПАСНОСТ ЗА ЧЕТНИТЕ ЗА ПЛЕВЕЛИ

ОБЩИ

- Запознайте се с управлението и правилното ползване на инструмента
- Потребителят носи отговорност за злополуки и вреди, причинени на други хора или на тяхна собственост
- Използвайте този инструмент само когато окръжаващата температура е между 0°C и 40°C
- Никога не поставяйте метални режещи елементи на този инструмент
- Не използвайте електроинструмента за отстраняването на мокри плевели

БЕЗОПАСЕН НАЧИН НА РАБОТА

- Този инструмент не е предназначен за употреба от страна на лица (включително деца) с намалена физически, сетивни или умствени способности, или такива, които нямат нужните опит и знания, освен ако те не са под компетентно ръководство, или ако не са били съответно инструктирани по отношение употребата на инструмента от страна на лицето - отговарящо за тяхната безопасност
- Не позволявайте деца да играят с инструмента
- Никога не позволявайте на деца или възрастни, които не са запознати с ръководството за експлоатация, да използват инструмента
- Когато работите с инструмента, носете средства за защита на очите, дълги панталони и здрави обувки
- Никога не работете с инструмента, ако защитният капак е повреден или не е монтиран
- Никога не работете с инструмента, когато се намирате в непосредствена близост с хора; спрете използването на инструмента, докато наоколо има хора (особено деца) или домашни любимци
- Никога не работете с електроинструмента, когато сте уморени, болни или под въздействието на опиати, алкохол или лекарство

БЕЗОПАСНОСТ ПРИ РАБОТА С ЕЛЕКТРИЧЕСКИ ТОН

- Преди включване на инструмента в контакта се уверете, че мрежовото напрежение отговаря на напрежението, обозначено на фирмената табелка на инструмента (инструменти с номинално напрежение 230V или 240V могат да бъдат включени и към захранване с напрежение 220V)
- Периодично проверявайте връзките на кабела и в случай, че са повредени, се обърнете към квалифициран специалист за подмяна
- Периодично проверявайте удължителя и го подменете, ако е повреден (**неподходящите удължители може да са опасни**)
- Използвайте само удължители, предназначени за употреба на открито и снабдени с водоустойчиви щепсели и контакти
- Използвайте напълно развити и обезопасени разклонители с капацитет 16 A
- Когато ползвате инструмента на влажно място, ползвайте устройство за остатъчен ток (УОТ) с ток на задействане 30 mA максимум
- Не настъпвайте, не премазвайте и не дърпайте кабела (удължителя)
- Пазете кабела (удължителя) от горещи предмети, масло и остри ръбове
- Дръжте (удължителния захранващ кабел) захранващия кабел далеч от въртящата се четка
- Изключете инструмента и извадете щепсела от контакта, ако захранващият кабел или удължителят бъде срязан, повреден или заплетен (**не пипайте кабела преди да извадите щепсела от контакта**)

ЧЕТНИ

- SKIL може да осигури безаварийна работа на електроинструмента само ако се използват оригинални допълнителни приспособления
- Монтирайте само четки, на които максималната скорост ("RPM") е по-висока от оборотите в минута, отбелязани върху електроинструмента
- Използвайте само четки с максимален диаметър 100 mm
- Не използвайте износени четки
- Петна от ръжда или други признаци за химически или механични промени на материала, който държи влакната на четката, могат да доведат до преждевременното неправилно функциониране на четката
- Съхранявайте четките на подходящо място по такъв начин, че да са защитени от следните въздействия:
 - висока влажност на въздуха, топлина, вода или други течности или газове, които може да повредят четката
 - киселини или киселинни пари, които може да повредят четката
 - ниски окръжаващи температури, причиняващи конденз върху четката, когато се съхранявана на място с високи окръжаващи температури
 - деформиране на която и да е част от четката

ПРЕДИ УПОТРЕБА

- Използвайте инструмента само през деня или при подходящо изкуствено осветление
- Винаги проверявайте как работи инструментът преди да започнете работа и след всеки удар в твърд предмет, и в случай на дефект веднага го дайте за ремонт на квалифицирано лице (никога не отваряйте сами инструмента)

- Преди да включите електроинструмента, се уверявайте, че сте отстранили от него всички помощни инструменти и гаечни ключове (**помощен инструмент, забравен на въртящо се звено, може да причини травми**)
- Преди да започнете работа проверете внимателно целия участък за рязане и отстранете всеки предмет, който инструментът може да закачи по време на рязането (като например камъни, парчета дърво и т.н.)

ПРИ УПОТРЕБА

- Използвайте електроинструмента само във вертикално положение, с насочена към земята четка (никога не включвайте електроинструмента в друго положение)
- Когато работите с инструмента, ходете нормално (не тичайте)
- Не пресичайте пътища или покрити с чакъл пътеки, докато тримерът не спре да работи
- Не се разсейвайте и винаги се концентрирайте върху това, което вършите
- Поддържайте вентилационните отвори постоянно чисти от отпадъци

СЛЕД РАБОТА

- Четката продължава да се върти известно време след изключване на машината (**не пипайте въртящата се четка**)
- Винаги изключвайте щепсела от контакта
 - когато оставяте инструмента без надзор
 - преди да почиствате заседнали материали
 - преди да проверявате, почиствате или работите по инструмента
 - след удар с чуждо тяло
 - ако инструментът започне да вибрира ненормално
- Преди да поставите инструмента, изключете мотора и се уверете, че всички подвижни части са напълно неподвижни
- Съхранявайте инструмента на закрито в сухи и сигурни помещения, недостъпни за деца

ОБЯСНЕНИЕ НА СИМВОЛИТЕ ПО ИНСТРУМЕНТА

- ③ **Предупреждение!** Прочетете ръководството за експлоатация
- ④ Не излагайте инструмента на дъжд
- ⑤ Носете защитни очила и тапи за уши
- ⑥ **Внимавайте за опасността от нараняване от летящи отпадъци** (дръжте околните на безопасно разстояние от работната площ)
- ⑦ Винаги дръжте ръцете и краката настрани от въртящите се части
- ⑧ Изключете от бутона и от контакта преди почистване/поддръжка или ако кабелът (удължителят) е повреден или заплетен
- ⑨ Двойна изолация (не се изисква кабел за заземяване)
- ⑩ Не изхвърляйте инструмента заедно с битови отпадъци

УПОТРЕБА

- Инструкции за сглобяване
! преди монтиране/сваляне на четката винаги изваждайте щепсела от контакта на захранващата мрежа

- плъзнете предпазния капак А по корпуса на електродвигателя, докато щракне на място ⑪
- монтирайте колелото В върху корпуса на електродвигателя, както е показано на илюстрацията, докато щракне на място ⑫
- натиснете бутона на фиксатора на вала С и го задържете, докато развияте гайката на патронника D с ключа E ⑬
- монтирайте четката F, като нейният център трябва да е в една линия с индикатора за четката G
- затегнете гайката на патронника D с ключа E, докато натискате бутона на фиксатора на вала С
- ! подменете четката, когато е износена (номер на аксесоар на SKIL 2610Z02973)**
- Регулиране на височината ⑭
 - разхлабете затягащата втулка H, като я завъртите по посока на часовниковата стрелка
 - ! когато използвате електроинструмента за първи път, завъртете дръжката K на 90°, след като разхлабите блокиращата втулка H**
 - изтеглете тръбата J до желаната височина
 - стегнете затягащата втулка H, като я завъртите в посока, обратна на посоката на часовниковата стрелка
 - ! не използвайте прекомерна сила при изтеглянето/прибирането на тръбата до желаната височина**
- Ограничител на кабела ⑮
 - закачете извивката на удължителя на ограничителя L както е показано на фигурата
 - дръпнете здраво, за да закрепите удължителя
- Включване/изключване ⑯
 - включете инструмента като натиснете спусъков включвател M
 - изключете инструмента като освободите спусъков включвател M
 - ! след изключване на електроинструмента четката продължава да се върти няколко секунди**
 - изчакайте четката да спре да се върти, преди отново да включите електроинструмента
 - ! не включвайте и изключвайте бързо тримера**
- Преди употреба
 - уверете се, че четката F ⑬ е монтирана правилно и че гайката на патронника D ⑬ е затегната здраво
 - предварително тествайте инструмента, като я включите най-малко за 30 секунди на максимална скорост
 - в случай на силни вибрации или други неизправности, веднага спрете инструмента за установяване на повредата
- Отстраняване на плевели
! уверете се, че на участъка за рязане няма камъни, отпадъци и други чужди тела
 - уверете се, че долната страна на електроинструмента се държи в хоризонтално положение
 - започнете работа само когато електродвигателят работи
 - започнете работа близо до контакта и се отдалечавайте, докато работите

- дръжте електроинструмента далеч от твърди предмети и растения
- не използвайте електроинструмента на едно място твърде продължително
- не претоварвайте инструмента
- Държане и насочване на инструмента ⑰
 - дръжте електроинструмента здраво с една ръка
 - направлявайте електроинструмента при постоянна скорост по повърхността, върху която ще се работи
 - поддържайте стабилна работна поза
 - винаги дръжте инструмента достатъчно далеч от тялото си

УКАЗАНИЯ ЗА РАБОТА

- За постигането на най-добри резултати пуснете електроинструмента пробно върху малка част от повърхността и проверете дали глочите не се повредят
- Редовното отстраняване на плевелите спомага да се избегне развитието на упорита нежелана растителност
- За повече полезни указания вж. www.skil.com

ПОДДРЪЖКА / СЕРВИЗ

- Този инструмент не е предназначен за професионална употреба
- Поддържайте винаги електроинструмента и захранващия кабел чисти
- ! **преди почистване изключете щепсела**
 - редовно почиствайте вентилационните отвори N ② с мека кърпа
 - редовно отстранявайте нечистотиите от предпазния капак A ② с мека четка
- Съхранение ⑱
 - съхранявайте инструмента **на закрито** в сухи и сигурни помещения, недостъпни за деца
 - закрепете здраво конзолата за съхранение P на стената с 4 винта (**не са включени**) хоризонтално нивелирана
- Ако въпреки прецизното производство и внимателно изпитване възникне повреда, инструмента да се занесе за ремонт в оторизиран сервиз за електроинструменти на SKIL
 - занесете инструмента в неразглобен вид заедно с доказателство за покупката му в търговския обект, откъдето сте го закупили, или в най-близкия сервиз на SKIL (адресите, както и схемата за сервизно обслужване на електроинструмента, можете да намерите на адрес www.skil.com)

ОТКРИВАНЕ И ОТСТРАНЯВАНЕ НА ПРОБЛЕМИ

- В следващия списък са включени признаците за проблеми, вероятните причини и начините за отстраняване (ако това не помогне за откриване и отстраняване на проблема, се обърнете към Вашия дистрибутор или сервиз)
- ! **изключете инструмента и извадете щепсела от контакта преди да проучвате проблема**
- ★ Инструментът не работи
 - повреден контакт -> ползвайте друг контакт
 - повреден удължител -> сменете удължителя

- четката е монтирана неправилно -> монтирайте четката отново
- ★ Инструментът работи с прекъсване
 - повредени вътрешни кабели -> обърнете се към дистрибутора/сервиз
 - повреден бутон за включване/изключване -> обърнете се към дистрибутора/сервиз
- ★ Плевелите не са напълно отстранени
 - четката е повредена/износена -> подменете четката

ОПАЗВАНЕ НА ОКОЛНАТА СРЕДА

- **Не изхвърляйте електроуредите, приспособленията и опакovinите заедно с битови отпадъци** (само за страни от ЕС)
 - съобразно Директивата на ЕС 2012/19/EG относно износени електрически и електронни уреди и отразяването ѝ в националното законодателство износените електроуреди следва да се събират отделно и да се предават за рециклиране според изискванията за опазване на околната среда
 - за това указва символът ⑩ тогава когато трябва да бъдат унищожени

ДЕКЛАРАЦИЯ ЗА СЪОТВЕТСТВИЕ CE

- С пълна отговорност ние декларираме, че описаният в "Технически данни" продукт съответства на следните стандарти или нормативни документи: EN 60335, EN 61000, EN 55014 съгласно изискванията на директиви 2006/95/EG, 2004/108/EG, 2006/42/EG, 2000/14/EG, 2011/65/EC
- **Подробни технически описания при:**
SKIL Europe BV (PT-SEU/ENG1), 4825 BD Breda, NL

Marijn van der Hoofden
Operations & Engineering

Olaf Dijkgraaf
Approval Manager

SKIL Europe BV, 4825 BD Breda, NL

19.12.2013

CE11

ШУМ/ВИБРАЦИИ

- Измерено в съответствие с EN 60335 нивото на звукова налягане на този инструмент е 68 dB(A) а нивото на звукова мощност е 88 dB(A) (стандартно отклонение: 3 dB), а вибрациите са 3,2 m/c² (метод ръка-рамо; неопределеност K = 1,5 m/c²)
- Измерена в съответствие с 2000/14/EG (EN/ISO 3744) гарантираната сила на шума LWA е по-ниска от 91 dB(A) (методът за оценка на съответствието е съгласно Приложение VI)
- Нотифициран орган : KEMA, Arnhem, NL
Идентификационен номер на нотифицирания орган : 0344
- Нивото на предадените вибрации е измерено в съответствие със стандартизирания тест, определен в EN 60335; то може да се използва за сравнение на един инструмент с друг и като предварителна оценка на подлагането на вибрации при използването на инструмента за посочените приложения

- използването на инструмента за различни от тези приложения или с други, или лошо поддържани аксесоари може значително **да повиши** нивото на което сте подложени
- периодите от време, когато инструмента е изключен или съответно включен, но с него не се работи в момента могат значително **да намалят** нивото на което сте подложени
- ! **предпазвайте се от ефектите от вибрациите, като поддържате инструмента и аксесоарите му, пазете ръцете си топли и организирате вашите модели на работа**

SK

Odstraňovač trávy

0700

ÚVOD

- Tento nástroj je určený na odstraňovanie trávy z terás a z priestoru medzi dlaždicami
- Tento nástroj nie je vhodný pre profesionálne použitie
- Skontrolujte, či balenie obsahuje všetky súčasti podľa obrázka ②
- Ak sú niektoré súčasti poškodené, alebo chýbajú, obráťte sa na svojho predajcu
- **Pred použitím si dôkladne prečítajte tento návod a uchovajte ho pre prípad potreby v budúcnosti ③**
- **Zvlášť venujte pozornosť bezpečnostným pokynom a upozorneniam; nedodržanie týchto pokynov môže spôsobiť vážne zranenie**

TECHNICKÉ ÚDAJE ①

ČASTI NÁSTROJA ②

- A Rezací kryt
- B Koleso
- C Gombík na uzamknutie vretena
- D Matica upínacej vložky
- E Kľúč
- F Keňa
- G Indikátor kefy
- H Zamykacia objímka
- J Teleskopická rúrka
- K Rukoväť
- L Prichytka sieťového kábla
- M Prepínač
- N Vetracie štrbiny
- P Držiak na uskladnenie (**skrutky nie sú súčasťou dodávky**)

BEZPEČNOSŤ

ŠPECIFICKÉ BEZPEČNOSTNÉ INŠTRUKCIE PRE ODSTRAŇOVAČE TRÁVY

VŠEOBECNE

- Oboznámte sa s ovládacími prvkami a správnym použitím nástroja
- Za nehody alebo vystavenie iných osôb alebo ich majetku nebezpečenstvu je zodpovedný užívateľ

- Nástroj používajte len pri teplote okolia od 0 °C do 40 °C
- Nikdy na tento nástroj nemontujte kovové rezacie súčasti
- Zariadenie nepoužívajte na odstraňovanie mokrej trávy

BEZPEČNOSŤ OSÔB

- Tento nástroj nie je určený na použitie osobami (vrátane detí), ktoré majú znížené fyzické, zmyslové alebo mentálne schopnosti, alebo majú nedostatok skúseností a vedomostí, pokiaľ nad nimi nie je dozor alebo im neboli poskytnuté pokyny zahŕňajúce použitie tohto nástroja osobou, ktorá je zodpovedná za ich bezpečnosť
- Uistite sa, že sa deti s nástrojom nehrajú
- Nikdy nedovoľte používať kosačku deťom alebo im ľuďom, ktorí neovládajú pokyny k jej prevádzke
- Pri použití nástroja vždy noste ochranné okuliare, dlhé nohavice a pevné topánky
- Nikdy nepoužívajte nástroj s poškodeným rezacím krytom alebo bez namontovaného rezacieho krytu
- Nikdy nepoužívajte nástroj v bezprostrednej blízkosti ľudí; prestaňte používať nástroj, keď sú v blízkosti ľudí (najmä detí) alebo zvieratá
- Nikdy nepoužívajte nástroj, keď ste unavení, chorí alebo pod vplyvom liekov, alkoholu alebo narkotík

ELEKTRICKÁ BEZPEČNOSŤ

- Vždy skontrolujte či je napájacie napätie rovnaké ako napätie uvedené na štítku nástroja (nástroj s menovitým napätím 230V alebo 240V môžete pripojiť aj do siete s napätím 220V)
- Pravidelne kontrolujte šnúru a ak je poškodená, šnúru musí vymeniť kvalifikovaná osoba
- Pravidelne kontrolujte predlžovací sieťový kábel a vymeňte ho, ak je poškodený (**nevhodné predlžovacie sieťové káble môžu byť nebezpečné**)
- Používajte len také predlžovacie sieťové káble, ktoré sú určené na vonkajšie použitie a majú vodotesnú spojovaciu zásuvku
- Používajte úplne odmontovanú a bezpečnú predlžovaciu šnúru s kapacitou 16 A
- Pri použití nástroja vo vlhkom prostredí použite zariadenie na ochranu pred zvyškovým prúdom (RCD) so spúšťačím prúdom maximálne 30 mA
- Neprechádzajte cez (predlžovací) sieťový kábel a ani ho nepritláčajte alebo neľahajte
- Chráňte (predlžovací) sieťový kábel pred teplom, olejom a ostrými hranami
- Udržujte (predlžovací) sieťový kábel mimo rotujúcej kefy
- Vždy vypnite nástroj a odpojte zástrčku zo zásuvky, ak je napájací sieťový kábel alebo predlžovací sieťový kábel prerezaný, poškodený alebo zamotaný (**nedotýkajte sa sieťového kábla pred odpojením zástrčky**)

KEFY

- SKIL zabezpečí hladký chod nástroja len ak sa používa pôvodné príslušenstvo
- Montujte iba tie kefy, ktorých maximálne otáčky ("RPM") vyššie, než otáčky vyznačené na nástroji
- Používajte len kefy s maximálnym priemerom 100 mm
- Nepoužívajte opotrebované kefy
- Hrdzu a iné známky chemických či fyzických zmien materiálu pridržiavajúceho závitky kefy môžu spôsobiť jej predčasnú nefunkčnosť
- Kefy skladujte na vhodnom mieste tak, aby boli chránené pred týmito vplyvmi:
 - vysoká vzdušná vlhkosť, teplo, voda alebo iné kvapaliny schopné poškodiť kefy

- kyseliny alebo ich výpary, ktoré môžu poškodiť kefu
- nízke okolité teploty spôsobujúcu kondenzáciu na kefe skladovanú v oblasti s vyššími okolitými teplotami
- deformácia akejkoľvek časti kefy

PRED POUŽITÍM

- Používajte nástroj len pri dennom svetle alebo dostatočnom umelom osvetlení
- Skontrolujte, či je nástroj v poriadku pred každým použitím a po akomkoľvek náraze; ak má nástroj poruchu, dajte ho ihneď opraviť kvalifikovanej osobe (nikdy ho neotvárajte sami)
- Skôr ako ručne elektrické náradie zapnete, odstráňte nastavovacie a montážne nástroje (**nástroj alebo kľúč, ktorý sa nachádza v pohyblivej časti náradia, môže spôsobiť poranenie**)
- Pred použitím dôkladne skontrolujte oblasť kosenia a odstráňte všetky predmety, ktoré by nástroj mohol počas kosenia vymrštiť (napríklad kamene, kusy dreva atď.)

POČAS PRÁCE

- Zariadenie používajte len vo vertikálnej polohe tak, aby kefa smerovala na zem (**zariadenie nikdy nezapínajte v inej polohe**)
- Nástroj používajte len rýchlosťou bežnej chôdze (nebežte s ním)
- Neprechádzajte so zapnutým nástrojom cez cesty alebo štrkové chodníky
- Nenechávajte odpútať svoju pozornosť a vždy sa sústreďte na to, čo robíte
- Vždy sa ubezpečte, že z vetracích otvorov je odstránený všetok odpad

PO PRÁCI

- Kefa rotuje krátky čas aj po vypnutí zariadenia (**nedotýkajte sa rotujúcej kefy**)
- Vždy odpojte zástrčku zo zásuvky
 - keď nechávate nástroj bez dozoru
 - pred odstránením zaseknutého materiálu
 - pred kontrolou, čistením alebo pracovaním na nástroji
 - po zasiahnutí cudzieho predmetu
 - keď nástroj začne neobvykle vibrovať
- Predtým, ako nástroj položíte, vypnite motor a presvedčte sa, že všetky pohybujúce sa časti úplne stoja
- Nástroj skladujte **v miestnosti** na suchom a uzamknutom mieste, mimo dosahu detí

VYSVETLENIE SYMBOLOV NA NÁSTROJI

- ③ **Upozornenie!** Prečítajte si návod na použitie
- ④ Nástroj nevystavujte dažďu
- ⑤ Používajte ochranné okuliare a tlmíče hluku na uši
- ⑥ **Dávajte pozor na riziko poranenia spôsobeného odletujúcim odpadom** (zaisťte, aby boli okolostojace osoby v bezpečnom odstupe od pracovného priestoru)
- ⑦ Ruky a nohy udržiavajte v dostatočnej vzdialenosti od rotujúcich častí kosačky
- ⑧ Pred čistením/vykonávaním údržby alebo v prípade poškodeného alebo zamotaného (predlžovacieho) sieťového kábla nástroj vypnite a odpojte zástrčku
- ⑨ Dvojitá izolácia (nevýžaduje sa uzemňovací kábel)
- ⑩ Nástroj nevyhadzujte do komunálneho odpadu

POUŽITIE

- Návod na montáž
 - ! **pred montážou/demontážou kefy vždy odpojte sieťový šnúru**
 - ochranný prvok A nasuňte na motor podľa obrázka, pokiaľ nezacvakne na miesto ⑪
 - koleso B namontujte na motor podľa obrázka, pokiaľ nezacvakne na miesto ⑫
 - stlačte a podržte tlačidlo zámku hriadeľa C a pomocou kľúča D uvoľnite maticu upínacej vložky E ⑬
 - kefu F namontujte tak, aby jej os bola zároveň indikátora G
 - dotiahnite maticu upínacej vložky D kľúčom E, pričom stláčajte tlačidlo C na zaistenie vretena
 - ! **keď je kefa opotrebovaná, vymeňte ju za novú (číslo príslušenstva SKIL 2610Z02973)**
- Nastavenie výšky ⑭
 - povoľte zamykáciu objímky H jej otočením v smere hodinových ručičiek
 - ! **pri prvom použití zariadenia po utiahnutí zamykacej objímky H otočte rukoväť K o 90°**
 - vysuňte rúrku J na požadovanú výšku
 - utiahnite zamykáciu objímky H jej otočením proti smeru hodinových ručičiek
 - ! **pri vyťahovaní/zasúvaní trubice do požadovanej výšky netlačte príliš na nástroj**
- Príchytka sieťového kábla ⑮
 - zavesťte slučku na predlžovacom sieťovom kábli na príchytke L podľa obrázka
 - pevne zatiahnite predlžovací sieťový kábel tak, aby bol zaistený
- Zapínanie/vypínanie ⑯
 - zapnite náradie stlačením prepínača M
 - vypnete náradie uvoľnením prepínača M
 - ! **kefa ešte niekoľko sekúnd rotuje aj po vypnutí zariadenia**
 - pred opätovným zapnutím nástroja počkajte, kým sa kefa neprestane otáčať
 - ! **nezapínajte a nevypínajte nástroj rýchlo za sebou**
- Pred použitím nástroja
 - presvedčte sa, že kefa F ⑬ je správne namontovaná a že upínacia matica D ⑬ je pevne dotiahnutá
 - otestujte beh nástroja tak, že ho v bezpečnej polohe necháte bežať najmenej 30 sekúnd bez záťaže pri najvyšších otáčkach
 - v prípade, že sa objavia veľké vibrácie alebo iné vady, okamžite nástroj zastavte a skontrolujte ho, aby ste určili príčinu závady
- Odstraňovanie trávy
 - ! **ubezpečte sa, že v oblasti kosenia nie sú žiadne kamene, odpad a iné cudzie predmety**
 - presvedčte sa, že spodná časť zariadenia je vo vodorovnej polohe
 - začínajte pracovať len so spusteným motorom
 - začnite pracovať v blízkosti sieťovej zásuvky a potom sa od nej posúvajte ďalej
 - vyhýbajte sa s kefou objemovým predmetom a rastlinám
 - zariadenie nepoužívajte na jednom mieste príliš dlho
 - nástroj pri práci nepreťažujte

- Držanie a vedenie nástroja ⑰
 - zariadenie držte pevne jednou rukou
 - zariadenie presúvajte nad pracovným povrchom konštantou rýchlosťou
 - udržiajte stabilnú pracovnú polohu
 - vždy nástroj udržiajte na dostatočnú vzdialenosť od svojho tela

RADU NA POUŽITIE

- Najlepšie výsledky dosiahnete vtedy, keď zariadenie použijete na malej časti povrchu a presvedčíte sa, že dlaždice ostanú neporušené
- Pravidelné odstraňovanie trávy napomáha predchádzať trvalému porastu
- Viac rád nájdete na www.skil.com

ÚDRŽBA / SERVIS

- Tento nástroj nie je vhodný pre profesionálne použitie
- Nástroj a sieťovú šnúru udržiajte stále čisté
 - ! **pred čistením odpojte z elektrickej siete**
 - mäkkou handričkou N ② pravidelne čistíte ventilačné otvory
 - mäkkou kefkou A ② pravidelne odstraňujte špinu z ochranného krytu
- Uskladnenie ⑱
 - nástroj skladujte **v miestnosti** na suchom a uzamknutom mieste, mimo dosahu detí
 - držiak na uskladnenie namontujte napevno P na stenu pomocou 4 skrutiek (**nie sú súčasťou dodávky**) do vodorovnej polohy
- Ak by nástroj napriek starostlivej výrobe a kontrole predsa len prestal niekedy fungovať, treba dať opravu vykonať autorizovanej servisnej opravovni elektrického náradia SKIL
 - pošlite nástroj **bez rozmontovania** spolu s dôkazom o kúpe; vášmu dilerovi alebo do najbližšieho servisného strediska SKIL (zoznam adries servisných stredísk a servisný diagram nástroja sú uvedené na www.skil.com)

RIEŠENIE PROBLÉMOV

- Nasledujúci zoznam obsahuje príznaky problémov, možné príčiny a opravné postupy (ak pomocou nich nie je možný problém určiť a odstrániť, obráťte sa na svojho predajcu alebo servisné stredisko)
 - ! **pred skúmaním problému vypnite nástroj a odpojte zástrčku**
- ★ Nástroj nefunguje
 - chybná napájacia zásuvka -> použite inú zásuvku
 - poškodený predlžovací sieťový kábel -> vymeňte predlžovací sieťový kábel
 - kefa je nesprávne namontovaná -> namontujte kefu znova
- ★ Nástroj pracuje prerušovane
 - chybné vnútorné spoje -> obráťte sa na predajcu/ servisné stredisko
 - chybný vypínač -> obráťte sa na predajcu/ servisné stredisko
- ★ Tráva nie je kompletne odstránená
 - kefa je poškodená/opotrebovaná -> vymeňte kefu

ŽIVOTNÉ PROSTREDIE

- **Elektrické náradie, príslušenstvo a balenia nevyhadzujte do komunálneho odpadu** (len pre štáty EÚ)
 - podľa európskej smernice 2012/19/EG o nakladaní s použitými elektrickými a elektronickými zariadeniami a zodpovedajúcich ustanovení právnych predpisov jednotlivých krajín sa použité elektrické náradie musí zbierať oddelene od ostatného odpadu a podrobiť ekologicky šetrnej recyklácii
 - pripomenie vám to symbol ⑩, keď ju bude treba likvidovať

VYHLÁSENIE O ZHODE CE

- Na vlastnú zodpovednosť vyhlasujeme, že dole popísaný výrobok "Technické údaje" sa zhoduje s nasledujúcimi normami alebo normatívnymi dokumentami: EN 60335, EN 61000, EN 55014 podľa ustanovení smerníc 2006/95/EG, 2004/108/EG, 2006/42/EG, 2000/14/EG, 2011/65/EU
- **Súbor technickej dokumentácie sa nachádzajú na adrese:** SKIL Europe BV (PT-SEU/ENG1), 4825 BD Breda, NL

Marijn van der Hoofden
Operations & Engineering

Olaf Dijkgraaf
Approval Manager

SKIL Europe BV, 4825 BD Breda, NL

19.12.2013

CE11

HLUKU/VIBRÁCIÁCH

- Merané podľa a EN 60335 je úroveň akustického tlaku tohto nástroja 68 dB(A) a úroveň akustického výkonu je 88 dB(A) (štandardná odchýlka: 3 dB), a vibrácie sú 3,2 m/s² (metóda ruka - paža; nepresnosť K = 1,5 m/s²)
- Garantovaná hladina akustického výkonu LWA, nameraná v súlade s normou 2000/14/EG (EN/ISO 3744) je nižšia ako 91 dB(A) (spôsob hodnotenia konformity podľa prílohy VI)
- Oboznámený orgán: KEMA, Arnhem, NL
Identifikačné číslo oboznámeného orgánu: 0344
- Hladina emisií od vibrácií bola nameraná v súlade s normalizovaným testom uvedeným v norme EN 60335; môže sa používať na vzájomné porovnanie náradí a na predbežné posúdenie vystavenia účinkom vibrácií pri používaní náradia pre uvedené aplikácie
 - používanie náradia na rôzne aplikácie, alebo v spojení s rôznymi alebo nedostatočne udržiavanými doplnkami môže značne **zvýšiť** úroveň vystavenia
 - časové doby počas ktorých je je náradie vypnuté alebo počas ktorých náradie beží ale v skutočnosti nevykonáva prácu môžu značne **znižit'** úroveň vystavenia
- ! **chráňte sa pred účinkami vibrácií tak, že budete náradie a jeho príslušenstvo správne udržiavať, tak že nebudete pracovať so studenými rukami a tak že si svoje pracovné postupy správne zorganizujete**

Četka za korov

0700

UVOD

- Ovaj alat je namijenjen uklanjanju korova sa terasa i između pločica
- Ovaj uređaj nije namijenjen profesionalnoj upotrebi
- Provjerite sadrži li paket sve dijelove prema nacrtu ②
- Ako vam dijelovi nedostaju ili su oštećeni, obratite se svom dobavljaču
- **Prije uporabe pažljivo pročitajte ovaj priručnik s uputama i spremite ga za kasniju uporabu ③**
- **Posebnu pažnju obratite na sigurnosne upute i upozorenja; pridržavajte ih se kako ne bi došlo do ozbiljnih ozljeda**

TEHNIČKI PODACI ①

DIJELOVI ALATA ②

- A Zaštita rezača
- B Kotač
- C Gumb za aretiranje vretena
- D Matica stezne čeljusti
- E Ključ
- F Četka
- G Pokazivač četke
- H Sigurnosni prsten
- J Teleskopska cijev
- K Drška
- L Držač kabela
- M Prekidač
- N Otvori za strujanje zraka
- P Vodilica za odlaganje (**vijci nisu isporučeni**)

SIGURNOST

POSEBNE SIGURNOSNE UPUTE VEZANO UZ ČETKE ZA KOROV

OPĆENITO

- Upoznajte se s kontrolama i ispravnim korištenjem uređaja
- Korisnik je odgovoran za nezgode i opasnosti prouzročene osobama ili njihovoj imovini
- Uređaj koristite samo kada je vanjska temperatura između 0 °C i 40 °C
- Nikada ne montirajte metalne rezne elemente na ovaj uređaj
- Alat nemojte koristiti za uklanjanje vlažnog korova

SIGURNOST LJUDI

- Nije predviđeno da se ovim alatom koriste osobe (uključujući i djecu) sa smanjenim fizičkim, osjetilnim ili mentalnim sposobnostima, neiskusne i neobučene osobe, osim ako se nalaze pod nadzorom osobe koja odgovara za njihovu sigurnost ili su od nje dobile upute o načinu korištenja alata
- Pobrinite se da se djeca ne igraju ovim alatom
- Nikada ne dopustite djeci ili osobama koje nisu upoznate s uputama za rad da koriste uređaj
- Pri radu s uređajem uvijek nosite zaštitu za oči, duge hlače i jake cipele

- Nikada ne radite s uređajem ako je oštećena zaštitna rezača ili bez montirane zaštite
- Nikada ne radite s uređajem u neposrednoj blizini osoba; ako su u blizini druge osobe (posebno djeca) ili kućni ljubimci
- Nikada nemojte raditi s uređajem dok ste umorni, bolesni ili pod utjecajem droga, alkohola ili lijekova

ELEKTRIČNA SIGURNOST

- Uvijek provjerite je li napon napajanja isti kao onaj naveden na tipskoj pločici uređaja (uređaji označeni s 230V ili 240V mogu raditi i na 220V)
- Kabel redovito kontrolirati u slučaju oštećenja zatražiti zamjenu od kvalificiranog električara
- Povremeno pregledajte produžni kabel i zamijenite ga ako je oštećen (**neodgovarajući produžni kabeli mogu biti opasni**)
- Koristite samo produžni kabel predviđen za primjenu na otvorenom i s priključnim mjestom zaštićenim od prskanja
- Upotrebljavajte samo neodmotane i zaštićene produžne kabele kapaciteta 16 ampera
- Pri radu u vlažnom okruženju upotrijebite uređaj za zaštitu od strujnog udara (RCD) sa strujom okidanja od maksimalno 30 mA
- Nemojte prelaziti, stiskati ili povlačiti (produžni) kabel
- Zaštitiite kabel od topline, ulja i oštih rubova
- Držite (produžni) kabel podalje od okretne četke
- Uvijek isključite alat i izvucite utikač iz izvora napajanja ako je kabel za napajanje ili produžni kabel prerezan, oštećen ili zapetljan (**ne dodirujte kabel prije isključivanja utikača**)

ČETKE

- SKIL može osigurati besprijekoran rad uređaja samo ako se koristi originalni pribor
- Na alat montirajte samo četke maksimalne brzine ("RPM") više od brzine okretaja označene na alatu
- Koristite samo četke čiji promjer ne prelazi 100 mm
- Nemojte koristiti pohabane četke
- Mrlje od hrđe i drugi znakovi kemijskih ili mehaničkih promjena na materijalu koji drži navoje na četki mogu prouzročiti prerani nepravilan rad četki
- Četke čuvajte na odgovarajućem mjestu tako da budu zaštićene od sljedećih utjecaja:
 - visoka atmosferska vlažnost, toplina, voda i druge tekućine koje mogu oštetiti četku
 - kiseline ili kisele pare koje mogu oštetiti četku
 - niske vanjske temperature koje izazivaju kondenzaciju na četki kada se čuva u prostoriji s visokim temperaturama
 - deformacije dijelova četke

PRIJE UPORABE

- Uređaj koristite samo po dnevnom svjetlu ili uz odgovarajuću umjetnu rasvjetu
- Prije svake uporabe i nakon svakog udarca provjerite funkciju uređaja; u slučaju neispravnosti odmah ga pošaljite na popravak u ovlašteni servis; nikada sami ne otvarajte uređaj
- Prije nego što uređaj uključite, uklonite alate za podešavanje ili vijčane ključeve (**alat ili ključ koji se nalazi u rotirajućem dijelu uređaja može doći do nezgoda**)
- Prije upotrebe dobro pregledajte rezno područje i uklonite sve predmete koje bi uređaj mogao izbaciti tijekom rezanja (poput kamenja, komada drveta itd.)

TIJEKOM UPORABE

- Alat uvijek koristite u okomitom položaju, tako da četka gleda prema tlu (**alat nikad ne uključujte u nekom drugom položaju**)
- Uređajem rukujte uobičajenom brzinom hodanja (nemojte trčati)
- Ne prelazite preko cesta ili šljunčanih staza dok uređaj radi
- Pazite da vam nešto ne oduvče pažnju i uvijek se koncentrirajte na ono što radite
- Uvijek osigurajte da otvori za ventilaciju budu slobodni od otpadnog materijala

NAKON UPORABE

- Četka se nastavlja okretati još neko vrijeme nakon isključivanja uređaja (**okretnu četku nemojte dodirivati**)
- Uvijek isključite utikač iz izvora napajanja
 - ako ostavljate uređaj bez nadzora
 - prije čišćenja zaglavljenog materijala
 - prije provjere, čišćenja ili rada na uređaju
 - nakon udara u strano tijelo
 - uvijek kada uređaj počne nenormalno vibrirati
- Čim se udaljite od uređaja trebate ga isključiti i da se brusna ploča zaustavi do stanja mirovanja
- Uređaj spremite **unutra** na suho mjesto nedostupno za djecu

POJAŠNJENJE SIMBOLA NA UREĐAJU

- ③ **Upozorenje!** Pročitajte upute za upotrebu
- ④ Uređaj nikada ne izlaziše kiši
- ⑤ Nositi zaštitne naočale i štitnike za sluh
- ⑥ **Pazite na opasnost od ozljeda koje izaziva leteći otpadni materijal** (sve osobe moraju biti na sigurnoj udaljenosti od područja rada)
- ⑦ Uvijek držite šake i stopala podalje od okretnih dijelova
- ⑧ Isključite i iskopčajte utikač prije čišćenja/održavanja ili ako je (produžni) kabel oštećen ili zapetljan
- ⑨ Dvostruka izolacija (dozerna žica nije potrebna)
- ⑩ Uređaj ne bacajte u kućni otpad

POSLUŽIVANJE

- Upute za sklapanje
 - ! **prije montiranja/skidanja četke uvijek iskopčajte utikač**
 - štitnik pomičite A ako kućišta motora kako je prikazano, dok ne sjedne na mjesto ①
 - montirajte kotač B na kućište motora kako je prikazano, dok ne sjedne na mjesto ②
 - pritisnite gumb za zaključavanje vretena C i držite ga pritisnutim dok olabavljujete maticu stezne čeljusti D ključem E ⑬
 - montirajte četku F tako da joj je središte u razini s pokazivačem četke G
 - stegnite zateznu maticu D pomoću ključa E, uz pritisak na gumb za aretiranje vretena C
 - ! **zamijenite četku kad se istroši (SKIL dodatak broj 2610Z02973)**
- Podešavanje visine ⑭
 - otpustite sigurnosni prsten H okretanjem u smjeru kazaljke na satu
 - ! **kad alat koristite po prvi puta, okrećite ručicu K 90° nakon otpuštanja naglavka za blokiranje H**
 - izvucite cijev J na željenu visinu

- pritegnite sigurnosni prsten H okretanjem u smjeru obrnutom od kazaljke na satu
- ! **prilikom rastezanja/smanjenja cijevi na željenu visinu alatom nemojte rukovati koristeći silu**
- Držać kabela ⑮
 - omotajte kabel u petlju oko držača L kako je prikazano na slici
 - dobro povucite kako biste osigurali produžni kabel
- Uključivanje/isključivanje ⑯
 - uključite uređaj pritiskom prekidača M
 - isključite uređaj otpuštanjem prekidača M
 - ! **nakon isključivanja uređaja, četka se kreće još nekoliko sekundi**
 - prije ponovnog uključivanja, pustite da se četka prestane okretati
 - ! **nemojte brzo uključivati i isključivati uređaj**
- Prije uporabe vašeg uređaja
 - osigurajte da se četka F ⑬ pravilno montira i da je zatezna matica D ⑬ čvrsto pritegnuta
 - provesti probni rad, tako da pribora može najmanje 30 sekundi rotirati s najvećom brzinom
 - kod većih vibracija ili drugih neispravnosti, uređaj odmah isključiti i pronaći moguće uzroke
- Uklanjanje korova
 - ! **u reznom području ne smije biti kamenja, otpadnog materijala i drugih stranih tijela**
 - uvjerite se da je donja strana alata u ravnom položaju
 - započnite s radom tek kada je motor uključen
 - započnite s radom pored utičnice i pomičite se dalje tijekom rada
 - uređajem ne smijete prelaziti preko tvrdih predmeta i biljaka
 - uređaj nemojte koristiti predugo na jednom mjestu
 - nemojte preopteretiti uređaj
- Držanje i vodenje uređaja ⑰
 - uređaj čvrsto držite jednom rukom
 - uređajem prelazite preko površine pri konstantnoj brzini
 - održavajte stabilan radni položaj
 - uvijek držite uređaj podalje od tijela

SAVJETI ZA PRIMJENU

- Da biste postigli bolje rezultate, alat testirajte na malom komadu površine te provjerite da se pločice ne oštećuju
- Redovitim uklanjanjem korova sprječava se pojava tvrdokornog korova
- Dodatne savjete možete naći na adresi www.skil.com

ODRŽAVANJE / SERVISIRANJE


- Ovaj uređaj nije namijenjen profesionalnoj upotrebi
- Održavajte čistim uređaj i kabel
 - ! **prije čišćenja treba izvući mrežni utikač**
 - redovito čistite ventilacijske otvore N ② mekom tkaninom
 - redovito uklanjajte nečistoću sa štitnika rezača A ② pomoću meke četke
- Odlaganje ⑱
 - uređaj spremite **unutra** na suho mjesto nedostupno za djecu
 - sigurno montirajte vodilicu za odlaganje P na zid pomoću 4 vijka (**nisu isporučeni**) i horizontalno je poravnajte

- Ako bi uređaj unatoč brižljivih postupaka izrade i ispitivanja ipak prestao raditi, popravak treba prepustiti ovlaštenom servisu za SKIL električne alate
 - uređaj treba **nerastavljeno** predati, zajedno s računom o kupnji u najbližu SKIL ugovornu servisnu radionicu (popise servisa, kao i oznake rezervnih dijelova uređaja možete naći na adresi www.skil.com)

RJEŠAVANJE PROBLEMA

- Na sljedećem popisu prikazani su simptomi problema, mogući uzroci i korektivne mjere (ako na taj način ne otklonite problem, obratite se dobavljaču ili servisu)
 - ! **isključite uređaj i izvucite utikač prije pokušaja otkrivanja uzroka problema**
- ★ Uređaj ne radi
 - kvar mrežne utičnice -> pokušajte priključiti uređaj u neku drugu utičnicu
 - oštećen produžni kabel -> zamijenite produžni kabel
 - četka je nepravilno montirana -> ponovno montirajte četku
- ★ Uređaj radi isprekidano
 - kvar unutarnjeg ožičenja -> obratite se dobavljaču/ servisu
 - kvar prekidača za uključivanje/isključivanje -> obratite se dobavljaču/servisu
- ★ Korov nije potpuno uklonjen
 - četka je oštećena/istrošena -> zamijenite četku

ZAŠTITA OKOLIŠA

- **Električne alate, pribor i ambalažu ne bacajte u kućni otpad** (samo za EU-države)
 - prema Europskoj direktivi 2012/19/EG o staroj električnoj i elektroničkoj opremi i njenoj primjeni u skladu sa nacionalnim zakonom, istrošeni električni alati moraju se sakupljati odvojeno i odvesti u posebne pogone za reciklažu
 - na to podsjeća simbol  kada se javi potreba za odlaganjem

DEKLARACIJA O SUKLADNOSTI CE

- Izjavljujemo uz punu odgovornost da je ovaj proizvod opisan u "Tehnički podaci" usklađen sa slijedećim normama ili normativnim dokumentima: EN 60335, EN 61000, EN 55014 prema odredbama smjernica 2006/95/EG, 2004/108/EG, 2006/42/EG, 2000/14/EG, 2011/65/EU
- **Tehnička dokumentacija se može dobiti kod:** SKIL Europe BV (PT-SEU/ENG1), 4825 BD Breda, NL

Marijn van der Hoofden
Operations & Engineering

Olaf Dijkgraaf
Approval Manager




SKIL Europe BV, 4825 BD Breda, NL

19.12.2013

CE11

BUCI/VIBRACIJAMA

- Mjereno prema EN 60335 prag zvučnog tlaka ovog električnog alata iznosi 68 dB(A) a jakost zvuka 88 dB(A) (standardna devijacija: 3 dB), a vibracija 3,2 m/s² (postupkom na šaci-ruci; nesigurnost K = 1,5 m/s²)

- Pri mjerenju izvedenom u skladu s 2000/14/EG (EN/ISO 3744) zajamčena razina buke LWA manja je od 91 dB(A) (postupak vrednovanja usklađenosti prema Dodatku VI) Obaviješteno tijelo: KEMA, Arnhem, NL Identifikacijski broj obaviještenog tijela: 0344
- Razina emitiranja vibracija izmjerena je sukladno normiranom testu danom u EN 60335; ona se može koristiti za usporedbu jedne alatke s drugom, te preliminarnu procjenu izloženosti vibracijama pri uporabi alatke za navedene namjene
 - uporaba ove alatke za druge namjene ili s drugim ili slabo održavanim nastavcima, može u značajnoj mjeri **uvećati** razinu izloženosti
 - vrijeme tokom kojega je alatka isključena, ili je uključena ali se njome ne radi, može značajno **umanjiti** razinu izloženosti
- ! **zaštitite se od posljedica vibracija održavanjem alatke i njezinih nastavaka, održavanjem Vaših ruku toplima, te organiziranjem Vaših obrazaca rada**

SRB

Četka za korov

0700

UPUTSTVO

- Ovaj alat konstruisan je za uklanjanje korova sa terasa i između pločica
- Ovaj alat nije namenjen za profesionalnu upotrebu
- Proverite da li ambalaža sadrži sve delove prikazane na šemi ②
- U slučaju da delovi nedostaju ili su oštećeni, molimo kontaktirajte svog prodavca
- **Pažljivo pročitajte ovo uputstvo za upotrebu i sačuvajte ga za kasnije potrebe** ③
- **Posebno obratite pažnju na uputstva o bezbednosti i upozorenja; ukoliko ih ne sledite, može do do ozbiljnih povreda**

TEHNIČKI PODACI ①

ELEMENTI ALATA ②

- A** Štitnik za sečenje
- B** Točak
- C** Dugme za zaključavanje vretana
- D** Zavrtnj koluta
- E** Ključ
- F** Četka
- G** Pokazivač za četku
- H** Stezna glava
- J** Teleskopska cev
- K** Ručica
- L** Regulator zategnutosti kabla
- M** Prekidač
- N** Prerezi za hlađenje
- P** Šina za odlaganje (zavrtnji nisu priloženi)

SIGURNOST

POSEBNA SIGURNOSNA UPUTSTVA ZA ČETKE ZA KOROV

OPŠTA

- Upoznajte se sa komandama i pravilnim korišćenjem alata
- Korisnik je odgovoran za nezgode ili opasnosti kojima su izložena druga lica ili njihova imovina
- Aparat koristite samo kada je temperatura u okruženju između 0°C i 40°C
- Na ovaj alat nikada ne montirajte metalne elemente za sečenje
- Ne koristite ovaj alat za uklanjanje mokrog korova

SIGURNOST OSOBA

- Ovaj alat namenjen je za upotrebu osobama (uključujući i decu) sa smanjenim fizičkim, senzorskim ili mentalnim sposobnostima ili sa manjkom iskustva i znanja, a ako im osoba zadužena za njihovu bezbednost nije pružila odgovarajuća pomoć i uputstvo kako koristiti alat
- Vodite računa da se deca ne igraju sa alatom
- Korišćenje alata nikada nemojte dozvoliti deci ili drugim licima koja nisu upoznata sa uputstvom za njegovu upotrebu
- Kada rukujete alatom, uvek nosite štitnik za oči, pantalone sa dugim nogavicama i čvrste cipele
- Nikada ne rukujte alatom čiji je štitnik za sečenje oštećen ili nije montiran
- Nikada ne rukujte alatom u neposrednoj blizini drugih lica; prestanite sa upotrebom alata kada se u blizini nalaze druga lica (naročito deca) ili kućni ljubimci
- Nikada ne rukujte ovim alatom ukoliko ste umorni, bolesni ili pod uticajem droga, alkohola ili lekova

ELEKTRIČNA SIGURNOST

- Uvek se уверите da je napon struje isti kao i napon naveden na pločici sa nazivom alatu (alati na kojima je naveden napon od 230V ili 240V mogu da rade i na 220V)
- Povremeno proverite kabl i u slučaju oštećenja, odnesite ga kvalifikovanim licu da ga zameni
- Povremeno pregledajte produžni kabl i zamenite ga u slučaju oštećenja (**neodgovarajući produžni kablovi mogu predstavljati opasnost**)
- Isključivo koristite produžni kabl koji je namenjen za korišćenje na otvorenom i opremljen vodonepropusnim utikačem i dvostrukom utičnicom otpornom na kvašenje
- Produžni kabl koji koristite mora da bude sasvim odmotan i siguran, sa kapacitetom od 16 A
- Prilikom upotrebe alata u vlažnom okruženju, koristite sklopku na diferencijalnu struju čija je struja okidanja više 30 mA
- Nemojte gaziti, gnječiti ili potezati (produžni) kabl
- Zaštitite (produžni) kabl od toplote, ulja i oštrih ivica
- (Produžni) kabl držite podalje od rotirajuće četke
- Uvek isključite alat i izvucite utikač iz izvora napajanja ukoliko je kabl napajanja ili produžni kabl presečen, oštećen ili zapleten (**kabl ne dodirujte pre nego što izvucete utikač**)

ČETKE

- SKIL može priznati garanciju samo ukoliko je korišćen originalni pribor
- Montirajte isključivo četke čija je najveća brzina ("RPM") veća od broja obrtaja u minuti naznačenog na alatu

- Koristite isključivo četke sa prečnikom do 100 mm
- Ne koristite pohabane četke
- Mrlje od rđe ili drugi znaci hemijskih ili mehaničkih promena na materijalu koji drži niti četke mogu izazvati prevremeno pojavljivanje neispravnosti četke
- Četke čuvajte na prikladnom mestu, tako da budu zaštićene od sledećih uticaja:
 - visoke atmosferske vlažnosti, toplote, vode ili drugih tečnosti koje bi četku mogle oštetiti
 - kiselina ili kiselinskih para koje bi četku mogle oštetiti
 - niskih ambijentalnih temperatura koje izazivaju kondenzaciju na četki kada se ona skladišti u prostoru sa višim ambijentalnim temperaturama
 - deformacije bilo kojeg dela četke

PRE UPOTREBE

- Alat koristite isključivo pri dnevnom svetlu ili uz odgovarajuće veštačko osvetljenje
- Proverite funkcionisanje aparata pre upotrebe i posle svakog udara; u slučaju postojanja bilo kakvog kvara, popravku odmah poverite stručnom licu (aparatus nikada ne otvarajte sami)
- Uklonite alate za podešavanje ili ključeve za zavrtnje, pre nego što uključite aparat (**alat ili ključ koji se nalazi u delu aparata koji se okreće, može voditi povredama**)
- Pre upotrebe, pažljivo pregledajte prostor u kojem se vrši sečenje i uklonite sva strana tela koja bi alat mogao da odbaci uvis tokom sečenja (kao npr. kamenje, parčiči drveta, itd.)

TOKOM UPOTREBE

- Nikada koristite isključivo u vertikalnom položaju, sa četkom usmerenom ka tlu (**nikada ne uključujte alat u drugačijem položaju**)
- Alat koristite krećući se brzinom hoda (ne trčite)
- Ne prelazite puteve ili šljunčane staze dok je alat uključen
- Ne dozvolite da Vam bilo šta odvuče pažnju i budite usredsređeni na ono što radite
- Uvek osigurajte da u ventilacionim otvorima ne bude otpadaka

NAKON UPOTREBE

- Četka se okreće još neko vreme nakon što se alat isključi (**ne dodirujte rotirajuću četku**)
- Uvek izvucite utikač iz izvora napajanja
 - kada god ostavljate alat bez nadzora
 - pre uklanjanja zaglavljenog materijala
 - pre provere, čišćenja ili rada na alatu
 - posle udara u strano telo
 - kada god alat počne da vibrira na neuobičajen način
- Kada završite rad sa alatom, isključite motor i proverite da li su se zaustavili svi pokretni delovi
- Čuvajte alat na suvom u njegovu i zaključanom mestu, van domašaja dece

OBJAŠNJENJE SIMBOLA NA ALATU

- ③ **Upozorenje!** Pročitajte uputstvo za upotrebu
- ④ Ne izlažite alat kiši
- ⑤ Nosite zaštitne naočari i zaštitu za sluh
- ⑥ **Obratite pažnju na rizik od povreda izazvanih letućim otpacima** (druga lica držite na bezbednoj udaljenosti od radnog prostora)
- ⑦ Šake i stopala uvek držite podalje od delova koji se okreću
- ⑧ Isključite alat i izvucite utikač pre čišćenja/održavanja, ili ukoliko je (produžni) kabl oštećen ili zapleten
- ⑨ Dvostruka izolacija (nije potrebna žica za uzemljenje)
- ⑩ Alat ne odlažite u kućne otpatke

UPUTSTVO ZA KORIŠĆENJE

- Uputstvo za sastavljanje
 - ! **uvek izvucite utikač pre nego što montirate/ uklonite četku**
 - prevucite štitnik A preko kućišta motora kao što je prikazano na ilustraciji, da škljocne u odgovarajućem položaju ①
 - montirajte točak B na kućište motora kao što je prikazano na ilustraciji, da škljocne u odgovarajućem položaju ②
 - pritisnite dugme za zaključavanje vretena C i držite ga pritisnuto dok otpuštate zavrtanj koluta D pomoću ključa E ③
 - montirajte četku F tako da njen centar bude poravnat sa pokazivačem za četku G
 - zategnite zavrtanj koluta D pomoću ključa E dok pritisnete dugme za zaključavanje vretena C
 - ! **zamenite četku kada se pohaba (broj SKIL pribora 2610Z02973)**
- Podešavanje visine ④
 - otpustite steznu glavu H okretanjem u smeru kazaljke na satu
 - ! **kada alat koristite prvi put, okrenite ručku K za 90° pošto otpustite čauru za blokadu H**
 - produžite cev J na željenu visinu
 - zategnite steznu glavu H okretanjem u smeru suprotnom od kazaljke na satu
 - ! **ne primenjujte silu na alat prilikom izvlačenja/ uvlačenja cevi do željene visine**
- Regulator zategnutosti kabla ⑤
 - omču produžnog kabla zakačite za regulator zategnutosti L prema ilustraciji
 - dobro zategnite da biste učvrstili produžni kabl
- Uključivanje/isključivanje ⑥
 - uključite alat pritiskom prekidača M
 - isključite alat otpuštanjem prekidača M
 - ! **posle isključivanja alata, četka se okreće još nekoliko trenutaka**
 - sačekajte da četka prestane da se okreće pre nego što ponovo uključite alat
 - ! **uključivanje i isključivanje nemojte vršiti naglo**
- Pre korišćenja električnog alata
 - neka četka F ⑩ obavezno bude pravilno montirana, a zavrtanj koluta D ⑬ čvrsto zategnut
 - probno pokrenite alat najmanje 30 sekundi na najvećoj brzini pri praznom hodu i u sigurnom položaju
 - odmah prekinite rad ukoliko dođe do većih vibracija ili drugih nepravilnosti u radu i pregledajte alat, da biste odredili uzrok
- Uklanjanje korova
 - ! **neka prostor u kojem se vrši sečenje bude bez kamenja, otpadaka i drugih stranih tela**
 - neka donja strana alata obavezno stoji ravno
 - počnite sa radom tek kada se motor pokrene
 - rad započnite blizu mrežne utičnice i od nje se udaljavajte tokom rada
 - alat držite podalje od čvrstih predmeta i biljaka
 - alat ne koristite predugo na jednom mestu
 - ne preopterećujte alat
- Držanje i upravljanje alata ⑰
 - držite čvrsto alat jednom rukom
 - usmeravajte alat konstantnom brzinom iznad radne površine

- održavajte stabilan položaj tokom rada
- alat uvek držite na izrazitoj udaljenosti od tela

SAVETI ZA PRIMENU

- Za postizanje najboljih rezultata, isprobajte alat na malom delu površine i proverite da li na pločicama ima oštećenja
- Redovnim plevljenjem pospešuje se uklanjanje upornog korova
- Za više saveta pogledajte www.skil.com

ODRŽAVANJE / SERVIS

- Ovaj alat nije namenjen za profesionalnu upotrebu
- Alat i kabl uvek održavajte čistim
 - ! **pre čišćenja iskopčajte kabl iz utičnice**
 - redovno čistite ventilacione proreze N ② mekom tkaninom
 - redovno uklanjajte prljavštinu sa štitnika sečiva A ② koristeći meku četku
- Skladištenje ⑱
 - čuvajte alat na suvom u **njegovu** i zaključanom mestu, van domašaja dece
 - šinu za odlaganje dobro pričvrstite P za zid pomoću 4 zavrtnja (**nisu priloženi**) u horizontalnom položaju
- Ako bi alat i pored brižljivog postupka izrade i kontrole nekada otkazao, popravku mora vršiti neki autorizovani servis za SKIL-električne alate
 - pošaljite **nerastavljeni** alat zajedno sa potvrdom o kupovini vašem nabavljaču ili najbližem SKIL servisu (adrese i oznake rezervnih delova možete naći na www.skil.com)

REŠAVANJE PROBLEMA

- Na spisku koji sledi dati su simptomi problema, mogući uzroci i postupci namenjeni njihovom otklanjanju (ukoliko ovim putem problem ne bude otkriven, obratite se prodavcu ili servisu)
 - ! **isključite alat i izvucite utikač pre nego što se posvetite istraživanju problema**
- ★ Alat ne funkcioniše
 - neispravna utičnica napajanja -> upotrebite drugu utičnicu
 - oštećen produžni kabl -> zamenite produžni kabl
 - četka nepravilno montirana -> ponovo montirajte četku
- ★ Isprekidan rad alata
 - neispravno unutrašnje ožičenje -> obratite se prodavcu/servisu
 - neispravan prekidač za uključivanje/isključivanje -> obratite se prodavcu/servisu
- ★ Korov nije u potpunosti uklonjen
 - četka oštećena/pohabana -> zamenite četku

ZAŠTITA OKOLINE

- **Električne alate, pribora i ambalaže ne odlazite u kućne otpatke** (samo za EU-države)
 - prema Evropskoj direktivi 2012/19/EG o staroj električnoj i elektronskoj opremi i njenoj upotrebi u skladu sa nacionalnim pravom, električni alati koji su istrošeni moraju biti sakupljeni odvojeno i dostavljeni pogonu za reciklažu
 - simbol ⑩ će vas podsetiti na to

DEKLARACIJA O USKLAĐENOSTI CE

- Izjavljujemo na vlastitu odgovornost da je pod "Tehnički podaci" opisani proizvod usaglašen sa sledećim standardima ili normativnim aktima: EN 60335, EN 61000, EN 55014 prema odredbama smernica 2006/95/EG, 2004/108/EG, 2006/42/EG, 2000/14/EG, 2011/65/EU
- Tehnička dokumentacija kod:** SKIL Europe BV (PT-SEU/ENG1), 4825 BD Breda, NL

Marijn van der Hoofden
Operations & Engineering

Olaf Dijkgraaf
Approval Manager

SKIL Europe BV, 4825 BD Breda, NL

19.12.2013

CE11

BUKA/VIBRACIJE

- Mereno u skladu sa EN 60335 nivo pritiska zvuka ovog alata iznosi 68 dB(A) a jačina zvuka 88 dB(A) (normalno odstupanje: 3 dB), a vibracija 3,2 m/s² (mereno metodom na šaci-ruci; nesigurnost K = 1,5 m/s²)
 - Garantovani nivo jačine zvuka LWA, izmeren u skladu sa 2000/14/EG (EN/ISO 3744) niži je od 91 dB(A) (postupak ocene usaglašenosti prema Dodatku VI)
Obavešteno telo : KEMA, Arnhem, NL
Identifikacioni broj obaveštenog tela : 0344
 - Nivo emisije vibracija izmeren je u skladu sa standardizovanim testom datim u EN 60335; on se može koristiti za upoređenje jedne alatke sa drugom, kao i za preliminarnu procenu izloženosti vibracijama pri korišćenju ove alatke za pomenute namene
 - korišćenje alatke u drugačije svrhe ili sa drugačijim ili slabo održavanim nastavcima može značajno **povećati** nivo izloženosti
 - vreme kada je alatka isključena ili kada je uključena, ali se njome ne radi, može značajno **smanjiti** nivo izloženosti
- ! zaštitite se od posledica vibracija održavanjem alatke i njenih nastavaka, održavajući Vaše ruke toplim i organizovanjem Vaših radnih obrazaca**

SLO

Krtača za plevel

0700

UVOD

- To orodje je zasnovano za odstranjevanje plevela s teras in med tlakovci
- Orodje ni namenjeno profesionalni uporabi
- Preglejte, ali embalaza vsebuje vse dele, prikazane na skici ②
- V primeru manjkajočih ali okvarjenih delov se obrnite na prodajalca
- Pred uporabo pozorno preberite navodila za uporabo in jih shranite, da jih boste lahko uporabljali tudi v prihodnosti ③**
- Posebno pozornost namenite navodilom in opozorilom o varnosti; če jih ne boste upoštevali, lahko pride do hudih poškodb**

TEHNIČNI PODATKI ①

DELI ORODJA ②

- A Zaščita rezila
- B Kolesa
- C Gumb za blokado vretena
- D Matica pritrdilne objemke
- E Ključ
- F Krtača
- G Kazalniki krtače
- H Zatisna puša
- J Teleskopska cev
- K Ročka
- L Sponka za kabel
- M Sprožilec
- N Ventilacijske reže
- P Obešalnik za shranjevanje (**vijaki niso vključeni v obseg dobave**)

VARNOST

POSEBNA VARNOSTNA NAVODILA ZA KRTAČE ZA PLEVEL

SPLOŠNO

- Seznajte se z upravljanjem in pravilno uporabo orodja
- Uporabnik je odgovoren za nezgode ali tveganja za druge osebe ali njihovo lastnino
- Orodje uporabljajte zgolj pri temperaturi okolice med 0—40°C
- Na orodje ne nameščajte kovinskih rezalnih komponent
- Orodja ne uporabljajte za odstranjevanje vlažnega plevela

OSEBNA VARNOST

- To orodje ni namenjeno uporabi s strani oseb (vključujoč tudi otroke) z zmanjšanimi fizičnimi, senzoričnimi ali mentalnimi sposobnostmi, oz. s premalo izkušenj ali znanja, edino, če slednji niso bili primerno usposobljeni iz inštruirani za uporabo tovrstnega orodja, s strani osebe, ki je odgovorna za njihovo varnost
- Zagotovite, da se otroci ne bodo igrali z orodjem
- Preprečite uporabo orodja otrokom ali osebam, ki niso seznanjene z navodili za njegovo uporabo
- Pri delu z orodjem vselej nosite zaščitna očala, dolge hlače in odporno obutev
- Orodja ne uporabljajte s poškodovano zaščito rezila ali brez nje
- Orodja ne uporabljajte v neposredni bližini oseb; orodje prenehajte uporabljati, če so v bližini osebe (zlasti otroci) ali domači ljubljenci
- Orodja nikoli ne uporabljajte, če ste utrujeni, bolni ali pod vplivom drog, alkohola ali zdravil

ELEKTRIČNA VARNOST

- Vedno preverite, če je napetost omrežja enaka napetosti, ki je navedena na tablici orodja (orodje z nazivno napetostjo 230V ali 240V lahko priključite tudi na napetost 220V)
- Periodično preverjajte kabla in naj ga zamenja strokovnjak v primeru poškodb
- Redne pregledujte podaljšek kabla, poškodovane podaljške pa menjajte (**uporaba neustreznega podaljška je lahko nevarna**)

- Uporabljajte samo podaljške kabla, ki so namenjeni zunanji uporabi ter so opremljeni s vtičem in vtičnico, odpornima proti vlagi
- Uporabljajte povsem iztegnjene in varne električne podaljške, z jakostjo 16 amperov
- Pri uporabi orodja v vlažnem okolju uporabite zaščitno napravo na diferencialni tok z občutljivostjo toka največ 30 mA
- Ne vozite čez kabel (podaljška) in ga ne zvijajte ali vlecite
- Kabel (podaljšek) zaščitite pred vročino, oljem in ostrimi robovi
- Podaljška ali kabla ne približujte vrteči se krtači
- Vselej izklopite orodje in izvlecite električni vtič iz vtičnice, če je napajalni kabel ali podaljšek prerezan, poškodovan, ali če se zaplete (**kabla se ne dotikajte, dokler ne izvlečete vtiča iz vtičnice**)

ŠČETKE

- SKIL zagotavlja brezhibno delovanje orodja le z uporabo originalnega dodatnega pribora
- Vgradite le takšne ščetke, ki imajo največjo hitrost ("RPM") večjo od števila vrtljajev na minuto, ki je označena na orodju
- Uporabljajte samo čopiče s premerom največ 100 mm
- Ne uporabljajte obrabljenih krtač
- Rja ali drugi znaki kemičnih ali mehanskih sprememb v materialu, ki drži ščetke, lahko povzročijo prezgodnjo odpoved ščetk
- Ščetke shranite na primerno mesto, da so zaščitene pred naslednjimi vplivi:
 - visoka zračna vlažnost, vročina, voda ali druge tekočine, ki bi lahko poškodovale ščetko
 - kislina ali hlapi kisline, ki bi lahko poškodovali ščetko
 - nizke temperature okolja, ki povzročijo kondenzacijo na ščetki, če jo shranjujete v območju z visoko temperaturo okolja
 - deformacija katerega koli dela ščetke

PRED UPORABO

- Orodje uporabljajte samo pri dnevni svetlobi ali ustrezni umetni razsvetljavi
- Pred vsako uporabo in po morebitnih udarcih preverite pravilno delovanje orodja; ob okvari naj orodje takej popravil ustrezno usposobljen strokovnjak (orodja ne odpirajte sami)
- Pred vklopom orodja odstranite z nje nastavitvena orodja ali vijaki ključ (**orodje ali ključ, ki se nahajata na vrtečem se delu električnega orodja, lahko povzročita nezgodo**)
- Pred uporabo temeljito preglejte območje rezanja in odstranite vse morebitne predmete, ki bi jih lahko orodje med rezanjem izvrglo (npr. kamenje, lesene delce itd.)

MED UPORABO

- Orodje uporabljajte v navpičnem položaju, s krtačo obrnjeno proti tlom (**orodja nikoli ne vklopite v drugačnem položaju**)
- Orodje upravljajte s hitrostjo hoje (ne tecite)
- Cest ali peskanih poti ne prečkajte z vklopljenim orodjem
- Ne preusmerjajte pozornosti in ostanite osredotočeni na svoje delo
- Vselej se prepričajte, da v prezračevalnih odprtinah ni ostankov

PO UPORABI

- Krtača se po izklopu orodja še nekaj časa vrti (**ne dotikajte se vrteče se krtače**)

- Vselej izvlecite električni vtič iz vtičnice
 - če pustite orodje nenadzorovano
 - preden očistite zagodzeni material
 - pred preverjanjem ali čiščenjem orodja ali opravljanjem posegov na njem
 - po udarcu ob tujek
 - če se začne orodje nenavadno tresti
- Preden orodje odložite, izključite stikalo in počakajte, da se vsi gibljivi deli popolnoma zaustavijo
- Shranjujte orodje v **zaprtem prostoru** na suhem mestu in izven dosega otrok

POJASNILO OZNAK NA ORODJU

- 3 **Opozorilo!** Preberite navodila za uporabo
- 4 Orodja ne izpostavljajte dežju
- 5 Uporabljajte zaščitna očala in zaščitno sluha
- 6 **Bodite pozorni na nevarnost, ki jo povzročajo izvrženi ostanki** (navzoče osebe naj bodo na varni razdalji od delovnega območja)
- 7 Z rokami in nogami se nikoli ne približujte vrtečim se delom kosilnice
- 8 Orodje izklopite in izvlecite električni vtič iz vtičnice pred postopkom čiščenja/vzdrževanja, ali če je kabel (podaljšek) poškodovan ali se zaplete
- 9 Dvojna izolacija (ozemljitveni kabel ni potreben)
- 10 Orodja ne odstranjujte s hišnimi odpadki

UPORABA

- Navodila za sestavljanje
 - ! **pred namestitvijo/odstranjevanjem krtače vedno odklopite vtič**
 - varovalo A potisnite preko ohišja motorja, kot kaže slika, dokler se ne zaskoči ⑪
 - kolo B namestite na ohišje motorja, kot kaže slika, dokler se ne zaskoči ⑫
 - pritisnite gumb za zaklepanje vretena C in ga zadržite, medtem ko zategujete prirobno matico D s ključem E ⑬
 - krtačo namestite F tako, da je središče poravnano s kazalnikom krtače G
 - prirobno matico D zategnite s ključem E, pri tem pa pritisnite gumb za zaklepanje vretena C
 - ! **ko se krtača obrabi, jo zamenjajte (št. dodatne opreme SKIL 2610Z02973)**
- Nastavitev višine ⑭
 - zatisno pušo H zrahljajte tako, da jo obrnete v levo
 - ! **ko orodje uporabite prvič, zavrtite ročaj K za 90°, ko sprostite manšeto za zaklepanje H**
 - cev J podaljšajte na želeno višino
 - zatisno pušo H pritegnite tako, da jo obrnete v desno
 - ! **med iztegovanjem/uvlekom cevi na zeleno višino z orodjem ne ravnejte nasilno**
- Sponka za kabel ⑮
 - s kablom naredite zanko skozi varovalno sponko L, kot je prikazano na sliki
 - z močnim potegom zanke zavarujte kabel
- Vklp/izklop ⑯
 - orodje vklopite tako, da pritisnete sprožilec M
 - orodje izklopite tako, da izpustite sprožilec M
 - ! **po izklopu orodja se krtača vrti še nekaj sekund**
 - pred ponovnim vklopom počakajte, da se krtača preneha vrteti
 - ! **hitra vklop in izklop orodja nista dovoljena**

- Pred uporabo orodja
 - prepričajte se, da je krtača F 13 pravilno nameščena in da je prirobna matica D 13 dobro zategnjena
 - napravite preizkusni zagon, tako, da vključite orodje na varnem mestu, za najmanj 30 sekund, pri največji hitrosti
 - pri močnih vibracijah ali drugih napakah, takoj izklopite orodje in ugotovite vzrok
- Odstranjevanje plevela
 - ! **zagotovite, da na območju rezanja ne bo kamenja, grušča ali drugih tujkov**
 - poskrbite, da je spodnja stran orodja vodoravna
 - delati začetne šele po zagonu motorja
 - delati začetne v bližini električne vtičnice in se med delom od nje oddaljajte
 - orodje uporabljajte zunaj dosega trdnih predmetov in rastlin
 - orodja ne uporabljajte predolgo na enem mestu
 - orodja ne preobremenjujte
- Držanje in vodenje orodja 17
 - orodje trdno držite z eno roko
 - orodje s stalno hitrostjo vodite po obdelovani površini
 - ohranite stabilen delovni položaj
 - orodje držite čim bolj stran od telesa

UPORABNI NASVETI

- Za najboljše rezultate preizkusite orodje na majhnem delu površine in preverite, da ne poškoduje tlakovcev
- Redno odstranjevanje plevela pomaga preprečiti trdovraten plevel
- Za več nasvetov glejte pod www.skil.com

VZDRŽEVANJE/SERVISIRANJE

- Orodje ni namenjeno profesionalni uporabi
- Priključni kabel in orodje naj bosta vedno čista
 - ! **izvlecite vtičak iz vtičnice pred čiščenjem**
 - odprtine za prezračevanje N 2 redno čistite z mehko krpo
 - z varovala za rezanje A 2 redno odstranjujte umazanijo z mehko krtačo
- Shranjevanje 18
 - shranjujte orodje v zaprtem prostoru na suhem mestu in izven dosega otrok
 - s štirimi vijaki (niso vključeni v obseg dobave) obešalniki za shranjevanje P previdno pritrpite vodoravno na steno
- Če bi kljub skrbnim postopkom izdelave in preizkušanja prišlo do izpada delovanja orodja, naj popravilo opravi servisna delavnica, pooblaščen za popravila SKILevih električnih orodij
 - pošljite **nerazstavljeno** orodje skupaj s potrdilom o nakupu pri vašemu prodajalcu v najbližji SKIL servisno delavnico (naslovi, kot tudi spisek rezervnih delov se nahaja na www.skil.com)

ODPRAVLJANJE NAPAK

- V naslednjem seznamu navedeni znaki težav, možni vzroki in ustrezni ukrepi za odpravljanje težav (če to ne pripomore k odkrivanju in odpravljanju težav, se obrnite na vašega prodajalca ali servisno delavnico)
 - ! **preden raziščete težavo, izklopite orodje in izvlecite vtič iz vtičnice**

- ★ Orodje ne deluje
 - vtičnica je poškodovana -> uporabite drugo vtičnico
 - podaljšek kabla je poškodovan -> menjajte podaljšek kabla
 - krtača je nameščena napačno -> namestite jo znova
- ★ Orodje deluje s prekinjivami
 - okvara notranjih električnih povezav -> obrnite se na prodajalca/servisno delavnico
 - stikalo za vklop/izklop ne deluje -> obrnite se na prodajalca/servisno delavnico
- ★ Plevel se ne odstrani v celoti
 - krtača je poškodovana/obrabljena -> zamenjajte krtačo

OKOLJE

- **Električnega orodja, pribora in embalaže ne odstranjujte s hišnimi odpadki** (samo za države EU)
 - v skladu z Evropsko direktivo 2012/19/EG o odpadni električni in elektronski opremi in z njenim izvajanjem v nacionalni zakonodaji je treba električna orodja ob koncu njihove življenjske dobe ločeno zbirati in jih predati v postopek okolju prijaznega recikliranja
 - ko je potrebno odstranjevanje, naj vas o načinu spomni simbol 10

IZJAVA O SKLADNOSTI CE

- Izjavljamo pod izključno odgovornostjo, da proizvod pod "Tehnični podatki" ustreza naslednjim standardom oz. standardiziranim dokumentom: EN 60335, EN 61000, EN 55014 v skladu z določili direktiv 2006/95/ES, 2004/108/ES, 2006/42/ES, 2000/14/ES, 2011/65/EU
- **Tehnična dokumentacija se nahaja pri:**
SKIL Europe BV (PT-SEU/ENG1), 4825 BD Breda, NL

Marijn van der Hoofden Olaf Dijkgraaf
Operations & Engineering Approval Manager




SKIL Europe BV, 4825 BD Breda, NL

19.12.2013

CE11

HRUP/VIBRACIJA

- Izmerjeno v skladu s predpisom EN 60335 je raven zvočnega pritiska za to orodje 68 dB(A) in jakosti zvoka 88 dB(A) (standarden odmik: 3 dB), in vibracija 3,2 m/s² (metoda dlan-roka; netočnost K = 1,5 m/s²)
- Zagotovljeni ravni zvočne moči in zvočnega tlaka (LWA), izmerjeni skladno z direktivo 2000/14/ES (EN/ISO 3744) sta manjši od 91 dB(A) (postopek ocene skladnosti izdelka je bil opravljen ustrezno prilogi VI)
Priglašeni organ: KEMA, Arnhem, NL
Identifikacijska številka priglašenege organa: 0344
- Raven oddajanja vibracij je bila izmerjena v skladu s standardiziranimi testi, navedenimi v EN 60335; uporabiti jo je mogoče za primerjavo različnih orodij med seboj in za predhodno primerjavo izpostavljenosti vibracijam pri uporabi orodja za namene, ki so omenjeni
 - uporaba orodja za drugačne namene ali uporaba skupaj z drugimi, slabo vzdrževanimi nastavki lahko znatno **poveča** raven izpostavljenosti

- čäs, ko je orodje izklopljeno ali ko teče, vendar z njim ne delamo, lahko znatno **zmanjša** raven izpostavljenosti!
- ! pred posledicami vibracij se zaščitite z vzdrževanjem orodja in pripadajočih nastavkov, ter tako, da so vaše roke tople, vaši delovni vzorci pa organizirani**

EST

Umbrohuhari

0700

SISSEJUHATUS

- Tööriist on mõeldud umbrohu eemaldamiseks terrassidelt ja plaatide vahedest
- Tööriist pole mõeldud professionaalseks kasutamiseks
- Kontrollige, kas pakend sisaldab kõiki joonisel ② näidatud osi
- Kui komplektist puudub mõni osa, võtke ühendust kohaliku edasimüüjaga
- **Enne seadme kasutamist lugege kasutusjuhend hoolikalt läbi ja hoidke see edaspidiseks alles** ③
- **Pöörake tähelepanu ohutusjuhistele ja hoiatustele; nende eiramine võib põhjustada raskeid vigastusi**

TEHNILISED ANDMED ①

SEADME OSAD ②

- A Kaitse
- B Ratas
- C Spindililukustusnupp
- D Tsangi lukustusmutter
- E Lehtvõti
- F Hari
- G Harja osuti
- H Fikseerimisrõngas
- J Teleskoopтору
- K Käepide
- L Juhtmeheidik
- M Päästiklüliti
- N Ohutusavad
- P Hoidik (**kruvid ei kuulu komplekti**)

OHUTUS

UMBROHUHARJADE KOHTA KÄIVAD SPETSIIFILISED OHUTUSJUHISED

ÜLDIST

- Tutvuge juhisseadmete ja seadme nõuetekohase kasutamiseega
 - Kasutaja vastutab õnnetuste ja teiste inimeste või nende vara ohustamise eest
 - Kasutage tööriista vaid ümbritsevas temperatuurivahemikus 0 °C kuni 40 °C
 - Ärge ühendage tööriista külge metallist löikeelemente
 - Ärge kasutage tööriista märja umbrohu eemaldamiseks
- ##### INIMESTE TURVALISUS
- Seade ei ole mõeldud kasutamiseks isikutele (sh lastele), kellel on puudulikud füüsilised, sensoorsed või vaimsed võimed või kellel puudub kogemus ja teadmised, välja

- arvatud juhul, kuid nad töötavad nende ohutuse eest vastutava isiku järelevalve või juhendamise all
- Kindlustage, et lapsed ei mängiks seadmega
- Ärge lugege kunagi kasutada tööriista lastel või inimestel, kes pole tutvunud selle kasutusjuhistega
- Kandke seadme kasutamisel alati kaitseprille, pikki pükse ja turvajalatsid
- Ärge kasutage tööriista, kui kaitse on kahjustatud või see pole paigaldatud
- Ärge kasutage tööriista inimeste vahetus läheduses; inimeste (eriti laste) ja loomade läheduses lõpetage tööriista kasutamine
- Ärge kunagi kasutage tööriista, kui olete väsinud, haige või olete tarvitanud alkoholi, uimasteid või ravimeid

ELEKTROOHUTUS

- Kontrollige alati, kas võrgupinge ühtib tööriista andesildil toodud pingega (andesildil toodud 230V või 240V korral võib tööriistad kasutada ka 220V võrgupinge puhul)
- Kontrollige juhet regulaarselt ja laske kahjustatud juhe ilmlemisel vastava kvalifikatsiooniga isikul välja vahetada
- Kontrollige pikendusjuhet regulaarselt ja kui juhe on vigastatud, vahetage see välja (**mittevastavad pikendusjuhtmed võivad olla ohtlikud**)
- Kasutage üksnes välitingimustes kasutamiseks ette nähtud pikendusjuhet, mis on varustatud veekindla pistikupesaga
- Pikendusjuhtmete kasutamisel jälgige, et juhe oleks lõpuni lahti keritud ja vastaks 16 A voolutugevusele
- Kui kasutate tööriista niiskes keskkonnas, kasutage rikkevoolukaitset (RCD), mille rakendusvool on maksimaalselt 30 mA
- Ärge kumistage (pikendus)juhtme otsa, muljuge ega venitage seda
- Hoidke (pikendus)juhe eemal kuumusest, õiudest ja teravatest servadest
- Hoidke (pikendus) juhe pöörlevast harjast eemal
- Lülitage alati seade välja ja ühendage see vooluvõrgust lahti, kui toitejuhe või pikendusjuhe on läbilõigatud, kahjustatud või sõlme läinud (**ärge puudutage juhet enne pistiku lahti ühendamist**)

HARJAD

- SKIL tagab seadme häireteta töö üksnes originaalvarvikute kasutamisel
- Ühendage ainult selliseid harju, mille maksimaalne kiirus ("RPM") on kõrgem kui tööriistale märgitud pöörete arv minutis
- Kasutage maksimaalselt 100 mm diameetriga harju
- Ärge kasutage kulunud harju
- Roosteplekid või muud keemiliste või mehaaniliste muutuste märgid harjajahu hoidval materjalil võivad põhjustada harja enneaegset väärtalitust
- Hoidke harju sobivas kohas kaitstuna järgmiste mõjurite eest:
 - kõrge õhuniiskus, kuumus, vesi või muud vedelikud, mis võivad harja kahjustada
 - happed või happeaurud, mis võivad harja kahjustada
 - madal ümbritseva keskkonna temperatuur, mis põhjustab kondensatsiooni harjal, kui see viiakse hoiule kõrgema temperatuuriga keskkonda
 - harja mis tahes osa deformeerumine

ENNE KASUTAMIST

- Kasutage tööriista ainult päevavalguses või piisavas tehisvalguses
- Kontrollige tööriista funktsioneerimist enne kasutamist ja pärast tugevaid lööke ning laske see rikke korral viivitamatult remonditöökojas parandada (ärge kunagi avage tööriista ise)
- Enne seadme sisselülitamist eemaldage selle küljest reguleerimis- ja mutrivõtmed (**seadme pöörleva osa küljes olev reguleerimis- või mutrivöti võib põhjustada vigastusi**)
- Enne kasutamist kontrollige tööala põhjalikult ja eemaldage sealt objektid, mille tööriist võib löikamise ajal üles paisata (nagu kivid, lahtised puutükid jne)

KASUTAMISE AJAL

- Kasutage tööriista ainult vertikaalasendis nii, et hari on suunatud maapinna poole (**ärge kunagi lülitage tööriista sisse teistsuguses asendis**)
- Töötage seadmega tavalisel kiirusel kõndides (ärge jookske)
- Ärge ületage teid ja kruusateid töötava tööriistaga
- Ärge laske oma tähelepanu kõrvale juhtida, pühenduge tööle
- Veenduge alati selles, et ventileerimisavad on prahist vabad

PÄRAST KASUTAMIST

- Hari töötab veel lühiajaliselt pärast tööriista väljalülitamist (**ärge katsuge pöörlevat harja**)
- Ühendage pistik järgmistel juhtudel alati vooluvõrgust lahti
 - kui jätate seadme järelvalveta
 - enne ummistuste eemaldamist
 - enne seadme kontrollimist, puhastamist või hooldamist
 - pärast võõrkeha tabamist
 - kui seade hakkab ebanormaalselt vibreerima
- Enne tööriista juurest lahkumist lülitage see välja ning oodake, kuni selle liikuvad osad on täielikult seisunud
- Hoidke seadet **sisetingsimustes**, kuivas ja suletud kohas, lastele kättesaamatult

TÖÖRIISTAL OLEVATE SÜMBOLITE SELGITUS

- ③ **Hoiatus!** Lugege kasutusjuhendit
- ④ Ärge jätke tööriista vihma kätte
- ⑤ Kandke kaitseprille ja kõrvaklappe
- ⑥ **Pöörake tähelepanu vigastusohule, mida põhjustab lendav prahi** (hoidke kõrvalseisjad tööalast ohutus kauguses)
- ⑦ Hoidke alati käed ja jalad pöörlevatest osadest eemal
- ⑧ Lülitage seade välja ja ühendage lahti pistik enne seadme puhastamist/hooldamist või juhul, kui toite- või pikendusjuhe on saanud kahjustada või sõlme läinud
- ⑨ Topelisolatsioon (maandusjuhe pole vajalik)
- ⑩ Ärge visake kasutuskölbmatuks muutunud tööriista ära koos olmejäätmetega

KASUTAMINE

- Paigaldusjuhised
 - ! **enne harja paigaldamist/eemaldamist ühendage voolujuhe alati lahti**
 - libistage kaitse A üle mootori korpusse (vt joonist), kuni see kohale klõpsatab ①
 - kinnitage ratas B mootori korpussele (vt joonist) nii, et see kohale klõpsatab ②
 - vajutage spindilukustusnupp C alla, hoidke seda all ning keerake samal ajal kinnitusmutter D võtme E ③ lahti

- kinnitage hari F nii, et selle keskpunkt jääb harja osutiga G ühele joonele
- pingutage kinnitusmutter D võtme E abil, vajutades samal ajal spindilukustusnupp C
- ! **kui hari on kulunud, vahetage see välja (SKIL-i lisatarviku kood 2610Z02973)**

- Kõrguse reguleerimine ⑭
 - vabastage fikseerimisrõngas H seda päripäeva keerates
 - ! **tööriista esmakordsel kasutamisel pöörake käepidet K 90° pärast fikseerimisrõnga H vabastamist**
 - pikendage toru J soovitud pikkusele
 - pingutage fikseerimisrõngas H seda vastupäeva keerates
 - ! **ärge tarvitage toru soovitud kõrgusele pikendades / kokku lükates liigset jõudu**
- Juhtmeaheldik ⑮
 - kinnitage pikendusjuhtme silmus näidatud viisil üle hoidiku L
 - pikendusjuhtme kinnitamiseks tõmmake see pingule
- Sisse/välja ⑯
 - tööriista sisselülitamiseks vajutage päästikut M
 - tööriista väljalülitamiseks vabastage päästikut M
 - ! **pärast tööriista väljalülitamist jätkab hari paari sekundi vältel pöörlemist**
 - enne tööriista uuesti käivitamist laske harjal seisma jääda
 - ! **ärge lülitage tööriista kiiresti sisse ja välja**
- Enne tööriista kasutamist
 - veenduge, et hari F ⑬ on õigesti paigaldatud ja et kinnitusmutter D ⑭ on piisavalt pingutatud
 - proovijooksuks laske tööriistal turvalises asendis vähemalt 30 sekundit maksimumkiirusel ilma koormuseta töötada
 - tugeva vibratsiooni või muu defekti korral lülitage tööriist viivitamatult välja ja selgitage välja tõrke võimalik põhjus
- Umbrohu eemaldamine
 - ! **veenduge, et pügataval alal pole kive, prahti ja muid võõrkehi**
 - veenduge, et tööriista alumist külge hoitakse sirgelt
 - alustage tööd alles siis, kui mootor töötab
 - alustage tööd pistikupesa poolt ja liikuge sellest töötades eemale
 - hoidke tööriist eemal tahketest objektidest ja taimedest
 - ärge kasutage tööriista liiga kaua ühes kohas
 - vältige tööriista ülekoormamist
- Tööriista hoidmine ja juhtimine ⑰
 - hoidke tööriista kindlalt ühe käega
 - liigutage tööriista muutmatal kiirusel üle töödeldava pinna
 - hoidke stabiilset tööasendit
 - hoidke tööriista alati kehast eemal

TÖÖJUHISED

- Parimate tulemuste saamiseks kasutage tööriista väikesel alal ja veenduge, et plaadid ei saa kahjustada
- Regulaarne umbrohu eemaldamine aitab lahti saada kiiresti kasvavast umbrohus
- Rohkem nõuandeid leiate aadressil www.skil.com

HOOLDUS/TEENINDUS

- Tööriist pole mõeldud professionaalseks kasutamiseks
- Hoidke seade ja toitejuhe alati puhtad
- ! enne puhastamist eemaldage seade vooluvõrgust**
 - puhastage ventilatsioonivahendid N ② regulaarselt pehme riidega
 - eemaldage kaitsmelt A ② regulaarselt pehme riidega mustus
- Hoiustamine ⑱
 - hoidke seadet **sisetingimustes**, kuivas ja suletud kohas, lastele kättesaamatult
 - kinnitage hoidik horisontaalselt P nelja kruviga seina külge (**kruvid ei kuulu komplekti**)
- Tööriist on hoolikalt valmistatud ja testitud; kui tööriist sellest hoolimata rikki läheb, tuleb see lasta parandada SKILi elektriliste käsitööriistade volitatud remonditöökojas
 - toimetage **lahtimonteerimata** seade koos ostukviitungiga tarnijale või lähimasse SKILi lepingulisse töökohta (aadressid ja tööriista varuosade joonise leiate aadressil www.skil.com)

TÖRKEOTSING

- Järgmises loendis on toodud probleemide tunnused, võimalikud põhjused ja lahendused (kui järgnevad lahendused probleemi ei tuvasta ega lahenda, võtke ühendust edasimüüja või töökojaga)
- ! enne probleemi uurimist lülitage tööriist välja ja eemaldage see vooluvõrgust**
- ★ Seade ei tööta
 - toitepistikupesa on vigane -> kasutage teist pistikupesa
 - pikendusjuhe on kahjustatud -> asendage pikendusjuhe
 - hari valesti paigaldatud -> paigaldage hari uuesti
- ★ Tööriist töötab katkendlikult
 - sisemine juhtmestik on vigane -> võtke ühendust müügiesindaja/remonditöökojaga
 - sisse-/väljalülituslüüti on vigane -> võtke ühendust müügiesindaja/remonditöökojaga
- ★ Umbrohtu ei eemaldata täielikult
 - hari on kahjustatud/kulunud -> vahetage hari välja

KESKKOND

- Ärge visake kasutuskõlbmatuks muutunud elektrilisi tööriistu, lisatarvikuid ja pakendeid ära koos olmejäätmetega** (üksnes EL liikmesriikidele)
 - vastavalt Euroopa Parlamendi ja nõukogu direktiivile 2012/19/EÜ elektri- ja elektroonikaseadmete jäätmete kohta ning direktiivi nõuete kohaldamisele liikmesriikides tuleb kasutuskõlbmatuks muutunud elektrilised tööriistad koguda eraldi ja keskkonnasäästlikult korduvkasutada või ringlusse võtta
 - seada meenutab Teile sümbol ⑩

VASTAVUSDEKLARATSIOON C E

- Kinnitame ainuvastutajana, et punktis "Tehnilised andmed" kirjeldatud toode vastab järgmistele standarditele või normdokumentidele: EN 60335, EN 61000, EN 55014 vastavalt direktiivide 2006/95/EÜ, 2004/108/EÜ, 2006/42/EÜ, 2000/14/EÜ, 2011/65/EL nõuetele

- Tehniline toimik saadaval aadressil:** SKIL Europe BV (PT-SEU/ENG1), 4825 BD Breda, NL

Marijn van der Hoofden Olaf Dijkgraaf
Operations & Engineering Approval Manager

SKIL Europe BV, 4825 BD Breda, NL

19.12.2013

CE11

MÜRA/VIBRATSIOON

- Vastavalt kooskõlas normiga EN 60335 läbi viidud mõõtmistele on tööriista helirõhk 68 dB(A) ja helitugevus 88 dB(A) (standardkõrvalekalle: 3 dB), ja vibratsioon 3,2 m/s² (kää-randme-meetod; mõõtemääramatus K = 1,5 m/s²)
- Garanteeritud müratase LWA, mis on mõõdetud vastavalt standardile 2000/14/EÜ (EN/ISO 3744) on väiksem kui 91 dB(A) (vastavuse hindamise meetod vastavalt lisale VI)
Registreeritud asutus: KEMA, Arnhem, NL
Registreeritud asutuse identifitseerimisnumber: 0344
- Tekkiva vibratsiooni tase on mõõdetud vastavalt standardis EN 60335 kirjeldatud standarditud testile; seda võib kasutada tööriistade võrdlemiseks ja tööriista kasutamisel ettenähtud töödeks esineva vibratsiooni esialgseks hindamiseks
 - tööriista kasutamisel muudeks rakendusteks või teiste/ halvasti hooldatud tarvikute kasutamisel võib vibratsioon märkimisväärselt **suurened**
 - ajal, kui tööriist on väljalülitatud või on küll sisselülitatud, kuid tegelikult seda ei kasutata, võib vibratsioon märkimisväärselt **vähened**
- ! enda kaitsmiseks vibratsiooni eest hoolitage tööriista ja selle tarvikuid korralikult, hoidke oma käed soojad ja tagage sujuv töökorraldus**

LV

Nezāļu suka

0700

IEVADS

- Šis darbarīks ir izstrādāts nezāļu izņemšanai no terasēm un starp flīzēm
- Šis instruments nav paredzēts profesionālai lietošanai
- Pārbaudiet vai iepakojums satur visas daļas, kā tas parādīts zīmējumā ②
- Ja kāda no plāvēja daļām trūkst vai ir bojāta, lūdzu, sazinieties ar savu izplatītāju
- Pirms lietošanas rūpīgi izlasiet šos norādījumus un saglabājiet to vēlākai uziņai ③
- Stingri ievērojiet drošības instrukcijas un brīdinošos norādījumus, jo pretējā gadījumā jūs riskējat gūt smagu savainojumu

TEHNISKIE PARAMETRI ①

INSTRUMENTA ELEMENTI ②

- A Pļaušanas aizsargs
- B Rītenis
- C Darbvārpstas fiksācijas poga
- D Turētājaptveres uzgrieznis
- E Uzgriežņu atslēga
- F Suka
- G Sukas indikators
- H Fiksējošā uzmava
- J Teleskopiskā caurule
- K Rokturis
- L Vada ierobežotājs
- M Ieslēgšanas slēdzis
- N Ventilācijas atveres
- P Uzglabāšanas statni (skrūves netiek piegādātas)

DROŠĪBA

ĪPAŠI DROŠĪBAS NORĀDĪJUMI NEZĀĻU SUKĀM

VISPĀRĒJIE DROŠĪBAS NOTEIKUMI

- Iepazīstieties ar instrumenta vadību un pareizu lietošanu
- Lietotājs ir atbildīgs par negadījumiem vai apdraudējumiem, kas notiek ar citiem cilvēkiem vai viņu mantu
- Instrumentu lietojiet tikai pie temperatūras no 0°C līdz 40°C
- Neuzstādieliet uz šī instrumenta metāla griežņus
- Nelietot darbarīku mitru nezāļu izņemšanai

PERSONISKĀ DROŠĪBA

- Šis instruments nav paredzēts ekspluatēt personām (tostarp bērniem) ar ierobežotām fiziskām, uztveres vai garīgām spējām, kā arī tiem, kuriem nav vajadzīgās pieredzes un zināšanu, ja vien persona, kas atbild par drošību, viņus neuzrauga vai nesniedz norādījumus par šī instrumenta lietošanu
- Uzmaniet, lai bērni nespēlotos ar šo instrumentu
- Nelaujiet bērniem vai personām, kas nav iepazīzināšas ar lietošanas instrukcijām, izmantot šo instrumentu
- Darbinot instrumentu, vienmēr valkājiet aizsargbrilles, garas bikses un stingrus apavus
- Nedarbiniet instrumentu, ja griešanas aizsargs ir bojāts vai griešanas aizsargs nav uzstādīts
- Nedarbiniet instrumentu, ja tiešā tuvumā ir personas; pārtrauciet lietot instrumentu, kamēr tuvumā ir personas (īpaši bērni) vai mājdzīvnieki
- Nekad nedarbiniet darbarīku, kad esat noguris, slims, alkohola, narkotisku vielu reibumā vai medikamentu ietekmē

ELEKTRODROŠĪBA

- Vienmēr pārliecinieties, ka spriegums, kas uzrādīts uz instrumenta marķējuma plāksnītes, atbilst padeves spriegumam elektrotīklā (230V vai 240V spriegumam paredzētie instrumenti var darboties arī no 220V elektrotīklā)
- Periodiski pārbaudiet kabeli un, atklājot bojājumu, tā nomainītu drīkst veikt tikai pieredzējis speciālists
- Periodiski pārbaudiet pagarinātāja vadu un nomainiet to, ja tas bojāts (**nepiemērots pagarinājuma vads var būt bīstams**)
- Lietojiet tikai pagarinātāja vadu, kas paredzēts izmantošanai ārpus telpām un aprīkots ar ūdensnecaurlaidīgu spraudni un sakabes kontaktglzdu

- Lietojiet pilnīgi atītus un drošus pagarinātājkaabeļus, kas paredzēti 16 A strāvai
- Kad darbarīks darbojas mitrā vidē, lietojiet strāvas noplūdes drošinātāju (RCD) ar 30 mA maksimālo atslēgšanas strāvu
- Nedrīkst (pagarinājuma) vadam braukt pāri, nedrīkst to saspīest vai izvilkēt
- Sargājiet (pagarinājuma) vadu no karstuma, eļļas un asām apmalēm
- Turiet (pagarinājuma) vadu drošā attālumā no rotējošās sukas
- Vienmēr izslēdziet instrumentu un atvienojiet kontaktdakšu no strāvas avota, ja barošanas vads vai pagarinātājs ir sagriezti, bojāti vai sapinušies (**nepieskarieties kabeli pirms atvienota kontaktdakša**)

SUKAS

- Firma SKIL garantē instrumenta nevainojamu darbību tikai tad, ja tiek lietoti oriģinālie papildpiederumi
- Uzstādieliet tikai tās sukas, kurām maksimālais ātrums ("RPM") ir lielāks par apgriezieniem minūtē, kas norādīts uz instrumenta
- Lietojiet tikai sukas, kurām maksimālais diametrs ir 100 mm
- Nelietot nodilušas sukas
- Rūsa traipi vai citas materiāla ķīmisko vai mehānisko izmaiņu pazīmes, ko satur sukas vītnes, var izraisīt priekšlaicīgu sukas nefunkcionēšanu
- Uzglabājiet sukas piemērotā vietā tādā veidā, lai tās būtu aizsargātas no tālāk minētās ietekmes:
 - augsta atmosfēras mitruma, karstuma, ūdens vai citiem šķidrumiem, kas var bojāt suku
 - skābēm vai skābju izgarojumiem, kas var bojāt suku
 - zemas apkārtējās temperatūras, kas izraisa sukas kondensāciju, kad tā tiek uzglabāta vidē ar augstāku apkārtējo temperatūru
 - jebkuras sukas daļas deformācijas

PIRMS DARBA UZSĀKŠANAS

- Izmantojiet instrumentu tikai dienasgaismā vai piemērotā mākslīgā apgaismojumā
- Ik reizi pirms instrumenta izmantošanas un pēc katra trieciena pārbaudiet tā darbību; konstatējot bojājumu, nekavējoties nododiet to kvalificētam speciālistam remonta veikšanai (neatveriet instrumenta korpusu paša spēkiem)
- Pirms instrumenta ieslēgšanas neizmirstiet izņemt no tā regulējošos instrumentus vai skrūvjatslēgas (**patronatslēga vai skrūvjatslēga, kas instrumenta ieslēgšanas brīdī nav izņemta no tā, var radīt savainojumu**)
- Pirms lietošanas rūpīgi pārbaudiet griešanas zonu un novāciet katru priekšmetu, ko instruments var aizķert griešanas laikā (piemēram, akmeni, atsevišķi koka gabali, u.c.)

DARBA LAIKĀ

- Lietojiet šo darbarīku tikai vertikālā stāvoklī, lai suka būtu vērstā uz zemi (**nekad neieslēdziet darbarīku, tam atrodoties citā pozīcijā**)
- Darbiniet instrumentu tikai iešanas ātrumā (neskrieniet)
- Nešķērsojiet ceļu vai grantētu ceļu ar ieslēgtu instrumentu
- Nelaujiet novērst uzmanību un vienmēr koncentrējieties uz to, ko jūs darāt
- Vienmēr pārliecinieties, ka ventilācijas atveres ir tīras no gružiem

PĒC DARBA PABEIGŠANAS

- Suka turpina neilgu laiku griezties pēc tam, kad darbarīks ir izslēgts (**nepieskarieties rotējošai sukai**)
- Vienmēr atvienojiet kontaktdakšu no strāvas avota
 - kad atstājat instrumentu bez uzraudzības
 - pirms iesprūduša materiāla tīrīšanas
 - pirms pārbaudes, tīrīšanas vai darbībām ar instrumentu
 - pēc trieciena pa svešķermeni
 - kad instruments sāk pārmērīgi vibrēt
- Pirms instrumenta novietošanas izslēdziet to un nogaidiet, līdz tā kustīgās daļas pilnīgi apstājas
- Uzglabājiet instrumentu **telpās** sausā, augstu izvietotā vietā, kur tas nav pieejams bērniem

UZ INSTRUMENTA ATTĒLOTO SIMBOLU SKAIDROJUMS

- ③ **Brīdinājums!** Izlasiet lietošanas instrukciju
- ④ Neatstājiet instrumentu lietū
- ⑤ Darba laikā uzvelciet aizsargbrilles un ausu aizsargus
- ⑥ **Pievērsiet uzmanību savainošanās briesmām, ko rada apkārtliedzošās atdalījušās daļiņas** (klātesošajiem jāatrodas drošā attālumā no darba zonas)
- ⑦ Nekad netuviniet rokas un kājas zāles plāvēja rotējošajām daļām
- ⑧ Izslēdziet instrumentu un atvienojiet kontaktdakšu pirms tīrīšanas/apkopes vai ja (pagarinājuma) vads ir bojāts vai sapīnies
- ⑨ Divkārsa izolācija (nav jālieto zemējuma vads)
- ⑩ Neizmēģiniet nolietoto instrumentu sadzīves atkritumu tvētnē

DARBS

- Montāžas norādījumi
 - ! **vienmēr atvienojiet strāvas padeves vadu pirms sukas pievienošanas/noņemšanas**
 - bīdīet aizsargu A pāri motora korpusam, kā parādīts attēlā, līdz tas ar klikšķi nofiksējas savā vietā ⑪
 - uzstādiēt ritenīti B uz motora pārsega, kā parādīts attēlā, līdz tas ar klikšķi nofiksējas savā vietā ⑫
 - nospiediet darbvārpstas fiksēšanas pogu C un, turot to nospiestu, atskrūvējiet turētājaptveres uzgriezni D ar uzgriežņa atslēgu E ⑬
 - uzstādiēt suku tī, F lai tās vidus atrastos paralēli sukas indikatoram G
 - pieskrūvējiet turētājaptveres uzgriezni D ar uzgriežņu atslēgu, E darbvārpstas fiksācijas pogai esot nospiegtai C
 - ! **nomainiet suku, kad tā ir nodilusi (SKIL piederumu numurs 2610Z02973)**
- Augstuma regulēšana ⑭
 - atbrīvojiet fiksējošo uzmavu H to pagriežot pulksteņrādītāja virzienā
 - ! **lietojot darbarīku pirmo reizi, pagrieziet rokturi K pa 90°, kad ir atbrīvota fiksējošā uzmava H**
 - pagariniet cauruli J līdz vēlamajam augstumam
 - nostipriniet fiksējošo uzmavu H to pagriežot pretējā pulksteņrādītāja virzienā
 - ! **nepielietot spēku darbarīkam, izvelkot/ievēlot cauruli vajadzīgajā augstumā**
- Vada ierobežotājs ⑮
 - satver aiz pagarinātāja vada cilpas fiksētājā L, kā parādīts
 - stingri pievelciet, lai pagarinātāja vadu nostiprinātu

- Ieslēgšana/izslēgšana ⑯
 - ieslēdziet instrumentu, nospiežot ieslēdzēju M
 - izslēdziet instrumentu, atlaižot ieslēdzēju M
 - ! **pēc darbarīka izslēgšanas suka dažas sekundes turpina griezties**
 - ļaujiet sukai beigt griezties, pirms atkal to ieslēgt
 - ! **ieslēgt un izslēgt nedrīkst strauji**
- Pirms darba uzsākšanas
 - pārliecinieties, ka suka F ⑬ ir pareizi uzstādīta un turētājaptveres uzgrieznis D ⑬ ir cieši pieskrūvēts
 - pārbaudiet instrumentu, turot to drošā stāvoklī un ļaujot darboties pie maksimālā brīvgaits ātruma vismaz 30 sekundes
 - ja ir novērojama stipra vibrācija vai tiek konstatēti kādi citi defekti, nekavējoties izslēdziet un pārbaudiet instrumentu
- Nezāļu ravēšana
 - ! **pārliecinieties, ka griešanas zonā nav akmeņu, grūžu un citu svešķermeņu**
 - pārliecinieties, ka darbarīka apakšdaļa ir novietota taisni
 - sāciet strādāt tikai tad, kad motors darbojas
 - sāciet strādāt kontaktlīdzdas tuvumā un strādājot virzieties no tās prom
 - netuviniet darbarīku cietiem priekšmetiem un augiem
 - nelietojiet darbarīku ilgstoši vienā vietā
 - nepārslogojiet instrumentu
- Instrumenta turēšana un vadīšana ⑰
 - darba laikā turiet darbarīku stingri ar vienu roku
 - vadiet darbarīku pa apstrādājamo virsmu vienmērīgā ātrumā
 - saglabājiet stabili darba stāvokli
 - turiet instrumentu vienmēr drošā attālumā no ķermeņa

PRAKTISKI PADOMI

- Lai sasniegtu labākus rezultātus, izmēģiniet darbināt darbarīku nelielā virsmas daļā un pārbaudiet, vai netiek bojātas flīzes
- Regulāra nezāļu ravēšana palīdz izvairīties no iesakņojušām nezālēm
- Papildu ieteikumi ir sniegti datortīkla vietnē www.skil.com

APKALPOŠANA / APKOPE

- Šis darbarīks nav paredzēts profesionālai lietošanai
- Uzturiet tīru instrumentu un elektrokabēli
 - ! **pirms instrumenta tīrīšanas atvienojiet to no elektrotīkla**
 - regulāri iztīriet ventilācijas atveres N ② ar mikstu drānu
 - regulāri notīriet netīrumus no griešanas aizsarga A ② ar mikstu suku
- Uzglabāšana ⑰
 - uzglabājiet instrumentu **telpās** sausā, augstu izvietotā vietā, kur tas nav pieejams bērniem
 - nostipriniet uzglabāšanas statni P pie sienas ar 4 skrūvēm (**netiek piegādātas**) un horizontāli līmenī
- Ja, neraugoties uz augsto izgatavošanas kvalitāti un rūpīgo pēcražošanas pārbaudi, instruments tomēr sabojājās, tas jānogādā remontam firmas SKIL pilnvarotā elektroinstrumentu remonta darbnīcā

- nogādājiet instrumentu **neizjauktā veidā** kopā ar iegādes dokumentiem tuvākajā tirdzniecības vietā vai firmas SKIL pilnvarotā pēciegādes apkalpošanas un remonta iestādē (adreses un instrumenta apkalpošanas shēma ir sniegta interneta vietnē www.skil.com)

TRAUCĒJUMU NOVĒRŠANA

- Šajā sarakstā ir uzskaitītas problēmas, iespējamie cēloņi un korektīvie pasākumi (ja tās nevar atklāt un novērst šo problēmu, sazinieties ar izplatītāju vai tehniskās apkopes staciju)

! pirms sākt problēmas izpēti, izslēdziet instrumentu un atvienojiet spraudni

★ Instruments nedarbojas

- bojāta strāvas padeves kontaktligzda -> lietojiet citu kontaktligzdu
- bojāts pagarinājuma vads -> nomainiet pagarinājuma vadu
- suka nepareizi uzstādīta -> uzstādiet suku vēlreiz

★ Darbarīks strādā ar pārtraukumiem


- defekts iekšējā vadījumā -> sazinieties ar izplatītāju/tehniskās apkopes staciju
- defekts ieslēgšanas/izslēgšanas slēdzī -> sazinieties ar izplatītāju/tehniskās apkopes staciju

★ Nezāles nav pilnībā izņemtas

- suka bojāta/nodilusi -> nomainiet suku

APKĀRTĒJĀS VIDES AIZSARDZĪBA

- **Neizmetiet elektroiekārtas, piederumus un iesaiņojuma materiālus sadzīves atkritumos** (tikai ES valstīm)

- saskaņā ar Eiropas Savienības direktīvu 2012/19/ES par nolietotajām elektriskajām un elektroniskajām iekārtām un tās atspoguļojumiem nacionālajā likumdošanā, nolietotās elektroiekārtas ir jāsavāc, jāizjauc un jānogādā atreizējai pārstrādei apkārtējai videi nekaitīgā veidā
- īpašs simbols  atgādina par nepieciešamību izstrādājumus utilizēt videi nekaitīgā veidā

ATBILSTĪBAS DEKLARĀCIJA CE

- Mēs ar pilnu atbildību paziņojam, ka sadaļā "Tehniskie parametri" aprakstītais izstrādājums atbilst šādiem standartiem vai normatīvajiem dokumentiem: EN 60335, EN 61000, EN 55014, kā arī direktīvām 2006/95/EK, 2004/108/EK, 2006/42/EK, 2000/14/EK, 2011/65/ES
- **Tehniskā dokumentācija no:** SKIL Europe BV (PT-SEU/ENG1), 4825 BD Breda, NL

Marijn van der Hoofden
Operations & Engineering

Olaf Dijkgraaf
Approval Manager




SKIL Europe BV, 4825 BD Breda, NL

19.12.2013

CE11

TROKSNIS/VIBRĀCIJA



- Saskaņā ar standartu EN 60335 noteiktais instrumenta radītā trokšņa skaņas spiediena līmenis ir 68 dB(A) un skaņas jaudas līmenis ir 88 dB(A) (pie tipiskās izkliedes 3 dB), un vibrācijas paātrinājums ir 3,2 m/s² (roku-delnu metode; izkliede K = 1,5 m/s²)
- Mērīts saskaņā ar Direktīvu 2000/14/EK (EN/ISO 3744) garantētais skaņas jaudas līmenis LWA ir zemāks nekā 91 dB (A) (atbilstība ir noteikta saskaņā ar pielikumu VI) Pilnvarotā iestādē : KEMA, Arnhem, NL
- Pilnvarotās iestādes identifikācijas numurs : 0344
- Vibrācijas līmenis ir noteikts, izmantojot standartā EN 60335 paredzēto procedūru; to var izmantot, lai salīdzinātu instrumentus un provizoriski ievērtētu vibrācijas iedarbību, lietojot instrumentu minētajiem mērķiem
 - instrumenta izmantošana citiem mērķiem vai ar citiem vai nepietiekami kopiem piederumiem var ievērojami **palielināt** kopējo vibrācijas iedarbības pakāpi
 - laika periodi, kad instruments ir izslēgts vai arī ir ieslēgts, taču darbs ar to nenotiek, var ievērojami **samazināt** kopējo vibrācijas iedarbības pakāpi
- ! **pasargājiet sevi no vibrācijas iedarbības, veicot instrumenta un tā piederumu tehnisko apkopi, novērsot roku atdzišanu un pareizi organizējot darbu**

LT

Žolių šepetys

0700

ĪVADAS

- Šis īranks skirtas terasose ir tarp plytelių augančioms žolėms ravėti
- Šis prietaisais neskirtas profesionaliam naudojimui
- Tikrinkite, ar pakuotėje yra visos dalys, vaizduojamos 
- Jei trūksta dalių arba jos yra pažeistos, susisiekite su savo pardavėju
- **Atidžiai perskaitykite šį vartotojo vadovą ir išsaugokite jį ateičiai** 
- Ypatingą dėmesį atkreipkite į saugos instrukciją nuorodas bei įspėjimus užrašus; jei nepaisysite šių nuorodų, gali kilti sunkių sužeidimų pavojus

TECHNINIAI DUOMENYS

PRIETAISO ELEMENTAI

- A Apsauga
- B Ratas
- C Suklio blokavimo mygtukas
- D Įvorės veržlė
- E Raktas
- F Šepetys
- G Šepečio indikatorius
- H Užraktinis žiedas
- J Teleskopinis vamzdis
- K Rankena
- L Laido laikiklis
- M Gaiduko jungiklis
- N Ventiliacinės angos
- P Pakaba (**varžtai nepateikiami**)

SAUGA

SPECIALŪS DARBO ŽOLIŲ ŠEPEČIAIS SAUGOS NURODYMAI

BENDROJI DALIS

- Išsiaiškinkite prietaiso valdiklius ir tinkamą paskirtį
- Už nelaimingus atsitikimus ir kitų žmonių sveikatai ar turtui padarytą žalą atsako prietaiso naudotojas
- Prietaisą naudokite tik 0–40 °C aplinkos temperatūroje
- Draudžiama šiame prietaise montuoti metalinius pjaunamuosius elementus
- Prietaisu neravėkite šlapios žolės

ŽMONIŲ SAUGA

- Šis prietaisas nėra skirtas naudoti asmenims (įskaitant vaikus), kurie turi menkus fizinius, jutimų ar psichikos sugebėjimus arba kurie stokoja patirties ir žinių; tokius asmenis turi prižiūrėti už jų saugą atsakingas asmuo arba jis turi jiems suteikti instrukcijas dėl prietaiso naudojimo
- Pasirūpinkite, kad vaikai nežaistų su prietaisu
- Neleiskite prietaiso naudoti vaikams ar asmenims, kurie nežino jo naudojimo instrukcijų
- Dirbdami prietaisu, būtinai dėvėkite apsauginius akinius, vilkėkite ilgus kelnes, avėkite tvirtus batus
- Draudžiama prietaisu dirbti, jei sugadinta arba neuždėta apsauga
- Draudžiama prietaisu dirbti, kai šalia yra žmonių; jei greta yra žmonių (ypač vaikų) ar gyvūnų, nustokite dirbti prietaisu
- Draudžiama prietaisu dirbti pavargus, sergant, apsvaigus nuo alkoholio, medikamentų ar kitų svaigųjų medžiagų

ELEKTROSAUGA

- Visada patikrinkite, ar elektros tinklo įtampa sutampa su įtampos dydžiu, nurodytu prietaiso vardinėje lentelėje (prietaisu su nurodyta įtampa 230V ir 240V galima jungti į 220V įtampos elektros tinklą)
- Periodiškai tikrinkite kabelius ir pažeistus kabelius turi pakeisti kvalifikuotas elektrikas
- Periodiškai tikrinkite ir, jei sugadintas, keiskite ilginamąjį kabelį (**naudoti netinkamos būklės ilginamuosius kabelius gali būti pavojinga**)
- Naudokite tik lauko darbams skirtus ilginamuosius kabelius su vandeniu nelaidžiais kištukais ir lizdais
- Naudojami ilginamuosius kabelius atkreipkite dėmesį į tai, kad kabelis būtų iki galo išvyniotas ir būtų pritaikytas 16 A elektros srovei
- Jei prietaisu dirbate drėgnoje aplinkoje, naudokite liekamosios srovės prietaisą (RCD), kurio suveikimo srovės stiprumas ne didesnis kaip 30 mA
- Laido (ir ilginamojo kabelio) nespauskite, netraukite, ant jo nelipkite ir nevažiuokite
- Laidą (ir ilginamąjį kabelį) saugokite nuo karščio, tepalų ir aštrių briaunų
- Saugokite, kad besisukančiu šepėčiu neužkliudytumėte laido ar ilginamojo kabelio
- Jei maitinimo laidas arba ilginamasis kabelis įpjautas, pažeistas arba susipainiojęs, būtinai išjunkite prietaisą ir ištraukite maitinimo laido kištuką iš elektros tinklo lizdo (**prieš ištraukdami kištuką nelieskite kabelio**)

ŠEPEČIAI

- SKIL gali garantuoti nepriekaištingą prietaiso veikimą tik tuo atveju, jei naudojama originali papildoma įranga ir priedai

- Prie įrankio tvirtinkite tik šepėčius, kurių didžiausias greitis ("RPM") yra didesnis už apsučių skaičių per minutę, nurodytą ant įrankio
- Naudokite tik ne didesnio kaip 100 mm skersmens šepėčius
- Nenaudokite nusidėvėjusių šepėčių
- Dėl rūdžių ar kitų medžiagos, laikančios šepėčio sriegius, cheminio ar mechaninio pažeidimo šepėtys gali pirma laiko nustoti veikti
- Šepėčius laikykite tinkamoje vietoje, apsaugotoje nuo šio aplinkos poveikio:
 - didelio oro drėgnio, šilumos, vandens ir kitų skysčių, galinčių sugadinti šepetį
 - rūgščių ar jų garų, galinčių sugadinti šepetį
 - žemos aplinkos temperatūros, dėl kurios ant šepėčio, pernešto iš aukštesnės temperatūros, galėtų kondensuotis drėgmė
 - bet kurios šepėčio dalies deformacijos

PRIEŠ EKSPLOATACIJĄ

- Prietaisu dirbkite tik šviesiuoju paros metu ar esant pakankamam dirbtiniam apšvietimui
- Prieš kiekvieną naudojimą ir po smūgio ar sukūrimo tikrinkite, ar prietaisas nepriekaištingai veikia; atsiradus gedimui, kreipkitės į kvalifikuotą specialistą (prietaiso niekada neardykite patys)
- Prieš įjungdami prietaisą pašalinkite reguliavimo įrankius arba veržlių raktus (**prietaisu besisukančioje dalyje esantis įrankis ar raktas gali tapti sužalojimų priežastimi**)
- Prieš pradėdami darbą atidžiai apžiūrėkite pjovimo vietą ir pašalinkite visus pašalinius daiktus, kurios dirbant prietaisas galėtų nusviesti (pavyzdžiui, akmenis, palaidas šakelas ar medžio gabaliukus ir t. t.)

EKSPLOATACIJA

- Dirbdami prietaisą laikykite vertikalių, šepėčių į žemę (**draudžiama įjungti kitaip laikomą prietaisą**)
- Dirbdami prietaisu tik vaikščiokite (nebėkite)
- Veikiančių įrankių nekirkite kelių ar žvyruotų takelių
- Nesiblaškykite ir visada sutelkite dėmesį į atliekamą darbą
- Būtinai pasirūpinkite, kad vėdinimo angos nebūtų užkimštos šiukšlių

PO EKSPLOATACIJOS

- Išjunkite prietaisą, peilis dar kurį laiką sukasi (**nelieskite besisukančio šepėčio**)
- Būtinai ištraukite kištuką iš elektros tinklo lizdo
 - prieš palikdami prietaisą be priežiūros
 - prieš valydami įstrigusias medžiagas
 - prieš prietaisą tikrindami, valydami ar tvarkydami
 - atsitrenkę į pašalinį daiktą
 - prietaisui pradėjus neįprastai vibruoti
- Prieš padėdami prietaisą jį išjunkite ir palaukite, kol visos besisukančios jo dalys galutinai sustos
- Laikykite prietaisą **patalpoje**, sausoje ir rakinamoje, vaikams neprieinamoje vietoje

ANT PRIETAISO ESANČIŲ SIMBOLIŲ REIKŠMĖS

- ③ **Įspėjimas!** Perskaitykite instrukciją
- ④ Nepalikite prietaiso lietuje
- ⑤ Užsidėkite apsauginius akinius ir klausos apsaugos priemonės
- ⑥ **Paisykite skriejančių šiukšlių keliamo pavojaus sveikatai** (pasirūpinkite, kad žmonės būtų saugiai atstumu nuo darbo zonos)

- ⑦ Niekada nekiškite rankų ir kojų prie besisukančių dalių
- ⑧ Prieš valydami ar atlikdami priežiūrą arba jei pažeistas ar susipainiojęs maitinimo laidas ar ilginamasis kabelis, išjunkite maitinimą ir ištraukite maitinimo laido kištuką iš elektros tinklo lizdo
- ⑨ Dviguba izoliacija (įžeminimo laido nereikia)
- ⑩ Nemeskite prietaisus į buitinių atliekų konteinerius

NAUDOJIMAS

- Surinkimo instrukcijos
 - ! prieš dėdami ar nuimdami šepetį būtina ištraukite kištuką iš elektros lizdo
 - kaip vaizduojama paveiksle, stumdami ant variklio korpuso uždėkite apsaugą A, kol ji spragtelėdama užsifiksuos ⑪
 - kaip vaizduojama paveiksle, stumdami ant variklio korpuso uždėkite ratuką B, kol jis spragtelėdamas užsifiksuos ⑫
 - nuspauskite veleno fiksatoriaus mygtuką C ir, laikydami jį nuspausta, veržliarakčiu D atleiskite veržlę E ⑬
 - uždėkite šepetį F, jo vidurį sulygiuodami su šepetio indikatoriumi G
 - laikydami nuspaudę veleno fiksatoriaus mygtuką C veržliarakčiu E priveržkite veržlę D
 - ! nusidėvėjusį šepetį pakeiskite (SKIL priedo numeris 2610Z02973)
- Aukščio reguliavimas ⑭
 - sukdami pagal laikrodžio rodyklę, atleiskite užraktinį žiedą H
 - ! Jeigu prietaisą naudojate pirmą kartą, atleidę užraktinį žiedą H pasukite rankeną K 90° kampu
 - kiek reikia ištraukite vamzdį J
 - sukdami prieš laikrodžio rodyklę, užveržkite užraktinį žiedą H
 - ! ištraukdami arba sustumdami vamzdį nespauskite įrankio
- Laido laikiklis ⑮
 - kaip vaizduojama paveiksle, ilginamojo kabelio kilpą permeskite per laikiklį L
 - tvirtai patraukdami, įtvirtinkite ilginamąjį kabelį
- Įjungimas/išjungimas ⑯
 - įjunkite prietaisą paspausdami gaiduko jungiklį M
 - išjunkite prietaisą atleisdami gaiduko jungiklį M
 - ! išjungus prietaisą, šepetys dar keletą sekundžių sukasi
 - prieš vėl įjungdami palaukite, kol šepetys sustos
 - ! greitai paeiliui neįjunkite ir neišjunkite prietaiso
- Prieš pradėdami eksploatuoti prietaisą
 - įsitinkinkite, kad šepetys F ⑬ tinkamai uždėtas, o veržlė D ⑬ gerai priveržta
 - patikrinkite prietaiso veikimą: leiskite prietaisui saugioje padėtyje bent 30 sekundžių dirbti be apkrovos didžiausiu greičiu
 - jei prietaisas smarkiai vibruoja ar pastebite kitokius defektus, tuoj pat jį išjunkite ir pasistenkite išsiaiškinti priežastį
- Žolių ravėjimas
 - ! pasirūpinkite, kad pjovimo vietoje nebūtų akmenų, šiukšlių ir kitų pašalinių daiktų
 - prietaiso apatinę pusę laikykite horizontalią
 - dirbti pradėkite tik varikliui veikiant

- pradėkite dirbti arti elektros tinklo lizdo ir dirbdami nuo jo tolkite
- ravėkite atokiau nuo kitų objektų ir augalų
- per ilgai nenaudokite prietaiso vienoje vietoje
- neperkraukite prietaiso
- Prietaiso laikymas ir valdymas ⑰
 - viena ranka tvirtai laikykite prietaisą
 - prietaisą vienodu greičiu stumkite ravimu paviršiumi
 - dirbdami stovėkite tvirtai
 - prietaisą visada laikykite atokiau nuo kūno

NAUDOJIMO PATARIMAI

- Kad gautumėte geriausių rezultatų, išbandykite prietaisą mažame plote ir patikrinkite, ar nepažeistos plytelės
- Reguliariai ravėdami išvengsite atkakliai augančių piktžolių
- Daugiau patarimų rasite internete www.skil.com


PRIEŽIŪRA / SERVISAS

- Šis prietaisas neskirtas profesionaliam naudojimui
- Periodiškai valykite prietaisą ir kabelį
 - ! prieš valydami ištraukite kištuką iš elektros tinklo lizdo
 - minkšta šluoste reguliariai valykite vėdinimo angas N ②
 - minkštu šepetėliu nuo apsaugos A ② reguliariai valykite nesvarumus
- Laikymas ⑱
 - laikykite prietaisą **patalpoje**, sausoje ir rakinamoje, vaikams neprieinamoje vietoje
 - keturiais varžtais (**ne pateikiami**) prie sienos patikimai pritvirtinkite pakabą P, kad ji būtų horizontali
- Jeigu prietaisas, nepaisant gamykloje atliekamo kruopštaus gamybos ir kontrolės proceso, vis dėlto sugestų, jo remontas turi būti atliekamas įgaliotose SKIL elektrinių įrankių remonto dirbtuvėse
 - **neišardyta** prietaisą kartu su pirkimo čekiu siųskite tiekėjui arba į artimiausią SKIL firmos įgaliotą elektros prietaisų techninio aptarnavimo tarnybą (adresus bei atsarginių dalių brėžinius rasite www.skil.com)

TRIKŪPŲ DIAGNOSTIKA

- Toliau pateiktame sąraše aprašomi sutrikimų požymiai, galimos priežastys ir šalinimo veiksmai (jei naudojantis šiais patarimais nepavyko nustatyti ir pašalinti sutrikimo, kreipkitės į prekybos atstovą arba techninės priežiūros punktą)
 - ! prieš tirdami sutrikimą, išjunkite prietaisą ir ištraukite kištuką iš elektros lizdo
- ★ Prietaisas neveikia
 - sugedęs elektros tinklo lizdas -> junkite į kitą lizdą
 - sugadintas ilginamasis kabelis -> keiskite ilginamąjį kabelį
 - netinkamai uždėtas šepetys -> iš naujo uždėkite šepetį
- ★ Prietaisas veikia su pertrūkiais
 - sugedusi vidinė elektros instaliacija -> kreipkitės į prekybos atstovą arba techninės priežiūros punktą
 - sugedęs įjungimo ir išjungimo jungiklis -> kreipkitės į prekybos atstovą arba techninės priežiūros punktą
- ★ Išravima ne visa žolė
 - sugadintas arba nusidėvėjęs šepetys -> keiskite šepetį

APLINKOSAUGA

- **Nemeskite elektrinių įrankių, papildomos įrangos ir pakuotės į buitinių atliekų konteinerius** (galioja tik ES valstybėms)
 - pagal ES Direktyvą 2012/19/EG dėl naudotų elektrinių ir elektroninių prietaisų atliekų utilizavimo ir pagal vietinius valstybės įstatymus atitarnavę elektriniai įrankiai turi būti surenkami atskirai ir gabunami į antrinių žaliavų tvarkymo vietas, kur jie turi būti sunaikinami ar perdirbami aplinkai nekenksmingu būdu
 - apie tai primins simbolis , kai reikės išmesti atitarnavusį prietaisą

ATITIKTIES DEKLARACIJA CE

- Atsakingai pareiškiame, kad skyriuje "Techniniai duomenys" aprašytas gaminyje atitinka žemiau pateiktus standartus ir norminius dokumentus: EN 60335, EN 61000, EN 55014 pagal direktyvų 2006/95/EB, 2004/108/EB, 2006/42/EB, 2000/14/EB, 2011/65/ES reikalavimus
- **Techninė byla laikoma:** SKIL Europe BV (PT-SEU/ENG1), 4825 BD Breda, NL

Marijn van der Hoofden
Operations & Engineering

Olaf Dijkgraaf
Approval Manager



SKIL Europe BV, 4825 BD Breda, NL

19.12.2013

CE11

TRIUKŠMINGUMAS/VIBRACIJA



- Šio prietaiso triukšmingumas buvo išmatuotas pagal EN 60335 reikalavimus; keliamo triukšmo garso slėgio lygis siekia 68 dB(A) ir akustinio galingumo lygis 88 dB(A) (standartinis nuokrypis: 3 dB), ir vibracijos pagreitis rankos plaštakos srityje tipiniu atveju yra mažesnis, kaip $3,2 \text{ m/s}^2$ (paklaida $K = 1,5 \text{ m/s}^2$)
 - Išmatavus pagal 2000/14/EB (EN/ISO 3744) reikalavimus, garantuotas garso galingumas LWA yra mažesnis nei 91 dB(A) (atitikties vertinimas atliktas pagal VI priedą)
Notifikuota institucija: KEMA, Arnhem, NL
Notifikuotos institucijos identifikavimo numeris: 0344
 - Vibracijos sklaidos lygis išmatuotas pagal standarte EN 60335 išdėstytus standartizuoto bandymo reikalavimus; ši vertė gali būti naudojama vienam įrankiui palyginti su kitu bei išankstiniams vibracijos poveikiui įvertinti, kai įrankis naudojamas paminėtais būdais
 - naudojant įrankį kitokiais būdais arba su kitokiais bei netinkamai prižiūrimais priedais, gali žymiai **padidėti** poveikio lygis
 - laikotarpiams, kai įrankis išjungtas arba yra įjungtas, tačiau juo nedirbama, gali žymiai **sumažėti** poveikio lygis
- ! apsisaugokite nuo vibracijos poveikio prižiūrėdami įrankį ir jo priedus, laikydami rankas šiltai ir derindami darbo ciklus su pertraukėlėmis**

МК

Четка за коров

0700

УПАТСТВО

- Овој алат е наменет за отстранување коров од тераси и меѓу плочки
- Овој алат не е наменет за професионална употреба
- Проверете дали пакувањето ги содржи сите делови коишто се прикажани на сликата 
- Контактирајте со продавачот ако недостасуваат делови или истите се оштетени
- **Внимателно прочитајте го упатството за работа пред употреба и зачувајте го за идни осврти** 
- **Обрнете особено внимание на безбедносните упатства и предупредувања; недоследноста може да доведе до сериозна повреда**

ТЕХНИЧКИ ПОДАТОЦИ

ЕЛЕМЕНТИ НА АЛАТОТ

- A** Штитник при сечење
- B** Тркало
- C** Копче за заклучување на вретеното
- D** Навртка за обрачот
- E** Клуч
- F** Четка
- G** Индикатор за четката
- H** Глава за стегање
- J** Телескопска цевка
- K** Дршка
- L** Водилка за кабелот
- M** Прекинувач за активирање
- N** Отвори за вентилација
- P** Шина за складирање (**шрафовите не се достапуваат**)

БЕЗБЕДНОСТ

СПЕЦИФИЧНИ БЕЗБЕДНОСНИ УПАТСТВА ЗА ЧЕТКИТЕ ЗА КОРОВ

ОПШТИ

- Запознајте се со контролите и со правилната употреба на косилката
- Корисникот е одговорен за несреќните случаи или штетите што ќе се предизвикаат кај други лица или на нивниот имот
- Користете ја машината само ако температурата на воздухот е меѓу 0°C и 40°C
- Никогаш не поставувајте елементи за сечење метал на оваа машина
- Не користете го овој алат за отстранување мокар коров

ЛИЧНА ЗАШТИТА

- Овој алат е наменет за употреба за лица (вклучувајќи и деца) со намалени физички, сензорски или ментални способности или со помало искуство и знаење, и доколку лицето задолжено за нивна безбедност не им даде соодветна помош и упатство за за тоа како да се користи алатот

- Обезбедете децата да не си играат со алатот
- Никога не дозволувајте деца или други лица коишто не ги знаат упатствата за работа да ја користат машината
- Секогаш носете заштита за очите, долги пантолони и цврсти чевли кога работите со машината
- Никога не работете со машината ако е оштетен штитникот при косење или без поставен штитник
- Никога не работете со машината во непосредна близина на луѓе; престанете да работите со неа ако во близина има други лица (особено деца) или галеничиња
- Никога не работете со алатот ако сте уморни, болни или под влијание на лекови, алкохол или медикаменти

ЕЛЕКТРИЧНА БЕЗБЕДНОСТ

- Секогаш проверувајте напонот да е ист со оној кој е назначен на плочката на алатот (алатите за напон од 230V или 240V исто така може да се поврзат и на напон од 220V)
- Проверувајте го кабелот од време на време и повикајте квалификувано лице да го смени ако е оштетен
- Проверувајте го продолжниот кабел од време на време и сменете го ако е оштетен (**несоодветните продолжни кабли се опасни**)
- Користете само продолжен кабел којшто е наменет за работа на отворено и е опремен со водоотпорен приклучок и штекер во форма на запалка
- Продолжениот кабел кој го користите, мора да биде сосема одмотан и безбеден, со капацитет од 16 A
- Користете уред за преостанат напон (RCD) со максимален напон за активирање од 30 mA кога ја користите косилката
- Не преминувајте преку кабелот (продолжниот) не превиткувајте или не влечете го
- Заштитете го (продолжниот) кабел од топлина, масло и остри рабови
- Држете го кабелот (и продолжниот) подалеку од ротирачката четка
- Секогаш исклучете ја машината и исклучете го приклучокот од штекерот ако кабелот за напојување со ел. енергија или продолжниот кабел се пресечени, оштетени или заплеткани (**не допирајте го кабелот пред да го исклучите приклучокот**)

ЧЕТКИ

- SKIL може да признае гаранција само доколку е користен оригинален прибор
- Ставајте само четки чијашто максимална брзина („RPM“) е поголема од ротацијата во минута што е означена на алатот
- Користете само четки со максимален дијаметар од 100 mm
- Не користете изабени четки
- Дамки од рѓа или други знаци за хемиски или механички промени на материјалот што ги држат нишките на четката може да предизвикаат предвремено расипување на четката
- Чувајте ги четките на соодветно место така што ќе бидат заштитени од следните влијанија:
 - голема атмосферска влага, жештина, вода или други течности што може да ја оштетат четката
 - киселини или киселински испарувања што може да ја оштетат четката

- ниски температури во средината што ќе предизвикаат кондензација на четката кога ќе се остави на место со повисока температура
- деформација на кој било дел на четката

ПРЕД УПОТРЕБА

- Користете ја машината само на дневно светло или со соодветно вештачко осветлување
- Проверувајте ја функционалноста на машината пред секоја употреба и во случај на удар, повикајте квалификувано лице да ја поправи (никогаш не отворајте ја машината сами)
- Извадете ги сите клучеви за мesteње или винтови пред да го вклучите алатот (**оставените клуч или винт на ротирачки дел од алатот може да доведе до лична повреда**)
- Пред употреба, темелно проверете ја областа за сечење и остранете ги сите предмети што машината може да ги отфрли при сечењето (како камења, паднати гранки и сл.)

ВО ТЕКОТ НА УПОТРЕБАТА

- Користете го алатот само во вертикална позиција со четката насочена кон тлото (**никогаш не вклучувајте го алатот во друга позиција**)
- Работете со алатот само со одење (не трчајте)
- Не поминувајте патишта или плочници кога работи машината
- Не дозволувајте нешто да ви го одвлече вниманието и секогаш концентрирајте се на работата
- Секогаш одржувајте ги отворите за вентилација чисти и без отпадоци

ПО УПОТРЕБА

- Четката продолжува да ротира уште извесно време откако машината ќе се исклучи (**не допирајте ја четката додека се врти**)
- Секогаш исклучувајте го приклучокот од штекер
 - зашто косилката ја оставате без надзор
 - пред чистење заглавен материјал
 - пред проверка, чистење или работа на косилката
 - ако удристе во стран предмет
 - секогаш кога косилката ќе вибрира невообичаено
- Исклучете го моторот пред да го спуштите алатот и проверете дали сите подвижни делови се комплетно застанати
- Чувајте ја машината **во затворен простор** на суво и затворено место и подалеку од дофат на деца

ОБЈАСНУВАЊЕ ЗА СИМБОЛИТЕ ЗА АЛАТОТ

- ③ **Предупредување!** Прочитајте го упатството за работа
- ④ Не изложувајте го алатот на дожд
- ⑤ Носете заштитни очила и заштита за ушите
- ⑥ **Обрнете внимание на ризикот од повреда што може да го предизвика отфрлениот остаток од косењето** (присутните лица да стојат на безбедно растојание од местото на работа)
- ⑦ Секогаш чувајте ги рацете и носете подалеку од ротирачките делови
- ⑧ Исклучете ја косилката и извадете го приклучокот од штекер пред чистење/одржување или ако кабелот (продолжниот) е оштетен или заплеткан
- ⑨ Двојна изолација (не е потребна заземна жица)
- ⑩ Не фрлајте го алатот заедно со другиот отпад од домаќинството

УПОТРЕБА

- Упатство за спојување
 - ! секогаш извадете го приклучокот пред да ја ставате/вадите четката**
 - лизнете ја заштитата А преку куќиштето на моторот како што е прикажано на сликата за да кликне на своето место ⁽¹¹⁾
 - поставете го тркалото В на куќиштето на моторот како што е прикажано на сликата за да кликне на своето место ⁽¹²⁾
 - притиснете го копчето за заклучување на осовината С и држете го додека ја разлабавувате стегата D со клуч Е ⁽¹³⁾
 - поставете ја четката F така што центарот ќе се порамни со индикаторот за четката G
 - затегајте ја стегата D со клуч Е додека го притискате копчето за заклучување на осовината С
 - ! заменете ја четката кога ќе се изаби (дополнителна опрема на SKIL, број 2610Z02973)**
- Прилагодување на висината ⁽¹⁴⁾
 - разлабавете ја главата Н вртејќи ја во правецот на стрелките на часовникот
 - ! кога го користите алатот за првпат, свртете ја рачката за К 90° по разлабавување на главата за заклучување Н**
 - издолжете ја цевката J до саканата висина
 - затегнете ја главата Н вртејќи ја обратно од правецот на стрелките на часовникот
 - ! не применувајте сила врз алатот кога ја продолжувате/скратувате цевката на саканата должина**
- Водилка за кабелот ⁽¹⁵⁾
 - закачете ја куката на продолжниот кабел над водилката L како што е прикажано
 - повлечете цврсто за да го обезбедите продолжниот кабел
- Вклучено/Исклучено ⁽¹⁶⁾
 - вклучете го алатот со притискање на прекинувачот за активирање M
 - исклучете ја машината со пуштање на прекинувачот за активирање M
 - ! по исклучување на алатот, четката продолжува да ротира уште неколку секунди**
 - оставете четката да престане да се врти пред повторно вклучување
 - ! не исклучувајте и вклучувајте премногу бргу**
- Пред користење на електричниот алат
 - обезбедете четката F ⁽¹³⁾ да биде правилно поставена и стегата D ⁽¹³⁾ да биде цврсто затегната
 - пробно вклучете го алатот најмалку 30 секунди на најголема брзина во празен од и во сигурна положба
 - веднаш престанете со работата доколку дојде до поголеми вибрирања или други неправилности во работата и прегледајте го алатот, за да ја одредите причината
- Отстранување коров
 - ! проверете дали областа за носење е без камења, отпадоци и други страни предмети**
 - обезбедете долната страна на алатот да биде во рамна позиција

- започнете да работите само кога работи моторот
- започнете со работа близу главниот приклучок и постепено оддалечувајте се работејќи
- чувајте го алатот подалеку од цврсти предмети и растенија
- не користете го алатот на едно место предолго
- не преотоварувајте ја машината
- Држење и насочување на алатот ⁽¹⁷⁾
 - држете го алатот цврсто со една рака
 - водете го алатот со постојана брзина преку површината на којашто треба да се работи
 - заземете стабилна позиција за работа
 - секогаш држете ја машината далеку од телото

СОВЕТИ ЗА ПРИМЕНА

- За најдобри резултати, проверете го алатот на мал дел од површината и проверете дали плочките ќе се оштетат
- Редовно вадење на коровот помага да се избегне истрајниот коров
- Многу други совети можете да најдете на www.skil.com

ОДРЖУВАЊЕ/СЕРВИСИРАЊЕ


- Овој алат не е наменет за професионална употреба
- Алатот и кабелот секогаш да се одржуваат чисти Always keep tool and cord clean
- ! пред чистење извадете го алатот од приклучокот**
 - редовно чистете ги процепите за вентилација N ⁽²⁾ со мека крпа
 - редовно отстранувајте ја нечистотијата од заштитата за сечење A ⁽²⁾ со мека четка
- Чување ⁽¹⁸⁾
 - чувајте ја машината **во затворен простор** на суво и затворено место и подалеку од дофат на деца
 - внимателно поставете ја шината за складирање P на сид со 4 шрафа (**не се доставуваат**) и порамнете хоризонтално
- Доколку алатот и покрај внимателното работење и контрола некогаш откаже, поправната мора да ја изврши нејој овластен SKIL сервис за електрични алати
 - во случај на примедба, испратете го алатот **нерасклопен**, заедно со сметкопотврдата, до вашиот продавач или најблискиот SKIL сервис (адресите се наведени на www.skil.com)

РЕШАВАЊЕ ПРОБЛЕМИ

- Следниот список ги прикажува симптомите за проблемите, можните причини и дејства за поправка (контактирајте со продавачот или сервисерот ако истите не го идентификуваат ниту решаваат проблемот)
 - ! исклучете ја машината и извадете го приклучокот пред да го истранувате проблемот**
- ★ Машината не работи
 - расипан штекер за напојување со ел. енергија -> користете друг штекер
 - продолжниот кабел е оштетен -> заменете го продолжниот кабел
 - неправилно поставена четка -> поставете ја четката повторно

- ★ Машината работи со прекини
 - оштетување на внатрешното поврзување -> контактирајте со продавачот/ сервисерот
 - оштетување на прекинувачот за вклучување/ исклучување -> контактирајте со продавачот/ сервисерот
- ★ Коровот не е целосно отстранет
 - четката е оштетена/изабена -> заменете ја четката

ЗАШТИТА НА ЖИВОТНАТА СРЕДИНА

- Не се ослободувајте од електрични алати, уреди или амбалажа преку нивно фрлање во домашното губре (само за земјите на ЕУ)
 - според Европската Директива 2012/19/ЕС за ослободување од електрична и електронска опрема и нејзина имплементација во согласност со националните закони, електричните алати кои го достигнале крајот на својот животен век мора да бидат собрани посебно и да бидат вратени во соодветен објект за рециклирање
 - симболот  ќе ве потсетува на ова кога ќе дојде време алатот да го фрлите

ДЕКЛАРАЦИЈА ЗА УСОГЛАСЕНОСТ CE

- Со целосна одговорност изјавуваме дека производот опишан кај "Технички податоци" е усогласен со следните стандарди или документи за стандардизација: EN 60335, EN 61000, EN 55014 во согласност со одредбите во директивите 2006/95/EG, 2004/108/EG, 2006/42/EG, 2000/14/EG, 2011/65/EU
- **Техничко досије во:** SKIL Europe BV (PT-SEU/ ENG1), 4825 BD Breda, NL

Marijn van der Hoofden
Operations & Engineering

Olaf Dijkgraaf
Approval Manager

SKIL Europe BV, 4825 BD Breda, NL

19.12.2013

CE11

БУЧАВА/ВИБРАЦИИ

- Мерено во согласност со EN 60335 нивото на звучен притисок е 68 dB(A) а нивото на звучна моќност 88 dB(A) (стандардно отстапување: 3 dB), и вибрација 3,2 m/c² (hand-arm метода; несигурност K = 1.5 m/c²)
- Измерено во согласност со 2000/14/EG (EN/ISO 3744), гарантираното ниво на бука LWA е пониско од 91 dB(A) (постапка за проценка на усогласеноста согласно Додаток VI)
Овластено лице: KEMA, Arnhem, NL
Број за идентификација на овластеното лице: 0344
- Нивото на емитурање на вибрации кое е наведено на задниот дел на ова упатство е измерено во согласност со стандардизираниот тест даден во EN 60335; може да се користи за да се спореди еден алат со друг, и

- како првична оценка за изложеноста на вибрации кога се користи алатот за споменатите примени
- користењето на алатот за разни примени, или со различни или неправилно чувани делови, може да доведе до значајно **зголемување** на нивото на изложеност
- кога алатот е исклучен или кога алатот е вклучен но не врши некаква работа, може да дојде до значително **намалување** на нивото а изложеност
- ! **заштитете се од ефектите на вибрациите преку одржување на алатот и неговите делови, одржување на топлината во вашите раце, и организирање на вашата работа**

AL

Furçë për barërät

0700

HYRJE

- Kjo pajisje është projektuar për heqjen e barërave nga taracat dhe mes pllakave
- Kjo vegël nuk është e projektuar për përdorim profesional
- Kontrolloni nëse paketimi përfshin të gjitha pjesët siç janë të ilustruara në skicë ②
- Kur pjesët mungojnë ose janë të dëmtuara, ju lutemi kontaktoni me shitësin
- **Lexoni me kujdes këtë manual udhëzimesh para përdorimit dhe ruajeni për referencë në të ardhmen** ③
- **Jini të vëmendshëm ndaj udhëzimeve të sigurisë dhe paralajmërimeve; mosrespektimi mund të shkaktojë dëmtime të rënda**

TË DHËNAT TEKNIKE ①

ELEMENTET E PAJISJES ②

- A Mbrojtësja e prerjes
- B Rrota
- C Butoni i bllokimit të boshtit
- D Dadoja tub
- E Çelësi
- F Furça
- G Treguesi i furçës
- H Këmisha bllokuese
- J Tubi teleskopik
- K Doreza
- L Bllokuesi i kordonit
- M Çelësi i aktivizimit
- N Të çarat e ajrosjes
- P Shina e magazinimit (vidat nuk përfshihen)

SIGURIA

UDHËZIMET SPECIFIKE TË SIGURISË PËR FURÇAT PËR BARËRAT

TË PËRGJITHSHME

- Familjarizohuni me komandat dhe përdorimin e saktë të veglës
- Përdoruesi është përgjegjës për aksidentet ose rreziqet ndaj personave të tjera ose pronës së tyre

- Përdoren veçlën vetëm kur temperatura e ambientit është 0°C deri në 40°C
- Mos montoni kurrë elemente për prerjen e metaleve në këtë vegël

- Mos e përdorni pajisjen për heqjen e barërave të lagur

SIGURIA PERSONALE

- Kjo pajisje nuk është projektuar për t'u përdorur nga persona (përfshirë fëmijët) me kapacitete të zvogëluara fizike, ndijore ose mendore, ose me mungesë të përvojës dhe njohurive, nëse nuk janë udhëzuar ose mbikëqyrur në lidhje me përdorimin e pajisjes nga një person përgjegjës për sigurinë e tyre.
- Sigurohuni që fëmijët të mos luajnë me pajisjen
- Mos lejoni kurrë fëmijët ose personat që nuk janë të familjarizuar me udhëzimet e përdorimit që të përdorin këtë vegël
- Mbani gjithmonë mbrojtëse për sytë, pantallona të gjata dhe këpucë të forta kur përdorni veçlën
- Mos e përdorni kurrë veçlën me një mbrojtëse të dëmtuar të prerjes ose pa mbrojtësen e montuar
- Mos e përdorni kurrë veçlën në afërsi të personave të tjerë; ndaloni përdorimin e veçlës kur keni pranë persona të tjerë (veçanërisht fëmijë) ose kafshë shtëpiake
- Mos e përdorni kurrë pajisjen kur jeni të lodhur, të sëmurë ose nën ndikimin e ilaçeve, alkoolit apo mjekimeve të tjera

SIGURIA ELEKTRIKE

- Kontrolli gjithmonë që voltazhi i energjisë të jetë i njëjtë si voltazhi që tregohet në etiketën e veçlës (veçlata me klasifikimin 230 V ose 240 V mund të lidhen po ashtu me një burim 220 V)
- Kontrolloni periodikisht kordonin dhe zëvendësojeni me ndihmën e një personi të kualifikuar, nëse dëmtohet
- Kontrollojeni kordonin zgjatues periodikisht dhe zëvendësojeni, nëse dëmtohet (**kordonët zgjatues të papërshtatshëm mund të jenë të rrezikshëm**)
- Përdorni vetëm një kordon zgjatues të krijuar për përdorim në ambiente të jashtme me spinë kundër ujit dhe prizë bashkuese
- Përdorni kordonë të pahapur dhe të sigurt për zgjatime, me një kapacitet 16 amper
- Kur përdorni veçlën, përdorni një pajisje ndërprerëse të diferencuar (RCD) me korrent aktivizues maksimumi 30 mA
- Mos e shkelni, shtypni apo tërhiqni kordonin (zgjatues)
- Mbrojeni kordonin (zgjatues) nga nxehtësia, vaji dhe anët e mprehta
- Mbajeni kordonin (zgjatues) larg nga fuqja rrotulluese
- Fikeni gjithmonë veçlën dhe hiqeni spinën nga burimi i energjisë nëse kordoni elektrik ose kordoni zgjatues është prerë, dëmtuar ose ngatërruar (**mos e prekni kordonin para se të hiqni spinën**)

FURÇAT

- SKIL mund të garantojë funksionimin pa probleme të veçlës vetëm kur përdoren aksesoret origjinale
- Montoni vetëm fuqja, shpejtësia maksimale ("RPM") e të cilave është më e lartë se rrotullimi për minutë i shëuar në pajisje
- Përdorni vetëm fuqja me diametër maksimal 100 mm
- Mos përdorni fuqja të konsumuara
- Njollat e ndryshkut ose shenjat e tjera të ndryshimeve kimike ose mekanike të materialit që mban fijet e fuqçës mund të shkaktojnë mosfunksionimin para kohe të fuqçës

- Ruajini fuqcat në vende të përshtatshme në mënyrë të tillë që të jenë të mbrojtura nga ndikimet më poshtë:
 - lagështia e lartë atmosferike, nxehtësia, uji ose lëngjet e tjera që mund të dëmtojnë fuqçën
 - acidet ose avujt e acideve, që mund të dëmtojnë fuqçën
 - temperaturat e ulëta të ambientit që shkaktojnë kondensim në fuqçë kur ruhen në një zonë me temperatura më të lartë të ambientit
 - deformimi i çdo pjese të fuqçës

PARA PËRDORIMIT

- Përdoren veçlën vetëm në dritë gjatë ditës ose me dritë të përshtatshme artificiale
- Kontrolloni funksionimin e pajisjes para çdo përdorimi dhe pas çdo goditje; në rast defekti, riparoheni nga një person i kualifikuar (mos e hapni kurrë vetë pajisjen)
- Hiqni çdo çelës përshtatës para se ta ndizni pajisjen (**një çelës i mbetur i lidhur me një pjesë rrotulluese të pajisjes mund të shkaktojë dëmtime personale**)
- Para përdorimit kontrolloni plotësisht zonën e prerjes dhe hiqni çdo objekt që mund të godasë vegla gjatë prerjes (si gurë, copa druri, etj.)

GJATË PËRDORIMIT

- Përdorni pajisjen vetëm në pozicionin vertikal, me fuqçën e vendosur në tokë (**mos e ndizni kurrë pajisjen në një pozicion tjetër**)
- Përdorni pajisjen me shpejtësinë e ecjes (mos vraponi)
- Mos kapërcëni rrugët ose rugicat me zhavorr kur vegla është ende në punë
- Mos u hutoni dhe përqendrohuni gjithmonë në atë që po bëni
- Sigurohuni gjithmonë që të çarët e ajrimit të jenë të pastra nga copërat e mbetura

PAS PËRDORIMIT

- Fuqja vazhdon të rrotullohet për pak kohë pas fikjes së pajisjes (**mos e prekni fuqçën në rrotullim**)
- Hiqeni gjithmonë spinën nga burimi i energjisë
 - sa herë që e lini veçlën të pamonitoruar
 - para pastrimit të materialeve të bllokuara
 - para kontrollit, pastrimit ose punimeve në vegël
 - pas goditjes së një objekti të huaj
 - sa herë që vegla fillon të dridhet në mënyrë jo normale
- Para se ta ulni pajisjen, fikeni motorin dhe sigurohuni që të gjitha pjesët lëvizëse të kenë ndaluar plotësisht
- Magazinoheni pajisjen në ambiente të brendshme në një vend të thatë dhe të mbyllur, larg nga fëmijët

SHPJEGIMI I SIMBOLEVE NË VEGËL

- ③ **Paralajmërimi!** Lexoni manualin e udhëzimeve
- ④ Mos e ekspozoni veçlën në shi
- ⑤ Mbani syze mbrojtëse dhe pajisje mbrojtëse për dëgjimin
- ⑥ **Jini të vëmendshëm ndaj rrezikut për dëmtime nga copat që fluturojnë përreth** (mbajini personat e tjerë në një distancë të sigurt nga zona e punës)
- ⑦ Mbajini gjithmonë duart dhe këmbët larg nga pjesët rrotulluese
- ⑧ Fikeni dhe hiqeni spinën para pastrimit/mirëmbajtjes ose nëse kordoni (zgjatues) është i dëmtuar ose i ngatërruar
- ⑨ Izolim i dyfishtë (nuk kërkohet tokëzim)
- ⑩ Mos e hidhni veçlën bashkë me materialet e mbetjeve familjare

PËRDORIMI

- Udhëzimet për montimin
! hiqeni gjithmonë spinën elektrike para montimit/ heqjes së furçës
 - rrëshqiteni mbrojtësen A mbi mbajtësen e motorit si në ilustrim deri sa të zërë vend ⁽¹⁾
 - montoni diskun B në mbajtësen e motorit si në ilustrim deri sa të zërë vend ⁽²⁾
 - shtypni butonin e bllokimit të boshtit rotullues C dhe mbajeni kur të lironi dadon tub D me çelës E ⁽³⁾
 - montoni furçën F me qendrën e saj në linjë me treguesin e furçës G
 - shtrëngoni dadon tub D me çelës E ndërsa shtyni butonin e bllokimit të boshtit C
- ! zëvendësojeni furçën kur të konsumohet (numri i aksesorit nga SKIL 2610Z02973)**
- Rregullimi i lartësisë ⁽⁴⁾
 - lironi këmishën bllokuese H duke e rrotulluar në drejtimin orar
 - ! kur ta përdorni pajisjen për herë të parë, rrotulloni dorezën K 90° pasi të lironi manshetën bllokuese H**
 - zgjatni tubin J në lartësinë e dëshiruar
 - shtrëngoni këmishën bllokuese H duke e rrotulluar në drejtimin anti-orar
 - ! mos ushtroni forcë mbi pajisje kur të zgjasni/ tërhiqni tubin në lartësinë e dëshiruar**
- Bllokuesi i kordonit ⁽⁵⁾
 - kaloni lakun e kordonit zgjatues mbi bllokues L si në ilustrim
 - tërhiqeni fort për të siguruar kordonin zgjatues
- Ndezje/Fikje ⁽⁶⁾
 - ndizeni veglën duke shtypur çelësin e aktivizimit M
 - fikeni veglën duke lëshuar çelësin e aktivizimit M
 - ! pas fikjes së pajisjes, furça vazhdon të rrotullohet për disa sekonda**
 - lëreni furçën të ndalojë së rrotulluari para se ta ndizni përsëri
 - ! mos e ndizni dhe fikni shumë shpejt**
- Para përdorimit të veglës
 - sigurohuni që furça F ⁽³⁾ të jetë e montuar si duhet dhe që dadoja tub D ⁽³⁾ të jetë e shtrënguar mirë
 - ndizeni veglën për provë për të paktën 30 sekonda me shpejtësinë më të lartë pa ngarkesë në një pozicion të sigurt
 - ndaloheni menjëherë në rast të dridhjeve të shumta ose defekteve të tjera dhe kontrolloni veglën për të përcaktuar shkakun
- Heqja e barërave
! sigurohuni që zona e prerjes nuk ka gurë, copëra të hedhura dhe objekte të tjera të huaja
 - sigurohuni që ana e poshtme e pajisjes të mbahet në një pozicion të rrafshët
 - filloni të punoni vetëm kur motori është në punë
 - filloni të punoni afër prizës së rrejtët elektrik dhe largojini gjatë punës
 - mbajeni pajisjen larg nga objektet dhe bimët e forta
 - mos e përdorni pajisjen në një vend për një kohë të gjatë
 - mos e mbingarkoni veglën

- Mbajta dhe drejtimi i veglës ⁽⁷⁾
 - mbajeni pajisjen fort me një dorë
 - lëvizeni pajisjen me shpejtësi konstante mbi sipërfaqen ku po punoni
 - mbani një pozicion të qëndrueshëm të punës
 - mbajeni veglën gjithmonë larg nga trupi

KËSHILLË PËR PËRDORIMIN

- Për rezultate më të mira, provojeni pajisjen në një pjesë të vogël të sipërfaqes dhe kontrolloni që pllakat të mos dëmtohen
- Heqja rregullisht e barërave shmang punën e përsëritur për heqjen e tyre
- Për më shumë këshilla, vizitoni www.skil.com


MIRËMBAJTJA / SHËRBIMI

- Kjo vegël nuk është e projektuar për përdorim profesional
- Mbajeni gjithmonë të pastër pajisjen dhe kordonin
! shkëputni spinën para pastrimit
 - pastroni rregullisht vrimat e ajrimit N ⁽²⁾ me një copë të butë
 - hiqni rregullisht papastërtitë nga mbrojtësja e prerjes A ⁽²⁾ me një copë të butë
- Magazinimi ⁽⁸⁾
 - magazinoheni pajisjen **në ambiente të brendshme** në një vend të thatë dhe të mbyllur, larg nga fëmijët
 - montoni mirë në mur shinën e magazinimit P me 4 vida (**nuk përfshihet**) dhe nivelejeni horizontalisht
- Nëse pajisja ka defekt pavarësisht kujdesit në prodhim dhe procedurat e provave, riparimi duhet të kryhet nga një qendër e shërbimit pas shitjes për veglat e punës të SKIL
 - dërgoni veglën **të çmontuar** së bashku me vërtetimin e blerjes të shitësi ose të qendra më e afërt e shërbimit e SKIL (adresat si dhe diagrami i shërbimit e veglës janë të paraqitura në www.skil.com)

ZGJIDHJA E PROBLEMEVE

- Lista e mëposhtme tregon simptomat e problemeve, shkaqet e mundshme dhe veprimet korrigjuese (nëse këto nuk e identifikojnë dhe e zgjidhin problemin, kontaktoni me shitësin tuaj ose pikën përkatëse të shërbimit)
! fikni veglën dhe hiqeni spinën para se të shqyrtoni problemin
- ★ Vegla nuk funksionon
 - priza e furnizimit me energji me defekt -> përdorni një prizë tjetër
 - kordoni zgjatues i dëmtuar -> ndërtoni kordonin zgjatues
 - furça e montuar gabim -> montoni përsëri furçën
- ★ Vegla punon me ndërprerje
 - lidhjet e brendshme me defekt -> kontaktoni me shitësin/pikën e shërbimit
 - çelësi i ndezjes/fikjes me defekt -> kontaktoni me shitësin/pikën e shërbimit
- ★ Barërat nuk janë hequr plotësisht
 - furça e dëmtuar/e konsumuar -> zëvendësoni furçën

MJEDISI

- **Mos i hidhni veglat elektrike, aksesorët dhe paketimin së bashku me materialet e mbeturinave familjare** (vetëm për vendet e BE-së)
 - në respektim të Direktivës evropiane 2012/19/EC për pajisjet elektrike dhe elektronike si mbetje dhe zbatimin e saj në përputhje me ligjet kombëtare, pajisjet elektrike që kanë arritur në fund të jetëgjatësisë së tyre duhet të mblidhen të ndara dhe të kthehen në një objekt riciklimi në përputhje me mjedisin.
 - simboli  do t'ju kujtojë për këtë gjë kur të jetë nevoja për t'i hedhur

DEKLARATA E KONFORMITETIT CE

- Në deklarojmë me përgjegjësinë tonë të vetme se ky produkt i përshkruar në "Të dhëat teknike" është në përputhje me standardet ose dokumentet e standardizimit si më poshtë: EN 60335, EN 61000, EN 55014 në përputhje me dispozitat e direktivave 2006/95/EC, 2004/108/EC, 2006/42/EC, 2000/14/EC, 2011/65/EU
- **Dosja teknike në:** SKIL Europe BV (PT-SEU/ENG1), 4825 BD Breda, Holandë

Marijn van der Hoofden
Operations & Engineering

Olaf Dijkgraaf
Approval Manager



SKIL Europe BV, 4825 BD Breda, NL

19.12.2013

CE11

ZHURMA/VIBRIMI

- E matur në përputhje me EN 60335, niveli i trysnisë së tingullit i kësaj pajisje është 68 dB(A) dhe niveli i fuqisë së tingullit 88 dB(A) (shmangia standarde: 3 dB) dhe vibrimi $3,2 \text{ m/s}^2$ (metoda e krahut-dorës; pasiguria $K = 1,5 \text{ m/s}^2$)
 - Matur në përputhje me 2000/14/EC (EN/ISO 3744) niveli i garantuar i fuqisë së zërit LWA është më i ulët se 91 dB(A) (procedura e vlerësimit të konformitetit në përputhje me Shtojcën VI)
Organizmi i njoftuar : KEMA, Arnhem, NL
Numri i identifikimit të organizmit të njoftuar : 0344
 - Niveli i emetimit të vibrimit është matur në përputhje me një provë të standardizuar të dhënë në EN 60335; ajo mund të përdoret për të krahasuar një vegël me një tjetër dhe si një vlerësim paraprak i ekspozimit ndaj vibrimit kur përdorni pajisjen për proceset e përmendura
 - përdorimi i pajisjes për procese të ndryshme, ose me aksesorë të ndryshëm dhe të mirëmbajtur keq, mund të rritë ndjeshëm nivelin e ekspozimit
 - kohët kur pajisja është e fikur dhe kur është e ndezur por jo në punë, mund të zvogëlojnë ndjeshëm nivelin e ekspozimit
- ! mbron veten nga efektet e vibrimit duke mirëmbajtur pajisjen dhe aksesorët e saj, duke i mbajtur duart e ngrohta dhe duke organizuar mënyrën tuaj të punës**

- ابزار را در داخل ساختمان و مکانی خشک و محفوظ. دور از دسترس کودکان قرار دهید
- ریل نگهداری P را با ۴ عدد پیچ (ارائه نشده است) و تراز بطور افقی روی دیوار محکم نصب کنید
- * اگر ابزار علی‌رغم تمام دقت و مراقبتی که در فرایندهای تولید و تست بکار برده شده از کار افتاد. تعمیرات باید فقط در مراکز خدمات پس از فروش ابزارهای برقی SKIL انجام شود
- ابزار را بصورت باز نشده همراه با رسید خرید به فروشنده یا نزدیک ترین مرکز خدمات مشتریان SKIL بفرستید (آدرسها به همراه نمودارنشسته های سرویس ابزار در www.skil.com موجود است)

عیب‌یابی

- * علائم و نشانه های اشکالات، دلایل احتمالی و روش های حل مشکلات در لیست زیر ادامه آمده است (اگر بعد از مراجعه به بخش زیر نتوانستید مشکل خود را یافته یا حل کنید. با فروشنده یا مرکز خدمات تماس بگیرید)
- ! پیش از شروع بررسی مشکل. ابزار را خاموش کرده و دوشاخه را بکشید
- * ابزار کار نمی کند
 - پریز برق اشکال دارد -> از یک پریز دیگر استفاده کنید
 - سیم رابط آسیب دیده است -> سیم رابط را عوض کنید
 - تیغه بررسی درست سوار نشده است -> تیغه بررسی را دوباره سوار کنید
- * ابزار بطور متناوب کار می کند
 - سیم کششی داخلی اشکال دارد -> با فروشنده/مرکز خدمات تماس بگیرید
 - سوئیچ روشن/خاموش اشکال دارد -> با فروشنده/مرکز خدمات تماس بگیرید
- * علف ها کاملاً بریده نشده اند
 - تیغه بررسی آسیب دیده/فرسوده شده است -> تیغه بررسی را عوض کنید

محیط زیست

- * ابزارهای برقی، لوازم و متعلقات و بسته بندی آنها را نباید همراه با زباله های عادی خانگی دور انداخت (فقط مخصوص کشورهای عضو اتحادیه اروپا)
 - با توجه به مصوبه اروپایی ۲۰۱۲/۱۹/EC اروپا درباره لوازم برقی و الکترونیکی مستعمل و اجرای این مصوبه مطابق با قوانین کشوری ابزارهای برقی که به پایان عمر مفید خود رسیده اند باید جداگانه جمع آوری شده و به یک مرکز بازیافت مناسب و سازگار با محیط زیست انتقال یابند
 - تداوم علامت (♻️) یادآور این مسئله در هنگام دور انداختن است

اعلامیه مبنی بر رعایت استاندارد CE

- * ما بر اساس مسئولیت انحصاری خود اعلام می نمایم که محصول شرح داده شده در قسمت «اطلاعات فنی» با استانداردها یا مستندات استاندارد شده زیر سازگاری و تطابق دارد: EN ۶۰۳۳۵, EN ۶۱۰۰۰, EN ۱۱۰۱۴, EN ۵۵۰۱۴, مطابق با مفاد مصوبات ۲۰۰۱/۹۵/EC, ۲۰۰۴/۱۰۰۸/EC, ۲۰۰۰/۱۴/EC, ۲۰۰۰/۱۴/EC, ۲۰۱۱/۱۵/EU
- * پرونده فنی در: ۴۸۲۵ BD Breda, NL

Marijn van der Hoofden Operations & Engineering Olaf Dijkgraaf Approval Manager




SKIL Europe BV, 4825 BD Breda, NL

CE11

19.12.2013

صدای ارتعاشات

- * اندازه گیری ها بر اساس استاندارد EN ۶۰۳۳۵ انجام و مشخص شد که میزان فشار صوتی این ابزار ۱۸ دسی بل و میزان توان صوتی آن ۸۸ دسی بل (با انحراف استاندارد: ۳ دسی بل)، و میزان ارتعاشات ۳,۲ متر/مجدور ثانیه می باشد (شویه دست-بازو، عدم قطعیت K = ۱,۵ متر/مجدور ثانیه)
- * اندازه گیری شده مطابق با K ۴ (EN/ISO ۳۷۴۴) / ۲۰۰۰/۱۴/EC میزان توان صوتی LWA تضمینی این ابزار کمتر از ۹۱ دسی بل است (روش ارزیابی مطابقت و سازگاری بر اساس متمم VI)
- سازمان ابلاغ شده: KEMA, Arnhem
- شماره شناسایی سازمان ابلاغ شده: ۰۳۴۴
- * میزان انتشار ارتعاشات بر اساس تست استاندارد شده ای که در EN ۶۰۳۳۵

- معرفی شده است اندازه گیری گردید: از این ارقام می توان برای مقایسه یک ابزار با دیگری و بعنوان ارزیابی اولیه در معرض قرارگیری ارتعاشات هنگام کار با ابزار در کاربری های فوق استفاده کرد
- استفاده کردن از ابزار برای کاربردهای متفاوت. یا با لوازم و متعلقات متفاوت/تفرقه یا لوازم و متعلقاتی که بد نگهداری شده اند. می تواند میزان در معرض قرارگیری را بطور قابل ملاحظه ای افزایش دهد
- موافقتی که ابزار خاموش است یا روشن است ولی کاری با آن انجام نمی شود. میزان در معرض قرارگیری بطور قابل توجهی کاهش می یابد
- ! با نگهداری مناسب از ابزار و لوازم و متعلقات آن. گرم نگهداشتن دست های خود، و سازمان دهی طرح های کاری می توانید خود را در برابر اثرات ارتعاش محافظت کنید

- برس ها را مکانی مناسب نگهداری کنید که در تأثیرات زیر محفوظ باشد:
- دما. رطوبت بسپار زیاد هوا. آب یا سایر مایعاتی که ممکن است باعث خراب شدن برس شوند
- اسپدها یا بخارات اسپیدی که ممکن است باعث خراب شدن برس شوند
- دمای پایین محیط که ممکن است در صورت قرار دادن برس در یک محیط با دمای بالاتر باعث ميعان روی برس شود
- از شکل خارج شدن بخشی از برس

پیش از استفاده

- فقط در طول روز یا در جاهایی که از نور مناسب چراغ برخوردار است از این ابزار استفاده کنید
- عملکرد ابزار را پیش از هر بار استفاده و بعد از هر تصادم کنترل کنید؛ در صورت مشاهده اشکال دستگاه را فوراً برای تعمیر نزد یک تعمیرکار ماهر ببرید (هرگز خودتان ابزار را باز نکنید)
- قبل از روشن کردن ابزار الکتریکی. باید همه ابزارهای تنظیم کننده و آچارها را از روی دستگاه بردارید) ابزارو آچارهایی که روی بخش های چرخنده دستگاه قرار دارند. می توانند باعث ایجاد جراثیم شوند)
- پیش از استفاده. محلی را که می خواهید در آن کار کنید با دقت بررسی کرده و هر جسمی را که ابزار ممکن است در حین کار به اطراف پرتاب کند (مانند سنگ. تکه های چوب و غیره) از آنجا بردارید

در حین استفاده

- از ابزار فقط در موقعیت عمودی. در حالی که تیغه بررسی به سمت زمین است استفاده کنید (هرگز ابزار را در دو هیچ وضعیت دیگری روشن نکنید)
- موقعی که از ابزار استفاده می کنید باید فقط با سرعت عادی راه بروید (هرگز ندوید)
- اگر ابزار هنوز حرکت دارد از خیابان یا مسیرهای فرش شده یا شن و سنگهای ریز عبور نکنید
- اجازه ندهید حواس شما پرت شود و همیشه به کاری که دارید انجام می دهید دقت کنید
- دقت کنید که منافذ تهویه ابزار هیچگاه با آشغال مسدود نشوند

بعد از استفاده

- تیغه بررسی مدت کوتاهی بعد از خاموش شدن ابزار به گردش خود ادامه می دهد (به تیغه بررسی در حال گردش دست نزنید)
- همیشه دوشاخه را از پریز بکشید
- هنگامی که ابزار را بدون سرپرستی رها می کنید
- پیش از برطرف کردن گیر و گرفتگی مواد و اشیا
- پیش از بررسی. تمیز یا کار کردن روی ابزار
- بعد از تصادم با جسم خارجی
- هرگاه ابزار شروع به لرزش غیرعادی کرد
- پیش از کنار گذاشتن ابزار حتماً موتور آنرا خاموش کرده و مطمئن شوید که تمام بخشهای متحرک آن به توقف کامل رسیده باشند
- ابزار را در داخل ساختمان و مکانی خشک و محفوظ. دور از دسترس کودکان نگهدارید

شرح علائم و نمادهای روی ابزار

- Ⓟ هشدار! دفترچه راهنما را مطالعه کنید
- Ⓛ ابزار نباید در معرض باران قرار داده شود
- Ⓢ از عبثگ محافظ و محافظ گوش استفاده کنید
- Ⓣ به خطر جراثیم ناشی از آشغالهایی که در هوا بلند می شود توجه داشته باشید (افراد دیگر باید در فاصله مطمئنی از محیط شما قرار داشته باشند)
- Ⓥ همیشه دست و پاهای خود را از بخشهای دوار دستگاه دور نگه دارید
- Ⓐ پیش از تمیز کردن/انجام کارهای نگهداری و یا در صورتی که سیم (رابط) آسیب دیده جای گیر کرده است باید ابزار را خاموش کرده و دوشاخه آنرا از پریز بکشید
- Ⓐ عایق دوگانه (نیازی به سیم اتصال به زمین - ارت نیست)
- Ⓛ ابزار را همراه زباله های خانگی دور نیندازید

استفاده

- دستورالعملهای سوار کردن
- ! همیشه پیش از قرار دادن/برداشتن تیغه بررسی دوشاخه را بکشید
- حفاظ A را مطابق شکل روی محافظه موتور بکشید تا با صدای کلیک در جای خود قرار گیرد Ⓢ
- چرخ B را مطابق شکل روی محافظه موتور سوار کنید تا با صدای کلیک در جای خود قرار گیرد Ⓢ

- ضامن قفل کننده شفت C را فشار داده و ضمن شل کردن مهره کولت D با آچار E Ⓢ آنرا نگهدارید
- تیغه بررسی F را در حالی سوار کنید که مرکز آن با نشانگر تیغه بررسی میزان شده باشد G
- مهره کولت D را با آچار E سفت کرده و همزمان ضامن شفت C را فشار دهید
- ! تیغه بررسی را در صورت فرسوده شدن عوض کنید (شماره قطعه اسکیل ۲۱۱۰-Z۰۲۹۷۳)

تنظیم ارتفاع Ⓢ

- تنظیم ارتفاع H را در جهت حرکت عقربه های ساعت بچرخانید تا شل شود
- ! اگر برای اولین بار از ابزار استفاده می کنید. دسته K را بعد از شل کردن ماسوره قفلی H به اندازه ۹۰ درجه بچرخانید
- لوله L را باز کنید تا به ارتفاع مناسب برسد
- ماسوره قفلی H را در خلاف جهت حرکت عقربه های ساعت بچرخانید تا محکم شود
- ! هنگام امتداد دادن/جمع کردن لوله به طول دخواه. به ابزار فشار وارد نکنید
- مهار سیم Ⓢ
- حلقه سیم رابط را مطابق شکل در مهار سیم L قرار دهید
- سیم رابط را برای ایمنی محکم بکشید

روشن/خاموش Ⓢ

- یا فشار دادن استارت M ابزار را روشن کنید
- یا رها کردن استارت M ابزار را خاموش کنید
- ! بعد از خاموش کردن ابزار. تیغه بررسی برای چند ثانیه به گردش ادامه می دهد

- پیش از اینکه دوباره ابزار را روشن کنید. اجازه دهید حرکت تیغه بررسی کاملاً متوقف شود
- ! ابزار را پشت سرهم روشن و خاموش نکنید

پیش از استفاده از ابزار

- اطمینان حاصل کنید که تیغه بررسی F Ⓢ به طور صحیح سوار شده و مهره کولت D Ⓢ کاملاً سفت شده باشد
- از ابزار را در یک وضعیت مطمئن برای حداقل ۳۰ ثانیه در بالاترین دور بدون بار روشن کرده و آزمایش کنید
- در صورت احساس ارتعاشات قابل توجه یا اشکالات دیگر فوراً آنرا خاموش کرده و ابزار را برای یافتن دلیل بررسی کنید

بریدن علف ها

- ! دقت کنید که محیط کار عاری از سنگ. آشغال و هرگونه جسم خارجی باشد
- زیر ابزار باید در موقعیتی کاملاً صاف و تراز نگه داشته شود
- کار را فقط زمانی که موتور در حال کار است شروع کنید
- کار را از نزدیک پریز برق شروع کرده و با ادامه کار از پریز دور شوید
- ابزار را از اشعای سخت و گیاهان دور نگهدارید
- از ابزار برای مدت طولانی در یک محل استفاده نکنید
- زیادی به ابزار فشار وارد نکنید

نگهداشتن و هدایت ابزار Ⓢ

- ابزار را محکم با یک دست بگیرید
- ابزار را با سرعتی ثابت و یکنواخت روی سطح کاری هدایت کنید
- وضعیت کاری استواری داشته باشید
- همیشه ابزار را با فاصله مطمئنی دور از بدن خود بگیرید

توصیه های کاربردی

- برای کسب بهترین نتیجه بکن. ابتدا ابزار را روی قسمت کوچکی از سطح امتحان کنید و کنترل کنید که به کاشی ها آسیبی وارد نشود
- با هرس کردن منظم علف ها می توان از سمج شدن آنها جلوگیری کرد
- برای نکات بیشتر به www.skil.com مراجعه کنید

نگهداری / سرویس- خدمات

- این ابزار برای مصارف حرفه ای مناسب نیست
- همیشه ابزار و سیم برق را تمیز نگهدارید
- ! پیش از تمیز کردن سیم برق را از برق بکشید
- شباهارهای تهویه N Ⓢ را بطور منظم با یک دستمال نرم تمیز کنید
- کثافات را بطور منظم با یک برس نرم از حفاظ برش A Ⓢ پاک کنید
- نگهداری Ⓢ

ايمنى

راهنامهائ ايمنى ويژه برائ علف تراش ها

عمومى

- با نحوه كار كنترلها و كاركرد اصولى ابزار آشنا شويده
- مسئوليت هرگونه حادثه يا خطرات بوجود آمده برائ ديكر افراد يا مال و اموال آنها با استفاده كننده ابزار است
- فقط در شرايطى از اين ابزار استفاده كنيد كه دماي محيطى بين ٠ تا ٤٠ درجه سانتىگراد باشد
- هرگز متعلقان را برائ بریدن فلزات با اين ابزار اضافه نكنيد
- از اين ابزار برائ بریدن علف هاى خيس استفاده نكنيد
- رعائت ايمنى اشخاص
- اين ابزار نبايد توسط افرادى (شامل كودكان) كه توانائى هاى فيزيكى حسى يا روانى آنها محدود است. يا فاقد تجربه و دانش لازم هستند بكار برده شود مگر اينكه شخصى كه مسئول ايمنى آنهاست درباره طرز كار با ابزار به آنها توضيح داده باشد و يا بر كار آنها نظارت كند
- همچوقت اجازه ندهيد كودكان يا ابزار بازي كنند
- هرگز اجازه ندهيد بچه ها يا كسانى كه با طرز كار ابزار آشنا نيستند از آن استفاده كنند
- هنگام كار با اين ابزار. عينك محافظ. شلوار بلند و كفش با كف و روبه محكم بپوشيد
- اگر حفاظ برش آسيب ديده يا حفاظ برش سوار نشده است با ابزار كار نكنيد
- هرگز موقعى كه افراد ديكر در نزديكى هستند با ابزار كار نكنيد؛ اگر افراد (بخصوص كودكان) و يا حيوانات خانگى در نزديكى هستند كار با ابزار را متوقف كنيد
- هرگز موقعى كه خسته. بيمار يا تحت تاثير مواد. نوشيدنى هاى الكلى يا دارو هستند با اين ابزار كار نكنيد

ايمنى الكترىكى

- هميشه مطمئن شويده كه ولتاژ ورودى دستگاه برابر ولتاژى باشد كه روى پلاك دستگاه نوشته شده است (ابزارهائى كه ولتاژ ورودى آنها ٢٣٠ يا ٢٤٠ ولت مشخص شده است مى توانند با برق ٢٢٠ ولت هم كار كنند)
- سيم ابزار را بطور مرتب بازرسى كرده و در صورت خراب شدن. از يك تعميركار و اجد شرايط بخواهيد آنرا عوض كند
- سيم رابط را بصورت دوره اى بازيدي كرده و درصورت آسيب يديگى تعويض كنيد (سيم رابطها نامناسب مى توانند خطرناك باشند)
- فقط از سيم رابطهاى مناسب برائ فضاى آزاد و مجهز به دوشاخه ضد نفوذ آب و پريز جفت آن استفاده كنيد
- سيم هاى رابط برق بايد كاملاً باز شده و ايمن باشند. از سيم هاى با رده بندى ١٦ آمپر
- هنگامى كه از اين ابزار در محيطهاى مرطوب استفاده مى كنيد. از كليدهائى حفاظت در برابر جريان نشتى (RCD) با جريان راه اندازى (حساسيت) حداكثر ٣٠ ميلي آمپر استفاده نماييد
- سيم (رابط) را لگد نكنيد. آنرا له نكرده يا نكشيد
- سيم (رابط) ابزار را از گرما. روغن و ليه هاى نيز دور نگهداريد
- سيم برق (رابط) را از تيغه برسى در حال چرخش دور نگهداريد
- اگر سيم برق يا سيم رابط بريده. آسيب ديده يا گير كرده است بايد هميشه ابزار را خاموش كرده و دوشاخه را از پريز بكشيد (قبل از كشيدن دوشاخه از پريز نبايد به هيچ وجه به سيم دست بزئيد)

برس ها

- SKIL در صورتى كه از متعلقان اصلى استفاده كنيد عملكرده بدون مشكل ابزار را تضمين مى نمايد
- فقط برس هاى را وصل كنيد كه حداكثر سرعت (RPM) آنها بيشتر از سرعت چرخش در دقيقه علامت گذارى شده روى ابزار است
- فقط از برس هاى استفاده كنيد كه قطرشان حداكثر ١٠٠ ميلي متر است
- از تيغه هاى برسى فرسوده استفاده نكنيد
- دسته هاى رنگ يا ساير نشانه هاى مواد شيميائى يا تغييرات مكانيكى مواد نگهدارنده رفته هاى برس مكن است باعث خراب شدن زودهنگام برس شوند

SKIL Europe BV, 4825 BD Breda, NL

CE11

19.12.2013

الضواء/الاهتزاز

- عند القياس بالوافق مع EN ١٠٢٣٥ يكون مستوي ضغط صوت هذه الادة هو ١٨ ديسيبل (أ) ومستوي طاقة الصوت ٨٨ ديسيبل (أ) (الانحراف المعياري ٣ : ديسيبل). والاهتزاز ٣,٢ م(ات) بطريقة اهتزاز البدي: K غير مؤكد = ١,٥ م(ات)؛
- عند القياس بالوافق مع EN/ISO ١١٤٤/٢٠٠١. يكون مستوي طاقة الصوت الضمون LWA أقل من ٩١ ديسيبل (أ) (إجراء تقييم المطابقة وفقاً للملحق VI)
- الهيئة المُخطرة: KEMA, Arnhem, NL
- رقم تعريف الهيئة المُخطرة: ٠٣٤٤
- تم قياس مستوي الاهتزازات بالوافق مع الاختبار المعياري المحدد في EN ١٠٢٣٥. يمكن استخدامه لمقارنة اداة بأداة أخرى وكتقييم تمهيدى للتعرض للاهتزاز عند استخدام الادة في التطبيقات الموضحة:
- قد يؤدي استخدام الادة في تطبيقات مختلفة أو مع ملحقات مختلفة أو ذات صيانة رديئة إلى زيادة مستوي التعرض بصورة كبيرة؛
- إن الفترة الزمنية التي يتم خلالها إيقاف تشغيل الادة أو عندما تكون قيد التشغيل لكنها لا تؤدي أية مهام. تؤدي إلى تقليل مستوي التعرض بصورة كبيرة؛
- ! قم بحماية نفسك من تأثيرات الاهتزاز من خلال صيانة الادة وملحقاتها. والحفاظ على يدك دائمتين وتنظيم أعطام العمل لديك:

FA

علف تراش

٠٧٠٠

مقدمه

- اين ابزار برائ بریدن علف در تراس ها و خطوط ميان كاشى ها طراحي شده است
- اين ابزار برائ مصارف حرفه اى مناسب نيست
- مطمئن شويده كه تمام اجزا و قطعات نشان داده شده در شكل ① در بسته بندي باشند
- اگر قطعاتى مفقود شده يا آسيب ديده اند. لطفاً با فروشنده خود تماس بگيريد
- لطفاً پيش از كار با دستگاه اين دفترچه راهنما را با دقت مطالعه كرده و آنرا برائ استفاده آتى نگه داريد ②
- لطفاً به دستورالعملهاى ايمنى و هشدارها دقت كنيد: عدم رعائت اين نكات مى تواند به بروز جراحتهاى بسيار جدى منجر شود

اطلاعات فنى ①

اجزائ ابزار ②

- A حفاظ برش
- B چرخ
- C ضامن قفل كنده شفت
- D مهره طوقه اى
- E آچار
- F تيغه برسى
- G نشانگر تيغه برسى
- H ماسوره فقلئى
- J لوله تلسكوبى
- K دسته هاى رنگ
- L مهار سيم

شرح الرموز الموجودة على الأداة

- Ⓢ خُذْهُنَا: اقرأ دليل التعليمات;
- Ⓝ لا تعرض الأداة للماء;
- Ⓛ ارتد نظارات الأمان وواقيات السمع;
- Ⓜ انتبه إلى خطورة التعرض للإصابة بسبب الحفلات الطائرة (حافظ على المرة بعيداً عن منطقة العمل مسافة آمنة);
- Ⓜ ابق الأيدي والأقدام بعيداً عن الأجزاء الدوارة;
- Ⓜ قم بإيقاف التشغيل وفصل القابض قبل إجراء التنظيف/الصيانة أو إذا تعرض السلك (التمديد) للتلوث أو الاحتسار;
- Ⓜ العزل المزوج (لا يلزم سلك أرضي);
- Ⓜ لا تتخلص من الأداة مع النفايات المنزلية;

الاستخدام

- تعليمات النجم
- ! قم دائماً بفصل القابض قبل تركيب/فك الفرشاة;
- قم بتحريك الوافي A الزلقاً على مبيت المحرك كما هو موضح حتى تنقفل في موضعه ⑩
- قم بتركيب العجلة B على مبيت المحرك كما هو موضح حتى تنقفل في موضعها ⑪
- اضغط على زر قفل محول الدوران C مع الاستمرار أثناء قيامك بفك صامولة الزنابق D باستخدام مفتاح ربط E ⑫
- قم بتركيب الفرشاة F بحيث يكون مركزها على استقامة مع مؤشر الفرشاة G.
- احكم ربط صامولة الزنابق باستخدام مفتاح الربط E مع الضغط على زر قفل عمود الدوران C.
- ! استبدل الفرشاة عندما تبلى (ملحق SKIL رقم 2٩٧٣٠ Z٠٢١١)

ضبط الارتفاع ⑬

- فكّ جلبة القفل H عن طريق تدويرها في اتجاه عقارب الساعة;
- عند استخدام الأداة لأول مرة، أدّ المقبض K بزوايا ٩٠ درجة بعد فكّ جلبة القفل H;
- مَدّ الأنيوب L لارتفاع المطلوب;
- احكم ربط جلبة القفل H عن طريق تدويرها في عكس اتجاه عقارب الساعة;
- ! لا تستخدم الأداة عموداً عند إطالة/سحب الأنيوب للارتفاع المطلوب

ماسك السلك ⑭

- قم بتعليق العروة في سلك التمديد أعلى الماسك L كما هو موضح في الشكل;
- اسحب بإحكام لتأمين سلك التمديد;
- التشغيل/إيقاف التشغيل ⑮
- قم بتشغيل الأداة بالضغط على مفتاح الزناد M;
- أوقف تشغيل الأداة عن طريق خريز مفتاح الزناد M;
- ! بعد إيقاف تشغيل الأداة تستمر الفرشاة في الدوران لبعض ثوانٍ;
- اترك الفرشاة تتوقف عن الدوران قبل التشغيل مرة أخرى;
- ! لا تقم بالتشغيل وإيقاف التشغيل سريعاً;

قبل استخدام الأداة:

- تأكد من تركيب الفرشاة F ⑯ بشكل صحيح ومن إحكام تثبيت صامولة الزنابق D ⑰
- قم باختيار تشغيل الأداة لمدة ٣٠ ثانية في الوضع الآمن على أعلى سرعة للأداة بدون حمل;
- توقف فوراً في حالة حدوث اهتزاز ملحوظ أو أي أعطال أخرى. وافحص الأداة لتحديد السبب;
- إزالة الأعشاب
- ! تأكد من أن منطقة القطع خالية من الحجارة والحفلات والأجسام الأخرى الغريبة;
- تأكد من حفظ الجانب السفلي من الأداة في وضع مستوي;
- لا تبدأ العمل إلا عندما يدور المحرك;
- ابدأ في العمل بجوار القسم الرئيسي وحرك مبتعداً عنه أثناء العمل;
- ابق الأداة بعيداً عن الأنسجة والنباتات الصلبة;
- لا تستخدم الأداة في موضع واحد لمدة طويلة للغاية;
- لا تفرط في التحميل على الأداة;
- إمساك الأداة وتوجيهها ⑱
- امسك الأداة بإحكام بيد واحدة;
- قم بتوجيه الأداة بسرعة ثابتة على السطح الذي يتم العمل به;

- حافظ على وضع عمل ثابت;
- امسك دائماً بالأداة جيداً وبعيداً عن جسمك;

توصيات الاستخدام

- للحصول على أفضل نتائج، جرّب تشغيل الأداة على جزء صغير من السطح وتحقق من عدم تعرض البلاط للتلوث;
- إزالة الأعشاب بانتظام تساعد على تجنب وجود أعشاب مستديمة;
- لمزيد من النصائح زر موقعنا www.skil.com

الصيانة / الخدمة

- لم يتم تصميم هذه الأداة للاستخدام الاحترافي;
- احرص دائماً على نظافة الأداة والسلك
- ! افضل القابض قبل التنظيف
- نظّف فتحات التهوية N ⑲ بانتظام باستخدام قطعة قماش ناعمة;
- أزل الأوساخ بانتظام من وافي القطع A ⑲ باستخدام فرشاة ناعمة;
- التنزير ⑳
- خزّن الأداة في مكان مغلق جاف ومحكم الغلق بعيداً عن متناول الأطفال;
- قم بتركيب قضبان التخزين P على الحائط على نحو آمن باستخدام ٤ براغي (غير مرفقة) مع ضبطها أفقيّاً;
- إذا تعذر تشغيل الأداة على الرغم من الحذر الشديد في إجراءات التصنيع والاختبار، فيجب القيام بالإصلاحات بواسطة مركز خدمة ما بعد البيع لأدوات الطاقة التابع لشركة SKIL;
- قم بإرسال الأداة مون تفكيكها بالإضافة إلى إثبات الشراء إلى البائع أو أقرب محطة خدمة SKIL الكساونين بالإضافة إلى مخطط الخدمة متاح على www.skil.com

اكتشاف المشاكل وإصلاحها

- توضح القائمة التالية أعراض المشاكل والأسباب المحتملة والإجراءات التصحيحية (إذا لم يعمل ذلك على التعرف على المشكلة وإصلاحها، اتصل بالبائع أو محطة الخدمة);
- ! قم بإيقاف تشغيل الأداة وافصل القابض قبل التحقق في المشكلة:
- ★ تشغيل الأداة:
- في حالة تعطل مقبض إمداد الطاقة -> استخدم مقبض آخر;
- في حالة تلف سلك التمديد -> استبدل سلك التمديد;
- الفرشاة مركبة على نحو غير صحيح -> أعد تركيب الفرشاة مرة أخرى;
- ★ الأداة تعمل بشكل منقطع
- في حالة تلف السلك الداخلي -> اتصل بالبائع/محطة الخدمة;
- في حالة تلف مفتاح التشغيل/إيقاف التشغيل -> اتصل بالبائع/محطة الخدمة;
- ★ تمت إزالة الأعشاب تماماً:
- الفرشاة تالفة/بالية -> استبدل الفرشاة;

البيئة المحيطة

- لا تتخلص من الأدوات الكهربائية والمحقات ومواد التغليف مع النفايات المنزلية (الدول الأخاد الأوروبي فقط);
- وفقاً للتوجيه الأوروبي 2٠١٢/1٩/EC حول نفايات المعدات الكهربائية والإلكترونية وتطبيقه بالتوافق مع القانون المحلي. يجب جمع الأدوات الكهربائية منتهية الصالحة بشكل منفصل وإرسالها إلى أحد منشآت إعادة التصنيع المتوافقة مع البيئة;
- سيذكرك الرمز ⑳ بهذا عند الحاجة إلى التخلص من أية أداة;

إعلان توافق CE

- نحن نفر على مسئوليتنا الخاصة أن المنتج الموضح في «البيانات الفنية» يتوافق مع المعايير أو المستندات المعيارية التالية ٢٠٣٥/EN: EN ١١٠٠٠ و EN ٥٥٠١ و EN ٢٠٠١/٤٢/EC و ٢٠٠٤/١٠/EC و ٢٠٠٦/١٩٥/EC و ٢٠٠٦/١٠/EC و ٢٠٠١/٤٢/EC و ٢٠٠١/١٥/EC و ٢٠٠١/٤٢/EC

فرشاة الأعشاب

مقدمة

- تم تصميم هذه الآداة لإزالة الأعشاب من الشرفات ومن بين البلاط.
- لم يتم تصميم هذه الآداة للاستخدام الاحترافي:
- تأكد أن المغلف يحتوي على جميع الأجزاء كما هو موضح في الشكل ①
- في حالة تعرض أجزاء لفقد أو التلف، يرجى الاتصال بالبائع الذي اشتريته منه:
- اقرأ دليل الإرشادات هذا بعناية قبل الاستخدام، واحتفظ به كمرجع في المستقبل ②
- انتبه بشكل خاص إلى تعليمات وأخذيرات السلامة: فقد يؤدي الإخفاق في الالتزام بهذه التعليمات إلى التعرض لإصابة خطيرة:

البيانات الفنية ①

مكونات الآداة ②

- A واقي القطع
- B عجلة
- C قفل مغزلي
- D صامولة زنابق
- E مفتاح ربط
- F الفرشاة
- G مؤشر الفرشاة
- H جلبة القفل
- J أنبوب متداخل
- K مقبض
- L ماسك السلك
- M مفتاح التشغيل
- N فتحات التهوية
- P قضبان التخزين (البلاستيكية غير مرفقة)

أمان

تعليمات السلامة الخاصة بفرش الأعشاب

معلومات عامة

- قم بالتعرف على عناصر التحكم الموجودة في الآداة وكيفية الاستخدام:
- يُعد المنتج المستخدم هو المسئول عن الحوادث أو المخاطر التي قد يتعرض لها أشخاص آخرون أو ممتلكاتهم:
- لا تُستخدم الآداة إلا في درجة حرارة محيطية تتراوح بين ٠ و ٤٠ درجة مئوية:
- يُحظر نهائيًا تركيب عناصر قطع معدنية على هذه الآداة:
- لا تستخدم الآداة لإزالة العشب الجاف:

أمان الأشخاص

- لم يتم تصميم هذه الآداة للاستخدام بواسطة أفراد (بما فيهم الأطفال) ذوي قدرات بدنية أو حسية أو عقلية منخفضة أو محدودية الخبرة والعرفة ما لم يتم الإشراف عليهم وتزويدهم بالتعليمات المتعلقة بكيفية استخدام الآداة بواسطة فرد مسئول عن سلامتهم:
- تأكد من أن الأطفال لا يعينون بالآداة:
- لا تدع الأطفال أو الأشخاص الذين ليسوا على دراية بتعليمات التشغيل يستخدموا الآداة:
- قم دائمًا بإرتداء واقي العين وسراويل طويلة وأحذية قوية عند تشغيل الآداة:
- يُحظر نهائيًا تشغيل الآداة عند تعرض واقي القطع للتلف أو بدون تركيب واقي القطع:
- يُحظر نهائيًا تشغيل الآداة في اتجاه قريب من أشخاص، وأوقف تشغيل الآداة أثناء وجود أشخاص (خاصة الأطفال) أو حيوانات أليفة بالقرب من الآداة:
- يُحظر نهائيًا تشغيل الآداة وأنت مريضًا أو مريضًا أو تحت تأثير مواد مخدرة أو كحوليات أو أدوية مسكرة:

الأمان الكهربائي

- تأكد دائمًا من أن الفولت المزود هو نفسه المشار إليه على اللوحة الخاصة بالآداة (يمكن كذلك توصيل الآدوات ذات التصنيف ٢٣٠ فولت و ٢٤٠ فولت بمصدر إمداد ٢٢٠ فولت):
- قم بفحص السلك بشكل دوري وإذا تعرض للتلف، استعن بشخص مؤهل لاستبداله:
- قم بفحص سلك التمديد بشكل دوري واستبدله في حال تلفه (أسلاك التمديد غير الملائمة قد تكون خطيرة)
- لا تستخدم سوى سلك تمديد مخصص للاستخدام في المناطق المفتوحة ومزود بقياس يتوافق للماء ومقابس وصل:
- استخدم أسلاك تمديد مفكوكة تمامًا وأمنة سعة ١٦ أمبير (١٣ أمبير في بريطانيا العظمى)
- عند تشغيل الآداة في بيئات رطبة، استخدم قاطع الدورة (RCD) باستخدام تيار بدء إشعال مقداره ٣٠ مللي أمبير بحد أقصى:
- لا تطأ بقدميك فوق سلك (التمديد) أو تدسه أو تسحبه:
- قم بحماية سلك (التمديد) من الحرارة والزيوت والحواف الحادة:
- ابق سلك (التمديد) بعيدًا عن الفرشاة الدوارة:
- قم دائمًا بإيقاف تشغيل الآداة وفصل القابس من مصدر الطاقة إذا تعرض سلك إمداد الطاقة أو سلك التمديد للقطع أو التلف أو الانحناء (لا تقم بلمس السلك قبل فصل القابس):

الفرش

- تضمن SKIL التشغيل السليم للآداة فقط عند استخدام الملحقات الأصلية:
- لا تركيب إلا الفرش التي تزيد سرعتها (RPM) القصوى عن عدد اللفات في الحقيقية المبين على الآداة:
- فقط استخدم فرش بقطر مقداره ١٠٠ ملم كحد أقصى
- لا تستخدم الفرش البالية:
- يقع الصدا أو علامات التغيرات الكيميائية أو الميكانيكية التي تظهر على المواد المسسكة بخيوط الفرشاة قد تؤدي إلى تعطيل الآداة في وقت مبكر:
- خزن الفرش في مكان مناسب بطريقة جعلها محمية من التأثيرات التالية:
 - ارتفاع نسبة الرطوبة في الجو أو الحرارة أو الماء أو السوائل الأخرى التي قد تلتف الفرشاة:
 - الأحماض أو بخار الأحماض والتي قد تلتف الفرشاة:
 - انخفاض درجات الحرارة المحيطة يتسبب في حدوث تكثف على الفرشاة عند تخزينها في منطقة ذات درجات حرارة أعلى:
 - تشوه أي جزء من أجزاء الفرشاة:

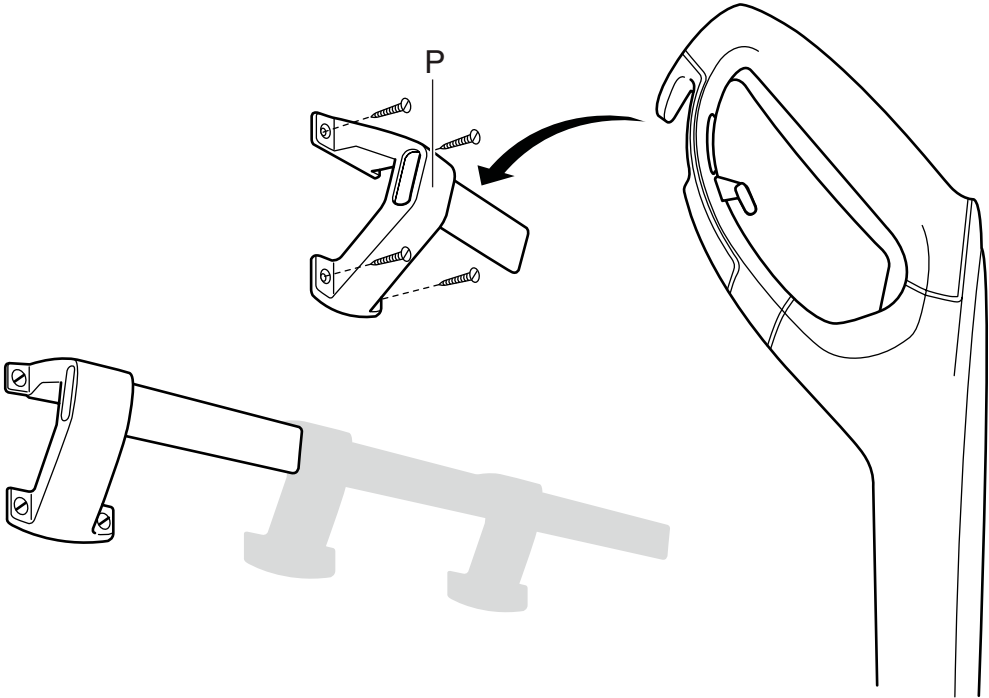
قبل الاستخدام

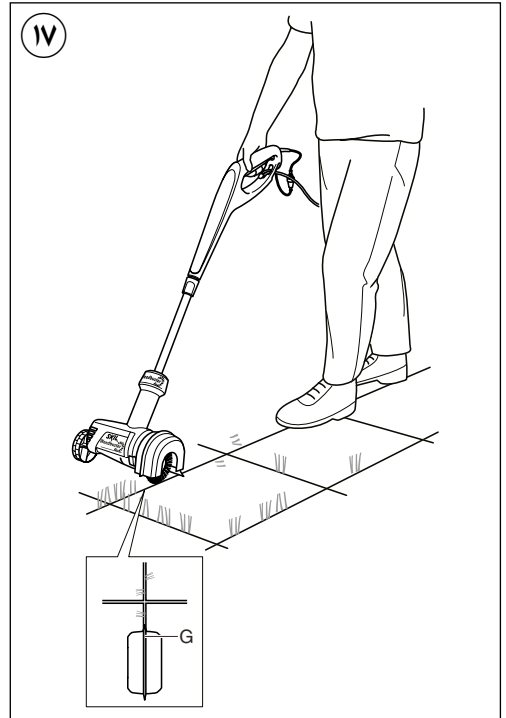
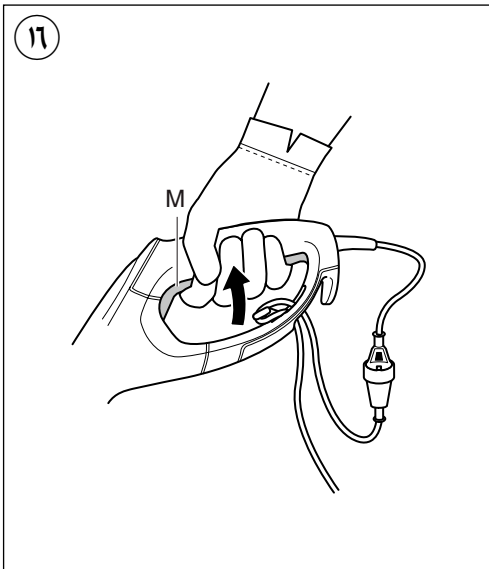
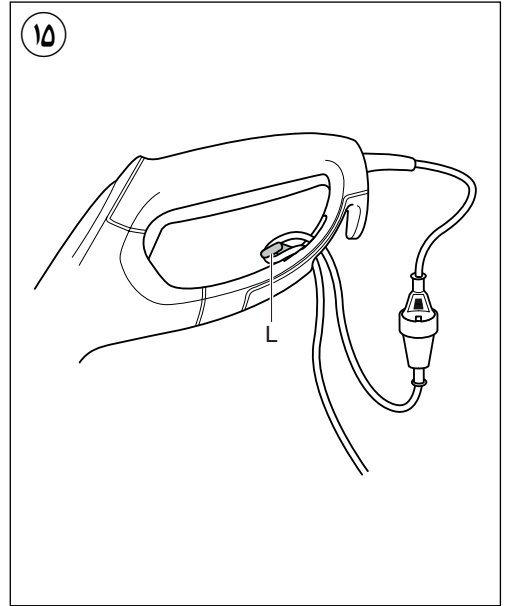
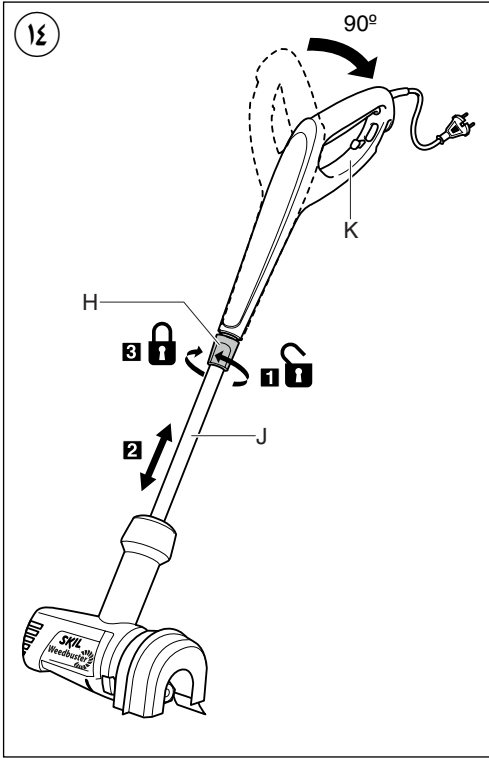
- لا تقم باستخدام الآداة إلا في ضوء النهار أو مع توفير إضاءة صناعية مناسبة:
- تحقق من وظيفة الآداة قبل كل استخدام وبعد تعرضها لأي اصطدام، وفي حالة وجود عطل، فقم على الفور بإصلاحها على يد أحد المؤهلين (يُحظر نهائيًا فتح الآداة بنفسك):
- انزع عدد الضبط أو مفتاح الربط قبل تشغيل العدة الكهربائية (قد تؤدي العدة أو المفتاح المتواجدين في جزء دوار من الجهاز إلى الإصابة بجروح)
- قبل الاستخدام، قم بفحص شامل لمنطقة القطع وقم بإزالة أي جسم قد تقذفه الآداة أثناء القطع (مثل الأحجار والأجزاء الخشبية المفكوكة وما إلى ذلك):

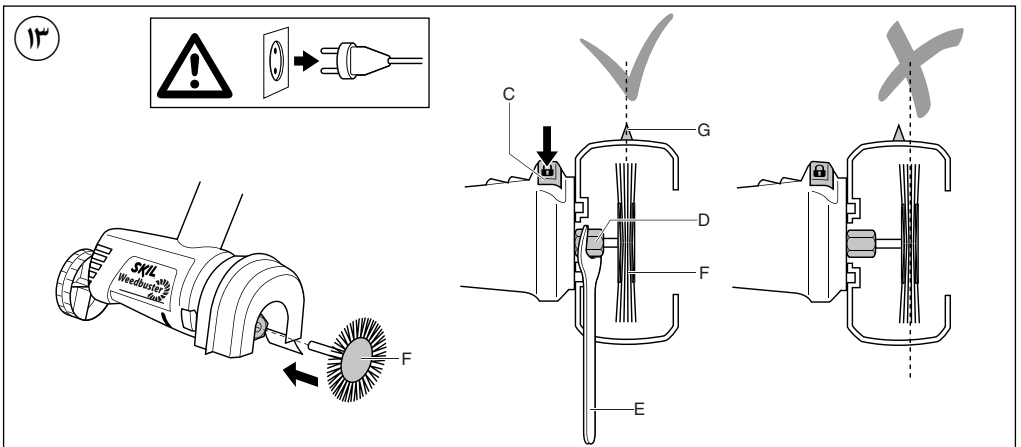
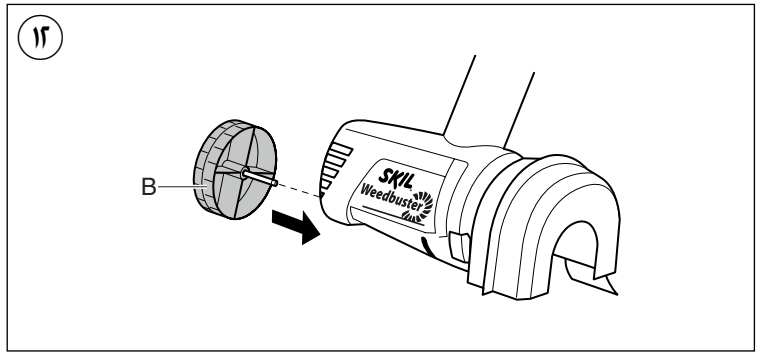
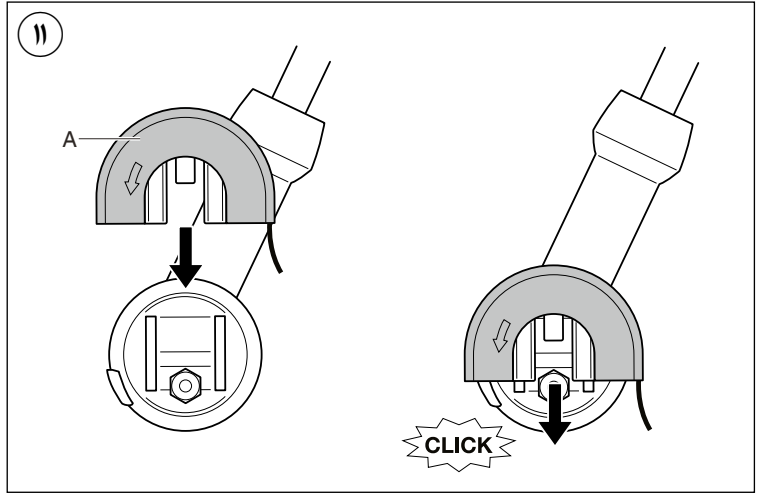
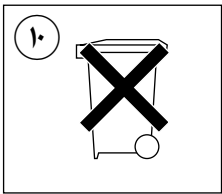
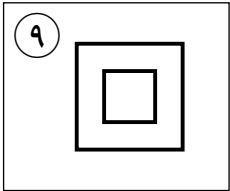
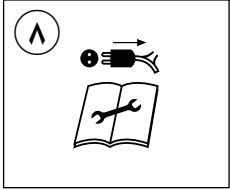
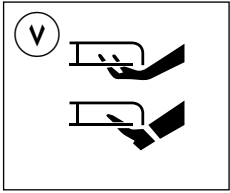
أثناء الاستخدام

- لا تستخدم الآداة إلا في وضع رأسي، بحيث تشير الفرشاة إلى الأرضية (يُحظر نهائيًا تشغيل الآداة في وضع مائل):
- قم بتشغيل الآداة بسرعة المشي فقط (لا جري):
- لا تمر بطرق أو مرات مغطاة بالحصى والآداة لا تزال قيد التشغيل:
- لا تعرض نفسك إلى ما يشتت انتباهك وركز دائمًا على ما تقوم به:
- تأكد دائمًا من الحفاظ على نظافة فتحات التهوية من الخلفات:
- بعد الاستخدام
 - تستمر الفرشاة في الدوران لمدة قصيرة بعد إيقاف تشغيل الآداة (لا تلمس الفرشاة الدوارة):
 - احرض دائمًا على فصل القابس من مصدر الطاقة:
 - حتى قيمت بترك الآداة بدون مراقبة:
 - قبل تنظيف المواد العالقة:
 - قبل فحص الآداة أو تنظيفها أو تشغيلها:
 - بعد رؤية جسم غريب:
 - متى بدأت الآداة في الاهتزاز بشكل غير معتاد:
 - قبل وضع الآداة جانبًا، أوقف تشغيل المحرك وتأكد من توقف جميع الأجزاء المتحركة بشكل تام:
 - خزن الآداة في مكان داخلي جاف ومحكم الغلق بعيدًا عن متناول الأطفال:

18








1


0700


500
Watt

n_0
3000
/min

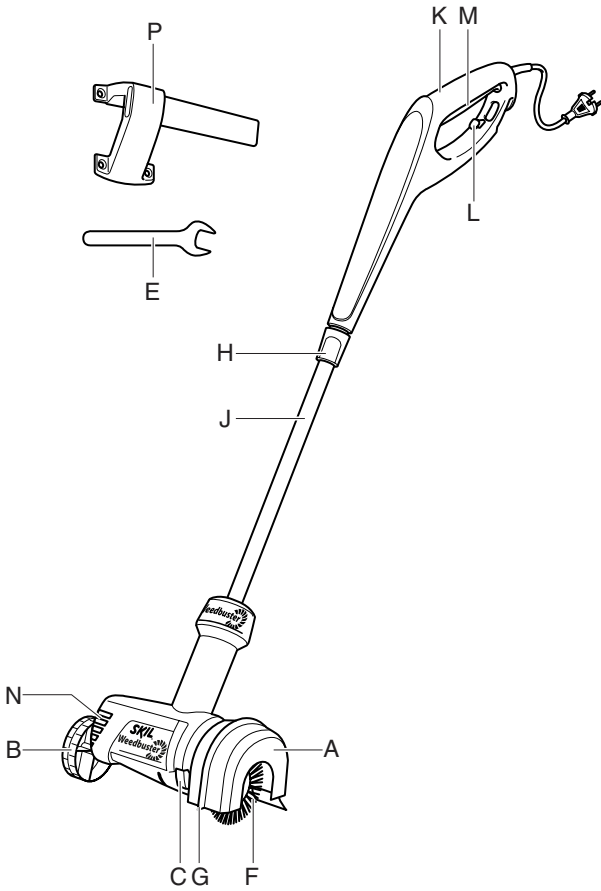

2,0 kg
EPTA 01/2003

220
-
240
V~
50-60 Hz

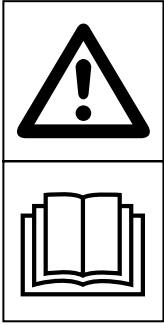
6 mm


± 100 mm
MAX


2



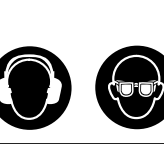
3



4



5



6



فرشاة الأعشاب

0700

SKIL[®]



دليل الاستعمال

AR

راهنماي اصلي

FA



2610Z05330

12/13

سكيل أوروبا ب.ق. - كونيغنبيرج 60
4825 ب.د. بريدا - هولندا



Сертификат о соответствии
KZ.7500052.22.01.00079
Срок действия сертификата о соответствии
по 09.07.2018
ТОО «Центр Сертификации продукции и услуг»
г. Алматы, ул Кабанбай батыра,
уг. Калдаякова 51/78

ДАТА ПРОИЗВОДСТВА