



серия RED3

Instruction manual Руководство по эксплуатации

*Электрический
накопительный
водонагреватель*

*Electrical
storage water
heater*

Модели/Models:

SWH RED3 50 V
SWH RED3 80 V
SWH RED3 100 V

Outlook of devices, also colour scores can be revised without any special advance notices.

Производитель вправе менять внешний вид прибора и цветовую гамму прибора без специального уведомления.

TABLE OF CONTENTS

1. Important information	2
2. Precautions	3
3. Application of water heater	3
4. Performance parameters	3
Technical characteristics	4
Dimensions	4
5. Water heater description	5
6. Scope of delivery	5
7. Water heater installation	5
Location	5
Water heater mounting methods	5
Water heater mounting	7
Connection to water main	7
8. Connection to electric main	8
Water heater operation	9
9. Maintenance	10
10. Troubleshooting	11
11. Wiring diagram	12
12. Transportation and storage conditions	12
13. Disposal	12
14. Serial number and production date	12

Dear customer!

Thank you for your good choice. You purchased **TIMBERK electric storage water heater with an enameled internal tank. It will serve you for a long time!**

TIMBERK electric storage water heaters will provide a lot of hot water and will automatically maintain the specified temperature. They are perfect to provide hot water for country houses, cottages, baths and other standalone amenity rooms.

1. IMPORTANT INFORMATION

Please, read this operation manual carefully prior to use of the water heater.

This operation manual contains important information regarding your safety, as well as recommendations on the proper operation of the unit and its maintenance.

Save this operation manual together with the guarantee card, cash register receipt, if possible, cardboard box and packing material.

Different types of this device are described in this manual.

The purchased water heater can slightly differ from the one, described in the manual, but that doesn't affect methods of its use and operation.



IMPORTANT!

Important precautions and instructions, contained in this manual, do not account for all possible modes and situations to be encountered. It is vital to understand that common sense, caution and thoroughness are the factors that are impossible to be built-in in any product. These factors must be taken into consideration by a person, interested in proper operation of the unit. The manufacturer does not bear any responsibility in case when the unit or its parts are damaged during transportation, as a result of improper installation, voltage fluctuations, as well as if some part of the unit was altered or modified.

2. PRECAUTIONS

Certain precautions are to be observed upon use of the water heater. Improper use due to ignoring precautions may harm health of the user and other people as well as damage their property.

1. Any electrical appliance must be under control upon its use, especially if there are children nearby. Make sure children do not touch the appliance.
2. Prior to installation of the water heater, not connecting it to the electrical main, check and make sure that the outlet for the water heater has a ground contact and it is properly earthed. If there is no earth loop in your electrical main then using of the water heater will be dangerous for your life.
3. Connect the water heater only to 220V / 50Hz electrical main. If necessary, find out parameters of your main at power suppliers.
4. To prevent overheating and risk of fire as well as damage of inner electrical main do not modify the power cord's length and do not connect the water heater through power extension cord.
5. It is forbidden to switch on the water heater if it is not filled with water or if water cannot go through the pressure safety valve.
6. Never use the water heater if it is damaged.
7. Do not remove the water heater cover when it is in operation.
8. Immediately unplug the water heater from the electrical main if strange sounds, odour or smoke comes out from it.
9. Always unplug the water heater from the electrical main during thunderstorm.
10. Prior to cleaning and maintenance of the water heater unplug it from the electrical main every time. Cleaning and maintenance must be performed in compliance with the instructions contained in this manual.
11. Do not use hazardous chemical substances to clean the water heater and prevent their contact with the appliance.
12. To prevent electrical shock the damaged power cord must be replaced only by qualified specialists in manufacturer's authorized service centres.
13. To prevent electrical shock do not place the power cord nearby heating devices and flammable or combustible agents.
14. As temperature of water in the water heater can reach 75°C when it is in operation you should not place your body parts under hot water upon the first run. To prevent burns you should adjust the temperature of the outflowing water.
15. Do not use the water heater for purposes not stipulated in this instruction manual.

tion manual.

16. Do not use the water heater in an explosive or corrosive environment. Do not store petrol and any other volatile flammable liquids near to the appliance. It is very dangerous!

17. It is forbidden to make alterations in the design of the water heater or modify it.

18. Any service works must be performed by a specialized organisation and qualified specialists. Improper installation may cause voiding of guarantee maintenance.

19. The water heater is not intended for use by children and persons with reduced physical, sensory or mental capabilities, or a lack of experience and knowledge unless they are under supervision or instructed on using of the appliance by a person responsible for their safety. Children should be controlled to ensure that they do not play with the appliance.

3. APPLICATION OF WATER HEATER

Electric water heater is used to heat cold water from water supply. Unit is for household use.

4. PERFORMANCE PARAMETERS

1. Completely automatic control: automatic water heating, continuous automatic water temperature control.

2. **DROP Defense** – leakage protection and protection against surplus pressure within a tank (pressure safety valve).

HOT Defense – two-stage overheating protection (thermostat and temperature limiter).

ALL PROTECTION SYSTEMS ARE RELIABLE AND SAFE.

3. Steel internal tank with a special titanium fine glass enamel coating, applied by the modern electrostatic dry enameling method, is resistant to corrosion and scale. Also enamel has an increased adhesive capability and high ductility (hardened at 850°C), which allows it to expand and contract at temperature drops in the same ratio as the internal tank walls not generating microcracks, where corrosion may emerge.

4. Pipes of heating elements are designed taking into account high heat load: safe and reliable, with an increased service life.

5. The water heater is equipped with an anode bar to protect the internal tank from corrosion and decrease scale generation on the heating element.

6. Internal thickened urethane foam insulation allows to efficiently preserve temperature of the heated water and minimize heat losses, reducing power consumption of the water heater.

7. The water heater has simple structure and is convenient in service.

Technical characteristics

Technical characteristics of water heaters are given below in Table 1.

Table 1

Description	Units	SWH RED3 50 V	SWH RED3 80 V	SWH RED3 100 V
Power supply	V/Hz	220~/50	220~/50	220~/50
Rated current	A	6,8	6,8	6,8
Nominal power consumption	W	1500	1500	1500
Tank capacity	L	50	80	100
Rated pressure	Mpa	0,75	0,75	0,75
Water protection	–	IPX4	IPX4	IPX4
Electrical protection class		I	I	I
Heating time, at $\Delta 30$ °C	min	40	68	80
Appliance dimensions (WxHxD)	mm	Ø390x645	Ø400x775	Ø440x925
Net weight	kg	15,1	22,0	26,0
Factual year energy consumption	kW·h	405,15	525,6	631,45
Constant daily heating loss	kW·h / day	1,15	1,49	1,76

Dimensions

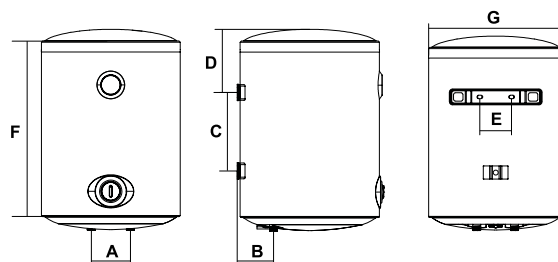


Fig. 1

Fig. 2

Fig. 3

Dimensions of water heaters (mm) are made in accordance with fig. 1, fig. 2 and fig. 3.

Table 2

	Capacity, l	A	B	C	D	E	F	G
SWH RED3 50 V	50	100	112	250	160	84	580	Ø390
SWH RED3 80 V	80	100	137	300	173	84	710	Ø400
SWH RED3 100 V	100	100	137	450	173	84	860	Ø440

5. WATER HEATER DESCRIPTION

RED3...V

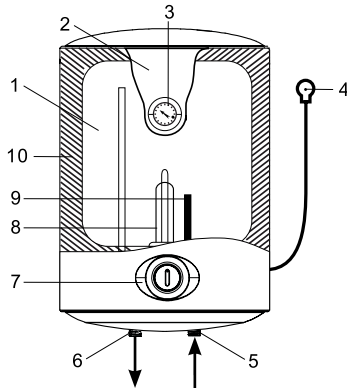


Fig. 4

1. Internal tank
2. External case
3. Thermometer
4. Power cable
5. Hot water inlet nozzle
6. Hot water outlet nozzle
7. Control panel
8. Heating element
9. Protective magnesium anode
10. Heat insulation

6. SCOPE OF DELIVERY

1. Water heater – 1 pc.
2. Anchor bolt – 2 pcs.
3. Pressure safety valve – 1 pc.
4. Operation manual – 1 pc.
5. Guarantee slip – 1 pc.
6. Package – 1 pc.

7. WATER HEATER INSTALLATION

Location

1. Electric water heater should be mounted on a firm wall.
2. The wall, where the electric water heater is to be mounted, must withstand at least the double weight of the water heater, fully filled with water; there must be no cracks and other damages on the wall. Otherwise it is necessary to take measures to strengthen the mounting or mount the water heater on a special support.
3. If a bathroom is too small, the water heater can be installed elsewhere, unexposed to direct sunlight and unavailable for moisture. However, to reduce heat losses in pipelines, the location, where a water heater is to be installed, must be as close to the place, where hot water is used, as possible.

Water heater mounting methods

Fig. 5 shows the way to mount the water heater for one consumption point (for SWH RED3 ... V).

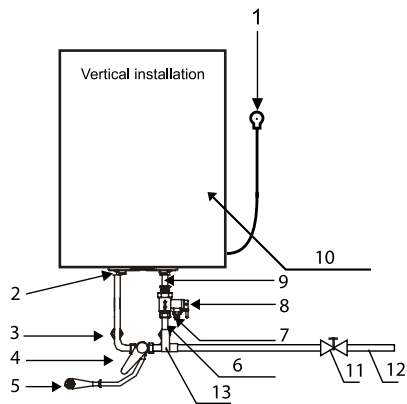


Fig. 5

1. Power cord with a plug
2. Magnesium anode – water discharge nozzle
3. Water outlet
4. Hot water supply adjustment tap*
5. Mixer*
6. Shower header*
7. Cold water supply adjustment tap*
8. Pressure relieving opening
9. Check relief valve
10. Water inlet
11. Water heater
12. Water main shut-off valve*
13. Water main
14. T-bend*

*Does not included in the scope of delivery

Water heater mounting methods

Fig. 6 shows the way to mount the water heater for several consumption points (for SWH RED3 ... V).

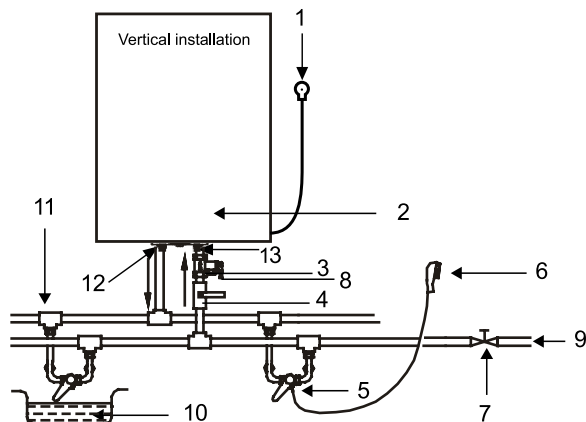


Fig. 6

1. Power cord with a plug
2. Water heater
3. Check relief valve
4. Cold water supply valve*
5. Mixer*
6. Shower header*
7. Water main shut-off valve*
8. Pressure relieving opening
9. Water main
10. Bath tub*
11. T-bend*
12. Water outlet
13. Water inlet

Water heater mounting



NOTE:

Please, use accessories, provided by the manufacturer, to install the water heater. Electric water heater must not be mounted on a wall prior you make sure that the bracket is installed firmly and securely. Otherwise the electric water heater may fall down from the wall, which may cause its damage and even serious accidents involving bodily injury. When determining points for bolt holes, it is necessary to provision some spare space between the lower part of the water heater and the floor not less than 0.6 m, to make it convenient to perform maintenance if necessary.

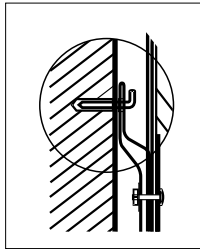


Fig. 7

1. The electric water heater must be mounted on a solid wall. If wall strength doesn't allow to bear the double weight of the total water heater weight fully filled with water, then it should be mounted on a special support.
2. After you chose the proper place to install the water heater, determine points for holes for anchor hook bolts (to be determined in accordance with the data sheet for the appliance you chose). Drill two holes of the corresponding depth in the wall using a drill, dimensionally fit for anchor bolts, enclosed with the water heater.

Then insert bolts into the drilled holes, and, turning bolt hooks clockwise, securely tighten bolt nuts, then hang the water heater on these anchor bolt hooks (see Fig. 7).

3. Fix a power outlet to the wall. Requirements to the outlet are as follows: 220V/10A, single-phase, three-wired. It is recommended to place the outlet on the right side above the water heater.



NOTE:

In places or on the wall, where there may be a water contact, the power outlet installation height must be not less than 1.8 m.

Connection to water main

1. The heater must be connected to water main with at least 0.1 MPa pressure; maximum pressure is 0.75 MPa.



NOTE:

The water heater is an appliance, operating in such a manner that pressure of water in the water heater corresponds to the pressure of water in water main. If pressure in the main exceeds 0.75 MPa, then it is necessary to mount a pressure reducer before the water heater so that pressure doesn't exceed 0.75 MPa.

2. G1/2 diameter pipes are used to connect the water heater to the water pipeline.
3. To prevent a leakage when connecting pipes, use rubber sealing gaskets on the threaded pipe ends.
4. Screw a relief valve to the inlet nozzle, marked blue and embossed arrow of the water flow direction, so that the water flow direction coincides with direction of the arrow on the valve's case.



NOTE:

Do not mount additional accessories, such as a shut-off valve, between the relief valve and the inlet nozzle.

5. Water heater with the mounted valve must be connected to the water main – install a shut-off valve at the water inlet point. You need to connect a drain pipe to the opening of the pressure relief of safety valve. Next you should put a drain pipe to the sewer.
6. Connect the desired number of consumption points to the outlet nozzle, marked red.
7. Open the shut-off tap and one of the tap assemblies. After the tank is filled with water, as evidenced by issue of water from the cock assembly, shut the cock assembly and check the leak integrity of all joints.



IMPORTANT!

If water in the installation location contains a large amount of calcium, manganese or iron salts, then necessary to mount a respective filter in the delivery system to reduce the amount of scale generated in the tank and on the heating element.



IMPORTANT!

To provide reliable operation and safe use of the water heater, prior to the first run check if it is properly connected to the 220V AC mains. The water heater to be connected must be securely linked with the earth circuit of your electric mains. The waterheater must be grounded properly, otherwise it is extremely dangerous for life safety.

Connection to electric main



IMPORTANT!

Prior to connecting the tank water heater, make sure that the water heater is properly grounded. Proper grounding is important to minimize electric shocks and risk of fire. The power cord is equipped with a plug with a grounding pin. The appliance must be used with a properly grounded power outlet. If the outlet, you are intending to use, is not properly grounded or grounded by a time-delay fuse or a circuit breaker, contact a qualified electrician to install a proper outlet.

1. The water heater is designed to be connected to 220V single-phase electric main. Prior to connecting make sure that parameters of the electric main in the place of connection correspond to parameters, specified on the identification plate with technical parameters of the appliance. You should follow the current electrical safety code when installing the water heater.

2. The power outlet must be properly grounded. The outlet must be designed for rated current not less than 10A, electric cable with copper core must have cross section not less than 3x1.5 mm² (for copper).

The power outlet and plug must always be dry to prevent current leakage. Regularly check if the power plug is tightly connected to the outlet. Do it in the following order: insert the power plug into the outlet, switch off the water heater after half-hour operation and unplug the cord, check if the plug is heated by your hand. If the plug is heated over 50°C, then to prevent damages, accidents and fire as a result of bad electrical contact, replace the outlet with a new one. A specialist must do this.

8. WATER HEATER OPERATION

1. At first, open one of the separable taps at the water heater outlet, then open the inlet tap. The electric water heater will start filling with water. When water flows from separable tap freely, it means the water heater is fully filled with water and you can close the separable tap.



NOTE:

During normal operation the cold water supply valve must be opened.

2. Plug the power cord into the outlet.




IMPORTANT!

The outlet must be designed for rated current not less than 10A, electric cable with copper core must have cross section not less than 3x1.5 mm² (for copper).

3. Turn the thermostate handle (fig. 4,5) clockwise and set the desirable temperature. The temperature can be set from +35°C (±5°C) (MIN) position of the thermostat knob) up to 70°C (±5°C) (rightmost «MAX» position of the thermostat knob). To reduce the water temperature turn the handle anticlockwise.

4. Water temperature keeps up by the thermostate automatically. When water temperature reach the set level, Heating is automatically switched off. At that, the indicator lamp in the lower part of the appliance extinguishes. When the temperature be lower then set, the heating will automatically start again and the indicator lamp lights up.

5. To turn off the waterheater, turn the handle to the closest left position «» and unplug the power cord or disconnect the appliance from the power supply.



IMPORTANT!

Water can start to drip from the opening of safety valve then heating process is going. It's impossible to avoid leakage of water and you can't prevent this! Locking of valve may cause rupture of the inner tank in case of failure.



IMPORTANT!

“Optimum” position on the control panel corresponds to the optimum water heating temperature of 58 +/-2°C, at which:

1. The user is less likely to get burned in case when the outlet water temperature is incorrectly adjusted.
2. A sufficient amount of hot water is obtained after mixing with cold water, at a lesser power energy consumption.
3. Less scale is generated on the heating element and internal surfaces of the water heater.

9. MAINTENANCE

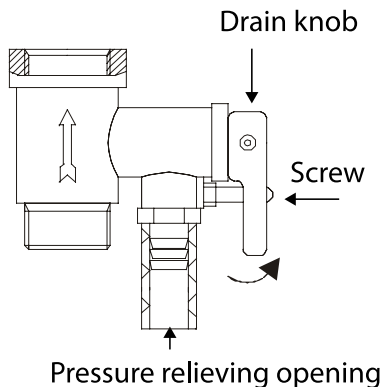


Fig. 8

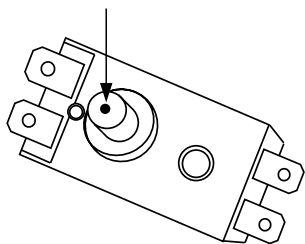


Fig. 9

1. Check the power plug and outlet as often as possible. Secure electrical contact and also proper grounding must be provided. The plug and outlet must not heat excessively.

2. If the water heater is not used for a long time, especially in regions with low air temperature (below 0°C), it is necessary to drain water from the heater to prevent damage of the water heater (due to water freezing in the internal tank).

3. To ensure long reliable water heater operation, it is recommended to regularly clean the internal tank and remove deposits on the electric heating element of the water heater, as well as check condition (fully decomposed or not) of the magnesium anode and, if necessary, replace it with a new one in case of full decomposition.

4. Tank cleaning frequency depends on hardness of water located in this territory. Cleaning must be performed by special maintenance services. You can ask the seller for address of the nearest service center or find it on the website www.timberk.com.



IMPORTANT!

The manufacturer provides an extended guarantee for particular water heater components provided that timely and proper routine maintenance is performed by specialists of an authorized service center (see the guarantee slip).

Preventive operations must be performed upon strict observance of the operation manual and safety precautions.

5. The water heater is equipped with a thermal switch, which cuts off power supply of the heating element upon water overheating or its absence in the water heater. If the water heater is connected to the mains, but water is not heated and the indicator doesn't light up, then the thermal switch was switched off or not switched on. To reset the water heater to the operating condition, it is necessary to:

- de-energize the water heater, remove the plate of the side / lower cover.
- press the button, located at the center of the thermal switch, Fig.10;
- if the button is not pressed and there is no clicking, then you should wait until the thermal switch cools down to the initial temperature.



IMPORTANT!

If these actions had no positive result or the thermal switch turns off repeatedly during a short period of time, then you should de-energize the water heater, cut off water supply and contact your local Timberk Authorized Service Center for a consult or repair of the appliance.

6. Water can be drained through a composite relief valve (Fig. 9) (unscrew the composite relief valve drain knob screw and set the drain knob to the upper position, at that hot water tap must be open, and cold water supply valve must be closed).



IMPORTANT!

Never drain water if its temperature is over 50°C since it may result in burns.

7. Bear in mind to check serviceability of the relief valve every 14 days – inspection method:

- turn the discharge lever to the left up until you feel the change of thread, then water must start flowing from the valve's hole. After checking the water flow, return the lever to its initial position.



IMPORTANT!

If water doesn't flow, then the valve is damaged. In this case you must not use the heater and it is recommended to call for a service technician.

8. If necessary, wipe external surfaces of the heater by a damp cloth with soap.

10. TROUBLESHOOTING

Possible malfunctions and troubleshooting methods

Table 3

Failure	Possible causes	Troubleshooting method
Heating indicator light doesn't light up, water is not heated	1. Temperature adjustment device is broken.	Contact a repairer, TIMBERK service center.
	2. Temperature limiter was actuated or was not switched on.	Switch on the temperature switch following instructions on its activation. (page 15)
	3. Temperature limiter is broken.	Contact a repairer, TIMBERK service center.
Water doesn't flow from the hot water discharge cock	1. Water feed is cut off.	1. Wait until water supply is restored.
	2. Water pressure is too low.	2. Switch on the water heater again, when normal water pressure restores.
	3. Water supply exhaust valve is closed.	
Water temperature is too high	Water temperature control system is damaged.	Contact a repairer, TIMBERK service center.
Water leakage	Seal at the point of pipe connection is broken.	Replace the joint seal.
Water flows from the appliance's case	Breaking of the internal tank (corrosion)Seal at the point of the heating element connection is broken.	Contact a repairer, TIMBERK service center.

11. WIRING DIAGRAM

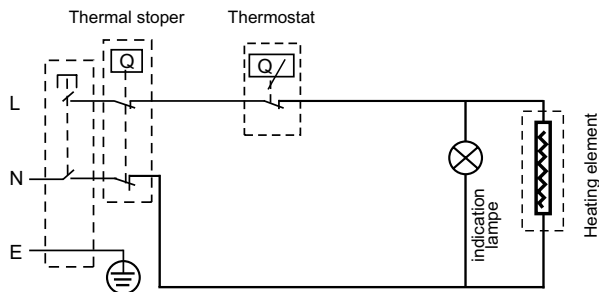


Fig. 10



NOTE:

Technical and any other characteristics of the appliance can be revised.

Such changes may be introduced without warning and prior notice to the consumers.

The manufacturer shall not be liable for changes in the appliance's wiring diagram that may be implemented without notice to the consumers.



IMPORTANT!

To ensure reliable operation and safe use of the water heater, prior to the first activation check if it is correctly connected to 230V alternating voltage mains. The water heater to be connected must be securely connected to an earth circuit of your electric mains.

Timberk disclaims any liability for possible damage, directly or indirectly caused by Timberk products to people, pets, property in case if it occurred as a result of failure to observe rules and conditions of operation, unit's installation, deliberate or careless actions of the consumer or third parties.

The tank water heater is not intended to be used by children, old or disabled people without supervision. Make sure to use the water heater carefully, do not switch between modes abruptly, closely follow recommendations, set forth in this operation manual. Children nearby the fan heater must be supervised by adults and must never use the unit playing games.

Guarantee card is enclosed in the product package!

12. TRANSPORTATION AND STORAGE CONDITIONS

Temperature requirements*	Transportation and storage	From -30° to +50°
Humidity requirements*		From 15% to 85% (without a condensate)

We are exploring new technologies and we constantly improving the quality of our products. That's why specifications, design and accessories are subject to change without any specific notice.

13. DISPOSAL

The water heater should be disposed upon the end of life. You can obtain detailed information on water heater disposal from a representative of local authorities.

14. SERIAL NUMBER AND PRODUCTION DATE

Serial number, production month and year are included in ID LINE product code. Sticker with ID LINE code is pasted on product surface. Month and two last numbers of year is putted after symbol "-".

СОДЕРЖАНИЕ

1. Важная информация	13
2. Меры предосторожности	14
3. Назначение прибора	15
4. Рабочие характеристики	15
Основные особенности	15
Технические характеристики	15
5. Конструкция водонагревателя	16
6. Комплект поставки	17
7. Установка водонагревателя	17
Местоположение	17
Способы монтажа водонагревателя	18
Монтаж водонагревателя	18
Подключение к водопроводной магистрали	19
Подключение к электрической сети	20
8. Эксплуатация водонагревателя	20
9. Обслуживание водонагревателя	21
10. Устранение неисправностей	23
11. Электрическая принципиальная схема	23
12. Условия транспортировки и хранения	24

Уважаемый покупатель!

Благодарим Вас за удачный выбор. Вы приобрели электрический накопительный водонагреватель Timberk с эмалированным внутренним резервуаром из нержавеющей стали. Он прослужит Вам долго.

Электрические накопительные водонагреватели Timberk подготовят большое количество горячей воды и будут поддерживать заданную температуру автоматически. Они идеально подходят для снабжения горячей водой загородных домов, коттеджей, бань и прочих индивидуальных бытовых помещений.

1. ВАЖНАЯ ИНФОРМАЦИЯ

Просим внимательно ознакомиться с руководством по эксплуатации перед использованием водонагревателя.

В данном руководстве по эксплуатации содержится важная информация, касающаяся Вашей безопасности, а также рекомендации по правильному использованию прибора и уходу за ним. Сохраните руководство по эксплуатации вместе с гарантийным талоном, кассовым чеком, по возможности, картонной коробкой и упаковочным материалом. В данном руководстве по эксплуатации описываются разные виды данного типа устройства.

Приобретенный Вами водонагреватель может несколько отличаться от описанного в руководстве, что не влияет на способы использования и эксплуатации.



ВНИМАНИЕ!

Важные меры предосторожности и инструкции, содержащиеся в данном руководстве, не включают всех возможных режимов и ситуаций, которые могут встречаться. Необходимо понимать, что здравый смысл, осторожность и тщательность являются факторами, которые невозможно «встроить» ни в один продукт.



ВНИМАНИЕ!

Эти факторы должен учитывать человек, который заинтересован в надлежащей эксплуатации устройства. Изготовитель не несет ответственности в случае повреждения прибора или его отдельных частей во время транспортировки, в результате неправильной установки, в результате колебаний напряжения, а также в случае, если какая-либо часть прибора была изменена или модифицирована.

2. МЕРЫ ПРЕДОСТОРОЖНОСТИ

При использовании водонагревателя, необходимо соблюдать ряд мер предосторожности. Неправильная эксплуатация в силу игнорирования мер предосторожности может привести к причинению вреда здоровью пользователя и других людей, а также нанесения ущерба их имуществу.

1. Любой электроприбор должен находиться под наблюдением во время его эксплуатации, особенно, если неподалёку от него находятся дети. Внимательно следите за тем, чтобы дети не прикасались к прибору.
2. Перед установкой водонагревателя, не подключая его к электросети, проверьте и убедитесь, что сетевая розетка для водонагревателя имеет контакт заземления и правильно заземлена. При отсутствии заземляющего контура в вашей электросети эксплуатация водонагревателя опасна для жизни.
3. Подключайте водонагреватель только к сети 230В/50Гц. При необходимости выясните характеристики своей сети у поставщиков электроэнергии.
4. Во избежание перегрева и риска возникновения пожара, а также повреждения внутренней электрической сети, не изменяйте длину сетевого шнура и не подключайте водонагреватель через электрические удлинители.
5. Запрещается включать водонагреватель, если он не наполнен водой или если обнаружена непроходимость воды через предохранительный клапан.
6. Никогда не используйте водонагреватель, если он неисправен.
7. Не снимайте крышки водонагревателя во время его работы.

8. Незамедлительно отключите водонагреватель от электрической сети, если от него идут странные звуки, запах или дым.

9. Всегда отключайте водонагреватель от электрической сети во время грозы.

10. Перед началом чистки и технического обслуживания водонагревателя всегда отключайте его от электрической сети. Чистку и техническое обслуживание производите в соответствии с указаниями данного руководства по эксплуатации.

11. Не используйте опасные химические вещества для чистки водонагревателя и не допускайте их попадания на него.

12. Во избежание опасности поражения электрическим током, поврежденный сетевой шнур должен меняться только в авторизованных сервисных центрах изготовителя, квалифицированными специалистами.

13. Во избежание опасности поражения электрическим током не размещайте шнур питания рядом с нагревательными приборами и легковоспламеняющимися или горючими веществами.

14. Поскольку температура воды в водонагревателе может достигать 75°C, при использовании водонагревателя не следует подставлять части тела под горячую воду при первом включении. Для предотвращения ожогов правильно отрегулируйте температуру вытекающей воды.

15. Не используйте водонагреватель, в целях, не предусмотренных этим руководством по эксплуатации.

16. Не используйте водонагреватель во взрывоопасной или коррозионной среде. Не храните рядом с прибором бензин и другие летучие легковоспламеняющиеся жидкости это очень опасно!

17. Запрещено вносить изменения в конструкцию водонагревателя или модифицировать его.

18. Любые сервисные работы должны производиться специализированной организацией, квалифицированными специалистами. Неправильная установка может повлечь за собой отказ в гарантийном обслуживании.

19. Водонагреватель не предназначен для использования лицами (включая детей) с ограниченными физическими, сенсорными или умственными возможностями, обладающими недостаточным опытом и знаниями, если они не находятся под наблюдением и не получили инструкций по использованию устройства от лица, ответственного за их безопасность. Необходимо, следить, чтобы дети не играли с прибором.

3. НАЗНАЧЕНИЕ ПРИБОРА

Электрический водонагреватель накопительного типа предназначен для нагрева поступающей из водопровода холодной воды. Он применяется в бытовых целях.

4. РАБОЧИЕ ХАРАКТЕРИСТИКИ

Основные особенности

1. Полностью автоматическое управление: автоматический нагрев воды, постоянный автоматический контроль температуры воды.

2. Система защиты:

- Drop Defense - защита от протечки и избыточного давления внутри бака (предохранительный клапан)

- HOT Defense - двухуровневая защита от перегрева (температурный датчик и ограничитель температуры)

3. Стальной внутренний резервуар со специальным защитным покрытием из титановой мелкодисперсной стеклоэмали, нанесённой по современному методу электростатической сухой эмалировки, прочен к воздействию коррозии и накипи. Также эмаль имеет повышенную адгезивную способность и высокую пластичность (закалена при температуре 850°C), что позволяет ей расширяться или сжиматься при перепадах температур в той же пропорции, что и стенки внутреннего резервуара, не образуя микротрещин, в которых может возникнуть очаг коррозии.

4. Водонагреватели серии Safety Heat RED3 оснащены сухим нагревательным элементом нового поколения, что гарантирует максимально-долгий срок службы водонагревателя без замены ТЭНа, что подтверждается 3-летней расширенной гарантией на нагревательный элемент данной серии. Кроме этого инновационная конструкция сухого нагревательного элемента исключает возможность поражения электрическим током, выход из строя водонагревателя при кратковременном включении без воды.

5. Трубки нагревательных элементов спроектированы с учетом большой тепловой нагрузки: безопасные и надежные с увеличенным сроком службы.

6. Водонагреватель оснащен анодным стержнем для защиты от коррозии внутреннего резервуара и уменьшения образования накипи на нагревательном элементе.

7. Внутренняя утолщенная пенополиуретановая теплоизоляция позволяет эффективно сохранять температуру нагретой воды и сводить к минимуму теплопотери, снижая энергопотребление водонагревателя.

8. Водонагреватель имеет простое устройство и удобен в эксплуатации.

Технические характеристики

Технические характеристики водонагревателя приведены в таблице 1.

Таблица 1

Наименование	Ед. измерения	SWH RED3 50 V	SWH RED3 80 V	SWH RED3 100 V
Параметры электропитания	В/Гц	220~/50	220~/50	220~/50
Номинальная сила тока	А	6,8	6,8	6,8
Максимальная потребляемая мощность	Вт	1500	1500	1500
Объем	л	50	80	100
Номинальное давление	МПа	0,75	0,75	0,75
Класс влагозащиты	-	IPX4	IPX4	IPX4
Класс защиты	-	I	I	I
Время нагрева при Δ 30 °С	мин.	40	68	80
Размеры прибора	мм	Ø390x645	Ø400x775	Ø440x925
Вес	кг	15,1	22,0	26,0
Факт. годовое потребление электроэнергии	кВт·ч	405,15	525,6	631,45
Постоянные суточные потери	кВт·ч/сут	1,15	1,49	1,76

Размерные характеристики

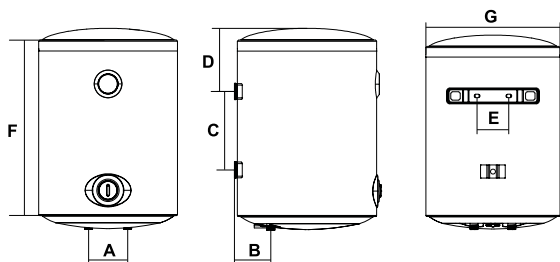


Рис. 1

Рис. 2

Рис. 3

Размерные характеристики водонагревателя (в мм) согласно рис. 1, 2, 3 приведены в таблице 2.

Таблица 2

Артикул	Объем, л	A	B	C	D	E	F	G
SWH RED3 50 V	50	100	112	250	160	84	580	Ø390
SWH RED3 80 V	80	100	137	300	173	84	710	Ø400
SWH RED3 100 V	100	100	137	450	173	84	860	Ø440

5. КОНСТРУКЦИЯ ВОДОНАГРЕВАТЕЛЯ

Серии RED3...V

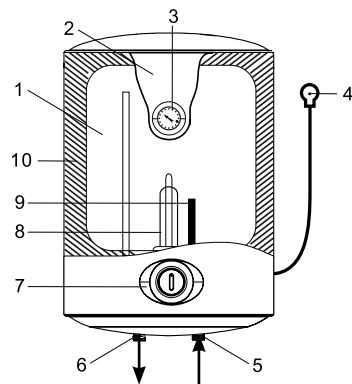


Рис. 4

1. Внутренний резервуар
2. Внешний корпус
3. Термометр
4. Сетевой шнур
5. Входной патрубок
6. Патрубок выхода горячей воды
7. Ручка термостата
8. Нагревательный элемент (ТЭН)
9. Защитный магниевый анод
10. Теплоизоляция

6. КОМПЛЕКТ ПОСТАВКИ

1. Внешний корпус
2. Внутренний резервуар
3. Ручка термостата
4. Патрубок выхода горячей воды
5. Сетевой шнур
6. Входной патрубок
7. Теплоизоляция
8. Нагревательный элемент (ТЭН)
9. Защитный магниевый анод
10. Термометр

7. УСТАНОВКА ВОДОНАГРЕВАТЕЛЯ

Местоположение

1. Электрический водонагреватель следует устанавливать на прочной стене.
2. Стена, на которой устанавливается электрический водонагреватель, должна выдерживать, как минимум, двойной вес водонагревателя, полностью заполненного водой, на стене должны отсутствовать трещины и другие повреждения. В противном случае необходимо принять меры для усиления крепления или установить водонагреватель на специальной опоре.
3. Если ванная комната слишком маленькая, водонагреватель можно установить в другом месте, закрытом от прямого солнечного света и недоступном для попадания влаги. Однако для снижения потерь тепла в трубопроводах место установки водонагревателя должно находиться как можно ближе к месту использования горячей воды.

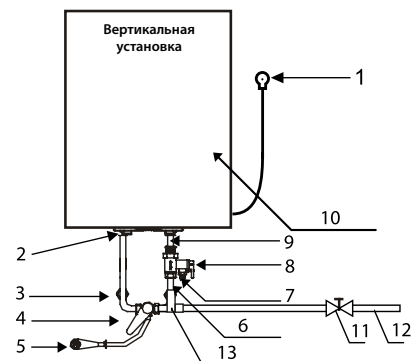


Рис. 5

1. Сетевой шнур с вилкой
2. Выходной патрубок
3. Кран регулировки потока горячей воды*
4. Смеситель*
5. Душевая насадка*
6. Кран регулировки потока холодной воды*
7. Отверстие для сброса давления
8. Обратный предохранительный клапан
9. Входной патрубок
10. Водонагреватель
11. Отсечный кран водопроводной магистрали*
12. Водопроводная магистраль
13. Тройник*

*-не входит в комплект поставки

Способы монтажа водонагревателя

Способ монтажа водонагревателя для нескольких точек потребления представлен на рис. 6.

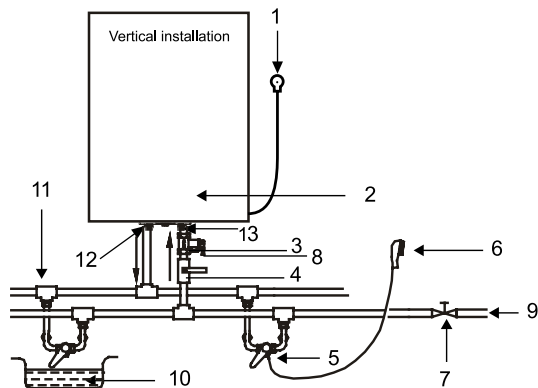


Рис. 6

1. Сетевой шнур с вилкой
2. Водонагреватель
3. Обратный предохранительный клапан
4. Кран входа холодной воды*
5. Смеситель*
6. Душевая насадка*
7. Отсечной кран водопроводной магистрали*
8. Отверстие для сброса давления
9. Водопроводная магистраль
10. Ванна*
11. Тройник*
12. Выходной патрубок
13. Входной патрубок

Монтаж водонагревателя



ПРИМЕЧАНИЕ!

Пожалуйста, для установки водонагревателя используйте принадлежности, предоставленные производителем. Электрический водонагреватель нельзя крепить на стене до того, как вы убедитесь, что кронштейн установлен надёжно и прочно. В противном случае электрический водонагреватель может упасть со стены, что может привести к его повреждению и даже к серьёзным происшествиям с причинением вреда здоровью и получением травм. При определении точек для отверстий под анкерные болты следует предусмотреть свободное пространство между нижней частью водонагревателя и полом не менее 0,6 м, для обеспечения удобства технического обслуживания при необходимости его проведения

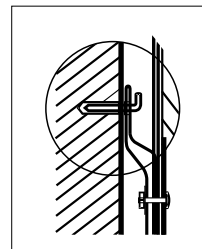


Рис. 7

1. Электрический водонагреватель следует устанавливать на прочной стене. Если прочность стены не позволяет удерживать вес, равный двойному весу общего веса водонагревателя, полностью заполненного водой, его следует устанавливать на специальной опоре.
2. После того, как вы выбрали правильное место установки водонагревателя, определите точки для отверстий под анкерные болты с крюками (определяются в соответствии со спецификацией прибора,

который вы выбрали). Просверлите в стене два отверстия соответствующей глубины с использованием сверла, подходящего по размеру под анкерные болты, прилагаемые к водонагревателю.

После чего вставьте болты в просверленные отверстия и, поворачивая крюки болтов по часовой стрелке, плотно затяните гайки болтов, затем повесьте водонагреватель на крюки анкерных болтов (рис. 7).

3. Прикрепите сетевую розетку к стене. Требования к розетке следующие: 220V/10A, однофазная, трёхпроводная. Рекомендуется установить розетку с правой стороны выше водонагревателя.



ПРИМЕЧАНИЕ:

В местах или на стене, куда может попасть вода, высота установки электрической розетки должна быть не менее 1,8 м.

Подключение к водопроводной магистрали

1. Нагреватель подключается к водопроводной сети с давлением минимум 0,1 МПа, максимум 0,75 МПа



ПРИМЕЧАНИЕ!

Водонагреватель является прибором, действующим таким образом, что давление воды в водонагревателе, соответствует давлению воды в водопроводной магистрали. Если в магистрали давление превышает 0,7 МПа, то следует смонтировать перед водонагревателем редуктор давления, чтобы давление не превышало 0,7 МПа.

2. Для подключения водонагревателя к водопроводу применяются трубы диаметром G1/2.

3. Для предотвращения протечки при подсоединении труб используйте резиновые уплотнительные прокладки на резьбовых окончаниях труб.

4. На входной патрубок обозначенный голубым цветом и стрелкой направления течения воды накрутите предохранительный клапан так,

чтобы течение воды совпадало с направлением стрелки на корпусе клапана. На отверстие сброса давления предохранительного клапана (см. рис.9) оденьте дренажную трубку для отвода воды (возможно появление при нагревании) в канализацию.



ПРИМЕЧАНИЕ:

Между предохранительным клапаном и входным патрубком нельзя монтировать дополнительные приспособления, например, отсечной кран.

5. Нагреватель со смонтированным клапаном подключить к водопроводной сети - в месте подведения воды установить отсечной кран.

6. К выходному патрубку, обозначенному красным цветом, подсоединить желаемое количество точек потребления.

7. Открыть отсечной кран и один из разборных кранов. После наполнения резервуара, о чем свидетельствует вытекание воды из разборного крана, закрыть разборный кран и проверить герметичность всех соединений.



ВНИМАНИЕ!

Если вода в месте установки содержит большое количество солей кальция, марганца или железа, то необходимо в подводящей системе смонтировать соответствующий фильтр для снижения количества накипи в резервуаре и на нагревательном элементе.



ВНИМАНИЕ!

Перед подключением накопительного водонагревателя убедитесь в том, что водонагреватель заземлен надлежащим образом. Правильное заземление важно для минимизации ударов током и опасности возгорания. Шнур питания оснащён вилкой, с контактом заземления. Устройство должно использоваться с правильно заземленной сетевой розеткой. Если розетка, которую Вы планируете использовать, не заземлена соответствующим образом или защищена предохранителем с задержкой на срабатывание или прерывателем цепи, свяжитесь с квалифицированным электриком для установки правильной розетки.

1. Водонагреватель рассчитан на подключение к электрической сети с однофазным напряжением 220 В. Перед подключением убедитесь, что параметры электросети в месте подключения соответствуют параметрам, указанным на маркировочной табличке с техническими данными прибора. При установке водонагревателя следует соблюдать действующие правила электробезопасности.

2. Электрическая розетка должна быть рассчитана на номинальный ток не ниже 10А, электрический кабель с жилой сечением не менее 3х1,5 мм² (для меди).

Электрические розетка и вилка должны всегда оставаться сухими во избежание утечки электрического тока. Регулярно проверяйте, что электрическая вилка плотно подключена к розетке. Проверку проводите в следующем порядке: вставьте электрическую вилку в розетку, через полчаса работы выключите водонагреватель и выньте вилку из розетки, проверьте рукой, не нагрелась ли вилка. Если вилка нагрелась до температуры выше 50°C, во избежание повреждений, происшествий, возникновения пожара в результате плохого электрического контакта замените розетку на другую. Это должен делать специалист.



ВНИМАНИЕ!

Для обеспечения надежной работы и безопасной эксплуатации водонагревателя перед первым включением проверьте правильность его подключения к электрической сети переменного тока 220 В. Подключаемый водонагреватель должен быть надежно соединен с заземляющим контуром вашей электрической сети. Использование водонагревателя без заземления опасно для жизни.

8. ЭКСПЛУАТАЦИЯ ВОДОНАГРЕВАТЕЛЯ

1. Сначала откройте один из разборных кранов на выходе из водонагревателя, затем откройте впускной кран. Электрический водонагреватель начнёт заполняться водой. Когда из разборного крана свободно вытекает вода, это означает, что водонагреватель полностью заполнился водой и разборный кран можно закрыть.



ВНИМАНИЕ!

Во время обычной работы кран входа холодной воды должен быть открыт.

2. Вставьте электрическую вилку в розетку.




ВНИМАНИЕ!

Электрическая розетка должна быть рассчитана на номинальный ток не ниже 10А, электрический кабель с жилой сечением не менее 3х1,5 мм² (для меди).

3. Поверните ручку термостата (см. рис. 4,5) по часовой стрелке и установите желаемую температуру нагрева воды. Температуру нагрева воды можно установить в диапазоне от $+35^{\circ}\text{C}$ ($\pm 5^{\circ}\text{C}$) (положение ручки термостата «MIN») до $+70^{\circ}\text{C}$ ($\pm 5^{\circ}\text{C}$) (крайнее правое положение ручки термостата «MAX»).

Для уменьшения температуры нагрева воды поверните ручку термостата против часовой стрелки.

4. Термостат водонагревателя автоматически поддерживает температуру воды. Когда температура воды внутри водонагревателя достигает установленной, нагрев автоматически отключается, при этом гаснет индикаторная лампочка в нижней части прибора, а температура воды поддерживается за счет теплоизоляции. При падении температуры воды ниже установленной, нагрев автоматически включается и загорается индикаторная лампочка.

5. Для выключения водонагревателя поверните ручку термостата в крайнее левое положение «» и выньте вилку из розетки или отключите прибор от электропитания.



ВНИМАНИЕ!

Во время нагрева может начать капать вода из отверстия предохранительного клапана. **ИЗБЕЖАТЬ ПОДТЕКАНИЯ ВОДЫ НЕВОЗМОЖНО И НЕЛЬЗЯ ПРЕПЯТСТВОВАТЬ ЭТОМУ, ТАК КАК БЛОКИРОВКА КЛАПАНА МОЖЕТ ПРИВЕСТИ К РАЗРЫВУ ВНУТРЕННЕГО РЕЗЕРВУАРА (В СЛУЧАЕ АВАРИИ ОБОРУДОВАНИЯ).**



ВНИМАНИЕ!

Позиция «COMFORT» на панели управления соответствует оптимальной температуре нагрева воды $58 \pm 20^{\circ}\text{C}$, при которой:

1. Уменьшается риск получения ожогов у пользователя, в случае, когда не правильно отрегулирована температура воды на выходе.
2. Получается достаточное количество горячей воды после смешивания с холодной водой, при меньшем расходе электроэнергии.
3. Образуется меньшее количество накипи на нагревательном элементе и внутренних поверхностях водонагревателя.

9. ОБСЛУЖИВАНИЕ

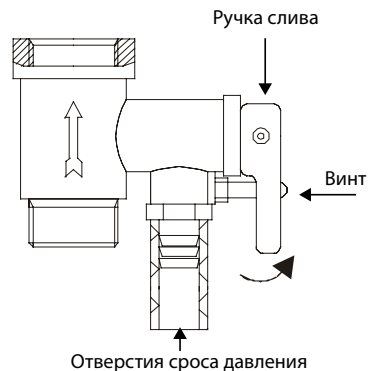


Рис. 8

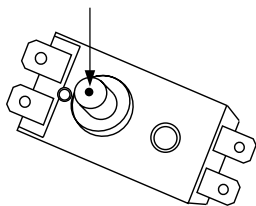


Рис. 9

1. Проверяйте электрические вилку и розетку как можно чаще. Должен быть обеспечен надёжный электрический контакт, а также правильное заземление. Вилка и розетка не должны чрезмерно нагреваться.

2. Если водонагреватель не используется продолжительное время, особенно в регионах с низкой температурой воздуха (ниже 0°C), для предотвращения повреждения водонагревателя (по причине замерзания воды во внутреннем резервуаре), воду из нагревателя следует слить.

3. Чтобы обеспечить надёжную работу водонагревателя в течение длительного времени, рекомендуется периодически чистить внутренний резервуар и убирать отложения на электрических нагревательных элементах водонагревателя, а также нужно периодически проверять состояние (полностью разложен или нет) магниевых анодов, чтобы своевременно заменить его на новый, в случае его полного разложения.

Частота чистки бака зависит от жесткости воды, которая находится на данной территории. Чистку должны проводить специальные сервисные службы. Адрес ближайшего сервисного центра можно узнать у продавца или на сайте www.timberk.com.



ВНИМАНИЕ!

Производитель предоставляет увеличенную гарантию на отдельные компоненты водонагревателя при условии своевременного и правильного проведения периодического технического обслуживания прибора специалистами авторизованного сервисного центра (см. гарантийный талон).

4. Профилактические работы должны производиться при строгом соблюдении инструкции по эксплуатации и техники безопасности.

5. Водонагреватель оснащен термовыключателем, который прекращает подачу электроэнергии к ТЭНу, при перегреве воды или её отсутствии в водонагревателе. Если водонагреватель включен в сеть, но не происходит нагрев воды, значит отключился или не был включен термовыключатель. Для возврата водонагревателя в рабочее состояние необходимо:

- отключить питание от электронагревателя, снять накладку боковой/нижней крышки.

- нажать до щелчка кнопку, расположенную по центру термовыключателя рис. 9;

- если кнопка не нажимается и нет щелчка, то подождать пока термовыключатель остынет до и исходной температуры.



ВНИМАНИЕ!

Если данные действия не дали положительного результата или отключение термовыключателя происходит неоднократно в течение короткого промежутка времени, то следует отключить питание водонагревателя, перекрыть подачу воды в водонагреватель и обратиться в Авторизованный Сервисный Центр Timberk в Вашем регионе для получения консультации или ремонта изделия.

6. Воду можно слить через комбинированный предохранительный клапан (рис.9) (для этого открутите винт ручки слива комбинированного предохранительного клапана и переведите ручку слива в верхнее положение, при это кран выхода горячей воды должен быть открыт, а кран подачи холодной воды в водонагреватель должен быть перекрыт).



ВНИМАНИЕ!

Никогда не сливайте воду, если её температура выше 50°C, т.к. это может привести к ожогам.

7. Помните о контрольных проверках исправности действия предохранительного клапана каждые 14 дней - способ проверки:

-перевести ручку слива в верхнее положение до ощущения перехода резьбы и тогда из отверстия клапана должна потечь вода. После проверки вытекания воды верните ручку в предыдущее положение.



ВНИМАНИЕ!

Если вода не потечет, то клапан испорчен. В этом случае нельзя пользоваться нагревателем и рекомендуется вызвать сервисного мастера.

8. Наружные поверхности нагревателя по мере необходимости протирать влажной тряпочкой с мылом.

10. УСТРАНЕНИЕ НЕИСПРАВНОСТЕЙ

Возможные неисправности и методы их устранения

Таблица 3

Проблема	Возможные причины	Способ устранения
Индикаторные лампочки не горят, вода не греется	1. Повреждение устройства регулирования температуры.	1. Обратиться к специалисту по ремонту, в сервисный центр Timberk.
	2. Сработало или не было включено устройство ограничения температуры.	2. Включите термовыключатель, следуя инструкции по его включению.
	3. Повреждение устройства ограничения температуры.	3. Обратиться к специалисту по ремонту, в сервисный центр Timberk.
Из крана выходы горячей воды не течет вода	1. Отключена подача воды.	1. Подождать восстановления подачи воды.
	2. Слишком низкое давление воды.	2. Включить водонагреватель снова, когда восстановится нормальное давление воды.
	3. Закрыт кран подачи холодной воды.	3. Открыть кран подачи холодной воды.
Температура воды слишком высокая	Повреждение системы контроля температуры воды.	Обратиться к специалисту по ремонту, в сервисный центр Timberk.

Проблема	Возможные причины	Способ устранения
Протечка воды	Нарушено уплотнение в месте подключения труб.	Заменить уплотнение соединения.
Вода течет из корпуса прибора	1. Разрушение внутреннего бака (коррозия)	Обратиться к специалисту по ремонту, в сервисный центр Timberk.
	2. Нарушено уплотнение в месте присоединения нагревательного элемента	

11. ЭЛЕКТРИЧЕСКАЯ ПРИНЦИПИАЛЬНАЯ СХЕМА

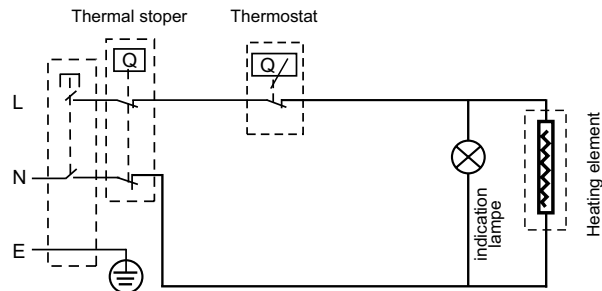


Рис. 10



ПРИМЕЧАНИЕ:

Производитель имеет право вносить в устройство любые изменения, улучшающие его технические и иные характеристики. Данные изменения могут быть внесены без предупреждения и предварительного уведомления потребителей.

Производитель не несет ответственности за изменение электросхемы изделия, которое может быть выполнено без уведомления потребителя.

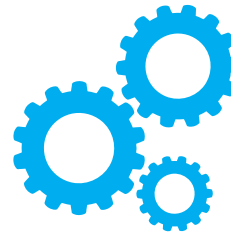
Накопительный водонагреватель не предназначен для бесконтрольного использования детьми, пожилыми или недееспособными людьми. Эксплуатируйте водонагреватель бережно, не переключайте резко режимы и не включайте/выключайте быстро функции, строго следуйте рекомендациям, изложенным в данной инструкции по эксплуатации. Дети, находящиеся вблизи водонагревателя, должны быть под наблюдением взрослых, и ни в коем случае не использовать прибор, как элемент игры.

12. УСЛОВИЯ ТРАНСПОРТИРОВКИ И ХРАНЕНИЯ

Температурные требования*	Транспортировка и хранение	От -30° до +50°
Требования к влажности*		От 15% до 85% (нет конденсата)

Мы изучаем новые технологии и постоянно улучшаем качество нашей продукции. Технические характеристики, конструкция и комплектация могут быть изменены без предварительного уведомления.

* Продукция должна храниться в сухих, проветриваемых складских помещениях при температуре не ниже -30°



www.btpart.ru

Все расходные материалы для
продукции Timberk вы можете
приобрести на сайте www.btpart.ru

Уважаемый покупатель!

Timberk предоставляет вам специальный сервис в рамках программы клиентской поддержки. Теперь вы всегда сможете заказать и оформить доставку на запасные части и расходные материалы, необходимые для оптимальной, качественной работы техники Timberk в течение всего срока службы на едином портале www.btpart.ru.

Всю информацию о работе портала вы также всегда сможете увидеть на сайте www.timberk.com. Мы искренне надеемся, что этот уникальный дополнительный сервис поможет вам сделать жизнь с Timberk еще удобнее!



RU

**Руководство по эксплуатации
техники Timberk написано
на английском языке и
переведено на русский язык.**



BY

В целях информирования покупателей техники Timberk, мы дополнительно сообщаем, что русский является государственным языком в следующих государствах:

- в Российской Федерации
- в Республике Беларусь наряду с белорусским языком
- в частично признанной Южной Осетии наряду с осетинским языком



OS



KZ

Русский язык является официальным языком (во всех случаях другой язык или другие языки выступают как государственный или второй официальный) в следующих государствах и на территориях:



AK



KG

- в Республике Казахстан
- в Киргизской Республике
- в административных единицах Украины, где доля носителей русского языка составляет более 10%, при соответствующем решении местных советов
- в Автономной Республике Крым



UA



TJ

В Республике Таджикистан русский язык признан по Конституции языком межнационального общения.



CIS

Официальным языком международной организации Содружество Независимых Государств (СНГ) является русский язык.



Если вы заметили ошибку в инструкции, пожалуйста, сообщите нам об этом, связавшись с нами по электронной почте, указанной на сайте www.timberk.com

If you found any mistake in this manual please let us know by email listed on www.timberk.com

timberk
P R O F E S S I O N A L

www.timberk.com

EAC