

CUSTOM HEADSET GEAR

Connection Cable with Gooseneck Microphone



CUSTOM HEADSET GEAR connection cable with gooseneck microphone



CUSTOM ONE PRO headphone with CUSTOM HEADSET GEAR connection cable

FEATURES

- Detachable single-sided connection cable with condenser gooseneck microphone
- Turns the CUSTOM ONE PRO headphone into a professional headset
- Perfect for gaming, multimedia and Voice over IP (VoIP)

APPLICATIONS

Within few seconds the CUSTOM HEADSET GEAR connection cable turns the CUSTOM ONE PRO headphone into a professional headset for multimedia, gaming and Voice over IP applications. The detachable 2.5 m long connection cable is single-sided and equipped with a gooseneck microphone. To connect the microphone and headphone the cable has gold plated mini jack plugs which are appropriately labelled. For the headphone connector a 1/4" adapter is included. Due to the cardioid polar pattern the gooseneck microphone features a high gain before feedback.

TECHNICAL SPECIFICATIONS

Cable length and type 2.5 m, straight cable
Connection Mini stereo jack plug (3.5 mm)
1/4" adapter (6.35 mm)

Microphone

Transducer type Condenser (back electret)
Operating principle Pressure gradient
Frequency response 20 - 20.000 Hz
Polar pattern Cardioid
Open circuit voltage
at 1 kHz (0 dB = 1 V/Pa) 3.2 mV/Pa = -50 dBV ± 3 dB
Nominal impedance approx. 2.2 kΩ
Max. SPL at 1 kHz 117 dB
Supply voltage 1.5 - 9 V
Connection Mini stereo jack plug (3.5 mm)
Ring + tip: signal
Sleeve: ground
Dimensions (L x W x H) 130 x 10 x 10 mm
Weight approx. 6 g

VERSIONS

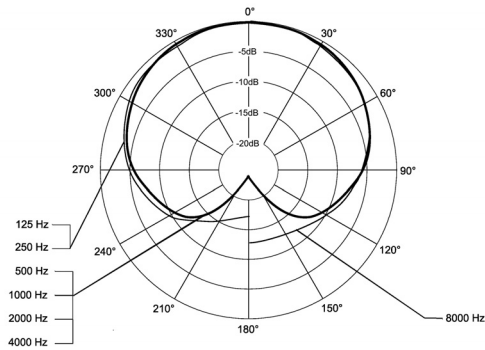
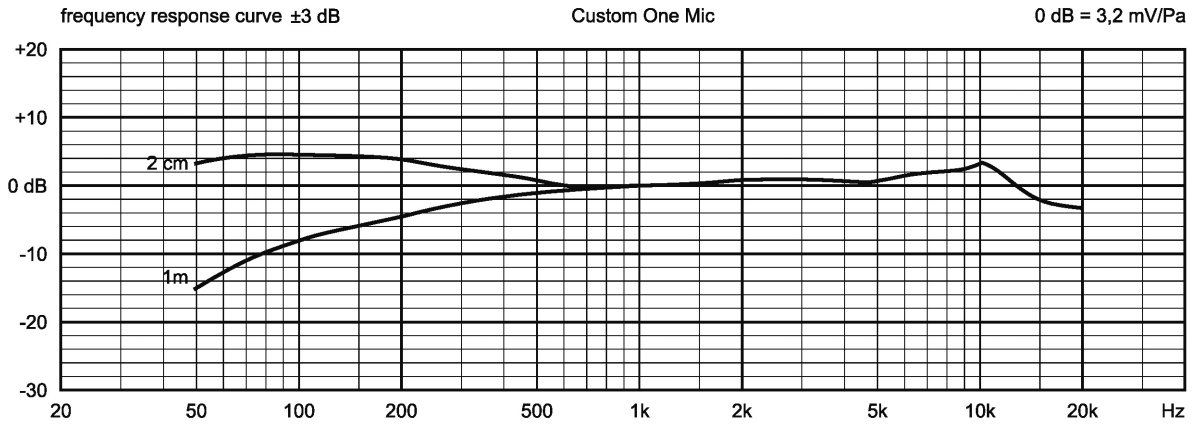
Custom Headset Gear

Connection cable with cardioid gooseneck microphone, plug-in type and lockable, 2.5 m long, black, 2 x mini stereo jack plugs (3.5 mm) and 1 x 1/4" adapter (6.35 mm) Order # 709.190

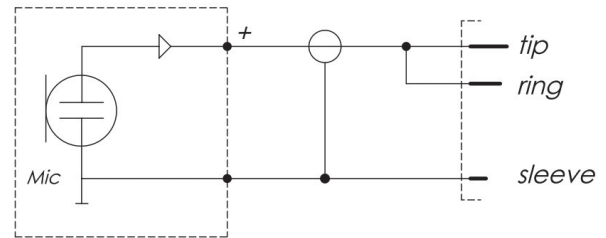
CUSTOM HEADSET GEAR

FREQUENCY RESPONSE & POLAR PATTERN

This polar pattern and frequency response curve (± 3 dB) correspond to a typical production sample for this microphone.



WIRING DIAGRAM

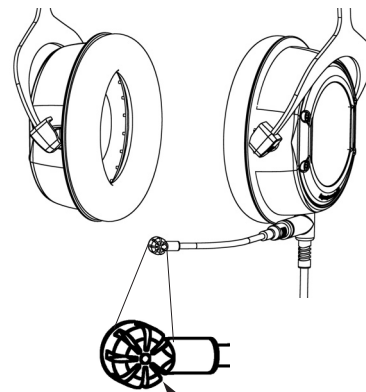


OPERATING INSTRUCTIONS

- Remove the pop shield from the microphone.
- Connect the cable to the CUSTOM ONE PRO headphone.
- Connect the microphone to the jack socket of the cable and adjust the microphone as shown in the illustration.
- Please note that the slotted side is the rear of the microphone. Make sure that it points away from the mouth. Refer to the arrow.
- Put the pop shield over the microphone again.

Warning:

In order to avoid overstretching and premature wear and tear never bend the gooseneck more than 90°.



Rear of the microphone.