

SRV532X-3

contemporary

30CM Domino Gas Hob,
St/steel

EAN13: 8017709111205

2 burners

Rear: ultra rapid burner

3.3 kW

Front: 1.0 kW

St/steel base

St/steel knobs

St/steel pan stand

St/steel burner caps

Automatic electronic ignition

Safety valves

Adaptable for LPG



Options

- **LG53-1** - Connecting strip

Versions

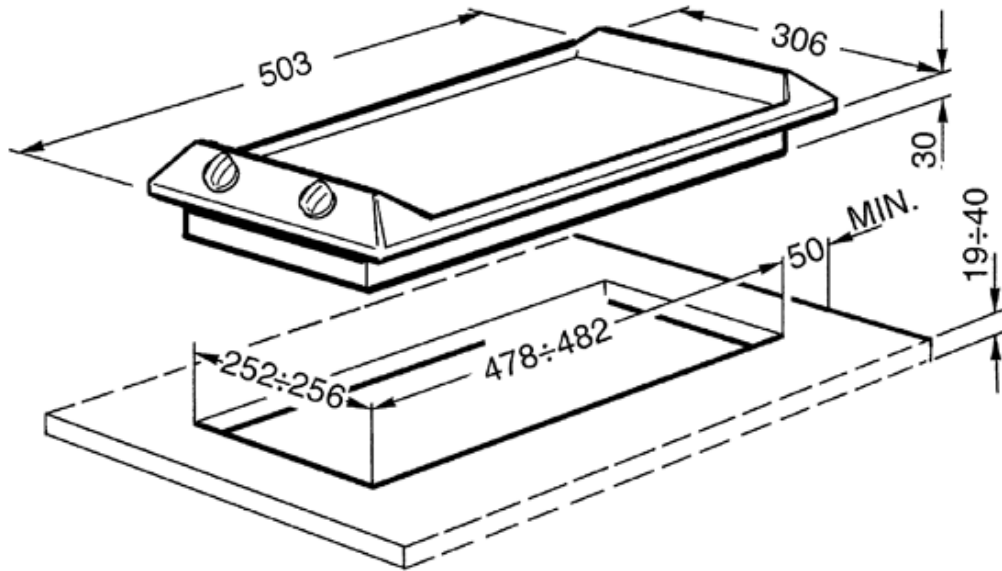
- **SRV532GH3** - Cast iron pan stand



SRV532X-3

contemporary

gas
30 cm
stainless steel
front controls



SMEG S.p.A.
Via Leonardo da Vinci, 4
42016 Guastalla (RE)
Tel. 0522 821 1