

# Instructions for use

Washer-dryer

GB

**GB**

English,1

**ES**

Español,13

**HU**

Magyar,25

**BG**

Български,37

**CIS**

Русский,49


**UA**

Українська,61

**KZ**

ҚАЗАҚША,73

**XWDA 751680**

!  This symbol reminds you to read this instruction manual.

## Contents

### Installation, 2-3

Unpacking and levelling  
Connecting the electricity and water supplies  
The first wash cycle  
Technical data

### Care and maintenance, 4

Cutting off the water or electricity supply  
Cleaning the Washer-dryer  
Cleaning the detergent dispenser drawer  
Caring for the door and drum of your appliance  
Cleaning the pump  
Checking the water inlet hose

### Precautions and tips, 5

General safety  
Load balancing system  
Disposal

### Description of the Washer-dryer and starting a wash cycle, 6-7

Control panel  
Indicator lights  
Starting a wash cycle

### Wash cycles, 8

Push&Wash+Dry  
Table of wash cycles

### Personalisation, 9

Setting the temperature  
Setting the drying cycle  
Wash options

### Detergents and laundry, 10

Detergent dispenser drawer  
Bleach cycle  
Preparing the laundry  
Garments requiring special care

### Troubleshooting, 11

### Service, 12

 **INDESIT**

# Installation

GB

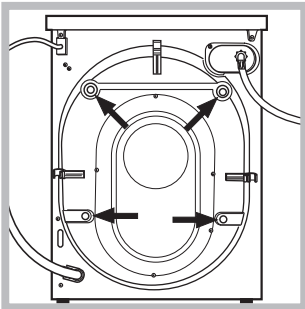
! This instruction manual should be kept in a safe place for future reference. If the Washer-dryer is sold, transferred or moved, make sure that the instruction manual remains with the machine so that the new owner is able to familiarise himself/herself with its operation and features.

! Read these instructions carefully: they contain vital information relating to the safe installation and operation of the appliance.

## Unpacking and levelling

### Unpacking

1. Remove the Washer-dryer from its packaging.  
2. Make sure that the Washer-dryer has not been damaged during the transportation process. If it has been damaged, contact the retailer and do not proceed any further with the installation process.



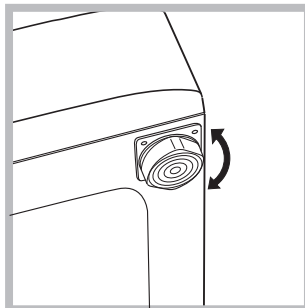
3. Remove the 4 protective screws (used during transportation) and the rubber washer with the corresponding spacer, located on the rear part of the appliance (see figure).

4. Close off the holes using the plastic plugs provided.  
5. Keep all the parts in a safe place: you will need them again if the Washer-dryer needs to be moved to another location.

! Packaging materials should not be used as toys for children.

### Levelling

1. Install the Washer-dryer on a flat sturdy floor, without resting it up against walls, furniture cabinets or anything else.

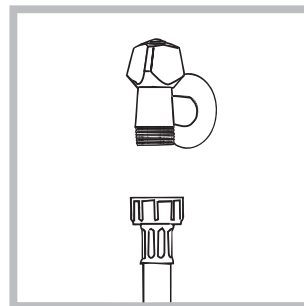


2. If the floor is not perfectly level, compensate for any unevenness by tightening or loosening the adjustable front feet (see figure); the angle of inclination, measured in relation to the worktop, must not exceed 2°.

Levelling the machine correctly will provide it with stability, help to avoid vibrations and excessive noise and prevent it from shifting while it is operating. If it is placed on carpet or a rug, adjust the feet in such a way as to allow a sufficient ventilation space underneath the Washer-dryer.

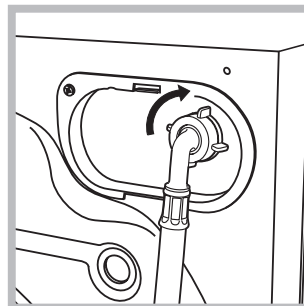
## Connecting the electricity and water supplies

### Connecting the water inlet hose



1. Connect the inlet hose by screwing it to a cold water tap using a 3/4 gas threaded connection (see figure).

Before performing the connection, allow the water to run freely until it is perfectly clear.



2. Connect the inlet hose to the Washer-dryer by screwing it onto the corresponding water inlet of the appliance, which is situated on the top right-hand side of the rear part of the appliance (see figure).

3. Make sure that the hose is not folded over or bent.

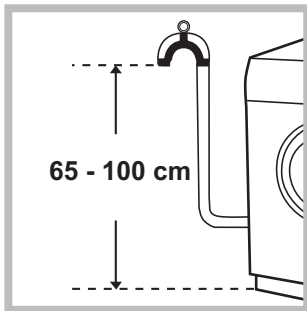
! The water pressure at the tap must fall within the range of values indicated in the Technical data table (see next page).

! If the inlet hose is not long enough, contact a specialised shop or an authorised technician.

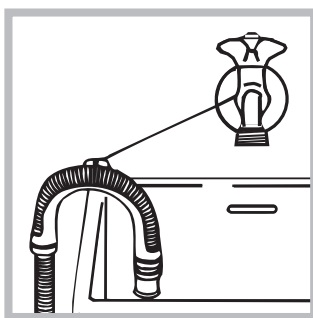
! Never use second-hand hoses.

! Use the ones supplied with the machine.

## Connecting the drain hose



Connect the drain hose, without bending it, to a drain duct or a wall drain situated between 65 and 100 cm from the floor;



alternatively, placed it over the edge of a basin, sink or tub, fastening the duct supplied to the tap (see *figure*). The free end of the hose should not be underwater.

! We advise against the use of hose extensions; if it is absolutely necessary, the extension must have the same diameter as the original hose and must not exceed 150 cm in length.

## Electrical connections

Before plugging the appliance into the electricity socket, make sure that:

- the socket is earthed and complies with all applicable laws;
- the socket is able to withstand the maximum power load of the appliance as indicated in the Technical data table (see *opposite*);
- the power supply voltage falls within the values indicated in the Technical data table (see *opposite*);
- the socket is compatible with the plug of the Washer-dryer. If this is not the case, replace the socket or the plug.

! The Washer-dryer must not be installed outdoors, even in covered areas. It is extremely dangerous to leave the appliance exposed to rain, storms and other weather conditions.

! When the Washer-dryer has been installed, the electricity socket must remain within easy reach.

! Do not use extension cords or multiple sockets.

! The cable should not be bent or compressed.



! The power supply cable must only be replaced by authorised technicians.

Warning! The company shall not be held responsible in the event that these standards are not observed.

## The first wash cycle

Once the appliance has been installed, and before you use it for the first time, run a wash cycle with detergent and no laundry, using the wash cycle “Auto Clean” (see “Cleaning the Washer-dryer”).

### Technical data

<b>Model</b>	XWDA 751680
<b>Dimensions</b>	width 59.5 cm height 85 cm depth 54 cm
<b>Capacity</b>	from 1 to 7 kg for wash programme from 1 to 5 kg for the drying programme
<b>Electrical connections</b>	please refer to the technical data plate fixed to the machine
<b>Water connections</b>	maximum pressure 1 MPa (10 bar) minimum pressure 0.05 MPa (0.5 bar) drum capacity 52 litres
<b>Spin speed</b>	up to 1600 rotations per minute
<b>Energy rated programmes according to regulation EN 50229</b>	<b>wash:</b> programme 8; temperature 60°C; using a load of 7 kg. <b>drying:</b> the smaller load (2kg) must be dried by selecting the “☁” dryness level. The load must consist of 2 sheets, 1 pillowcase and 2 hand towels; the remainder of the load must be dried by selecting the “☀” dryness level.
 	This appliance conforms to the following EC Directives: - 2004/108/EC (Electromagnetic Compatibility) - 2006/95/EC (Low Voltage) - 2012/19/EU

# Care and maintenance

GB

## Cutting off the water and electricity supplies

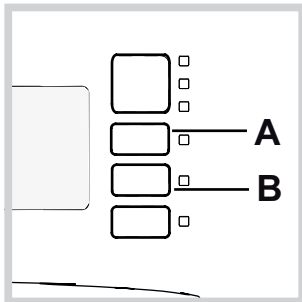
- Turn off the water tap after every wash cycle. This will limit wear on the hydraulic system inside the Washer-dryer and help to prevent leaks.
- Unplug the Washer-dryer when cleaning it and during all maintenance work.

## Cleaning the Washer-dryer

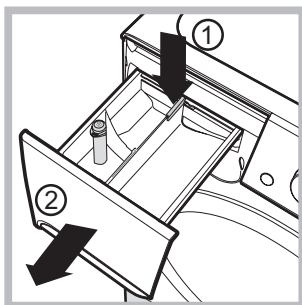
- The outer parts and rubber components of the appliance can be cleaned using a soft cloth soaked in lukewarm soapy water. Do not use solvents or abrasives.
- The Washer-dryer has a “Auto Clean” programme for its internal parts that **must be run with no load in the drum**.

For maximum performance you may want to use either the detergent (i.e. a quantity 10% the quantity specified for lightly-soiled garments) or special additives to clean the Washer-dryer. We recommend running a cleaning programme every 40 wash cycles.

To start the programme press buttons **A** and **B** simultaneously for 5 seconds (see figure). The programme will start automatically and will last approximately 70 minutes. To stop the cycle press the START/PAUSE button.



## Cleaning the detergent dispenser drawer



To remove the drawer, press lever (1) and pull the drawer outwards (2) (see figure). Wash it under running water; this procedure should be repeated frequently.

## Caring for the door and drum of your appliance

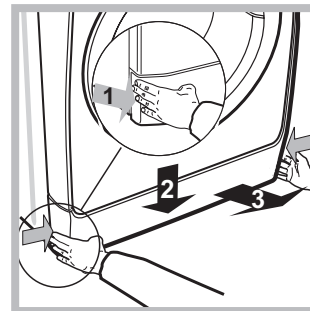
- Always leave the porthole door ajar in order to prevent unpleasant odours from forming.

## Cleaning the pump

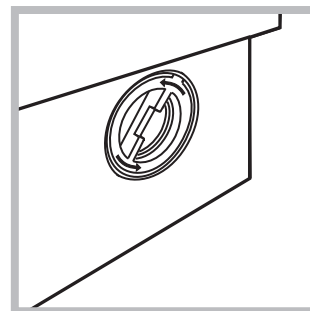
The Washer-dryer is fitted with a self-cleaning pump which does not require any maintenance. Sometimes, small items (such as coins or buttons) may fall into the protective pre-chamber at the base of the pump.

! Make sure the wash cycle has finished and unplug the appliance.

To access the pre-chamber:



1. Take off the cover panel on the front of the machine by first pressing it in the centre and then pushing downwards on both sides until you can remove it (see figures).



2. Unscrew the lid by rotating it anti-clockwise (see figure); a little water may trickle out. This is perfectly normal.

3. Clean the inside thoroughly.
4. Screw the lid back on.
5. Reposition the panel, making sure the hooks are securely in place before you push it onto the appliance.

## Checking the water inlet hose

Check the inlet hose at least once a year. If there are any cracks, it should be replaced immediately: during the wash cycles, water pressure is very strong and a cracked hose could easily split open.

! Never use second-hand hoses.

! This washer-dryer was designed and constructed in accordance with international safety regulations. The following information is provided for safety reasons and must therefore be read carefully.

## General safety

- This appliance was designed for domestic use only.
  - This appliance can be used by children aged from 8 years and above and persons with reduced physical, sensory or mental capabilities or lack of experience and knowledge if they have been given supervision or instruction concerning use of the appliance in a safe way and understand the hazards involved. Children shall not play with the appliance. Cleaning and user maintenance shall not be made by children without supervision.
    - Do not dry unwashed items in the tumble dryer.
    - Items that have been soiled with substances such as cooking oil, acetone, alcohol, petrol, kerosene, spot removers, turpentine, waxes and wax removers should be washed in hot water with an extra amount of detergent before being dried in the tumble dryer.
    - Items such as foam rubber (latex foam), shower caps, waterproof textiles, rubber backed articles and clothes or pillows fitted with foam rubber pads should not be dried in the tumble dryer.
    - Fabric softeners, or similar products, should be used as specified by the fabric softener instructions.
    - The final part of a tumble dryer cycle occurs without heat (cool down cycle) to ensure that the items are left at a temperature that ensures that the items will not be damaged.
- WARNING: Never stop a tumble dryer before the end of the drying cycle unless all items are quickly removed and spread out so that the heat is dissipated.
- Do not touch the machine when barefoot or with wet or damp hands or feet.
  - Do not pull on the power supply cable when unplugging the appliance from the electricity socket. Hold the plug and pull.
  - Do not open the detergent dispenser drawer while the machine is in operation.
  - Do not touch the drained water as it may reach extremely high temperatures.
  - Never force the porthole door. This could damage the safety lock mechanism designed to prevent accidental opening.
  - If the appliance breaks down, do not under any circumstances access the internal mechanisms in an attempt to repair it yourself.

- Always keep children well away from the appliance while it is operating.
- The door can become quite hot during the wash cycle.
- If the appliance has to be moved, work in a group of two or three people and handle it with the utmost care. Never try to do this alone, because the appliance is very heavy.
- Before loading laundry into the washer-dryer, make sure the drum is empty.
- During the drying phase, the door tends to get quite hot.
- Do not use the appliance to dry clothes that have been washed with flammable solvents (e.g. trichlorethylene).
- Do not use the appliance to dry foam rubber or similar elastomers.
- Make sure that the water tap is turned on during the drying cycles.
- Children of less than 3 years should be kept away from the appliance unless continuously supervised.
- Remove all objects from pockets such as lighters and matches.

## Load balancing system

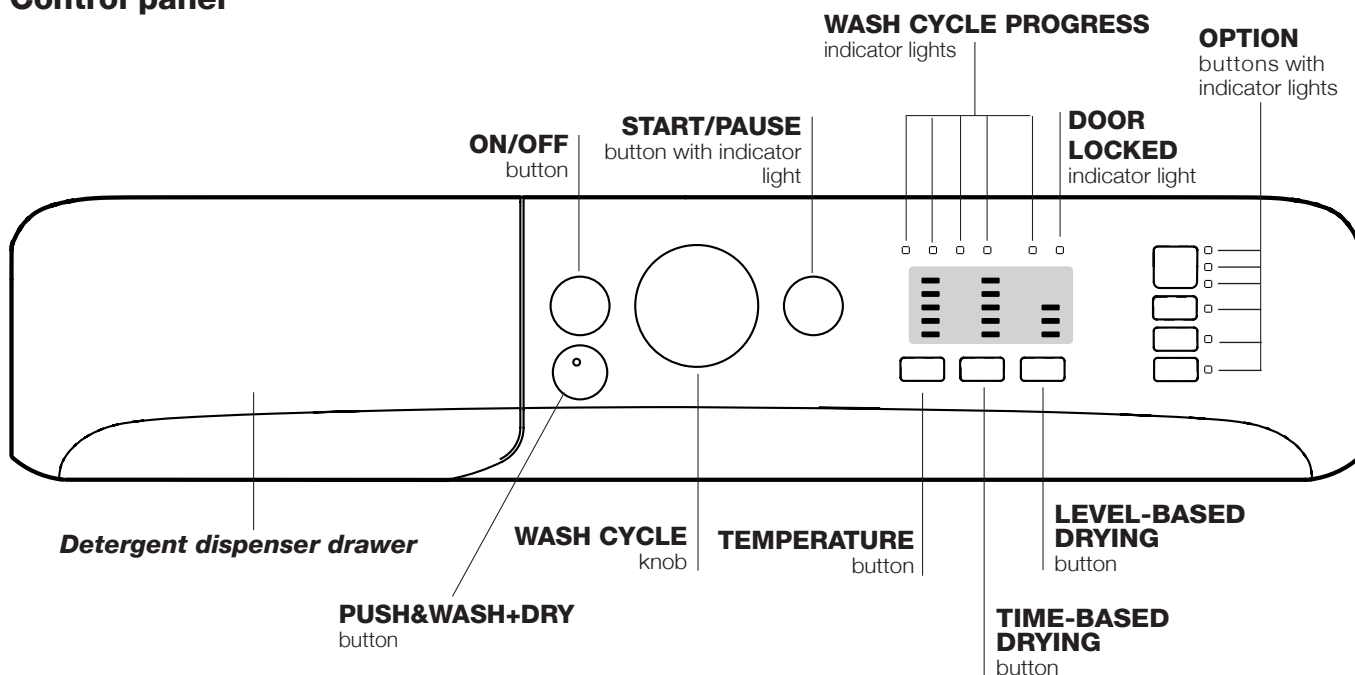
Before every spin cycle, to avoid excessive vibrations and to distribute the load in a uniform manner, the drum rotates continuously at a speed which is slightly greater than the washing rotation speed. If, after several attempts, the load is not balanced correctly, the machine spins at a reduced spin speed. If the load is excessively unbalanced, the Washer-dryer performs the distribution process instead of spinning. To encourage improved load distribution and balance, we recommend small and large garments are mixed in the load.

## Disposal

- Disposing of the packaging materials: observe local regulations so that the packaging may be re-used.
  - The European Directive 2012/19/EU on Waste Electrical and Electronic Equipment, requires that old household electrical appliances must not be disposed of in the normal unsorted municipal waste stream. Old appliances must be collected separately in order to optimise the recovery and recycling of the materials they contain and reduce the impact on human health and the environment. The crossed out “wheeled bin” symbol on the product reminds you of your obligation, that when you dispose of the appliance it must be separately collected.
- Consumers should contact their local authority or retailer for information concerning the correct disposal of their old appliance.

# Description of the Washer-dryer and starting a wash cycle

## Control panel



**Detergent dispenser drawer:** used to dispense detergents and washing additives (see “Detergents and laundry”).

**ON/OFF button:** switches the Washer-dryer on and off.

**PUSH&WASH+DRY button:** (see “Wash cycles”).

**WASH CYCLE knob:** programmes the wash cycles. During the wash cycle, the knob does not move.

**OPTION buttons with indicator light:** used to select the available functions. The indicator light corresponding to the selected function will remain lit.

**TEMPERATURE button:** sets the temperature or the cold wash cycle (see “Personalisation”).


**TIME-BASED DRYING button:** press to select the desired drying time. The selected drying time is shown by the indicator lights above.

**LEVEL-BASED DRYING button:** press to select the desired drying level. The selected drying level is shown by the indicator lights above.

**WASH CYCLE PROGRESS indicator lights:** used to monitor the progress of the wash cycle. The illuminated indicator light shows which phase is in progress.

**DOOR LOCKED indicator light:** indicates whether the door may be opened or not (see next page).

**START/PAUSE button with indicator light:** starts or temporarily interrupts the wash cycles.

**N.B.** To pause the wash cycle in progress, press this button; the corresponding indicator light will flash orange, while the indicator light for the current wash cycle phase will remain lit in a fixed manner. If the DOOR LOCKED  indicator light is switched off, the door may be opened (wait approximately 3 minutes).

To start the wash cycle from the point at which it was interrupted, press this button again.

### Standby mode

This Washer-dryer, in compliance with new energy saving regulations, is fitted with an automatic standby system which is enabled after about 30 minutes if no activity is detected. Press the ON-OFF button briefly and wait for the machine to start up again.

Consumption in off-mode: 0,5 W





Consumption in Left-on: 8 W

## Indicator lights

The indicator lights provide important information. This is what they can tell you:

### Wash cycle phase indicator lights

Once the desired wash cycle has been selected and has begun, the indicator lights switch on one by one to indicate which phase of the cycle is currently in progress.

Wash	
Rinse	
Spin/Drain	
Drying	
End of wash cycle	<b>END</b>

### Function buttons and corresponding indicator lights

When a function is selected, the corresponding indicator light will illuminate.

If the selected function is not compatible with the programmed wash cycle, the corresponding indicator light will flash and the function will not be activated.

If the selected option is not compatible with another previously selected option, the indicator light will flash accompanied by a buzzer (3 beeps), and only the latter option will be activated; the indicator light corresponding to the activated option will turn on.

### Door locked indicator light

When the indicator light is on, the porthole door is locked to prevent it from being opened; make sure the indicator light is off before opening the door (wait approximately 3 minutes).

To open the door during a running wash cycle, press the START/PAUSE button; the door may be opened once the DOOR LOCKED indicator light turns off.


## Starting a wash cycle

### Rapid programming

- LOAD THE LAUNDRY.** Open the porthole door. Load the laundry, making sure you do not exceed the maximum load value indicated in the table of programmes and wash cycles on the following page.
- ADD THE DETERGENT.** Pull out the detergent dispenser drawer and pour the detergent into the relevant compartments as described in *"Detergents and laundry"*.
- CLOSE THE DOOR.**
- Press the "Push&Wash+Dry" button to start the programme.

### Traditional programming


- Turn the Washer-dryer on by pressing the ON/OFF button. All the indicator lights will turn on for a few seconds, then only the indicator lights relative to the selected programme settings will remain lit and the START/PAUSE indicator light will flash.

- Load the laundry and close the door.
- Set the WASH CYCLE knob to the desired programme.
- Set the washing temperature (see *"Personalisation"*).
- Set the drying cycle if necessary (see *"Personalisation"*).
- Measure out the detergent and washing additives (see *"Detergents and laundry"*).
- Select the desired functions.
- Start the wash cycle by pressing the START/PAUSE button and the corresponding indicator light will remain lit in a fixed manner in green. To cancel the set wash cycle, pause the machine by pressing the START/PAUSE button and select a new cycle.
- At the end of the wash cycle the **END** indicator light will switch on. The door can be opened once the DOOR LOCK  indicator light turns off (wait approximately 3 minutes). Take out your laundry and leave the appliance door ajar to make sure the drum dries completely. Switch the Washer-dryer off by pressing the ON/OFF button.

# Wash cycles

GB



## Push&Wash+Dry

This function makes it possible to start an automatic wash and drying cycle either when the machine is off without having to press the ON/OFF button in advance, or after switching on the machine without having activated any button and/or selector (otherwise the Push&Wash+Dry function will be deactivated). To start the Push&Wash+Dry cycle press and hold the button for 2 seconds. The indicator lights up to show that the cycle has started. The wash and drying cycle is ideal for cotton or synthetic fabrics, as it washes them at a temperature of 30° and a maximum spin speed of 1000 rpm. During the drying cycle the maximum temperature is 60°C. At the end of the cycle the residual humidity will be the same as for the “” level. Max recommended load 2,5 kg. (Cycle duration 210’).

### How does it work?

1. Load the laundry (cotton and/or synthetic garments) and close the door.
2. Pour the detergent and/or additives.
3. Start the cycle by pressing and holding the Push&Wash+Dry button for 2 seconds. The relevant indicator light will turn green and the door will lock (the DOOR LOCKED symbol is lit).




NB: starting the cycle through the Push&Wash+Dry button activates an automatic non-customisable wash and drying cycle recommended for cotton and synthetic fabrics.

4. The automatic cycle can be used only for washing, excluding the drying phase. Press the Push&Wash+Dry button and then the drying button : the drying icon of the “” level will switch off. Maximum load for washing-only is 3,5 kg (Cycle duration 50’). The cycle cannot be customised further.

To open the door while an automatic cycle is under way, press the START/PAUSE button. If the DOOR LOCKED symbol is off, the door may be opened only during the washing phase. Press the START/PAUSE button again to restart the wash cycle from the point at which it was interrupted.

5. Once the programme is finished, the END indicator light turns on.

## Table of wash cycles

Wash cycles	Description of the wash cycle	Max. temp. (°C)	Max. speed (rpm)	Drying	Maximum load for drying (kg)	Detergents				Maximum load for washing (Kg)	Duration of wash cycle
						Prewash	Wash	Fabric softener	Bleach		
<b>Special</b>											
1	<b>Sport</b>	30°	600	●	3	-	●	●	-	3,5	55'
2	<b>Dark</b>	30°	800	●	2,5	-	●	●	-	4	70'
3	<b>Anti-odour (Cotton)</b>	60°	1000	●	3,5	-	●	●	-	3,5	110'
3	<b>Anti-odour (Synthetic)</b>	40°	1000	●	3	-	●	●	-	3,5	100'
4	<b>Delicate</b>	30°	0	●	1	-	●	●	-	1	80'
5	<b>Wool:</b> for wool, cashmere, etc.	40°	800	●	1,5	-	●	●	-	1,5	70'
6	<b>Rapid 30'</b>	30°	800	●	3	-	●	●	-	3	30'
<b>Standard</b>											
7	<b>Cottons with Pre-wash:</b> extremely soiled whites.	90°	1600	●	5	●	●	●	-	7	170'
8	 <b>Cotton Standard 60° (1):</b> heavily soiled whites and resistant colours.	60° (Max. 90°)	1600	●	5	-	●	●	-	7	170'
9	<b>Synthetic:</b> heavily soiled resistant colours.	60°	800	●	3	-	●	●	-	3,5	110'
10	<b>Coloured (2)</b>	40°	1600	●	5	-	●	●	-	7	100'
11	<b>Eco Cotton 20°:</b> lightly soiled whites and delicate colours.	20°	1600	●	5	-	●	●	-	7	170'
12	<b>Eco Synthetic</b>	20°	800	●	5	-	●	●	-	7	120'
<b>Automatic</b>											
13	<b>Wash&amp;Dry 45'</b>	30°	1600	●	1	-	●	●	-	1	45'
14	<b>AirFresh</b>	-	-	●	1,5	-	-	-	-	-	30'
<b>Partials</b>											
	Rinse/Bleach	-	1600	●	5	-	-	●	●	7	50'
	Spin + Drain	-	1600	●	5	-	-	-	-	7	10'

The length of cycle shown on the display or in this booklet is an estimation only and is calculated assuming standard working conditions. The actual duration can vary according to factors such as water temperature and pressure, the amount of detergent used, the amount and type of load inserted, load balancing and any wash options selected.

For all Test Institutes:

- 1) Test wash cycle in compliance with regulation EN 50229: select wash cycle 8 with a temperature of 60°C.
- 2) Long wash cycle for cottons: select wash cycle 10 with a temperature of 40.



## Setting the temperature

Press the TEMPERATURE button to set the wash temperature (see *Table of wash cycles*).

The temperature may be lowered, or even set to a cold wash ❄️. The Washer-dryer will automatically prevent you from selecting a temperature which is higher than the maximum value set for each wash cycle.

! Exception: if the 8 programme is selected, the temperature can be increased up to a value of 90°C.

## Setting the drying cycle

Two different types of drying are possible: **time-based** and **level-based**.

Press the TIME-BASED DRYING button ⏰ to set the desired drying duration: **40' - 90' - 120' - 150' - 180'**.

When the button is pressed for the first time, the selected time will be the minimum time allowed for the set cycle.

When the machine has started the drying phase, press the TIME-BASED DRYING button again to reduce the drying duration that was set previously. The indicator lights will show the new drying duration selected and the time remaining will consider the time that has elapsed.

Press the LEVEL-BASED DRYING button 🌞 to set the desired drying level:

**Cupboard** 📦: suitable for laundry which can be put back in a cupboard without being ironed.

**Hanger** 👔: ideal for clothes which do not need to be dried fully.

**Iron** 🧊: suitable for clothes which will need ironing afterwards. the remaining dampness softens creases, making them easier to remove.

If your laundry load to be washed and dried is much greater than the maximum stated load (see *adjacent table of wash cycles*), perform the wash cycle, and when the cycle is complete, divide the garments into groups and put some of them back in the drum. At this point, follow the instructions provided for a **"Drying only"** cycle. Repeat this procedure for the remainder of the load. A cooling-down period is always added to the end of each drying cycle.

**Note:** if all the drying indicator lights are off, the machine will **not** perform the drying cycle.

## Drying only

Press button 🧺 to perform the drying-only cycle. After selecting the desired cycle (compatible with the type of garments), press button 🧺 to exclude the washing phase and start the drying phase at the maximum level for the selected cycle. The drying level and duration can be set and changed by pressing the drying buttons 🌞, 🌞.

(Not compatible with cycles 13 and 14).

## Wash options

The various wash options available with this Washer-dryer will help to achieve the desired results, every time.

To activate the functions:

1. Press the button corresponding to the desired function;
2. the function is enabled when the corresponding indicator light is illuminated.

**Note:**

- If the selected function is not compatible with the programmed wash cycle, the corresponding indicator light will flash and the function will not be activated.
- - If the selected option is not compatible with another previously selected option, the indicator light will flash accompanied by a buzzer (3 beeps), and only the latter option will be activated; the indicator light corresponding to the activated option will turn on.

## 🧼 Stain removal

This option allows for selecting the type of dirt so as to optimally adjust the cycle for removing the stains. The following types of dirt can be selected:

- 🍴 **Food**, for stains caused by foodstuffs and beverages, for example.
- 🧑‍🔧 **Work**, for grease and ink stains, for example.
- 🏡 **Outdoor**, for mud and grass stains, for example.

! The wash cycle duration varies according to the type of selected dirt.



Press this button to reduce the spin speed.

## 🧺 Extra Rinse

By selecting this option, the efficiency of the rinse is increased and optimal detergent removal is guaranteed. It is particularly useful for sensitive skin.

**Table of drying times (guideline values)**

Fabric type	Load type	Max. load (kg)	Cupboard	Hanger	Iron
Cotton	Clothing of different sizes, Terry towels	5	250	210	190
Synthetic	Sheets, Shirts, Pyjamas, socks, etc.	3	180	130	115
Wool	Knitwear, Pullovers, etc.	1,5	155	135	115

# Detergents and laundry

GB

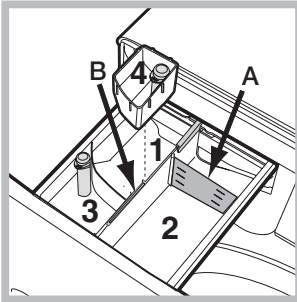
## Detergent dispenser drawer

Successful washing results also depend on the correct dose of detergent: adding too much detergent will not necessarily result in a more efficient wash, and may in fact cause build up on the inside of your appliance and contribute to environmental pollution.

! Do not use hand washing detergents because these create too much foam.

! Use powder detergent for white cotton garments, for pre-washing, and for washing at temperatures over 60°C.

! Follow the instructions given on the detergent packaging.



Open the detergent dispenser drawer and pour in the detergent or washing additive, as follows.

### Compartment 1: Pre-wash detergent (powder)

Before pouring in the detergent, make sure that extra compartment 4 has been removed.

### Compartment 2: Washing detergent (powder or liquid)

If liquid detergent is used, it is recommended that the removable plastic partition **A** (supplied) be used for proper dosage. If powder detergent is used, place the partition into slot **B**.


### Compartment 3: Additives (fabric softeners, etc.)

The fabric softener must not exceed the "max" level indicated on the central pin.

### Extra compartment 4: Bleach

#### Bleach cycle

Insert the additional compartment **4** (provided) into compartment **1**. In pouring the bleach do not exceed the "max" level indicated on the central pin.

Perform bleaching by pouring the bleach into additional compartment **4** and set the programme .

! Traditional bleach should be used on resistant white fabrics, and delicate bleach for coloured and synthetics fabrics and for wool.

## Preparing the laundry

- Divide the laundry according to:
  - the type of fabric/the symbol on the label
  - the colours: separate coloured garments from whites.
- Empty all garment pockets and check the buttons.
- Do not exceed the values listed in the "Table of wash cycles", which refer to the weight of the laundry when dry.

### How much does your laundry weigh?

- 1 sheet 400-500 g
- 1 pillow case 150-200 g
- 1 tablecloth 400-500 g
- 1 bathrobe 900-1.200 g
- 1 towel 150-250 g

## Garments requiring special care

**Sport** (programme **1**) is designed for washing lightly soiled sports clothing (tracksuits, shorts, etc.); for best results, we recommend not exceeding the maximum load indicated in the "Table of wash cycles". We recommend using liquid detergent, and adding the amount suitable for a half-load.

**Dark:** use programme **2** to wash dark-coloured garments. This programme is designed to maintain dark colours over time. We recommend using a liquid detergent for the best results when washing dark-coloured garments.

When you select the drying function, at the end of the washing cycle the machine will automatically perform a delicate drying cycle that preserves the colours of the garments. The display will show the level "☁".

Max. load: 2,5 kg.

**Anti-odour:** use programme **3** for washing garments with bad odours (e.g. smoke, sweat, fried food). The programme is designed to remove bad odours while preserving the fabric fibres. Synthetics fabrics or mixed loads should be washed at 40°, and resistant cotton fabrics at 60°.

**Delicate:** use programme **4** to wash very delicate garments. It is advisable to turn the garments inside out before washing them. For best results, use liquid detergent on delicate garments.

When selecting an exclusively time-based drying function, a drying cycle is performed at the end of the wash cycle that is particularly delicate, thanks to light handling and appropriate temperature control of the water jet.

The recommended durations are:

1 kg of synthetic garments --> 150 min

1 kg of synthetic and cotton garments --> 180 min

1 kg of cotton garments --> 180 min

The degree of dryness depends on the load and fabric composition.

**Wool:** the wool wash programme of this machine has been tested and approved by The Woolmark Company for the washing of wool containing garments labelled as "hand wash" provided that the garments are washed according to the instructions on the garment label and those issued by the manufacturer of this washer-dryer. (M1126)



In UK, Eire, Hong Kong and India the Woolmark trade mark is a Certification trade mark.

**Rapid 30'** (programme **6**) this programme is designed to wash lightly soiled garments at 30° (excluding wool and silk) with a 3 kg maximum load in a short time: it only lasts 30 minutes and allows for saving time and energy

**Coloured:** use this programme **10** to wash bright coloured clothes. The programme is designed to maintain bright colours over time.

**Eco Cotton 20°** (programme **11**) ideal for lightly soiled cotton loads. The effective performance levels achieved at cold temperatures, which are comparable to washing at 40°, are guaranteed by a mechanical action which operates at varying speed, with repeated and frequent peaks.

**Eco Synthetic** (programme **12**) ideal for mixed loads (cotton and synthetics) with a normal soil level. The effective performance levels achieved at cold temperatures are guaranteed by a mechanical action which operates at varying speed, across set average intervals.

**Wash&Dry 45'** select programme **13** for washing and drying lightly soiled garments (Cotton and Synthetic) in a short time. This cycle may be used to wash and dry a laundry load of up to 1 kg in just 45 minutes. To achieve optimum results, use liquid detergent and pre-treat cuffs, collars and stains.

**AirFresh** (programme **14**) ideal cycle to refresh garments and remove bad odours, in particular smoke, from cotton and synthetic items in 30' (max 1.5kg) without the washing phase.

Your Washer-dryer could fail to work. Before contacting the Technical Assistance Centre (see “Assistance”), make sure that the problem cannot be solved easily using the following list.

## Problem:

**The Washer-dryer does not switch on.**

**The wash cycle does not start.**

**The Washer-dryer does not take in water (the indicator light for the first wash cycle stage flashes rapidly).**

**The Washer-dryer continuously takes in and drains water.**

**The Washer-dryer does not drain or spin.**

**The Washer-dryer vibrates a lot during the spin cycle.**

**The Washer-dryer leaks.**

**The “Options” indicator lights and the “start/pause” indicator light flash, while one of the “phase in progress” indicator lights and the “door locked” indicator light will remain lit in a fixed manner.**

**There is too much foam.**

**Push&Wash+Dry does not activate.**

**The washer-dryer does not dry.**

## Possible causes / Solutions:

- The appliance is not plugged into the socket fully, or is not making contact.
  - There is no power in the house.
  - The Washer-dryer door is not closed properly.
  - The ON/OFF button has not been pressed.
  - The START/PAUSE button has not been pressed.
  - The water tap has not been opened.
  - The water inlet hose is not connected to the tap.
  - The hose is bent.
  - The water tap has not been opened.
  - There is no water supply in the house.
  - The pressure is too low.
  - The START/PAUSE button has not been pressed.
  - The drain hose is not fitted at a height between 65 and 100 cm from the floor (see “Installation”).
  - The free end of the hose is under water (see “Installation”).
  - The wall drainage system is not fitted with a breather pipe.
- If the problem persists even after these checks, turn off the water tap, switch the appliance off and contact the Assistance Service. If the dwelling is on one of the upper floors of a building, there may be problems relating to water drainage, causing the Washer-dryer to fill with water and drain continuously. Special anti-draining valves are available in shops and help to avoid this inconvenience.
- The wash cycle does not include draining: some wash cycles require the drain phase to be started manually.
  - The drain hose is bent (see “Installation”).
  - The drainage duct is clogged.
  - The drum was not unlocked correctly during installation (see “Installation”).
  - The Washer-dryer is not level (see “Installation”).
  - The Washer-dryer is trapped between cabinets and walls (see “Installation”).
  - The water inlet hose is not screwed on properly (see “Installation”).
  - The detergent dispenser drawer is blocked (for cleaning instructions, see “Care and maintenance”).
  - The drain hose is not fixed properly (see “Installation”).
- Switch off the machine and unplug it, wait for approximately 1 minute and then switch it back on again.  
If the problem persists, contact the Technical Assistance Service.
- The detergent is not suitable for machine washing (it should display the text “for Washer-dryers” or “hand and machine wash”, or the like).
  - Too much detergent was used.
  - After switching on the machine a control other than Push&Wash+Dry was activated. Switch the machine off and press the Push&Wash+Dry button.
  - The appliance is not plugged into the socket, or not enough to make contact.
  - There has been a power failure.
  - The appliance door is not shut properly.
  - All the drying indicator lights are off.

# Service

---

GB

## **Before calling for Assistance:**


- Check whether you can solve the problem alone (see “*Troubleshooting*”);
- Restart the programme to check whether the problem has been solved;
- If this is not the case, contact an authorised Technical Assistance Centre using the telephone number provided on the guarantee certificate.

! Always request the assistance of authorised technicians.

## **Have the following information to hand:**

- the type of problem;
- the appliance model (Mod.);
- the serial number (S/N).

This information can be found on the data plate applied to the rear of the Washer-dryer, and can also be found on the front of the appliance by opening the door.

!  Este símbolo te recuerda que debes leer este manual de instrucciones.

ES

ES

Español

**XWDA 751680**

## Sumario

### Instalación, 14-15

Desembalaje y nivelación  
Conexiones hidráulicas y eléctricas  
Primer ciclo de lavado  
Datos técnicos

### Mantenimiento y cuidados, 16

Interrumpir el agua y la corriente eléctrica  
Limpiar la lavasecadora  
Limpiar el cajón de detergentes  
Cuidar la puerta y el cesto  
Limpiar la bomba  
Controlar el tubo de alimentación de agua

### Precauciones y consejos, 17

Seguridad general  
Sistema de equilibrado de la carga  
Eliminaciones

### Descripción de la lavasecadora y comienzo de un programa, 18-19

Panel de control  
Pilotos  
Poner en marcha un programa

### Programas, 20

Push&Wash+Dry  
Tabla de programas

### Personalizaciones, 21

Seleccionar la temperatura  
Selecione el secado  
Opciones de lavado

### Detergentes y ropa, 22

Contenedor de detergentes  
Ciclo de blanqueo  
Preparar la ropa  
Prendas especiales

### Anomalías y soluciones, 23

### Asistencia, 24

# Instalación

ES

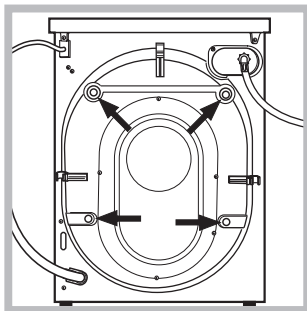
! Es importante conservar este manual para poder consultarlo en cualquier momento. En caso de venta, de cesión o de traslado, verifique que permanezca junto con la lavasecadora para informar al nuevo propietario sobre el funcionamiento y brindar las correspondientes advertencias.

! Lea atentamente las instrucciones: ellas contienen importante información sobre la instalación, el uso y la seguridad.

## Desembalaje y nivelación

### Desembalaje

1. Desembale la lavasecadora.
2. Controle que la lavasecadora no haya sufrido daños durante el transporte. Si estuviera dañada no la conecte y llame al revendedor.
3. Quite los 4 tornillos de protección para el transporte y la arandela de goma con el correspondiente distanciador ubicados en la parte posterior (ver la figura).

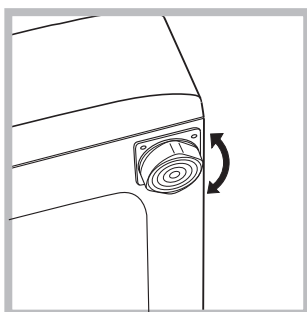


4. Cubra los orificios con los tapones de plástico suministrados con el aparato.
5. Conserve todas las piezas: cuando la lavasecadora deba ser transportada nuevamente, deberán volver a colocarse.

! Los embalajes no son juguetes para los niños.

### Nivelación

1. Instale la lavasecadora sobre un piso plano y rígido, sin apoyarla en las paredes, muebles ni en ningún otro aparato.

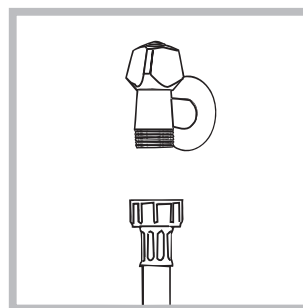


2. Si el piso no está perfectamente horizontal, compense las irregularidades desenroscando o enroscando las patas delanteras (ver la figura); el ángulo de inclinación medido sobre la superficie de trabajo, no debe superar los 2°. Una cuidadosa nive-

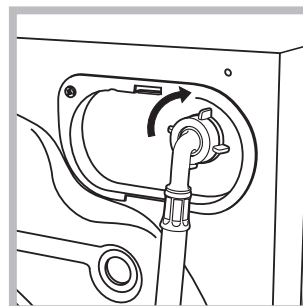
lación brinda estabilidad a la máquina y evita vibraciones, ruidos y desplazamientos durante el funcionamiento. Cuando se instala sobre moquetas o alfombras, regule los pies para conservar debajo de la lavasecadora un espacio suficiente para la ventilación.

## Conexiones hidráulicas y eléctricas

### Conexión del tubo de alimentación de agua



1. Conectar el tubo de tubo enroscándolo a un grifo de agua fría con la boca roscada de 3/4 gas (ver la figura). Antes de conectarlo, haga correr el agua hasta que esté limpia.



2. Conecte el tubo de alimentación a la lavasecadora enroscándolo en la toma de agua correspondiente ubicada en la parte posterior derecha (arriba) (ver la figura).

3. Controle que en el tubo no hayan pliegues ni estrangulaciones.

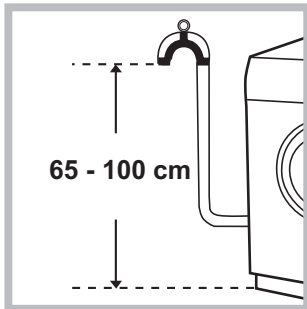
! La presión de agua del grifo debe estar comprendida dentro de los valores contenidos en la tabla de Datos técnicos (ver la página correspondiente).

! Si la longitud del tubo de alimentación no es la suficiente, diríjase a un negocio especializado o a un técnico autorizado.

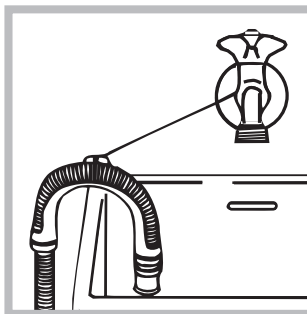
! No utilice nunca tubos ya usados.

! Utilice los suministrados con la máquina.

### Conexión del tubo de desagüe



Conecte el tubo de desagüe, sin plegarlo, a un conducto de desagüe o a una desagüe de pared ubicados a una distancia del piso comprendida entre 65 y 100 cm.;



o apóyelo en el borde de un lavamanos o de una bañera, uniendo la guía suministrada con el aparato, al grifo (ver la figura). El extremo libre del tubo de desagüe no debe permanecer sumergido en el agua.

! No se aconseja utilizar tubos de prolongación, si fuera indispensable hacerlo, la prolongación debe tener el mismo diámetro del tubo original y no superar los 150 cm.

### Conexión eléctrica

Antes de enchufar el aparato, verifique que:

- la toma tenga la conexión a tierra y haya sido hecha según las normas legales;
- la toma sea capaz de soportar la carga máxima de potencia de la máquina indicada en la tabla de Datos técnicos (ver al costado);
- la tensión de alimentación esté comprendida dentro de los valores indicados en la tabla de Datos técnicos (ver al costado);
- la toma sea compatible con el enchufe de la lavasecadora. Si no es así, sustituya la toma o el enchufe.

! La lavasecadora no debe ser instalada al aire libre, ni siquiera si el lugar está reparado, ya que es muy peligroso dejarla expuesta a la lluvia o a las tormentas.

! Una vez instalada la lavasecadora, la toma de corriente debe ser fácilmente accesible.

! No utilice prolongaciones ni conexiones múltiples.

! El cable no debe estar plegado ni sufrir compresiones.


! El cable de alimentación debe ser sustituido sólo por técnicos autorizados.

¡Atención! La empresa fabricante declina toda responsabilidad en caso de que estas normas no sean respetadas.

### Primer ciclo de lavado

Después de la instalación y antes del uso, realice un ciclo de lavado con detergente y sin ropa, seleccionando el programa "Auto Limpieza" (ver "Limpiar la lavasecadora").

#### Datos técnicos

<b>Modelo</b>	XWDA 751680
<b>Dimensiones</b>	ancho 59.5 cm altura 85 cm profundidad 54 cm
<b>Capacidad</b>	de 1 a 7 kg para el lavado de 1 a 5 kg para el secado
<b>Conexiones eléctricas</b>	ver la placa de características técnicas aplicada en la máquina
<b>Conexiones hídricas</b>	presión máxima 1 MPa (10 bar) presión mínima 0,05 MPa (0,5 bar) capacidad del cesto 52 litros
<b>Velocidad de centrifugado</b>	máxima 1600 r.p.m.
<b>Programas de prueba según la directiva EN 50229</b>	<b>lavado:</b> programa 8; temperatura 60°C; efectuado con 7 kg. de carga. <b>secado:</b> el secado de la carga menor (2kg) debe realizarse seleccionando el nivel de secado "☁", la carga de ropa se debe componer de 2 sábanas, 1 funda y 2 toallas; el secado de la carga que queda debe realizarse seleccionando el nivel de secado "☁☁".
 	Esta máquina cumple con lo establecido por las siguientes Directivas de la Comunidad: - 2004/108/CE (Compatibilidad Electromagnética) - 2012/19/EU - 2006/95/CE (Baja Tensión)

# Mantenimiento y cuidados

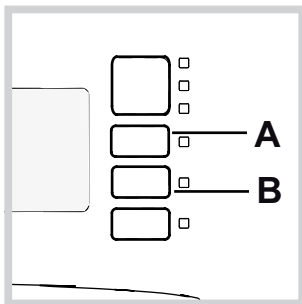
ES

## Interrumpir el agua y la corriente eléctrica

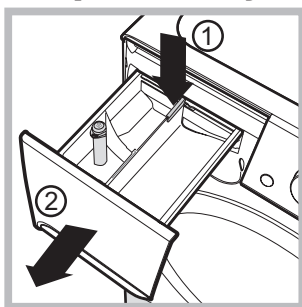
- Cierre el grifo de agua después de cada lavado. De este modo se limita el desgaste de la instalación hidráulica de la lavasecadora y se elimina el peligro de pérdidas.
- Desenchufe la máquina cuando la debe limpiar y durante los trabajos de mantenimiento.

## Limpiar la lavasecadora

- La parte externa y las partes de goma se pueden limpiar con un paño embebido en agua tibia y jabón. No use solventes ni productos abrasivos.
- La lavasecadora posee un programa de "Auto Limpieza" de su interior que se debe realizar **sin ningún tipo de carga en el cesto**. El detergente (en un 10% de la cantidad aconsejada para prendas poco sucias) o algunos aditivos específicos para la limpieza de la ropa se podrán utilizar como coadyuvantes en el programa de lavado. Se aconseja efectuar el programa de limpieza cada 40 ciclos de lavado. Para activar el programa pulse simultáneamente los botones **A** y **B** durante 5 segundos (ver la figura). El programa comenzará automáticamente y tendrá una duración de 70 minutos aproximadamente. Para detener el ciclo presione el botón START/PAUSE.



## Limpiar el cajón de detergentes



Para extraer el cajón, presione la palanca (1) y tire hacia afuera (2) (ver la figura).

Lávelo debajo del agua corriente, esta limpieza se debe realizar frecuentemente.

## Cuidar la puerta y el cesto

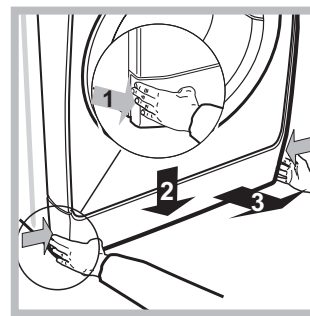
- Deje siempre semicerrada la puerta para evitar que se formen malos olores.

## Limpiar la bomba

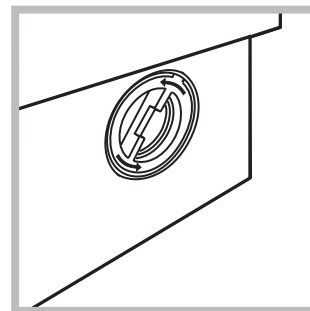
La lavasecadora posee una bomba autolimpiante que no necesita mantenimiento. Pero puede suceder que objetos pequeños (monedas, botones) caigan en la precámara que protege la bomba, situada en la parte inferior de la misma.

! Verifique que el ciclo de lavado haya terminado y desenchufe la máquina.

Para acceder a la precámara:



1. quite el panel de cobertura delantero de la máquina presionando hacia el centro, luego empuje hacia abajo desde ambos costados y extráigalo (ver las figuras).



2. desenrosque la tapa girándola en sentido antihorario (ver la figura): es normal que se vuelque un poco de agua;

3. limpie con cuidado el interior;
4. vuelva a enroscar la tapa;
5. vuelva a montar el panel verificando, antes de empujarlo hacia la máquina, que los ganchos se hayan introducido en las correspondientes ranuras.

## Controlar el tubo de alimentación de agua

Controle el tubo de alimentación al menos una vez al año. Si presenta grietas o rajaduras debe ser sustituido: durante los lavados, las fuertes presiones podrían provocar roturas imprevistas.

! No utilice nunca tubos ya usados.



! La lavasecadora fue proyectada y fabricada en conformidad con las normas internacionales de seguridad. Estas advertencias se suministran por razones de seguridad y deben ser leídas atentamente.

## Seguridad general

- Este aparato ha sido fabricado para un uso de tipo doméstico exclusivamente.
- Este aparato puede ser utilizado por niños de 8 años o más y por personas con capacidades físicas, sensoriales o mentales disminuidas o con experiencia y conocimientos insuficientes siempre que sean supervisados o que hayan recibido una adecuada formación sobre el uso del aparato en forma segura y conozcan los peligros derivados del mismo. Los niños no deben jugar con el aparato. El mantenimiento y la limpieza no deben ser realizados por niños sin supervisión.
  - No secar prendas no lavadas.
  - Las prendas sucias con sustancias como aceite de cocina acetona, alcohol, gasolina, kerosén, quitamanchas, trementina, cera o sustancias para quitarlas, deben lavarse con agua caliente con una cantidad mayor de detergente antes de secarlas en la secadora.
  - Objetos como la goma expandida (látex), las gorras de ducha, los materiales textiles impermeables, los artículos con un lado de goma y las prendas o cojines que tienen partes de látex no deben secarse en la secadora.
  - Suavizantes o productos similares deben emplearse de acuerdo con las instrucciones del fabricante.
  - La parte final de un ciclo de la secadora se realiza sin calor (ciclo de enfriamiento) para garantizar que los artículos no se dañen.
- **ATENCIÓN:** Nunca detener una secadora antes que finalice el programa de secado. En este caso, sacar con rapidez todas las prendas y colgarlas para enfriarlas con celeridad.
- No toque la máquina con los pies desnudos ni con las manos o los pies mojados o húmedos.
- No desenchufe la máquina tirando el cable, sino tomando el enchufe.
- No toque el agua de descarga porque puede alcanzar temperaturas elevadas.
- Nunca fuerce la puerta: podría dañarse el mecanismo de seguridad que la protege de aperturas accidentales.
- En caso de avería, no acceda nunca a los mecanismos internos para intentar una reparación.
- Controle siempre que los niños no se acerquen a la máquina cuando está en funcionamiento.
- Si debe ser trasladada, deberán intervenir dos o más personas, procediendo con el máximo cuidado. La

máquina no debe ser desplazada nunca por una sola persona ya que es muy pesada.

- Antes de introducir la ropa controle que el cesto esté vacío.
- Durante el secado la puerta tiende a calentarse.
- No seque ropa lavada con solventes inflamables (por ej. tricloroetileno).
- No seque gomaespuma o elastómeros análogos.
- Verifique que, durante las fases de secado, el grifo de agua esté abierto.
- Los niños de edad inferior a 3 años deben mantenerse alejados de la secadora en ausencia de vigilancia constante.
- Vaciar los bolsillos de todos los objetos, como encendedores o fósforos.

## Sistema de equilibrado de la carga

Antes de cada centrifugado, para evitar vibraciones excesivas y para distribuir la carga de modo uniforme, el cesto realiza rotaciones a una velocidad ligeramente superior a la del lavado. Si después de varios intentos, la carga todavía no está correctamente equilibrada, la máquina realiza el centrifugado a una velocidad inferior a la prevista. Cuando existe un excesivo desequilibrio, la lavasecadora realiza la distribución antes que el centrifugado. Para obtener una mejor distribución de la carga y su correcto equilibrado, se aconseja mezclar prendas grandes y pequeñas.

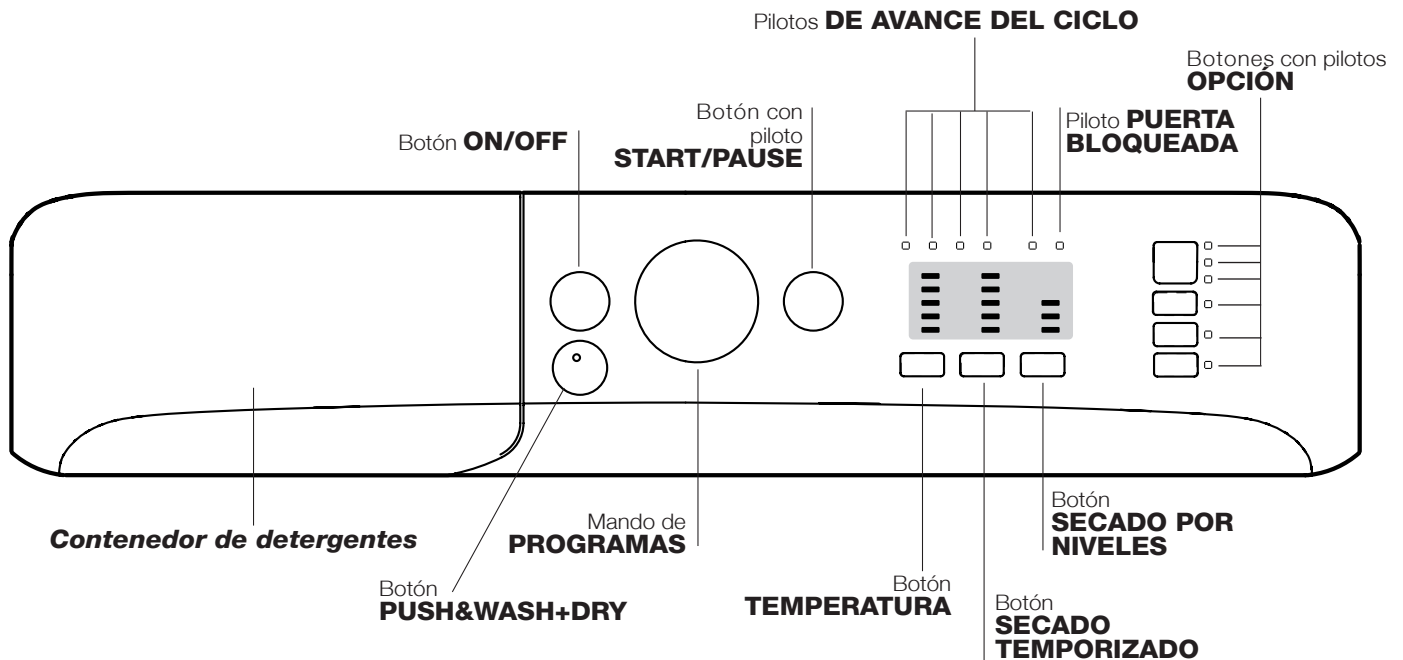
## Eliminaciones

- Eliminación del material de embalaje: respete las normas locales, de ese modo, los embalajes podrán volver a ser utilizados.
- La norma Europea 2012/19/EU sobre la eliminación de aparatos eléctricos y electrónicos, indica que los electrodomésticos no deben ser eliminados de la misma manera que los desechos sólidos urbanos. Los aparatos en desuso se deben recoger separadamente para optimizar el porcentaje de recuperación y reciclaje de los materiales que los componen e impedir potenciales daños para la salud y el medio ambiente. El símbolo de la papelera tachada se encuentra en todos los productos para recordar la obligación de recolección separada. Para mayor información sobre la correcta eliminación de los electrodomésticos, los poseedores de los mismos podrán dirigirse al servicio público responsable o a los revendedores.

# Descripción de la lavasecadora y comienzo de un programa

ES

## Panel de control



**Contenedor de detergentes:** para cargar detergentes y aditivos (ver "Detergentes y ropa").

Botón de **ON/OFF:** para encender y apagar la lavasecadora.

Botón **PUSH&WASH+DRY:** (ver "Programas").

Mando de **PROGRAMAS:** para elegir los programas. Durante el funcionamiento del programa el mando no se mueve.

Botones con pilotos de **OPCIÓN:** para seleccionar las funciones disponibles. El piloto correspondiente a la función seleccionada permanecerá encendido.


Botón **TEMPERATURA:** para seleccionar la temperatura o el lavado en frío (ver "Personalizaciones").

Botón **SECADO TEMPORIZADO:** pulsar para seleccionar el tiempo de secado; el tiempo de secado seleccionado es indicado por los testigos al lado.

Botón **SECADO POR NIVELES:** pulsar para seleccionar los niveles de secado; el nivel de secado seleccionado es indicado por los testigos al lado.

Pilotos **DE AVANCE DEL CICLO:** para seguir el estado de avance del programa de lavado. El piloto encendido indica la fase en curso.

Piloto **PUERTA BLOQUEADA:** para saber si la puerta se puede abrir (ver la página correspondiente).

Botón con piloto **START/PAUSE:** se utiliza para poner en marcha los programas o interrumpirlos momentáneamente. **Nota:** Presione este botón para poner en pausa el lavado en curso, el piloto correspondiente centelleará con color anaranjado mientras que el de la fase en curso permanecerá encendido en forma fija. Si el piloto PUERTA BLOQUEADA  está apagado, se podrá abrir la puerta (espere 3 minutos aproximadamente).

Para que el lavado se reanude a partir del momento en el cual fue interrumpido, presione nuevamente este botón.

### Modalidad de stand by

Esta lavasecadora está en conformidad con las nuevas normativas vinculadas al ahorro energético. Está dotada de un sistema de auto-apagado (stand by) que, en caso de no funcionamiento, se activa aproximadamente 30 minutos. Presionar brevemente el botón ON-OFF y esperar que la máquina se active.

Consumo en off-mode: 0,5 W




Consumo en Left-on: 8 W

## Pilotos

Los pilotos suministran información importante. He aquí lo que nos dicen:

### Pilotos fase en curso

Una vez seleccionado y puesto en marcha el ciclo de lavado deseado, las luces testigo se encenderán progresivamente para indicar su estado de avance:

Lavado	
Aclarado	
Centrifugado/Descarga	
Secado	
Fin del Lavado	<b>END</b>

### Botones de función y pilotos correspondientes

Seleccionando una función, el piloto correspondiente se iluminará. Si la función seleccionada no es compatible con el programa elegido, el piloto correspondiente centelleará y la función no se activará. Si la opción seleccionada no es compatible con otra opción elegida anteriormente, la incompatibilidad se indicará con el centelleo del piloto y una señal sonora (3 sonidos) y se activará sólo la segunda opción, el piloto de la opción activada se iluminará.

### Piloto puerta bloqueada

El piloto encendido indica que la puerta está bloqueada impidiendo su apertura; para poder abrir la puerta es necesario que dicho piloto esté apagado (espere 3 minutos aproximadamente). Para abrir la puerta mientras un ciclo está en curso, presione el botón START/PAUSE; si el piloto PUERTA BLOQUEADA está apagado, será posible abrir la puerta.


## Poner en marcha un programa

### Programación rápida

- CARGAR LA ROPA.** Abra la puerta. Cargue la ropa, cuidando no superar la cantidad de carga indicada en la tabla de programas de la página siguiente.
- DOSIFICAR EL DETERGENTE.** Extraiga el cajón y vierta el detergente en las cubetas correspondientes como se explica en “*Detergentes y ropa*”.
- CERRAR LA PUERTA.**
- Pulsar el botón “Push&Wash+Dry” para poner en marcha el programa.

### Programación tradicional

- Encienda la lavasecadora pulsando el botón ON-OFF. Todos los pilotos se encenderán durante algunos segundos, luego permanecerán encendidos sólo los pilotos correspondientes a las configuraciones para el programa seleccionado y centelleará el piloto START/PAUSE.
- Cargue la ropa y cierre la puerta.
- Seleccione el programa deseado con el mando de PROGRAMAS.

- Fije la temperatura de lavado (ver “*Personalizaciones*”).
- Seleccione el secado, si es necesario (ver “*Personalizaciones*”).
- Vierta detergente y aditivos (ver “*Detergentes y ropa*”).
- Seleccione las funciones deseadas.
- Ponga en marcha el programa presionando el botón START/PAUSE y el piloto correspondiente permanecerá encendido, fijo y de color verde. Para anular el ciclo seleccionado ponga en pausa la máquina presionando el botón START/PAUSE y elija un nuevo ciclo.
- Al final del programa se iluminará el piloto **END**. Cuando el piloto PUERTA BLOQUEADA  se apague, será posible abrir la puerta (espere 3 minutos aproximadamente). Extraiga la ropa y deje la puerta semicerrada para permitir que el cesto se seque. Apague la lavasecadora presionando el botón ON/OFF.

# Programas

ES

## Push&Wash+Dry

Esta función permite lanzar un ciclo automático de lavado y secado, incluso con la máquina apagada, sin tener que pulsar la tecla ON/OFF o, después de encender la máquina, sin accionar ninguna otra tecla o selector (de lo contrario, el programa Push&Wash+Dry se desactiva). Para poner en marcha el ciclo Push&Wash+Dry, pulsar la tecla 2 segundos. El testigo encendido indica que el ciclo está en marcha. El ciclo de lavado y secado es ideal para prendas de algodón y sintéticas; funciona a una temperatura de lavado de 30° y una velocidad máxima de centrifugado de 1000 revoluciones al minuto. Durante el secado, la temperatura máxima alcanzada es 60°C. Al finalizar el programa, la humedad residual es adecuada para el "☁". Carga máxima recomendada 2,5 kg. (Duración del ciclo 210').

### ¿Cómo funciona?

1. Cargar la ropa (prendas de algodón y/o sintéticas) y cerrar la puerta.
  2. Verter el detergente y los aditivos.
  3. Lanzar el programa pulsando 2 segundos la tecla Push&Wash+Dry. El testigo correspondiente se enciende en verde y la puerta se bloquea (símbolo de puerta bloqueada encendido).
- Nota: El lanzamiento del programa con la tecla Push&Wash+Dry activa un ciclo automático de lavado y secado recomendado para algodón y sintéticos no personalizable.
4. Es posible utilizar el programa automático para el solo lavado excluyendo el secado. Después de pulsar la tecla Push&Wash+Dry, pulsar la tecla de secado ☀. El icono de secado nivel "☁" se apaga. La carga máxima para el solo lavado es 3,5 kg (Duración del ciclo 50'). No es posible personalizar ulteriormente el programa.
- Para abrir la puerta mientras el ciclo automático está en curso, pulsar la tecla START/PAUSE; si el símbolo de puerta bloqueada está apagado, será posible abrir la puerta exclusivamente durante la fase de lavado. Pulsar nuevamente la tecla START/PAUSE para reanudar el programa desde el punto en que se había interrumpido.
5. Al final del programa se iluminará el piloto END.

## Tabla de programas

Programas	Descripción del Programa	Temp. max. (°C)	Velocidad max. (r.p.m.)	Secado	Carga máxima para el secado (Kg)	Detergentes				Carga máxima para el lavado para el lavado (Kg)	Duración del ciclo de lavado
						Pre-lavado	Lavado	Suavizante	Blanqueador		
<b>Programas Especiales</b>											
1	<b>Sport</b>	30°	600	●	3	-	●	●	-	3,5	55'
2	<b>Oscuro</b>	30°	800	●	2,5	-	●	●	-	4	70'
3	<b>Antiolor (Algodón)</b>	60°	1000	●	3,5	-	●	●	-	3,5	110'
3	<b>Antiolor (Sintético)</b>	40°	1000	●	3	-	●	●	-	3,5	100'
4	<b>Delicados</b>	30°	0	●	1	-	●	●	-	1	80'
5	<b>Lana:</b> para lana, cachemira, etc.	40°	800	●	1,5	-	●	●	-	1,5	70'
6	<b>Rápido 30'</b>	30°	800	●	3	-	●	●	-	3	30'
<b>Standard</b>											
7	<b>Prelavado Algodón:</b> blancos sumamente sucios.	90°	1600	●	5	●	●	●	-	7	170'
8	<b>60°C Algodón Standard 60° (1):</b> blancos y colores resistentes muy sucios.	60° (Max. 90°)	1600	●	5	-	●	●	-	7	170'
9	<b>Sintético:</b> colores resistentes muy sucios.	60°	800	●	3	-	●	●	-	3,5	110'
10	<b>De color (2)</b>	40°	1600	●	5	-	●	●	-	7	100'
11	<b>Eco Algodón 20°:</b> blancos poco sucios y colores delicados.	20°	1600	●	5	-	●	●	-	7	170'
12	<b>Eco Sintético</b>	20°	800	●	5	-	●	●	-	7	120'
<b>Automático</b>											
13	<b>Lava y Seca 45'</b>	30°	1600	●	1	-	●	●	-	1	45'
14	<b>AirFresh</b>	-	-	●	1,5	-	-	-	-	-	30'
<b>Programas Parciales</b>											
☁	Aclarado/Blanqueador	-	1600	●	5	-	-	●	●	7	50'
☀	Centrifugado + Descarga	-	1600	●	5	-	-	-	-	7	10'

La duración del ciclo que se indica en el visor o en el manual es una estimación calculada en base a condiciones estándar. El tiempo efectivo puede variar en función de numerosos factores como la temperatura y la presión del agua de entrada, la temperatura ambiente, la cantidad de detergente, la cantidad y el tipo de carga, el equilibrado de la carga y las opciones adicionales seleccionadas.

Para todos los Test Institutos:

- 1) Programa de control según la norma EN 50229: seleccione el programa 8 con una temperatura 60°C.
- 2) Programa algodón largo: seleccione el programa 10 con una temperatura de 40°C.

## Seleccionar la temperatura

Presionando el botón TEMPERATURA se selecciona la temperatura de lavado (ver la *Tabla de programas*).

La temperatura se puede disminuir hasta el lavado en frío (❄).

La máquina impedirá automáticamente seleccionar una temperatura mayor que la máxima prevista para cada programa.

! Excepción: cuando se selecciona el programa 8, la temperatura se puede aumentar hasta 90°.

## Seleccione el secado

Se han previsto dos tipos de secado, **temporizado** o por **niveles**.

Pulsando la tecla SECADO TEMPORIZADO (🕒) se programa la duración de secado deseada: **40' - 90' - 120' - 150' - 180'**.

La primera vez que se pulsa la tecla, el tiempo será el mínimo permitido para el programa.

Cuando la máquina ha comenzado la fase de secado, después de pulsar la tecla SECADO TEMPORIZADO, será posible reducir la duración del secado programada. Los testigos luminosos indicarán la nueva duración del secado seleccionada y el tiempo residual de secado considerará el tiempo ya transcurrido.

Pulsando la tecla SECADO POR NIVELES (🌞) se programa el nivel de secado deseado:

**Doblar** (👔): se adapta para la ropa que se coloca en el armario sin necesidad de planchar.

**Colgar** (👕): ideal para aquellas prendas que no requieren el secado completo.

**Planchar** (👚): especial para prendas que después deben plancharse. El nivel de humedad residual atenúa las arrugas y facilita su eliminación.

Si excepcionalmente la carga de ropa para lavar y secar es superior al máximo previsto, realice el lavado, y una vez finalizado el programa, divida la carga y coloque una parte en el cesto. A partir de ese momento, siga las instrucciones para efectuar **“Sólo el secado”**. Repita las mismas operaciones para la carga restante. Al finalizar el secado continúa siempre un período de enfriamiento.

**Nota:** si todos los testigos de secado están apagados, la máquina **no** efectuará el secado.

### Sólo el secado

Pulsar la tecla (🕒) para ejecutar sólo el secado. Después de seleccionar un programa compatible con el tipo de prenda, al pulsar (🕒) se excluye el lavado y se activa el secado con el nivel máximo previsto para el programa seleccionado. Es posible cambiar el nivel o la duración del secado pulsando las teclas de secado (🌞, 🕒). (No compatible con los programas 13 y 14).

## Opciones de lavado

Las distintas funciones de lavado previstas por la lavasecadora permiten obtener la limpieza y el blanco deseados.

Para activar las funciones:

1. presione el botón correspondiente a la función deseada;
2. el encendido del piloto correspondiente indica que la función está activa.

**Nota:**

- Si la función seleccionada no es compatible con el programa elegido, el piloto correspondiente centelleará y la función no se activará.
- Si la opción seleccionada no es compatible con otra opción elegida anteriormente, la incompatibilidad se indicará con el centelleo del piloto y una señal sonora (3 sonidos) y se activará sólo la segunda opción, el piloto de la opción activada se iluminará.

### Antimancha

Esta opción permite seleccionar el tipo de suciedad para adaptar el ciclo de la manera mejor para eliminar las manchas. Los tipos de suciedad son:

- **Alimentos**, por ejemplo para manchas de alimentos y bebidas.
- **Trabajo**, por ejemplo para manchas de grasa y tinta.
- **Aire libre**, por ejemplo para manchas de barro y hierba.

! La duración del ciclo de lavado varía en función del tipo de suciedad seleccionado.



Presionando este botón se disminuye la velocidad de centrifugado.

### Aclarado Extra

Al elegir esta opción aumentará la eficacia del aclarado y se asegurará la máxima eliminación del detergente. Es útil para pieles particularmente sensibles.

**Tabla de tiempos de Secado (Valores indicativos)**

Tipo de tela	Tipo de carga	Carga máx. (kg)	Doblar	Colgar	Planchar
Algodón	Ropa de distintas dimensiones, toallas	5	250	210	190
Sintéticos	Sábanas, Camisas, Pijamas, calcetines, etc.	3	180	130	115
Lana	Suéteres, etc, etc.	1,5	155	135	115

# Detergentes y ropa

ES

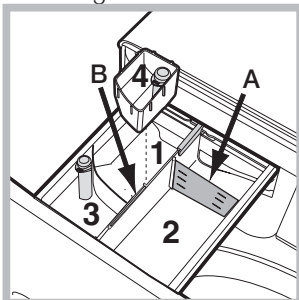
## Contenedor de detergentes

El buen resultado del lavado depende también de la correcta dosificación del detergente: si se excede la cantidad, no se lava de manera más eficaz, sino que se contribuye a encostrar las partes internas de la lavasecadora y a contaminar el medio ambiente.

! No use detergentes para el lavado a mano porque producen demasiada espuma.

! Utilice detergentes en polvo para prendas de algodón blancas, para el prelavado y para lavados con una temperatura mayor que 60°C.

! Respete las indicaciones que se encuentran en el envase de detergente.



Extraiga el contenedor de detergentes e introduzca el detergente o el aditivo de la siguiente manera:

### Compartimento 1: Detergente para prelavado (en polvo)

Antes de verter el detergente, verifique que no esté colocada la cubeta adicional 4.

### Compartimento 2: Detergente para lavado (en polvo o líquido)

Si se utiliza detergente líquido, se aconseja colocar el tabique divisorio **A** suministrado con la máquina, para una correcta dosificación. Cuando utilice detergente en polvo, vuelva a colocar el tabique divisorio en la cavidad **B**.

### Compartimento 3: Aditivos (suavizante, etc.)

El suavizante no debe superar el nivel "máx" indicado en el perno central.

### Cubeta adicional 4: Blanqueador

### Ciclo de blanqueo

Introduzca la cubeta adicional 4 suministrada con el aparato en el compartimento 1. Al verter el blanqueador no debe superar el nivel "máx" indicado en el perno central.

Para realizar el blanqueo, vierta el blanqueador en la cubeta adicional 4 y seleccione el programa

! El blanqueador tradicional debe utilizarse para los tejidos resistentes blancos, mientras que el delicado debe utilizarse para los tejidos coloreados y sintéticos, y para la lana.

## Preparar la ropa

- Subdivida la ropa según:
  - el tipo de tejido / el símbolo en la etiqueta.
  - los colores: separe las prendas de color y las blancas.
- Vacíe los bolsillos y controle los botones.
- No supere los valores indicados, referidos al peso de la ropa seca: ver "Tabla de programas".

### ¿Cuánto pesa la ropa?

- 1 sábana 400/500 g
- 1 funda 150/200 g
- 1 mantel 400/500 g
- 1 albornoz 900/1.200 g
- 1 toalla 150/250 g

## Prendas especiales

**Sport** (programa 1) ha sido estudiado para lavar tejidos usados en prendas deportivas (chándales, pantalones cortos, etc.) poco sucios; para obtener los mejores resultados es aconsejable no superar la carga máxima indicada en la "Tabla de programas". Se recomienda utilizar detergente líquido y la dosis correspondiente a la media carga.

**Oscuro:** utilice el programa 2 para el lavado de prendas de color oscuro. El programa ha sido estudiado para mantener los colores oscuros. Para obtener mejores resultados, cuando lave prendas oscuras se recomienda utilizar detergente líquido. Si se selecciona la función de secado, al finalizar el lavado se ejecutará automáticamente un secado delicado que preserva los colores de las prendas. La pantalla mostrará el nivel "🌀". Carga máx.: 2,5 kg

**Antiolor:** utilice el programa 3 para el lavado de las prendas para eliminar los olores desagradables (por ej. humo, sudor, fritos). El programa ha sido estudiado para eliminar los malos olores protegiendo las fibras de los tejidos. Se recomienda lavar a 40° las prendas sintéticas o las cargas mixtas y a 60° los tejidos en algodón resistente.

**Delicados:** utilice el programa 4 para el lavado de prendas muy delicadas. Se aconseja dar la vuelta a las prendas antes del lavado. Para obtener mejores resultados, se recomienda el uso de detergente líquido para prendas delicadas. Seleccionando la función de secado exclusivamente con tiempo, al finalizar el lavado se realizará un secado de particular delicadeza gracias a un movimiento suave y a un chorro de aire con temperatura controlada.

Los tiempos aconsejados son:

1 kg de sintético --> 150 min.

1 kg de sintético y algodón --> 180 min.

1 kg de algodón --> 180 min.

El grado de secado dependerá de la carga y de la composición del tejido.

**Lana:** el ciclo de lavado "Lana" de esta lavasecadora ha sido probado y aprobado por la Woolmark Company para el lavado de prendas que contienen lana clasificadas como "lavables a mano", siempre que el lavado se realice respetando las instrucciones contenidas en la etiqueta de la prenda y las indicaciones suministradas por el fabricante de esta lavasecadora. (M1126)



**Rápido 30'** (programa 6) este ciclo ha sido estudiado para lavar prendas ligeramente sucias a 30° (excepto por lana y seda) con una carga máxima de 3 kg en poco tiempo: dura sólo 30 minutos y permite ahorrar energía y tiempo

**De color:** utilice el programa 10 para el lavado de prendas de color claro. El programa ha sido estudiado para mantener la vivacidad de los colores.

**Eco Standard 20°** (programa 11) ideal para cargas de prendas de algodón sucias. Los buenos rendimientos aún en frío, comparables con los de un lavado a 40°, están garantizados por una acción mecánica que trabaja con variación de velocidad con picos repetidos y cercanos.

**Eco Sintético** (programa 12) ideal para cargas mixtas (algodón y sintéticos) de prendas medianamente sucias. Los buenos rendimientos de lavado aún en frío están garantizados por una acción mecánica que trabaja con variación de velocidad en intervalos medios y determinados.

**Lava y Seca 45'** (programa 13): utilice este programa para lavar y secar prendas (Algodón y Sintéticos) ligeramente sucias en poco tiempo. Seleccionando este ciclo se puede lavar y secar hasta 1 kg de ropa en sólo 45 minutos.

Para alcanzar los mejores resultados utilizar detergente líquido; pre-tratar puños, cuellos y manchas.

**AirFresh** (programa 14) ciclo ideal para refrescar y eliminar los malos olores, especialmente de humo, de las prendas de algodón y sintéticas (máx. 1,5kg) en sólo 30 minutos, sin fase de lavado.

Puede suceder que la lavasecadora no funcione. Antes de llamar al Servicio de Asistencia Técnica (ver "Asistencia"), controle que no se trate de un problema de fácil solución utilizando la siguiente lista.

## Anomalías:

### La lavasecadora no se enciende.

### El ciclo de lavado no comienza.

### La lavasecadora no carga agua (centellea rápidamente el piloto de la primera fase de lavado).

### La lavasecadora carga y descarga agua continuamente.

### La lavasecadora no descarga o no centrifuga.

### La lavasecadora vibra mucho durante la centrifugación.

### La lavasecadora pierde agua.

### Los pilotos de las "opciones" y el piloto de "START/PAUSE" parpadean y uno de los pilotos de la "fase en curso" y de "puerta bloqueada" quedan encendidos con la luz fija.

### Se forma demasiada espuma.

### No se activa la función Push&Wash+Dry.

### La Lavasecadora no seca.

## Posibles causas / Solución:

- El enchufe no está introducido en la toma de corriente, o no hace contacto.
- En la casa no hay corriente.

- La puerta no está correctamente cerrada.
- El botón ON/OFF no ha sido presionado.
- El botón START/PAUSE no ha sido presionado.
- El grifo de agua no está abierto.

- El tubo de alimentación de agua no está conectado al grifo.
- El tubo está plegado.
- El grifo de agua no está abierto.
- En la casa no hay agua.
- No hay suficiente presión.
- El botón START/PAUSE no ha sido presionado.

- El tubo de descarga no está instalado entre los 65 y 100 cm. del suelo (ver "Instalación").
- El extremo del tubo de descarga está sumergido en el agua (ver "Instalación").
- La descarga de pared no posee un respiradero.

Si después de estas verificaciones, el problema no se resuelve, cierre el grifo de agua, apague la lavasecadora y llame a la Asistencia. Si la vivienda se encuentra en uno de los últimos pisos de un edificio, es posible que se verifiquen fenómenos de sifonaje, por ello la lavasecadora carga y descarga agua de modo continuo. Para eliminar este inconveniente se encuentran disponibles en el comercio válvulas especiales que permiten evitar el sifonaje.

- El programa no prevé la descarga: con algunos programas es necesario ponerla en marcha manualmente.
- El tubo de descarga está plegado (ver "Instalación").
- El conducto de descarga está obstruido.

- El cesto, en el momento de la instalación, no fue desbloqueado correctamente (ver "Instalación").
- La máquina no está instalada en un lugar plano (ver "Instalación").
- Existe muy poco espacio entre la máquina, los muebles y la pared (ver "Instalación").

- El tubo de alimentación de agua no está bien enroscado (ver "Instalación").
- El contenedor de detergentes está obstruido (para limpiarlo ver "Mantenimiento y cuidados").
- El tubo de descarga no está bien fijado (ver "Instalación").

- Apague la máquina y desenchúfela, espere aproximadamente 1 minuto y luego vuelva a encenderla.  
Si la anomalía persiste, llame al Servicio de Asistencia Técnica.

- El detergente no es específico para la lavasecadora (debe contener algunas de las frases "para lavasecadora", "a mano o en lavasecadora" o similares).
- La dosificación fue excesiva.

- Tras encender la máquina se ha accionado un mando diferente de Push&Wash+Dry. Apague la máquina y presione el botón Push&Wash+Dry.

- El enchufe no está introducido en la toma de corriente, o no hace contacto.
- En la casa no hay corriente.
- La puerta no está bien cerrada.
- Todos los testigos de secado están apagados.

# Asistencia

---

ES

## **Antes de llamar al Servicio de Asistencia Técnica:**

- Verifique si la anomalía la puede resolver Ud. solo (ver "Anomalías y soluciones");
  - Vuelva a poner en marcha el programa para controlar si el inconveniente fue resuelto;
  - Si no es así, llame al Servicio de Asistencia técnica autorizado, al número de teléfono indicado en el certificado de garantía.
- ! No recurra nunca a técnicos no autorizados.

## **Comunique:**

- el tipo de anomalía;
- el modelo de la máquina (Mod.);
- el número de serie (S/N).

Esta información se encuentra en la placa aplicada en la parte posterior de la lavasecadora y en la parte delantera abriendo la puerta.

**La siguiente información es válida solo para España.**

**Para otros países de habla hispana consulte a su vendedor.**

### **Ampliación de garantía**

Llame al **902.363.539** y le informaremos sobre el fantástico plan de ampliación de garantía hasta 5 años.

Consiga una cobertura total adicional de

- Piezas y componentes
- Mano de obra de los técnicos
- Desplazamiento a su domicilio de los técnicos

Y NO PAGUE AVERIAS NUNCA MAS


### **Servicio de asistencia técnica (SAT)**

Llame al **902.133.133** y nuestros técnicos intervendrán con rapidez y eficacia, devolviendo el electrodoméstico a sus condiciones óptimas de funcionamiento.

En el SAT encontrará recambios, accesorios y productos específicos para la limpieza y mantenimiento de su electrodoméstico a precios competitivos.

ESTAMOS A SU SERVICIO



!  Ez a szimbólum arra figyelmeztet, hogy olvassa el ezt a használati utasítást.

HU

HU

Magyar

XWDA 751680

## Összefoglalás

### Üzembe helyezés, 26–27

Kicsomagolás és vízszintbe állítás  
Víz- és elektromos csatlakozás  
Első mosási ciklus  
Műszaki adatok

### Karbantartás és ápolás, 28

A víz elzárása és az elektromos áram kikapcsolása  
A mosógép tisztítása  
A mosószer-adagoló fiók tisztítása  
Az ajtó és a forgódob ápolása  
A szivattyú tisztítása  
A vízbevezető cső ellenőrzése

### Óvintézkedések és tanácsok, 29

Általános biztonság  
A bepakolt ruhák kiegyensúlyozására szolgáló rendszer  
Hulladékelhelyezés

### A mosógép leírása és program elindítása, 30-31

Kezelőpanel  
Jelzőlámpák  
Program elindítása

### Programok, 32

Push&Wash+Dry  
Programtáblázat

### Egyéni beállítások, 33

A hőmérséklet beállítása  
Helyezze be a szárítanivalót  
Mossa lehetőségek

### Mosószerek és mosandók, 34

Mosószer-adagoló fiók  
Fehérítő ciklus  
A mosandó ruhák előkészítése  
Különleges bánásmódot igénylő ruhadarabok

### Rendellenességek és elhárításuk, 35

### Szerviz, 36

# Üzembe helyezés

HU

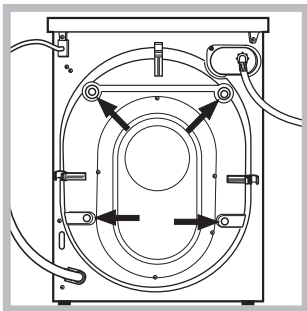
! E kézikönyv megőrzése azért fontos, hogy bármikor elővehesse, és megnézhesse. Ha a mosógépet eladná, átadná vagy másnál helyezné el, gondoskodjon arról, hogy e kézikönyv a mosógéppel együtt maradjon, hogy az új tulajdonos is megismerhesse a készülék funkcióit és az ezekre vonatkozó figyelmeztetéseket.

! Figyelmesen olvassa el az utasításokat: fontos információkat tartalmaznak az üzembe helyezésről, a használatról és a biztonságról.

## Kicsomagolás és vízszintbe állítás

### Kicsomagolás

1. Csomagolja ki a mosógépet.
2. Ellenőrizze, hogy a mosógép nem sérült-e meg a szállítás során. Ha a készüléken sérülést talál, ne csatlakoztassa, és forduljon a viszonteladóhoz.



3. Csavarozza ki a készülék hátsó részén található, a szállításhoz szükséges 4 védőcsavart, és távolítsa el a gumibakot a távtartójával együtt (lásd ábra).

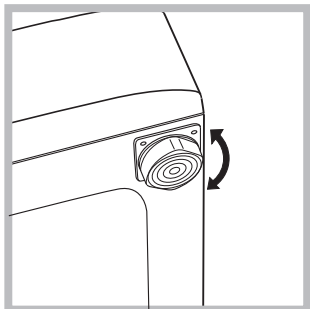
4. Zárja le a furatokat a mellékelt műanyag dugókkal.

5. Minden darabot őrizzen meg: ha a mosógépet szállítani kell, előtte ezeket vissza kell szerelni.

! A csomagolóanyag nem gyermekjáték.

### Vízszintbe állítás

1. A mosógépet sík és kemény padlóra állítsa, úgy, hogy ne érjen falhoz, bútorhoz vagy másához.

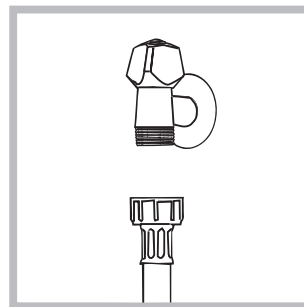


2. Ha a padló nem tökéletesen vízszintes, az első lábak be-, illetve kicsavarásával kompenzálhatja azt (lásd ábra). A dőlés a gép felső burkolatán mérve nem lehet több, mint 2°.

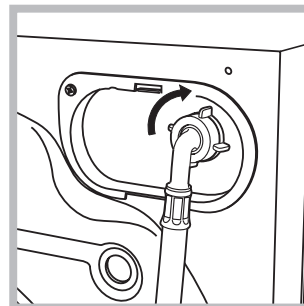
A pontos vízszintezés biztosítja a gép stabilitását, így az a működés során nem fog vibrálni, zajt okozni vagy elmozdulni. Szőnyegpadló vagy szőnyeg esetén a lábakat úgy állítsa be, hogy a mosógép alatt elegendő hely maradjon a szellőzésre.

## Víz- és elektromos csatlakozás

### A vízbevezető cső csatlakoztatása



vizet addig, amíg az teljesen átlátszóvá nem válik!



1. A vízbevezető cső csatlakoztatásához csavarozza fel a csövet egy 3/4"-os külső menettel rendelkező hidegvíz-csapra (lásd ábra). A csatlakoztatás előtt eressze meg a csapot, és folyassa a

2. A vízbevezető cső csatlakoztatásához csavarozza a csövet a mosógép hátoldalán jobbra fent található vízbemeneti csonkra (lásd ábra).

3. Ügyeljen arra, hogy a csövön ne legyen törés vagy szűkület.

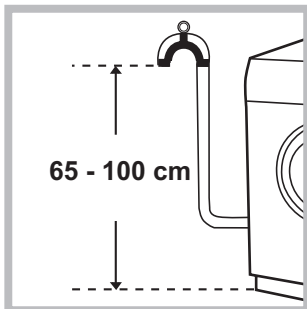
! A csap víznyomásának a műszaki adatok táblázatában szereplő határértékek között kell lennie (lásd a szemben lévő oldalt).

! Amennyiben a vízbevezető cső nem elég hosszú, forduljon szaküzlethez vagy engedéllyel rendelkező szakemberhez.

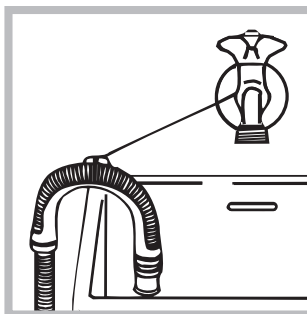
! Soha ne alkalmazzon már használt csöveket.

! Használja a készülékhez mellékelteket.

## A leeresztőcső csatlakoztatása



A leeresztőcsövet csatlakoztassa lefolyóhoz vagy a padlótól 65 és 100 cm közötti magasságban lévő fali lefolyószifonhoz anélkül, hogy megtörné!



Vagy akassza a mosdó vagy a kád szélére úgy, hogy a tartozékok között lévő vezetőt a csaphoz erősíti (lásd ábra). A leeresztőcső szabad végének nem szabad vízbe merülnie.

! Hosszabbító csövek használata nem javasolt. Amennyiben feltétlenül szükséges, a hosszabbító cső átmérője egyezzen meg az eredeti csőével, és semmiképpen se legyen 150 cm-nél hosszabb.

## Elektromos csatlakoztatás

Mielőtt a csatlakozódugót az aljzatba dugná, bizonyosodjon meg az alábbiakról:

- Az aljzat földelése megfelel a törvény által előírtak.
- Az aljzat képes elviselni a készülék műszaki adatait tartalmazó táblázatban megadott maximális teljesítményfelvételt (lásd szemben).
- A hálózat feszültsége a műszaki adatokat tartalmazó táblázatban szereplő értékek közé esik (lásd szemben).
- Az aljzat kompatibilis a mosógép csatlakozódugójával. Ellenkező esetben cserélje ki az aljzatot vagy a csatlakozódugót!

! A mosógép nem állítható fel nyílt téren, még akkor sem, ha a tér tetővel van fedve, mert nagyon veszélyes, ha a gép esőnek vagy zivataroknak van kitéve.

! A csatlakozódugónak a mosógép üzembe helyezett állapotában is könnyen elérhető helyen kell lennie.

! Ne használjon hosszabbítót vagy elosztót.

! A kábel ne legyen se megtörve, se összenyomva.



! A hálózati kábelt csak hivatalos szerelő cserélheti.

Figyelem! A fenti előírások figyelmen kívül hagyása esetén a gyártó elhárít minden felelősséget.

## Első mosási ciklus

Üzembe helyezés után – mielőtt a mosógépet használni kezdené – mosószerrel, mosandó ruha nélkül futtassa le a „AUTOMATA TISSZTÍTÁS” mosási programot (lásd „A mosógép tisztítása”).

## Műszaki adatok

<b>Modell</b>	XWDA 751680
<b>Méret</b>	szélesség 59,5 cm magasság 85 cm mélység 54 cm
<b>Ruhátöltet:</b>	mosáshoz 1-től 7 kg között szárításhoz 1-től 5 kg között
<b>Elektromos csatlakozás</b>	lásd a készüléken található, műszaki jellemzőket tartalmazó adattáblát!
<b>Vízcsatlakozások</b>	maximális nyomás 1 MPa (10 bar) minimális nyomás 0,05 MPa (0,5 bar) dob úrtartalma 52 liter
<b>Centrifuga fordulatszám</b>	1600 fordulat/perc-ig
<b>Az EN 50229 rendelet szerinti vizsgált programok</b>	<b>mosáshoz:</b> 8-as program; 60 C-os hőmérséklet; 7 kg ruhatöltettel végezve. <b>szárítás:</b> egy kis adag (2kg) szárításához ki kell választani az „A” szárítási szintet, az ágyneműadag 2 lepedőből, 1 párnahuzatból és 2 törölközőből álljon; a maradandó szárítási adag végrehajtásához válassza ki az „B” szárítási szintet.
	Ez a berendezés megfelel a következő Uniói Előírásoknak: - 2004/108/CE előírás (Elektromágneses összeférhetőség) - 2012/19/EU - 2006/95/CE (Alacsony feszültség)
	

# Karbantartás és ápolás

HU

## A víz elzárása és az elektromos áram kikapcsolása

- Minden mosás után zárja el a vízcsapot. Így kíméli a mosógép vízrendszerét, és megszünteti a vízszivárgás kockázatát.
- A mosógép tisztításakor, illetve karbantartásakor húzza ki a hálózati csatlakozódugót az aljzatból.

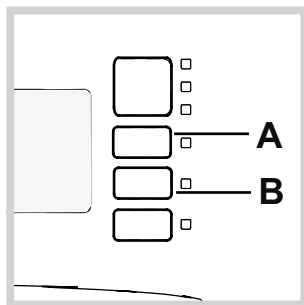
## A mosógép tisztítása

- A külső részeket és a gumirészeket langyos, szappanos vizes ronggyal tisztíthatja. Ne használjon oldószert vagy súrolószert!
- A mosógép a belső részegységek tisztítása érdekében „AUTOMATA TISSZTÍTÁS” programmal rendelkezik, melyet a **dob üres állapotában** kell végrehajtani.

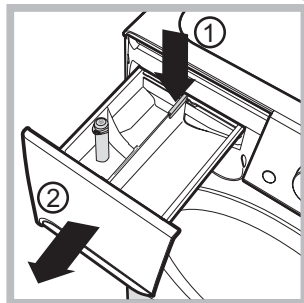
A mosószer (az enyhén szennyezett ruhadarabokhoz javasolt mennyiség 10%-ának megfelelő mennyiség) vagy a mosógéptisztító különleges adalékanyag a mosási program segédanyagaként használható. A tisztítási programot 40 mosási ciklusonként tanácsos lefuttatni.

A program bekapcsolásához nyomja meg egyidejűleg 5 másodpercig az **A** és **B** gombot (lásd ábra).

A program automatikusan elindul, és nagyjából 70 percig tart. A ciklus leállításához nyomja meg az **START/PAUSE** gombot.



## A mosószer-adagoló fiók tisztítása



A fiók kiszedéséhez nyomja meg a kart (1) és húzza ki a fiókot (2) (lásd ábra). Mossa ki folyó víz alatt! Ezt a tisztítást gyakran el kell végezni.

## Az ajtó és a forgódob ápolása

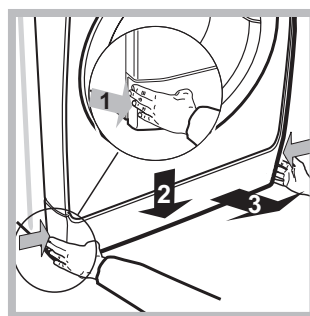
- Az ajtót hagyja mindig részre nyitva, nehogy rossz szagok keletkezzenek.

## A szivattyú tisztítása

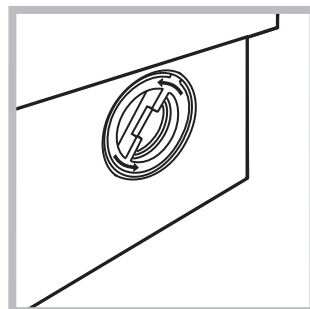
A mosógép öntisztító szivattyúval van felszerelve, melynek nincs szüksége tisztítási és karbantartási műveletekre. Előfordulhat azonban, hogy apró tárgyak (aprópénz, gomb) esnek a szivattyú alsó részén található szivattyúvédő előkamrába.

! Győződjön meg róla, hogy a mosási ciklus véget ért, és húzza ki a csatlakozódugót.

Az előkamrához való hozzáférés érdekében tegye a következőket:



1. Távolítsa el a burkolópanelt a készülék elejéről úgy, hogy középre nyomja, majd a két oldalról lefelé húzza, és kiveszi (lásd ábrák).



2. Órairánnyal elmentélesen forgatva csavarja le a fedelet (lásd ábra): természetes, hogy egy kevés víz kifolyik.

3. Gondosan tisztítsa ki az üreg belsejét.

4. Csavarja vissza a fedelet.

5. Szerelje vissza a panelt – mielőtt a gép felé nyomná, győződjön meg arról, hogy a horgok a hozzájuk tartozó furatokba illeszkednek.

## A vízbevezető cső ellenőrzése

Évente legalább egyszer ellenőrizze a vízbevezető csövet. Ha repedezett vagy hasadozott, ki kell cserélni – a mosás során a nagy nyomás hirtelen szakadást okozhat.

! Soha ne alkalmazzon már használt csöveket.

! A mosógépet a nemzetközi biztonsági szabványoknak megfelelően tervezték és gyártották. Ezeket a figyelemztetéseket biztonsági okokból írjuk le, és figyelmesen el kell olvasni őket!

## Általános biztonság

- Ez a készülék kizárólag háztartási használatra lett tervezve.
- Ezt a készüléket a 8 éves kort betöltött gyermekek, valamint a testileg, érzékszervileg vagy szellemileg korlátozott, nem hozzáértő, illetve a terméket nem ismerő személyek csak megfelelő felügyelet mellett, vagy a készülék biztonságos használatával kapcsolatos alapvető utasítások és a kapcsolódó veszélyek ismeretében használhatják. A gyerekek nem játszhatnak a készülékkel. A karbantartási és tisztítási munkálatokat felügyelet nélkül hagyott gyerekek nem végezhetik.
  - Ne szárítson nem mosott holmikat.
  - A főzőolajjal, acetonnal, alkohollal, benzinnel, kerozinnal, folttisztítóval terpentinrel, viasszal és az azok eltávolítására használt anyagokkal bekoszolódott ruhadarabokat a szárítógépben való szárításuk előtt meleg vízben kell mosni, sok mosószerrel.
  - Az olyan anyagokat, mint a habszivacs (polifoam szivacsok), a fürdősapka, a vízálló szövetek, az egy oldalon gumival bevont ruhaneműk, valamint a habszivacs részekkel rendelkező ruhadarabok, nem szabad szárítógépben szárítani.
  - Az öblítőket és hasonló termékeket a gyártó által megadott utasításoknak megfelelően kell használni.
  - A szárítógép ciklusainak a befejező részén nincs hőközlés (hűtési ciklus), hogy a ruhaneműket a rendszer ne károsítsa.
- FIGYELEM: Soha ne állítsa le a szárítógépet a szárítási program vége előtt. Ilyen esetben gyorsan vegyen ki minden ruhadarabot, és teregesse ki őket, hogy gyorsan kihülhessenek.
- Ne érjen a géphez mezítláb, illetve vizes vagy nedves kézzel vagy lábbal!
- A dugót sohase a tápkábel, hanem a dugó meghúzásával húzza ki az aljzatból!
- Ne nyissa ki a mosószer-adagoló fiókot, ha a mosógép működik.
- Ne nyúljon a leeresztett vízbe, mert forró lehet!
- Semmiképpen ne feszegesse az ajtót: megsérülhet a véletlen nyitást megakadályozó biztonsági retesz.
- Hiba esetén semmiképpen se nyúljon a gép belső részeihez, és ne próbálja megjavítani!
- Mindig ügyeljen arra, hogy gyermekek ne mehessenek a működő gép közelébe.

- A mosás során az ajtó meleg lehet.
- Amennyiben a gépet át kell helyezni, az áthelyezést két vagy három személy végezze, maximális odafigyeléssel. Soha ne próbálja meg a készüléket egyedül elmozdítani, mert az nagyon nehéz.
- A mosandó berakása előtt ellenőrizze, hogy a forgódob üres-e.
- A szárítási folyamat közben a készülék ajtaja felmelegszik.
- A készüléket ne használja olyan ruhaneműk szárítására, melyek előzetesen nyúlékony adalékokkal lettek kezelve (például triklór-etilén, benzin).
- A mosószárítógépben tilos habszivacsot vagy gumírozott anyagokat szárítani.
- Ellenőrizze, hogy a szárítási programnál a vízcsap nyitva van-e.
- A 3 éves kor alatti gyermekeket tartsa távol a szárítógéptől, ha nincsenek folyamatosan felügyelet alatt.
- Távolítsa el minden tárgyat, pl. öngyújtókat és gyufákat, a zsebekből.

## A bepakolt ruhák kiegyensúlyozására szolgáló rendszer

A túlzott zajhatás megelőzésére, valamint a mosandók egyenletes eloszlása érdekében a dob a centrifuga fázis előtt a mosási centrifugasebességnél kicsit nagyobb sebességre kapcsol. Amennyiben a töltet kiegyensúlyozására irányuló próbálkozások nem vezetnek eredményre, a készülék az elméleti centrifugasebességnél lassabb centrifugálásra kapcsol. Jelentős kiegyensúlyozatlanság esetén a mosógép, centrifugálás előtt megpróbálja a töltetet megfelelően eloszlítani. A töltet megfelelő eloszlásának biztosítása érdekében ajánlatos a nagy ruhaneműket a kicsikkel összekeverni.

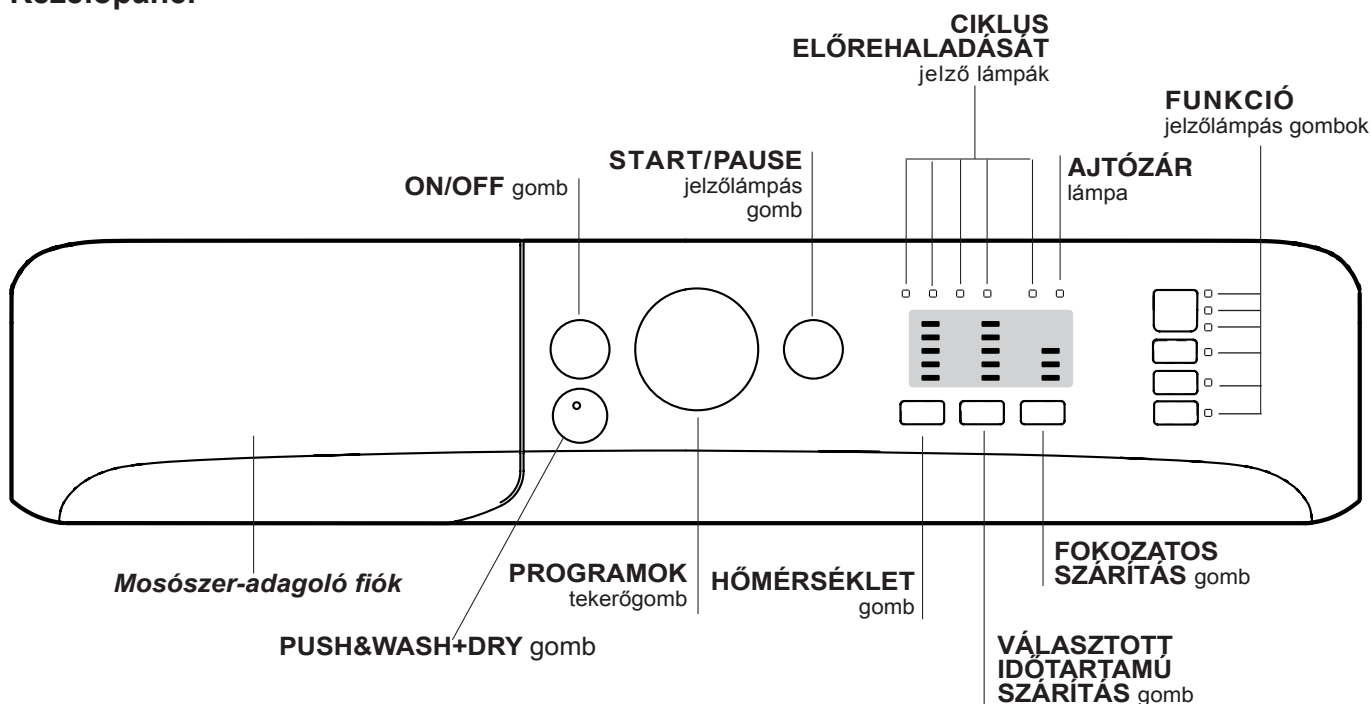
## Hulladékelhelyezés

- A csomagolóanyag megsemmisítése: tartsa be a helyi előírásokat, így a csomagolás újrahasznosítható.
  - Az Európai Parlament és Tanács, elektromos és elektronikus berendezések hulladékairól (WEEE) szóló 2012/19/EU irányelve előírja, hogy e hulladékok nem kezelhetők háztartási hulladékként. A forgalomból kivont berendezéseket, az azokat alkotó anyagok hatékonyabb visszanyerése, illetve újrahasznosítása, valamint az emberi egészség és a környezet védelme érdekében szelektíven kell gyűjteni! Az összes terméken megtalálható áthúzott szemetes szimbólum a szelektív gyűjtési kötelezettségre emlékeztet.
- A tulajdonosok, elektromos háztartási gépük forgalomból történő helyes kivonásával kapcsolatban, további információért a megfelelő közszolgálatához, illetve a forgalmazóhoz is fordulhatnak.

# A mosógép leírása és program elindítása

HU

## Kezelőpanel



**Mosószer-adagoló fiók:** a mosószerek és adalékok betöltésére szolgál (lásd „Mosószerek és mosandók”).

**ON/OFF gomb:** a mosógép be-, illetve kikapcsolására szolgál.

**PUSH&WASH+DRY gomb:** (lásd „Programok”).

**PROGRAMOK tekerőgomb:** a programok beállítására szolgál. A program lefutása alatt a tárcsa nem mozdul.

**FUNKCIÓ jelzőlámpás gombok:** a lehetséges funkciók kiválasztására szolgál. A kiválasztott funkció jelzőlámpája égve marad.


**HŐMÉRSÉKLET gomb:** a hőmérséklet, illetve a hideg vizes mosás beállítására szolgál (lásd „Egyéni beállítások”).

**VÁLASZTOTT IDŐTARTAMÚ SZÁRÍTÁS gomb:** nyomja meg a kívánt szárítási idő kiválasztásához. A kiválasztott szárítási idő az oldalsó jelzőlámpákon jelenik meg.

**FOKOZATOS SZÁRÍTÁS gomb:** nyomja meg a kívánt szárítási idő kiválasztásához. A kiválasztott szárítási idő az oldalsó jelzőlámpákon jelenik meg.

**CIKLUS ELŐREHALADÁSÁT jelző lámpák:** a mosási program előrehaladásának követésére szolgál.

**AJTÓZÁR lámpa:** az ajtó kinyithatóságának jelzésére szolgál (lásd a szemben lévő oldalt).

**START/PAUSE jelzőlámpás gomb:** a programok elindítására, illetve pillanatnyi megszakítására szolgál. Megjegyzés: A folyamatban lévő mosás szüneteltetéséhez nyomja meg ezt a gombot – a vonatkozó jelzőlámpa narancssárga fényel fog villogni, míg a folyamatban lévő fázist jelző lámpa folyamatos fényel világítani fog. Ha az AJTÓZÁR lámpa  nem világít, kinyithatja az ajtót (várjon kb. 3 percet). A mosásnak a megszakítás időpontjától való folytatásához nyomja meg ismét ezt a gombot.

### Készenléti üzemmód

Ez a mosógép – az energiatakarékosságra vonatkozó legújabb előírásoknak megfelelően – automatikus kikapcsolási (készenléti) rendszerrel van ellátva, mely a használat megadott percnyi szüneteltetése esetén bekapcsol. Nyomja meg röviden a ON/OFF gombot, és várjon, amíg a készülék újrabekapcsol.

*Fogyasztás off üzemmódban: 0,5 W*





*Fogyasztás bekapcsolva hagyott üzemmódban: 8 W*

## Jelzőlámpák

A jelzőlámpák fontos információkat közvetítenek. Ezek a következők:

### Folyamatban lévő fázis jelzőlámpái

A kívánt mosási ciklus kiválasztása és elindítása után a jelzőlámpák a program előrehaladásának megfelelően, egymás után kigyulladnak.

Mosás	
Öblítés	
Centrifugálás/ Ürítés	
Szárítás	
Mosás vége	<b>END</b>

### Funkciógombok és az azokhoz tartozó lámpák

A Kívánt funkció kiválasztásakor a megfelelő jelzőlámpa kigyullad.

Ha a kiválasztott funkció a beállított programmal nem fér össze, a megfelelő jelzőlámpa villogni kezd, és a funkció nem lesz bekapcsolva.

Ha a kiválasztott opció egy korábban beállított programmal nem fér össze, a gép jelzi az összeférhetetlenséget, a lámpa villogni kezd, a készülék hangjelzést bocsát ki (3 sípszó) és csak a második opció lesz bekapcsolva, és a bekapcsolt opció lámpája kigyullad.

## Program elindítása

### Gyors programozás


- 1. PAKOLJA BE A MOSANDÓ RUHÁKAT.** Nyissa ki az ajtót. Tegye be a mosandó ruhákat, ügyelve arra, hogy ne lépje túl a következő oldalon található programtáblázatban feltüntetett ruhatöltet-mennyiséget.
- 2. ADAGOLJA BE A MOSÓSZERT.** Vegye ki a fiókot, és a „Mosószerek és mosandók” fejezetben leírtak szerint öntse a mosószert a megfelelő tégelybe.
- 3. CSUKJA BE AZ AJTÓT.**
- Nyomja meg a „Push&Wash+Dry” GOMBOT a program elindításához.

### Hagyományos programozás

- A ON/OFF gomb megnyomásával kapcsolja be a mosógépet. Néhány másodpercre az összes jelzőlámpa bekapcsol, majd ezt követően a kiválasztott programra vonatkozó jelzőlámpák bekapcsolva maradnak, és az START/PAUSE lámpa villogni kezd.
- Helyezze be a mosandó ruhákat, és csukja be az ajtót.

### Ajtózár lámpa

A világító jelzőlámpa azt jelzi, hogy a véletlen nyitás megakadályozása érdekében az ajtó be van zárva. Az ajtó kinyitásához meg kell várni, hogy a jelzőlámpa kialudjon (várjon kb. 3 percet). Az ajtó menet közbeni kinyitásához nyomja meg az START/PAUSE gombot; ha az AJTÓZÁR lámpa kialudt, kinyithatja az ajtót.

- A PROGRAMOK tekerőgombbal állítsa be a kívánt programot.
- Állítsa be a mosási hőmérsékletet (lásd „Egyéni beállítások”).
- Állítsa be a szárítót, ha szükséges (lásd „Egyéni beállítások”).
- Töltse be a mosószert és adalékanyagokat (lásd „Mosószerek és mosandók”).
- Válassza ki a kívánt funkciókat.
- Az START/PAUSE gomb megnyomásával indítsa el a programot, mire a megfelelő jelzőlámpa zöld fényel világítani kezd. A beállított mosási ciklus törléséhez az START/PAUSE gomb megnyomásával szüneteltesse le a készüléket, és válasszon egy új mosási ciklust.
- A program végeztével kigyullad az END jelzőlámpa. Amikor az AJTÓZÁR  lámpa kialszik, az ajtót ki lehet nyitni (várjon kb. 3 percet). Vegye ki a mosandó ruhákat, és hagyja az ajtót félig nyitva, hogy a forgódob kiszáradjon. A ON/OFF gomb megnyomásával kapcsolja ki a mosógépet.

# Programok

HU

## Push&Wash+Dry

Ez a funkció lehetővé teszi egy automatikus mosási és szárítási ciklus elindítását kikapcsolt készülék esetén is, az ON/OFF gomb előzetes megnyomása nélkül vagy, a készülék bekapcsolása után, anélkül, hogy meg kellene nyomni egy bármilyen másik gombot és/vagy forgatógombot (ellenkező esetben a Push&Wash+Dry program kikapcsolásra kerül). A Push&Wash+Dry ciklus elindításához tartsa lenyomva a gombot legalább 2 másodpercig. ha a lámpa világít, az azt jelenti, hogy a ciklus el van indítva. A mosási és szárítási ciklus ideális pamut és műszálás anyagból készült ruhadarabokhoz. 30 °C-os hőmérsékleten, max. 1000 fordulat/perc-es centrifugálással működik. A szárítás során az elérhető legmagasabb hőmérséklet 60°C. A program végén a maradék nedvességtartalom annyi, mint a . A javasolt max. ruhatöltet 2,5 kg. (Programidő 210').

### Hogy működik?

- Helyezze be a mosandó ruhákat (pamut és/vagy műszálás anyagból készült ruhadarabokat), és csukja be az ajtót.
  - Töltse be a mosóport és adalékanyagokat.
  - A Push&Wash+Dry gombot 2 másodpercig lenyomva tartva indítsa el a programot. A megfelelő jelzőlámpa állandó zöld fénnel világítani kezd, és az ajtózárra bekapcsol (az ajtózárra szimbólum világítani kezd).
- MEGJEGYZÉS: A Push&Wash+Dry gomb megnyomásával elindított program aktivál egy automatikus, nem módosítható mosási és szárítási ciklust, mely pamut és műszálás ruhadarabokhoz javasolt.
- A szárítás kizárásával a mosáshoz használni lehet az automatikus programot. A Push&Wash+Dry gomb megnyomása után nyomja meg az szárítási gombot. A szárítási szimbóluma kialszik. A max. töltet csak mosáshoz 3,5 kg (Programidő 50'). A programot nem lehet tovább testreszabni.
- Az ajtó automatikus menet közbeni kinyitásához nyomja meg az START/PAUSE gombot – ha az ajtózárra szimbólum kialudt, az ajtót kizárólag csak a mosási fázis alatt nyithatja ki. A mosásnak a megszakítás időpontjától való folytatásához nyomja meg ismét az START/PAUSE gombot.
- A program végeztével kigyullad az END jelzőlámpa.

## Programtáblázat

Programok	Szimbólum Programleírás	Max. hőm (°C)	Max. sebesség (ford./perc)	Szárítás	Max. töltet a szárításhoz (Kg)	Mosószerek és adalékok				Max. töltet a mosáshoz (Kg)	A mosási ciklus időtartama
						Előmosás	Mosás	Öblítő	Fehérlítőszer		
<b>Speciális</b>											
1	Sport	30°	600	●	3	-	●	●	-	3,5	55'
2	Sötét	30°	800	●	2,5	-	●	●	-	4	70'
3	Szagtalanítás (Pamut)	60°	1000	●	3,5	-	●	●	-	3,5	110'
3	Szagtalanítás (Műszálás)	40°	1000	●	3	-	●	●	-	3,5	100'
4	Kíméletes	30°	0	●	1	-	●	●	-	1	80'
5	Gyapjú: gyapjú, kasmír stb. ruhaneműk mosásához.	40°	800	●	1,5	-	●	●	-	1,5	70'
6	Gyorsmosás 30'	30°	800	●	3	-	●	●	-	3	30'
<b>Standard</b>											
7	Pamut előmosással: erősen szennyezett fehér ruhák.	90°	1600	●	5	●	●	●	-	7	170'
8	Normál 60°C-os pamutprogram (1): erősen szennyezett fehér és magasabb hőmérsékleten mosható színes ruhák.	60° (Max. 90°)	1600	●	5	-	●	●	-	7	170'
9	Műszálás: erősen szennyezett, magasabb hőmérsékleten mosható színes ruhák.	60°	800	●	3	-	●	●	-	3,5	110'
10	Színes (2)	40°	1600	●	5	-	●	●	-	7	100'
11	Eco pamutprogram 20°: enyhén szennyezett fehér és magasabb hőmérsékleten mosható színes ruhák.	20°	1600	●	5	-	●	●	-	7	170'
12	Eco Műszálás	20°	800	●	5	-	●	●	-	7	120'
<b>Automatikus</b>											
13	Wash&Dry 45'	30°	1600	●	1	-	●	●	-	1	45'
14	AirFresh	-	-	●	1,5	-	-	-	-	-	30'
<b>Részleges</b>											
	Öblítés/Fehérlítőszer	-	1600	●	5	-	-	●	●	7	50'
	Centrifugálás + Ürítés	-	1600	●	5	-	-	-	-	7	10'

A kijelzőn megjelenő vagy a kézikönyben feltüntetett ciklusidők szokásos körülmények alapján becsült értékek. A tényleges időt számos tényező befolyásolhatja – pl. a bemeneti víznyomás, a környezeti hőmérséklet, a mosószert mennyisége, a ruhatöltet mennyisége és típusa, a ruhatöltet kiegyensúlyozása, a kiválasztott további opciók.

A vizsgálószervek számára:

1) Az EN 50229 rendelet szerinti vizsgálati programok: állítsa be a 8-os programot 60 °C-ra.

2) Hosszú pamut program: állítsa be a 10-os programot 40 °C-ra.



## A hőmérséklet beállítása

A mosási hőmérséklet beállításához forgassa el a HŐMÉRSÉKLET tekerőgombot (lásd *Programtáblázat*).

A hőmérsékletet a hideg vízzel történő mosás hőmérséklet-értékéig lehet csökkenteni (☼). A készülék automatikusan megakadályozza, hogy az egyes programokhoz maximálisan beállíthatónál magasabb fordulatszámon centrifugáljon.

! Kivétel: a 8 program kiválasztása esetén a hőmérséklet egészen 90°C-ig növelhető.

## Helyezze be a szárítanivalót

Kétféle szárítási típus áll rendelkezésre: **választott időtartamú** és **fokozatos**.

A VÁLASZTOTT IDŐTARTAMÚ SZÁRÍTÁS gomb ☼ megnyomásakor beállíthatja a kívánt szárítási időtartamot: **40' - 90' - 120' - 150' - 180'**.

A gomb első megnyomására a kiválasztott időtartam a kiválasztott programhoz tartozó lehető legkisebb.

Amikor a gép elkezdte a szárítási fázist, a VÁLASZTOTT IDŐTARTAMÚ SZÁRÍTÁS gomb következő megnyomásakor a korábban beállított szárítási időt csökkenteni lehet. A jelzőlámpák az új szárítási időtartamot jelzik és a szárítás maradékideje figyelembe veszi a már eltelt időt.

A FOKOZATOS SZÁRÍTÁS gomb ☼ megnyomásakor beállíthatja a kívánt szárítási szintet:

**Szekrény** : Azon mosandó ruhák mosására szolgál, melyeket mosás után vasalás nélkül a szekrénybe lehet tenni.

**Akasztó** : Ideális a teljes szárítást nem igénylő ruhadarabokhoz.

**Vasalás** : Azon ruhadarabok mosására szolgál, melyeket mosás után vasalni kell. A ruhában maradt nedvesség puhává tesz a ráncokat, és megkönnyíti azok eltávolítását.

Ha a mosni és szárítani kívánt ruhanemű mennyisége jóval több, mint a megengedett, végezze el a mosást, és a program végeztével válassza szét a ruhaneműt és egy részét tegye vissza a dobba. Ezután kövesse a „**Csak szárítás**” végrehajtásához megadott instrukciókat. Ismételje meg ugyanezt a maradék ruhaneművel is. A szárítás végét mindig hűtési folyamat követi.

**Megjegyzés:** amennyiben egyik szárítás-jelzőlámpa sem világít, a készülék **nem** hajtja végre a szárítást.

## Csak szárítás

Csak a szárítás elvégzéséhez nyomja meg az gombot. A ruhadarabokkal kompatibilis program kiválasztása után az gomb megnyomásával kizárja a mosási fázist és bekapcsol a kiválasztott programnak megfelelő legmagasabb szárítási szint. A szárítás szintje vagy időtartama módosítható és beállítható az , szárítási gombokkal. (Nem kompatibilis a 13. és 14. programokkal).

## Mossa lehetőségek

A mosógép különféle mosási funkciói lehetővé teszik a kívánt tisztítás és fehérség elérését.

A funkciók bekapcsolásához tegye a következőket:

1. Nyomja meg a kívánt funkció gombját.
2. A megfelelő jelzőlámpa világítása azt jelzi, hogy a hozzá tartozó funkció be van kapcsolva.

### Megjegyzés:

- Ha a kiválasztott funkció a beállított programmal nem fér össze, a megfelelő jelzőlámpa villogni kezd, és a funkció nem lesz bekapcsolva.
- Ha a kiválasztott opció egy korábban beállított programmal nem fér össze, a gép jelzi az összeférhetetlenséget, a lámpa villogni kezd, a készülék hangjelzést bocsát ki (3 sípszó) és csak a második opció lesz bekapcsolva, és a bekapcsolt opció lámpája kigyullad.

## Folteltávolítás

Ez az opció lehetővé teszi a szennyeződés típus kiválasztását, hogy a ciklus megfelelő legyen a folteltávolításhoz. A szennyeződés típusok az alábbiak:

- **Étel**, étel- és italfoltokhoz.
- **Munka**, például zsír- és tintafoltokhoz.
- **Szabadban**, például sár- és fűfoltokhoz.

! A mosási ciklus időtartama a kiválasztott szennyeződéstípustól függ.



Ezzel a gombbal a centrifugálás sebességét lehet csökkenteni.

## Extra öblítés

Ezen opció alkalmazásával nő az öblítés, valamint a végső mosószer-eltávolítás hatékonysága. Használata a különösen érzékeny bőrű embereknél ajánlott.

**Szárítási hőmérséklet táblázat** A táblázatban szereplő értékek tájékoztató jellegűek.

Anyagtípus	Töltet	Max. töltet (kg)	Szekrény	Akasztó	Vasalás
Pamut	Különböző méretű ruhaneműk, Frottír törülközők	5	250	210	190
Szintetikus	Ágyneműk, ingek, Pizsamák, zoknik stb.	3	180	130	115
Gyapjú	Póló, pulóver, stb	1,5	155	135	115

# Mosószerek és mosandók

HU

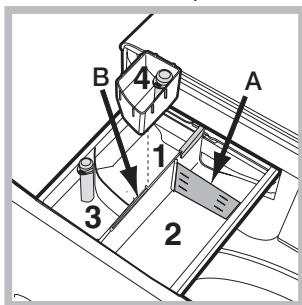
## Mosószere-adagoló fiók

A mosás eredményessége függ a mosószere helyes adagolásától is: ha túl sokat adagol belőle, a mosás nem lesz hatékonyabb, de hozzájárul ahhoz, hogy lerakódás képződjön a mosógépben, valamint a környezetet is jobban szennyezi.

! Ne használjon kézi mosószert, mert túlzottan sok hab képződik.

! Fehér színű pamut ruhadarabokhoz, előmosáshoz és 60 °C-nál magasabb hőmérsékleten történő mosásokhoz mosóport használjon.

! Kövesse a mosópor csomagolásán feltüntetett utasításokat.



Húzza ki a mosószere-adagoló fiókot, és a következők szerint tegye bele a mosószert, illetve az adalékot.

### 1-es rekesz: Mosószere előmosáshoz (por)

A mosószere betöltése előtt győződjön meg arról, hogy a 4-es berakható rekesz nincs ebben a rekeszben.

### 2-es rekesz: Mosószere mosáshoz (por vagy folyadék)

Ha folyékony mosószert használ, a megfelelő adagolás érdekében tanácsos az A elválasztólapot használni. Ha mosóport használ, tegye az elválasztólapot a B térbe.

### 3-as rekesz: Adalékok (öblítők stb.)

Az öblítő betöltése közben vigyázzon arra, hogy az a központi csapon jelzett „max” szintet ne lépje túl.

### 4-es berakható rekesz: Fehéritőszere

## Fehéritő ciklus

Tegye be a mellékelt, 4-es berakható rekeszt az 1-es rekeszbe. A fehéritőszere betöltése közben vigyázzon arra, hogy az a központi csapon jelzett „max” szintet ne lépje túl. Ha fehériteni akar, tegyen fehéritőszert a 4. pótrekeszbe és állítsa be a programot.

! A hagyományos fehéritést tartós fehér ruhákhoz, a kíméletes pedig színes, szintetikus vagy gyapjú anyagokhoz használjuk.

## A mosandó ruhák előkészítése

- Osztályozza a mosandókat a következők szerint:
  - Anyag típusa / címkén lévő szimbólum
  - Színek. Válogassa külön a színes és fehér ruhákat.
- Őrítse ki a zsebeket, és vizsgálja meg a gombokat.
- Ne lépje túl a mosandók száraz súlyára vonatkozóan megadott értékeket: lásd „Programtáblázat”.

### Milyen nehezek a mosandó ruhák?

- 1 lepedő: 400–500 g.
- 1 párnahuzat: 150–200 g
- 1 asztalterítő: 400–500 g
- 1 fürdőköpeny: 900–1200 g.
- 1 törölköző: 150–250 g

## Különleges bánásmódot igénylő ruhadarabok

**Sport (1-es program)** az enyhén koszos sportruházatok (melegítők, rövid nadrágok stb.) mosására tervezték. A legjobb eredmény érdekében javasoljuk, hogy ne lépje túl a „Programtáblázat”-ban feltüntetett maximális töltetet. Folyékony mosószere alkalmazása javasolt, féladagnak megfelelő mennyiségét használjon.

**Sötét:** a sötét anyagok mosásához használja a 2 programot. A program sötét színű ruhadarabok színének megtartására lett kifejlesztve. A jobb mosási eredmény érdekében – lehetőleg sötét ruhadarabok mosásához

való – folyékony mosószere használatát javasoljuk.

Ha a szárítás funkciót bekapcsolja, a mosás végén a kímélő mosást hajtja végre. A kijelzőn az „” mosási fokozatot mutatja. Max. ruhamennyiség: 2,5 kg

**Szagtelenítés:** a kellemetlen szagok (pl. cigarettafüst, izadtság, sültszagok) ruhaneműkből való eltávolításához használja az 3 programot. Ez a program a kellemetlen szagok eltávolítására lett tervezve, és megőrzi a szövetrostok tulajdonságait. A műszálás vagy vegyes ruhadarabokat 40 °C-os hőmérsékleten, az ellenálló, pamutból készült ruhadarabokat 60 °C-os hőmérsékleten javasolt mosni.

**Kíméletes:** a nagyon kényes anyagok mosásához használja a 4 programot. Javasoljuk, hogy mosás előtt fordítsa ki a ruhadarabokat. A jobb mosási eredmény érdekében kényes anyagokhoz való folyékony mosószere használatát javasoljuk.

Ha a szárítási opció csak az időtartam alapján kerül kiválasztásra, a mosás végén egy különlegesen kíméletes szárítási ciklus indul el gyengéd mozgattal és megfelelően ellenőrzött levegősugárral.

A javasolt időtartamok:

- 1 kg műszálás --> 150 perc
- 1 kg műszálás és pamut --> 180 perc
- 1 kg pamut --> 180 perc

A szárítási fokozat a szárítandó mennyiségtől és a ruhanemű alapanyagától függ.

**Gyapjú:** ezen mosógép gyapjú” mosási ciklusát a Woolmark Company tesztelte és engedélyezte “kézzel mosható” gyapjú ruhaneműk mosásához, amennyiben a mosást a ruhanemű címkéjén feltüntetett és a mosógép gyártója által előírt útmutatásoknak megfelelően hajtja végre. (M1126)



**Gyorsmosás 30' (6-es program)** ez a ciklus enyhén szennyezett ruhadarabok mosására alkalmas (kivéve gyapjút és selymet), maximum 3 kg-os ruhatöltettel rövid idő alatt. mindössze 30 percig tart, így energiát és időt takarít meg.

**Színes:** a 10 ciklust világos színű anyagok mosásához használja. A program a színek élénkségének megtartására lett kifejlesztve.

**Eco pamutprogram 20° (11-es program)**– Ideális a szennyezett pamut töltetekhez. A 40 C-os mosáséhoz mérhető, akár hideg mosás mellett is elérhető jó teljesítményt egy rendszeres időközönként ismétlődő sebességcsúcsokkal jellemezhető, változó sebességű mechanikus mozgás biztosítja.

**Eco Műszálás (12-es program)**– Ideális a közepesen szennyezett vegyes töltetekhez (pamut és műszálás). Az akár hideg mosás mellett is elérhető jó mosási teljesítményt egy adott hosszúságú közepes szünetekkel megszakított, változó sebességű mechanikus mozgás biztosítja.

**Wash&Dry 45' (13-es program)** enyhén koszos ruhadarabok rövid idő alatt történő kimosására lett kifejlesztve. E ciklussal akár 1 kg mosandó ruhát is ki lehet mosni mindössze 45 perc alatt. A legjobb eredmény elérése érdekében használjon folyékony mosószert. A mandzsettákat, gallérokat és foltokat kezelje elő.

**AirFresh (14-es program)** ideális ciklus a pamut és szintetikus ruhaneműk (max. 1,5kg) frissítésére és a kellemetlen szagok, elsősorban cigarettafüst eltávolítására 30 perc alatt mosási fázis nélkül.

Előfordulhat, hogy a mosógép nem működik. Mielőtt felhívna a szervizt (lásd „Szerviz”), ellenőrizze, hogy nem olyan problémáról van-e szó, amely a következő lista segítségével egyszerűen megoldható!

## Rendellenességek:

**A mosógép nem kapcsol be.**

## Lehetséges okok / megoldás:

- A hálózati csatlakozódugó nincs bedugva az aljzatba, vagy nem eléggé ahhoz, hogy jól érintkezzen.
- Nincs áram a lakásban.

**A mosási ciklus nem indul el.**

- A mosógép ajtaja nincs jól bezárva.
- Nem nyomta meg a ON/OFF gombot.
- Nem nyomta meg az START/PAUSE gombot.
- A vízcsap nincs nyitva.

**A mosógép nem kap vizet (az első mosási fázis jelzőlámpája gyorsan villog).**

- A vízbevezető cső nincs csatlakoztatva a csaphoz.
- A cső meg van törve.
- A vízcsap nincs nyitva.
- A lakásban nincs víz.
- Nincs elegendő nyomás.
- Nem nyomta meg az START/PAUSE gombot.

**A mosógép folytonosan szívja, és üríti a vizet.**

- A leeresztőcső nem a padlószinttől 65 és 100 cm közötti magasságban van felszerelve (lásd „Üzembe helyezés”).
- A leeresztőcső vége vízbe merül (lásd „Üzembe helyezés”).
- A fali szifonnak nincs szellőzése.

Ha ezen vizsgálatok után a probléma nem oldódik meg, zárja el a vízcsapot, kapcsolja ki a mosógépet, és hívja ki a szervizszolgálatot. Ha a lakás egy épület legfelsőbb emeleteinek egyikén található, lehetséges, hogy a csatornaszellőző eltömődésének jelensége (szivornyahatás) lépett fel, ezért a mosógép folytonosan szívja, és leereszti a vizet. E kellemetlenség elkerülésére a kereskedelmi forgalomban rendelkezésre állnak csatornaszellőző-szelepek.

**A mosógép nem üríti le a vizet, vagy nem centrifugál.**

- A program nem ereszti le a vizet: néhány programnál a vizet kézzel kell leereszteni.
- A leeresztőcső meg van törve (lásd „Üzembe helyezés”).
- A lefolyó el van dugulva.

**A mosógép nagyon rázkódik a centrifugálás alatt.**

- Az üzembe helyezéskor a forgódob rögzítése nem lett eltávolítva (lásd „Üzembe helyezés”).
- A készülék nincs vízszintben (lásd „Üzembe helyezés”).
- A mosógép bútorok és falak közé van szorítva (lásd „Üzembe helyezés”).

**A mosógépből elfolyik a víz.**

- A vízbevezető cső nincs jól felcsavarva (lásd „Üzembe helyezés”).
- A mosószer-adagoló fiók eltömődött (tisztításához lásd „Karbantartás és ápolás”).
- A leeresztőcső nincs szorosan rögzítve (lásd „Üzembe helyezés”).

**Az „funkció” lámpák és az „START/PAUSE” lámpa villog, az egyik „folyamatban lévő fázis” lámpa és az „ajtózár” lámpa állandó fénnel világít.**

- Kapcsolja ki a készüléket, és húzza ki a dugót a konnektorból, várjon körülbelül 1 percet, majd indítsa újra!  
Ha a hiba továbbra is fennáll, forduljon a szervizhez!

**Sok hab képződik.**

- A mosószer nem mosógépekhez való (kell, hogy szerepeljen rajta, hogy „gépi”, „kézi vagy gépi mosáshoz”, vagy hasonló).
- Túl sok mosószert használt.

**Nem kapcsolja be a Push&Wash+Dry opciót.**

- A készülék bekapcsolása után a Push&Wash+Dry vezérléstől eltérő opció lett bekapcsolva. Kapcsolja ki a mosógépet, majd nyomja meg a Push&Wash+Dry gombot.

**A Mosógép nem szárít.**

- A hálózati csatlakozódugó nincs bedugva az aljzatba, vagy nem eléggé ahhoz, hogy jól érintkezzen.
- Nincs áram a lakásban.
- Az ajtó nincs jól becsukva.
- Egyik szárítás-jelzőlámpa sem világít.

# Szerviz

---

HU

## **Mielőtt a szervizhez fordulna:**


- Győződjön meg arról, hogy a hibát nem tudja saját maga is elhárítani (lásd „*Rendellenességek és elhárításuk*”);
- Indítsa újra a programot, hogy lássa, elhárította-e a hibát;
- Ellenkező esetben forduljon az engedéllyel rendelkező szakszervizhez a garanciajegyen található telefonszámon.

! Soha ne forduljon engedéllyel nem rendelkező szerelőhöz!

## **Közölje:**

- a meghibásodás jellegét;
- a mosógép típusát (Mod.);
- a gyártási számot (S/N).

Ezek az adatok a mosógép hátoldalán, illetve az elülső oldalon az ajtó belsején elhelyezett adattáblán található.

!  Този символ ви напомня да прочетете настоящата книжка с инструкции.

BG

BG

Български

XWDA 751680

### Съдържание

#### Монтиране, 38-39

Разопаковане и нивелиране  
Свързване към водопровода и електрозахранването  
Първи цикъл на пране  
Технически данни

#### Поддръжка и почистване, 40

Спиране на водата и изключване на електрозахранването  
Почистване на пералната машина  
Почистване на чекмеджето за перилните препарати  
Поддръжка на люка и на барабана  
Почистване на помпата  
Проверка на маркуча за студената вода

#### Мерки за безопасност и препоръки, 41

Общи мерки за безопасност  
Система за измерване на тежестта на товара  
Рециклиране

#### Описание на пералната машина и пускането на дадена програма, 42-43

Табло за управление  
Светлинни индикатори  
Включване на програма

#### Програми, 44

Push&Wash+Dry  
Таблица с програмите

#### Персонализираня, 45

Задаване на температурата  
Задаване на сушенето  
измийте опции

#### Перилни препарати и дрехи за пране, 46

Чекмедже за перилни препарати  
Цикъл на избелване  
Разпределяне на дрехите за пране  
Специални програми

#### Проблеми и мерки за отстраняването им, 47

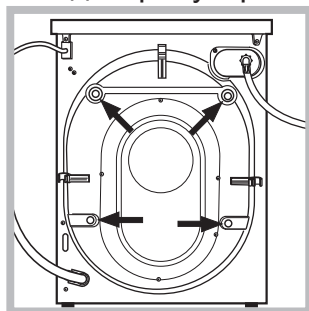
#### Сервизно обслужване, 48

! Важно е да съхранявате тези инструкции, за да можете да правите допълнителни справки по всяко време. В случай че пералната машина бъде продадена, преотстъпена и или преместена, трябва да се погрижите инструкциите винаги да я придружават, за да се предостави на новия собственик информация за работата на уреда и съответните предупреждения. ! Прочетете внимателно инструкциите: те съдържат важна информация за монтажа, използването и безопасността.

## Разопаковане и нивелиране

### Разопаковане

1. Разопакувайте пералната машина.
2. Проверете дали пералната машина не е повредена при транспортирането. Ако е повредена, не я свързвайте, а се обърнете към дистрибутора.

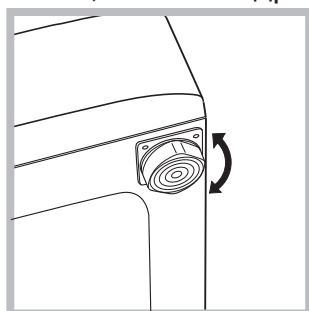


3. Отстранете 4-те защитни винта за предпазване при превоза и гумираната опаковка със съответния раздалечител, намиращи се в задната част (вижте фигурата).

4. Затворете отворите с предоставените пластмасови капачки.
5. Съхранете всички части: целта е да се монтира отново при необходимост пералната машина да бъде транспортирана. ! Опаковъчният материал не е играчка за деца.

### Нивелиране

1. Монтирайте пералната машина на равен и твърд под, без да я опирате в стени, мебели и др.



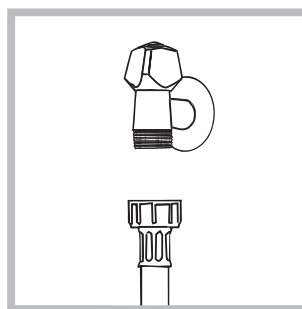
повърхност, не трябва да надвишава 2°.

2. Ако подът не е идеално равен, компенсирате неравностите, като отвиете или завиете предните крачета (вижте фигурата). Ъгълът на наклона, измерен върху работната

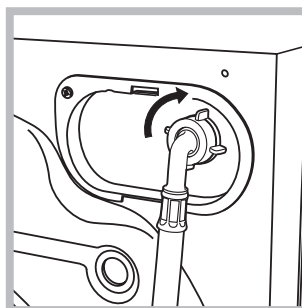
Точното нивелиране позволява машината да бъде стабилна и да се избягват вибрациите, шумът и преместването ѝ по време на работа. Когато настилката е мокет или килим, регулирайте така крачетата, че под пералната машина да остане достатъчно място за вентилация.

## Свързване към водопровода и електрозахранването

### Свързване на маркуча към водопроводната мрежа



1. Свържете захранващия маркуч, като го завиете към крана за студената вода с накрайник с газова резба 3/4 (вижте фигурата). Преди да го свържете, източете водата, докато се избистри.



2. Свържете маркуча за студената вода към пералната машина, като го завиете към специалния щуцер, разположен от задната страна, горе вдясно (вижте фигурата).

3. Внимавайте маркучът да не се прегъва и притиска.

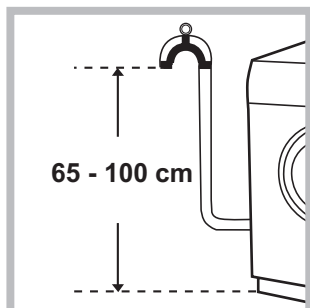
! Налягането по водопроводната мрежа трябва да бъде в границите, указани в таблицата "Технически данни" (вижте следващата страница).

! Ако дължината на захранващия маркуч не е достатъчна, обърнете се към специализиран магазин или към упълномощен техник.

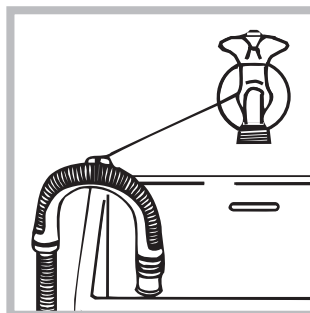
! Никога не използвайте вече употребяван маркуч.

! Използвайте тези, което са доставени с пералната машина.

### Свързване на маркуча за мръсната вода



Свържете маркуча за мръсната вода, без да го прегъвате, към канализационната тръба или към тръбата за отвеждане в стената, разположени на височина от пода между 65 и 100 см;



или го подпрете в края на мивката, или на ваната, като вържете водача за крана (вижте фигурата). Свободният край на маркуча за мръсната вода не трябва да бъде потопен във вода. ! Не се препоръчва

използването на удължаващи маркучи. Ако е необходимо, удължителят трябва да има същия диаметър като оригиналния маркуч и да не надвишава 150 см.

### Свързване към електрическата мрежа

Преди да свържете щепсела в контакта, проверете дали:

- контактът е заземен съгласно действащите стандарти;
- контактът може да поеме максималната мощност на натоварване на машината, указана в таблицата с техническите данни (вижте следващата страница);
- захранващото напрежение е в границите на указаното в таблицата с технически данни (вижте следващата страница);
- контактът отговаря на щепсела на пералната машина. В противен случай заменете щепсела или контакта.

! Пералната машина не се монтира на открито, дори под навес, защото е много опасно да се остави на влиянието на атмосферните условия.

! Електрическият контакт на монтираната перална машина трябва да бъде леснодостъпен.

! Не използвайте удължители или разклонители.


! Кабелът не трябва да бъде огънат или сплескан.

! Захранващият кабел трябва да се подменя само от упълномощени техници. Внимание! Фирмата отхвърля всякаква отговорност в случаите, в които тези норми не се спазват.

### Първи цикъл на пране

След инсталиране и преди употреба включете един цикъл на изпиране с перилен препарат, но без дрехи, задавайки програма „Автоматично почистване“ (вижте *Почистване на пералната машина*).

### Технически данни

<b>Модел</b>	XWDA 751680	
<b>Размери</b>	ширина	59,5 см
	височина	85 см
	дълбочина	54 см
<b>Вместимост</b>	От 1 до 7 кг за пране От 1 до 5 кг за сушене	
<b>Електрическо захранване</b>	Виж табелката с характеристиките, поставена на машината	
<b>Захранване с вода</b>	максимално налягане 1 MPa (10 bar) минимално налягане 0,05 MPa (0,5 bar) обем на казана 52 литра	
<b>Скорост на центрофугата</b>	до 1600 оборота/минута	
<b>Изпитвателни програми съгласно Директива EN 50229</b>	<p><b>Пране:</b> програма 8; температура 60°; извършена с 7 кг пране.</p> <p><b>Сушене:</b> изсушаването на по-малкото количество (2kg) пране трябва да се извърши, като се избере степен на сушене "☁", бельото за пране трябва да се състои от 2 чаршафа, 1 калъфки и 2 хавлиени кърпи. Изсушаването на останалото пране трябва да се извърши, като се избере степен на сушене "☁".</p>	
 	Пералната машина съответства на следните Европейски директиви: - 2004/108/CE (за електромагнитна съвместимост) - 2012/19/EU - 2006/95/CE (за ниско напрежение)	

# Поддръжка и почистване

BG

## Спиране на водата и изключване на електрозахранването

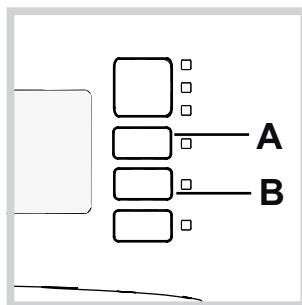
- Затваряйте крана за вода след всяко изпиране. По този начин се ограничава износването на хидравличната инсталация на пералната машина и се ограничава опасността от течове.
- Изключвайте щепсела от електрическото захранване, когато почиствате пералната машина и по време на работи по поддръжката.

## Почистване на пералната машина

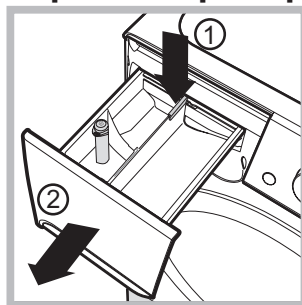
- Външната част и гумените части може да се почистват с кърпа с хладка вода и сапун. Не използвайте разтворители или абразивни препарати.
- Пералнята разполага с програма за „Автоматично почистване“ на вътрешните части, което трябва да се извършва **при абсолютно празен барабан**.

Прахът за пране (10% от препоръчаното количество за слабо замърсено пране) или специални допълнителни препарати за почистване на пералнята може да се ползват в добавка към програмата за изпиране. Препоръчва се пускането на програмата за почистване на всеки 40 изпиралия. За да задействате програмата, натиснете едновременно бутони **A** и **B** за 5 сек (вижте фигурата).

Програмата ще се активира автоматично и ще продължи около 70 минути. За да спрете цикъла, натиснете бутона START/PAUSE.



## Почистване на чекмеджето за перилни препарати



За изваждане на чекмеджето натиснете лост (1) и го издърпайте навън (2) (вижте фигурата). Измийте го под течаща вода. Това почистване трябва да се извършва често.

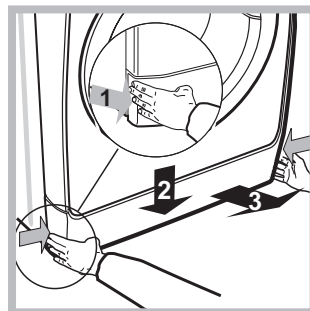
## Поддръжка на люка и на барабана

- Оставете люка винаги открит за избягване образуването на неприятни миризми.

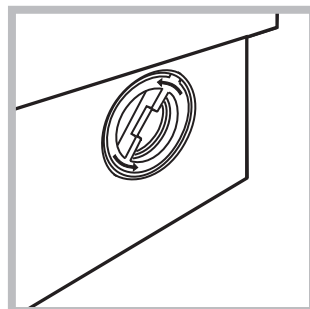
## Почистване на помпата

Пералната машина е комплектована със самопочистваща се помпа, която няма нужда от поддръжка. Възможно е обаче малки предмети като монети и копчета да попаднат във филтъра, който предпазва помпата и се намира в долната ѝ част. ! Уверете се, че цикълът на пране е завършил и изключете щепсела от контакта.

За достъп до филтъра:



1. свалете покривния панел от предната страна на пералната машина, като натискате в посока към центъра, след това го избутайте от двете страни надолу и го извадете (вижте фигурите).



2. отвийте капачката, като я завъртите в посока, обратна на часовниковата стрелка (вижте фигурата): нормално е да изтече малко вода;

3. почистете внимателно отвътре;
4. завийте отново капачката;
5. монтирайте отново панела, като, преди да го избутате към пералнята, се уверете, че сте поставили правилно закрепващите куки в специалните водачи.

## Проверка на маркуча за студената вода

Проверявайте маркуча за студената вода поне веднъж годишно. Трябва да се подмени, ако е напукан и нацепен, защото по време на изпиране голямото налягане може да предизвика внезапно спукване. ! Никога не използвайте вече употребяван маркуч.



! Пералната машина е проектирана и произведена в съответствие с международните норми за безопасност. Предупрежденията тук са продиктувани от съображения за безопасност и трябва да се четат внимателно.

## Общи мерки за безопасност

- Този уред е предназначен изключително за домашна употреба.
- Този уред може да бъде използван от деца над 8 години и лица с ограничени физически, сетивни или умствени способности, или с недостатъчен опит и познания, ако те са наблюдавани или инструктирани относно използването на уреда от лице, отговорно за тяхната безопасност и разбират опасностите, свързани с употребата на уреда. Децата не трябва да си играят с уреда. Поддръжката и почистването не трябва да се извършват от деца без надзор.
  - Не сушете неизпрани дрехи.
  - Преди сушене на дрехи, замърсени с готварско олио, ацетон, алкохол, бензин, керосин, препарати за почистване на петна, терпентин, восък и съставки за почистването му, те трябва да бъдат изпрани в топла вода с по-голямо количество перилен препарат.
  - Предмети като експандирана гума (латексова пяна), шапки за баня, текстилни непромокаеми материали, едностранно гумирани артикули и дрехи или възглавници с части от латексова пяна не трябва да се сушат в сушилнята.
  - Използването на омекотители или подобни препарати трябва да се извършва в съответствие с инструкциите на производителя.
  - Краят на цикъла на сушене се изпълнява без нагриване (цикъл на охлаждане), за да се гарантира, че дрехите няма да се повредят.
- **ВНИМАНИЕ:** Никога не спирайте сушилнята преди края на програмата за сушене. В такъв случай бързо извадете всички дрехи и ги прострете, за да се охладят бързо.
- Не докосвайте машината, когато сте боси или с мокри или влажни ръце или крака.
- Изключвайте от контакта, като хващате за щепсела, а не като дърпате кабела.
- Не докосвайте маркуча за мръсната вода, защото може да достигне високи температури.
- Никога не отваряйте люка със сила: защото може да се повреди механизмът за безопасност, който предпазва от случайно отваряне.

- В случай на повреда по никакъв повод не достигайте до вътрешните механизми в опити за ремонт.
- Винаги контролирайте децата да не се доближават до работещата машина.
- Преместването да се извършва внимателно от двама или трима души. Никога от сам човек, защото пералната машина тежи много.
- Преди да заредите машината, проверете дали барабанът е празен.
- По време на сушенето, люка се нагрива.
- Не сушете дрехи които са чистени с запалими разтворители (напр. трихлоретилен).
- Не сушете дрехи, съдържащи гума или други еластомери.
- Проверявайте крана за вода да е винаги отворен при сушене.
- Децата под 3-годишна възраст трябва да бъдат държани далеч от сушилнята, ако не са под постоянен надзор.
- Извадете всички предмети, като запалки и кибрити, от джобовете.

## Система за измерване на тежестта на товара

Преди всяко центрофугиране, с цел избягване на прекалени вибрации и за да се получи равномерно разпределяне на товара, барабанът се завърта със скорост, малко по-висока от тази при пране. Ако след направените последователни опити товарът все още не е правилно разпределен, машината извършва центрофугиране при скорост, по-ниска от предвидената. При наличие на прекален дисбаланс пералнята извършва разпределението вместо центрофугата. За улесняване на по-доброто разпределение на товара и правилното му балансиране се препоръчва да се смесват дрехи за пране с големи и малки размери.

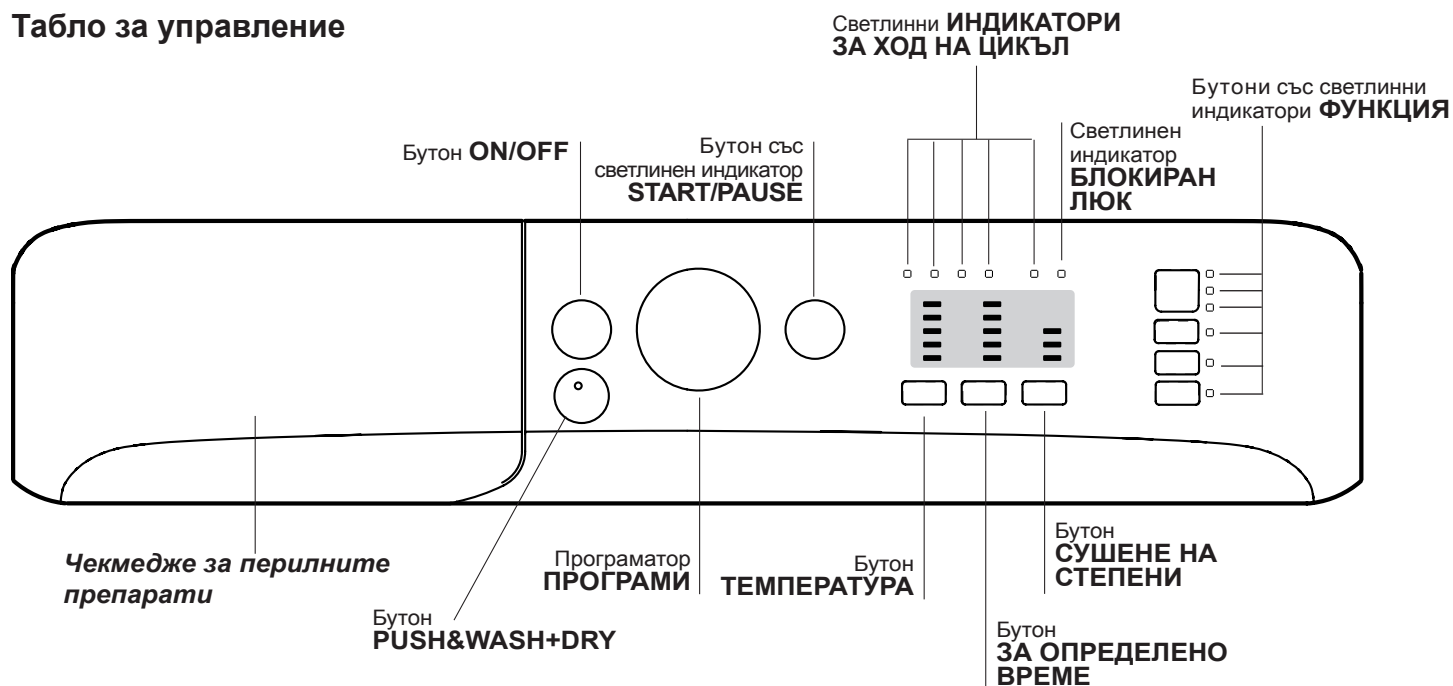
## Рециклиране

- Унищожаване на опаковъчния материал: спазвайте местните норми – по този начин опаковъчният материал може да се рециклира.
- Европейската директива 2012/19/EU за отпадъците от електрическо и електронно оборудване предвижда домакинските електроуреди да не се изхвърлят заедно с обичайните твърди градски отпадъци. Извадените от употреба уреди трябва да бъдат събирани отделно с цел да бъде увеличен делът на подлежащите на повторна употреба и рециклиране материали, от които са направени, както и да бъдат избегнати евентуални вреди за здравето и околната среда. Символът със зачеркнатия контейнер е поставен върху всички продукти, за да напомня за задължителното разделно събиране. За по-нататъшна информация относно правилното извеждане от употреба на домакинските електроуреди се обърнете към предназначената за това обществена служба или към дистрибуторите.

# Описание на пералната машина и пускането на дадена програма

BG

## Табло за управление



**Чекмедже за перилните препарати:** за дозиране на перилните препарати и добавките (вж. "Перилни препарати и дрехи за пране").

**Бутон ON/OFF:** за включване и изключване на пералнята.

**Бутон PUSH&WASH+DRY:** (вжте "Програми").

**Програматор ПРОГРАМИ:** за задаване на програмите. По време на изпълнение на програмата ключът остава неподвижен.

**Бутони със светлинни индикатори ФУНКЦИЯ:** за селектиране на възможните функции. Светлинният индикатор за избраната функция ще продължи да свети.

**Бутон TEMПЕРАТУРА:** за задаване на температура или пране със студена вода (вж. "Персонализираня").

**Бутон СУШЕНЕ ЗА ОПРЕДЕЛЕНО ВРЕМЕ:** натиснете, за да изберете желаната продължителност на сушенето; избраната продължителност на сушенето бива посочена от разположените в близост индикатори.

**Бутон СУШЕНЕ НА СТЕПЕНИ:** натиснете, за да изберете желаната степен на сушенето; избраната степен на сушене бива посочена от разположените в близост индикатори.

**Светлинни ИНДИКАТОРИ ЗА ХОД НА ЦИКЪЛ:** за да следвате хода на изпълнение на програмата за пране. Включеният светлинен индикатор показва, че се извършва определена фаза от цикъла.

**Светлинен индикатор БЛОКИРАН ЛЮК:** за да се разбере дали люкът може да се отвори (вж. съседната страница).

**Бутон със светлинен индикатор START/PAUSE:** за стартиране на програмите или временното им прекъсване.  
**Забележка:** за задаване на пауза в прането натиснете отново бутона - индикаторът ще мига с оранжева светлина, докато светлинният индикатор, указващ изпълнение на фаза, ще свети непрекъснато. Ако светлинният индикатор БЛОКИРАН ЛЮК  е угаснал, ще може да се отвори вратата на люка (изчакайте около 3 минути).  
За продължаване на цикъла пране от мястото, в което е бил прекъснат, натиснете отново този бутон.

### Режим на stand by

В съответствие с новите нормативи за пестене на енергия тази перална машина е снабдена със система за автоматично изключване (stand by), която се задейства след 30 минути в случай, че машината не се използва. Натиснете за кратко бутон ON/OFF и изчакайте машината да се задейства отново.

*Потребление в режим „Off“: 0,5 W*

*Потребление в режим „On“: 8 W*





## Светлинни индикатори

Следящите светлинни индикатори дават важна информация.

Ето какво казват:

### Светлинни индикатори за текущите фази

След като е избран и стартиран желаният цикъл на пране, светлинните индикатори ще светват един след друг, за да указват хода на цикъла:

Пране	
Изплакване	
Центрофуга/ Източване на водата	
Сушене	
Край на прането	<b>END</b>

### Бутони за функция и съответни светлинни индикатори

При избор на функция съответният светлинен индикатор ще светне.

Ако избраната функция не е съвместима със зададената програма, съответният светлинен индикатор ще мига и функцията няма да се активира. Ако избраната функция не е съвместима с друга предварително зададена функция, тази несъвместимост се сигнализира с мигане на светлинния индикатор и трикратно издаване на звуков сигнал, като ще се активира само втората функция и ще се освети съответният индикатор.

### Светлинен индикатор блокиран люк

Светещият индикатор показва, че люкът е блокиран, за да се предотвратят случайни отваряния; за избягване на щети е необходимо да се изчака изгасването на светлинния индикатор, преди да се отвори люкът (изчакайте около 3 минути).

**Забележка:** ако е активирана функцията “Забавено включване”, люкът не може да се отвори, за отварянето му е необходимо пералната машина да се постави в пауза чрез натискане на бутон START/PAUSE.


## Включване на програма

### Бързо програмиране

- 1. ПОСТАВЯНЕ НА ДРЕХИТЕ ЗА ПРАНЕ.** Отваря се вратичката на люка. Заредете дрехите за пране, като внимавате да не превишите количеството на зареждане, посочено в таблицата с програмите на следващата страница.
- 2. ДОЗИРАНЕ НА ПЕРИЛНИЯ ПРЕПАРАТ.** Извадете чекмеджето и изсипете перилния препарат в специалните ванички, както е обяснено в “Перилни препарати и дрехи за пране”.
- 3. ЗАТВОРЕТЕ ЛЮКА.**
- 4.** Натиснете бутона „Push&Wash+Dry”, за да стартирате програмата.

### Нормално програмиране

- 1.** Включете пералната машина, като натиснете бутона ON/OFF. Всички индикатори ще се включат и ще светят в продължение на няколко секунди, след което ще продължат да светят тези на зададената програма, а индикаторът за START/PAUSE ще свети с пулсираща светлина.

- 2.** Заредете дрехите за пране и затворете люка.
- 3.** Задайте желаната програма с ключа ПРОГРАМИ.
- 4.** Задайте температурата на пране (вж. “Персонализираня”).
- 5.** Задаване на сушенето, ако е необходимо (вж. “Персонализираня”).
- 6.** Поставете перилен препарат и добавки вж. “Перилни препарати и дрехи за пране”.
- 7.** Избиране на желаните функции.
- 8.** Стартирайте програмата, като натиснете бутон START/PAUSE, съответният светлинен индикатор ще свети постоянно в зелен цвят. За да отмените зададения цикъл, поставете машината в пауза, като натиснете бутона START/PAUSE, и изберете новия цикъл.
- 9.** Когато програмата свърши, ще светне индикаторът END. Светлинният индикатор за БЛОКИРАН ЛЮК  ще угасне, указвайки, че люкът може да бъде отварян (изчакайте около 3 минути). Извадете прането и оставете люка притворен, за да изсъхне барабанът. Изключете пералнята, като натиснете бутона ON/OFF.

# Програми

BG

## Push&Wash+Dry

Тази функция позволява да се стартира автоматичен цикъл на изпиране и сушене дори и при изключена машина, без предварително натискане на бутона ON/OFF или, след включване на пералнята, без да се задейства никакъв друг бутон и/или ключ (в противен случай програмата Push&Wash+Dry ще се деактивира). Натиснете бутона в продължение на 2 секунди за стартиране на цикъла Push&Wash+Dry. Активираният светлинен индикатор сигнализира, че цикълът е стартиран. Този цикъл на пране и сушене е идеален за дрехи от памук и синтетика, като работната му температура е 30°, а максималната скорост на центрофугата е 1000 оборота в минута. По време на сушенето се достига максимална температура около 60°C. В края на програмата остатъчната влажност е в степента, подходяща за "☁". Максимално препоръчвано количество пране 2,5 кг. (Продължителност на цикъла 210').

### Как се задейства?

1. Заредете прането (дрехи от памук и/или синтетика) и затворете люка.
2. Поставете перилния препарат и/или добавките.
3. Стартирайте програмата, като натиснете и задържите за 2 секунди бутона Push&Wash+Dry. Съответният индикатор ще се освети в зелено, а люкът ще се блокира (символът за блокиран люк свети).  
Забележка: Стартирането на програмата чрез бутона Push&Wash+Dry активира автоматичен цикъл на изпиране и изсушаване, подходящ за памук и синтетика, без възможност за допълнителни настройки.
4. Автоматичната програма може да се използва само за изпиране, като се изключи изсушаването. След натискането на бутона Push&Wash+Dry, натиснете бутона за сушене ☁; иконата за изсушаване до степен, подходяща за "☁", изгасва. Максималното количество пране само за изпиране е 3,5 кг (Продължителност на цикъла 50'). Не е възможно да се добавят допълнителни настройки към програмата.  
За да отворите люка по време на автоматичния цикъл на пране, натиснете бутона START/PAUSE; ако символът за блокиран люк не свети, ще бъде възможно да отворите люка извънредно по време на фазата на изпиране. Натиснете отново бутона START/PAUSE, за да продължи програмата от мястото, на което е била прекъсната.
5. Когато програмата завърши, се осветява индикаторът END.

## Таблица с програмите

Програми	Описание на програмата	Макс. темп. (°C)	Макс. скорост (обороти в минута)	Сушене	Максимално тегло за сушене(Kg)	Перилни препарати и добавки				Максимално тегло за пране (Kg)	Времетраене на цикъл на изпиране
						Предпране	Основно пране	Омекотител	Белина		
<b>Специални</b>											
1	<b>Sport</b>	30°	600	●	3	-	●	●	-	3,5	55'
2	<b>Тъмни</b>	30°	800	●	2,5	-	●	●	-	4	70'
3	<b>Премахване на миризми (Памук)</b>	60°	1000	●	3,5	-	●	●	-	3,5	110'
3	<b>Премахване на миризми (Синтетични)</b>	40°	1000	●	3	-	●	●	-	3,5	100'
4	<b>Деликатно пране</b>	30°	0	●	1	-	●	●	-	1	80'
5	<b>Вълнени тъкани:</b> за вълна, кашмир и т.н.	40°	800	●	1,5	-	●	●	-	1,5	70'
6	<b>Бързо пране 30'</b>	30°	800	●	3	-	●	●	-	3	30'
<b>Standard</b>											
7	<b>Памук с предпране Бели:</b> изключително замърсени.	90°	1600	●	5	●	●	●	-	7	170'
8	<b>Стандартна програма за памук при 60° (1):</b> бели и цветни, устойчиви, силно замърсени.	60° (Max. 90°)	1600	●	5	-	●	●	●	7	170'
9	<b>Синтетични:</b> цветни, устойчиви, силно замърсени.	60°	800	●	3	-	●	●	●	3,5	110'
10	<b>Цветни (2)</b>	40°	1600	●	5	-	●	●	●	7	100'
11	<b>Есо памук 20°:</b> бели и цветни, деликатни, силно замърсени.	20°	1600	●	5	-	●	●	●	7	170'
12	<b>Есо Синтетични</b>	20°	800	●	5	-	●	●	●	7	120'
<b>автоматичен</b>											
13	<b>Пране &amp; Сушене 45'</b>	30°	1600	●	1	-	●	●	-	1	45'
14	<b>AirFresh</b>	-	-	●	1,5	-	-	-	-	-	30'
<b>Частични</b>											
	Изплакване/Белина	-	1600	●	5	-	-	●	●	7	50'
	Центрофуга + Източване на водата	-	1600	●	5	-	-	-	-	7	10'

Продължителността на цикъла, показана на дисплея или посочена в ръководството, е приблизително изчислена въз основа на стандартните условия. Реалното времетраене може да варира в зависимост от множество фактори като температура и налягане на водата при пълнене, температура на въздуха в помещението, количество перилен препарат, количество, вид и тегло на прането, допълнително избрани опции.

За всички Test Institutes:

- 1) Програма за проверка съгласно стандарт EN 50229: задайте програма 8 с температура 60°C.
- 2) Дълга програма за памук; задайте програма 10 с температура 40°C.

## Задаване на температурата

Натискайки бутон **ТЕМПЕРАТУРА**, се задава температурата на пране (вж. Таблица на програмите).

Температурата може да се понижи до пране със студена вода (\*). Пералнята автоматично ще попречи да се зададе температура, която е по-висока от максималната температура, предвидена за всяка програма.

! Изключение: с избиране на програма 8 температурата може да се повиши до 90°.

## Задаване на сушенето

Предвидени са два вида сушене - за **определено време** и на **степени**.

С натискането на бутон **СУШЕНЕ ЗА ОПРЕДЕЛЕНО ВРЕМЕ** се настройва желаното времетраене на сушенето: **40' - 90' - 120' - 150' - 180'**.

На първото натискане на бутон избраното времетраене ще бъде минималното, позволено за заложената програма. Когато пералнята е започнала фазата на сушене, след повторно натискане на бутон **СУШЕНЕ ЗА ОПРЕДЕЛЕНО ВРЕМЕ**, може да бъде намалена предварително зададената продължителност на изсушаване. Светлинните индикатори ще покажат новото избрано времетраене на сушенето, като оставащото време за сушене ще отчете вече изминалото.

С натискането на бутон **СУШЕНЕ ЗА ОПРЕДЕЛЕНО ВРЕМЕ** се настройва желаното времетраене на сушенето:

**За шкафа** : подходящо сушене за дрехи, които ще се приберат направо в гардероба, без да се гладят.

**Окачване** : идеално сушене за дрехи, които не изискват пълно изсушаване.

**Гладене** : Препоръчва се за дрехи, които по-късно ще се гладят. По-голямата степен на влажност омекотява гънките и улеснява тяхното отстраняване.

Ако по изключение прането, което трябва да бъде изпрано и изсушено, надхвърля предвиденото максимално количество, извършете изпирането и след като програмата е завършила, разделете прането и върнете една част в барабана. На този етап следвайте указанията за извършване на **"Само сушене"**. Повторете същите операции за останалата част от прането. След края на сушенето винаги следва период на охлаждане.

**Забележка:** Ако всички светлинни индикатори за сушене са изключени, това означава, че машината **няма** да извърши сушене.

## Само сушене

Натиснете бутон , за да се извърши само сушене. След като изберете желаната програма, съвместима със съответния вид пране, при натискането на бутон се изключва фазата на изпиране и се активира сушенето при максималната степен, предвидена за избраната програма. Степента или времетраенето на сушене могат да се променят и настройват с натискането на бутоните за сушене , , , . (Не е съвместимо с програми 13 и 14).

## ИЗМИЙТЕ ОПЦИИ

Допълните функции за пране, предвидени в пералната машина, дават възможност за постигане на желаното бяло и чисто пране:

За активиране на възможните функции;

- натиснете бутон, съответстващ на желаната функция;
- светването на съответния индикатор показва, че функцията е избрана.

## Бележка:

- Ако избраната функция не е съвместима със зададената програма, съответният светлинен индикатор ще мига и функцията няма да се активира.
- Ако избраната функция не е съвместима с друга предварително зададена функция, тази несъвместимост се сигнализира с мигане на светлинния индикатор и трикратно издаване на звуков сигнал, като ще се активира само втората функция и ще се освети съответният индикатор

## Петна

Тази функция позволява чрез избор на вида замърсяване цикълът да се настрои по най-подходящ начин за отстраняване на петната. Видовете замърсявания са:

- **Храна** – например при петна от храни и напитки.
- **Работа** – например при петна от смазки и мастило.
- **На открито** – например при петна от кал и трева.

! Продължителността на цикъла за пране се променя в зависимост от избрания вид замърсяване.

С натискането на този бутон се намалява скоростта на центрофугата.

## Допълнително изплакване

С избора на тази опция се увеличава ефикасността на изплакването и се гарантира максимално отстраняване на перилния препарат. Подходяща е за особено чувствителна кожа.

Таблица с време за изсушаване (Указателни стойности)

Вид тъкан	Тип на прането	Максимални кг.	За шкафа	Окачване	Гладене
Памук	Дрехи с различни размери, Хавлиени кърпи	5	250	210	190
Синтетични	Хавлиени кърпи, Чаршафи, фанели	3	180	130	115
Вълна	пуловери и др	1,5	155	135	115

# Перилни препарати и дрехи за пране

BG

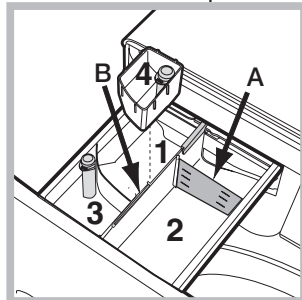
## Чекмедже за перилни препарати

Добрият резултат от прането зависи и от правилното дозиране на перилните препарати. С предозирване не се пере по-ефективно, а това води до отлагане на налепи по вътрешната страна на пералната машина и до замърсяване на околната среда.

! Не използвайте препарати за ръчно пране, защото образуват много пяна.

! Използвайте прахообразни перилни препарати за бели памучни тъкани за предпране и за пране при температура над 60°C.

! Уверете се, че следват указанията, посочени върху опаковката на перилния препарат.



Изтеглете чекмеджето за перилни препарати и изсипете праха за пране и допълните препарати по следния начин.

### Отделение 1: Препарат за предпране (на прах)

Преди да изсипете препарата, проверете дали не е поставена допълнителната ваничка 4.

### Отделение 2: Препарат за пране (на прах или течен)

При употребата на течен препарат за пране се препоръчва да се използва разделителят от комплекта **A** с цел правилно дозиране. В случай на употреба на прах за пране върнете разделителя в отделение **B**.

### Отделение 3: Допълнителни препарати (омекотител и др.)

Омекотителят не трябва да надвишава нивото, означено с „max“ на централния палец.

допълнителна ваничка 4: Белина

## Цикъл на избелване

Поставете допълнително доставената ваничка 4 в отделение 1. При дозиране на белината не трябва да се надвишава нивото, означено с „max“ на централния палец. За извършване на избелването, налейте необходимото количество белина в допълнителната ваничка 4 и изберете програмата

! Обикновената белина се използва за устойчиви бели тъкани, а деликатната белина за цветни, синтетични и вълнени тъкани.

## Разпределяне на дрехите за пране

- Разпределете прането съобразно:
  - типа на тъканите/символа върху етикета.
  - цветовете: отделете цветните от белите дрехи.
- Изпразнете джобовете и проверете копчетата.
- Не надвишавайте указните стойности за теглото на сухото пране: вижте *“Таблица с програмите”*.

### Колко тежат дрехите за пране?

- 1 чаршаф 400-500 г
- 1 калъфка 150-200 г
- 1 покривка 400-500 г
- 1 хавлия 900-1200 г
- 1 кърпа 150-250 г

## Специални програми

**Sport** (програмата 1) е разработена за пране на слабо замърсено спортно облекло (анцузи, шорти и др.); за постигане на по-добри резултати се препоръчва да не се надвишава максималното натоварване, указано в *“Таблица с програмите”*. Препоръчва се да се използва течен перилен препарат в доза за половин зареждане.

**Тъмни:** използвайте програмата 2 за прането в тъмни цветове. Програмата е предназначена за запазване на тъмните цветове във времето. За по-добри резултати се препоръчва ползването на течен перилен препарат, за предпочитане при дрехите в тъмни цветове.

При избор на функцията сушене, в края на прането, автоматично се включва деликатно сушене, което съхранява цветовете на дрехите. Дисплеят ще визуализира надпис . Зареждане Макс: 2,5 kg.

**Премахване на миризми:** използвайте програма 3 за изпиране на облекло с цел премахване на неприятни миризми (напр. цигарен дим, пот, пържено). Програмата е разработена за премахване на лошите миризми, като предпазва нишките на тъканите. Препоръчително е дрехите от синтетика или смесените облекла да се перат на 40°, а на 60° – тъканите от устойчив памук.

**Деликатно пране:** използвайте програма 4 за изпиране на особено деликатно облекло. Препоръчително е облеклото да се обърне с вътрешната страна навън, преди да бъде изпрано. За по-добри резултати се препоръчва използването на течен перилен препарат за деликатни тъкани.

Ако настроите функцията сушене само по време, след изпирането прането се изсушава по особено щадящ начин с помощта на леко раздвижване и въздушна струя с подходящо регулирана температура.

Препоръчваната продължителност е:

- 1 кг синтетична тъкан – 150 мин
- 1 кг синтетична и памучна тъкан – 180 мин
- 1 кг памучна тъкан – 180 мин

Степента на изсушаване ще е в зависимост от количеството пране и състава на тъканите.

**Вълнени тъкани:** цикълът на изпиране „Вълна“ на тази перална е тестван и одобрен от компанията Woolmark за пране на тъкани, съдържащи вълна, определени като „подходящи за изпиране на ръка“, при условие че се спазват инструкциите от етикета на дрехата и указанията на производителя на пералнята. (M1126)



**Бързо пране 30'** (програмата 6) този цикъл е разработен за изпиране на слабо замърсено облекло (без вълна и коприна) с максимално тегло 3 кг за кратко време. Продължава само 30' и по този начин пести енергия и време.

**Цветни:** използвайте цикъла 10 за прането в светли цветове. Програмата е разработена с цел продължителното запазване на тъмните цветове на тъканите.

**Есо памук 20°** (програмата 11) е идеална за замърсено пране от памучна тъкан. Добрите резултати включително при изпиране със студена вода, в сравнение с тези след пране при 40°, са гарантирани от механичното действие с промяна на скоростта, многократно и често достигащо до пикови стойности.

**Есо Синтетични** (програмата 12) е идеална за средно замърсено смесено пране (памук и синтетика). Добрите резултати, включително при изпиране със студена вода, са гарантирани от механичното действие с промяна на скоростта на определени интервали с не голяма продължителност.

**Пране&Сушене 45'** (програмата 13): е създадена за пране и сушене на леко замърсени дрехи за кратко време. При избор на този режим може да се изпере и изсуши пране до 1kg само за 45 минути. За постигане на оптимални резултати използвайте течен перилен препарат.

Предварително обработвайте маншетите, яките и петната.

**AirFresh** (програмата 14) е идеалният цикъл за освежаване и отстраняване на лошите миризми и по-специално на цигарения дим от дрехите от памук и синтетика (максимум 1,5 kg), за 30' без фаза на изпиране.

# Проблеми и мерки за отстраняването им

Възможно е пералната машина да откаже да работи. Преди да се обадите в сервиза за техническа поддръжка и ремонт (вж. "Сервизно обслужване"), проверете дали не става въпрос за лесно решим проблем, като си помогнете със следващия списък.

## Проблеми:

Пералната машина не се включва.

Цикълът на изпиране не започва.

Пералната машина не се пълни с вода (бързо мига светлинният индикатор за първата фаза на пране).

Пералнята непрекъснато се пълни и източва.

Пералната не се източва или не центрофугира.

Пералната вибрира много по време на центрофугиране.

Пералната има теч.

Светлинните индикатори на "опциите" и светлинният индикатор на "START/PAUSE" мигат и един от светлинните индикатори на "текуща фаза от програмата" и на "блокиран люк" светят постоянно.

Образува се твърде много пяна.

Не се задейства Push&Wash+Dry.

Пералната машина не суши.

## Възможни причини / Мерки за отстраняването им:

- Щепселът не е включен към електрически контакт или не е добре включен, за да прави контакт.
  - Нямате ток къщи.
  - Люкът не е затворен добре.
  - Бутонът ON/OFF не е бил натиснат.
  - Бутонът START/PAUSE не е бил натиснат.
  - Кранът за вода не е отворен.
  - Маркучът за студената вода не е свързан към крана.
  - Маркучът е прегънат.
  - Кранът за вода не е отворен.
  - Няма вода по водопроводната мрежа.
  - Налягането е недостатъчно.
  - Бутонът START/PAUSE не е бил натиснат.
  - Маркучът за мръсната вода не е монтиран между 65 и 100 см от земята (вж. "Монтиране").
  - Краят на маркуча за мръсната вода е потопен във вода (вж. "Монтиране").
  - Канализационната тръба в стената няма отдушник.
- Ако след тези проверки проблемът не се реши, затворете крана за водата, изключете пералната машина и позвънете в сервиза. Ако жилището ви се намира на последните етажи на сградата, налягането на студената вода може да е ниско, поради което пералната машина непрекъснато се пълни и източва. За избягване на това неудобство в търговската мрежа се предлагат подходящи възвратни клапани.
- Програмата не предвижда източване: с някои програми трябва да се извършва ръчно.
  - Маркучът за мръсната вода е притиснат (вж. "Монтиране").
  - Канализационната тръба е запушена.
  - При монтажа барабанът не е бил отблокиран правилно (вж. "Монтиране").
  - Пералната машина не е нивелирана (вж. "Монтиране").
  - Пералната машина е притисната между мебели и стена (вж. "Монтиране").
  - Маркучът за студената вода не е добре свързан (вж. "Монтиране").
  - Чекмеджето за перилните препарати е запушено (за почистването му вж. "Поддръжка и почистване").
  - Маркучът за мръсната вода не е фиксиран добре (вж. "Монтиране").
  - Изключете машината и извадете щепсела от контакта, изчакайте около 1 минута и я включете отново.  
Ако неизправността не може да се отстрани, потърсете услугите на Сервиза.
  - Перилният препарат не е за автоматична перална (трябва да има надпис "за автоматична перална", "за пране на ръка и за автоматична перална" или подобен надпис).
  - Дозирането е било твърде голямо.
  - След включване на пералната машина е задействана друга команда, различна от Push&Wash+Dry. Изключете машината и натиснете бутона Push&Wash+Dry.
  - Щепселът не е включен към електрически контакт или не е добре включен, за да прави контакт.
  - Нямате ток къщи.
  - Люкът не е добре затворен.
  - Всички светлинни индикатори за сушене са изключени.

# Сервизно обслужване

---

BG

## Преди да се свържете с техническия сервиз:

- Проверете дали можете да решите сами проблема (вж. *“Проблеми и мерки за отстраняването им”*);
- Включете отново програмата, за да проверите дали неизправността е отстранена;
- В противен случай се обърнете към оторизирания технически сервиз на телефонния номер, указан на гаранционната карта.

! Никога не ползвайте услугите на неоторизирани техници.

## Съобщете:

- типа на проблема;
- модела на машината (Mod.);
- серийния номер (S/N).


Тази информация се намира на фабричната табелка, разположена на задната страна на пералната машина и в предната част, след като се отвори люкът.



CIS

Русский

**XWDA 751680**

!  Этот символ напоминает Вам о необходимости консультации данного технического руководства.

### Содержание

#### Установка, 50-51

Распаковка и выравнивание  
Подключение к водопроводной и электрической сети  
Первый цикл стирки  
Технические данные

#### Техническое обслуживание и уход, 52

Отключение воды и электрического тока  
Уход за стиральной машиной  
Уход за распределителем моющих средств  
Уход за люком и барабаном  
Уход за насосом  
Проверка водопроводного шланга

#### Предосторожности и рекомендации, 53

Общие требования к безопасности  
Система балансировки белья  
Утилизация

#### Описание стиральной машины и порядка запуска программы, 54-55

Панель управления  
Индикаторы  
Порядок запуска программы

#### Программы, 56

Push&Wash+Dry  
Таблица программ

#### Персонализированные настройки, 57

Регулировка температуры  
Программирование сушки  
мыть варианты

#### Моющие средства и типы белья, 58

Распределитель моющих средств  
Отбеливание  
Подготовка белья  
Изделия, требующие деликатной стирки

#### Поиск неисправностей и методы их устранения, 59

#### Сервисное обслуживание, 60

Соответствие классов энергоэффективности	
Информация о классе энергоэффективности, указанная на продукте	Класс энергоэффективности в соответствии с Российским законодательством
A	A
A+	A-10% (*)
A++	A-20% (*)
A+++	A-30% (*)
A+++ -10%	A-40% (*)
A+++ -20%	A-50% (*)

(\*) на данное количество процентов показатели энергоэффективности лучше, чем у класса "А", определенного нормативными документами Российской Федерации.

# Установка

CIS

! Сохраните данное руководство. Оно должно быть в комплекте со стиральной машиной в случае продажи, передачи оборудования или при переезде на новую квартиру, чтобы новый владелец оборудования мог ознакомиться с правилами его функционирования и обслуживания.

! Внимательно прочитайте руководство: в нем содержатся важные сведения по установке и безопасной эксплуатации стиральной машины.

## Распаковка и выравнивание

### Распаковка

1. Распакуйте стиральную машину.
2. Убедитесь, что оборудование не было повреждено во время транспортировки. При обнаружении повреждений – не подключайте машину – свяжитесь с поставщиком немедленно.



3. Удалите четыре транспортировочных винта и резиновые пробки с прокладками, расположенные в задней части стиральной машины (см. рис.).

4. Закройте отверстия прилагающимися пластиковыми заглушками.
5. Сохраняйте все детали: они Вам понадобятся при последующей транспортировке стиральной машины.

! Не разрешайте детям играть с упаковочными материалами.

! Упаковка и отдельные ее элементы не предназначены для контакта с пищей.

### Выравнивание

1. Установите стиральную машину на ровном и прочном полу, так чтобы она не касалась стен, мебели и прочих предметов.



2. После установки машины на место отрегулируйте ее устойчивое положение путем вращения передних ножек (см. рис.). Для этого сначала ослабьте контргайку, после завершения регулировки контргайку затяните.

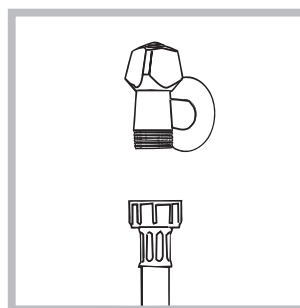
После установки машины на место проверьте по уровню горизонтальность верхней крышки корпуса, отклонение горизонтали должно быть не более 2°.

Правильное выравнивание оборудования поможет избежать шума, вибраций и смещений во время работы машины.

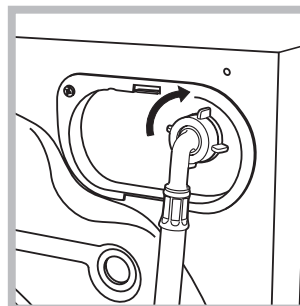
Если стиральная машина стоит на полу, покрытом ковром, убедитесь, что ее основание возвышается над ковром. В противном случае вентиляция будет затруднена или вовсе невозможна.

## Подключение к водопроводной и электрической сети

### Подсоединение заливного шланга



1. Прикрутите шланг подачи к водопроводному крану холодной воды с резьбовым отверстием 3/4 газ, (см. схему).



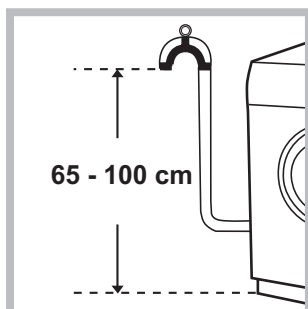
2. Подсоедините заливной шланг к стиральной машине, навинтив его на водоприемник, расположенный в задней верхней части справа (см. рис.).

3. Убедитесь, что шланг не перекручен и не пережат.

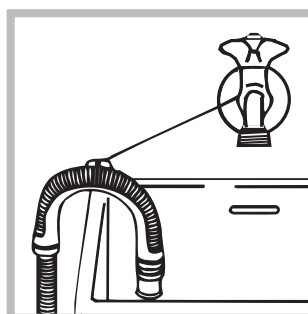
! Давление воды должно быть в пределах значений, указанных в таблице Технических характеристик.

! Если длина водопроводного шланга окажется недостаточной, обратитесь в Авторизованный сервисный центр.

! Никогда не используйте шланги, бывшие в употреблении.

**Присоединение сливного шланга**


Подсоедините сливной шланг, не сгибая его, к сливному трубопроводу или к настенному сливу, расположенному на высоте 65 – 100 см от пола.



или поместите конец шланга в раковину или в ванну, прикрепив прилагающуюся направляющую к крану (см. схему). Свободный конец сливного шланга не должен быть погружен в воду.

! Не рекомендуется использовать удлинительные шланги. При необходимости удлинение должно иметь такой же диаметр, что и оригинальный шланг, и его длина не должна превышать 150 см.

**Электрическое подключение**

Перед подсоединением штепсельной вилки изделия к сетевой розетке необходимо проверить следующее:

- сетевая розетка должна быть заземлена и соответствовать нормативам;
- сетевая розетка должна быть рассчитана на максимальную мощность стиральной машины, указанную в таблице Технические данные (см. таблицу сбоку);
- напряжение электропитания должно соответствовать значениям, указанным в таблице Технические данные (см. таблицу сбоку);
- сетевая розетка должна быть совместимой со штепсельной вилкой стиральной машины. В противном случае необходимо заменить сетевую розетку или штепсельную вилку.

! Запрещается устанавливать стиральную машину на улице, даже под навесом, так как является опасным подвергать ее воздействию дождя и грозы.

! Стиральная машина должна быть расположена таким образом, чтобы доступ к сетевой розетке оставался свободным.

! Не используйте удлинители и тройники.

! Сетевой кабель изделия не должен быть согнут или сжат.

! Замена сетевого кабеля может осуществляться только уполномоченными техниками.

Внимание! Компания-производитель снимает с себя всякую ответственность в случае несоблюдения вышеописанных правил.

**Первый цикл стирки**

По завершении установки, перед началом эксплуатации необходимо произвести один цикл стирки со стиральным порошком, но без белья, по программе «АВТООЧИСТКА» (см. “Уход за стиральной машиной”).

Технические данные	
Модель	XWDA 751680
Страна-изготовитель	Италия
Габаритные размеры	ширина 59,5 см. высота 85 см. глубина 54 см.
Вместимость	От 1 до 7 кг белья для цикла стирки От 1 до 5 кг белья для цикла сушки
Номинальное значение напряжения электропитания или диапазон напряжения	220-240 V ~
Условное обозначение рода электрического тока или номинальная частота переменного тока	50 Hz
максимальную мощность	1850 W
Класс защиты от поражения электрическим током	Класс защиты I
Водопроводное подсоединение	максимальное давление 1 МПа (10 бар) минимальное давление 0,05 МПа (0,5 бар) емкость барабана 52 литра
Скорость отжима	до 1600 оборотов в минуту
Программы управления в соответствии с Директивой EN 50229	<b>Стирка:</b> программа 8; температура 60°C; загрузка 7 кг белья. <b>Сушка:</b> сушка меньшего количества (2kg) белья производится по программе ; в загрузку белья должно входить 2 простыни, 1 наволочка и 2 полотенце; Сушка остального белья должна выполняться в режиме .
	Данное изделие соответствует следующим Директивам Европейского Сообщества: - 2004/108/CE (Электромагнитная совместимость); - 2006/95/CE (Низкое напряжение); - 2012/19/EU
	В случае необходимости получения информации по сертификатам соответствия или получения копий сертификатов соответствия на данную технику, Вы можете отправить запрос по электронному адресу cert.rus@indesit.com.
Дату производства данной техники можно получить из серийного номера, расположенного под штрих-кодом (S/N XXXXXXXXX), следующим образом	- 1-ая цифра в S/N соответствует последней цифре года, - 2-ая и 3-я цифры в S/N - порядковому номеру месяца года, - 4-ая и 5-ая цифры в S/N - день
	Степень защиты от попадания твердых частиц и влаги, обеспечиваемая защитной оболочкой, за исключением низковольтного оборудования, не имеющего защиты от влаги: <b>IPX4</b>
Класс энергопотребления	A

# Техническое обслуживание и уход

CIS

## Отключение воды и электрического тока

- Перекрывайте водопроводный кран после каждой стирки. Таким образом сокращается износ водопроводной системы машины и сокращается риск утечек.
- Выньте штепсельную вилку из электро розетки в процессе чистки и технического обслуживания стиральной машины.

## Уход за стиральной машиной

- Для чистки наружных и резиновых частей стиральной машины используйте тряпку, смоченную теплой водой с мылом. Не используйте растворители или абразивные чистящие средства.
- Стиральная машина укомплектована программой «АВТООЧИСТКА» внутренних деталей, которую необходимо **выполнять без какого-либо белья в барабане**. Стиральное вещество (в объеме 10% от рекомендуемого для очень грязного белья) или специальные добавки для чистки стиральной машины можно использовать в качестве вспомогательных в программе стирки. Рекомендуется выполнять программу чистки машины каждые 40 циклов стирки. Для запуска программы нажмите одновременно кнопки **A** и **B** на 5 сек. (см. Схему). Программа автоматически запустится и длится примерно 70 минут. Для остановки цикла нажмите кнопку START/PAUSE.



## Уход за распределителем моющих средств



Чтобы вынуть дозатор, нажмите на язычок (1) и вытащите дозатор (2) (см. рисунок). Промойте ячейку под струей воды. Эта операция должна выполняться регулярно.

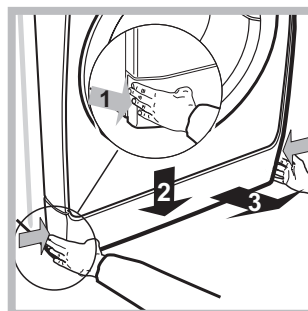
## Уход за люком и барабаном

- После использования стиральной машины всегда следует оставлять люк полуоткрытым во избежание образования неприятных запахов в барабане.

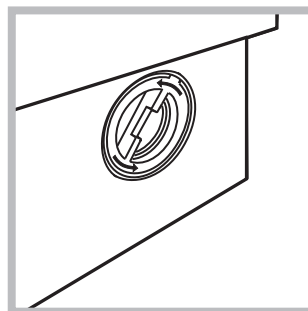
## Уход за насосом

Стиральная машина оснащена самоочищающимся насосом, не нуждающимся в техническом обслуживании. Тем не менее мелкие предметы (монеты, пуговицы) могут упасть за кожух, предохраняющий насос, расположенный в его нижней части  
! Проверьте, чтобы цикл стирки завершился, и выньте штепсельную вилку из сетевой розетки.

Для доступа к кожуху:



1. снимите переднюю панель стиральной машины, нажав в центре, затем потяните ее вниз за края и снимите ее (см. схему).



2. отвинтите крышку, повернув ее против часовой стрелки (см. схему): небольшая утечка воды является нормальным явлением;

3. тщательно прочистите внутри кожуха;
4. закрутите крышку на место;
5. установите на место переднюю панель, проверив перед ее прикреплением к машине, чтобы крюки вошли в соответствующие петли.

## Проверка водопроводного шланга

Проверяйте шланг подачи воды не реже одного раза в год. При обнаружении трещин или разрывов шланга замените его: в процессе стирки сильное давление воды в водопроводе может привести к внезапному отсоединению шланга.

! Никогда не пользуйтесь б/у шлангами.

! Стиральная машина спроектирована и изготовлена в соответствии с международными нормативами по безопасности. Необходимо внимательно прочитать настоящие предупреждения, составленные в целях вашей безопасности.

## Общие требования к безопасности

- После использования машины **обязательно** отключайте ее от сети переменного тока и закрывайте водопроводный кран.
  - Данное изделие предназначено исключительно для домашнего использования.
  - Данное изделие может быть использовано детьми старше 8 лет и лицами с ограниченными физическими, сенсорными или умственными способностями или лицами, не обладающими достаточными знаниями, без контроля опытных лиц или без предварительного обучения правилам безопасного использования изделия и связанным с этим опасностям. Не разрешайте детям играть с изделием. Не поручайте детям обслуживание и уход за изделием без контроля взрослых.
    - Не сушите в машине грязные вещи.
    - Вещи, испачканные маслом для жарки, ацетоном, спиртом, бензином, керосином, пятновыводителями, трементином, воском и веществами для его удаления, необходимо выстирать в горячей воде с большим количеством стирального вещества перед их сушкой в сушильной машине.
    - Вещи из вспененного материала (латекс), шапочки для душа, водонепроницаемая ткань, изделия, одна сторона которых – резиновая, одежда или подушки, содержащие латекс, сушить в сушильной машине нельзя.
    - Ополаскиватель или подобные вещества следует использовать в соответствии с инструкциями производителя.
    - Завершающая часть цикла сушильной машины производится без нагрева (цикл охлаждения) во избежание повреждения вещей.
- ВНИМАНИЕ:** Никогда не останавливайте сушильную машину до окончания программы сушки. В этом случае сразу же выгрузите все вещи и развесьте их для быстрого охлаждения.
- Не прикасайтесь к изделию влажными руками, босиком или с мокрыми ногами.
  - Не тяните за сетевой кабель для отсоединения штепсельной вилки изделия из сетевой розетки, возьмитесь за вилку рукой.
  - Не прикасайтесь к сливаемой воде, так как она может быть очень горячей.

- Категорически запрещается пытаться открыть люк силой: это может привести к повреждению защитного механизма, предохраняющего от случайного открывания машины.
- В случае неисправности категорически запрещается открывать внутренние механизмы изделия с целью их самостоятельного ремонта.
- Следите, чтобы дети не приближались к работающей стиральной машине.
- Перемещать машину следует осторожно, вдвоем или втроем. Никогда не перемещайте машину в одиночку, так как машина очень тяжелая.
- Перед помещением в стиральную машину белья проверьте, чтобы барабан был пуст.
- В процессе сушки люк стиральной машины может нагреться.
- Не подвергайте автоматической сушке белье, выстиранное с применением возгораемых растворителей (например, триелина).
- Не сушите в автоматической сушке паралоновые изделия или подобные эластомеры.
- В процессе сушки проверьте, чтобы водопроводный кран был открыт.
- Не разрешайте детям младше 3 лет приближаться к сушильной машине без постоянного контроля.
- Выньте все предметы из карманов, такие как зажигалки и спички.

## Система балансировки белья

Перед каждым отжимом во избежание чрезмерных вибраций и для равномерного распределения белья в барабане машина производит вращения со скоростью, слегка превышающей скорость стирки. Если после нескольких попыток белье не будет правильно сбалансировано, машина произведет отжим на меньшей скорости по сравнению с предусмотренной. В случае чрезмерной разбалансировки машина выполнит распределение белья вместо отжима. Для оптимизации распределения белья и его правильной балансировки рекомендуется перемешать мелкое белье с крупным.

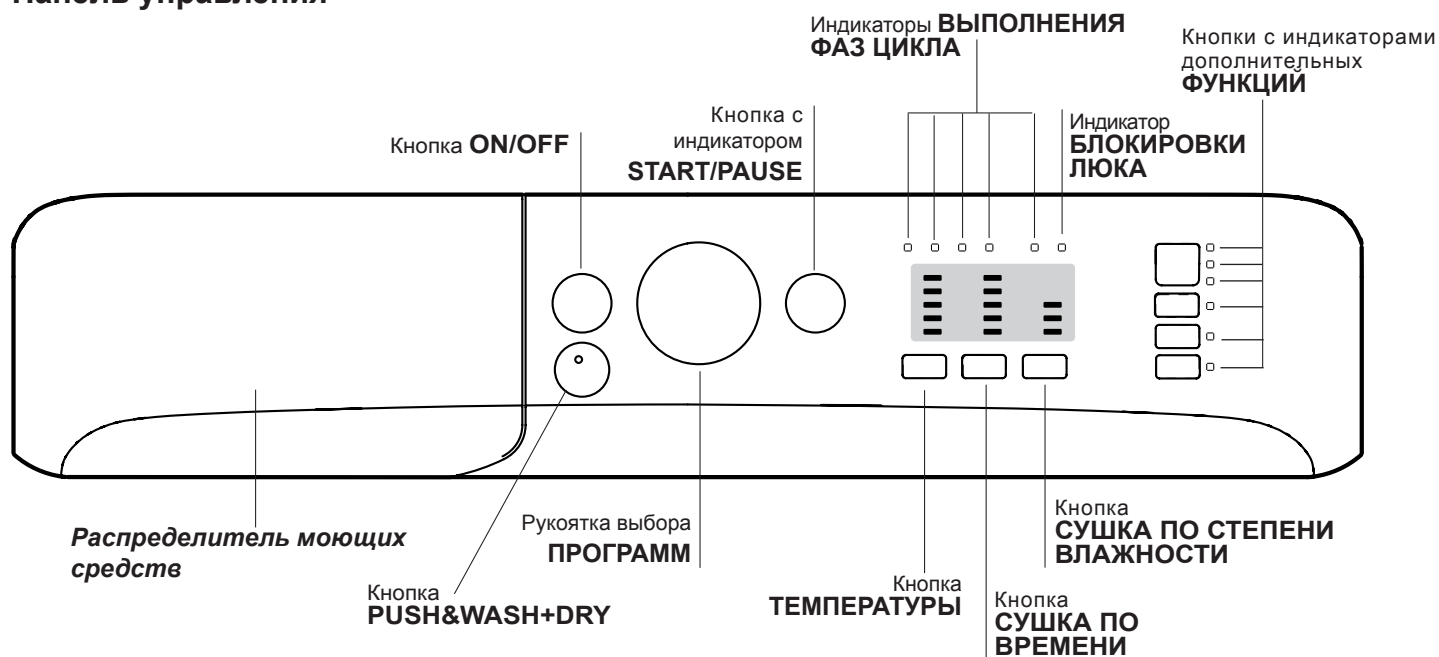
## Утилизация

- Уничтожение упаковочных материалов: соблюдайте местные нормативы с целью повторного использования упаковочных материалов.
- Согласно Европейской Директиве 2012/19/EU касательно утилизации электронных и электрических электроприборов электроприборы не должны выбрасываться вместе с обычным городским мусором. Выведенные из строя приборы должны собираться отдельно для оптимизации их утилизации и рекуперации составляющих их материалов, а также для безопасности окружающей среды и здоровья. Символ зачеркнутая мусорная корзинка, имеющийся на всех приборах, служит напоминанием об их отдельной утилизации. За более подробной информацией о правильной утилизации бытовых электроприборов пользователи могут обратиться в специальную государственную организацию или в магазин.

# Описание стиральной машины и порядка запуска программы

CIS

## Панель управления



**Распределитель моющих средств:** для загрузки стиральных веществ и добавок (см. «Моющие средства и типы белья»).

**Кнопка ON/OFF:** служит для включения и выключения стиральной машины.

**Кнопка PUSH&WASH+DRY:** (см. «Стиральные вещества и типы белья»).

**Рукоятка выбора ПРОГРАММ:** служит для выбора программ. В процессе выполнения программы рукоятка не вращается.

**Кнопки с индикаторами дополнительных ФУНКЦИЙ:** служат для выбора имеющихся дополнительных функций. Индикатор, соответствующий выбранной функции, останется включенным.

**Кнопка ТЕМПЕРАТУРЫ:** служит для настройки температуры или для стирки в холодной воде (см. «Персонализированные настройки»).


**Кнопка СУШКА ПО ВРЕМЕНИ:** нажать для выбора нужной продолжительности сушки; выбранная продолжительность сушки показывается индикаторами сбоку.

**Кнопка СУШКА ПО СТЕПЕНИ ВЛАЖНОСТИ:** нажать для выбора нужной продолжительности сушки; выбранная продолжительность сушки показывается индикаторами сбоку.

**Индикаторы ВЫПОЛНЕНИЯ ФАЗ ЦИКЛА:** показывают последовательность выполнения программы стирки. Включенный индикатор соответствует текущей фазе.

**Индикатор БЛОКИРОВКИ ЛЮКА:** показывает, можно ли открыть люк (см. страницу сбоку).

**Кнопка с индикатором START/PAUSE:** служит для запуска или для временного прерывания программы.

**ПРИМЕЧАНИЕ:** для временного прерывания текущего цикла стирки нажмите эту кнопку. Соответствующий индикатор замигает оранжевым цветом, а индикатор текущей фазы стирки будет гореть, не мигая. Если индикатор БЛОКИРОВКИ ЛЮКА  погас, можно открыть люк (ожидайте приблиз. 3 минуты).

Для возобновления цикла стирки с момента, когда он был прерван, вновь нажмите START/PAUSE.

### Режим ожидания

Настоящая стиральная машина отвечает требованиям новых нормативов по экономии электроэнергии, укомплектована системой автоматического отключения (режим сохранения энергии), включающейся через 30 минут простоя машины. Нажмите один раз кнопку ON/OFF и подождите, пока машина вновь включится.

## Индикаторы

Индикаторы сообщают пользователю важные сведения. Значение индикаторов:

### Индикаторы текущей фазы цикла:

После выбора и запуска цикла стирки индикаторы будут загораться один за другим, показывая последовательность выполнения программы:

Стирка	
Полоскание	
Отжим/ Слив	
Сушка	
Конец цикла	<b>END</b>

### Кнопки дополнительных функций и соответствующие индикаторы

При выборе функции загорается соответствующая кнопка. Если выбранная функция является несовместимой с заданной программой, соответствующий индикатор будет мигать, и такая функция не будет включена. Если выбранная дополнительная функция несовместима с другой, ранее заданной дополнительной функцией, замигает соответствующий индикатор и трижды прозвучит звуковой сигнал, в результате будет активирована функция, заданная последним нажатием, её индикатор загорится на дисплее.

## Порядок запуска программы

### Быстрое программирование

- 1. ЗАГРУЗКА БЕЛЬЯ.** Откройте люк машины. Загрузите в барабан белье, не превышая максимальный допустимый вес, указанный в таблице программ на следующей странице.
- 2. ДОЗИРОВКА СТИРАЛЬНОГО ВЕЩЕСТВА** Выньте дозатор и поместите стиральное вещество в специальные ячейки, как описано в разделе «*Стиральные вещества и типы белья*».
- 3. ЗАКРОЙТЕ ЛЮК.**
- Нажмите кнопку «Push&Wash+Dry» для запуска программы.


### Традиционное программирование

- Включите машину при помощи кнопки ON/OFF. Все индикаторы загорятся на несколько секунд, затем останутся включенными индикаторы настроек выбранной программы, и будет мигать индикатор START/PAUSE.
- Загрузите белье в барабан и закройте люк.

### Индикатор блокировки люка:

Включенный индикатор означает, что люк заблокирован во избежание его случайного открытия. Для того чтобы открыть его, необходимо дождаться, когда индикатор погаснет (ожидайте приблиз. 3 минуты).

Если требуется открыть люк после пуска цикла, нажмите кнопку START/PAUSE. Когда погаснет индикатор БЛОКИРОВКА ЛЮКА, можно открыть люк.

3. Задайте рукояткой ПРОГРАММА нужную программу.
4. Задайте температуру стирки (см. «*Персонализированные настройки*»).
5. При необходимости запрограммируйте цикл сушки (см. «*Персонализированные настройки*»).
6. Поместите моющие средства и добавки (см. «*Стиральные вещества и типы белья*»).
7. Включите нужные дополнительные функции.
8. Запустите программу при помощи кнопки START/PAUSE, соответствующий индикатор загорится синим цветом. Для отмены заданного цикла переключите машину в режим паузы при помощи кнопки START/PAUSE и выберите новый цикл.
9. По завершении программы загорится индикатор END. Люк можно открывать после выключения индикатора БЛОКИРОВКИ ЛЮКА  (ожидайте приблиз. 3 минуты). Выньте белье и оставьте люк полуоткрытым для сушки барабана. Выключите стиральную машину, нажав кнопку ON/OFF.

# Программы

CIS

## Push&Wash+Dry

Данная функция позволяет запустить автоматический цикл стирки и сушки также при выключенной машине без необходимости заранее нажимать кнопку ON/OFF или после включения машины, не нажимая никаких других кнопок и/или управлений (в противном случае программа Push&Wash+Dry отключается). Для активации цикла Push&Wash+Dry держите нажатой кнопку 2 секунды. Включенный индикатор означает, что цикл запущен. Цикл стирки и сушки идеально подходит для х/б и синтетического белья, используется температура стирки 30°C и максимальная скорость отжима на 1000 оборотов в минуту. В процессе сушки достигается максимальная температура примерно 60°C. По завершении программы остаточная влажность подходит для оптимальной “☁️”. Макс. рекомендуемый объем загрузки белья 2,5 кг (Продолжить цикла 210’).

### Как это работает?

1. Загрузите белье (х/б и/или синтетическое) и закройте люк.
  2. Поместите в дозаторы стиральное средство и/или добавки.
  3. Запустите программу, держа нажатой 2 секунды кнопку Push&Wash+Dry. Соответствующий индикатор загорится зеленым светом, и люк заблокируется (символ ЛЮК ЗАБЛОКИРОВАН загорится).  
ПРИМЕЧАНИЕ: Запуск стирки кнопкой Push&Wash+Dry активирует автоматический цикл стирки и сушки, рекомендуемый для х/б и синтетического белья, параметры которого не могут быть изменены.
  4. Можно использовать автоматическую программу только для стирки, исключив сушку. После нажатия кнопки Push&Wash+Dry нажать кнопку сушки ☀️; символ сушки до степени “☁️” погаснет. Макс. объем загружаемого белья только для стирки 3,5 кг (Продолжить цикла 50’). Дополнительные настройки этой программы не разрешаются.
- Если требуется открыть люк после запуска автоматического цикла, нажмите кнопку START/PAUSE; когда погаснет индикатор ЛЮК ЗАБЛОКИРОВАН, можно открыть люк только в процессе стирки. Вновь нажмите кнопку START/PAUSE для возобновления программы с момента, в который она была прервана.
5. По завершении программы загорится индикатор END.

## Таблица программ

Программы	Описание программы	Макс. темп. (°C)	Макс. скорость оборотов в минуту	Сушка	Максимальный объем для сушки (кг)	Стирка вещества и добавки				Максимальный объем для стирки (кг)	Продолжительность цикла стирки
						Предварительная Стирка	Стирка	Ополаскиватель	Отбеливание		
<b>Специальные</b>											
1	<b>Спорт</b>	30°	600	●	3	-	●	●	-	3,5	55'
2	<b>Темные ткани</b>	30°	800	●	2,5	-	●	●	-	4	70'
3	<b>Удаление запахов (Хлопок)</b>	60°	1000	●	3,5	-	●	●	-	3,5	110'
3	<b>Удаление запахов (Синтетика)</b>	40°	1000	●	3	-	●	●	-	3,5	100'
4	<b>Деликатная стирка</b>	30°	0	●	1	-	●	●	-	1	80'
5	<b>Шерсть:</b> шерсть, кашемир и т.д.	40°	800	●	1,5	-	●	●	-	1,5	70'
6	<b>Быстрая 30'</b>	30°	800	●	3	-	●	●	-	3	30'
<b>Стандартные</b>											
7	<b>Белый хлопок с замачиванием 90°:</b> Очень грязное белое белье.	90°	1600	●	5	●	●	●	-	7	170'
8	<b>Хлопок 60°C (1):</b> очень грязное белое и прочное цветное белье.	60° (Max. 90°)	1600	●	5	-	●	●	-	7	170'
9	<b>Синтетика:</b> сильнозагрязнённое прочно окрашенное цветное бельё.	60°	800	●	3	-	●	●	-	3,5	110'
10	<b>Цветные ткани (2)</b>	40°	1600	●	5	-	●	●	-	7	100'
11	<b>Эко Хлопок 20°:</b> очень грязное белое и деликатное цветное бельё.	20°	1600	●	5	-	●	●	-	7	170'
12	<b>Эко Синтетика</b>	20°	800	●	5	-	●	●	-	7	120'
<b>автоматический</b>											
13	<b>Стирка +Сушка 45'</b>	30°	1600	●	1	-	●	●	-	1	45'
14	<b>AirFresh</b>	-	-	●	1,5	-	-	-	-	-	30'
<b>Дополнительные</b>											
☁️	Полоскание / Отбеливание	-	1600	●	5	-	-	●	●	7	50'
🌀	Отжим + Слив	-	1600	●	5	-	-	-	-	7	10'

Продолжительность цикла, показанная на дисплее или указанная в инструкциях является расчетом, сделанным на основании стандартных условий. Фактическая продолжительность может варьировать в зависимости от многочисленных факторов таких как температура и давление воды на подаче, температура помещения, количество моющего средства, количество и тип загруженного белья, балансировка белья, выбранные дополнительные функции.

Для всех институтов тестирования:

- 1) Программы управления в соответствии с Директивой EN 50229: задайте программу 8 с температурой 60°C.
- 2) Длинная программа для х/б белья: задайте программу 10 с температурой 40°C.



# Персонализированные настройки

## Регулировка температуры

Настройка температуры стирки производится при помощи регулятора ТЕМПЕРАТУРЫ (см. *Таблицу программ*). Значение температуры может быть уменьшено вплоть до стирки в холодной воде (❄). Машина автоматически не допускает выбор температуры, превышающей максимальное значение, предусмотренное для каждой программы. ! Исключение: при выборе программы 8 температура может быть увеличена до 90°.

## Программирование сушки

Имеются два режима сушки: **по времени** и **по степени влажности**.

При нажатии кнопки СУШКА ПО ВРЕМЕНИ ☀ задается нужная продолжительность сушки: **40- 90- 120 - 150- 180 минут**.

При первом нажатии кнопки выбранное время будет минимальным допустимым для заданной программы. Когда машина переключится в режим сушки, после нажатия кнопки СУШКА ПО ВРЕМЕНИ, можно будет сократить ранее заданную продолжительность сушки. Индикаторы покажут новую заданную продолжительность сушки и остающееся время цикла сушки с учетом уже прошедшего времени.

При нажатии кнопки СУШКА ПО СТЕПЕНИ ВЛАЖНОСТИ ☀ задается нужная степень остаточной влажности белья:

**В шкаф** ☼: подходит для белья, сразу складываемого в шкаф без глажки.

**На вешалку** ☼: идеально подходит для вещей, не нуждающихся в полной сушке.

**Разглаживание** ☼: рекомендуется для белья, которое затем требуется гладить. Степень остаточной влажности смягчает складки и делает глажку более легкой.

В случае, если вес белья, предназначенного для стирки и сушки, превышает максимальную допустимую загрузку, выполните цикл стирки, и по его завершении, разделите белье на части и производите его сушку частями.

Затем следуйте инструкциям, описывающим функцию «Только сушка». Повторите те же операции для сушки оставшегося белья. По завершении сушки всегда производится цикл охлаждения белья.

**Примечание:** если все индикаторы сушки выключены, машина **не** выполняет сушку.

### Только сушка

Нажмите кнопку ☼ для выполнения только сушки. Выбрав нужную программу, совместимую с типом белья, при нажатии кнопки ☼ исключается стирка и активируется сушка на максимальном уровне, предусмотренном выбранной программой. Можно изменить или задать сушку по времени или по степени влажности, нажав кнопки ☼, ☼. (Несовместима с программами 13 и 14).

## Мыть варианты

Различные функции стирки машины позволяют достичь желаемой чистоты и белизны вашего белья.

Порядок выбора функций:

1. нажмите кнопку нужной вам функции;
2. включение соответствующего индикатора означает, что функция включена.

**Примечание:**

- Если выбранная функция является несовместимой с заданной программой, соответствующий индикатор будет мигать, и такая функция не будет включена.
- Если выбранная дополнительная функция несовместима с другой, ранее заданной дополнительной функцией, замигает соответствующий индикатор и трижды прозвучит звуковой сигнал, в результате будет активирована функция, заданная последним нажатием, её индикатор загорится на дисплее.

### Пятна

Данная функция позволяет выбрать оптимальный цикл стирки для удаления пятен, учитывая характер загрязнения. Могут быть выбраны следующие типы загрязнения:

- **Еда**, для удаления пятен от пищевых продуктов и напитков.
- **Работа**, для удаления пятен жира, чернил, помады, тонального крема, загрязнения воротничковой зоны.
- **Улица**, для удаления пятен от грунта и травы.

! Продолжительность цикла стирки будет варьироваться в зависимости от выбранного типа загрязнения.

½☺

При помощи этой кнопки сокращается скорость отжима.

### Дополнительное полоскание

При выборе этой функции повышается эффективность ополаскивания, обеспечивая максимальное удаление стирального вещества. Эта функция особенно удобна для людей с кожей, чувствительной к стиральным веществам.

Таблица продолжительности сушки (примерные значения)

Тип ткани	Загрузка	Макс. загрузка (кг)	В шкаф	На вешалку	Разглаживание
Хлопок	Белье разного размера, Махровые полотенца	5	250	210	190
Синтетика	Простыни, Рубашки, Пижамы, носки и т.д.	3	180	130	115
Шерсть	Свитера, полуверы	1,5	155	135	115

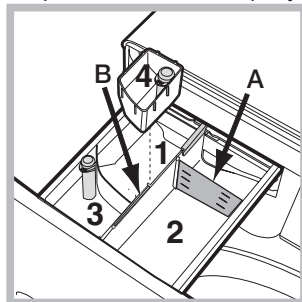
# Моющие средства и типы белья

CIS

## Распределитель моющих средств

Хороший результат стирки зависит также от правильной дозировки стирального вещества: избыток стирального вещества не гарантирует более эффективную стирку, напротив, способствует образованию налетов внутри стиральной машины и загрязнению окружающей среды.

**! Не используйте стиральные вещества для ручной стирки, так как они образуют слишком много пены.**



Выньте ячейку и поместите в нее стиральное вещество или добавку в следующем порядке.

### Ячейка 1: Стиральное вещество для предварительной стирки (порошок)

Перед засыпкой стирального порошка необходимо проверить, чтобы не был

установлен дополнительный дозатор 4.

### Ячейка 2: Стиральное вещество для стирки (порошок или жидкий)


В случае использования жидкого стирального вещества рекомендуется использовать прилагающийся дозатор А для правильной дозировки. Для использования стирального порошка вставьте дозатор в нишу В.

### Ячейка 3: Добавки (ополаскиватель и т.д.)

Уровень ополаскивателя не должен превышать отметку "max", указанную в центре дозатора.

### дополнительный дозатор 4: Отбеливатель

#### Отбеливание

Вставьте прилагающийся дополнительный дозатор 4 в ячейку 1. Не заливайте отбеливатель в дозатор выше отметки «max», указанной в центре дозатора. Если вы хотите произвести отбеливание, поместите отбеливатель в дополнительную ячейку 4 и выберите программу .

**! Традиционный отбеливатель нужно использовать для белого белья из прочной ткани, для цветного, синтетического белья и изделий из шерсти необходимо использовать деликатный отбеливатель.**

## Подготовка белья

- Разделите белье по следующим признакам:
  - тип ткани / обозначения на этикетке
  - цвету: отделите цветное белье от белого.
- Выньте из карманов все предметы и проверьте пуговицы.
- Не превышайте значения, указанные в «Таблице программ», указывающие вес сухого белья.

### Сколько весит белье?

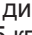
- 1 простыня 400-500 гр.
- 1 наволочка 150-200 гр.
- 1 скатерть 400-500 гр.
- 1 халат 900-1200 гр.
- 1 полотенце 150-250 гр.

## Изделия, требующие деликатной стирки

**Спорт** (программа 1) предназначена для стирки слабо загрязненной спортивной одежды (спортивные костюмы, носки и др.); для достижения оптимальных результатов рекомендуем не превышать максимальный размер загрузки, указанный в «Таблице программ». Рекомендуем использовать жидкие моющие средства в количестве, соответствующем половине загрузки.

**Темные ткани:** используйте программу 2 для стирки темного белья. Программа рассчитана на сохранения цвета белья после стирок. Для оптимизации результатов

рекомендуется использовать жидкое стиральное вещество преимущественно для темного белья.

При выборе функции сушки по завершении стирки автоматически включается цикл деликатной сушки, сохраняющий цвет белья. На дисплее показывается режим . Макс. загрузка: 2,5 кг.

**Удаление запахов:** используйте программу 3 для стирки белья с неприятными запахами (например, запахом от сигарет, пота, жареной еды). Программа предназначена для удаления неприятных запахов, сохраняя при этом волокна ткани. Для белья из синтетических или смешанных тканей рекомендуется стирка при 40° для прочного белья из хлопка при 60°.

**Деликатная стирка:** используйте программу 4 для стирки самого деликатного белья. Перед началом стирки рекомендуется вывернуть вещи наизнанку. Для оптимизации результатов рекомендуется использовать жидкое стиральное средство для деликатного белья. При выборе режима сушки только по времени по завершении стирки выполняется особо деликатная сушка за счет легкого вращения барабана и потока воздуха с температурой, контролируемой особым образом.

Рекомендуемая продолжительность:

- 1 кг синтетического белья --> 150 мин.
- 1 кг синтетического и х/б белья --> 180 мин.
- 1 кг х/б белья --> 180 мин.

Степень сушки зависит от объема загруженного белья и от типа белья.

**Шерсть:** Цикл стирки «Шерсть» данной стиральной машины прошел тестирование и был утвержден Компанией Woolmark Company для стирки изделий, в состав которых входит шерсть, классифицированных как «для ручной стирки» с тем, чтобы тирка выполнялась в соответствии с инструкциями на этикетке вещи и инструкциями, прилагаемым изготовителем данной стиральной машины. (M1126)



**Цветные ткани:** используйте программу 10 для стирки светлого белья. Программа рассчитана на сохранения цвета цветного белья после стирок.

**Эко Хлопок 20°** (программа 11) идеально подходит для стирки х/б белья со средним загрязнением.

Отличные результаты получаются также при стирке в холодной воде, сравнимые со стиркой при 40°, обеспечиваются механическим действием с разной скоростью с повторяющимися частыми пиками.

**Эко Синтетика** (программа 12) идеально подходит для смешанного типа белья (х/б и синтетика) со средним загрязнением. Хорошие результаты получаются также при стирке в холодной воде, обеспечиваются механическим действием с разной скоростью со средними и опережающими интервалами.

**Стирка+Сушка 45'**: используйте программу 13 для стирки и сушки белья (х/б и синтетического) с незначительным загрязнением с небольшой продолжительностью цикла. При выборе этого режима можно постирать и высушить вплоть до 1 кг белья всего за 45 минут. Для получения оптимальных результатов используйте жидкое стиральное вещество; предварительно обработайте манжеты, воротнички рубашек и пятна.

**AirFresh** (программу 14) оптимальный цикл для освежения и удаления за 30 минут неприятных запахов из х/б и синтетического белья (макс. 1,5 кг), в частности, сигаретного дыма, без стирки.

# Поиск неисправностей и методы их устранения

Если ваша стиральная машина не работает. Прежде чем обратиться в Авторизованный сервисный центр (см. *Сервисное обслуживание*), проверьте, можно ли устранить неисправность, следуя рекомендациям, приведенным в следующем перечне.

## Неисправности:

**Стиральная машина не включается.**

**Цикл стирки не запускается.**

**Стиральная машина не заливает воду (часто мигает индикатор первой фазы стирки).**

**Машина непрерывно заливает и сливает воду.**

**Стиральная машина не сливает воду и не отжимает белье.**

**Стиральная машина сильно вибрирует в процессе отжима.**

**Утечки воды из стиральной машины.**

**Индикаторы дополнительных функций и индикатор «START/PAUSE» мигают, и один из индикаторов «текущая фаза» и индикатор «БЛОКИРОВКИ ЛЮКА» горят, не мигая.**

**В процессе стирки образуется слишком обильная пена.**

**Функция Push&Wash+Dry не включается.**

**Стиральная машина не производит сушку.**

## Возможные причины / Методы устранения:

- Штепсельная вилка не соединена с электро розеткой или отходит и не обеспечивает контакта.
- В доме отключено электричество.
- Люк машины закрыт неплотно.
- Не была нажата кнопка ON/OFF.
- Не была нажата кнопка START/PAUSE.
- Перекрыт водопроводный кран.
- Водопроводный шланг не подсоединен к крану.
- Шланг согнут.
- Перекрыт водопроводный кран.
- В доме нет воды.
- Недостаточное водопроводное давление.
- Не была нажата кнопка START/PAUSE.
- Сливной шланг не находится на высоте 65 – 100 см. от пола (см. «Установка»).
- Конец сливного шланга погружен в воду (см. «Установка»).
- Настенное сливное отверстие не оснащено вантузом для выпуска воздуха. Если после вышеперечисленных проверок неисправность не будет устранена, следует перекрыть водопроводный кран, выключить стиральную машину и обратиться в Центр Сервисного Обслуживания. Если ваша квартира находится на последних этажах здания, могут наблюдаться явления сифона, поэтому стиральная машина производит непрерывный залив и слив воды. Для устранения этой аномалии в продаже имеются специальные клапаны против явления сифона.
- Выбранная программа не предусматривает слив воды: для некоторых программ необходимо включить слив вручную.
- Сливной шланг согнут (см. «Установка»).
- Засорен сливной трубопровод.
- В момент установки стиральной машины барабан был разблокирован неправильно (см. «Установка»).
- Стиральная машина установлена неровно (см. «Установка»).
- Машина зажата между стены и мебелью (см. «Установка»).
- Плохо прикручен водопроводный шланг (см. «Установка»).
- Засорен распределитель моющего средства (порядок его чистки см. в параграфе «Техническое обслуживание и уход»).
- Сливной шланг плохо закреплен (см. «Установка»).
- Выключите машину и выньте штепсельную вилку из сетевой розетки, подождите 1 минуту и вновь включите машину. Если неисправность не устраняется, обратитесь в Сервисную Службу.
- Моющее средство непригодно для стирки в стиральной машине (на упаковке должно быть указано «для стирки в стиральной машине», «для ручной и машинной стирки» или подобное).
- В распределитель было помещено чрезмерное количество моющего средства.
- Если после включения стиральной машины была нажата кнопка, отличная от Push&Wash+Dry, выключите ее и нажмите кнопку Push&Wash+Dry.
- Штепсельная вилка не соединена с электро розеткой или отходит и не обеспечивает контакта.
- В доме отключено электричество.
- Люк машины закрыт неплотно.
- Все индикаторы сушки выключены

# Сервисное обслуживание

---

CIS

## **Перед тем как обратиться в Службу Сервиса:**

- Проверьте, нельзя ли устранить неисправность самостоятельно (см. «Неисправности и методы их устранения»);
- Вновь запустите программу для проверки исправности машины;
- В противном случае обратиться в Авторизованный Сервисный Центр по телефонам, указанным в гарантийном таллоне.

**!** Никогда не обращайтесь к неавторизованным сервисным центрам.

## **При обращении в Сервисную Службу необходимо сообщить:**


- тип неисправности;
- модель изделия (Мод.);
- номер тех. паспорта (серийный №).

Серийный номер и модель указаны на паспортной табличке, расположенной на задней панели и спереди люка стиральной машины.

UA

Українська

XWDA 751680

!  Така позначка нагадує Вам про обов'язок ознайомитися з керівництвом користувача.

### Зміст

#### **Встановлення, 62-63**

Розпакування та вирівнювання  
Підключення води й електроенергії  
Перший цикл прання  
Технічні дані

#### **Догляд та очищення, 64**

Відключення води й електричного живлення  
Очищення пральної машини  
Чищення касети для пральних засобів  
Догляд за люком та барабаном  
Чищення насосу  
Контроль труби подачі води

#### **Заходи безпеки та поради, 65**

Загальна безпека  
Система балансування завантаження  
Утилізація

#### **Опис пральної машини та запуску програм, 66-67**

Панель керування  
Індикаторні лампи  
Як запустити програму

#### **Програми, 68**

Push&Wash+Dry  
Таблиця програм

#### **Налаштування під власні потреби, 69**

Встановлення температури  
Встановлення сушіння  
мити варіанти

#### **Пральні засоби та білизна, 70**

Касета для пральних засобів  
Цикл відбілювання  
Підготовка білизни  
Особливі речі

#### **Несправності та засоби їх усунення, 71**

#### **Допомога, 72**

# Встановлення

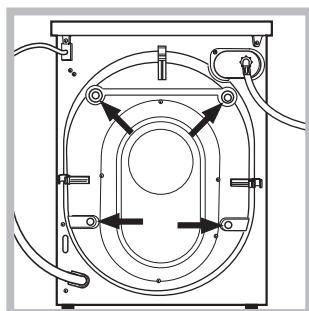
UA

! Необхідно зберігати дану брошуру, щоб мати нагоду звернутися до неї у будь-який момент. У випадку продажу, передачі іншій особі або переїзду переконайтеся, що інструкція перебуває разом із пральною машиною й новий власник може ознайомитися з її принципами роботи й відповідними запобіжними заходами. ! Уважно вивчіть інструкцію: в ній міститься важлива інформація щодо встановлення, використання та безпеки.

## Розпакування та вирівнювання

### Розпакування

1. Розпакування пральної машини  
2. Вдоскональтеся, що машина не зазнала ушкоджень під час транспортування. Якщо вона має пошкодження, не виконуйте ніяких підключень та негайно зверніться до постачальника.

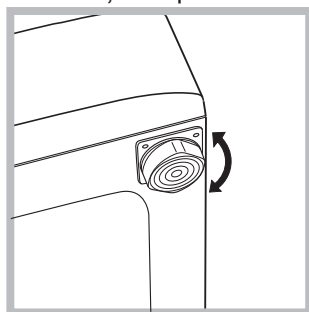


3. Видаліть 4 запобіжні гвинти для транспортування та прокладку з відповідною розпірною деталлю, які знаходяться позаду (див. малюнок).

4. Закрийте отвори пластиковими заглушками з комплекту постачання.  
5. Збережіть усі деталі: якщо пральна машина має перевозитися, їх потрібно встановити знову.  
! Забороняйте дітям гратися з упаковками.

### Вирівнювання

1. Встановіть пральну машину на рівній та твердій підлозі, не притуляючи її до стін, меблів, тощо.



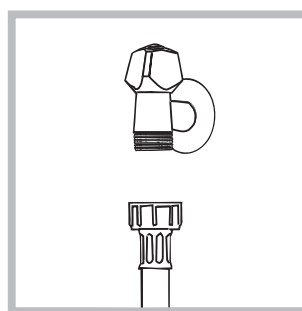
2. Якщо підлога не є ідеально горизонтальною, компенсуйте нерівності за допомогою передніх ніжок (див. малюнок) – розкручуючи чи закручуючи їх; кут нахилу

відносно робочої поверхні не повинен перевищувати 2°.

Належне вирівнювання надає стабільність машині та запобігає вібрації, шуму та пересуванню під час роботи. При встановленні машини на килимовому покритті або килимі відрегулюйте ніжки таким чином, щоб залишити під пральною машиною достатній простір для вентиляції.

## Підключення води й електроенергії

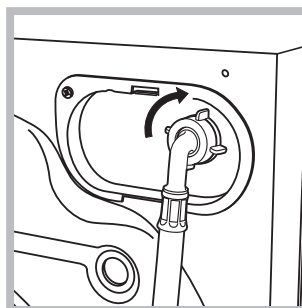
### Під'єднання труби подачі води



1. Підключити живлячий трубопровід, прикрутивши його до крану холодної води за допомогою штуцера з газовою різьбою 3/4 (див. малюнок).

Перед підключенням

спустіть воду, доки вона не стане прозорою.



2. Підключіть трубу подачі води до пральної машини, прикрутивши її до роз'єму для води, який знаходиться угорі праворуч на задньому боці машини (див. малюнок).

3. Зверніть увагу, щоб труба не мала згинів та утисків.

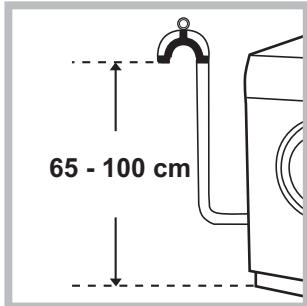
! Тиск води в крані має відповідати значенням у таблиці Технічних даних (див. сторінку поруч).

! Якщо довжини труби подачі води не вистачає, зверніться у спеціалізовану крамницю або до уповноваженого фахівця.

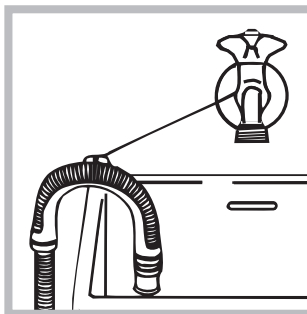
! Не використовуйте ніколи труби, що вже були у користуванні.

! Використовуйте труби з комплекту постачання до машини.

### Підключення зливного шланга



Підключіть зливний шланг, не згинаючи його, до каналізаційного каналу або до входу до такого каналу на стіні, на відстані від 65 до 100 см від підлоги;



або покладіть його на край вмивальника або ванни, поєднавши направляючу, яка входить до комплекту постачання, до крану (див. малюнок). Не залишайте вільний

кінець зливного шланга зануреним у воду.  
**!** Використання подовжувача шланга не рекомендоване. В разі необхідності використання подовжувача шлангу, переконайтеся у тому, що він має той самий діаметр та його довжина не перевищує 150 см.

### Електричні підключення

Перш ніж вставити вилку в електричну розетку, переконайтеся, що:

- розетка має заземлення у відповідності до встановлених норм;
- розетка розрахована на максимальне навантаження у межах потужності машини, зазначене у таблиці Технічних даних (див. малюнок поруч);
- напруга живлення перебуває у межах, зазначених у таблиці Технічних даних (див. малюнок поруч);
- розетка підходить до вилки пральної машини. В іншому випадку замініть розетку або вилку.

**!** Машину не можна встановлювати поза приміщенням, навіть в захищених місцях, тому що дуже небезпечно піддавати її впливу дощу і грози.

**!** Коли машину вже встановлено, забезпечте вільний доступ до електричної розетки.

**!** Не використовуйте подовжувачі й трійники.

**!** Шнур живлення не повинен мати згинів або утисків.

**!** Проводити заміну шнура живлення можуть тільки вповноважені фахівці.

Увага! Компанія знімає з себе відповідальність за умови недотримання вказаних норм.

### Перший цикл прання

Після встановлення та перш ніж розпочати використання машини, виконайте цикл прання з миючим засобом але не завантажуючи білизну, встановивши програму «Самоочищення» (див. «Очищення пральної машини»).

Технічні дані	
<b>Модель</b>	XWDA 751680
<b>Розміри</b>	ширина 59,5 см висота 85 см глибина 54 см
<b>Кількість білизни</b>	Від 1 до 7 кг для одного циклу прання. Від 1 до 5 кг для одного циклу сушіння.
<b>Електричні підключення</b>	див. шильдік з технічними даними на машині
<b>Водопровідні підключення</b>	максимальний тиск 1 мПа (10 бар) мінімальний тиск 0,05 мПа (0,5 бар) об'єм баку – 52 літри
<b>Швидкість центрифуги</b>	до 1600 обертів на хвилину
<b>Програма випробувань відповідно до Директиви EN 50229</b>	<b>Прання:</b> програма 8; температура 60°C; виконується з завантаженням 7 кг. <b>Сушіння:</b> Щоб запрограмувати сушіння для меншого завантаження (2kg), необхідно вибрати рівень сушіння “”, передбачене завантаження включає 2 простирадла, 1 наволочки і 2 рушника; сушіння решти завантаженої білизни виконується шляхом вибору рівня сушіння “”.
	Цей прилад відповідає таким європейським директивам: - 2004/108/CE (Електромагнітна сумісність) - 2012/19/EU - 2006/95/CE (Низька напруга)

# Догляд та очищення

UA

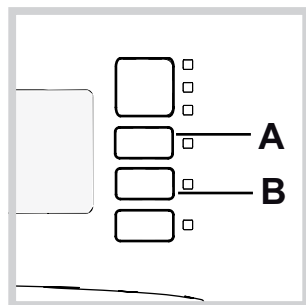
## Як відключити воду й електричне живлення

- Закривайте водопровідний кран після кожного прання. У такий спосіб зменшується знос гідравлічної частини машини й усувається небезпека витоків.
- Виймайте штепсель з розетки під час миття машини та під час робіт з технічного обслуговування.

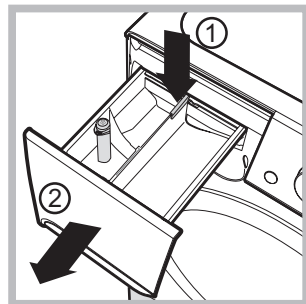
## Очищення пральної машини

- Зовнішня частина і гумові деталі можуть бути вимиті ганчіркою, змоченою у мильному розчині теплої води. Не використовуйте розчинники або абразивні засоби.
- Пральна машина оснащена програмою «Самоочищення» внутрішніх частин, яку слід запускати **без будь-яких речей всередині барабану**.

Пральний засіб (його кількість має складати 10% від рекомендованої для злегка забруднених речей) або спеціальні засоби для очищення пральної машини можна використовувати як допоміжні у програмі прання. Рекомендується виконувати програму очищення через кожні 40 циклів прання. Для пуску програми слід одночасно натиснути на кнопки **A** і **B** впродовж 5 сек. (див. малюнок). Програма запускається автоматично і триває приблизно 70 хвилин. Для припинення циклу натисніть на кнопку START/PAUSE.



## Очищення касети для пральних засобів



Щоб витягти касету, натисніть на важіль (1) і потягніть касету назовні (2) (див. малюнок). Промийте під проточною водою; ця процедура має проводитися регулярно.

## Догляд за люком та барабаном

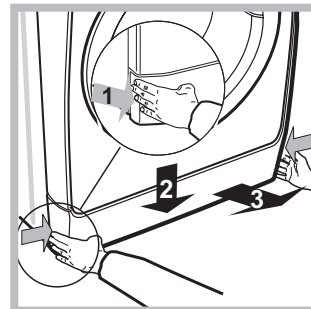
- Завжди залишайте люк напіввідкритим для запобігання утворенню неприємних запахів.

## Миття насосу

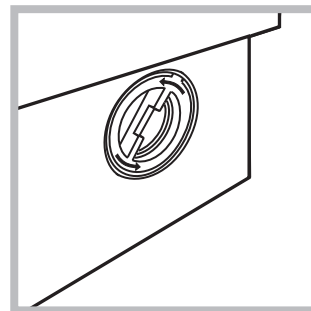
Пральну машину обладнано насосом з автоматичним очищенням, який не вимагає технічного обслуговування. Може трапитися так, що малі предмети (монети, гудзики) потраплять до форкамери, що захищає насос, розташований у її нижній частині.

**!** Переконайтеся у тому, що цикл прання закінчено і витягніть вилку з розетки.

Щоб потрапити до форкамери:



1. зніміть захисну панель з передньої частини машини шляхом натискання у центрі, потім натисніть униз з обох боків та витягніть її (див. малюнок).



2. відкрутіть кришку, обертаючи її проти годинникової стрілки (див. малюнок): виток незначної кількості води є нормальним;

3. ретельно очистіть всередині;  
4. знову закрутіть кришку;  
5. встановіть панель на місце, пересвідчіться у тому, що крюки були вставлені у спеціальні петлі, після чого притисніть її до машини.

## Перевірка шланга для подачі води

Перевіряйте шланг для подачі води не менше одного разу на рік. Якщо на ньому є тріщини, він підлягає заміні: під час прання високий тиск може призвести до розірвання.

**!** Не користуйтеся шлангами, які були вже у вживанні.



! Проектування та виробництво машини здійснено у відповідності до міжнародних норм безпеки. Ці попередження надаються задля вашої безпеки: уважно ознайомтеся з ними.

## Загальна безпека

- Після використання машини обов'язково відключайте її від мережі живлення змінного струму та лерекривайте кран водогону.
- Дане обладнання було розроблене виключно для побутового використання.
- **Дозволяється користування цим приладом дітьми віком від 8 років, а також особами з обмеженими фізичними, сенсорними або розумовими можливостями або особами без належного досвіду і знань, якщо вони перебувають під постійним контролем або проінструктовані щодо правил з небезпечного використання приладу і усвідомлюють ступені ризику.** Не дозволяйте дітям гратися з приладом. Операції з очищення і догляду не повинні виконуватися дітьми без належного контролю.
  - Не висушуйте речі, якщо вони не були випрані.
  - Речі, забруднені такими речовинами, як олія, утворювана в процесі приготування їжі, оцет, спирт, бензин, керосин, плямовивідники, мають пратися у гарячій воді з більшою кількістю прального засобу, після чого висушуватися у сушільній машині.
  - Такі речі, як губчаста гума (латексний пінопласт), шапочки для душу, вологонепроникні текстильні матеріали, прогумовані речі, а також одяг або подушки, в склад яких входить латексний пінопласт, не мають висушуватися у сушільній машині.
  - Пом'якшувальні засоби, тощо мають використовуватися з дотриманням інструкцій від виробника.
  - Завершу вальний етап циклу сушільної машини відбувається без нагрівання (цикл охолодження), щоб не ушкодити речі.**УВАГА: Забороняється зупиняти сушільну машину, якщо не завершено програму сушіння. В такому випадку швидко зберіть всі речі і розвісьте їх, щоб вони швидко охолонули.**
- Не торкайтеся до машини голими ногами або мокрими чи вологими руками й ногами.
- Не виймайте штепсель з електричної розетки, витягуючи його за провід, тримайтеся тільки за самий штепсель.
- Будьте обережні: вода, що зливається, може мати високу температуру.

- У жодному випадку не застосовуйте силу до дверцят люку: це може ушкодити запобіжний механізм проти випадкових відкривань.
- Якщо машина не працює у разі поломки, у жодному випадку не намагайтеся дістатися внутрішніх механізмів з метою самостійного ремонту.
- Слідкуйте, щоб діти не наближалися до працюючої машини.
- Якщо необхідно перенести машину, такі дії мають виконуватися двома або трьома вантажниками (а не одним!) за умови максимальної уваги, Ні в якому разі - однією особою, тому що машина дуже важка.
- Перш ніж завантажити білизну, перевірте, щоб барабан був порожній.
- Під час сушіння люк нагріватиметься.
- Під час сушіння виконуйте сушіння випраної білизни з використанням горючих розчинників (напр., триеліну).
- Не сушіть мікропористу гуму або подібні еластомери.
- Переконайтеся, що під час сушіння водопровідний кран відкрито.
- Діти віком молодше 3 років повинні знаходитися на безпечній відстані від сушильної машини або перебувати під безперервним контролем поблизу від неї
- Звільніть кишені від сторонніх речей, наприклад, запальничок або сірників.

## Система балансування завантаження

Перед кожним віджимом, для запобігання надмірній вібрації та для рівномірного розподілу навантаження, барабан здійснює оберти на дещо більшій швидкості, ніж швидкість прання. Якщо по закінченні декількох спроб завантажені речі ще не були правильно відбалансовані, машина здійснює віджим на швидкості, нижчій від передбаченої. У випадку надмірної незбалансованості пральна машина здійснює розподіл замість віджиму. З метою оптимального розподілу завантаження та його правильного балансування рекомендується одночасне прання великих і малих речей.

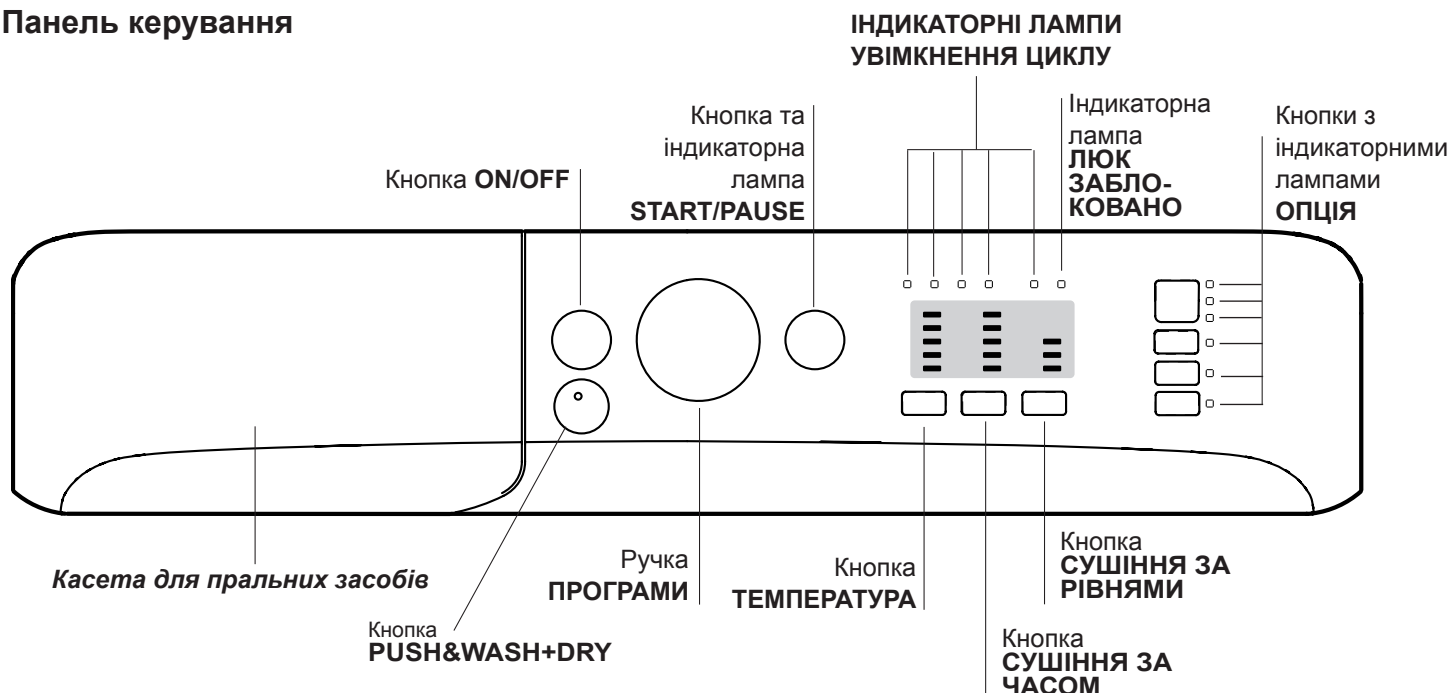
## Утилізація

- Утилізація пакувального матеріалу: додержуйте місцевих норм, так як пакування може бути використане повторно.
- Європейська директива 2012/19/EU з відходів електричної й електронної апаратури передбачає, що побутові електроприлади не можуть перероблятися у звичайному порядку для твердих міських відходів. Зняті з експлуатації побутові прилади мають бути зібрані окремо для оптимізації ступеню відновлення й повторного використання матеріалів, що входять до їхнього складу, та з метою усунення потенційної шкоди для здоров'я та довкілля. Символ закресленої корзини, зображений на всіх виробках, нагадує про необхідність окремої утилізації. Для подальшої інформації щодо правильної утилізації побутової техніки, їхні власники можуть звернутися до відповідних міських служб або до постачальника.

# Опис пральної машини та процедури із запуску програм

UA

## Панель керування



**Касета з пральним засобом:** для завантаження пральних засобів та засобів догляду (див. “Пральні засоби та білизна”).

**Кнопка ON/OFF:** для увімкнення й вимкнення пральної машини.

**Кнопка PUSH&WASH+DRY:** (див. “Програми й опції”).

**Ручка ПРОГРАМИ:** для задання бажаних програм. Під час програми ручка залишається нерухомою.

**Кнопки та індикаторні лампи ОПЦІЯ:** для вибору наявних опцій. Індикаторна лампа обраної опції залишається увімкненою.

**Кнопка ТЕМПЕРАТУРА:** для установки температури або холодного прання (див. “Налаштування під власні потреби”).

**Кнопка СУШІННЯ ЗА ЧАСОМ:** натисніть для вибору бажаного часу сушіння; обраний час сушіння вказується світловими індикаторами поруч.

**Кнопка СУШІННЯ ЗА РІВНЯМИ:** натисніть для вибору бажаних рівнів сушіння; обраний рівень сушіння вказується світловими індикаторами поруч.

**ІНДИКАТОРНІ ЛАМПИ УВІМКНЕННЯ ЦИКЛУ:** для спостереження за станом програми прання. Увімкнена індикаторна лампа вказує на активовану фазу.

**Індикаторна лампа ЛЮК ЗАБЛОКОВАНО:** для перевірки того, чи люк може відкриватись (див. сторінку поруч).

**Кнопка та індикаторна лампа START/PAUSE:** для запуску програм або для їх тимчасового переривання. **Увага:** щоб установити в режим паузи поточне прання, натисніть на цю кнопку, відповідна кнопка почне блимати помаранчевим кольором, в той час як індикаторна лампа поточної фази світлитиметься постійним світлом. Якщо індикаторна лампа ЛЮК ЗАБЛОКОВАНО згасне, можна відкривати люк для завантаження білизни (Приблизно через 3 хвилини). Щоб продовжити прання з місця, де воно було перервано, знову натисніть на цю кнопку.

### Режим очікування

Відповідно до норм, пов'язаних з заощадження енергії, цю пральну машину оснащено системою автовимкнення (stand by), яка активується через 30 хвилин відсутності роботи відсутності роботи з боку машини. Швидко натисніть кнопку ON/OFF та зачекайте відновлення роботи машини.

*Споживання у вимкненому режимі: 0,5 W*

*Споживання в увімкненому режимі: 8 W*

## Індикаторні лампи

Індикаторні лампи надають важливу інформацію. От на що вони вказують:

### Індикаторні лампи поточних операцій

Після обрання та запуску бажаного циклу прання індикаторні лампи вмикаються по черзі, щоб вказати на стан програми:

Прання	
Полоскання	
Віджим/Злив	
Сушіння	
Кінець прання	<b>END</b>

### Кнопки опцій та відповідні індикаторні лампи

Після вибору опції відповідна індикаторна лампа починає світитися. Якщо вибрана опція несумісна з заданою програмою, індикаторна лампа почне блимати й опція не активується. Якщо вибрано опцію, несумісну з іншою, попередньо заданою, надається сигнал блимання індикатору та звуковий сигнал (тричі); активується лише друга опція, індикатор активованої опції спалахує.

### Індикаторна лампа ЛЮК ЗАБЛОКОВАНО

Увімкнена індикаторна лампа вказує на те, що люк заблокований; відкривати люк можна лише коли ця лампа не світиться (Приблизно через 3 хвилини). Щоб відкрити люк під час виконання циклу, натисніть кнопку START/PAUSE; якщо індикаторна лампа ЛЮК ЗАБЛОКОВАНО згасла, це означає, що можна відкрити люк.


## Як запустити програму

### Швидке програмування

- ЗАВАНТАЖИТИ БІЛИЗНУ.** Відкрити люк.  
Завантажити білизну, намагаючись не перевищити кількість білизни, зазначену в таблиці програм на наступній сторінці.
- ВІДМІРЯТИ ПРАЛЬНИЙ ЗАСІБ.** Витягнути касету і додати пральний засіб у відповідні ванночки, як вказано в розділі “Пральні засоби і білизна”.
- ЗАКРИТИ ЛЮК.**
- Натиснути на кнопку “Push&Wash+Dry”, щоб запустити програму.

### Традиційне програмування

- Ввімкніть пральну машину, натиснувши кнопку ON/OFF. Усі індикаторні лампи спалахнуть разом на кілька секунд, потім залишаться горіти індикаторні лампи, що відповідають параметрам заданої програми, індикаторна лампа START/PAUSE почне блимати.
- Завантажте білизну й закрийте люк.

- Встановіть за допомогою ручки ПРОГРАМ бажану програму.
- Встановіть температуру прання (див. “Налаштування під власні потреби”).
- Встановіть сушіння у разі необхідності (див. “Налаштування під власні потреби”).
- Додайте пральні засоби та засоби догляду (див. “Пральні засоби та білизна”).
- Виберіть бажані опції.
- Запустіть програму, натиснувши кнопку START/PAUSE, відповідна індикаторна лампа спалахне зеленим світлом. Для скасування заданого циклу встановіть машину в режим паузи, натиснувши кнопку START/PAUSE, та оберіть новий цикл.
- Наприкінці програми почне світитися індикаторна лампа “END”. Якщо індикаторна лампа ЛЮК ЗАБЛОКОВАНО  згасне, можна відкривати люк для завантаження білизни (Приблизно через 3 хвилини). Вийміть білизну та залиште люк напіввідкритим, щоб висушити барабан. Вимкніть пральну машину, натиснувши на кнопку ON/OFF.

# Програми

UA

## Push&Wash+Dry

Ця функція дозволяє запустити автоматичний цикл прання і сушіння також на вимкненій машині, не натискаючи попередньо на кнопку ON/OFF, або - якщо машина вже запущена в роботу, не натискаючи ні на які кнопку і не обертаючи ніякі регулювальні ручки (інакше функція Push&Wash+Dry буде вимкнена). Щоб запустити цикл Push&Wash+Dry, натисніть кнопку і притримайте її 2 секунди. Увімкнений індикатор вказує, що цикл розпочався. Цей цикл прання і сушіння є ідеальним для бавовняних і синтетичних речей і працює при температурі 30° і на максимальній швидкості центрифуги 1000 обертів на хвилину. Під час сушіння максимальна температура досягає прибіл. 60°C. Наприкінці програми остаточно волога дорівнює рівня "☁". Макс. рекомендоване завантаження 2,5 кг. (Тривалість циклу 210').

### Як це працює

1. Завантажте білизну (бавовняні і/або синтетичні речі) і закрийте люк.
2. Додайте пральний засіб і/або спеціальні засоби.
3. Запустіть програму, натиснувши і притримавши 2 секунди кнопку Push&Wash+Dry. Відповідний індикатор спалахне зеленим світлом, при цьому люк буде заблоковано (світлитиметься символ "люк заблоковано"). Увага! Запуск програми за допомогою кнопки Push&Wash+Dry активує автоматичний цикл прання і сушіння, рекомендований для бавовняних і синтетичних речей, який не піддається індивідуальним налаштуванням.
4. Можна скористатися автоматичною програмою лише для прання, виключивши цикл сушіння. Після натискання на кнопку Push&Wash+Dry натисніть на кнопку сушіння ☀, іконка сушіння рівня "☁" згасне. Макс. завантаження для одного циклу прання складає 3,5 кг (Тривалість циклу 50'). Програма не піддається індивідуальним налаштуванням.

Щоб відкрити люк під час виконання автоматичного циклу натисніть на кнопку START/PAUSE; якщо символ "люк заблоковано" згасне, це означає, що люк можна відкрити під час прання. Знову натисніть на кнопку START/PAUSE, щоб продовжити програму з того місця, де її було перервано.

5. Наприкінці програми спалахне індикатор END.

## Таблиця програм

№ програми	Опис програми	Макс. темп. (°C)	Макс. швидкість (обертів за хвилину)	Сушіння	Максимальне завантаження для сушіння (кг)	Пральні засоби та додаткові засоби				Максимальне завантаження для прання (кг)	Тривалість циклу прання
						Попереднє прання	Прання	Пом'якшувач	Відбілювач		
<b>Особливі</b>											
1	<b>Sport</b>	30°	600	●	3	-	●	●	-	3,5	55'
2	<b>Темні речі</b>	30°	800	●	2,5	-	●	●	-	4	70'
3	<b>Проти неприємних запахів (бавовна)</b>	60°	1000	●	3,5	-	●	●	-	3,5	110'
3	<b>Проти неприємних запахів (Синтетичні)</b>	40°	1000	●	3	-	●	●	-	3,5	100'
4	<b>Делікатні</b>	30°	0	●	1	-	●	●	-	1	80'
5	<b>Вовна: для речей з вовни, кашеміру, тощо.</b>	40°	800	●	1,5	-	●	●	-	1,5	70'
6	<b>Швидке 30'</b>	30°	800	●	3	-	●	●	-	3	30'
<b>Standard</b>											
7	<b>Бавовна з попереднім пранням: вкрай забруднен біл.</b>	90°	1600	●	5	●	●	●	-	7	170'
8	<b>☁ Біла бавовна (1): дуже забруднені стійкі білі та кольорові тканини.</b>	60° (Max. 90°)	1600	●	5	-	●	●	-	7	170'
9	<b>Синтетичні: дуже забруднені кольорові стійкі тканини.</b>	60°	800	●	3	-	●	●	-	3,5	110'
10	<b>Кольорові речі (2)</b>	40°	1600	●	5	-	●	●	-	7	100'
11	<b>Есо бавовна 20°: мало забруднені делікатні білі та кольорові тканини.</b>	20°	1600	●	5	-	●	●	-	7	170'
12	<b>Есо Синтетичні</b>	20°	800	●	5	-	●	●	-	7	120'
<b>автоматичний</b>											
13	<b>Прання та сушіння 45'</b>	30°	1600	●	1	-	●	●	-	1	45'
14	<b>AirFresh</b>	-	-	●	1,5	-	-	-	-	-	30'
<b>Часткові</b>											
☁	<b>Ополіскування/Відбілювач</b>	-	1600	●	5	-	-	●	●	7	50'
☁	<b>Віджим + Злив</b>	-	1600	●	5	-	-	-	-	7	10'

Тривалість циклу, вказана на дисплеї або в керівництві, розрахована на основі стандартних умов роботи. Фактичний час може залежати від чисельних факторів, таких як температура і тиск подаваної води, температура у приміщенні, кількість м'яючого засобу, кількість і тип завантаженої білизни, зрівноваження завантаженої білизни, додаткові обрані опції.

Для всіх Установ з проведення випробувань:

- 1) Програма керування згідно до норми EN 50229: встановіть програму 8 з температурою 60°C.
- 2) Довга програма бавовна: встановіть програму 10 з температурою 40°C.

# Налаштування під власні потреби

## Встановлення температури

Натисніть кнопку **ТЕМПЕРАТУРИ**, ви можете задати температуру прання (див. *Таблицю програм*).

Ви можете знижувати температуру аж до прання в холодній воді (☼). Машина перешкоджатиме встановленню температури, яка перевищує максимально дозволена для кожної конкретної програми.

! Виключення: при виборі програми 8, температура може збільшитися до 90 градусів.

## Встановлення сушіння

Передбачені два типи сушіння, за **часом** і за **рівнями**.

Натисканням на кнопку **СУШІННЯ ЗА ЧАСОМ** ☼ встановлюється бажана тривалість сушіння: **40' - 90' - 120' - 150' - 180'**.

При першому натисканні на кнопку обраний час стає мінімальним дозволеним для заданої програми.

Коли машина розпочала фазу сушіння, натисканням на кнопку **СУШІННЯ ЗА ЧАСОМ** можна зменшити попередньо задану тривалість сушіння. Світлові індикатори вказують на нову обрану тривалість і на остаточний час сушіння, тобто зворотній відлік.

Натисканням на кнопку **СУШІННЯ ЗА РІВНЯМИ** ☼ встановлюється бажаний рівень сушіння:

**Шафа** : для випраних речей, які мають складатися у шафу без прасування.

**Вішалка** : ідеально для речей, які не потребують повного висушування.

**Праска** : для речей, які мають прасуватися у подальшому. Рівень залишкової вологості пом'якшує складки та полегшує їхнє зникнення.

Якщо завантажена білизна перевищує передбачені межі для прання та сушіння, виконайте прання та після завершення програми розділіть білизну та розташуйте одну частину у барабані. Тепер виконуйте інструкцію для **"Тільки сушіння"**. Повтор ц ж операції для білизни, яка залишилася. Наприкінці сушіння завжди провадитиметься період охолодження.

**Зауваження:** якщо всі індикаторні лампи сушіння погашені, машина **не** виконуватиме сушіння.

## Тільки сушіння

Натиснути на кнопку , щоб виконати тільки сушіння. Після обрання бажаної програми, сумісною з типом білизни, натисканням на кнопку відбувається виключення фази прання і активується сушіння на максимальному рівні, передбаченому для обраної програми. Можна змінити або встановити рівень або тривалість сушіння шляхом натискання на кнопки сушіння ☼, ☼ (Несумісне з програмами 13 і 14).

## мити варіанти

Різноманітні опції прання, передбачені у пральній машині, дозволяють отримати бажану чистоту та білизну ваших речей.

Для активації опцій:

- натисніть на кнопку бажаної опції;
- запалення відповідної індикаторної лампи вказує не те, що опцію активовано.

**Примітка:**

- Якщо вибрана опція несумісна з заданою програмою, індикаторна лампа почне блимати й опція не активується.
- Якщо вибрано опцію, несумісну з іншою, попередньо заданою, надається сигнал блимання індикатору та звуковий сигнал (тричі); активується лише друга опція, індикатор активованої опції спалахує.

## Видалення плям

Ця опція дозволяє вибрати тип забруднення для того, щоб оптимально налаштувати цикл для видалення плям.

Типи забруднень:

- **Їжа**, плями від харчових продуктів або напоїв.
- **Робота**, плями від мастил або чорнил.
- **Природа**, плями від бруду або трави.

! Тривалість циклу прання залежить від обраного типу забруднення.

При натисканні на цю кнопку зменшується швидкість віджиму.

## Додаткове полоскання

При виборі цієї опції збільшується ефективність полоскання, забезпечуючи повніше видалення прального засобу. Вона є зручною для осіб зі шкірою, особливо чутливою до пральних засобів.

Раз Таблиця сушки (орієнтовні значення)

тканина типу	Тип навантаження	Макс. завантаження (кг)	Шафа	Вішалка	Праска
Бавовна	Одяг різних розмірів, махрові рушники	5	250	210	190
Синтетичні	Листи, сорочки, піжами, шкарпетки і т.д.	3	180	130	115
Вовна	Светри, жилети і т.д.	1,5	155	135	115

# Пральні засоби та білизна

UA

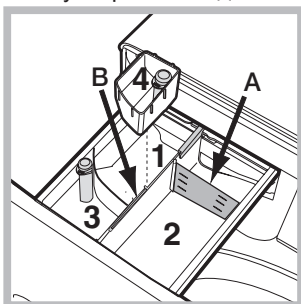
## Касета з пральним засобом

Добрий результат прання залежить також від правильного дозування прального засобу: надлишок прального засобу приведе до неефективного прання та сприятиме утворенню накипу всередині пральної машини, а також забрудненню довілля.

! Використовуйте поршкові пральні засоби для білих бавовняних речей, а також для попереднього прання або прання при температурі вище 60°C.

! Слідуйте вказівкам на упаковках пральних засобів.

! Не використовуйте засоби для ручного прання, тому що вони утворюють надто багато піни.



Витягніть касету для пральних засобів та додайте пральні засоби або засоби з догляду, як вказано нижче.

### ванночка 1: Засіб для попереднього прання (порошковий)

Перш ніж додати пральний засіб, перевірте, щоб не була вставлена додаткова ванночка 4.

### ванночка 2: Засіб для прання (порошковий чи рідкий)


Якщо використовується рідкий пральний засіб, рекомендується застосовувати вимірвальний компонент **A** з комплекту постачання для правильного дозування. При використанні порошкового прального засобу вставте цей компонент у нішу **B**.

### ванночка 3: Засоби з догляду (пом'якшувач, тощо)

Пом'якшувач не має перевищувати рівень "max" на центральному покажчику касети.

### додаткова ванночка 4: Відбілювач

## Цикл відбілювання

Вставте додаткову ванночку **4**, з комплекту постачання, у відділення **1**. Під час дозування відбілювача не перевищуйте максимальний рівень "max" на центральному покажчику. Щоб виконати відбілювання, додайте відбілювач у додаткову ванночку **4** і задайте програму .

! Традиційний відбілювач використовується для стійких білих тканин, делікатний - для кольорових тканин, синтетичних тканин і вовни.

## Підготовка білизни

- Розділіть білизну, враховуючи: тип тканини / позначку на етикетці. кольори: відокремте кольорові речі від білих.
- Перевірте кишені й гудзики.
- Не перевищуйте значення, вказані у "Таблиця програм", що відносяться до ваги сухої білизни.

### Скільки важить білизна?

- 1 простирадло 400-500 г
- 1 наволочка 150-200 г
- 1 скатертина 400-500 г
- 1 махровий халат 900-1200 г
- 1 рушник 150-250 г

## Особливі речі

**Спорт** (програма **1**) для прання злегка забрудненого спортивного одягу (спортивні костюми, шкарпетки, тощо); щоб одержати кращі результати, не перевищуйте максимальне завантаження, вказане у "Таблиця програм". Рекомендується використовувати рідкий пральний засіб, дозу для половинного завантаження.

**Темні речі:** використовуйте програма **2** для прання речей темного кольору. програма розроблена з метою збереження темного кольору з часом. Кращі результати досягаються при використанні рідкого прального засобу для речей темного кольору.

Якщо обрати функцію сушіння, наприкінці прання автоматично виконується делікатне сушіння, яке уберігає кольори речей. На дисплеї з'являється рівень "☁". Макс.завантаження: 2,5 кг.

**Проти неприємних запахів:** програма **3** для прання (напр., дим, піт, смажене). Програма призначена для знищення неприємних запахів, зберігаючи волокна тканини. Рекомендується виконувати прання синтетичних або змішаних речей при 40°C і міцних бавовняних речей - при 60°C.

**Делікатні:** використовуйте програма **4** для прання дуже делікатних речей. Перед пранням рекомендується вивернути речі. Кращі результати отримуються при використанні рідкого прального засобу для делікатних речей.

Якщо вибрати функцію сушіння виключно за часом, наприкінці прання виконується особливо делікатне сушіння завдяки неінтенсивному руху і повітряному потоку, який контролюється належним чином.

Рекомендований час:

1 кг синтетичних речей --> 150 хв.

1 кг синтетичних і бавовняних речей --> 180 хв.

1 кг бавовняних речей --> 180 хв.

Рівень сушіння залежатиме від завантаженої ваги і від складу тканин.

**Вовна:** Цикл прання "Вовна" цієї пральної машини протестований і затверджений компанією Woolmark у відношенні до прання вовняних речей, класифікованих як для "ручного прання", за умови виконання прання згідно до інструкцій, наведених на етикетці виробу, і вказівок виробника електро побутового приладу. (M1126)



**Швидке 30'** (програма **6**) цей цикл дозволяє випрати злегка забруднені речі при температурі 30° (за винятком вовни і шовку) при максимальному завантаженні у 3 кг за короткий час: цикл триває лише 30 хвилин, тому заощаджується енергія і час.

**Кольорові речі:** цей програма **10** використовується для прання світлих речей. Завдяки цій програмі забезпечується тривале зберігання насичених кольорів.

**Есо Бавовна 20°** (програма **11**) ідеальна для бавовняних забруднених речей. Добре прання, в тому числі у холодній воді, яке можна порівняти з пранням при 40°, гарантується механічною роботою, яка здійснюється на змінній швидкості із частими повторюваними піками.

**Есо Синтетичні** (програма **12**) ідеальна для змішаних речей (бавовняних і синтетичних) із середнім ступенем забруднення. Добре прання, в тому числі у холодній воді, яке можна порівняти з пранням при 40°, гарантується механічною роботою, яка здійснюється на змінній швидкості із середніми і чітко визначеними інтервалами.

**Прання та сушіння 45'** (програма **13**) розрахована для прання та сушіння злегка забруднених речей за короткий час. Вибравши цей цикл, можна випрати та висушити до 1 кг речей лише за 45 хвилин. Для отримання найкращих результатів скористуйтеся рідким пральним засобом; попередньо обробіть манжети, комір і плями.

**AirFresh** (програма **14**) ідеальний цикл для освіження і усунення всього лише за 30 хвилин з бавовняних і синтетичних речей (макс. 1,5 кг) неприємних запахів, зокрема диму, не застосовуючи цикл прання.

Може так статися, що пральна машина не працюватиме. Перш ніж зателефонувати до служби Допомоги (див. "Допомога"), перевірте можливість легкого усунення проблеми за допомогою наступного списку.

## Несправності:

**Пральна машина не вмикається.**

**Цикл прання не розпочинається.**

**Пральна машина не завантажує воду (швидко блимає індикаторна лампа першої фази прання).**

**Пральна машина безперервно завантажує та зливає воду.**

**Пральна машина не зливає воду або не вмикає центрифугу.**

**Пральна машина дуже вібрує під час роботи центрифуги.**

**З пральної машини витікає вода.**

**Світлодіоди "опцій" та "START/PAUSE" блимають, один зі світлодіодів "поточної фази" та "ЛЮК ЗАБЛОКОВАНО" світитиметься постійно.**

**Утворюється занадто багато піни.**

**Не працює функція Push&Wash+Dry.**

**Пральна машин не призначена суто для суш.**

## Можливі причини/Рішення:

- Штепсель не вставлений в електричну розетку або вставлений не до кінця.
- У будинку немає електроенергії.
- Люк погано закрито.
- Кнопку ON/OFF не було натиснуто.
- Кнопку START/PAUSE не було натиснуто.
- Водопровідний кран закритий.
- Трубу подачі води не під'єднано до водопровідного крану.
- Перегин у трубі.
- Водопровідний кран закритий.
- У водопроводі немає води.
- Недостатній тиск.
- Кнопку START/PAUSE не було натиснуто.
- Зливний шланг не знаходиться на відстані від 65 до 100 см від підлоги (див. "Встановлення").
- Кінець зливного шланга занурений у воду (див. "Встановлення").
- Стінний каналізаційний злив не має віддушини для виходу повітря (вантуза). Якщо після таких перевірок проблема залишається, закрийте водопровідний кран, вимкніть машину і зателефонуйте до служби Допомоги. Якщо квартира знаходиться на верхніх поверхах будинку, можливо, відбувається сифонний ефект, при якому машина безперервно завантажує й зливає воду. Щоб його ліквідувати, існують спеціальні антисифонні клапани, які можна придбати у торговельній мережі.
- Програма не передбачає зливання води: у деяких програмах це потрібно зробити вручну.
- Перегин зливного шланга (див. "Встановлення").
- Засмітився зливний шланг.
- Барабан, у момент встановлення, не був правильно розблокований (див. "Встановлення").
- Машина стоїть не на рівній поверхні (див. "Встановлення").
- Машину затиснуто між меблями і стіною (див. "Встановлення").
- Погано пригвинчено трубу подачі води (див. "Встановлення").
- Забруднена касета для пральних засобів (як вимити див. "Догляд та очищення").
- Погано закріплений зливний шланг (див. "Встановлення").
- Вимкніть машину й витягніть штепсель з розетки, зачекайте близько 1 хвилини й увімкніть її повторно.  
Якщо несправність не усунено, зателефонуйте до служби Допомоги.
- Пральний засіб не підходить до пральної машини (повинен мати напис "для машинного прання", "для ручного та машинного прання" або подібні).
- Перевищена доза прального засобу.
- Після увімкнення машини було задіяно функцію, відмінну від Push&Wash+Dry. Вимкніть машину і натисніть на кнопку Push&Wash+Dry.
- Штепсель не вставлений в електричну розетку або вставлений не до кінця.
- У будинку немає електроенергії.
- Люк погано закрито.
- Всі індикаторні лампи сушіння погашені.

# Допомога

---

UA

## Перш ніж звернутися по Допомогу:

- Перевірте, чи можна самостійно вирішити проблему (див. "Несправності і засоби їх усунення").
- Перезапустіть програму, щоб перевірити, чи усунено несправність;
- У протилежному випадку, зверніться до авторизованої служби технічної Допомоги за телефонним номером, вказаним на гарантійному сертифікаті.

! Звертайтеся виключно до уповноважених фахівців.

## Треба повідомити:

- тип несправності;
- модель машини (Мод.);
- серійний номер (S/N).


Цю інформацію ви знайдете на шильдику на задній стороні пральної машини та на передній стороні, якщо відкрити люк.

ТОВ «Індезіт Україна»  
Україна, 01001, м. Київ,  
пров. Музейний, 4



KZ

Қазақша

!  Бұл таңба осы пайдаланушы нұсқаулығын оқуды еске салады.

### Мазмұны

#### Орнату, 74-75

Қаптамадан алу және түзулеу

Ток пен суды қосу

Бірінші жуу циклы

Техникалық деректері

#### Күтім көрсету және техникалық қызмет көрсету, 76

Су мен токты өшіру

Кір жуғыш машинаны тазалау

Жуғыш зат тартпасын тазалау

Құрылғының есігі мен барабанына күтім көрсету

Сорғыны тазалау

Судың кіріс түтігін тексеру

**XWDA 751680**

#### Сақтандырулар мен кеңестер, 77

Жалпы қауіпсіздік

Жүкті теңестіру жүйесі

Қоқысқа тастау

#### Кір жуғыш машина сипаттамасы және жуу циклын бастау, 78-79

Басқару тақтасы

Индикатор шамдары

Жуу циклын бастау

#### Жуу циклдары, 80

Push & Wash + Dry

Жуу циклдарының кестесі

#### Жекешелендіру, 81

Температураны орнату

Кептіру циклын орнату

Функциялар

#### Жуғыш заттар мен кірлер, 82

Жуғыш зат тартпасы

Ағартқыш

Кірлерді дайындау

Арнайы күтімді қажет ететін киімдер

#### Ақаулықтарды жою, 83

#### Қызмет көрсету, 84

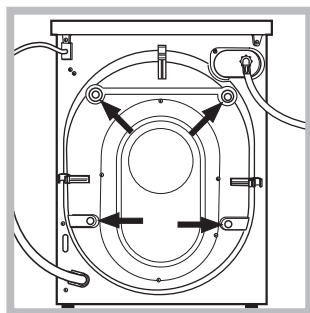
! Бұл нұсқаулықты кейін қарау үшін жоғалып қалмайтындай бір жерге сақтап қою керек. Кір жуғыш-кептіргіш машина сатылса, тасымалданса немесе көшірілсе, нұсқаулық құрылғымен бірге болатынын қамтамасыз етіңіз, солайша жаңа иесі оның жұмысы мен мүмкіндіктерімен танысады.

! Осы нұсқаулықты мұқият оқып шығыңыз: оның ішінде құрылғыны қауіпсіз орнату және қолдану туралы маңызды ақпараттар қамтылған.

## Қаптамадан алу және түзулеу

### Қаптамадан алу

1. Кір жуғыш-кептіргіш машинаны қаптамасынан алыңыз.
2. Тасымалдау барысында кір жуғыш-кептіргіш машина зақымдалмағанын тексеріңіз. Ол зақымдалған болса, сатушыға хабарласыңыз және орнату үдерісін тоқтатыңыз.



3. Құрылғының артқы жағында орналасқан 4 қорғаныш бұрандасын (тасымалдау кезінде қолданылады) және тиісті төсемі бар резеңке тығырықты алып тастаңыз (суретті қараңыз).

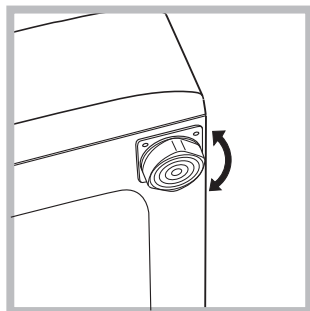
4. Тесіктерді бірге берілген пластикалық тығындармен жабыңыз.
5. Барлық бөлшектерді сақтап қойыңыз: кір жуғыш-кептіргіш машина басқа жерге тасымалданатын болса, олар керек болады.

! Қаптама материалдарын балалардың ойыншығы ретінде қолдануға болмайды.

! Ораушы және жеке оның элементтері азықпен байланысу үшін арналмаған.

### Түзулеу

1. Кір жуғыш-кептіргіш машинаны қабырғаға, жиһазға, шкафа немесе басқа кез келген затқа сүйемей, тегіс әрі қалыпты еденге орнатыңыз.

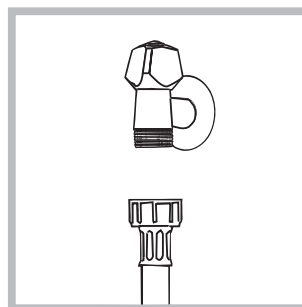


2. Еден түзу болмаса, алдыңғы аяқтарды қатайту немесе босату арқылы құрылғыны түзулеңіз (суретті қараңыз); құрылғының үстіңгі жағымен салыстырып өлшенген еңкею бұрышы 2°-тан аспауы керек.

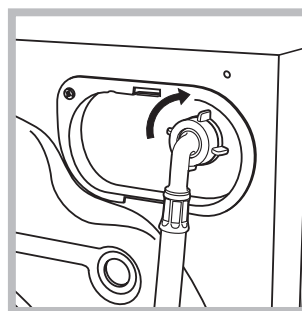
Құрылғы дұрыс түзулеу оған тұрақтылық береді, дірілдеу мен шамадан тыс шуылдың болмауына көмектеседі және жұмыс істеген кезде қозғалуына жол бермейді. Кір жуғыш-кептіргіш машина кілемге немесе кілемшеге қойылса, аяқтарын оның астында вентиляция үшін жеткілікті орын болатындай реттеу керек.

## Ток пен суды қосу

### Судың кіріс түтігін жалғау



1. Су жеткізу түтігін суық су шүмегіне 3/4 газдық бұранда қосылымын пайдалана отырып бұрап жалғаңыз (суретті қараңыз). Жалғамас бұрын су тап-таза болғанша, оны ағызып алыңыз.



2. Кіріс түтігін кір жуғыш-кептіргіш машинаның артқы жағының жоғарғы оң жағында орналасқан тиісті су кірісіне бұрап жалғаңыз (суретті қараңыз).

3. Түтік бүктелмегеніне немесе майыстырылмағанына көз жеткізіңіз.

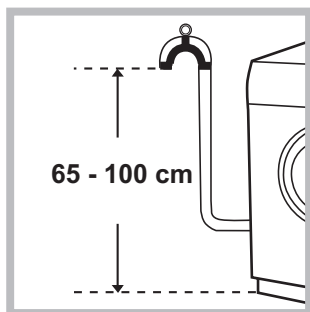
! Шүмектегі су қысымы Техникалық мәліметтер кестесінде көрсетілген мәндер аралығында болуы тиіс (келесі бетті қараңыз).

! Кіріс түтігінің ұзындығы жеткіліксіз болса, мамандырылған дүкенге немесе куәландырылған маманға хабарласыңыз.

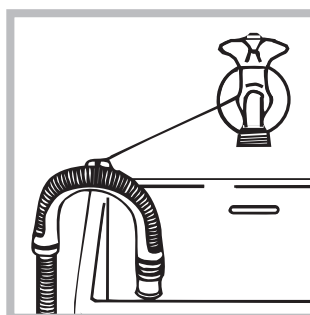
! Бұрын қолданылған түтіктерді пайдаланушы болмаңыз.

! Құрылғымен бірге берілген түтіктерді қолданыңыз.

## Ағызу түтігін жалғау



Ағызу түтігін майыстырмай, еденнен 65-100 см жоғары орналасқан ағызу құбырына немесе қабырғадағы канализация құбырына жалғаңыз;



немесе, оны ваннаға, шұңғылшаға немесе шылапшынға салып, берілген түтікті шүмекке бекітіңіз (*суретті қараңыз*). Түтіктің шеті су астында болмауы тиіс.

! Түтікті ұзартуға қарсымыз; бірақ басқа амалы болмаса, ұзарту түтігінің диаметрі бастапқы түтіктің диаметрімен бірдей болуы және оның ұзындығы 150 см-ден аспауы керек.

## Электр қосылымдары

Құрылғыны розеткаға қоспас бұрын, мына жағдайларға көз жеткізіңіз:

- розетка жерге тұйықталған және қолданыстағы заңды ережелерге сәйкес келеді;
- розетка Техникалық деректер кестесінде көрсетілген құрылғының ең жоғарғы қуатына төзімді (*жанындағы ақпаратты қараңыз*);
- қуат көзінің кернеуі Техникалық деректер кестесіндегі мәндер ауқымында (*жанындағы ақпаратты қараңыз*);
- розетка кір жуғыш машинаның айырына сәйкес келеді. Олай болмаса, розетканы немесе айырды ауыстырыңыз.

! Жабық жер болса да, кір жуғыш машинаны сыртта орнатпау қажет. Құрылғыны жаңбыр, боран және басқа да ауа-райы жағдайларында қалдыру аса қауіпті.

! Кір жуғыш машина орнатылғаннан кейін розеткаға оңай қол жеткізу мүмкін болуы тиіс.

! Бірнеше розеткалар мен ұзартқыш сымдарын пайдаланбаңыз.

! Сымды майыстыруға немесе оған қысым салуға болмайды.


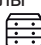


! Ток сымын тек өкілетті мамандар ауыстыруы тиіс.

Ескерту! Осы стандарттар сақталмаған жағдайда, компания жауапты болмайды.

## Бірінші жуу циклы

Құрылғы орнатылғаннан кейін және оны алғаш рет пайдаланбас бұрын, "Өзін-өзі тазалау" жуу циклын қолдана отырып, жуғыш затпен кірлерді салмай-ақ, жуу циклын іске қосыңыз («*Кір жуғыш машинаны тазалау*»).

## Техникалық деректері

Үлгі	XWDA 751680
Өлшемдері	ені 59,5 см биіктігі 85 см тереңдігі 54 см
Сыйымдылығы	жуу бағдарламасы үшін 1-7 кг; кептіру бағдарламасы үшін 1-5 кг
Электр қосылымдары	құрылғыға бекітілген техникалық деректер тақтасын қараңыз
Су қосылымдары	ең жоғары қысым 1 МПа (10 бар) ең төмен қысым 0,05 МПа (0,5 бар) барабан сыйымдылығы 52 литр
Айналымы жылдамдығы	1600 айналым/мин мәніне дейін
Қуатты есептеу бағдарламалары мына стандартқа сәйкес: EN 50229	<b>Жуу:</b> 8 бағдарламасы; температура 60°C; 7 кг жүкті қолдана отырып. <b>Кептіру:</b> Кішірек жүктемені (2 кг)  құрғақтық деңгейін сақтау арқылы кептірілуі керек. Жүктемеде 2 ақжайма, <b>стандартқа сәйкес:</b> 1 жастыққап және 2 қол орамалы болуы керек; қалған жүктемені  құрғақтық деңгейін сақтау арқылы кептірілуі керек.
 	Бұл құрылғы төмендегі ЕО директиваларына сәйкес келеді: - 2004/108/ЕС (Электр магниттік үйлесімділік) - 2006/95/ЕС (Төмен кернеу) - 2012/19/EU

# Күтім көрсету және техникалық қызмет көрсету

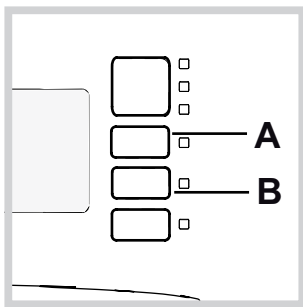
KZ

## Су мен токты өшіру

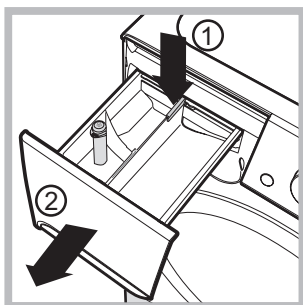
- Әрбір жуу циклынан кейін су шүмегін жауып отырыңыз. Бұл кір жуғыш машинаның ішіндегі гидравликалық жүйенің тозуын шектейді және су ағып кетудің алдын алуға көмектеседі.
- Кір жуғыш машинаны тазалаған кезде және техникалық қызмет көрсету жұмыстарын орындаған кезде оны токтан ажыратыңыз.

## Кір жуғыш машинаны тазалау

- Құрылғының сыртқы жақтары мен резеңкеден жасалған құрамдас бөліктерін жылы сабынды сумен суланған жұмсақ шүберекпен тазалауға болады. Еріткіштерді немесе абразивті заттарды қолданбаңыз.
- Кір жуғыш машинада ішкі бөлшектеріне арналған «Өзін-өзі тазалау» бағдарламасы бар, оны **барабанға ешбір зат салмай** іске қосу керек. Бұл циклды оңтайландыру үшін кір жуғыш машинаны тазалау мақсатында жуғыш затты (қатты ластанған киімдер үшін берілген мөлшердің 10%) немесе арнайы қосымша заттарды пайдалануға болады. Тазалау бағдарламасын әр 40 жуу циклында бір рет іске қосқан абзал. Бағдарламаны бастау үшін **A** және **B** түймелерін бір уақытта басып 5 секунд ұстап тұрыңыз (Кестені қараңыз). Бағдарлама автоматты түрде қосылады және шамамен 70 минут орындалады. Циклды тоқтату үшін START/PAUSE түймесін басыңыз.



## Жуғыш зат тартпасын тазалау



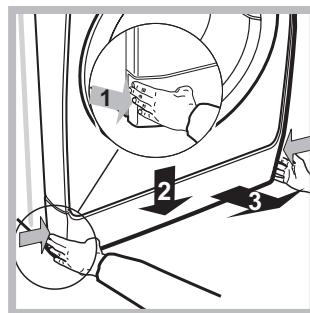
Тартпаны шығарып алу үшін тұтқаны басып (1), тартпаны сыртқа қарай тартыңыз (2) (*суретті қараңыз*). Оны су ағыны астында жуыңыз; бұл процедураны жиі қайталап тұру керек.

## Құрылғының есігі мен барабанына күтім көрсету

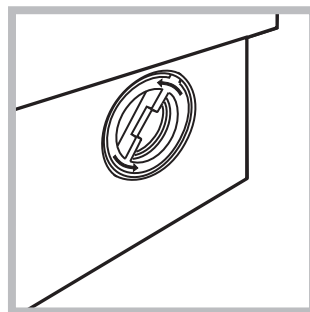
- Жағымсыз иістер пайда болмауы үшін есікті әрқашан сәл ашып қою керек.

## Сорғыны тазалау

Кір жуғыш машина ешбір техникалық қызмет көрсетуді қажет етпейтін, өзін-өзі тазалайтын сорғымен жабдықталған. Кейде кіші заттар (тиындар немесе түймелер сияқты) сорғының астындағы алдыңғы қорғау камерасына түсіп кетуі мүмкін. **!** Жуу циклы аяқталғанына көз жеткізіңіз де, құрылғыны розеткадан ағытыңыз. Алдыңғы камераға қол жеткізу үшін:



1. Қақпақ панелін алдымен ортасынан басу және одан кейін шығарып алынатындай оны екі жағынан ұстап төмен қарай тарту арқылы панельді шешіп алыңыз (*суреттерді қараңыз*).



2. Қақпақты сағат тіліне қарсы бағытта бұру арқылы бұрап шығарып алыңыз (*суретті қараңыз*): кішкене су ағып кетуі мүмкін. Бұл қалыпты жағдай.

3. Ішін жақсылап тазалаңыз.
4. Қақпақты орнына бұраңыз.
5. Құрылғыға итеріп салмас бұрын, ілмектері орнына мықтап отырғанына көз жеткізіп, панельді орнына қойыңыз.

## Судың кіріс түтігін тексеру

Кіріс түтігін кем дегенде жылына бір рет тексеріңіз. Шатынаған болса, оны дереу ауыстыру керек: жуу циклдарының барысында су қысымы өте жоғары болады және шатынаған түтік жарылып кетуі әбден мүмкін.

**!** Бұрын қолданылған түтіктерді пайдаланушы болмаңыз.

! Бұл кір жуғыш машина халықаралық қауіпсіздік ережелеріне сай өңделіп шығарылған. Төмендегі ақпарат қауіпсіздік ережелерін ескерту мақсатында берілген және оны мұқият оқып шығу қажет.

## Жалпы қауіпсіздік

• Дозволяється використання цієї сушильної машини з боку осіб (включаючи дітей віком від 8 років і старше) з обмеженими фізичними, сенсорними або розумовими здібностями, а також з боку осіб без необхідного досвіду і навичок, якщо вони перебувають під наглядом або отримують інструкції щодо експлуатації приладу від особи, відповідальної за їх безпеку.

- Кептіргіш ішінде жуылмаған заттарды кептірмеңіз.

- Ас майы, ацетон, спирт, бензин, керосин, дақ кетіргіштер, скипидар, балауыз бен балауыз кетіргіштері сияқты заттармен кірленген нәрселерді кептіргіште кептіруден бұрын көбірек жуғыш зат қосып, ыстық суда жуу керек.

- Пенопласт (латекс көбігі), душ қалпақтары, су өткізбейтін маталар, резеңке қосылған маталар мен киімдер немесе пенопласт төсемдері бар жастықтарды кептіргіште кептіруге болмайды.

- Кондиционерлерді немесе оған ұқсас өнімдерді кондиционер нұсқауларына сәйкес қолдану керек.

- Кептіргіш циклының соңғы бөлігі қызусыз орындалады (салқындату циклы), солайша заттар зақымдалмайтын температурада ұсталатыны қамтамасыз етіледі.

**ЕСКЕРТУ:** Барлық заттар жылдам алынып, қызу шашылып кететіндей таратылмаса, кептіру циклы аяқталмағанша кептіргішті тоқтатушы болмаңыз.

- Бұл құрылғы тек үйде пайдаланылуға арналған.
- Құрылғыны жалаң аяқ немесе қолыңыз немесе аяғыңыз ылғал болғанда ұстамаңыз.
- Құрылғыны розеткадан ағытқан кезде ток кабелінен ұстап тартпаңыз. Айырды ұстап тартыңыз.
- Құрылғы жұмыс істеп тұрған кезде жуғыш зат тартпасын ашпаңыз.
- Ағызылған суға тимеңіз, себебі оның температурасы өте жоғары болуы мүмкін.
- Есікті күштеп тартпаңыз. Өйтпесе, кездейсоқ ашудан қорғауға арналған қауіпсіздік құлпы механизмі зақымдалуы мүмкін.

- Құрылғы бұзылып қалса, ешбір жағдайда өз бетіңізбен жөндеу мақсатында ішкі бөліктерге тиюші болмаңыз.
- Әрқашанда балаларды құрылғыдан алыс ұстаңыз.
- Жуу циклы барысында есік қатты қызып кетуі мүмкін.
- Құрылғыны жылжыту керек болса, екі немесе үш адамнан тұратын топпен жұмыс істеңіз және де өте абай болыңыз. Мұны жалғыз өзіңіз орындаушы болмаңыз, себебі құрылғы өте ауыр.
- Кірлерді кір жуғыш-кептіргіш машинаға салмас бұрын, барабан бос екеніне көз жеткізіңіз.
- Кептіру кезеңі барысында есік өте қызып кетуі мүмкін.
- Жанғыш еріткіштермен (мысалы, трихлорэтилен) жуылған киімдерді кептіру үшін құрылғыны пайдаланбаңыз.
- Құрылғыны пенопластты немесе оған ұқсас эластомерлерді кептіру үшін қолданбаңыз.
- Кептіру циклы барысында су шумегі ашық екеніне көз жеткізіңіз.
- Өрдайым бақылап отырмаған жағдайда, 3-ке толмаған балаларды құрылғыдан аулақ ұстау керек.
- Қалталардан барлық заттарды алып тастаңыз, мысалы шақпақтар немесе сіріңке.

## Жүкті теңестіру жүйесі

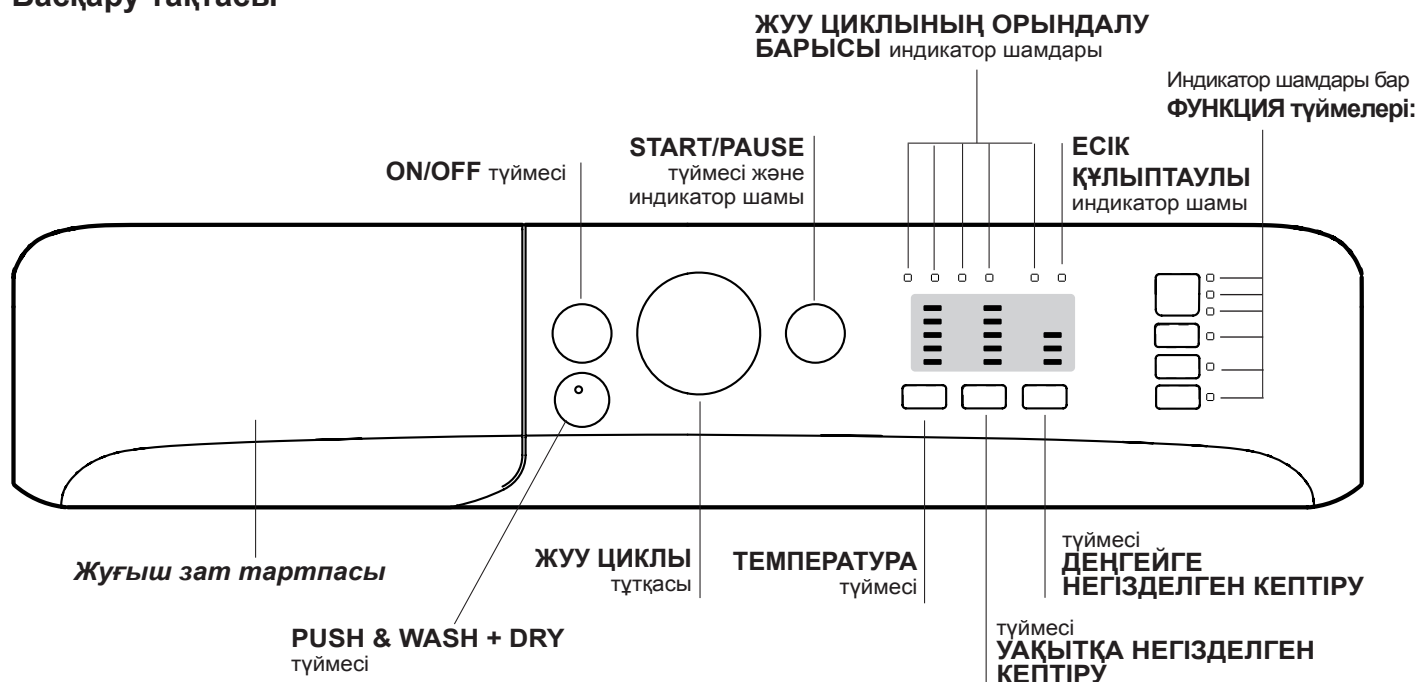
Әрбір сығу циклынан бұрын, шамадан тыс дірілдеудің алдын алу және жүкті біркелкі түрде тарату үшін, барабан жуу кезіндегі айналу жылдамдығын сәл көбірек жылдамдықпен айналып тұрады. Егер бірнеше әрекеттен кейін жүк дұрыс теңестірілмесе, құрылғы төмендетілген сығу жылдамдығында айналдырады. Егер жүк тым теңестірілмеген болса, құрылғы сығу орнына тарату үдерісін орындайды. Жүктің таралуы мен теңестірілуін жақсарту үшін кіші және үлкен киімдерді аралас салуды ұсынамыз.

## Қоқысқа тастау

- Орама материалдарын қоқысқа тастау: ораманың қайта пайдаланылуы мүмкін болатындай жергілікті ережелерді орындаңыз.
- Электр және электроникалық құралдардың қалдықтарына қатысты 2012/19/EU Еуропа заңнамасына сәйкес үй құрылғылары қалыпты сортталмаған қалалық қалдық ағымымен бірге жойылмауы тиіс. Қоршаған орта мен адам денсаулығына тиетін зиянның алдын ала отырып, ескі құрылғылар қайта пайдалануды және қайта өңдеуді оңтайландыру мақсатында бөлек жиналуы керек. Өнімдегі сызылған «доңғалақты қоқыс жәшік» сізге құрылғыны тастаған уақытта бөлек жиналуы туралы есіңізге салады. Ескі құрылғыларды дұрыс тастау жөнінде ақпарат алу үшін пайдаланушылар жергілікті өкілдеріне немесе сатушыларына хабарласулары керек.

# Кір жуғыш машина сипаттамасы және жуу циклын бастау

## Басқару тақтасы



**Жұғыш зат тартпасы:** жұғыш заттар мен жұғыш қосындыларды енгізу үшін пайдаланылады («Жұғыш заттар мен кірлер» тарауын қараңыз).

**ON/OFF** түймесі: кір жуғыш машинаны қосады және өшіреді.

**PUSH & WASH + DRY** түймесі: («Жуу циклдары мен опциялары»).

**ЖУУ ЦИКЛЫ** тұтқасы: жуу циклдарын бағдарламалайды. Жуу циклы барысында тұтқа қозғалмайды.

Индикатор шамдары бар **ФУНКЦИЯ** түймелері: бар функцияларды таңдау үшін қолданылады. Таңдалған функцияға сәйкес келетін индикатор шамы жанып тұрады.

**ТЕМПЕРАТУРА** түймесі: температураны немесе суық жуу циклын орнатады («Жекешелендіру» тарауын қараңыз).

**УАҚЫТҚА НЕГІЗДЕЛГЕН КЕПТІР** түймесі: қажетті кептіру уақытын таңдау үшін басыңыз. Таңдалған кептіру уақытын қарама-қарсы жақтағы индикаторлар көрсетеді.

**ДЕҢГЕЙГЕ НЕГІЗДЕЛГЕН КЕПТІРУ** түймесі: қажетті кептіру деңгейін таңдау үшін басыңыз. Таңдалған кептіру деңгейін қарама-қарсы жақтағы индикаторлар көрсетеді.

**ЖУУ ЦИКЛЫНҒЫ ОРЫНДАЛУ БАРЫСЫ** индикатор шамдары: жуу циклының орындалуын бақылау үшін қолданылады.

**ЕСІК ҚҰЛЫПТАУЛЫ** индикатор шамы: есікті ашуға болатынын не болмайтынын білдіреді (*келесі бетті қараңыз*).

Индикатор шамы бар **START/PAUSE** түймесі: жуу циклдарын бастайды немесе уақытша тоқтатып қояды.

**Ескертпе:** Орындалып жатқан жуу циклын тоқтатып қою үшін осы түймені басыңыз; тиісті индикатор шамы қызғылт сары түспен жыпылықтайды, ал ағымдағы жуу циклының кезеңіне сәйкес келетін индикатор шамы қалыпты түрде жанып тұрады. Егер **ЕСІК ҚҰЛЫПТАУЛЫ** индикатор шамы өшсе, есікті ашуға болады (шамамен 3 минут күтіңіз). Жуу циклын тоқтатылған жерінен бастау үшін осы түймені тағы бір рет басыңыз.

### Күту режимі





Осы кір жуғыш машина, жаңа қуатты үнемдеу ережелеріне сәйкес, ешбір әрекет байқалмаса, шамамен 30 минуттан кейін қосылатын автоматты күту жүйесімен жабдықталған. **ҚОСУ-ӨШІРУ** түймесін аз уақыт басып, құрылғының іске қосылуын күтіңіз.

## Индикатор шамдары

Индикатор шамдары маңызды ақпаратты береді. Олар мына жағдайларды білдіруі мүмкін:

### Жуу циклы кезеңінің индикатор шамдары

Қажетті жуу циклы таңдалып, басталғаннан кейін, индикатор шамдары бірінен кейін бірі жанып, циклдың қай кезеңі орындалып жатқанын білдіреді.

Жуу	
Шаю	
Сығу/ Ағызу	
Кептіру	
Жуу циклының соңы	<b>END</b>

### Функция түймелері және оларға сәйкес келетін индикатор шамдары

Функция таңдалған кезде, оған сәйкес келетін индикатор шамы жанады.

Таңдалған функция бағдарламаланған жуу циклымен үйлесімді болмаса, тиісті индикатор шамы жыпылықтайды және функция қосылмайды. Таңдалған опция оған дейін таңдалған басқа опциямен үйлесімді болмаса, индикатор шамы жыпылықтап, сигнал беріледі (3 сигнал) және тек екінші опция қосылады; таңдалған опцияға сәйкес келетін индикатор шамы жанады.

## Жуу циклын бастау

### Жылдам бағдарламалау

- 1. КІРЛЕРДІ САЛЫҢЫЗ.** Есікті ашыңыз. Келесі беттегі бағдарламалар мен жуу циклдарының кестесінде көрсетілген ең көп жүк мәнінен асып кетпеуге назар аударып, кірлерді салыңыз.
- 2. ЖУҒЫШ ЗАТТЫ ӨЛШЕҢІЗ.** Жуғыш зат тартпасын ашып, «Жуғыш заттар мен кірлер» тарауында айтылғанмен сәйкес жуғыш затты тиісті бөлікке салыңыз.
- 3. ЕСІКТІ ЖАБЫҢЫЗ.**
4. Жуу бағдарламасын бастау үшін «Push & Wash + Dry» түймесін басыңыз.

### Әдеттегі бағдарламалау

1. ON/OFF түймесін басу арқылы кір жуғыш машинаны қосыңыз. Барлық индикатор шамдары бірнеше секундқа жанады, одан кейін таңдалған бағдарлама параметрлеріне қатысты индикатор шамдары жанып тұрады, ал START/PAUSE индикатор шамы жыпылықтайды.
2. Кірлерді салып, есікті жабыңыз.

### Есік құлыптаулы индикатор шамы

Индикатор шамы жанып тұрған кезде, ашылмауы үшін есік құлыптаулы болады; есікті ашпас бұрын индикатор шамының сөнгеніне көз жеткізіңіз (шамамен 3 минут күтіңіз).

Жуу циклы барысында есікті ашу үшін, START/PAUSE түймесін басыңыз; ЕСІК ҚҰЛЫПТАУЛЫ индикатор шамы өшкен кезде есікті ашуға болады.

3. ЖУУ ЦИКЛЫ ТҰТҚАСЫН ҚАЖЕТТІ БАҒДАРЛАМАҒА орнатыңыз.

4. Жуу температурасын орнатыңыз

(«Жекешелендіру» тарауын қараңыз).

5. Қажет болса, кептіру циклын орнатыңыз


(«Жекешелендіру» тарауын қараңыз).

6. Жуғыш заттар мен жуғыш қосындыларды өлшеңіз

(«Жуғыш заттар мен кірлер» тарауын қараңыз).

7. Қажетті функцияларды таңдаңыз.


8. Жуу циклын START/PAUSE түймесін басу арқылы бастаңыз, сонда тиісті индикатор шамы қалыпты түрде көк түспен жанып тұрады. Орнатылған жуу циклын доғару үшін START/PAUSE түймесін басу арқылы құрылғыны тоқтатып қойыңыз да, жаңа циклды таңдаңыз.

9. Жуу циклының соңында **END** индикатор шамы жанады. ЕСІК ҚҰЛЫПТАУЛЫ  индикатор шамы өшкен кезде есікті ашуға болады (шамамен 3 минут күтіңіз). Кірлерді шығарып, барабан толығымен кебуі үшін құрылғы есігін сәл ашық қалдырыңыз. ON/OFF түймесін басу арқылы кір жуғыш машинаны өшіріңіз.



# Жуу циклдары

KZ




## Push & Wash + Dry

Бұл функция құрылғы өшіп тұрған кезде, алдымен ON/OFF түймесін баспай-ақ немесе құрылғыны қосқаннан кейін ешбір түймені немесе таңдау тетігін қоспай-ақ (әйтпесе, Push & Wash + Dry функциясы өшеді), автоматты жуу және кептіру циклын бастауға мүмкіндік береді. Push & Wash + Dry циклын бастау үшін түймені басып, 2 секунд ұстап тұрыңыз. Индикатор жанып, циклдың басталғанын білдіреді. Бұл жуу және кептіру циклы мақта немесе синтетикалық маталар үшін ең қолайлы, себебі ол 30° температурада және 1000 айналым/минут жылдамдығында жуады. Кептіру циклы кезінде ең жоғары температура 60°C болады. Циклдың соңында қалдық ылғалдық “” деңгейіндегі ылғалдықпен бірдей болады. Қолдануға болатын ең көп жүктеме – 2,5 кг. (Цикл мерзімі 210’).

### Ол қалай жұмыс істейді?

1. Кірлерді (мақта және/немесе синтетикалық киімдер) салып, есікті жабыңыз.
2. Жуғыш затты және/немесе қоспаларды құйыңыз.
3. Push & Wash + Dry түймесін басып, 2 секунд ұстап тұру арқылы циклды іске қосыңыз. Тиісті индикатор шамы жасыл түспен жанып, есік құлыпталады (ЕСІК ҚҰЛЫПТАУЛЫ таңбасы жанады).  
Ескертпе: Push & Wash + Dry түймесі көмегімен жуу циклы басталса, мақта мен синтетикалық маталарға ұсынылатын реттелмейтін, автоматты цикл қосылады.
4. Автоматты циклды кептіру фазасын қоспай, тек жуу үшін қолдануға болады. Push & Wash + Dry түймесін, одан кейін  кептіру түймесін басыңыз: “” деңгейінің кептіру белгішесі сөнеді. Тек жуу қолданылса, ең көп жүктеме 3,5 кг болады (Цикл мерзімі 50’). Циклды одан әрі реттеу мүмкін емес.  
Автоматты цикл орындалып жатқан кезде есікті ашу үшін START/PAUSE түймесін басыңыз. ЕСІК ҚҰЛЫПТАУЛЫ таңбасы сөніп тұрса, есікті тек жуу фазасы барысында ашуға болады. Жуу циклын тоқтатылған жерінен қайта бастау үшін START/PAUSE түймесін тағы бір рет басыңыз.
5. Бағдарлама аяқталғаннан кейін END индикатор шамы жанады.

## Жуу циклдарының кестесі

Жуу циклдары	Жуу циклының сипаттамасы	Ең жоғ. темп. (°C)	Ең жоғ. жылдамдық (айн/мин)	Кептіру	Кептіру үшін ең көп жүктеме (Kg)	Жуғыш заттар				Жуу үшін ең көп жүктеме (Kg)	Жуу циклының ұзақтығы
						Алдынала жуу	Негізгі жуу	Мата кондиционері	Ағартқыш		
<b>Арнайы циклдар</b>											
1	Спорттық жеңіл	30°	600	●	3	-	●	●	-	3,5	55'
2	Қою түстер	30°	800	●	2,5	-	●	●	-	4	70'
3	Иіске қарсы (Мақта)	60°	1000	●	3,5	-	●	●	-	3,5	110'
3	Иіске қарсы (Синтетика)	40°	1000	●	3	-	●	●	-	3,5	100'
4	Нәзік киімдерді	30°	0	●	1	-	●	●	-	1	80'
5	Жүн: жүн, кашемир және т.б. үшін.	40°	800	●	1,5	-	●	●	-	1,5	70'
6	Жылдам 30'	30°	800	●	3	-	●	●	-	3	30'
<b>Стандартты</b>											
7	Алдын ала жууы бар Мақта циклы 90°: өте қатты кірленген ақ киімдер.	90°	1600	●	5	●	●	●	-	7	170'
8	 Мақта 60° (1): өте лас ақ және қатты түрлі-түсті кір.	60° (Max. 90°)	1600	●	5	-	●	●	-	7	170'
9	Синтетика: қатты кірлеген мықты боялған түрлі-түсті бұйым.	60°	800	●	3	-	●	●	-	3,5	110'
10	Түрлі-түсті киімдер (2)	40°	1600	●	5	-	●	●	-	7	100'
11	Есо Мақта 20°: өте лас ақ және күтіммен жуылатын түрлі-түсті кір.	20°	1600	●	5	-	●	●	-	7	170'
12	Есо Синтетика	20°	800	●	5	-	●	●	-	7	120'
<b>Automatic</b>											
13	Жуу мен кептіру 45'	30°	1600	●	1	-	●	●	-	1	45'
14	AirFresh	-	-	●	1,5	-	-	-	-	-	30'
<b>Толық емес циклдар</b>											
	Шаю/Ағартқыш	-	1600	●	5	-	-	●	●	7	50'
	Сығу + Ағызу	-	1600	●	5	-	-	-	-	7	10'

Дисплейде немесе осы кітапшада көрсетілген циклдың мерзімі тек шамамен берілген және ол стандартты жұмыс жағдайларына сәйкес есептеледі. Нақты мерзім су температурасы мен қысымы, қолданылған жуғыш зат мөлшері, салынған кірлердің мөлшері мен түрі, жүктің теңестірілуі және таңдалған кез келген опциялар сияқты ықпалдарға байланысты болады.

Барлық сынақ мекемелері үшін:

- 1) Жуу циклын EN 50229 стандартына сәйкес тексеріңіз: 8 жуу циклын 60°C температурасымен таңдаңыз.
- 2) М/м бұйымдарына арналған ұзақ программа: 10 жуу циклын 40°C температурасымен таңдаңыз.



## Температураны орнату

Жуу температурасын орнату үшін ТЕМПЕРАТУРА түймесін басыңыз (Жуу циклдарының кестесін қараңыз). Температураны азайтуға немесе тіпті суық жууды орнатуға болады ❄️. Кір жуғыш машина әрбір жуу циклы үшін орнатылған ең көп мәннен жоғары температураны таңдауға автоматты түрде кедергі жасайды.

! Қиыс жағдай: 8 бағдарламасы таңдалса, температураны 90°C-қа дейін көтеруге болады.

## Кептіру циклын орнату

Екі түрлі кептіру қолданылуы мүмкін: **уақытқа негізделген** және **деңгейге негізделген**.

Қажетті кептіру ұзақтығын орнату үшін **УАҚЫТҚА НЕГІЗДЕЛГЕН КЕПТІРУ** түймесін басыңыз: **40' - 90' - 120' - 150' - 180'**.

Түйме бірінші рет басылған кезде, таңдалған уақыт орнатылған циклға қолдануға болатын ең аз уақыт болады. Құрылғы кептіру фазасын бастаған кезде, бұрын орнатылған кептіру ұзақтығын азайту үшін **УАҚЫТҚА НЕГІЗДЕЛГЕН КЕПТІРУ** түймесін қайта басыңыз.

Индикатор шамдары таңдалған жаңа кептіру ұзақтығын көрсетеді және қалған уақыт өткен уақытты есепке алады. Қажетті кептіру деңгейін орнату үшін **ДЕҢГЕЙГЕ НЕГІЗДЕЛГЕН КЕПТІРУ** түймесін басыңыз:

**Шкафқа қойылатындай құрғақ** : үтіктемей шкафқа қоятын заттар үшін қолайлы.

**Ілгекке ілінетіндей құрғақ** : толығымен кептіруді қажет етпейтін киімдер үшін қолайлы.

**Үтіктеу** : кейін үтіктелетін киімдер үшін қолайлы. Қалған ылғалдық қыртыстарды жұмсартып, оларды кетіруді жеңілдетеді.

Жуылып кептірілетін кірлердің салмағы белгіленген ең көп салмақтан едәуір көп болса, жуу циклын орындаңыз және цикл аяқталған кезде, киімдерді топтарға бөліп, кейбіреуін барабанға қайта салыңыз. Осы жерде, **«Тек кептіру»** циклы үшін берілген нұсқауларды орындаңыз. Қалған киімдер үшін осы үдерісті қайталаңыз. Әрбір кептіру циклының соңына әрқашан салқындау мерзімі қосылады.

**Ескертпе:** Барлық индикатор шамдары сөніп тұрса, құрылғы кептіру циклын **орындамайды**.

## Тек кептіру

Тек кептіру циклын орындау үшін түймесін басыңыз.

Қажетті циклды (киім түрімен үйлесімді) таңдағаннан кейін, жуу фазасын алып тастап, таңдалған цикл үшін кептіру фазасын ең жоғары деңгейде бастау үшін түймесін басыңыз. Кептіру деңгейі мен ұзақтығын X, X кептіру түймелерін басу арқылы орнатуға және өзгертуге болады , . (13- және 14-циклдармен үйлесімді емес).

## Функциялар

Осы кір жуғыш машинадағы әртүрлі жуу функциялары әрдайым қажетті нәтижелерге жетуге көмектеседі.

Функцияларды іске қосу үшін:

1. Қажетті функцияға сәйкес келетін түймені басыңыз;
2. тиісті индикатор шамы жанғанда функция қосылады.

## Ескертпе:

- Таңдалған функция бағдарламаланған жуу циклымен үйлесімді болмаса, тиісті индикатор шамы жыпылықтайды және функция қосылмайды.
- Таңдалған опция оған дейін таңдалған басқа опциямен үйлесімді болмаса, индикатор шамы жыпылықтап, сигнал беріледі (3 сигнал) және тек екінші опция қосылады; таңдалған опцияға сәйкес келетін индикатор шамы жанады.

## Дақтарды кетіру

Бұл опция дақтарды кетіру мақсатында циклды оңтайлы түрде реттеу үшін кір түрін таңдауға мүмкіндік береді. Төмендегі кір түрлерін таңдауға болады:

- **Тамақ**, мысалы тамақ пен сусын дақтары үшін.
- **Жұмыс**, мысалы май мен сия дақтары үшін.
- **Аула**, мысалы лай мен шөп дақтары үшін.

! Жуу циклының ұзақтығы таңдалған кір түріне байланысты әр түрлі болады.



Бұл түйме арқылы сығу жылдамдығы қысқарады.

## Қосымша шаю

Бұл опцияны таңдау арқылы шаюдың тиімділігі артады және жуғыш затты оңтайлы түрде шығару орындалады. Ол әсіресе сезімтал тері үшін пайдалы.

Кептіру уақыттарының кестесі (нұсқау ретінде берілген мәндер)

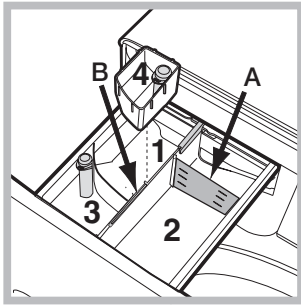
Мата түрі	Жүк түрі	Ең жоғ. жүк (кг)	Шкафқа қойылатындай құрғақ	Іліп қойылатындай құрғақ	Үтіктелгендей құрғақ
Мақта	Әртүрлі өлшемдегі киімдер, түкті орамалдар	5	250	210	190
Синтетика	Ақжаймалар, көйлектер, пижамалар, шұлықтар және т.б.	3	180	130	115
Жүн	Тоқылған киімдер, пуловерлер және т.б.	1,5	155	135	115

# Жуғыш заттар мен кірлер

KZ

## Жуғыш зат тартпасы

Ойдағыдай жуу нәтижесіне қол жеткізу жуғыш заттың дұрыс мөлшеріне де байланысты болады: тым көп жуғыш зат қосылса, жуу міндетті түрде тиімдірек болмайды және шынында құрылғы ішінде қалдықтардың түзілуіне және қоршаған ортаны ластауға әкелуі мүмкін. **! Қолмен жууға арналған жуғыш заттарды қолданбаңыз;; олар тым көп көбік түзеді.**



Жуғыш зат тартпасын ашып, жуғыш затты немесе жуғыш қосындыны төмендегідей салыңыз.

### 1-бөлік: Алдын-ала жууға арналған жуғыш зат (ұнтақ)

Жуғыш затты салмас бұрын, қосымша 4-бөлік алынғанына көз жеткізіңіз.

### 2-бөлік: Жуғыш зат (ұнтақ немесе сұйық)


Сұйық жуғыш зат пайдаланылса, дұрыс мөлшерлеу үшін ауыстырмалы пластикалық **A** өлшеу бөлігін қолданған жөн. Ұнтақ жуғыш зат пайдаланылса, бөлікті **B** ұясына қойыңыз.

### 3-бөлік: Қосындылар (кондиционерлер және т.б.)

Кондиционер орталық бөлімде көрсетілген «max» деңгейінен аспауы тиіс.

### Қосымша 4-бөлік: Ағартқыш

#### Ағартқыш

Қосымша 4-бөлікті (берілген) 1-бөлікке салыңыз. Ағартқышты құйған кезде орталық бөлімде көрсетілген «max» деңгейінен асырмаңыз. Ағартқышты қосымша 4-бөлікке құйып, бағдарламаны  орнату арқылы ағартуды орындаңыз.

**! Өдеттегі ағартқышты төзімді ақ маталарға, ал нәзік ағартқышты түрлі түсті және синтетикалық маталарға, сондай-ақ жүнге қолдану керек.**

## Кірлерді дайындау

- Кірлерді мына жағдайларға байланысты бөліңіз:
  - мата түрі/жапсырмадағы таңба
  - түстер: түрлі-түсті киімдерді ақ киімдерден бөліңіз.
- Қалталарды босатып, түймелерді тексеріңіз.
- «Жуу цикларының кестесі» атты кестедегі мәндерден асырып жібермеңіз, онда кірлердің құрғақ кездегі салмағы берілген.


### Кірлердің салмағы қандай?

- 1 ақжайма 400-500 г
- 1 жастыққап 150-200 г
- 1 асжаулық 400-500 г
- 1 монша халаты 900-1200 г
- 1 орнамал 150-250 г

## Арнайы күтімді қажет ететін киімдер

**Спорттық жеңіл** (бағдарламасы **1**) аз ластанған спорттық киімдерді (спорттық костюмдер, шолақ шалбарлар және т.б.) жууға арналған; ең жақсы нәтижеге қол жеткізу үшін «Жуу цикларының кестесі» көрсетілген ең көп жүк мөнінен асып кетпеу жөн. Сұйық жуғыш затты жартылай жүктеуге қолайлы мөлшерде қолдануды ұсынамыз.

**Қою түстер:** Қою түсті киімдерді жуу үшін **2** бағдарламасын қолданыңыз. Бағдарлама қою түстерді сақтау үшін арналған. Ең жақсы нәтижеге қол жеткізу үшін сұйық жуғыш затты пайдаланған жөн, әсіресе қою түсті киімдерді жуған кезде.

Кептіру функциясын таңдаған кезде, жуу циклының соңында құрылғы киімдердің түстерін сақтайтын нәзік кептіру циклын автоматты түрде орындайды. Дисплейде «» деңгейі көрсетіледі. Макс. салмақ: 2,5 кг

**Иіске қарсы:** **3** бағдарламасын иісі жағымсыз (мысалы, түтін, тер, қуырылған тағам) киімдерді жуу үшін қолданыңыз. Бағдарлама матаның талшықтарын сақтай отырып, жағымсыз иістерді кетіруге арналған.

Синтетикалық маталарды немесе аралас кірлерді 40°-та, ал төзімді түрлі-түсті маталарды 60°-та жуған жөн.

**Нәзік киімдерді:** өте сезімтал киімдерді жуу үшін **4** бағдарламасын қолданыңыз. Жумас бұрын киімдердің ішін сыртқа қаратқан жөн. Ең жақсы нәтижеге қол жеткізу үшін нәзік киімдермен сұйық жуғыш затты пайдаланыңыз.

Тек уақытқа негізделген кептіру функциясын таңдаған кезде абайлап өңдеу мен су ағынының температурасын тиісті түрде басқару арқасында аса нәзік болатын жуу циклының соңында кептіру циклы орындалады.

Ұсынылған мерзімдер мынадай:

1 кг синтетикалық киімдер --> 150 мин

1 кг синтетикалық және мақта киімдер --> 180 мин

1 кг мақта киімдер --> 180 мин

Құрғақтық деңгейі жүктеме мен мата құрамына байланысты болады.

**Жүн:** осы құрылғының «Жүн» жуу циклы киім жапсырмасындағы нұсқауларды және осы кір жуғыш машина өндірушісінің нұсқауларын орындау шартымен, The Woolmark Company тарапынан «қолмен жуу» деп белгіленген жүн киімдерін жууға тексеріліп, құпталған. (M1126)



**Жылдам 30'** (бағдарламасын **6**): Жылдам 30' циклы ең көбі 3 кг аз кірленген киімдерді 30°-та (жүн мен жібек заттарды қоспағанда) қысқа уақытта жуу үшін арналған: ол тек 30 минут жұмыс істеп, уақыт пен қуатты үнемдеуге мүмкіндік береді.

**Түрлі-түсті киімдер:** **10** циклын ашық түрлі-түсті киімдерді жуу үшін қолданыңыз. Бағдарлама ашық түстерді сақтау үшін арналған.

**Есо Мақта 20°** (бағдарламасын **11**): циклы қатты кірленген мақта жүктемелеріне тамаша қолайлы. 40°-та жууға салыстыруға болатын төмен температураларда қол жеткізілетін тиімді өнімділік деңгейлері ауыспалы жылдамдықта қайталанбалы әрі жиі жоғары жүктемемен орындалатын механикалық әрекеттермен қамтамасыз етіледі.

**Есо Синтетика** (бағдарламасын **12**) циклы кірлену деңгейі орташа аралас жүктемелер (мақта және синтетика) үшін қолайлы. Төмен температураларда қол жеткізілетін тиімді өнімділік деңгейлері ауыспалы жылдамдықта орнатылған орташа аралықтармен орындалатын механикалық әрекеттермен қамтамасыз етіледі.

**Жуу мен кептіру 45'**: аз ластанған киімдерді (мақта және синтетикалық) аз уақытта жуып, кептіру үшін **13** бағдарламасын таңдаңыз. Бұл циклды 1 кг-ға дейінгі кірді 45 минутта жуып, кептіру үшін қолдануға болады.

Оңтайлы нәтижелерге қол жеткізу үшін сұйық жуғыш затты қолданыңыз, сондай-ақ, жеңдерді, жағаларды және дақтарды алдын ала өңдеңіз.

**AirFresh** (бағдарламасын **14**) жуу фазасын қолданбай-ақ, 30 минутта мақта және синтетикалық заттардан (ең көбі 1,5 кг) жағымсыз иістерді, әсіресе түтін иісін кетіру және киімдерді жаңарту үшін қолайлы цикл.

Кір жуғыш машина жұмыс істемей қалуы мүмкін. Техникалық көмек көрсету орталығына хабарласпас бұрын («Көмек» тарауын қараңыз), төмендегі тізімді қолдана отырып ақаулықты оңай шешу мүмкін емес екендігіне көз жеткізіңіз.

## Ақаулық:

Кір жуғыш машина қосылмайды.

Жуу циклы басталмайды.

Кір жуғыш машина су алмайды (жуу циклының бірінші кезеңінің индикатор шамы жылдам жыпылықтайды).

Кір жуғыш машина сумен толып, оны ағызып тұра береді.

Кір жуғыш машина суды ағызбайды не сықпайды.

Кір жуғыш машина сығу циклы барысында көп дірілдейді.

Кір жуғыш машинадан су ағады.

«Функциялар» индикатор шамдары мен «START/PAUSE» индикатор шамы жыпылықтайды, ал «орындалып жатқан кезең» индикатор шамдарының бірі мен «есік құлыптаулы» индикатор шамы қалыпты түрде жанып тұрады.

Тым көп көбік болады.

Басып жуу қосылмайды.

Кір жуғыш-кептіргіш машина кептірмейді.

## Ықтимал себептері / шешімдері:

- Құрылғы розеткаға толығымен қосылмаған немесе түйіспейді.
- Үйде ток жоқ.
- Кір жуғыш машина есігі дұрыс жабылмаған.
- ON/OFF түймесі басылмаған.
- START/PAUSE түймесі басылмаған.
- Су шүмегі ашылмаған.
- Судың кіріс түтігі шүмекке қосылмаған.
- Түтік майыстырылған.
- Су шүмегі ашылмаған.
- Үйде су жоқ.
- Қысым тым төмен.
- START/PAUSE түймесі басылмаған.
- Ағызу түтігі еденнен 65-100 см биіктікте орналастырылмаған («Орнату» тарауын қараңыз).
- Түтіктің бос шеті су астында («Орнату» тарауын қараңыз).
- Қабырғадағы канализация жүйесі сапун құбырымен жабдықталмаған. Осы тексерулерден кейін де проблема шешілмесе, су шүмегін жауып, құрылғыны өшіріңіз де, Көмек беру қызметіне хабарласыңыз. Егер ғимараттың жоғарғы қабаттарының бірінде тұратын болсаңыз, суды ағызуға байланысты проблемалар болуы мүмкін, оның нәтижесінде кір жуғыш машина сумен толып, оны ағызып тұра беруі мүмкін. Дүкендерде арнайы ағызуға қарсы клапандар бар, олар бұл проблеманы шешуге көмектеседі.
- Жуу циклында ағызу жоқ: кейбір жуу циклдары ағызу кезеңінің қолмен басталуын қажет етеді.
- Ағызу түтігі майысқан («Орнату» тарауын қараңыз).
- Ағызу түтігі бітелген.
- Орнату кезінде бараанның бұғаты дұрыс алынбаған («Орнату» тарауын қараңыз).
- Кір жуғыш машина тұзу емес («Орнату» тарауын қараңыз).
- Кір жуғыш машина шкафтар мен қабырғалар арасына қойылған («Орнату» тарауын қараңыз).
- Судың кіріс түтігі дұрыс бұралып мықталмаған («Орнату» тарауын қараңыз).
- Жуғыш зат тартпасы бітелген (оны тазалау туралы нұсқауларды «Күтім көрсету және техникалық қызмет көрсету» тарауынан қараңыз).
- Ағызу түтігі дұрыс бекітілмеген («Орнату» тарауын қараңыз).
- Құрылғыны өшіріп, оны токтан ағытыңыз, одан кейін шамамен 1 минут күтіңіз де, оны қайтадан қосыңыз. Проблема шешілмесе, Техникалық көмек көрсету қызметіне хабарласыңыз.
- Жуғыш зат кір жуғыш машинаға қолайлы емес (онда «кір жуғыш машиналарға арналған», «қолмен жууға және кір жуғыш машинаға арналған» немесе осыған ұқсас жазу болуы керек).
- Тым көп жуғыш зат қолданылған.
- Құрылғыны қосқаннан кейін Push & Wash + Dry басқа басқару тетігі қосылған. Құрылғыны өшіріп, Push & Wash + Dry түймесін басыңыз.
- Құрылғы розеткаға қосылмаған немесе түйісу үшін жеткілікті емес.
- Ток өшкен.
- Құрылғы есігі дұрыс жабылмаған.
- Барлық кептіру индикатор шамдары сөніп тұр.

## Техникалық қолдау орталығына хабарласпас бұрын:

- Ақаулықты өзіңіз шеше алатыныңызды тексеріңіз («Ақаулықтарды жою» тарауын қараңыз);
- Ақаулық шешілгенін тексеру үшін бағдарламаны қайтадан бастаңыз;
- Олай болмаса, кепілдік куәлігінде берілген телефон нөмірі бойынша өкілетті Техникалық көмек беру орталығына хабарласыңыз.

! Тек уәкілетті мамандардан көмек сұраңыз.

## Келесі мәліметтерді оңай жерде ұстаңыз:

- ақаулықтың түрі;
- құрылғының моделі (Мод.);
- сериялық нөмірі (С/н).

Бұл ақпаратты кір жуғыш машинаның артқы жағына бекітілген және есікті ашу арқылы құрылғының алдынан көруге болатын техникалық деректер тақтасынан табуға болады.