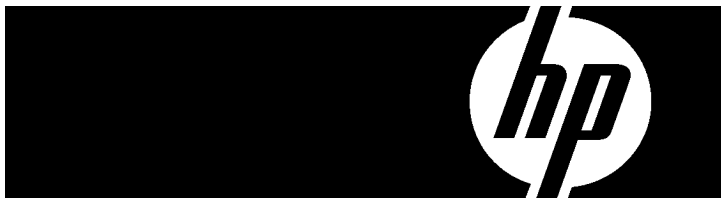


# PCI-X Expansion Slot Riser Option Installation Instructions

for the HP ProLiant DL/ML370 G6 Server



## Overview

This document provides instructions to install an optional PCI-X expansion slot riser.

The PCI-X expansion slot riser option provides two PCI-X slots for additional expansion board capability.

To install a PCI-X expansion slot riser, the redundant fan option kit is required. To obtain the redundant fan option kit, contact an HP authorized reseller.

To install the redundant fan option, see the documentation that ships with the option, or see the server user guide.

## Kit contents

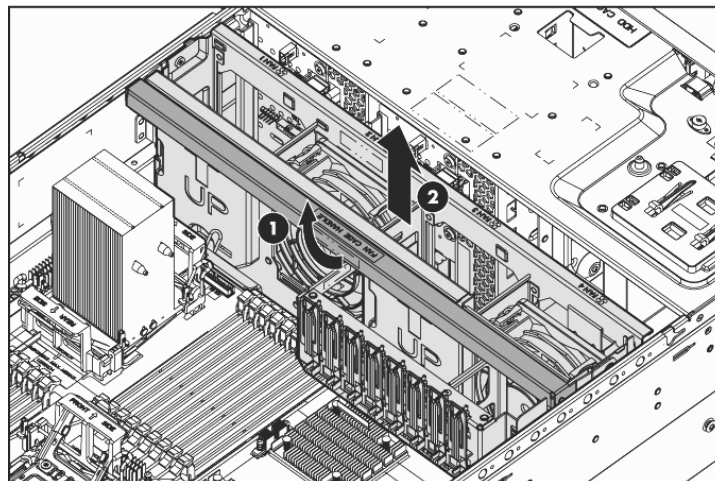
- PCI-X expansion slot riser
- PCI-X baffle
- PCI-X baffle push rivets (4)
- Power cable
- SAS cable
- Pass-through expansion board
- This document

## Installing the PCI-X expansion slot riser

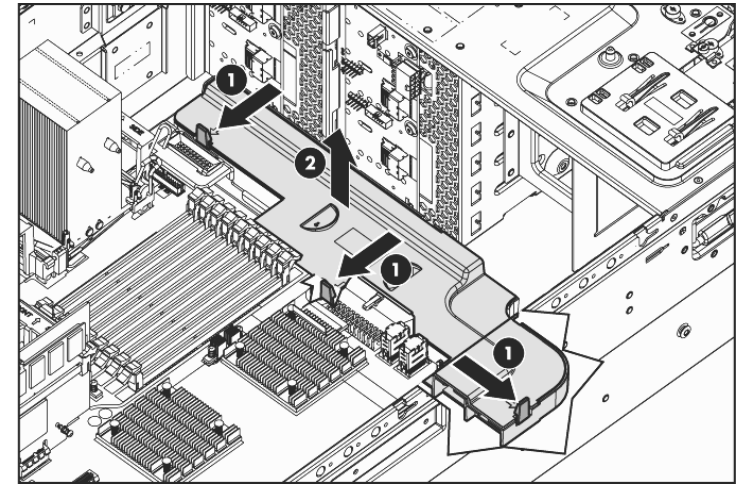
**CAUTION:** To prevent damage to the server or expansion boards, power down the server and remove all AC power cords before removing or installing the PCI-X expansion slot riser.

To install the component:

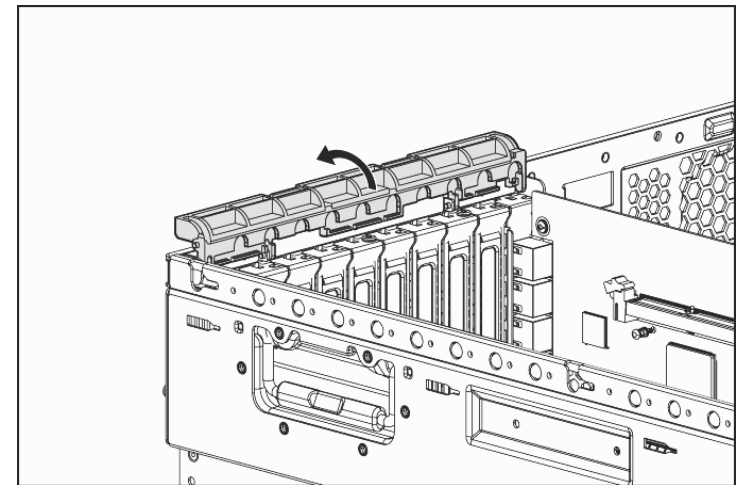
1. Power down the server.
2. Do one of the following:
  - o Open or remove the tower bezel, as needed.
  - o Extend the server from the rack.
3. Remove the access panel.
4. Remove the air baffle.
5. Remove the fan cage.



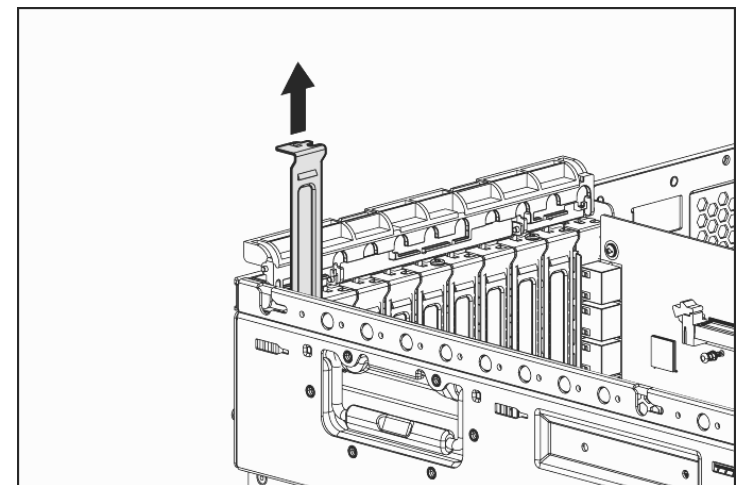
6. Remove the cable management box cover.



7. Open the expansion board slot retainer.



8. Remove the expansion slot cover from PCIe slot 1.



© Copyright 2009 Hewlett-Packard Development Company, L.P.

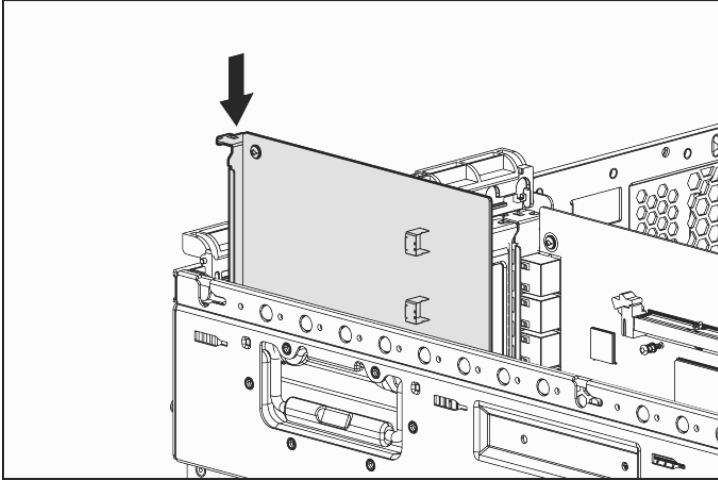
The information contained herein is subject to change without notice. The only warranties for HP products and services are set forth in the express warranty statements accompanying such products and services. Nothing herein should be construed as constituting an additional warranty. HP shall not be liable for technical or editorial errors or omissions contained herein.

Part Number 516018-002  
May 2009 (Second Edition)



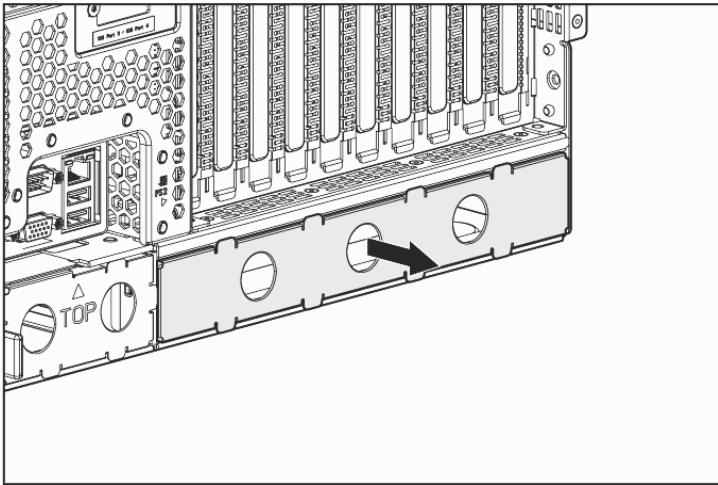
516018-002

9. Install the pass-through expansion board.

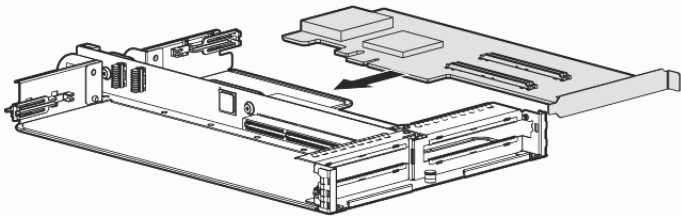


10. Close the expansion slot retainer.

11. Remove the PCI-X expansion slot riser blank.

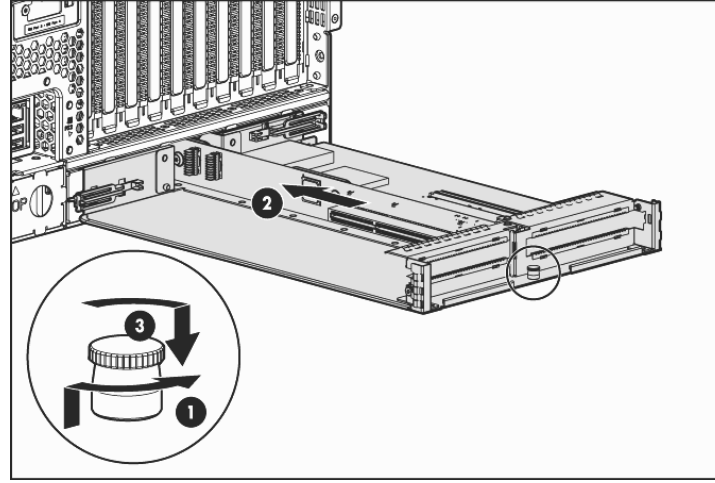


12. Remove the PCI-X expansion slot cover, and then install a PCI-X expansion board in the PCI-X expansion slot riser.

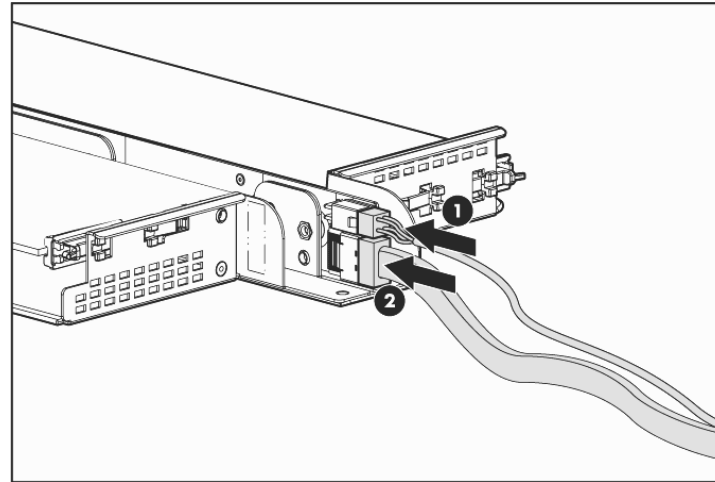


13. To install a second PCI-X expansion board, remove the second PCI-X expansion slot cover, and then install the PCI-X expansion board.

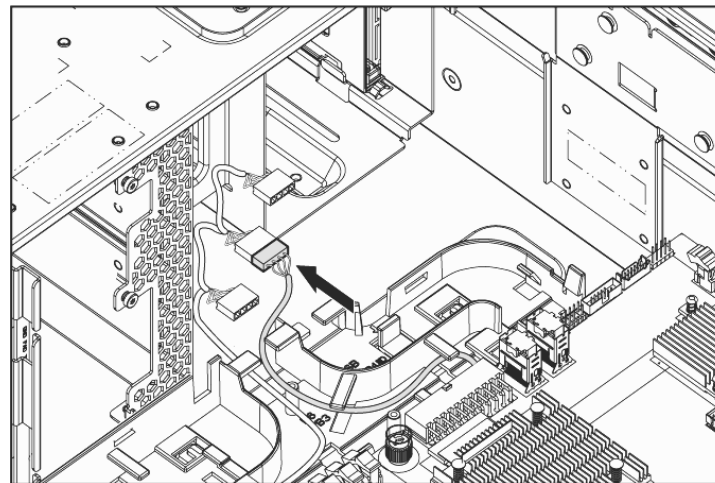
14. Install the PCI-X expansion slot riser assembly.



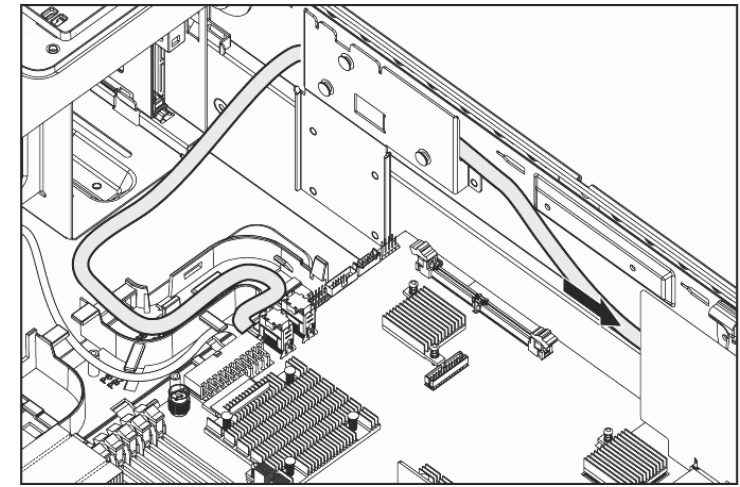
15. Connect the PCI-X expansion slot riser power cable and the SAS cable to the PCI-X expansion slot riser backplane. The server is not shown for clarity.



16. Route the PCI-X expansion slot riser power cable through the cable management box and then connect the cable to an available system power cable. Additional server cabling is not shown for clarity.

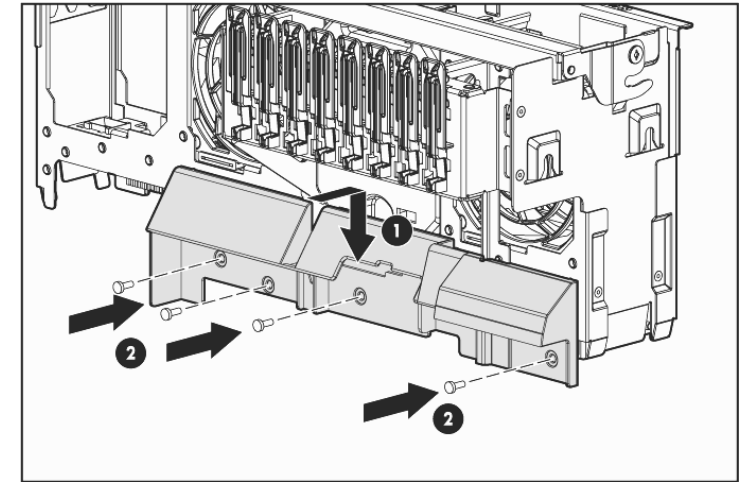


17. Route the SAS cable through the cable management box and then connect it to the pass-through expansion board.



18. Install the cable management box cover.

19. Install the PCI-X baffle.



20. Install the fan cage.  
21. Install the air baffle.  
22. Install the access panel.  
23. Do one of the following:
  - o Close or install the tower bezel, as needed.
  - o Slide the server back into the rack.24. Connect any external cables to the PCI-X expansion boards.  
25. Power up the server.

The installation is complete.