


# Instructions for use

WASHER-DRYER

 This symbol reminds you to read this instruction manual.

GB

**GB**

English,1

**ES**

Español,13

**PT**

Português,25

**HU**

Magyar,37

**DE**

Deutsch,49

**RO**

Română,61

**RU**

Русский,73

**FDG 8640**

## Contents

### Installation, 2-3

Unpacking and levelling  
Connecting the electricity and water supplies  
The first wash cycle  
Technical data

### Care and maintenance, 4

Cutting off the water and electricity supplies  
Cleaning the washer-dryer  
Cleaning the detergent dispenser drawer  
Caring for the door and drum of your appliance  
Cleaning the pump  
Checking the water inlet hose

### Precautions and advice, 5

General safety  
Disposal  
Opening the porthole door manually

### Description of the washer-dryer, 6-7

Control panel  
Display

### How to run a wash cycle or a drying cycle, 8

### Wash cycles and options, 9

Table of programmes and wash cycles  
Wash options

### Detergents and laundry, 10

Detergent dispenser drawer  
Preparing the laundry  
Special wash cycles  
Load balancing system

### Troubleshooting, 11

### Service, 12

 **Hotpoint**  

---

**ARISTON**

# Installation

GB

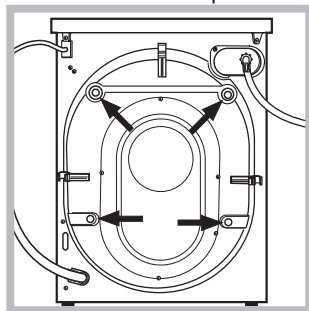
! This instruction manual should be kept in a safe place for future reference. If the washer-dryer is sold, transferred or moved, make sure that the instruction manual remains with the machine so that the new owner is able to familiarise himself/herself with its operation and features.

! Read these instructions carefully: they contain vital information relating to the safe installation and operation of the appliance.

## Unpacking and levelling

### Unpacking

1. Remove the washer-dryer from its packaging.
2. Make sure that the washer-dryer has not been damaged during the transportation process. If it has been damaged, contact the retailer and do not proceed any further with the installation process.



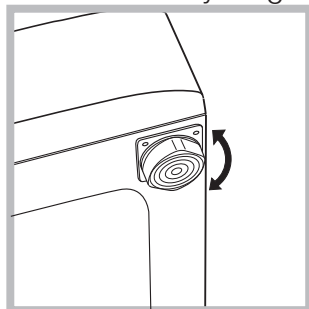
3. Remove the 4 protective screws (used during transportation) and the rubber washer with the corresponding spacer, located on the rear part of the appliance (see figure).

4. Close off the holes using the plastic plugs provided.
5. Keep all the parts in a safe place: you will need them again if the washer-dryer needs to be moved to another location.

! Packaging materials should not be used as toys for children.

### Levelling

1. Install the washer-dryer on a flat sturdy floor, without resting it up against walls, furniture cabinets or anything else.



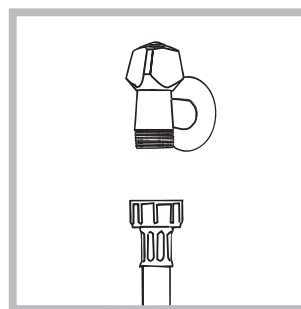
exceed 2°.

2. If the floor is not perfectly level, compensate for any unevenness by tightening or loosening the adjustable front feet (see figure); the angle of inclination, measured in relation to the worktop, must not

Levelling the machine correctly will provide it with stability, help to avoid vibrations and excessive noise and prevent it from shifting while it is operating. If it is placed on carpet or a rug, adjust the feet in such a way as to allow a sufficient ventilation space underneath the washer-dryer.

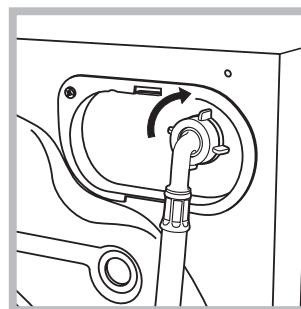
## Connecting the electricity and water supplies

### Connecting the water inlet hose



1. Connect the inlet hose by screwing it to a cold water tap using a 3/4 gas threaded connection (see figure).

Before performing the connection, allow the water to run freely until it is perfectly clear.



2. Connect the inlet hose to the washer-dryer by screwing it onto the corresponding water inlet of the appliance, which is situated on the top right-hand side of the rear part of the appliance (see figure).

3. Make sure that the hose is not folded over or bent.

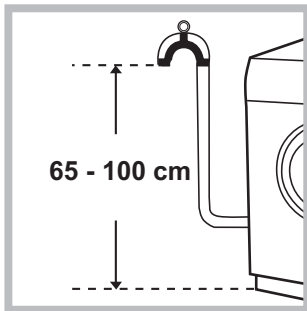
! The water pressure at the tap must fall within the range of values indicated in the Technical data table (see next page).

! If the inlet hose is not long enough, contact a specialised shop or an authorised technician.

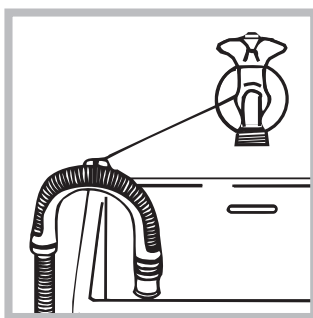
! Never use second-hand hoses.

! Use the ones supplied with the machine.

## Connecting the drain hose



Connect the drain hose, without bending it, to a drain duct or a wall drain situated between 65 and 100 cm from the floor;



alternatively, placed it over the edge of a basin, sink or tub, fastening the duct supplied to the tap (see figure). The free end of the hose should not be underwater.

! We advise against the use of hose extensions; if it is absolutely necessary, the extension must have the same diameter as the original hose and must not exceed 150 cm in length.

## Electrical connections

Before plugging the appliance into the electricity socket, make sure that:

- the socket is earthed and complies with all applicable laws;
- the socket is able to withstand the maximum power load of the appliance as indicated in the Technical data table (see *opposite*);
- the power supply voltage falls within the values indicated in the Technical data table (see *opposite*);
- the socket is compatible with the plug of the washer-dryer. If this is not the case, replace the socket or the plug.

! The washer-dryer must not be installed outdoors, even in covered areas. It is extremely dangerous to leave the appliance exposed to rain, storms and other weather conditions.

! When the washer-dryer has been installed, the electricity socket must remain within easy reach.

! Do not use extension cords or multiple sockets.


! The cable should not be bent or compressed.

! The power supply cable must only be replaced by authorised technicians.

Warning! The company shall not be held responsible in the event that these standards are not observed.

## The first wash cycle

Once the appliance has been installed, and before you use it for the first time, run a wash cycle with detergent and no laundry, using wash cycle auto clean (see "Cleaning the washer-dryer").

Technical data	
<b>Model</b>	FDG 8640
<b>Dimensions</b>	width 59.5 cm height 85 cm depth 60,5 cm
<b>Capacity</b>	from 1 to 8 kg for the wash programme from 1 to 6 kg for the drying programme
<b>Electrical connections</b>	please refer to the technical data plate fixed to the machine
<b>Water connections</b>	maximum pressure 1 MPa (10 bar) minimum pressure 0.05 MPa (0.5 bar) drum capacity 62 litres
<b>Spin speed</b>	up to 1400 rotations per minute
<b>Energy rated programmes according to regulation EN 50229</b>	<b>Wash:</b> programme 4; temperature 60°C; using a load of 8 kg. <b>Drying:</b> the smaller load (2kg) must be dried by selecting the "A1" (IRON) dryness level. The load must consist of 2 sheets, 1 pillowcase and 1 hand towel; the remainder of the load must be dried by selecting the "A4" (EXTRA) dryness level.
	This appliance conforms to the following EC Directives: - 2004/108/EC (Electromagnetic Compatibility) - 2006/95/EC (Low Voltage) - 2012/19/EU

# Care and maintenance

GB

## Cutting off the water and electricity supplies

- Turn off the water tap after every wash cycle. This will limit wear on the hydraulic system inside the washer-dryer and help to prevent leaks.
- Unplug the washer-dryer when cleaning it and during all maintenance work.

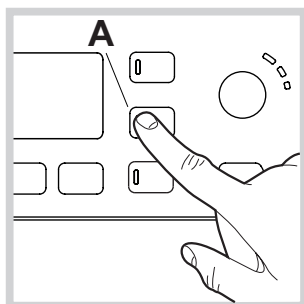
## Cleaning the washer-dryer

- The outer parts and rubber components of the appliance can be cleaned using a soft cloth soaked in lukewarm soapy water. Do not use solvents or abrasives.
- The washer-dryer has a “Auto Clean” programme for its internal parts that **must be run with no load in the drum**.

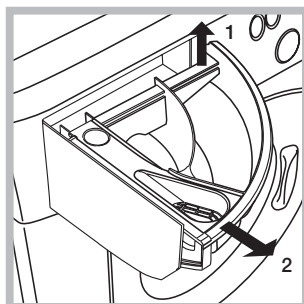
To help the wash cycle you may want to use either the detergent (i.e. a quantity 10% the quantity specified for lightly-soiled garments) or special additives to clean the washer-dryer. We recommend running a cleaning programme every 40 wash cycles.

To start the programme press button **A** for 5 seconds (see figure).

The programme will start automatically and will run for about 70 minutes. To stop the cycle press the START/PAUSE button.



## Cleaning the detergent dispenser drawer



Remove the dispenser by raising it and pulling it out (see figure). Wash it under running water; this operation should be repeated frequently.

## Caring for the door and drum of your appliance

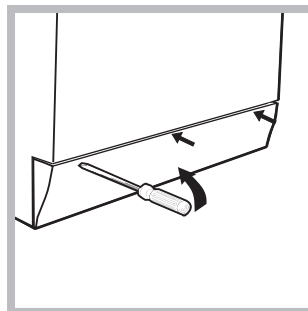
- Always leave the porthole door ajar in order to prevent unpleasant odours from forming.

## Cleaning the pump

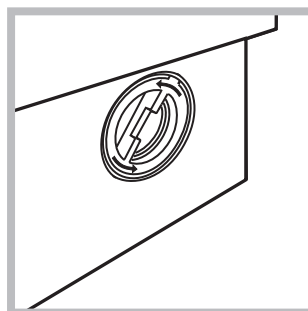
The washer-dryer is fitted with a self-cleaning pump which does not require any maintenance. Sometimes, small items (such as coins or buttons) may fall into the pre-chamber which protects the pump, situated in its bottom part.

! Make sure the wash cycle has finished and unplug the appliance.

To access the pre-chamber:



1. using a screwdriver, remove the cover panel on the lower front part of the washer-dryer (see figure);



2. unscrew the lid by rotating it anti-clockwise (see figure): a little water may trickle out. This is perfectly normal;

3. clean the inside thoroughly;
4. screw the lid back on;
5. reposition the panel, making sure the hooks are securely in place before you push it onto the appliance.

## Checking the water inlet hose

Check the inlet hose at least once a year. If there are any cracks, it should be replaced immediately: during the wash cycles, water pressure is very strong and a cracked hose could easily split open.

! Never use second-hand hoses.

! This washer-dryer was designed and constructed in accordance with international safety regulations. The following information is provided for safety reasons and must therefore be read carefully.

## General safety

- This appliance was designed for domestic use only.
  - This appliance can be used by children aged from 8 years and above and persons with reduced physical, sensory or mental capabilities or lack of experience and knowledge if they have been given supervision or instruction concerning use of the appliance in a safe way and understand the hazards involved. Children shall not play with the appliance. Cleaning and user maintenance shall not be made by children without supervision.
    - Do not dry unwashed items in the tumble dryer.
    - Items that have been soiled with substances such as cooking oil, acetone, alcohol, petrol, kerosene, spot removers, turpentine, waxes and wax removers should be washed in hot water with an extra amount of detergent before being dried in the tumble dryer.
    - Items such as foam rubber (latex foam), shower caps, waterproof textiles, rubber backed articles and clothes or pillows fitted with foam rubber pads should not be dried in the tumble dryer.
    - Fabric softeners, or similar products, should be used as specified by the fabric softener instructions.
    - The final part of a tumble dryer cycle occurs without heat (cool down cycle) to ensure that the items are left at a temperature that ensures that the items will not be damaged.
- WARNING:** Never stop a tumble dryer before the end of the drying cycle unless all items are quickly removed and spread out so that the heat is dissipated.
- Do not touch the machine when barefoot or with wet or damp hands or feet.
  - Do not pull on the power supply cable when unplugging the appliance from the electricity socket. Hold the plug and pull.
  - Do not open the detergent dispenser drawer while the machine is in operation.
  - Do not touch the drained water as it may reach extremely high temperatures.
  - Never force the porthole door. This could damage the safety lock mechanism designed to prevent accidental opening.
  - If the appliance breaks down, do not under any circumstances access the internal mechanisms in an attempt to repair it yourself.
  - Always keep children well away from the appliance while it is operating.
  - The door can become quite hot during the wash cycle.
  - If the appliance has to be moved, work in a group of two or three people and handle it with the utmost care. Never try to do this alone, because the appliance is very heavy.
  - Before loading laundry into the washer-dryer, make sure the drum is empty.
  - During the drying phase, the door tends to get quite hot.
  - Do not use the appliance to dry clothes that have been washed with flammable solvents (e.g. trichlorethylene).
  - Do not use the appliance to dry foam rubber or similar elastomers.

- Make sure that the water tap is turned on during the drying cycles.
- Children of less than 3 years should be kept away from the appliance unless continuously supervised.
- Remove all objects from pockets such as lighters and matches.

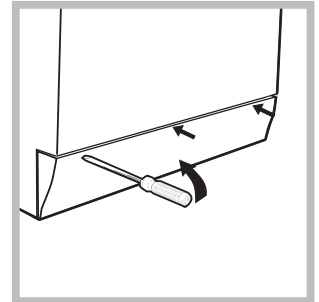
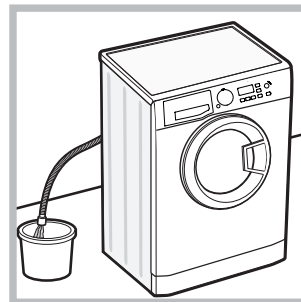
## Disposal

- Disposing of the packaging materials: observe local regulations so that the packaging may be re-used.
- The European Directive 2012/19/EU on Waste Electrical and Electronic Equipment, requires that old household electrical appliances must not be disposed of in the normal unsorted municipal waste stream. Old appliances must be collected separately in order to optimise the recovery and recycling of the materials they contain and reduce the impact on human health and the environment. The crossed out "wheeled bin" symbol on the product reminds you of your obligation, that when you dispose of the appliance it must be separately collected. Consumers should contact their local authority or retailer for information concerning the correct disposal of their old appliance.

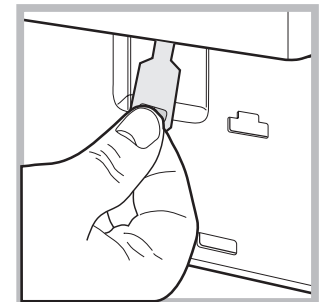
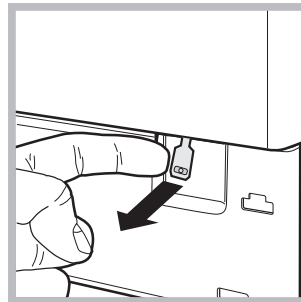
## Opening the porthole door manually

In the event that it is not possible to open the porthole door due to a powercut, and if you wish to remove the laundry, proceed as follows:

1. remove the plug from the electrical socket.



2. make sure the water level inside the machine is lower than the door opening; if it is not, remove excess water using the drain hose, collecting it in a bucket as indicated in the figure.
3. using a screwdriver, remove the cover panel on the lower front part of the washer-dryer (see figure).

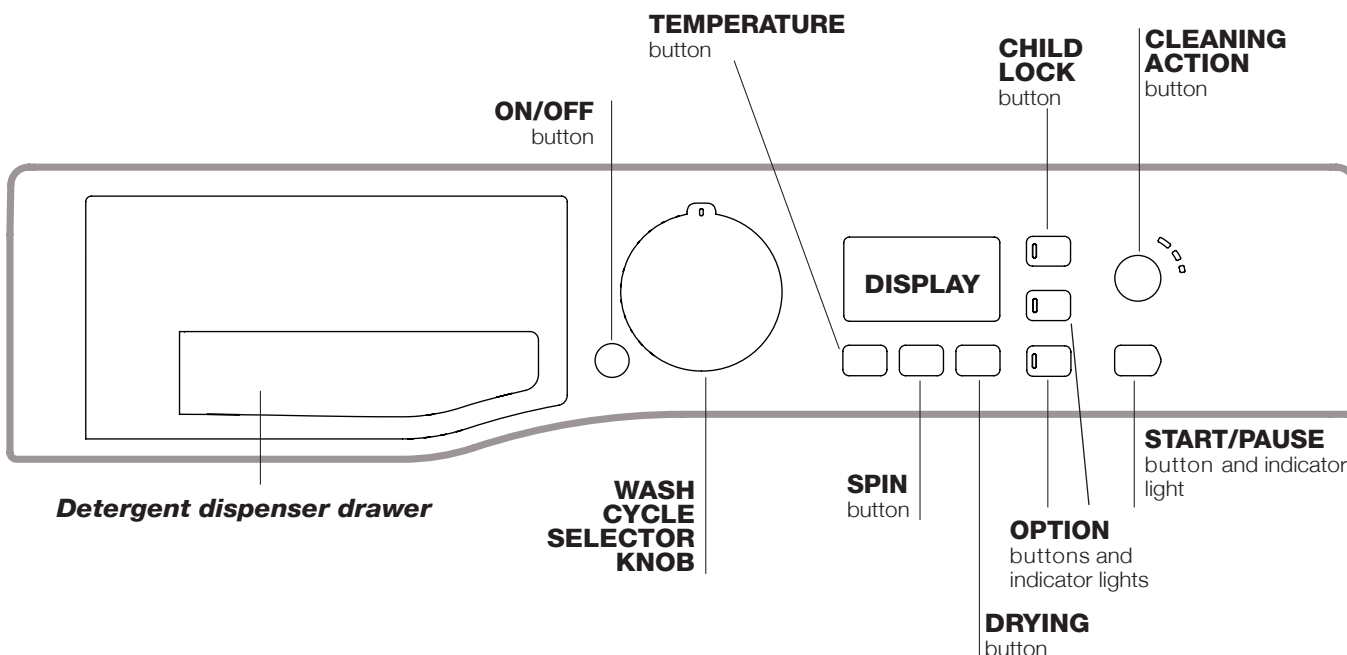


4. pull outwards using the tab as indicated in the figure, until the plastic tie-rod is freed from its stop position; pull downwards and open the door at the same time.
5. reposition the panel, making sure the hooks are securely in place before you push it onto the appliance.


# Description of the washer-dryer

GB

## Control panel




**Detergent dispenser drawer:** used to dispense detergents and washing additives (see “Detergents and laundry”).


**ON/OFF**  button: press this briefly to switch the machine on or off. The START/PAUSE indicator light which flashes slowly in a green colour shows that the machine is switched on. To switch off the washer-dryer during the wash cycle, press and hold the button for approximately 3 seconds; if the button is pressed briefly or accidentally the machine will not switch off.


If the machine is switched off during a wash cycle, this wash cycle will be cancelled.


**WASH CYCLE SELECTOR KNOB:** used to set the desired wash cycle (see “Table of programmes and wash cycles”).


**OPTION** buttons and indicator lights: press to select the available options. The indicator light corresponding to the selected option will remain lit.


**CLEANING ACTION** button : to select the desired wash intensity.

**TEMPERATURE**  button: press to reduce or completely exclude the temperature; the value appears on the display.

**SPIN**  button: press to reduce or completely exclude the spin cycle; the value appears on the display.

**DRYING** button : press to decrease or exclude drying; the selected drying level or time will appear on the display.

**START/PAUSE** button and indicator light: when the green indicator light flashes slowly, press the button to start a wash cycle. Once the cycle has begun the indicator light will remain lit in a fixed manner. To pause the wash cycle, press the button again; the indicator light will flash in an amber colour. If the  symbol is not illuminated, the door may be opened. To start the wash cycle from the point at which it was interrupted, press the button again.

**CHILD LOCK** button: to activate the control panel lock, press and hold the button for approximately 2 seconds. When the symbol  is illuminated, the control panel is locked (apart from the ON/OFF button). This means it is possible to prevent wash cycles from being modified accidentally, especially where there are children in the home. To deactivate the control panel lock, press and hold the button for approximately 2 seconds.

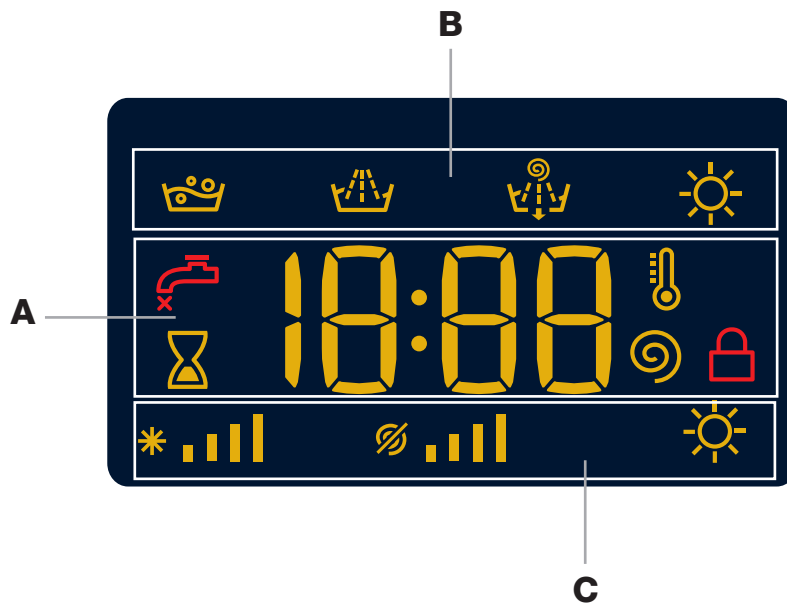
### Standby mode

This washer-dryer, in compliance with new energy saving regulations, is fitted with an automatic standby system which is enabled after about 30 minutes if no activity is detected. Press the ON-OFF button briefly and wait for the machine to start up again.

Consumption in off-mode: 0,5 W

Consumption in Left-on: 8 W

## Display




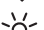


The display is useful when programming the machine and provides a great deal of information.

The duration of the available wash cycles and the remaining time of a running cycle appear in section **A** (the display will show the maximum duration of the cycle chosen, which may decrease after several minutes, since the effective duration of the programme varies depending on the wash load and the settings chosen); if the DELAYED START option has been set, the countdown to the start of the selected wash cycle will appear.

Moreover, pressing the relative button allows for visualising the maximum values for the temperature, spin speed or type of drying relative to the selected programme or the most recently selected ones, if compatible with the selected programme.

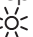
The “wash cycle phases” corresponding to the selected wash cycle and the “wash cycle phase” of the running wash cycle appear in section **B**:

-  Main wash
-  Rinse
-  Spin/Pump out
-  Drying


The icons corresponding to “temperature”, “spin” and “drying” (working from the left) are displayed in section **C**.

The “temperature” bars \*  indicate the maximum temperature level which may be selected for the set cycle.

The “spin” bars  indicate the maximum spin level which may be selected for the set cycle.




The  symbol lights up while the drying settings are being adjusted.

**DOOR LOCKED**  indicator light:


The lit symbol indicates that the door is locked. To prevent any damage, wait until the symbol turns off before opening the door. To open the door while a cycle is in progress, press the START/PAUSE button; if the DOOR LOCKED  symbol is switched off the door may be opened.

# How to run a wash cycle or a drying cycle

GB

1. **SWITCH THE MACHINE ON.** Press the  button; the START/PAUSE indicator light will flash slowly in a green colour.
2. **LOAD THE LAUNDRY.** Open the porthole door. Load the laundry, making sure you do not exceed the maximum load value indicated in the table of programmes and wash cycles on the following page.
3. **MEASURE OUT THE DETERGENT.** Pull out the detergent dispenser drawer and pour the detergent into the relevant compartments as described in “*Detergents and laundry*”.
4. **CLOSE THE DOOR.**
5. **SELECT THE WASH CYCLE.** Use the WASH CYCLE SELECTOR knob to select the desired wash cycle. A temperature and spin speed is set for each wash cycle; these values may be adjusted. The duration of the cycle will appear on the display.
6. **CUSTOMISE THE WASH CYCLE.** Use the relevant buttons:  
**Modify the temperature and/or spin speed.** The machine automatically displays the maximum temperature and spin speed values set for the selected cycle, or the most recently-used settings if they are compatible with the selected cycle. The temperature can be decreased by pressing the  button, until the cold wash “OFF” setting is reached. The spin speed may be progressively reduced by pressing the  button, until it is completely excluded (the “OFF” setting). If these buttons are pressed again, the maximum values are restored.  
**! Exception:** if the 4 programme is selected, the temperature can be increased up to a value of 90°C (+ prewash).

## Setting the drying cycle

The first time the button  is pressed, the machine will automatically select the maximum drying cycle which is compatible with the selected wash cycle. Subsequent presses will decrease the drying level and then the drying time, until the cycle is excluded completely (“OFF”).

Drying may be set as follows:

**A-** Based on the desired laundry dryness level:

**Iron “A1”:** suitable for clothes which will need ironing afterwards. the remaining dampness softens creases, making them easier to remove.

**Hanger “A2”:** ideal for clothes which do not need to be dried fully.

**Cupboard “A3”:** suitable for laundry which can be put back in a cupboard without being ironed.

**Extra “A4”:** suitable for garments which need to be dried completely, such as sponges and bathrobes.

**B -** Based on a set time period: between **30** and **180** minutes.


If your laundry load to be washed and dried is much greater than the maximum stated load, perform the wash cycle, and when the cycle is complete, divide the garments into groups and put some of them back in the drum. At this point, follow the instructions provided for a “**Drying only**” cycle. Repeat this procedure for the remainder of the load. A cooling-down period is always added to the end of each drying cycle.

## Drying only



Use the cycle selector knob to select a drying cycle (12-13-14) in accordance with the type of fabric. The desired drying level or time may also be set using the DRYING button .

Selecting the cotton drying cycle through the programme selector knob and pressing the “Eco” button activates an automatic drying cycle that allows for saving energy, thanks to an optimal combination of air temperature and cycle duration; the display will visualise the “**A2**” dryness level.

## Set the desired wash intensity.

Option  makes it possible to optimise washing based on the level of soil in the fabrics and on desired wash cycle intensity.

Select the wash programme: the cycle will be automatically set to “**Normal**” as optimised for garments with an average level of soil (this setting is not applicable to the “**Wool**” cycle, which is automatically set to “**Delicate**”).

For heavily-soiled garments press  button until the “**Intensive**” level is reached. This level ensures a high-performance wash due to a larger quantity of water used in the initial phase of the cycle and due to increased drum rotation. It is useful when removing the most stubborn stains. It can be used **with** or **without** bleach. If you desire bleaching, insert the extra tray compartment (4) into compartment 1. When pouring in the bleach, be careful not to exceed the “**max**” level marked on the central pivot (see figure pag. 10). For lightly-soiled garments or a more delicate treatment of the fabrics, press  button until the “**Delicate**” level is reached. The cycle will reduce drum rotation to ensure washing results that are perfect for delicate garments.





## Modify the cycle settings.

- Press the button to enable the option; the indicator light corresponding to the button will switch on.
- Press the button again to disable the option; the indicator light will switch off.

**! If the selected option is not compatible with the set wash cycle, the indicator light will flash and the option will not be activated.**

**! If the selected option is not compatible with a previously selected one, the indicator light corresponding to the first function selected will flash and only the second option will be activated; the indicator light for the option which has been activated will be illuminated.**

**! The options may affect the recommended load value and/or the duration of the cycle.**

7. **START THE WASH CYCLE.** Press the START/PAUSE button. The corresponding indicator light will turn green, remaining lit in a fixed manner, and the door will be locked (the DOOR LOCKED  symbol will be lit). To change a wash cycle while it is in progress, **pause the washer-dryer** using the START/PAUSE button (the START/PAUSE indicator light will flash slowly in an amber colour); then select the desired cycle and press the START/PAUSE button again. To open the door while a cycle is in progress, press the START/PAUSE button; if the DOOR LOCKED  symbol is switched off the door may be opened. Press the START/PAUSE button again to restart the wash cycle from the point at which it was interrupted.
8. **THE END OF THE WASH CYCLE.** This will be indicated by the text “**END**” on the display; when the DOOR LOCKED  symbol switches off the door may be opened. Open the door, unload the laundry and switch off the machine.  
**! If you wish to cancel a cycle which has already begun, press and hold the  button. The cycle will be stopped and the machine will switch off.**



## Table of programmes and wash cycles

Wash cycles	Description of the wash cycle	Max. temp. (°C)	Max. speed (rpm)	Drying	Detergents				Max. load (kg)	Cycle duration	
					Pre-wash	Wash	Bleach	Fabric softener			
<b>CLEAN Plus</b>											
1	Anti Stain	40°	1400	●	-	●	-	●	5	The duration of the wash cycles can be checked on the display.	
2	Anti Stain Quick	40°	1200	●	-	●	-	●	4,5		
3	Whites	60°	1400	●	-	●	-	●	5		
4	Standard Cotton 60°C (1): heavily soiled whites and delicate colours.	60°	1400	●	-	●	●	●	8		
4	Standard Cotton (+ prewash): extremely soiled whites.	90°	1400	●	●	●	-	●	8		
5	Standard Cotton 40°C (2): lightly soiled whites and delicate colours.	40°	1400	●	-	●	●	●	8		
6	Synthetics: heavily soiled resistant colours.	60°	800	●	-	●	●	●	4		
<b>SPECIALS</b>											
7	Anti allergy	60°	1400	●	-	●	●	●	5		
8	Wool: for wool, cashmere, etc.	40°	800	●	-	●	-	●	2		
9	Delicates	30°	0	●	-	●	-	●	1		
10	Fast Wash 30': to refresh lightly soiled garments quickly (not suitable for wool, silk and clothes which require washing by hand).	30°	800	-	-	●	-	●	3,5		
11	Wash & Dry 45'	30°	1400	●	-	●	-	●	1		
<b>DRYING</b>											
12	Cotton	-	-	●	-	-	-	-	6		
13	Synthetics	-	-	●	-	-	-	-	4		
14	Wool	-	-	●	-	-	-	-	2		
<b>Partials Programmes</b>											
	Rinse	-	1400	●	-	-	-	●	8		
	Spin+Pump out	-	1400	●	-	-	-	-	8		
	Pump out only *	-	OFF	-	-	-	-	-	8		

\* If you select programme and exclude the spin cycle, the machine will drain only.

The length of cycle shown on the display or in this booklet is an estimation only and is calculated assuming standard working conditions. The actual duration can vary according to factors such as water temperature and pressure, the amount of detergent used, the amount and type of load inserted, load balancing and any wash options selected.

For all Test Institutes:

- 1) Test wash cycle in compliance with regulation EN 50229: set wash cycle 4 with a temperature of 60°C.
- 2) Long wash cycle for cottons: set wash cycle 5 with a temperature of 40°C.

## Wash options

! If the selected option is not compatible with the set wash cycle, the indicator light will flash and the option will not be activated.

! If the selected option is not compatible with a previously selected one, the indicator light corresponding to the first function selected will flash and only the second option will be activated; the indicator light for the option which has been activated will be illuminated.

### Eco

The Eco option saves energy by not heating the water used to wash your laundry – an advantage both to the environment and to your energy bill. Instead, intensified wash action and water optimisation ensure great wash results in the same average time of a standard cycle. For the best washing results we recommend the usage of a liquid detergent.

By selecting the drying function as well, an automatic drying cycle automatically activates at the end of the wash cycle – it too allows for saving energy, thanks to the optimal combination of air temperature and cycle duration.

! It can be activated with programmes 4 and 5.

### Delay Timer

To set a delayed start for the selected cycle, press the corresponding button repeatedly until the required delay period has been reached. When this option is enabled, the corresponding indicator light will remain lit. To remove the delayed start setting, press the button until the text "OFF" appears on the display.

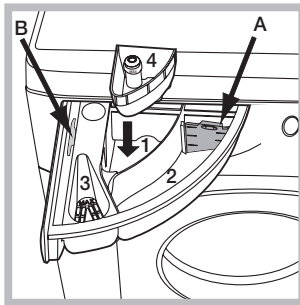
# Detergents and laundry

GB

## Detergent dispenser drawer

Successful washing results also depend on the correct dose of detergent: adding too much detergent will not necessarily result in a more efficient wash, and may in fact cause build up on the inside of your appliance and contribute to environmental pollution.

! Do not use hand washing detergents; they create too much foam.



Open the detergent dispenser drawer and pour in the detergent or washing additive, as follows.

### compartment 1: Pre-wash detergent (powder)

Before pouring in the detergent, make sure that extra compartment 4 has been removed.

### compartment 2:

### Detergent for the wash cycle (powder or liquid)

If liquid detergent is used, it is recommended that the removable plastic partition **A** (supplied) be used for proper dosage. If powder detergent is used, place the partition into slot **B**.

### compartment 3: Additives (fabric softeners, etc.)

The fabric softener should not overflow the grid.

### extra compartment 4: Bleach

## Preparing the laundry

- Divide the laundry according to:
  - the type of fabric/the symbol on the label
  - the colours: separate coloured garments from whites.
- Empty all garment pockets and check the buttons.
- Do not exceed the listed values, which refer to the weight of the laundry when dry: see "Table of programmes and wash cycles".

### How much does your laundry weigh?

- 1 sheet 400-500 g
- 1 pillow case 150-200 g
- 1 tablecloth 400-500 g
- 1 bathrobe 900-1,200 g
- 1 towel 150-250 g

## Special wash cycles

**Anti Stain:** the programme **1** is suitable to heavily-soiled garments with resistant colours. It ensures a washing class that is higher than the standard class (A class).

When running the programme, do not mix garments of different colours. We recommend the use of powder detergent. Pre-treatment with special additives is recommended if there are obstinate stains.

If the drying function is selected, a drying cycle automatically activates at the end of the wash cycle that resembles open-air drying, with the added advantages of preserving garments from yellowing due to sunlight exposure and preventing loss of whiteness caused by the possible presence of dust in the air. Drying cycles can only be selected on a level basis. Dryness level "A2" recommended.

**Anti Stain Quick:** this programme is ideal for washing the most difficult daily stains in 1 hour. It is ideal for mixed fabrics and coloured garments, caring for your clothes as it washes.

If the drying function is selected, a drying cycle automatically activates at the end of the wash cycle that resembles open-air drying, with the added advantages of preserving garments from yellowing due to sunlight exposure and preventing loss of whiteness caused by the possible presence of dust in the air. Drying cycles can only be selected on a level basis. Dryness level "A2" recommended.


**Whites:** use this cycle **3** to wash white clothes. The programme is designed to maintain the brightness of white clothes over time. Use powder detergent for best results. If the drying function is selected, a drying cycle automatically activates at the end of the wash cycle that resembles open-air drying, with the added advantages of preserving garments from yellowing due to sunlight exposure and preventing loss of whiteness caused by the possible presence of dust in the air. Drying cycles can only be selected on a level basis.

**Anti allergy:** use programme **7** to remove major allergens such as pollen, mites, cat's and dog's hair.

**Wool:** the wool wash cycle of this machine has been approved by The Woolmark Company for the washing of wool garments labelled as "hand wash" provided that the products are washed according to the instructions on the garment label and those issued by the manufacturer of this washing machine (M1127)



**Delicates:** use programme **9** to wash very delicate garments having strasses or sequins.

To wash **silk** garments and **curtains** select the cycle **9** and set the "Delicate" level from option .

We recommend turning the garments inside out before washing and placing small items into the special bag for washing delicates. Use liquid detergent on delicate garments for best results.

When selecting an exclusively time-based drying function, a drying cycle is performed at the end of the wash cycle that is particularly delicate, thanks to light handling and appropriate temperature control of the water jet.

The recommended durations are:

- 1 kg of synthetic garments --> 150 min
- 1 kg of synthetic and cotton garments --> 180 min
- 1 kg of cotton garments --> 180 min

The degree of dryness depends on the load and fabric composition.

**Wash & Dry 45'** select programme **11** for washing and drying lightly soiled garments (Cotton and Synthetic) in a short time. This cycle may be used to wash and dry a laundry load of up to 1 kg in just 45 minutes. To achieve optimum results, use liquid detergent and pre-treat cuffs, collars and stains.

## Load balancing system

Before every spin cycle, to avoid excessive vibrations before every spin and to distribute the load in a uniform manner, the drum rotates continuously at a speed which is slightly greater than the washing rotation speed. If, after several attempts, the load is not balanced correctly, the machine spins at a reduced spin speed. If the load is excessively unbalanced, the washer-dryer performs the distribution process instead of spinning. To encourage improved load distribution and balance, we recommend small and large garments are mixed in the load.

Your washer-dryer could occasionally fail to work. Before contacting the Technical Assistance Service (see “Service”), make sure that the problem cannot be solved easily using the following list.

<b>Problem:</b>	<b>Possible causes / Solutions:</b>
<b>The washer-dryer does not switch on.</b>	<ul style="list-style-type: none"><li>• The appliance is not plugged into the socket fully, or not enough to make contact.</li><li>• There is no power in the house.</li></ul>
<b>The wash cycle does not start.</b>	<ul style="list-style-type: none"><li>• The washer-dryer door is not closed properly.</li><li>• The ON/OFF button has not been pressed.</li><li>• The START/PAUSE button has not been pressed.</li><li>• The water tap has not been opened.</li><li>• A delayed start has been set.</li></ul>
<b>The washer-dryer does not fill with water (the text “H2O” flashes on the display).</b>	<ul style="list-style-type: none"><li>• The water inlet hose is not connected to the tap.</li><li>• The hose is bent.</li><li>• The water tap has not been opened.</li><li>• There is no water supply in the house.</li><li>• The pressure is too low.</li><li>• The START/PAUSE button has not been pressed.</li></ul>
<b>The washer-dryer continuously takes in and drains water.</b>	<ul style="list-style-type: none"><li>• The drain hose is not fitted at a height between 65 and 100 cm from the floor (see “Installation”).</li><li>• The free end of the hose is under water (see “Installation”).</li><li>• The wall drainage system is not fitted with a breather pipe.</li></ul> <p>If the problem persists even after these checks, turn off the water tap, switch the appliance off and contact the Technical Assistance Service. If the dwelling is on one of the upper floors of a building, there may be problems relating to water drainage, causing the washer-dryer to fill with water and drain continuously. Special anti-draining valves are available in shops and help to prevent this inconvenience.</p>
<b>The washer-dryer does not drain or spin.</b>	<ul style="list-style-type: none"><li>• The wash cycle does not include draining: some cycles require the draining process to be enabled manually.</li><li>• The drain hose is bent (see “Installation”).</li><li>• The drainage duct is clogged.</li></ul>
<b>The washer-dryer vibrates a lot during the spin cycle.</b>	<ul style="list-style-type: none"><li>• The drum was not unlocked correctly during installation (see “Installation”).</li><li>• The washer-dryer is not level (see “Installation”).</li><li>• The washer-dryer is trapped between cabinets and walls (see “Installation”).</li></ul>
<b>The washer-dryer leaks.</b>	<ul style="list-style-type: none"><li>• The water inlet hose is not screwed on properly (see “Installation”).</li><li>• The detergent dispenser drawer is blocked (for cleaning instructions, see “Care and maintenance”).</li><li>• The drain hose is not fixed properly (see “Installation”).</li></ul>
<b>The “option” and START/PAUSE indicator lights flash rapidly and an error code appears on the display (e.g.: F-01, F-..).</b>	<ul style="list-style-type: none"><li>• Switch off the machine and unplug it, wait for approximately 1 minute and then switch it back on again.</li></ul> <p>If the problem persists, contact the Technical Assistance Service.</p>
<b>There is too much foam.</b>	<ul style="list-style-type: none"><li>• The detergent is not suitable for machine washing (it should display the text “for washing machine” or “hand and machine wash”, or the like).</li><li>• Too much detergent was used.</li></ul>
<b>The washer-dryer does not dry.</b>	<ul style="list-style-type: none"><li>• The appliance is not plugged into the socket, or not enough to make contact.</li><li>• There has been a power failure.</li><li>• The appliance door is not shut properly.</li><li>• A DELAY TIMER has been set.</li><li>• DRYING is in the OFF position.</li></ul>

# Service

---

GB

## **Before contacting the Technical Assistance Service:**

- Check whether you can solve the problem alone (see “*Troubleshooting*”);
- Restart the wash cycle to check whether the problem has been solved;
- If this is not the case, contact an authorised Technical Assistance Centre.

! Always request the assistance of authorised technicians.

## **Have the following information to hand:**

- the type of problem;
- the appliance model (Mod.);
- the serial number (S/N).

This information can be found on the data plate applied to the rear of the washer-dryer, and can also be found on the front of the appliance by opening the door.

!  Este símbolo te recuerda que debes leer este manual de instrucciones.

ES

ES

Español

**FDG 8640**

## Sumario

### **Instalación, 14-15**

Desembalaje y nivelación  
Conexiones hidráulicas y eléctricas  
Primer ciclo de lavado  
Datos técnicos

### **Mantenimiento y cuidados, 16**

Interrumpir el agua y la corriente eléctrica  
Limpiar la lavasecadora  
Limpiar el contenedor de detergentes  
Cuidar la puerta y el cesto  
Limpiar la bomba  
Controlar el tubo de alimentación de agua

### **Precauciones y consejos, 17**

Seguridad general  
Eliminación  
Apertura manual de la puerta

### **Descripción de la lavasecadora, 18-19**

Panel de control  
Pantalla

### **Cómo efectuar un ciclo de lavado o de secado, 20**

### **Programas y opciones, 21**

Tabla de programas  
Opciones de lavado

### **Detergentes y ropa, 22**

Contenedor de detergentes  
Preparar la ropa  
Programas particulares  
Sistema de equilibrado de la carga

### **Anomalías y soluciones, 23**

### **Asistencia Técnica, 24**

# Instalación

ES

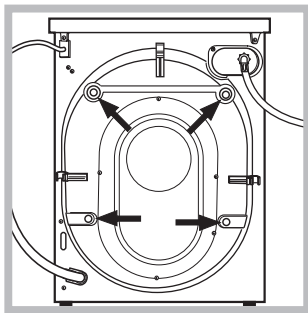
! Es importante conservar este manual para poder consultarlo en cualquier momento. En caso de venta, de cesión o de traslado, verifique que permanezca junto con la lavasecadora para informar al nuevo propietario sobre el funcionamiento y brindar las correspondientes advertencias.

! Lea atentamente las instrucciones: ellas contienen importante información sobre la instalación, el uso y la seguridad.

## Desembalaje y nivelación

### Desembalaje

1. Desembale la lavasecadora.
2. Controle que la lavasecadora no haya sufrido daños durante el transporte. Si estuviera dañada no la conecte y llame al revendedor.

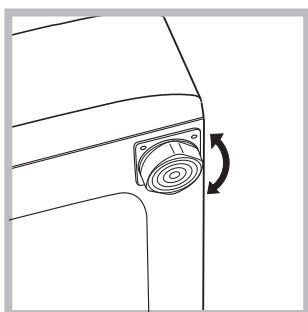


3. Quite los **4** tornillos de protección para el transporte y la arandela de goma con el correspondiente distanciador ubicados en la parte posterior (ver la figura).

4. Cubra los orificios con los tapones de plástico suministrados con el aparato.
  5. Conserve todas las piezas: cuando la lavasecadora deba ser transportada nuevamente, deberán volver a colocarse.
- ! Los embalajes no son juguetes para los niños.

### Nivelación

1. Instale la lavasecadora sobre un piso plano y rígido, sin apoyarla en las paredes, muebles ni en ningún otro aparato.

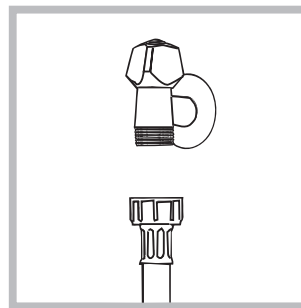


2. Si el piso no está perfectamente horizontal, compense las irregularidades desenroscando o enroscando las patas delanteras (ver la figura); el ángulo de inclinación medido sobre la superficie de trabajo, no debe superar los 2°.

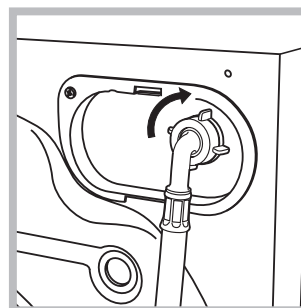
Una cuidadosa nivelación brinda estabilidad a la máquina y evita vibraciones, ruidos y desplazamientos durante el funcionamiento. Cuando se instala sobre moquetas o alfombras, regule los pies para conservar debajo de la lavasecadora un espacio suficiente para la ventilación.

## Conexiones hidráulicas y eléctricas

### Conexión del tubo de alimentación de agua



1. Conectar el tubo de tubo enroscándolo a un grifo de agua fría con la boca roscada de 3/4 gas (ver la figura). Antes de conectarlo, haga correr el agua hasta que esté límpida.



2. Conecte el tubo de alimentación a la lavasecadora enroscándolo en la toma de agua correspondiente ubicada en la parte posterior derecha (arriba) (ver la figura).

3. Controle que en el tubo no hayan pliegues ni estrangulaciones.

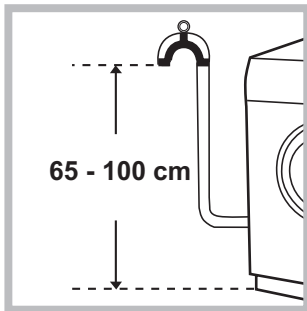
! La presión de agua del grifo debe estar comprendida dentro de los valores contenidos en la tabla de Datos técnicos (ver la página correspondiente).

! Si la longitud del tubo de alimentación no es la suficiente, diríjase a un negocio especializado o a un técnico autorizado.

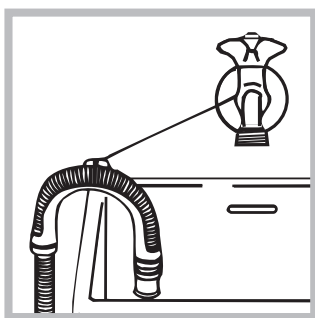
! No utilice nunca tubos ya usados.

! Utilice los suministrados con la máquina.

### Conexión del tubo de desagüe



Conecte el tubo de desagüe, sin plegarlo, a un conducto de desagüe o a una desagüe de pared ubicados a una distancia del piso comprendida entre 65 y 100 cm.;



o apóyelo en el borde de un lavamanos o de una bañera, uniendo la guía suministrada con el aparato, al grifo (ver la figura). El extremo libre del tubo de desagüe no debe permanecer sumergido en el agua.

! No se aconseja utilizar tubos de prolongación, si fuera indispensable hacerlo, la prolongación debe tener el mismo diámetro del tubo original y no superar los 150 cm.

### Conexión eléctrica

Antes de enchufar el aparato, verifique que:

- la toma tenga la conexión a tierra y haya sido hecha según las normas legales;
- la toma sea capaz de soportar la carga máxima de potencia de la máquina indicada en la tabla de Datos técnicos (ver al costado);
- la tensión de alimentación esté comprendida dentro de los valores indicados en la tabla de Datos técnicos (ver al costado);
- la toma sea compatible con el enchufe de la lavasecadora. Si no es así, sustituya la toma o el enchufe.

! La lavasecadora no debe ser instalada al aire libre, ni siquiera si el lugar está reparado, ya que es muy peligroso dejarla expuesta a la lluvia o a las tormentas.

! Una vez instalada la lavasecadora, la toma de corriente debe ser fácilmente accesible.

! No utilice prolongaciones ni conexiones múltiples.

! El cable no debe estar plegado ni sufrir compresiones.

! El cable de alimentación debe ser sustituido sólo por técnicos autorizados.

¡Atención! La empresa fabricante declina toda responsabilidad en caso de que estas normas no sean respetadas.

### Primer ciclo de lavado

Después de la instalación y antes del uso, realice un ciclo de lavado con detergente y sin ropa, seleccionando el programa auto limpieza (ver "Limpiar la lavasecadora").

#### Datos técnicos

<b>Modelo</b>	FDG 8640
<b>Dimensiones</b>	ancho 59.5 cm altura 85 cm profundidad 60,5 cm
<b>Capacidad</b>	de 1 a 8 kg para el lavado de 1 a 6 kg para el secado
<b>Conexiones eléctricas</b>	ver la placa de características técnicas aplicada en la máquina
<b>Conexiones hídricas</b>	presión máxima 1 MPa (10 bar) presión mínima 0,05 MPa (0,5 bar) capacidad del cesto 62 litros
<b>Velocidad de centrifugado</b>	máxima 1400 r.p.m.

#### Programas de control según la directiva EN 50229

**lavado:** programa 4; temperatura 60°C; efectuado con 8 kg. de carga.

**secado:** el secado de la carga menor (2kg) debe realizarse seleccionando el nivel de secado "A1" (PLANCHAR), la carga de ropa se debe componer de 2 sábanas, 1 funda y 1 toalla;

el secado de la carga que queda debe realizarse seleccionando el nivel de secado "A4" (EXTRA).



Esta máquina cumple con lo establecido por las siguientes Directivas de la Comunidad:

- 2004/108/CE (Compatibilidad Electromagnética)
- 2012/19/EU
- 2006/95/CE (Baja Tensión)

# Mantenimiento y cuidados

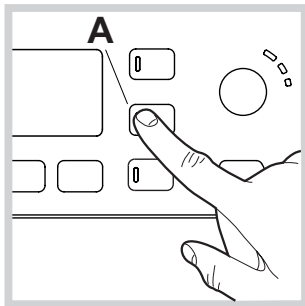
ES

## Interrumpir el agua y la corriente eléctrica

- Cierre el grifo de agua después de cada lavado. De este modo se limita el desgaste de la instalación hidráulica de la lavasecadora y se elimina el peligro de pérdidas.
- Desenchufe la máquina cuando la debe limpiar y durante los trabajos de mantenimiento.

## Limpiar la lavasecadora

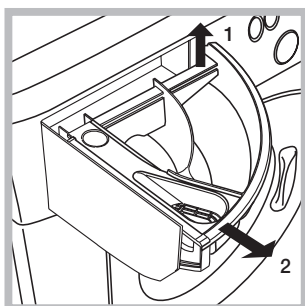
- La parte externa y las partes de goma se pueden limpiar con un paño embebido en agua tibia y jabón. No use solventes ni productos abrasivos.
- La lavasecadora posee un programa de "Auto Limpieza" de su interior que se debe realizar **sin ningún tipo de carga en el cesto**. El detergente (en un 10% de la cantidad aconsejada para prendas poco sucias) o algunos aditivos específicos para la limpieza de la ropa se podrán utilizar como coadyuvantes en el programa de lavado. Se aconseja efectuar el programa de limpieza cada 40 ciclos de lavado.



Para activar el programa, presionar el botón **A** durante 5 segundos (ver la figura). El programa comenzará automáticamente y tendrá una duración de 70 minutos aproximadamente.

Para detener el ciclo presione el botón START/PAUSE.

## Limpiar el contenedor de detergentes



Extraiga el contenedor levantándolo y tirándolo hacia fuera (ver la figura). Lávelo debajo del agua corriente, esta limpieza se debe realizar frecuentemente.

## Cuidar la puerta y el cesto

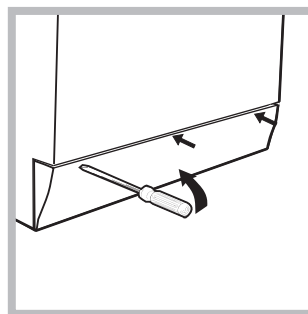
- Deje siempre semicerrada la puerta para evitar que se formen malos olores.

## Limpiar la bomba

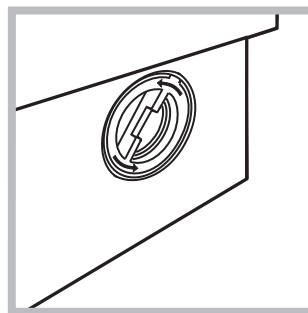
La lavasecadora posee una bomba autolimpiante que no necesita mantenimiento. Pero puede suceder que objetos pequeños (monedas, botones) caigan en la precámara que protege la bomba, situada en la parte inferior de la misma.

! Verifique que el ciclo de lavado haya terminado y desenchufe la máquina.

Para acceder a la precámara:



1. quite el panel que cubre la parte delantera de la lavasecadora con la ayuda de un destornillador (ver la figura);



2. desenrosque la tapa girándola en sentido antihorario (ver la figura); es normal que se vuelque un poco de agua;

3. limpie con cuidado el interior;
4. vuelva a enroscar la tapa;
5. vuelva a montar el panel verificando, antes de empujarlo hacia la máquina, que los ganchos se hayan introducido en las correspondientes ranuras.

## Controlar el tubo de alimentación de agua

Controle el tubo de alimentación al menos una vez al año. Si presenta grietas o rajaduras debe ser sustituido: durante los lavados, las fuertes presiones podrían provocar roturas imprevistas.

! No utilice nunca tubos ya usados.



! La lavasecadora fue proyectada y fabricada en conformidad con las normas internacionales de seguridad. Estas advertencias se suministran por razones de seguridad y deben ser leídas atentamente.

## Seguridad general

- Este aparato ha sido fabricado para un uso de tipo doméstico exclusivamente.
  - Este aparato puede ser utilizado por niños de 8 años o más y por personas con capacidades físicas, sensoriales o mentales disminuidas o con experiencia y conocimientos insuficientes siempre que sean supervisados o que hayan recibido una adecuada formación sobre el uso del aparato en forma segura y conozcan los peligros derivados del mismo. Los niños no deben jugar con el aparato. El mantenimiento y la limpieza no deben ser realizados por niños sin supervisión.
    - No secar prendas no lavadas.
    - Las prendas sucias con sustancias como aceite de cocina acetona, alcohol, gasolina, kerosén, quitamanchas, trementina, cera o sustancias para quitarlas, deben lavarse con agua caliente con una cantidad mayor de detergente antes de secarlas en la secadora.
    - Objetos como la goma expandida (látex), las gorras de ducha, los materiales textiles impermeables, los artículos con un lado de goma y las prendas o cojines que tienen partes de látex no deben secarse en la secadora.
    - Suavizantes o productos similares deben emplearse de acuerdo con las instrucciones del fabricante.
    - La parte final de un ciclo de la secadora se realiza sin calor (ciclo de enfriamiento) para garantizar que los artículos no se dañen.
- ATENCIÓN:** Nunca detener una secadora antes que finalice el programa de secado. En este caso, sacar con rapidez todas las prendas y colgarlas para enfriarlas con celeridad.
- No toque la máquina con los pies desnudos ni con las manos o los pies mojados o húmedos.
  - No desenchufe la máquina tirando el cable, sino tomando el enchufe.
  - No toque el agua de descarga porque puede alcanzar temperaturas elevadas.
  - Nunca fuerce la puerta: podría dañarse el mecanismo de seguridad que la protege de aperturas accidentales.
  - En caso de avería, no acceda nunca a los mecanismos internos para intentar una reparación.
  - Controle siempre que los niños no se acerquen a la máquina cuando está en funcionamiento.
  - Si debe ser trasladada, deberán intervenir dos o más personas, procediendo con el máximo cuidado. La máquina no debe ser desplazada nunca por una sola persona ya que es muy pesada.
  - Antes de introducir la ropa controle que el cesto esté vacío.
  - Durante el secado la puerta tiende a calentarse.
  - No seque ropa lavada con solventes inflamables (por ej. tricloroetileno).
  - No seque gomaespuma o elastómeros análogos.
  - Verifique que, durante las fases de secado, el grifo de agua esté abierto.

- Los niños de edad inferior a 3 años deben mantenerse alejados de la secadora en ausencia de vigilancia constante.
- Vaciar los bolsillos de todos los objetos, como encendedores o fósforos.

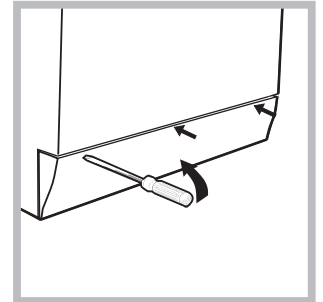
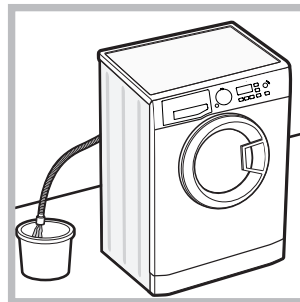
## Eliminaciones

- Eliminación del material de embalaje: respete las normas locales, de ese modo, los embalajes podrán volver a ser utilizados.
- La norma Europea 2012/19/EU sobre la eliminación de aparatos eléctricos y electrónicos, indica que los electrodomésticos no deben ser eliminados de la misma manera que los desechos sólidos urbanos. Los aparatos en desuso se deben recoger separadamente para optimizar el porcentaje de recuperación y reciclaje de los materiales que los componen e impedir potenciales daños para la salud y el medio ambiente. El símbolo de la papelera tachada se encuentra en todos los productos para recordar la obligación de recolección separada. Para mayor información sobre la correcta eliminación de los electrodomésticos, los poseedores de los mismos podrán dirigirse al servicio público responsable o a los revendedores.

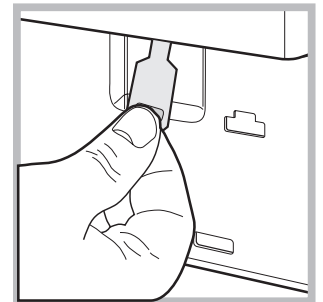
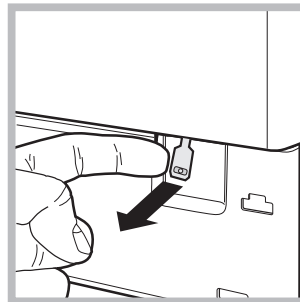
## Apertura manual de la puerta

Si desea sacar la ropa de la lavasecadora y no es posible abrir la puerta debido a un corte de energía eléctrica, proceda del siguiente modo:

1. desenchufe la máquina.



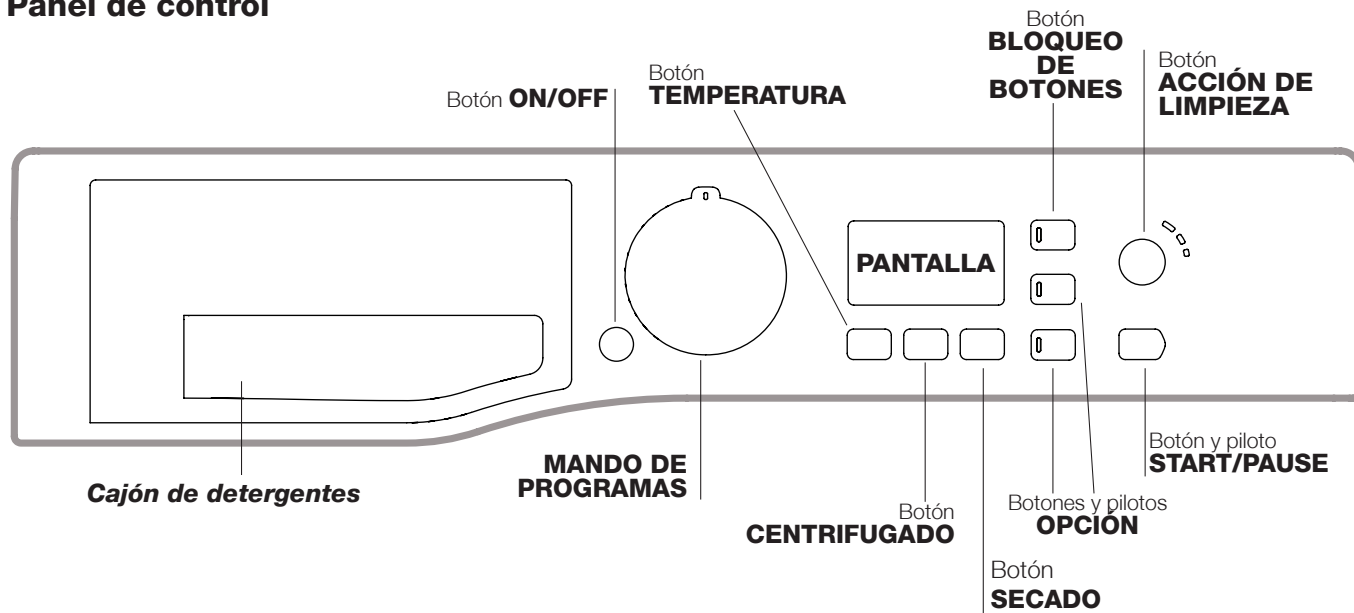
2. verifique que el nivel de agua en el interior de la máquina sea inferior al hueco de la puerta; si no es así, extraiga el agua en exceso utilizando el tubo de descarga y recogiéndola en un balde como se indica en la figura.
3. quite el panel de cobertura delantero de la lavasecadora con la ayuda de un destornillador (ver la figura).




4. utilizando la lengüeta indicada en la figura, tire hacia fuera hasta liberar la varilla de plástico del retén; posteriormente tire hacia abajo y simultáneamente abra la puerta.
5. vuelva a montar el panel verificando, antes de empujarlo hacia la máquina, que los ganchos se hayan introducido en las correspondientes ranuras.

# Descripción de la lavasecadora

## Panel de control



**Cajón de detergentes:** para cargar detergentes y aditivos (ver “Detergentes y ropa”).


**Botón ON/OFF** : presione brevemente el botón para encender o apagar la máquina. El piloto START/PAUSE que centellea lentamente de color verde indica que la máquina está encendida. Para apagar la lavasecadora durante el lavado, es necesario mantener presionado el botón durante más tiempo, aproximadamente 3 seg.; si se presiona en forma más breve o accidental, la máquina no se apagará. Si la máquina se apaga durante un lavado en curso, dicho lavado se anulará.


**MANDO DE PROGRAMAS:** para seleccionar el programa deseado (ver “Tabla de programas”).


**Botones y pilotos OPCIÓN:** para seleccionar las opciones disponibles. El piloto correspondiente a la opción seleccionada permanecerá encendido.


**Botón ACCIÓN DE LIMPIEZA** : pulse este botón para seleccionar la intensidad de lavado deseada.

**Botón TEMPERATURA** : presiónelo para disminuir o excluir la temperatura; el valor se indica en la pantalla.

**Botón CENTRIFUGADO** : presiónelo para disminuir o excluir totalmente el centrifugado; el valor se indica en la pantalla.

**Botón SECADO** : presionar para reducir o excluir el secado; el nivel o el tiempo de secado seleccionado se indica en la pantalla.

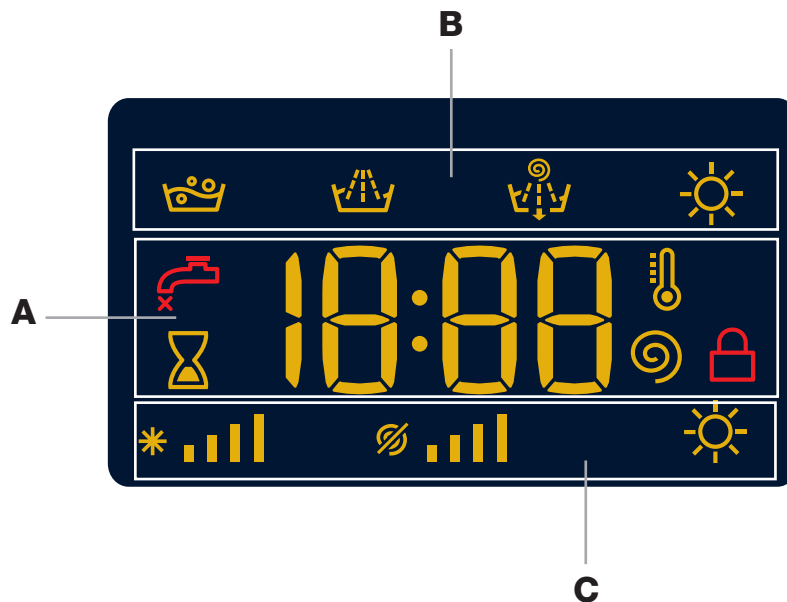
**Botón con piloto START/PAUSE:** cuando el piloto verde centellea lentamente, presione el botón para que comience el lavado. Una vez que el ciclo ha comenzado, el piloto se mantiene fijo. Para poner en pausa el lavado, presione nuevamente el botón; el piloto centelleará con un color anaranjado. Si el símbolo  no está iluminado, se podrá abrir la puerta. Para que el lavado se reanude a partir del momento en el cual fue interrumpido, presione nuevamente el botón.

**Botón BLOQUEO DE BOTONES:** para **activar** el bloqueo del panel de control, mantenga presionado el botón durante 2 segundos aproximadamente. El símbolo  encendido indica que el panel de control está bloqueado (con excepción del botón ON/OFF). De este modo, se evitan modificaciones accidentales de los programas, sobre todo si en la casa hay niños. Para **desactivar** el bloqueo del panel de control, mantenga presionado el botón durante 2 segundos aproximadamente.

### Modalidad de stand by

Esta lavasecadora está en conformidad con las nuevas normativas vinculadas al ahorro energético. Está dotada de un sistema de auto-apagado (stand by) que, en caso de no funcionamiento, se activa pasados aproximadamente 30 minutos. Presionar brevemente el botón ON/OFF y esperar que la máquina se active.  
Consumo en off-mode: 0,5 W  
Consumo en Left-on: 8 W


## Pantalla




La pantalla es útil para programar la máquina y ofrece múltiple información.

En la sección **A** se visualiza la duración de los distintos programas disponibles, para los que han comenzado, el tiempo que falta para su finalización (la pantalla muestra la duración máxima del ciclo seleccionado, que puede disminuir después de unos minutos, ya que la duración efectiva del programa varía según la carga de ropa y los ajustes elegidos); si se hubiera seleccionado un COMIENZO RETRASADO, se visualiza el tiempo que falta para que comience el programa seleccionado. Además, pulsando el botón correspondiente se pueden visualizar los valores máximos de temperatura, de velocidad de centrifugado o el tipo de secado previstos para el programa elegido, o los últimos seleccionados si son compatibles con dicho programa.

En la sección **B** se visualizan las “fases de lavado” previstas para el ciclo seleccionado y, una vez comenzado el programa, la “fase de lavado” en curso:

-  Lavado
-  Aclarado
-  Centrifugado/Descarga
-  Secado


En la sección **C** se encuentran, comenzando desde la izquierda, los iconos correspondientes a la “temperatura”, al “centrifugado” y el “Secado”.

Las barras de “temperatura” \*  indican el nivel de temperatura con respecto al máximo que se puede seleccionar para el ciclo elegido.

Las barras de “centrifugado”  indican el nivel de centrifugado con respecto al máximo que se puede seleccionar para el ciclo elegido.


El símbolo  se ilumina durante la regulación del secado.


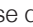
### Piloto **Puerta bloqueada**

El símbolo encendido indica que la puerta está bloqueada. Para evitar daños, antes de abrir la puerta espere que el símbolo se apague. Para abrir la puerta mientras un ciclo está en curso, presione el botón START/PAUSE; si el símbolo PUERTA BLOQUEADA  está apagado, será posible abrir la puerta.

# Cómo efectuar un ciclo de lavado o de secado


ES

1. **ENCENDER LA MÁQUINA.** Presione el botón ; el piloto START/PAUSE centelleará lentamente de color verde.
2. **CARGAR LA ROPA.** Abra la puerta. Cargue la ropa, cuidando no superar la cantidad de carga indicada en la tabla de programas de la página siguiente.
3. **DOSIFICAR EL DETERGENTE.** Extraiga el cajón y vierta el detergente en las cubetas correspondientes como se explica en "Detergentes y ropa".
4. **CERRAR LA PUERTA.**
5. **ELEGIR EL PROGRAMA.** Seleccione con el mando PROGRAMAS el programa deseado; al mismo están asociadas una temperatura y una velocidad de centrifugado que se pueden modificar. En la pantalla aparecerá la duración del ciclo.
6. **PERSONALIZAR EL CICLO DE LAVADO.** Utilice los correspondientes botones:

**Modificar la temperatura y/o el centrifugado.** La máquina muestra automáticamente la temperatura y la centrifugación máximas previstas para el programa fijado o las últimas seleccionadas si son compatibles con el programa elegido. Presionando el botón  se disminuye progresivamente la temperatura hasta llegar al lavado en frío "OFF". Presionando el botón  se disminuye progresivamente el centrifugado hasta su exclusión "OFF". Si se presionan una vez más los botones, se volverá a los valores máximos previstos.

! Excepción: cuando se selecciona el programa 4, la temperatura se puede aumentar hasta 90° (+ prelavado).

## Programar el secado

Con la primera presión del botón  la máquina selecciona automáticamente el nivel de secado máximo compatible con el programa seleccionado. Las siguientes presiones disminuyen el nivel y el tiempo de secado hasta llegar a la exclusión "OFF".

Es posible programar el secado:

**A** - En función del nivel de secado deseado

**Planchar "A1":** especial para prendas que después deben plancharse. El nivel de humedad residual atenúa las arrugas y facilita su eliminación.

**Colgar "A2":** ideal para aquellas prendas que no requieren el secado completo.

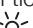
**Doblar "A3":** se adapta para la ropa que se coloca en el armario sin necesidad de planchar.

**Extra "A4":** especial para las prendas que necesitan un secado completo como toallas o albornoces.

**B** - En base al tiempo: de **30 a 180** minutos.

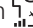
Si excepcionalmente la carga de ropa para lavar y secar es superior al máximo previsto, realice el lavado, y una vez finalizado el programa, divida la carga y coloque una parte en el cesto. A partir de ese momento, siga las instrucciones para efectuar "Sólo el secado". Repita las mismas operaciones para la carga restante. Al finalizar el secado continúa siempre un período de enfriamiento.

## Sólo el secado

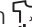
Seleccionar con el mando de programas el secado adecuado (**12-13-14**) al tipo de tejido. Se puede programar también el nivel o el tiempo de secado deseado utilizando el botón SECADO .

Seleccionando el secado de algodón con el mando programas y pulsando el botón "Eco" se producirá un secado automático que permitirá un ahorro de energía gracias a una óptima combinación entre la temperatura del aire y la duración del ciclo; en la pantalla se visualizará el nivel de secado "A2".

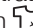
## Seleccionar la intensidad de lavado deseada.

La opción  permite optimizar el lavado en base al grado de suciedad de los tejidos y a la intensidad de lavado deseada.

Seleccione el programa de lavado, el ciclo automáticamente se fija en el nivel "Normal" optimizado para prendas medianamente sucias (selección no válida para el ciclo "Lana" que se fija automáticamente en el nivel "Delicate").

Para prendas muy sucias, pulse el botón  hasta alcanzar el nivel "Intensive". Este nivel garantiza un lavado de grandes prestaciones gracias al uso de una mayor cantidad de agua en la fase inicial del ciclo y un mayor movimiento mecánico. Es útil para eliminar las manchas más resistentes. Puede emplearse con o sin lejía.

Si se desea realizar un blanqueo, introduzca la cubeta adicional 4 suministrada con la máquina, en la cubeta 1. Al verter el blanqueador, no supere el nivel "max" indicado en el perno central (ver la figura de la pág. 22).

Para prendas poco sucias o para un tratamiento más delicado de los tejidos, pulse el botón  hasta alcanzar el nivel "Delicate". El ciclo disminuirá el movimiento mecánico para garantizar resultados perfectos de lavado para las prendas delicadas.

## Modificar las características del ciclo.

- Presione el botón para activar la opción; el piloto correspondiente al botón se encenderá.
- Presione nuevamente el botón para desactivar la opción; el piloto se apagará.

! Si la opción seleccionada no es compatible con el programa elegido, el piloto centelleará y la opción no se activará.

! Si la opción seleccionada no es compatible con otra precedentemente seleccionada, el piloto correspondiente a la primera función seleccionada centelleará y se activará solo la segunda, el piloto de la opción activada se iluminará.

! Las opciones pueden variar la carga recomendada y/o la duración del ciclo.

7. **PONER EN MARCHA EL PROGRAMA.** Presione el botón START/PAUSE. El piloto correspondiente se iluminará de color azul fijo y la puerta se bloqueará (símbolo PUERTA BLOQUEADA  encendido). Para cambiar un programa mientras un ciclo está en curso, ponga la lavasecadora en pausa presionando el botón START/PAUSE (el piloto START/PAUSE centelleará lentamente de color ámbar); luego seleccione el ciclo deseado y presione nuevamente el botón START/PAUSE. Para abrir la puerta mientras un ciclo está en curso, presione el botón START/PAUSE; si el símbolo PUERTA BLOQUEADA  está apagado, será posible abrir la puerta. Presione nuevamente el botón START/PAUSE para reanudar el programa a partir del momento en el que se había interrumpido.
  8. **FIN DEL PROGRAMA.** Se indica con el mensaje "END" en la pantalla, cuando el símbolo PUERTA BLOQUEADA  se apague, será posible abrir la puerta. Abra la puerta, descargue la ropa y apague la máquina.
- ! Si se desea anular un ciclo ya comenzado, presione largo tiempo el botón . El ciclo se interrumpirá y la máquina se apagará.

## Tabla de programas

Programas	Descripción del Programa	Temp. max. (°C)	Velocidad máx. (r.p.m.)	Secado	Detergentes				Carga máx. (Kg.)	Duración del ciclo	
					Prelavado	Lavado	Blanqueador	Suavizante			
<b>CLEAN Plus</b>											
1	Antimancha	40°	1400	●	-	●	-	●	5	Se puede controlar la duración de los programas de lavado en la pantalla.	
2	Antimancha Rápido	40°	1200	●	-	●	-	●	4,5		
3	Blancos	60°	1400	●	-	●	-	●	5		
4	Algodón Standard 60°C (1): blancos y colores resistentes muy sucios.	60°	1400	●	-	●	●	●	8		
4	Algodón Standard (+ prelavado): blancos extremadamente sucios.	90°	1400	●	●	●	-	●	8		
5	Algodón Standard 40°C (2): blancos y colores delicados poco sucios.	40°	1400	●	-	●	●	●	8		
6	Sintético: colores resistentes muy sucios.	60°	800	●	-	●	●	●	4		
<b>SPECIALS</b>											
7	Antialérgico	60°	1400	●	-	●	●	●	5		
8	Lana: para lana, cachemira, etc.	40°	800	●	-	●	-	●	2		
9	Ultradelicado	30°	0	●	-	●	-	●	1		
10	Lavado Rápido 30': para refrescar rápidamente prendas poco sucias (no se aconseja utilizarlo para lana, seda y prendas para lavar a mano).	30°	800	-	-	●	-	●	3,5		
11	Lava y seca 45'	30°	1400	●	-	●	-	●	1		
<b>DRYING</b>											
12	Algodón	-	-	●	-	-	-	-	6		
13	Sintético	-	-	●	-	-	-	-	4		
14	Lana	-	-	●	-	-	-	-	2		
<b>Programas Parciales</b>											
	Aclarado	-	1400	●	-	-	-	●	8		
	Centrifugado y Descarga	-	1400	●	-	-	-	-	8		
	Sólo Descarga *	-	OFF	-	-	-	-	-	8		

\* Si se selecciona el programa y se excluye el centrifugado, la máquina efectúa sólo la descarga.

La duración del ciclo que se indica en el visor o en el manual es una estimación calculada en base a condiciones estándar. El tiempo efectivo puede variar en función de numerosos factores como la temperatura y la presión del agua de entrada, la temperatura ambiente, la cantidad de detergente, la cantidad y el tipo de carga, el equilibrio de la carga y las opciones adicionales seleccionadas.

Para todos los Test Institutes:

- Programa de control según la norma EN 50229: seleccione el programa 4 con una temperatura de 60°C.
- Programa algodón largo: seleccione el programa 5 con una temperatura de 40°C.

## Opciones de lavado

! Si la opción seleccionada no es compatible con el programa elegido, el piloto centelleará y la opción no se activará.

! Si la opción seleccionada no es compatible con otra precedentemente seleccionada, el piloto correspondiente a la primera función seleccionada centelleará y se activará solo la segunda, el piloto de la opción activada se iluminará.

### Eco

La función Eco contribuye al ahorro energético porque no calienta el agua utilizada para lavar la ropa, esto constituye una ventaja tanto para el ambiente como para la factura de electricidad. La mayor potencia y el consumo optimizado del agua, garantizan óptimos resultados para la misma duración promedio de un ciclo estándar.

Para obtener los mejores resultados de lavado, se aconseja el uso de un detergente líquido.

Seleccionando también la función de secado, al finalizar el lavado se realizará automáticamente un secado que contribuye al ahorro de energía gracias a una óptima combinación entre la temperatura del aire y la duración del ciclo.

! Se puede activar con los programas 4 y 5.

### Comienzo retrasado

Para seleccionar el comienzo retrasado del programa elegido, presione el botón correspondiente hasta alcanzar el tiempo de retraso deseado. Cuando esta opción se activa, la luz testigo respectiva permanece encendida. Para cancelar el comienzo retrasado presionar el botón hasta que en el display aparezca "OFF".

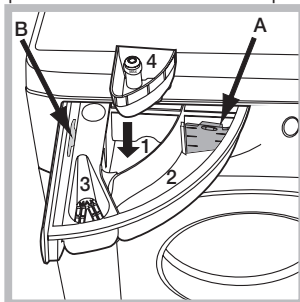
# Detergentes y ropa

ES

## Contenedor de detergentes

El buen resultado del lavado depende también de la correcta dosificación del detergente: si se excede la cantidad, no se lava de manera más eficaz, sino que se contribuye a encostrar las partes internas de la lavasecadora y a contaminar el medio ambiente.

! No use detergentes para el lavado a mano porque producen demasiada espuma.



Extraiga el contenedor de detergentes e introduzca el detergente o el aditivo de la siguiente manera:

### Compartimento 1: Detergente para prelavado (en polvo)

Antes de verter el detergente, verifique que no esté colocada la cubeta adicional 4.

### Compartimento 2: Detergente para lavado (en polvo o líquido)

Si se utiliza detergente líquido, se aconseja colocar el tabique divisorio **A** suministrado con la máquina, para una correcta dosificación. Cuando utilice detergente en polvo, vuelva a colocar el tabique divisorio en la cavidad **B**.

### Compartimento 3: Aditivos (suavizante, etc.)

El suavizante no se debe volcar fuera de la rejilla.

### cubeta adicional 4: Blanqueador

## Preparar la ropa

- Subdivida la ropa según:
  - el tipo de tejido / el símbolo en la etiqueta.
  - los colores: separe las prendas de color y las blancas.
- Vacíe los bolsillos y controle los botones.
- No supere los valores indicados, referidos al peso de la ropa seca: No supere los valores indicados, referidos al peso de la ropa seca: ver "Tabla de programas".

### ¿Cuánto pesa la ropa?

- 1 sábana 400/500 g
- 1 funda 150/200 g
- 1 mantel 400/500 g
- 1 albornoz 900/1.200 g
- 1 toalla 150/250 g

## Programas particulares

**Antimancha:** el programa **1** es adecuado para el lavado de prendas muy sucias, con colores resistentes. El programa garantiza una clase de lavado superior a la clase estándar (clase A). No ejecute el programa mezclando prendas de distintos colores. Se aconseja el uso de detergente en polvo. Si las manchas son difíciles de eliminar, realice un pretratamiento con aditivos específicos. Seleccionando la función de secado, al finalizar el lavado se realizará automáticamente un secado como si fuera al aire libre pero con las ventajas de evitar el amarilleo de las prendas por acción de los rayos solares y la pérdida del candor debido al polvillo presente en el aire. Se pueden seleccionar sólo los secados con niveles. Se aconseja el uso del nivel de secado "A2".

**Antimancha Rápido:** el programa ha sido estudiado para lavar prendas con manchas del día, incluso difíciles, en una hora. Adecuado para prendas de color de fibra mixta, garantizando su máximo respeto.

Seleccionando la función de secado, al finalizar el lavado se realizará automáticamente un secado como si fuera al aire libre pero con las ventajas de evitar el amarilleo de las prendas por acción de los rayos solares y la pérdida del candor debido al polvillo presente en el aire. Se pueden seleccionar sólo los secados con niveles. Se aconseja el uso del nivel de secado "A2".

**Blancos:** utilice el ciclo **3** para el lavado de las prendas blancas. El programa ha sido estudiado para mantener el brillo de las prendas blancas. Para obtener mejores resultados, se recomienda el uso de detergente en polvo. Seleccionando la función de secado, al finalizar el lavado se realizará automáticamente un secado como si fuera al aire libre pero con las ventajas de evitar el amarilleo de las prendas por acción de los rayos solares y la pérdida del candor debido al polvillo presente en el aire. Se pueden seleccionar sólo los secados con niveles.

**Antialérgico:** utilice el programa **7** para la eliminación de los principales alérgenos como polen, ácaros, pelos de gato y de perro.

**Lana:** el ciclo de lavado "Lana" de esta lavadora ha sido aprobado por Woolmark Company para el lavado de prendas de lana clasificadas como "lavables a mano", siempre que el lavado se realice siguiendo las instrucciones contenidas en la etiqueta de la prenda y las indicaciones suministradas por el fabricante de esta lavadora. (M1127)



**Ultradelicado:** utilice el programa **9** para el lavado de las prendas muy delicadas que tienen aplicaciones como strass o lentejuelas.

Para el lavado de las prendas de **seda** o **cortinas**, seleccione el ciclo **9** y fije el nivel "Delicate" de la opción

Se recomienda voltear las prendas antes del lavado e introducir las más pequeñas en la bolsa para el lavado de prendas delicadas. Para obtener mejores resultados, se recomienda el uso de detergente líquido para prendas delicadas.

Seleccionando la función de secado exclusivamente con tiempo, al finalizar el lavado se realizará un secado de particular delicadeza gracias a un movimiento suave y a un chorro de aire con temperatura controlada.

Los tiempos aconsejados son:

1 kg de sintético --> 150 min.

1 kg de sintético y algodón --> 180 min.

1 kg de algodón --> 180 min.

El grado de secado dependerá de la carga y de la composición del tejido.

**Lava y Seca 45':** utilice el programa **11** para lavar y secar prendas (Algodón y Sintéticos) ligeramente sucias en poco tiempo: Seleccionando este ciclo se puede lavar y secar hasta 1 kg de ropa en sólo 45 minutos. Para alcanzar los mejores resultados utilizar detergente líquido; pre-tratar puños, cuellos y manchas.

## Sistema de equilibrado de la carga

Antes de cada centrifugado, para evitar vibraciones excesivas y para distribuir la carga de modo uniforme, el cesto realiza rotaciones a una velocidad ligeramente superior a la del lavado. Si después de varios intentos, la carga todavía no está correctamente equilibrada, la máquina realiza el centrifugado a una velocidad inferior a la prevista. Cuando existe un excesivo desequilibrio, la lavasecadora realiza la distribución antes que el centrifugado. Para obtener una mejor distribución de la carga y su correcto equilibrado, se aconseja mezclar prendas grandes y pequeñas.

Puede suceder que la lavasecadora no funcione. Antes de llamar al Servicio de Asistencia Técnica (ver "Asistencia Técnica"), controle que no se trate de un problema de fácil solución utilizando la siguiente lista.

## Anomalías:

### La lavasecadora no se enciende.

### El ciclo de lavado no comienza.

### La lavasecadora no carga agua (En la pantalla se visualiza el mensaje "H2O" centelleante).

### La lavasecadora carga y descarga agua continuamente.

### La lavasecadora no descarga o no centrifuga.

### La lavasecadora vibra mucho durante la centrifugación.

### La lavasecadora pierde agua.

### Los pilotos de las "Opciones" y de START/PAUSE centellean velozmente y en la pantalla se visualiza un código de anomalía (por ej.: F-01, F-...).

### Se forma demasiada espuma.

### La Lavasecadora no seca.

## Posibles causas / Solución:

- El enchufe no está introducido en la toma de corriente, o no hace contacto.
- En la casa no hay corriente.

- La puerta no está correctamente cerrada.
- El botón ON/OFF no fue pulsado.
- El botón START/PAUSE no ha sido presionado.
- El grifo de agua no está abierto.
- Se fijó un retraso de la hora de puesta en funcionamiento.

- El tubo de alimentación de agua no está conectado al grifo.
- El tubo está plegado.
- El grifo de agua no está abierto.
- En la casa no hay agua.
- No hay suficiente presión.
- El botón START/PAUSE no ha sido presionado.

- El tubo de descarga no está instalado entre los 65 y 100 cm. del suelo (ver "Instalación").
- El extremo del tubo de descarga está sumergido en el agua (ver "Instalación").
- La descarga de pared no posee un respiradero.

Si después de estas verificaciones, el problema no se resuelve, cierre el grifo de agua, apague la lavasecadora y llame al Servicio de Asistencia Técnica. Si la vivienda se encuentra en uno de los últimos pisos de un edificio, es posible que se verifiquen fenómenos de sifonaje, por ello la lavasecadora carga y descarga agua de modo continuo. Para eliminar este inconveniente se encuentran disponibles en el comercio válvulas especiales que permiten evitar el sifonaje.

- El programa no prevé la descarga: con algunos programas es necesario activarla manualmente .
- El tubo de descarga está plegado (ver "Instalación").
- El conducto de descarga está obstruido.

- El cesto, en el momento de la instalación, no fue desbloqueado correctamente (ver "Instalación").
- La máquina no está instalada en un lugar plano (ver "Instalación").
- Existe muy poco espacio entre la máquina, los muebles y la pared (ver "Instalación").

- El tubo de alimentación de agua no está bien enroscado (ver "Instalación").
- El contenedor de detergentes está obstruido (para limpiarlo ver "Mantenimiento y cuidados").
- El tubo de descarga no está bien fijado (ver "Instalación").

- Apague la máquina y desenchúfela, espere aproximadamente 1 minuto y luego vuelva a encenderla.  
Si la anomalía persiste, llame al Servicio de Asistencia Técnica.

- El detergente no es específico para la lavasecadora (debe contener algunas de las frases "para lavadora", "a mano o en lavadora" o similares).
- La dosificación fue excesiva.

- El enchufe no está introducido en la toma de corriente, o no hace contacto.
- En la casa no hay corriente.
- La puerta no está bien cerrada.
- Se fijó un retraso de la hora de puesta en funcionamiento.
- El SECADO está en la posición OFF.

# Asistencia Técnica

---

ES

## **Antes de llamar al Servicio de Asistencia Técnica:**

- Verifique si la anomalía la puede resolver Ud. solo (ver “Anomalías y soluciones”);
- Vuelva a poner en marcha el programa para controlar si el inconveniente fue resuelto;
- Si no es así, llame a un Centro de Asistencia Técnica.

! No recurra nunca a técnicos no autorizados.

## **Comuniqué:**


- el tipo de anomalía;
- el modelo de la máquina (Mod.);
- el número de serie (S/N).

Esta información se encuentra en la placa aplicada en la parte posterior de la lavasecadora y en la parte delantera abriendo la puerta.



# Instruções para a utilização

## MÁQUINA DE LAVAR E SECAR ROUPA

!  Este símbolo serve para lembrar-te de ler este manual de instruções.

PT

PT

Português

FDG 8640

### Sumário

#### **Instalação, 26-27**

Desembalar e nivelar  
Ligações hidráulicas e eléctricas  
Primeiro ciclo de lavagem  
Dados técnicos

#### **Manutenção e cuidados, 28**

Interromper a alimentação de água e de corrente eléctrica  
Limpar a máquina de lavar roupa  
Limpar a gaveta dos detergentes  
Cuidados com a porta de vidro e o tambor  
Limpar a bomba  
Verificar o tubo de alimentação de água

#### **Precauções e conselhos, 29**

Segurança geral  
Eliminação  
Abertura manual da porta de vidro

#### **Descrição da máquina, 30-31**

Painel de comandos  
Visor

#### **Como efectuar um ciclo de lavagem ou secagem, 32**

#### **Programas e opções, 33**

Tabela dos programas  
Opções de Lavagem

#### **Detergentes e roupa, 34**

Gaveta dos detergentes  
Preparar a roupa  
Programas especiais  
Sistema de balanceamento da carga

#### **Anomalias e soluções, 35**

#### **Assistência, 36**

 **Hotpoint**  

---

**ARISTON**

# Instalação

PT

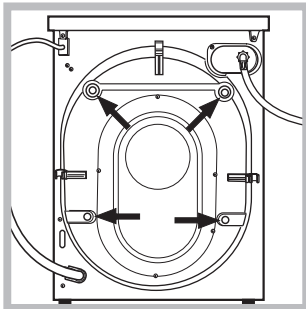
! É importante guardar este livrete para poder consultá-lo a qualquer momento. Se a máquina for vendida, cedida ou transferida, certifique-se que este livrete permaneça com a máquina para informar o novo proprietário acerca do seu funcionamento e das respectivas advertências.

! Leia com atenção estas instruções: há importantes informações acerca da instalação, da utilização e da segurança.

## Desembalar e nivelar

### Desembalar

1. Tire a máquina de lavar roupa da embalagem.
2. Verifique se a máquina de lavar roupa sofreu danos no transporte. Se estiver danificada não efectue a sua ligação e contacte o revendedor.



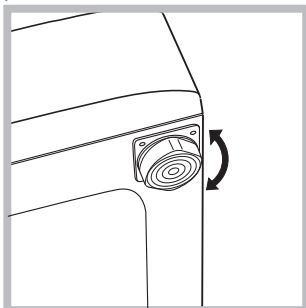
3. Tire os 4 parafusos de protecção para o transporte e a borrachinha com o respectivo calço, situados na parte traseira (veja a figura).

4. Tape os furos com as tampas em plástico fornecidas.
5. Guarde todas as peças: se for necessário transportar a máquina de lavar roupa, terão de ser montadas outra vez.

! Embalagens não são brinquedos para as crianças!

### Nivelamento

1. Instale a máquina de lavar roupa sobre um pavimento plano e rígido, sem encostá-la em paredes, móveis nem outro.



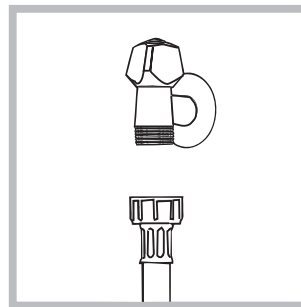
2. Se o pavimento não for perfeitamente horizontal, para compensar qualquer irregularidade, desatarraxe ou atarraxe os pés dianteiros (veja a figura); o ângulo de inclinação, medido no plano de trabalho,

não deve ultrapassar 2°.

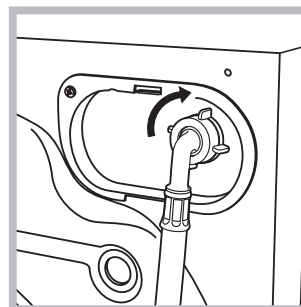
Um cuidadoso nivelamento dá estabilidade à máquina e evita vibrações, ruídos e deslocamentos durante o funcionamento. Se houver tapete ou alcatifa, regule os pés De modo a que debaixo da máquina de lavar roupa haja um espaço suficiente para ventilação.

## Ligações hidráulicas e eléctricas

### Ligação do tubo de alimentação da água



1. Realize a ligação do tubo de alimentação parafusando-o a uma torneira de água fria com bocal de rosca de 3/4 gás (veja a figura). Antes de realizar esta ligação, haja a água escorrer até estar límpida.



2. Ligue o tubo de alimentação na máquina de lavar roupa atarraxando-o no apropriado fornecimento da água, na parte traseira, em cima à direita (veja a figura).

3. Tome cuidado para o tubo não ser dobrado nem esmagado.

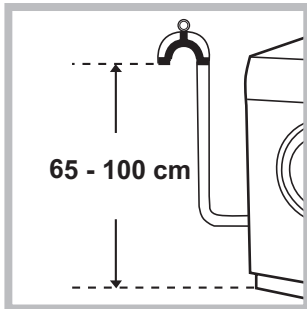
! A pressão hídrica da torneira deve ser entre os valores da tabela dos Dados técnicos (veja a página ao lado).

! Se o comprimento do tubo de alimentação não for suficiente, contacte uma oficina especializada ou um técnico autorizado.

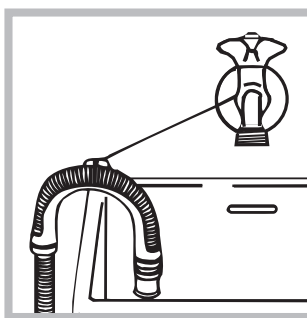
! Nunca utilize tubos já usados.

! Utilize aqueles fornecidos com a máquina.

## Ligação do tubo de descarga



Ligue o tubo de descarga, sem dobrá-lo, a uma conduta de descarga ou a uma descarga na parede situada entre 65 e 100 cm de altura do chão;



ou coloque na beira de um lavabo ou de uma banheira, prenda na torneira a guia fornecida (veja a figura). A ponta solta do tubo de descarga não deve permanecer emergida na água.

! É desaconselhado empregar tubos de extensão; mas se for indispensável, a extensão deve ter o mesmo diâmetro do tubo original e não medir mais de 150 cm de comprimento.

## Ligação eléctrica

Antes de ligar a ficha na tomada eléctrica, certifique-se que:

- a tomada tenha uma ligação à terra e seja nos termos da legislação;
- a tomada tenha a capacidade para suportar a carga máxima de potência da máquina, indicada na tabela dos Dados técnicos (veja ao lado);
- a tensão de alimentação seja entre os valores indicados na tabela dos Dados técnicos (veja ao lado);
- a tomada seja compatível com a ficha da máquina de lavar roupa. Se não for, substitua a tomada ou a ficha.

! Esta máquina de lavar roupa não deve ser instalada ao aberto, nem mesmo abrigada, porque é muito perigoso deixá-la exposta à chuva e às tempestades.

! Depois de ter instalado a máquina de lavar roupa, o acesso à tomada eléctrica deve ser fácil.

! Não empregue extensões nem fichas múltiplas.

! O cabo não deve ser dobrado nem apertado.

! O cabo de alimentação deve ser substituído somente por técnicos autorizados.

Atenção! O fabricante declina toda a responsabilidade se estas regras não forem respeitadas.

## Primeiro ciclo de lavagem

Depois da instalação, antes de usar, efectue um ciclo de lavagem com detergente mas sem roupa, defina o programa auto limpeza (veja "Limpar a máquina de lavar e secar roupa").

### Dados técnicos

<b>Modelo</b>	FDG 8640
<b>Medidas</b>	largura 59.5 cm altura 85 cm profundidade 60,5 cm
<b>Capacidade</b>	de 1 a 8 kg para a lavagem de 1 a 6 kg para a secagem
<b>Ligações eléctricas</b>	veja a placa das características técnicas colocada na máquina
<b>Ligações hídricas</b>	pressão máxima 1 MPa (10 bar) pressão mínima 0.05 MPa (0.5 bar) capacidade do tambor 62 litros

<b>Velocidade da centrifugação</b>	até 1.400 rotações por minuto
------------------------------------	-------------------------------

<b>Programas de controlo segundo a directiva EN 50229</b>	<b>lavagem:</b> programa 4; temperatura 60°C; realizado com carga de 8 kg. <b>secagem:</b> a secagem da carga menor (2kg) deve ser efectuada seleccionando o nível de secagem "A1" (EN-GOMAR), a carga da máquina de lavar roupa deve ser composta por 2 lençóis, 1 fronha e 1 toalha de rosto; a secagem da carga restante deve ser efectuada seleccionando o nível de secagem "A1" (EXTRA).
---	--



Esta aparelhagem é em conformidade com as seguintes Directivas Comunitárias:

- 2004/108/CE (Compatibilidade Electromagnética)
- 2012/19/EU
- 2006/95/CE (Baixa Tensão)

# Manutenção e cuidados

PT

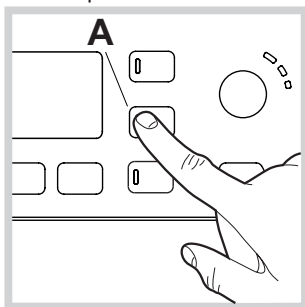
## Interromper a alimentação de água e de corrente eléctrica

- Feche a torneira da água depois de cada lavagem. Desta maneira diminuiu-se o desgaste do sistema hidráulico da máquina de lavar roupa e elimina-se o risco de inundação.
- Tire a ficha da tomada eléctrica quando for limpar a máquina de lavar roupa e durante os trabalhos de manutenção.

## Limpar a máquina de lavar roupa

- A parte externa e as peças em borracha podem ser limpas com um pano molhado com água morna e sabão. Não empregue solventes nem abrasivos.
- A máquina de lavar roupa dispõe de um programa de “**Auto Limpeza**” das suas partes internas que deve ser efectuado sem carga alguma dentro do tambor.

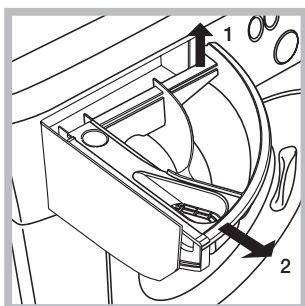
O detergente (na quantidade equivalente ao 10% daquela recomendada para peças pouco sujas) ou aditivos específicos para a limpeza da máquina de lavar roupa, poderão ser utilizados como coadjuvantes no programa de lavagem. Recomenda-se efectuar o programa de limpeza a cada 40 ciclos de lavagem.



Para activar o programa, pressione a tecla **A** por 5 segundos (ver figura). O programa iniciará automaticamente e terá uma duração de aproximadamente 70 minutos. Para terminar o ciclo, carregue no botão

START/PAUSE button.

## Limpar a gaveta dos detergentes



Para tirar a gaveta, erga-a e puxe-a para fora (veja a figura). Lave-a com água corrente; esta limpeza deve ser efectuada frequentemente.

## Cuidados com a porta de vidro e o tambor

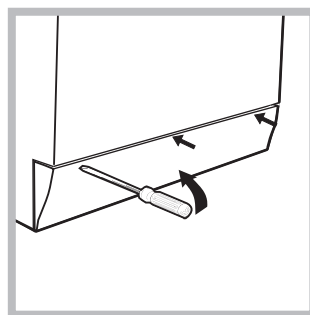
- Deixe a porta sempre entreaberta para evitar que se formem odores desagradáveis.

## Limpar a bomba

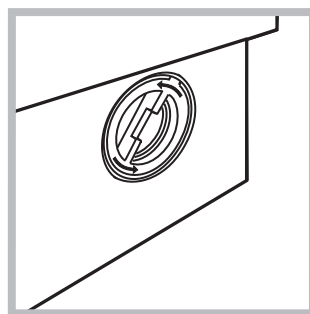
Esta máquina de lavar roupa é equipada com uma bomba com limpeza automática que não precisa de operações de manutenção. Entretanto pode acontecer que pequenos objectos (moedinhas, botões) caiam na pré-câmara que protege a bomba, situada na parte inferior da mesma.

! Certifique-se que o ciclo de lavagem tenha terminado e tire a ficha da tomada.

Para obter acesso à pré-câmara:



1. remova o painel de cobertura no lado anterior da máquina empurrando para o centro, em seguida empurre para baixo de ambos os lados e remova-o (veja as figuras).



2. desenrosque a tampa girando-a no sentido anti-horário (veja a figura). é normal que perca um pouco de água;

3. limpe o interior com cuidado;
4. enrosque outra vez a tampa;
5. monte outra vez o painel, certifique-se, antes de empurrá-la na máquina, que os ganchos foram colocados nas respectivas ranhuras.

## Verificar o tubo de alimentação de água

Verifique o tubo de alimentação pelo menos uma vez por ano. Se houver rachaduras ou fendas, será necessário substituí-lo: durante as lavagens as fortes pressões podem provocar repentinas quebras.

! Nunca utilize tubos já usados.

! Esta máquina de lavar roupa foi projectada e fabricada em conformidade com os regulamentos internacionais de segurança. Estas advertências são fornecidas por razões de segurança e devem ser lidas com atenção.

## Segurança geral

- Este aparelho foi projectado exclusivamente para um uso doméstico.
  - Este aparelho pode ser utilizado por crianças com mais de 8 anos e por pessoas com capacidades físicas, sensoriais ou mentais reduzidas ou com experiência e conhecimentos insuficientes, caso sejam supervisionadas ou caso tenham recebido instruções adequadas em relação ao uso do aparelho de forma segura, compreendendo os perigos associados. As crianças não devem brincar com o aparelho. A manutenção e limpeza não devem ser efectuadas por crianças sem supervisão.
    - Não secar roupas não lavadas.
    - As roupas sujas de substâncias como o óleo de fritura, acetona, álcool, gasolina, querosene, produtos tira-manchas, cera e substâncias para removê-la, devem ser lavados com água quente com uma quantidade superior de detergente antes de serem secas na máquina de secar roupa.
    - Objectos como a borracha expandida (espuma de látex), touças para banho, materiais têxteis impermeáveis, artigos com um lado de borracha ou roupas e traveseiros que possuam partes de espuma de látex não devem ser secos na máquina de secar roupa.
    - Produtos para amaciar ou similares devem ser utilizados em conformidade com as instruções do fabricante.
    - A parte final de um ciclo da máquina de secar roupas ocorre sem calor (ciclo de arrefecimento) para garantir que os produtos não sejam danificados.
- ATENÇÃO:** Nunca desligue a máquina de secar roupas antes que tenha terminado o programa de secagem. Nesse caso, retire rapidamente todas as peças de roupa e pendure-as para que se esfriem rapidamente.
- Não toque na máquina com os pés descalços nem com as mãos ou os pés molhados ou húmidos.
  - Não puxe o cabo eléctrico para tirar a ficha da tomada, pegue a ficha mesmo.
  - Não toque a água de descarga, que poderá chegar a temperaturas altas.
  - Em nenhum caso force a porta para abri-la: poderá danificar o mecanismo de segurança que a protege contra aberturas acidentais.
  - Se houver avarias, em nenhum caso mexa nos mecanismos internos para tentar reparar.
  - Verifique sempre que criança não se aproximem da máquina a funcionar.
  - Se for preciso deslocar a máquina, são precisas pelo menos duas ou três pessoas, com a máxima atenção. Nunca sozinho porque a máquina é muito pesada.
  - Antes de colocar a roupa controle que o tambor esteja vazio.
  - A porta da máquina a enxugar tende a esquentar-se.
  - Não enxugue roupa que tenha sido lavada com solventes inflamáveis (p. ex. trerimbitina).
  - Não enxugue espuma de borracha nem elastômeros análogos.

- Assegure-se que quando estiver a enxugar, a torneira da água esteja aberta.
- As crianças com menos de 3 anos devem ser mantidas afastadas da máquina de secar roupa se não forem constantemente vigiadas.
- Retirar todos os objectos dos bolsos, como isqueiros e fósforos.

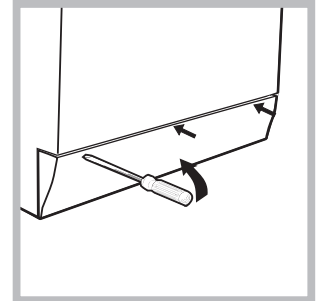
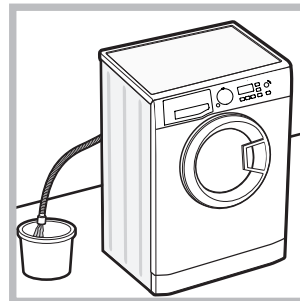
## Eliminação

- Eliminação do material de embalagem: obedeça os regulamentos locais, de maneira que as embalagens possam ser reutilizadas.
- A directiva Europeia 2012/19/EU relativa aos resíduos de equipamentos eléctricos e electrónicos prevê que os electrodomésticos não devem ser eliminados no normal fluxo dos resíduos sólidos urbanos. Os aparelhos que deixaram de ser utilizados devem ser recolhidos separadamente para otimizar a taxa de recuperação e reciclagem dos materiais que os compõem e impedir potenciais danos à saúde e ao meio ambiente. O símbolo do contentor de lixo barrado com uma cruz está presente em todos os produtos para lembrar o dever de recolha selectiva. Para mais informações sobre o correcto desmantelamento dos electrodomésticos, contacte o serviço público especializado ou os revendedores.

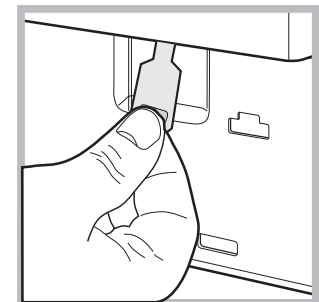
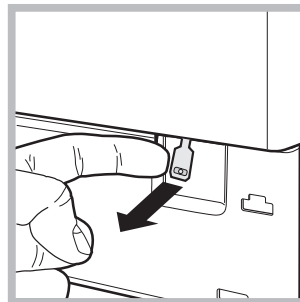
## Abertura manual da porta de vidro

Caso não seja possível abrir a porta de vidro por falta de energia eléctrica e quiser pendurar a roupa lavada, proceda da seguinte maneira:

1. tire a ficha da tomada de corrente.



2. verifique que o nível de água no interior da máquina seja inferior respeito à abertura da porta de vidro; caso contrário, tire a água em excesso através do tubo de descarga recolhendo-a num balde como indicado na figura.
3. tire o painel de cobertura da parte dianteira da máquina de lavar roupa com ajuda de uma chave de fendas(veja a figura).

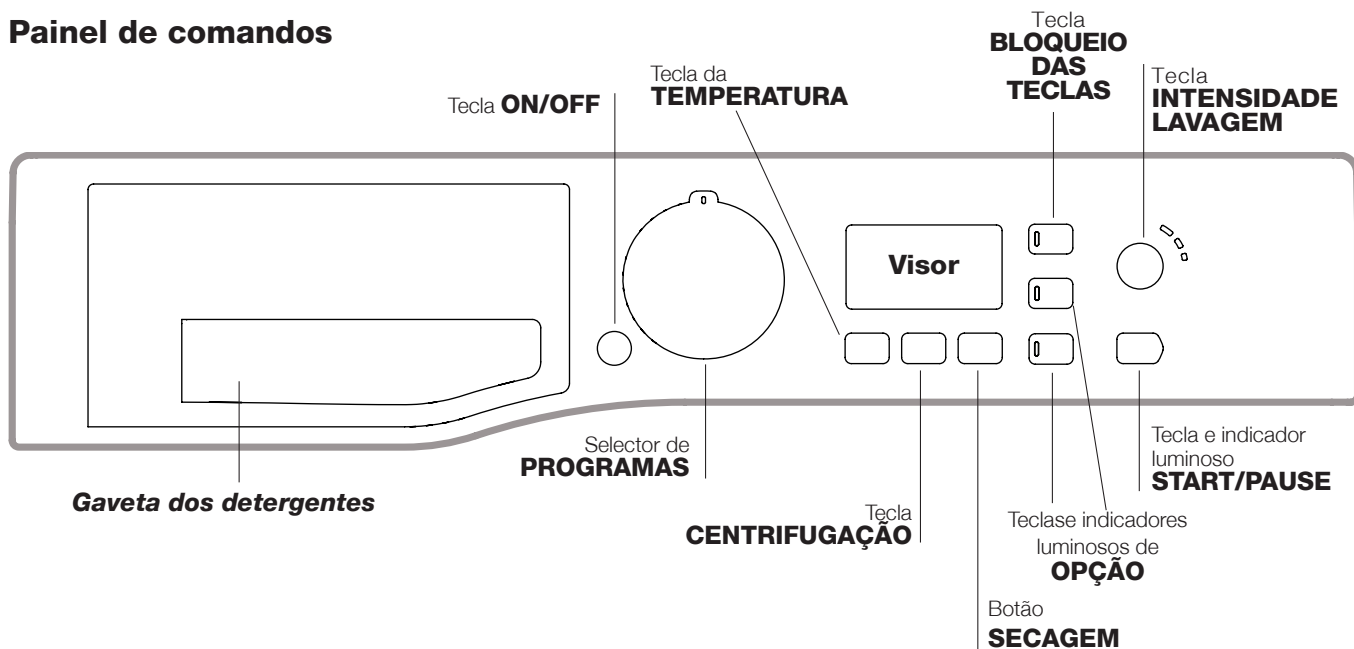


4. utilizando a lingueta indicada na figura, puxe para o exterior até liberar o tirante de plástico do fecho; puxá-lo sucessivamente para baixo e contemporaneamente abrir a porta.
5. monte outra vez o painel, certifique-se, antes de empurrá-la na máquina, que os ganchos foram colocados nas respectivas ranhuras.

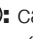
# Descrição da máquina

PT

## Painel de comandos



**Gaveta dos detergentes:** para colocar detergentes e aditivos (veja “Detergentes e roupa”).

Tecla **ON/OFF** : carregue brevemente na tecla para ligar ou desligar a máquina. O indicador luminoso START/PAUSE que pisca lentamente com a cor verde, indica que a máquina está ligada. Para desligar a máquina de lavar roupa durante a lavagem, é necessário manter pressionado a tecla por mais tempo, aproximadamente 3 segundos; uma pressão breve ou acidental não anulará o funcionamento da máquina. O desligar a máquina durante uma lavagem em curso anula a própria lavagem.


Selector de **PROGRAMAS**: para seleccionar o programa desejado (veja a “Tabela dos programas”).


Botões e indicadores luminosos **OPÇÃO**: para seleccionar as opções disponíveis. O indicador luminoso correspondente à opção seleccionada permanecerá aceso.


Tecla **INTENSIDADE LAVAGEM** : pressione para seleccionar a intensidade de lavagem desejada.

Tecla **TEMPERATURA** : pressionar para reduzir ou excluir a temperatura; o valor é indicado no visor.

Tecla **CENTRIFUGAÇÃO** : pressionar para reduzir ou excluir completamente a centrifugação; o valor é indicado no visor.

Botão **SECAGEM** : carregue na tecla para reduzir ou excluir a secagem; o nível ou o tempo de secagem seleccionado é indicado no visor,

Tasto com indicador luminoso **START/PAUSE**: quando o indicador luminoso verde, acender intermitentemente, carregue na tecla para iniciar uma lavagem. Quando o ciclo iniciar, o indicador permanecerá aceso fixo. Para colocar em pausa a lavagem, carregar novamente no botão; o indicador ficará intermitente com uma luz laranja. Se o símbolo  não estiver iluminado, será possível abrir a porta de vidro. Para fazer iniciar a lavagem do ponto em que foi interrompida, carregar novamente na tecla.

Tecla **BLOQUEIO DAS TECLAS**: para **activar** o bloqueio do painel de comandos, manter pressionada a tecla durante aproximadamente 2 segundos. O símbolo  aceso indica que o painel de comandos está bloqueado (à excepção da tecla ON/OFF). Deste modo, impedem-se modificações acidentais dos programas, sobretudo se houver crianças em casa. Para **desactivar** o bloqueio do painel de comandos, mantenha pressionada a tecla durante aproximadamente 2 segundos.

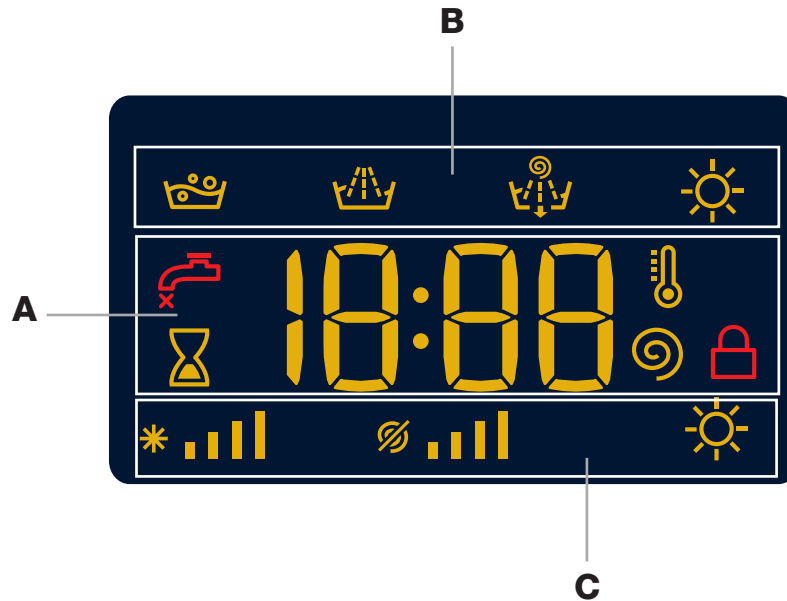
### Modalidade de Stand by

Esta máquina de lavar roupa, em conformidade com as novas normas sobre a economia energética, dispõe de um sistema de desligação automática (stand by) que entra em função aproximadamente 30 minutos depois, no caso de inutilização. Carregue brevemente no botão ON/OFF e aguarde até a reactivação da máquina.

Consumo em off-mode: 0,5 W

Consumo em Left-on: 8 W

## Visor







O visor é útil para programar a máquina e fornece muitas informações.



Na secção **A** é visualizada a duração dos vários programas à disposição e com o ciclo iniciado o tempo restante para o fim do mesmo (no visor é visualizada a duração máxima do ciclo seleccionado, que pode diminuir após alguns minutos, enquanto a duração efectiva do programa varia com base na carga de roupa e nas configurações realizadas); no caso em que tenha sido programado um INÍCIO POSTERIOR, será visualizado o tempo Restante para o início do programa seleccionado.

Além disso, ao pressionar o botão respectivo, são visualizados os valores máximos da temperatura, da velocidade de centrifugação ou do tipo de secagem previstos para o programa definido ou os últimos seleccionados, se compatíveis com o programa escolhido.

Na secção **B** são visualizadas as “fases de lavagem” previstas para o ciclo seleccionado e com o programa iniciado a “fase de lavagem” em curso.

-  Lavagem
-  Enxaguamento
-  Centrifugação/Descarga
-  Secagem


Na secção **C** estão presentes, da esquerda para a direita, os ícones relativos à “temperatura”, à “centrifugação” e ao “secagem”.

As barras da “temperatura” \*  indicam o nível de temperatura relativo ao máximo seleccionável para o ciclo programado. As barras da “centrifugação”  indicam o nível de centrifugação relativo ao máximo seleccionável para o ciclo programado.

O símbolo  ilumina-se durante a regulação da secagem.


Indicador luminoso **Porta bloqueada** 

O símbolo aceso indica que a porta está bloqueada. Para evitar danos é necessário aguardar que o símbolo apaga antes de abrir a porta de vidro.


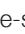
Para abrir a porta durante a realização de um ciclo, carregar na tecla START/PAUSE; se o símbolo PORTA DE VIDRO BLOQUEADA  estiver apagado será possível abrir a porta.

# Como efectuar um ciclo de lavagem ou secagem

PT


1. **LIGAR A MÁQUINA.** Carregue na tecla ; o indicador luminoso START/PAUSE piscará lentamente na cor verde.
2. **COLOCAR A ROUPA** Abrir a porta de vidro. Coloque a roupa dentro da máquina prestando atenção para não superar a carga máxima indicada na tabela dos programas na página seguinte.
3. **DOSAGEM DO DETERGENTE.** Extrair a gaveta e deitar o detergente nos específicos recipientes como explicado no parágrafo “*Detergentes e roupa*”.
4. **FECHAR A PORTA DE VIDRO.**
5. **Escolha do programa.** Seleccionar com o selector dos PROGRAMAS o programa desejado; ao mesmo é associada uma temperatura e uma velocidade de centrifugação que podem ser modificadas. No visor aparecerá a duração do ciclo.
6. **PERSONALIZAR O ciclo de lavagem.** Utilizar as específicas teclas:

## Modificar a temperatura e/ou a centrifugação.

A máquina visualiza automaticamente a temperatura e a centrifugação máximas para o programa seleccionado ou as últimas seleccionadas se compatíveis com o programa escolhido. Carregando no botão  pode-se reduzir a temperatura progressivamente até a lavagem a frio “OFF”. Carregando no botão  pode-se reduzir a centrifugação progressivamente até a sua exclusão “OFF”. Uma posterior pressão dos botões colocará os valores novamente aos máximos previstos.

! Excepção: seleccionando o programa 4 a temperatura pode ser aumentada até a 90°C (+ pré-lavagem).

## Ajustar a secagem

Com a primeira pressão da tecla , a máquina selecciona automaticamente o nível de secagem máximo compatível com o programa seleccionado. As pressões sucessivas farão decrementar o nível e sucessivamente o tempo de secagem até a sua exclusão “OFF”.

É possível programar a secagem

**A** - De acordo com o nível de secagem desejado:

**Engomar “A1”:** indicado para as peças que em seguidas devem ser passadas a ferro. O nível de humidade resíduo amacia as dobras e facilita a sua remoção.

**Estender “A2”:** ideal para as peças que não precisam ser completamente.


**Guardar “A3”:** adapto para as peças que devem ser guardadas no armário sem que seja necessário passar a ferro.

**Extra “A4”:** adapto para as peças que precisam de uma secagem completa, como toalhas e roupões.

**B** - De acordo com o tempo: de **30** até **180** minutos.


Caso a carga de roupa para lavar e secar for excepcionalmente superior ao máximo permitido, efectuar a lavagem e após o programa ter acabado, dividir a carga e colocar novamente uma parte no cesto. Cumprir com as instruções para efectuar “**Só secagem**”. Repetir as mesmas operações para a carga que ficou. No final da secagem efectua-se sempre um período de resfriamento.

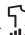

## Só secagem

Selecione com o selector dos programas uma secagem (**12-13-14**) em função do tipo de tecido. É possível programar também o nível ou o tempo de secagem desejado com a tecla SECAGEM .

Ao seleccionar com o botão de programas a secagem de algodão e ao pressionar a tecla “Eco” será executada uma secagem automática que permitirá uma poupança energética graças a uma excelente combinação entre a temperatura do ar e a duração do ciclo; no ecrã será visualizado o nível de secagem “**A2**”.

## Configurar a intensidade de lavagem desejada.

A opção  permite otimizar a lavagem conforme o grau de sujidade dos tecidos e à intensidade de lavagem desejada. Seleccionar o programa de lavagem, o ciclo será configurado automaticamente no nível “**Normal**”, optimizado para peças mediamente sujas (configuração não válida para o ciclo “**Lã**” que configura-se automaticamente no nível “**Delicate**”).

Para peças muito sujas, pressione a tecla  até chegar ao nível “**Intensive**”. Este nível garante uma lavagem de alto desempenho, graças ao uso de uma maior quantidade de água na fase inicial do ciclo e a uma maior movimentação mecânica, útil para eliminar as manchas mais resistentes. Pode ser utilizada **com** ou **sem** lixívia. Se quiser efectuar o branqueamento, coloque o recipiente adicional **4**, fornecido com o produto, no recipiente **1**. Quando deitar a lixívia, não ultrapasse o nível “**máx**” indicado no pino central (veja a figura da pág. 34). Para peças pouco sujas ou para um tratamento mais delicado dos tecidos, pressione a tecla  até alcançar o nível “**Delicate**”. O ciclo reduzirá a movimentação mecânica para garantir resultados de lavagem perfeitos para as peças delicadas.




## Modificar as características do ciclo.


- Pressionar o botão para activar a opção; o indicador luminoso correspondente ao botão irá acender-se.
- Carregar novamente no botão para desactivar a opção; o respectivo indicador luminoso irá apagar-se.

! Se a opção seleccionada não for compatível com o programa definido, o indicador luminoso acender-se-á intermitente e a opção não ficará activa.

! Se a opção seleccionada não for compatível com uma outra programada anteriormente, o respectivo indicador luminoso irá piscar e ficará activa somente a segunda, o indicador luminoso do botão irá acender-se.

! As opções podem variar a carga recomendada e/ou a duração do ciclo.

7. **INICIAR O PROGRAMA.** Carregar no botão START/PAUSE. O respectivo indicador luminoso ficará azul fixo e a porta de vidro irá bloquear-se (símbolo PORTA BLOQUEADA  aceso). Para modificar um programa durante a realização de um ciclo, **colocar a máquina de lavar roupa em pausa** carregando na tecla START/PAUSE (o indicador luminoso START/PAUSE irá piscar lentamente na cor laranja); seleccionar então o ciclo desejado e carregar novamente no botão START/PAUSE. Para abrir a porta durante a realização de um ciclo, carregar no botão START/PAUSE; se o símbolo PORTA BLOQUEADA  estiver apagado será possível abrir a porta. Carregar novamente no botão START/PAUSE para fazer iniciar o programa do ponto em que foi interrompido.
8. **FIM DO PROGRAMA.** É indicado pela escrita “**END**” no visor, quando o símbolo PORTA BLOQUEADA  irá apagar-se será possível abrir a porta. Abrir a porta, retirar a roupa e desligar a máquina.

! Se desejar anular um ciclo já iniciado, carregue por alguns segundos na tecla . O ciclo será interrompido e a máquina irá desligar-se.



## Tabela dos programas

Programas	Descrição do Programa	Temp. max. (°C)	Velocidade max. (rotações por minuto)	Secagem	Detergentes e aditivos				Carga max. (Kg)	Duração ciclo	
					Pré-lavagem	Lavagem	Água de Javel	Amaciador			
<b>CLEAN Plus</b>											
1	Antimancha	40°	1400	●	-	●	-	●	5	É possível controlar a duração dos programas de lavagem no visor.	
2	Antimancha Rápido	40°	1200	●	-	●	-	●	4,5		
3	Branco	60°	1400	●	-	●	-	●	5		
4	Programas de lavagem normal de algodão 60°C (1): brancos e coloridos resistentes muito sujos.	60°	1400	●	-	●	●	●	8		
4	Programas de lavagem normal de algodão (+ pré-lavagem): peças brancas extremamente sujas.	90°	1400	●	●	●	-	●	8		
5	Programas de lavagem normal de algodão 40°C (2): brancos e coloridos delicados pouco sujos.	40°	1400	●	-	●	●	●	8		
6	Sintéticos: coloridos resistentes muito sujos.	60°	800	●	-	●	●	●	4		
<b>SPECIALS</b>											
7	Anti-alérgico	60°	1400	●	-	●	●	●	5		
8	Lã: para lã, cashmere, etc.	40°	800	●	-	●	-	●	2		
9	Ultradelicado	30°	0	●	-	●	-	●	1		
10	Rápido 30': para refrescar rapidamente roupas pouco sujas (não é indicada para lã, seda e roupas que deve ser lavadas à mão).	30°	800	-	-	●	-	●	3,5		
11	Lava e Seca 45'	30°	1400	●	-	●	-	●	1		
<b>DRYING</b>											
12	Algodão	-	-	●	-	-	-	-	6		
13	Sintéticos	-	-	●	-	-	-	-	4		
14	Lã	-	-	●	-	-	-	-	2		
<b>Parciais</b>											
	Enxaguamentos	-	1400	●	-	-	-	●	8		
	Centrifugação e Descarga	-	1400	●	-	-	-	-	8		
	Apenas descarga *	-	OFF	-	-	-	-	-	8		

\* Ao seleccionar o programa e excluindo a centrifugação, a máquina efectuará apenas a descarga.

A duração do ciclo indicada no visor ou no manual é uma estimativa calculada com base nas condições padrão. O tempo efectivo poderá variar a depender de vários factores, tais como a temperatura e a pressão da água em entrada, a temperatura ambiental, a quantidade de detergente, a quantidade e o tipo de carga, o balanceamento da carga e as opções adicionais seleccionadas.

Para todos Test Institutes:

- 1) Programa de controlo segundo a norma EN 50229: configurar o programa 4 com uma temperatura de 60°C.
- 2) Programa longo para algodão: configurar o programa 5 com uma temperatura de 40°C.

## Opções de Lavagem

! Se a opção seleccionada não for compatível com o programa definido, o indicador luminoso acender-se-á intermitente e a opção não ficará activa.

! Se a opção seleccionada não for compatível com uma outra programada anteriormente, o respectivo indicador luminoso irá piscar e ficará activa somente a segunda, o indicador luminoso do botão irá acender-se.

### Eco

A opção Eco contribui com a economia energética não aquecendo a água utilizada para lavar a roupa – uma vantagem tanto para o ambiente, quanto para a factura da energia eléctrica. Com efeito, a acção reforçada e o consumo óptimo da água garantem excelentes resultados na mesma duração média de um ciclo padrão. Para obter os melhores resultados de lavagem, aconselha-se o uso de detergente líquido.

Ao seleccionar também a função de secagem, no final da lavagem é executada automaticamente uma secagem que contribui para a poupança energética, graças a uma excelente combinação entre a temperatura do ar e a duração do ciclo.

! É activável nos programas 4 e 5.

### Início Posterior

Para programar o início atrasado do programa escolhido, carregue no botão relativo até alcançar o tempo de atraso desejado. Quando esta opção está activa, o respectivo indicador luminoso ficará aceso. Para cancelar a opção de início posterior, carregue novamente na tecla até que no visor apareça a escrita "OFF".

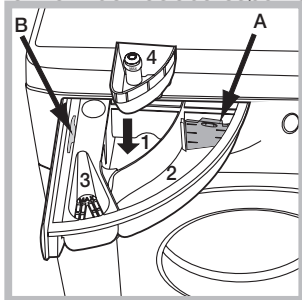
# Detergentes e roupa

PT

## Gaveta dos detergentes

O bom resultado da lavagem depende também do emprego da dose certa de detergente: com excessos não se lava de maneira mais eficaz, mas contribui-se para formar crostas nas peças internas da máquina de lavar roupa e poluir o meio ambiente.

! Não use detergentes para lavagem à mão, porque formam demasiada espuma.



Tire a gaveta dos detergentes e deite o detergente ou o aditivo da seguinte maneira:

### Gaveta 1: Detergente para pré-lavagem (em pó)

Antes de deitar detergente verifique se está colocada a gaveta adicional 4.

### Gaveta 2: Detergente para lavagem (em pó ou líquido)

No caso do uso de detergente líquido, aconselha-se usar o recipiente **A** fornecido com o aparelho para uma correcta dosagem. Para o uso do detergente em pó, coloque o recipiente na cavidade **B**.

### Gaveta 3: Aditivos (para amaciar etc.)

O aditivo para amaciar não deve ultrapassar a grade.

### Gaveta adicional 4: Água de Javel

## Preparar a roupa

- Divida a roupa em função:
  - do tipo de tecido / do símbolo na etiqueta.
  - as cores: separe as peças coloridas das brancas.
- Esvazie as algibeiras e verifique se há botões soltos.
- Não ultrapasse os valores indicados que se referem ao peso da roupa enxuta: veja a "Tabela dos programas".

### Quanto pesa a roupa?

- 1 lençol 400 - 500 g.
- 1 fronha 150 - 200 g.
- 1 toalha de mesa 400 - 500 g.
- 1 roupão 900 - 1.200 g.
- 1 toalha de rosto 150 - 250 g.

## Programas especiais

**Antimanchas:** o programa **1** é adequado à lavagem de peças muito sujas com cores resistentes. O programa garante uma classe de lavagem superior à classe padrão (classe A). Não misture roupas de cor diferente com este programa. Aconselhamos a utilização de detergente em pó. Para manchas resistentes recomenda-se pré-tratamento com aditivos específicos.

Ao seleccionar a função de secagem, no final da lavagem é executada automaticamente uma secagem como ao ar livre, com as vantagens de não favorecer o amarelecimento devido aos raios solares e evitar a perda de brancura devido a eventuais poeiras presentes no ar. É possível configurar apenas as secagens por nível. Aconselha-se a utilização do nível de secagem "A2".

**Antimancha Rápido:** o programa foi estudado para lavar a roupa com manchas diárias, mesmo as mais difíceis, numa hora. Adequado a roupa de cor de fibra mista, garantindo o máximo cuidado.

Ao seleccionar a função de secagem, no final da lavagem é executada automaticamente uma secagem como ao ar livre, com as vantagens de não favorecer o amarelecimento devido aos raios solares e evitar a perda de brancura devido a eventuais poeiras presentes no ar. É possível configurar apenas as secagens por nível. Aconselha-se a utilização do nível de secagem "A2".

**Branco:** utilize o ciclo **3** para a lavagem de peças brancas.

O programa foi estudado para preservar no tempo a luminosidade das peças brancas. Para obter melhores resultados, recomenda-se o uso de detergente em pó. Ao seleccionar a função de secagem, no final da lavagem é executada automaticamente uma secagem como ao ar livre, com as vantagens de não favorecer o amarelecimento devido aos raios solares e evitar a perda de brancura devido a eventuais poeiras presentes no ar. É possível configurar apenas as secagens por nível.

**Anti-alérgico:** utilizar o programa **7** para remover as principais causas de alergia, como pólen, ácaros, pelos de gato e cão.

**Lã:** o ciclo de lavagem "Lã" desta máquina de lavar roupa foi aprovado pela Woolmark Company para a lavagem de vestuário em lã classificado como "lavável à mão", desde que a lavagem seja executada de acordo com as instruções indicadas na etiqueta da peça e com as indicações fornecidas pelo fabricante da máquina de lavar roupa. (M1127)



**Ultradelicado:** utilize o programa **9** para a lavagem de peças muito delicadas, que possuem aplicações como aplicações ou brilhantes.

Para a lavagem de peças de **seda** e **cortinas**, seleccionar o ciclo **9** e configurar o nível "Delicate" da opção 1-2. Recomenda-se virar do avesso as roupas antes de lavá-las e colocar as peças pequenas no saquinho específico para a lavagem das peças delicadas.

Para obter melhores resultados, recomenda-se o uso de detergente líquido para peças delicadas.

Ao seleccionar a função de secagem exclusivamente a tempo, no final da lavagem é executada uma secagem particularmente delicada, graças a uma movimentação ligeira e a um jacto de ar a uma temperatura adequadamente controlada.

Os tempos aconselhados são:

- 1 kg de sintético --> 150 min.
- 1 kg de sintético e algodão --> 180 min.
- 1 kg de algodão --> 180 min.

O grau de secagem dependerá da carga e da composição do tecido.

**Lava e seca 45':** utilizar o programa **11** para lavar e secar as peças (Algodão e Sintéticos) pouco sujas em pouco tempo. Seleccionando este ciclo é possível lavar e secar até 1 kg de roupa em apenas 45 minutos. Para obter os melhores resultados, utilize um detergente líquido; pré-tratar os punhos, colarinhos e manchas.

## Sistema de balanceamento da carga

Antes de cada centrifugação, para evitar vibrações excessivas e para distribuir a carga em modo uniforme, o tambor efectua algumas rotações a uma velocidade levemente superior àquela de lavagem. Se no fim de repetidas tentativas a carga ainda não estiver correctamente balanceada, a máquina efectuará a centrifugação com uma velocidade inferior àquela prevista. No caso de um excessivo desequilíbrio, a máquina de lavar roupa efectuará a distribuição ao invés da centrifugação. Para favorecer uma melhor distribuição da carga e o seu correcto balanceamento, aconselha-se misturar peças grandes com peças pequenas.

Pode acontecer que a máquina de lavar roupa não funcione. Antes de telefonar para a Assistência Técnica (veja "Assistência"), verifique se não se trata de um problema fácil de resolver com ajuda da seguinte lista.

## Anomalias:

## Possíveis causas / Solução:

### A máquina de lavar roupa não liga.

- A ficha não está colocada na tomada eléctrica, ou não o suficiente para haver contacto.
- Em casa não há corrente.

### O ciclo de lavagem não inicia.

- A porta de vidro não está bem fechada.
- O botão ON/OFF não foi pressionado.
- O botão START/PAUSE não foi pressionado.
- A torneira da água não está aberta.
- Foi programado um atraso de uma hora no início.

### A máquina de lavar roupa não carrega água (no visor é visualizada a palavra "H2O" intermitente).

- O tubo de alimentação de água não está ligado na torneira.
- O tubo está dobrado.
- A torneira da água não está aberta.
- Está a faltar água em casa.
- Não há suficiente pressão.
- O botão START/PAUSE não foi pressionado.

### A máquina de lavar roupa carrega e descarrega água continuamente.

- O tubo de descarga não está instalado entre 65 e 100 cm de altura do chão (veja "Instalação").
- A ponta do tubo de descarga está imersa na água (veja "Instalação").
- Da descarga na parede não foi sangrado o ar.

Se depois destas verificações o problema não for resolvido, feche a torneira da água, desligue a máquina de lavar roupa e chame a assistência técnica. Se a morada encontrar-se nos últimos andares de um edifício, é possível que aconteçam fenómenos de sifão por causa dos quais a máquina de lavar roupa carrega e descarrega água continuamente. Para eliminar este inconveniente, há a disposição no comércio apropriadas válvulas contra o efeito sifão.

### A máquina de lavar roupa não descarrega ou nem realiza centrifugação.

- No programa não há descarga: com alguns programas será necessário iniciar a descarga manualmente.
- O tubo de descarga está dobrado (veja "Instalação").
- A conduta de descarga está entupida.

### A máquina de lavar roupa vibra muito durante a centrifugação.

- O tambor, no momento da instalação, não foi liberado correctamente (veja "Instalação").
- A máquina não está nivelada (veja "Instalação").
- A máquina está apertada entre móveis e parede (veja "Instalação").

### Da máquina de lavar roupa está a vazar água.

- O tubo de alimentação da água não está bem enroscado (veja "Instalação").
- O gaveta dos detergentes está entupida (para limpá-la veja "Manutenção e cuidados").
- O tubo de descarga não está fixado correctamente (veja "Instalação").

### Irão piscar os indicadores luminosos das "Opções" e o indicador de START/PAUSE e o visor irá indicar um código de anomalia (por ex.: F-01, F-..).

- Desligue a máquina e tire a ficha da tomada, aguarde aproximadamente 1 minuto e volte a ligá-la.  
Se a anomalia persistir, contacte a Assistência Técnica.

### Está a formar-se demasiada espuma.

- O detergente não é específico para máquina de lavar roupa (deve haver a escrita "para máquina de lavar", "à mão e para máquina de lavar" ou similares).
- A dose foi excessiva.

### A Máquina não seca.

- A ficha não está colocada na tomada eléctrica, ou não o suficiente para haver contacto.
- Em casa não há corrente.
- A porta da máquina não está bem fechada.
- Foi programado um início posterior.
- A SECAGEM fica em posição OFF.

# Assistência

---

PT

## **Antes de contactar a Assistência Técnica:**


- Verifique se consegue resolver a anomalia sozinho (*veja “Anomalias e soluções”*);
- Reinicie o programa para verificar se o inconveniente foi resolvido;
- Em caso negativo, contacte um Centro de Assistência Técnica.

! Nunca recorra a técnicos não autorizados.

## **Comunique:**

- o tipo de anomalia;
- o modelo da máquina (Mod.);
- o número de série (S/N)

Estas informações encontram-se na placa colocada na parte traseira da máquina de lavar roupa e na parte anterior abrindo a porta de vidro.

!  Ez a szimbólum arra figyelmeztet, hogy olvassa el ezt a használati utasítást.

HU

HU

Magyar

FDG 8640

## Összefoglalás

### Üzembe helyezés, 38–39

Kicsomagolás és vízszintbe állítás  
Víz- és elektromos csatlakozás  
Első mosási ciklus  
Műszaki adatok

### Karbantartás és ápolás, 40

A víz elzárása és az elektromos áram kikapcsolása  
A mosógép tisztítása  
A mosószer-adagoló fiók tisztítása  
Az ajtó és a forgódob ápolása  
A szivattyú tisztítása  
A vízbevezető cső ellenőrzése

### Óvintézkedések és tanácsok, 41

Általános biztonság  
Hulladékelhelyezés  
Az ajtó kézi nyitása

### A mosógép leírása, 42–43

Kezelőpanel  
Kijelző

### A mosási ciklusok, illetve a szárítás végrehajtása, 44

### Programok és opciók, 45

Programtáblázat  
Mosási opciók

### Mosószerek és mosandók, 46

Mosószer-adagoló fiók  
A mosandó ruhák előkészítése  
Különleges programok  
A bepakolt ruhák kiegyensúlyozására szolgáló rendszer

### Rendellenességek és elhárításuk, 47

### Szerviz, 48

# Üzembe helyezés

HU

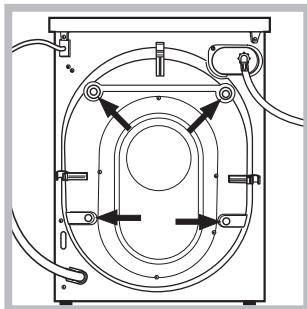
! E kézikönyv megőrzése azért fontos, hogy bármikor elővehesse, és megnézhesse. Ha a mosógépet eladná, átadná vagy másnál helyezné el, gondoskodjon arról, hogy e kézikönyv a mosógéppel együtt maradjon, hogy az új tulajdonos is megismerhesse a készülék funkcióit és az ezekre vonatkozó figyelmeztetéseket.

! Figyelmesen olvassa el az utasításokat: fontos információkat tartalmaznak az üzembe helyezésről, a használatról és a biztonságról.

## Kicsomagolás és vízszintbe állítás

### Kicsomagolás

1. Csomagolja ki a mosógépet.
2. Ellenőrizze, hogy a mosógép nem sérült-e meg a szállítás során. Ha a készüléken sérülést talál, ne csatlakoztassa, és forduljon a viszonteladóhoz.



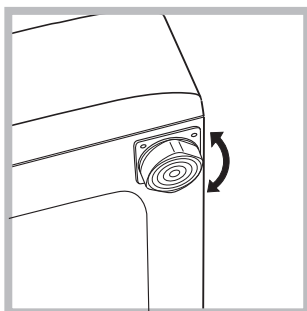
3. Csavarozza ki a készülék hátsó részén található, a szállításhoz szükséges 4 védőcsavart, és távolítsa el a gumibakot a távtartójával együtt (lásd ábra).

4. Zárja le a furatokat a mellékelt műanyag dugókkal.
5. Minden darabot őrizzen meg: ha a mosógépet szállítani kell, előtte ezeket vissza kell szerelni.

! A csomagolóanyag nem gyermekjáték.

### Vízszintbe állítás

1. A mosógépet sík és kemény padlóra állítsa, úgy, hogy ne érjen falhoz, bútorhoz vagy máshoz.

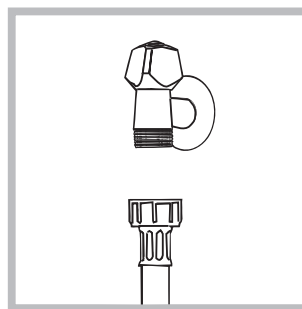


2. Ha a padló nem tökéletesen vízszintes, az első lábak be-, illetve kicsavarásával kompenzálhatja azt (lásd ábra). A dőlés a gép felső burkolatán mérve nem lehet több, mint 2°.

A pontos vízszintezés biztosítja a gép stabilitását, így az a működés során nem fog vibrálni, zajt okozni vagy elmozdulni. Szőnyegpadló vagy szőnyeg esetén a lábakat úgy állítsa be, hogy a mosógép alatt elegendő hely maradjon a szellőzésre.

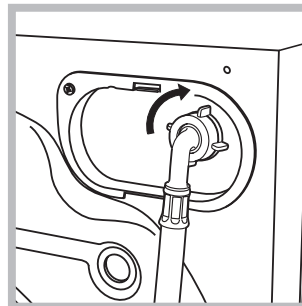
## Víz- és elektromos csatlakozás

### A vízbevezető cső csatlakoztatása



1. A vízbevezető cső csatlakoztatásához csavarozza fel a csövet egy 3/4"-os külső menettel rendelkező hidegvíz-csapra (lásd ábra). A csatlakoztatás előtt eressze meg a csapot, és folyassa a vizet addig, amíg az

teljesen átlátszóvá nem válik!



2. A vízbevezető cső csatlakoztatásához csavarozza a csövet a mosógép hátoldalán jobbra fent található vízbemeneti csonkra (lásd ábra).

3. Ügyeljen arra, hogy a csövön ne legyen törés vagy szűkület.

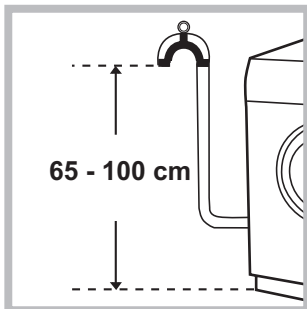
! A csap víznyomásának a műszaki adatok táblázatában szereplő határértékek között kell lennie (lásd a szemben lévő oldalt).

! Amennyiben a vízbevezető cső nem elég hosszú, forduljon szaküzlethez vagy engedéllyel rendelkező szakemberhez.

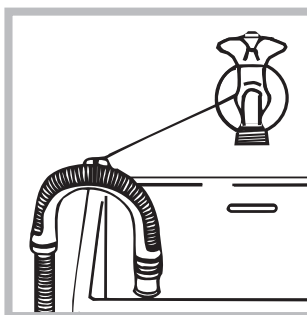
! Soha ne alkalmazzon már használt csöveket.

! Használja a készülékhez mellékelteket.

## A leeresztőcső csatlakoztatása



A leeresztőcsövet csatlakoztassa lefolyóhoz vagy a padlótól 65 és 100 cm közötti magasságban lévő fali lefolyószifonhoz anélkül, hogy megtörné!



Vagy akassza a mosdó vagy a kád szélére úgy, hogy a tartozékok között lévő vezetőt a csaphoz erősíti (lásd ábra). A leeresztőcső szabad végének nem szabad vízbe merülnie.

! Hosszabbító csövek használata nem javasolt. Amennyiben feltétlenül szükséges, a hosszabbító cső átmérője egyezzen meg az eredeti csőével, és semmiképpen se legyen 150 cm-nél hosszabb.

## Elektromos csatlakoztatás

Mielőtt a csatlakozódugót az aljzatba dugná, bizonyosodjon meg az alábbiakról:

- Az aljzat földelése megfelel a törvény által előírtak.
- Az aljzat képes elviselni a készülék műszaki adatait tartalmazó táblázatban megadott maximális teljesítményfelvételt (lásd szemben).
- A hálózat feszültsége a műszaki adatokat tartalmazó táblázatban szereplő értékek közé esik (lásd szemben).
- Az aljzat kompatibilis a mosógép csatlakozódugójával. Ellenkező esetben cserélje ki az aljzatot vagy a csatlakozódugót!

! A mosógép nem állítható fel nyílt téren, még akkor sem, ha a tér tetővel van fedve, mert nagyon veszélyes, ha a gép esőnek vagy zivataroknak van kitéve.

! A csatlakozódugónak a mosógép üzembe helyezett állapotában is könnyen elérhető helyen kell lennie.

! Ne használjon hosszabbítót vagy elosztót.


! A kábel ne legyen se megtörve, se összenyomva.

! A hálózati kábelt csak hivatalos szerelő cserélheti.

Figyelem! A fenti előírások figyelmen kívül hagyása esetén a gyártó elhárít minden felelősséget.

## Első mosási ciklus

Üzembe helyezés után – mielőtt a mosógépet használni kezdené – mosószerrel, mosandó ruha nélkül futtassa le a gépöblítés mosási programot (lásd "A mosógép tisztítása").

Műszaki adatok	
<b>Modell</b>	FDG 8640
<b>Méret</b>	szélesség 59,5 cm magasság 85 cm mélység 60,5 cm
<b>Ruhatöltet:</b>	mosáshoz 1-től 8 kg között szárításhoz 1-től 6 kg között
<b>Elektromos csatlakozás</b>	lásd a készüléken található, műszaki jellemzőket tartalmazó adattáblát!
<b>Vízcsatlakozások</b>	maximális nyomás 1 MPa (10 bar) minimális nyomás 0,05 MPa (0,5 bar) dob úrtartalma 62 liter
<b>Centrifuga fordulatszám</b>	1400 fordulat/perc-ig
<b>Az EN 50229 rendelet szerinti vizsgálati programok</b>	<b>mosáshoz:</b> 4-as program; 60 C-os hőmérséklet; 8 kg ruhatöltettel végezve. <b>szárításhoz:</b> egy kis adag (2kg) szárításához ki kell választani az "A1" (Vasalás) szárítási szintet, az ágyneműadag 2 lepedőből, 1 párnahuzatból és 1 törölközőből álljon; a maradandó szárítási adag végrehajtásához válassza ki az "A4" (Extra) szárítási szintet.
<b>CE</b>	Ez a berendezés megfelel a következő Uniói Előírásoknak: - 2004/108/CE előírás (Elektromágneses összeférhetőség) - 2012/19/EU - 2006/95/CE (Alacsony feszültség)
	

# Karbantartás és ápolás

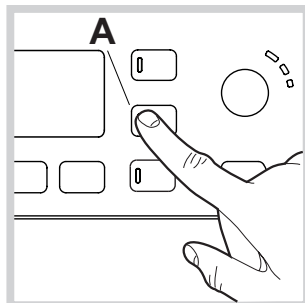
HU

## A víz elzárása és az elektromos áram kikapcsolása

- Minden mosás után zárja el a vízcsapot. Így kíméli a mosógép vízrendszerét és megszünteti a vízszivárgás kockázatát.
- A mosógép tisztításakor, illetve karbantatásakor húzza ki a hálózati csatlakozódugót az aljzatból.

## A mosógép tisztítása

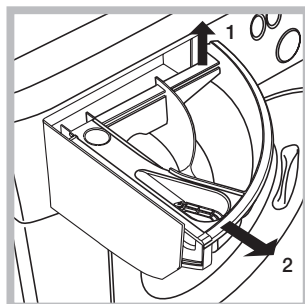
- A külső részeket és a gumirészeket langyos, szappanos vizes ronggyal tisztíthatja. Ne használjon oldószert vagy súrolószert!
- A mosógép a belső részegységek tisztítása érdekében „AUTOMATA TISSZTÍTÁS” programmal rendelkezik, melyet a **dob üres állapotában** kell végrehajtani. A mosószer (az enyhén szennyezett ruhadarabokhoz javasolt mennyiség 10%-ának megfelelő mennyiség) vagy a mosógéptisztító különleges adalékanyag a mosási program segédanyagaként használható. A tisztítási programot 40 mosási ciklusonként tanácsos lefuttatni.



A program bekapcsolásához nyomja meg 5 másodpercig az **A** gombot (lásd ábra). A program automatikusan elindul, és nagyjából 70 percig tart. A ciklus leállításához

nyomja meg az START/PAUSE gombot.

## A mosószer-adagoló fiók tisztítása



A fiók felemelésével és kifelé húzásával vegye ki a fiókot (lásd ábra). Folyó víz alatt mossa ki! Ezt a tisztítást gyakran el kell végezni.

## Az ajtó és a forgódob ápolása

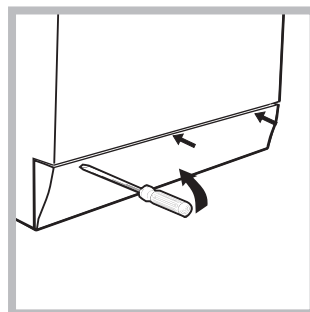
- Az ajtót hagyja mindig résre nyitva, nehogy rossz szagok keletkezzenek.

## A szivattyú tisztítása

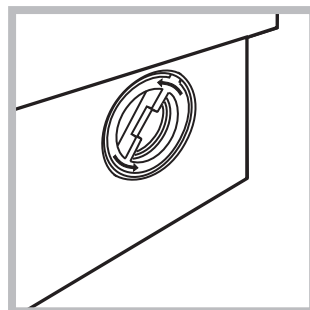
A mosógép öntisztító szivattyúval van felszerelve, melynek nincs szüksége tisztítási és karbantartási műveletekre. Előfordulhat azonban, hogy apró tárgyak (aprópénz, gomb) esnek a szivattyú alsó részén található szivattyúvédő előkamrába.

! Győződjön meg róla, hogy a mosóprogram véget ért, és húzza ki a hálózati csatlakozót.

Az előkamrához való hozzáférés érdekében tegye a következőket:



1. Egy csavarhúzó segítségével távolítsa el a burkolópanelt a készülék elejéről (lásd ábra);



2. Órairánnyal ellentétesen forgatva csavarja le a fedelet (lásd ábra). Természetes, hogy egy kevés víz kifolyik;

3. Gondosan tisztítsa ki az üreg belsejét;
4. Csavarja vissza a fedelet;
5. Szerelje vissza a panelt – mielőtt a gép felé nyomná, győződjön meg arról, hogy a horgok a hozzájuk tartozó furatokba illeszkednek.

## A vízbevezető cső ellenőrzése

Évente legalább egyszer ellenőrizze a vízbevezető csövet. Ha repedezett vagy hasadozott, ki kell cserélni – a mosás során a nagy nyomás hirtelen szakadást okozhat.

! Soha ne használjon korábban már használt csöveket.



! A mosógépet a nemzetközi biztonsági szabványoknak megfelelően tervezték és gyártották. Ezeket a figyelmeztetéseket biztonsági okokból írjuk le, és figyelmesen el kell olvasni őket!

## Általános biztonság

- Ez a készülék kizárólag háztartási használatra lett tervezve.
  - Ezt a készüléket a 8 éves kort betöltött gyermekek, valamint a testileg, érzékszervileg vagy szellemileg korlátozott, nem hozzáértő, illetve a terméket nem ismerő személyek csak megfelelő felügyelet mellett, vagy a készülék biztonságos használatával kapcsolatos alapvető utasítások és a kapcsolódó veszélyek ismeretében használhatják. A gyerekek nem játszhatnak a készülékkel. A karbantartási és tisztítási munkálatokat felügyelet nélkül hagyott gyerekek nem végezhetik.
    - Ne szárítson nem mosott holmikat.
    - A főzőolajjal, acetonnal, alkohollal, benzinnel, kerozinnal, folttisztítóval terpetinnel, viasszal és az azok eltávolítására használt anyagokkal bekoszolódott ruhadarabokat a szárítógépben való szárításuk előtt meleg vízben kell mosni, sok mosószerrel.
    - Az olyan anyagokat, mint a habzivacs (polifoam szivacsok), a fürdősapka, a vízálló szövetek, az egy oldalon gumival bevont ruhaneműk, valamint a habzivacs részekkel rendelkező ruhadarabok, nem szabad szárítógépben szárítani.
    - Az öblítőket és hasonló termékeket a gyártó által megadott utasításoknak megfelelően kell használni.
    - A szárítógép ciklusainak a befejező részén nincs hőközlés (hűtési ciklus), hogy a ruhaneműket a rendszer ne károsítsa.
- FIGYELEM:** Soha ne állítsa le a szárítógépet a szárítási program vége előtt. Ilyen esetben gyorsan vegyen ki minden ruhadarabot, és teregessze ki őket, hogy gyorsan kihülhessenek.
- Ne érjen a géphez mezítláb, illetve vizes vagy nedves kézzel vagy lábbal!
  - A dugót soha ne tápkábel, hanem a dugó meghúzásával húzza ki az aljzatból!
  - Ne nyissa ki a mosószer-adagoló fiókot, ha a mosógép működik.
  - Ne nyúljon a leeresztett vízbe, mert forró lehet!
  - Semmiképpen ne feszegesse az ajtót: megsérülhet a véletlen nyitást megakadályozó biztonsági retesz.
  - Hiba esetén semmiképpen se nyúljon a gép belső részeihez, és ne próbálja megjavítani!
  - Mindig ügyeljen arra, hogy gyermekek ne mehessenek a működő gép közelébe.
  - A mosás során az ajtó meleg lehet.
  - Amennyiben a gépet át kell helyezni, az áthelyezést két vagy három személy végezze, maximális odafigyeléssel. Soha ne próbálja meg a készüléket egyedül elmozdítani, mert az nagyon nehéz.
  - A mosandó berakása előtt ellenőrizze, hogy a forgódob üres-e.
  - A szárítási folyamat közben a készülék ajtaja felmelegszik.
  - A készüléket ne használja olyan ruhaneműk szárítására, melyek előzetesen nyúlékony adalékokkal lettek kezelve (például triklór-etilén, benzin).

- A mosószárítógépben tilos habzivacsot vagy gumirozott anyagokat szárítani.
- Ellenőrizze, hogy a szárítási programnál a vízcsap nyitva van-e.
- A 3 éves kor alatti gyermekeket tartsa távol a szárítógéptől, ha nincsenek folyamatosan felügyelet alatt.
- Távolítsa el minden tárgyat, pl. öngyújtókat és gyufákat, a zsebekből.

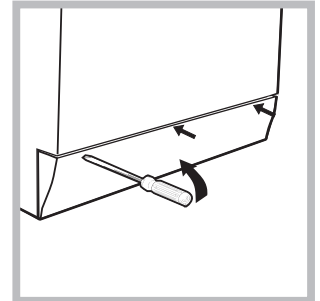
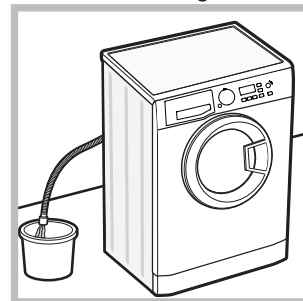
## Hulladékelhelyezés

- A csomagolóanyag megsemmisítése: tartsa be a helyi előírásokat, így a csomagolás újrahasznosítható.
- Az Európai Parlament és Tanács, elektromos és elektronikus berendezések hulladékairól (WEEE) szóló 2012/19/EU irányelve előírja, hogy e hulladékok nem kezelhetők háztartási hulladékként. A forgalomból kivont berendezéseket, az azokat alkotó anyagok hatékonyabb visszanyerése, illetve újrahasznosítása, valamint az emberi egészség és a környezet védelme érdekében szelektíven kell gyűjteni! Az összes terméken megtalálható áthúzott szemetes szimbólum a szelektív gyűjtési kötelezettségre emlékeztet. A tulajdonosok, elektromos háztartási gépek forgalomból történő helyes kivonásával kapcsolatban, további információért a megfelelő közszolgálatához, illetve a forgalmazóhoz is fordulhatnak.

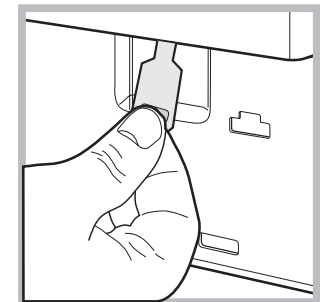
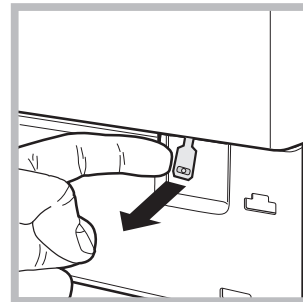
## Az ajtó kézi nyitása

Amennyiben ki akarja teregetni a mosott ruhaneműt, de áramhiány miatt nem tudja kinyitni a mosógép ajtaját, tegye a következőket:

1. Húzza ki a dugót a konnektorból.



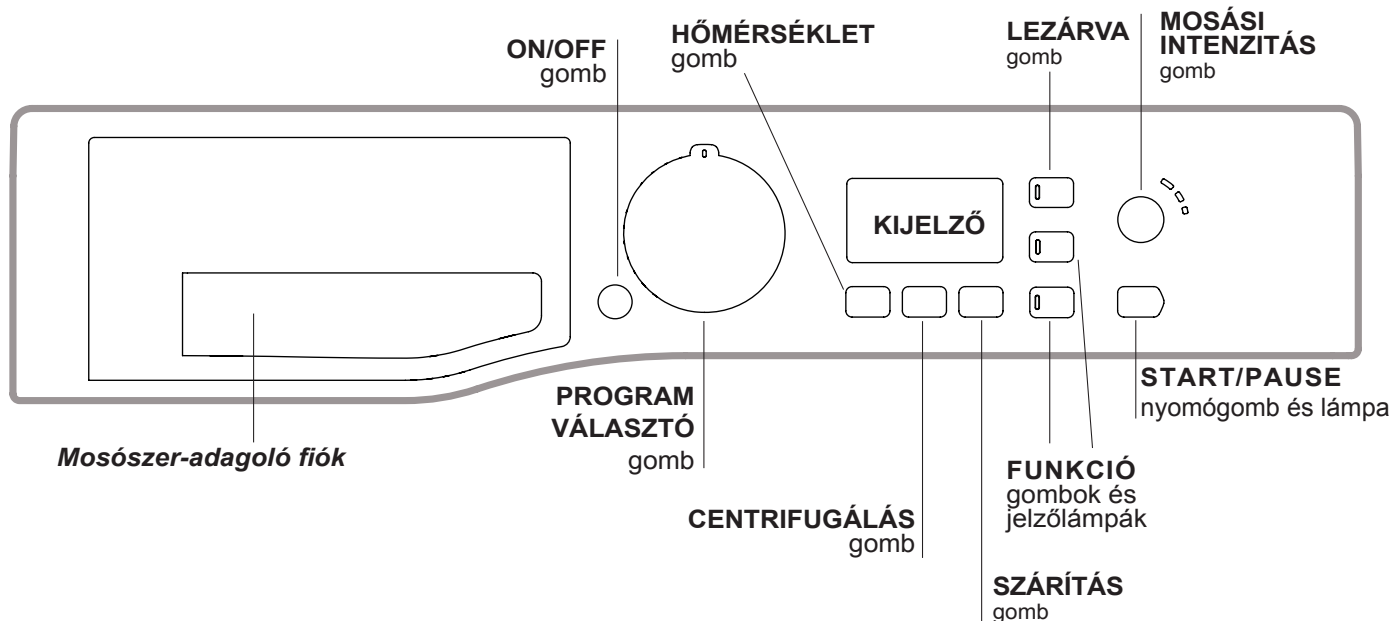
2. Győződjön meg arról, hogy a készülékben maradt víz szintje az ajtószint alatt van – ellenkező esetben erressze le a fölösleges vizet a leeresztőcsövön keresztül egy vödörbe, ahogy azt az **ábra** is mutatja.
3. Egy csavarhúzó segítségével távolítsa el a burkolópanelt a mosógép elejéről (**lásd ábra**).




4. Az ábrán látható fülecske kihúzásával szabadítsa ki a műanyag húzókat; húzogassa lefelé, és ezzel egyidejűleg nyissa ki az ajtót.
5. Szerelje vissza a panelt – mielőtt a gép felé nyomná, győződjön meg arról, hogy a horgok a hozzájuk tartozó furatokba illeszkednek.

# A mosógép leírása

## Kezelőpanel




**Mosószer-adagoló fiók:** a mosószerek és adalékanyagok betöltésére szolgál (lásd "Mosószerek és mosandók").


**ON/OFF gomb** : a készülék be-, vagy kikapcsolásához nyomja meg röviden ezt a gombot. Amennyiben az START/PAUSE lámpa zöld fénnel lassan villog, a készülék be van kapcsolva. A mosógép mosás közben történő leállításához hosszan, kb. 3 másodpercig tartsa lenyomva a nyomógombot – a gomb rövid, vagy véletlen megnyomása nem kapcsolja le a készüléket. A mosógép mosás közben történő leállítása magát a mosás programot is törli. A kívánt programot újból be kell állítani.


**PROGRAMOK TEKERŐGOMB:** a kívánt program beállítására szolgálnak (lásd "Programtáblázat").


**FUNKCIÓ gombok és jelzőlámpák:** a lehetséges funkciók kiválasztására. A kiválasztott funkció jelzőlámpája égve marad.


**MOSÁSI INTENZITÁS**  gomb: A kívánt mosási intenzitás kiválasztására szolgál.

**HOMÉRSÉKLET gomb** : a hőmérséklet csökkentéséhez vagy mellőzéséhez nyomja meg ezt a gombot – az érték megjelenik a kijelzőn.

**CENTRIFUGÁLÁS gomb** : a centrifugálás sebességének csökkentéséhez, vagy annak teljes kikapcsolásához nyomja meg ezt a gombot – az érték megjelenik a kijelzőn.

**SZÁRÍTÁS gomb** : a szárítási beállítások módosításához nyomja meg ezt a gombot – a szárítási szint, illetve szárítási idő kiválasztott értéke megjelenik a kijelzőn.

**START/PAUSE jelzőlámpás gomb:** ha a zöld jelzőlámpa lassan villog, a mosás indításához nyomja meg ezt a gombot. A ciklus elindításával a jelzőlámpa állandó fénnel kezd világítani. A mosás szüneteltetéséhez ismételtelen nyomja meg ezt a gombot; a jelzőlámpa narancssárga fénnel kezd el villogni. Amennyiben a  szimbólum nem világít, az ajtót ki lehet nyitni. A mosásnak a megszakítás időpontjától való folytatásához nyomja meg ismét ezt a gombot.

**LEZÁRVA gomb:** a kezelőpanel letiltásához nagyjából 2 másodpercig tartsa lenyomva ezt a gombot. Ha a szimbólum  világít, az azt jelenti, hogy a gyerekszár aktiválva van (a ON/OFF gomb kivételével). Ez a funkció megakadályozza a programok véletlen átállítását, főképp, ha gyerekek is vannak a lakásban. A kezelőpanel letiltásának kikapcsolásához nagyjából 2 másodpercig tartsa lenyomva ezt a gombot.

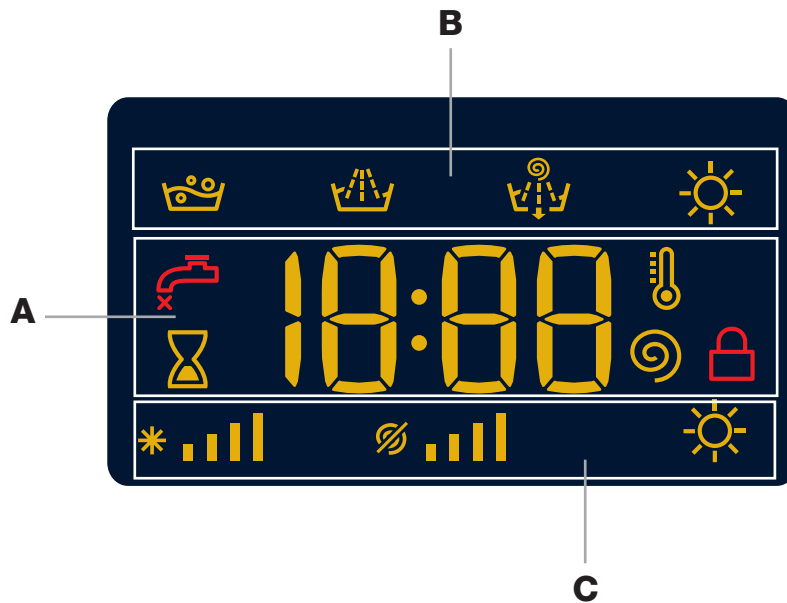
### Készenléti üzemmód

Ez a mosógép - az energiatakarékosságra vonatkozó legújabb előírásoknak megfelelően - automatikus kikapcsolási (készenléti) rendszerrel van ellátva, mely a használat megadott 30 percnyi szüneteltetése esetén bekapcsol. Nyomja meg röviden a ON/OFF gombot, és várjon, amíg a készülék újrabekapcsol.

Fogyasztás off üzemmódban: 0,5 W

Fogyasztás bekapcsolva hagyott üzemmódban: 8 W

## Kijelző







A kijelző a készülék programozásához nyújt segítséget, és számos információt szolgáltat.


Az **A** feliratmezőben a rendelkezésre álló programok hossza, illetve elindított ciklus esetén a program végéig hátralévő maradékidő látható (a kijelzőn megjelenik a kiválasztott ciklus max. időtartama, mely néhány perc után csökkenhet, mivel a program valós időtartama a fehérnemű adag és a beállításoktól függően változik). KÉSLELTETETT INDÍTÁS beállítása esetén a kiválasztott program elindulásáig hátralévő időt jeleníti meg.


Ezenkívül a megfelelő gomb megnyomása esetén megjelenik a beállított programhoz választható „hőmérséklet”, „centrifugasebesség” vagy „szárítási típus” maximális értéke, vagy a legutóbb kiválasztott értékek, amennyiben azok kompatibilisek a kiválasztott programmal.


A **B** feliratmező a kiválasztott mosási program mosási fázisait, elindított program esetén pedig az éppen folyamatban lévő mosási fázist jeleníti meg:

-  Mosás
-  Öblítés
-  Centrifugálás/Ürités
-  Szárítás


A **C** feliratmezőben balról jobbra a „hőmérséklet”, a „centrifugálás” és a „Szárítás” szimbólumai jelennek meg.

A „hőmérséklet” sávok \*  a hőmérsékletnek a beállított ciklushoz választható maximális hőmérséklethez viszonyított szintjét jelölik.

A „centrifugálás” sávok  a centrifugálásnak a beállított ciklushoz választható maximális centrifugáláshoz viszonyított szintjét jelölik.

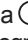
A szárítás beállítása közben az  szimbólum világítani fog.



### AJTÓZÁR lámpa

A világító szimbólum azt jelöli, hogy az ajtó reteszelve van. A károk elkerülése érdekében az ajtó kinyitása előtt meg kell várni, hogy a szimbólum kialudjon. Az ajtó menet közbeni kinyitásához nyomja meg az START/PAUSE gombot – ha az AJTÓZÁR szimbólum  kialudt, kinyithatja az ajtót.

# A mosási ciklusok, illetve a szárítás végrehajtása


HU

- KAPCSOLJA BE A KÉSZÜLÉKET.** Nyomja meg a  gombot – az START/PAUSE lámpa lassan, zöld fénnel villogni kezd.
- PAKOLJA BE A MOSANDÓ RUHÁKAT.** Nyissa ki az ajtót. Tegye be a mosandó ruhákat, ügyelve arra, hogy ne lépje túl a következő oldalon található programtáblázatban feltüntetett ruhatöltet-mennyiséget.
- ADAGOLJA BE A MOSÓSZERT.** Vegye ki a fiókot, és a *“Mosószerek és mosandók”* fejezetben leírtak szerint öntse a mosószert a megfelelő tégelybe.
- CSUKJA BE AZ AJTÓT.**
- VÁLASSZA KI A PROGRAMOT!** A PROGRAM VÁLASZTÓ gombbal válassza ki a kívánt programot; mindegyik programhoz tartozik egy hőmérséklet és egy centrifugálási sebesség, melyek megváltoztatható értékek. A kijelzőn a program hossza jelenik meg.
- VÉGEZZE EL A MOSÁSI CIKLUS EGYÉNI BEÁLLÍTÁSÁT.** Használja a megfelelő gombokat:

**A hőmérséklet és/vagy a centrifugasebesség megváltoztatása.** A készülék automatikusan kijelzi az elindított programhoz tartozó legmagasabb hőmérsékletet és centrifugasebességet, vagy a legutóbb kiválasztottakat, amennyiben azok kompatibilisek a kiválasztott programmal. A  gomb nyomogatásával a hőmérséklet fokozatosan csökkenthető egészen a hidegmosásig “OFF”. A  gomb nyomogatásával a centrifugasebesség fokozatosan csökkenthető egészen annak kikapcsolásáig “OFF”. A gomb legalsó értéken történő megnyomásával visszatérhet a maximális értékekhez.

! Kivétel: a 4 program kiválasztása esetén a hőmérséklet egészen 90°C-ig növelhető (+ Előmosás).

## A szárítás beállítása

A gomb  első megnyomása esetén a készülék a kiválasztott programnak megfelelően automatikusan kiválasztja a maximális szárítási szintet. A gomb minden egyes további megnyomása esetén a készülék eggyel alacsonyabb szintre állítja a szárítási szintet, közvetetten pedig a szárítási időt is, egészen annak kikapcsolásáig, azaz az „OFF” értékig. A szárítás beállítható:

**A-** Beállítás a megszáritott ruhadarabok nedvességtartalma alapján:

**Vasalás “A1”:** Azon ruhadarabok mosására szolgál, melyeket mosás után vasalni kell. A ruhában maradt nedvesség puhává tesz a ráncokat, és megkönnyíti azok eltávolítását.

**Akaszó “A2”:** Ideális a teljes szárítást nem igénylő ruhadarabokhoz.

**Szekrény “A3”:** Azon mosandó ruhák mosására szolgál, melyeket mosás után vasalás nélkül a szekrénybe lehet tenni.


**Extra “A4”:** Azon ruhadarabok mosására szolgál, melyek teljes szárítást igényelnek (pl. frottírölközők és fürdőköpenyek).

**B** -az idő alapján: **30 - 180** percig.

Ha a mosni és szárítani kívánt ruhanemű mennyisége jóval több, mint a megengedett, végezze el a mosást, és a program befejeztével válassza szét a ruhaneműt és egy részét tegye vissza a dobba. Ezután kövesse a „**Csak szárítás**” végrehajtásához megadott instrukciókat. Ismétlje meg ugyanezt a maradék ruhaneművel is.

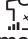
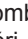
**Megjegyzés:** A szárítás végét mindig hűtési folyamat követi.


## Csak szárítás

Forgassa a PROGRAMOK tekerőgombot a kelme típusának megfelelő szárítási beállításra (12-13-14), azaz válassza ki a kívánt szárítási típust a SZÁRÍTÁS tekerőgomb  segítségével.

A programválasztó gomb segítségével válassza ki a pamutszáritást, és az “Eco” gomb lenyomásával elindul az automatikus szárítási program, mely az optimális levegőhőmérséklet és ciklus-időtartam kombinációnak hála energiatakarékos; A kijelzőn megjelenik az “A2” szárítási fokozat.

## A kívánt mosási intenzitás beállítása.

Az opció  a mosásnak az anyagok szennyezettségétől és a kívánt mosási intenzitástól függő optimalizálására szolgál. Válassza ki a mosási programot, mire a rendszer ciklust automatikusan a közepesen szennyezett ruhadarabokra optimalizált “Normal” szintre állítja be – a beállítás nem érvényes a „Gyapjú” ciklusra, melynél a rendszer a ciklust automatikusan a “Delicate” szintre állítja). Erősen szennyezett ruhadarabok esetén nyomogassa a  gombot addig, amíg a kívánt “Intensive” szintet el nem éri. Ez a szint, a ciklus kezdetén felhasznált nagy mennyiségű víznek és a nagyobb mechanikai átmogatásnak köszönhetően nagy mosóhatást biztosít, ezért alkalmas a makacs szennyeződések eltávolítására. Használható **fehéritőszerezrel vagy anélkül**. Ha fehériteni szeretne, tegye be a mellékelt, 4-es berakható rekeszt az 1-es rekeszbe. A fehéritőszer betöltése közben vigyázzon arra, hogy az a központi csapon jelzett „max” szintet ne lépje túl (lásd 46. oldali ábra).

Enyhén szennyezett ruhadarabok esetén vagy ha a szövetek kíméletesebb kezelésére van szükség, nyomogassa a  gombot addig, amíg a kívánt “Delicate” szintet el nem éri. A ciklus a kényes anyagok tökéletes mosási eredménye érdekében lecsökkenti a mechanikus mozgatás mértékét.




## A ciklus jellemzőinek megváltoztatása.


- Az opció bekapcsolásához nyomja meg ezt a gombot – a gombon található jelzőlámpa kigyullad.
- Az opció kikapcsolásához ismételten nyomja meg a gombot – a lámpa kialszik.

! Ha a kiválasztott opció a beállított programmal nem fér össze, a lámpa villogni kezd, és az opció nem lesz bekapcsolva.

! Ha a kiválasztott Aopció egy korábban beállított programmal nem fér össze, az elsőként kiválasztott funkció lámpája villogni kezd, és csak a második funkció lesz bekapcsolva, az ennek gombjához tartozó lámpa kigyullad.

! A funkciók megváltoztathatják az ajánlott ruhatöltet-mennyiséget és/vagy a ciklusidőt.

- INDÍTSA EL A PROGRAMOT.** Nyomja meg az START/PAUSE gombot. A megfelelő jelzőlámpa állandó kék fénnel világítani kezd, és az ajtózár bekapcsol (az AJTÓZÁR szimbólum  világítani kezd). A program menet közben történő megváltoztatásához az START/PAUSE gomb megnyomásával szüneteltesse le a mosógépet – az START/PAUSE lámpa narancssárga fénnel lassan villogni kezd. Ezután válassza ki a kívánt programot, és nyomja meg újból az START/PAUSE gombot. Az ajtó menet közbeni kinyitásához nyomja meg az START/PAUSE gombot – ha az AJTÓZÁR szimbólum  kialudt, kinyithatja az ajtót. A mosásnak a megszakítás időpontjától való folytatásához nyomja meg ismét az START/PAUSE gombot.
- A PROGRAM VÉGE.** Ezt a kijelzőn megjelenő “END” felirat jelzi. Ha az AJTÓZÁR  szimbólum kialszik, ki lehet nyitni az ajtót. Kapcsolja ki a készüléket, nyissa ki az ajtót és szedje ki a mosott ruhákat, és kapcsolja ki a készüléket.

! Az elindított ciklus törléséhez hosszan nyomja meg a  gombot. A ciklus megszakad és a készülék kikapcsol.

## Programtáblázat

Programok	Szimbólum Programleírás	Max. hőm (°C)	Max. sebesség (ford./perc)	Szárítás	Mosószeresek és adalékok				Max. töltet (kg)	Programidő	
					Előmosás	Mosás	Fehérlítőszer	Öblítő			
<b>CLEAN Plus</b>											
1	Folteltávolítás	40°	1400	●	-	●	-	●	5	A mosási programok mosási ideje leolvasható a kijelzőről.	
2	Folteltávolítás Gyors	40°	1200	●	-	●	-	●	4,5		
3	Fehér Pamut	60°	1400	●	-	●	-	●	5		
4	<b>NORMÁL PAMUT 60° (1):</b> erősen szennyezett fehér és magasabb hőmérsékleten mosható színes ruhák.	60°	1400	●	-	●	●	●	8		
4	<b>NORMÁL PAMUT (+ Előmosás):</b> erősen szennyezett fehér ruhák.	90°	1400	●	●	●	-	●	8		
5	<b>NORMÁL PAMUT 40° (2):</b> erősen szennyezett kényes fehér és színes ruhák.	40°	1400	●	-	●	●	●	8		
6	<b>Műszálás:</b> erősen szennyezett, magasabb hőmérsékleten mosható színes ruhák.	60°	800	●	-	●	●	●	4		
<b>SPECIALS</b>											
7	<b>Antiallergiás</b>	60°	1400	●	-	●	●	●	5		
8	<b>Gyapjú:</b> gyapjú, kasmír stb. ruhaneműk mosásához.	40°	800	●	-	●	-	●	2		
9	<b>Kényes</b>	30°	0	●	-	●	-	●	1		
10	<b>Gyorsmosás 30':</b> az erősen szennyezett ruhadarabok gyors átöblítésére (nem javasolt gyapjú, selyem és kézzel mosandó ruhaneműkhöz).	30°	800	-	-	●	-	●	3,5		
11	<b>Mosás és Szárítás 45'</b>	30°	1400	●	-	●	-	●	1		
<b>DRYING</b>											
12	<b>Pamut</b>	-	-	●	-	-	-	-	6		
13	<b>Műszálás</b>	-	-	●	-	-	-	-	4		
14	<b>Gyapjú</b>	-	-	●	-	-	-	-	2		
<b>Részleges</b>											
	<b>Öblítés</b>	-	1400	●	-	-	-	●	8		
	<b>Centrifugálás + Ürités</b>	-	1400	●	-	-	-	-	8		
	<b>Csak ürités *</b>	-	OFF	-	-	-	-	-	8		

\* Az program kiválasztásakor és a centrifuga kizárásakor a gép csak az üritést végzi el.

A kijelzőn megjelenő vagy a kézikönyben feltüntetett ciklusidők szokásos körülmények alapján becsült értékek. A tényleges időt számos tényező befolyásolhatja – pl. a bemeneti víznyomás, a környezeti hőmérséklet, a mosószer mennyisége, a ruhatöltet mennyisége és típusa, a ruhatöltet kiegyensúlyozása, a kiválasztott további opciók.

A vizsgálószervek számára:

- 1) EN 50229 szabvány szerinti vezérlőprogramok: állítsa be a 4-es programot 60 °C-ra.
- 2) Hosszú pamut program: állítsa be a 5-es programot 40 °C-ra.

## Mosási opciók

! Ha a kiválasztott opció a beállított programmal nem fér össze, a lámpa villogni kezd, és az opció nem lesz bekapcsolva.

! Ha a kiválasztott Aopció egy korábban beállított programmal nem fér össze, az elsőként kiválasztott funkció lámpája villogni kezd, és csak a második funkció lesz bekapcsolva, az ennek gombjához tartozó lámpa kigyullad.

### Eco

Ezen opció alkalmazásával nő az öblítés, valamint a végső mosószer-eltávolítás hatékonysága. Használata a különösen érzékeny bőrű embereknél ajánlott.

A szárítási opció kiválasztásával a mosás végén automatikusan elindul egy szárítási program, mely az optimális levegőhőmérséklet és ciklus-időtartam kombinációnak hála energiatakarékos.

! A 4-es és 5-ös programoknál lehet aktiválni

### Késleltetett indítás

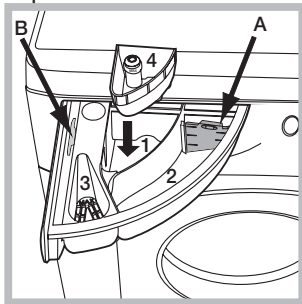
A kiválasztott program késleltetett indításához nyomogassa a megfelelő gombot addig, míg a késleltetés kívánt értékét el nem éri. Amennyiben ez az opció be van kapcsolva, a vonatkozó jelzőlámpa világít. A késleltetett indítás törléséhez nyomogassa a gombot mindaddig, míg a kijelzőn meg nem jelenik az „OFF” felirat.

# Mosószerek és mosandók

HU

## Mosószerek-adagoló fiók

A mosás eredményessége függ a mosószerek helyes adagolásától is: ha túl sokat adagol belőle, a mosás nem lesz hatékonyabb, de hozzájárul ahhoz, hogy lerakódás képződjön a mosógépben, valamint a környezetet is jobban szennyezi. **! Ne használjon kézi mosószert, mert túlzottan sok hab képződik.**



Húzza ki a mosószerek-adagoló fiókot, és a következők szerint tegye bele a mosószert, illetve az adalékot.

### 1-es rekesz: Mosószerek előmosáshoz (por)

A mosószerek betöltése előtt győződjön meg arról, hogy a 4-es berakható rekesz nincs ebben a rekeszben.

### 2-es rekesz: Mosószerek mosáshoz (por vagy folyadék)

Ha folyékony mosószert használ, a megfelelő adagolás érdekében tanácsos az **A** elválasztólapot használni. Ha mosóport használ, tegye az elválasztólapot a **B** térbe.

### 3-as rekesz: Adalékok (öblítők stb.)

Az öblítő ne érjen a rács fölé.

### 4-es berakható rekesz: Fehéritőszerek

## A mosandó ruhák előkészítése

- Osztályozza a mosandókat a következők szerint:
  - Anyag típusa / címkén lévő szimbólum
  - Színek. Válogassa külön a színes és fehér ruhákat.
- Űrítse ki a zsebeket, és vizsgálja meg a gombokat.
- Ne lépje túl a mosandók száraz súlyára vonatkozóan megadott értékeket: lásd *“Programtáblázat”*.

## Milyen nehezek a mosandó ruhák?

- 1 lepedő: 400–500 g
- 1 párnahuzat: 150–200 g
- 1 asztalterítő: 400–500 g
- 1 fürdőköpeny: 900–1200 g
- 1 törölköző: 150–250 g

## Különleges programok

**Folteltávolítás:** a program **1** az ellenálló színnel rendelkező, erősen szennyezett ruhadarabok mosására szolgál. A program a normálnál jobb (A osztályú) mosóhatást biztosít. Ne mosson együtt különböző színű ruhadarabokat. Folyékony mosószert használatát javasoljuk. Makacs szennyeződések esetén tanácsos különleges adalékkal előkezelni a szövetet.

A szárítási opció kiválasztásával a mosás végén automatikusan elindul egy szárítási program, mintha a szabad levegőn szárítanánk a ruhadarabokat, azzal az előnnyel, hogy a szárítás nem segíti elő a napsugárzás okozta sárgulást, és elkerüli a szürkülést, melyet a levegőben lévő lehetséges por vált ki. Csak a szárítási fokozatokat lehet beállítani. Az „A2” szárítási szint használata javasolt.

**Folteltávolítás Gyors:** Az programot a legmakacsabb mindennapi foltokkal szennyezett ruhadarabok egy óra alatti mosására tervezték. Alkalmos kevertszálú színes ruhadarabok mosására és maximálisan kíméletes tisztítást biztosít.

A szárítási opció kiválasztásával a mosás végén automatikusan elindul egy szárítási program, mintha a szabad levegőn szárítanánk a ruhadarabokat, azzal az előnnyel, hogy a szárítás nem segíti elő a napsugárzás okozta sárgulást, és elkerüli a szürkülést, melyet a levegőben lévő lehetséges por vált ki. Csak a szárítási

fokozatokat lehet beállítani. Az „A2” szárítási szint használata javasolt.

**Fehér Pamut:** ezt a ciklust **3** fehér anyagok mosásához használja. A program a fehér szín fényességének megtartására lett kifejlesztve. A jobb mosási eredmény érdekében mosóport használatát javasoljuk.

A szárítási opció kiválasztásával a mosás végén automatikusan elindul egy szárítási program, mintha a szabad levegőn szárítanánk a ruhadarabokat, azzal az előnnyel, hogy a szárítás nem segíti elő a napsugárzás okozta sárgulást, és elkerüli a szürkülést, melyet a levegőben lévő lehetséges por vált ki. Csak a szárítási fokozatokat lehet beállítani.

**Antiallergiás:** használja a **7** programot, hogy az elsődleges allergének (pl. pollenek, atkák, macska- és kutyaszőr) el legyenek távolítva.

**Gyapjú:** ennek a mosógépnek a *“gyapjú”* mosási ciklusát a Woolmark Company engedélyezte *“kézzel mosható”* gyapjú ruhaneműk mosásához, amennyiben a mosást a ruhanemű címkéjén feltüntetett és a mosógép gyártója által előírt útmutatásoknak megfelelően hajtja végre. (M1127)



**Kényes:** a nagyon kényes – pl. flitterekkel, csillogókkal ellátott – anyagok mosásához használja a **9** programot. A **selyem** ruhadarabokhoz és **függönyökhöz** válassza a **9** ciklust, és állítsa a [ ] opcióban a szintet **“Delicate”** értékre.

A mosás előtt tanácsos kifordítani a ruhadarabokat, és a kisebb holmikát a kényes anyagok mosására szolgáló megfelelő mosózsákba rakni.

A jobb mosási eredmény érdekében kényes anyagokhoz való folyékony mosószert használatát javasoljuk.

Ha a szárítási opció csak az időtartam alapján kerül kiválasztásra, a mosás végén egy különlegesen kíméletes szárítási ciklus indul el gyengéd mozgattal és megfelelően ellenőrzött levegősugárral.

A javasolt időtartamok:

- 1 kg műszálás --> 150 perc
- 1 kg műszálás és pamut --> 180 perc
- 1 kg pamut --> 180 perc

A szárítási fokozat a szárítandó mennyiségtől és a ruhanemű alapanyagától függ.

**Mosás és szárítás 45':** az enyhén szennyezett (pamut és műszálás) ruhaneműk gyors mosásához és szárításához használja az **11** programot. E ciklussal akár 1 kg mosandó ruhát is ki lehet mosni mindössze 45 perc alatt. A legjobb eredmény elérése érdekében használjon folyékony mosószert. A mandzsettákat, gallérokat és foltokat kezelje elő.

## A bepakolt ruhák kiegyensúlyozására szolgáló rendszer

A túlzott zajhatás megelőzésére, valamint a mosandók egyenletes eloszlása érdekében a dob a centrifuga fázis előtt a mosási centrifugasebességnél kicsit nagyobb sebességre kapcsol. Amennyiben a töltet kiegyensúlyozására irányuló próbálkozások nem vezetnek eredményre, a készülék az elméleti centrifugasebességnél lassabb centrifugálásra kapcsol. Jelentős kiegyensúlyozatlanság esetén a mosógép, centrifugálás előtt megpróbálja a töltetet megfelelően elosztani. A töltet megfelelő eloszlásának biztosítása érdekében ajánlatos a nagy ruhaneműket a kicsikkel összekeverni.

Előfordulhat, hogy a mosógép nem működik. Mielőtt felhívna a szervizt (lásd "Szerviz"), ellenőrizze, hogy nem olyan problémáról van-e szó, amely a következő lista segítségével egyszerűen megoldható.

## Rendellenességek:

**A mosógép nem kapcsol be.**

## Lehetséges okok / megoldás:

- A hálózati csatlakozódugó nincs bedugva az aljzatba, vagy nem eléggé ahhoz, hogy jól érintkezzen.
- Nincs áram a lakásban.

**A mosási ciklus nem indul el.**

- A mosógép ajtaja nincs jól bezárva.
- Nem nyomta meg a ON/OFF gombot.
- Nem nyomta meg az START/PAUSE gombot.
- A vízcsap nincs kinyitva.
- Az indítás időjelzőjén késletetés lett beállítva.

**A mosógép nem vesz fel vizet  
(A kijelzőn a "H2O" felirat villog).**

- A vízbevezető cső nincs csatlakoztatva a csaphoz.
- A cső meg van törve.
- A vízcsap nincs kinyitva.
- A lakásban nincs víz.
- Nincs elegendő nyomás.
- Nem nyomta meg az START/PAUSE gombot.

**A mosógép folytonosan szívja és lereszti a vizet.**

- A leeresztőcső nem a padlószinttől 65 és 100 cm közötti magasságban van felszerelve (lásd „Üzembe helyezés”).
- A leeresztőcső vége vízbe merül (lásd „Üzembe helyezés”).
- A fali szifonnak nincs szellőzése.

Ha ezen vizsgálatok után a probléma nem oldódik meg, zárja el a vízcsapot, kapcsolja ki a mosógépet, és hívja ki a szervizszolgálatot. Ha a lakás egy épület legfelsőbb emeleteinek egyikén található, lehetséges, hogy a csatornaszellőző eltömődésének jelensége (szivornyahatás) lépett fel, ezért a mosógép folytonosan szívja és lereszti a vizet. E kellemetlenség elkerülésére a kereskedelmi forgalomban rendelkezésre állnak csatornaszellőző-szelepek.

**A mosógép nem üríti le a vizet, vagy nem centrifugál.**

- A program nem ereszti le a vizet: némelyik programnál kézzel kell elindítani.
- A leeresztőcső meg van törve (lásd "Üzembe helyezés").
- A lefolyó el van dugulva.

**A mosógép nagyon rázkódik a centrifugálás alatt.**

- Az üzembe helyezéskor a forgódob rögzítése nem lett eltávolítva (lásd "Üzembe helyezés").
- A készülék nincs vízszintben (lásd "Üzembe helyezés").
- A mosógép bútorok és falak közé van szorítva (lásd "Üzembe helyezés").

**A mosógépből elfolyik a víz.**

- A vízbevezető cső nincs jól felcsavarva (lásd "Üzembe helyezés").
- A mosószer-adagoló fiók eltömődött (tisztításához lásd "Karbantartás és ápolás").
- A leeresztőcső nincs szorosan rögzítve (lásd "Üzembe helyezés").

**Az Opció lámpák és az START/PAUSE lámpa gyorsan villog, a kijelző pedig a hiba kódját mutatja (pl.: F-01, F-...).**

- Kapcsolja ki a készüléket, és húzza ki a dugót az aljzatból, várjon körülbelül 1 percet, majd indítsa újra!  
Ha a hiba továbbra is fennáll, forduljon a szervizhez!

**Sok hab képződik.**

- A mosószer nem mosógépekhez való (kell, hogy szerepeljen rajta, hogy "gépi", "kézi vagy gépi mosáshoz", vagy hasonló).
- Túl sok mosószert használt.

**A Mosógép nem szárít.**

- A hálózati csatlakozódugó nincs bedugva az aljzatba, vagy nem eléggé ahhoz, hogy jól érintkezzen.
- Nincs áram a lakásban.
- Az ajtó nincs jól becsukva.
- Az indítás késletetése van beállítva.
- A SZÁRÍTÁS a OFF helyzetben van.

**Mielőtt a szervizhez fordulna, tegye a következőket:**

- Győződjön meg arról, hogy a hibát nem tudja saját maga is elhárítani (lásd *“Rendellenességek és elhárításuk”*);
- Indítsa el újból a programot, hogy lássa, elhárította-e a hibát;
- Amennyiben nem sikerült, forduljon szakszervizhez.


! Soha ne forduljon nem engedéllyel nem rendelkező szerelőhöz.

**Közölje:**

- A meghibásodás jellege;
- A mosógép típusa (Mod.);
- Gyártási szám (S/N).

Ezek az adatok a mosógép hátoldalán, illetve az elülső oldalon az ajtó belsején elhelyezett adattáblán található.



!  Dieses Symbol erinnert Sie daran, das vorliegende Handbuch zu lesen.

DE

DE

Deutsch

FDG 8640

## INHALTSVERZEICHNIS

### **Installation, 50-51**

Auspacken und Aufstellen  
Wasser- und Elektroanschlüsse  
Erster Waschgang  
Technische Daten

### **Reinigung und Pflege, 52**

Abstellen der Wasser- und Stromversorgung  
Reinigung des Gerätes  
Reinigung der Waschmittelschublade  
Pflege der Gerätetür und Trommel  
Reinigung der Pumpe  
Kontrolle des Wasserzulaufschlauchs

### **Vorsichtsmaßnahmen und Hinweise, 53**

Allgemeine Sicherheit  
Entsorgung  
Manuelles Öffnen der Gerätetür

### **Beschreibung des Wäschetrockners, 54-55**

Bedienblende  
Display

### **Durchführung eines Wasch- oder Trockenzyklus, 56**

### **Programme und Zusatzfunktionen, 57**

Programmtabelle  
Zusatzfunktionen

### **Waschmittel und Wäsche, 58**

Waschmittelschublade  
Vorsortieren der Wäsche  
Sonderprogramme  
System zur Auswuchtung der Wäscheladung

### **Störungen und Abhilfe, 59**

### **Kundendienst, 60**

 **Hotpoint**  
ARISTON

# Aufstellung

DE

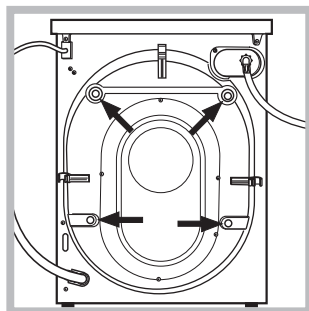
! Es ist äußerst wichtig, diese Bedienungsanleitung sorgfältig aufzubewahren, um sie jederzeit zu Rate ziehen zu können. Sorgen Sie dafür, dass sie im Falle eines Umzugs oder einer Übergabe an einen anderen Benutzer das Gerät stets begleitet, damit auch der neue Inhaber die Möglichkeit hat, diese zu Rate zu ziehen.

! Lesen Sie bitte folgende Hinweise aufmerksam durch: sie liefern wichtige Informationen hinsichtlich der Installation, des Gebrauchs und der Sicherheit.

## Auspacken und Aufstellen

### Auspacken

1. Gerät auspacken.
2. Sicherstellen, dass der Wäschetrockner keine Transportschäden erlitten hat. Schließen Sie das Gerät im Falle einer Beschädigung bitte nicht an und kontaktieren Sie Ihren Händler.



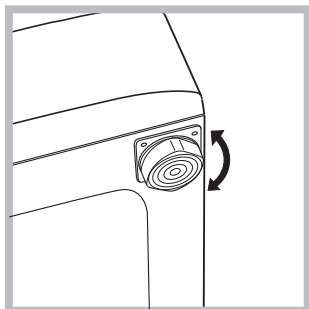
3. Die 4 Transport-schutzschrauben ausschrauben und das an der Rückwand befindliche Gummiteil und das entsprechende Abstandsstück abnehmen (siehe Abbildung).

4. Die Löcher mittels der mitgelieferten Kunststoffstöpsel schließen.
5. Sämtliche Teile aufbewahren: Sollte der Wäschetrockner erneut transportiert werden müssen, müssen diese Teile wieder eingesetzt werden.

! Verpackungsmaterial ist kein Spielzeug für Kinder.

### Nivellierung

1. Der Wäschetrockner muss auf einem ebenen, festen Untergrund aufgestellt werden, ohne diesen an Wände, Möbelteile oder ähnliches anzulehnen.



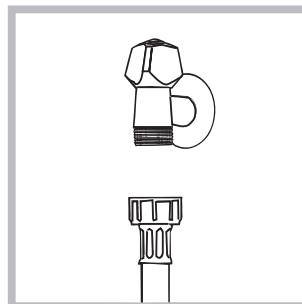
2. Sollte der Boden nicht perfekt eben sein, müssen die Unebenheiten durch An- bzw. Ausdrehen der vorderen Stellfüße ausgeglichen werden (siehe Abbildung), der auf der Arbeitsfläche zu ermittelnde Neigungsgrad darf 2°

nicht überschreiten.

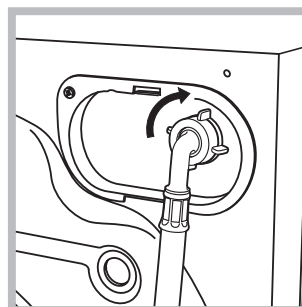
Eine präzise Nivellierung verleiht dem Gerät die erforderliche Stabilität, durch die Vibrationen, Betriebsgeräusche und ein Verrücken des Gerätes vermieden werden. Bei Teppichböden müssen die Stellfüße so reguliert werden, dass ein ausreichender Freiraum zur Belüftung unter dem Wäschetrockner gewährleistet ist.

## Wasser- und Elektroanschlüsse

### Anschluss des Zulaufschlauches



1. Schrauben Sie den Wasserschlauch an einen Kaltwasserhahn mit  $\frac{3}{4}$ -Zoll-Gewindeanschluss an (siehe Abbildung). Lassen Sie das Wasser vor dem Anschluss so lange auslaufen, bis klares Wasser austritt.



2. Das andere Ende des Schlauches an den oben rechts am Rückteil des Wäschetrockners befindlichen Wasseranschluss anschließen (siehe Abbildung).

3. Der Schlauch darf nicht eingeklemmt oder abgeknickt werden.

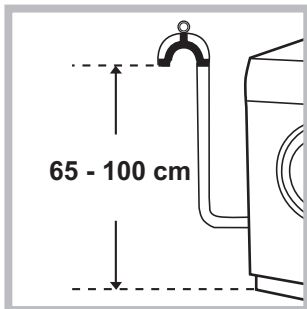
! Der Wasserdruck muss innerhalb der Werte liegen, die in der Tabelle der Technischen Daten angegeben sind (siehe nebenstehende Seite).

! Sollte der Zulaufschlauch nicht lang genug sein, dann wenden Sie sich bitte an einen Fachhändler oder an einen autorisierten Fachmann.

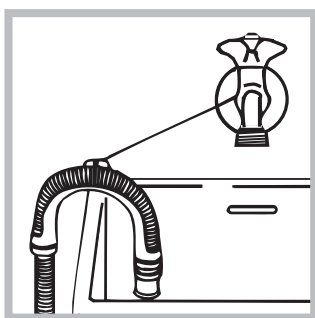
! Verwenden Sie niemals bereits gebrauchte Schläuche.

! Verwenden Sie die Schläuche, die mit dem Gerät geliefert wurden.

## Anschluss des Ablaufschlauches



Schließen Sie den Ablaufschlauch, ohne ihn dabei zu knicken, an eine Ablaufleitung, oder an einen in der Wand, in einer Höhe von 65cm bis 100cm an;



oder hängen Sie diesen in ein Becken oder eine Wanne ein; befestigen Sie den Schlauch in diesem Falle mittels der mitgelieferten Führung an dem Wasserhahn (siehe *Abbildung*). Das freie Ablaufschlauchende

darf nicht unter Wasser bleiben.

! Verlängerungsschläuche sollten nicht eingesetzt werden, sollte dies jedoch absolut unvermeidlich sein, muss die Verlängerung denselben Durchmesser des Originalschlauchs aufweisen und darf eine Länge von 150 cm nicht überschreiten.

## Elektroanschluss

Vor Einfügen des Netzsteckers in die Steckdose ist sicherzustellen, dass:

- die Steckdose über eine normgerechte Erdung verfügt;
- die Steckdose die in den Technischen Daten angegebenen Höchstlast des Gerätes trägt (siehe *nebenstehende Tabelle*);
- die Stromspannung den in den Technischen Daten angegebenen Werten entspricht (siehe *nebenstehende Tabelle*);
- die Steckdose mit dem Netzstecker des Wäschetrockners kompatibel ist. Andernfalls muss der Netzstecker (oder die Steckdose) ersetzt werden.

! Der Wäschetrockner darf nicht im Freien installiert werden, auch nicht, wenn es sich um einen geschützten Platz handelt. Es ist gefährlich, das Gerät Gewittern und Unwettern auszusetzen.

! Die Steckdose muß jederzeit zugänglich sein.

! Verwenden Sie bitte keine Verlängerungen oder Mehrfachstecker.

! Das Netzkabel darf nicht gebogen bzw. eingeklemmt werden.

! Das Versorgungskabel darf nur durch autorisierte Fachkräfte ausgetauscht werden. Achtung! Der Hersteller übernimmt keinerlei Haftung, sollten diese Vorschriften nicht genau beachtet werden.

## Erster Waschgang

Lassen Sie nach der Installation bzw. vor erstmaligem Gebrauch erst einen Waschgang (mit Waschmittel) ohne Wäsche durchlaufen. Stellen Sie hierzu das Waschprogramm auto reinigen (siehe *„Reinigung des Gerätes“*).

### Technische Daten

<b>Modell</b>	FDG 8640
<b>Abmessungen</b>	Breite 59,5 cm Höhe 85 cm Tiefe 60,5 cm
<b>Fassungsvermögen</b>	1 bis 8 kg für Waschzyklus 1 bis 6 kg für Trockenzyklus
<b>Elektroanschlüsse</b>	siehe das am Gerät befindliche Typenschild
<b>Wasseranschlüsse</b>	Höchstdruck 1 MPa (10 bar) Mindestdruck 0,05 MPa (0,5 bar) Trommelvolumen 62 Liter
<b>Schleudertouren</b>	bis zu 1400 U/min.
<b>Prüfprogramme gemäß EN 50229</b>	<b>Waschen:</b> programm 4; Temperatur 60°C; bei einer Lademenge von 8 kg. <b>Trocken:</b> die kleinere Ladung (2kg) muss mit der Trockenstufe „A1“ (Bügeln) getrocknet werden und soll aus 2 Bettlaken, 1 Kissenbezug und 1 Handtuch bestehen; die Ladung mit der restlichen Wäsche muss mit der Trockenstufe „A4“ (Extra) getrocknet werden.
 	Dieses Gerät entspricht den folgenden EG-Richtlinien: - 2004/108/CE (elektromagnetische Verträglichkeit) - 2012/19/EU - 2006/95/CE (Niederspannung)

# Reinigung und Pflege

DE

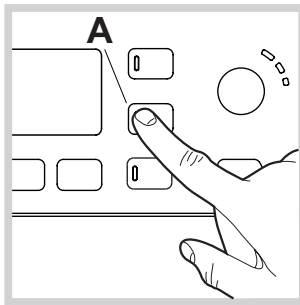
## Abstellen der Wasser- und Stromversorgung

- Drehen Sie den Wasserhahn nach jedem Waschvorgang zu. Hierdurch wird der Verschleiß der Wasseranlage verringert und Wasserlecks vorgebeugt.
- Ziehen Sie den Netzstecker aus der Steckdose, bevor Sie Ihren Waschtrockner reinigen.

## Reinigung des Gerätes

- Die Gehäuseteile und die Teile aus Gummi können mit einem mit warmer Spülmittellauge angefeuchteten Tuch gereinigt werden. Vermeiden Sie Löse- und Scheuermittel.
- Die Waschmaschine verfügt über ein „AUTO REINIGEN“-Programm der inneren Teile, das **gänzlich ohne Wäsche** durchgeführt werden muss.

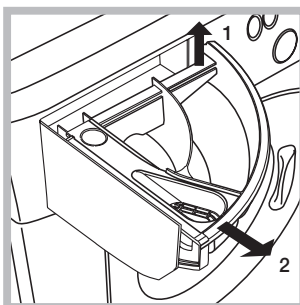
Als Hilfsmittel können bei diesem Waschgang Waschmittel (10 % von der für gering verschmutzte Kleidungsstücke empfohlenen Menge) oder spezifische Zusatzstoffe für die Reinigung von Waschmaschinen verwendet werden. Es wird empfohlen, das Reinigungsprogramm alle 40 Waschgänge durchzuführen.



Das Programm wird durch 5-Sekundenlanges Drücken der Taste **A** (siehe Abbildung) gestartet (siehe abb.). Das Programm startet automatisch und dauert etwa 70 Minuten. Um den Zyklus anzuhalten,

drücken Sie die Taste START/PAUSE.

## Reinigung der Waschmittelschublade



Heben Sie die Schublade leicht an und ziehen Sie sie nach vorne hin heraus (siehe Abbildung). Spülen Sie sie regelmäßig unter fließendem Wasser gründlich aus.

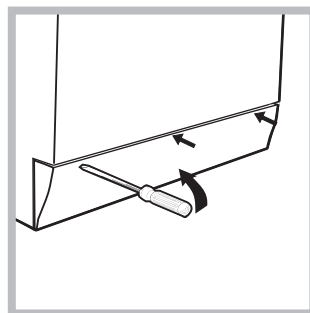
## Pflege der Gerätetür und Trommel

- Lassen Sie die Gerätetür stets leicht offen stehen, um die Bildung unangenehmer Gerüche zu vermeiden.

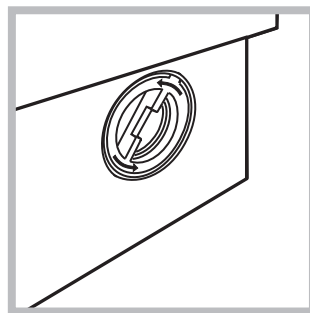
## Reinigung der Pumpe

Ihr Gerät ist mit einer selbstreinigenden Pumpe ausgerüstet, eine Wartung ist demnach nicht erforderlich. Es könnte jedoch vorkommen, dass kleine Gegenstände (Münzen, Knöpfe) in die zum Schutz der Pumpe dienende Vorkammer (befindlich unter der Pumpe) fallen. **! Vergewissern Sie sich, dass der Waschgang abgeschlossen ist und ziehen Sie den Netzstecker heraus.**

Zugang zur Vorkammer:



1. Nehmen Sie die Abdeckung (befindlich an der Gerätefront) mit Hilfe eines Schraubenziehers ab (siehe Abbildung);



2. Drehen Sie den Deckel gegen den Uhrzeigersinn ab (siehe Abbildung): es ist ganz normal, wenn etwas Wasser austritt;

3. Reinigen Sie das Innere gründlich;  
4. Schrauben Sie den Deckel wieder auf;

5. Bringen Sie die Abdeckung wieder an. Stellen Sie hierbei sicher, dass die Haken in die Schlitze eingreifen, bevor Sie die Abdeckung fest andrücken.

## Kontrolle des Wasserzulaufschlauchs

Kontrollieren Sie den Zulaufschlauch mindestens einmal im Jahr. Weist er Risse bzw. Brüche auf, muss er ausgetauscht werden. Der starke Druck während des Waschprogramms könnte zu plötzlichem Platzen führen.

**! Verwenden Sie niemals bereits gebrauchte Schläuche.**

! Der Wäschetrockner wurde nach den strengsten internationalen Sicherheitsvorschriften entworfen und gebaut. Nachstehende Hinweise werden aus Sicherheitsgründen geliefert und sollten aufmerksam gelesen werden.

## Allgemeine Sicherheit

- Dieses Gerät wurde ausschließlich für den Einsatz im privaten Haushalt konzipiert.
  - Dieses Gerät darf von Kindern ab 8 Jahren und von Personen mit eingeschränkten körperlichen, sensorischen oder geistigen Fähigkeiten oder mit unzureichender Erfahrung und Kenntnis verwendet werden, vorausgesetzt, sie werden überwacht oder sie haben eine ausreichende Einweisung in die sichere Nutzung des Geräts erhalten und haben die damit verbundenen Gefahren verstanden. Erlauben Sie Kindern nicht, mit dem Gerät zu spielen. Wartung und Reinigung dürfen nicht von unbeaufsichtigten Kindern ausgeführt werden.
    - Trocknen Sie keine nicht gewaschenen Wäschestücke.
    - Wäschestücke, die mit Substanzen wie Speiseöl, Nagellackentferner, Alkohol, Benzin, Kerosin, Fleckenentfernern, Terpentin, Wachse und Stoffe zum Entfernen von Wachsen verschmutzt sind, müssen in warmen Wasser mit einer größeren Menge Waschmittel gewaschen werden, bevor Sie in den Trockner gegeben werden dürfen.
    - Gegenstände wie Schaumgummi (Latex), Duschhauben, wasserdichte Textilien, Artikel mit einer Gummiseite oder Kleidung oder Kissen mit Latexteilen dürfen nicht in dem Wäschetrockner getrocknet werden.
    - Weichspüler oder ähnliche Produkte müssen gemäß der Anweisungen des Herstellers verwendet werden.
    - Die Endphase eines Trockenzyklus erfolgt ohne Hitze (Abkühlzyklus), damit die Wäsche nicht beschädigt wird.
- ACHTUNG:** Halten Sie den Wäschetrockner nie vor Ablauf des Trockenprogramms an. Nehmen Sie in diesem Fall die Wäsche schnell aus dem Gerät heraus und hängen Sie sie sofort auf, damit sie abkühlen kann.
- Berühren Sie das Gerät nicht, wenn Sie barfuß sind, und auch nicht mit nassen oder feuchten Händen oder Füßen.
  - Ziehen Sie den Netzstecker nicht am Netzkabel aus der Steckdose, sondern nur am Netzstecker selbst.
  - Öffnen Sie die Waschmittelschublade nicht, wenn das Gerät in Betrieb ist.
  - Berühren Sie nicht das Ablaufwasser, es könnte sehr heiß sein.
  - Öffnen Sie die Gerätetür nicht mit Gewalt: Der Sicherheits-Schließmechanismus könnte hierdurch beschädigt werden.
  - Bei etwaigen Störungen versuchen Sie bitte nicht, Innenteile selbst zu reparieren.
  - Halten Sie Kinder stets von dem in Betrieb befindlichen Gerät fern.
  - Während des Waschgangs kann die Gerätetür sehr heiß werden.
  - Muss das Gerät versetzt werden, sollten hierfür zwei oder drei Personen verfügbar sein. Versetzen Sie es niemals allein, das Gerät ist äußerst schwer.
  - Bevor Sie die Wäsche einfüllen, stellen Sie bitte sicher, dass die Wäschetrommel leer ist.
  - Während des Trocknens kann die Gerätetür heiß werden.
  - Trocknen Sie keine Wäsche, die in brennbaren Lösemitteln (wie Trielin) gewaschen wurde.
  - Trocknen Sie weder Schaumgummi noch ähnliche Elastomer bzw. Gummimaterialien.

- Vergewissern Sie sich, dass der Wasserhahn während des Trocknens auf ist.
- Leeren Sie komplett alle Taschen (Feuerzeuge, Streichhölzer, etc.).
- Kinder unter 3 Jahren müssen von dem Wäschetrockner ferngehalten werden, wenn sie nicht ständig beaufsichtigt werden

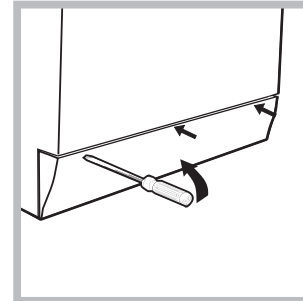
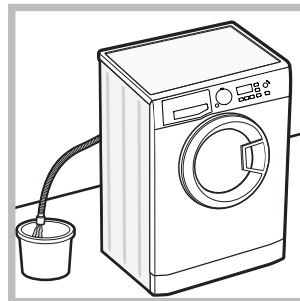
## Entsorgung

- Entsorgung des Verpackungsmaterials: Befolgen Sie die lokalen Vorschriften, Verpackungsmaterial kann wiederverwertet werden.
- Gemäß der Europäischen Richtlinie 2012/19/EU über Elektro- und Elektronik-Altgeräte dürfen Elektrohaushalts-Altgeräte nicht über den herkömmlichen Haushaltsmüllkreislauf entsorgt werden. Altgeräte müssen separat gesammelt werden, um die Wiederverwertung und das Recycling der beinhalteten Materialien zu optimieren und die Einflüsse auf die Umwelt und die Gesundheit zu reduzieren. Das Symbol „durchgestrichene Mülltonne“ auf jedem Produkt erinnert Sie an Ihre Verpflichtung, dass Elektrohaushaltsgeräte gesondert entsorgt werden müssen. Endverbraucher können sich an Abfallämter der Gemeinden wenden, um mehr Informationen über die korrekte Entsorgung ihrer Elektrohaushaltsgeräte zu erhalten.

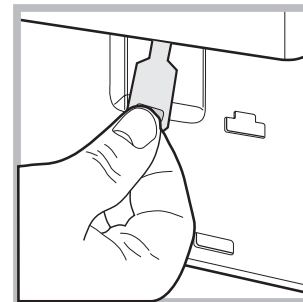
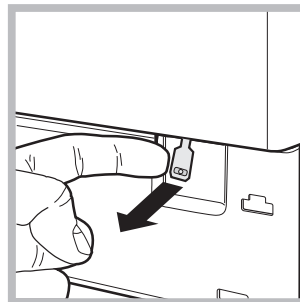
## Manuelles Öffnen der Gerätetür

Sollte die Gerätetür aufgrund eines Stromausfalls nicht geöffnet werden können, gehen Sie wie folgt vor, um die Wäsche entnehmen und somit aufhängen zu können:

1. Ziehen Sie den Netzstecker aus der Steckdose.



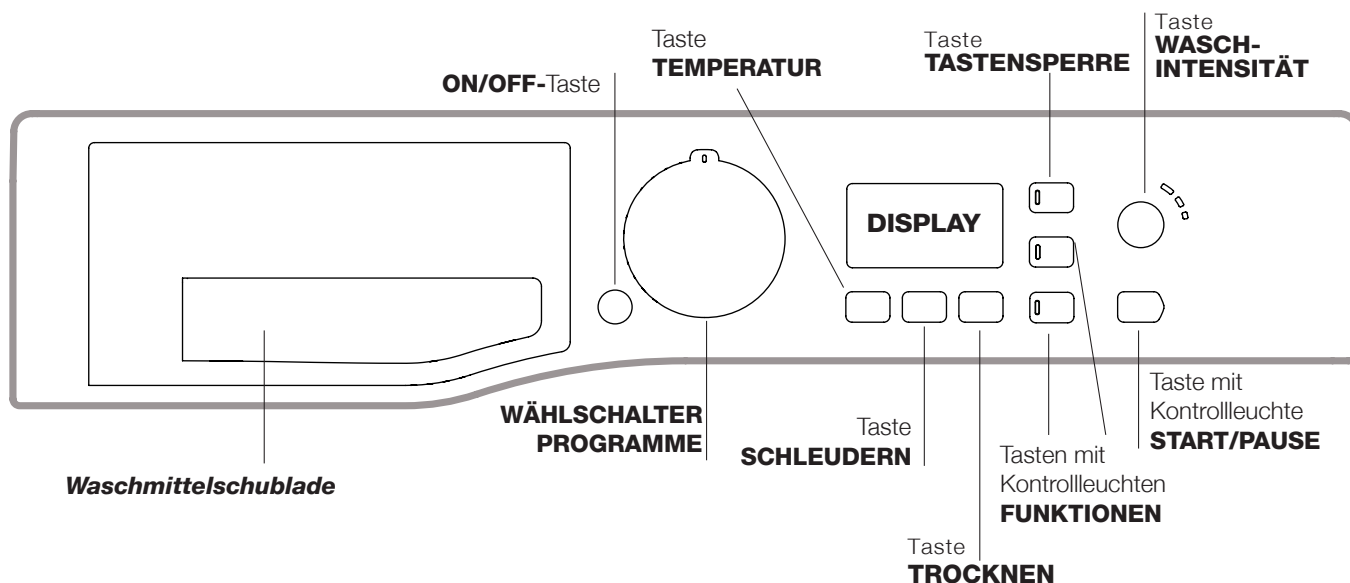
2. Stellen Sie sicher, dass der Wasserstand im Innern des Gerätes die Gerätetür nicht übersteigt, andernfalls lassen Sie das überschüssige Wasser, so wie auf der *Abbildung* veranschaulicht, durch den Ablaufschlauch in einen Eimer ablaufen.
3. Nehmen Sie die Abdeckung (befindlich an der Gerätefront) mit Hilfe eines Schraubenziehers ab (*siehe Abbildung*).




4. Befreien Sie mithilfe der auf der *Abbildung* veranschaulichten Zunge (nach vorne ziehen) die Kunststoff-Spannvorrichtung aus der Arretierung; ziehen Sie letztere dann nach unten und öffnen Sie gleichzeitig die Gerätetür.
5. Bringen Sie die Abdeckung wieder an. Stellen Sie hierbei sicher, dass die Haken in die Schlitze eingreifen, bevor Sie die Abdeckung fest andrücken.

# Beschreibung Ihres Waschtrockneren

## Bedienblende



**Waschmittelschublade:** für Waschmittel und Zusätze (siehe "Waschmittel und Wäsche").


Taste **ON/OFF** : Drücken Sie kurz auf die Taste, um das Gerät ein- bzw. auszuschalten. Die Kontrollleuchte START/PAUSE, die langsam grün blinkt, zeigt an, dass das Gerät eingeschaltet ist. Um den Waschtrockner während eines Waschganges auszuschalten, muss die Taste etwas länger gedrückt werden (ca. 3 Sekunden); ein kurzer oder ein ungewollter Druck bewirkt kein Ausschalten des Gerätes. Das Ausschalten des Gerätes während eines laufenden Waschprogramms löscht den gesamten Waschzyklus.


**WÄHLSCHALTER PROGRAMME:** zur Einstellung des gewünschten Programms (siehe "Programmtabelle").

Tasten und Kontrollleuchten **ZUSATZFUNKTIONEN** Zur Einstellung der verfügbaren Zusatzfunktionen. Die der gewählten Funktion entsprechende Kontrollleuchte bleibt eingeschaltet.


Taste **WASCHINTENSITÄT** : Drücken Sie diese Taste, um die gewünschte Waschintensität zu wählen.

Taste **TEMPERATUR** : Drücken Sie, um die Temperatur herabzusetzen oder auszuschließen; der Wert wird auf dem Display angezeigt.

Taste **SCHLEUDER** : Drücken Sie die Taste, um die Schleudergeschwindigkeit herabzusetzen oder die Schleuder ganz auszuschließen. Der Wert wird auf dem Display angezeigt.

Taste **TROCKNEN** : Taste drücken, wenn Sie die Trockenfunktion ändern oder ausschalten möchten; die ausgewählte Trocknungsstufe oder -zeit wird auf dem Display angezeigt.

Taste mit Kontrollleuchte **START/PAUSE**: Sobald die grüne Kontrollleuchte auf langsames Blinklicht schaltet, drücken Sie die Taste, um den Waschgang zu starten. Nach Ingangsetzung des Programms schaltet die Kontrollleuchte auf Dauerlicht. Um den Waschgang zu unterbrechen, drücken Sie erneut die Taste; die Kontrollleuchte schaltet auf orangefarbenes Blinklicht. Wenn das Symbol  nicht leuchtet, kann die Gerätetür geöffnet werden. Um das Programm an der Stelle, an der es unterbrochen wurde, wieder in Gang zu setzen, drücken Sie die Taste erneut.

Taste **TASTENSPERRE**: Zur **Aktivierung** der Sperre der Bedienblende halten Sie die Taste ca. 2 Sekunden lang gedrückt. Das eingeschaltete Symbol  zeigt an, dass die Bedienblende gesperrt ist. Auf diese Weise wird verhindert, dass ein Programm aus Versehen geändert wird, vor allem (mit Ausnahme der Taste ON/OFF), wenn kleine Kinder im Hause sind. Zur **Deaktivierung** der Sperre der Bedienblende halten Sie die Taste ca. 2 Sekunden lang gedrückt.

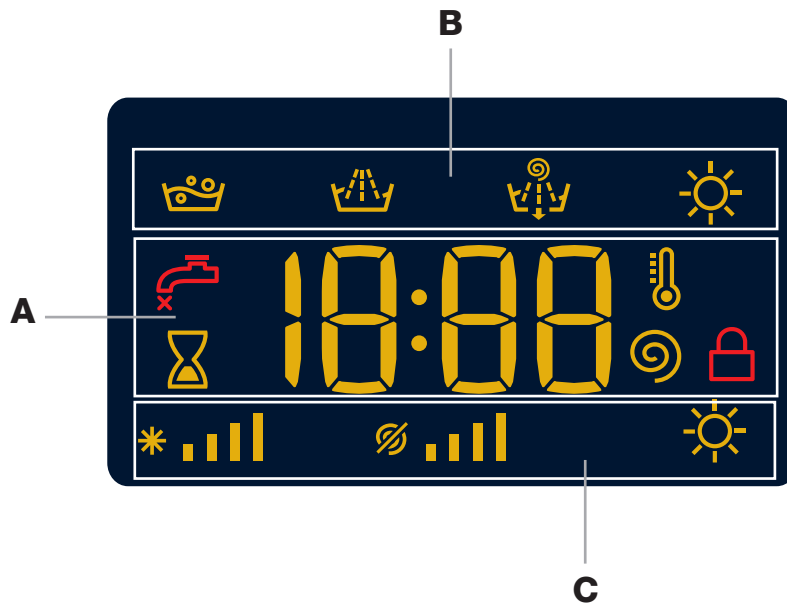
### Funktion Standby

Zur Erfüllung der neuen Richtlinien zum Energieverbrauch ist diese Waschmaschine mit einem automatischen Ausschaltssystem (Standby) ausgestattet, das nach 30 Minuten des Nichtgebrauchs in Funktion tritt. Drücken Sie kurz die Taste ON/OFF und warten Sie, bis sich die Maschine wieder einschaltet.

Verbrauch in Off-Betrieb: 0,5 W

Verbrauch in Left-On: 8 W





## Display






Das Display dient nicht nur zur Programmierung des Gerätes, sondern liefert auch zahlreiche Informationen.

Im Abschnitt **A** werden die Dauer der verschiedenen verfügbaren Programme sowie die Restzeit nach Zyklusstart angezeigt (Das Display zeigt die maximale Dauer des ausgewählten Zyklus. Diese Angabe kann nach einigen Minuten etwas sinken, da die tatsächliche Dauer des Programms von der Wäschemenge und den ausgewählten Einstellungen abhängt); wurde eine STARTZEITVORWAHL eingestellt, dann wird die bis zum Start des ausgewählten Programms verbleibende Zeit angezeigt. Darüber hinaus können mit Hilfe der entsprechenden Taste die Maximalwerte der Temperatur, der Schleuderdrehzahl oder der Trocknungsdauer des eingestellten Programms oder die zuletzt eingestellten Werte angezeigt werden, falls sie mit dem gewählten Programm vereinbar sind.


Im Abschnitt **B** werden die für den ausgewählten Zyklus vorgesehenen "Waschphasen" angezeigt. Bei laufenden Programmen wird die jeweilige Programmphase angezeigt.

-  Hauptwäsche
-  Spülen
-  Schleudern/Abpumpen
-  Trocknen

Im Abschnitt **C** sind folgende Symbole angeordnet (von links nach rechts): "Temperatur", "Schleuder" und "Trocknen": Die Balkenanzeigen "Temperatur" \*  zeigen den maximal auswählbaren Temperaturwert für den eingestellten Zyklus. Die Balkenanzeigen "Schleuder"  zeigen den maximal auswählbaren Schleudewert für den eingestellten Zyklus. Das Symbol  leuchtet während der Einstellung der Trockenfunktion auf.

### Kontrollleuchte **GERÄTETÜR GESPERRT**

Das beleuchtete Symbol zeigt an, dass die Gerätetür gesperrt ist. Zur Vermeidung einer evtl. Beschädigung warten Sie bitten, bis das Symbol erlischt, bevor Sie die Gerätetür öffnen.



Um während eines laufenden Programms die Gerätetür zu öffnen, drücken Sie die Taste START/PAUSE; wenn das Symbol GERÄTETÜR GESPERRT  erloschen ist, kann die Gerätetür geöffnet werden.

# Durchführung eines Wasch- oder Trockenzyklus

DE

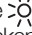
1. **EINSCHALTEN DES GERÄTES.** Drücken Sie die Taste ; die Kontrollleuchte START/PAUSE blinkt langsam grün.
2. **EINFÜLLEN DER WÄSCHE.** Öffnen Sie die Gerätetür. Füllen Sie die Wäsche ein. Achten Sie hierbei bitte darauf, die in der Programmtabelle (auf der nächsten Seite) angegebene Wäschemenge nicht zu überschreiten.
3. **DOSIERUNG DES WASCHMITTELS.** Ziehen Sie die Waschmittelschublade heraus und füllen Sie das Waschmittel in die entsprechenden Kammern (siehe "Waschmittel und Wäsche").
4. **SCHLIESSEN SIE DIE GERÄTETÜR.**
5. **WAHL DES WASCHPROGRAMMS.** Stellen Sie mit dem Wählschalter PROGRAMME das gewünschte Programm ein; die entsprechende Temperatur und Schleudergeschwindigkeit werden automatisch zugeschaltet, können jedoch geändert werden. Auf dem Display wird die Programmdauer angezeigt.
6. **INDIVIDUALISIERUNG DES WASCHGANGS.** Verwenden Sie hierzu die entsprechenden Tasten:

## Änderung der Temperatur und/oder der Schleuder.

Das Gerät zeigt automatisch die für das eingestellte Programm vorgesehene maximale Temperatur sowie die maximale Schleudergeschwindigkeit. Durch Drücken der Taste  kann die Temperatur Schritt für Schritt herabgesetzt werden, bis auf Kaltwäsche "OFF". Durch Drücken der Taste  kann die Schleudergeschwindigkeit allmählich herabgesetzt werden, bis auf völliges Ausschließen der Schleuder "OFF". Ein weiterer Druck auf die Tasten bringt die Werte wieder auf die maximalen Werte zurück.

! Ausnahme: Wird das Waschprogramm 4 eingestellt, kann die Temperatur bis auf 90°C (+ Vorwäsche) erhöht werden.

## Trocknungsprogramm einstellen

Beim ersten Drücken der Taste  wählt die Maschine automatisch die maximale Trockenstufe, die mit dem ausgewählten Programm kompatibel ist. Weiteres Drücken der Taste senkt die Trockenstufe und dann die Trockenzeit bis zum völligen Ausschluss "OFF". Ein weiterer Druck auf die Tasten setzt die Einstellungen wieder auf die maximalen Werte.

Es kann zwischen zwei Trocken-Möglichkeiten gewählt werden:

**A** - Nach Feuchtigkeitsgrad der getrockneten Wäsche:

**Bügeln "A1"**: noch leicht feuchte, einfach zu bügelnde Wäscheteile.

**Aufhängen "A2"**: ideal für Kleidungsstücke, die nicht komplett trocken zu sein brauchen.


**Falten "A3"**: geeignet für Kleidungsstücke, die ohne Bügeln in den Schrank geräumt werden können.

**Extra "A4"**: geeignet für Kleidungsstücke, die komplett trocken sein müssen wie Frotteehandtücher und Bademäntel.

**B** - Nach Zeit: von **30'** bis **180'**.

Bei Überschreitung der max. Füllmenge der Wäscheladung für waschen und trocknen in einem Programmablauf, aktivieren Sie zuerst das Waschprogramm. Nach Ablauf des Waschprogramms teilen Sie die Waschladung so auf, dass nur die max. mögliche Füllmenge zum Trocknen in der Trommel verbleibt. Befolgen Sie daraufhin die Anleitungen des Abschnitts "Nur Trocknen". Wiederholen Sie dasselbe nun mit der restlichen Wäschemenge. Im Anschluss an den Trockenvorgang folgt immer eine kurze Abkühlzeit.

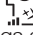

## Nur Trocknen

Wählen Sie mit dem Programmwählschalter einen Trockenvorgang (12-13-14) entsprechend dem Stofftyp. Es kann auch die gewünschte Trockenstufe oder -zeit mit der Taste TROCKEN  eingestellt werden.


Durch Auswählen des Trocknungsprogramms Baumwolle über den Programmknopf und Drücken der Taste „Eco“ wird ein automatischer Trocknungszyklus gestartet, der dank der optimalen Kombination von Lufttemperatur und Programmdauer

Strom spart; auf dem Display wird die Trocknungsstufe Kleiderbügel „A2“ angezeigt.

## Einstellen der gewünschten Waschintensität.

Die Option  ermöglicht Ihnen die optimale Einstellung des Waschgangs auf Grundlage des Verschmutzungsgrades der Kleidung und der gewünschten Waschintensität. Wählen Sie das Spülprogramm. Der Zyklus wird automatisch auf „Normal“ eingestellt, was optimal für durchschnittlich verschmutzte Kleidung ist (diese Einstellung ist nicht geeignet für den Zyklus „Wolle“, der automatisch auf „Delicate“ gestellt wird). Für stark verschmutzte Kleidung drücken Sie die Taste , bis Sie die Einstellung „Intensive“ erreicht haben. Diese Einstellung gewährleistet dank der Verwendung einer größeren Menge Wasser zu Beginn des Zyklus sowie dank einer größeren mechanischen Bewegung einen leistungsstarken Waschgang und ermöglicht die Entfernung der widerstandsfähigsten Flecken. Es ist eine Verwendung mit oder ohne Bleichmittel möglich.

Wenn Sie Bleichmittel verwenden möchten, setzen Sie die mitgelieferte zusätzliche Kammer 4 in Kammer 1 ein. Bei der Dosierung des Bleichmittels darf der auf dem Zentralstift mit „max“ gekennzeichnete Höchststand (siehe Abb. auf Seite 58) nicht überschritten werden.

Für gering verschmutzte Kleidung oder für eine schonende Behandlung der Kleidung drücken Sie die Taste , bis Sie die Einstellung „Delicate“ erreicht haben. Der Zyklus verringert die mechanische Bewegung und sorgt somit für einen idealen Waschgang für Feinwäsche.

## Änderung der Eigenschaften des Waschgangs.

- Drücken Sie die Taste zum Aktivieren der Option; die entsprechende Kontrollleuchte schaltet sich dabei ein.
- Durch erneutes Drücken der Taste kann die Zusatzfunktion wieder ausgeschaltet werden; die Kontrollleuchte erlischt.

! Ist die gewählte Zusatzfunktion nicht kompatibel mit dem eingestellten Programm, schaltet die Kontrollleuchte auf Blinklicht und die Zusatzfunktion wird nicht aktiviert.

! Ist die gewählte Zusatzfunktion mit einer anderen bereits eingestellten nicht kompatibel, beginnt die Kontrollleuchte der ersten ausgewählten Funktion zu blinken und es wird nur die zweite Funktion aktiviert, die Kontrollleuchte der aktivierten Option leuchtet.

! Die Zusatzfunktionen können eine Änderung der empfohlenen Ladungsmenge und/oder Waschzeit bewirken.

7. **STARTEN DES PROGRAMMS.** Drücken Sie die Taste START/PAUSE. Die zugehörige Kontrollleuchte schaltet auf grünes Dauerlicht und die Gerätetür sperrt (Symbol GERÄTETÜR GESPERRT  leuchtet). Um ein Programm während eines laufenden Waschgangs zu ändern, schalten Sie den Waschtrockner mittels der Taste START/PAUSE auf Pause (die Kontrollleuchte START/PAUSE blinkt nun langsam bernsteinfarben); wählen Sie daraufhin das gewünschte Programm aus und drücken Sie erneut auf die Taste START/PAUSE. Um während eines laufenden Programms die Gerätetür zu öffnen, drücken Sie die Taste START/PAUSE; wenn das Symbol GERÄTETÜR GESPERRT  erloschen ist, kann die Gerätetür geöffnet werden. Drücken Sie die Taste START/PAUSE erneut, um das Programm an der Stelle, an der es unterbrochen wurde, wieder in Gang zu setzen.
  8. **ENDE DES PROGRAMMS.** Das Programmende wird durch die Anzeige "END" auf dem Display angezeigt. Wenn das Symbol GERÄTETÜR GESPERRT  erlischt, kann die Gerätetür geöffnet werden. Öffnen Sie die Gerätetür, nehmen Sie die Wäsche heraus und schalten Sie das Gerät aus.
- ! Möchten Sie ein bereits in Gang gesetztes Waschprogramm löschen, drücken Sie die Taste  etwas länger. Der Waschgang wird unterbrochen und das Gerät schaltet sich aus.



# Programme und Zusatzfunktionen

DE

## Programmtabelle

Waschprogramm	Beschreibung des Programms	Max. Temperatur (°C)	Max. Schleudergeschwindigkeit (U/min)	Trockner				Max. Beladungsmenge (kg)	Programmdauer
				Vorwäsche	Hauptwäsche	Bleichmittel	Weichspüler		
<b>CLEAN Plus</b>									
1	Flecken	40°	1400	●	-	●	-	●	5
2	Schnell Fleckenlos	40°	1200	●	-	●	-	●	4,5
3	Weißwäsche	60°	1400	●	-	●	-	●	5
4	<b>Baumwolle 60°C (1):</b> stark verschmutzte Weiß- und farbechte Buntwäsche.	60°	1400	●	-	●	●	●	8
4	<b>Baumwolle (+ Vorwäsche):</b> stark verschmutzte Kochwäsche.	90°	1400	●	●	●	-	●	8
5	<b>Baumwolle 40°C (2):</b> leicht verschmutzte Weiß- und empfindliche Buntwäsche.	40°	1400	●	-	●	●	●	8
6	<b>Synthetik:</b> leicht verschmutzte, farbechte Buntwäsche.	60°	800	●	-	●	●	●	4
<b>SPECIALS</b>									
7	<b>Antiallergen</b>	60°	1400	●	-	●	●	●	5
8	<b>Wolle:</b> wolle, Kaschmir usw.	40°	800	●	-	●	-	●	2
9	<b>Ultra Fein</b>	30°	0	●	-	●	-	●	1
10	<b>Schnell 30':</b> zum kurzen Auffrischen leicht verschmutzter Wäsche (nicht geeignet für Wolle, Seide und Handwäsche).	30°	800	-	-	●	-	●	3,5
11	<b>Wasch &amp; Trocken 45'</b>	30°	1400	●	-	●	-	●	1
<b>DRYING</b>									
12	<b>Baumwolle</b>	-	-	●	-	-	-	-	6
13	<b>Synthetik</b>	-	-	●	-	-	-	-	4
14	<b>Wolle</b>	-	-	●	-	-	-	-	2
<b>Teilprogramme</b>									
	<b>Spülen</b>	-	1400	●	-	-	-	●	8
	<b>Schleudern + Abpumpen</b>	-	1400	●	-	-	-	-	8
	<b>Nur Abpumpen *</b>	-	OFF	-	-	-	-	-	8

Die Waschzeitdauer kann auf dem Display abgelesen werden.

\* Bei Auswahl des Programms und Ausschluss der Schleuder, führt die Maschine nur den abpumpen aus.

Die auf dem Display und in der Bedienungsanleitung genannte Zyklusdauer wird ausgehend von Standardbedingungen berechnet. Die effektiv benötigte Zeit kann aufgrund zahlreicher Faktoren wie Temperatur und Druck des Zulaufwassers, Raumtemperatur, Waschmittelmenge, Art, Menge und Verteilung der Waschladung sowie der gewählten Zusatzfunktionen variieren.

Für alle Testinstitute:

- 1) Prüfprogramm gemäß EN 50229: Das Programm 4 mit einer Temperatur von 60°C.
- 2) Langes Baumwollprogramm: Das Programm 5 mit einer Temperatur von 40°C.

## Zusatzfunktionen

! Ist die gewählte Zusatzfunktion nicht kompatibel mit dem eingestellten Programm, schaltet die Kontrollleuchte auf Blinklicht und die Zusatzfunktion wird nicht aktiviert.

! Ist die gewählte Zusatzfunktion mit einer anderen bereits eingestellten nicht kompatibel, beginnt die Kontrollleuchte der ersten ausgewählten Funktion zu blinken und es wird nur die zweite Funktion aktiviert, die Kontrollleuchte der aktivierten Option leuchtet.

### Eco

Die Funktion Eco trägt dazu bei, Energie zu sparen, indem das Wasser für die Wäsche nicht aufgeheizt wird - ein Vorteil sowohl für die Umwelt als auch für die Stromrechnung. Tatsächlich sichern die verstärkte Waschkaktion und der optimierte Wasserverbrauch hervorragende Ergebnisse bei gleicher durchschnittlicher Dauer eines Standardzyklusses zu. Für maximale Waschergebnisse empfehlen wir den Einsatz eines Flüssigwaschmittels.

Wenn zusätzlich die Trockenfunktion ausgewählt wurde, wird nach dem Waschgang automatisch ein ebenfalls energiesparender Trocknungsgang gestartet, dank der optimalen Kombination von Lufttemperatur und Programmdauer.

! Er kann mit den Programmen 4 und 5 kombiniert werden.

### Startzeitvorwahl

Zur Vorwahl der Startzeit des eingestellten Programms drücken Sie die entsprechende Taste, bis die gewünschte Zeitverschiebung angezeigt wird. Ist diese Funktion aktiv, dann bleibt die entsprechende Kontrollleuchte eingeschaltet. Um eine programmierte Startzeit zu löschen, drücken Sie die Taste, bis auf dem Display die Anzeige "OFF" erscheint.

! Obiges gilt für alle Programme.

# Waschmittel und Wäsche

DE

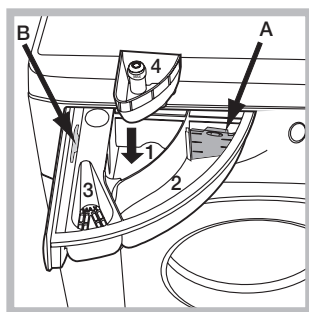
## Waschmittelschublade

Ein gutes Waschergebnis hängt auch von einer korrekten Waschmitteldosierung ab: Eine zu hohe Dosierung bedeutet nicht unbedingt reinere Wäsche, sie trägt nur dazu bei, die Maschineninnenteile zu verkrusten und die Umwelt zu belasten.

! Waschmittel in Pulverform für Baumwollweißwäsche, für die Vorwäsche und für Waschprogramme bei Temperaturen über 60°C verwenden.

! Bitte befolgen Sie den auf der Waschmittelverpackung angegebenen Anweisungen.

! Verwenden Sie keine Handwaschmittel, diese verursachen eine zu hohe Schaumbildung.



Schublade herausziehen und Waschmittel oder Zusätze wie folgt einfüllen:

**Kammer 1: Waschpulver für die Vorwäsche (Waschpulver)**

Vergewissern Sie sich vor Einfüllen des Waschmittels, dass die Zusatzkammer 4 nicht eingesetzt wurde.

**Kammer 2: Waschmittel für die Hauptwäsche (Waschpulver oder**

### Flüssigwaschmittel)

Falls Sie ein Flüssigwaschmittel verwenden, wird empfohlen, die mitgelieferte Trennwand **A** zu benutzen, um eine korrekte Dosierung zu gewährleisten. Wenn Sie ein Pulverwaschmittel verwenden, geben Sie die Trennwand in die Kammer **B**.

**Kammer 3: Zusätze (Weichspüler usw.)**

Der Weichspüler darf das Gitter nicht übersteigen.

**Zusätzliche Kammer 4: Bleichmittel**

## Vorsortieren der Wäsche

- Sortieren Sie die Wäsche nach:
  - Gewebeat / Waschetikettensymbol
  - Farben: Buntwäsche von Weißwäsche trennen.
- Entleeren Sie alle Taschen.
- Das angegebene Gewicht, das sich auf die maximale Ladung an Trockenwäsche bezieht, sollte nicht überschritten werden: siehe "Programmtabelle".

## Wie schwer ist Wäsche?

- 1 Betttuch 400-500 gr
- 1 Kissenbezug 150-00 gr
- 1 Tischdecke 400-500 gr
- 1 Bademantel 900-1200 gr
- 1 Handtuch 150-250 gr

## Sonderprogramme

**Flecken:** Das Programm **1** ist für die Reinigung stark verschmutzter Kleidung mit widerstandsfähigen Farben geeignet. Das Programm gewährleistet einen Waschgang, der besser als der Standard (Klasse A) ist. Mischen Sie bei diesem Programm keine Kleidungsstücke mit unterschiedlicher Farbe. Es empfiehlt sich die Verwendung von Pulverwaschmittel. Bei hartnäckigen Flecken empfiehlt sich die Vorbehandlung mit spezifischen Zusatzstoffen.

Durch Auswahl der Trocknenfunktion wird die Wäsche nach dem Waschen automatisch wie im Freien getrocknet, allerdings mit dem Vorteil, dass sie nicht durch die Sonnenstrahlen vergilbt und nicht durch Staub und Schmutzpartikel in der Luft verschmutzt wird. Es können nur Stufen-Trocknungsprogramme eingestellt werden. Wir empfehlen die Trockenstufe "A2".

**Schnell Fleckenlos:** dieses Programm wurde speziell für das Entfernen von auch hartnäckigen, einen Tag alte Flecken in nur einer Stunde entwickelt. Das sehr schonende Programm eignet sich für Buntwäsche aus Mischfasern. Durch Auswahl der Trocknenfunktion wird die Wäsche

nach dem Waschen automatisch wie im Freien getrocknet, allerdings mit dem Vorteil, dass sie nicht durch die Sonnenstrahlen vergilbt und nicht durch Staub und Schmutzpartikel in der Luft verschmutzt wird. Es können nur Stufen-Trocknungsprogramme eingestellt werden. Wir empfehlen die Trockenstufe "A2".

**Weißwäsche:** Verwenden Sie dieses Programm **3** für weiße Wäsche. Das Programm wurde konzipiert, um die Wäsche lange Zeit leuchtend weiß zu erhalten. Um bessere Ergebnisse zu erzielen, wird Waschmittel in Pulverform empfohlen.

Durch Auswahl der Trocknenfunktion wird die Wäsche nach dem Waschen automatisch wie im Freien getrocknet, allerdings mit dem Vorteil, dass sie nicht durch die Sonnenstrahlen vergilbt und nicht durch Staub und Schmutzpartikel in der Luft verschmutzt wird. Es können nur Stufen-Trocknungsprogramme eingestellt werden.

**Antiallergen:** verwenden Sie das Programm **7** für die Entfernung der wichtigsten Allergene, wie etwa Pollen, Milben oder Katzen- und Hundehaare.

**Wolle:** das Waschprogramm „Wolle“ dieser Waschmaschine wurde von der Woolmark Company für die Wäsche von mit „Handwäsche“ gekennzeichneten Wollkleidungsstücken anerkannt, vorausgesetzt die Wäsche erfolgt gemäß der Anweisungen auf Etikett des Kleidungsstück und den Angaben des Herstellers dieser Waschmaschine. (M1127)



**Ultra Fein:** verwenden Sie das Programm **9** für die Reinigung von Feinwäsche, die Applikationen wie Strass oder Pailletten aufweist. Wählen Sie für die Reinigung von Kleidungsstücken aus **Seide** und **Vorhänge** den Zyklus **9** und wählen Sie bei der Option **1** die Einstellung „Delicate“.

Es wird empfohlen, die Kleidungsstücke vor der Reinigung umzudrehen und kleinere Kleidungsstücke in den entsprechenden Reinigungsbeutel für Feinwäsche zu geben. Um bessere Ergebnisse zu erzielen, wird für die Reinigung von Feinwäsche die Verwendung von Flüssigwaschmittel empfohlen. Indem ausschließlich die zeitgesteuerte Trocknenfunktion ausgewählt wird, wird ein besonders schonendes Trocknungsprogramm mit leichten Bewegungen und einem Luftstrom mit optimal angepasster Temperatur ausgeführt. Die empfohlenen Programmdauern sind:

- 1 kg Synthetik --> 150 min.
- 1 kg Synthetik und Baumwolle --> 180 min.
- 1 kg Baumwolle --> 180 min.

Der Trocknungsgrad hängt von der Beladung und der Beschaffenheit des Gewebes ab.

**Wash & Trocken 45':** das Programm **11** verwenden, um leicht verschmutzte Wäsche (Baumwolle und Synthetik) in kurzer Zeit zu waschen und zu trocknen. Mit diesem Programm können bis zu 1 kg in nur 45 Minuten gewaschen und getrocknet werden. Für ein optimales Resultat verwenden Sie Flüssigwaschmittel; behandeln Sie Bündchen, Kragen und Flecken vor.

## System zur Auswuchtung der Wäscheladung

Um zu starke Vibrationen, die durch Unwucht beim Schleudern entstehen, zu vermeiden, sorgt das Gerät für eine gleichmäßige Verteilung der Wäscheladung durch Rotationen der Trommel. Sollte die Wäscheladung nach Ablauf mehrerer Versuche immer noch nicht korrekt verteilt sein, schleudert das Gerät die Wäsche bei einer niedrigeren Geschwindigkeit als die der vorgesehenen Schleudergeschwindigkeit. Sollte die Wäsche extrem ungleichmäßig verteilt sein, führt das Gerät anstelle des Schleudergangs einen Wäscheverteilungs-Zyklus durch. Um eine optimale Verteilung der Wäscheladung und somit eine korrekte Auswuchtung zu begünstigen, sollten große und kleine Wäscheteile gemischt eingefüllt werden.

Bei Funktionsstörung: Bevor Sie sich an den Technischen Kundendienst wenden (siehe „Kundendienst“), vergewissern Sie sich zuerst, ob es sich nicht um eine Kleinigkeit handelt, die Sie selbst beheben können. Ziehen Sie hierzu nachstehendes Verzeichnis zu Rate.

## Störungen:

## Mögliche Ursachen / Lösungen:

**Der Wäschetrockner schaltet sich nicht ein.**

- Der Stecker steckt nicht in der Steckdose, oder nicht so, dass der Kontakt hergestellt wird.
- Der Strom ist ausgefallen.

**Der Waschgang startet nicht.**

- Die Gerätetür wurde nicht vorschriftsmäßig geschlossen.
- Die ON/OFF-Taste wurde nicht gedrückt.
- Die Taste START/PAUSE wurde nicht gedrückt.
- Der Wasserhahn ist nicht aufgedreht.
- Es wurde ein verzögerter Start gewählt.

**Der Wäschetrockner lädt kein Wasser (Auf dem Display ist die Anzeige “H2O” blinkend eingeblendet).**

- Der Zufuhrschlauch ist nicht am Wasserhahn angeschlossen.
- Der Schlauch ist geknickt.
- Der Wasserhahn ist nicht aufgedreht.
- Es ist kein Wasser da.
- Der Druck ist unzureichend.
- Die Taste START/PAUSE wurde nicht gedrückt.

**Der Wäschetrockner lädt laufend Wasser und pumpt es laufend ab.**

- Der Ablaufschlauch befindet sich nicht auf der vorgeschriebenen Höhe, d.h. 65 – 100 cm vom Boden (siehe “Installation”).
- Das Schlauchende liegt unter Wasser (siehe “Installation”).
- Der Abfluss der Hausinstallation wurde nicht mit einer Entlüftungsöffnung versehen. Könnte die Störung durch diese Kontrollen nicht behoben werden, dann drehen Sie den Wasserhahn zu, schalten das Gerät aus und fordern den Kundendienst an. Falls Sie in einer der obersten Etagen eines Gebäudes wohnen, kann es vorkommen, dass sich im Syphon ein Vakuum bildet, und der Wäschetrockner ständig Wasser ansaugt und wieder abpumpt. Zur Lösung dieser Probleme bietet der Handel spezielle Syphonventile.

**Der Wäschetrockner pumpt nicht ab und schleudert nicht.**

- Das Programm siehe kein Abpumpen vor: bei einigen Programmen muss diese Funktion manuell gestartet werden.
- Der Ablaufschlauch ist geknickt (siehe “Installation”).
- Die Ablaufleitung ist verstopft.

**Der Wäschetrockner vibriert zu stark während des Schleuderns.**

- Die Trommel wurde bei der Installation nicht korrekt befreit (siehe “Installation”).
- Der Wäschetrockner steht nicht eben (siehe “Installation”).
- Der Wäschetrockner steht zu eng zwischen der Wand und einem Möbel (siehe “Installation”).

**Der Wäschetrockner ist undicht.**

- Der Zulaufschlauch wurde nicht ordnungsgemäß aufgeschraubt (siehe “Installation”).
- Die Waschmittelschublade ist verstopft (zur Reinigung siehe “Wartung und Pflege”).
- Der Ablaufschlauch ist nicht korrekt befestigt (siehe “Installation”).

**Die Kontrollleuchten der “Funktionen” und “START/PAUSE” blinken schnell und auf dem Display wird ein Fehlercode angezeigt (z.B.: F-01, F-..).**

- Schalten Sie das Gerät aus und ziehen Sie den Netzstecker; warten Sie daraufhin ca. 1 Minute und schalten Sie es wieder ein. Bleibt die Störung bestehen, kontaktieren Sie bitte den Kundendienst.

**Es bildet sich zu viel Schaum.**

- Das Waschmittel ist für Waschmaschinen nicht geeignet (es muss mit der Aufschrift “Für Waschmaschinen”, “Für Handwäsche und Waschmaschinen” usw. versehen sein).
- Es wurde zu hoch dosiert.

**Der Wäschetrockner trocknet nicht.**

- Der Stecker steckt nicht in der Steckdose, oder nicht so, dass der Kontakt hergestellt wird.
- Der Strom ist ausgefallen.
- Das Füllfenster ist nicht richtig geschlossen.
- Es wurde ein verzögerter Start gewählt.
- Der TROCKNEN befindet sich auf Position OFF.

# Kundendienst

---

DE

## **Bevor Sie den Kundendienst anfordern:**


- sollten einige Kontrollen vorab selbst durchgeführt werden (*siehe „Störungen und Abhilfe“*);
- Starten Sie daraufhin das Programm erneut, um sicherzustellen, dass die Störung auch wirklich behoben wurde;
- Ist dies nicht der Fall, wenden Sie sich bitte an ein Kundendienstzentrum.

! Beauftragen Sie bitte niemals unbefugtes Personal.

## **Comunicare:**

- die Art der Störung;
- das Gerätemodell (Mod.);
- die Seriennummer (S/N).

Diese Daten entnehmen Sie bitte dem auf der Rückseite des Waschtrockners und auf der Vorderseite (Gerätetür öffnen) befindlichen Typenschild.

!  Acest simbol îți amintește să citești acest manual de instrucțiuni.

RO

RO

Română

FDG 8640

### Sumar

#### Instalare, 62-63

Despachetare și punere la nivel  
Racorduri hidraulice și electrice  
Primul ciclu de spălare  
Date tehnice

#### Întreținere și curățire, 64

Înteruperea alimentării cu apă și curent electric  
Curățarea mașinii de spălat  
Curățarea compartimentului pentru detergent  
Îngrijirea ușii și a tamburului  
Curățarea pompei  
Controlarea furtunului de alimentare cu apă

#### Precauții și sfaturi, 65

Siguranța generală  
Scoaterea aparatului din uz  
Deschiderea manuală a ușii

#### Descrierea mașinii de spălat, 66-67

Panoul de control  
Display

#### Cum se efectuează un ciclu de splare sau de uscare, 68

#### Programe și opțiuni, 69

Tabel de programe  
Opțiuni de spălare

#### Detergenți și rufe, 70

Sertarul detergenților  
Pregătirea rufelor  
Programe particulare  
Sistemul de echilibrare a sarcinii

#### Anomalii și remedii, 71

#### Asistență, 72

# Instalare

RO

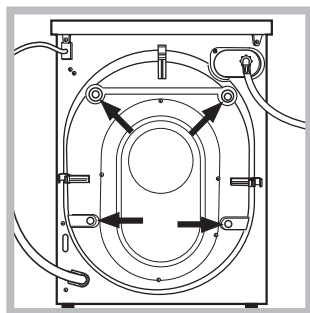
! Este important să păstrați acest manual pentru a-l putea consulta în orice moment. În caz de vânzare, de cesiune sau de schimbare a locuinței, acesta trebuie să rămână împreună cu mașina de spălat pentru a informa noul proprietar cu privire la funcționare și la respectivele avertismente.

! Citiți cu atenție instrucțiunile: veți găsi informații importante cu privire la instalare, la folosire și la siguranță.

## Despachetare și punere la nivel

### Despachetare

1. Scoaterea din ambalaj a mașinii de spălat.
2. Controlați ca mașina de spălat să nu fi fost deteriorată în timpul transportului. Dacă este deteriorată nu o conectați și luați legătura cu vânzătorul.



3. Scoateți cele 4 șuruburi de protecție pentru transport și cauciucul cu respectivul distanțier, situate în partea posterioară (a se vedea figura).

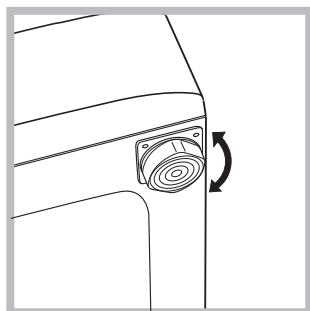
4. Închideți orificiile cu dopurile din plastic aflate în dotare.

5. Păstrați toate piesele: pentru cazul în care mașina de spălat va trebui să fie transportată, piesele vor trebui montate din nou.

! Ambalajele nu sunt jucării pentru copii!

### Punere la nivel

1. Instalați mașina de spălat pe o suprafață plană și rigidă, fără a o sprijini de ziduri, mobilă sau altceva.



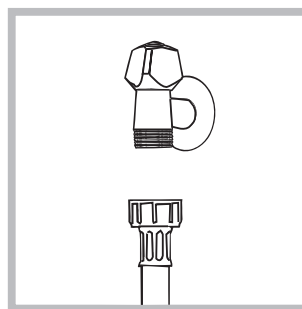
2. Dacă podeaua nu este perfect orizontală, compensați neregularitățile deșurubând sau înșurubând piciorușele anterioare (a se vedea figura); unghiul de înclinare, măsurat pe planul de

lucru, nu trebuie să depășească 2°.

O nivelare precisă conferă stabilitate mașinii și evită vibrații, zgomote și deplasări pe timpul funcționării. În cazul mochetelor sau a unui covor, reglați piciorușele astfel încât să mențineți sub mașina de spălat un spațiu suficient pentru ventilație.

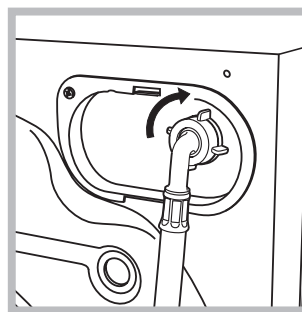
## Racorduri hidraulice și electrice

### Racordarea furtunului de alimentare cu apă



1. Conectați furtunul de alimentare, înșurubându-l la un robinet de apă rece cu gura filetată de 3/4 gaz (a se vedea figura). Înainte de conectare, lăsați apa să curgă până când nu a

devenit limpede.



2. Conectați tubul de alimentare la mașina de spălat, înșurubându-l la sursa de apă respectivă, amplasată în partea posterioară, sus în dreapta (a se vedea figura).

3. Fiți atenți ca furtunul să nu fie nici pliat nici îndoit.

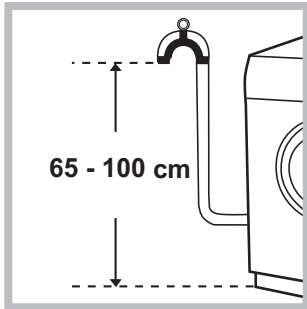
! Presiunea apei de la robinet trebuie să fie cuprinsă în valorile din tabelul Date tehnice (a se vedea pagina alăturată).

! Dacă lungimea furtunului de alimentare nu este suficientă, adresați-vă unui magazin specializat sau unui instalator autorizat.

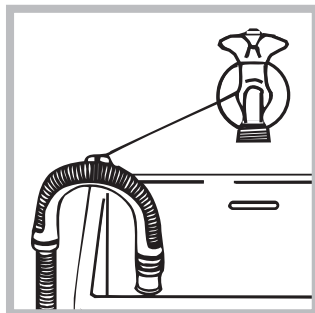
! Nu folosiți niciodată tuburi folosite deja.

! Utilizați tuburile furnizate împreună cu mașina.

### Conectarea furtunului de golire



Conectați furtunul de golire - fără a-l îndoi - la canalizare sau la racordul de golire prevăzut pe perete, la o înălțime de 65 - 100 cm de sol;



Sprrijiniți-l de marginea căzii sau chiuvetei și racordați șina de ghidare din dotare la robinet (a se vedea figura). Capătul liber al furtunului de golire nu trebuie să rămână cufundat în apă.

! Nu se recomandă folosirea furtunurilor prelungitoare; dacă este indispensabil, acestea trebuie să aibă același diametru ca și furtunul original și nu trebuie să depășească 150 cm lungime.

### Racordarea electrică

Înainte de a introduce stecherul în priză, asigurați-vă ca:

- priza să fie cu împământare și conform prevederilor legale;
- priza să poată suporta sarcina maximă de putere a mașinii, indicată în tabelul Date Tehnice (a se vedea alături);
- tensiunea de alimentare să fie cuprinsă în valorile indicate în tabelul Date Tehnice (a se vedea alături);
- priza să fie compatibilă cu stecherul mașinii de spălat. În caz contrar înlocuiți stecherul.

! Mașina de spălat nu trebuie instalată afară, nici chiar în cazul în care spațiul este adăpostit, deoarece este foarte periculoasă expunerea mașinii la ploi și furtuni.

! După instalarea mașinii de spălat, priza de curent trebuie să fie ușor accesibilă.

! Nu folosiți prelungitoare și prize multiple.

! Cablul nu trebuie să fie îndoit sau comprimat.

! Cablul de alimentare trebuie să fie înlocuit doar de tehnicieni autorizați ai centrului de service ce apare scris pe certificatul de garanție emis de producător.

Atenție! Producătorul își declină orice responsabilitate în cazul în care aceste norme nu se respectă.

### Primul ciclu de spălare

După instalare, înainte de folosire, efectuați un ciclu de spălare cu detergent și fără rufe, selectând programul „AUTOCURĂȚARE” (a se vedea „Curățarea mașinii de spălat”).

Date tehnice	
Model	FDG 8640
Dimensiuni	lățime 59,5 cm înălțime 85 cm profundime 60,5 cm
Capacitate	de la 1 la 8 kg pentru spălare de la 1 la 6 kg pentru uscare
Legături electrice	Vezi plăcuta cu caracteristicile tehnice, aplicata pe masina.
Legături hidrice	presiune maximă 1 MPa (10 bari) presiune minimă 0,05 MPa (0,5 bari) capacitatea cuvei 62 litri
Viteza de centrifugare	până la 1400 de rotații pe minut
Programe de control pe baza normei EN 50229	<b>spălare:</b> programul 4; temperatura 60°C; efectuată cu 8 kg de rufe. <b>uscare:</b> uscarea cantității mai mici (2kg) trebuie efectuată selectând nivelul de uscare „Călcare” (A1), cantitatea de lenjerie trebuie să se compună din 2 cearceafuri, 1 fețe de pernă și 1 prosoape; uscarea cantității rămase trebuie să se facă prin selectarea nivelului de uscare “Extra” (A4).
 	Acest aparat este conform cu următoarele Directive Comunitare: - 2004/108/CE (Compatibilitate Electromagnetică) - 2006/95/CE (Tensiuni Joase) - 2012/19/EU
Zgomot (dB(A) re 1 pW)	Spălare: 51 Centrifugare: 80 Uscare: 58

# Întreținere i curare

RO

## Înteruperea alimentării cu apă și curent electric

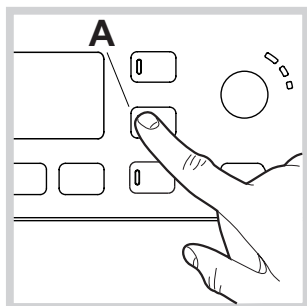
- Închideți robinetul de apă după fiecare spălare. Se limitează astfel uzura instalației hidraulice a mașinii de spălat și se elimină pericolul scurgerilor.
- Scoateți stecherul din priza de curent atunci când curățați mașina de spălat și când se efectuează lucrări de întreținere.

## Curățarea mașinii de spălat

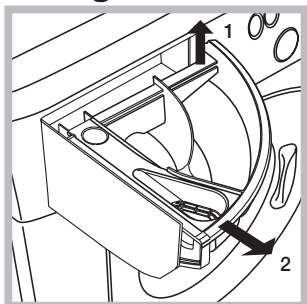
- Partea externă și părțile din cauciuc pot fi curățate cu o lavetă înmuiată în apă caldută și săpun. Nu folosiți solvenți sau substanțe abrazive.
- Mașina de spălat este prevăzută cu un program de „AUTOCURĂȚARE” a pieselor interne care trebuie realizat **fără niciun fel de încărcătură în cuvă**.

Detergentul (în cantitate de 10% din cea recomandată pentru rufe puțin murdare) sau aditivii specifici pentru curățarea mașinii de spălat pot fi folosite ca mijloace auxiliare în programul de spălare. Se recomandă efectuarea programului de curățare la fiecare 40 de cicluri de spălare.

Pentru a activa programul, apăsați butonul **A** pentru 5 secunde (a se vedea figura). Programul pornește automat și durează aproximativ 70 de minute. Pentru a termina ciclul, apăsați butonul START/PAUSE.



## Curățarea compartimentului pentru detergent



Trageți afara compartimentul ridicându-l și tragându-l spre exterior (a se vedea figura). Spălați-l sub un jet de apă; această operație trebuie efectuată cât mai des posibil.

## Îngrijirea ușii și a tamburului

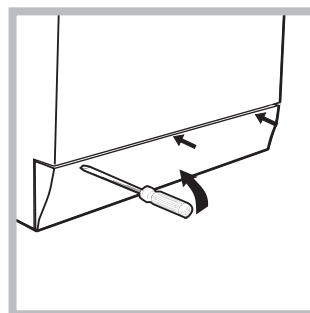
- Lăsați mereu ușa întredeschisă pentru a evita formarea de mirosuri neplăcute.

## Curățarea pompei

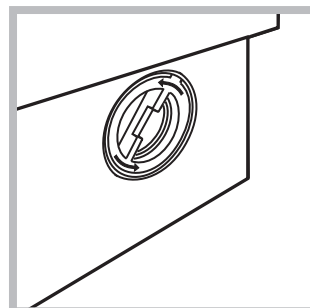
Mașina de spălat este dotată cu o pompă de autocurățare care nu are nevoie de întreținere. Se poate întâmpla însă ca unele obiecte mici (monede, nasturi) să cadă în anticamera care protejează pompa, situată în partea inferioară a acesteia.

! Verificați ca ciclul de spălare să fie încheiat și scoateți stecherul din priză.

Pentru a avea acces la anticameră:



1. scoateți panoul de acoperire din partea din față a mașinii de spălat folosind o șurubelniță (a se vedea figura);



2. deșurubați capacul rotindu-l în sens invers acelor de ceasornic (a se vedea figura). Este normal să iasă puțină apă;

3. curățați cu grijă interiorul;
4. înșurubați la loc capacul;
5. montați din nou panoul verificând, înainte de a-l împinge spre mașină, de a fi introdus cârligele în orificiile respective.

## Controlarea furtunului de alimentare cu apă

Controlați tubul de alimentare cel puțin o dată pe an. Dacă prezintă crăpături sau fisuri trebuie înlocuit: pe parcursul spălărilor, presiunea puternică ar putea provoca crăpături neașteptate.

! Nu folosiți niciodată tuburi folosite deja.



! Mașina de spălat a fost proiectată și construită conform normelor internaționale de protecție. Aceste avertizări sunt furnizate din motive de siguranță și trebuie să fie citite cu atenție.

## Siguranța generală

- Acest aparat a fost conceput exclusiv pentru utilizarea în locuințe unifamiliale.
- Aparatul nu trebuie utilizat de către persoane (inclusiv Aparat aparat poate fi folosit de copii începând cu vârsta de 8 ani și de persoane cu capacități fizice, senzoriale sau mentale reduse sau cu experiență și cunoștințe insuficiente dacă sunt supravegheate sau dacă au primit o pregătire adecvată privind folosirea aparatului în mod sigur și înțelegând pericolele respective. Copiii nu trebuie să se joace cu aparatul. Întreținerea și curățarea nu trebuie să fie efectuate de copii fără supraveghere.
  - Nu uscați rufe nespălate.
  - Rufe murdărite cu substanțe precum ulei comestibil, acetonă, alcool, benzină, kerosen, substanțe de scos petele, rășină, ceară și substanțele de îndepărtare a acestora trebuie spălate în apă caldă cu o cantitate mai mare de detergent înainte de a le usca în mașina de uscat.
  - Obiectele precum cauciuc expandat (spumă de latex), cască de duș, materiale textile impermeabile, articole cu o parte din cauciuc și haine sau perne care au părți din spumă de latex nu trebuie uscate în mașina de uscat.
  - Emolientele sau produsele similare trebuie folosite conform instrucțiunilor producătorului.
  - Partea finală a unui ciclu al mașinii de uscat are loc fără căldură (ciclu de răcire) pentru ca articolele să nu fie deteriorate.
- **ATENȚIE:** Nu opriți niciodată mașina înainte de terminarea programului de uscare. În acest caz scoateți repede toate rufe și întindeți-le pentru a le răci rapid.
- Nu atingeți mașina când sunteți desculți sau cu mâinile sau picioarele ude sau umede.
- Nu scoateți stecherul din priză trăgând de cablu.
- Nu deschideți compartimentul pentru detergent în timp ce mașina se află în funcțiune.
- Nu atingeți apa goliță din mașină: poate avea o temperatură ridicată.
- Nu forțați în nici un caz ușa: s-ar putea deteriora mecanismul de siguranță care evită deschiderea accidentală.
- În caz de defecțiune, nu umblați în nici un caz la mecanismele din interior și nu încercați să o reparați singuri.
- Controlați mereu ca în apropierea mașinii aflate în funcțiune, să nu se afle copii.
- Pe durata spălării ușa se poate încălzi.
- Dacă trebuie să deplasați mașina, cereți ajutor unei alte (sau 2) persoane și fiți foarte atenți. Niciodată nu deplasați mașina singuri deoarece aceasta este foarte grea.
- Înainte de a introduce rufe, controlați cuva să fie goală.
- În timpul uscării, ușa mașinii de spălat se încălzește.
- Nu uscați rufe pe care le-ați spălat cu solvenți inflamabili (de ex. trielină).
- Nu uscați rufe cu aplicații din cauciuc sintetic sau elastomeri asemănători.

- Fiți atenți ca pe durata fazelor de uscare robinetul de apă să fie deschis.
- Scoateți toate obiectele din buzunare, precum brichete și chibrituri.
- Copiii în vârstă de până la 3 ani trebuie să stea departe de uscător dacă nu sunt supravegheați în mod constant.

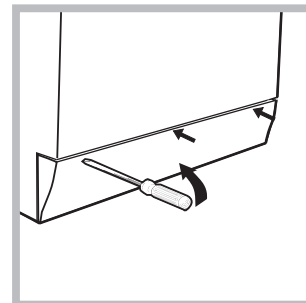
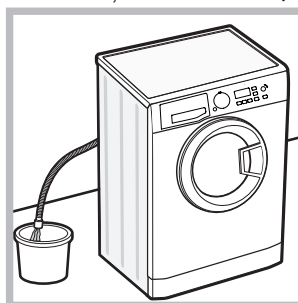
## Scoaterea din uz

- Eliminarea ambalajelor: respectați reglementările locale, în acest fel ambalajele vor putea fi refolosite.
- Directiva Europeană 2012/19/EU cu privire la deșeurile care provin de la aparatura electrică sau electronică prevede ca aparatele electrocasnice să nu fie colectate împreună cu deșeurile urbane solide, obișnuite. Aparatele scoase din uz trebuie să fie colectate separat atât pentru a optimiza rata de recuperare și de reciclare a materialelor componente cât și pentru a evita pericolele care pot afecta sănătatea omului sau polua mediul înconjurător. Simbolul toberonului tăiat care apare pe toate produsele vă amintește tocmai obligația de a le colecta separat. Pentru informații suplimentare cu privire la scoaterea din uz a electrocasnicilor, deținătorii acestora pot apela la centrele de colectare a deșeurilor sau la vânzătorii de la care au achiziționat produsele respective.

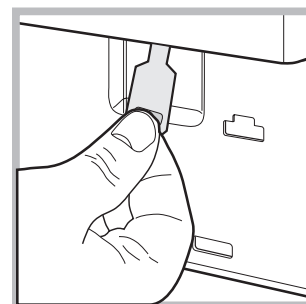
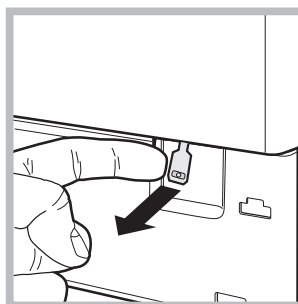
## Deschiderea manuală a ușii

Dacă nu este posibil să deschideți ușa din cauza întreruperii curentului electric și doriți totuși să întindeți rufe, procedați după cum urmează:

1. scoateți stecherul din priză.



2. verificați ca nivelul de apă din mașină să fie sub marginea ușii; în caz contrar, scoateți apa în exces cu ajutorul furturnului de golire, punând-o într-un vas, după indicațiile din figura.
3. scoateți panoul de acoperire din partea din față a mașinii de spălat folosind o șurubelniță (a se vedea figura).

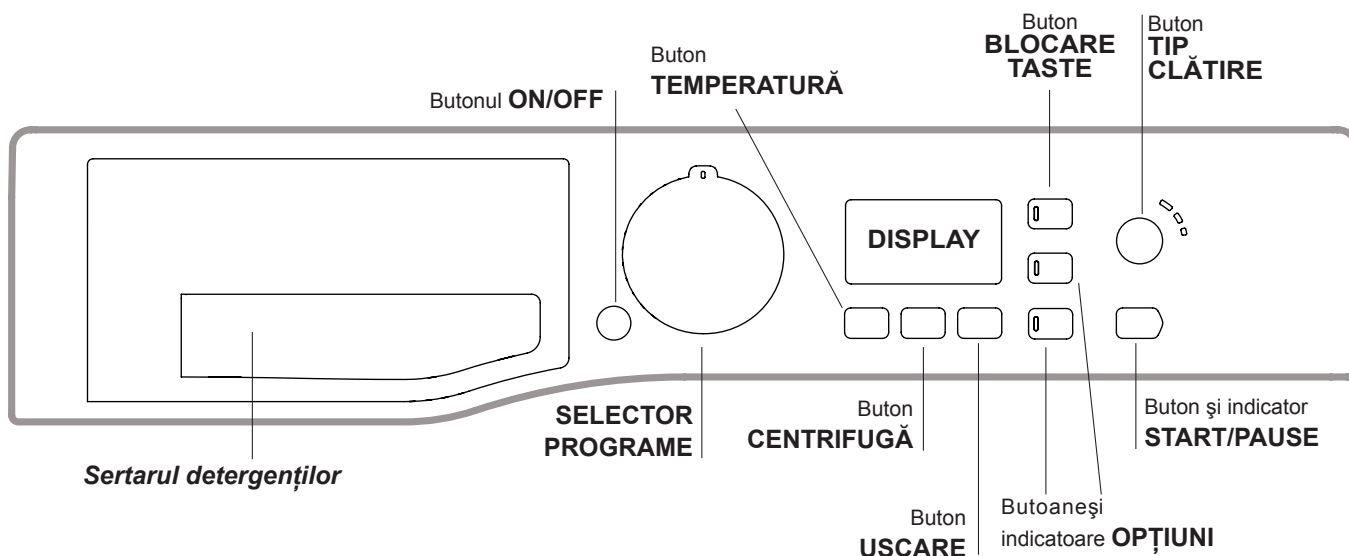


4. utilizând dispozitivul indicat în figură, trageți spre dumneavoastră până când eliberați tirantul de plastic din opritor; trageți apoi în jos și, în același timp, deschideți ușa.
5. montați din nou panoul verificând, înainte de a-l împinge spre mașină, de a fi introdus cârligele în orificiile respective.


# Descrierea mașinii de spălat

RO

## Panoul de control





**Sertarul detergenților:** pentru a introduce detergenții sau aditivele (a se vedea “Detergenți și rufe”).


Buton **ON/OFF** : apăsați scurt tasta pentru a porni sau opri mașina de spălat. Indicatorul **START/PAUSE** emite un semnal intermitent de culoare verde, ceea ce vă confirmă pornirea mașinii. Pentru a opri funcționarea mașinii de spălat în timpul spălării, este necesar să țineți apăsată tasta circa 3 secunde; o apăsare de scurtă durată sau accidentală nu va opri mașina. Oprirea mașinii de spălat în timpul executării unui ciclu va anula programul în curs de desfășurare.


**SELECTOR PROGRAME:** pentru a alege programul dorit (a se vedea “Tabel programe”).


Butoane și indicatoare **OPȚIUNE:** pentru a selecta opțiunile disponibile. Indicatorul privind opțiunea selectată va rămâne aprins.


Buton **TIP CLĂTIRE** : apăsați pentru a selecta tipul dorit de clătire.

Buton **TEMPERATURĂ** : apăsați butonul pentru a diminua sau exclude temperatura; valoarea acesteia va fi afișată pe display.

Buton **CENTRIFUGĂ** : apăsați butonul pentru a reduce numărul de rotații sau a bloca storcătorul; numărul de turații se poate vedea pe display.

Buton **USCARE** : apăsați pentru a reduce sau exclude uscarea; nivelul și durata de uscare alese vor fi afișate pe display.

Buton și indicator **START/PAUSE:** când ledul verde emite un semnal intermitent, apăsați tasta pentru a porni ciclul de spălare. După activarea ciclului, ledul rămâne aprins. Pentru a introduce o pauză în timpul spălării, apăsați din nou tasta: ledul va emite o lumină intermitentă, de culoare portocalie. După stingerea indicatorului luminos , puteți deschide ușa. Pentru a continua spălarea, de unde a fost întreruptă, apăsați din nou tasta.

Buton **BLOCARE TASTE:** pentru a **bloca** panoul de comandă, țineți apăsată tasta timp de 2 secunde. Dacă ledul  corespunzător este aprins, atunci panoul de comenzi este blocat (cu excepția buton ON/OFF). În acest fel, se evită modificarea accidentală a unui program, în special de către copii. Pentru a **debloca** panoul de comandă, țineți apăsată tasta timp de 2 secunde.

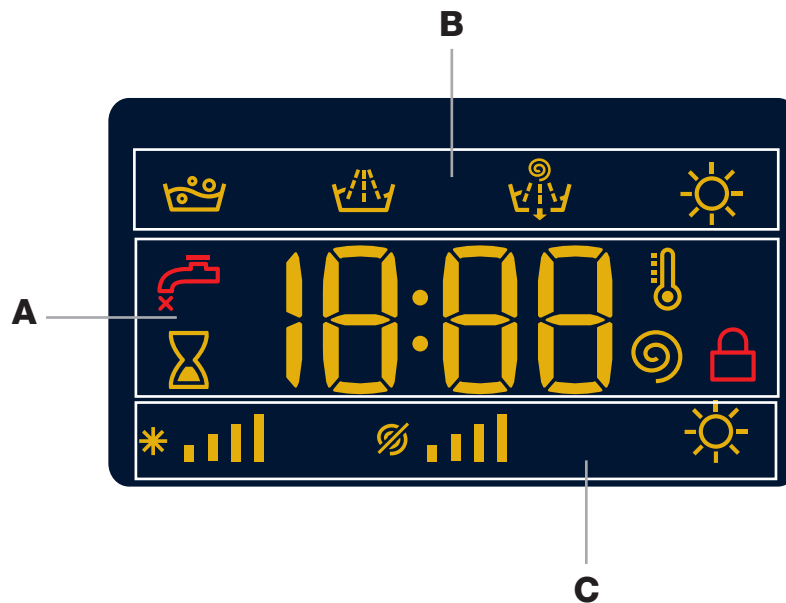
### Modalitatea de stand by

Această mașină de spălat rufe, conform noilor norme legate de economia de curent electric, este dotată cu un sistem de oprire automat (stand-by) care intră în funcțiune după 30 minute de neutilizare. Apăsați scurt tasta ON/OFF și așteptați repunerea în funcțiune a mașinii.

Consum în off-mode: 0,5 W

Consum în Left-on: 8 W


## Display



Ecranul este util pentru a programa mașina și a furniza numeroase informații.

În secțiunea **A** este afișată durata diferitelor programe la dispoziție și a celui rămas, în cazul unui ciclu de spălare deja în desfășurare (pe display se va afișa durata maximă a ciclului selectat care se va putea micșora după câteva minute, deoarece durata efectivă a programului variază în funcție de cantitatea de lenjerie și de setările date); dacă a fost programat un interval de PORNIRE ÎNTÂRZIATĂ, este afișat intervalul rămas până la pornirea programului selectat. În plus, apăsând tasta respectivă, se vor vizualiza valorile maxime de temperatură, ale vitezei de centrifugare sau tipul de uscare prevăzute pentru programul ales sau ultimele valori selecționate dacă sunt compatibile cu programul ales.


În secțiunea **B** sunt afișate „fazele de spălare” prevăzute pentru ciclul selecționat și cele în curs de desfășurare, în cazul unui program deja pornit:

-  Spălare
-  Clătire
-  Centrifugă/Golire
-  Uscare

În secțiunea **C** sunt prezente, începând de la stînga, iconițele pentru “temperatură”, “centrifugă” și “uscare”. Barele “temperatură” \* ||| indică nivelul maxim de temperatură care poate fi selectat pentru ciclul setat. Barele “centrifugă” ∅ ||| indică nivelul maxim de centrifugare care poate fi selectat pentru ciclul setat. Simbolul ☀ se aprinde în timpul programării uscării.

### Indicator **UȘĂ BLOCATĂ**



Iluminarea simbolului indică blocarea hubloului. Pentru a evita daune este necesar să se aștepte ca simbolul să se stingă înainte de a deschide ușa.

Pentru a deschide ușa în timpul executării unui ciclu, apăsați butonul START/PAUSE; când simbolul UȘĂ BLOCATĂ  se stinge, puteți deschide ușa.

# Cum se efectuează un ciclu de spălare sau de uscare


RO

- 1. PUNEREA ÎN FUNCȚIUNE A MAȘINII** Apăsăți butonul ; indicatorul START/PAUSE va lumina intermitent lent cu culoarea verde.
- 2. INTRODUCEREA RUFELOR** Deschideți ușa. Introduceți rufele în mașină, fiind atenți să nu depășiți cantitatea indicată în tabelul de programe - a se vedea pagina următoare.
- 3. DOZAREA DETERGENTULUI** Extrageți sertarul și turnați detergent în compartimentele respective, după indicațiile din capitolul "Detergenți și rufe".
- 4. ÎNCHIDEȚI UȘA.**
- 5. ALEGEREA PROGRAMULUI** Selectați cu butonul PROGRAME programul dorit; acestuia îi sunt asociate o temperatură și o viteză de centrifugă care pot fi modificate. Pe ecran va apărea și durata ciclului.
- 6. PERSONALIZAREA CICLULUI DE SPĂLARE.** Apăsăți butoanele: respective.

**Modificarea temperaturii și/sau a centrifugei.** Mașina afișează automat temperatura și centrifuga maxime prevăzute pentru programul ales, sau ultimele selectate, dacă sunt compatibile cu programul. Apăsând butonul  se reduce progresiv temperatura pînă spălarea rece "OFF". Apăsând butonul  se reduce progresiv centrifuga pînă la excluderea sa "OFF". Din acest moment, apăsarea ulterioară a butonelor va aduce valorile la cele maxime prevăzute.

! Excepție: dacă selectați programul 4 temperatura poate fi crescută pînă la 90°C (+ prespălare).

## Alegerea programului de uscare

La prima apăsare a tastei , mașina alege automat nivelul de uscare maxim, compatibil cu programul selectat. Următoarele apăsări reduc nivelul și ulterior durata de uscare, pînă la excluderea completa a fazei (OFF).

Sunt prevăzute două posibilități:

**A** - În funcție de gradul de umiditate al rufelor de uscat:

**Călcare "A1"**: Indicat ptr rufele ce necesită călcare  
Nivelul de umiditate reziduală înmoaie pliurile și deci facilitează întinderea lor, prin călcare.

**Mediu "A2"**: Indicat ptr rufele care nu au nevoie de o uscare completă.

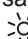
**Uscat "A3"**: Ideal ptr hainele de pus în dulap, fără călcare.

**Extra "A4"**: Indicat ptr hainele care au nevoie de o uscare perfectă, ca de ex., prosoapele și halatele de baie.

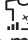
**B** - În funcție de timp: de la **30** la **180** de minute.

La încheierea procesului de uscare se activează o fază de răcire. Dacă în mod excepțional cantitatea de rufe de spălat și uscat este superioară maximumului prevăzut, efectuați spălarea, iar la încheierea programului, subdivizați cantitatea și repuneți o parte în mașină. După care urmați instrucțiunile prevăzute pentru efectuarea **doar a uscării**. Repetați aceeași procedură pentru rufele rămase.


## Doar a uscării

Alegeți cu selectorul programelor un anumit tip de uscare (12-13-14) în baza țesutului. Se poate fixa nivelul sau durata de uscare, după dorință, cu tasta USCARE . Selecționând cu butonul de programe, uscarea bumbacului și apăsând tasta "Eco", va fi efectuată o uscare automată care va permite economisirea energiei datorită combinației optime dintre temperatura aerului și durata ciclului; pe ecran se va afișa nivelul de uscare "A2".


## Reglați intensitatea dorită de spălare.

Opțiunea  permite optimizarea spălării în funcție de gradul de murdărie al țesăturilor și de intensitatea dorită a spălării.

Selectați programul de spălare, ciclul este reglat automat la nivelul „Normal”, optimizat pentru rufe cu grad normal de murdărie (această reglare nu este valabilă pentru ciclul „Lână”, care se reglează automat la nivelul „Delicate”).

Pentru rufe foarte murdare apăsați butonul  pînă se ajunge la nivelul „Intensive”. Datorită utilizării unei cantități mai mari de apă în faza inițială a ciclului și a unei mișcări mecanice mai mari, această opțiune garantează o spălare de mare performanță și este utilă pentru eliminarea petelor rezistente. Poate fi utilizată **cu sau fără** înălbitor.

Dacă doriți să efectuați albirea, introduceți tăvița suplimentară **4**, din dotare, în tăvița **1**. Când dozați înălbitorul, nu depășiți nivelul „max” indicat pe pivotul central (a se vedea figura de la pag. 70).

Pentru rufe puțin murdare sau pentru un tratament mai delicat al țesăturilor, apăsați butonul  pînă se ajunge la nivelul „Delicate”. Ciclul va reduce mișcarea mecanică pentru a asigura rezultate perfecte de spălare pentru rufele delicate.




## Modificarea caracteristicilor ciclului.


- Apăsăți butonul pentru a activa opțiunea; indicatorul corespunzător butonului se va aprinde.
- Apăsăți din nou butonul pentru a dezactiva această opțiune; indicatorul luminos respectiv se va stinge.

! Dacă opțiunea selectată nu este compatibilă cu programul ales, ledul corespunzător va semnaliza iar funcția nu se va activa.

! Dacă opțiunea selectată nu este compatibilă cu o altă opțiune, reglată anterior, ledul corespunzător primei opțiuni va emite un semnal intermitent și va fi activată numai a doua opțiune (ledul corespunzător acesteia se va aprinde).

! Cantitatea de rufe admisă precum și durata ciclului pot varia în funcție de funcția aleasă.

- 7. ACTIVAREA UNUI PROGRAM.** Apăsăți butonul START/PAUSE. Indicatorul luminos se va aprinde - culoare albastră și ușa se va bloca (simbolul UȘĂ BLOCATĂ  se va aprinde). Pentru a modifica un program în timpul executării unui ciclu, apăsați butonul START/PAUSE pentru a întrerupe momentan ciclul; indicatorul corespunzător butonul START/PAUSE se va aprinde intermitent culoarea aurie) și alegeți noul ciclu dorit și apăsați din nou butonul START/PAUSE. Pentru a deschide ușa în timpul executării unui ciclu, apăsați butonul START/PAUSE; când simbolul UȘĂ BLOCATĂ  se stinge, puteți deschide ușa. Apăsăți din nou butonul START/PAUSE pentru a relua programul de unde era oprit.
- 8. TERMINAREA PROGRAMULUI** La încheierea ciclului, pe ecran va apărea mesajul "END"; când simbolul UȘĂ BLOCATĂ  se stinge, puteți deschide ușa. Deschideți ușa, scoateți rufele și opriți mașina de spălat.

! Dacă doriți să anulați un ciclu deja activat, apăsați îndelung butonul . Ciclul se va întrerupe iar mașina se va opri.

## Tabel de programe

Programe	Descrierea Programului	Temp. max. (°C)	Viteza max. ( rotații pe minut)	Uscare	Detergenți				Sarcina Max. (kg)	Durata ciclului de spălare	
					Pre-spălare	Spălare	Decolorant	Balsam rufe			
<b>CLEAN Plus</b>											
1	Antipată	40°	1400	●	-	●	-	●	5	Puteți vizualiza durata programelor de spălare pe display.	
2	Antipată Rapid	40°	1200	●	-	●	-	●	4,5		
3	Albituri	60°	1400	●	-	●	-	●	5		
4	Standard Bumbac 60° (1) : albe și colorate rezistente foarte murdare.	60°	1400	●	-	●	●	●	8		
4	Standard Bumbac (+ prespălare): rufe albe foarte murdare.	90°	1400	●	●	●	-	●	8		
5	Standard Bumbac 40° (2) : colorate delicate puțin murdare.	40°	1400	●	-	●	●	●	8		
6	Sintetice: colorate rezistente foarte murdare.	60°	800	●	-	●	●	●	4		
<b>SPECIALS</b>											
7	Antialergic	60°	1400	●	-	●	●	●	5		
8	Lână: pentru lână, cașmir, etc.	40°	800	●	-	●	-	●	2		
9	Ultra Delicate	30°	0	●	-	●	-	●	1		
10	SPĂLARE RAPIDĂ 30': pentru a împrăști rapid articolele puțin murdare (nu este indicat pentru lână, mătase și articole de spălat cu mână).	30°	800	-	-	●	-	●	3,5		
11	Spală și Uscă 45'	30°	1400	●	-	●	-	●	1		
<b>DRYING</b>											
12	Bumbac	-	-	●	-	-	-	-	6		
13	Sintetice	-	-	●	-	-	-	-	4		
14	Lână	-	-	●	-	-	-	-	2		
<b>Parțiale</b>											
	Clătire	-	1400	●	-	-	-	●	8		
	Centrifugă + Golire	-	1400	●	-	-	-	-	8		
	Numai golire *	-	OFF	-	-	-	-	-	8		

\* Dacă selectați programul și excludeți centrifugarea, mașina va face doar evacuarea.

Durata ciclului indicată pe display sau în carte este calculată în baza unor condiții standard. Timpul efectiv poate varia în baza a numeroși factori, precum temperatura și presiunea apei la intrare, temperatura mediului, cantitatea de detergent, cantitatea și tipul încărcăturii, echilibrarea încărcăturii, opțiunile suplimentare selectate.

Pentru toate Instituțiile de Testare:

- Programul de control conform normei EN 50229: setați programul 4 cu o temperatură de 60°C.
- Program pentru bumbac, prelungit: setați programul 5 cu o temperatură de 40°C.

## Opțiuni de spălare

! Dacă opțiunea selectată nu este compatibilă cu programul ales, ledul corespunzător va semnaliza iar funcția nu se va activa.

! Dacă opțiunea selectată nu este compatibilă cu o altă opțiune, reglată anterior, ledul corespunzător primei opțiuni va emite un semnal intermitent și va fi activată numai a doua opțiune (ledul corespunzător acesteia se va aprinde).

### Eco

Funcția Eco contribuie la economia de energie, neîncălzind apa folosită pentru spălarea rufelor – un avantaj atât pentru mediul înconjurător, cât și pentru factura de curent electric. Într-adevăr, acțiunea mai puternică și consumul optimizat de apă garantează rezultate optime în aceeași durată medie a unui ciclu standard.

Pentru a obține rezultate mai bune ale spălării, se recomandă folosirea unui detergent lichid.

Seleționând și funcția de uscare, la sfârșitul spălării se va efectua în mod automat o uscare care contribuie și aceasta la economia de energie datorită combinației optime dintre temperatura aerului și durata ciclului.

! Se poate activa la programele 4 și 5.

### Pornire întârziată

Pentru a programa pornirea întârziată a mașinii, apăsați tasta respectivă pentru a alege timpul de întârziere dorit. Când opțiunea este activă, Indicatorul luminos rămâne aprins. Pentru a șterge pornirea întârziată, apăsați tasta până când pe ecran vedeți inscripția "OFF".

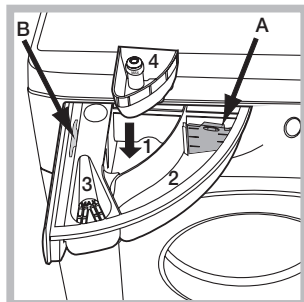
# Detergenți și rufe

RO

## Sertarul detergenților

Un rezultat bun la spălare depinde și de dozarea corectă a detergentului: excesul de detergent nu garantează o spălare mai eficientă, ci contribuie la în crustarea părților interne ale mașinii de spălat și la poluarea mediului înconjurător.

! Nu introduceți în mașină detergenții pentru spălarea manuală deoarece formează prea multă spumă.



Extrageți sertarul pentru detergenți și introduceți detergentul sau aditivul după cum urmează:

### compartment 1: Detergent pentru prespălare (sub formă de praf)

Înainte de a adăuga detergentul verificați ca sertarul adițional 4 să nu fie introdus.

### compartment 2: Detergent pentru spălare (sub formă de praf sau lichid)

Când utilizați detergent lichid este recomandat să folosiți peretele despărțitor **A** prevăzut pentru dozarea corectă. Pentru utilizarea de detergent praf puneți peretele despărțitor în cavitatea **B**.

### compartment 3: Aditivi (soluție de înmuiat, balsam rufe etc.)

Soluția de înmuiat nu trebuie să iasă deasupra grătarului.

### compartment adițional 4: Decolorant (Înălbitor)

## Pregătirea rufelor

- Subdivizați rufe în funcție de:
  - tipul de țesătură / simbolul de pe etichetă.
  - culori: separați rufe colorate de cele albe.
- Goliți buzunarele și controlați nasturii.
- Nu depășiți valorile indicate, referite la greutatea rufelor uscate: a se vedea "Tabel de programe".

### Cât cântăresc rufele?

- 1 cearceaf 400-500 g.
- 1 față de pernă 150-200 g.
- 1 față de masă 400-500 g.
- 1 halat de baie 900-1.200 g.
- 1 prosop 150-250 g.

## Programe particulare

**Antipată:** programul 1 este potrivit pentru rufe foarte murdare, cu culori rezistente. Programul asigură o clasă de spălare superioară față de clasa standard (clasa A). Nu efectuați programul amestecând rufe de culori diferite. Se recomandă folosirea unui detergent praf. Pentru petele dificile se recomandă pre-tratamentul cu aditivi specifici. Selecționând funcția de uscare, la sfârșitul spălării se va efectua în mod automat o uscare ca în aer liber cu avantajul că rufe nu se îngălbinesc din cauza razelor solare și nu devin gri din cauza prafului care ar putea fi în aer. Se pot programa doar uscări pe grade. Se recomandă utilizarea nivelului de uscare "A2".

**Antipată Rapid:** programul este conceput pentru spălarea rufelor cu pete zilnice, chiar rezistente, într-o oră. Adecvat pentru rufe colorate cu fibre mixte, garantând respectarea acestora. Selecționând funcția de uscare, la sfârșitul spălării se va efectua în mod automat o uscare ca în aer liber cu avantajul că rufe nu se îngălbinesc din cauza razelor solare și nu devin gri din cauza prafului care ar putea

fi în aer. Se pot programa doar uscări pe grade. Se recomandă utilizarea nivelului de uscare "A2".


**Albituri:** folosiți acest ciclu 3 pentru spălarea rufelor albe. Programul este conceput pentru a păstra strălucirea culorii albe în timp. Pentru rezultate mai bune, se recomandă folosirea unui detergent praf.

Selecționând funcția de uscare, la sfârșitul spălării se va efectua în mod automat o uscare ca în aer liber cu avantajul că rufe nu se îngălbinesc din cauza razelor solare și nu devin gri din cauza prafului care ar putea fi în aer. Se pot programa doar uscări pe grade.

**Antialergic:** folosiți programul 7 pentru îndepărtarea principalilor alergeni, cum ar fi polenul, acarienii din praf, părul de pisică și de câine.

**Lână:** ciclul de spălare „Lână” al acestei mașini de spălat a fost aprobat de Woolmark Company pentru spălarea articolelor de lână clasificate pentru „spălarea manuală”, cu condiția ca spălarea să se efectueze cu respectarea instrucțiunilor specificate pe eticheta articolului de îmbrăcăminte și a indicațiilor furnizate de producătorul acestei mașini de spălat. (M1127)



**Ultra Delicate:** folosiți programul 9 pentru spălarea rufelor foarte delicate, care au aplicații, cum ar fi strass sau paiete. Pentru a spăla articole din mătase și perdele, selecția ciclul 9 și reglați nivelul „Delicate” al opțiunii . Se recomandă să întoarceți pe dos rufe înainte de spălare și să introduceți articolele mici într-un sac special pentru spălarea rufelor delicate.

Pentru cele mai bune rezultate, vă recomandăm utilizarea unui detergent lichid pentru rufe delicate. Selecționând funcția de uscare bazată doar pe timp, la sfârșitul spălării va fi efectuată o uscare deosebit de delicată datorită unei mișcări ușoare și unui jet de aer la o temperatură controlată corespunzător.

Duratele recomandate sunt următoarele:

- 1 kg de material sintetic --> 150 min.
- 1 kg de material sintetic și bumbac --> 180 min.
- 1 kg de bumbac --> 180 min.

Gradul de uscare va depinde de încărcarea mașinii și de compoziția țesăturii.

**Spală și Usucă 45':** utilizați programul 11 pentru a spăla și usca rufe (Bumbac și Materiale Sintetice) nu foarte murdare în puțin timp. Alegând acest ciclu se pot spăla și usca max 1 kg de rufe în numai 45 de minute. Pentru a obține rezultate mai bune, folosiți un detergent lichid și, înainte a introduce rufe în mașină, puneți produsele de scos pete sau de albit pe gulere, manșete sau pete în general.

## Sistemul de echilibrare a sarcinii

Pentru a evita trepidațiile excesive, înainte de stoarcere, cuva mașinii va distribui cantitatea de rufe în mod uniform, centrifuga efectuând câteva rotații la o viteză mai mare decât viteza de spălare. Dacă, după numeroase încercări, mașina nu reușește să echilibreze greutatea, stoarcerea rufelor se va face la o viteză mai mică decât cea prevăzută în program. Dacă instabilitatea este prea mare, mașina va distribui greutatea în locul centrifugei. Pentru a favoriza o mai bună repartizare a rufelor și echilibrarea corectă a mașinii, se recomandă să introduceți în mașină atât articole mari cât și mici.

Se poate întâmpla ca mașina de spălat să nu funcționeze. Înainte de a apela serviciul de Asistență (*a se vedea Asistența*), verificați dacă nu este vorba de o problemă ușor de rezolvat:

## Anomalii:

**Mașina de spălat nu pornește.**

## Cauze posibile / Rezolvare:

- Ștecărul nu este introdus în priză de curent, sau nu face contact.
- Aveți o pană de curent la domiciliu.

**Ciclul de spălare nu pornește.**

- Ușa nu este bine închisă.
- Butonul ON/OFF nu a fost apăsată.
- Butonul START/PAUSE nu a fost apăsat.
- Robinetul de apă nu este deschis.
- A fost setată o întârziere față de ora pornirii.

**Mașina de spălat nu încarcă apă (Pe display este vizualizat scris "H2O").**

- Furtunul de alimentare cu apă nu este racordat la robinet.
- Furtunul este îndoit.
- Robinetul de apă nu este deschis.
- Apa la domiciliul dvs. este oprită.
- Apa nu are presiune suficientă.
- Butonul START/PAUSE nu a fost apăsat.

**Mașina de spălat încarcă și descarcă apă încontinuu.**

- Furtunul de golire nu a fost instalat la o înălțime cuprinsă între 65 și 100 cm de pământ (*a se vedea "Instalare"*).
- Capătul furtunului de evacuare este cufundat în apă (*a se vedea "Instalare"*).
- Evacuarea din perete nu are răsuflare pentru aer.

Dacă după aceste verificări problema nu se rezolvă, închideți robinetul de apă, stingeți mașina de spălat și chemați Asistența. Dacă locuința se află la ultimele etaje ale unui edificiu, este posibil să aibă loc fenomene de sifonare, motiv pentru care mașina de spălat încarcă și descarcă apă încontinuu. Pentru a elimina acest inconvenient, se găsesc în comerț supape anti-sifonare.

**Mașina de spălat nu se golește sau nu stoarce.**

- Programul nu prevede golirea apei: cu unele programe trebuie pornit manual.
- Furtunul de golire este îndoit (*a se vedea "Instalare"*).
- Conducta de descărcare este înfundată.

**Mașina de spălat vibrează foarte mult în timpul stoarcerii.**

- Cuva, în momentul instalării, nu a fost deblocată în mod corespunzător (*a se vedea "Instalare"*).
- Mașina de spălat este în pantă (*a se vedea "Instalare"*).
- Mașina de spălat este prea aproape de pereți și mobilier (*a se vedea "Instalare"*).

**Mașina de spălat pierde apă.**

- Furtunul de alimentare cu apă nu este bine înșurubat (*a se vedea "Instalare"*).
- Sertarul detergenților este înfundat (pentru a-l curăța *a se vedea "Întreținere și curățare"*).
- Furtunul de golire nu este bine fixat (*a se vedea "Instalare"*).

**Indicatoarele Opțiunilor și ale START/PAUSE luminează intermitent repede și display-ul afișează un cod de anomalie (ex.: F-01, F-..).**

- Opriti mașina și scoateți ștecărul din priză; așteptați aprox. 1 minut înainte de a o reaprinde.
- Dacă nu obțineți nici un rezultat, apelați Centrul de Service pentru asistență.

**Se formează prea multă spumă.**

- Detergentul nu este compatibil cu mașina de spălat (trebuie să fie scris "pentru mașina de spălat", "de mână și în mașina de spălat", sau ceva asemănător).
- Dozajul a fost excesiv.

**Mașina de spălat nu usucă.**

- Ștecherul nu este introdus sau nu a fost suficient introdus în priză de curent astfel încât să existe conexiune electrică.
- În casă nu este curent electric.
- Hubloul nu este bine închis.
- A fost fixată o întârziere de pornire.
- USCARE este poziționat în dreptul valorii OFF.

# Asistență

RO

## Înainte de a lua legătura cu Asistența:

- Verificați dacă puteți rezolva singuri problema (*a se vedea "Anomalii și remedii"*);
- Porniți din nou programul pentru a controla dacă inconvenientul a fost eliminat;
- În caz negativ, contactați un Centru de Asistență Tehnică.

! Nu apelați niciodată la persoane neautorizate.

## Comunicați:

- tipul de anomalie;
- modelul mașinii (Mod.);
- numărul de serie (S/N).

Aceste informații sunt specificate pe plăcuța cu date tehnice, lipită în partea din spate a mașinii de spălat precum și în partea anterioară, după ce deschideți ușa.

## Atenționări în conformitate cu legislația în vigoare

- Conform prevederilor legislației privind gestionarea deșeurilor, este interzisă eliminarea deșeurilor de echipamente electrice și electronice (DEEE) alături de deșeurile municipale nesortate. Ele trebuie predate la punctele municipale de colectare, societățile autorizate de colectare/reciclare sau distribuitori (în cazul în care se achiziționează echipamente noi de același tip).
- Autoritățile locale trebuie să asigure spațiile necesare pentru colectarea selectivă a deșeurilor precum și funcționalitatea acestora. Contactați societatea de salubritate sau compartimentul specializat din cadrul primăriei pentru informații detaliate.
- Deșeurile de echipamente electrice și electronice pot fi predate și distribuitorilor, la achiziționarea de echipamente noi de același tip (schimb 1 la 1).
- Predarea, de către utilizatori, a deșeurilor de echipamente electrice și electronice, la punctele de colectare municipale, societățile autorizate de colectare/reciclare sau distribuitori (în cazul în care se achiziționează echipamente noi de același tip) facilitează re folosirea, reciclarea sau alte forme de valorificare a acestora.
- Deșeurile de echipamente electrice și electronice pot conține substanțe periculoase care pot avea un impact negativ asupra mediului și sănătății umane în cazul în care DEEE nu sunt colectate selectiv și gestionate conform prevederilor legale.
- Simbolul alăturat (o pubela cu roți, barata cu două linii în forma de X), aplicat pe un echipament electric sau electronic, semnifică faptul că acesta face obiectul unei colectări separate și nu poate fi eliminat împreună cu deșeurile municipale nesortate.





# Руководство по эксплуатации


СТИРАЛЬНАЯ МАШИНА С СУШКОЙ

RU

RU

Русский

FDG 8640

 Этот символ напоминает Вам о необходимости консультации данного технического руководства.

## Содержание

### Монтаж, 74-75

Распаковка и выравнивание  
Подключение к водопроводной и электрической сети  
Первый цикл стирки  
Технические данные

### Техническое обслуживание и уход, 76

Отключение воды и электрического тока  
Уход за стиральной машиной  
Уход за распределителем моющих средств  
Уход за люком и барабаном  
Уход за насосом  
Проверка водопроводного шланга

### Предосторожности и рекомендации, 77

Общие требования по безопасности  
Утилизация  
Аварийное открытие люка

### Описание стиральной машины, 78-79

Консоль управления  
Дисплей

### Порядок выполнения цикла стирки и сушки, 80

### Программы и дополнительные функции, 81

Таблица программ  
Дополнительные функции стирки

### Стиральные порошки и белье, 82

Ячейка для стирального порошка  
Подготовка белья  
Специальные программы  
Система балансировки белья

### Неисправности и методы их устранения, 83

### Сервисное обслуживание, 84

#### Соответствие классов энергоэффективности

Информация о классе энергоэффективности, указанная на продукте	Класс энергоэффективности в соответствии с Российским законодательством
A	A
A+	A-10% (*)
A++	A-20% (*)
A+++	A-30% (*)
A+++ -10%	A-40% (*)
A+++ -20%	A-50% (*)

(\*) на данное количество процентов показатели энергоэффективности лучше, чем у класса "А", определенного нормативными документами Российской Федерации.

 Hotpoint  
ARISTON



# Установка

RU

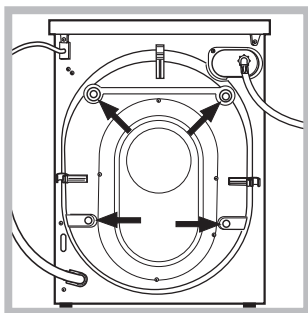
! Сохраните данное руководство. Оно должно быть в комплекте со стиральной машиной в случае продажи, передачи оборудования или при переезде на новую квартиру, чтобы новый владелец оборудования мог ознакомиться с правилами его функционирования и обслуживания.

! Внимательно прочитайте руководство: в нем содержатся важные сведения по установке и безопасной эксплуатации стиральной машины.

## Распаковка и выравнивание

### Распаковка

1. Распакуйте стиральную машину.
2. Убедитесь, что оборудование не было повреждено во время транспортировки. При обнаружении повреждений – не подключайте машину – свяжитесь с поставщиком немедленно.



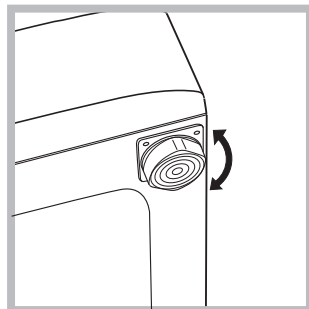
3. Удалите четыре транспортировочных винта и резиновые пробки с прокладками, расположенные в задней части стиральной машины (см. рис.).

4. Закройте отверстия прилагающимися пластиковыми заглушками.
5. Сохраняйте все детали: они Вам понадобятся при последующей транспортировке стиральной машины.

! Не разрешайте детям играть с упаковочными материалами.

### Выравнивание

1. Установите стиральную машину на ровном и прочном полу, так чтобы она не касалась стен, мебели и прочих предметов.



2. После установки машины на место отрегулируйте ее устойчивое положение путем вращения передних ножек (см. рис.). Для этого сначала ослабьте контргайку, после завершения регулировки контргайку затяните.

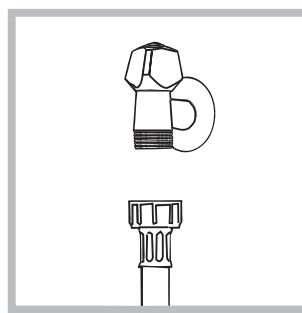
После установки машины на место проверьте по уровню горизонтальность верхней крышки корпуса, отклонение горизонтали должно быть не более 2°.

Правильное выравнивание оборудования поможет избежать шума, вибраций и смещений во время работы машины.

Если стиральная машина стоит на полу, покрытом ковром, убедитесь, что ее основание возвышается над ковром. В противном случае вентиляция будет затруднена или вовсе невозможна.

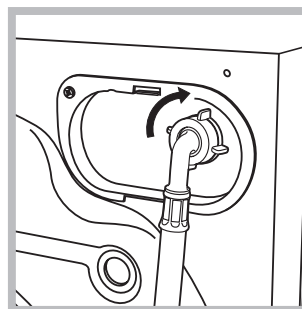
## Подключение к водопроводной и электрической сети

### Подсоединение заливного шланга



1. Прикрутите шланг подачи к крану холодной воды с резьбовым отверстием 3/4 gas (см. схему).

Перед подсоединением откройте водопроводный кран до тех пор, пока из него не потечет чистая вода.



2. Подсоедините заливной шланг к стиральной машине, навинтив его на водоприемник, расположенный в задней верхней части справа (см. рис.).

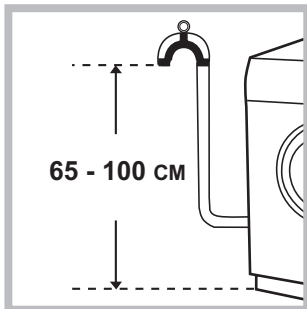
3. Убедитесь, что шланг не перекручен и не пережат.

! Давление воды должно быть в пределах значений, указанных в таблице Технических характеристик (см. с. 3).

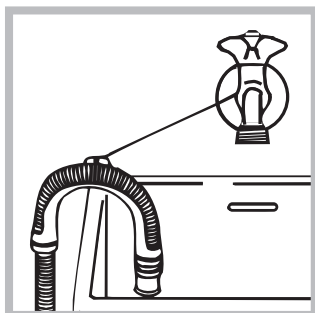
! Если длина водопроводного шланга окажется недостаточной, обратитесь в Авторизованный сервисный центр.

! Никогда не используйте шланги, бывшие в употреблении.

### Присоединение сливного шланга



Подсоедините сливной шланг, не сгибая его, к сливному трубопроводу или к настенному сливу, расположенному на высоте 65 – 100 см от пола.



Или поместите конец шланга в раковину или в ванну, прикрепив прилагающуюся направляющую к крану (см. схему). Свободный конец сливного шланга не должен быть погружен в воду.

! Не рекомендуется использовать удлинители для сливного шланга. При необходимости удлинение должно иметь такой же диаметр, что и оригинальный шланг, и его длина не должна превышать 150 см.

### Электрическое подключение

Перед подсоединением штепсельной вилки изделия к сетевой розетке необходимо проверить следующее:

- сетевая розетка должна быть заземлена и соответствовать нормативам;
- сетевая розетка должна быть рассчитана на максимальную мощность стиральной машины, указанную в таблице Технические данные (см. таблицу сбоку);
- напряжение электропитания должно соответствовать значениям, указанным в таблице Технические данные (см. таблицу сбоку);
- сетевая розетка должна быть совместимой со штепсельной вилкой стиральной машины. В противном случае необходимо заменить сетевую розетку или штепсельную вилку.

! Запрещается устанавливать стиральную машину на улице, даже под навесом, так как является опасным подвергать ее воздействию дождя и грозы.

! Стиральная машина должна быть расположена таким образом, чтобы доступ к сетевой розетке оставался свободным.

! Не используйте удлинители и тройники.


! Сетевая кабель изделия не должен быть согнут или сжат.

! Замена сетевого кабеля может осуществляться только уполномоченными техниками.

Внимание! Компания-производитель снимает с себя всякую ответственность в случае несоблюдения вышеописанных правил.

### Первый цикл стирки

По завершении установки, перед началом эксплуатации необходимо произвести один цикл стирки со стиральным веществом, но без белья, по программе «АВТООЧИСТКА» (см. «Уход за стиральной машиной»).

Технические данные	
Модель	FDG 8640
Страна-изготовитель	Италия
Габаритные размеры	ширина 59,5 см. высота 85 см. глубина 60,5 см.
Вместимость	От 1 до 8 кг белья для цикла стирки От 1 до 6 кг белья для цикла сушки
Номинальное значение напряжения электропитания или диапазон напряжения	220-240 V ~
Условное обозначение рода электрического тока или номинальная частота переменного тока	50 Hz
максимальную мощность	1850 W
Класс защиты от поражения электрическим током	Класс защиты I
Водопроводное подсоединение	максимальное давление 1 МПа (10 бар) минимальное давление 0,05 МПа (0,5 бар) емкость барабана 62 литра
Скорость отжима	до 1400 оборотов в минуту
Программы управления в соответствии с Директивой EN 50229	<b>Стирка:</b> программа 4; температура 60°C; загрузка 8 кг белья. <b>Сушка:</b> Сушка меньшего количества белья производится (2kg) по программе "A1" (Разглаживание); в загрузку белья должно входить 2 простыни, 1 наволочка и 1 полотенце; Сушка остального белья должна выполняться в режиме "A4" (EXTRA).
	Данное изделие соответствует следующим Директивам Европейского Сообщества: - 2004/108/CE (Электромагнитная совместимость); - 2006/95/CE (Низкое напряжение) - 2012/19/EU
	В случае необходимости получения информации по сертификатам соответствия или получения копий сертификатов соответствия на данную технику, Вы можете отправить запрос по электронному адресу cert.rus@indesit.com.
Дату производства данной техники можно получить из серийного номера, расположенного под штрих-кодом (S/N XXXXXXXXX), следующим образом	- 1-ая цифра в S/N соответствует последней цифре года, - 2-ая и 3-я цифры в S/N - порядковому номеру месяца года, - 4-ая и 5-ая цифры в S/N - день
Степень защиты от попадания твердых частиц и влаги, обеспечиваемая защитной оболочкой, за исключением низковольтного оборудования, не имеющего защиты от влаги: IPX4	
Класс энергопотребления	A

# Техническое обслуживание и уход

RU

## Отключение воды и электрического тока

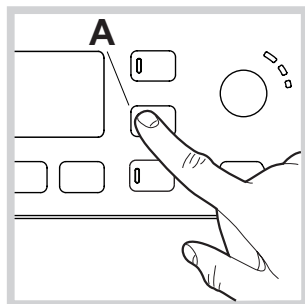
- Перекрывайте водопроводный кран после каждой стирки. Таким образом сокращается износ водопроводной системы машины и сокращается риск утечек.
- Выньте штепсельную вилку из электро розетки в процессе чистки и технического обслуживания стиральной машины.

## Уход за стиральной машиной

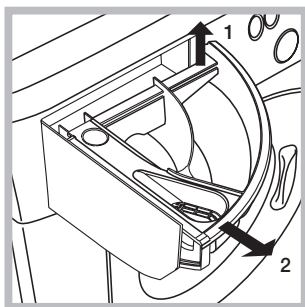
- Для чистки наружных и резиновых частей стиральной машины используйте тряпку, смоченную теплой водой с мылом. Не используйте растворители или абразивные чистящие средства.
- Стиральная машина укомплектована программой «**АВТООЧИСТКА**» внутренних деталей, которую необходимо **выполнять без какого-либо белья в барабане**.

Стиральное вещество (в объеме 10% от рекомендуемого для очень грязного белья) или специальные добавки для чистки стиральной машины можно использовать в качестве вспомогательных в программе стирки. Рекомендуется выполнять программу чистки машины каждые 40 циклов стирки. Для запуска программы нажмите кнопку **A** на 5 сек. (см. Схему).

Программа автоматически запустится и длится примерно 70 минут. Для остановки цикла нажмите кнопку START/PAUSE.



## Уход за распределителем моющих средств



Выньте распределитель, приподняв его и потянув наружу (см. схему). Промойте распределитель теплой водой. Эта операция должна выполняться регулярно.

## Уход за люком и барабаном

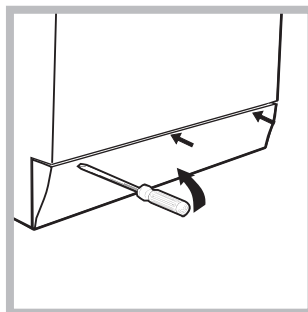
- После использования стиральной машины всегда следует оставлять люк полуоткрытым во избежание образования неприятных запахов в барабане.

## Уход за насосом

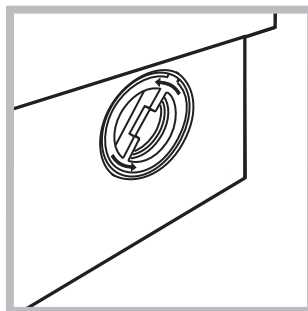
Стиральная машина оснащена самоочищающимся насосом, не нуждающимся в техническом обслуживании. Тем не менее мелкие предметы (монеты, пуговицы) могут упасть за кожух, предохраняющий насос, расположенный в его нижней части.

! Проверьте, чтобы цикл стирки завершился, и выньте штепсельную вилку из сетевой розетки.

Для доступа к кожуху:



1. снимите переднюю панель стиральной машины при помощи отвертки (см. схему);



2. отвинтите крышку, повернув ее против часовой стрелки (см. схему): небольшая утечка воды является нормальным явлением;

3. тщательно прочистите внутри кожуха;
4. завинтите крышку на место;
5. установите на место переднюю панель, проверив перед ее прикреплением к машине, чтобы крюки вошли в соответствующие петли.

## Проверка водопроводного шланга

Проверяйте шланг подачи воды не реже одного раза в год. При обнаружении трещин или разрывов шланга замените его: в процессе стирки сильное давление воды в водопроводе может привести к внезапному отсоединению шланга.

! Никогда не пользуйтесь б/у шлангами.

! Стиральная машина спроектирована и изготовлена в соответствии с международными нормативами по безопасности. Необходимо внимательно прочитать настоящие предупреждения, составленные в целях вашей безопасности.

## Общие требования к безопасности

- После использования машины **обязательно** отключайте ее от сети переменного тока и закрывайте водопроводный кран.
- Данное изделие предназначено исключительно для домашнего использования.
- Данное изделие может быть использовано детьми старше 8 лет и лицами с ограниченными физическими, сенсорными или умственными способностями или лицами, не обладающими достаточными знаниями, без контроля опытных лиц или без предварительного обучения правилам безопасного использования изделия и связанным с этим опасностям. Не разрешайте детям играть с изделием. Не поручайте детям обслуживание и уход за изделием без контроля взрослых.
  - Не сушите в машине грязные вещи.
  - Вещи, испачканные маслом для жарки, ацетоном, спиртом, бензином, керосином, пятновыводителями, трементином, воском и веществами для его удаления, необходимо выстирать в горячей воде с большим количеством стирального вещества перед их сушкой в сушильной машине.
  - Вещи из вспененного материала (латекс), шапочки для душа, водонепроницаемая ткань, изделия, одна сторона которых – резиновая, одежда или подушки, содержащие латекс, сушить в сушильной машине нельзя.
  - Ополаскиватель или подобные вещества следует использовать в соответствии с инструкциями производителя.
  - Завершающая часть цикла сушильной машины производится без нагрева (цикл охлаждения) во избежание повреждения вещей.

**ВНИМАНИЕ:** Никогда не останавливайте сушильную машину до окончания программы сушки. В этом случае сразу же выгрузите все вещи и развесьте их для быстрого охлаждения.

- Не прикасайтесь к изделию влажными руками, босиком или с мокрыми ногами.
- Не тяните за сетевой кабель для отсоединения штепсельной вилки изделия из сетевой розетки, возьмитесь за вилку рукой.
- Не прикасайтесь к сливаемой воде, так как она может быть очень горячей.
- Категорически запрещается пытаться открыть люк силой: это может привести к повреждению защитного механизма, предохраняющего от случайного открывания машины.
- В случае неисправности категорически запрещается открывать внутренние механизмы изделия с целью их самостоятельного ремонта.
- Следите, чтобы дети не приближались к работающей стиральной машине.
- Перемещать машину следует осторожно, вдвоем или троим. Никогда не перемещайте машину в одиночку, так как машина очень тяжелая.
- Перед помещением в стиральную машину белье проверьте, чтобы барабан был пуст.
- В процессе сушки люк стиральной машины может нагреваться.

- Не подвергайте автоматической сушке белье, выстиранное с применением возгораемых растворителей (например, триелина).
- Не сушите в автоматической сушке паралоновые изделия или подобные эластомеры.
- В процессе сушки проверьте, чтобы водопроводный кран был открыт.
- Не разрешайте детям младше 3 лет приближаться к сушильной машине без постоянного контроля.
- Выньте все предметы из карманов, такие как зажигалки и спички.

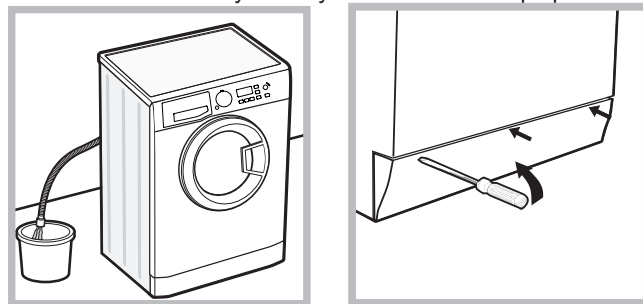
## Утилизация

- Уничтожение упаковочных материалов: соблюдайте местные нормативы с целью вторичного использования упаковочных материалов.
- Согласно Европейской Директиве 2012/19/EU касательно утилизации электронных и электрических электроприборов электроприборы не должны выбрасываться вместе с обычным городским мусором. Выведенные из строя приборы должны собираться отдельно для оптимизации их утилизации и рекуперации составляющих их материалов, а также для безопасности окружающей среды и здоровья. Символ «зачеркнутая мусорная корзина», имеющийся на всех приборах, служит напоминанием об их отдельной утилизации. За более подробной информацией о правильной утилизации бытовых электроприборов пользователи могут обратиться в специальную государственную организацию или в магазин.

## Аварийное открытие люка

Если по причине отключения электроэнергии невозможно открыть люк машины, чтобы выгрузить чистое белье, действуйте следующим образом:

1. выньте штепсельную вилку машины из электро розетки.



2. проверьте, чтобы уровень воды в машине был ниже отверстия люка. В противном случае слейте излишек воды через сливную трубу в ведро, как показано на схеме.
3. снимите переднюю панель стиральной машины при помощи отвертки (см. схему).

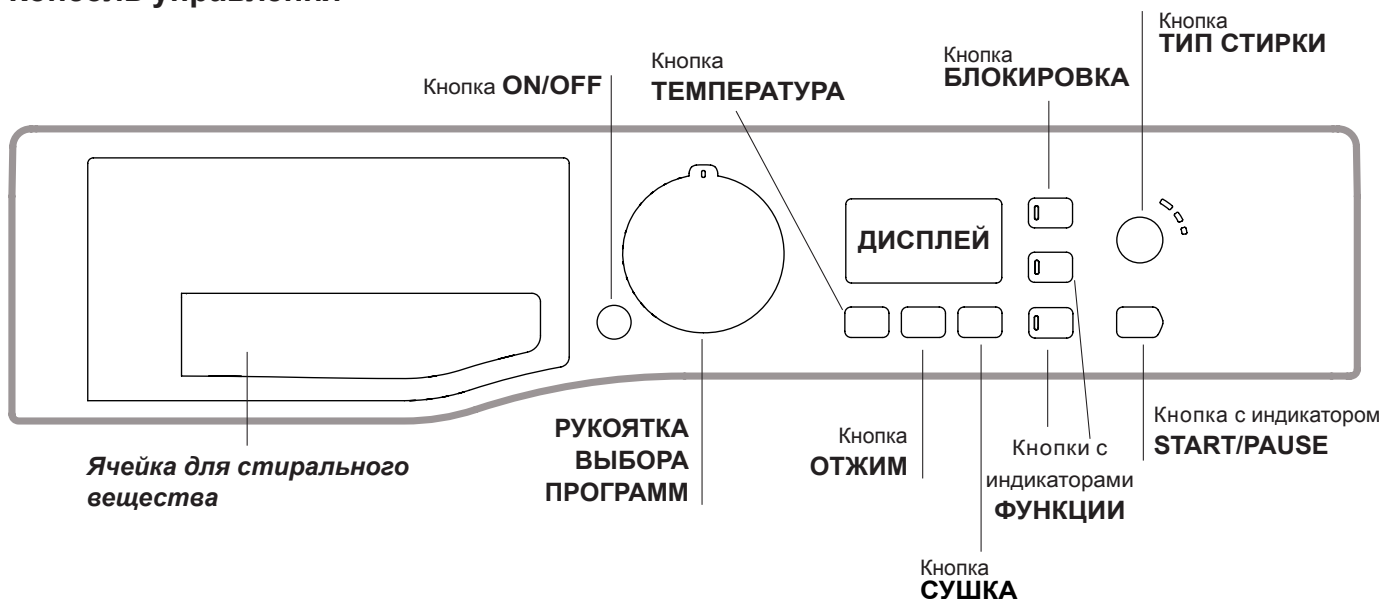


4. потяните наружу язычок, показанный на схеме, вплоть до освобождения пластикового блокировочного винта. Затем потяните его вниз и одновременно откройте люка.
5. установите на место переднюю панель, проверив перед ее прикреплением к машине, чтобы крючки вошли в соответствующие петли.


# Описание стиральной машины

RU

## Консоль управления




**Ячейки для стирального вещества:** для загрузки стиральных веществ и добавок (см. “Стиральные вещества и типы белья”).


Кнопка **ON/OFF** : быстро нажмите эту кнопку для включения или выключения машины. Индикатор **START/PAUSE**, редко мигающий зеленым цветом, означает, что машина включена. Для выключения стиральной машины в процессе стирки необходимо держать нажатой кнопку, примерно 3 секунды. Короткое или случайное нажатие не приведет к отключению машины. В случае выключения машины в процессе стирки текущий цикл отменяется.


**РУКОЯТКА ВЫБОРА ПРОГРАММ:** служит для выбора нужной программы (см. “Таблица программ”).

Кнопки и индикаторы **ДОПОЛНИТЕЛЬНЫЕ ФУНКЦИИ:** служат для выбора имеющихся дополнительных функций. Индикатор, соответствующий выбранной функции, останется включенным.


Кнопка **ТИП СТИРКИ** : нажмите для выбора желаемой интенсивности стирки.

Кнопка **ТЕМПЕРАТУРА** : нажмите эту кнопку для понижения температуры или полного исключения нагрева – значение показывается на дисплее.

Кнопка **ОТЖИМ** : нажмите эту кнопку для сокращения скорости или полного исключения отжима – значение показывается на дисплее.

Кнопка **СУШКА** : нажмите для сокращения продолжительности или исключения сушки; выбранный режим и продолжительность сушки показываются на дисплее (см. «Порядок выполнения цикла стирки и сушки»).

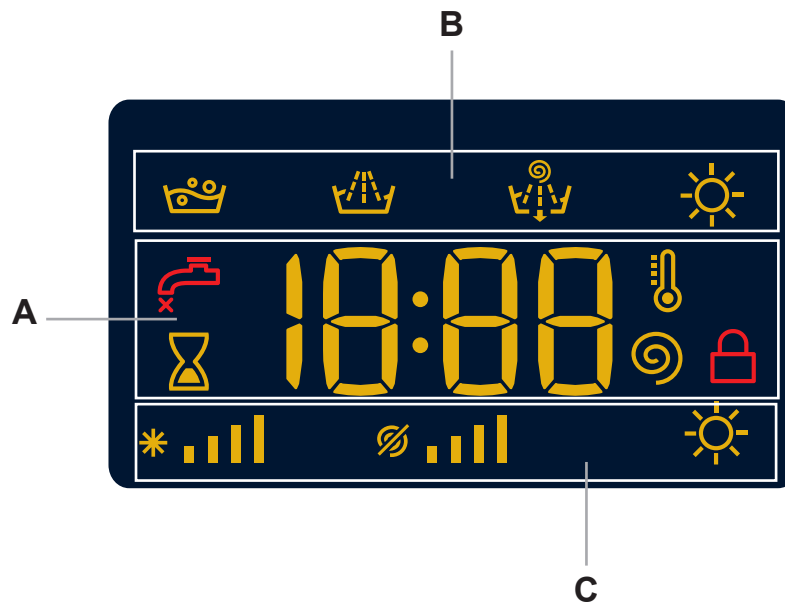
Кнопка с индикатором **START/PAUSE**: когда зеленый индикатор редко мигает, нажмите кнопку для запуска цикла стирки. После пуска цикла индикатор перестает мигать. Для прерывания стирки вновь нажмите эту кнопку; индикатор замигает оранжевым цветом. Если символ  не горит, можно открыть люк машины. Для возобновления стирки с момента, когда она была прервана, вновь нажмите эту кнопку.

Кнопка **БЛОКИРОВКА:** для включения блокировки консоли управления держите кнопку нажатой примерно 2 секунды. Включенный  символ означает, что консоль управления заблокирована (за исключением кнопки **ON/OFF**). Таким образом, программа не может быть случайно изменена, особенно если в доме дети. Для отключения блокировки консоли управления держите кнопку нажатой примерно 2 секунды.

### Режим ожидания

Настоящая стиральная машина отвечает требованиям новых нормативов по экономии электроэнергии, укомплектована системой автоматического отключения (режим сохранения энергии), включающейся через 30 минут простоя машины. Нажмите один раз кнопку **ON/OFF** и подождите, пока машина вновь включится.

## Дисплей



Дисплей служит для программирования машины и предоставляет пользователю множество сведений.

В секторе **A** показывается продолжительность различных имеющихся программ и, после запуска цикла, время, остающееся до завершения программы (На дисплее показывается максимальная продолжительность выбранного цикла, которую можно сократить по прошествии нескольких минут, так как фактическая продолжительность программы варьирует в зависимости от веса загруженного белья и от заданных настроек). Если был задан ТАЙМЕР ОТСРОЧКИ, на дисплее показывается время, остающееся до запуска выбранной программы. Кроме того при помощи соответствующей кнопки на дисплее показываются максимальные значения температуры, скорости отжима, режим или продолжительность сушки, которые машина может выполнить в зависимости от заданной программы.

В секторе **B** показываются фазы стирки выбранной программы стирки и, после запуска программы, текущую фазу программы:

- Стирка
- Полоскание
- Отжим / Слив
- Сушка

В секторе **C** показываются слева направо символы “температура”, “отжим” и “Сушка”.

Полоски “температуры” \* показывают максимальный температурный уровень, который может быть задан для выбранной программы.

Полоски “отжима” показывают максимальную скорость отжима, которая может быть задана для выбранной программы.

Символ загорается в процессе программирования сушки.


### Индикатор ЛЮК ЗАБЛОКИРОВАН

Включенный символ означает, что люк заблокирован. Во избежание повреждений, перед тем как открыть люк, необходимо дождаться, пока погаснет этот символ.

Если требуется открыть люк после запуска цикла, нажмите кнопку START/PAUSE. Когда погаснет индикатор ЛЮК ЗАБЛОКИРОВАН , можно открыть люк.



# Порядок выполнения цикла стирки

RU

- 1. ПОРЯДОК ВКЛЮЧЕНИЯ МАШИНЫ.** Нажмите кнопку ; индикатор START/PAUSE редко мигает зеленым цветом.
- 2. ЗАГРУЗКА БЕЛЬЯ.** Откройте люк машины. Загрузите в барабан белье, не превышая максимальный допустимый вес, указанный в таблице программ на следующей странице.
- 3. ДОЗИРОВКА СТИРАЛЬНОГО ВЕЩЕСТВА**  
Выньте дозатор и поместите стиральное вещество в специальные ячейки, как описано в разделе «Стиральные вещества и типы белья».
- 4. ЗАКРОЙТЕ ЛЮК.**
- 5. ВЫБОР ПРОГРАММЫ.** При помощи рукоятки выбора ПРОГРАММ выберите нужную программу; в данной программе задана температура и скорость отжима, которые можно изменить. На дисплее показывается продолжительность данного цикла.
- 6. ПЕРСОНАЛИЗИРОВАННЫЕ ЦИКЛЫ СТИРКИ.**

Нажмите соответствующие кнопки:

## Измените температуру и/или скорость отжима.

Машина автоматически показывает на дисплее максимальные температуру и скорость отжима, предусмотренные для выбранной программы, или последние выбранные значения, если они совместимы с выбранной программой. При помощи кнопки  можно постепенно уменьшить температуру вплоть до стирки в холодной воде «OFF». При помощи кнопки  можно постепенно уменьшить скорость отжима вплоть до его исключения «OFF». При еще одном нажатии этих кнопок вернутся максимальные допустимые значения.

! Исключение: при выборе программы 4 температура может быть увеличена до 90°C (+ Предварительная стирка).

## Программирование сушки

При первом нажатии кнопки машина автоматически выбирает максимальный режим сушки, совместимый с выбранной программой. При последующих нажатиях кнопки режим уменьшается и, следовательно, сокращается продолжительность сушки вплоть до ее исключения «OFF».

Можно выбрать следующие режимы сушки:

**A-** по требуемому уровню сушки белья:

**Разглаживание "A1":** рекомендуется для белья, которое затем требуется гладить. Степень остаточной влажности смягчает складки и делает глажку более легкой.

**На вешалку "A2":** идеально подходит для вещей, не нуждающихся в полной сушке.

**В шкаф "A3":** подходит для белья, сразу складываемого в шкаф без глажки.


**Extra "A4":** подходит для белья, нуждающегося в полной сушке, такого как махровые полотенца и халаты.

**B** - По продолжительности: от **30** до **180** минут.

В случае, если вес белья, предназначенного для стирки и сушки, превышает максимальную допустимую загрузку (смотрите таблицу сбоку), выполните цикл стирки, и по его завершении, разделите белье на части и производите его сушку частями. Затем следуйте инструкциям, описывающим функцию «Только сушка». Повторите те же операции для сушки оставшегося белья.

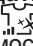
**ПРИМЕЧАНИЕ:** по завершении сушки всегда производится цикл охлаждения белья.

## Только сушка



При помощи рукоятки выбора программ выберите режим сушки (12-13-14) в зависимости от типа белья. Можно также выбрать нужный режим или продолжительность сушки при помощи кнопки СУШКА .

При выборе рукояткой программ режима сушки х/б белья и нажав кнопку «Есо», выполняется автоматическая сушка, обеспечивающая энергосбережение за счет оптимального сочетания температуры воздуха и продолжительности цикла; на дисплее показывается режим сушки «A2».

## Как задать нужную интенсивность стирки.

Кнопка  позволяет оптимизировать стирку в зависимости от степени загрязнения белья и нужной интенсивности стирки.

Выберите программу стирки, цикл автоматически выбирает режим «Normal», оптимизированный для менее загрязненного белья (выбор недействителен для цикла «Шерсть», который автоматически выбирает режим «Delicate»).

Для очень грязного белья нажмите кнопку  вплоть до нахождения режима «Intensive». Этот режим обеспечивает высокоэффективную стирку благодаря использованию большего объема воды в начальной фазе цикла и более интенсивного механического движения, а также служит для удаления трудновыводимых пятен. Может использоваться как с отбеливателем, так и без него. При использовании отбеливателя вставьте дополнительный прилагающийся дозатор 4 в дозатор 1. Не превышайте «max.» уровень, указанный на стержне в центре (см. схему на стр. 82). Для белья с незначительным загрязнением или для более деликатной стирки белья нажмите кнопку  вплоть до выбора режима «Delicate». Цикл сокращает механическое действие для обеспечения отличных результатов стирки деликатного белья.




## Измените параметры цикла.


- Нажмите кнопку для активации дополнительной функции; индикатор соответствующей кнопки загорится.
- Вновь нажмите кнопку для отключения дополнительной функции, индикатор погаснет.

! Если выбранная дополнительная функция является несовместимой с заданной программой, индикатор будет мигать, и такая функция не будет активирована.

! Если выбранная дополнительная функция несовместима с ранее активированной функцией, индикатор соответствующий первой активированной функции замигает, и будет активирована только вторая функция, индикатор активированной функции загорится.

! Дополнительные функции могут изменить рекомендуемую загрузку машины и/или продолжительность цикла.

- 7. ЗАПУСК ПРОГРАММЫ** Нажмите кнопку START/PAUSE. Соответствующий индикатор загорится зеленым светом, и люк заблокируется (символ ЛЮК ЗАБЛОКИРОВАН  загорится). Для изменения программы в процессе выполнения цикла переключите машину в режим паузы при помощи кнопки START/PAUSE (индикатор START/PAUSE редко мигает оранжевым цветом). Затем выберите новый цикл и вновь нажмите кнопку START/PAUSE. Если требуется открыть люк после пуска цикла, нажмите кнопку START/PAUSE. Когда погаснет индикатор ЛЮК ЗАБЛОКИРОВАН , можно открыть люк. Вновь нажмите кнопку START/PAUSE для возобновления программы с момента, в который она была прервана.
- 8. ЗАВЕРШЕНИЕ ПРОГРАММЫ.** Показывается сообщением «на дисплее «END». После того, как погаснет символ ЛЮК ЗАБЛОКИРОВАН , можно будет открыть люк. Откройте люк, выгрузите белье и выключите машину.

! Если требуется отменить текущий цикл стирки, держите нажатой кнопку  несколько секунд. Цикл прервется, и машина выключится.



# Программы и дополнительные функции

Таблица программ

Программы	Описание программы	Макс. темп. (°C)	Макс. скорость оборотов в минуту	Сушка	Стиральные вещества и добавки				Макс. загрузка (кг)	Продолжительность цикла	
					Предварительная стирка	Стирка	Отбеливатель	Ополаскиватель			
<b>CLEAN Plus</b>											
1	УДАЛЕНИЕ ПЯТЕН	40°	1400	●	-	●	-	●	5	Продолжительность программ стирки можно проверить по дисплею.	
2	ПЯТНА ЭКСПРЕСС	40°	1200	●	-	●	-	●	4,5		
3	СВЕТЛЫЕ ТКАНИ	60°	1400	●	-	●	-	●	5		
4	ХЛОПОК СТАНДАРТ. (1): сильнозагрязнённое белое и прочно окрашенное цветное бельё.	60°	1400	●	-	●	●	●	8		
4	ХЛОПОК СТАНДАРТ. (+ Предварительная стирка): стирка с замачиванием.	90°	1400	●	●	●	-	●	8		
5	ХЛОПОК СТАНДАРТ. (2): сильнозагрязнённое белое и прочно окрашенное цветное бельё.	40°	1400	●	-	●	●	●	8		
6	СИНТЕТИКА: интенсивная стирка	60°	800	●	-	●	●	●	4		
<b>SPECIALS</b>											
7	АНТИ-АЛЛЕРГИЯ	60°	1400	●	-	●	●	●	5		
8	ШЕРСТЬ: шерсть, кашемир и т.д.	40°	800	●	-	●	-	●	2		
9	ДЕЛИКАТНАЯ СТИРКА	30°	0	●	-	●	-	●	1		
10	БЫСТРАЯ СТИРКА 30': Для быстрого освежения малозагрязнённого белья (не для шерсти, шелка и изделий ручной стирки).	30°	800	-	-	●	-	●	3,5		
11	СТИРКА И СУШКА 45'	30°	1400	●	-	●	-	●	1		
<b>DRYING</b>											
12	ХЛОПОК	-	-	●	-	-	-	-	6		
13	СИНТЕТИКА	-	-	●	-	-	-	-	4		
14	ШЕРСТЬ	-	-	●	-	-	-	-	2		
<b>Дополнительные программы</b>											
	ПОЛОСКАНИЕ	-	1400	●	-	-	-	●	8		
	ОТЖИМ+СЛИВ	-	1400	●	-	-	-	-	8		
	Только слив *	-	OFF	-	-	-	-	-	8		

\* При выборе программы с исключением отжима машина выполняет только слив.

Продолжительность цикла, показанная на дисплее или указанная в инструкциях является расчетом, сделанным на основании стандартных условий. Фактическая продолжительность может варьировать в зависимости от многочисленных факторов таких как температура и давление воды на подаче, температура помещения, количество моющего средства, количество и тип загруженного белья, балансировка белья, выбранные дополнительные функции.

Для всех институтов тестирования:

1) Программы управления в соответствии с Директивой EN 50229: задайте программу 4 с температурой 60°C.

2) Длинная программа для х/б белья: задайте программу 5 с температурой 40°C.

## Дополнительные функции стирки

! Если выбранная дополнительная функция является несовместимой с заданной программой, индикатор будет мигать, и такая функция не будет активирована.

! Если выбранная дополнительная функция несовместима с ранее активированной функцией, индикатор соответствующий первой активированной функции замигает, и будет активирована только вторая функция, индикатор активированной функции загорится.

### Эко

Функция "Эко" позволяет экономить энергию за счет отсутствия необходимости подогрева воды для стирки белья – неосценимого преимущества как для окружающей среды, так и для счета за электроэнергию. Действительно, усиленное действие и оптимальное потребление воды гарантируют отличный результат за ту же продолжительность стандартного цикла.

Для более эффективной стирки рекомендуется использовать жидкое моющее средство

При выборе также функции сушки по завершении стирки автоматически выполняется сушка, которая так же способствует энергосбережению благодаря оптимальному сочетанию температуры воздуха и продолжительности цикла.

! Активируется в программах 4 и 5.

### ОТСРОЧКА ПУСКА

Для программирования пуска выбранной программы с задержкой нажмите соответствующую кнопку вплоть до получения нужного времени задержки. Когда включена эта функция, соответствующий индикатор горит. Для отмены запуска с задержкой нажмите кнопку несколько раз до тех пор, пока на дисплее не появится "OFF".

! Эта функция совместима с любой программой.

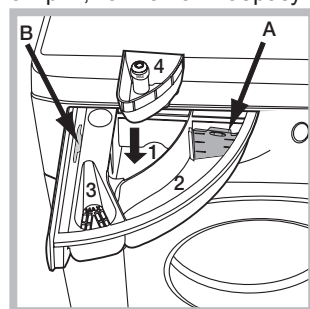
# Стиральные вещества и типы белья

RU

## Ячейка для стирального вещества

Хороший результат стирки зависит также от правильной дозировки стирального вещества: избыток стирального вещества не гарантирует более эффективную стирку, напротив, способствует образованию налетов внутри стиральной машины и загрязнению окружающей среды.

**! Не используйте стиральные вещества для ручной стирки, так как они образуют слишком много пены.**



Выньте ячейку и поместите в нее стиральное вещество или добавку в следующем порядке.

### Отделение 1: моющее средство для предварительной стирки (порошок)

Перед засыпкой стирального порошка убедитесь, что отделение 4

для отбеливателя в нём не установлено.

### Отделение 2: моющее средство для стирки (порошок или жидкое)

В случае использования жидкого стирального вещества рекомендуется использовать прилагающийся дозатор **A** для правильной дозировки. Для использования стирального порошка вставьте дозатор в нишу **B**.

### Отделение 3: добавки (ополаскиватель и т.д.)

Не наливайте ополаскиватель выше решетки отделения.

### Дополнительное отделение 4: отбеливатель

## Подготовка белья

- Разделите белье по следующим признакам:
  - тип ткани / обозначения на этикетке
  - цвет: отделите цветное белье от белого.
- Выньте из карманов все предметы и проверьте пуговицы.
- Не превышайте значения, указанные в «*Таблице программ*», указывающие вес сухого белья:

### Сколько весит белье?

- 1 простыня 400-500 гр.
- 1 наволочка 150-200 гр.
- 1 скатерть 400-500 гр.
- 1 халат 900-1200 гр.
- 1 полотенце 150-250 гр.

## Специальные программы

**УДАЛЕНИЕ ПЯТЕН:** программа **1** для стирки очень грязного белья. Программа обеспечивает уровень стирки выше стандартного (уровень A). Не пользуйтесь этой программой, при стирке белья разных цветов. Рекомендуется использовать стиральный порошок. Для трудновыводимых пятен рекомендуется обработать их специальными добавками.

При выборе функции сушки по завершении стирки автоматически выполняется сушка, как на улице с преимуществом отсутствия пожелтения тканей, вызванного солнечными лучами, сохранения белизны по причине отсутствия пыли, обычно присутствующей на улице. Можно задать сушку только по режимам. Рекомендуется степень сушки «**A2**».

**ПЯТНА ЭКСПРЕСС:** эта программа создана для стирки одежды даже с самыми трудновыводимыми пятнами суточной давности за один час. Подходит для цветного белья из разных материалов, обеспечивая его максимальную сохранность.

При выборе функции сушки по завершении стирки автоматически выполняется сушка, как на улице с преимуществом отсутствия пожелтения тканей,

вызванного солнечными лучами, сохранения белизны по причине отсутствия пыли, обычно присутствующей на улице. Можно задать сушку только по режимам. Рекомендуется степень сушки «**A2**».

**СВЕТЛЫЕ ТКАНИ:** используйте эту программу **3** для стирки белого белья. Программа рассчитана на сохранения цвета белого белья после стирок. Для оптимизации результатов рекомендуется использовать стиральный порошок.

При выборе функции сушки по завершении стирки автоматически выполняется сушка, как на улице с преимуществом отсутствия пожелтения тканей, вызванного солнечными лучами, сохранения белизны по причине отсутствия пыли, обычно присутствующей на улице. Можно задать сушку только по режимам.

**АНТИ-АЛЛЕРГИЯ:** используйте программу **7** для удаления основных аллергенов таких как пыльца, чесоточный клещ, собачья или кошачья шерсть.

**Шерсть:** Цикл стирки «Шерсть» данной стиральной машины получил утверждение Компании Woolmark для стирки шерстяных изделий, имеющих классификацию «ручная стирка», при условии, что стирка выполняется согласно инструкциям, указанным на этикетке вещи, и инструкций поставщика настоящей стиральной машины. (M1127).



**ДЕЛИКАТНАЯ СТИРКА:** используйте программу **9** для стирки очень деликатного белья со стразами или блестками. Для стирки **шелковых** изделий и **занавесок** выберите цикл **9** и задайте в режиме «*Delicate*» дополнительную функцию

Рекомендуется вывернуть наизнанку белье перед стиркой и поместить мелкое белье в специальный мешочек для стирки деликатного белья. Для оптимизации результатов рекомендуется использовать жидкое стиральное вещество для деликатного белья.

При выборе режима сушки только по времени по завершении стирки выполняется особо деликатная сушка за счет легкого вращения барабана и потока воздуха с температурой, контролируемой особым образом.

Рекомендуемая продолжительность:

- 1 кг синтетического белья --> 150 мин.
- 1 кг синтетического и х/б белья --> 180 мин.
- 1 кг х/б белья --> 180 мин.

Степень сушки зависит от объема загруженного белья и от типа белья.

**Стирка+Сушка 45':** используйте программу **11** для стирки и сушки белья (х/б и синтетического) с незначительным загрязнением с небольшой продолжительностью цикла. При выборе этого режима можно постирать и высушить вплоть до 1 кг белья всего за 45 минут. Для получения оптимальных результатов используйте жидкое стиральное вещество; предварительно обработайте манжеты, воротнички рубашек и пятна.

## Система балансировки белья

Перед каждым отжимом во избежание чрезмерных вибраций и для равномерного распределения белья в барабане машина производит вращения со скоростью, слегка превышающей скорость стирки. Если после нескольких попыток белье не будет правильно сбалансировано, машина произведет отжим на меньшей скорости по сравнению с предусмотренной. В случае чрезмерной разбалансировки машина выполнит распределение белья вместо отжима. Для оптимизации распределения белья и его правильной балансировки рекомендуется перемешать мелкое белье с крупным.

# Неисправности и методы их устранения

Если ваша стиральная машина не работает. Прежде чем обратиться в Центр Сервисного обслуживания (см. *Сервисное обслуживание*), проверьте, можно ли устранить неисправность, следуя рекомендациям, приведенным в следующем перечне.

## Неисправности:

Стиральная машина не включается.

## Возможные причины / Методы устранения:

- Штепсельная вилка не вставлена в сетевую розетку или отходит и не обеспечивает контакта.
- В доме отключено электричество.

Цикл стирки не запускается.

- Люк машины закрыт неплотно.
- Не была нажата кнопка ON/OFF.
- Не была нажата кнопка START/PAUSE.
- Перекрыт водопроводный кран.
- Был запрограммирован запуск с задержкой.

Стиральная машина не заливает воду (На дисплее мигает надпись "H2O").

- Водопроводный шланг не подсоединен к крану.
- Шланг согнут.
- Перекрыт водопроводный кран.
- В доме нет воды.
- Недостаточное водопроводное давление.
- Не была нажата кнопка START/PAUSE.

Машина непрерывно заливает и сливает воду.

- Сливной шланг не находится на высоте 65 – 100 см. от пола (см. *"Установка"*).
  - Конец сливного шланга погружен в воду (см. *"Установка"*).
  - Настенное сливное отверстие не оснащено вантузом для выпуска воздуха.
- Если после вышеперечисленных проверок неисправность не будет устранена, следует перекрыть водопроводный кран, выключить стиральную машину и обратиться в Центр Сервисного Обслуживания. Если ваша квартира находится на последних этажах здания, могут наблюдаться явления сифона, поэтому стиральная машина производит непрерывный залив и слив воды. Для устранения этой аномалии в продаже имеются специальные клапаны против явления сифона.

Стиральная машина не сливает воду и не отжимает белье

- Выбранная программа не предусматривает слив воды: для некоторых программ необходимо включить слив вручную.
- Сливной шланг согнут (см. *"Установка"*).
- Засорен сливной трубопровод.

Стиральная машина сильно вибрирует в процессе отжима.

- В момент установки стиральной машины барабан был разблокирован неправильно (см. *"Установка"*).
- Стиральная машина установлена неровно (см. *"Установка"*).
- Машина зажата между стеной и мебелью (см. *"Установка"*).

Утечки воды из стиральной машины.

- Плохо прикручен водопроводный шланг (см. *"Установка"*).
- Засорен дозатор стирального вещества (порядок его чистки см. в параграфе *"Техническое обслуживание и уход"*).
- Сливной шланг плохо закреплен (см. *"Установка"*).

Индикаторы дополнительных функций и индикатор «START/PAUSE» часто мигают, на дисплее показывается код аномалии (например: F-01, F-..).

- Выключите машину и выньте штепсельную вилку из сетевой розетки, подождите 1 минуту и вновь включите машину. Если неисправность не устраняется, обратитесь в Центр Сервисного Обслуживания.

В процессе стирки образуется слишком обильная пена.

- Стиральное вещество непригодно для стирки в стиральной машине (на упаковке должно быть указано "для стирки в стиральной машине", "для ручной и машинной стирки" или подобное).
- В дозатор было помещено чрезмерное количество стирального вещества.

Стиральная машина не производит сушку.

- Штепсельная вилка не соединена с электро розеткой или отходит и не обеспечивает контакта.
- В доме отключено электричество.
- Люк машины закрыт неплотно.
- Была запрограммирована задержка запуска цикла.
- СУШКА находится в положении OFF.

Мы заботимся о своих покупателях и стараемся сделать сервисное обслуживание наиболее качественным. Мы постоянно совершенствуем наши продукты, чтобы сделать Ваше общение с техникой простым и приятным.

#### Уход за техникой

Продлите срок эксплуатации и снизьте вероятность поломки техники.

Воспользуйтесь профессиональными средствами для ухода за техникой от Indesit Professional для наиболее простого, эффективного и легкого ухода за Вашей бытовой техникой.

Продукты Indesit Professional производятся в Италии с соблюдением высоких европейских стандартов в области качества, экологии и безопасности использования и созданы с учетом многолетнего опыта производителя техники. Узнайте подробнее на сайте [www.hotpoint-ariston.com](http://www.hotpoint-ariston.com) в разделе «Сервис» и спрашивайте в магазинах Вашего города.

#### Авторизованные сервисные центры

Чтобы быть ближе к нашим потребителям, мы создали широкую сервисную сеть, особенностью которой является высокая подготовка, профессионализм и честность сервисных мастеров. На сегодняшний день она насчитывает около 350 сервисных центров на территории России и СНГ.

Их контакты Вы можете найти в сервисном сертификате и на сайте [www.hotpoint-ariston.com](http://www.hotpoint-ariston.com) в разделе «Сервис».

#### Если вам надо обратиться в сервисный центр:

**Внимание! При ремонте требуйте использования оригинальных запасных частей.**

#### Перед тем как обратиться в Службу Сервиса:

- Проверьте, нельзя ли устранить неисправность самостоятельно (см. «Неисправности и методы их устранения»);
- Вновь запустите программу для проверки исправности машины;
- В противном случае обратитесь в Авторизованный Сервисный Центр по телефонам, указанным в гарантийном таллоне.

! Никогда не обращайтесь к неавторизованным сервисным центрам.

#### При обращении в Сервисную Службу необходимо сообщить:

- тип неисправности;
- номер гарантийного документа (сервисной книжки, сервисного сертификата и т.п.);
- модель машины (Мод.) и серийный номер (S/N), указанные в информационной табличке, расположенной на задней панели стиральной машины.

Другую полезную информацию и новости Вы можете найти на сайте [www.hotpoint-ariston.com](http://www.hotpoint-ariston.com) в разделе «Сервис».

#### Производитель:

Indesit Company  
Виале А. Мерлони 47, 60044, Фабриано (АН), Италия

#### Импортер:

ООО «Индезит РУС»

#### С вопросами (в России) обращаться по адресу:

до 01.01.2011: Россия, 129223, Москва, Проспект Мира, ВВЦ, пав. 46  
с 01.01.2011: Россия, 127018, Москва, ул. Двинцев, дом 12, корп. 1

Indesit Company Spa  
Viale Aristide Merloni, 47  
60044 Fabriano (AN)  
Italy  
[www.hotpoint.eu](http://www.hotpoint.eu)