



ARISTON

SPARE PARTS EXPLODED VIEW GAS-WALL CONDENSING BOILERS

Model

ALTEAS ONE - GENUS ONE

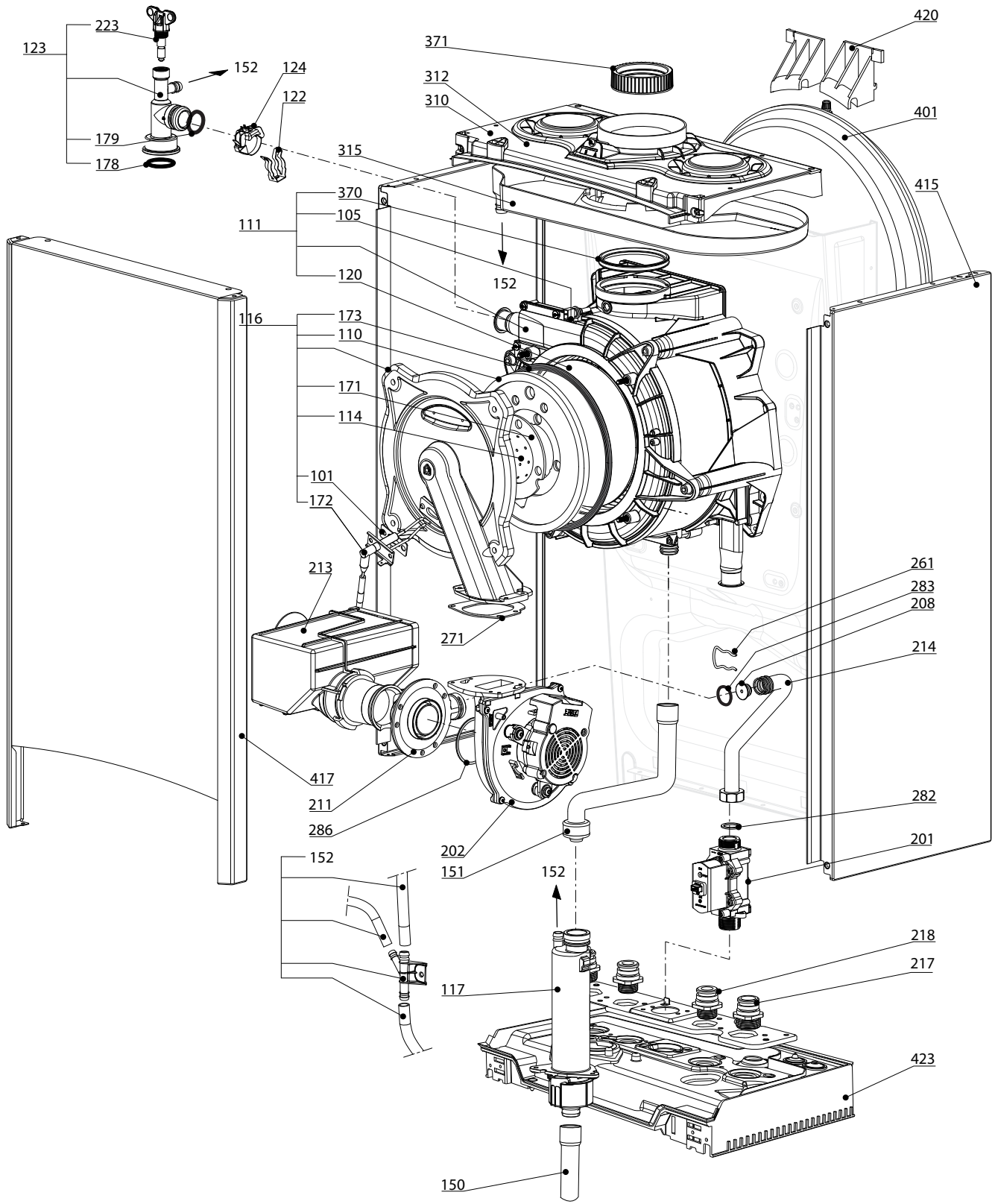
R8203485-07 - 15/02/2019

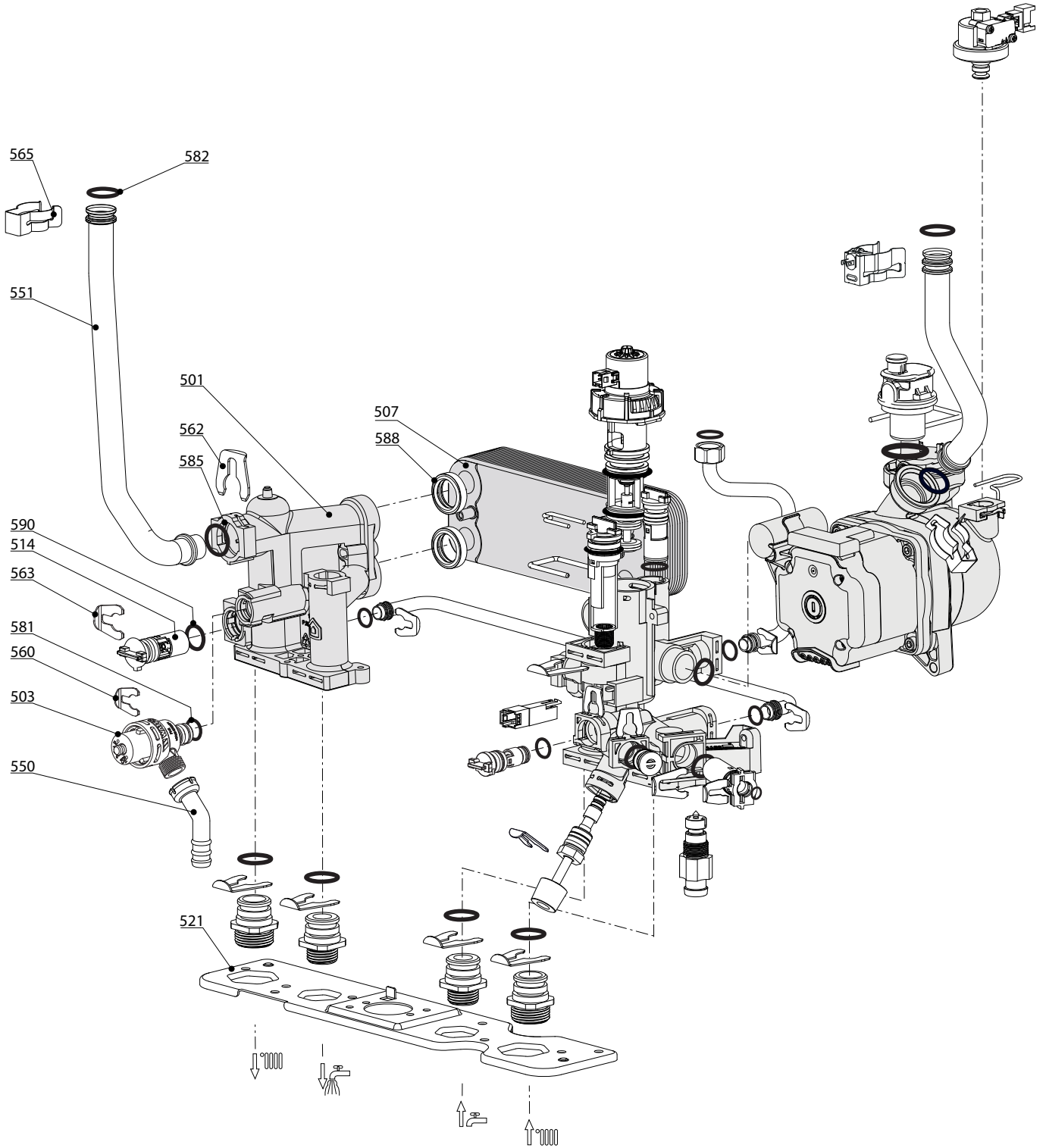
ALTEAS ONE - GENUS ONE

Gas-wall condensing boilers

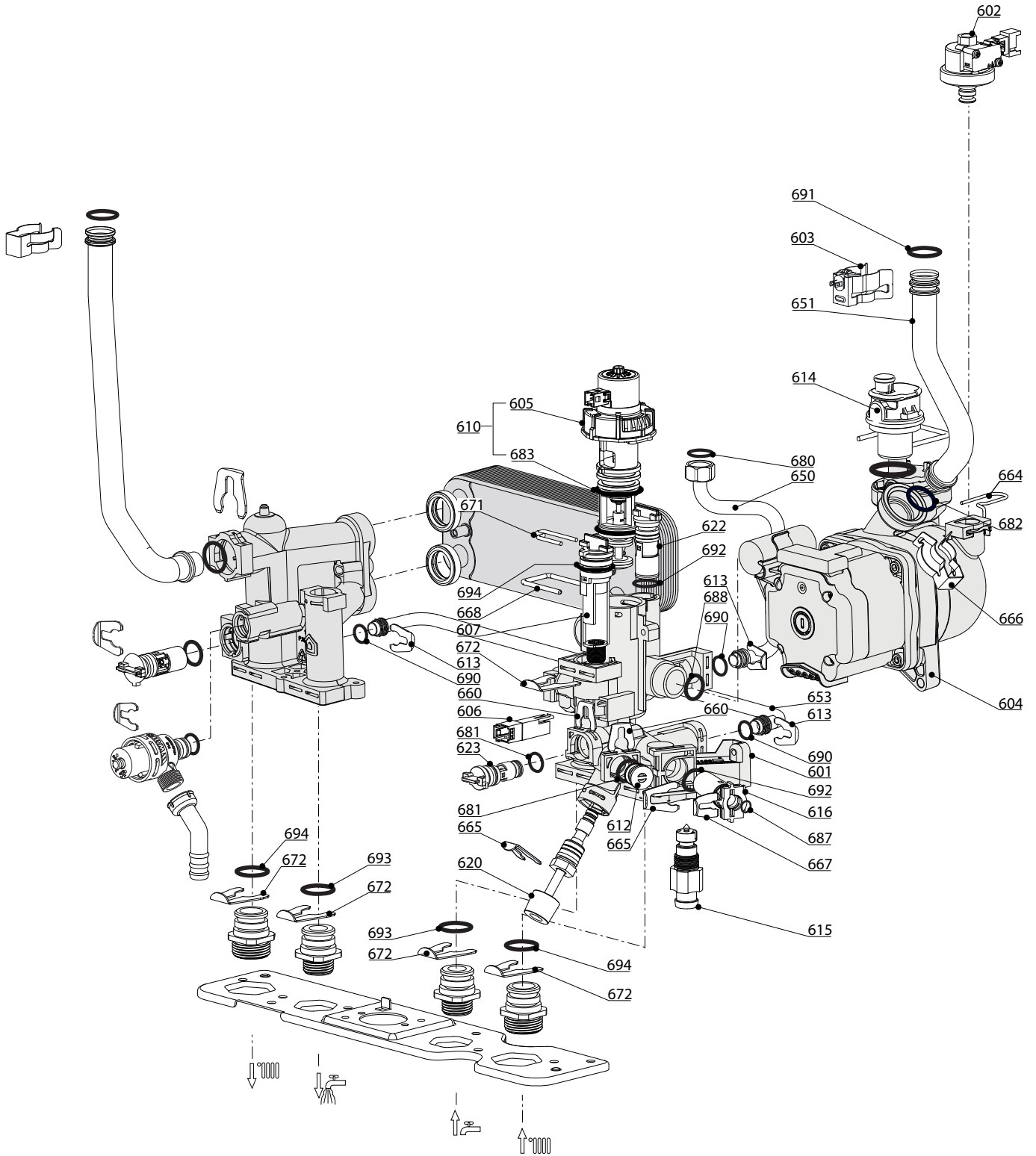
| | | | | |
|----|---------|---------------------|---------|---|
| 1 | 3301058 | ALTEAS ONE NET 24 | 07-2017 | - |
| 2 | 3301059 | ALTEAS ONE NET 30 | 07-2017 | - |
| 3 | 3301060 | ALTEAS ONE NET 35 | 07-2017 | - |
| 4 | 3301018 | GENUS ONE 24 | 07-2017 | - |
| 4 | 3301113 | GENUS ONE NET 24 | 07-2017 | - |
| 5 | 3301019 | GENUS ONE 30 | 07-2017 | - |
| 5 | 3301114 | GENUS ONE NET 30 | 07-2017 | - |
| 6 | 3301020 | GENUS ONE 35 | 07-2017 | - |
| 6 | 3301115 | GENUS ONE NET 35 | 07-2017 | - |
| 7 | 3301025 | GENUS ONE SYSTEM 12 | 07-2017 | - |
| 8 | 3301026 | GENUS ONE SYSTEM 18 | 07-2017 | - |
| 9 | 3301027 | GENUS ONE SYSTEM 24 | 07-2017 | - |
| 10 | 3301028 | GENUS ONE SYSTEM 30 | 07-2017 | - |
| 11 | 3301029 | GENUS ONE SYSTEM 35 | 07-2017 | - |

| Col | Reference | Model type | Begin | End |
|-----|-----------|------------|-------|-----|
|-----|-----------|------------|-------|-----|



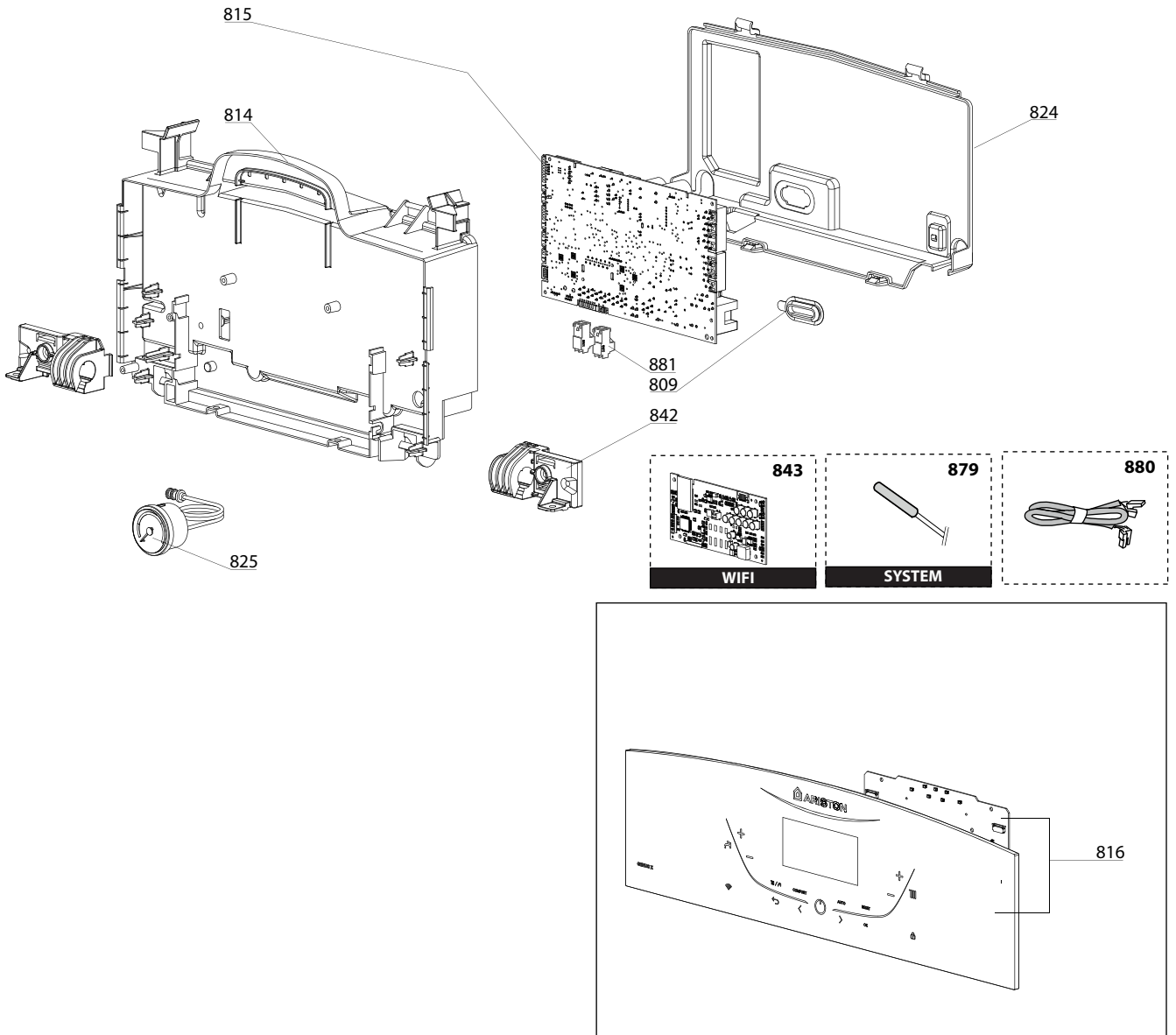


| ☉⇒ | Description | Manf. Pt. N | Type | <div style="display: flex; justify-content: space-between; font-size: small;"> ALTEA ONE 24 ALTEA ONE 30 GENIUS ONE 35 GENIUS ONE (NET) 24 GENIUS ONE (NET) 30 GENIUS ONE (NET) 35 GENIUS ONE SYST. 12 GENIUS ONE SYST. 18 GENIUS ONE SYST. 24 GENIUS ONE SYST. 30 GENIUS ONE SYST. 35 </div> | | | | | | | | | | | | | | From | to | | |
|------|-------------------------------------|-------------|------|--|---|---|---|---|---|---|---|---|----|----|----|----|----|------|----|-------|-------|
| | | | | 1 | 2 | 3 | 4 | 5 | 6 | 7 | 8 | 9 | 10 | 11 | 12 | 13 | 14 | | | 15 | 16 |
| 0500 | ГРУППА ПОДАЧИ | | | | | | | | | | | | | | | | | | | | |
| 0501 | ГРУППА ПОДАЧИ | 65115933 | | • | • | • | • | • | • | • | • | • | • | • | • | • | • | • | • | | 06/18 |
| | ГРУППА ПОДАЧИ | 65115933 | | | | | | | | | | | | | | | | | | | |
| | ГРУППА ПОДАЧИ | 65117952 | | • | • | • | • | • | • | • | • | • | • | • | • | • | • | • | • | 07/18 | |
| 0503 | ПРЕДОХРАНИТЕЛЬНЫЙ КЛАПАН (3 БАРА) | 61312668 | | • | • | • | • | • | • | • | • | • | • | • | • | • | • | • | • | | |
| 0507 | ТЕПЛООБМЕННИК ГВС (16 ПЛАСТИН) | 65116537 | | • | • | • | • | • | • | • | • | • | • | • | • | • | • | • | • | | |
| 0514 | БАЙПАС | 65114917 | | • | • | • | • | • | • | • | • | • | • | • | • | • | • | • | • | | |
| 0519 | ПЕРЕХОДНИК 'System +' Open | 60001365 | | | | | | | | | | | | | | | | | | | |
| 0521 | ОСНОВАНИЕ ГИДРАВЛИЧЕСКОЙ ГРУППЫ | 65116538 | | • | • | • | • | • | • | • | • | • | • | • | • | • | • | • | • | | |
| 0550 | ПАТРУБОК ПРЕДОХРАНИТЕЛЬНОГО КЛАПАНА | 60001955 | | • | • | • | • | • | • | • | • | • | • | • | • | • | • | • | • | | |
| 0551 | ТРУБКА ПОДАЧИ ТЕПЛОНОСИТЕЛЯ 24KW | 65116539 | | • | | | • | | | | • | • | • | | | | | | | | |
| | ТРУБКА ПОДАЧИ ТЕПЛОНОСИТЕЛЯ 30KW | 65116569 | | | • | | | • | | | | | • | | | | | | | | |
| | ТРУБКА ПОДАЧИ ТЕПЛОНОСИТЕЛЯ 35KW | 65116578 | | | | • | | | • | | | | | | | | | | | | |
| 0557 | ТРУБКА | 65115935 | | | | | | | | | | • | • | • | • | • | • | • | • | | |
| 0560 | КЛИПСА | 65114933 | | • | • | • | • | • | • | • | • | • | • | • | • | • | • | • | • | | |
| 0562 | КЛИПСА D18 | 65104259 | | • | • | • | • | • | • | • | • | • | • | • | • | • | • | • | • | | |
| 0563 | КЛИПСА | 65114932 | | • | • | • | • | • | • | • | • | • | • | • | • | • | • | • | • | | |
| 0565 | КЛИПСА | 60000309 | | • | • | • | • | • | • | • | • | • | • | • | • | • | • | • | • | | |
| 0581 | О-КОЛЬЦО 17.96X2.62 | 65104337 | | • | • | • | • | • | • | • | • | • | • | • | • | • | • | • | • | | |
| 0582 | О-КОЛЬЦО 17.86X2.62 | 61308091 | | • | • | • | • | • | • | • | • | • | • | • | • | • | • | • | • | | |
| 0585 | О-КОЛЬЦО 17.04X3.53 | 65104262 | | • | • | • | • | • | • | • | • | • | • | • | • | • | • | • | • | | |
| 0588 | ПРОКЛАДКА ТЕПЛООБМЕННИКА | 65114928 | | • | • | • | • | • | • | • | • | • | • | • | • | • | • | • | • | | |
| 0590 | О-КОЛЬЦО 11.91X2.62 | 65114940 | | • | • | • | • | • | • | • | • | • | • | • | • | • | • | • | • | | |

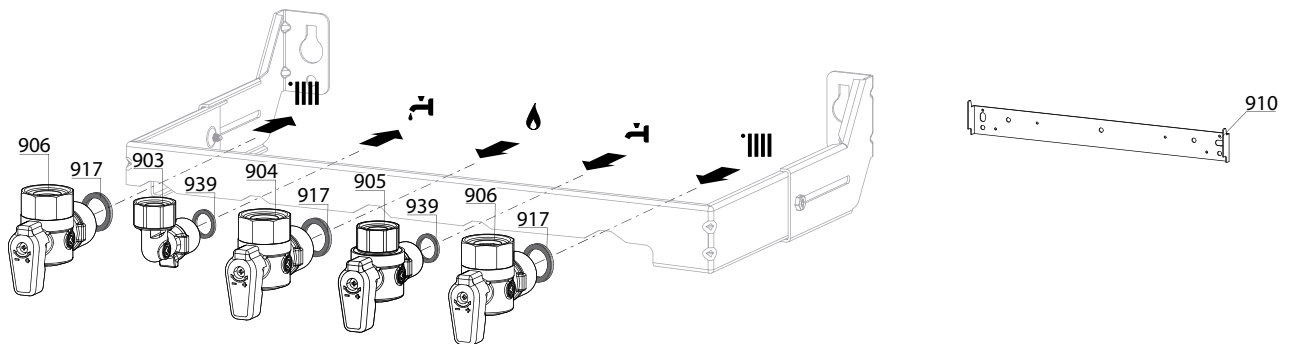


| ☉⇒ | Description | Manf. Pt. N | Type | <div style="display: flex; justify-content: space-between; font-size: small;"> ALTEA ONE 24 ALTEA ONE 30 ALTEA ONE 35 GENUS ONE (NET) 24 GENUS ONE (NET) 30 GENUS ONE (NET) 35 GENUS ONE SYST. 12 GENUS ONE SYST. 18 GENUS ONE SYST. 24 GENUS ONE SYST. 30 GENUS ONE SYST. 35 </div> | | | | | | | | | | | | | | | | | | From | to |
|------|-------------------------------------|-------------|-------|---|---|---|---|---|---|---|---|---|----|----|----|----|----|----|----|-------|-------|------|----|
| | | | | 1 | 2 | 3 | 4 | 5 | 6 | 7 | 8 | 9 | 10 | 11 | 12 | 13 | 14 | 15 | 16 | 17 | 18 | | |
| 0600 | ГРУППА ВОЗВРАТА | | | | | | | | | | | | | | | | | | | | | | |
| 0601 | ГРУППА ВОЗВРАТА | 65116540 | | ● | ● | ● | ● | ● | ● | ● | ● | ● | ● | ● | ● | ● | ● | ● | ● | | 06/18 | | |
| | ГРУППА ВОЗВРАТА | 65116613 | | | | | | | | | | ● | ● | ● | ● | ● | ● | ● | ● | | | | |
| | ГРУППА ВОЗВРАТА | 65117953 | | ● | ● | ● | ● | ● | ● | ● | ● | ● | ● | ● | ● | ● | ● | ● | ● | 07/18 | | | |
| 0602 | ДАТЧИК ДАВЛЕНИЯ | 65115793 | | ● | ● | ● | ● | ● | ● | ● | ● | ● | ● | ● | ● | ● | ● | ● | ● | | | | |
| 0603 | ДАТЧИК ТЕМПЕРАТУРЫ + КЛИПСА | 990686-01 | | ● | ● | ● | ● | ● | ● | ● | ● | ● | ● | ● | ● | ● | ● | ● | ● | | | | |
| 0604 | НАСОС 5М РWM TACO | 65116908-01 | TACO | ● | ● | ● | ● | ● | ● | ● | ● | ● | ● | ● | ● | ● | ● | ● | ● | | | | |
| 0605 | МОТОР 3-Х ХОДОВОГО КЛАПАНА | 65114936 | | ● | ● | ● | ● | ● | ● | ● | ● | ● | ● | ● | ● | ● | ● | ● | ● | | | | |
| 0606 | ДАТЧИК ПРОТОКА (ГЕРКОН) | 65114921-01 | | ● | ● | ● | ● | ● | ● | ● | ● | ● | ● | ● | ● | ● | ● | ● | ● | | | | |
| 0607 | ДАТЧИК ПРОТОКА (ТУРБИНКА) | 65114919 | | ● | ● | ● | ● | ● | ● | ● | ● | ● | ● | ● | ● | ● | ● | ● | ● | | | | |
| 0610 | 3-Х ХОДОВОЙ КЛАПАН В СБОРЕ | 65114924 | | ● | ● | ● | ● | ● | ● | ● | ● | ● | ● | ● | ● | ● | ● | ● | ● | | | | |
| 0612 | ЗАГЛУШКА | 65114920 | | ● | ● | ● | ● | ● | ● | ● | ● | ● | ● | ● | ● | ● | ● | ● | ● | | | | |
| 0613 | КЛИПСА D10 | 65104260 | | ● | ● | ● | ● | ● | ● | ● | ● | ● | ● | ● | ● | ● | ● | ● | ● | | | | |
| 0614 | АВТОМАТ. ВОЗДУХООТВОДЧИК PANASONIC | 65116392 | PANA. | ● | ● | ● | ● | ● | ● | ● | ● | ● | ● | ● | ● | ● | ● | ● | ● | | | | |
| | АВТОМАТ. ВОЗДУХООТВОДЧИК TACO ENER+ | 65112086 | TACO | ● | ● | ● | ● | ● | ● | ● | ● | ● | ● | ● | ● | ● | ● | ● | ● | | | | |
| 0615 | КРАН ДЛЯ СЛИВА | 65114922 | | ● | ● | ● | ● | ● | ● | ● | ● | ● | ● | ● | ● | ● | ● | ● | ● | | | | |
| 0616 | ВОДЯНОЙ ФИЛЬТР | 65114923 | | ● | ● | ● | ● | ● | ● | ● | ● | ● | ● | ● | ● | ● | ● | ● | ● | | | | |
| 0620 | КРАН ПОДПИТКИ | 65116541 | | ● | ● | ● | ● | ● | ● | ● | ● | ● | ● | ● | ● | ● | ● | ● | ● | | | | |
| 0622 | БАЙПАС | 65114917 | | ● | ● | ● | ● | ● | ● | ● | ● | ● | ● | ● | ● | ● | ● | ● | ● | | | | |
| 0623 | ОБРАТНЫЙ КЛАПАН | 65114918 | | ● | ● | ● | ● | ● | ● | ● | ● | ● | ● | ● | ● | ● | ● | ● | ● | | | | |
| 0650 | ТРУБКА РАСШИРИТЕЛЬНОГО БАКА | 65116542 | | ● | ● | ● | ● | ● | ● | ● | ● | ● | ● | ● | ● | ● | ● | ● | ● | | | | |
| 0651 | ТРУБКА ВОЗВРАТА ТЕПЛОНОСИТЕЛЯ | 65116543 | | ● | ● | ● | ● | ● | ● | ● | ● | ● | ● | ● | ● | ● | ● | ● | ● | | | | |
| 0653 | ПАТРУБОК БАЙПАСА | 65116210 | | ● | ● | ● | ● | ● | ● | ● | ● | ● | ● | ● | ● | ● | ● | ● | ● | 06/18 | | | |
| | ПАТРУБОК БАЙПАСА | 65116210 | | | | | | | | | | ● | ● | ● | ● | ● | ● | ● | ● | | | | |
| 0660 | КЛИПСА | 65114933 | | ● | ● | ● | ● | ● | ● | ● | ● | ● | ● | ● | ● | ● | ● | ● | ● | | | | |
| 0664 | КЛИПСА | 65104322 | | ● | ● | ● | ● | ● | ● | ● | ● | ● | ● | ● | ● | ● | ● | ● | ● | | | | |
| 0665 | КЛИПСА | 65114932 | | ● | ● | ● | ● | ● | ● | ● | ● | ● | ● | ● | ● | ● | ● | ● | ● | | | | |
| 0666 | КЛИПСА | 60000309 | | ● | ● | ● | ● | ● | ● | ● | ● | ● | ● | ● | ● | ● | ● | ● | ● | | | | |
| 0667 | КЛИПСА | 65100680 | | ● | ● | ● | ● | ● | ● | ● | ● | ● | ● | ● | ● | ● | ● | ● | ● | | | | |
| 0668 | КЛИПСА | 65114927 | | ● | ● | ● | ● | ● | ● | ● | ● | ● | ● | ● | ● | ● | ● | ● | ● | | | | |
| 0671 | КЛИПСА | 65114926 | | ● | ● | ● | ● | ● | ● | ● | ● | ● | ● | ● | ● | ● | ● | ● | ● | | | | |
| 0672 | КЛИПСА | 65114931 | | ● | ● | ● | ● | ● | ● | ● | ● | ● | ● | ● | ● | ● | ● | ● | ● | | | | |
| 0680 | ПРОКЛАДКА 3/8" | 573521 | | ● | ● | ● | ● | ● | ● | ● | ● | ● | ● | ● | ● | ● | ● | ● | ● | | | | |
| 0681 | О-КОЛЬЦО 9.9X2.62 | 65114937 | | ● | ● | ● | ● | ● | ● | ● | ● | ● | ● | ● | ● | ● | ● | ● | ● | | | | |
| 0682 | О-КОЛЬЦО 17.04X3.53 | 65104262 | | ● | ● | ● | ● | ● | ● | ● | ● | ● | ● | ● | ● | ● | ● | ● | ● | | | | |
| 0683 | О-КОЛЬЦО 23.47X2.62 | 65114939 | | ● | ● | ● | ● | ● | ● | ● | ● | ● | ● | ● | ● | ● | ● | ● | ● | | | | |
| 0687 | О-КОЛЬЦО 5.7X1.9 | 61009834-10 | | ● | ● | ● | ● | ● | ● | ● | ● | ● | ● | ● | ● | ● | ● | ● | ● | | | | |
| 0688 | О-КОЛЬЦО 21.89X2.62 | 65104320 | | ● | ● | ● | ● | ● | ● | ● | ● | ● | ● | ● | ● | ● | ● | ● | ● | | | | |
| 0690 | О-КОЛЬЦО 8.9X2.7 | 61009834-14 | | ● | ● | ● | ● | ● | ● | ● | ● | ● | ● | ● | ● | ● | ● | ● | ● | | | | |
| 0691 | О-КОЛЬЦО 17.86X2.62 | 61308091 | | ● | ● | ● | ● | ● | ● | ● | ● | ● | ● | ● | ● | ● | ● | ● | ● | | | | |
| 0692 | О-КОЛЬЦО 11.91X2.62 | 65114940 | | ● | ● | ● | ● | ● | ● | ● | ● | ● | ● | ● | ● | ● | ● | ● | ● | | | | |
| 0693 | О-КОЛЬЦО 15.88X2.62 | 65114941 | | ● | ● | ● | ● | ● | ● | ● | ● | ● | ● | ● | ● | ● | ● | ● | ● | | | | |
| 0694 | О-КОЛЬЦО 17.13X2.62 | 65114938 | | ● | ● | ● | ● | ● | ● | ● | ● | ● | ● | ● | ● | ● | ● | ● | ● | | | | |

800



900



5000

5001
 Transf. gaz
 Conv. gas
 Trasn. gas
 Transf. gas

5020
 Options
 Accessories
 Opzioni
 Accessorio

| ☺⇒ | Description | Manf. Pt. N | Type | <div style="display: flex; justify-content: space-between; font-size: small;"> ALTEA ONE 24 ALTEA ONE 30 GENIUS ONE 35 GENIUS ONE (NET) 24 GENIUS ONE (NET) 30 GENIUS ONE (NET) 35 GENIUS ONE SYST. 12 GENIUS ONE SYST. 18 GENIUS ONE SYST. 24 GENIUS ONE SYST. 30 GENIUS ONE SYST. 35 </div> | | | | | | | | | | | | | | | | | | From | to |
|-------------|------------------------------------|-------------|------|--|---|---|---|---|---|---|---|---|----|----|----|----|----|----|----|----|----|------|----|
| | | | | 1 | 2 | 3 | 4 | 5 | 6 | 7 | 8 | 9 | 10 | 11 | 12 | 13 | 14 | 15 | 16 | 17 | 18 | | |
| 0800 | ЭЛЕКТРИЧЕСКАЯ ЧАСТЬ | | | | | | | | | | | | | | | | | | | | | | |
| 0809 | ЗАГЛУШКА | 998382 | | • | • | • | • | • | • | • | • | • | • | • | • | • | • | • | • | | | | |
| 0814 | КОРПУС БЛОКА УПРАВЛЕНИЯ (FRONT) | 65116544 | | • | • | • | • | • | • | • | • | • | • | • | • | • | • | • | • | | | | |
| 0815 | ОСНОВНАЯ ПЛАТА | 65116545-02 | | • | • | • | • | • | • | • | • | • | • | • | • | • | • | • | • | | | | |
| 0816 | ПЛАТА ДИСПЛЕЯ | 65116788-02 | | • | • | • | • | • | • | • | • | • | • | • | • | • | • | • | • | | | | |
| | ПЛАТА ДИСПЛЕЯ | 65116789-02 | | • | • | • | • | • | • | • | • | • | • | • | • | • | • | • | • | | | | |
| 0824 | КОРПУС БЛОКА УПРАВЛЕНИЯ (REAR) | 65116547 | | • | • | • | • | • | • | • | • | • | • | • | • | • | • | • | • | | | | |
| 0825 | МАНОМЕТР | 65114200 | | • | • | • | • | • | • | • | • | • | • | • | • | • | • | • | • | | | | |
| 0842 | БОКОВОЙ ФИКСАТОР ПАНЕЛИ УПРАВЛЕНИЯ | 65116548 | | • | • | • | • | • | • | • | • | • | • | • | • | • | • | • | • | | | | |
| 0843 | ПЛАТА WI-FI | 65117311 | | • | • | • | • | • | • | • | • | • | • | • | • | • | • | • | • | | | | |
| 0879 | ДАТЧИК ТЕМПЕРАТУРЫ БОЙЛЕРА | 60000454 | | • | • | • | • | • | • | • | • | • | • | • | • | • | • | • | • | | | | |
| 0880 | КАБЕЛЬ 3-Х ХОДОВОГО КЛАПАНА | 65116584 | | • | • | • | • | • | • | • | • | • | • | • | • | • | • | • | • | | | | |
| | КАБЕЛЬ 3-Х ХОДОВОГО КЛАПАНА | 65116815 | | • | • | • | • | • | • | • | • | • | • | • | • | • | • | • | • | | | | |
| | КАБЕЛЬ ВЕНТИЛЯТОРА | 65116579 | | • | • | • | • | • | • | • | • | • | • | • | • | • | • | • | • | | | | |
| | КАБЕЛЬ ЭЛЕКТРОДА РОЗЖИГА | 65116583 | | • | • | • | • | • | • | • | • | • | • | • | • | • | • | • | • | | | | |
| | КАБЕЛЬ ДИСПЛЕЯ (5 WIRES BLUES) | 60000746 | | • | • | • | • | • | • | • | • | • | • | • | • | • | • | • | • | | | | |
| | КАБЕЛЬ ЗАЗЕМЛЕНИЯ | 65104286 | | • | • | • | • | • | • | • | • | • | • | • | • | • | • | • | • | | | | |
| | КАБЕЛЬ ПИТАНИЯ 240V | 60001619 | | • | • | • | • | • | • | • | • | • | • | • | • | • | • | • | • | | | | |
| | КАБЕЛЬ ГАЗОВОГО КЛАПАНА | 65116580 | | • | • | • | • | • | • | • | • | • | • | • | • | • | • | • | • | | | | |
| | КАБЕЛЬ ДАТЧИКА ТЕМПЕРАТУРЫ NTC | 65116717 | | • | • | • | • | • | • | • | • | • | • | • | • | • | • | • | • | | | | |
| | КАБЕЛЬ НАСОСА TACO | 65117069 | TACO | • | • | • | • | • | • | • | • | • | • | • | • | • | • | • | • | | | | |
| | КАБЕЛЬ ПЛАТЫ WI-FI | 65115826 | | • | • | • | • | • | • | • | • | • | • | • | • | • | • | • | • | | | | |
| 0881 | КОННЕКТОР 2P | 65111933 | | • | • | • | • | • | • | • | • | • | • | • | • | • | • | • | • | | | | |
| | КОННЕКТОР 3P (x5) | 65111934-01 | | • | • | • | • | • | • | • | • | • | • | • | • | • | • | • | • | | | | |
| 0900 | МОНТАЖНЫЕ АКССУАРЫ | | | | | | | | | | | | | | | | | | | | | | |
| 0903 | ПАТРУБОК ПОДКЛЮЧЕНИЯ ГВС | 60000891 | | • | • | • | • | • | • | • | • | • | • | • | • | • | • | • | • | | | | |
| 0904 | КРАН ГАЗА | 60000898 | | • | • | • | • | • | • | • | • | • | • | • | • | • | • | • | • | | | | |
| 0905 | КРАН ХОЛОДНОЙ ВОДЫ | 60000895 | | • | • | • | • | • | • | • | • | • | • | • | • | • | • | • | • | | | | |
| 0906 | КРАН ПОДАЧИ/ВОЗВРАТА ТЕПЛОНОСИТЕЛЯ | 60000885 | | • | • | • | • | • | • | • | • | • | • | • | • | • | • | • | • | | | | |
| 0910 | КРОНШТЕЙН | 60000625 | | • | • | • | • | • | • | • | • | • | • | • | • | • | • | • | • | | | | |
| 0917 | ПЛОСКАЯ ПРОКЛАДКА D:24-17-1.5 | 60061855-19 | | • | • | • | • | • | • | • | • | • | • | • | • | • | • | • | • | | | | |
| 0939 | ПЛОСКАЯ ПРОКЛАДКА D:18.4-12.2-1.5 | 60061855-14 | | • | • | • | • | • | • | • | • | • | • | • | • | • | • | • | • | | | | |
| 5000 | АКССУАРЫ | | | | | | | | | | | | | | | | | | | | | | |
| 5020 | КОМНАТНЫЙ ДАТЧИК CUBE S NET KIT | 65116700 | | • | • | • | • | • | • | • | • | • | • | • | • | • | • | • | • | | | | |
| | КОМНАТНЫЙ ДАТЧИК CUBE KIT | 65116718 | | • | • | • | • | • | • | • | • | • | • | • | • | • | • | • | • | | | | |
| | ОГРАНИЧИТЕЛЬ ПРОТОКА | 65116836 | | • | • | • | • | • | • | • | • | • | • | • | • | • | • | • | • | | | | |

LIST OF THE ABBREVIATIONS

| | |
|-------------|--|
| HW | : Hot water. |
| CW | : Cold water. |
| C | : Ceramic resistance (normal heating). |
| Ca | : Ceramic resistance (accelerated heating) |
| TP | : Immersion heater. |
| 1F | : With fittings. |
| 2F | : Without fittings. |
| 3F | : With fittings and another outlet connection. |
| AMI | : With mixing valve. |
| SMI | : Without mixing valve. |
| PUISS | : Power of th appliance. |
| PN | : Appliance with normal pression. |
| LP | : Appliance with low pression. |
| PV | : Appliance with variable power. |
| PF | : Appliance with fixed power. |

IDENTIFICATION PLATE

SERIAL NUMBER

10 Characters :

04 05 125 011
 Year of manufacture Manufacturing day Sequential number

11 Characters :

1 95 065004 - 31
 Month of manufacture : from 1 to 9 → Jan. to Sep.,
 O → Oct., N → Nov.,
 D → Dec. Technical number of the appliance
 Sequential number
 Year of manufacture

19 Characters :

08 05 0013199 900640031
 Year of manufacture Month of manufacture Product reference
 Sequential number

20 Characters :

3675007 XX 2 07 070 00315
 Product reference Millenium of manufacture Sequential number
 Manufacturing day Year of manufacture

21 Characters :

3675007 XX 07 070 0000315
 Product reference Year of manufacture Sequential number
 Manufacturing day