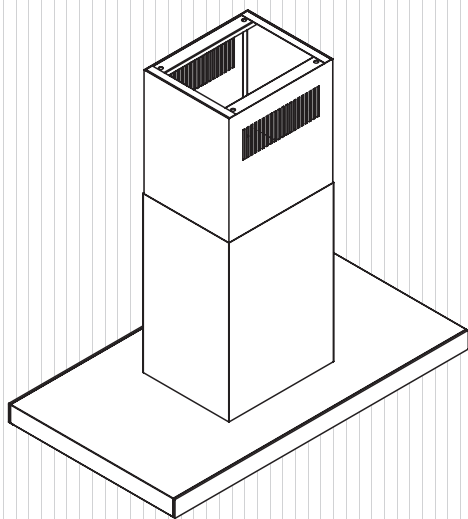


**TECHNICAL PASSPORT**

**ПАСПОРТ ТЕХНИЧЕСКОГО ИЗДЕЛИЯ**



**DUDL8**

**COOKER HOOD**

**КУХОННАЯ ВЫТЯЖКА**

**KUPPERSBERG**

Cooker hood

TECHNICAL DETAILS	DUDL8
Rated voltage	230 V - 50 Hz
General power	286 W
Engine power	278 W
Lighting power	4 x 2 W
Max. performance	1170 m <sup>3</sup> /h
Operation mode	Continuous, under control



Closely follow the instructions set out in this manual. All responsibility, for any eventual inconveniences, damages or fires caused by not complying with the instructions in this manual, is declined. The hood is conceived for the suction of cooking fumes and steam and is destined only for domestic use.

**The hood can look different to that illustrated in the drawings in this booklet. The instructions for use, maintenance and installation, however, remain the same.**

! It is important to conserve this booklet for consultation at any moment. In the case of sale, cession or move, make sure it is together with the product.

! Read the instructions carefully: there is important information about installation, use and safety.

! Do not carry out electrical or mechanical variations on the product or on the discharge conduits.

! Before proceeding with the installation of the appliance verify that there are no damaged all components. Otherwise contact your dealer and do not proceed with the installation.

➔ **Note:** the elements marked with the symbol “(\*)” are optional accessories supplied only with some models or elements to purchase, not supplied.!

➔ **Warning!** Do not connect the appliance to the mains until the installation is fully complete.

Before any cleaning or maintenance operation, disconnect hood from the mains by removing the plug or disconnecting the mains electrical supply.

Always wear work gloves for all installation and maintenance operations.

The appliance is not intended for use by children or persons with impaired physical, sensorial or mental faculties, or if lacking in experience or knowledge, unless they are under supervision or have been trained in the use of the appliance by a person responsible for their safety.

This appliance is designed to be operated by adults, children should be monitored to ensure that they do not play with the appliance.

This appliance is designed to be operated by adults. Children should not be allowed to tamper with the controls or play with the appliance.

Never use the hood without effectively mounted grating!

The hood must NEVER be used as a support surface unless specifically indicated.

The premises where the appliance is installed must be sufficiently ventilated, when the kitchen hood is used together with other gas combustion devices or other fuels.

## Cooker hood

The ducting system for this appliance must not be connected to any existing ventilation system which is being used for any other purpose such as discharging exhaust fumes from appliances burning gas or other fuels.

The flaming of foods beneath the hood itself is severely prohibited.

The use of exposed flames is detrimental to the filters and may cause a fire risk, and must therefore be avoided in all circumstances.

Any frying must be done with care in order to make sure that the oil does not overheat and ignite.

Accessible parts of the hood may become hot when used with cooking appliance.

With regards to the technical and safety measures to be adopted for fume discharging it is important to closely follow the regulations provided by the local authorities.

The hood must be regularly cleaned on both the inside and outside (AT LEAST ONCE A MONTH).

This must be completed in accordance with the maintenance instructions provided in this manual). Failure to follow the instructions provided in this user guide regarding the cleaning of the hood and filters will lead to the risk of fires.

Do not use or leave the hood without the lamp correctly mounted due to the possible risk of electric shocks.

We will not accept any responsibility for any faults, damage or fires caused to the appliance as a result of the nonobservance of the instructions included in this manual.

This appliance is marked according to the European directive 2002/96/EC on Waste Electrical and Electronic Equipment (WEEE). By ensuring this product is disposed of correctly, you will help prevent potential negative consequences for the environment and human health, which could otherwise be caused by inappropriate waste handling of this product.

The symbol on the product, or on the documents accompanying the product, indicates that this appliance may not be treated as household waste. Instead it should be taken to the appropriate collection point for the recycling of electrical and electronic equipment. Disposal must be carried out in accordance with local environmental regulations for waste disposal.

For further detailed information regarding the process, collection and recycling of this product, please contact the appropriate department of your local authorities or the local department for household waste or the shop where you purchased this product.

Appliance designed, tested and manufactured according to:

- Safety: EN/IEC 60335-1; EN/IEC 60335-2-31, EN/IEC 62233.

- Performance: EN/IEC 61591; ISO 5167-1; ISO 5167-3; ISO 5168; EN/IEC 60704-1; EN/IEC 60704-2-13; ISO 3741; EN 50564; IEC 62301.

- EMC: EN 55014-1; CISPR 14-1; EN 55014-2; CISPR 14-2; EN/IEC 61000-3-2; EN/IEC 61000-3-3.

Suggestions for a correct use in order to reduce the environmental impact: Switch ON the hood at minimum speed when you start cooking and kept it running for few minutes after cooking is finished. Increase the speed only in case of large amount of smoke and vapour and use boost speed(s) only in extreme situations. Replace the charcoal filter(s) when necessary to maintain a good odour reduction efficiency. Clean the grease filter(s) when necessary to maintain a good grease filter efficiency.

Use the maximum diameter of the ducting system indicated in this manual to optimize efficiency and minimize noise.

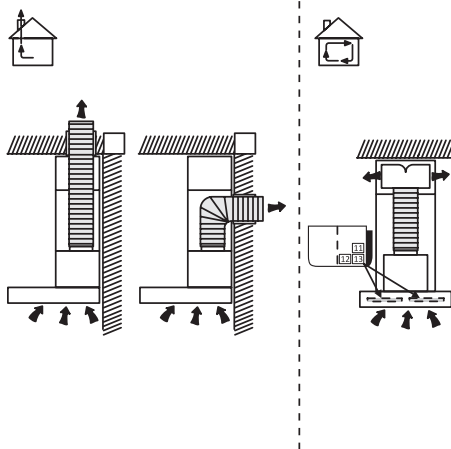
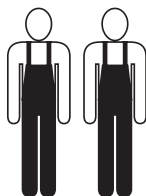
Additional Installation Specifications:

Use only the fixing screws supplied with the product for installation or, if not supplied, purchase the correct screws type.

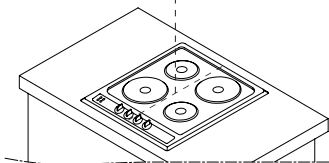
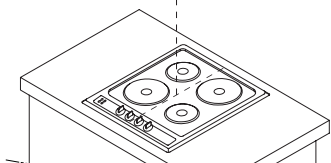
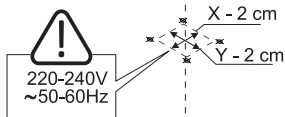
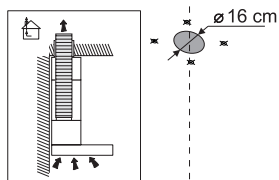
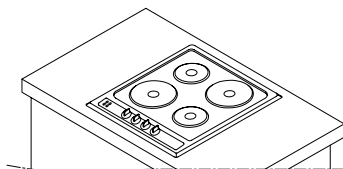
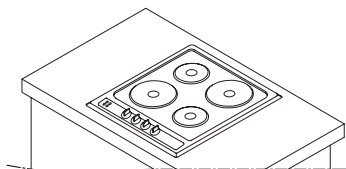
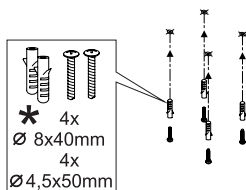
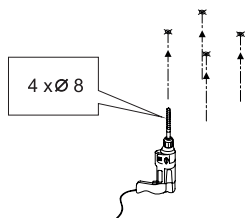
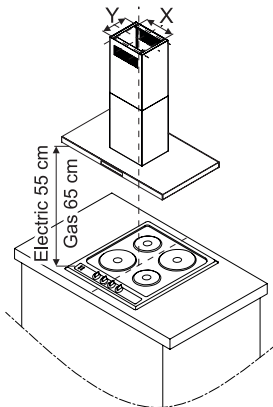
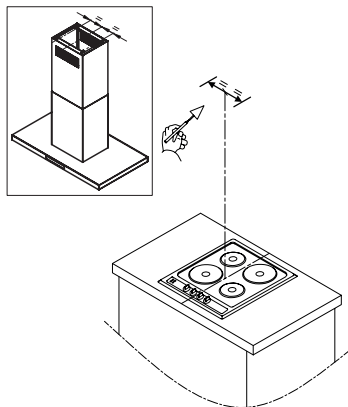
Use the correct length for the screws which are identified in the Installation Guide.

In case of doubt, consult an authorised service assistance centre or similar qualified person.

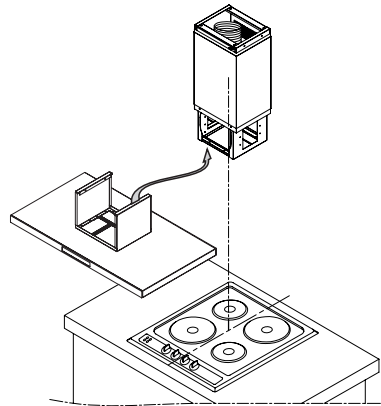
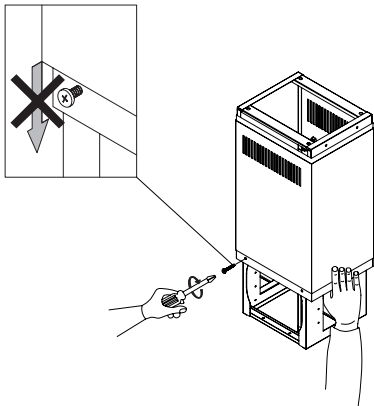
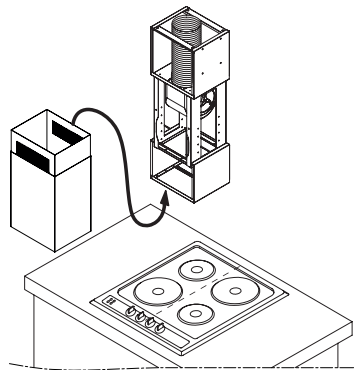
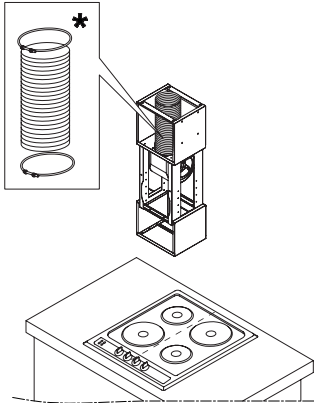
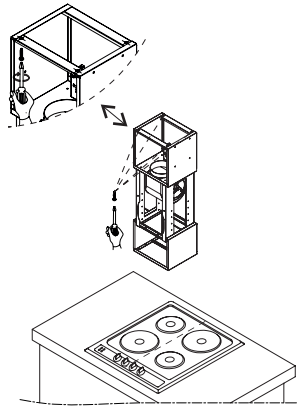
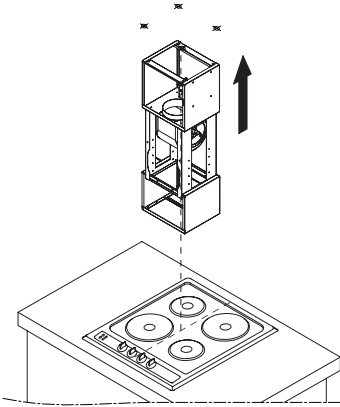
⚠ **Warning!** Failure to install the screws or fixing device in accordance with these instructions may result in electrical hazards.



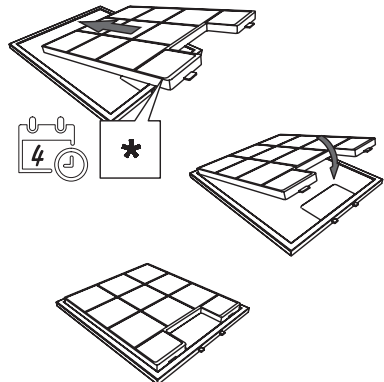
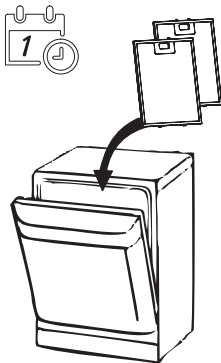
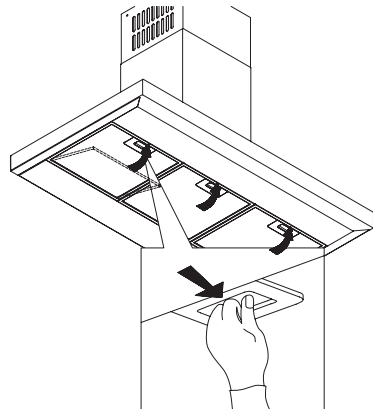
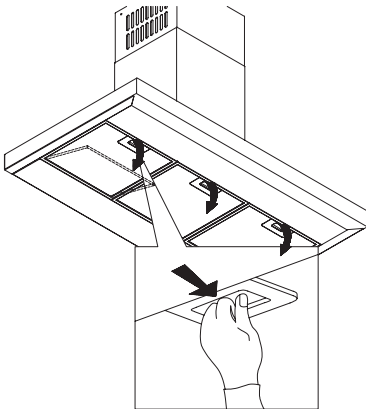
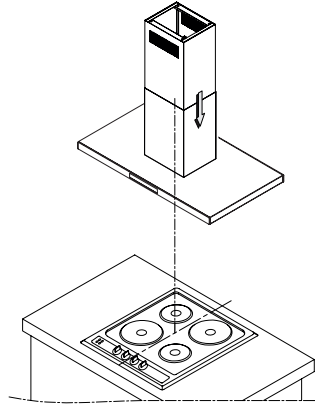
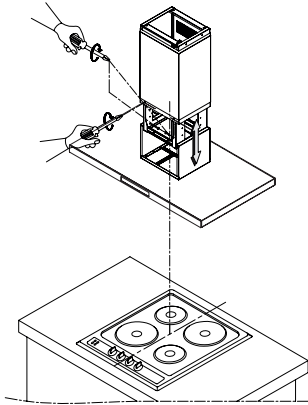
Cooker hood



Cooker hood

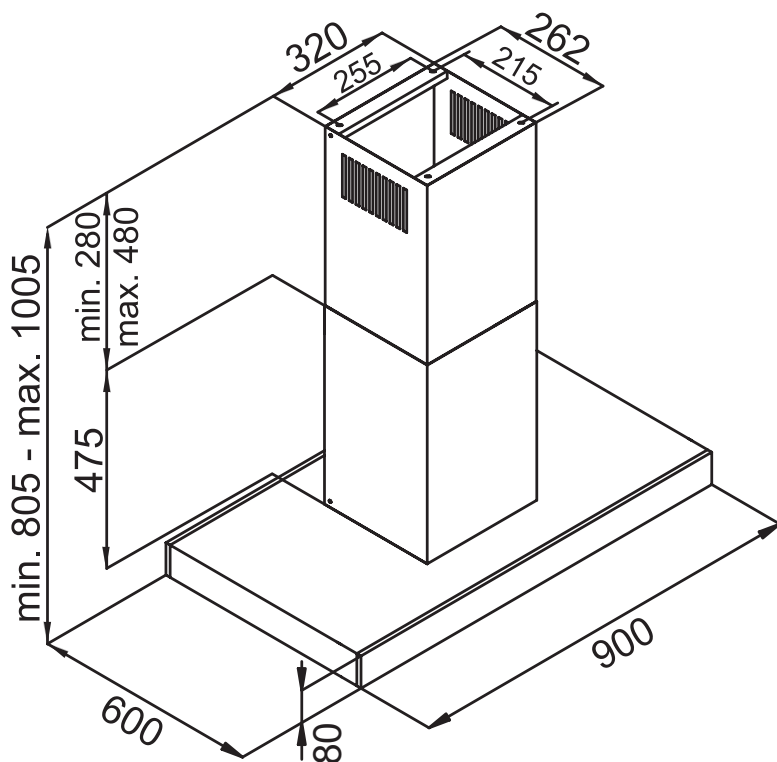
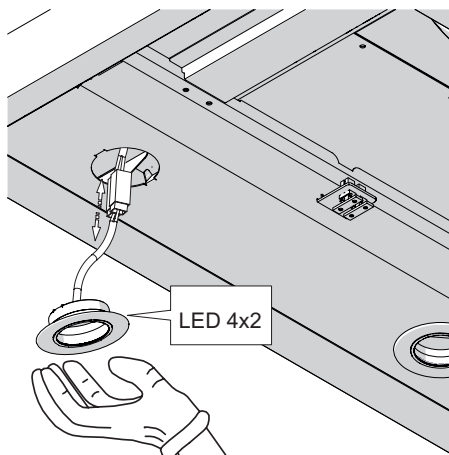
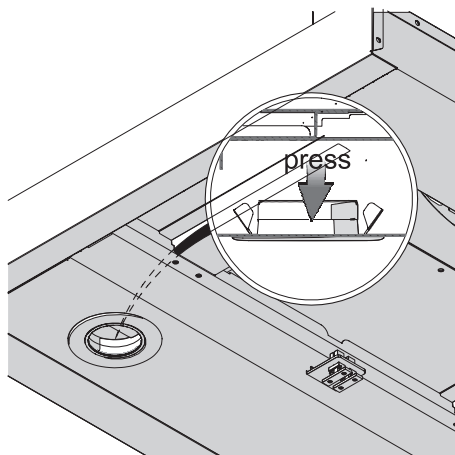


Cooker hood





## Cooker hood



**Cooker hood****USE**

The hood is designed to be used either for exhausting or filter version.

**DUCTING VERSION**

In this case the fumes are conveyed outside of the building by means of a special pipe connected with the connection ring located on top of the hood.

Attention! The exhausting pipe is not supplied and must be purchased apart.

Diameter of the exhausting pipe must be equal to that of the connection ring.

In the horizontal runs the exhausting pipe must be slightly slanted (about 10°) and directed upwards to vent the air easily from the room to the outside.

Attention! If the hood is supplied with active charcoal filter, then it must be removed.

Connect the hood and discharge holes on the walls with a diameter equivalent to the air outlet (connection flange).

Using the tubes and discharge holes on walls with smaller dimensions will cause a diminution of the suction performance and a drastic increase in noise.

Any responsibility in the matter is therefore declined.

- ! Use a duct of the minimum indispensable length.
- ! Use a duct with as few elbows as possible (maximum elbow angle: 90°).
- ! Avoid drastic changes in the duct cross-section.
- ! Use a duct as smooth as possible inside.
- ! The duct must be made of certified material.

**FILTER VERSION**

One active charcoal filter is needed for this and can be obtained from your usual retailer.

The filter removes the grease and smells from the extracted air before sending it back into the room through the upper outlet grid.

**INSTALLATION**

The minimum distance between the supporting surface for the cooking equipment on the hob and the lowest part of the range hood must be not less than 45cm from electric cookers and 50cm from gas or mixed cookers.

If the instructions for installation for the gas hob specify a greater distance, this must be adhered to.

**ELECTRICAL CONNECTION**

The mains power supply must correspond to the rating indicated on the plate situated inside the hood. If provided with a plug connect the hood to a socket in compliance with current regulations and positioned in an accessible area, after installation. If it not fitted with a plug (direct mains connection) or if the plug is not located in an accessible area, after installation, apply a double pole switch in accordance with standards which assures the complete disconnection of the mains under conditions relating to over-current category III, in accordance with installation instructions.

➔ **Warning!** Before re-connecting the hood circuit to the mains supply and checking the efficient function, always check that the mains cable is correctly assembled. The hood is provided with a special power cable; if the cable

is damaged, request a new one from Technical Service.

### MOUNTING

Very heavy product; hood handling and installation must be carried out by at least two persons.

Before beginning installation:

- Check that the product purchased is of a suitable size for the chosen installation area.

- Remove the charcoal (\*) filter/s if supplied (see also relative paragraph). This/these is/are to be mounted only if you want to use the hood in the filtering version.

- Check (for transport reasons) that there is no other supplied material inside the hood (e.g. packets with screws (\*), guarantees (\*), etc.), eventually removing them and keeping them.

- If possible, disconnect and move freestanding or slide-in range from cabinet opening to provide easier access to rear wall/ceiling. Otherwise put a thick, protective covering over countertop, cooktop or range to protect from damage and debris. Select a flat surface for assembling the unit. Cover that surface with a protective covering and place all canopy hood parts and hardware in it.

- In addition check whether near the installation area of the hood (in the area accessible also with the hood mounted) an electric socket is available and it is possible to connect a fumes discharge device to the outside (only suction version).

- Carry out all the masonry work necessary (e.g. installation of an electric socket and/or a hole for the passage of the discharge tube).

Expansion wall plugs are provided to secure the hood to most types of walls/ceilings. However, a qualified technician must verify suitability of the materials in accordance with the type of wall/ceiling. The wall/ceiling must be strong enough to take the weight of the hood. Do not tile, grout or silicone this appliance to the wall. Surface mounting only.

### OPERATION

Use the high suction speed in cases of concentrated kitchen vapours. It is recommended that the cooker hood suction is switched on for 5 minutes prior to cooking and to leave in operation during cooking and for another 15 minutes approximately after terminating cooking.



1 OFF motor

Pressing the button during functioning, the hood turns OFF.

2 Speed Increase

Pressing the button the hood passes from the OFF state to speed 1.

Pressing the button (hood in ON state) the motor speed is increased from speed 1 to intensive.

To each speed corresponds the ignition of the respective led.

Speed 1: 1

Speed 2: 2

Speed 3: 3

Speed 4: 4

3 ON/OFF lights

4 Speed timing

5 Function state indicator

## Cooker hood

**MAINTENANCE**

➔ **Attention!** Before performing any maintenance operation, isolate the hood from the electrical supply by switching off at the connector and removing the connector fuse.

Or if the appliance has been connected through a plug and socket, then the plug must be removed from the socket.

**CLEANING**

The cooker hood should be cleaned regularly (at least with the same frequency with which you carry out maintenance of the fat filters) internally and externally. Clean using the cloth dampened with neutral liquid detergent. Do not use abrasive products. **DO NOT USE ALCOHOL!**

➔ **Warning:** Failure to carry out the basic cleaning recommendations of the cooker hood and replacement of the filters may cause fire risks.

Therefore, we recommend observing these instructions.

The manufacturer declines all responsibility for any damage to the motor or any fire damage linked to inappropriate maintenance or failure to observe the above safety recommendations.

**GREASE FILTER**

Traps cooking grease particles.

The grease filter must be cleaned once a month using non aggressive detergents, either by hand or in the dishwasher, which must be set to a low temperature and a short cycle. When

washed in a dishwasher, the grease filter may discolour slightly, but this does not affect its filtering capacity.

To remove the grease filter, pull the spring release handle.

Charcoal filter (filter version only)

It absorbs unpleasant odours caused by cooking.

**The saturation of the charcoal filter occurs after more or less** prolonged use, depending on the type of cooking and the regularity of cleaning of the grease filter.

In any case it is necessary to replace the cartridge at least every four months.

The charcoal filter may NOT be washed or regenerated.

**CIRCULAR CARBON FILTER**

Apply one on each side as cover to both the shield grids of the motor impeller, then turn clockwise.

For the disassembly, turn counter-clockwise.

**REPLACING LAMPS**

The illumination system consists of 4x2 LED.

Disconnect the appliance from the electricity.

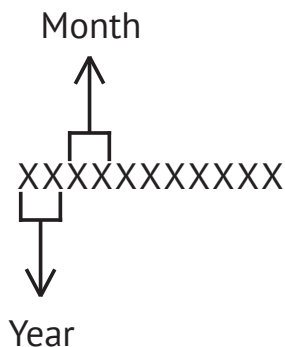
Warning! Prior to touching the light bulbs ensure they are cooled down.

Replace the old light bulb with the one of the same type as specified in the feature label or near the light lamp on the hood.

The hood is equipped with a lighting system based on LED technology.

The LEDs guarantee an optimum lighting, a duration up to 10 times as long as the traditional lamps and allow to save 90% electrical energy. For replacement, contact the technical service.

### SERIAL NUMBER CHART:



### Manufacturers:

Ciarko Spółka z ograniczoną odpowiedzialnością Sp. K.  
38-500 Sanok, ul. Okulickiego 10, Polska

### Importers:

LLC «MG Rusland», 141400  
Moscow region, Khimki, Butakovo, 4





## Кухонные вытяжки

ТЕХНИЧЕСКИЕ ДАННЫЕ	DUDL8
Номинальное напряжение	230 В - 50 Гц
Общая мощность	286 Вт
Мощность двигателя	278 Вт
Мощность освещения	4 x 2 Вт
Макс. производительность	1170 м <sup>3</sup> /ч
Режим работы	Непрерывный, под контролем





Вытяжное устройство предназначено для устранения или нейтрализации кухонного угара и устанавливаются его постоянным образом над газовой или электрической плитами. Работая в режиме поглотителя угара, оно требует установки трубы для отвода воздуха наружу. Длина трубы ( $\varnothing 150$  или 120 мм) не должна превышать 4-5 м. После установки фильтра с активированным углем, вытяжное устройство может работать в режиме поглотителя запахов. В этом случае, это не требует монтажа трубы для отвода воздуха наружу.

Производитель снимает с себя всякую ответственность за неполадки, ущерб или пожар, которые возникли при использовании прибора вследствие несоблюдения инструкций, приведенных в данном руководстве. Вытяжка предназначена исключительно для домашнего использования. **Вытяжка может иметь дизайн, отличающийся от вытяжки показанной на рисунках данного руководства, тем не менее, руководство по эксплуатации, техническое обслуживание и установка остаются те же.**

! Очень важно сохранить эту инструкцию, чтобы можно было обратиться к ней в любой момент. Если изделие продается, передается или переносится обеспечить, чтобы инструкция всегда была с ним.

! Внимательно прочитать инструкции: в них находится важная ин-

формация по установке, эксплуатации и безопасности.

! Запрещается выполнять изменения в электрической или механической части изделия или в трубах рассеивания.

⇒ **Примечание:** принадлежности, обозначенные знаком “(\*)” поставляются по спецзапросу только к некоторым моделям или в случае необходимости в закупке деталей, которые не были поставлены.

⇒ **Внимание!** Не подключайте прибор к электрической сети, пока операции по установке полностью не завершены. Прежде чем приступить к операциям по очистке или уходу отсоедините вытяжку от сети, вынув вилку или выключив общий выключатель электрической сети.

Для выполнения всех операций по установке и уходу используйте рабочие перчатки.

Дети или взрослые не должны пользоваться вытяжкой, если по своему физическому или психическому состоянию не в состоянии этого делать, или если они не обладают знаниями и опытом необходимыми для правильного и безопасного управления прибором.

Не оставляйте детей без присмотра, чтобы они не играли с прибором.

Не используйте вытяжку, если решетка неправильно установлена!

Категорически запрещается использовать вытяжку в качестве опорной плоскости, если это специально не оговорено.

## Кухонные вытяжки

Обеспечьте надлежащий воздухообмен помещения, когда Вы используете вытяжку в кухне одновременно с другими приборами на газу или на другом горючем.

Вытягиваемый воздух не должен выбрасываться наружу через воздуховод, используемый для выброса дымов от приборов с газовым сжиганием или с питанием другими горючими.

Категорически запрещается готовить блюда “под пламенем”, поскольку свободное пламя может повредить фильтры и стать причиной пожара; поэтому, воздерживайтесь от этого в любом случае. Жаренье в большом количестве масла должно производиться под постоянным контролем, имея в виду, что перегретое масло может воспламениться.

При использовании вместе с прочими аппаратами для варки, открытые части прибора могут сильно нагреваться. Что касается технических мер и условий по технике безопасности при отводе дымов, то придерживайтесь строго правил, предусмотренных регламентом местных компетентных властей.

Производите периодическую очистку вытяжки как внутри, так и снаружи (ПО КРАЙНЕЙ МЕРЕ, РАЗ В МЕСЯЦ с соблюдением условий, которые специально предусмотрены в инструкциях по обслуживанию данного прибора).

Несоблюдение инструкций по чистке вытяжки и по замене и чистке

фильтров может стать причиной пожара.

Не используйте и не оставляйте вытяжку без правильно установленных лампочек в связи с возможным риском удара электрическим током.

Мы снимаем с себя всякую ответственность за неполадки, ущерб или сгорание прибора вследствие несоблюдения инструкций, приведенных в данном руководстве.

Данное изделие промаркировано в соответствии с Европейской директивой 2002/96/ЕС по утилизации электрического и электронного оборудования (WEEE). Обеспечив правильную утилизацию данного изделия, Вы можете предотвратить потенциальные негативные последствия для окружающей среды и здоровья человека, которые могли бы иметь место в противном случае. Вытяжка сконструирована для работы в режиме отвода воздуха наружу или рециркуляции воздуха.

### РАБОТА В РЕЖИМЕ ВЫТЯЖНОЙ СИСТЕМЫ

В этом режиме испарения выводятся наружу через гибкий трубопровод, подсоединенный к соединительному кольцу. Диаметр выводной трубы должен соответствовать диаметру соединительного кольца.

➤ **Внимание!** Выводная труба не входит в комплект и должна быть приобретена отдельно.

В горизонтальной части труба должна быть немного приподнята кверху (на около 10°) так, чтобы воздух

быстрее мог выходить наружу. Если вытяжка снабжена угольным фильтром, то уберите его

Подсоединить вытяжку к выводной трубе с диаметром соответствующим отверстию выхода воздуха (соединительный фланец).

Установка труб с меньшим диаметром даст уменьшение мощности всасывания воздуха и резкое увеличение уровня шума.

Производитель снимает с себя всякую ответственность по отношению выше сказанного.

- ! Использовать трубу с минимально необходимой длиной.
- ! Использовать трубу с наименьшим количеством изгибов (максимальный угол изгиба: 90°).

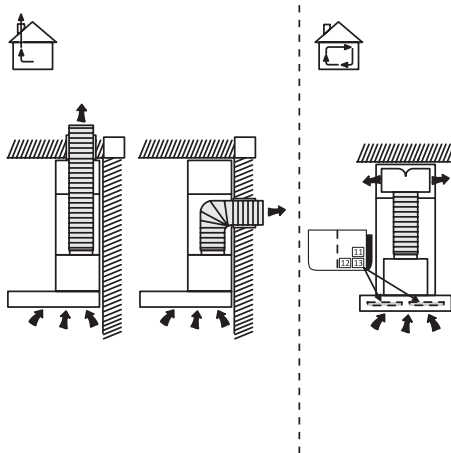
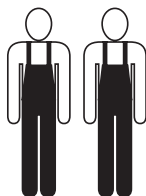
! Избегать резкого изменения сечения трубы.

! Внутренняя поверхность используемой трубы должна быть как можно более гладкой.

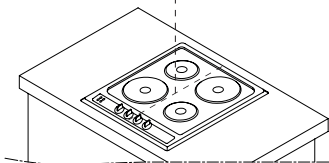
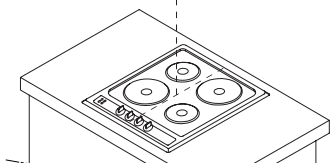
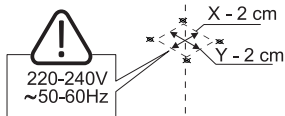
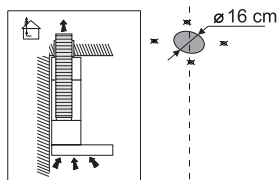
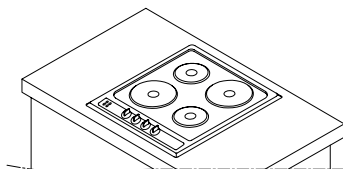
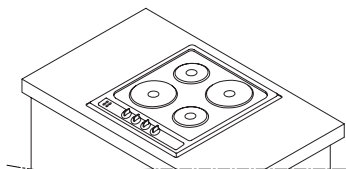
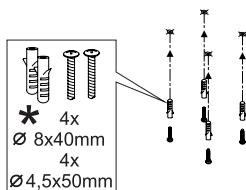
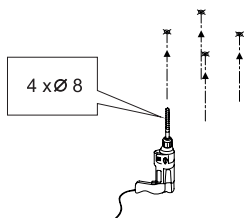
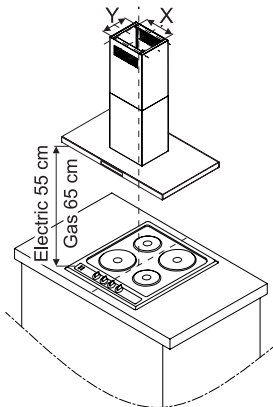
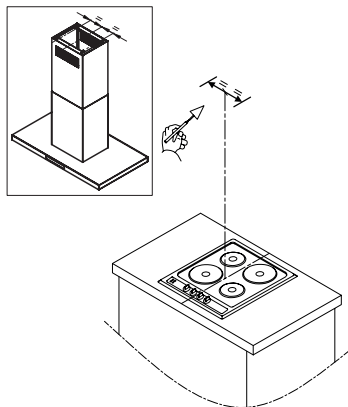
! Материал трубы, должен быть утвержден, согласно нормативу.

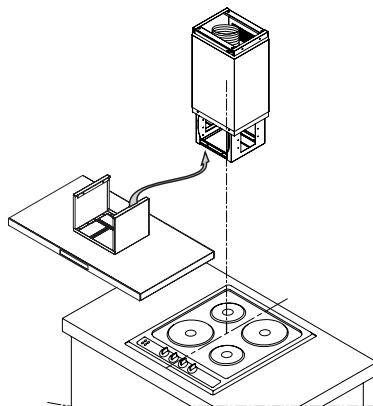
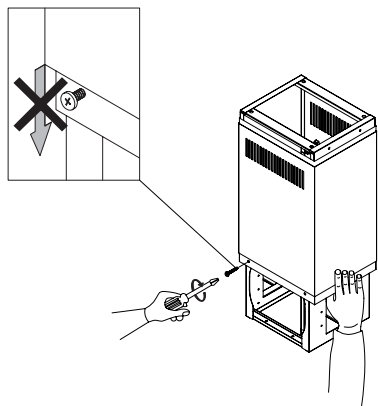
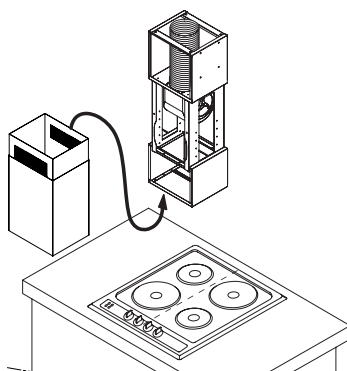
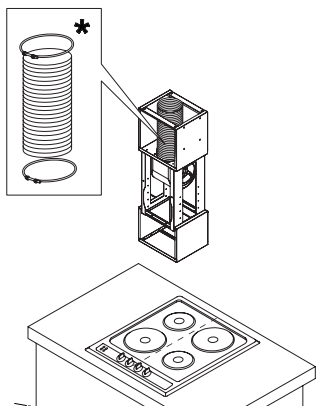
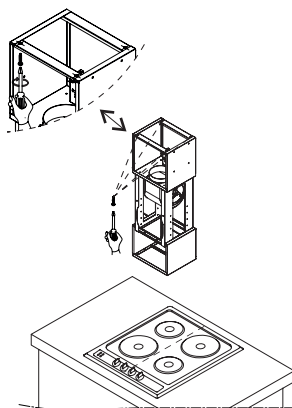
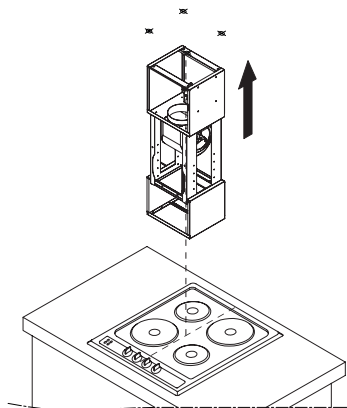
### РАБОТА УСТРОЙСТВА В РЕЖИМЕ ПОГЛОТИТЕЛЯ (ВОЗДУХООЧИСТИТЕЛЯ)

Должен использоваться угольный фильтр, имеющийся в наличии у вашего дистрибутора. Втягиваемый воздух обезжиривается и дезодорируется перед тем, как вновь возвращается в помещение через верхнюю решетку.

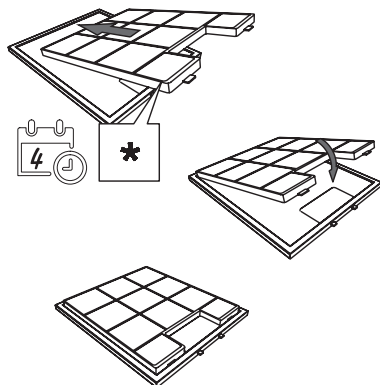
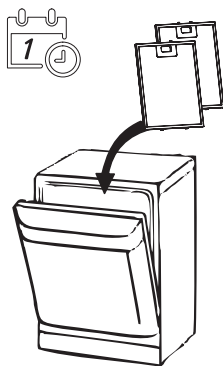
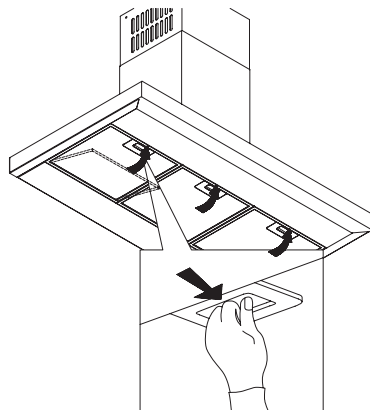
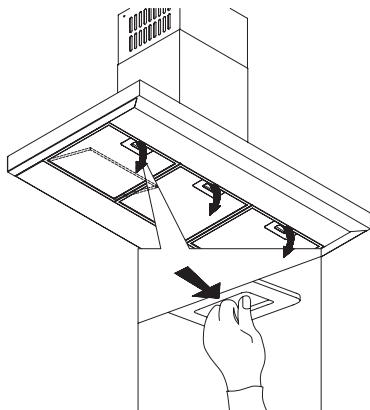
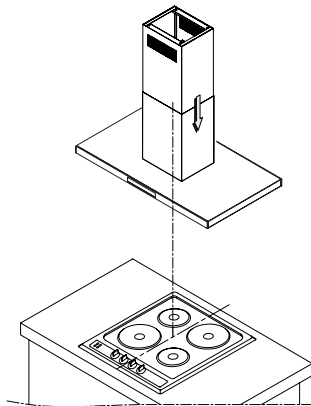
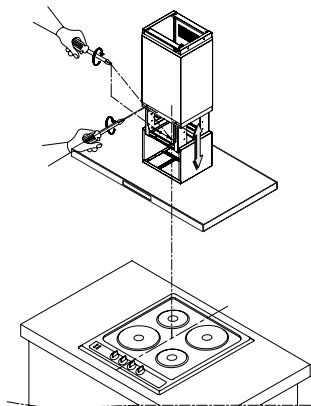


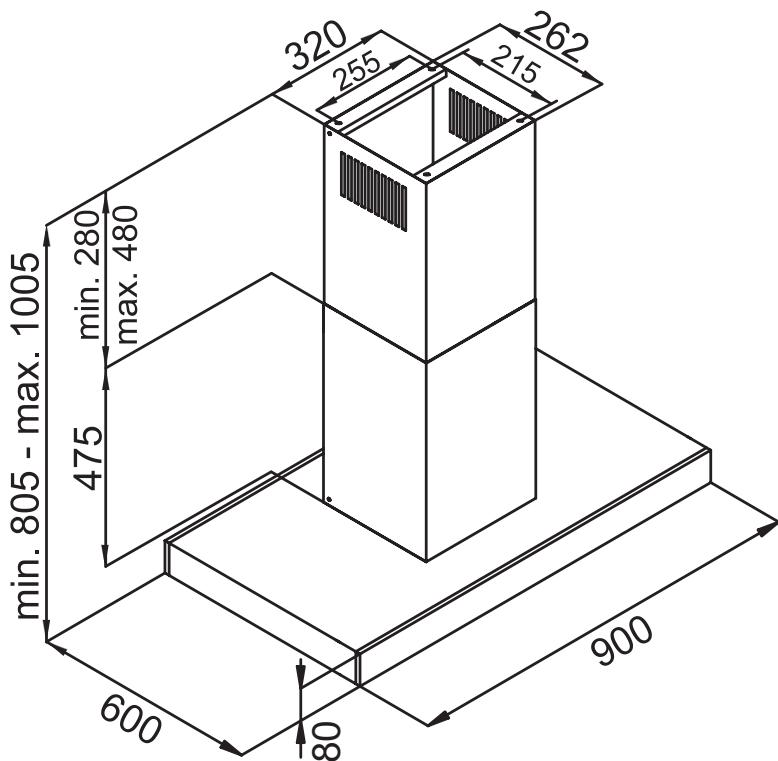
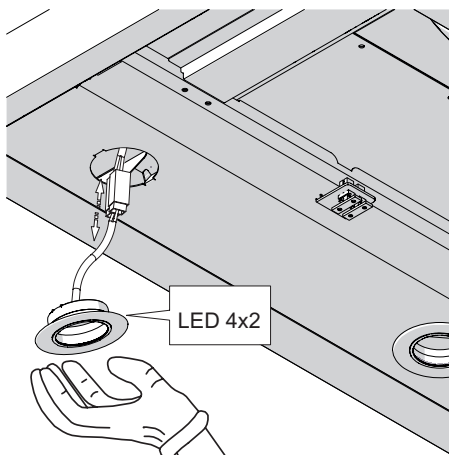
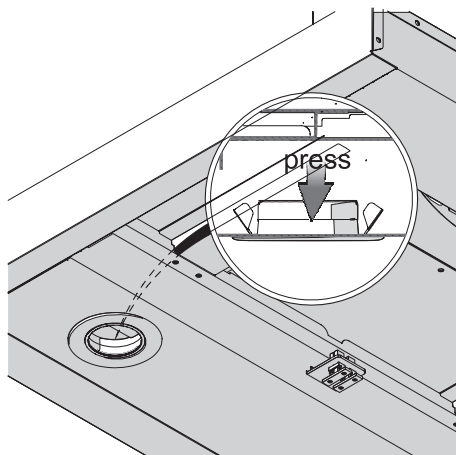
Кухонные вытяжки





Кухонные вытяжки





## Кухонные вытяжки

**ЭЛЕКТРИЧЕСКОЕ СОЕДИНЕНИЕ**

Напряжение сети должно соответствовать напряжению, указанному на табличке технических данных, которая размещена внутри прибора. Если вытяжка снабжена вилкой, подключите вытяжку к штепсельному разъему, отвечающему действующим правилам, который должен быть расположен в легкодоступном месте, что можно сделать и после установки. Если же вытяжка не снабжена вилкой (прямое подключения к сети), или штепсельный разъем не расположен в доступном месте, также и после установки, то используйте надлежащий двухполюсный выключатель, обеспечивающий полное размыкание сети при возникновении условий перенапряжения 3-ей категории, в соответствии с инструкциями по установке.

➔ **Внимание!** прежде чем подключить к сети питания электрическую систему вытяжки и проверить исправное функционирование ее убедитесь в том, что кабель питания правильно смонтирован.

Вытяжка имеет специальный кабель электропитания; в случае повреждения кабеля, необходимо заказать его в службе по техническому обслуживанию.

**ФУНКЦИОНИРОВАНИЕ**

Пользуйтесь интенсивным режимом работы вытяжки в случае особо высокой концентрации кухонных испарений. Мы рекомендуем включить вытяжку за 5 минут до начала

процесса приготовления пищи и оставить ее включенной в течение 15 минут приблизительно по окончании процесса.



Работа вытяжки контролируется при помощи совмещенного переключателя.

Кнопки «-» и «+» – служат для регулировки скорости вентилятора от 1 до 4,

Кнопка «+» – нажатие увеличивает скорость работы вентилятора

Кнопка «-» - нажатие снижает скорость работы вентилятора,.

Кнопка часов – дает возможность запрограммировать время отключения работы вентилятора

Кнопка освещения – включает и выключает освещение в вытяжке, независимо от работы вентилятора.

**Функция программы** (кнопка программирования времени отключения вытяжки);

Timer: существует возможность запрограммировать автоматическое отключение вентилятора вытяжки в любое выбранное тобой время в границах от 10 до 90 минут с 10-ти минутным временным интервалом.

Чтобы включить эту функцию программирования необходимо включить вентилятор вытяжки кнопкой “+” на требуемый режим, а затем нажать кнопку программирования времени отключения вентилятора.



На панели появится мигающая цифра 0, информирующая нас о начале программирования времени.

Набрать время автоматического отключения вентилятора используя кнопку "+", принимая во внимание то, что указанная на панели цифра, умноженная на 10-ти минутный временной интервал соответствует времени позднего отключения вентилятора вытяжки (напр. цифра 1=10 мин, цифра 2=20 мин, цифра 3=30 мин, и т.д.)

Выбрав необходимый интервал времени позднего отключения, необходимо подтвердить выбор повторным нажатием кнопки программирования времени отключения вытяжки, панель перестанет мигать и покажет нам ранее выбранный режим, а мигающая точка при режиме будет отсчитывать оставшееся время до отключения вентилятора вытяжки. Отключить функцию автоматического выключения вентилятора, можно путем нажатия кнопки таймера отключения вытяжки во время отсчета оставшегося до отключения времени.

⇒ **Внимание:** Включение функции автоматического выключения (Timer), необходимо выполнить в течение 20 секунд, в ином случае, когда не будет выполнено данное действие, вытяжка перейдет в автоматический режим нормальной работы.

### УХОД

⇒ **Внимание!** Прежде чем выполнить любую операцию по чистке и л и техническому обслуживанию, отсоеди-

ните вытяжку от электросети, отсоединяя вилку или главный выключатель помещения.

### ОЧИСТКА

Вытяжка должна подвергаться частой очистке как внутри, так и снаружи (по крайней мере с той же периодичностью, что и уход за фильтрами для задержки жира). Для чистки используйте специальную тряпку, смоченную нейтральным жидким моющим средством. Не применяйте средства, содержащие абразивные материалы.

### НЕ ПРИМЕНЯЙТЕ СПИРТ!

⇒ **Внимание:** Не соблюдение правил чистки прибора и замены фильтров может привести к риску возникновения пожара. Поэтому рекомендуем соблюдать приведенные инструкции.

Снимается любая ответственность в связи с возможными повреждениями двигателя и с пожарами, возникшими вследствие неправильного ремонта или несоблюдения вышеописанных предупреждений.

### ФИЛЬТРЫ ЗАДЕРЖКИ ЖИРА

**Удерживает частицы жира, исходящие от плиты.** Фильтр следует зачищать ежемесячно (или когда система индикации насыщения фильтров, если она имеется в Вашей модели, указывает на данную необходимость) неагрессивными моющими средствами, вручную или в посудомоечной машине при низкой температуре и экономичном цикле мытья.

## Кухонные вытяжки

При мытье в посудомоечной машине может иметь место некоторое обесцвечивание фильтра задержки жира, но его фильтрующая характеристика остается абсолютно неизменной.

Для снятия фильтра задержки жира потяните к себе подпружиненную ручку отцепления фильтра.

### УГОЛЬНЫЙ ФИЛЬТР

Угольные фильтры используются только тогда, когда вытяжка не подключена к вентиляционному каналу. Фильтры с активированным углем имеют свойство впитывания запахов до полного впитывания. Не подлежат регенерации либо очистке, должны меняться, по меньшей мере, раз в два месяца.

а) Снять металлический жирособиравший фильтр

б) Затем новый угольный фильтр наложить на жирособиравший фильтр, во избежание выпадения фильтра, использовать крепитель.

### ЗАМЕНА ЛАМП

Отключите прибор от электросети.

Система подсветки состоит из двух led ламп мощностью 4x2 Вт.

Для замены лампочки необходимо:

а) Осторожно держа галогенную лампочку, повернуть её на четверть оборота по часовой стрелке.

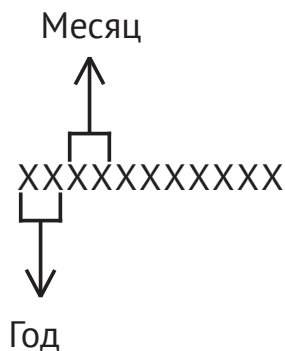
б) Заменить лампочку.

в) Вставить новую галогенную лампочку в гнездо и повернуть её против часовой стрелки.

➤ **Внимание:** Замена галогенных лампочек производится после полного остывания!

Разрешается пользоваться галогенными лампочками только того номинала, который указан в монтажной схеме.

➤ **Осторожно:** Во время пользования освещением запрещается прикасаться к лампочке, потому что стекло лампочки нагревается до высоких температур.

**СЕРИЙНЫЙ НОМЕР:****Производители:**

ЦИАРКО Сп. з о.о. С.К.А.  
ул. Окулицкиего 10, 38-500 Санок, Польша

**Импортер:**


ООО «Эм-Джи Русланд», 141400  
г.Химки, ул.Бутаково, д.4






## ООО «КУППЕРСБЕРГ-СЕРВИС»

УСТАНОВКА, ГАРАНТИЙНОЕ И ПОСТГАРАНТИЙНОЕ ОБСЛУЖИВАНИЕ  
ПО МОСКВЕ И МОСКОВСКОЙ ОБЛАСТИ

 +7 (495) 236-90-67

---

Телефон горячей линии Kuppersberg:

 8 (800) 250-17-18

(Звонки для всех регионов бесплатные).

 Часы работы линии: с 9:00 до 18:00 Пн-Пт

---

⇒ Полный список авторизованных сервисных центров Kuppersberg можно найти на официальном сайте компании

 <http://kuppersberg.ru>

---

⇒ Данный паспорт технического изделия заменяет гарантийный талон.

⇒ Гарантийный срок исчисляется со дня заключения договора купли-продажи.

⇒ При отсутствии документов подтверждающих покупку, эти сроки исчисляются со дня изготовления товара (Ст. 19 ЗоЗПП, пункт 2).

---

## УСЛОВИЯ ГАРАНТИИ

Настоящие условия гарантии действительны на территории России, если иные условия не установлены действующим законодательством:

1. Изготовитель устанавливает гарантийный срок 2 (два) года со дня передачи Потребителю на следующие виды техники: воздухоочистители, встраиваемую технику. Срок службы бытовой техники «Kuppersberg» при соблюдении правил эксплуатации и применения ее в бытовых целях составляет 10 (десять) лет.

2. Гарантия распространяется на изделия, использующиеся только для личных, семейных, домашних нужд, а также нужд, не связанных с осуществлением предпринимательской деятельности.

3. Проследите, чтобы гарантийный талон был правильно заполнен, не имел исправлений и в нем были указаны: дата продажи, штамп торговой организации и подпись продавца, модель и серийный номер изделия, дата установки, название и штамп фирмы-установщика.

4. Сохраняйте гарантийный документ, чек на проданное изделие и квитанцию на услуги по его установке (доставке), доработке водяных и электрических внутриквартирных коммуникаций, а также любые другие документы, относящиеся к гарантийному или техническому обслуживанию изделия.

5. Прежде чем вызвать специалиста сервисного центра, внимательно прочитайте инструкцию по эксплуатации изделия. Если изделие исправно, то за сервисным центром остается право требовать от Потребителя оплаты ложного вызова.

6. Любые претензии по качеству изделия рассматриваются только после предварительной проверки качества изделия представителем сервисного центра.

7. Изготовитель не несет какой-либо ответственности за любой возможный ущерб, нанесенный потребителю, в случае несоблюдения последним требований Изготовителя, указанных в данном гарантийном документе и инструкции по эксплуатации.

8. Гарантийный срок на элементы освещения (галогеновые, светодиодные и лампы накаливания) составляет 15 дней со дня продажи прибора.

**Гарантия не распространяется на изделия, недостатки в которых возникли вследствие:**

1. Несоблюдения требований Изготовителя, указанных в гарантийном документе;
2. Несоблюдения Потребителем правил установки, подключения, эксплуатации, хранения или транспортировки изделия, указанных в инструкции по эксплуатации;
3. Ремонта неуполномоченными на то лицами, если таковой ремонт повлек за собой отказ изделия;
4. Разборки изделия, изменения конструкции и других вмешательств, непредусмотренных инструкцией по эксплуатации;
5. Неисправностей и повреждений, вызванных экстренными условиями и действием непреодолимой силы (пожар, стихийные бедствия, и т.д.);
6. Повреждений техники или нарушений ее нормальной работы, вызванных животными или насекомыми;
7. Повреждений техники или нарушений ее нормальной работы, вызванных сверхнормативными отклонениями параметров сети электро-, газо-, или водоснабжения от номинальных значений;
8. Исползования изделия для предпринимательской деятельности или в непредусмотренных целях;
9. Образования на нагревательных элементах избыточного слоя накипи (при повышенной жесткости воды необходима обработка соответствующими составами);
10. Попадания во внутренние рабочие объемы изделия посторонних предметов, мелких деталей одежды или остатков пищи;
11. Механических повреждений изделия Потребителем (царапины, трещины, сколы и т.п.);
12. Потери товарного вида изделия вследствие воздействия на изделие химических веществ;
13. Термических и других подобных повреждений, которые возникли в процессе эксплуатации.

**Изготовитель не принимает претензии в следующих случаях:**

1. Несоблюдение правил установки;
2. Отсутствие оригинального гарантийного талона;
3. Отсутствие в гарантийном талоне следующих сведений: даты продажи, штампа торгующей организации, подписи продавца, модели и серийного номера изделия;
4. Внесение любых исправлений (изменений) в текст гарантийного документа.

**Установка и подключение крупной бытовой техники:**

1. Производитель рекомендует Вам доверить установку и подключение изделия «Kuppersberg» специалистам сервисного центра. Вы можете также обращаться в любую другую организацию, имеющую сертификат на оказание подобных услуг.

2. Оплата работ по установке и подключению изделия происходит по прейскуранту сервисного центра. Условия оплаты работ по установке и подключению регулируются действующим законодательством. Изготовитель не несет какой-либо ответственности за любой ущерб, нанесенный имуществу граждан вследствие установки и подключения, не соответствующих требованиям, указанным в инструкции по эксплуатации, и произведенных неуполномоченными на то лицами.

3. В случае нарушения требований Изготовителя по установке и подключению, ответственность за причиненный ущерб несет лицо, проводившее эту работу.

4. Газовая бытовая техника может быть установлена только специалистом, имеющим допуск на установку газового оборудования. Гарантийное обслуживание осуществляется только при наличии отметки об установке или документа уполномоченной организации.

Изделие, имеющее трех-контактную сетевую вилку, обязательно должно быть заземлено!



⇒ **ВНИМАНИЕ!**

**ДАННЫЙ ПАСПОРТ ИЗДЕЛИЯ  
ТАК ЖЕ ЯВЛЯЕТСЯ  
ГАРАНТИЙНЫМ ТАЛОНОМ,  
ПРОСЬБА НЕ УНИЧТОЖАТЬ  
ДО КОНЦА ЭКСПЛУАТАЦИИ  
ТЕХНИКИ.**

⇒ Kuppersberg

⇒ [www.kuppersberg.ru](http://www.kuppersberg.ru)

⇒ [info@kuppersberg.ru](mailto:info@kuppersberg.ru)