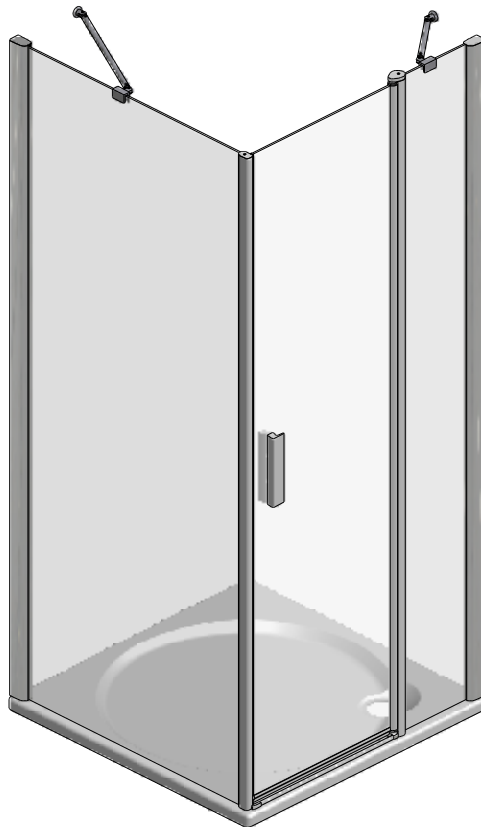
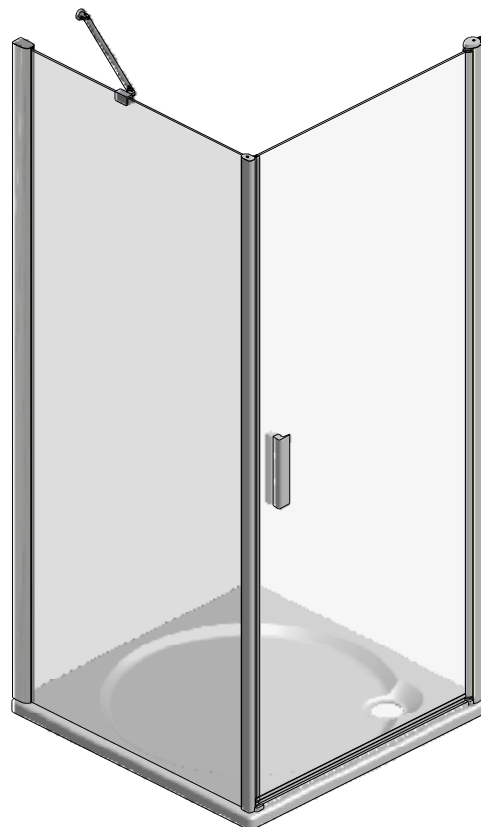


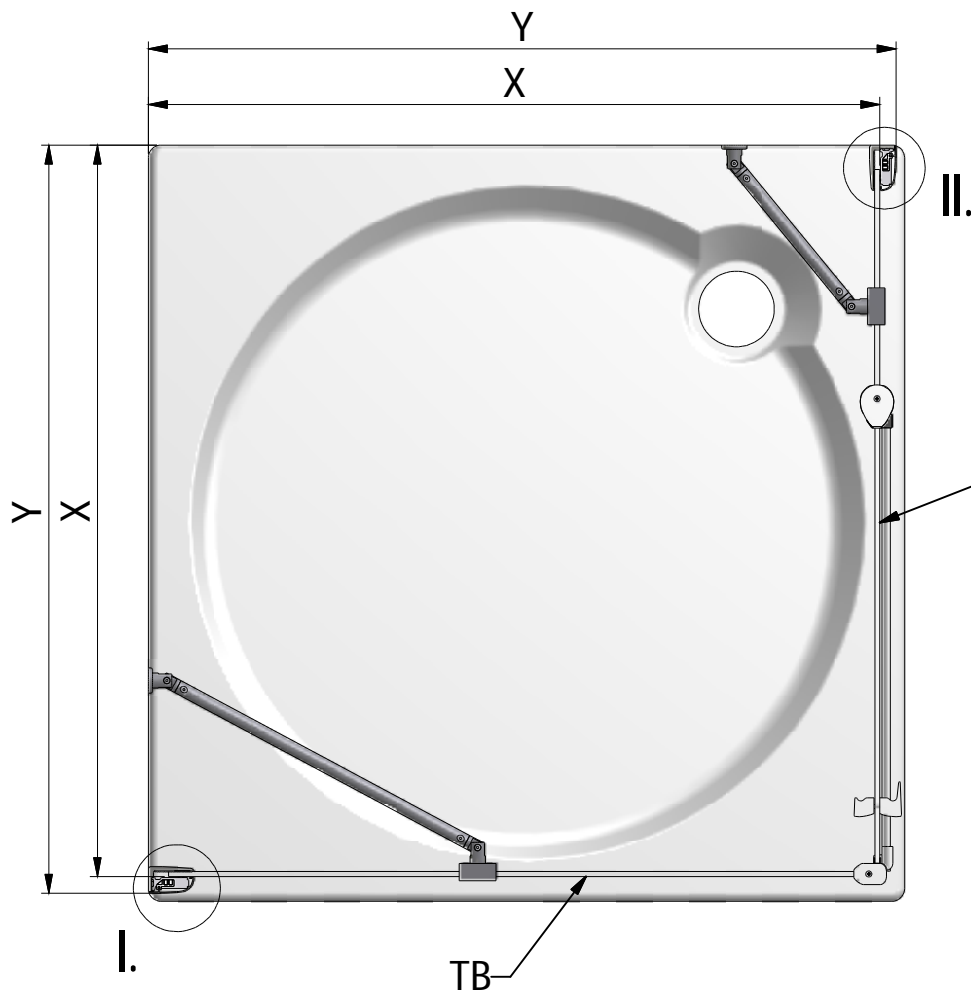
TB+TDO1



TB+TCO1

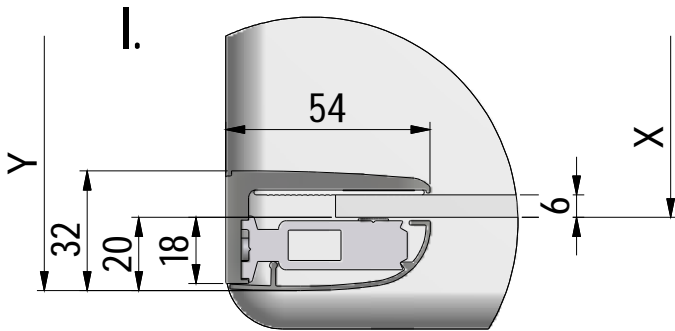
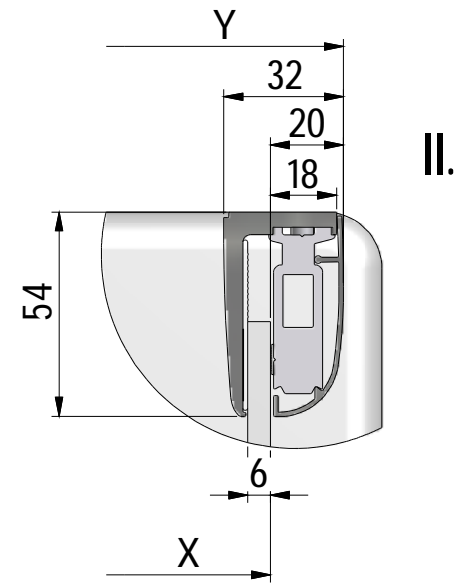


TB+TDO1



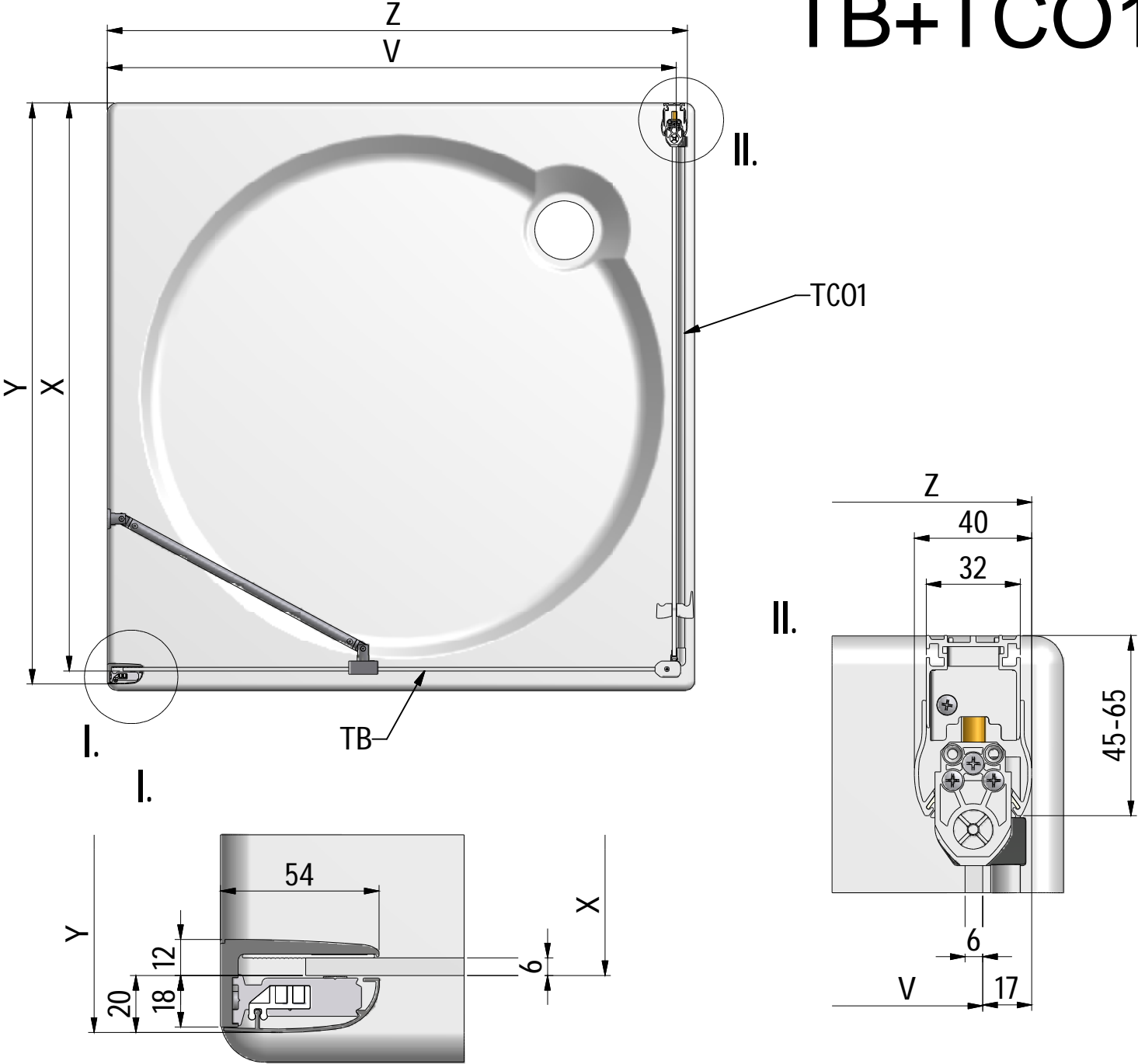
TD01

TB

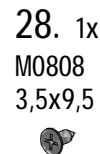
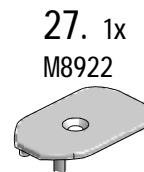
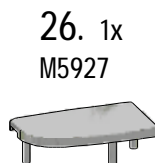
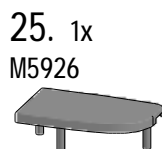
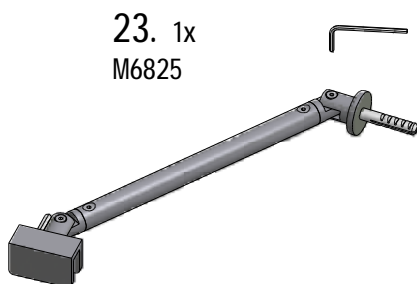
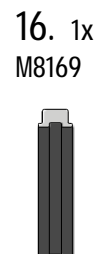
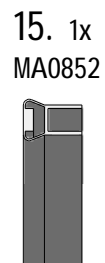
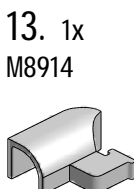
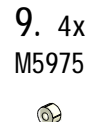
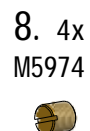
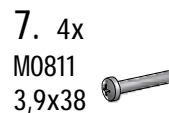
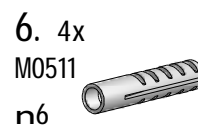
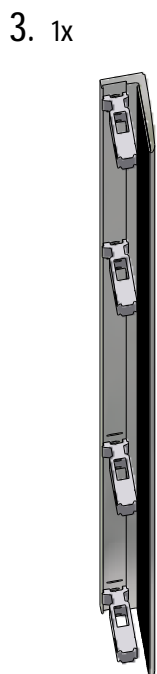
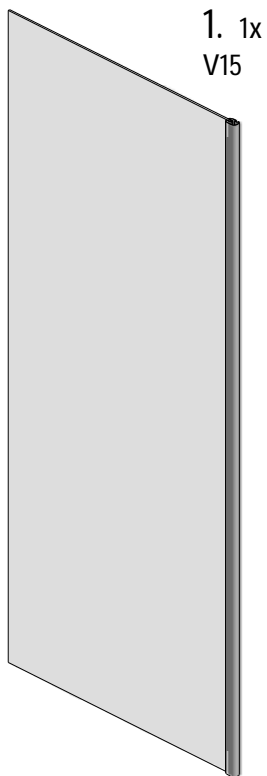


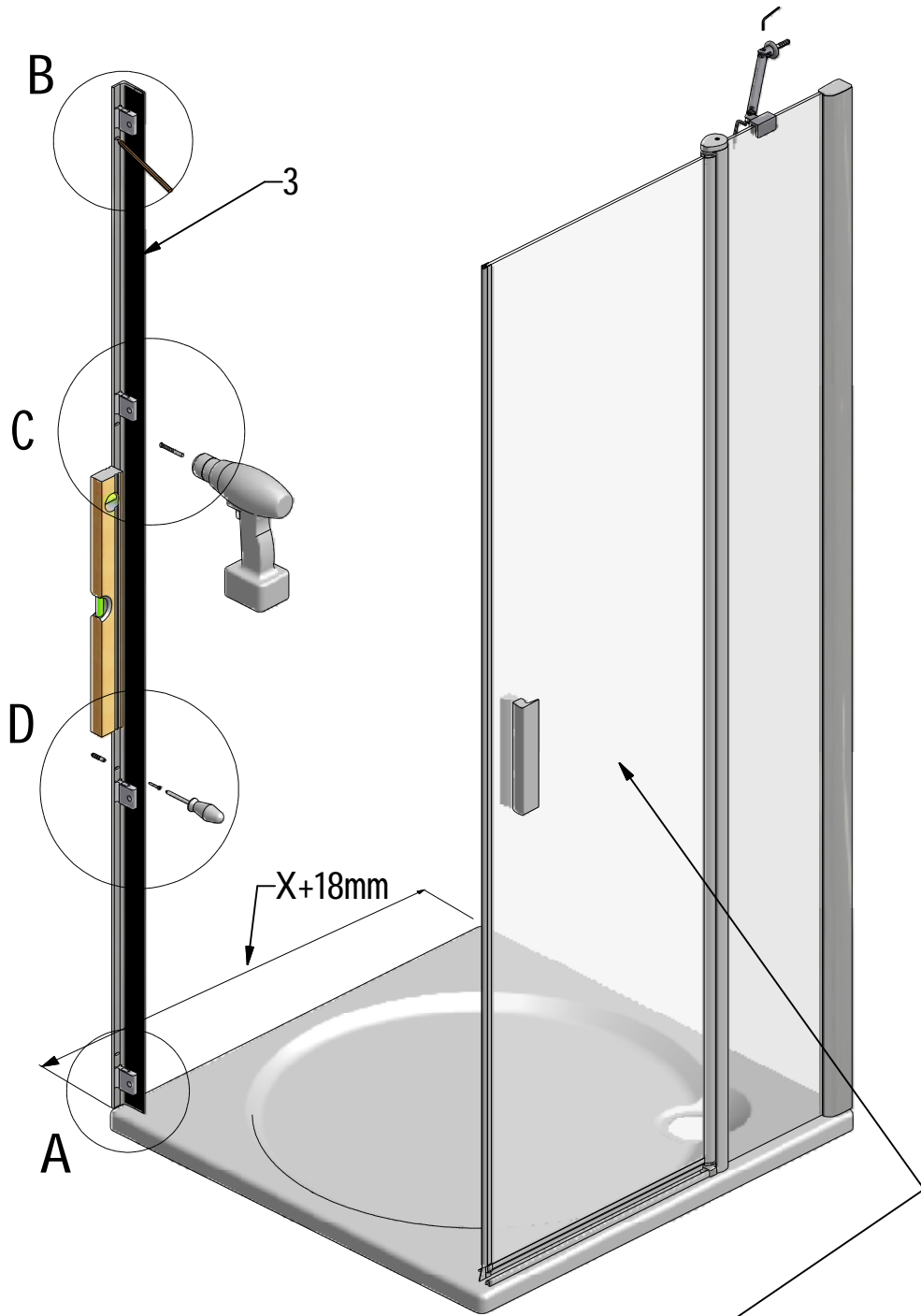
| | X (mm) | | Y (mm) | |
|------|--------|-----|--------|-----|
| | MIN | MAX | MIN | MAX |
| 700 | 655 | 670 | 675 | 690 |
| 750 | 705 | 720 | 725 | 740 |
| 800 | 755 | 770 | 775 | 790 |
| 900 | 855 | 870 | 875 | 890 |
| 1000 | 955 | 970 | 975 | 990 |

TB+TCO1

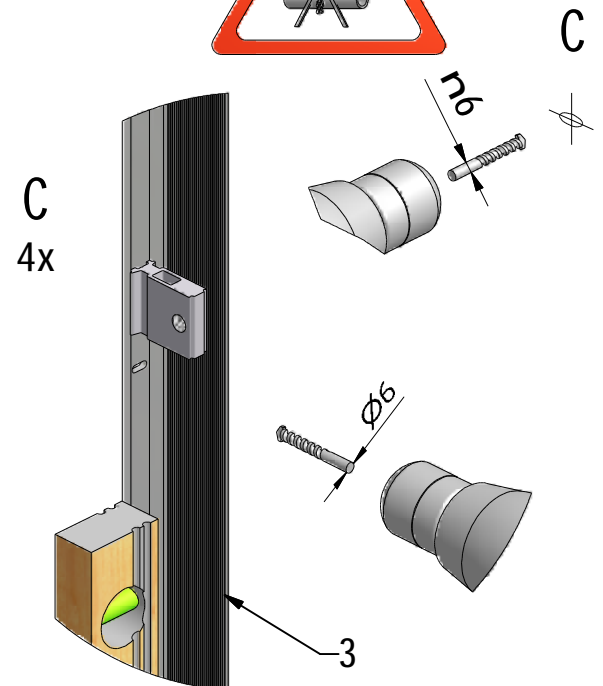
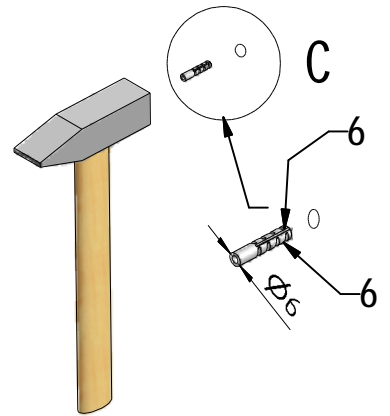
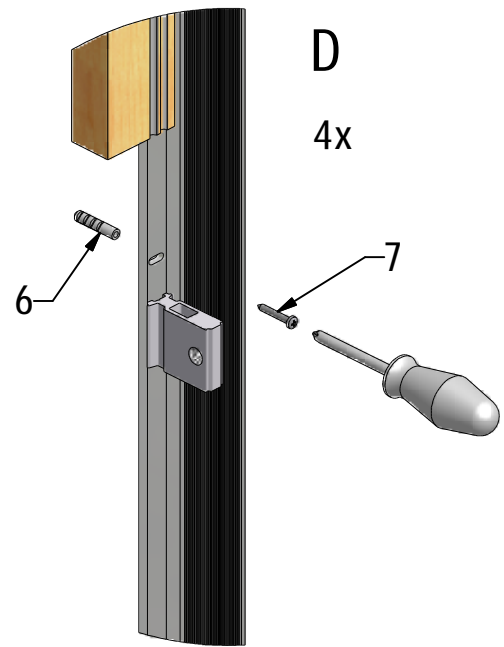
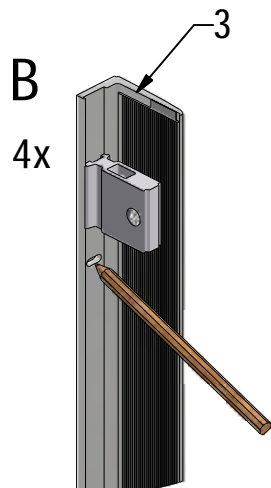
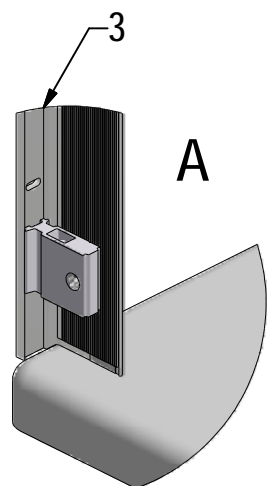


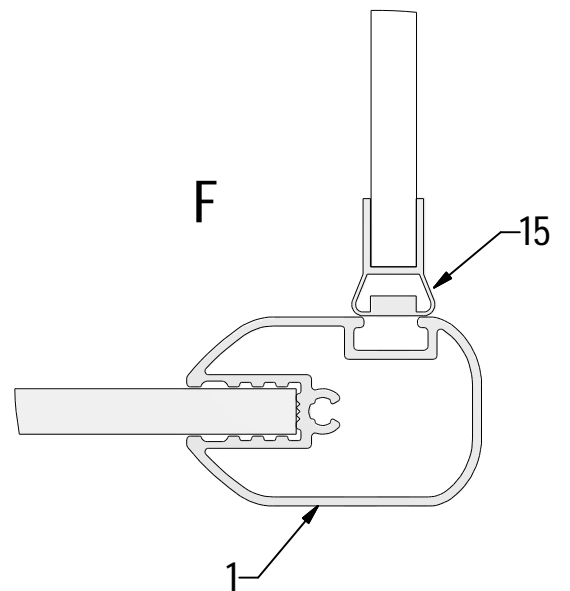
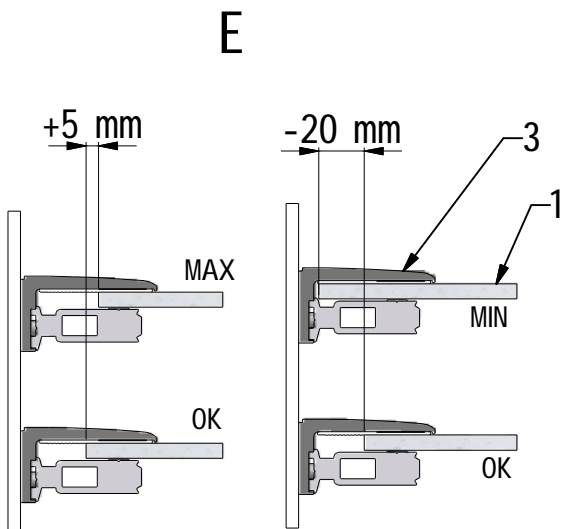
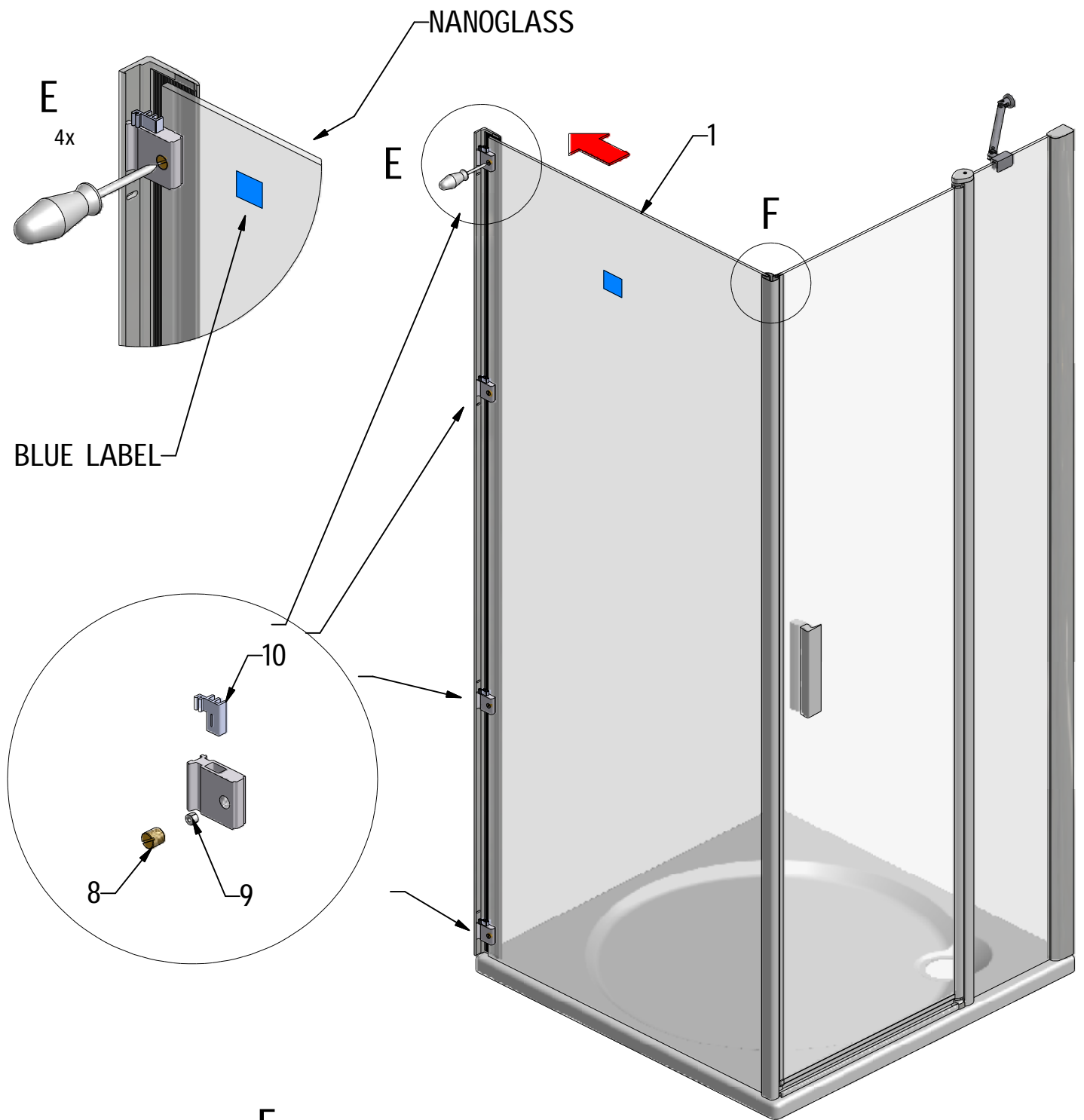
| | TCO1 | | | | TB | | | |
|------|-------|-----|-------|------|-------|-----|-------|-----|
| | X(mm) | | Y(mm) | | V(mm) | | Z(mm) | |
| | MIN | MAX | MIN | MAX | MIN | MAX | MIN | MAX |
| 700 | - | - | - | - | 650 | 670 | 667 | 687 |
| 750 | - | - | - | - | 700 | 720 | 717 | 737 |
| 800 | 765 | 780 | 785 | 800 | 750 | 770 | 767 | 787 |
| 900 | 865 | 880 | 885 | 900 | 850 | 870 | 867 | 887 |
| 1000 | 965 | 980 | 985 | 1000 | 950 | 970 | 967 | 987 |

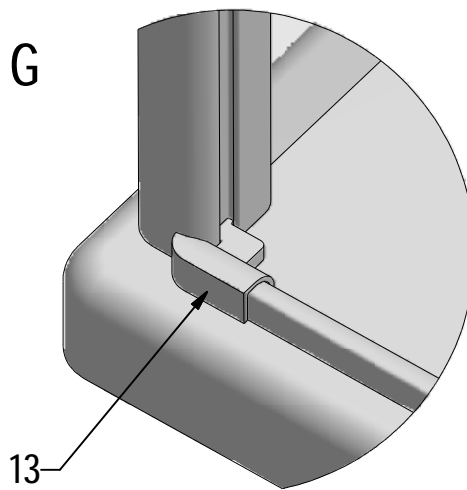
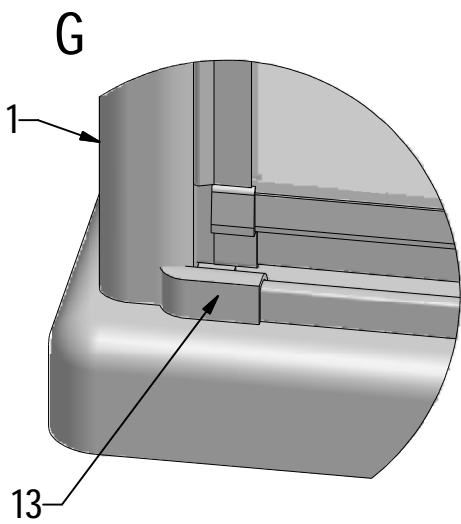
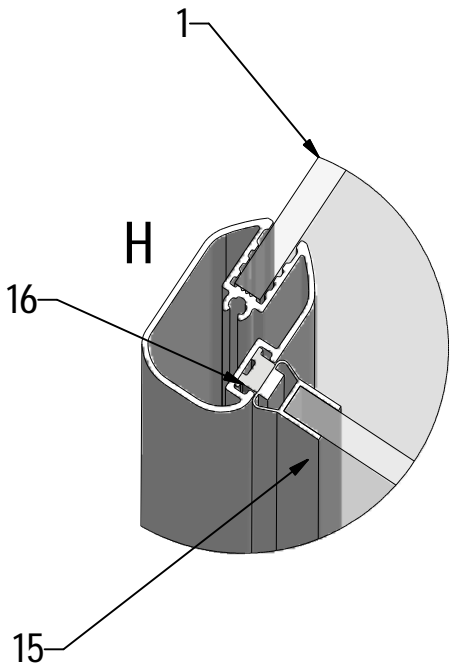
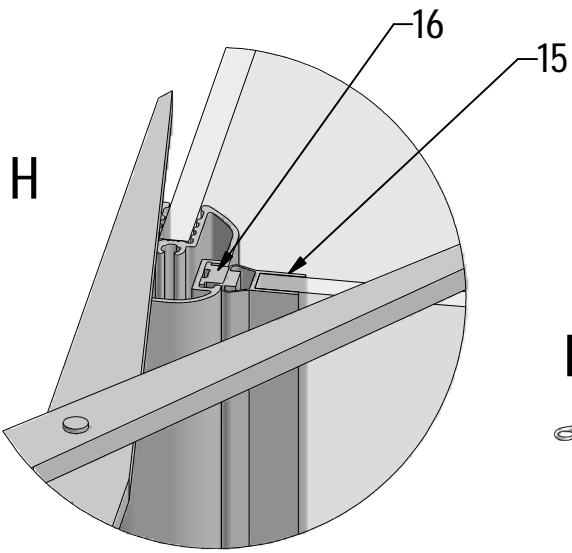


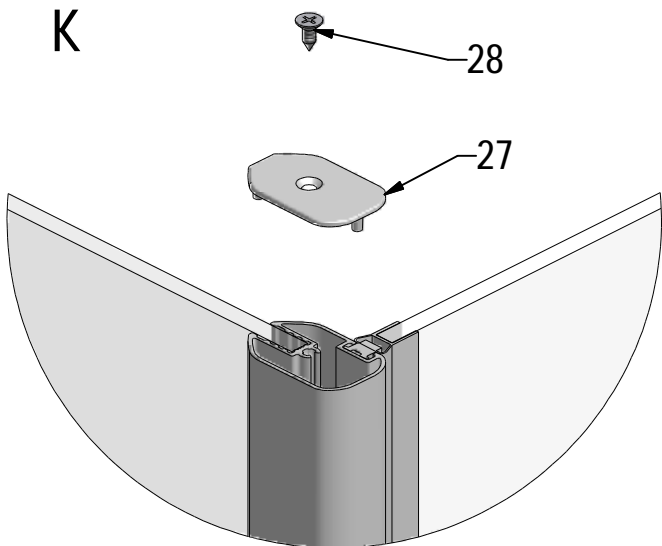
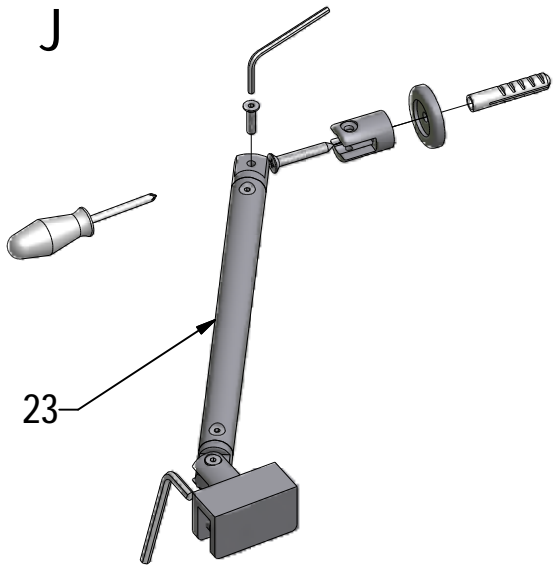
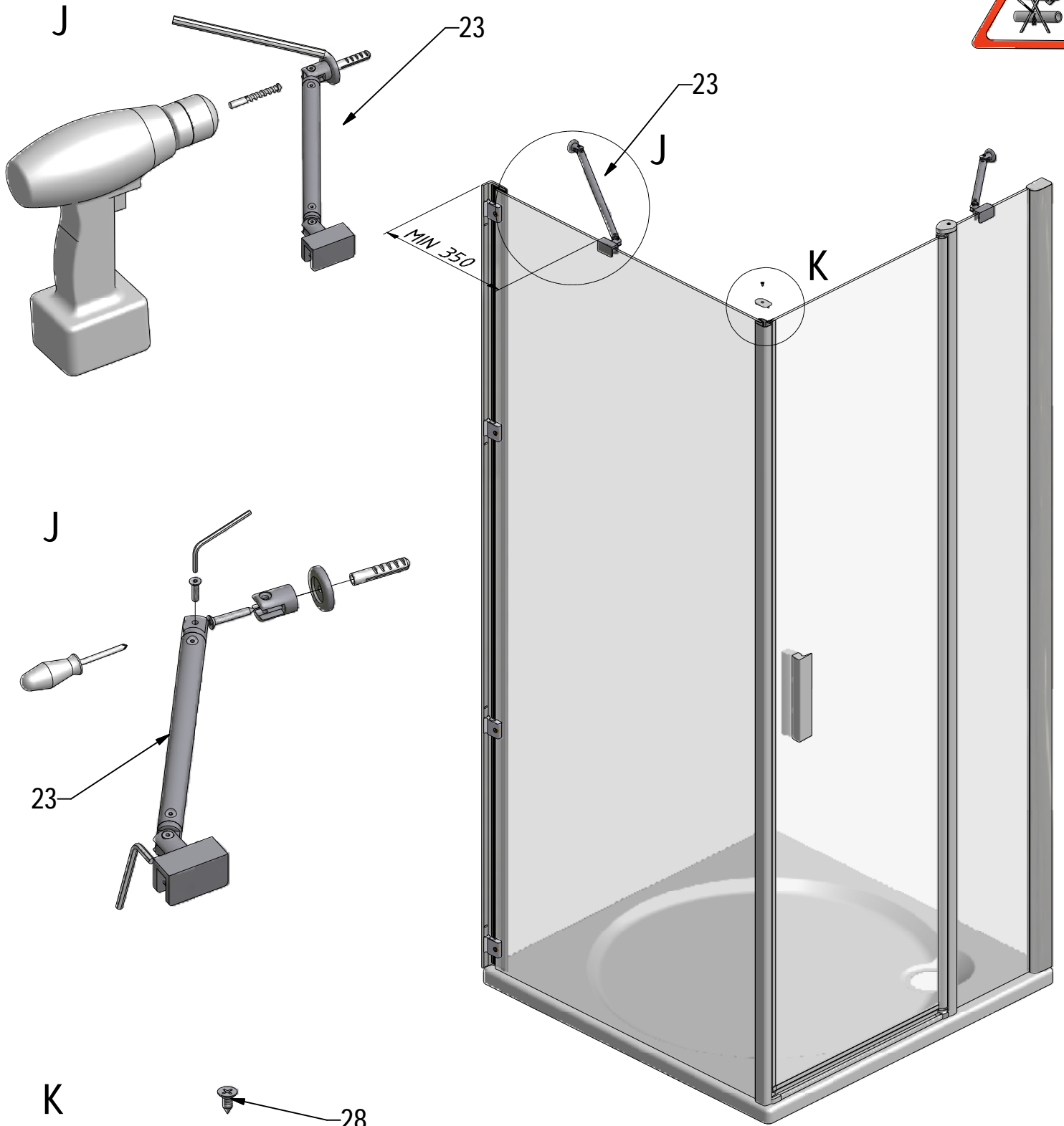


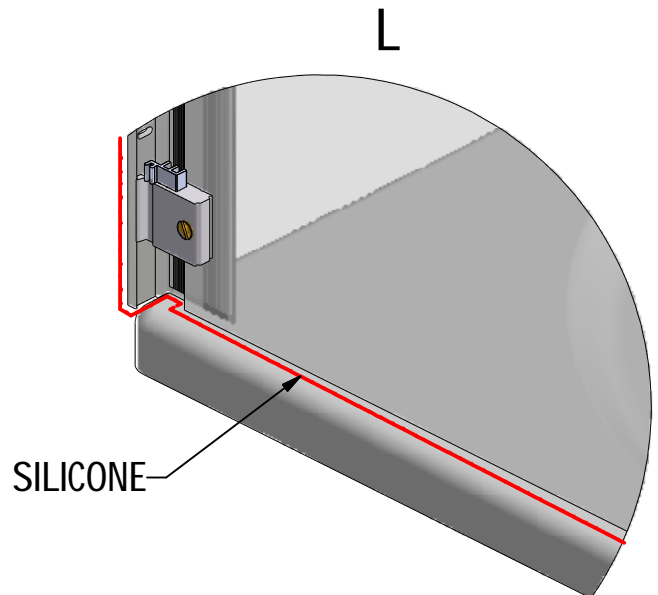
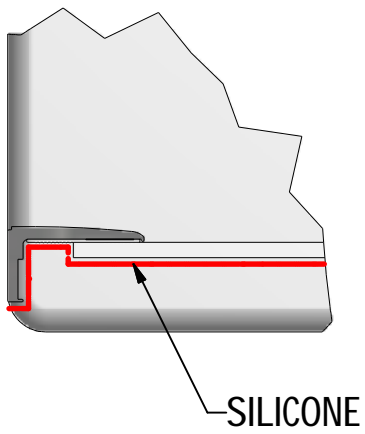
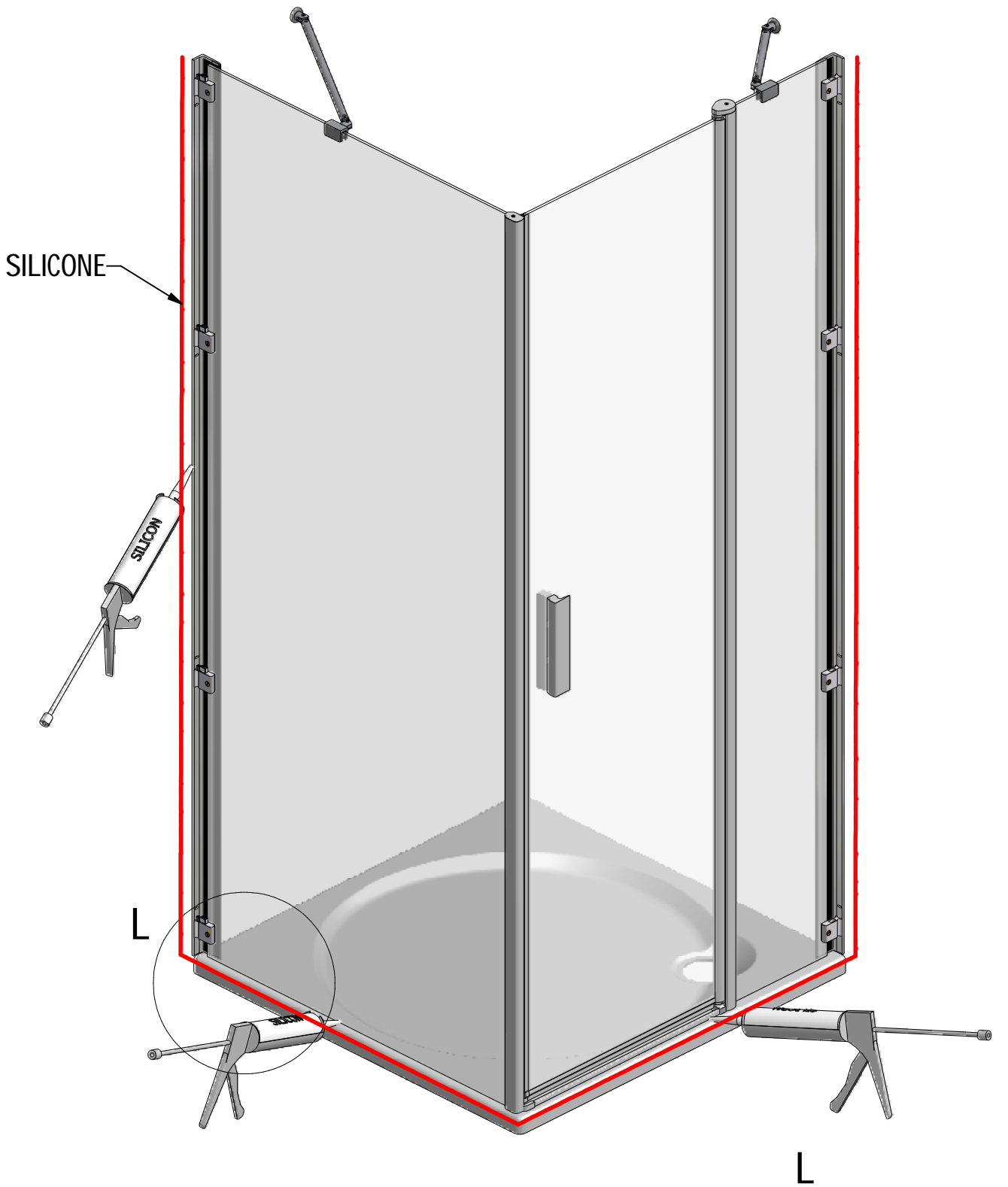
manual TD01 (TC01)

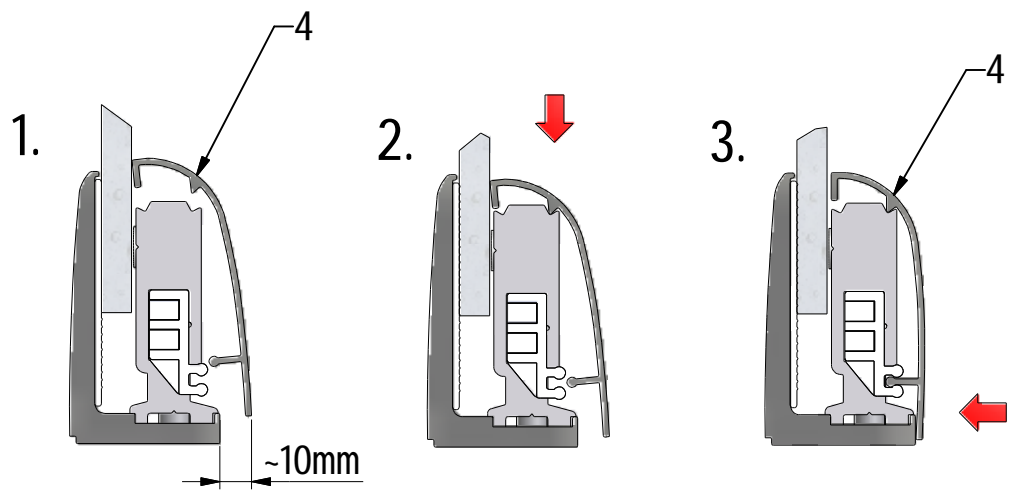
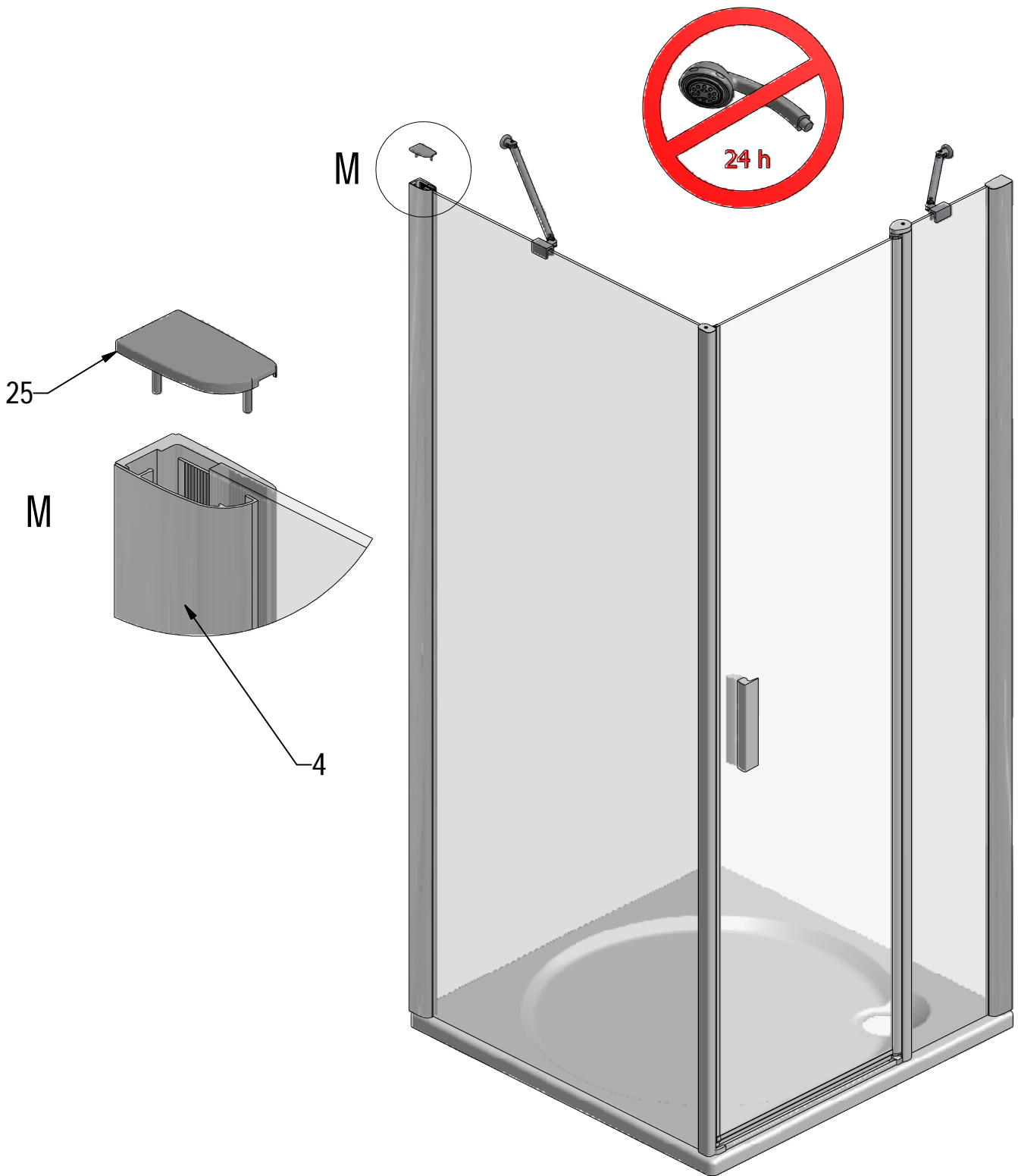




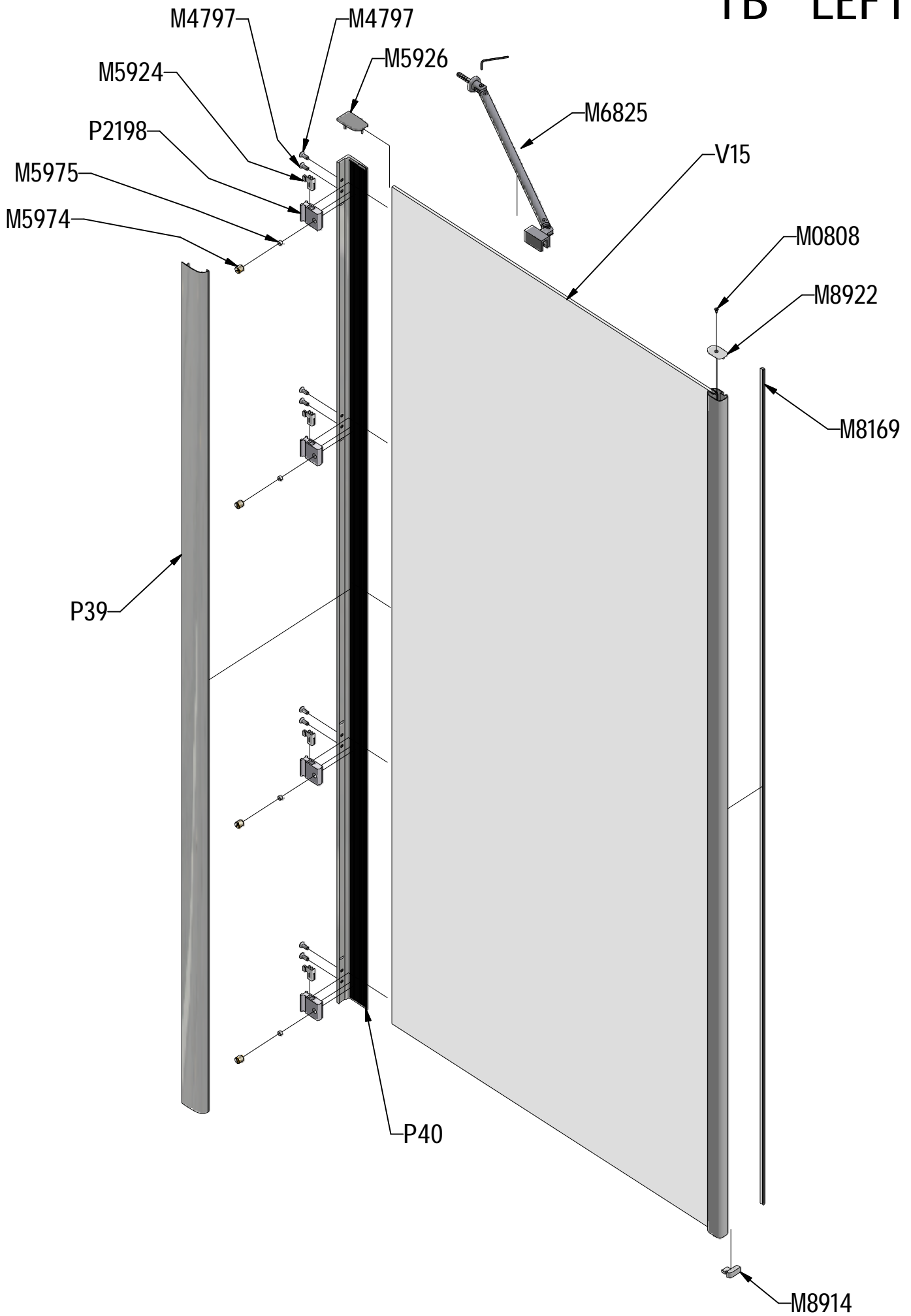




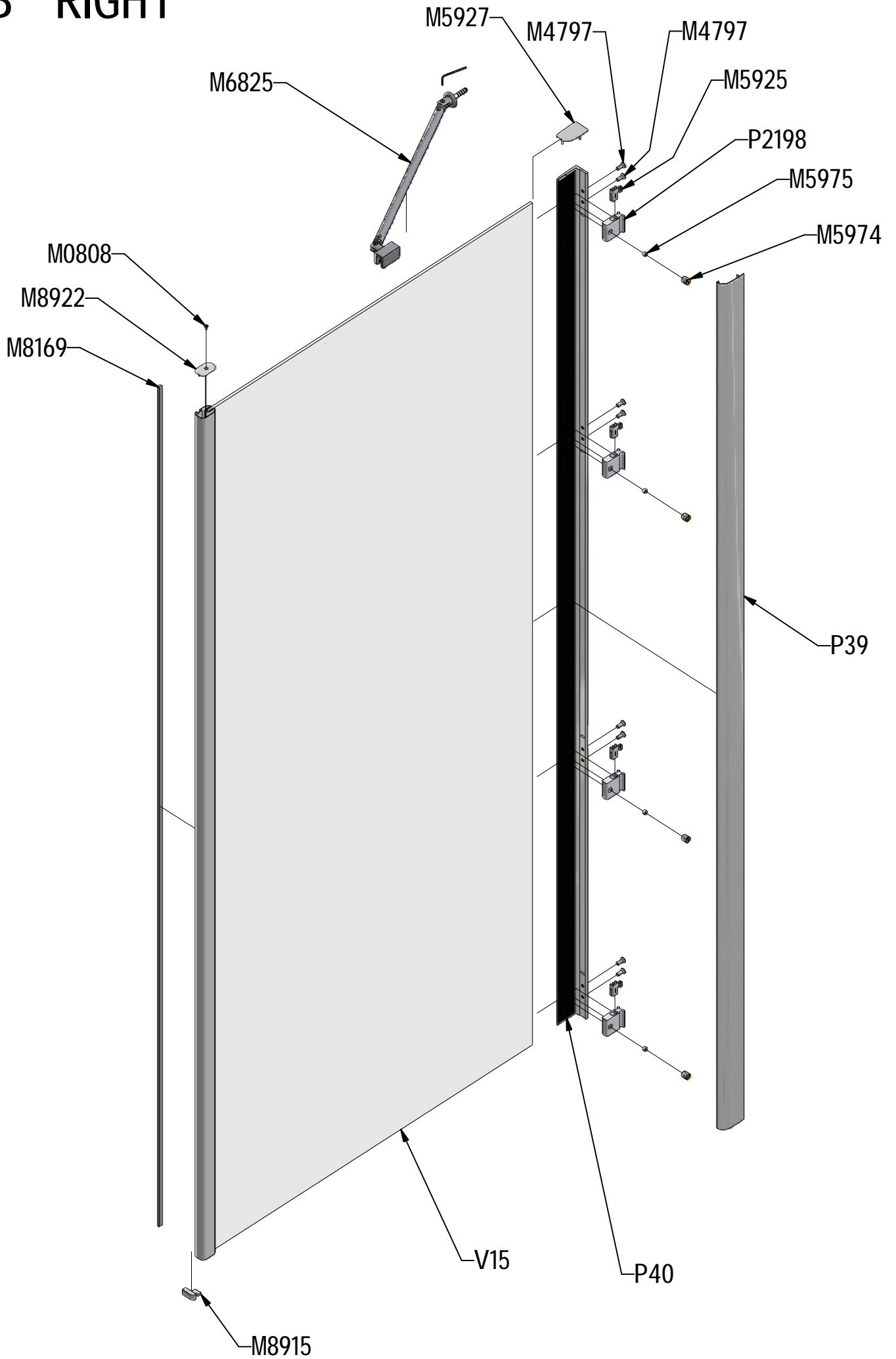




TB LEFT



TB RIGHT



| | | | |
|-----|--|----------|--------------|
| P39 | | brillant | P2206 |
| | | elox | P2208 |
| P40 | | brillant | ND01-0996-00 |
| | | elox | ND01-0996-01 |

| | | | | |
|-----|------|-----------------------------|-----------------------|-------------------|
| V15 | 700 | brillant+clear glass | brillant+čiré sklo | ND03-0347-00-02 |
| | | elox+clear glass | elox+čiré sklo | ND03-0347-01-02 |
| | 750 | brillant+clear glass | brillant+čiré sklo | ND03-0348-00-02 |
| | | elox+clear glass | elox+čiré sklo | ND03-0348-01-02 |
| | 800 | brillant+clear glass | brillant+čiré sklo | ND03-0349-00-02 |
| | | brillant+intima glass left | brillant+intima levé | ND03-0349-00-20-L |
| | | brillant+intima glass right | brillant+intima pravé | ND03-0349-00-20-P |
| | | elox+clear glass | elox+čiré sklo | ND03-0349-01-02 |
| | | elox+intima glass left | elox+intima levé | ND03-0349-01-20-L |
| | | elox+intima glass right | elox+intima pravé | ND03-0349-01-20-P |
| | 900 | brillant+clear glass | brillant+čiré sklo | ND03-0350-00-02 |
| | | brillant+intima glass left | brillant+intima levé | ND03-0350-00-20-L |
| | | brillant+intima glass right | brillant+intima pravé | ND03-0350-00-20-P |
| | | elox+clear glass | elox+čiré sklo | ND03-0350-01-02 |
| | | elox+intima glass left | elox+intima levé | ND03-0350-01-20-L |
| | | elox+intima glass right | elox+intima pravé | ND03-0350-01-20-P |
| | 1000 | brillant+clear glass | brillant+čiré sklo | ND03-0351-00-02 |
| | | brillant+intima glass left | brillant+intima levé | ND03-0351-00-20-L |
| | | brillant+intima glass right | brillant+intima pravé | ND03-0351-00-20-P |
| | | elox+clear glass | elox+čiré sklo | ND03-0351-01-02 |
| | | elox+intima glass left | elox+intima levé | ND03-0351-01-20-L |
| | | elox+intima glass right | elox+intima pravé | ND03-0351-01-20-P |



**ROLTECHNIK a.s. / Třebořov 160 / 569 33,
CZECH REPUBLIC**

10

EN 14428:2008+A1