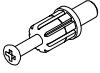



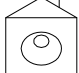

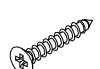

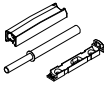
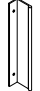
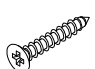
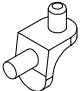

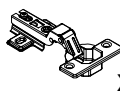
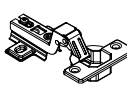
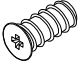

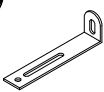

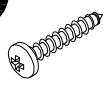
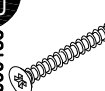
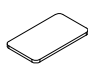
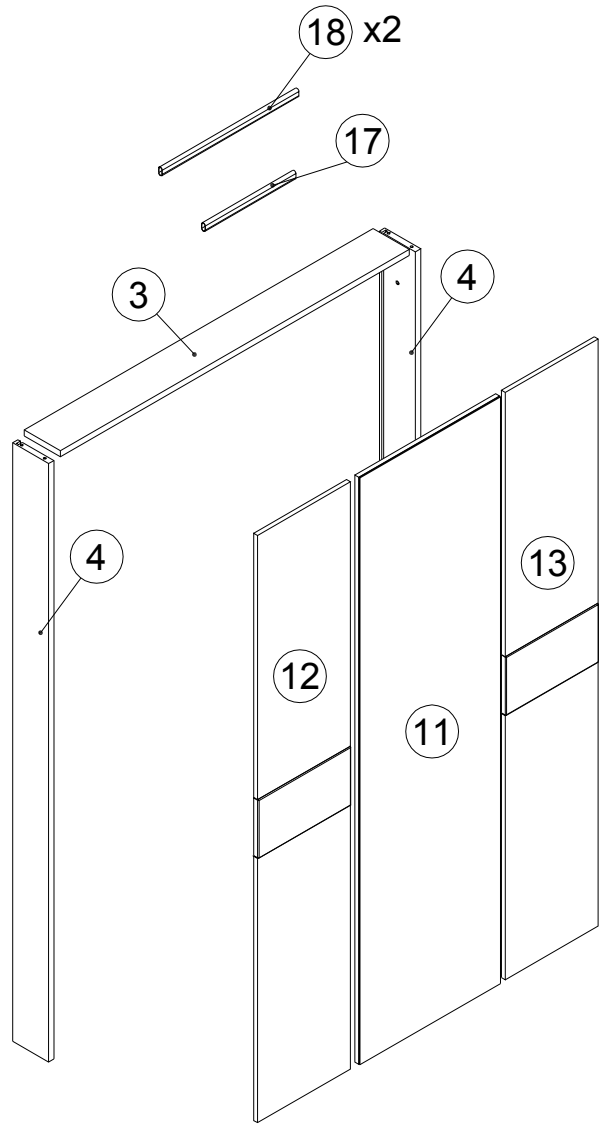
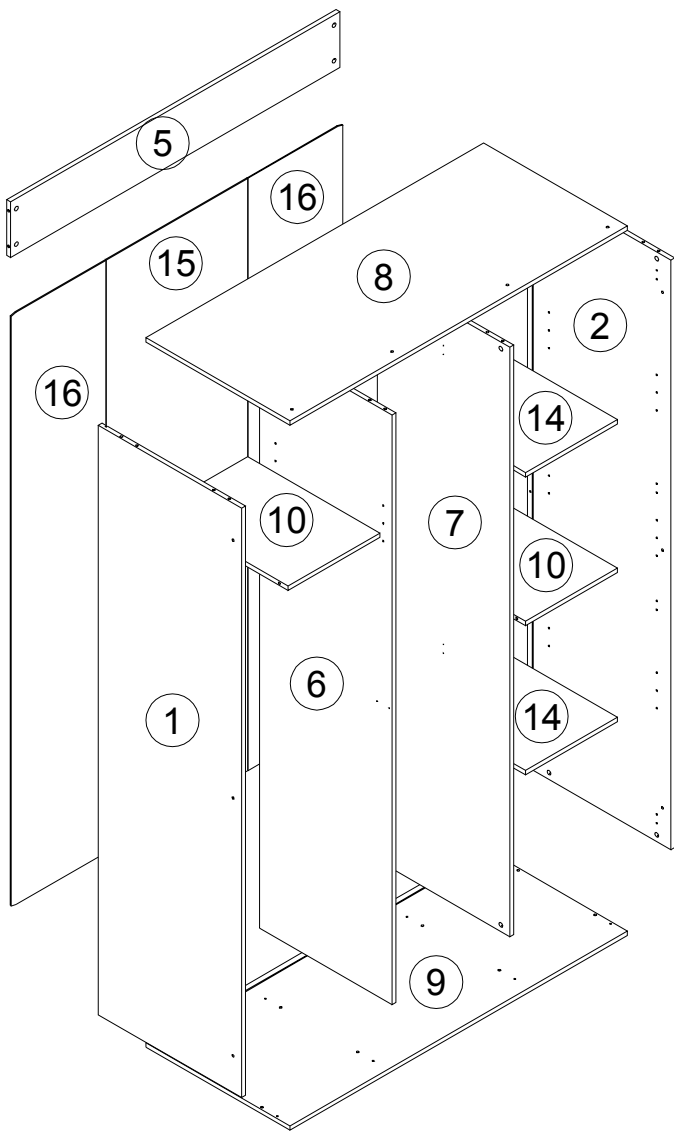


- | | |
|---|-------------------------------------|
| (D) Montageanleitung | (GB) Assembly instructions |
| (FR) Notice de montage | (IT) Istruzioni di montaggio |
| (NL) Handleiding voor de montage | (PL) Instrukcja montazu |
| (CZ) Montážni návod | (SK) Návod na montáž |
| (HU) Szerelési útmutató | (RO) Instrucțiuni de montaj |
| (TR) Montaj talimati | (RU) Инструкция по монтажу |

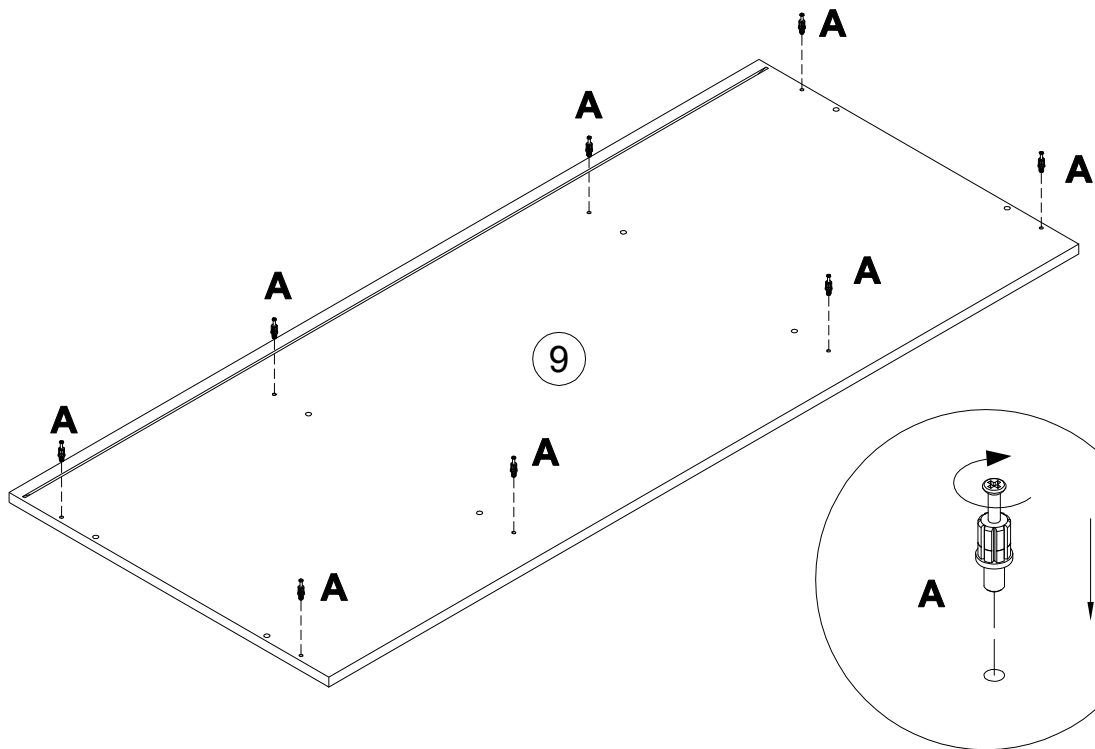
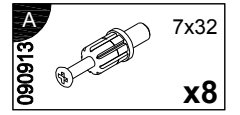


A 090913  7x32 x28	B 000146  15x12 x28	C 100640  20x0.5 x24	D 000151  8x35 x20	E 135021  x24	F 062367  x12
G 000759  3x20 x36	H 170390  x6	I 141728  x2	J 218778  x1	K 000762  3.5x13 x18	L 125913  x8
M 097681  M6x25 x10	N 168983  x6	O 168847  x8	P 235594  6,3x16 x28	Q 010942  4x16 x28	R 155999  x1
S 013859  8x40 x1	T 000754  3.5x16 x2	U 090185  4.5x45 x1	V 230041  22x16 x6		

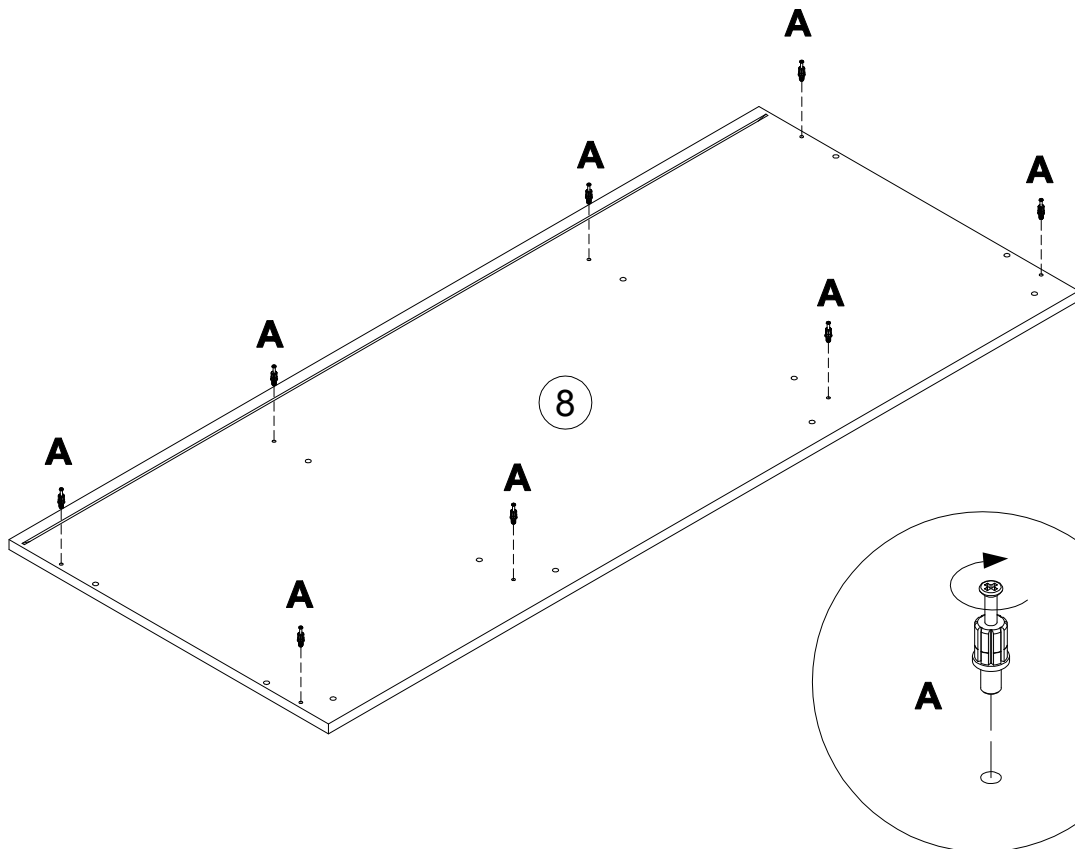
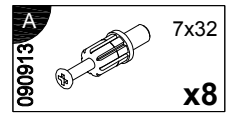
N	Size/MaB (mm)	Qty	✓	N	Size/MaB (mm)	Qty	✓
1	2122x596x16	1		11	2114x585x21	1	
2	2122x596x16	1		12	2114x386x19	1	
3	1450x150x22	1		13	2114x386x19	1	
4	2154x150x22	2		14	382x550x16	2	
5	1369x200x16	1		15	2132x587x3	1	
6	2122x551x16	1		16	2132x394x3	2	
7	2122x551x16	1		17	L=377	1	
8	1403x598x16	1		18	L=568	2	
9	1403x598x16	1					
10	382x550x16	2					



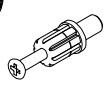

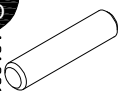
1

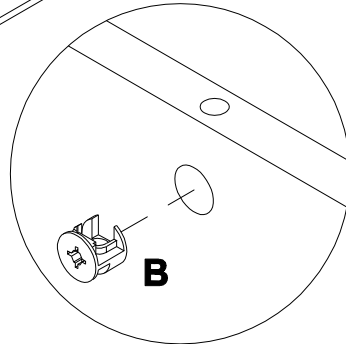
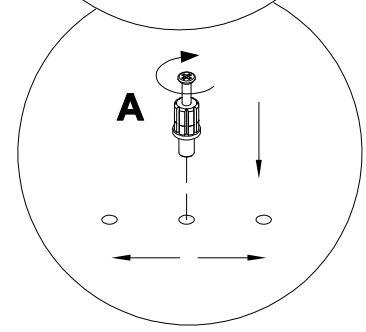
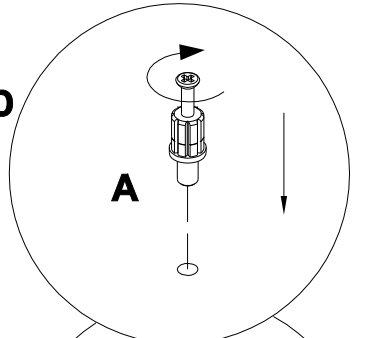
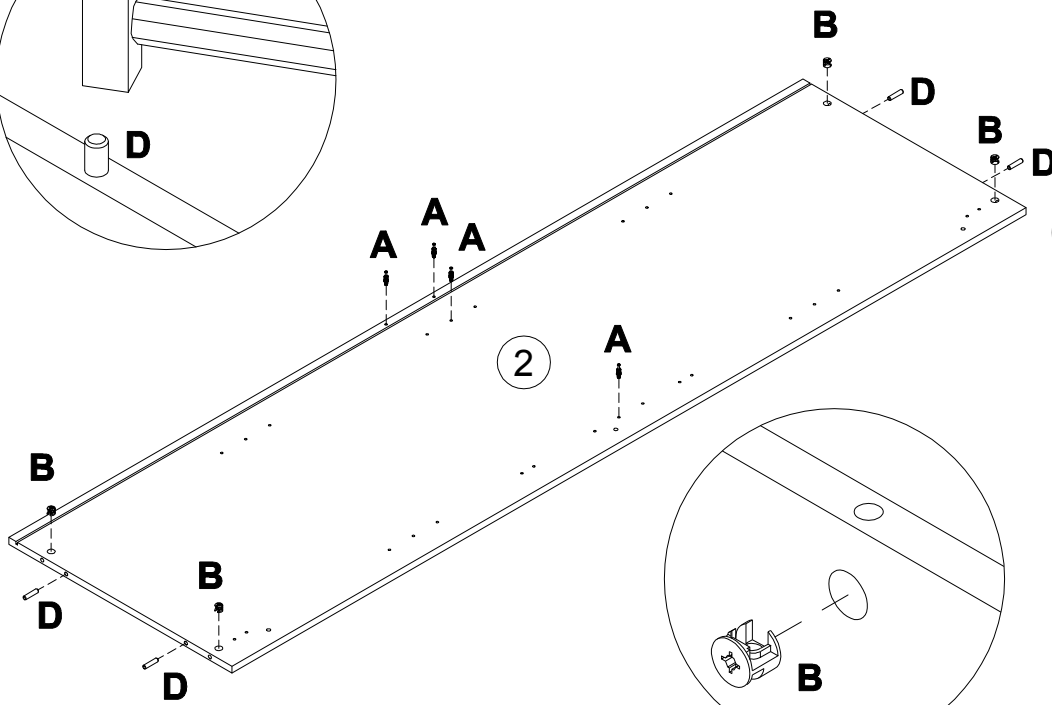
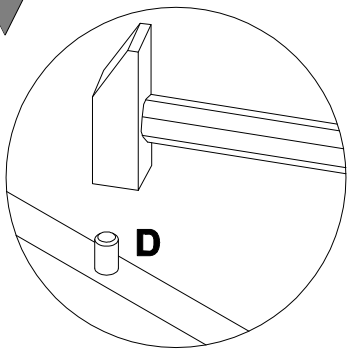


2

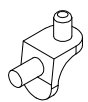
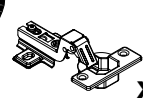
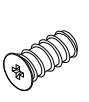


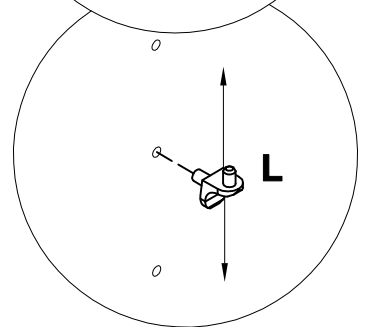
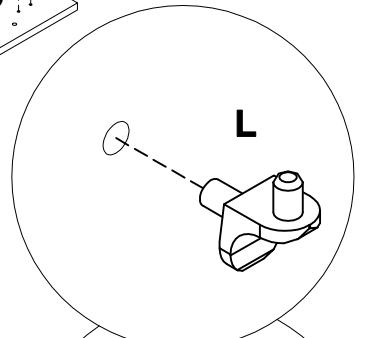
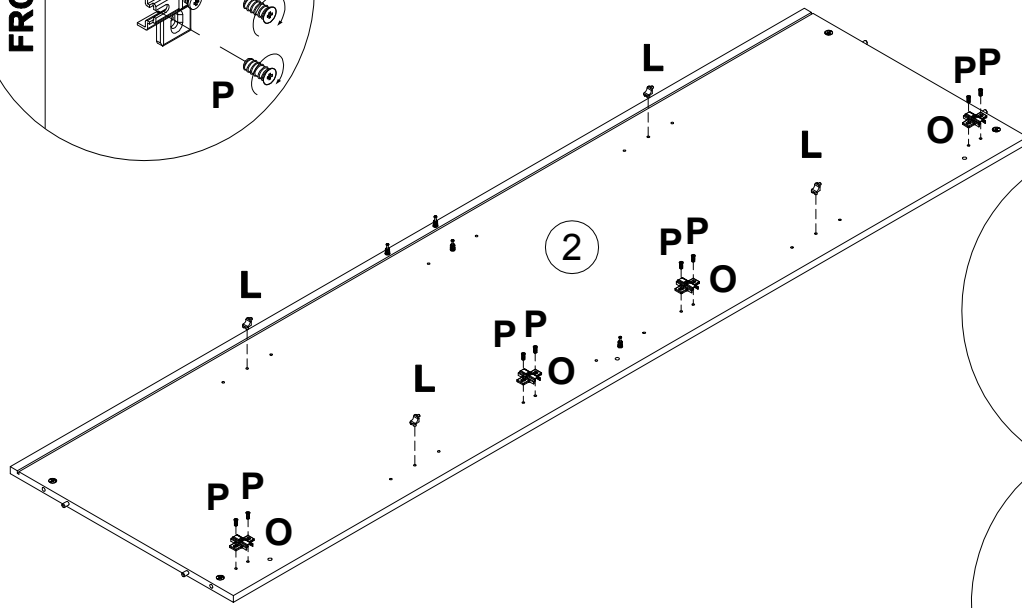
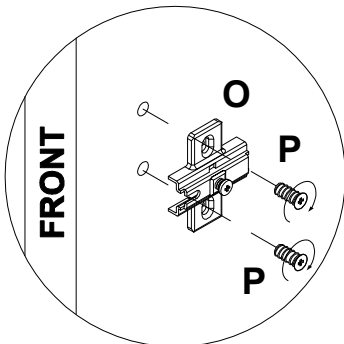
3

A 090913	 7x32 x4	B 000146	 15x12 x4	D 000151	 8x35 x4
--------------------	--	--------------------	--	--------------------	---

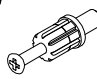




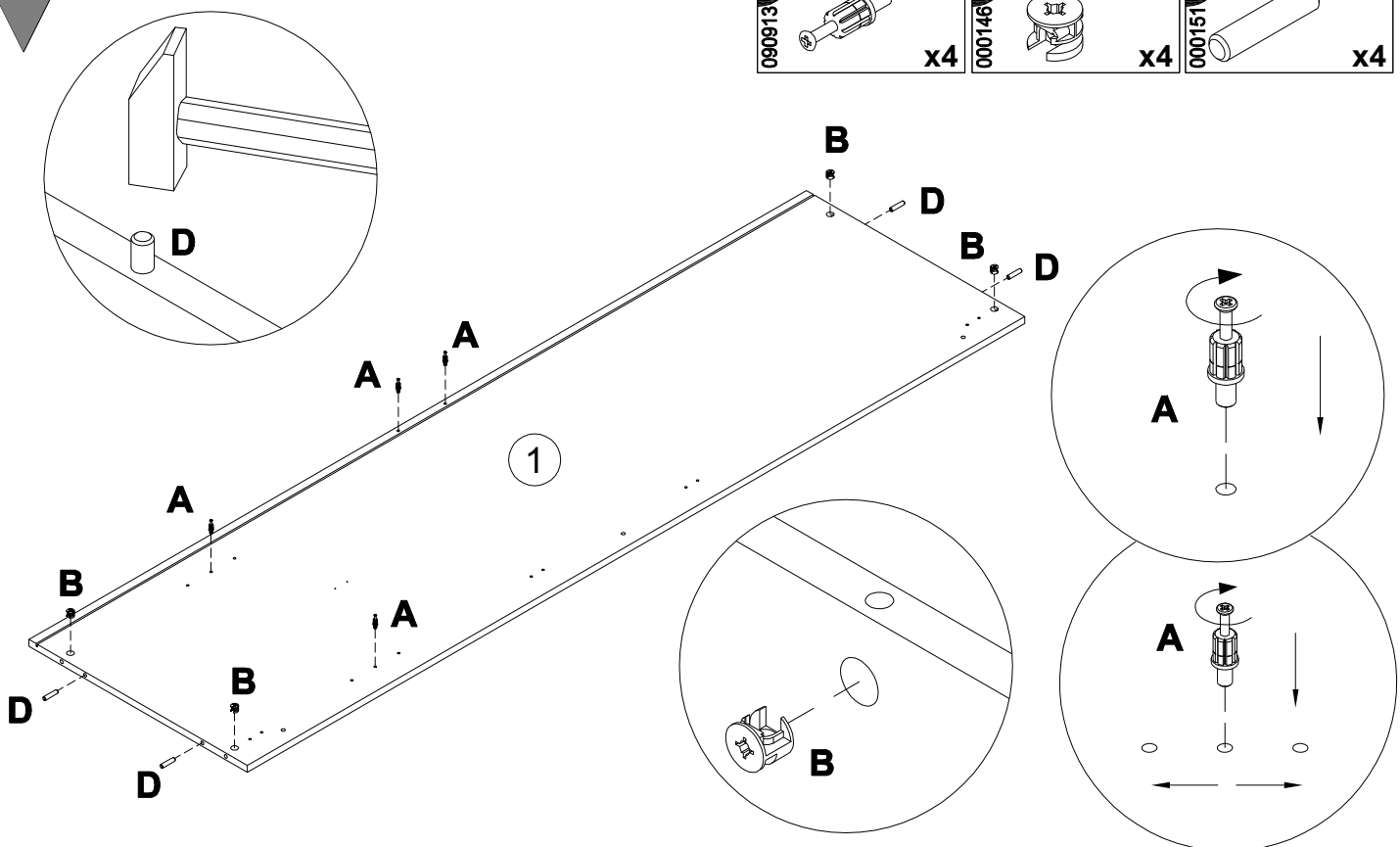
4

L 125913	 x4	O 168847	 x4	P 235594	 6,3x16 x8
--------------------	--	--------------------	---	--------------------	---


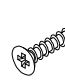
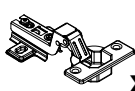
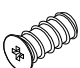


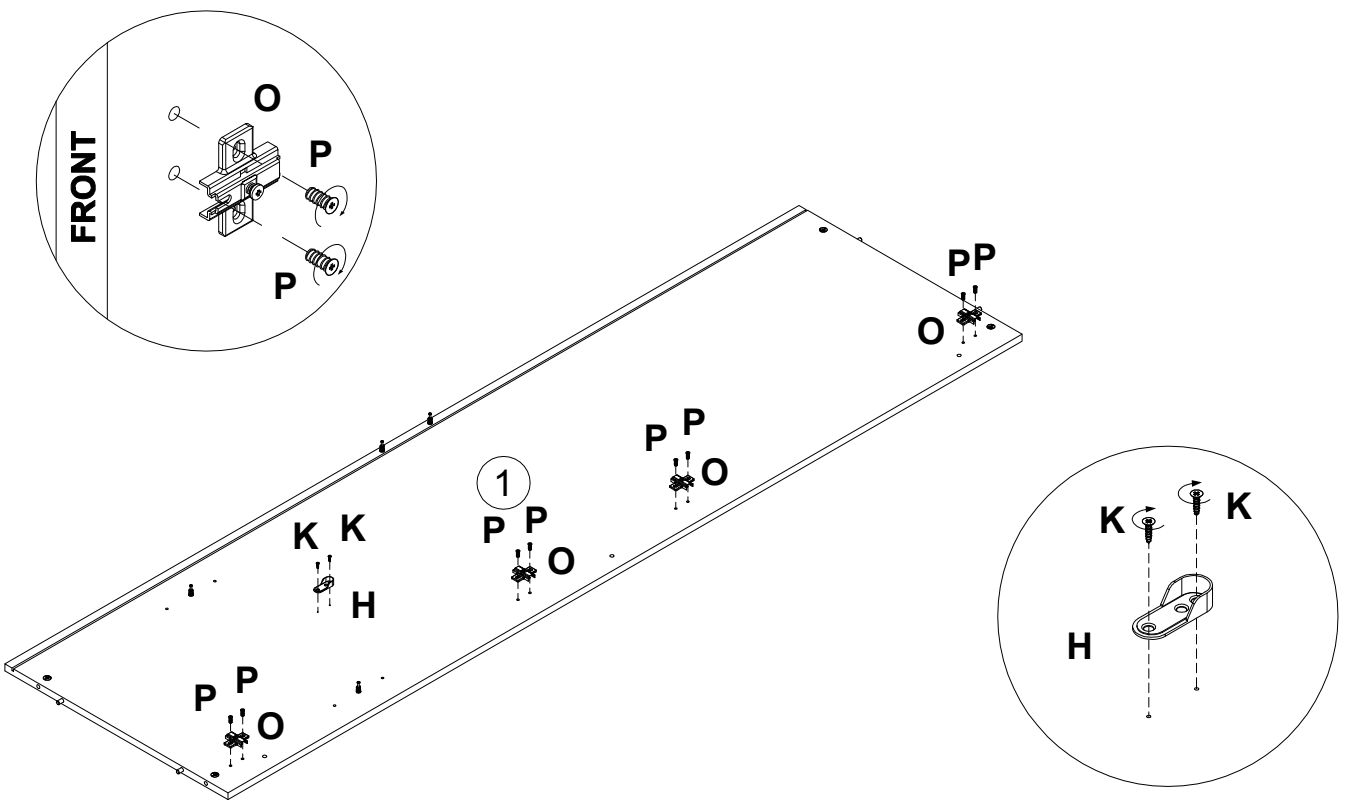
5

A		7x32	B		15x12	D		8x35
		x4			x4			x4



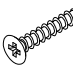


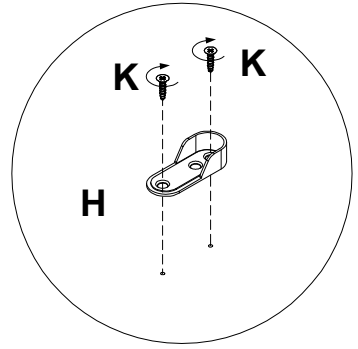
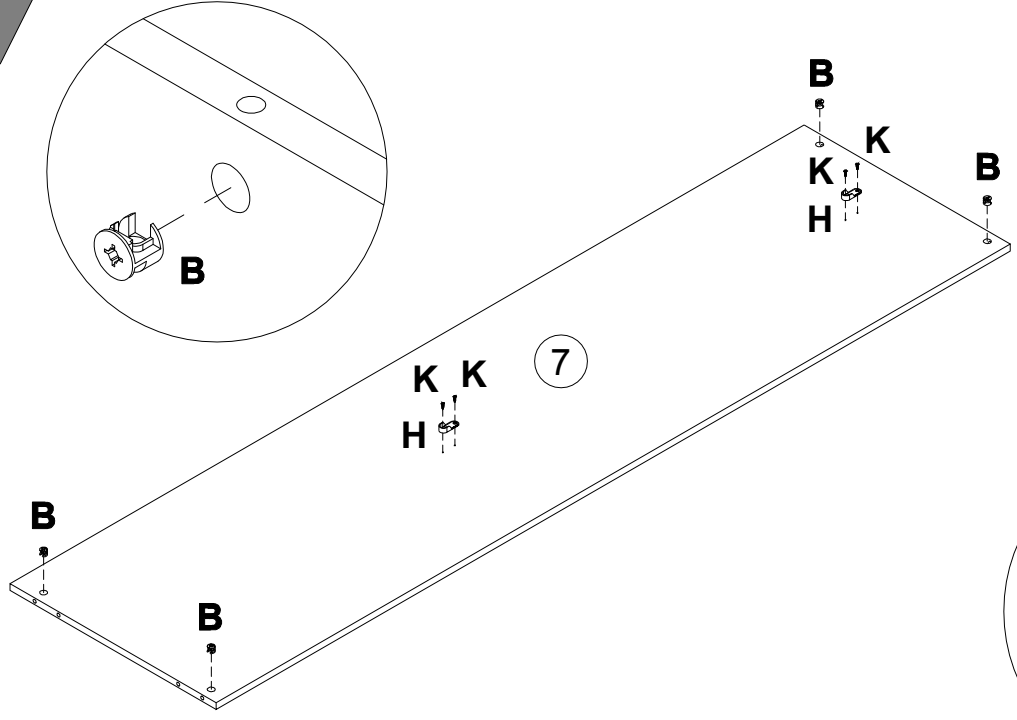
6

H		x1	K		3.5x13	O		x4	P		6,3x16	x8
----------	---	-----------	----------	---	--------	----------	---	-----------	----------	---	--------	-----------

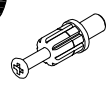
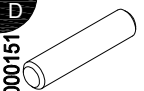
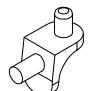


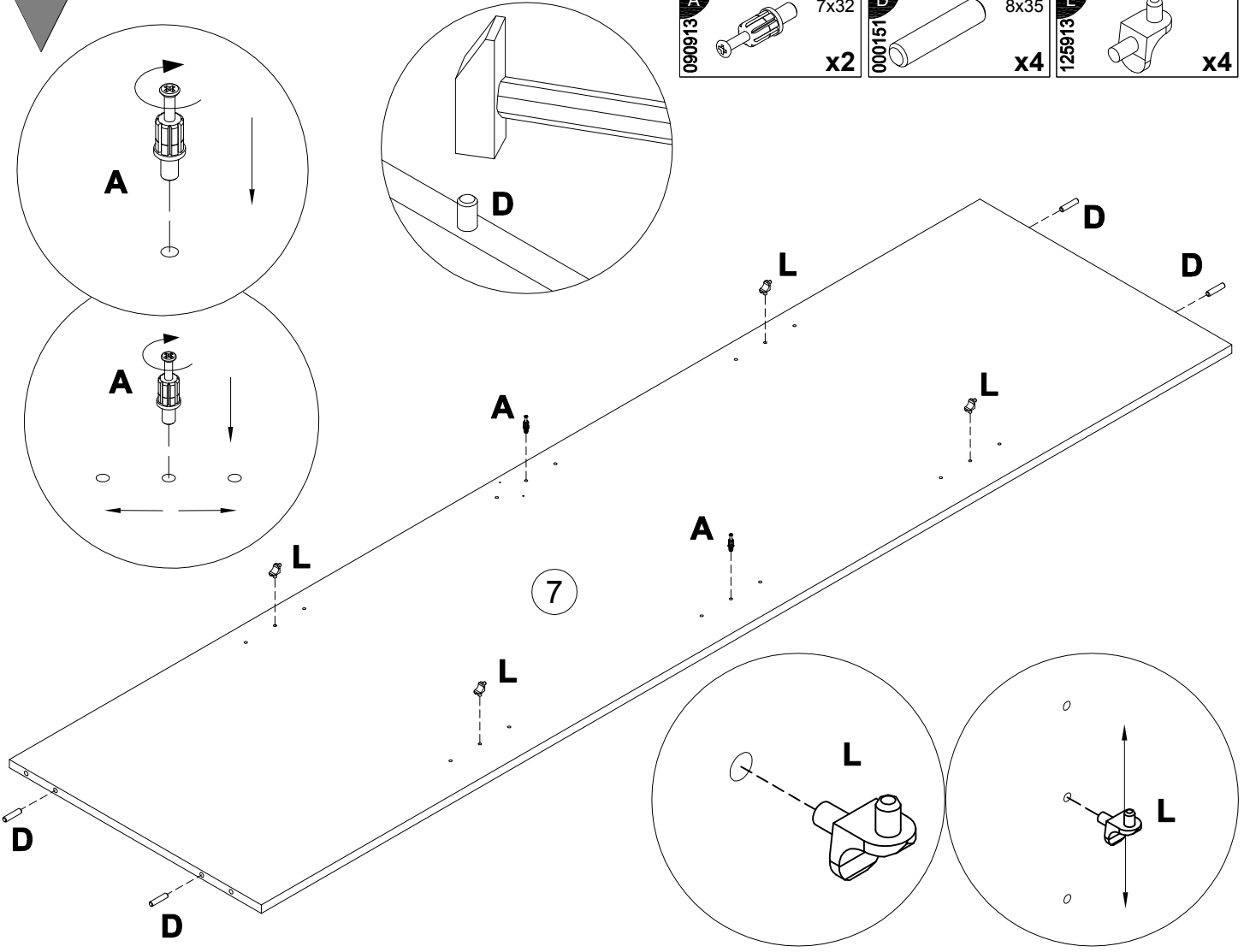
7

B		15x12
000146		x4
H		
170390		x2
K		3.5x13
000762		x4

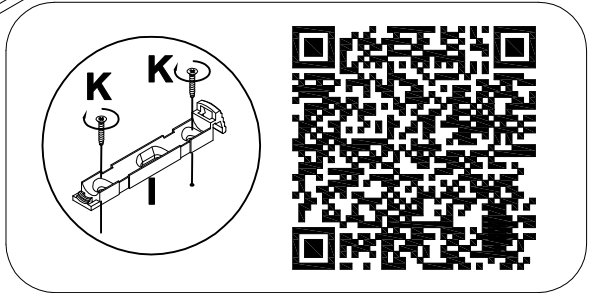
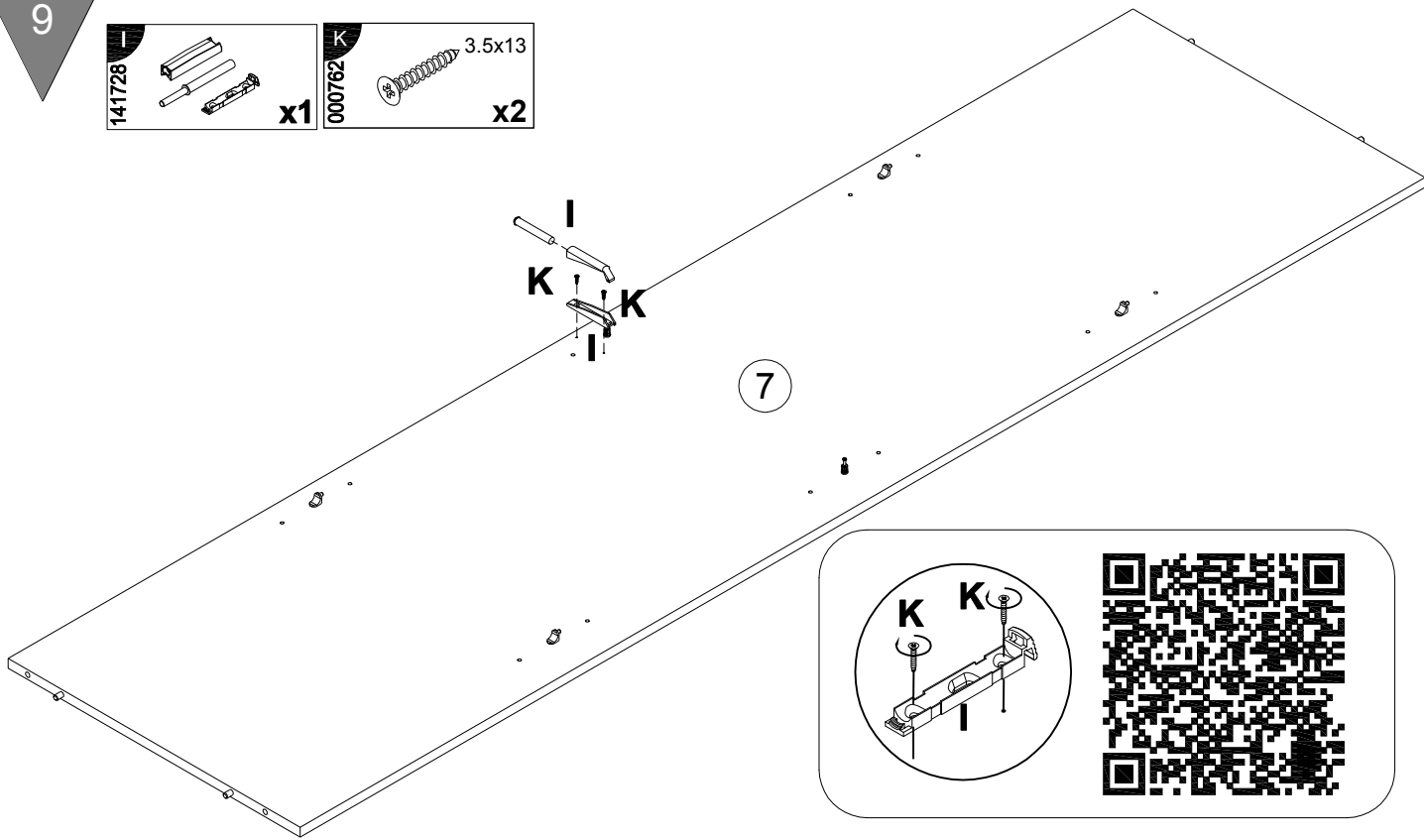
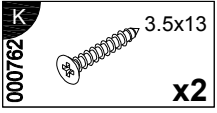
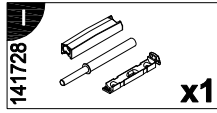


8

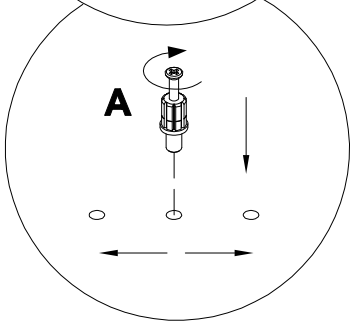
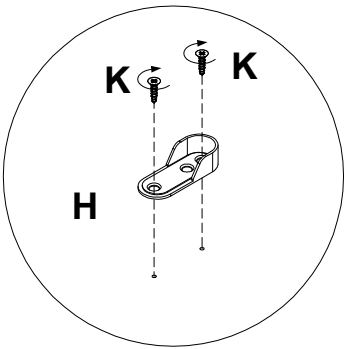
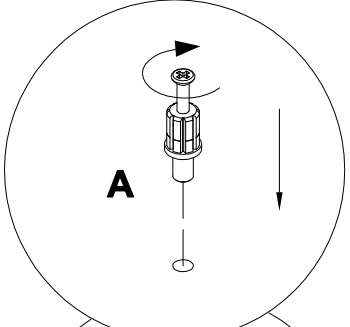
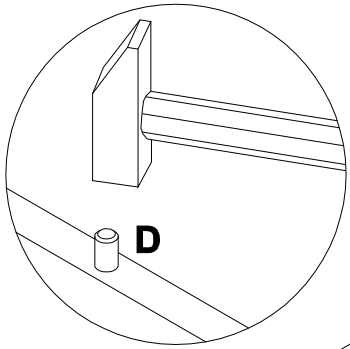
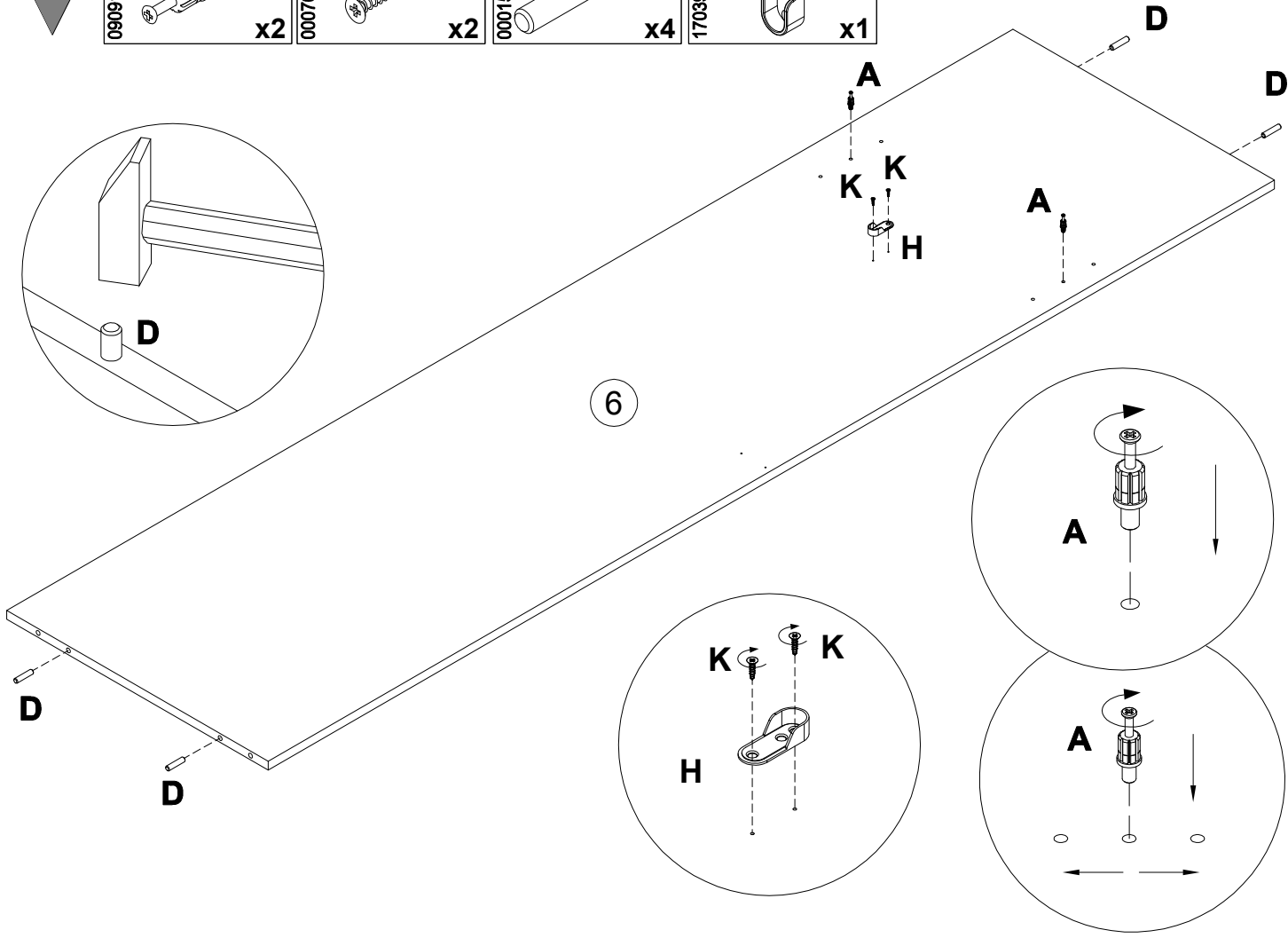
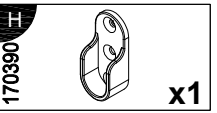
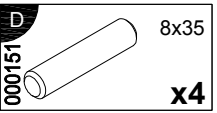
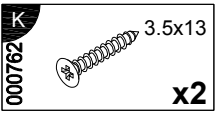
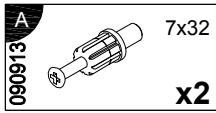
A		7x32
090913		x2
D		8x35
000151		x4
L		
125913		x4



9

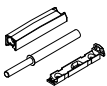


10



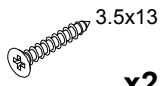
11

141728



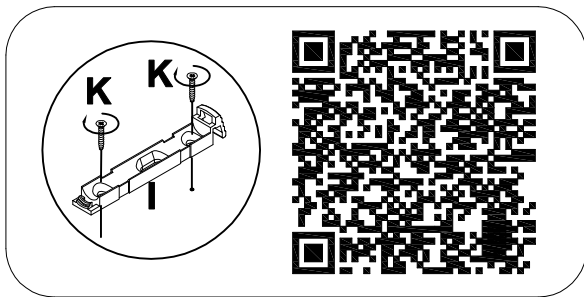
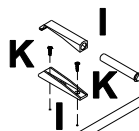
x1

000762



x2

6



12

000146



15x12

x4

170390

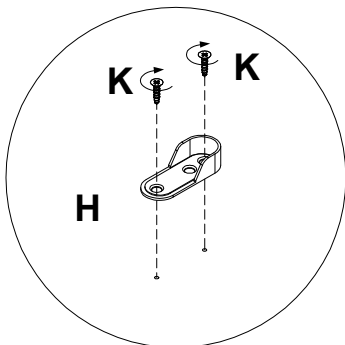


x2

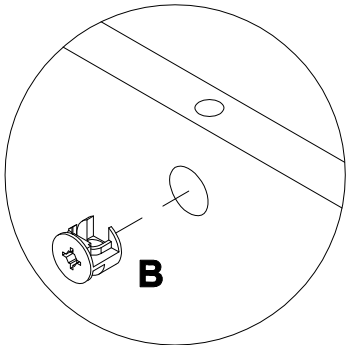
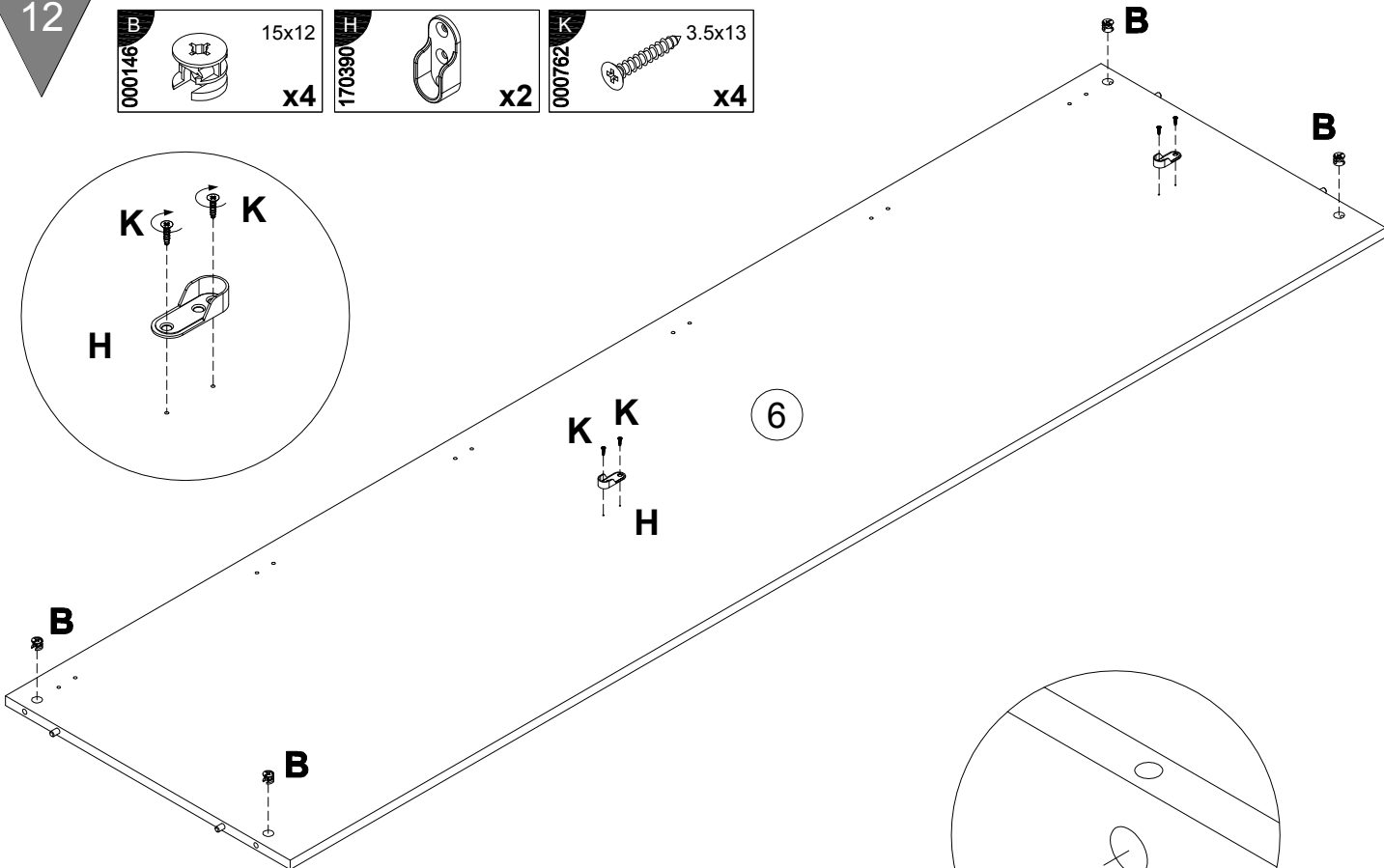
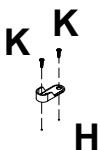
000762



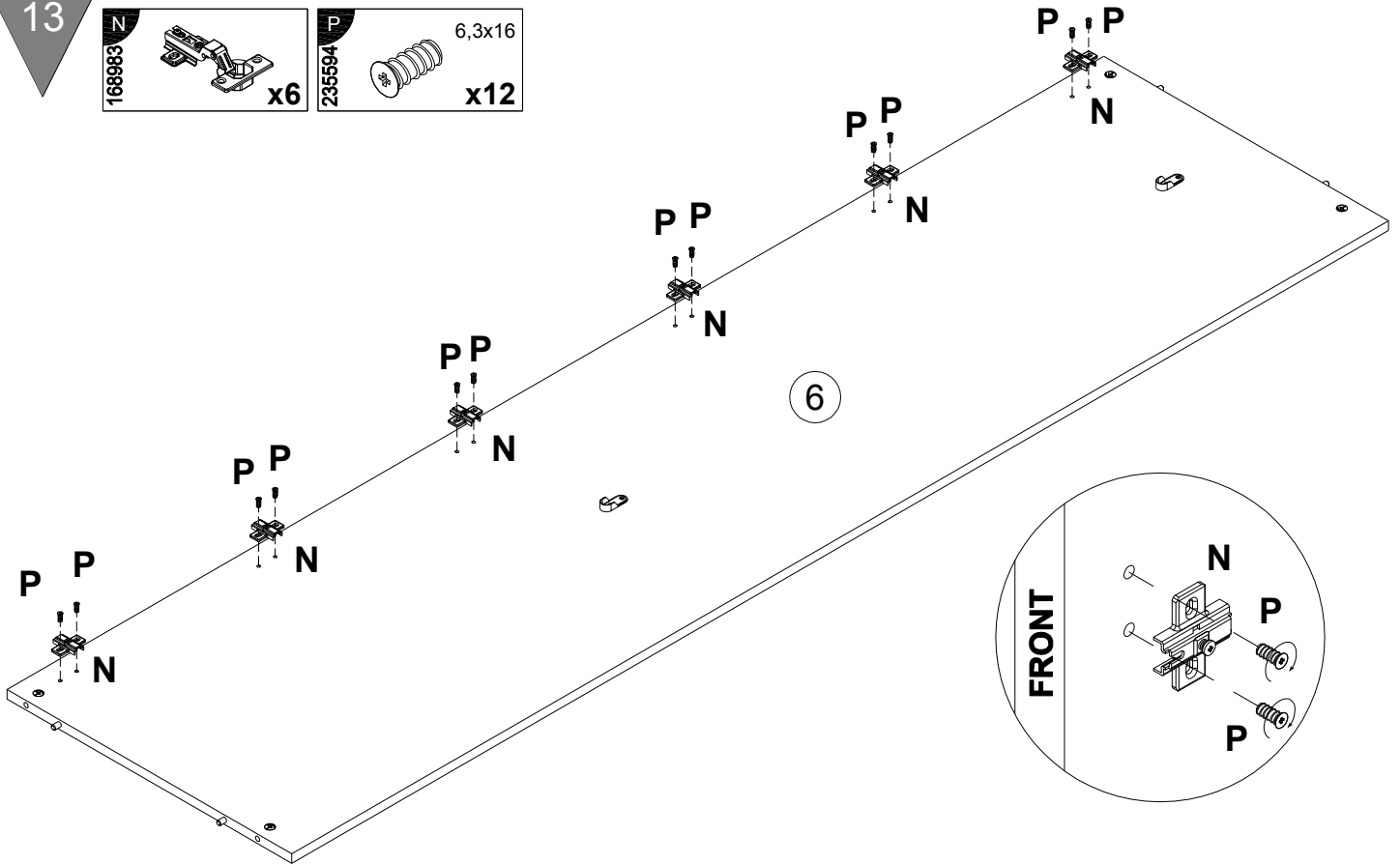
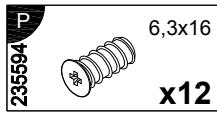
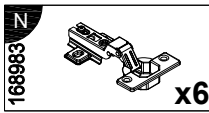
x4



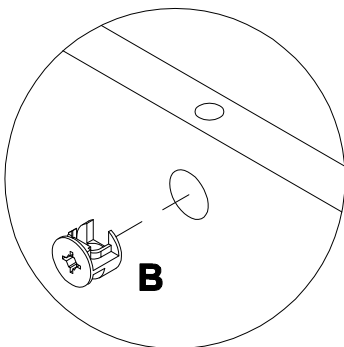
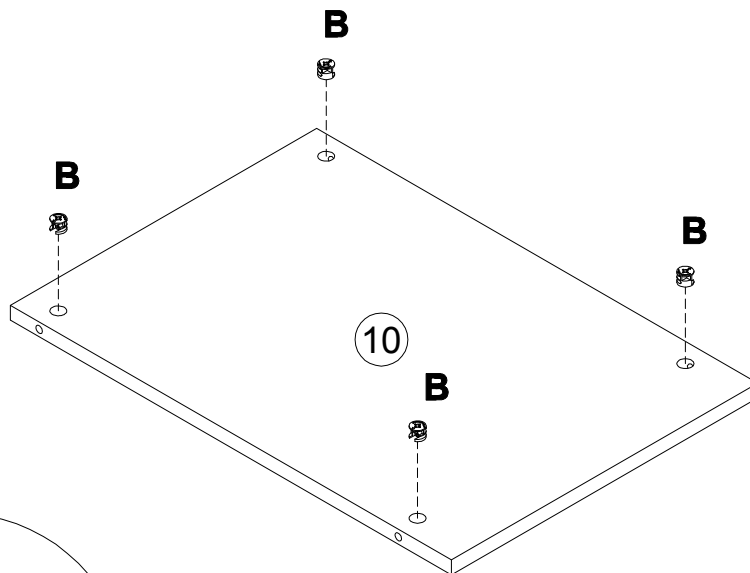
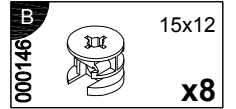
6




13

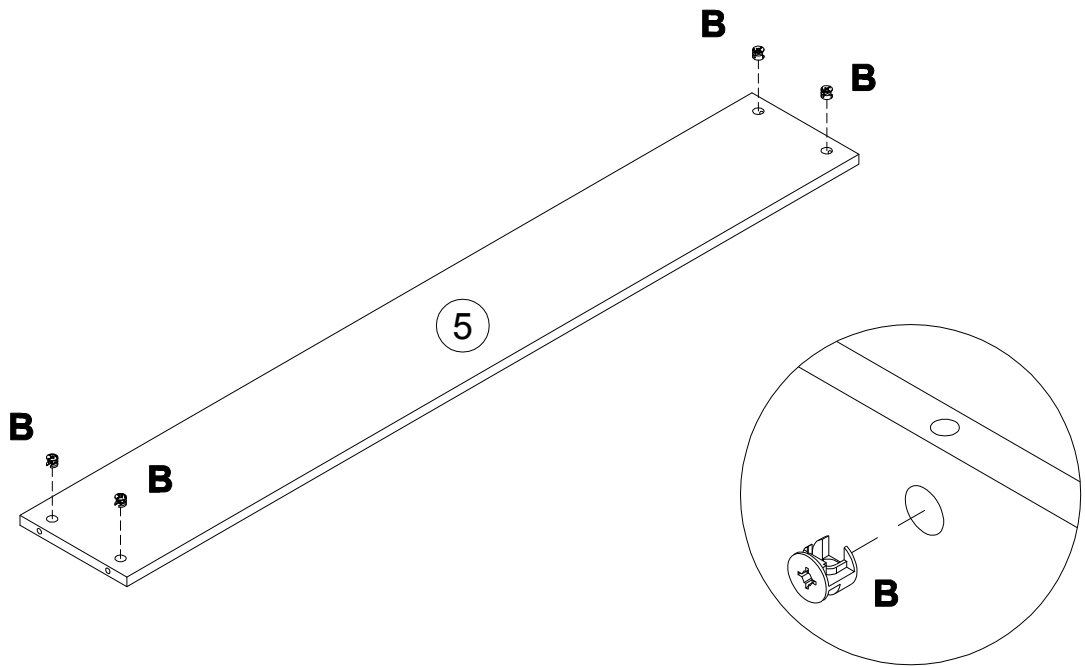


14 x2

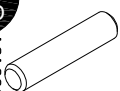


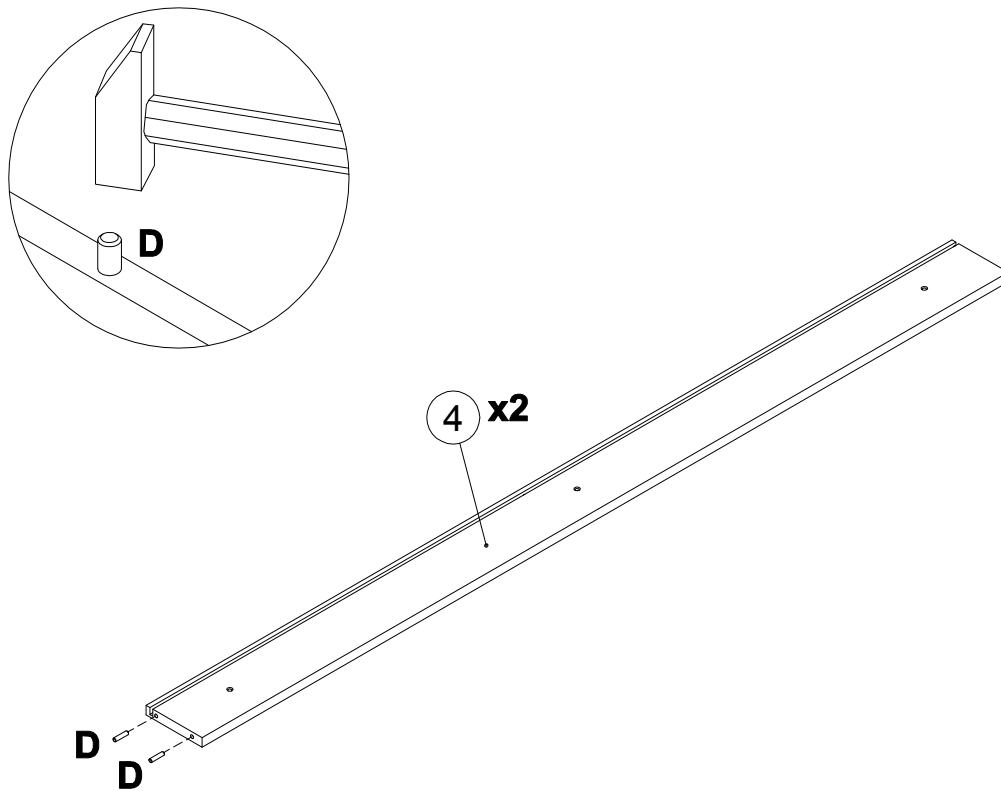
15

000146 **B** 15x12
 **x4**

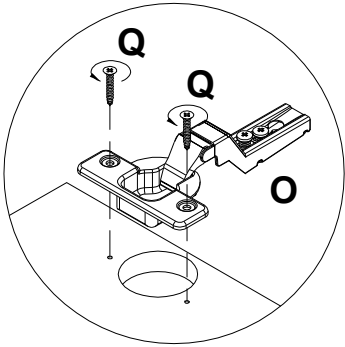
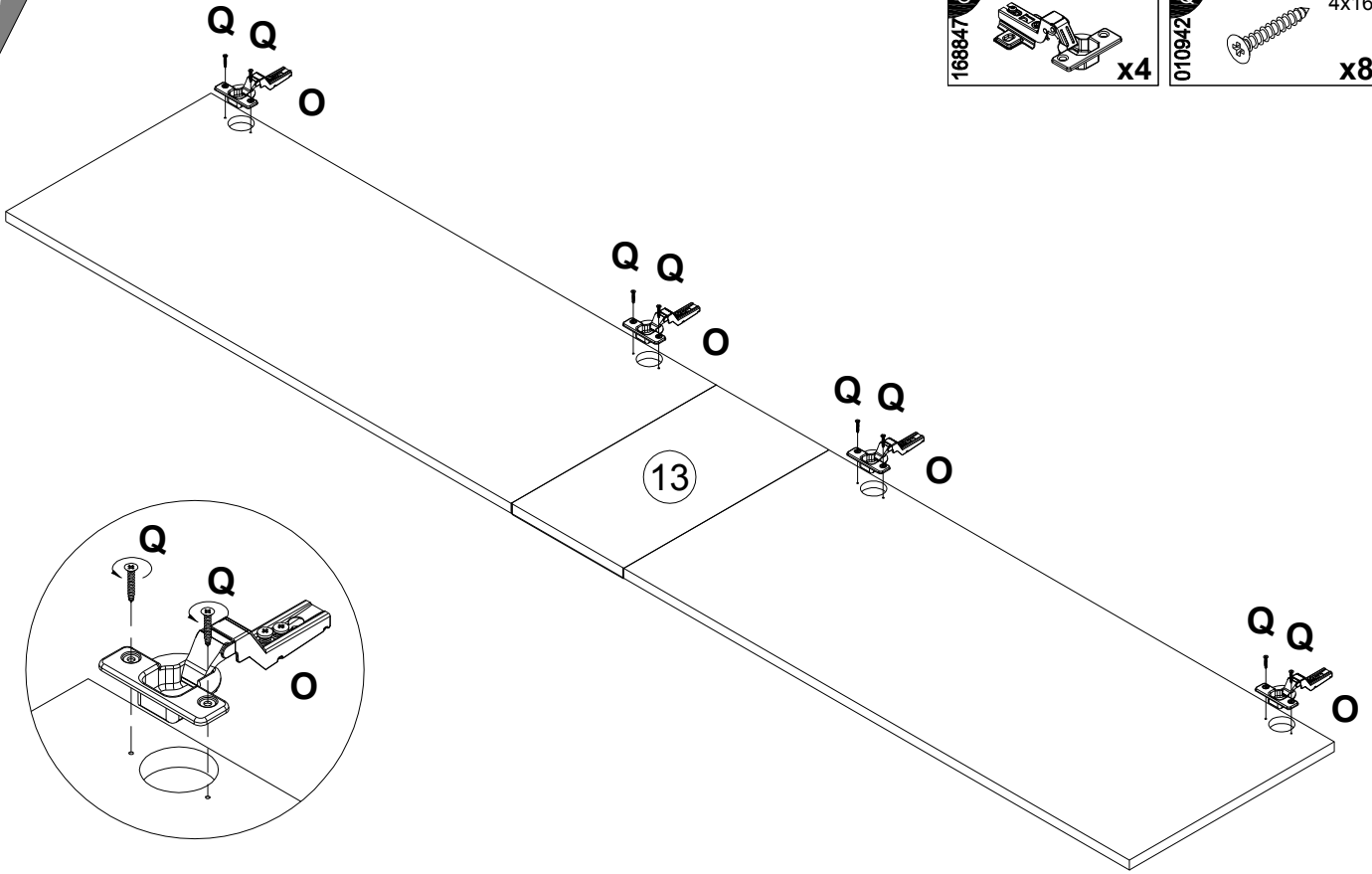
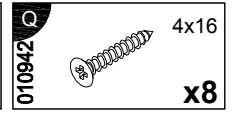
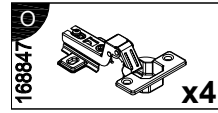


16

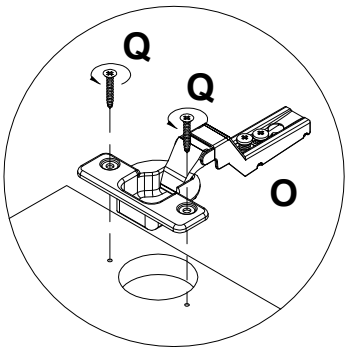
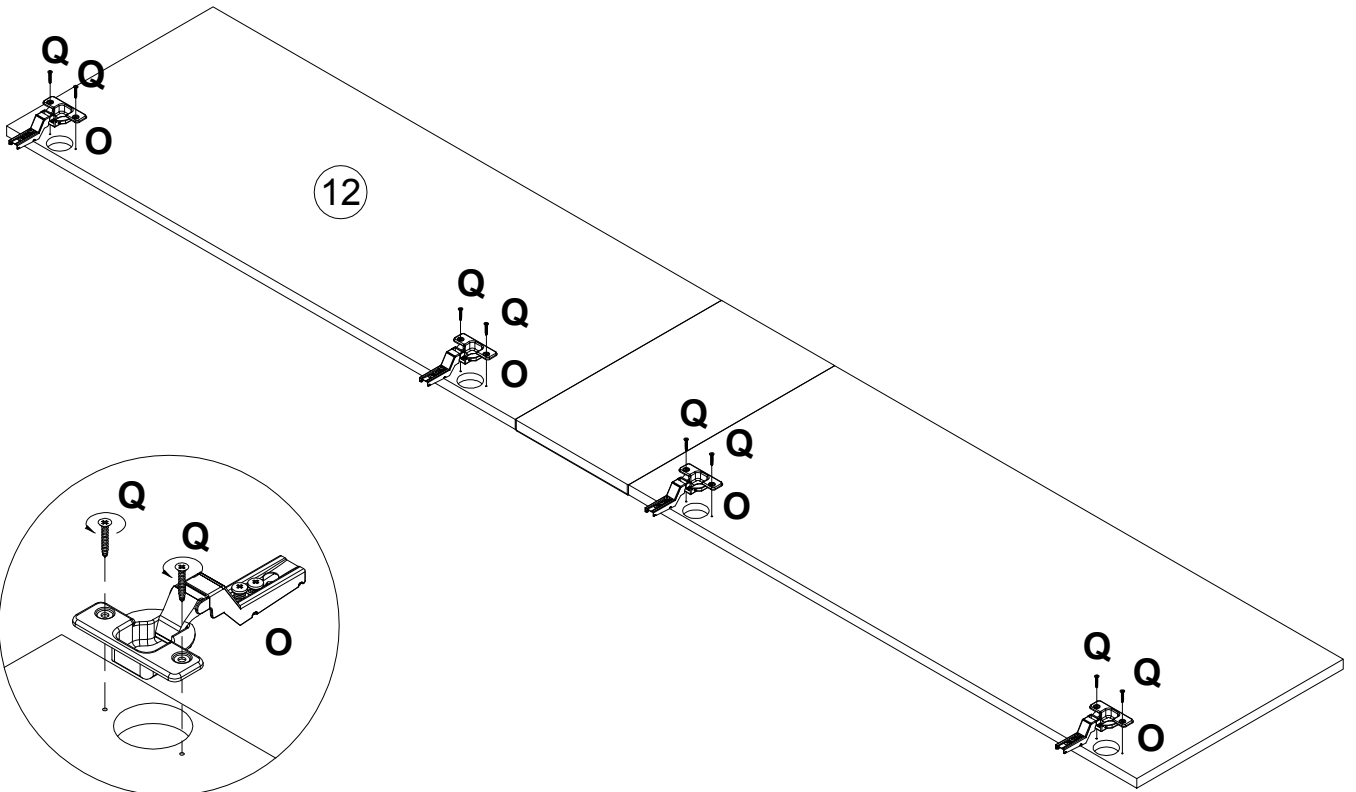
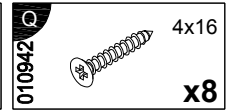
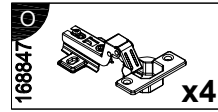
000151 **D** 8x35
 **x4**



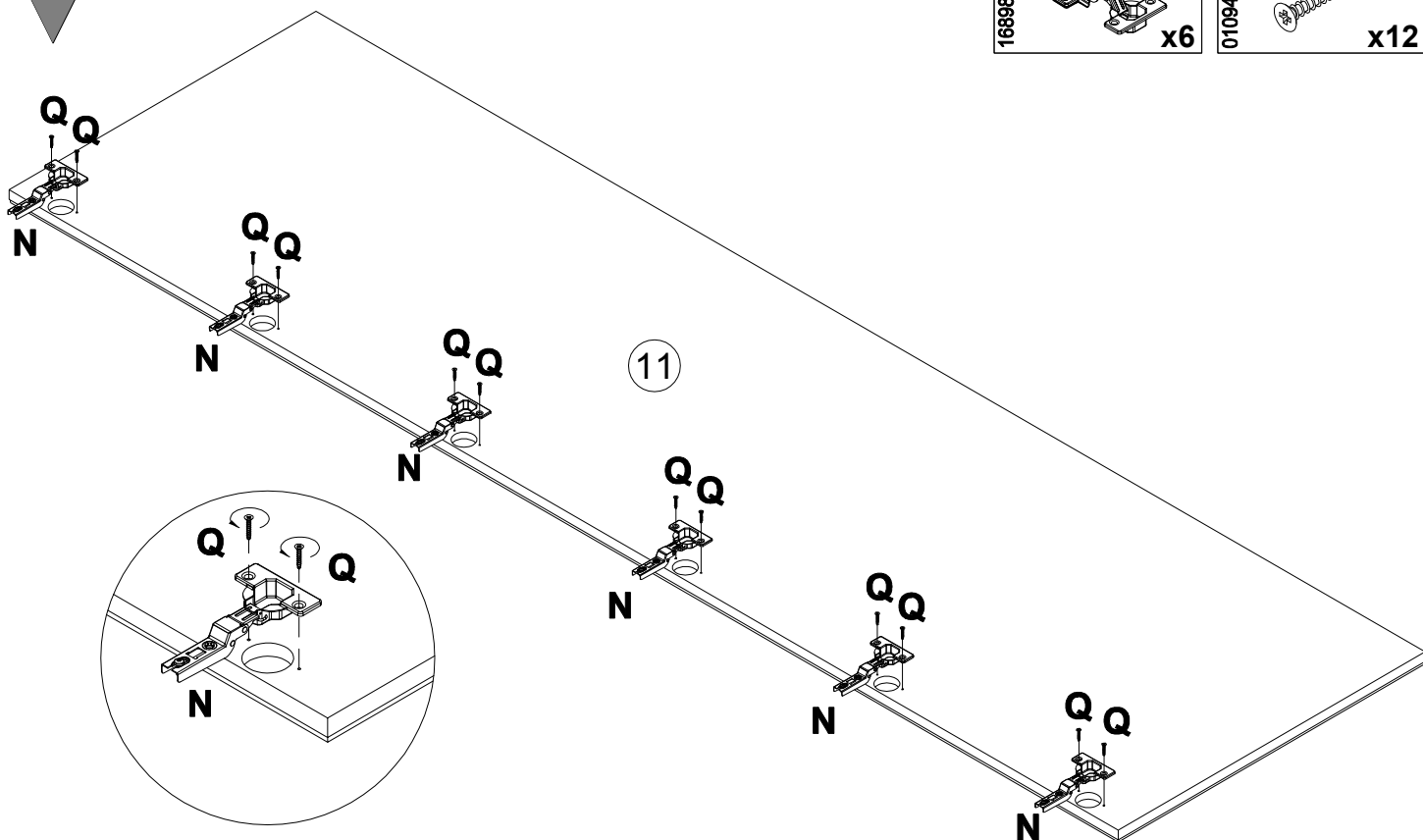
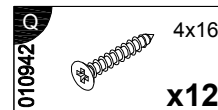
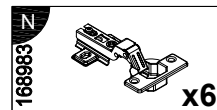
17



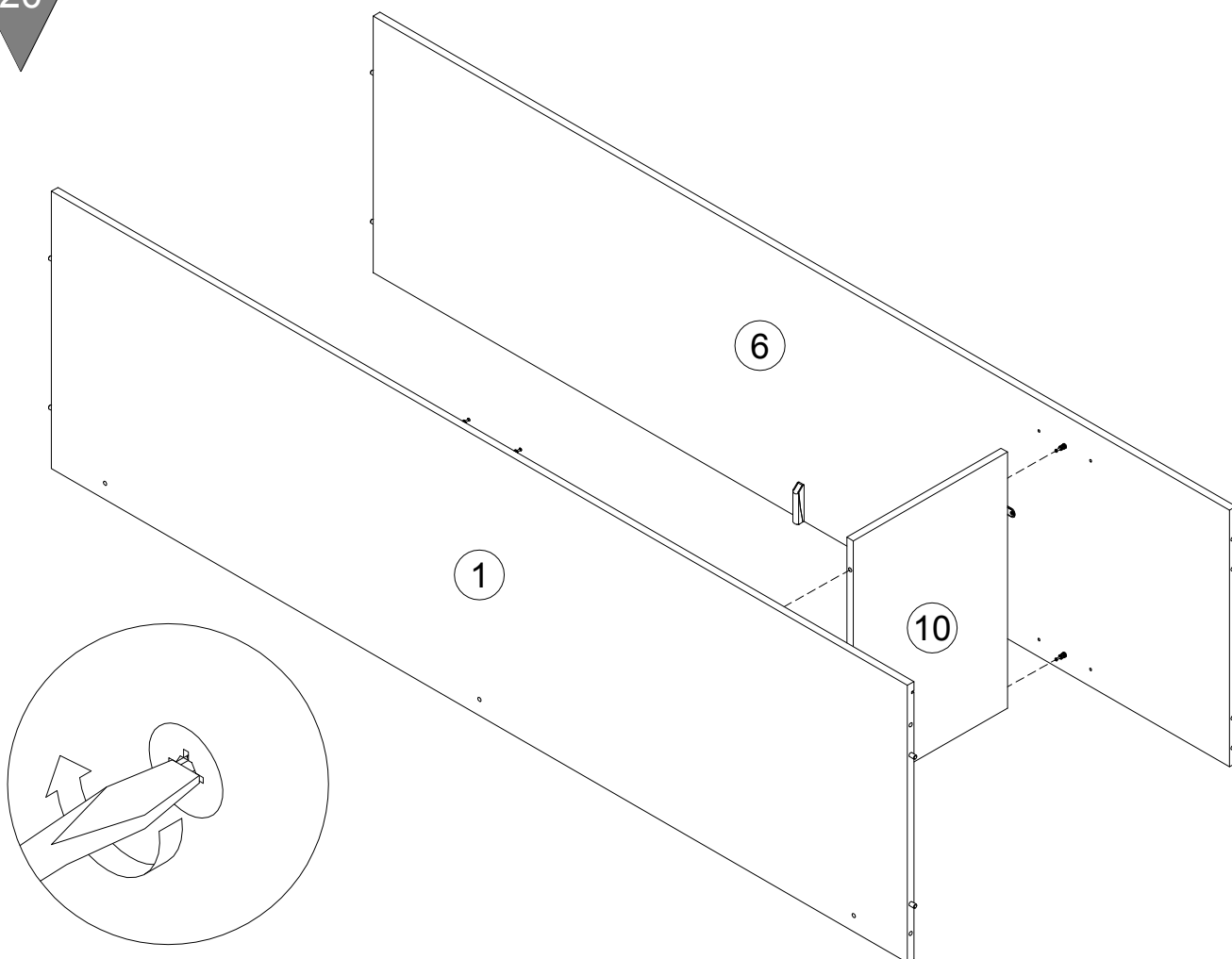
18

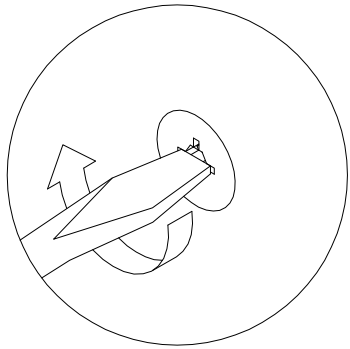
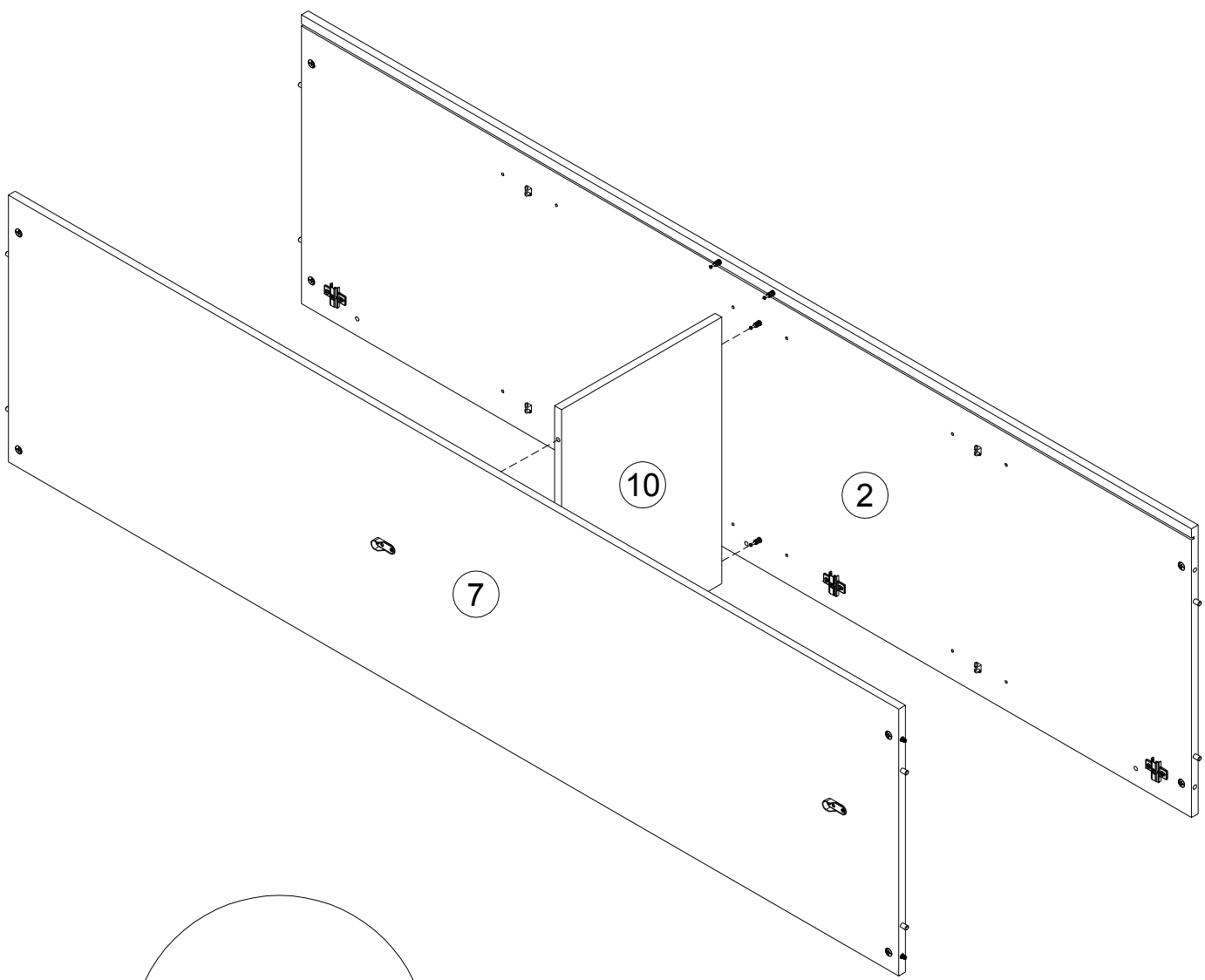


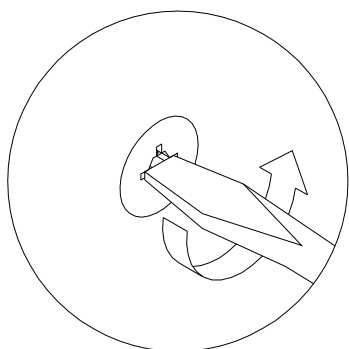
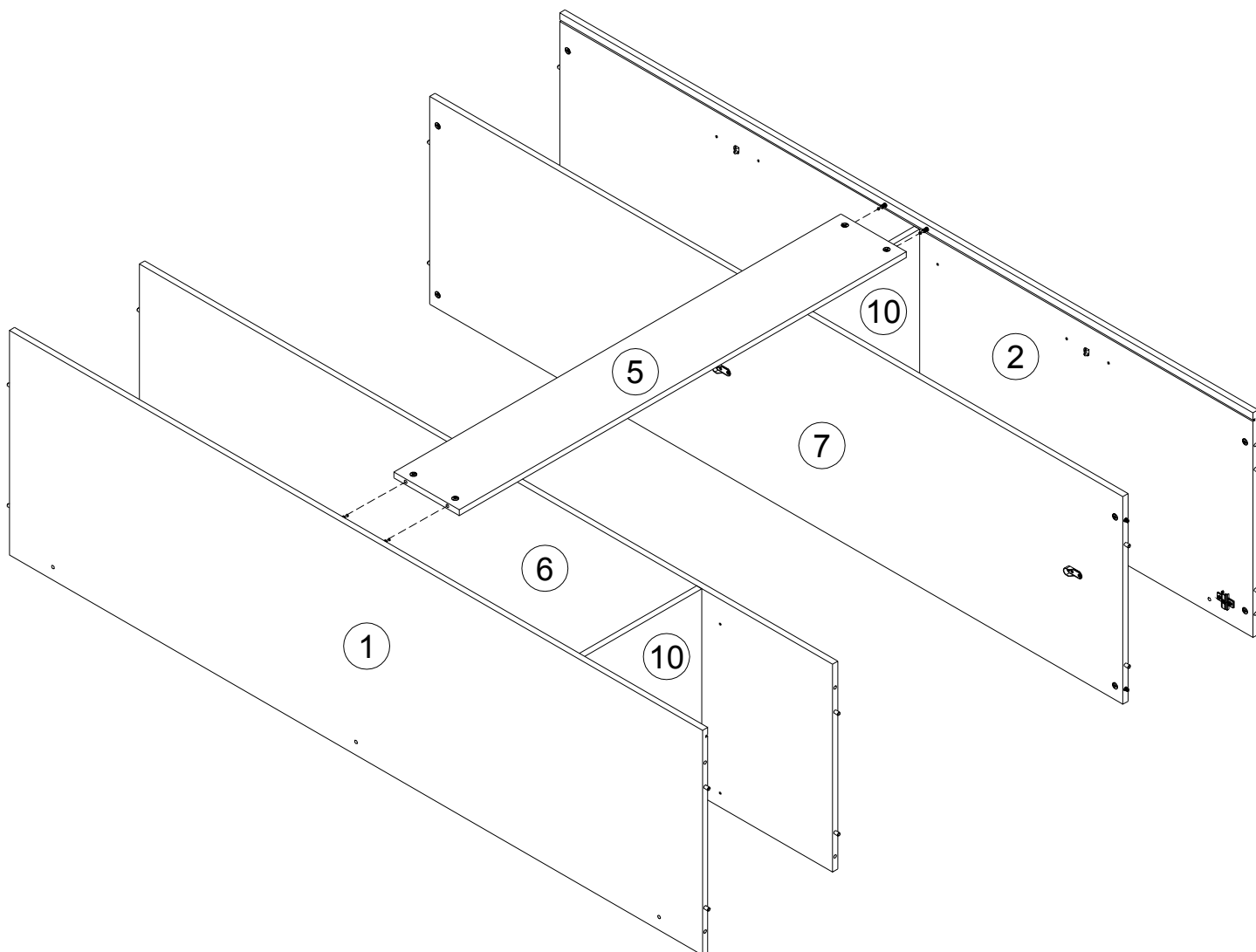
19

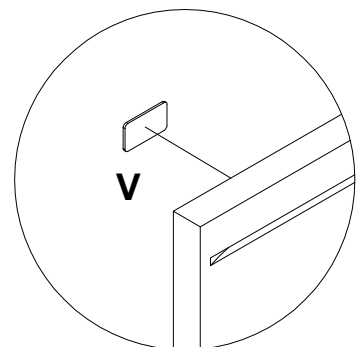
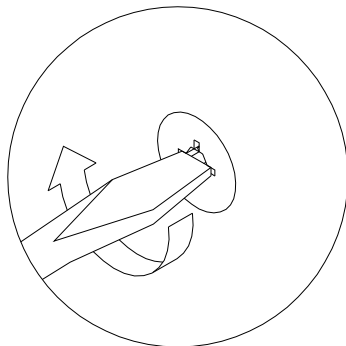
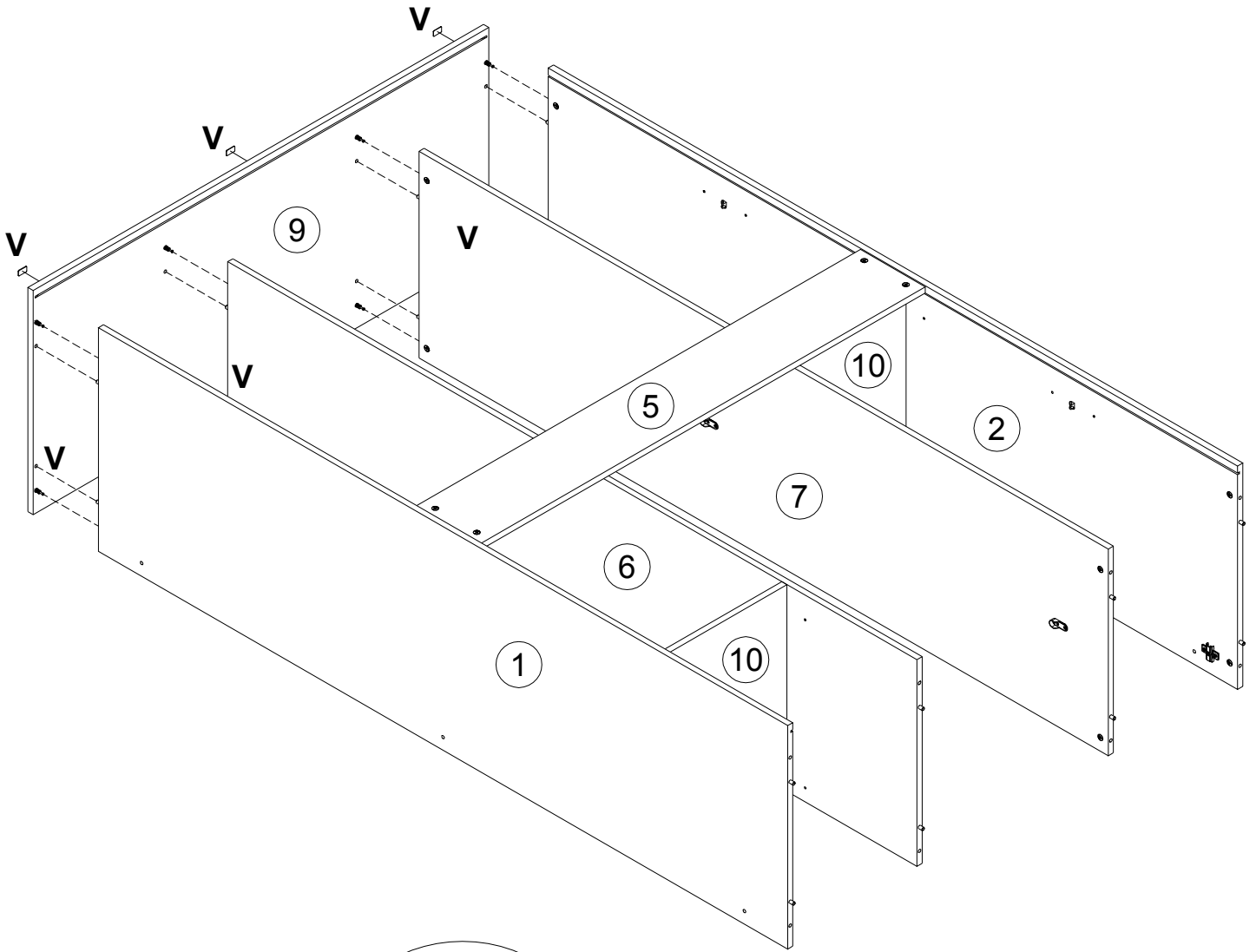


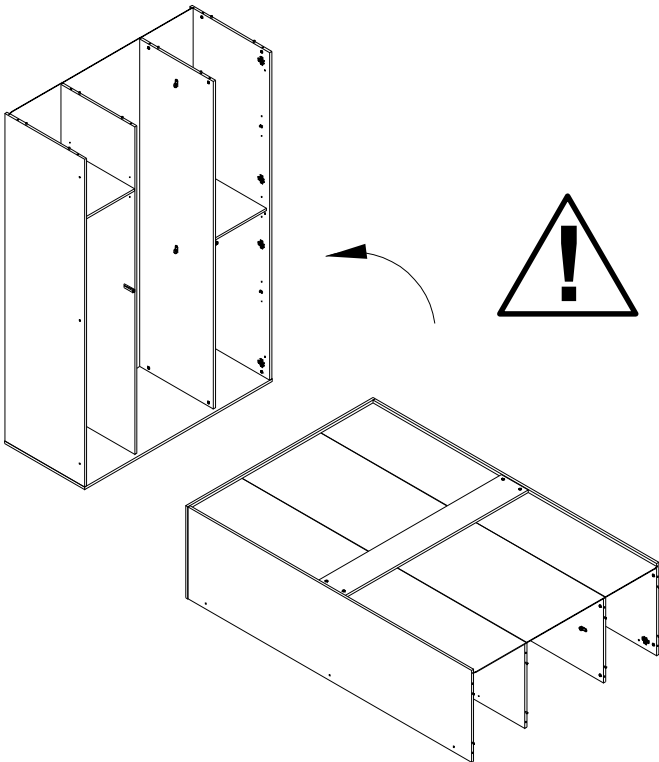
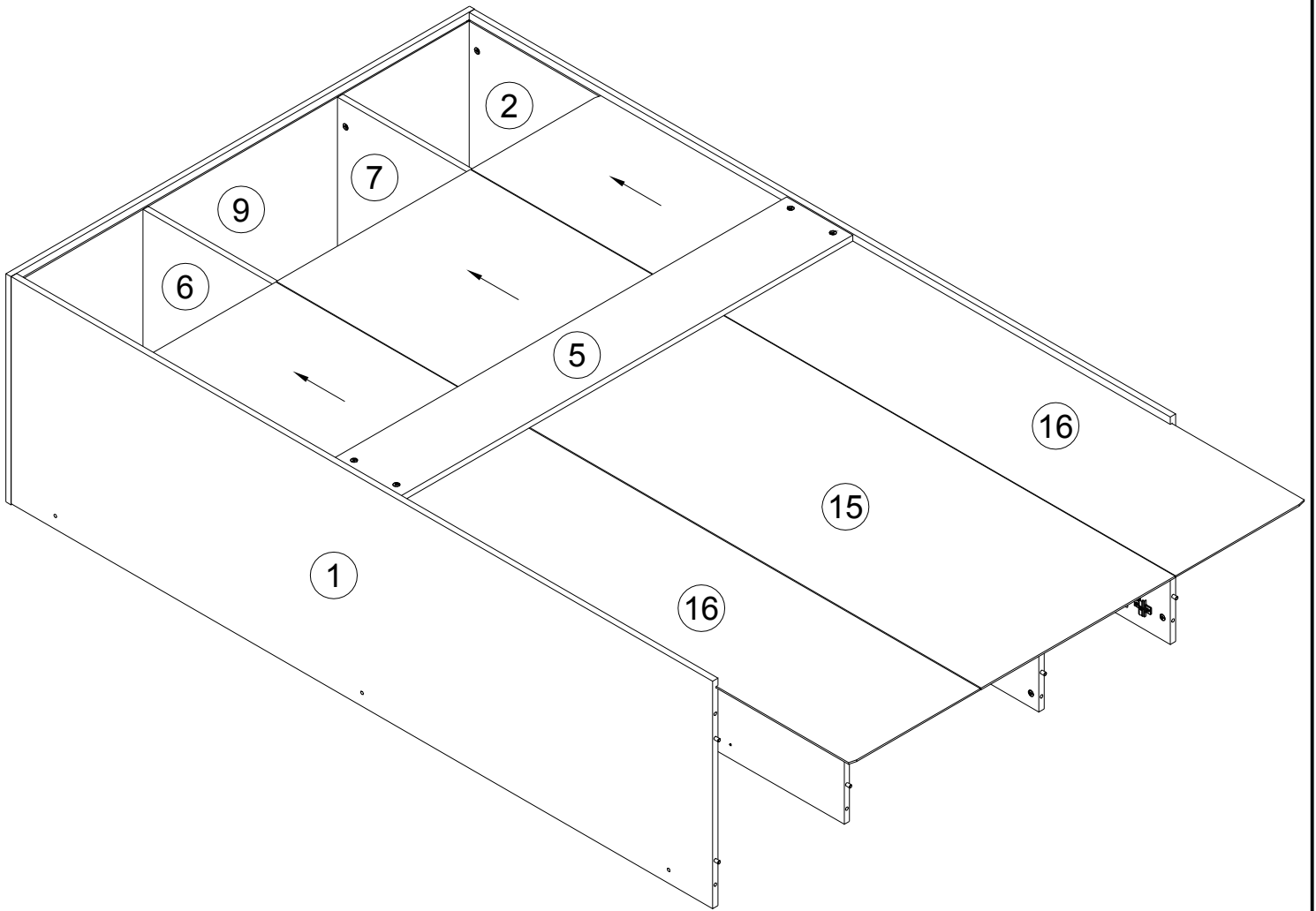
20

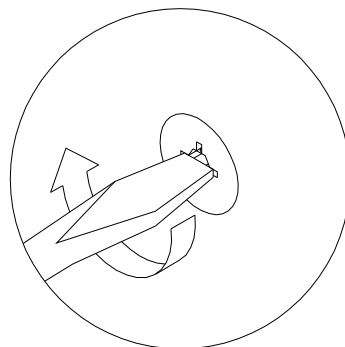
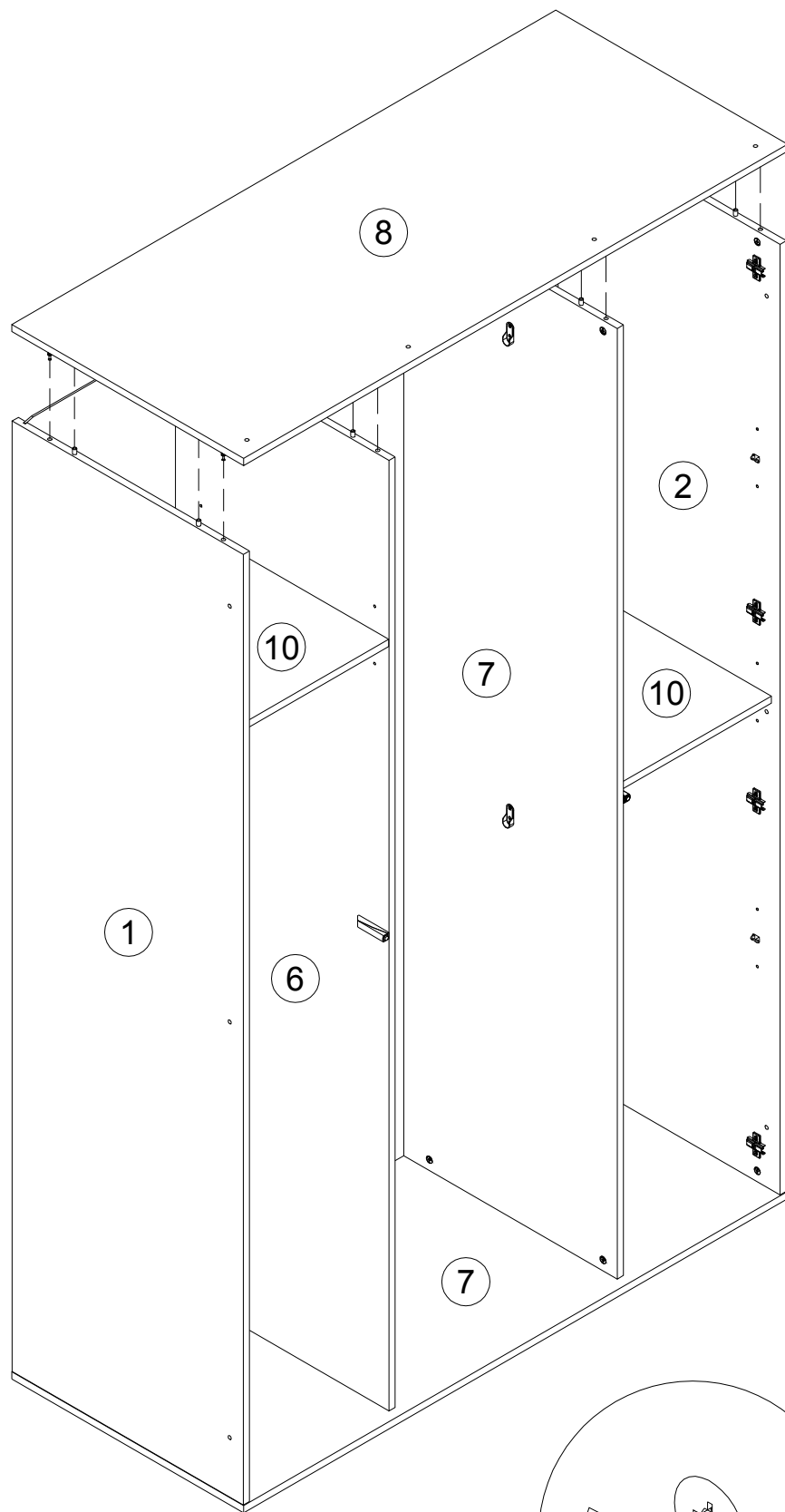


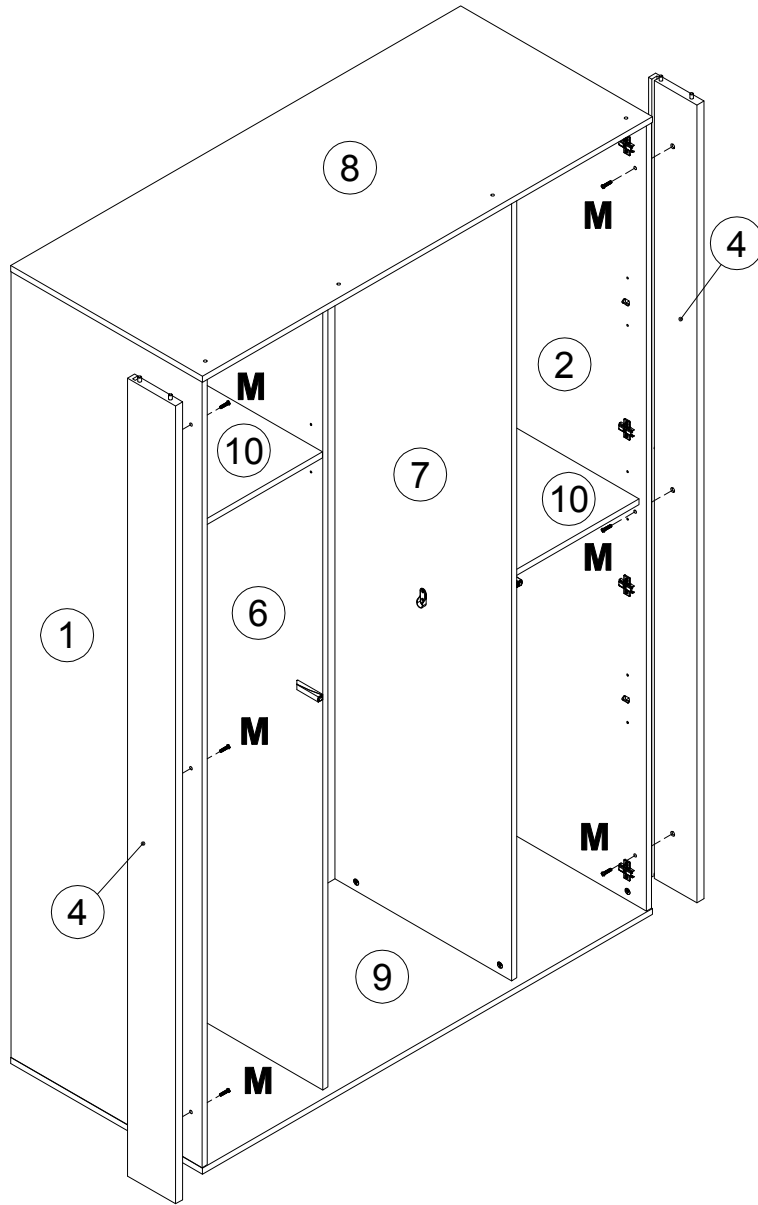
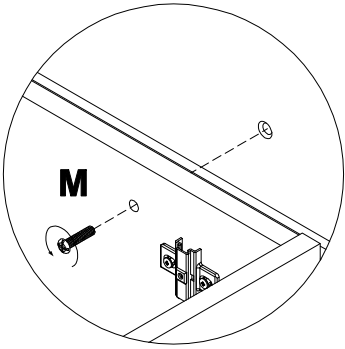


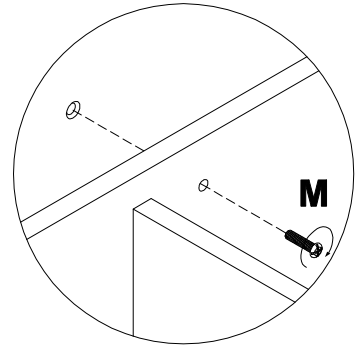
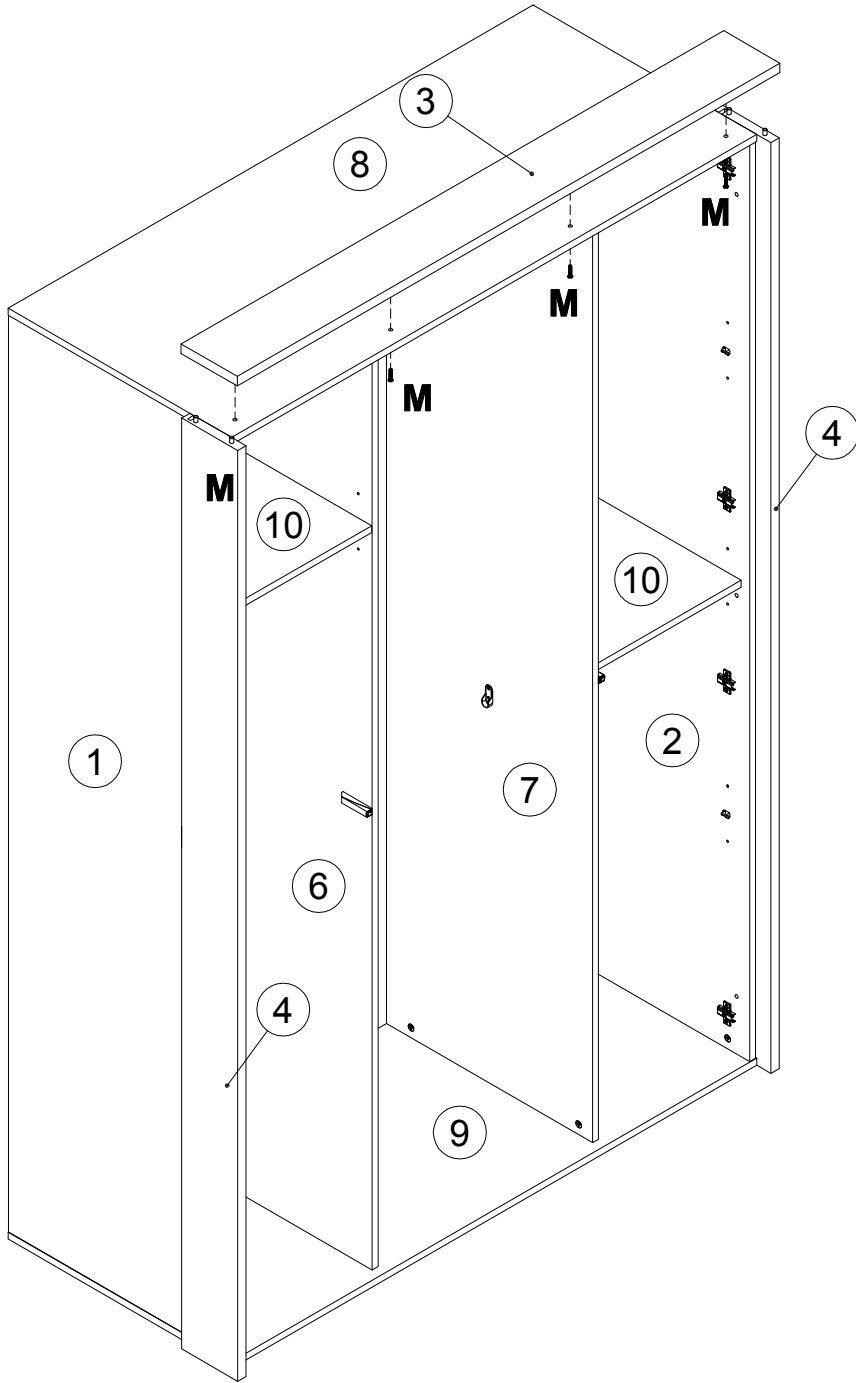


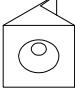
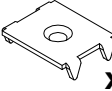
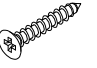


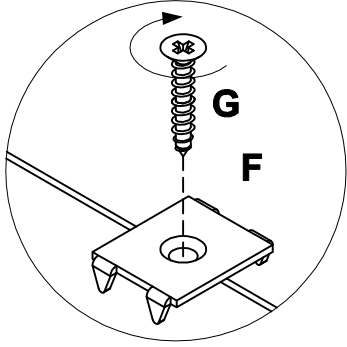




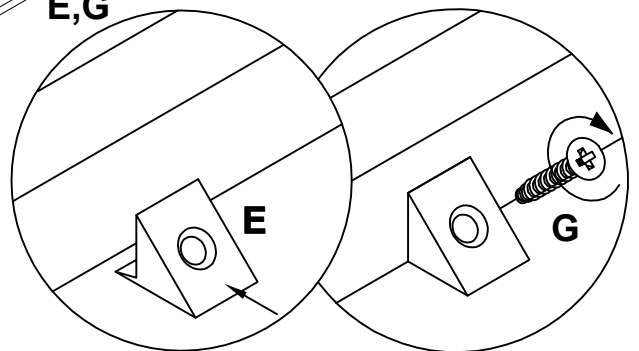
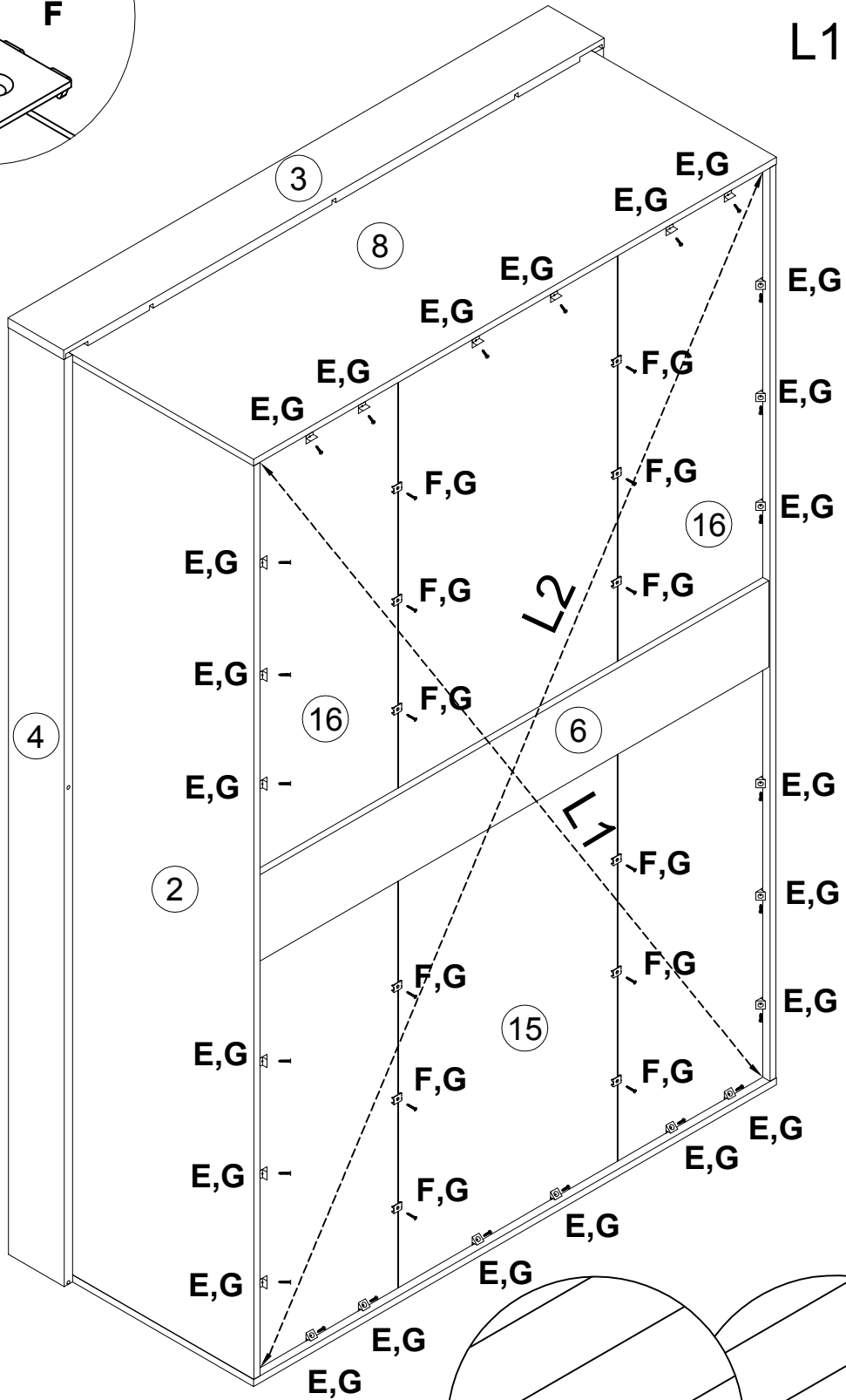


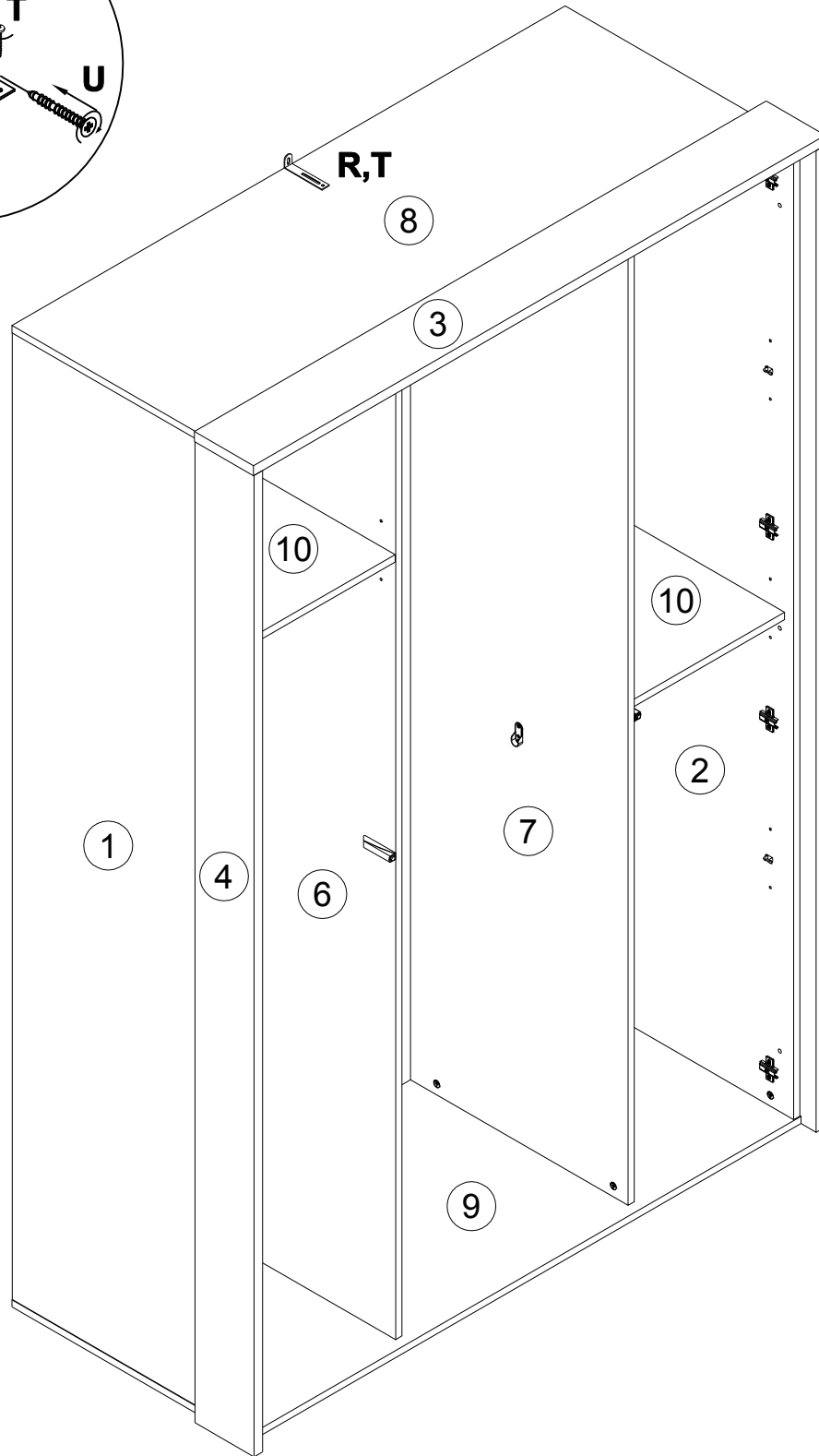
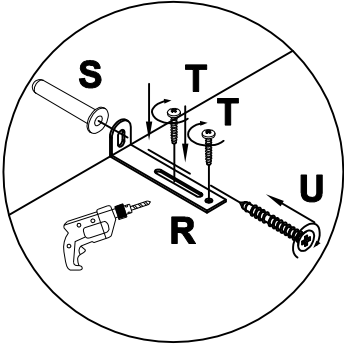
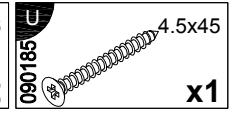
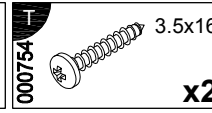
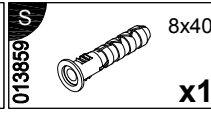
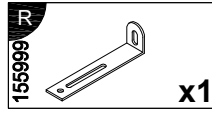


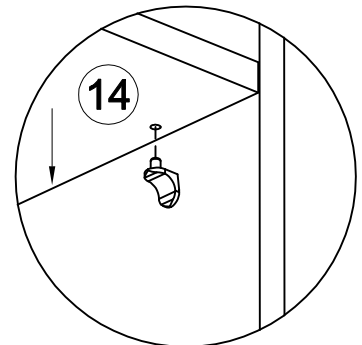
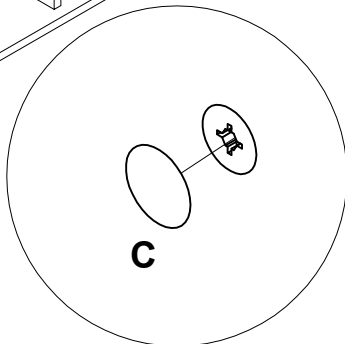
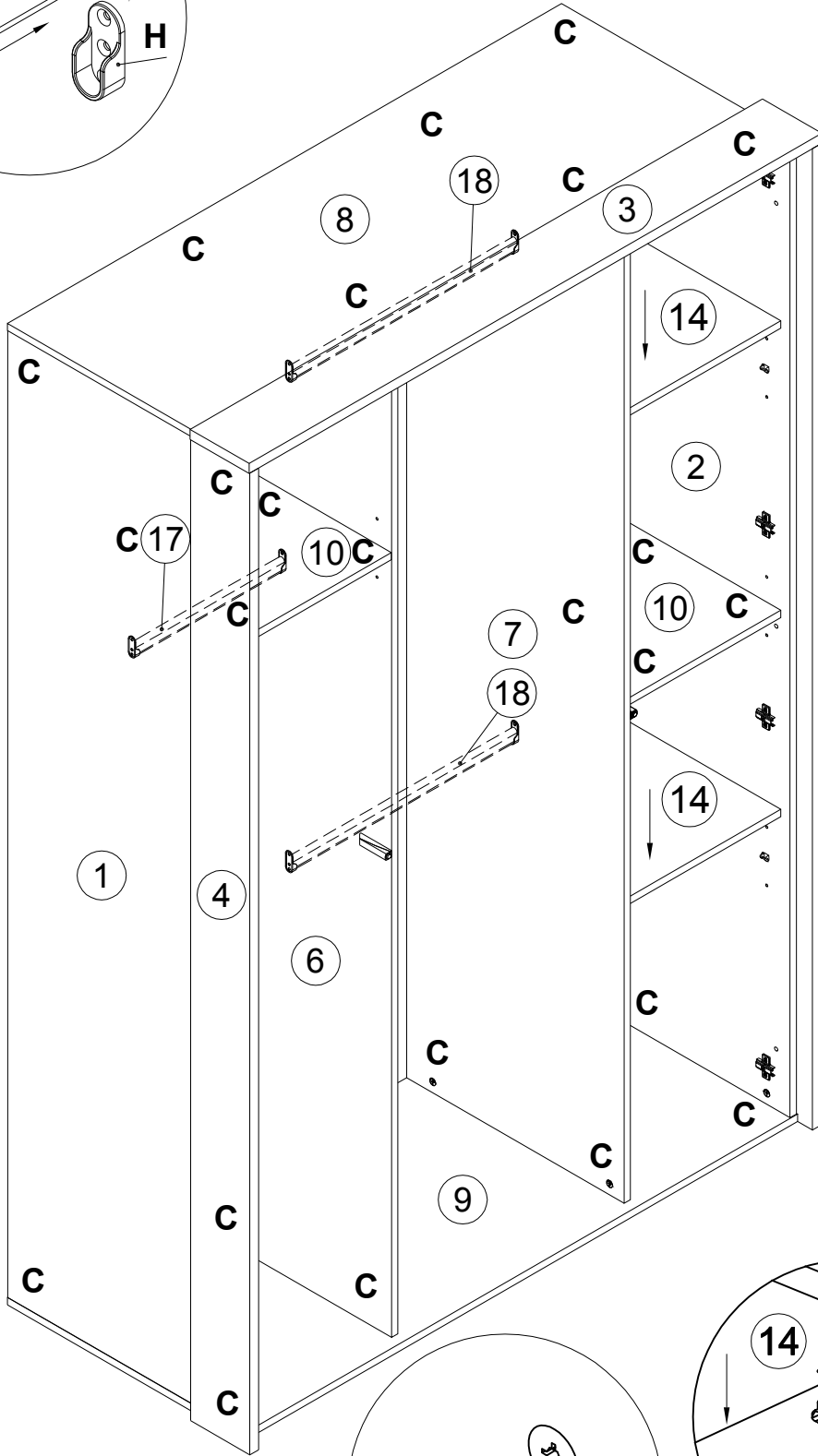
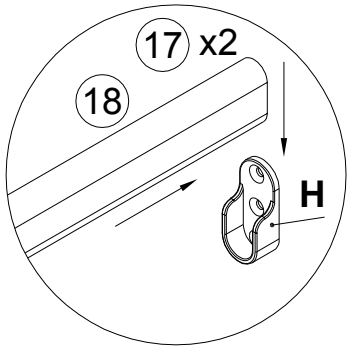
F 135021		x24	F 062367		x12	G 000759		3x20	x36
--------------------	---	------------	--------------------	---	------------	--------------------	---	-------------	------------


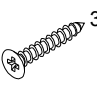


L1=L2







218778	 x1	000762	 3.5x13 x2
--------	---	--------	--

