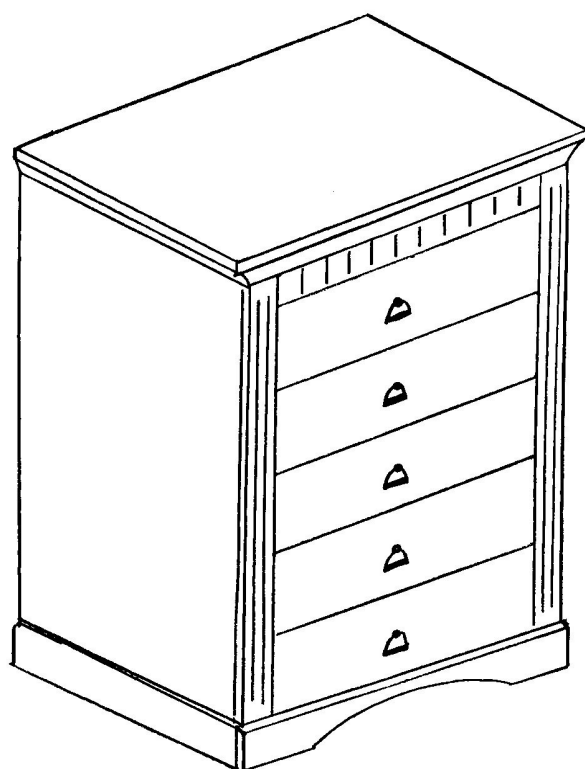


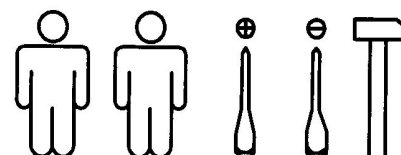
Д.7111-01 Комод "НЕАПОЛЬ"

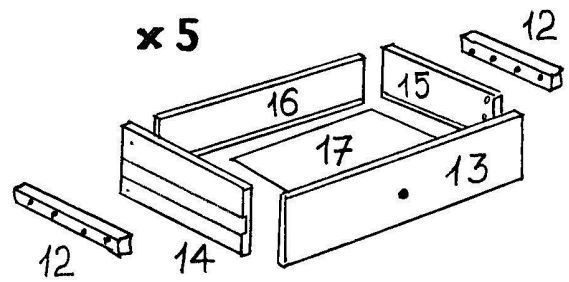
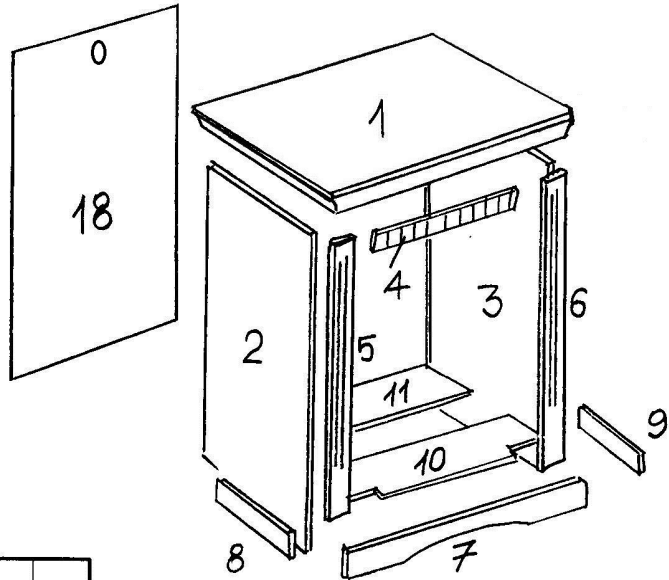


EAC





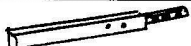
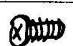
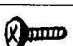

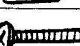
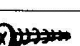
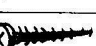
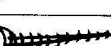

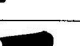
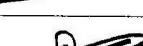
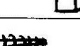
TC BY/112 11.01 TP025 024 00640

1/5

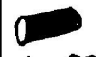



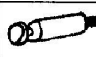
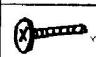




| Nr | Size / Maß (mm) | Qty |
|----|-----------------|-----|
| 1 | 506x392x30 | 1 |
| 2 | 755x350x14 | 1 |
| 3 | 755x350x14 | 1 |
| 4 | 362x44x14 | 1 |
| 5 | 755x44x14 | 1 |
| 6 | 755x44x14 | 1 |
| 7 | 475x68x12 | 1 |
| 8 | 364x68x12 | 1 |
| 9 | 364x68x12 | 1 |
| 10 | 422x 80 x12 | 1 |
| 11 | 422x 80 x12 | 1 |
| 12 | 328x30x24 | 10 |
| 13 | 358x125x14 | 5 |
| 14 | 310x94x12 | 5 |
| 15 | 310x94x12 | 5 |
| 16 | 327x94x12 | 5 |
| 17 | 306x335x4 | 5 |
| 18 | 710x440x4 | 1 |
| | | |
| | | |
| | | |
| | | |
| | | |
| | | |
| | | |
| | | |
| | | |
| | | |

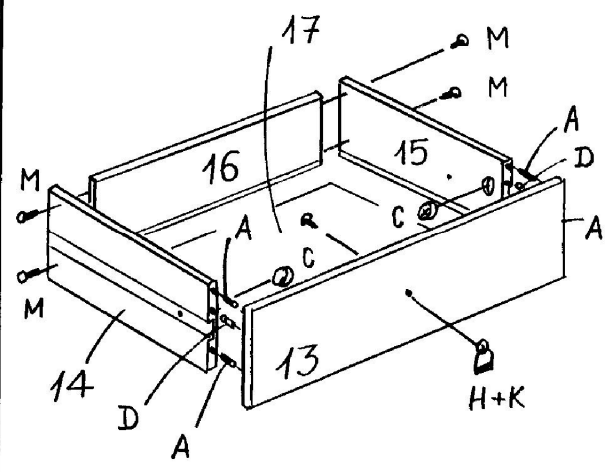
| | | | |
|---|---|--------|----|
| A |  | 8x30 | 50 |
| B |  | 15x9.5 | 20 |
| C |  | 12x10 | 10 |
| D |  | | 30 |
| E |  | | 10 |
| F |  | 5.8x8 | 20 |
| G |  | M4x10 | 10 |
| H |  | | 5 |
| K |  | M4x16 | 5 |
| L |  | 3.5x20 | 4 |
| M |  | 3.5x35 | 20 |
| N |  | 4.0x40 | 20 |
| O |  | | 25 |
| P |  | 6x30 | 2 |
| Q |  | | 1 |
| R |  | 3.5x15 | 1 |
| | | | |
| | | | |
| | | | |
| | | | |
| | | | |
| | | | |
| | | | |
| | | | |
| | | | |

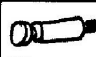


| | |
|--|---|
|  Ax20 |  Mx20 |
|  Cx10 |  Hx5 |
|  Dx10 |  Kx5 |

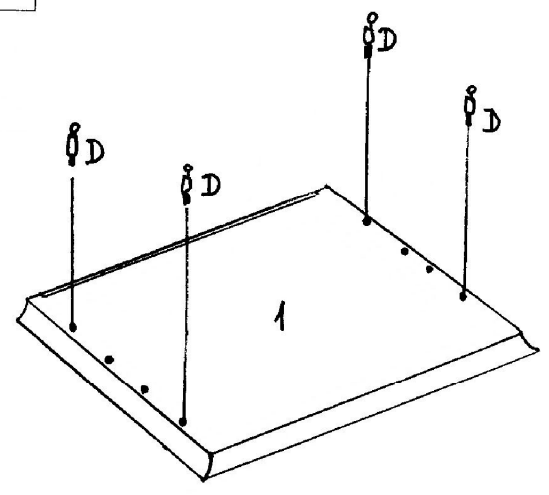
①

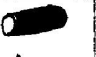
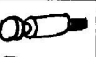


x 5



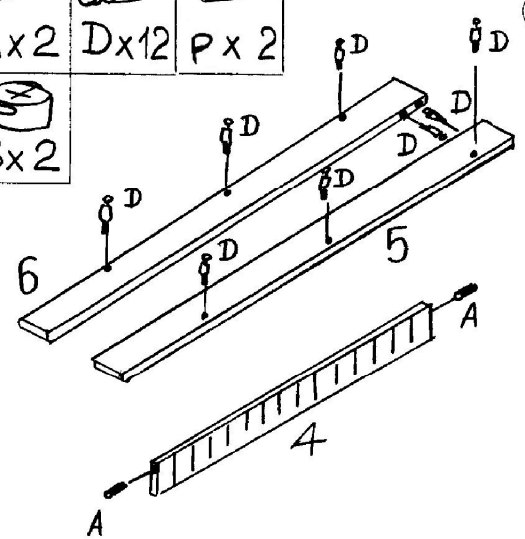
| |
|--|
|  Dx4 |
|--|



②



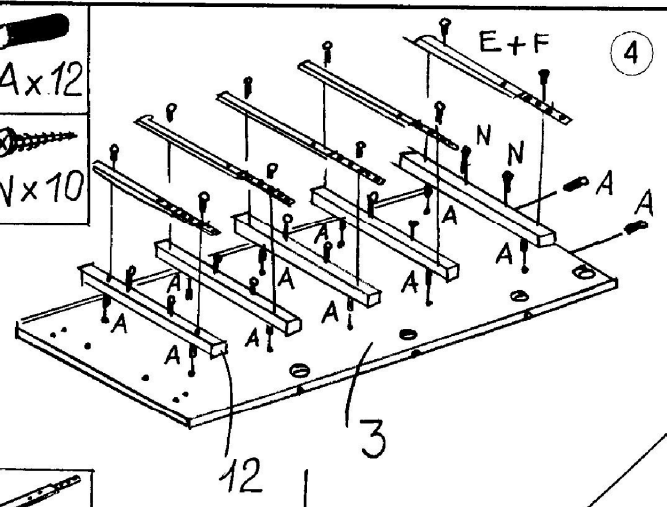
| | | |
|---|--|---|
|  Ax2 |  Dx12 |  Px2 |
|  Bx2 | | |


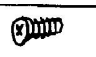
③

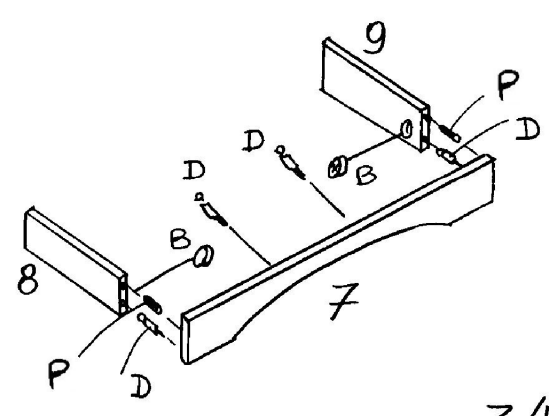


| |
|--|
|  Ax12 |
|  Nx10 |

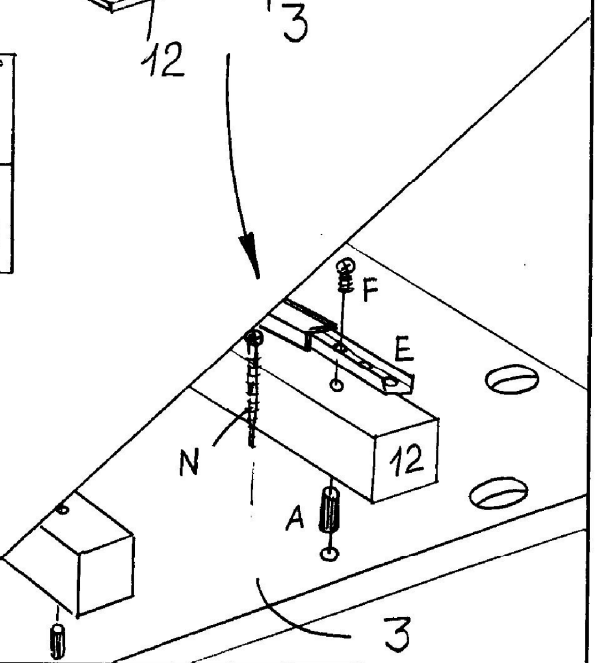
④



| |
|--|
|  Ex5 |
|  Fx10 |

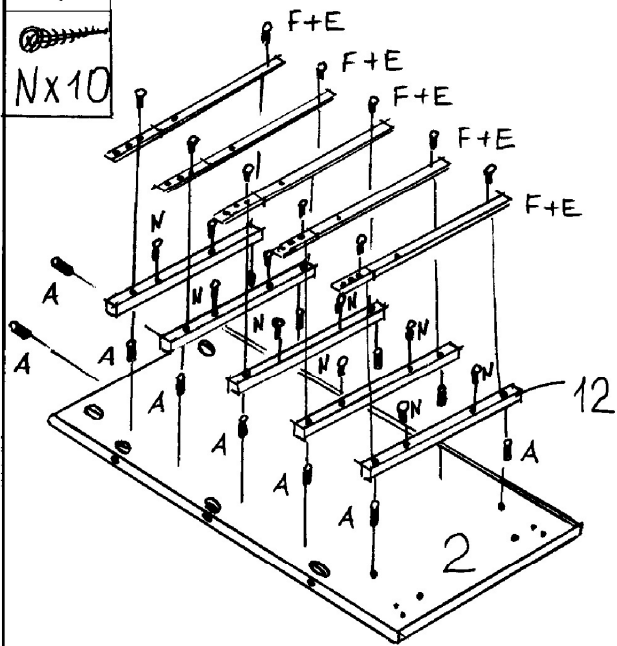


3/5



- Ax12
- Nx10

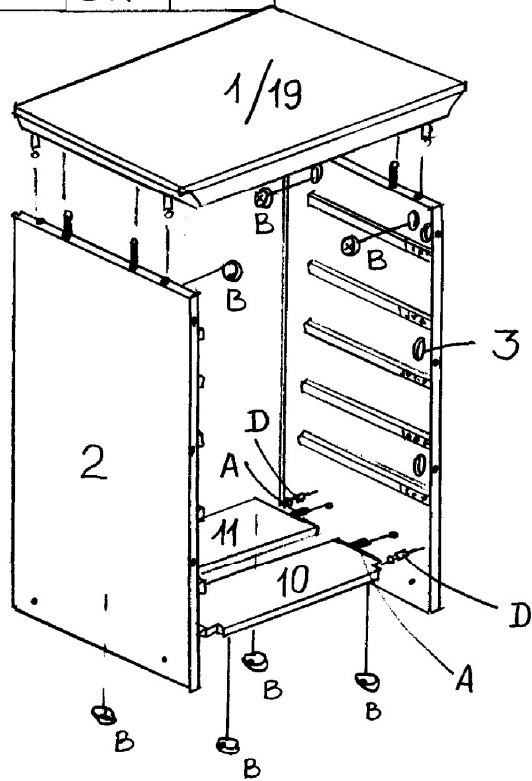
5



- Ex5
- Fx10

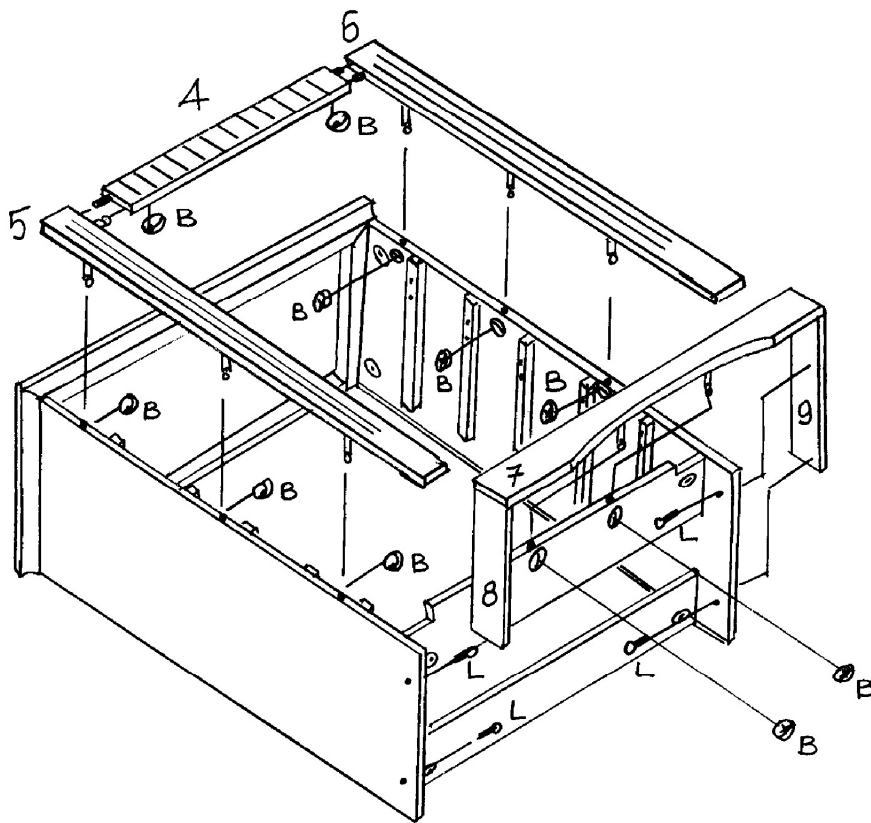
- Ax4
- Bx8
- Dx4

6



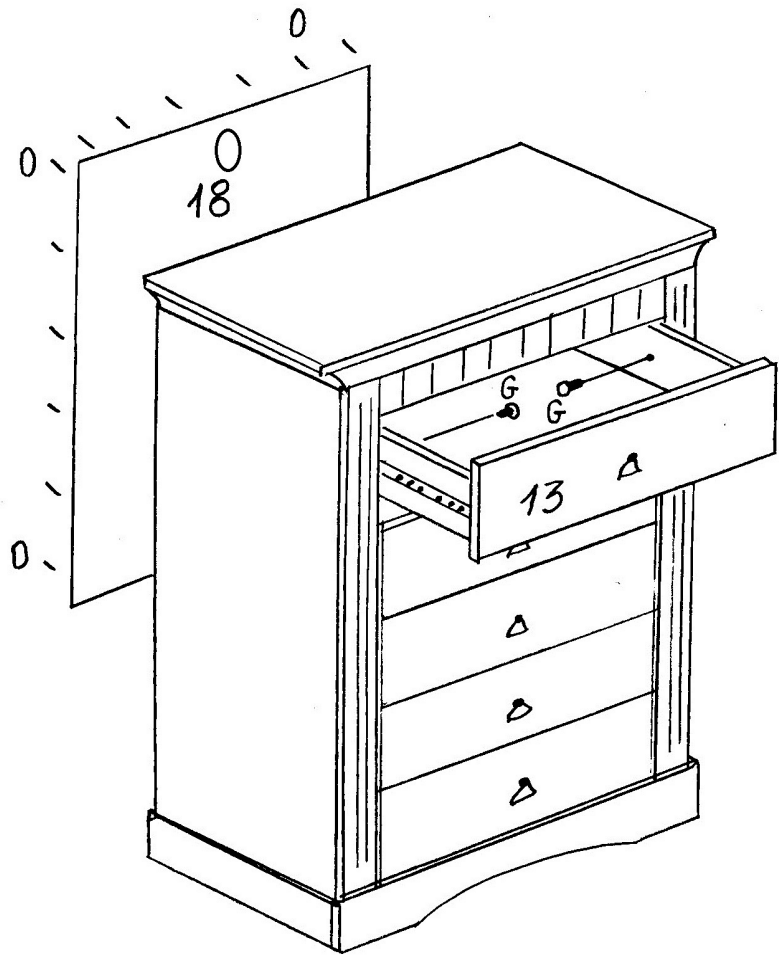
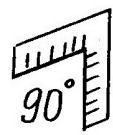
- Bx10
- Lx4

7



A/5

- Gx10
- Ox25



- Qx1
- Rx1

